

Каталог запасных частей Sany SY 35

SY35C5Y3WU(GB)

Hydraulic Excavator

Equipment No. **SY003ACA17738**

wangh2645 2021-10-09

wangh2645 2021-10-09

wangh2645 2021-10-09

wangh2645 2021-10-09

wangh2645 2021-10-09

wangh2645 2021-10-09

wangh2645 2021-10-09

wangh2645 2021-10-09

wangh2645 2021-10-09

wangh2645 2021-10-09

wangh2645 2021-10-09

wangh2645 2021-10-09

Overview

This book provides illustrations and parts listings required to properly identify and order replaceable parts on your Sany machine.

If this book becomes damaged, lost or illegible, request a replacement copy from your Sany distributor.

In case you sell this machine, be sure to give this parts book to the new owner.

Improvements in the design may lead to changes in detail which may not be indicated in this book. Always consult your Sany distributor for the latest available information on your equipment or if you have questions regarding information in this book.

Storing this parts book

This publication applies only to this specific machine and should not be used with any other machines.

Always keep this book available for reference.

Contact Details

Sany Industrial Park, Economic and Technology Development Zone, Kunshan, Jiangsu, China 215300

Service Hotline: 4008 28 2318

E-mail: crd@sany.com.cn

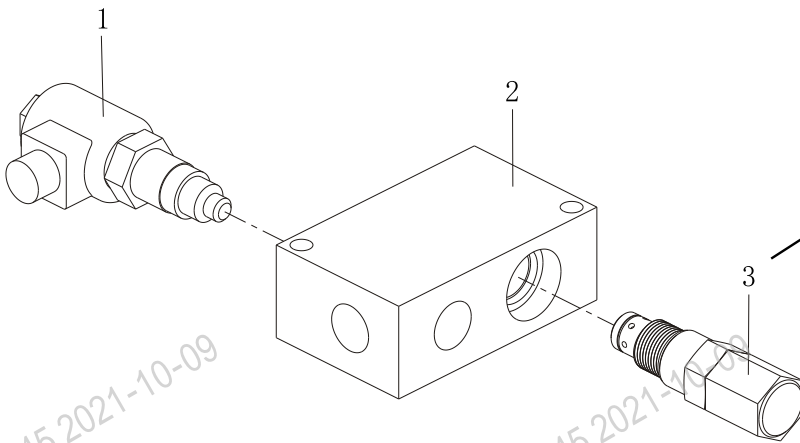
Website: <http://www.sanyglobal.com>

Sany Group Service Information System

<http://sis.sanygroup.com>

A810201021318 Switch Valve Assembly

Page header with parts code, and parts description



Line-art illustration with
callout numbers

Page footer with page number, chapter title, machine model and product name

Page header with parts code, and parts description

INDEX: that matches
callout numbers on previous
illustration page

SEE PAGE: for page information
of the part or assembly

INDEX	PART NO.	DESCRIPTION	QTY	SEE PAGE
1	B220401000459	Valve Assembly, Solenoid	1	
2	A820103010415	Change Valve Block, Cooling Oil Motor	1	
3	B220400000083	Relief Valve	1	

PART NO.: to be used along
with DESCRIPTION to identify
the part or assembly

DESCRIPTION: to be used
along with PART NO. to
identify the part or assembly

QTY: it indicates the
number of each part
used in this assembly

Page footer with page number, chapter title, machine model and product name

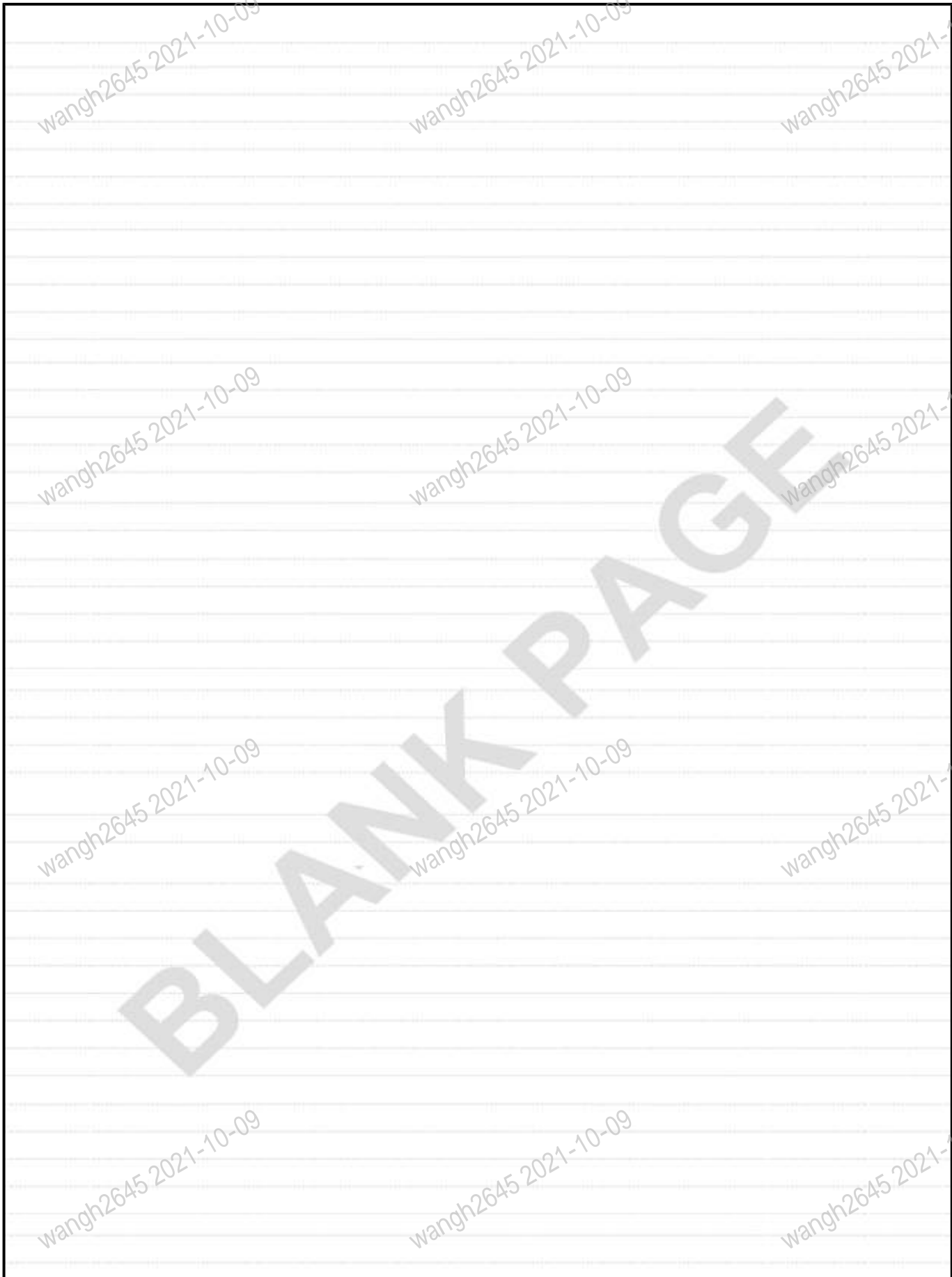


Table of Contents

Group 1 SY35C5Y3WU(GB) Hydraulic Excavator	1-1
SSY100000201 SY35C5Y3WU(GB) Hydraulic Excavator.....	1-2
Group 2 Electrical system	2-1
SSY005434139 Electrical system	2-2
Group 3 CAB	3-1
14500518 CAB	3-2
60232041 cab	3-6
60166748 rearview	3-14
130901000064B007 Front glass assembly	3-16
60248579 door assembly	3-18
60248560 windscreen wiper assembly	3-20
14421758 base sponge assembly	3-22
14095331 seat base	3-24
13967294 Running Control Mechanism	3-26
13603240 Pedal ASSY	3-28
13603236 Pedal ASSY	3-30
60282632 right armrest boxes assembly	3-32
60223376 Left Armrest Box ASSY	3-34
13603246 Pendulum Pedal ASSY	3-36
Group 4 Power System	4-1
SSY005475305 Power System	4-2
13103250 fuel and throttle control ststem	4-4
14413671 plastic fuel tank assy.....	4-6
60277714 Oil Tank.....	4-8
13103254 cooling system.....	4-10
60233037 radiator.....	4-12
13103262 intake and exhaust system	4-14
60114706 air cleaner	4-16
14500011 transmission and shock mitigation system	4-18
Group 5 Coating.....	5-1
SSY005121077 Coating	5-2
Group 6 Work Device	6-1
SSY005434134 Work Device	6-2
13070069 Work device hydraulic Tube	6-14
13019985 Movable boom cylinder	6-18

13048968 Cylinder, arm.....	6-20
14185680 Bucket Oil Cylinder	6-22
SSY004695251 connectin grod assembly.....	6-24
13075553 Bucket.....	6-26
Group 7 Slewing devic	7-1
SSY005434132 Slewing devic.....	7-2
13134502 air condition.....	7-6
61017617 Air Condition	7-8
61017789 HVAC	7-10
14502462 Pilot pipeline.....	7-12
60046293 Pilot Oil Supplyer.....	7-36
B229900000063 High Pressure Filter	7-38
60343358 Valve, Pilot.....	7-40
60242507 Right Pilot Control Valve Assembly	7-44
60242506 Left Pilot Control Valve Assembly.....	7-46
60281974 Pilot-control Valve	7-48
14502460 Main pipeline.....	7-50
150601080001 Multiple valve	7-68
150601080022B001 Inlet Section Assy	7-70
150601080022B002 Bucket Section Assy.....	7-72
150601080022B003 Arm Section Assy.....	7-74
150601080022B004 Boom Section Assy	7-76
150601080022B005 Aux Section Assy	7-78
150601080022B006 run-out Section Assy	7-80
150601080022B007 Swing Section Assy	7-82
150601080022B008 Left Travel Section Assy	7-84
150601080022B009 Right Travel Section Assy.....	7-86
150601080022B010 Bulldozing shovel Section Assy.....	7-88
60166861 Plunger Pump.....	7-90
13060533 hydraulic oil tank assy.....	7-94
60240905 holding valve	7-96
13048278 Cylinder, boom swing	7-98
60167754 Reducerassembly	7-100
60258140 Reducer components	7-102
60258141 Motor components	7-104
60237031 Breather Valve	7-106
13097119 sealing board assembly.....	7-108
Group 8 counterweight assembly	8-1
13057242 counterweight assembly	8-2
Group 9 covering parts	9-1
14500519 covering parts	9-2
13088507 general assembly of front engine hood.....	9-8
14093926 general assembly of left door.....	9-10

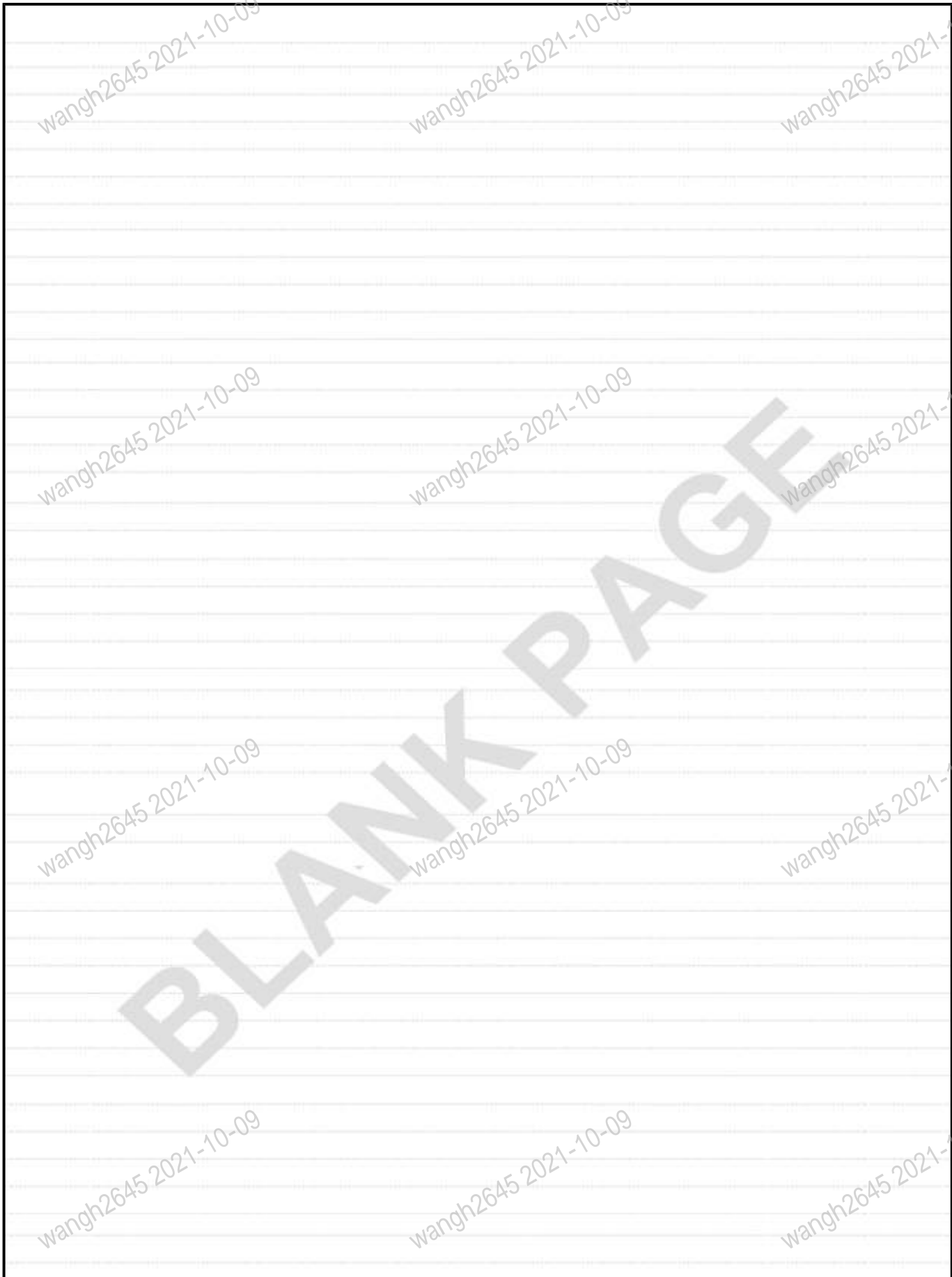
14506452 bracket assem.	9-12
13088478 general assembly of rear hood.....	9-14
13088446 general assembly of right door.....	9-16

Group 10 Travel device 10-1

13612674 Travel device.....	10-2
12900566 Slewing Bearing	10-8
13063324 undercarriage hydraulic system.....	10-10
13239088 Cylinder, dozer.....	10-18
60167753 Reducerassembly	10-20
60257715 HYDRAULIC MOTOR	10-22
60258142 Reducer components	10-24
60167638 centerswiveljoint.....	10-26
SSY004699351 Dozer Blade	10-28
60181276 Tensioner AS	10-30

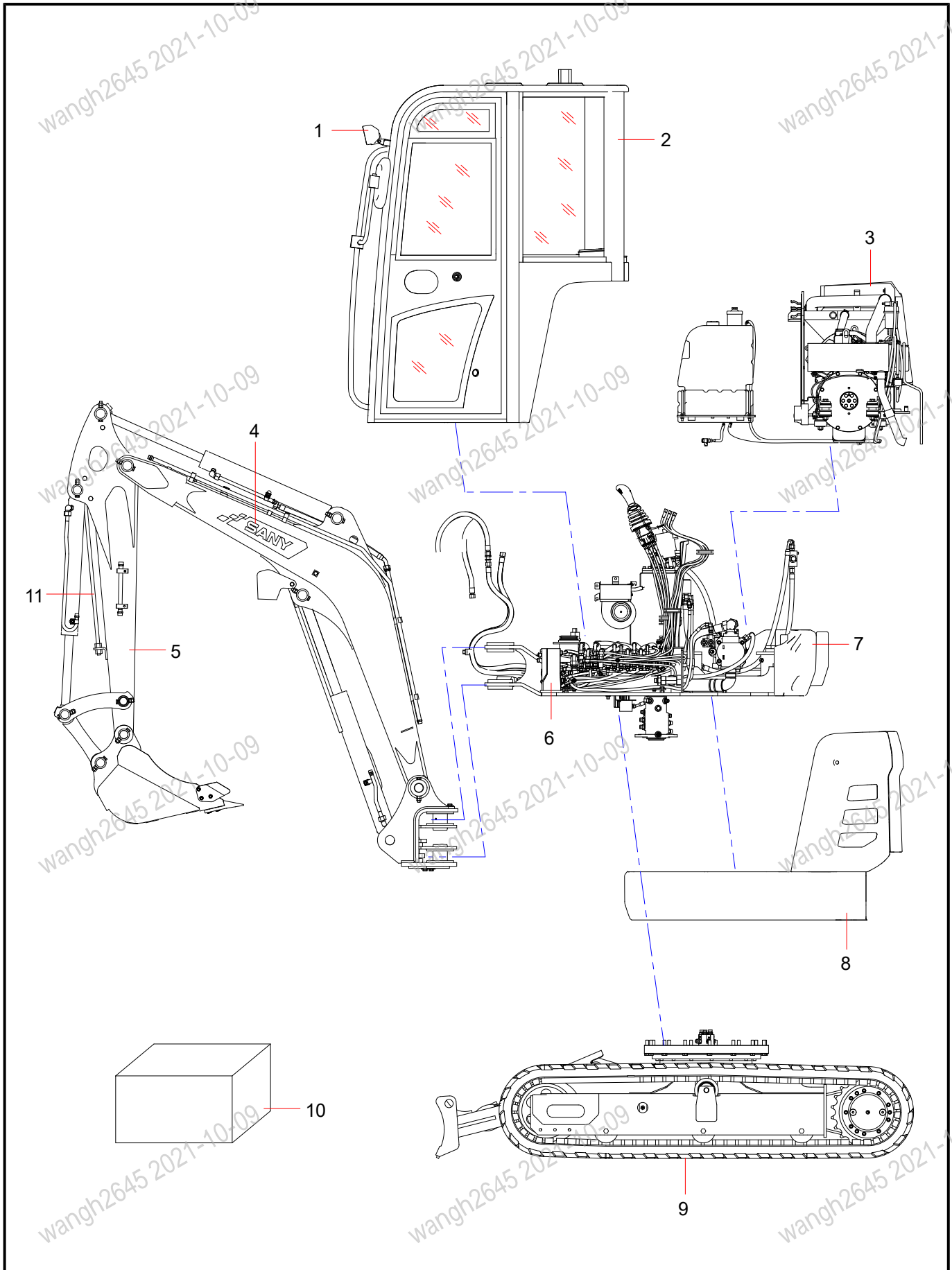
Group 11 Attached accessories 11-1

SSY005470541 Attached accessories	11-2
14042474 Accompanying tools	11-4
A290000000155 Toolbox, portable	11-6

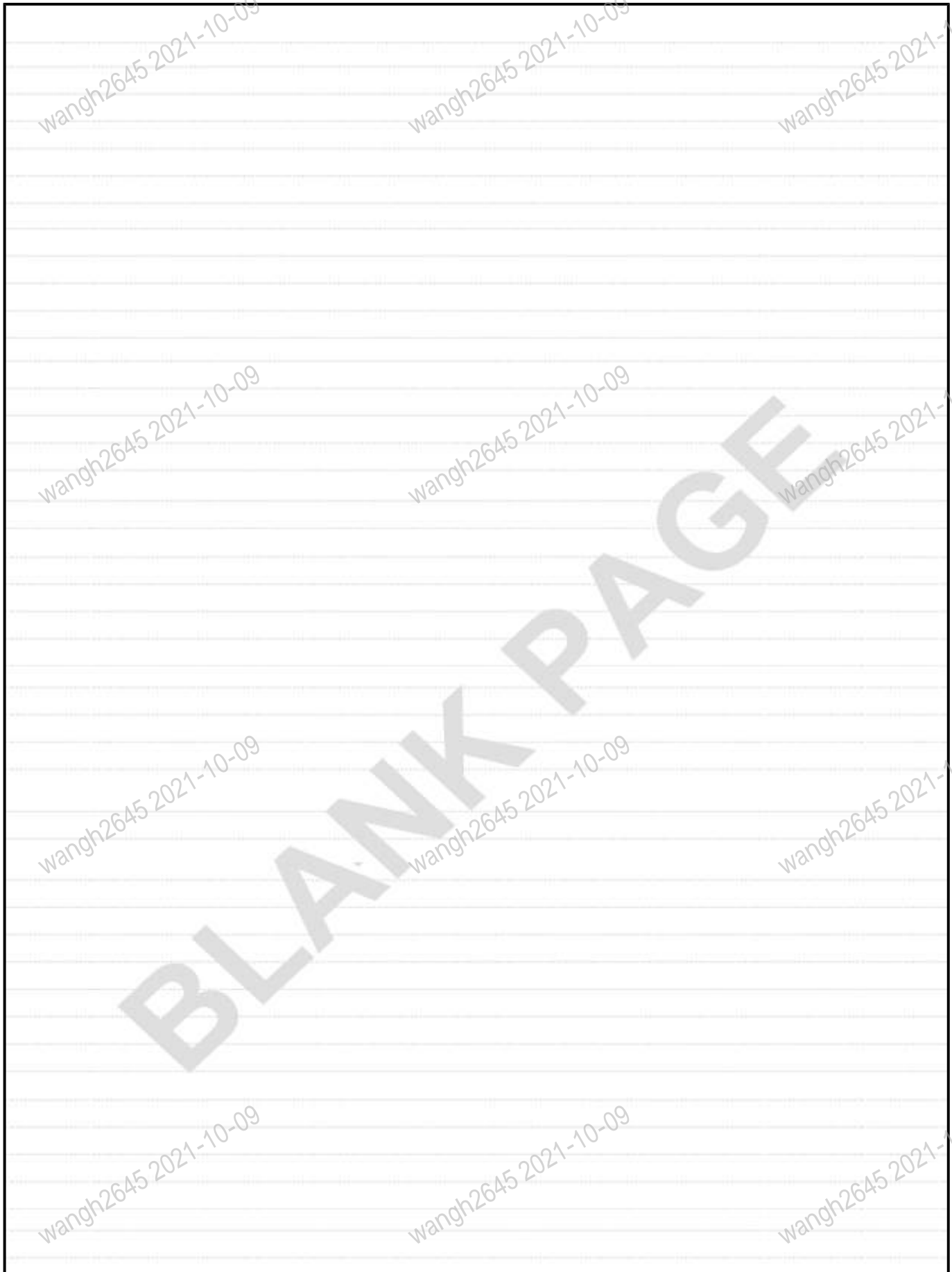


Group 1

SY35C5Y3WU(GB) Hydraulic Excavator

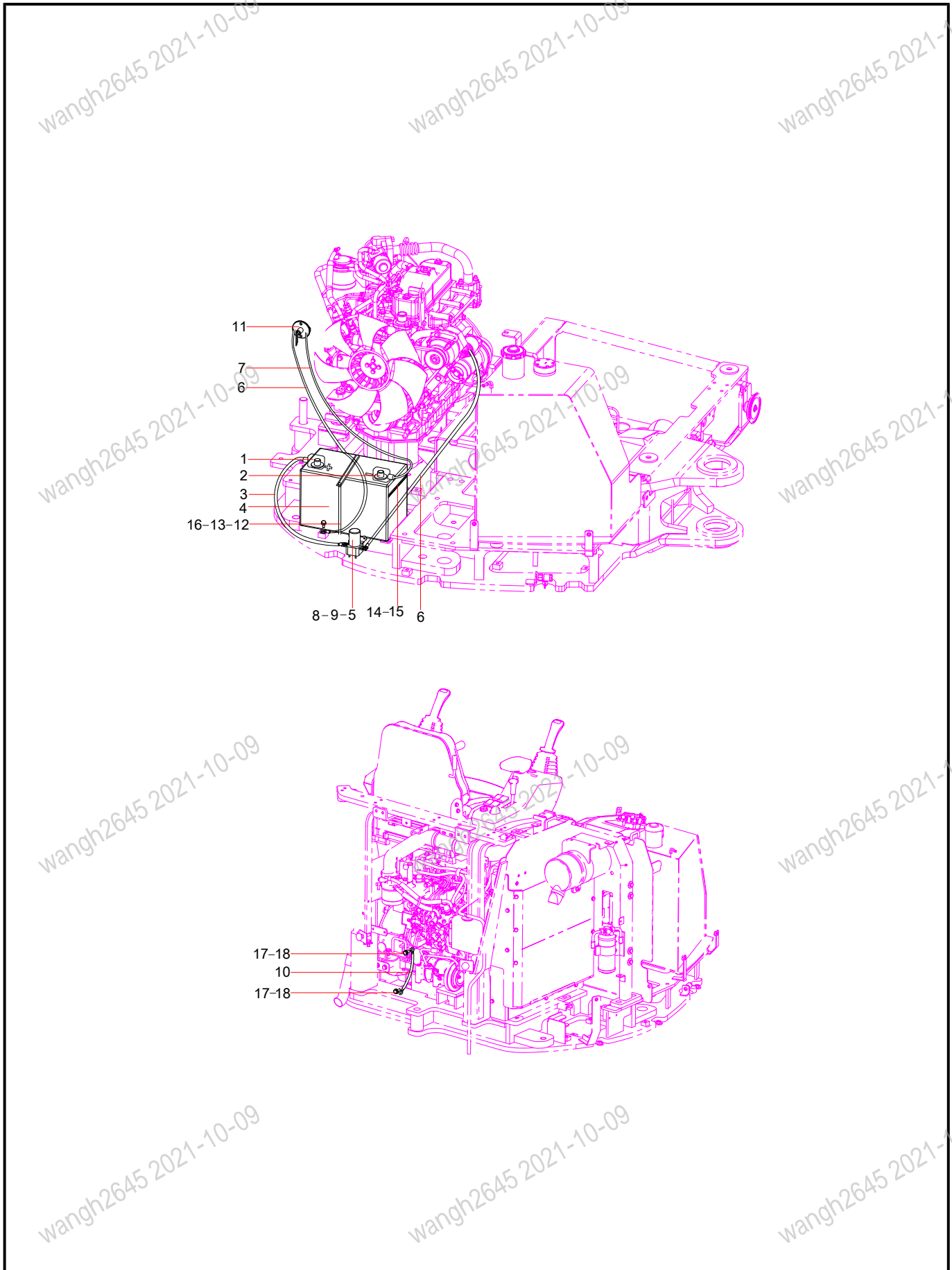


INDEX	PART NO.	DESCRIPTION	QTY	SEE PAGE
1	SSY005434139	Electrical system	1	2-2
2	14500518	CAB	1	3-2
3	SSY005475305	Power System	1	4-2
4	SSY005121077	Coating	1	5-2
5	SSY005434134	Work Device	1	6-2
6	SSY005434132	Slewing devic	1	7-2
7	13057242	counterweight assembly	1	8-2
8	14500519	covering parts	1	9-2
9	13612674	Travel device	1	10-2
10	SSY005470541	Attached accessories	1	11-2

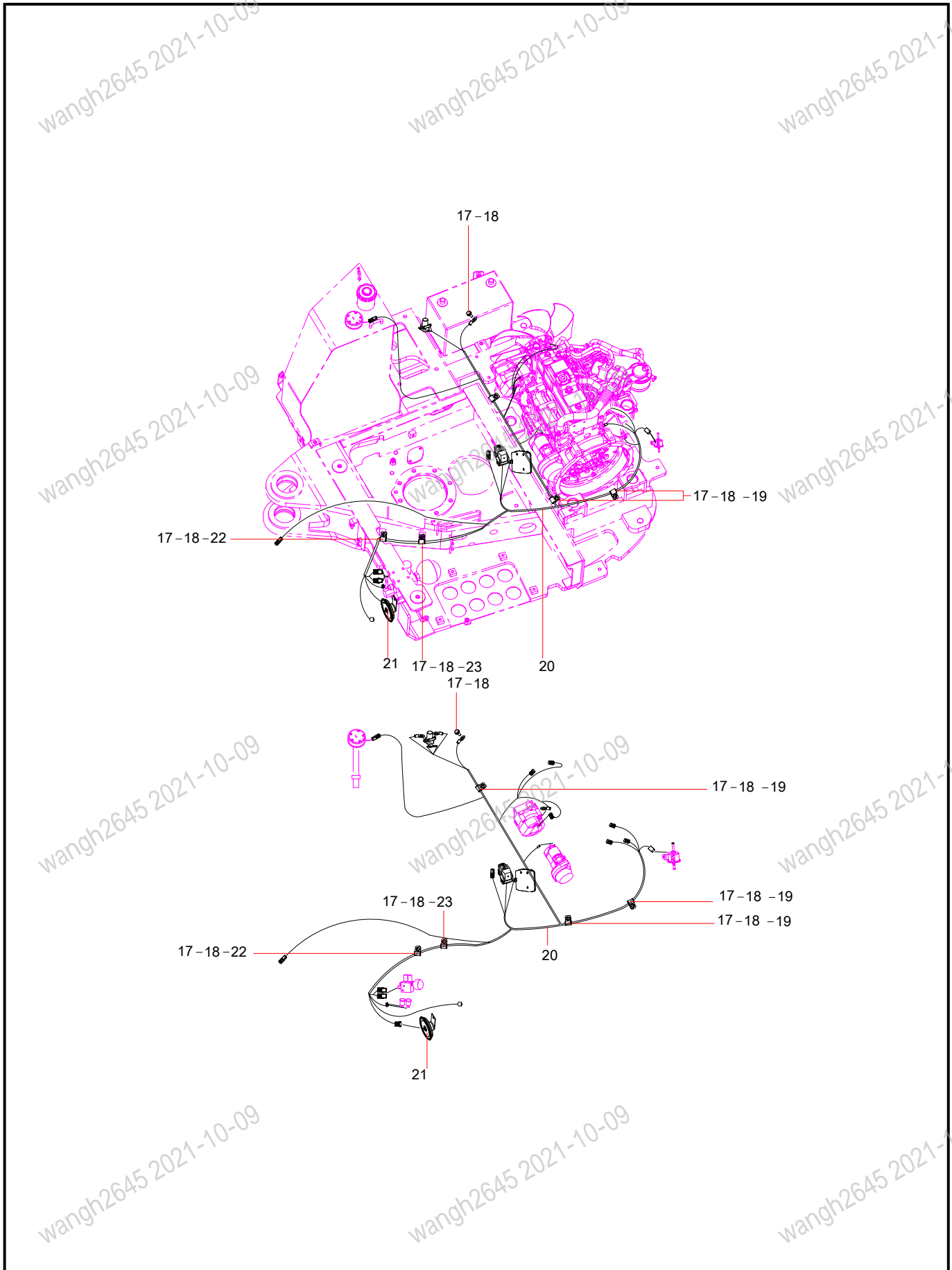


Group 2

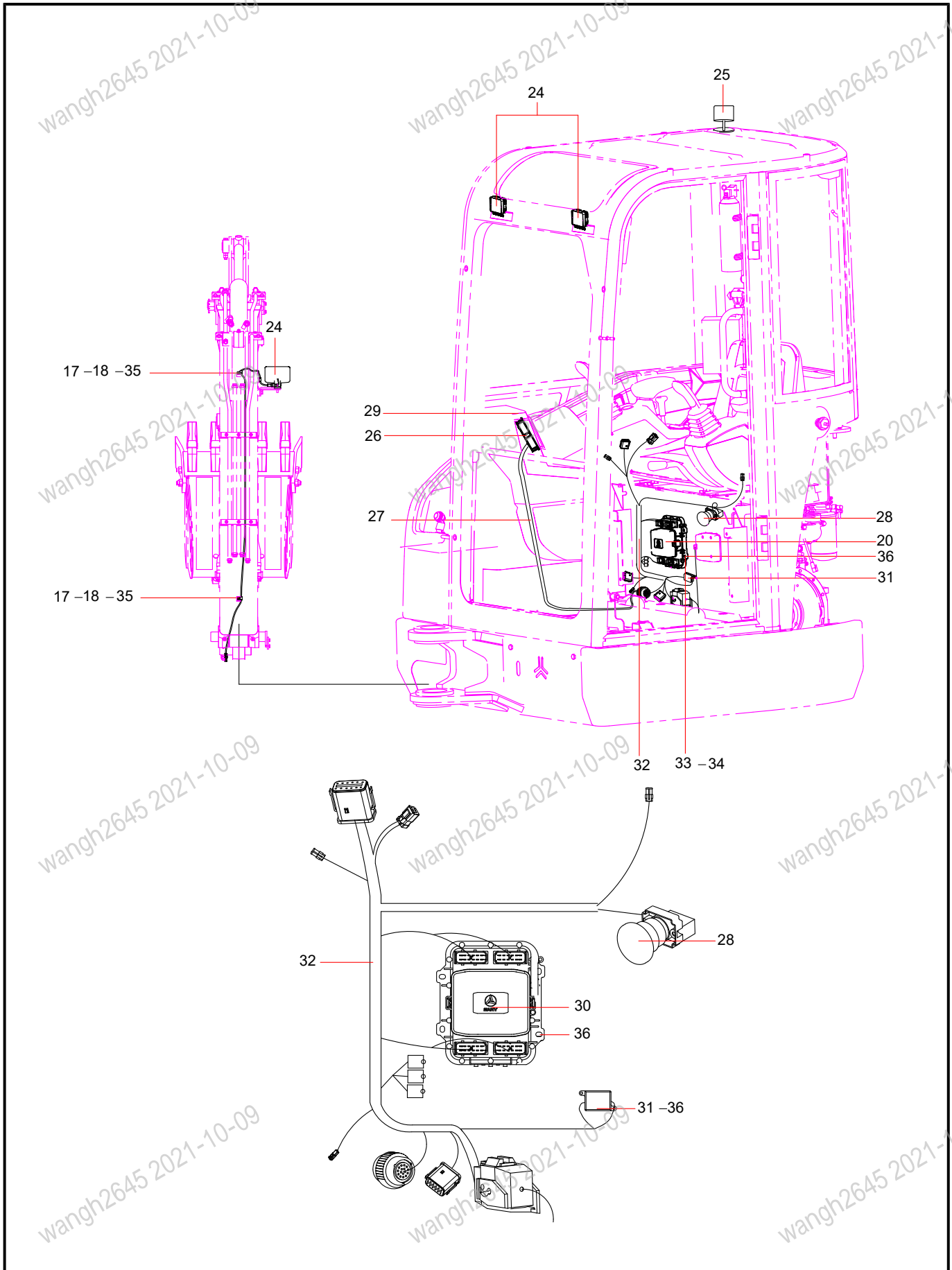
Electrical system



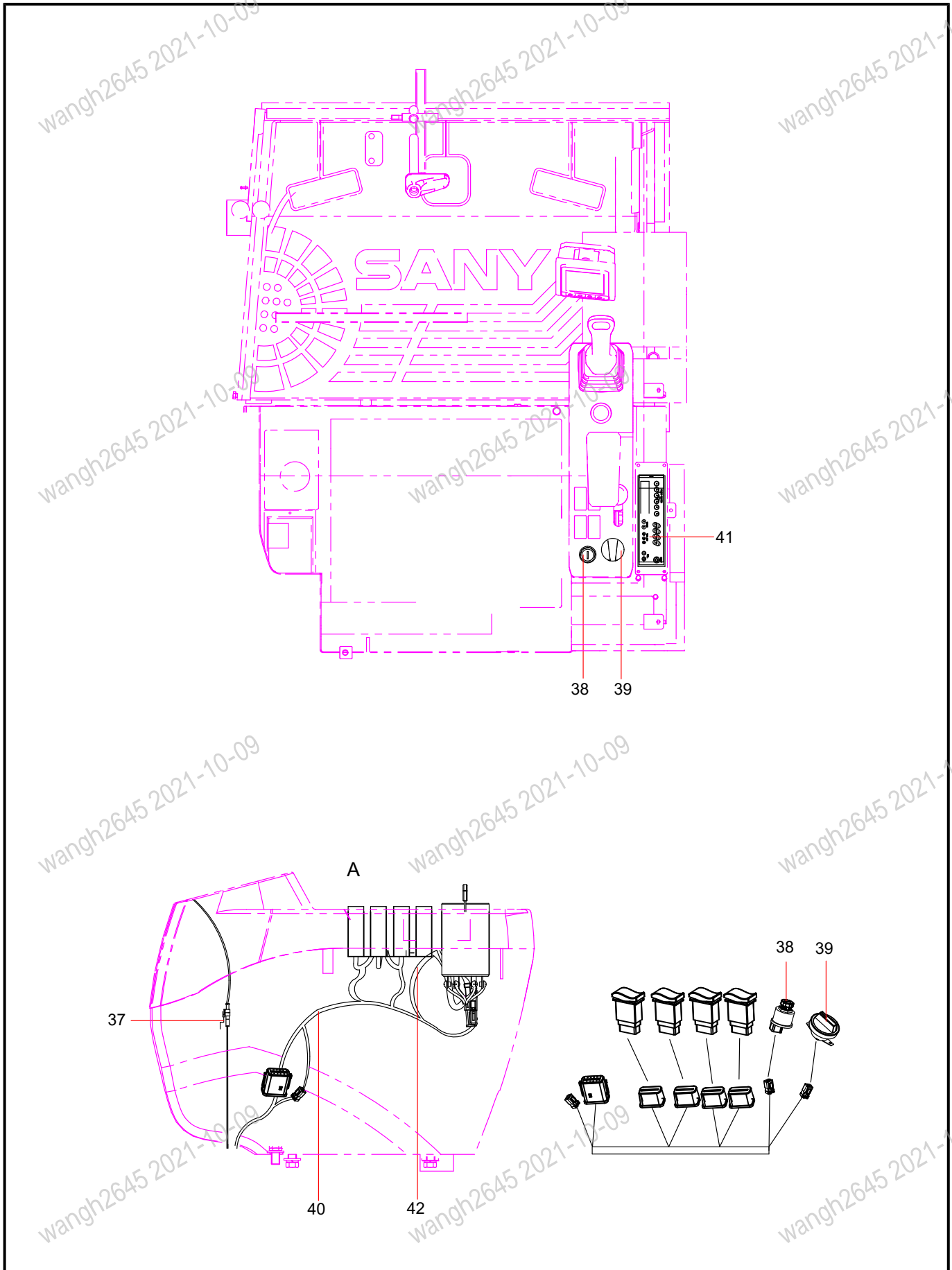
INDEX	PART NO.	DESCRIPTION	QTY	SEE PAGE
1	60013322	Terminal Group, Type-A Battery Positive	1	
2	60013321	Terminal Group, Type-A Battery Negative	1	
3	60193169	Power Line	1	
4	B24220000026	Storage Battery	1	
5	60212612	Dc Contactor	1	
6	60215132	Power Supply Line	1	
7	13214221	Power line	1	
8	24000630	Washer	4	
9	24000632	Washer	8	
10	60018110	Power supply harness	1	
12	13091125	Battery Support	1	
13	60202078	Cluster Fixed Lace	10	
14	13091123	Battery Binder Plate	1	
15	13091122	Battery Binder Plate	1	
16	10569316	Battery Layering	4	
17	A210111000012	Bolt	20	
18	60060546	Washer	23	



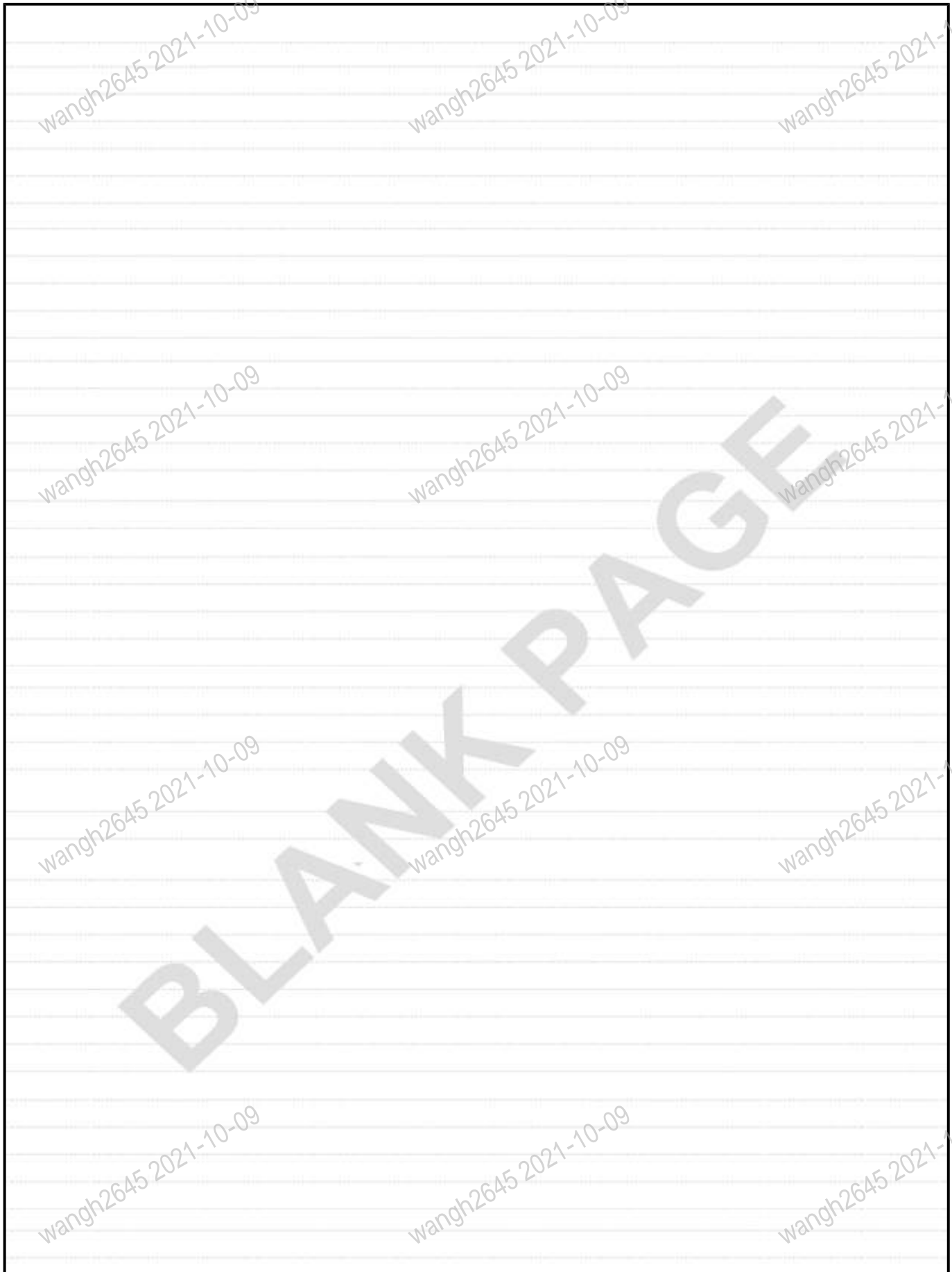
INDEX	PART NO.	DESCRIPTION	QTY	SEE PAGE
19	60086354	Clamp	3	
20	13072793	Vehicle body harness	1	
21	60211509	Horn	1	
22	60083322	Clamp	1	
23	60086353	Wire Clamp	1	



INDEX	PART NO.	DESCRIPTION	QTY	SEE PAGE
24	60143661	Headlight	3	
26	13898611	Sany Encourage Control Display	1	
27	13071903	harness of display	1	
28	B240200000059	Emergency Button	1	
30	12824424	Integrated Box	1	
31	A241300000059	Fuse Housing	1	
32	13072603	Driver's Cab Harness	1	
33	A210111000343	Bolt	5	
34	24000633	Washer	5	
36	A210210000030	Screw	4	

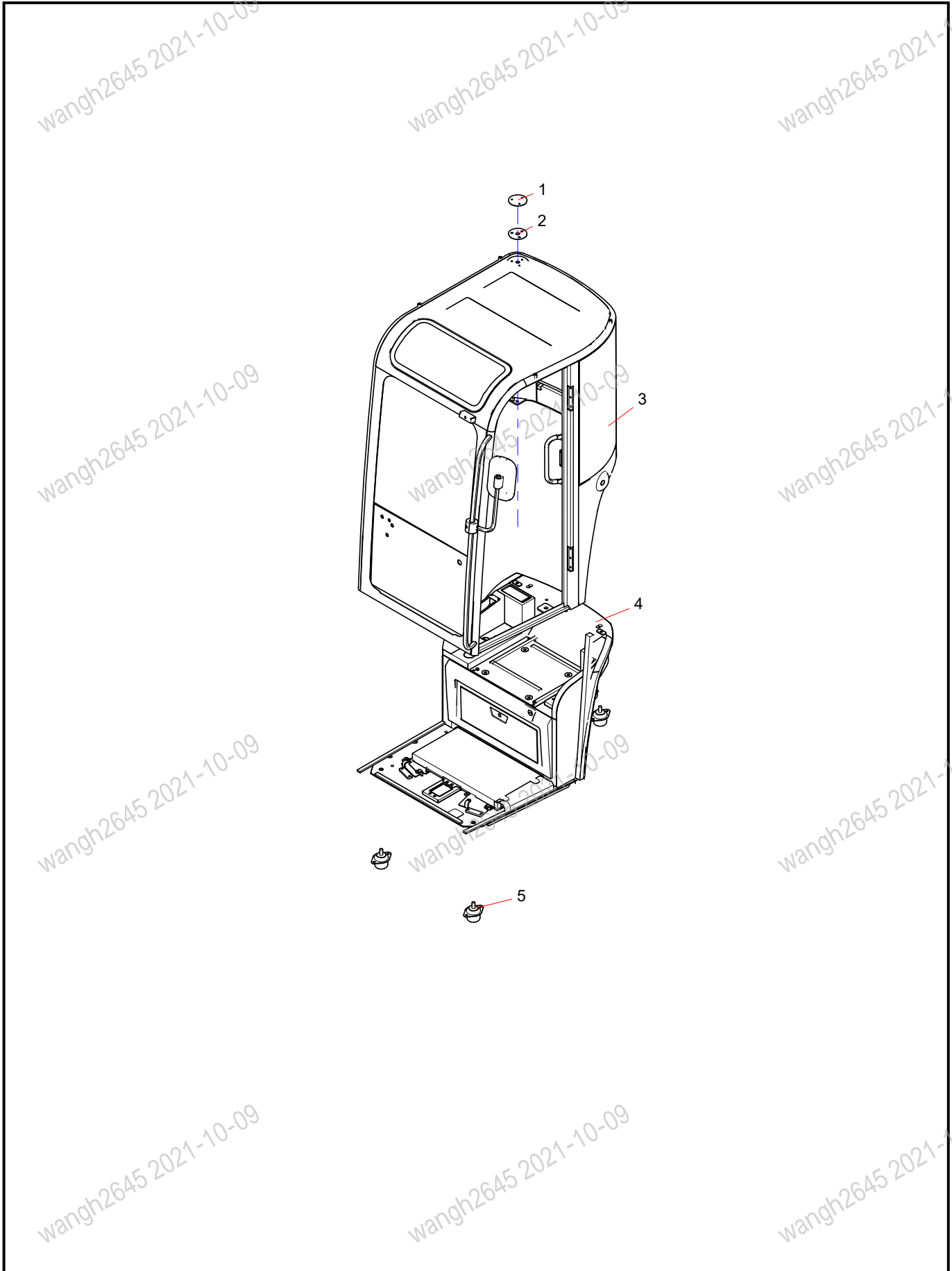


INDEX	PART NO.	DESCRIPTION	QTY	SEE PAGE
37	60041902	90 Degree Metal Mounting Bracket	2	
38	60218598	Ignition Switch	1	
39	60236996	Knob switch	1	
40	13072754	Control harness	1	
41	61030659	Radio	1	

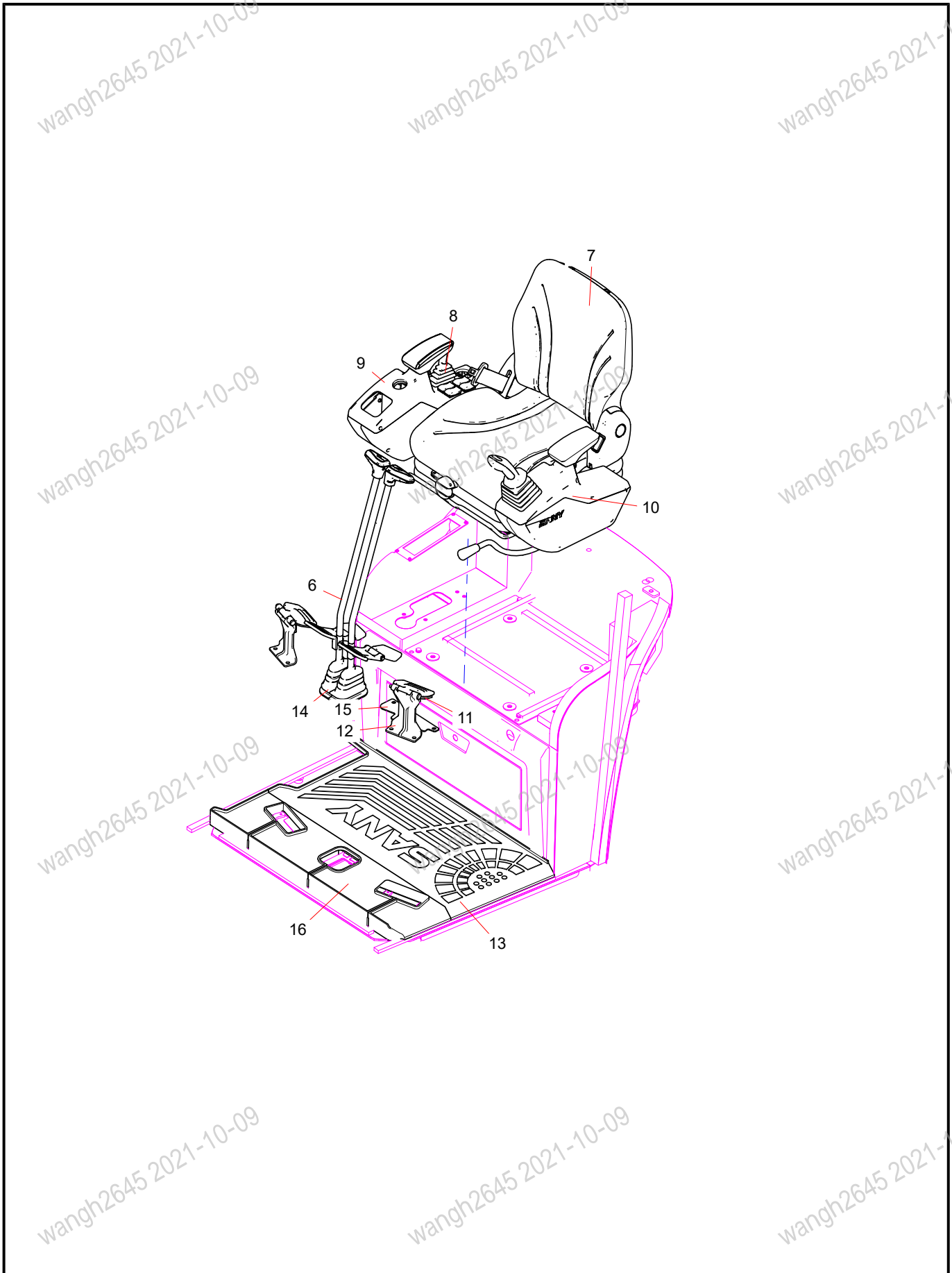


Group 3

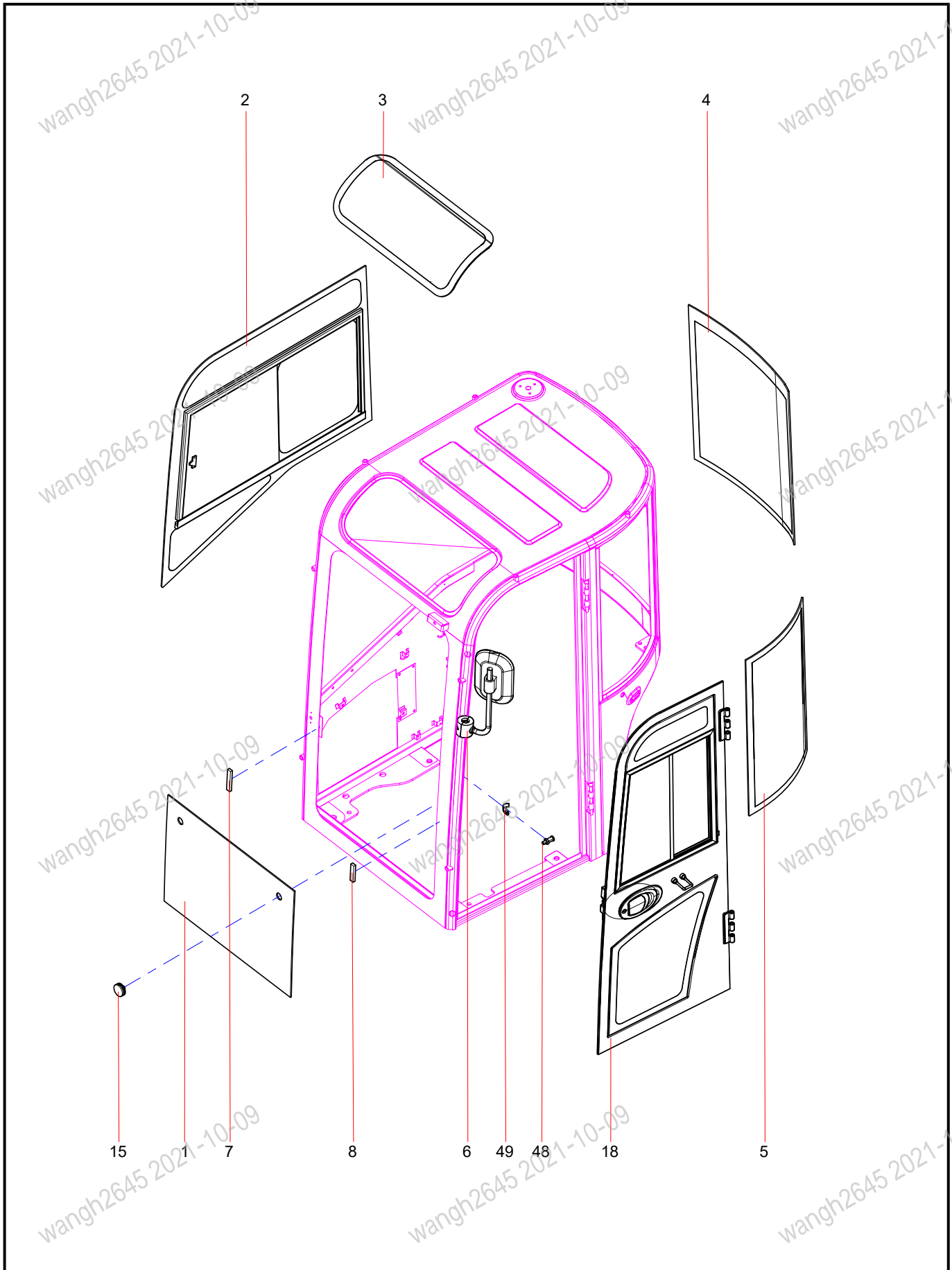
CAB



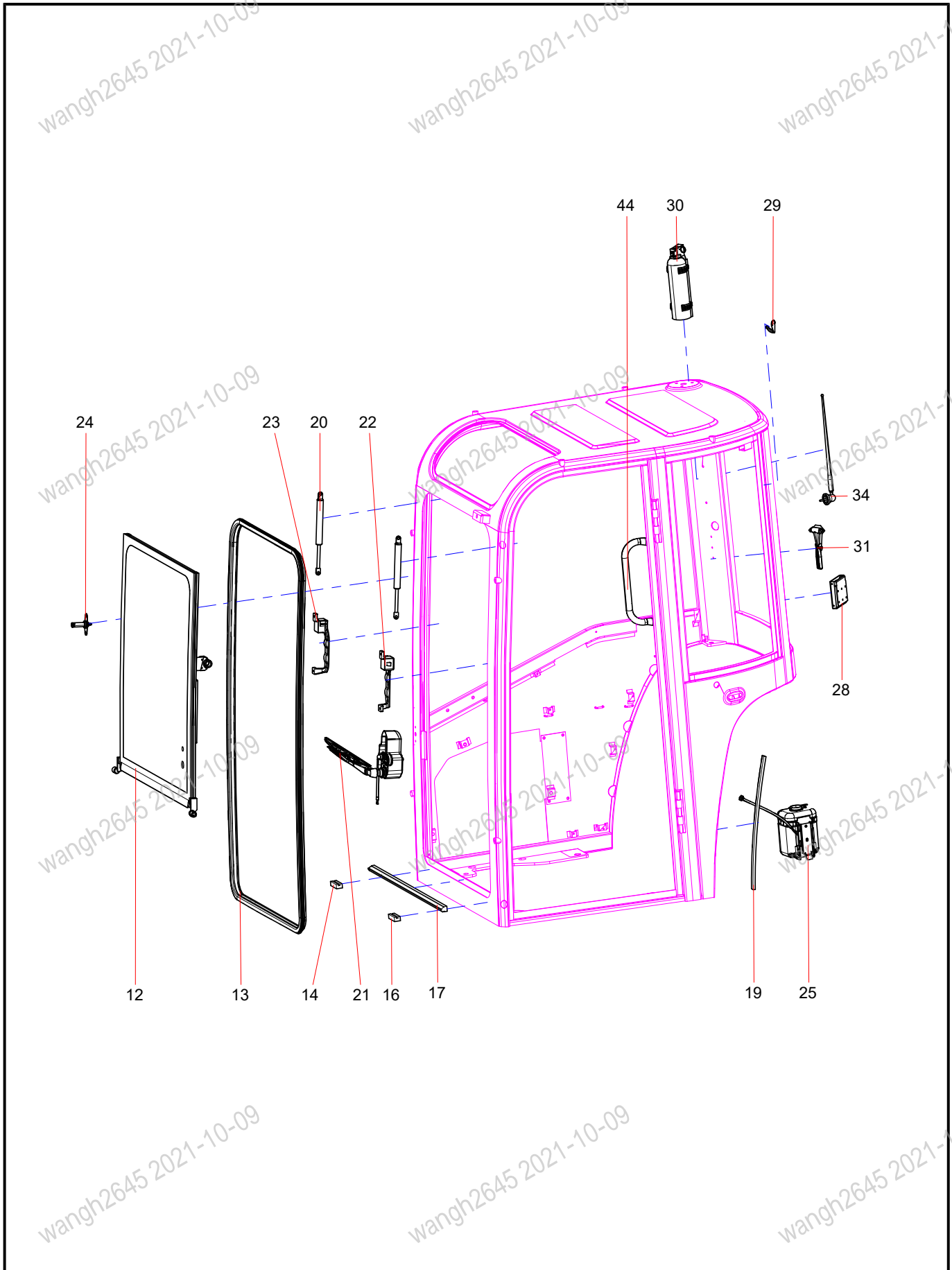
INDEX	PART NO.	DESCRIPTION	QTY	SEE PAGE
1	13477462	cab top cover plate	1	
2	13684419	Waterproof Rubber	1	
3	60232041	cab	1	3-6
4	14421758	base sponge assembly	1	3-22
5	131602000021A	damper	4	



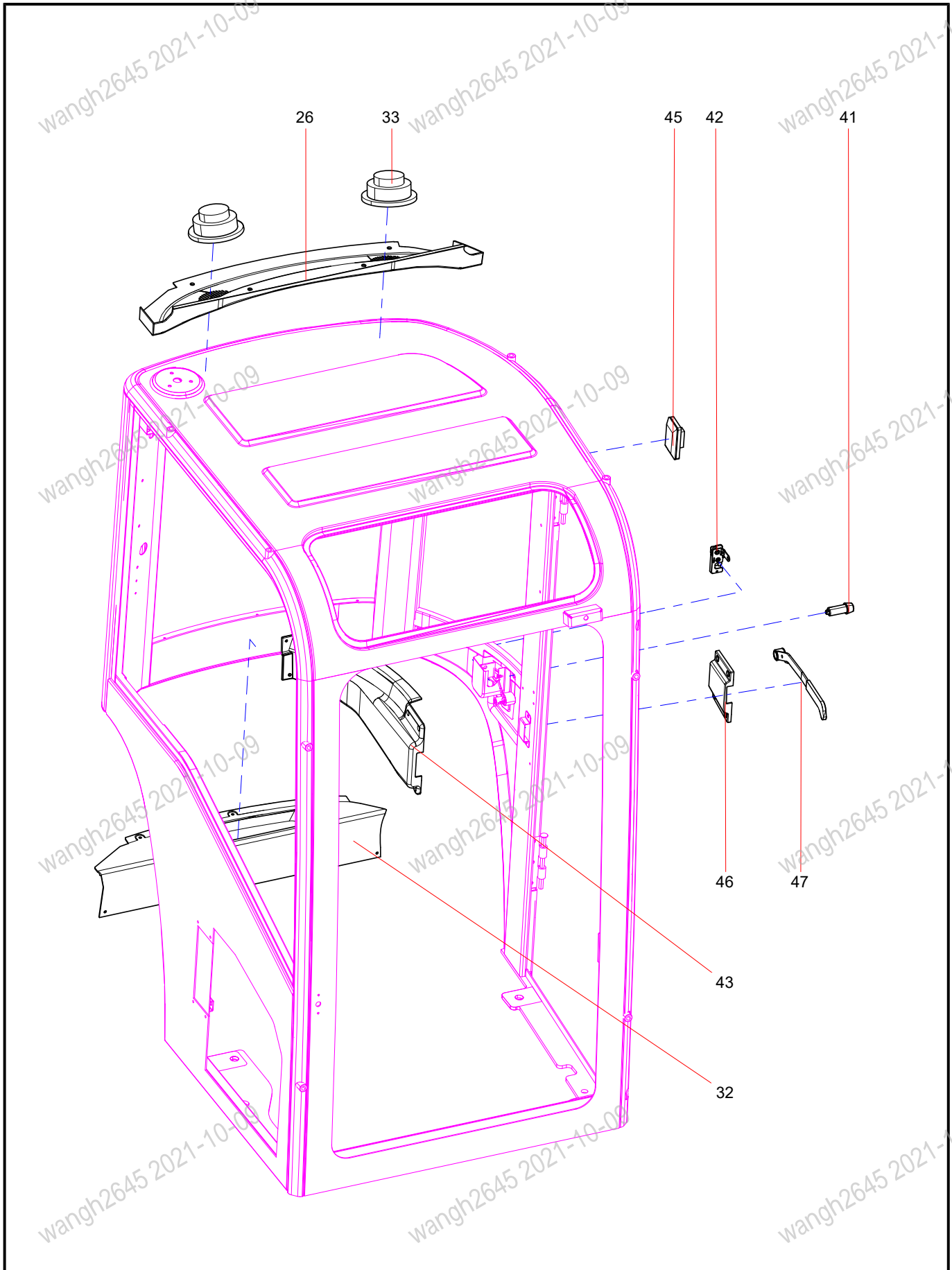
INDEX	PART NO.	DESCRIPTION	QTY	SEE PAGE
6	13967294	Running Control Mechanism	1	3-26
7	130903000041A	seat	1	
8	13618983	bulldozing shovel protective sleeve	1	
9	60282632	right armrest boxes assembly	1	3-32
10	60223376	Left Armrest Box ASSY	1	3-34
11	13845262	run-out footplate	2	
12	13603246	Pendulum Pedal ASSY	2	3-36
13	13140255	back rubber cushion	1	
14	13116120	Rubber Protective Sleeve Component	1	
15	14506166	connecting board	1	
16	13664659	front rubber cushion	1	



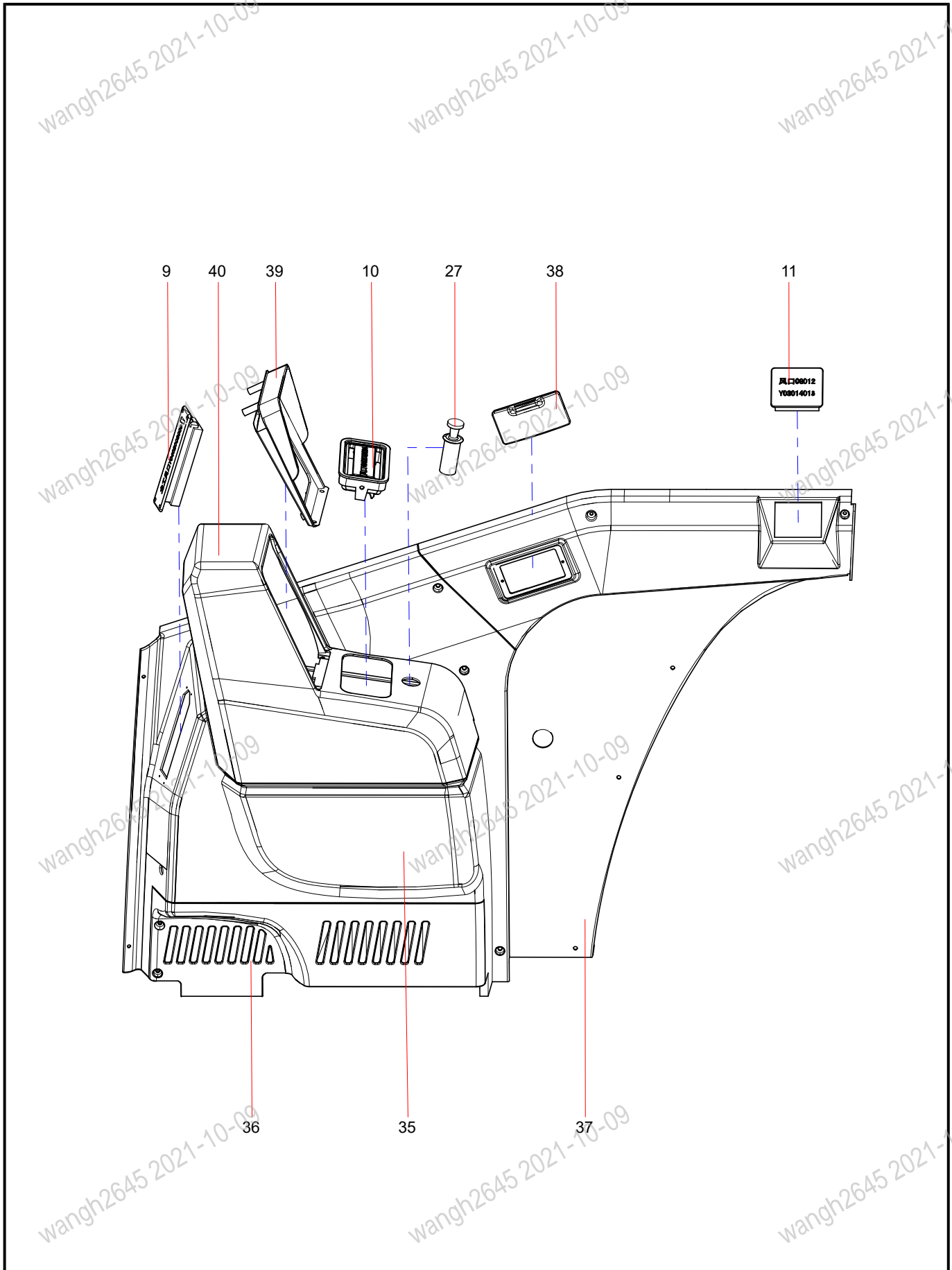
INDEX	PART NO.	DESCRIPTION	QTY	SEE PAGE
1	130901000064B009	Lower glass	1	
2	60248540	right side glass	1	
3	60248543	top glass	1	
4	60248542	back glass	1	
5	60248541	left-back side glass	1	
6	60166748	rearview	1	3-14
7	60349310	Lower Window Plate(Right)	1	
8	60349307	Lower Window Plate(Left)	1	
15	A229900008238	Assembly Of Front Lower Glass Handle Ф3	1	
18	60248579	door assembly	1	3-18
48	130901000064B010	Locking Bolt	1	
49	130901000064B011	Guard Hook	1	



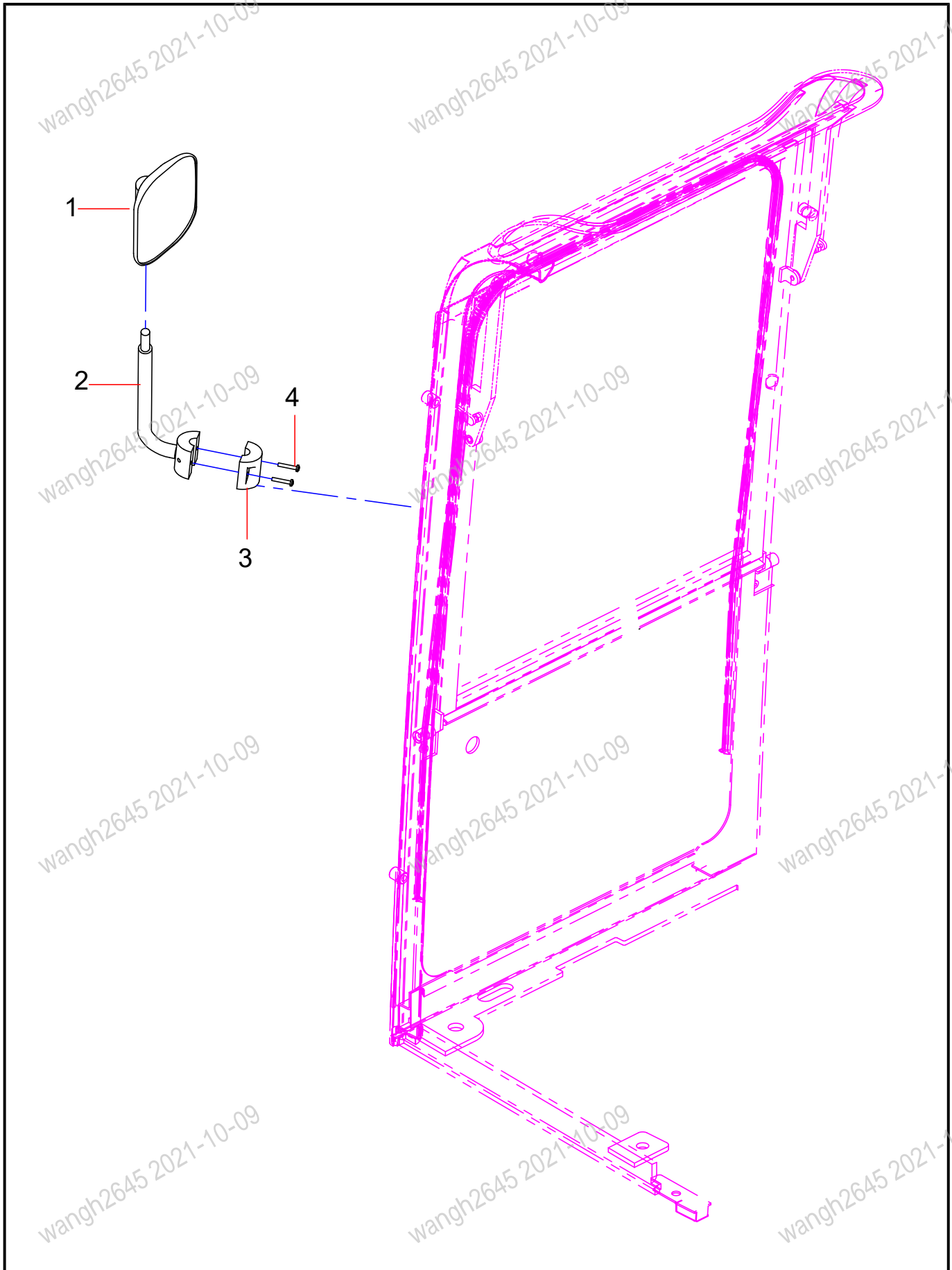
INDEX	PART NO.	DESCRIPTION	QTY	SEE PAGE
12	130901000064B007	Front glass assembly	1	3-16
13	60248532	sealing rubber strip of front window	1	
14	A229900008230	Right Lower Fixed Block 70×20×23	1	
16	A229900008231	Left Lower Fixed Block 70×20×23	1	
17	60248537	sealing rubber of front-lower glass	1	
19	60328546	back water-proof rubber strip	1	
20	60248578	Gas Spring	2	
21	60248560	windscreen wiper assembly	1	3-20
22	60248547	Lock of Front Window(Left)	1	
23	60248548	Lock of Front Window(Right)	1	
24	60166732	Water Spraying Nipple	1	
25	60310282	Water Jet ASSY	1	
28	60248553	saucer	1	
29	60166735	Pin Rail	1	
30	60001289	Fire Extinguisher	1	
31	60052666	Safety Hammer	1	
34	60023704	Antenna	1	
44	60341344	Middle Column Handle	1	



INDEX	PART NO.	DESCRIPTION	QTY	SEE PAGE
26	60248568	horn cover	1	
32	60248569	back inner plaque	1	
33	60023703	Speaker	2	
41	130901000064B005	Locked Rebound ASSY	1	
42	130901000064B006	Back Lock	1	
43	60248570	left inner plaque	1	
45	60248555	Wall Lamp	1	
46	60328543	handle plastic cover	1	
47	60328542	Back lock handle	1	

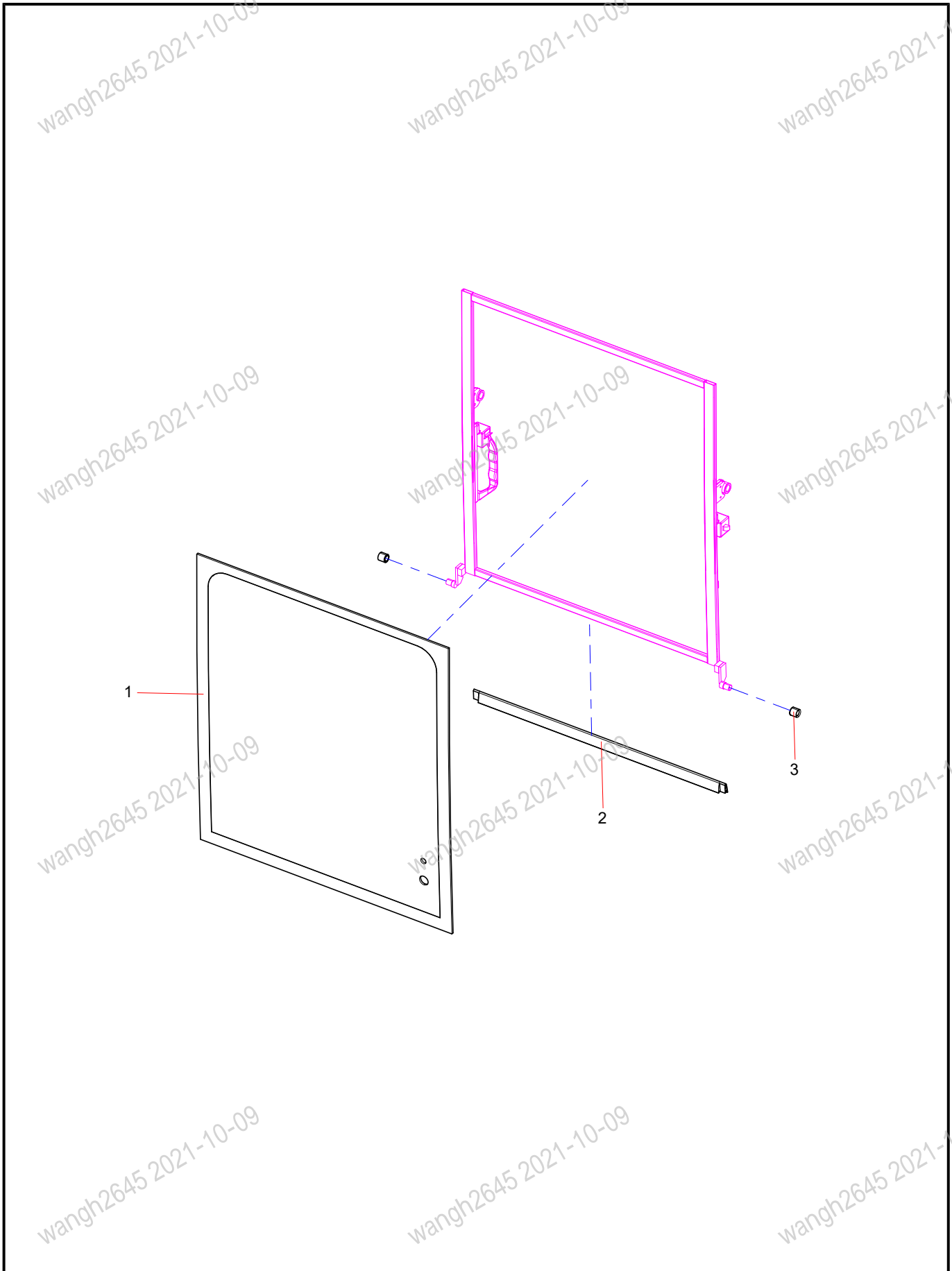


INDEX	PART NO.	DESCRIPTION	QTY	SEE PAGE
9	130901000064B001	defrosting air gap	1	
10	130901000064B002	blow face draught	1	
11	130901000064B003	rear draught	1	
27	60248582	cigarette lighter	1	
35	60248565	inner plaque of front control box	1	
36	60248566	decoration plate for filter core	1	
37	60248567	right-back inner plaque	1	
38	60052626	Ashtray	1	
39	60248563	screen cover of front control box	1	
40	60248564	inner plaque of front control box	1	

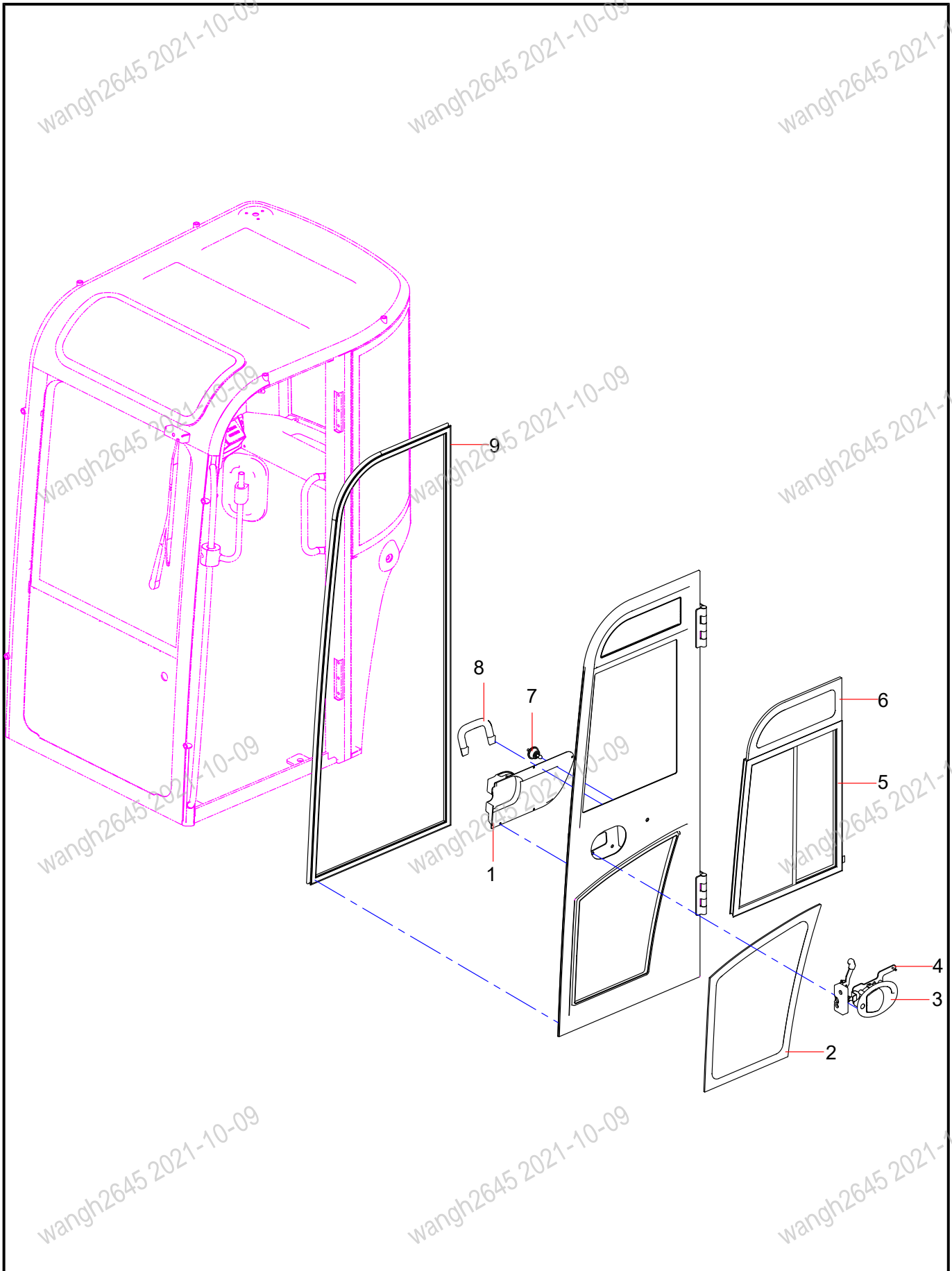


INDEX	PART NO.	DESCRIPTION	QTY	SEE PAGE
1	A229900001398	Rear-view Mirror ASSY	1	
2	60166738	Support of rearview mirror (2)	1	
3	60166737	Support of rearview mirror (1)	1	
4	A210204000181	Screw	2	

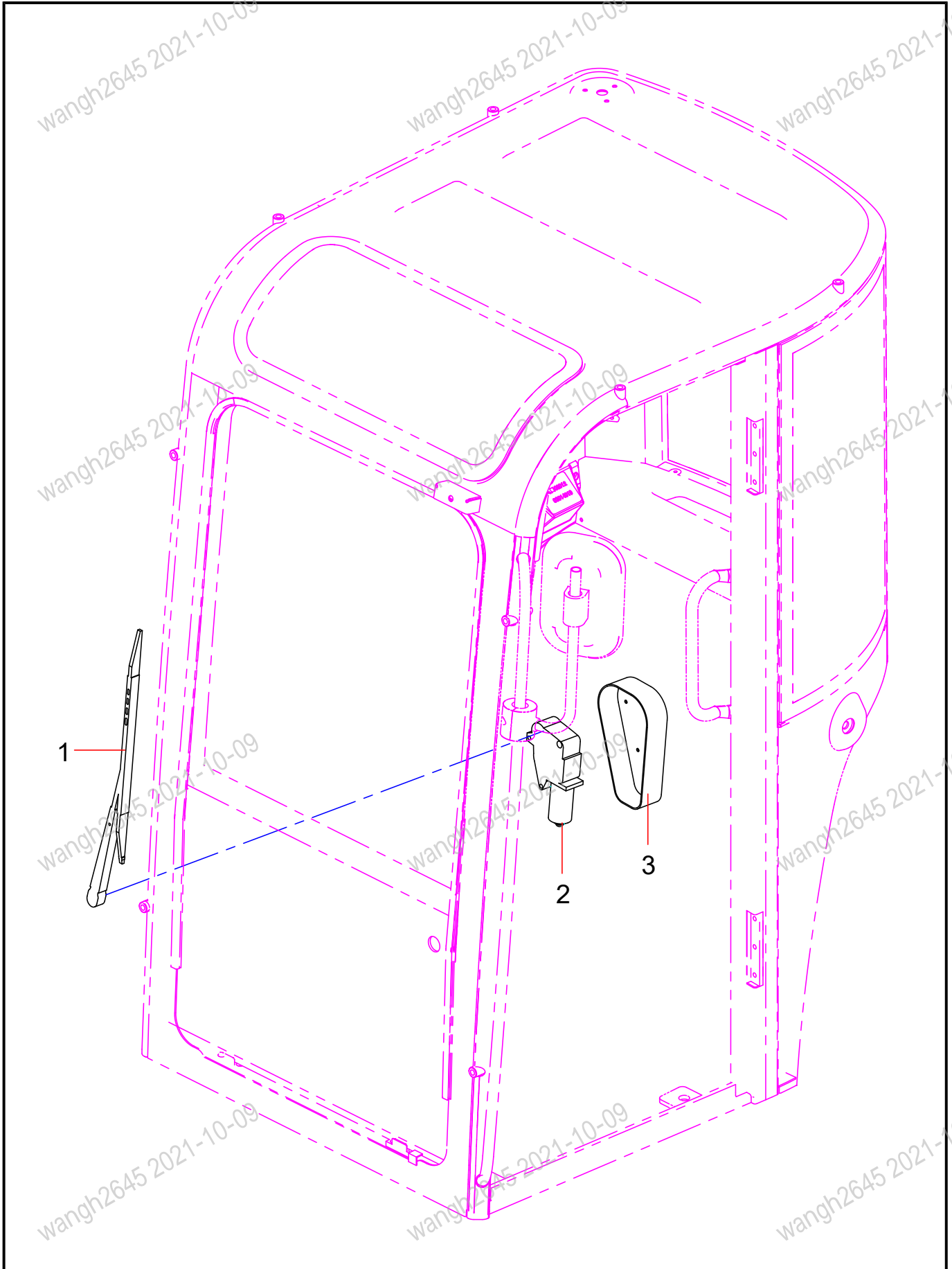
130901000064B007 Front glass assembly



INDEX	PART NO.	DESCRIPTION	QTY	SEE PAGE
1	130901000064B008	Front glass	1	
2	60248533	lower rubber strip of front window	1	
3	60248576	roller of front window	2	

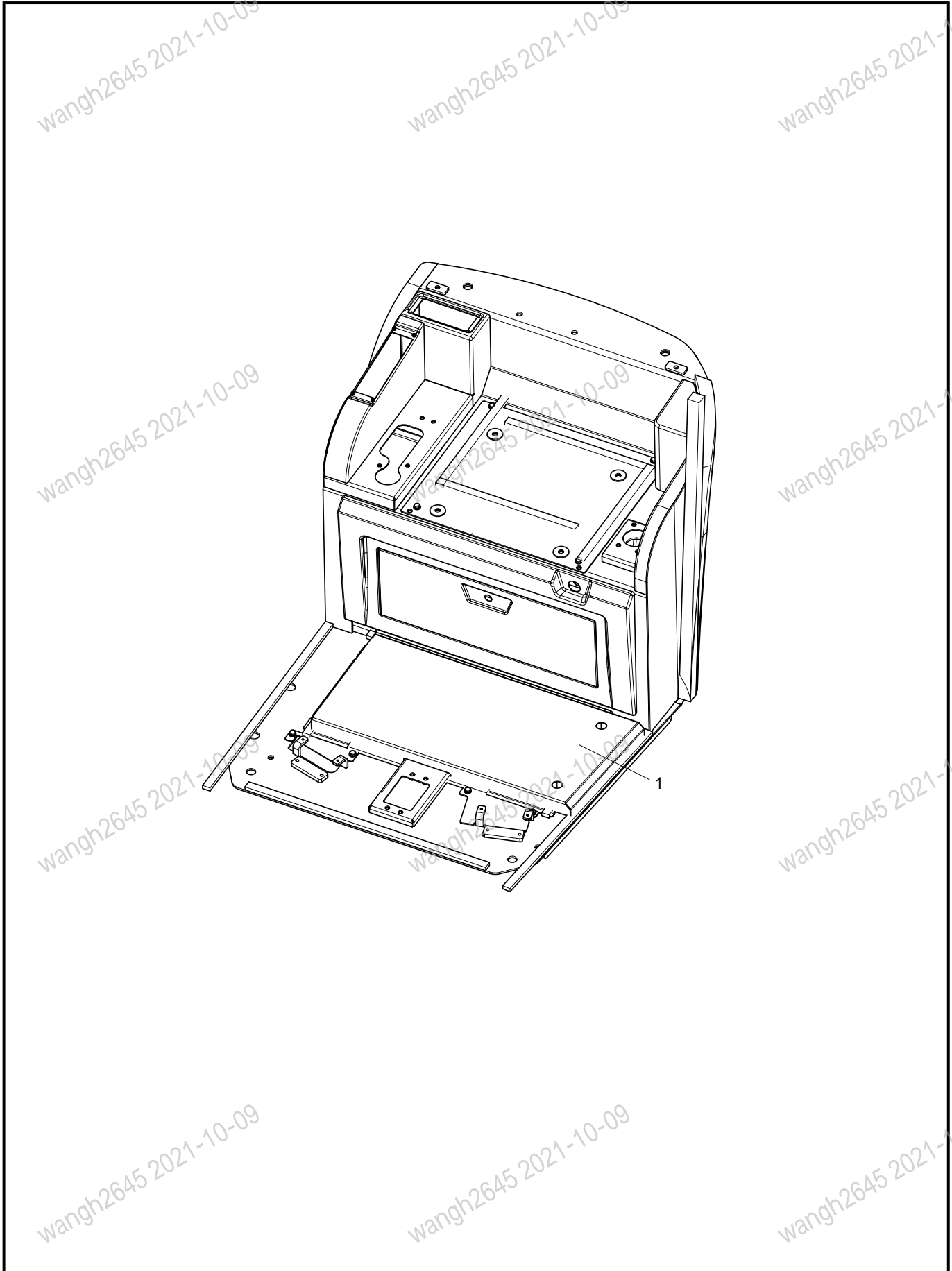


INDEX	PART NO.	DESCRIPTION	QTY	SEE PAGE
1	60248571	Decoration Plate of Lock	1	
2	60248545	Bottom Glass of Door	1	
3	60248549	Lock Handle from Outside	1	
4	60248550	Lock of Door	1	
5	60248546	Sliding Window of Door	1	
6	60248544	Top Glass of Door	1	
7	60248551	Lock Catch of Door	1	
8	60248575	Handle Indoor	1	
9	60248535	Sealing Rubber Strip of Door	1	



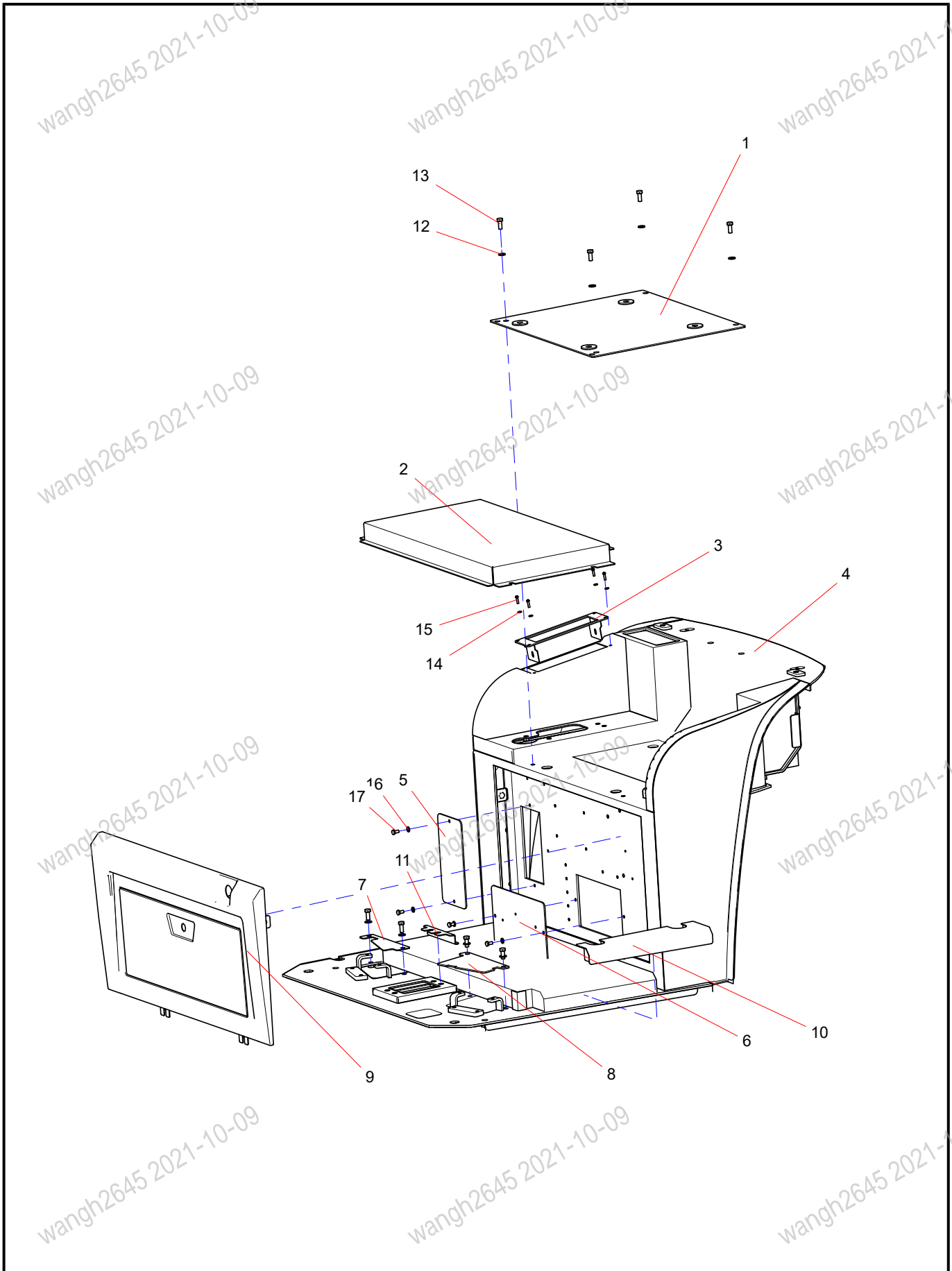
INDEX	PART NO.	DESCRIPTION	QTY	SEE PAGE
1	60248561	wiper arm	1	
2	60248562	wiper motor	1	
3	60248583	plastic cover of windscreen wiper	1	

14421758 base sponge assembly

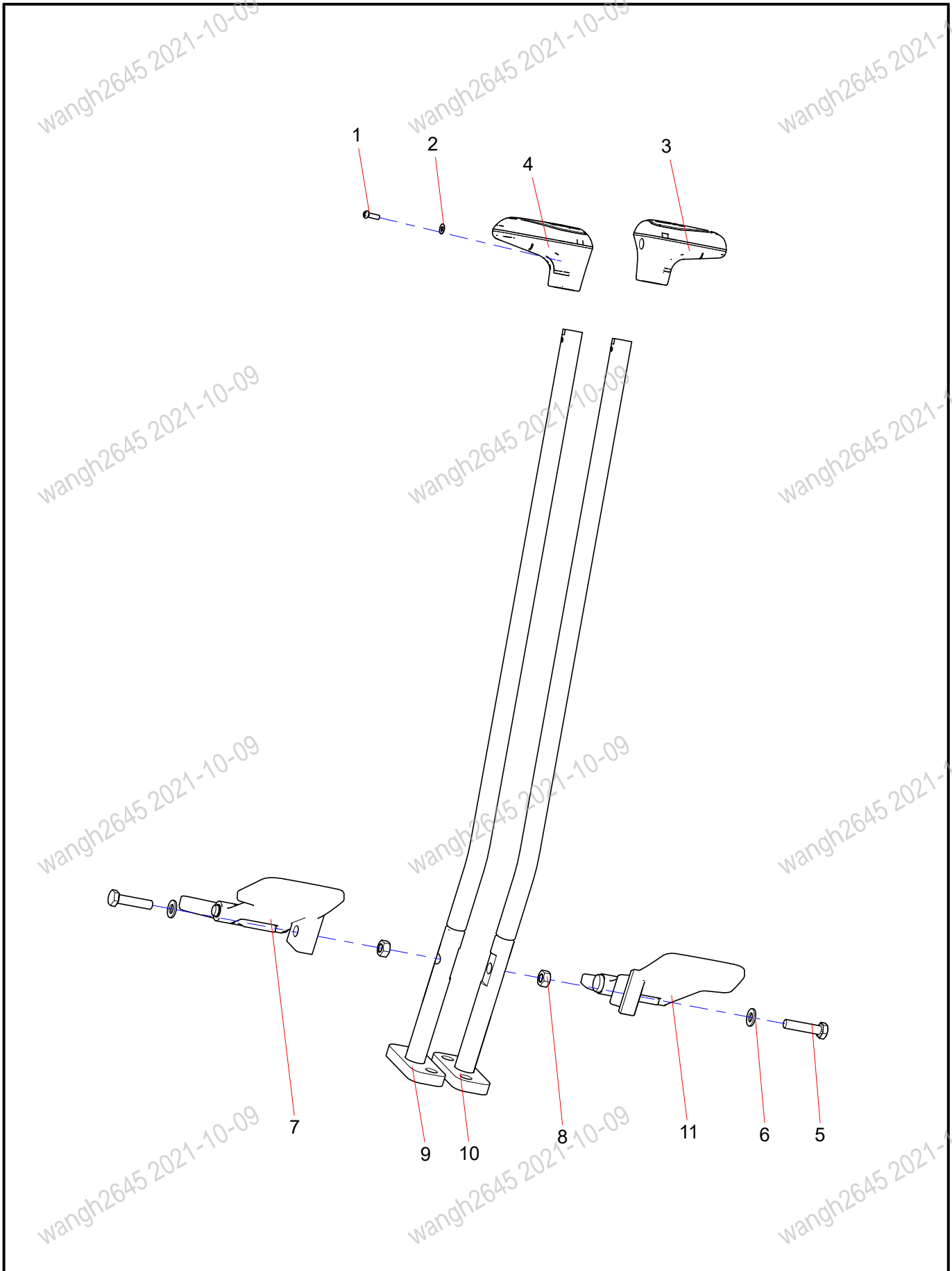


INDEX	PART NO.	DESCRIPTION	QTY	SEE PAGE
1	14095331	seat base	1	3-24

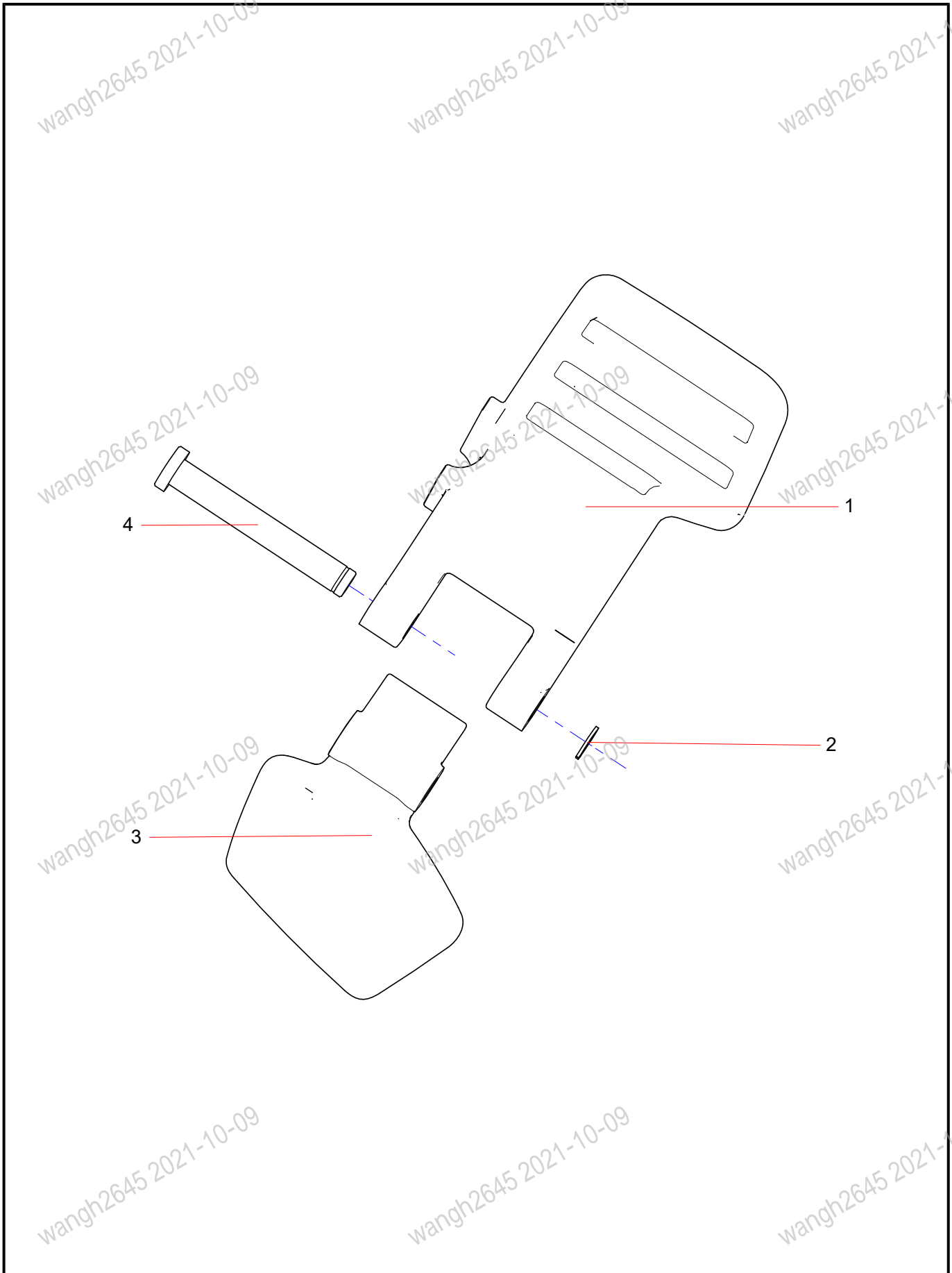
14095331 seat base



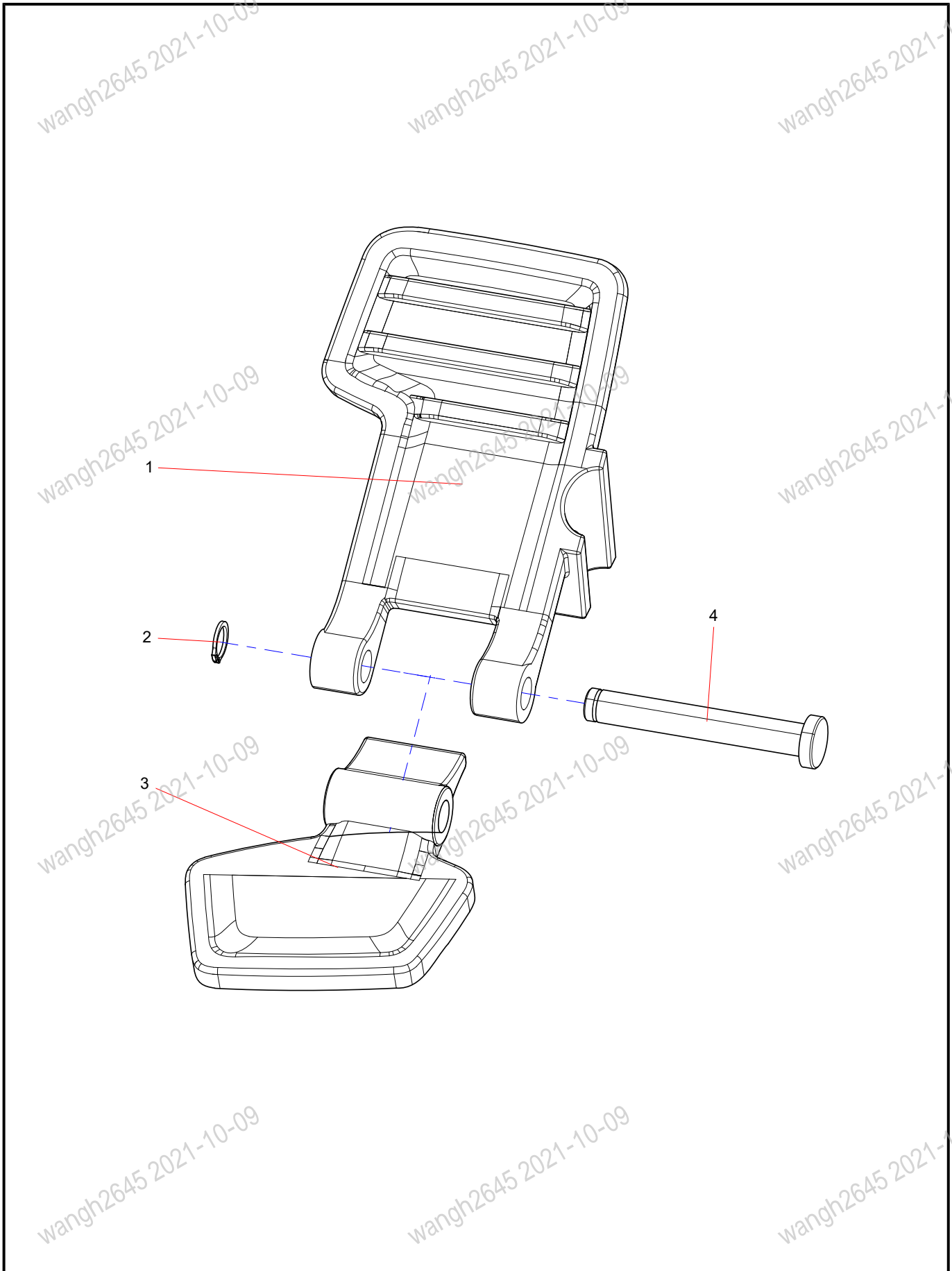
INDEX	PART NO.	DESCRIPTION	QTY	SEE PAGE
1	SSY004681493	seat installation plate	1	
2	14504737	pedal	1	
3	13116452	radio installation plate	1	
4	14093653	assembly weldment chassis	1	
5	14420146	maintenance cover plate	1	
6	14420145	maintenance cover plate	1	
7	14093635	connecting board	1	
8	14421456	connecting board	1	
9	13116919	seat front cover plate assem.	1	
10	14504740	left footplate	1	
11	14504734	running foot valve cover plate	1	
12	24000633	Washer	16	
13	A210111000343	Bolt	16	
14	A210405000004	Washer	4	
15	A210210000023	Screw	4	
16	24000632	Washer	4	
17	A210111000078	Bolt	4	



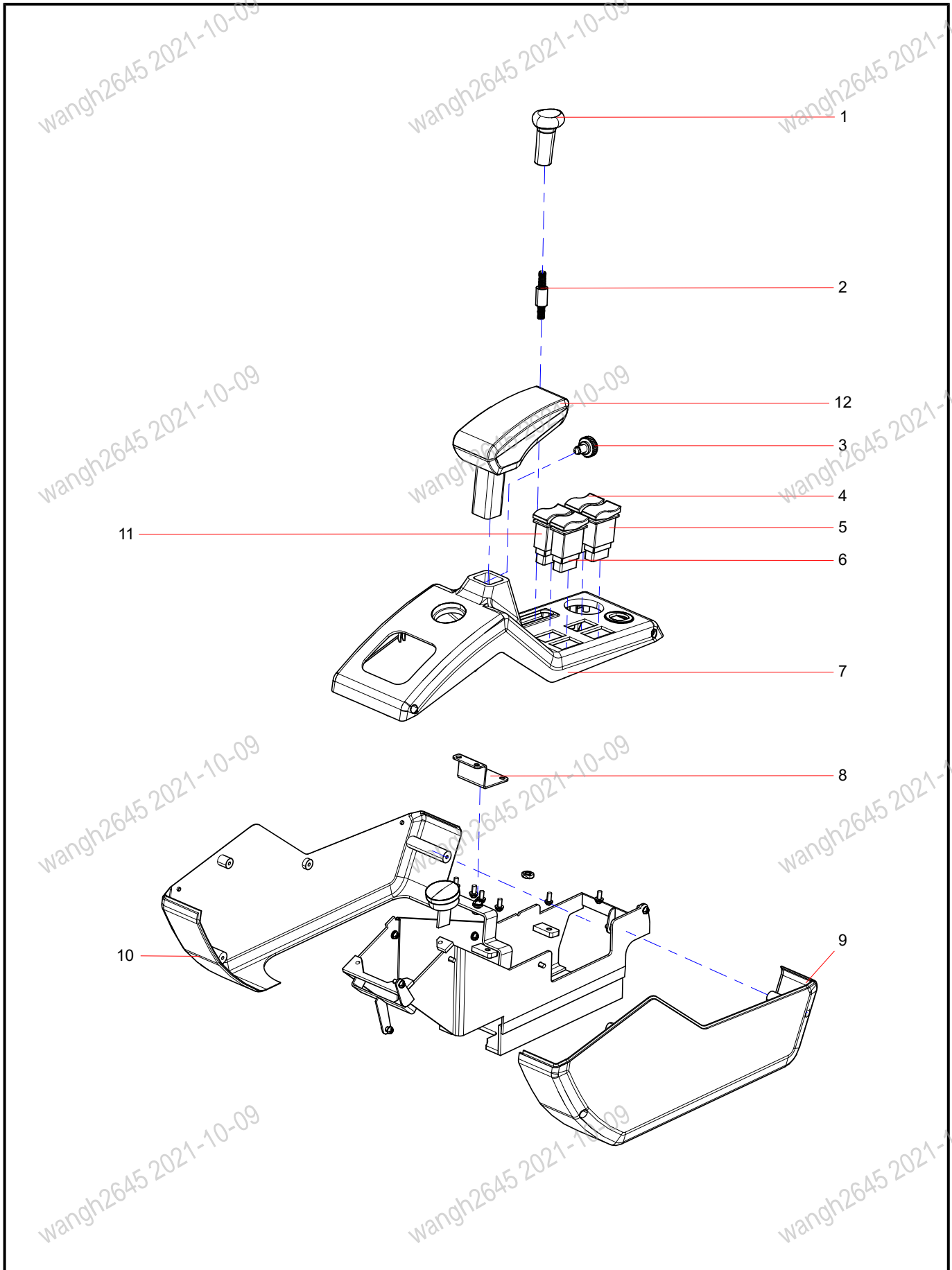
INDEX	PART NO.	DESCRIPTION	QTY	SEE PAGE
1	A210210000030	Screw	2	
2	60060562	Washer	2	
3	12688927	Left Handle	1	
4	12691132	Right Handle	1	
5	A210111000092	Bolt	2	
6	24000633	Washer	2	
7	13603240	Pedal ASSY	1	3-28
8	A210307000012	Nut	2	
9	14219919	Right Control Lever	1	
10	14219752	Control Lever	1	
11	13603236	Pedal ASSY	1	3-30



INDEX	PART NO.	DESCRIPTION	QTY	SEE PAGE
1	13603237	Front Pedal	1	
2	A210414000011	Retainer Ring	1	
3	13603238	Back Pedal	1	
4	13603239	Rotating Shaft	1	

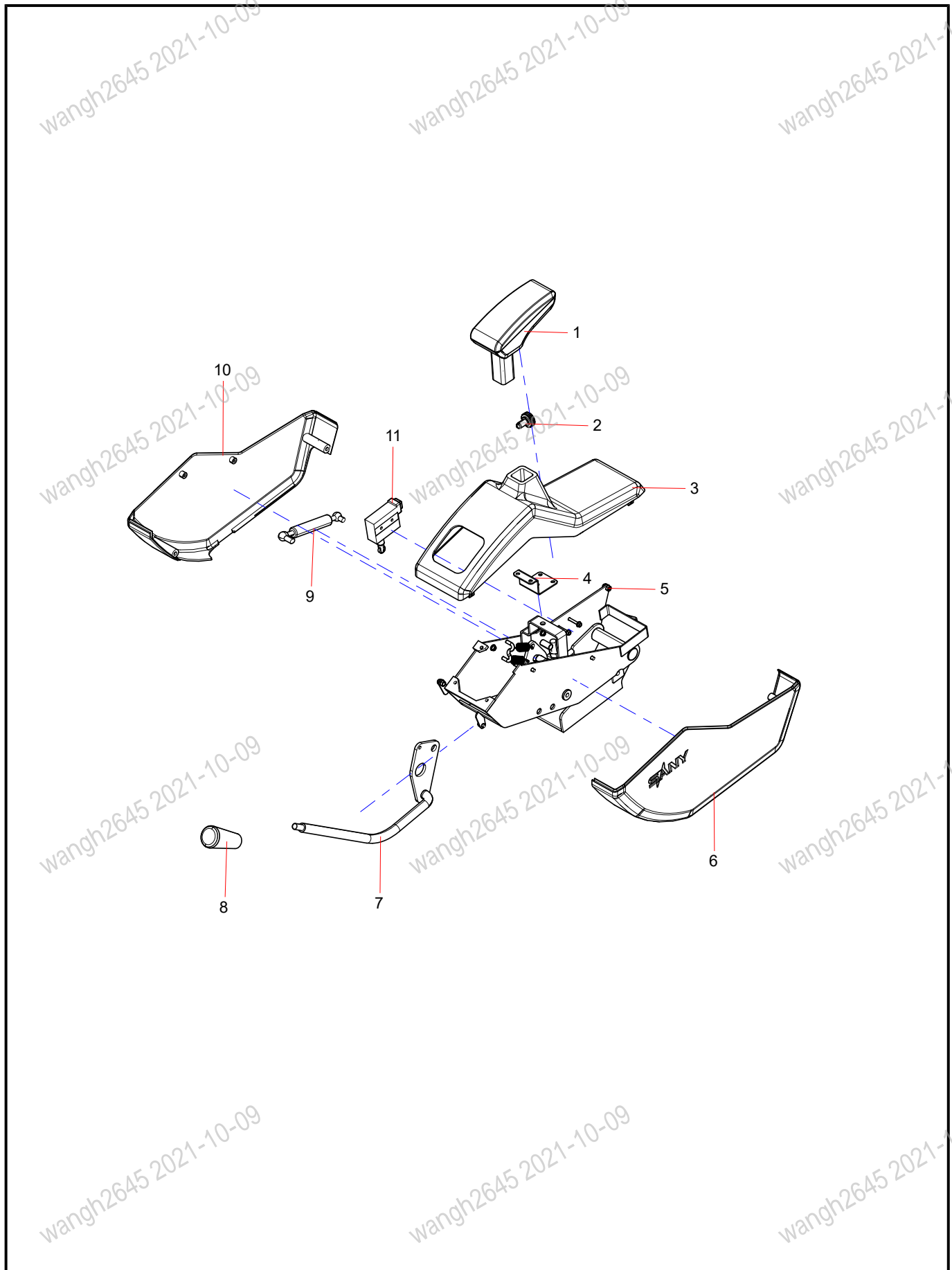


INDEX	PART NO.	DESCRIPTION	QTY	SEE PAGE
1	13603234	Front Pedal	1	
2	A210414000011	Retainer Ring	1	
3	13603235	Back Pedal	1	
4	13603239	Rotating Shaft	1	

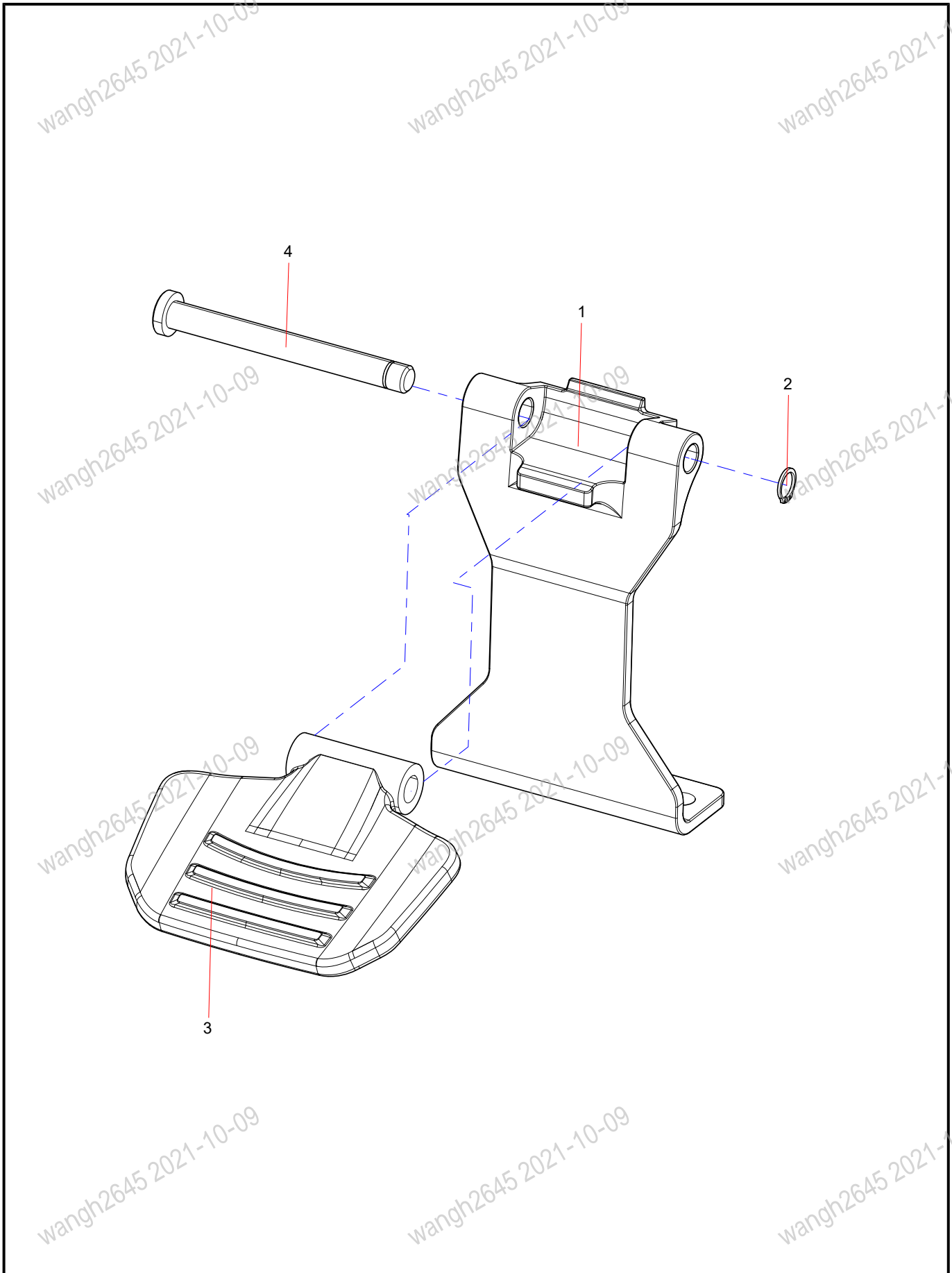


INDEX	PART NO.	DESCRIPTION	QTY	SEE PAGE
1	60259931	Bulldozing Shovel Handle	1	
2	60259938	Bulldozing Shovel Bar	1	
3	60259923	Hand Rail Limit	1	
4	61020294	Alarm lamp switch	1	
5	60306446	Rocker Switch	1	
6	60306447	Rocker Switch	1	
7	60259936	Right Armrest Box Upper Cover	1	
8	60259920	Upper Cover Anchor	1	
9	60259930	Right Armrest Box Left Shell	1	
10	60259937	Right Armrest Box Right Shell	1	
11	60306443	Rocker Switch	1	
12	60259927	Hand Rail	1	

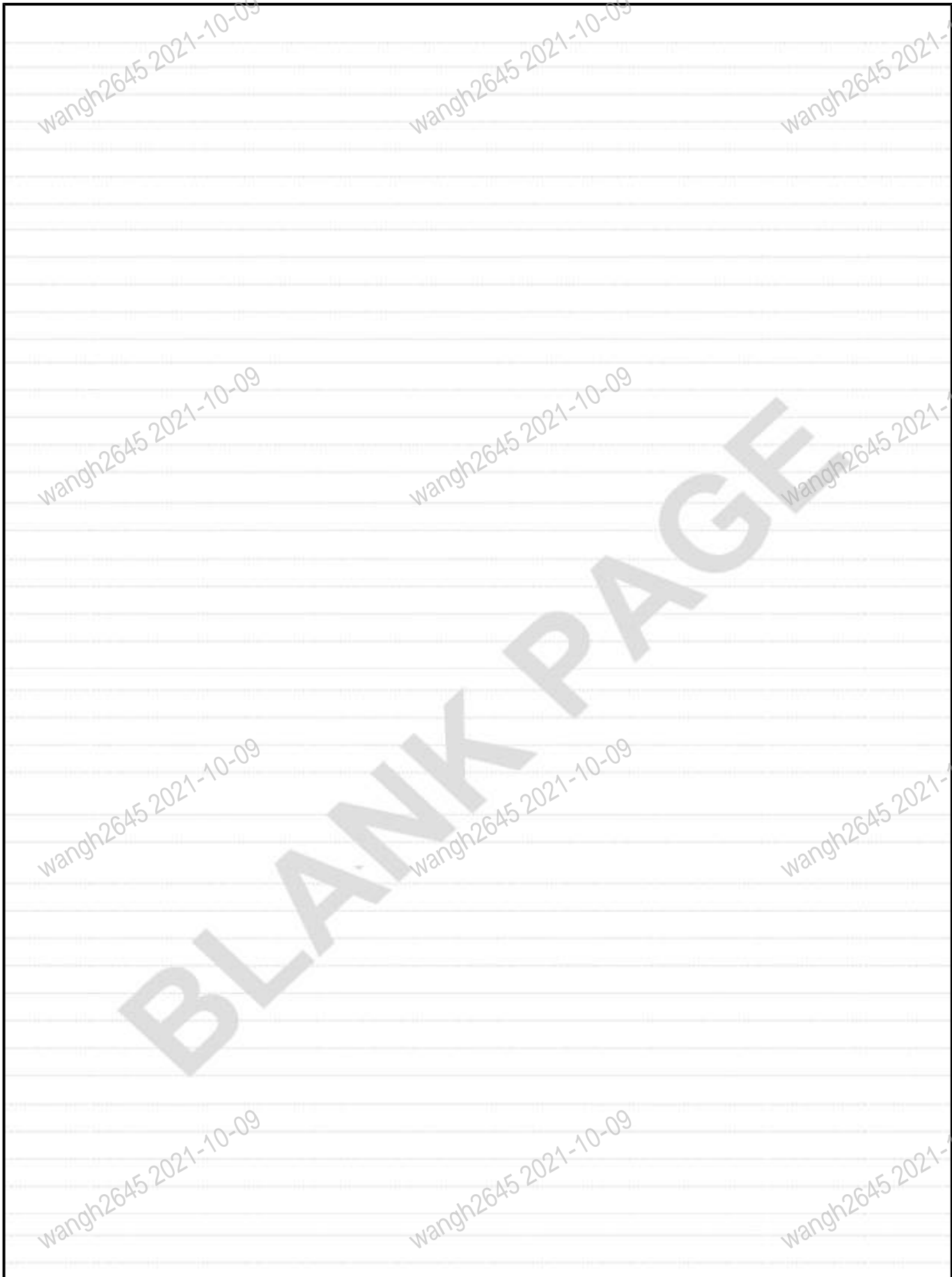
60223376 Left Armrest Box ASSY



INDEX	PART NO.	DESCRIPTION	QTY	SEE PAGE
1	60259927	Hand Rail	1	
2	60259923	Hand Rail Limit	1	
3	60259919	Left Armrest Box Upper Cover	1	
4	60259920	Upper Cover Anchor	1	
5	60292211	Left Armrest Box Framework	1	
6	60259922	Left Armrest Box Left Shell	1	
7	60259925	Handle Lever	1	
8	60259924	Handle	1	
9	60309855	Gas Spring	1	
10	60259921	Left Armrest Box Right Shell	1	
11	60250079	Journey Switch	1	

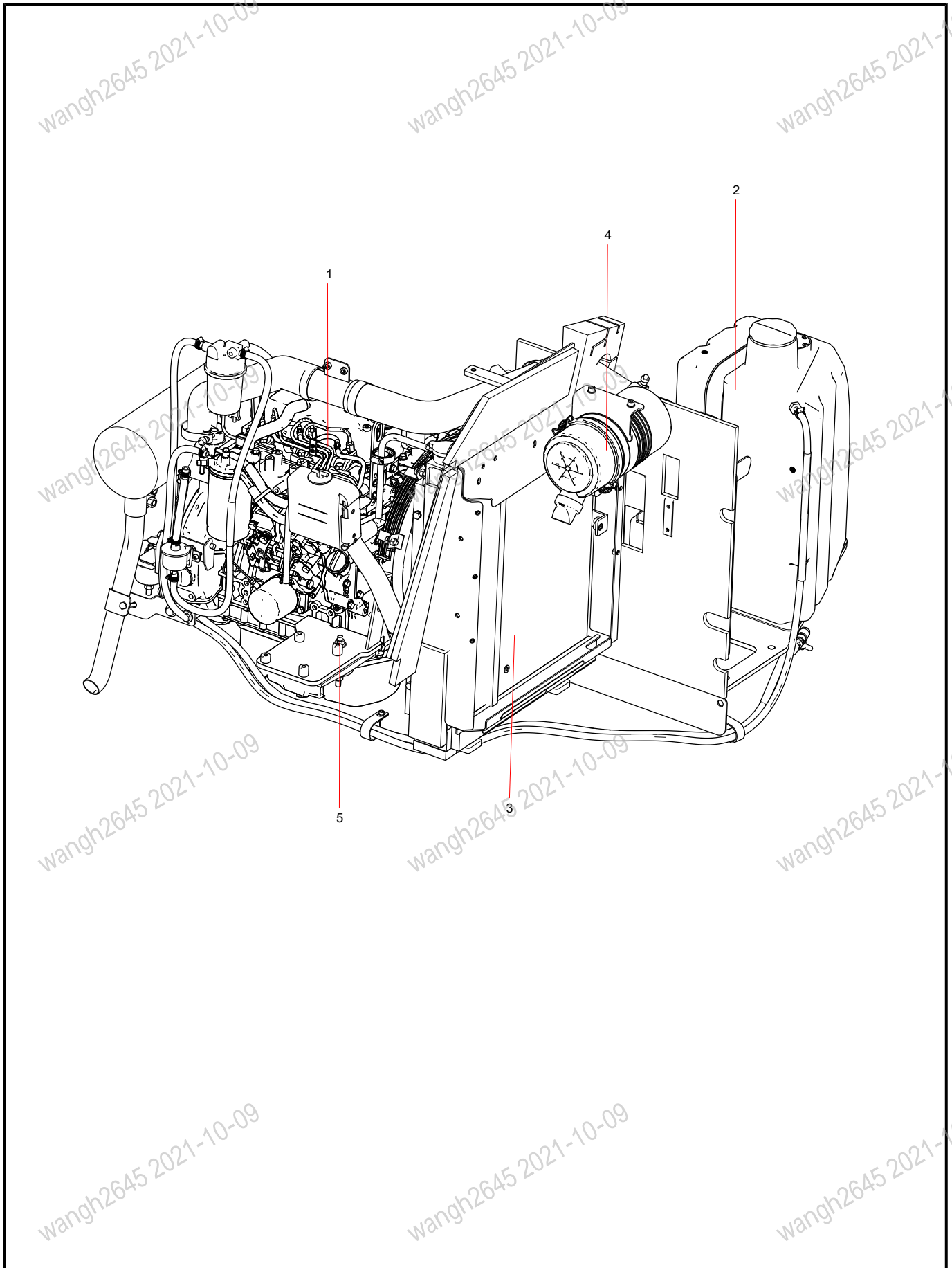


INDEX	PART NO.	DESCRIPTION	QTY	SEE PAGE
1	13845264	Installation Frame	1	
2	A210414000011	Retainer Ring	1	
3	13603244	Pedal	1	
4	13603245	Rotating Shaft	1	



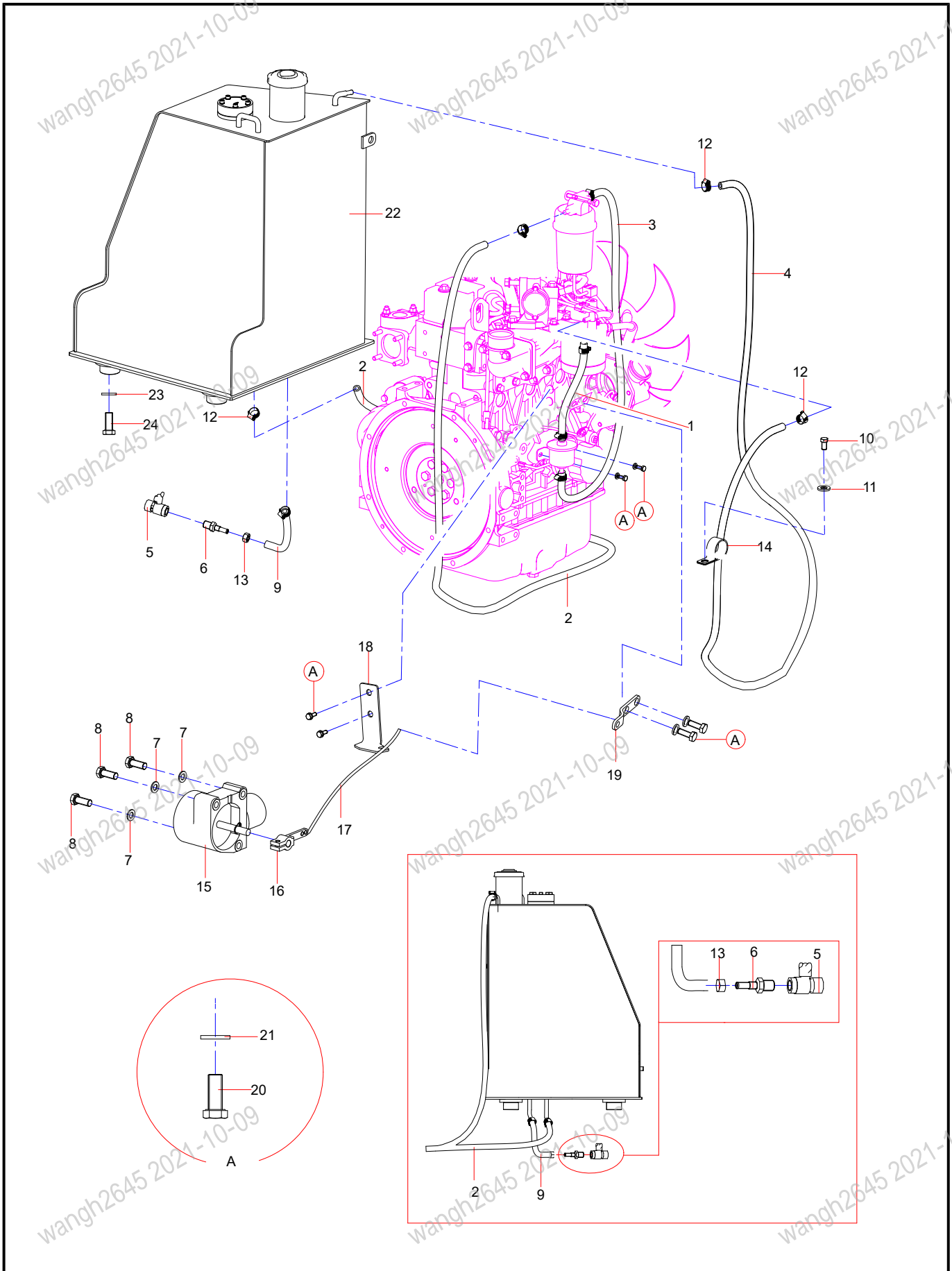
Group 4

Power System



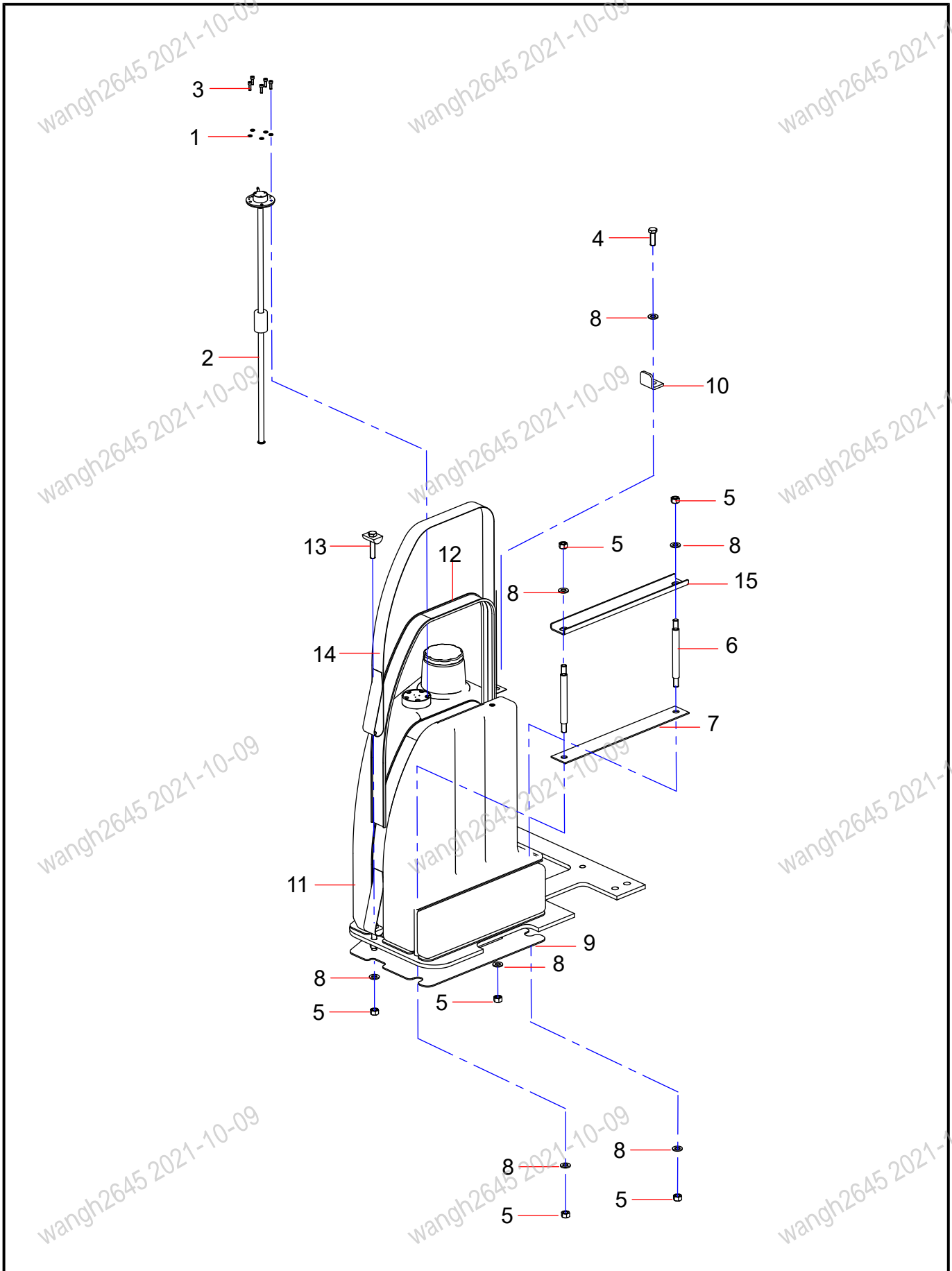
INDEX	PART NO.	DESCRIPTION	QTY	SEE PAGE
1	60231659	engine	1	
2	13103250	fuel and throttle control system	1	4-4
3	13103254	cooling system	1	4-10
4	13103262	intake and exhaust system	1	4-14
5	14500011	transmission and shock mitigation system	1	4-18

13103250 fuel and throttle control system

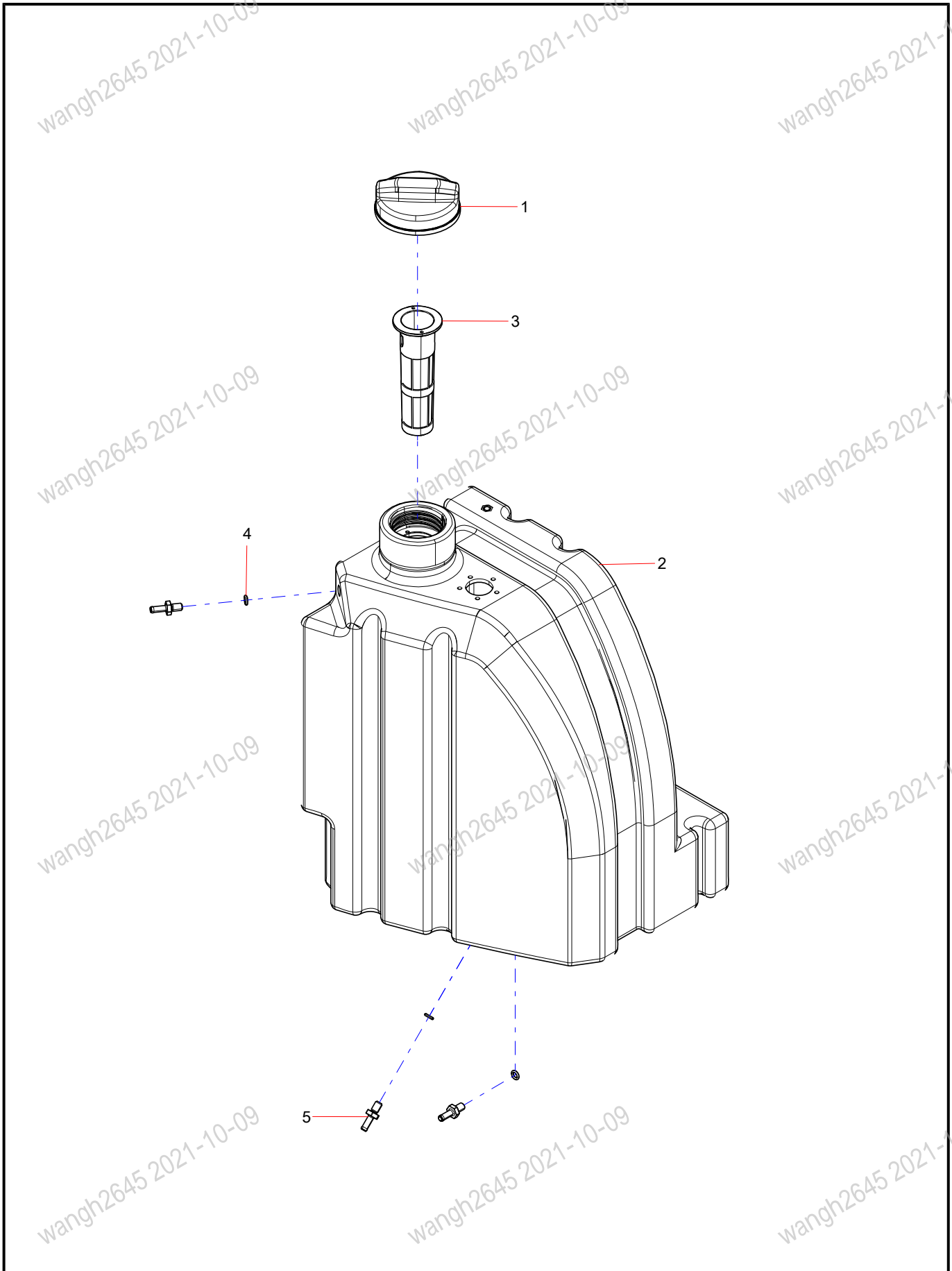


INDEX	PART NO.	DESCRIPTION	QTY	SEE PAGE
1	13057200	OIL-OUT PIPE OF PUMP	1	
2	13057189	OIL-OUT PIPE OF TANK	1	
3	13057198	OIL-IN-PIPE OF PUMP	1	
4	13519685	OIL-OUT PIPE OF TANK	1	
5	A229900000882	Valve	1	
6	13055186	Water-out-joint	1	
7	A210491000120	Washer	3	
8	A210204000357	Screw	3	
9	12872543	Fuel Pipe	1	
10	A210204000129	Screw	1	
11	24000632	Washer	1	
12	21053360	Hose Hoop	9	
13	A210307000031	Nut	1	
14	60086357	Clamp	2	
15	60099069	accelerograph motor	1	
16	11626828	Throttle connecting lever	1	
17	60233775	accelerator flexible shaft	1	
18	13055163	throttle support	1	
19	13055142	throttle connecting lever	1	
20	60249819	Screw	6	
21	60238783	Washer	6	
22	14413671	plastic fuel tank assy.	1	4-6
23	A210111000202	Bolt	4	
24	A210491000121	Washer	4	

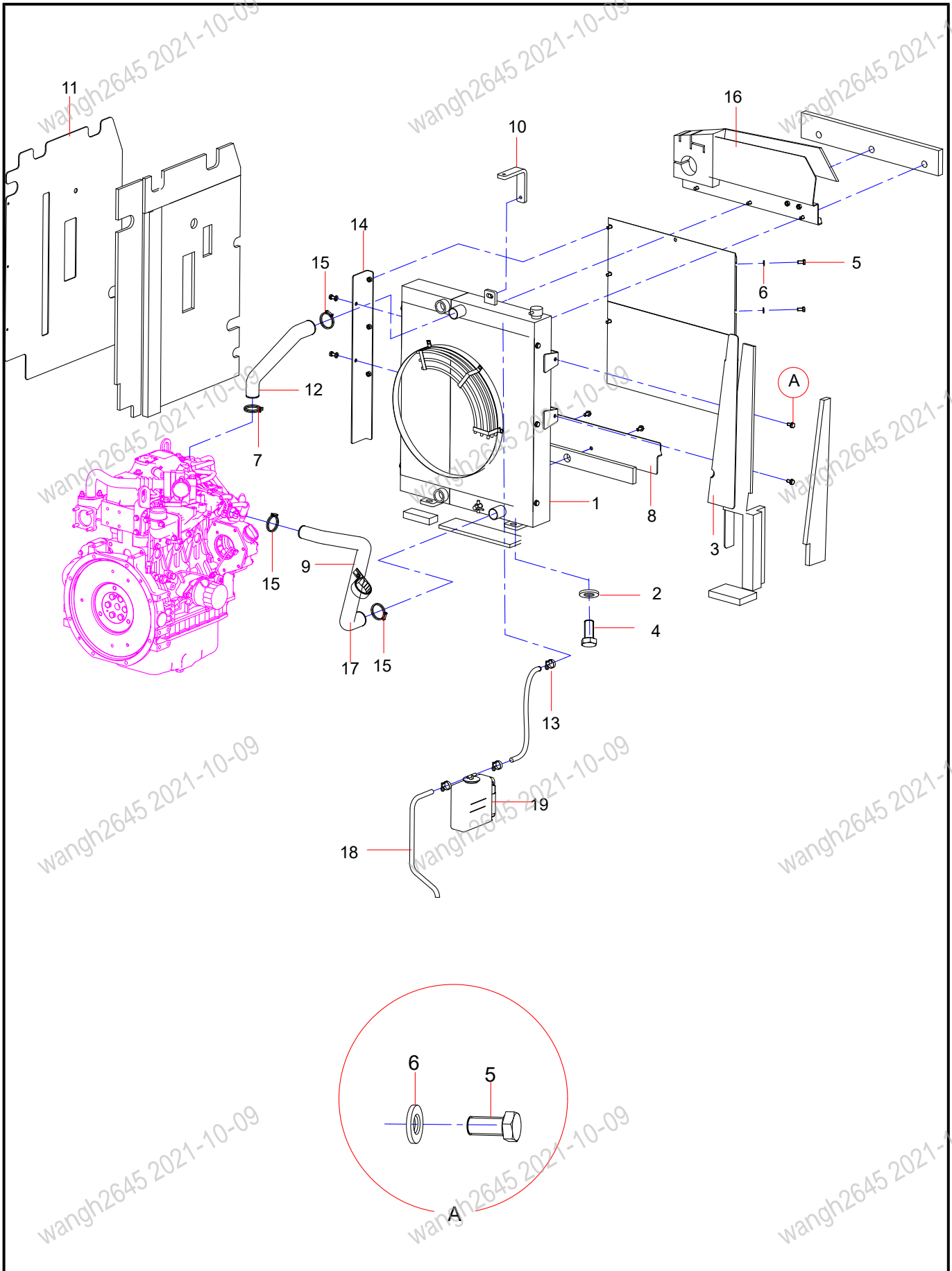
14413671 plastic fuel tank assy.



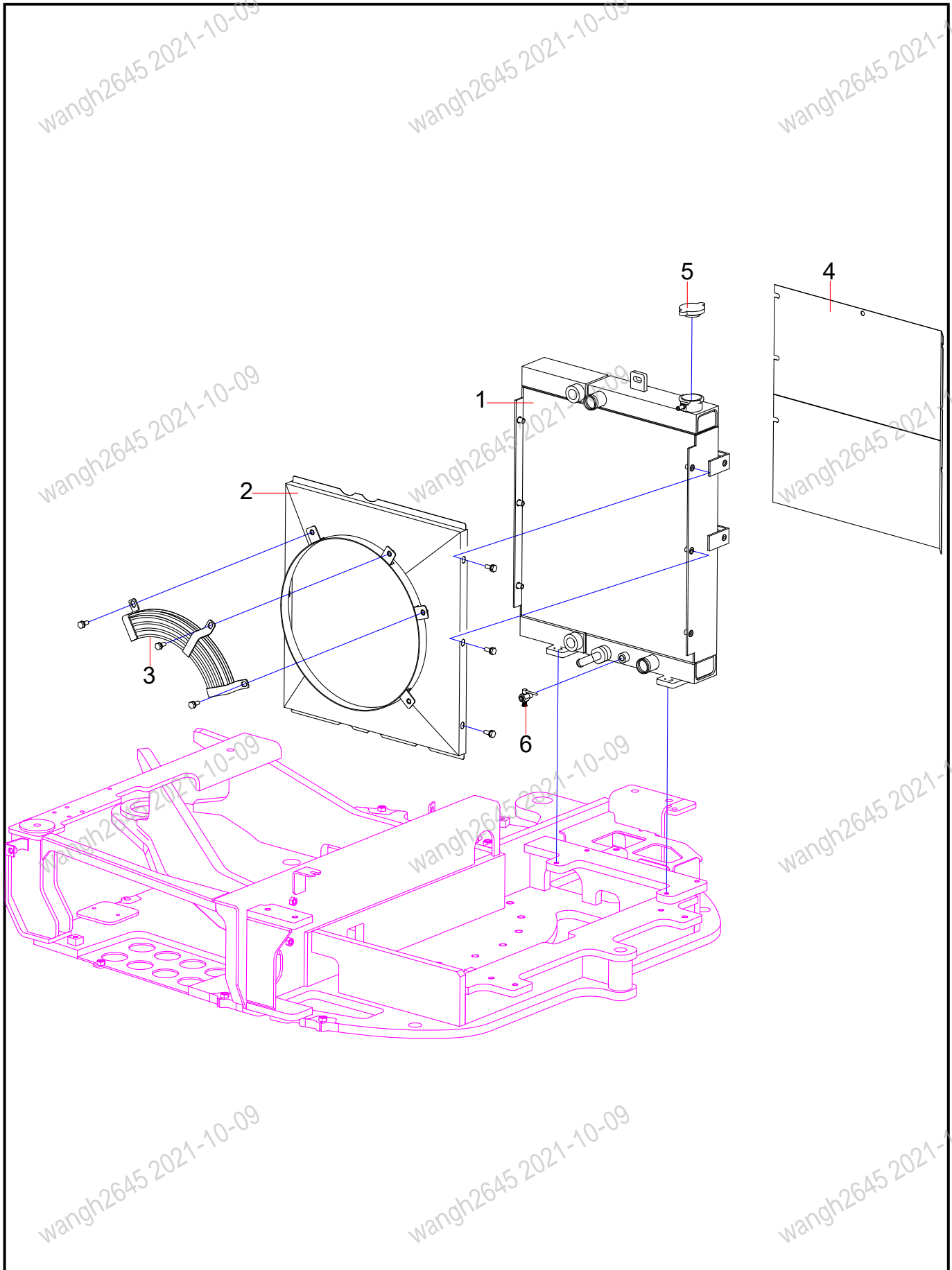
INDEX	PART NO.	DESCRIPTION	QTY	SEE PAGE
1	24000630	Washer	5	
2	60206741	Fuel Sensor	1	
3	A210204000116	Screw	5	
4	A210111000203	Bolt	1	
5	A210307000031	Nut	6	
6	13578972	threaded rod	2	
7	13578975	rubber pad	1	
8	24000639	Washer	7	
9	13578973	bottom rubber pad	1	
10	13593971	installation plate	1	
11	60277714	Oil Tank	1	4-8
12	13578970	inner rubber	1	
13	13578977	connecting bar	1	
14	13578971	binding band	1	
15	13578974	pressure plate	1	



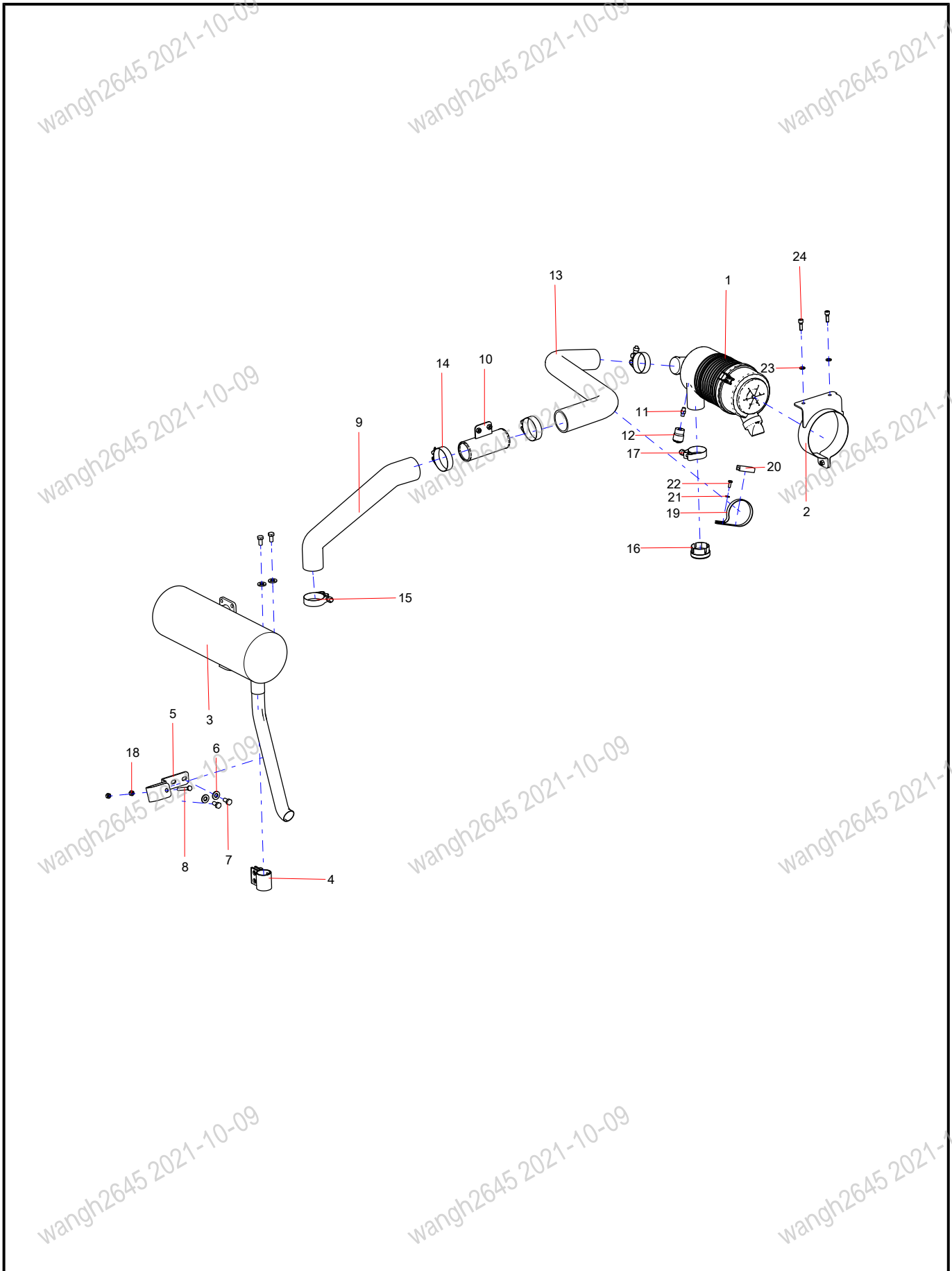
INDEX	PART NO.	DESCRIPTION	QTY	SEE PAGE
1	160499000171A001	Cap, Fuel Tank	1	
2	160499000171A002	Fuel Tank	1	
3	160499000171A003	Fiter	1	
4	160499000171A004	O-ring	3	
5	160499000171A005	Connector, Straight	3	



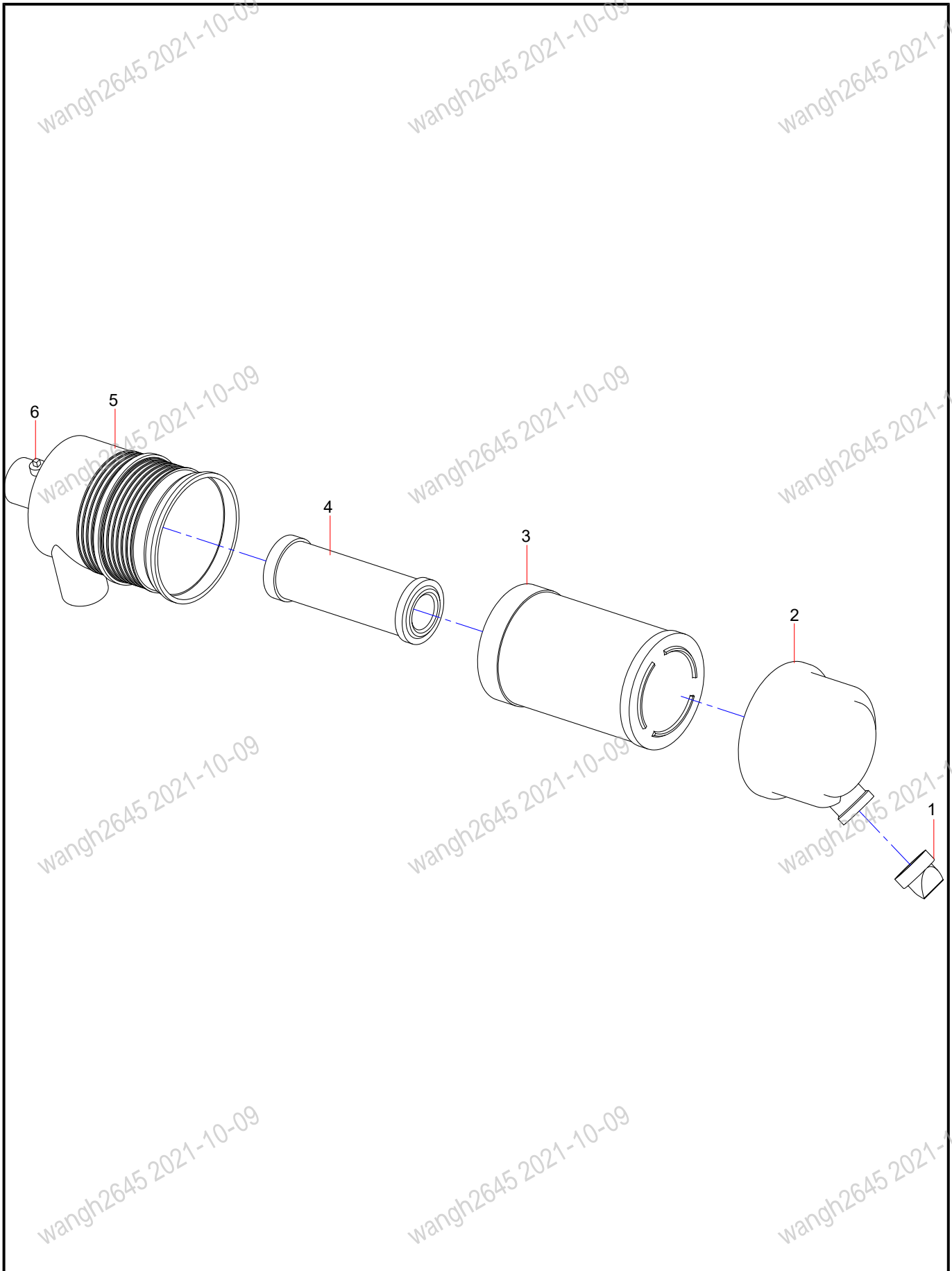
INDEX	PART NO.	DESCRIPTION	QTY	SEE PAGE
1	60233037	radiator	1	4-12
2	A210491000120	Washer	4	
3	13055126	rear sealing board assembly	1	
4	A210111000101	Bolt	4	
5	A210111000342	Bolt	14	
6	24000633	Washer	14	
7	60338982	Clamp	1	
8	13055134	lower sealing plate assembly	1	
9	139999000107	water clamp	1	
10	13055109	radiator upper support plate	1	
11	13072799	Heat Insulation Plate Components	1	
12	13051116	water-in pipe	1	
13	A229900001345	Clamp	3	
14	13065196	front sealing board assembly	1	
15	60338983	Hose clamp	3	
16	13055141	upper sealing board assem	1	
17	13051117	water-in tube	1	
18	A820606030367	Hose	2	
19	60115933	Liquid Reserve Tank	1	



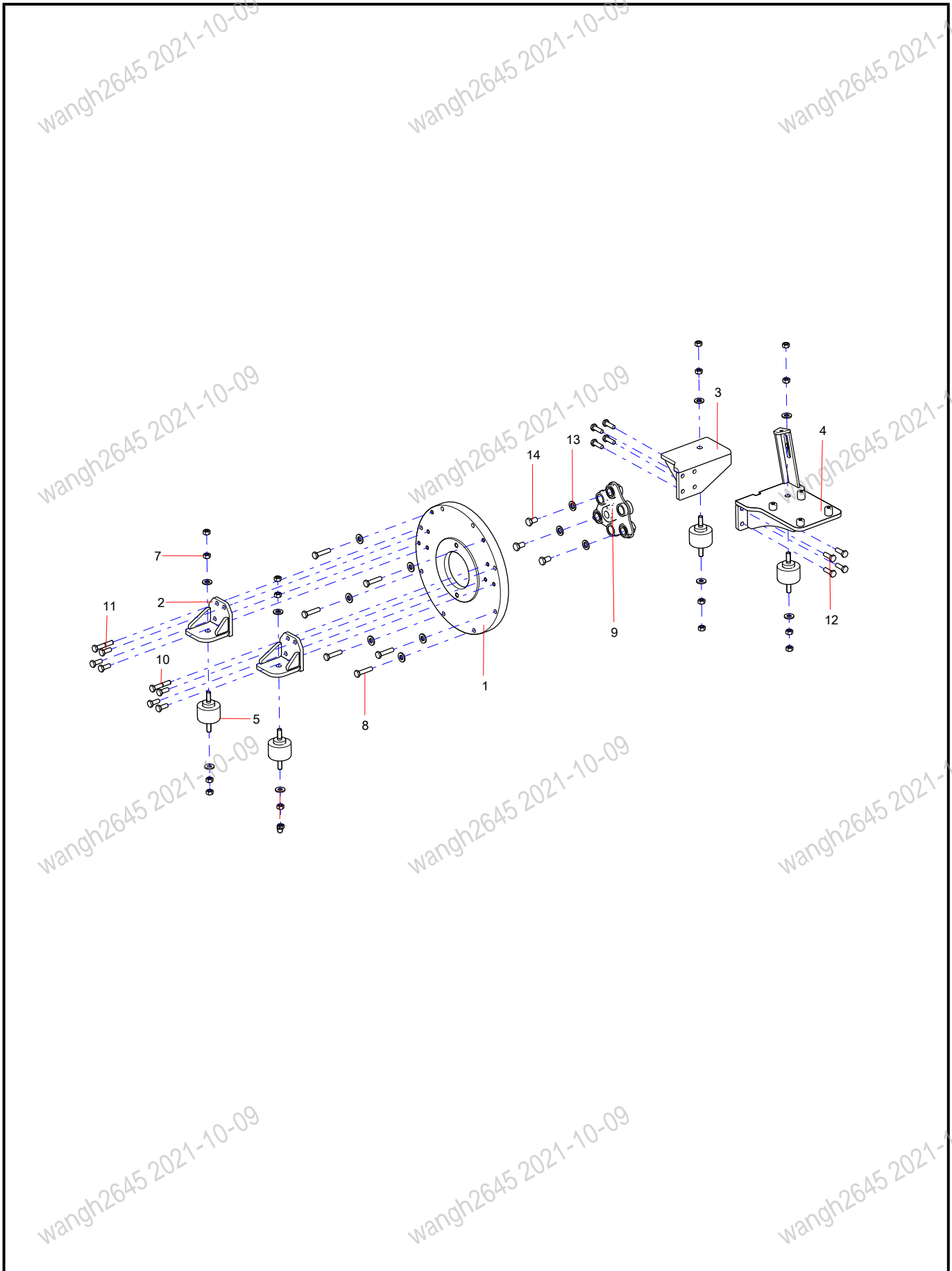
INDEX	PART NO.	DESCRIPTION	QTY	SEE PAGE
1	60243077	complex radiator	1	
2	60243078	wind lead cover	1	
3	60243079	guard net	1	
4	60243080	guard net	1	
5	60243081	Radiator Gap	1	
6	60243082	Cooling-water Switch	1	
7	A210111000101	Bolt	1	
8	A210491000120	Washer	1	



INDEX	PART NO.	DESCRIPTION	QTY	SEE PAGE
1	60114706	air cleaner	1	4-16
2	13055086	Clamp ASSY	1	
3	60234649	muffler	1	
4	13103541	Anchor Ear	1	
5	13370959	muffler pipe fix plate assembly	1	
6	A210491000120	Washer	4	
7	A210111000012	Bolt	4	
8	A210111000095	Bolt	1	
9	13051115	air intake rubber hose	1	
10	13055089	Connection Steel Tube ASSY	1	
11	B229900003909	Sensor adaptor of air cleaner	1	
12	60195980	Alarm Pressure	1	
13	13051114	air intake tube	1	
14	A229900003104	T-clamp	2	
15	A229900002031	T-clamp	2	
16	13313311	Filter Net	1	
17	60021999	Clamp, T-type	1	
18	A210307000055	Nut	2	
19	13493991	clamp	1	
20	11225692	Protective sleeve	1	
21	24000632	Washer	1	
22	A210111000079	Bolt	1	
23	24000633	Washer	2	
24	A210204000341	Screw	2	



INDEX	PART NO.	DESCRIPTION	QTY	SEE PAGE
1	60180749	Valve	1	
2	60180750	Cover ASSY	1	
3	60123506	Main Cartridge of Air Cleaner	1	
4	60123505	Safety Cartridge of Air Cleaner	1	
5	60180751	Body ASSY	1	
6	60180748	Plug	1	

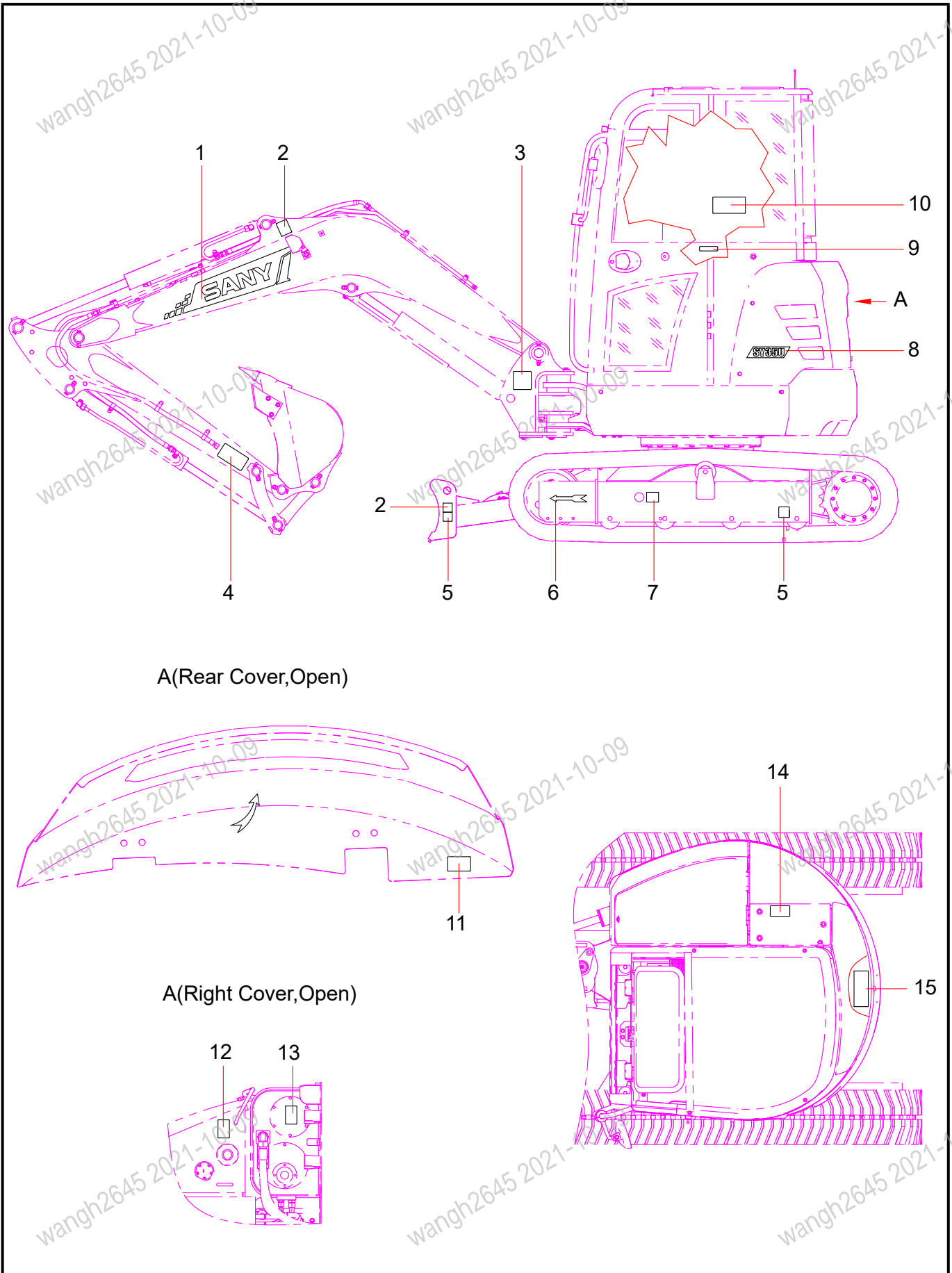


INDEX	PART NO.	DESCRIPTION	QTY	SEE PAGE
1	13055072	pump installation flange	1	
2	14547959	left outrigger assembly	2	
3	14547972	right front support leg	1	
4	14550909	right rear support leg	1	
5	131602000022A	damper	4	
6	A210491000120	Washer	14	
7	A210307000036	Nut	16	
8	A210111000120	Bolt	6	
9	60233068	Flanging Coupling	1	
10	A210110000447	Bolt	2	
11	A210111000197	Bolt	6	
12	A210111000024	Bolt	8	
13	A210491000121	Washer	3	
14	A210111000199	Bolt	3	

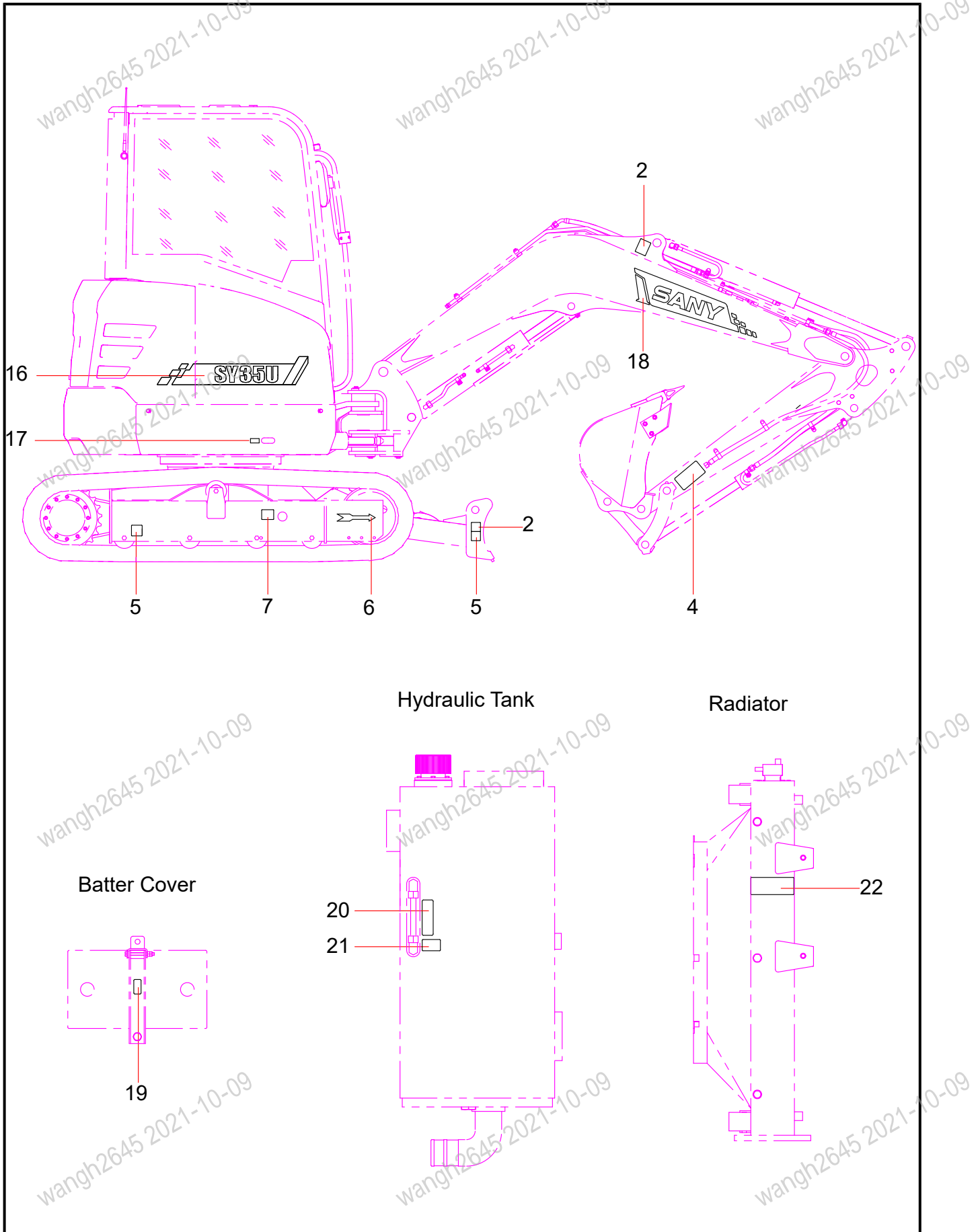


Group 5

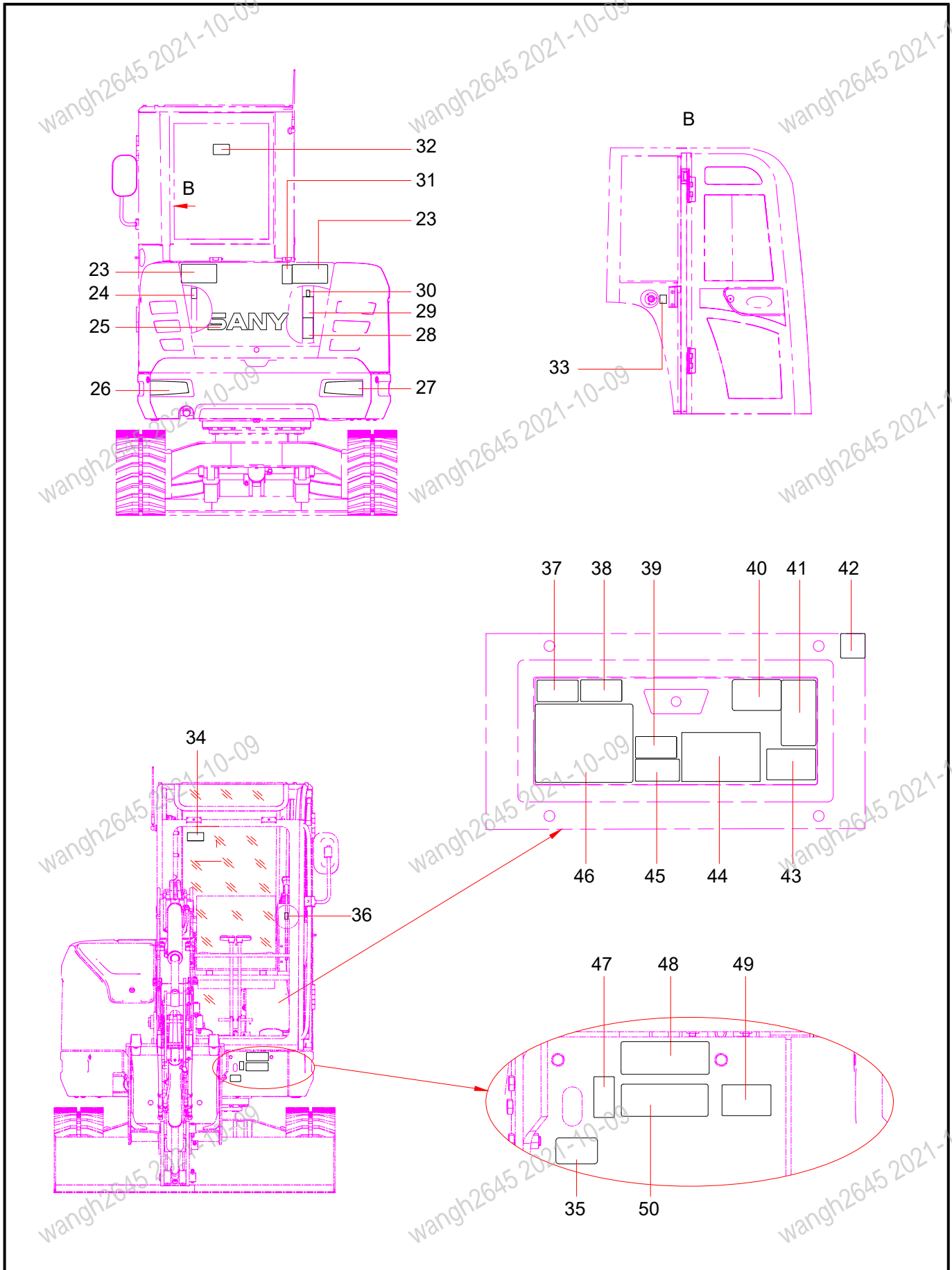
Coating



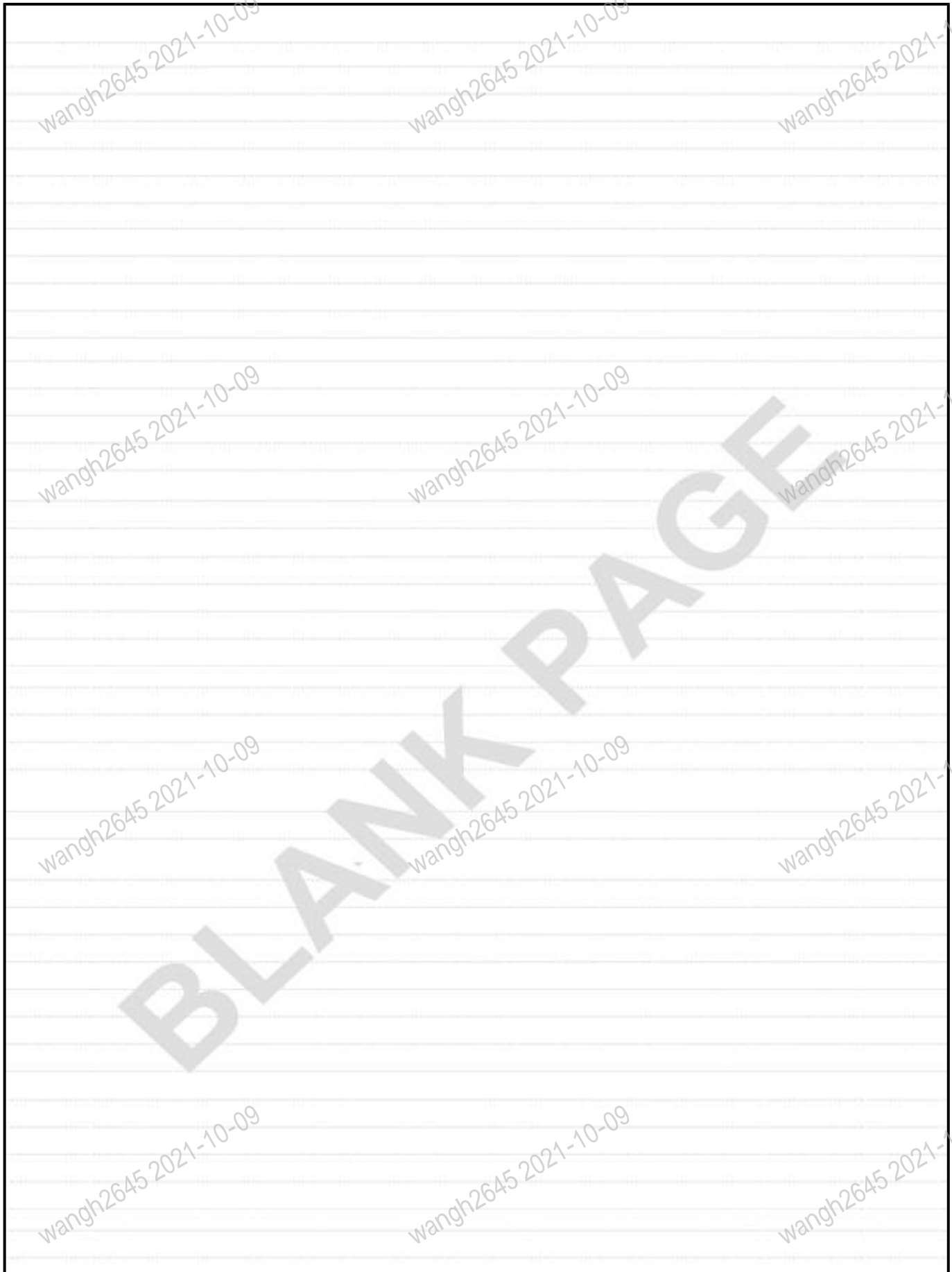
INDEX	PART NO.	DESCRIPTION	QTY	SEE PAGE
1	13793488	left boom marking	1	
2	12052087	Mark Diagram of Hook Point	4	
3	13132226	Noise marker	1	
4	10124614	Caution Plate of Bucket Rod	2	
5	13166446	Fixed Loading Spot Mark	4	
6	A820603000246	Forward Direction Indication	2	
7	13166422	Caution board of tension device	2	
8	13791650	machine body left decal	1	
9	A820601000014	Control Indicating Board of Bulldozing Shovel	1	
10	A820601990961	Decal Instruction Operation	1	
11	11992504	Scheduled cleaning radiator nameplate	1	
12	13132230	Logo plate of fuel tank	1	
13	14255993	Coating	1	
14	12016795	Caution board of "No Standing"	1	



INDEX	PART NO.	DESCRIPTION	QTY	SEE PAGE
2	12052087	Mark Diagram of Hook Point	4	
4	10124614	Caution Plate of Bucket Rod	2	
5	13166446	Fixed Loading Spot Mark	4	
6	A820603000246	Forward Direction Indication	2	
7	13166422	Caution board of tension device	2	
16	13791651	machine body right decal	1	
17	14142123	The deflection cylinder decals	1	
18	13793494	boom right marking	1	
19	13148777	Power Sign	1	
20	A820601990928	Oil Level Label	1	
21	13711158	Decal, Oil Level	1	
22	12496540	Antispray caution plate	1	

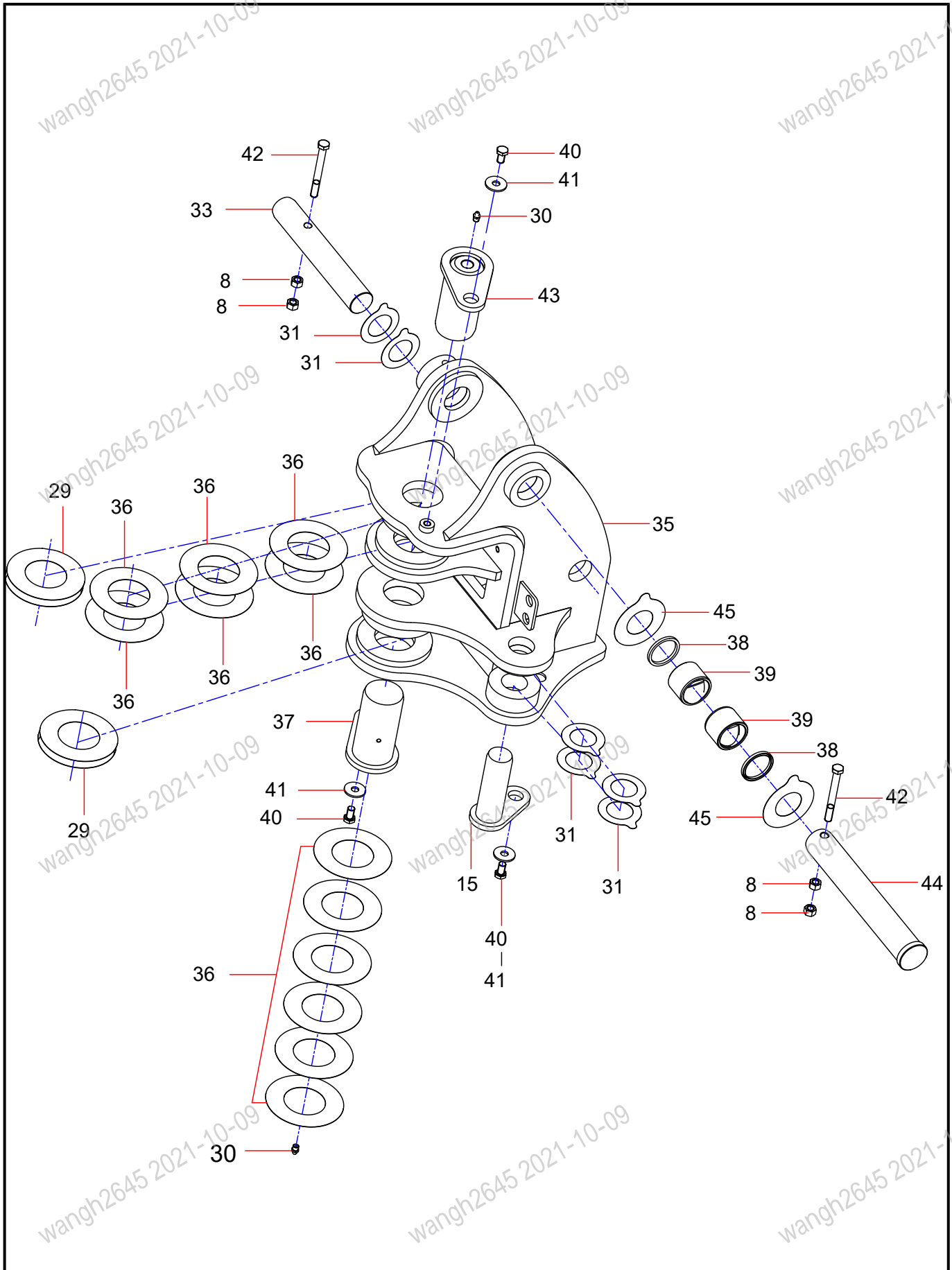


INDEX	PART NO.	DESCRIPTION	QTY	SEE PAGE
23	A820601991049	Counterweight Warning Board	2	
24	12648410	fuel cleaner decal	1	
25	12880634	counerweight marking	1	
26	13166523	Counterweight left reflective coating	1	
27	13166529	Counterweight right reflective coating	1	
28	12496544	Caution board of belt security	1	
29	12052082	Fan tough caution board	1	
30	13132241	Power supply socket	1	
31	12052083	Warning nameplate for hand burning	1	
32	12052089	Security exit nameplate	1	
33	A820601990927	Decal, Unlock	1	
34	12052088	Front Window Lock Caution Board	1	
35	11172196	Revolving gear oil filler mark	1	
36	13155987	Leading Switch Mark	1	
37	13132162	Key Power-down Caution Panel	1	
38	13132160	Warning board for high pressure avoidance	1	
39	13132155	Refer to the Caution Plate of User'S Guide	1	
40	A820601990967	Decal Instruction Seat Adjustment	1	
41	12076696	Caution board of "No handhold"	1	
42	13504946	Emergency Stop Switch	1	
43	13156069	Foot Pedal Mark	1	
44	13149157	Preheating Caution Board	1	
45	13132193	Seat safety caution board	1	
46	13735108	Lubricating graphic chart	1	
47	13247470	Slewing bearing oil filler mark	1	
48	14118697	Nameplate	1	
49	13411269	Lifting Mark	1	
50	14373383	FOPS& TOPS Card	1	

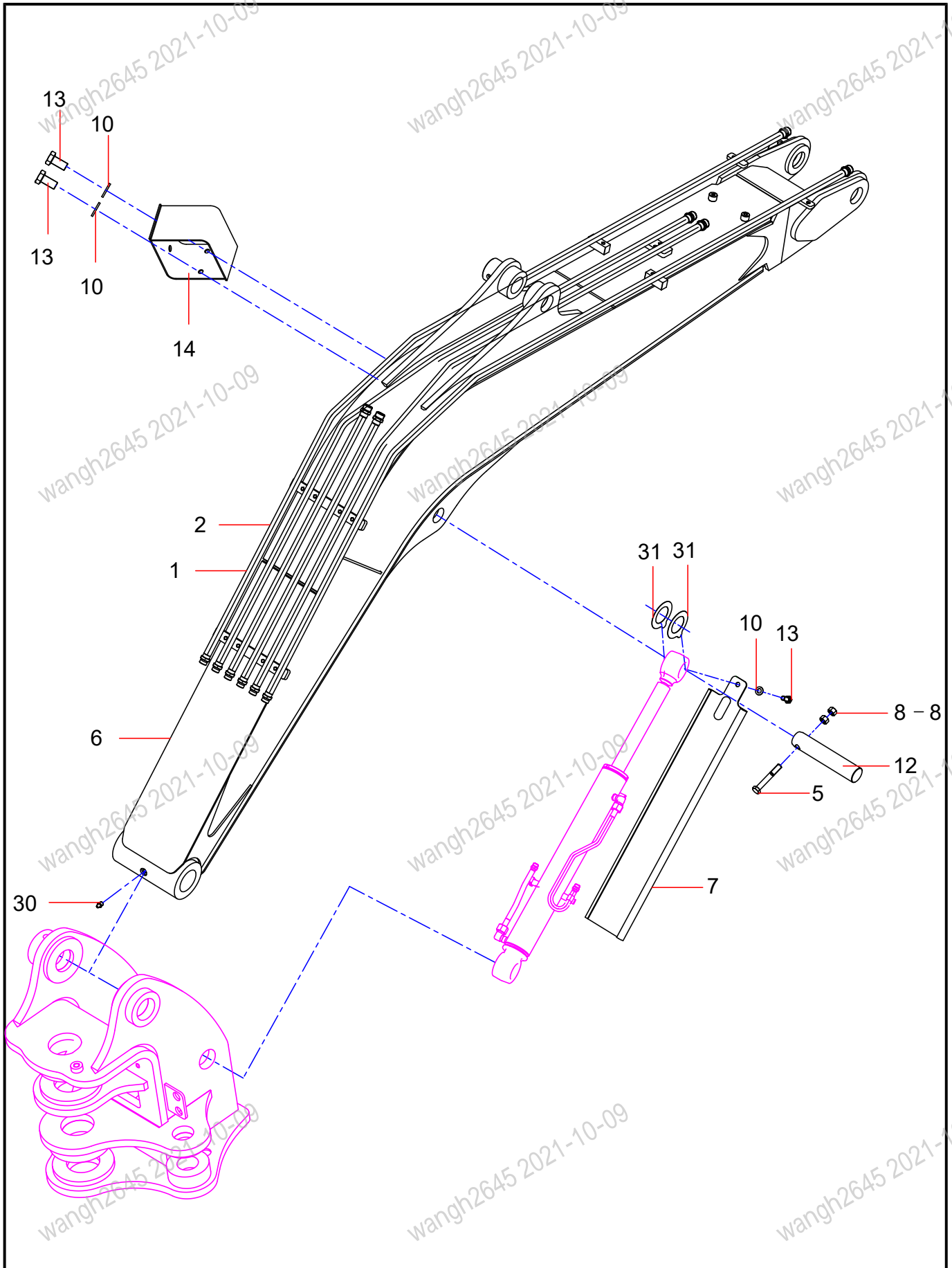


Group 6

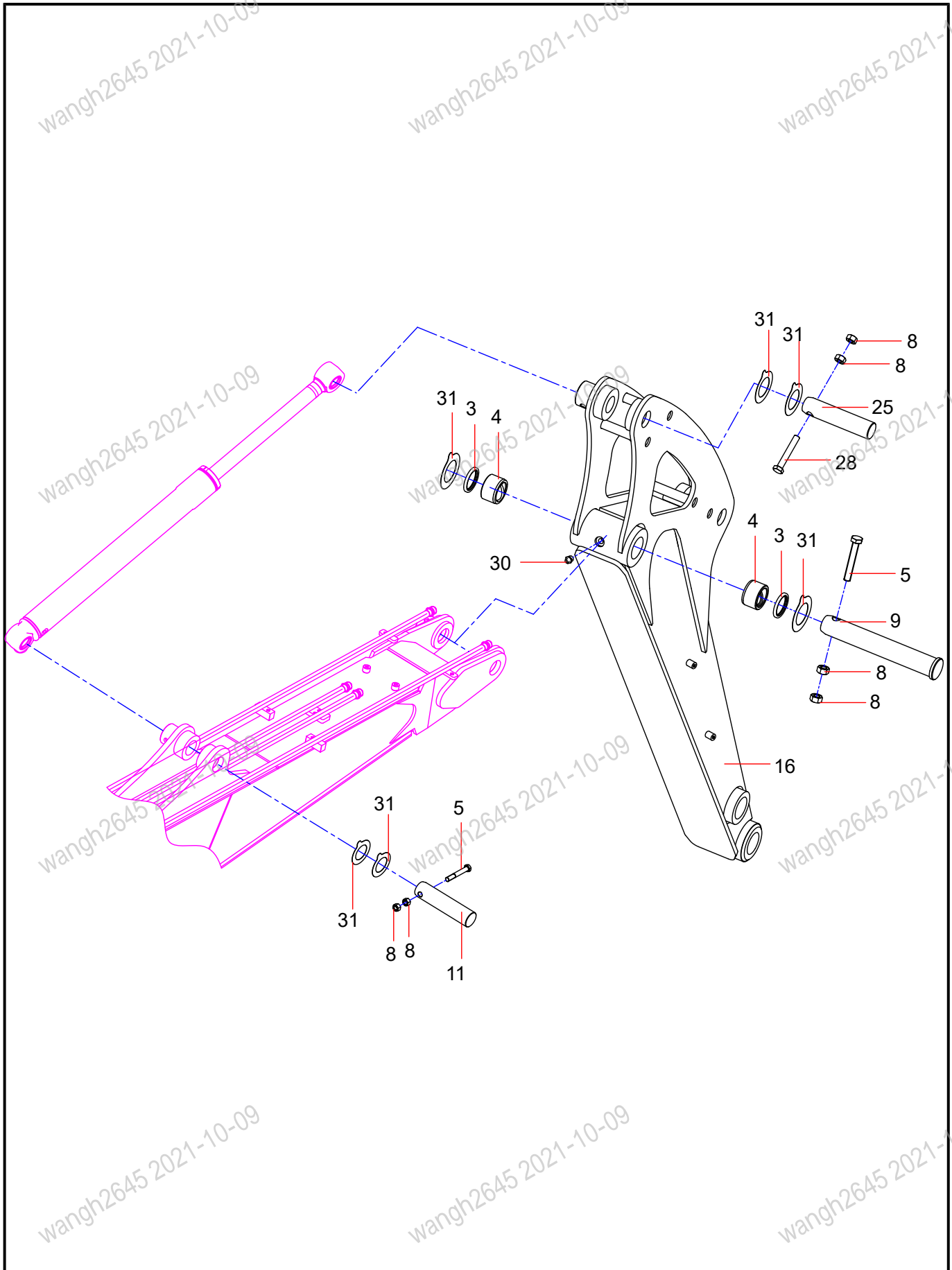
Work Device



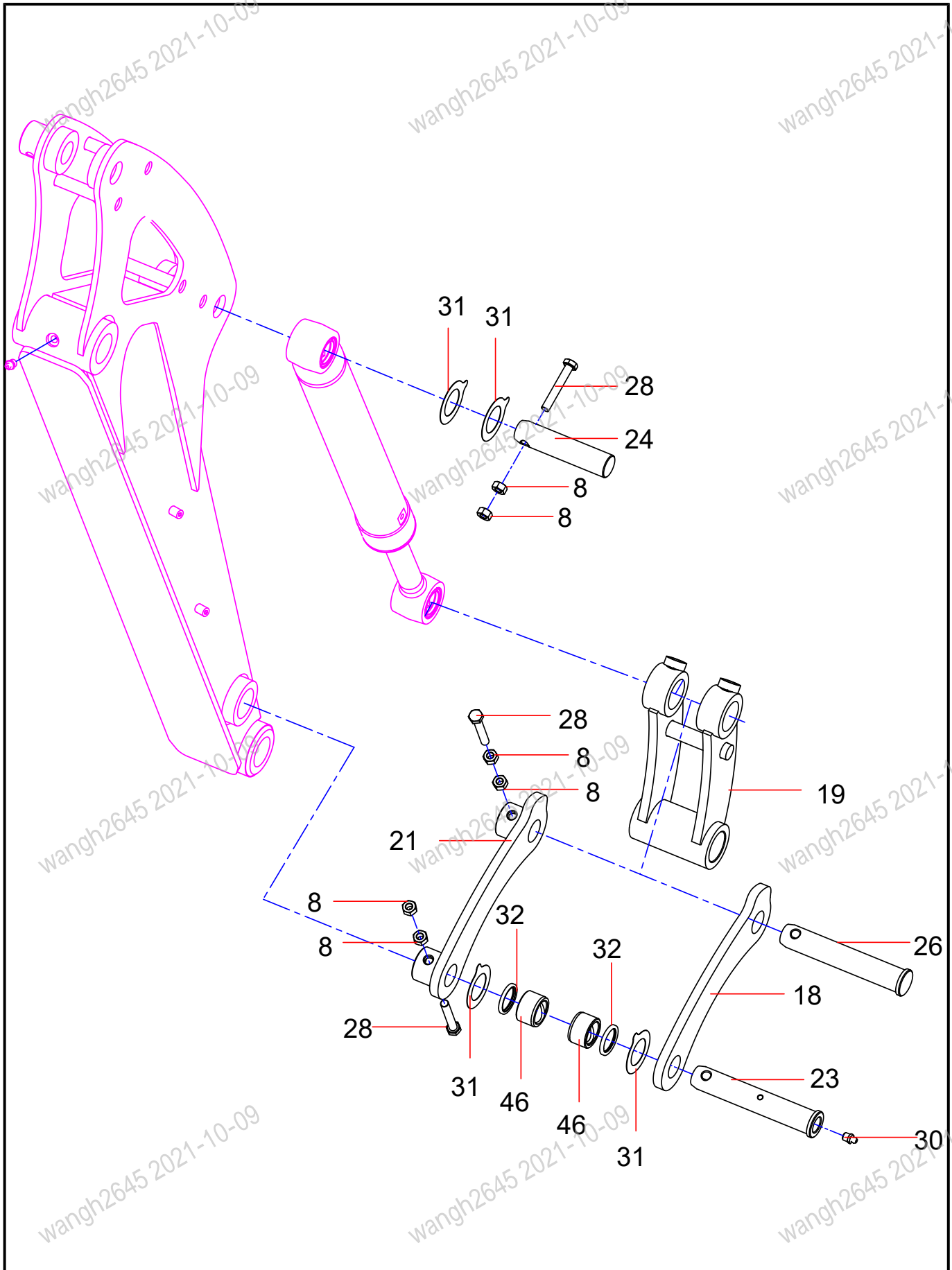
INDEX	PART NO.	DESCRIPTION	QTY	SEE PAGE
8	A210307000031	Nut	22	
15	13072985	Brace piece axial pin	1	
29	13529173	Spacer	2	
30	A210804000002	Fitting, Grease	9	
31	13063804	Spacer	24	
33	13063806	shaft	1	
35	13072929	support	1	
36	A820102010793	Shim	12	
37	13077579	Brace piece axial pin	1	
38	B230101001119	Dust Ring	2	
39	SSY005130030	shaft sleeve	2	
40	A210111000199	Bolt	3	
41	60060548	Washer	3	
42	A210204000455	Screw	2	
43	13077577	Brace piece axial pin	1	
44	13063805	shaft 2	1	
45	10574180	Spacer	2	



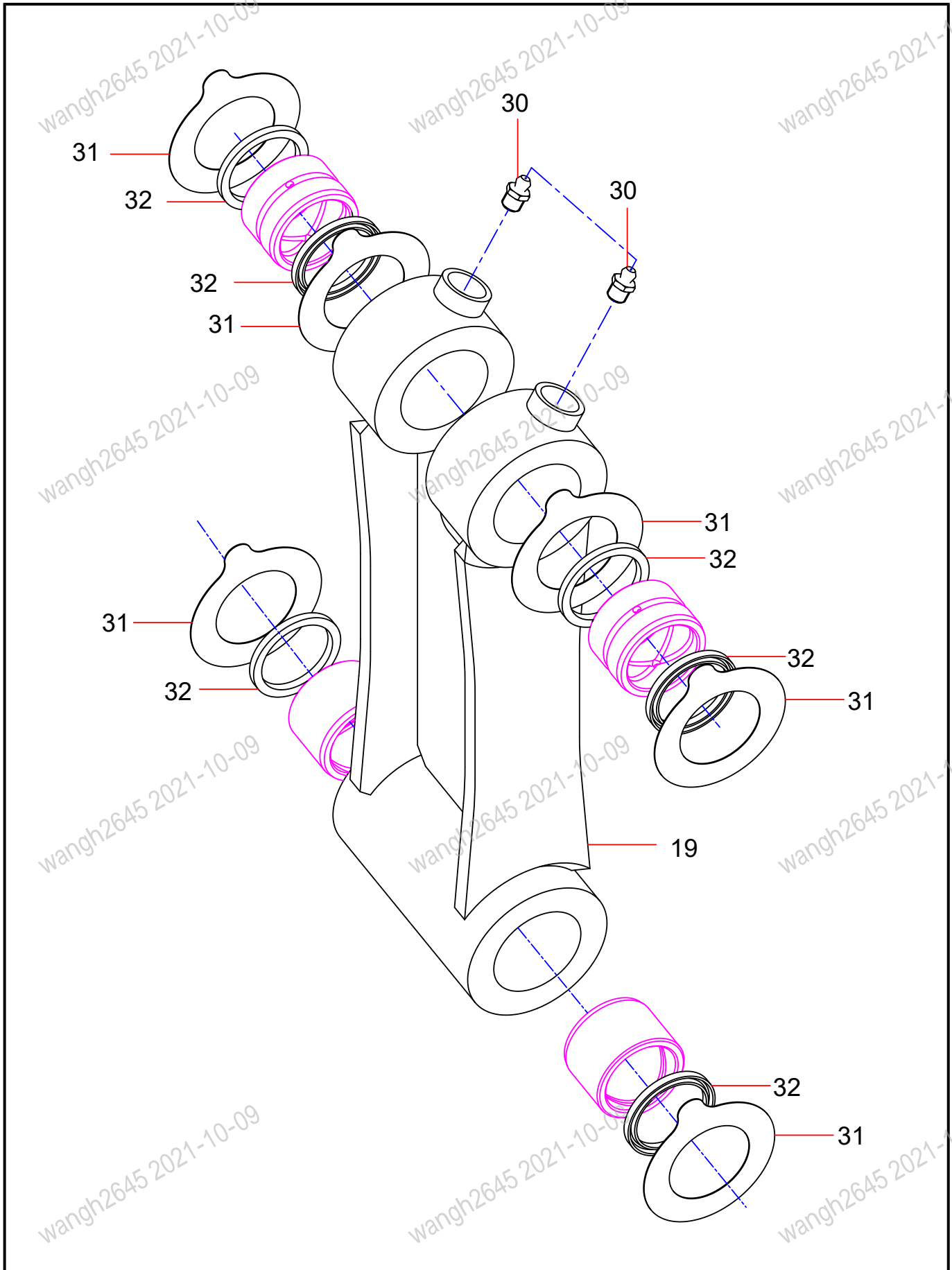
INDEX	PART NO.	DESCRIPTION	QTY	SEE PAGE
1	13070069	Work device hydraulic Tube	1	6-14
5	A210110000323	Bolt	4	
6	13071065	Boom	1	
7	13063812	Oil cylinder protecting board	1	
8	A210307000031	Nut	22	
10	A210491000120	Washer	3	
12	13063776	shaft	1	
13	A210111000012	Bolt	3	
14	14158506	cover	1	
30	A210804000002	Fitting, Grease	9	
31	13063804	Spacer	24	



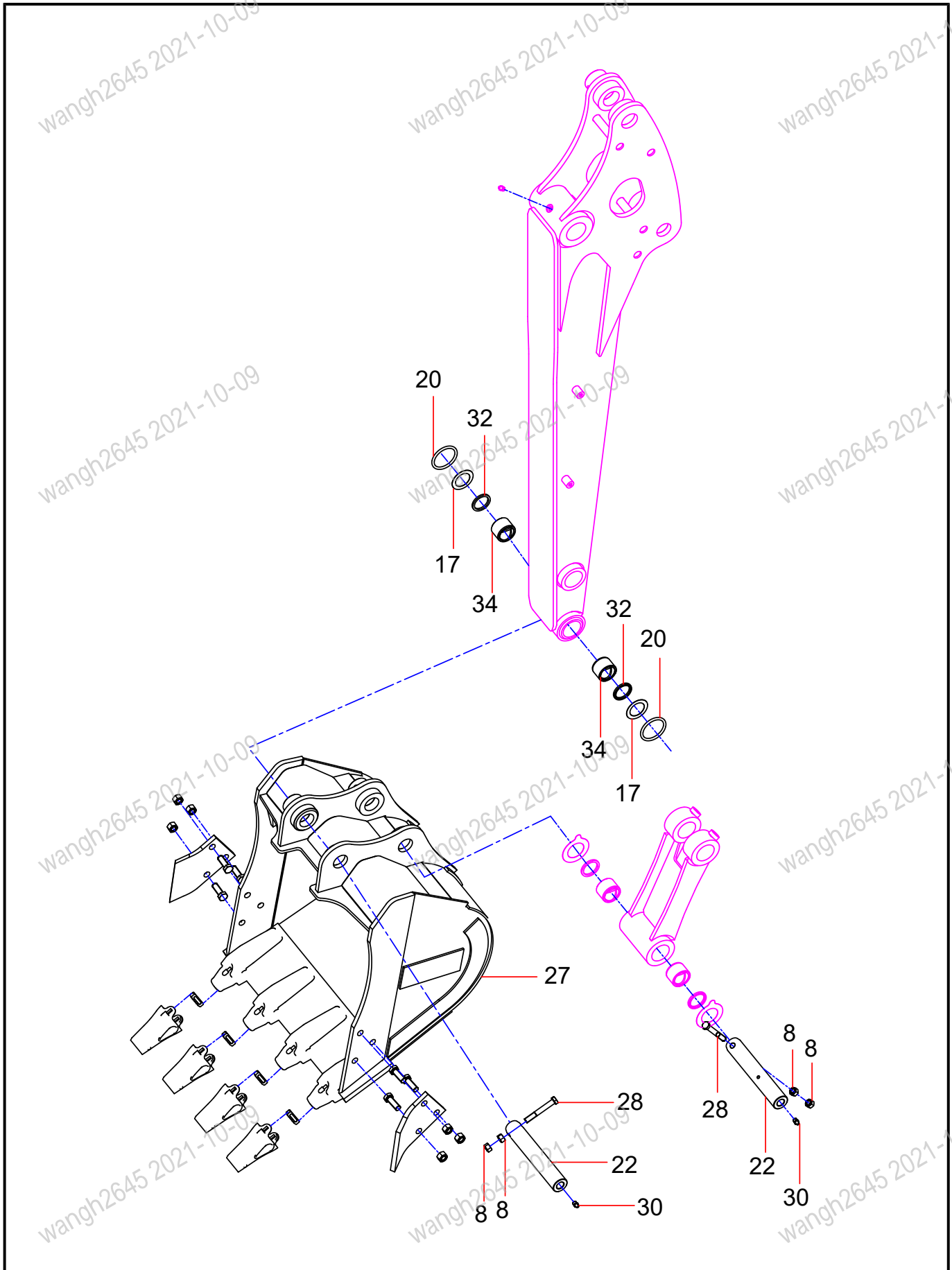
INDEX	PART NO.	DESCRIPTION	QTY	SEE PAGE
3	A230101000323	seal ring	2	
4	SSY005130028	shaft sleeve	2	
5	A210110000323	Bolt	4	
8	A210307000031	Nut	22	
9	13072971	shaft	1	
11	13063797	Shaft	1	
16	13070881	ARM	1	
25	13063799	Shaft	1	
28	A210110000014	Bolt	5	
30	A210804000002	Fitting, Grease	9	
31	13063804	Spacer	24	



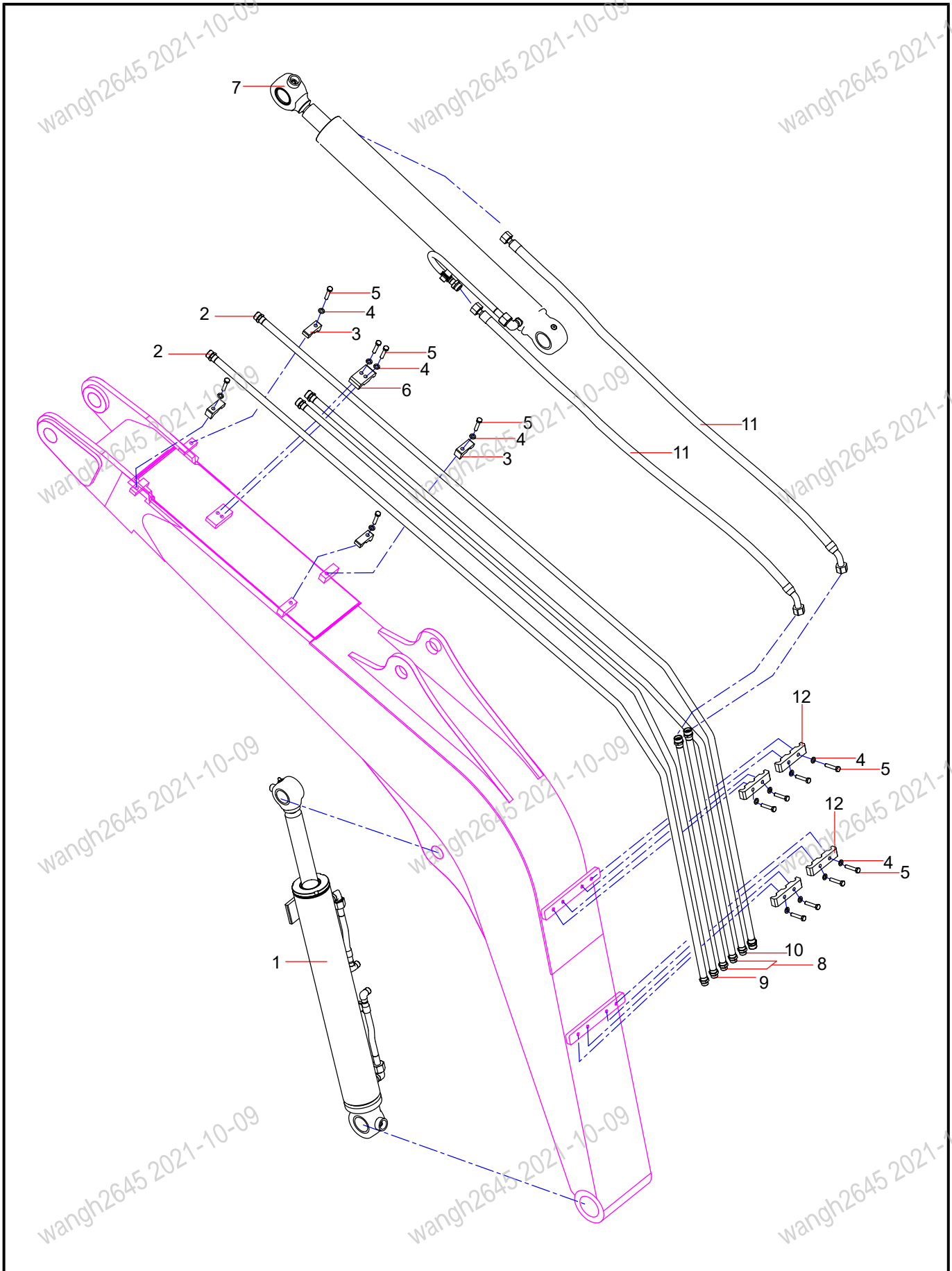
INDEX	PART NO.	DESCRIPTION	QTY	SEE PAGE
8	A210307000031	Nut	22	
18	13075351	Rocker	1	
19	SSY004695251	connectin grod assembly	1	6-24
21	13075352	Rocker	1	
23	13073232	Shaft	1	
24	13072973	Shaft	1	
26	13072974	Shaft	1	
28	A210110000014	Bolt	5	
30	A210804000002	Fitting, Grease	9	
31	13063804	Spacer	24	
32	60176725	Dust Ring	10	
46	SSY005130033	shaft sleeve	2	



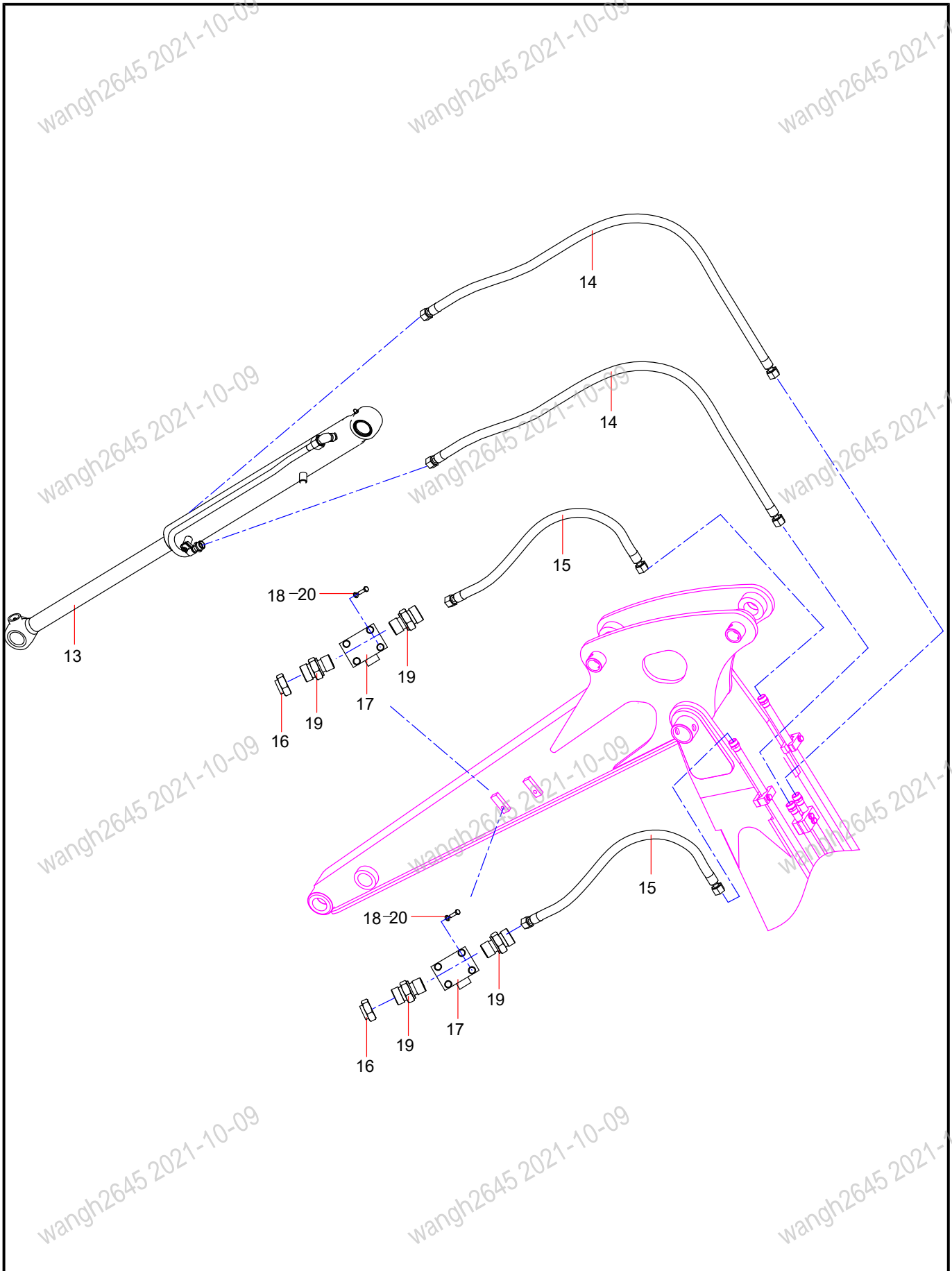
INDEX	PART NO.	DESCRIPTION	QTY	SEE PAGE
19	SSY004695251	connectin grod assembly	1	6-24
30	A210804000002	Fitting, Grease	9	
31	13063804	Spacer	24	
32	60176725	Dust Ring	10	



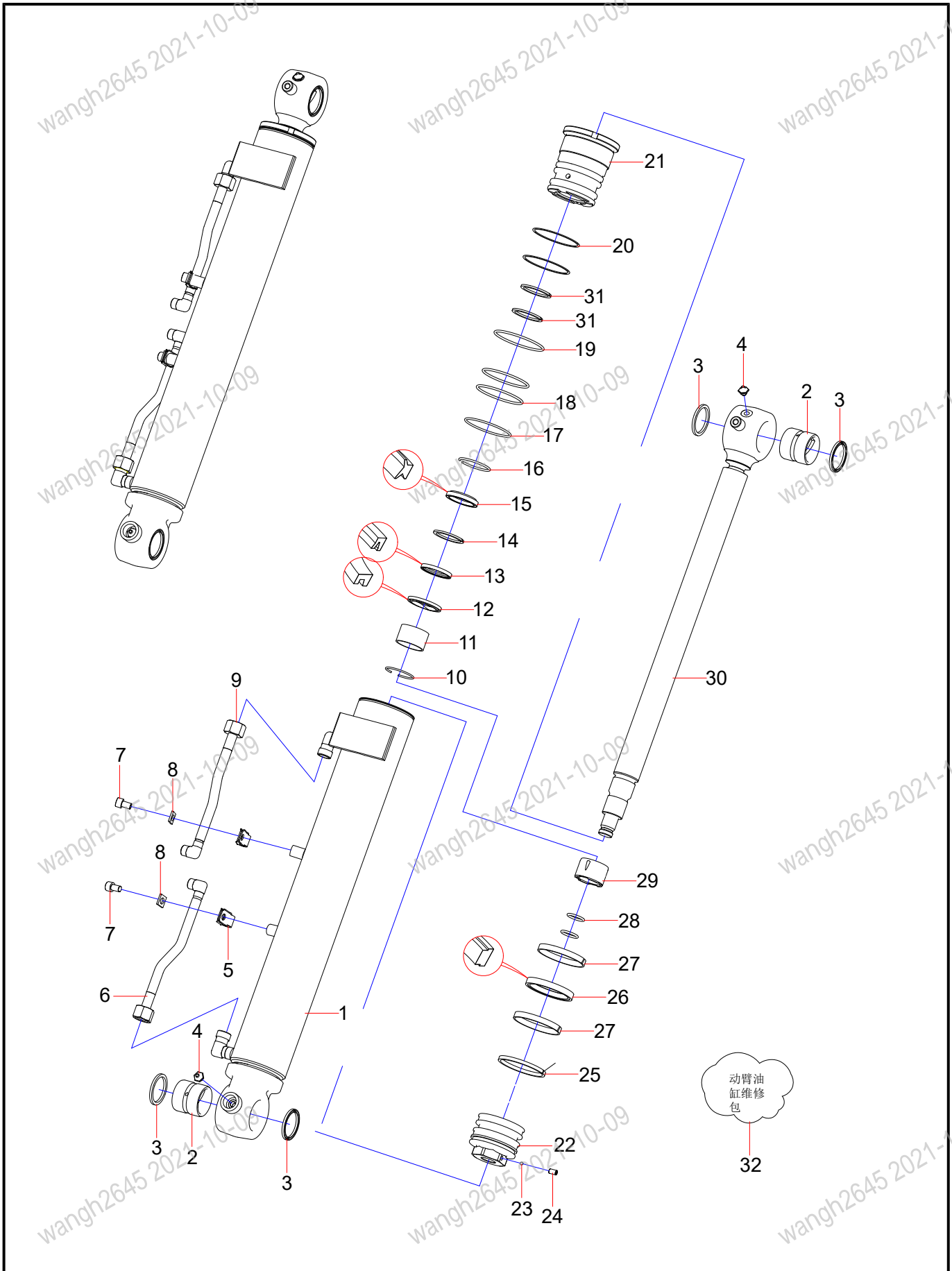
INDEX	PART NO.	DESCRIPTION	QTY	SEE PAGE
8	A210307000031	Nut	22	
17	13085812	Spacer	2	
20	A210608000086	O-ring	2	
22	13072975	Shaft	2	
27	13075553	Bucket	1	6-26
28	A210110000014	Bolt	5	
30	A210804000002	Fitting, Grease	9	
32	60176725	Dust Ring	10	
34	13064724	Shaft Sleeve	2	



INDEX	PART NO.	DESCRIPTION	QTY	SEE PAGE
1	13019985	Movable boom cylinder	1	6-18
2	13054004	steel tube assembly	2	
3	13908765	Pipe Nip	4	
4	24000633	Washer	14	
5	A210111000093	Bolt	14	
6	SSY004684894	Pipe Nip	1	
7	13048968	Cylinder, arm	1	6-20
8	13053966	steel tube assembly	2	
9	13053604	steel tube assembly	1	
10	13053950	steel tube assembly	1	
11	B230103005316	Rubber Hose	2	
12	13908742	Pipe Nip	4	

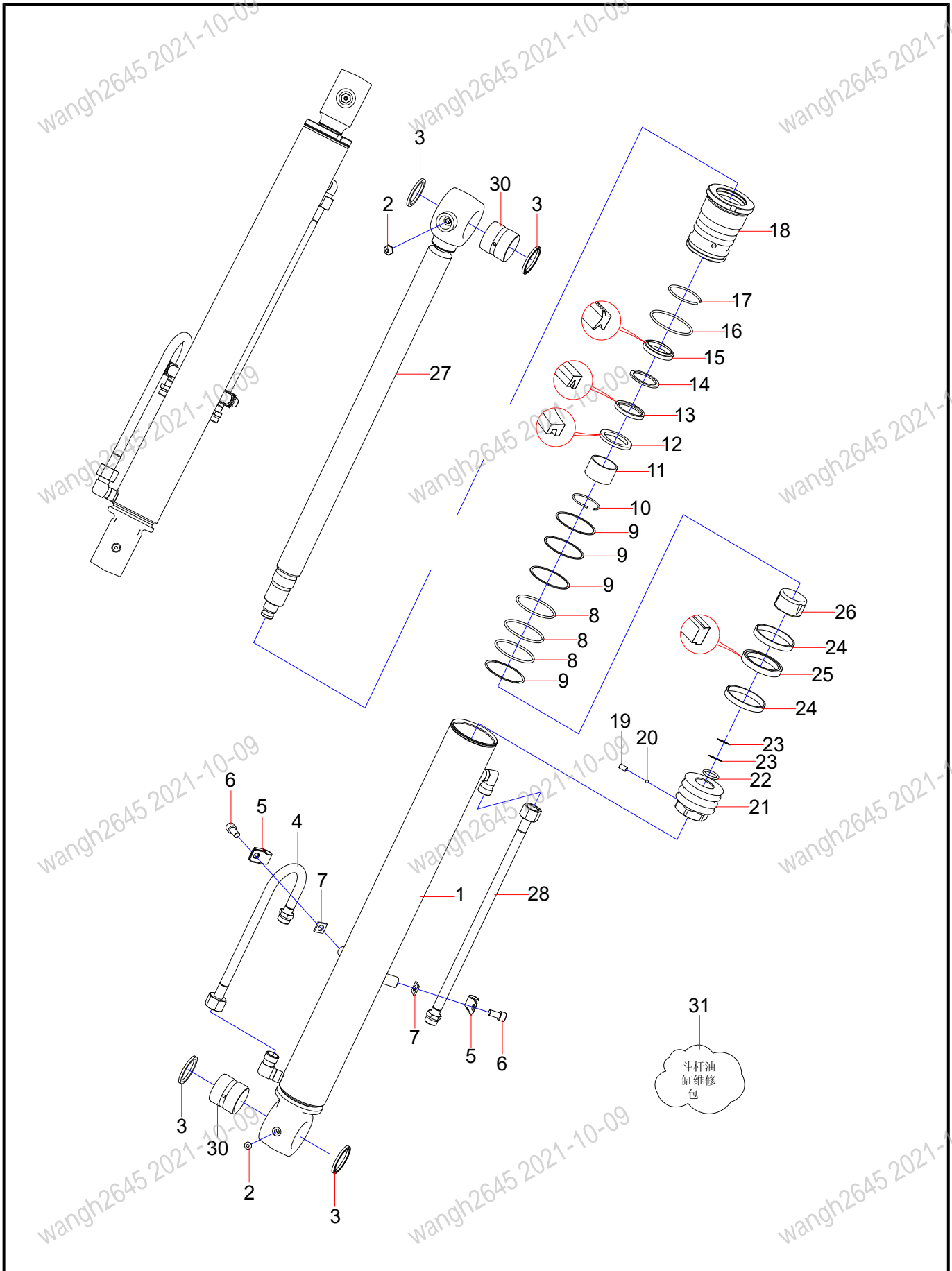


INDEX	PART NO.	DESCRIPTION	QTY	SEE PAGE
13	14185680	Bucket Oil Cylinder	1	6-22
14	61016420	Hose	2	
15	151005160081A	Hose AS	2	
16	21017994	Choke Plug	2	
17	60246980	Ball Valve	2	
18	A210204000218	Screw	8	
19	B210780000043	Adapter Fitting	4	
20	24000632	Washer	8	

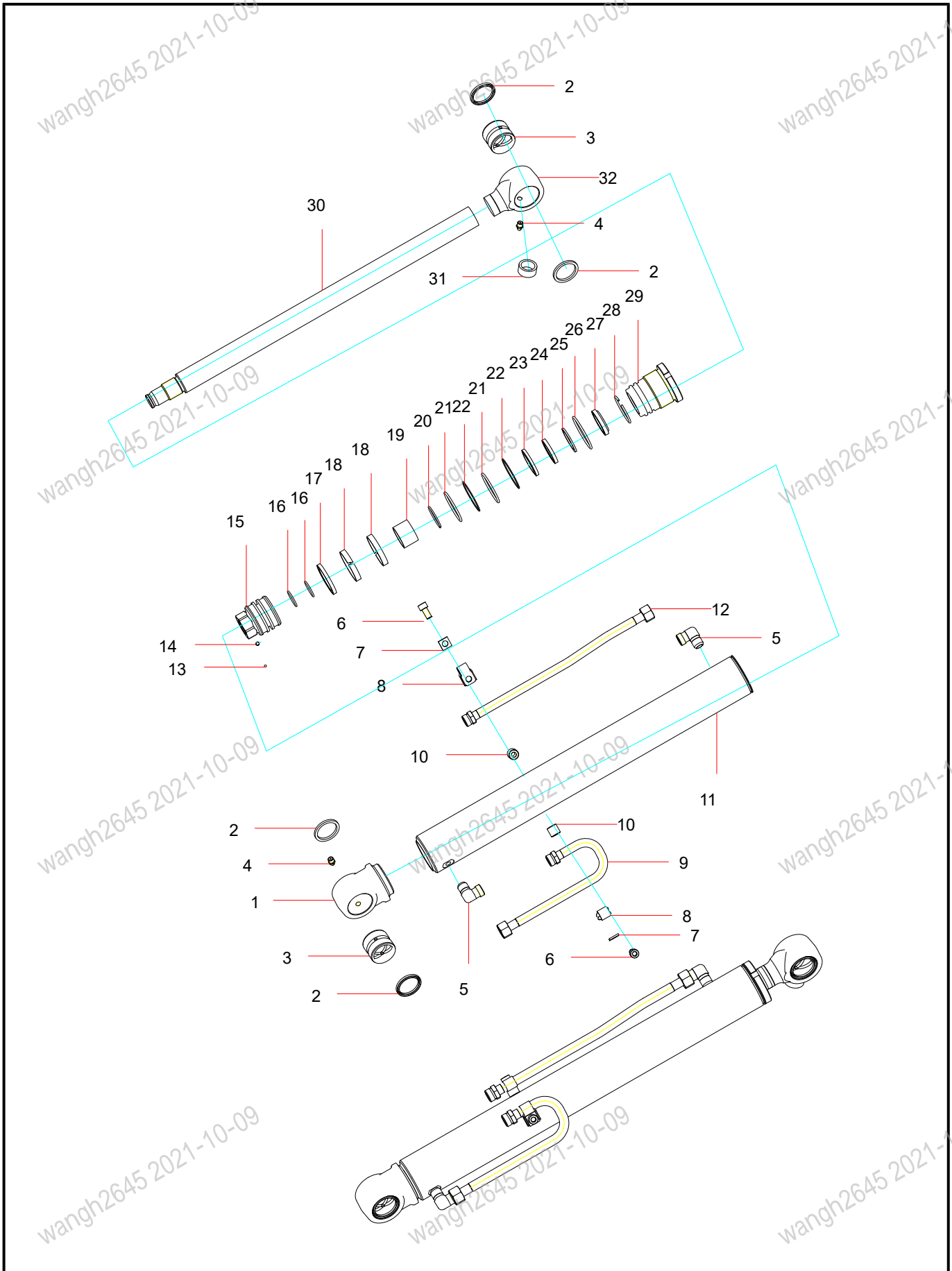


INDEX	PART NO.	DESCRIPTION	QTY	SEE PAGE
1	13047761	Cylinder Assem.	1	
2	13047577	Bush	2	
3	60176726	Dust Ring	4	
4	A229900010158	Oil Cup	2	
5	13046617	Pipe Clamp	2	
6	13047767	Oil tube component	1	
7	A210204000202	Screw	2	
8	13039393	Washer	2	
9	13047769	Oil tube component II	1	
10	60183946	Retaining Ring	1	
11	60180960	Bushing	1	
12	60176730	Seal Ring	1	
13	60176732	Seal Ring	1	
14	60180968	Ring Retaining	1	
15	60176723	Dust Ring	1	
16	A210417000107	Retainer Ring	1	
17	A210608000098	O-ring	3	
18	B230101000709	O-ring	2	
19	A210609000082	Ring	1	
20	B229900001470	Retainer Ring	2	
21	13047573	guide sleeve	1	
22	13047574	Piston	1	
23	A210661000016	Steel Ball	1	
24	A210206000004	Screw	1	
25	60192119	Anti-Pollution Loop	1	
26	60184746	Seal Ring	1	
27	B230101001878	Guide Ring	2	
28	B230101000580	O-ring	2	
29	13047576	Bumper Sleeve	1	
30	13047759	Piston Rod	1	
31	B229900006227	Retainer Ring	2	
32	60248047	Cylinder Repair Kit	1	

13048968 Cylinder, arm

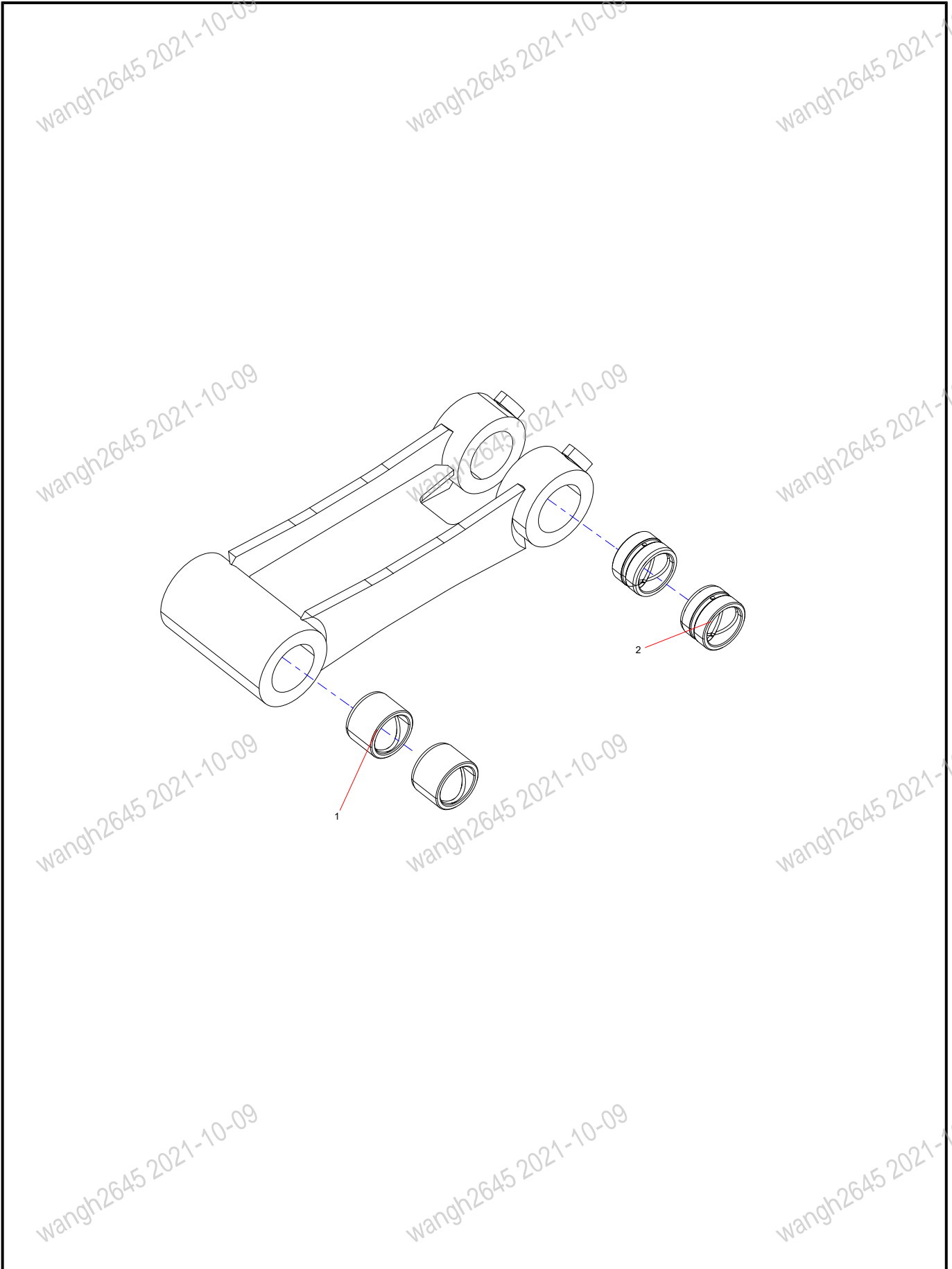


INDEX	PART NO.	DESCRIPTION	QTY	SEE PAGE
1	13048971	Cylinder Assem.	1	
2	11261296	Guide Bush	1	
3	60176726	Dust Ring	4	
4	13048308	Oil Pipe Component	1	
5	13046617	Pipe Clamp	2	
6	A210204000196	Screw	2	
7	13039393	Washer	2	
8	B230101000414	O-ring	3	
9	B229900001477	Ring, Retainer	4	
10	60183946	Retaining Ring	1	
11	60180960	Bushing	1	
12	60176730	Seal Ring	1	
13	60176732	Seal Ring	1	
14	60180968	Ring Retaining	1	
15	60176723	Dust Ring	1	
16	A210609000135	O-ring	1	
17	A210417000109	Retainer Ring	1	
18	13048966	Guide Sleeve	1	
19	A210206000004	Screw	1	
20	A210661000016	Steel Ball	1	
21	13048967	Piston	1	
22	A210609000155	O Ring	1	
23	24004190	Retainer Ring	2	
24	B230101001681	Guide Ring	2	
25	60035793	Seal Ring	1	
26	13048179	Bumper Sleeve	1	
27	13048970	Piston Rod	1	
28	13230055	Oil tube component I	1	
30	13048180	Bush	1	
31	60248048	Cylinder Repair Kit	1	

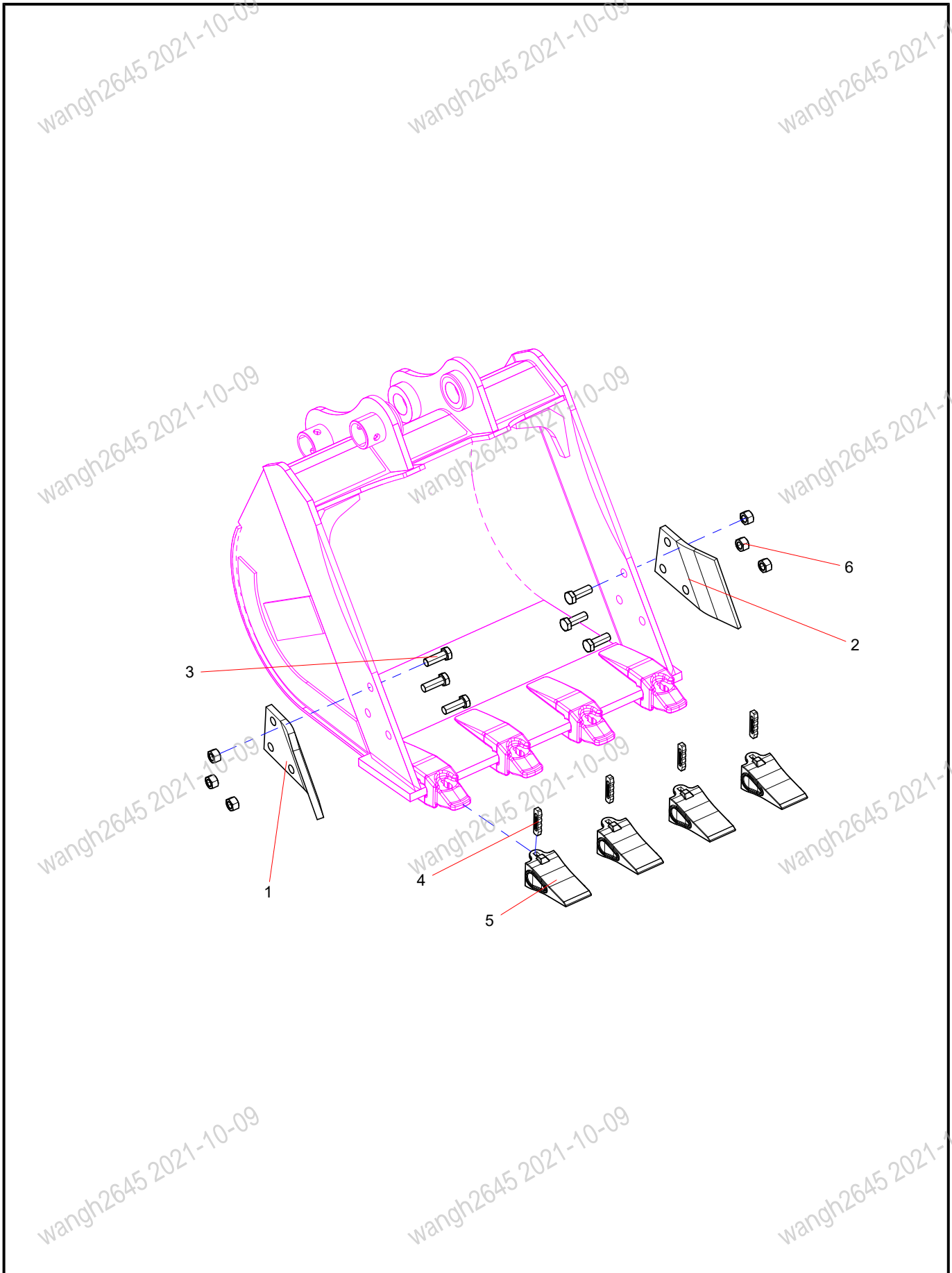


INDEX	PART NO.	DESCRIPTION	QTY	SEE PAGE
1	13047700	end cover	1	
2	60255848	Dust Ring	4	
3	13047575	Bush	2	
4	A210804000002	Fitting, Grease	2	
5	13008027	Elbow adaptor	2	
6	A210204000196	Screw	2	
7	13039393	Washer	2	
8	13046617	Pipe Clamp	2	
9	14185688	Oil tube component	1	
10	14185683	Fixed frame	2	
11	14185682	Cylinder Body	1	
12	14185686	Oil tube component	1	
13	A210661000015	Steel Ball	1	
14	60068694	Screw	1	
15	13047527	Piston	1	
16	B230101001214	O-ring	2	
17	A880806030220	OK-seal Ring	1	
18	A880803040003	Guide Ring	2	
19	60035658	Bushing	1	
20	A210417000045	Retainer Ring	1	
21	B230101000235	O-ring	2	
22	24004188	Ring, Retainer	2	
23	60184737	Seal Ring	1	
24	60035790	Seal Ring	1	
25	60035652	Ring Retaining	1	
26	A210609000168	O-ring	1	
27	60184718	Dust Ring	1	
28	A210417000107	Retainer Ring	1	
29	13048175	Guide Sleeve	1	
30	13370362	Rod Body	1	
31	11258271	Protective Bush	1	
32	13370361	Earring	1	

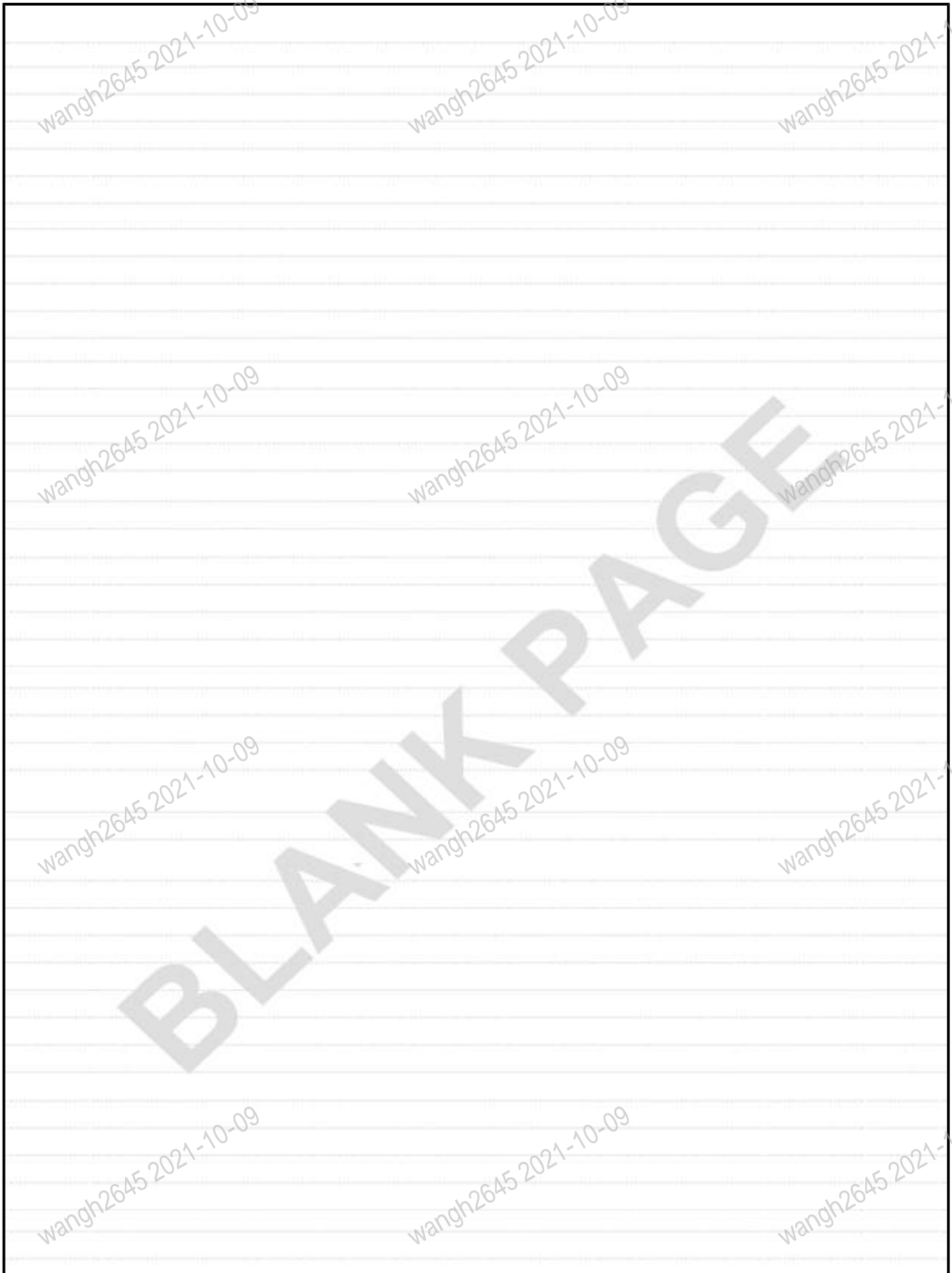
SSY004695251 connectin grod assembly



INDEX	PART NO.	DESCRIPTION	QTY	SEE PAGE
1	13073008	Shaft Sleeve	2	
2	13064724	Shaft Sleeve	2	

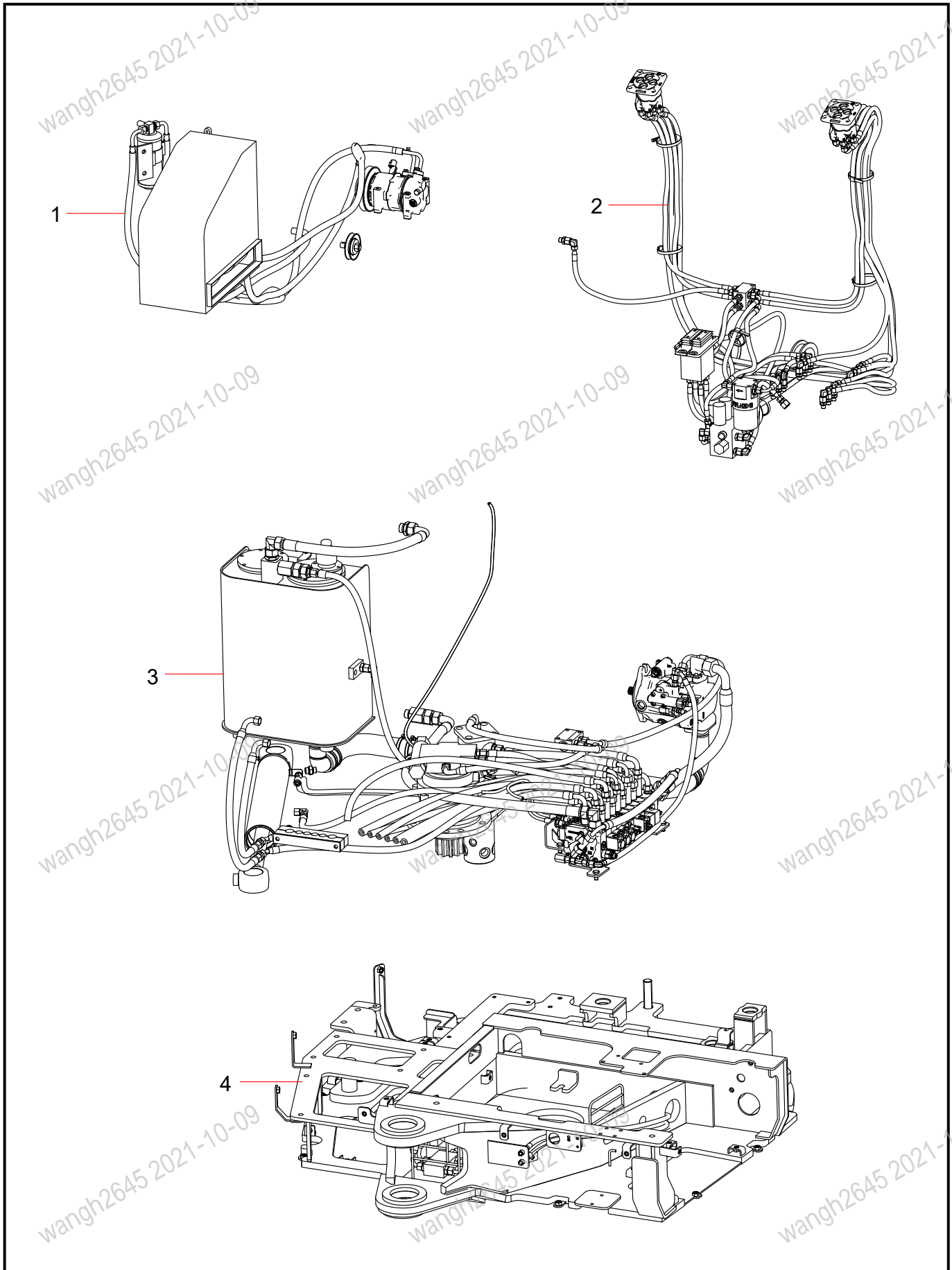


INDEX	PART NO.	DESCRIPTION	QTY	SEE PAGE
1	13063808	Left tooth	1	
2	13063809	Right tooth	1	
3	A210111000208	Bolt	6	
4	13073197	pin	4	
5	13063810	Bucket Tooth	4	
6	A210307000002	Nut	6	

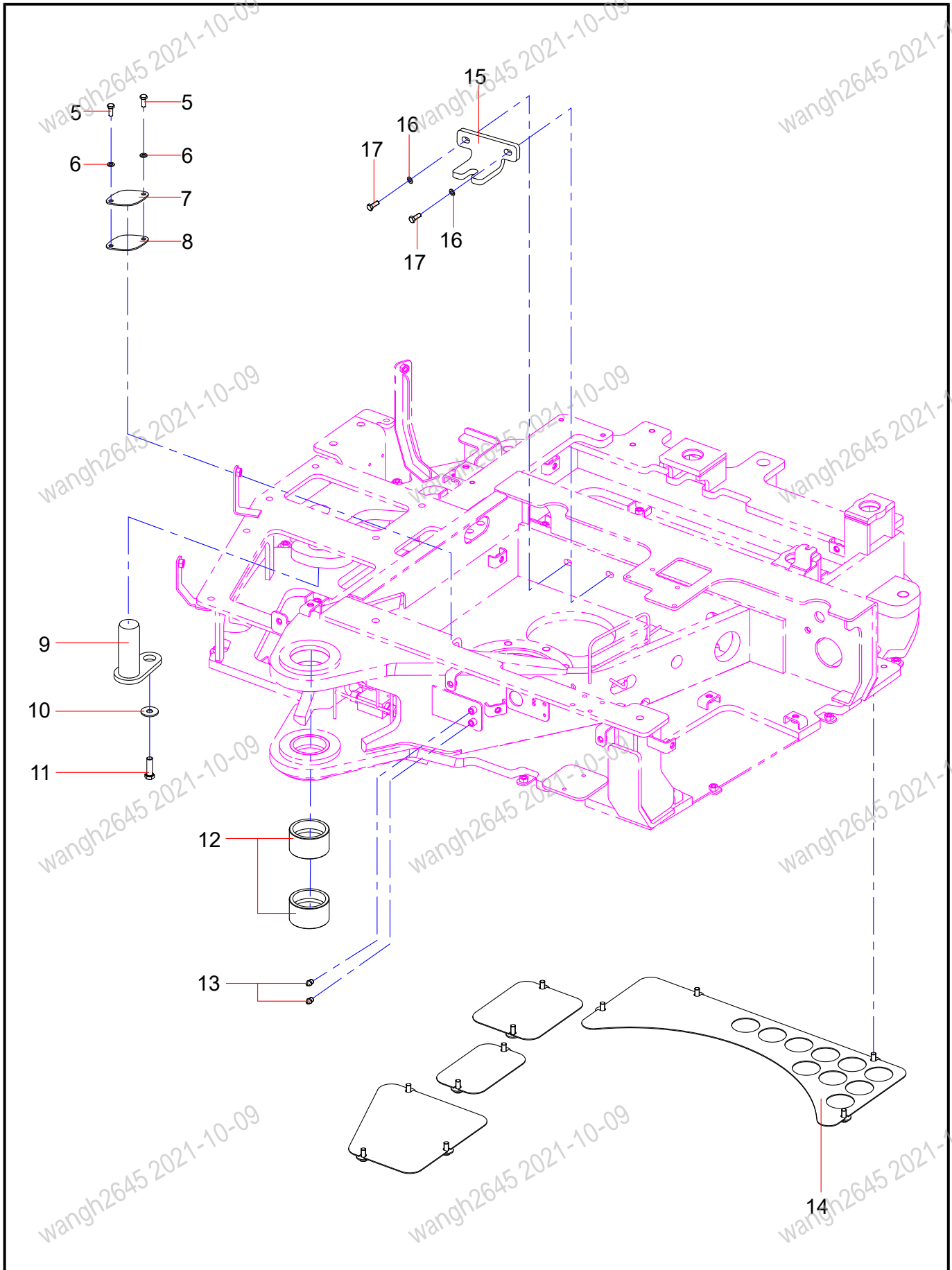


Group 7

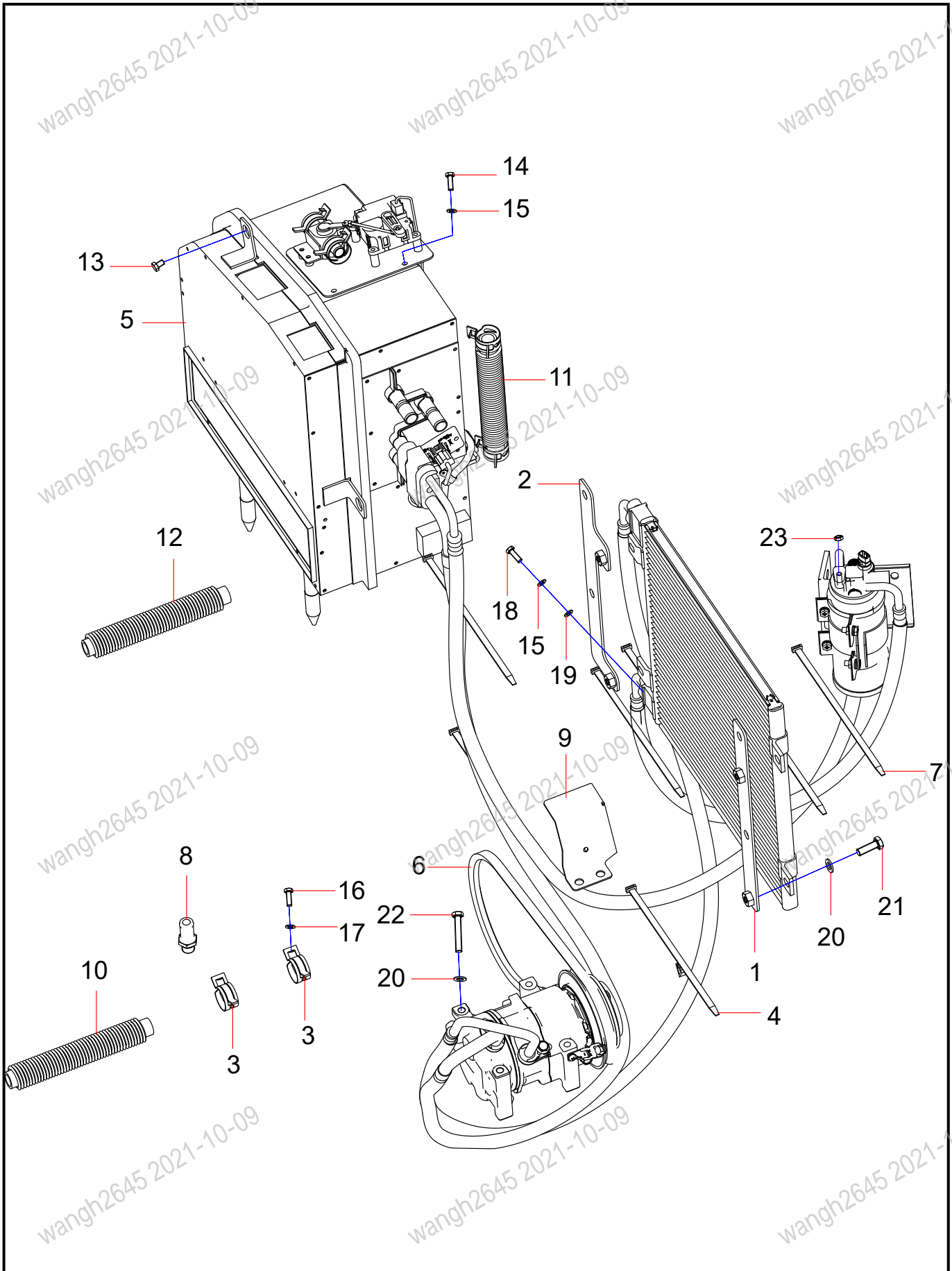
Slewing devic



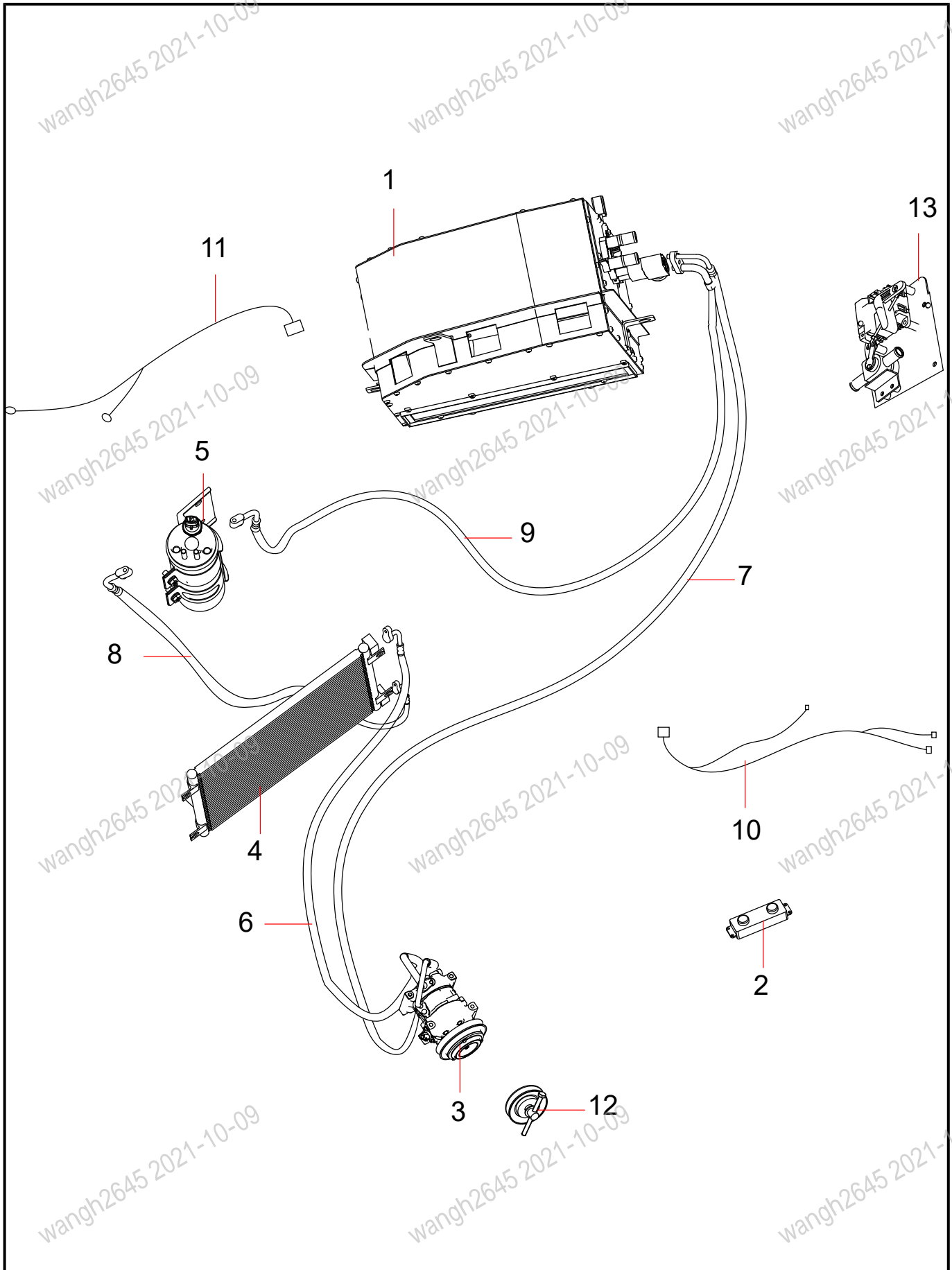
INDEX	PART NO.	DESCRIPTION	QTY	SEE PAGE
1	13134502	air condition	1	7-6
2	14502462	Pilot pipeline	1	7-12
3	14502460	Main pipeline	1	7-50
4	SSY005117927	revolving frame	1	



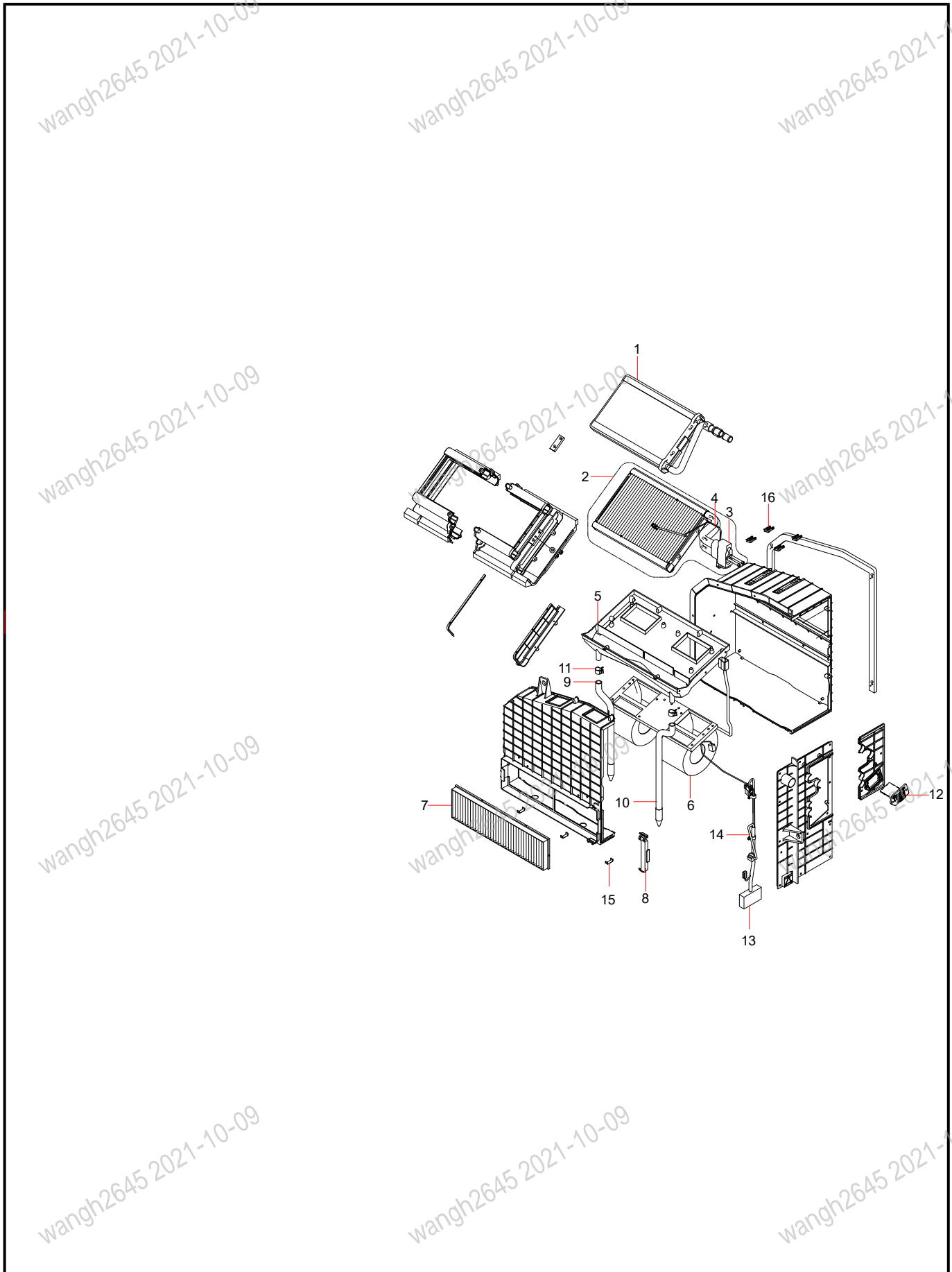
INDEX	PART NO.	DESCRIPTION	QTY	SEE PAGE
5	A210204000220	Screw	4	
6	24000633	Washer	4	
7	12996227	Cover Plate	2	
8	13068305	Spacer	2	
9	13073470	Brace piece axial pin	1	
10	60060548	Washer	1	
11	A210204000338	Screw	1	
12	13073618	Shaft Sleeve	2	
13	A210804000002	Fitting, Grease	2	
14	13097119	sealing board assembly	1	7-108
15	13080058	fixed frame	1	
16	A210491000120	Washer	2	
17	A210111000197	Bolt	2	



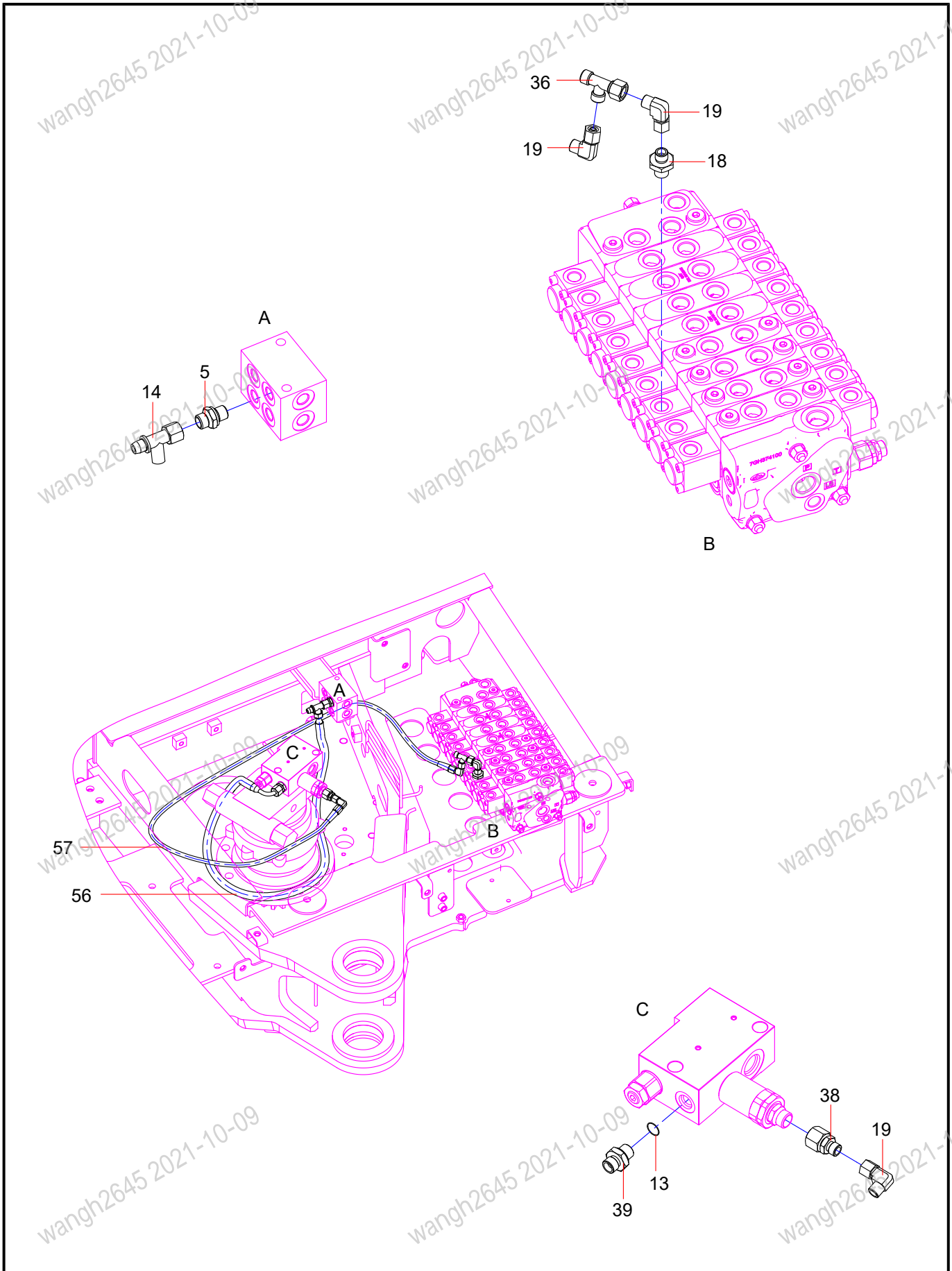
INDEX	PART NO.	DESCRIPTION	QTY	SEE PAGE
1	13208679	left support of condenser	1	
2	13208681	right support of condenser	1	
3	60166393	Split Flow Gear Pump	6	
4	60197034	Cluster Fixed Lace	5	
5	61017617	Air Condition	1	7-8
6	A230106000304	Triangular Belt	1	
7	A239900000065	Nylon Belting	8	
8	10453599	Connector	1	
9	13418200	compressor protective	1	
10	13473028	Pipe	1	
11	11084197	Pipe, hot pipe, air conditioner	1	
12	13528968	Pipe	1	
13	A210111000293	Bolt	3	
14	A210111000079	Bolt	4	
15	24000632	Washer	10	
16	A210111000195	Bolt	2	
17	24000637	Washer	2	
18	A210111000082	Bolt	2	
19	60060564	Washer	4	
20	24000633	Washer	16	
21	A210111000343	Bolt	12	
22	A210110000253	Bolt	4	
23	A210307000016	Nut	2	



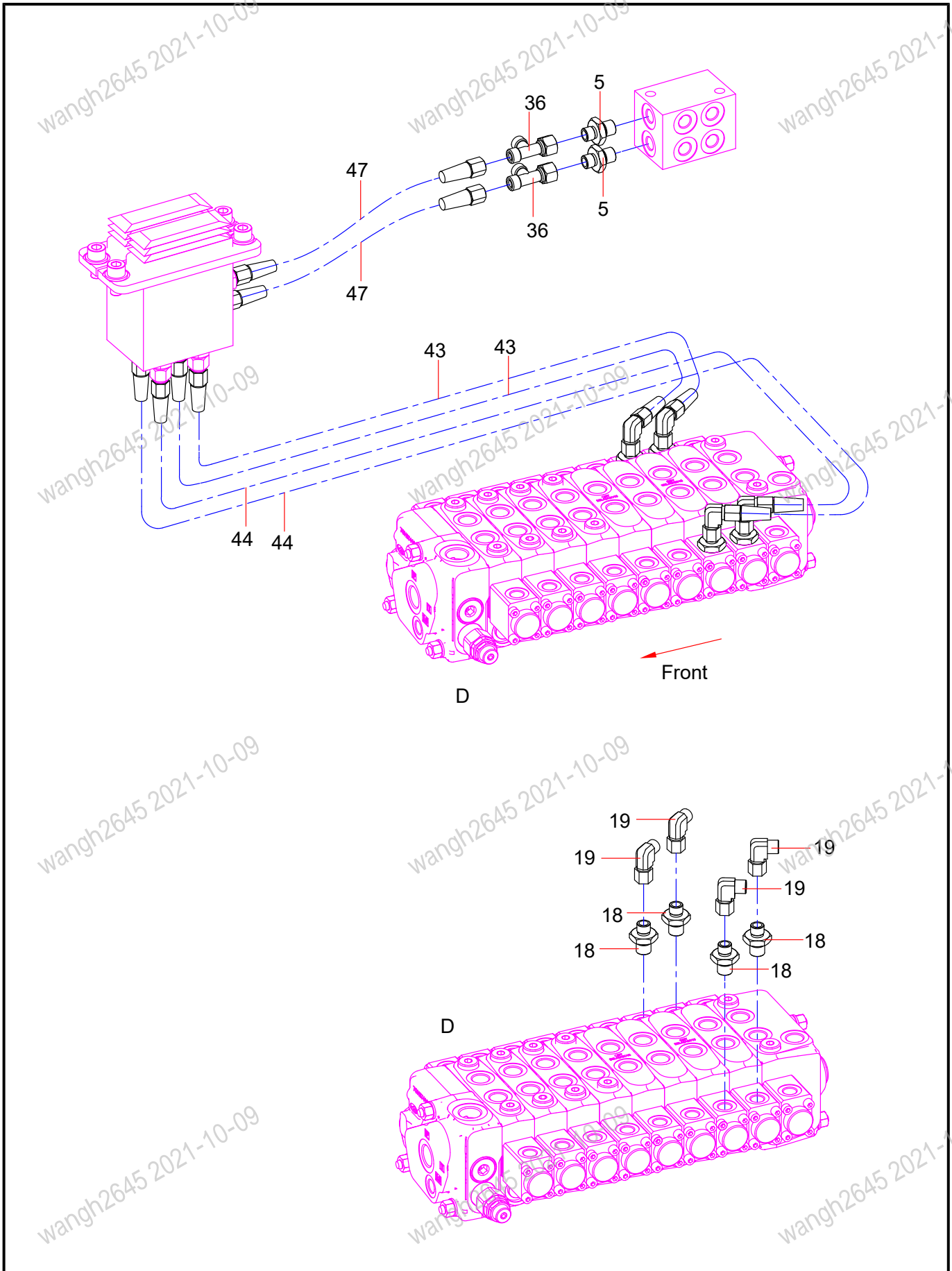
INDEX	PART NO.	DESCRIPTION	QTY	SEE PAGE
1	61017789	HVAC	1	7-10
2	60242100	CONTROL UNIT	1	
3	60242101	COMPRESSOR ASSY	1	
4	60242102	CONDENSER ASSY	1	
5	61031186	Receiver Drier	1	
6	60242104	HOSE ASSY-DISCHARGE	1	
7	60242105	HOSE ASSY-SUCTION	1	
8	60242106	Hose assy-liquid	1	
9	60242107	Hose assy-liquid	1	
10	60242108	WIRE HARNESS ASSY-EXT	1	
11	60242109	Wire harness assy-ext	1	
12	61007748	Pulley	1	
13	61031184	Valve	1	



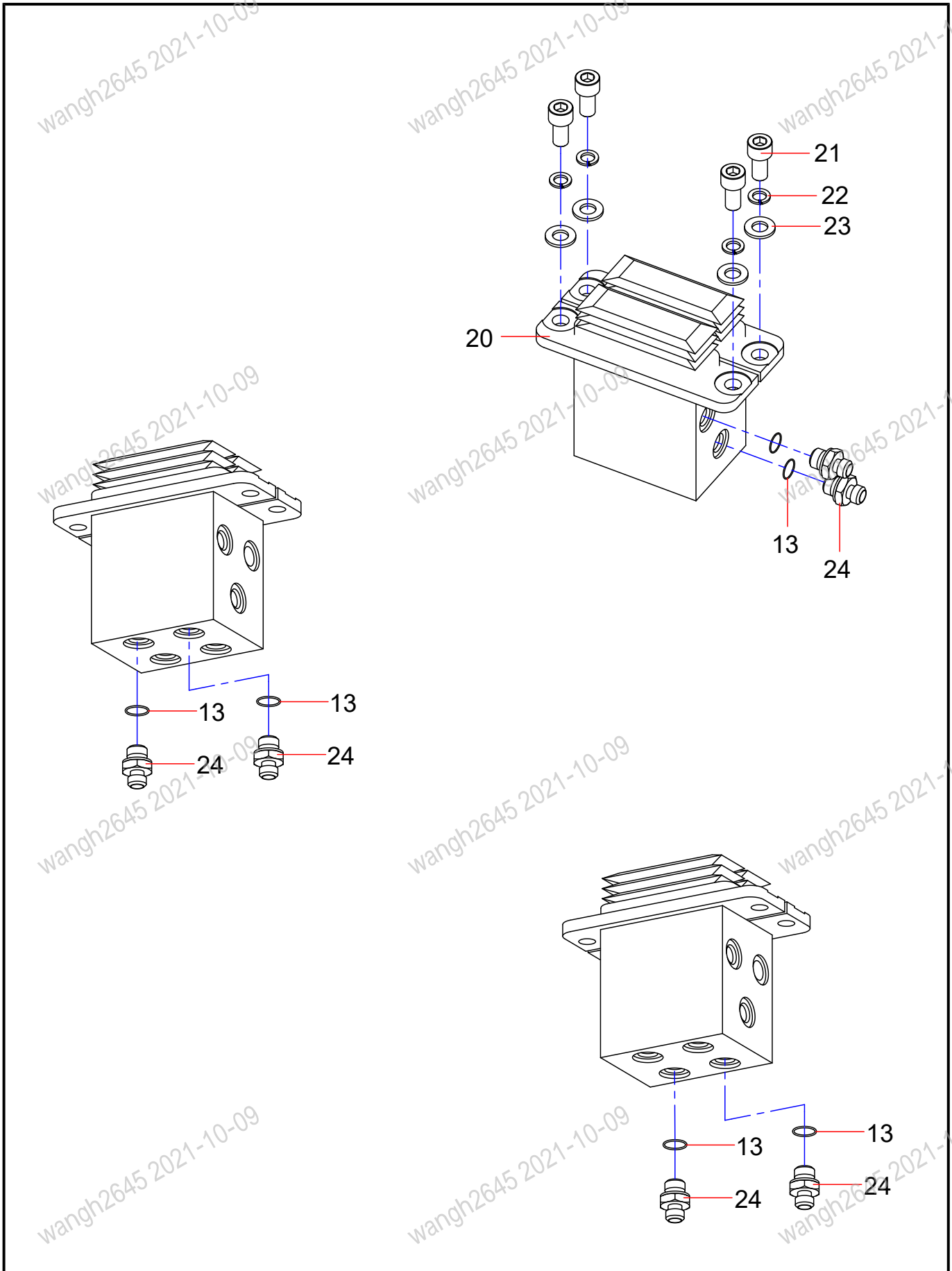
INDEX	PART NO.	DESCRIPTION	QTY	SEE PAGE
1	60344874	Heater core	1	
2	61031172	Evaporator	1	
3	60273382	Expantion valve	1	
4	60190276	SENSOR ASS`Y-EVAP	1	
5	61031173	Case Blower Motor Support	1	
6	60344876	Blower motorbracket	1	
7	61031174	Filter	1	
8	61031175	Cover Filter	1	
9	61031176	Drain Hose	1	
10	61031177	Drain Hose	1	
11	61031178	Clip	2	
12	60215891	resistor assy	1	
13	60344877	Wire	1	
14	60215890	clip	2	
15	61031182	Clip	3	
16	61031183	Clip	4	



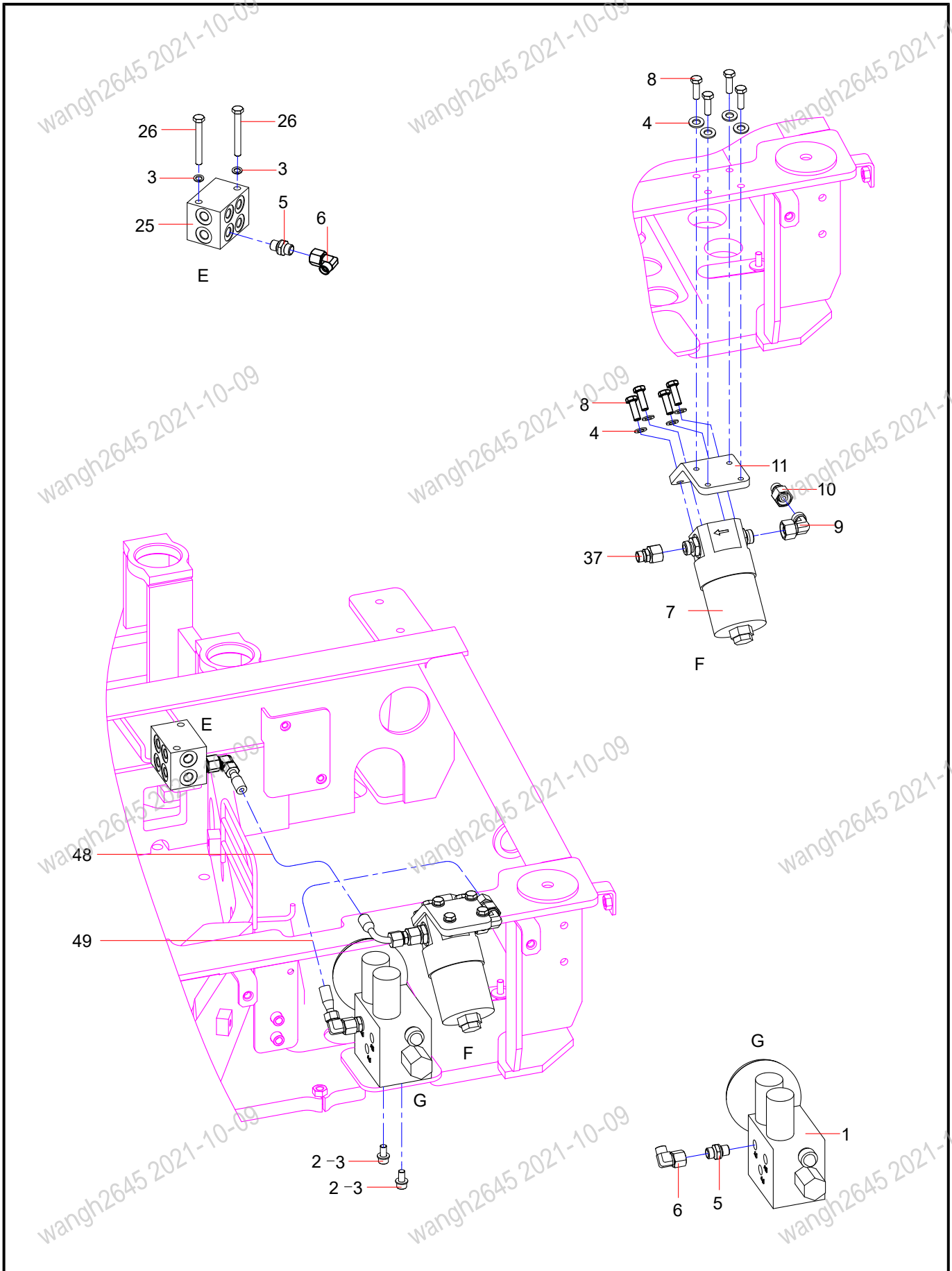
INDEX	PART NO.	DESCRIPTION	QTY	SEE PAGE
5	B210780000176	Fitting	10	
13	B230101000047	O-ring	8	
14	B210780000170	Three Way Combination Joint	5	
18	B210780000823	Fitting	36	
19	23904681	Pipe Connector	33	
36	B210780000014	Pipe Connector	4	
38	B210780001391	Swivel Reducing Straight Adapter	1	
39	A820205000940	Fitting	1	
56	B230103007524	Rubber Hose	1	
57	60120216	Rubber Hose	1	



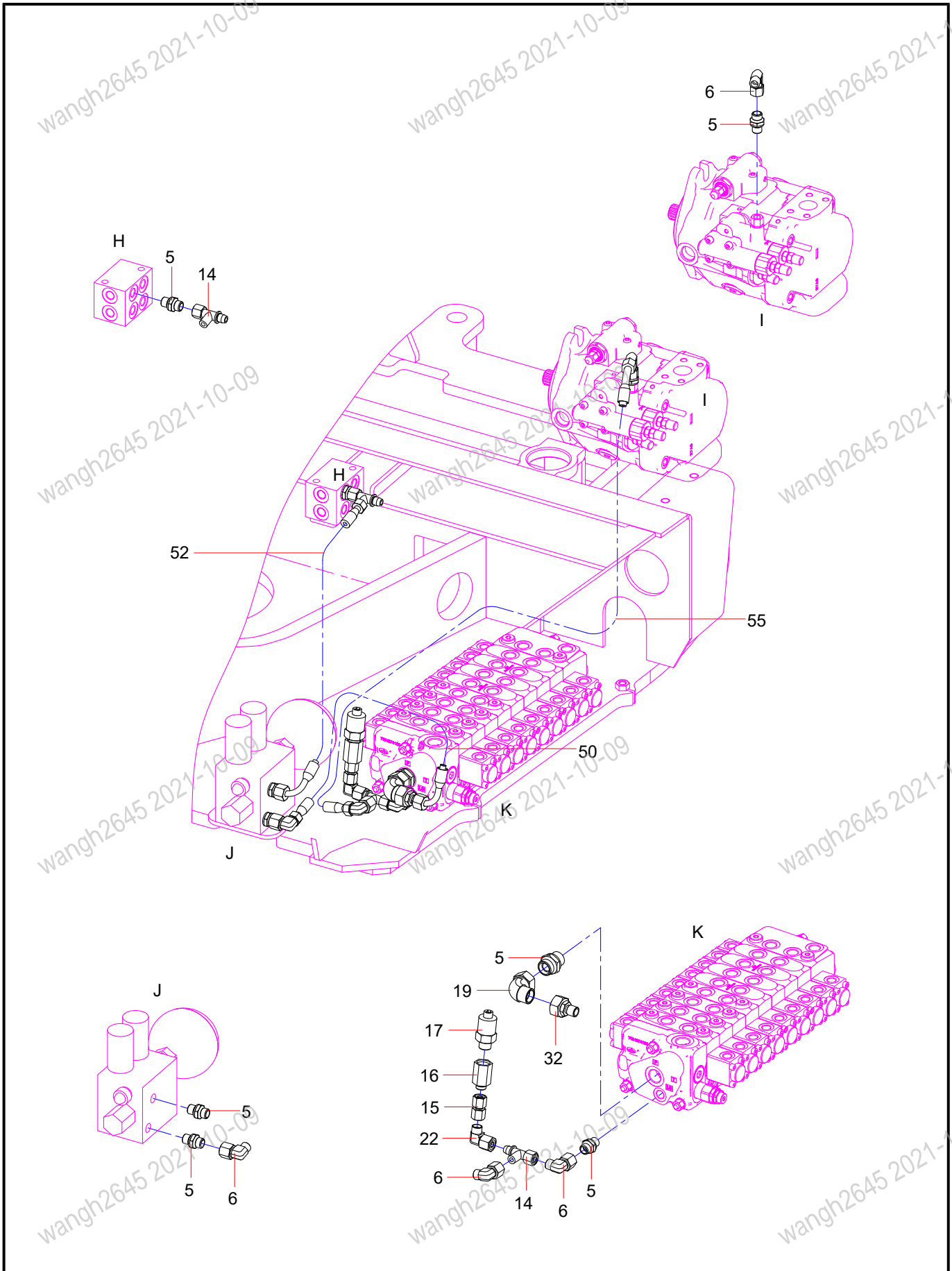
INDEX	PART NO.	DESCRIPTION	QTY	SEE PAGE
5	B210780000176	Fitting	10	
18	B210780000823	Fitting	36	
19	23904681	Pipe Connector	33	
36	B210780000014	Pipe Connector	4	
43	60240240	rubber hose	4	
44	60240241	rubber hose	2	
47	60255796	RubberHose	2	



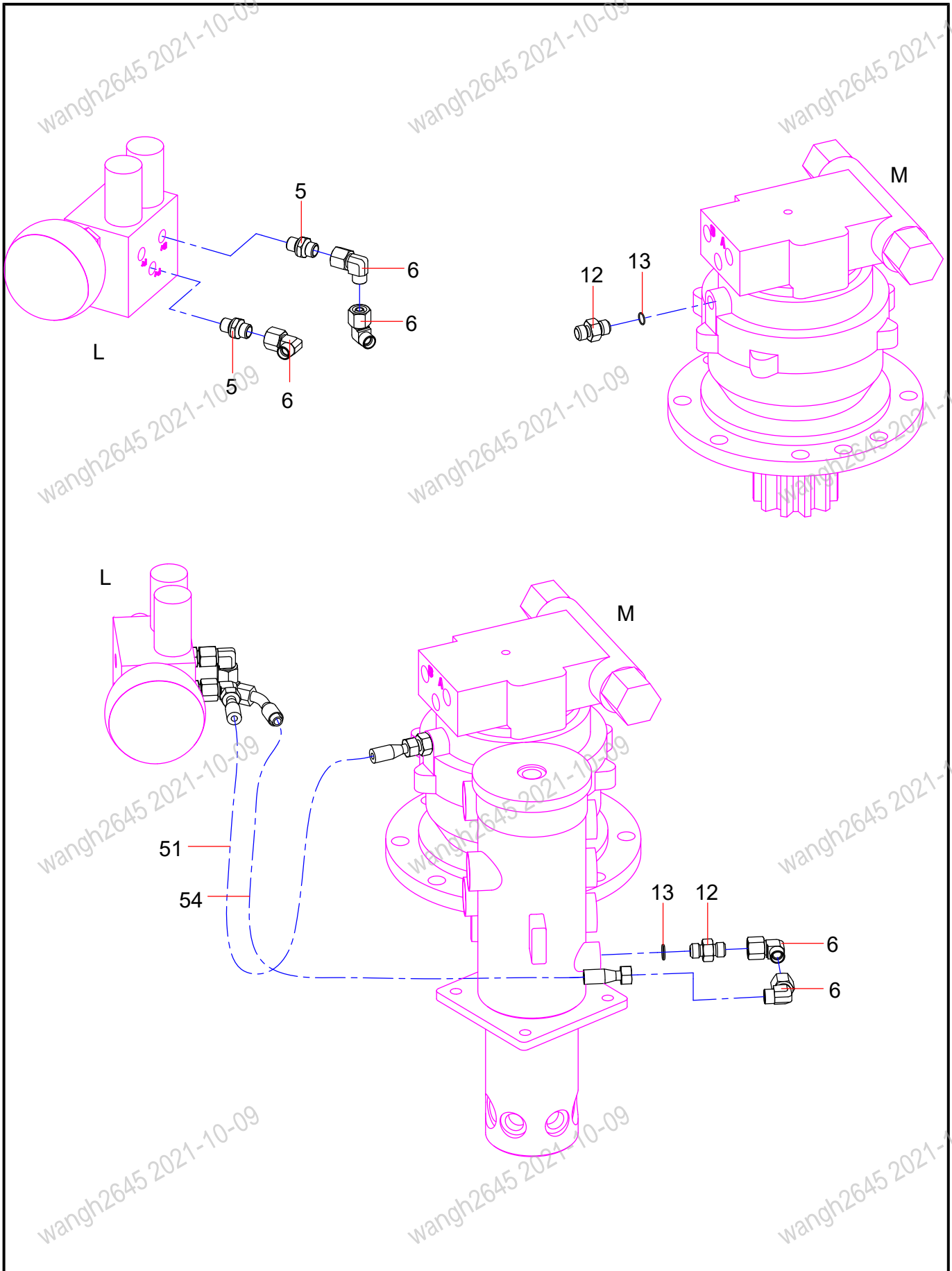
INDEX	PART NO.	DESCRIPTION	QTY	SEE PAGE
13	B230101000047	O-ring	8	
20	60343358	Valve, Pilot	1	7-40
21	A210204000313	Screw	4	
22	24000512	Washer	4	
23	24000637	Washer	4	
24	21011540	Pipe Connector	6	



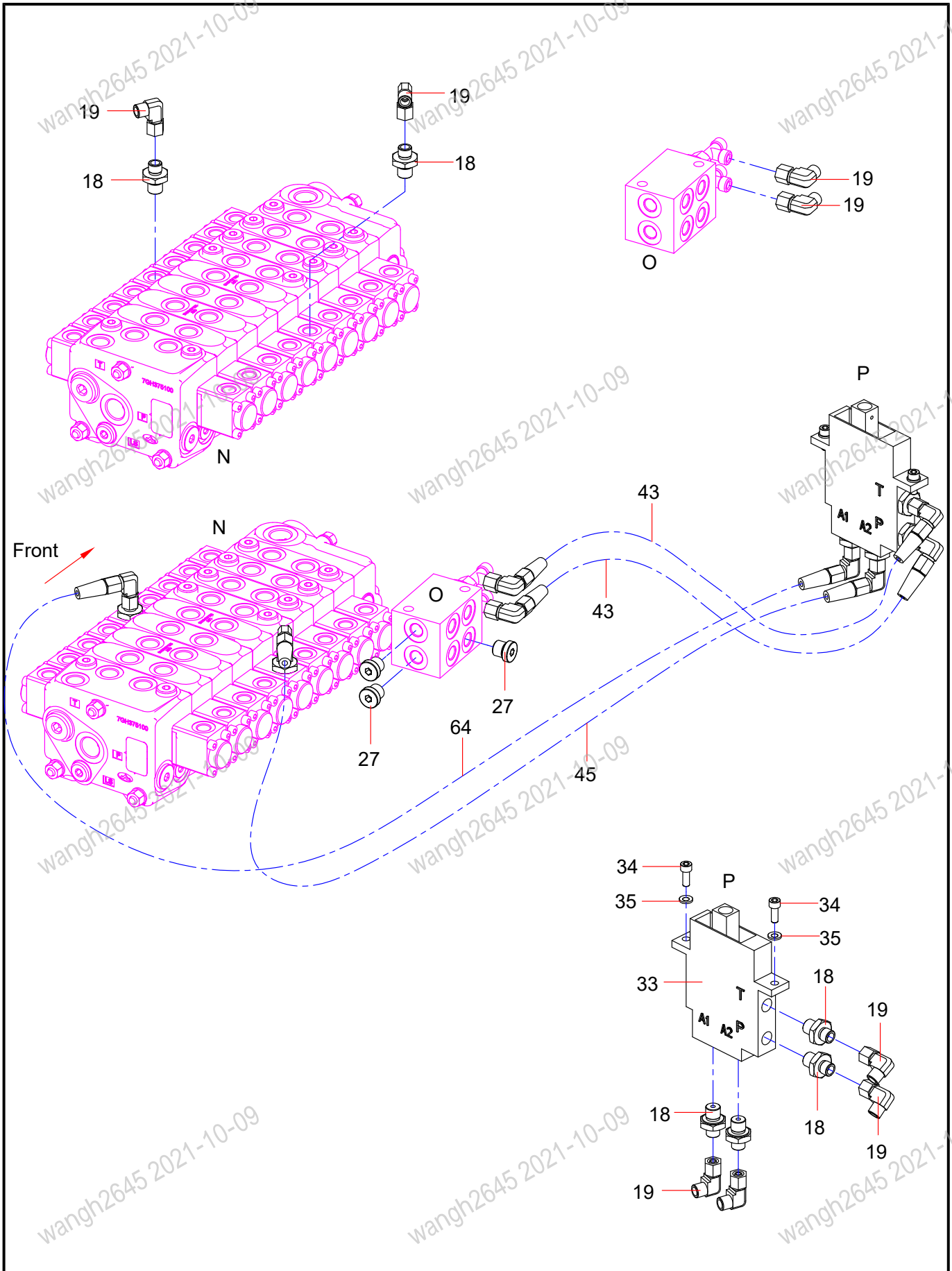
INDEX	PART NO.	DESCRIPTION	QTY	SEE PAGE
1	60046293	Pilot Oil Supplier	1	7-36
2	A210204000220	Screw	2	
3	24000511	Washer	4	
4	24000633	Washer	10	
5	B210780000176	Fitting	10	
6	B210780000418	Fitting, Elbow	9	
7	B229900000063	High Pressure Filter	1	7-38
8	A210111000343	Bolt	8	
9	B210780000024	Fitting, Elbow	2	
10	B210780000827	Connector Pipe	2	
11	13426234	Transitional Plate	1	
25	12053111	PT Block	1	
26	A210110000306	Bolt	2	
37	60136966	Pipe Connector	3	
48	B230103001258	Hose	1	
49	A831213044000	Rubber Hose 1Sn6-Dkol-Dkol90-440	1	



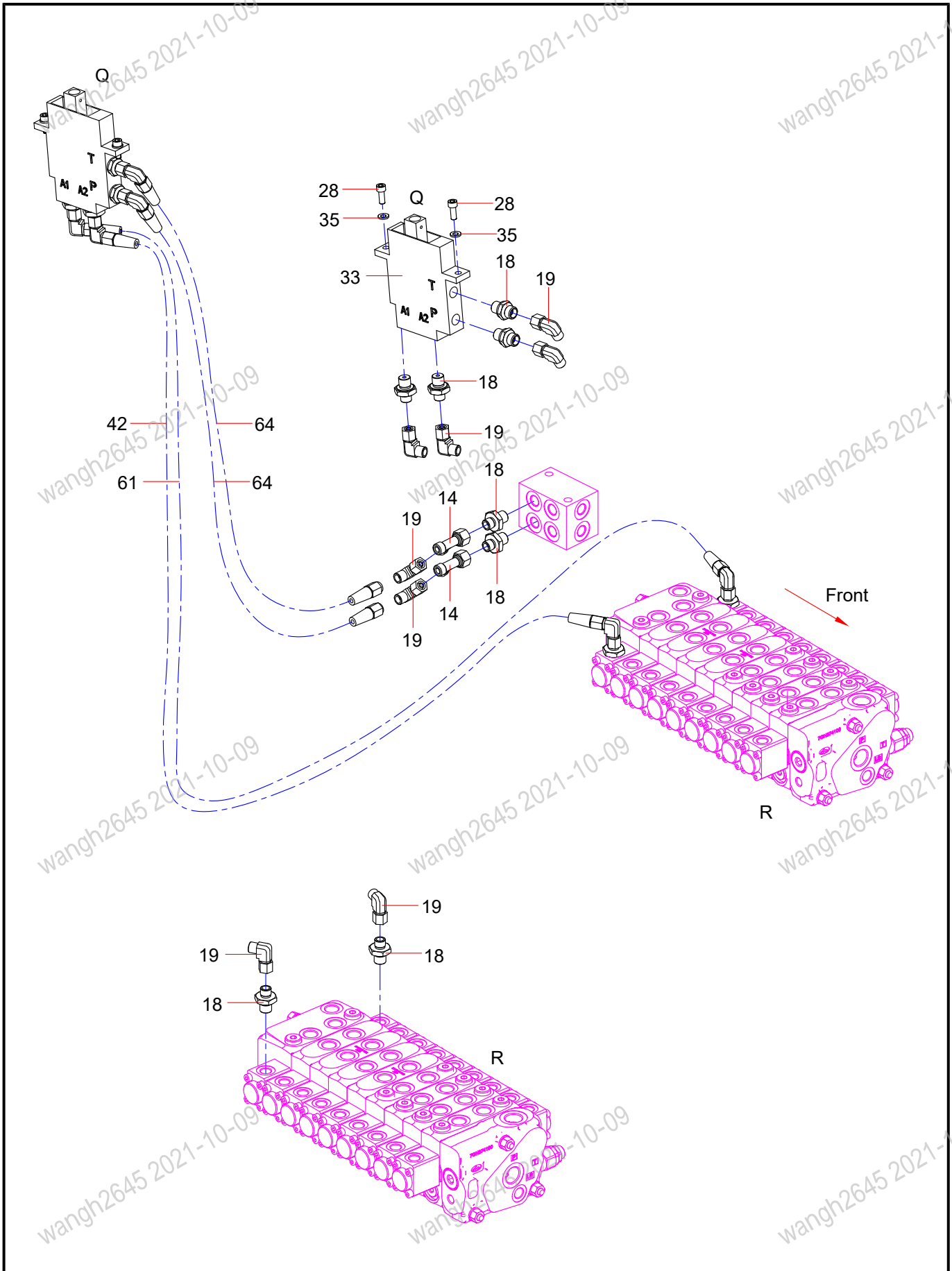
INDEX	PART NO.	DESCRIPTION	QTY	SEE PAGE
5	B210780000176	Fitting	10	
6	B210780000418	Fitting, Elbow	9	
14	B210780000170	Three Way Combination Joint	5	
15	B210780001045	Fitting	1	
16	A820205001061	Pressure Sensor Connector	1	
17	60114799	Pressure Sensor	1	
19	23904681	Pipe Connector	33	
22	24000512	Washer	4	
32	B210780001053	Swivel Reducing Straight Adapter	1	
50	23000432	Rubber Hose	1	
52	A831213065000	Hose	1	
55	60240245	rubber hose	1	



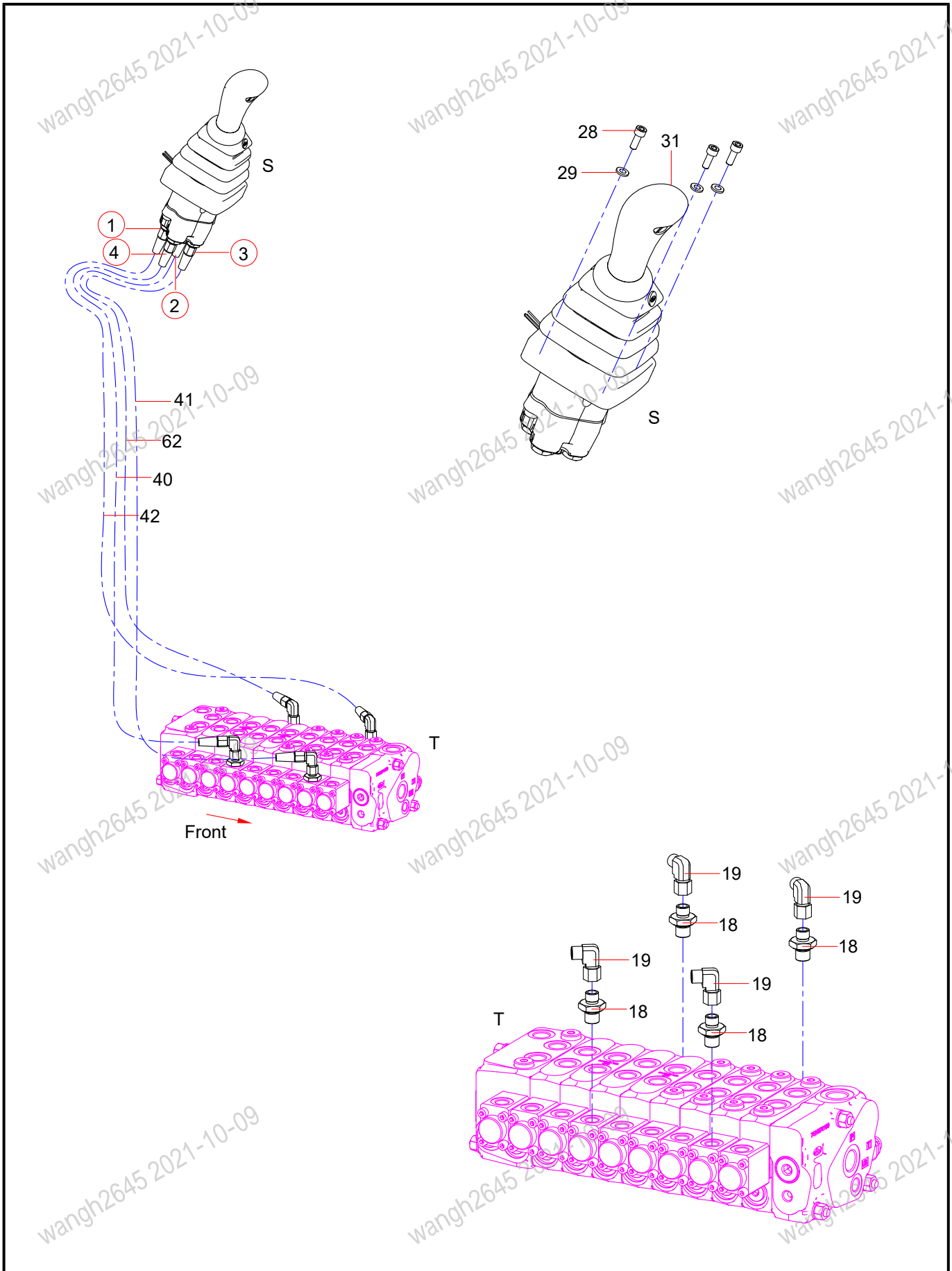
INDEX	PART NO.	DESCRIPTION	QTY	SEE PAGE
5	B210780000176	Fitting	10	
6	B210780000418	Fitting, Elbow	9	
12	A820205000844	Fitting	2	
13	B230101000047	O-ring	8	
51	B230103000995	Hose	1	
54	60242300	rubber hose	1	



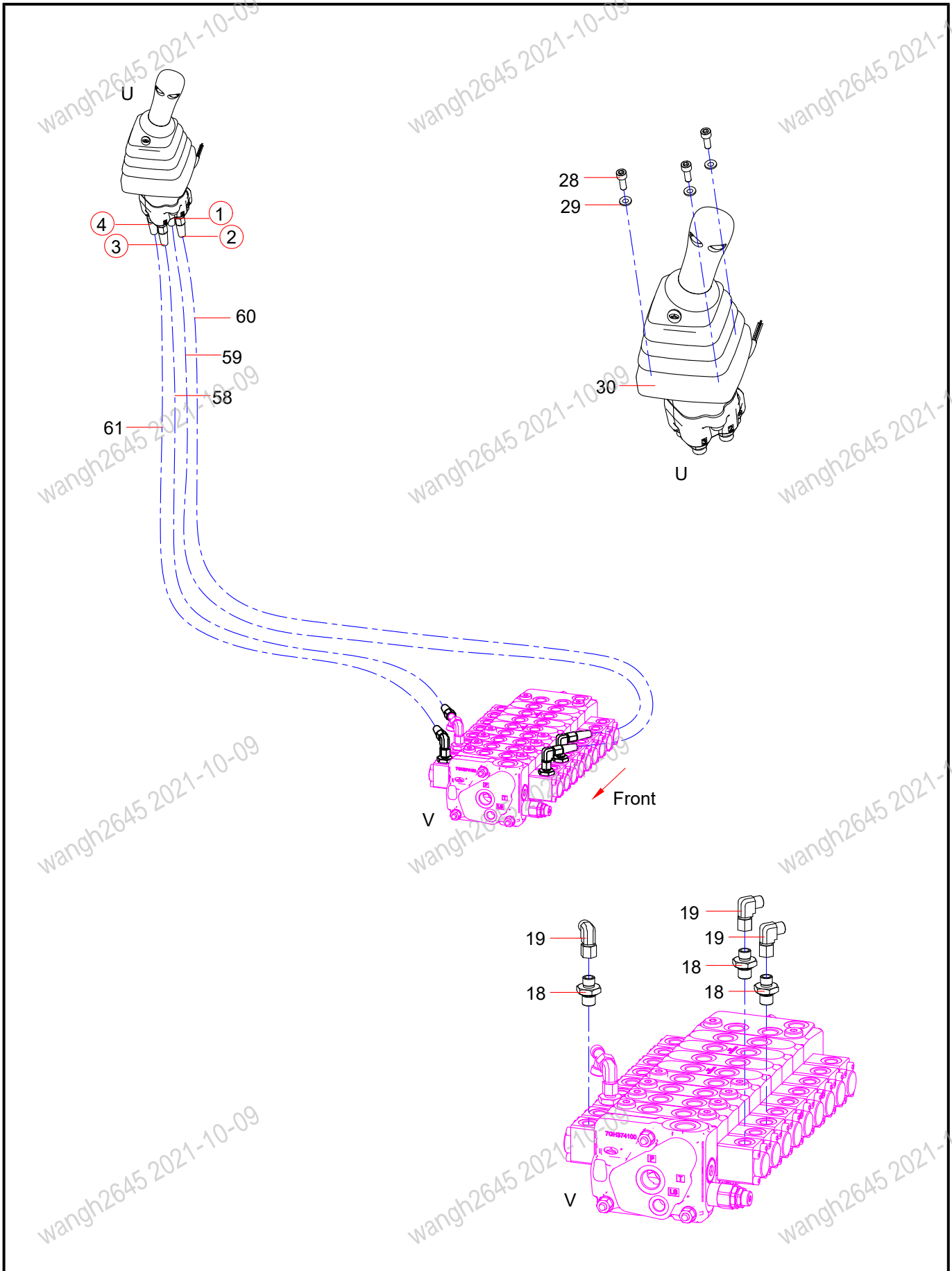
INDEX	PART NO.	DESCRIPTION	QTY	SEE PAGE
18	B210780000823	Fitting	36	
19	23904681	Pipe Connector	33	
27	B210780000164	Screw Plug	3	
33	60281974	Pilot-control Valve	3	7-48
34	A210204000131	Screw	6	
35	24000632	Washer	6	
43	60240240	rubber hose	4	
45	60120208	Rubber Hose	4	
64	60120209	Rubber Hose	3	



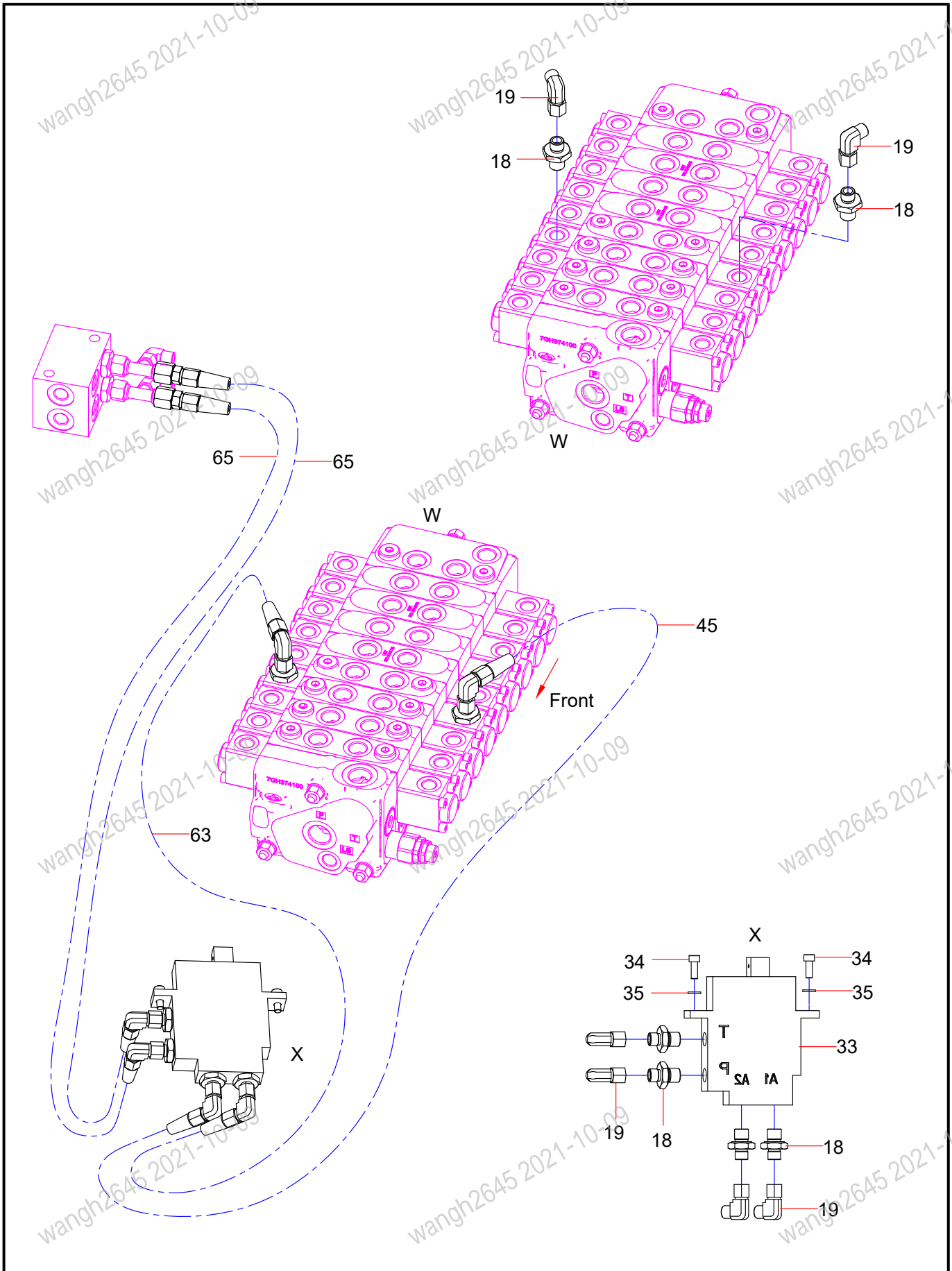
INDEX	PART NO.	DESCRIPTION	QTY	SEE PAGE
14	B210780000170	Three Way Combination Joint	5	
18	B210780000823	Fitting	36	
19	23904681	Pipe Connector	33	
28	60249819	Screw	8	
33	60281974	Pilot-control Valve	3	7-48
35	24000632	Washer	6	
42	60120214	Rubber Hose	2	
61	60120221	Rubber Hose	2	
64	60120209	Rubber Hose	3	



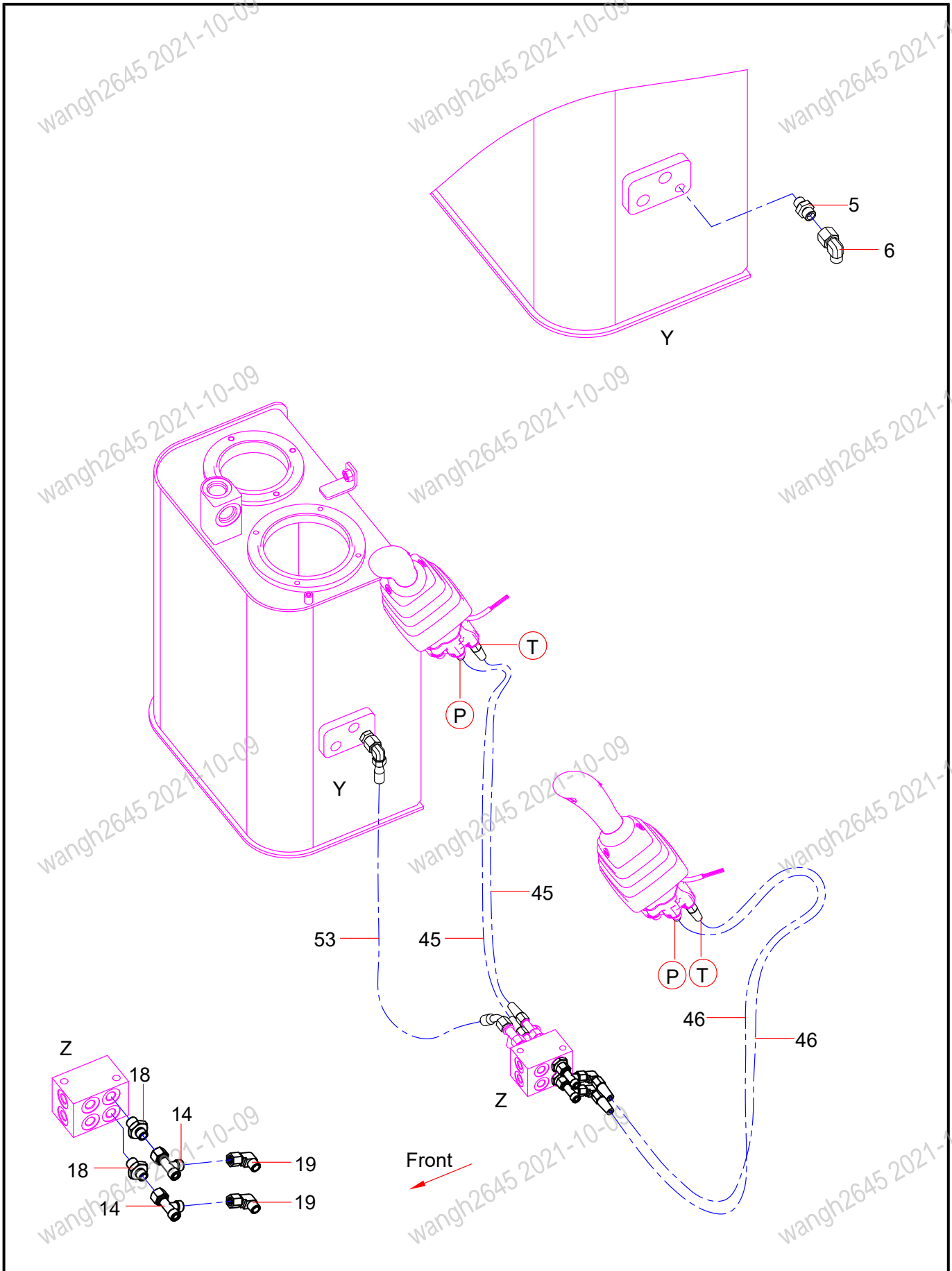
INDEX	PART NO.	DESCRIPTION	QTY	SEE PAGE
1	60046293	Pilot Oil Supplier	1	7-36
2	A210204000220	Screw	2	
3	24000511	Washer	4	
4	24000633	Washer	10	
18	B210780000823	Fitting	36	
19	23904681	Pipe Connector	33	
28	60249819	Screw	8	
29	60060564	Washer	8	
31	60242506	Left Pilot Control Valve Assembly	1	7-46
40	60120211	Rubber Hose	1	
41	60120215	Rubber Hose	1	
42	60120214	Rubber Hose	2	
62	60120212	Rubber Hose	1	



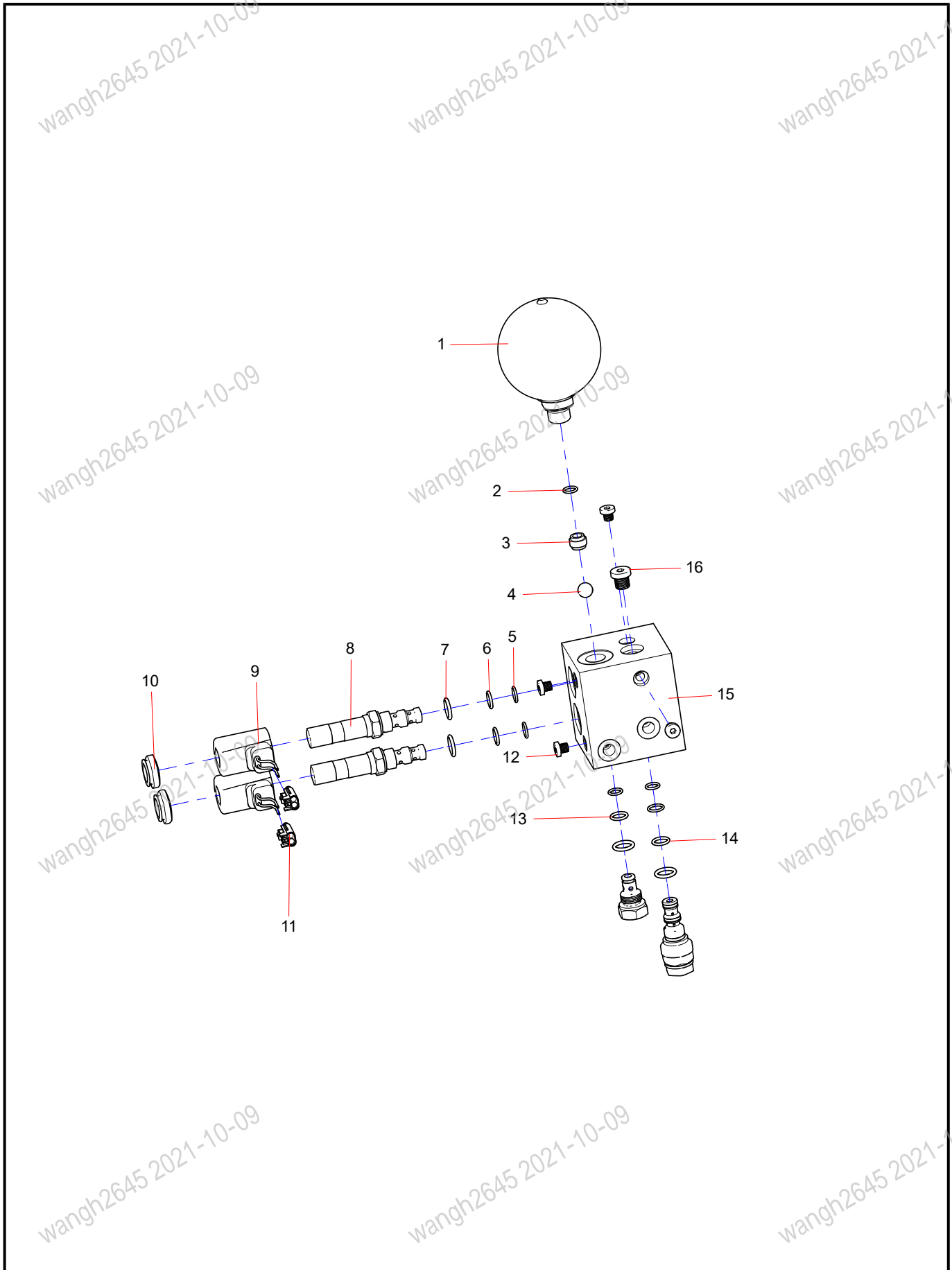
INDEX	PART NO.	DESCRIPTION	QTY	SEE PAGE
1	60046293	Pilot Oil Supplier	1	7-36
2	A210204000220	Screw	2	
3	24000511	Washer	4	
4	24000633	Washer	10	
18	B210780000823	Fitting	36	
19	23904681	Pipe Connector	33	
28	60249819	Screw	8	
29	60060564	Washer	8	
30	60242507	Right Pilot Control Valve Assembly	1	7-44
58	60120217	Rubber Hose	1	
59	60120220	Rubber Hose	1	
60	60169726	Rubber Hose	1	
61	60120221	Rubber Hose	2	



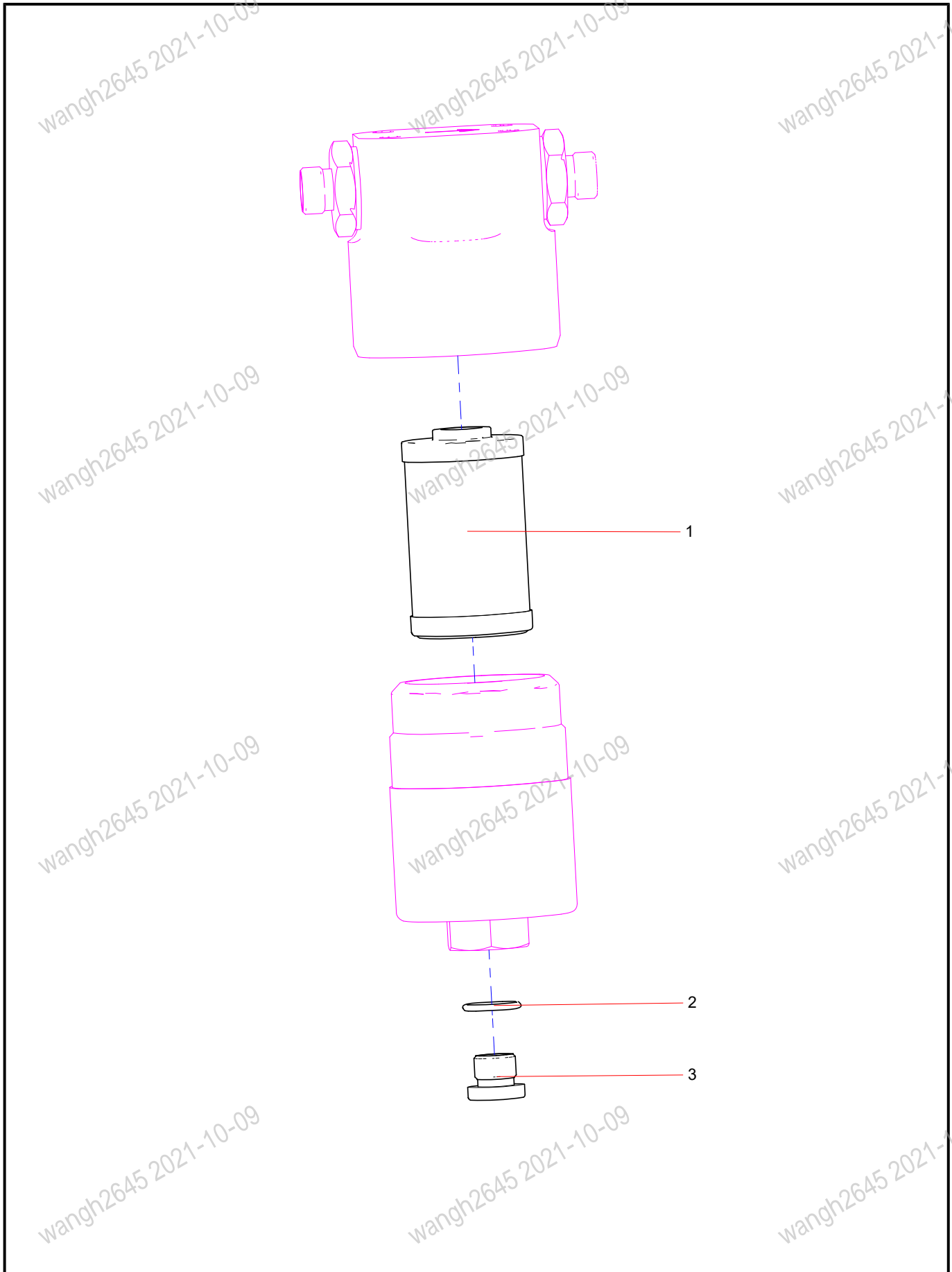
INDEX	PART NO.	DESCRIPTION	QTY	SEE PAGE
18	B210780000823	Fitting	36	
19	23904681	Pipe Connector	33	
33	60281974	Pilot-control Valve	3	7-48
34	A210204000131	Screw	6	
35	24000632	Washer	6	
45	60120208	Rubber Hose	4	
63	60120222	Rubber Hose	1	
65	60240239	rubber hose	2	



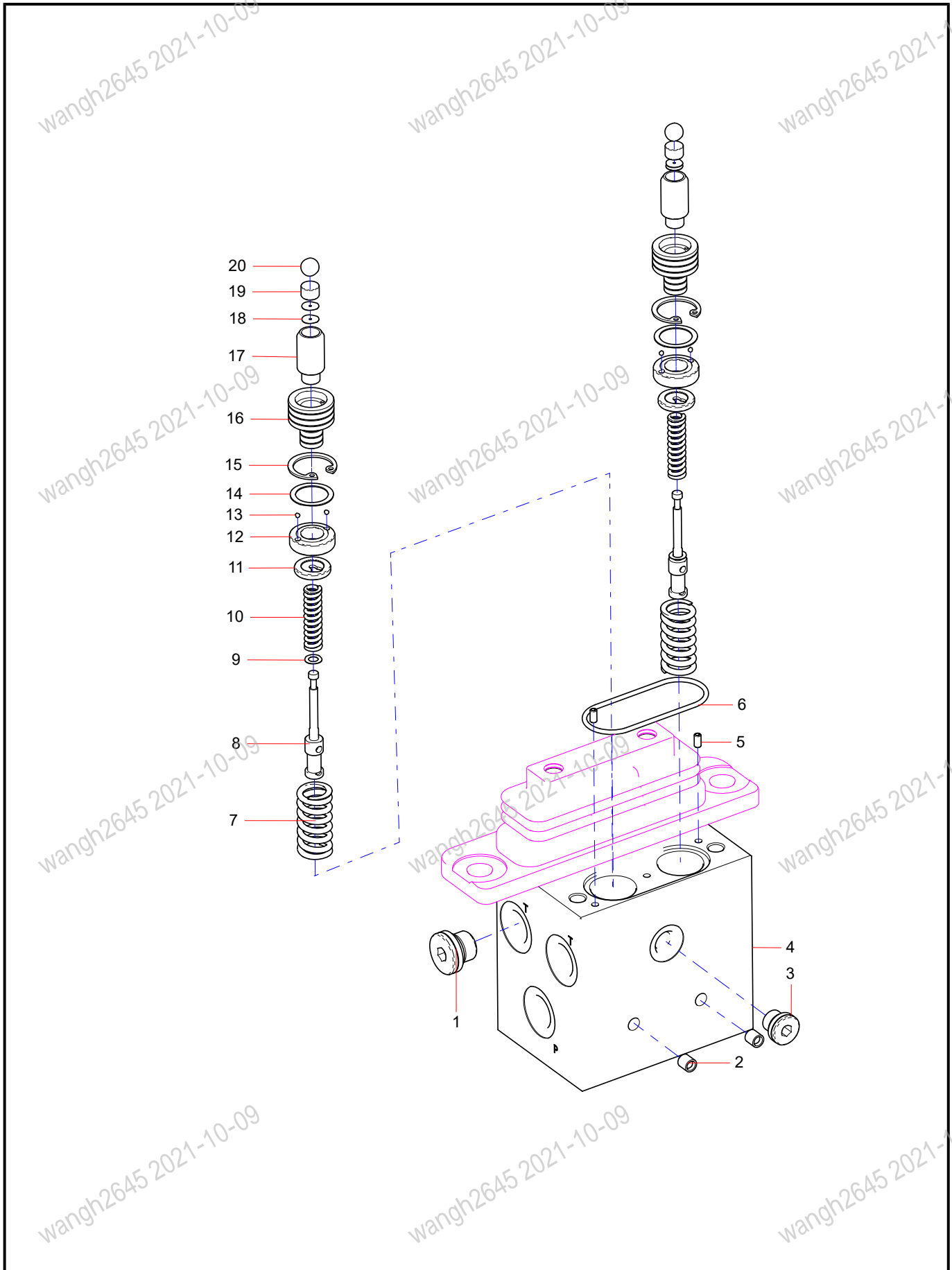
INDEX	PART NO.	DESCRIPTION	QTY	SEE PAGE
5	B210780000176	Fitting	10	
6	B210780000418	Fitting, Elbow	9	
14	B210780000170	Three Way Combination Joint	5	
18	B210780000823	Fitting	36	
19	23904681	Pipe Connector	33	
45	60120208	Rubber Hose	4	
46	60240242	rubber hose	2	
53	B230103007522	Hose AS	1	



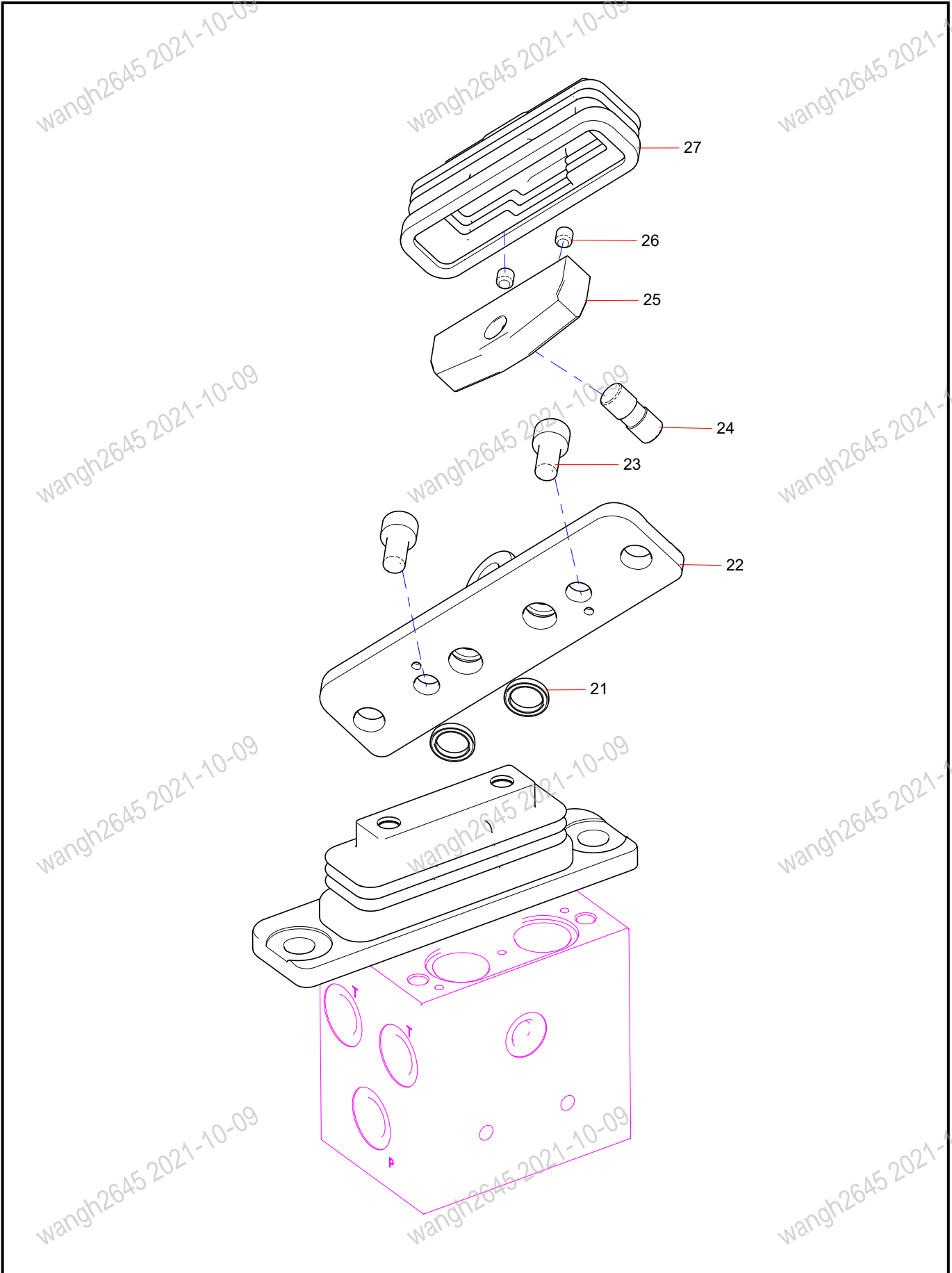
INDEX	PART NO.	DESCRIPTION	QTY	SEE PAGE
1	60114277	Accumulator	1	
2	60114281	Accumulator O-ring	1	
3	60114263	Internal One-way Valve	1	
4	60114280	Internal One-way Valve O-ring	1	
5	60114268	Unloading Electromagnetic Valve Repair K	2	
6	60114265	Unloading Electromagnetic Valve	2	
7	60114285	Solenoid Valve	2	
8	60114275	Lock Nut	2	
9	60114283	Electrical Socket	2	
10	60114270	Plug	5	
11	60114266	Safety Valve Repair Kit	1	
12	60114257	Safety Valve	1	
13	60114260	Pressure Reducing Valve	1	
14	60114272	Pressure Reducing Valve Repair Kit	1	
15	60114259	Valve Block	1	
16	60114269	Plug	1	



INDEX	PART NO.	DESCRIPTION	QTY	SEE PAGE
1	A222100000119	Pilot Hydraulic Oil Filter	1	
2	21000077	O-ring	1	
3	60294884	Plug	1	

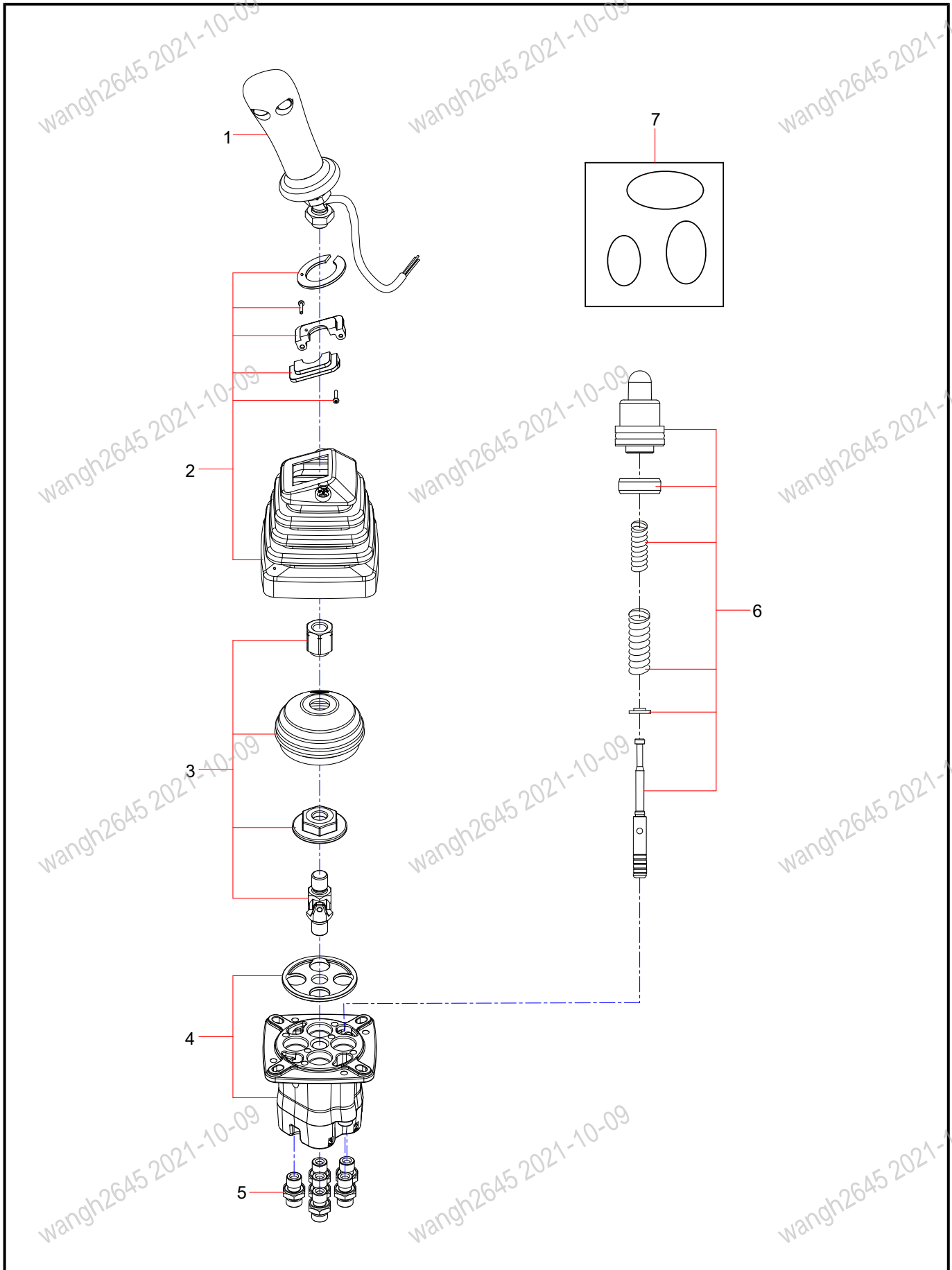


INDEX	PART NO.	DESCRIPTION	QTY	SEE PAGE
1	150188000576A	PLUG	1	
2	150505020020B002	Plug	2	
3	150505020020B003	Plug	1	
4	150505020020B001	Valve block	1	
5	150505020020B004	Pin	4	
6	150505020020B005	O-ring	2	
7	150505020020B016	Spring	4	
8	150505020020B017	Spool	4	
9	150505020020B018	Gasket	4	
10	150505020020B019	Spring	4	
11	150505020020B020	Spring seat	4	
12	150505020020B021	Guide seat	4	
13	150505020020B022	Steel ball	8	
14	150505020020B023	washer	4	
15	150505020020B024	Retaining ring	4	
16	150505020020B025	Piston	4	
17	150505020020B006	Mandrel	4	
18	150505020020B007	washer	8	
19	150505020020B008	Steel ball seat	4	
20	150505020020B009	Steel ball	4	



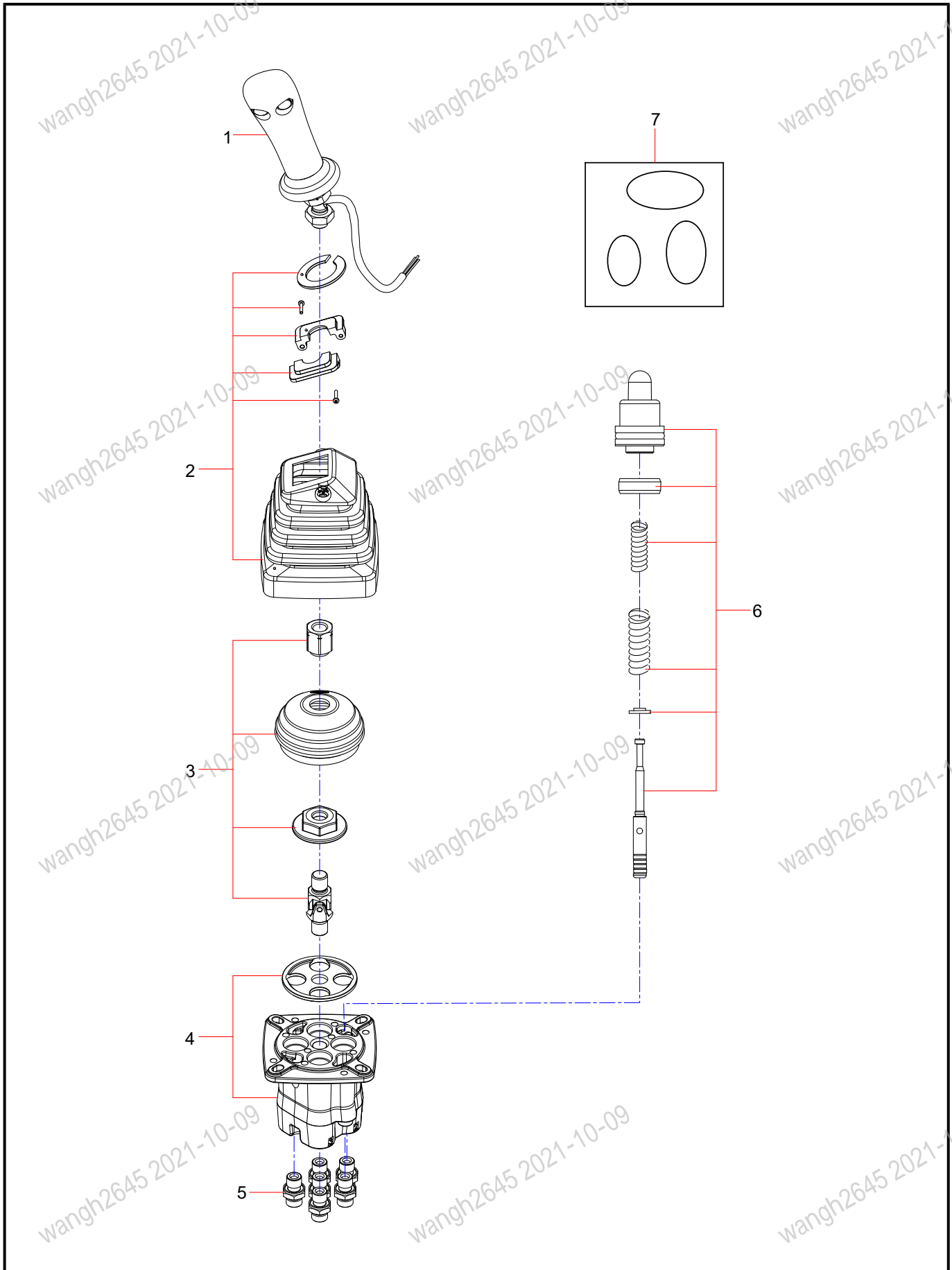
INDEX	PART NO.	DESCRIPTION	QTY	SEE PAGE
21	150505020020B010	U-ring	4	
22	150505020020B011	plate	2	
23	150505020020B012	Screw	4	
24	150505020020B014	Pin	2	
25	150505020020B013	plate	2	
26	150588000044A	Fastening bolt	4	
27	150505020020B015	Protective sleeve	2	

60242507 Right Pilot Control Valve Assembly

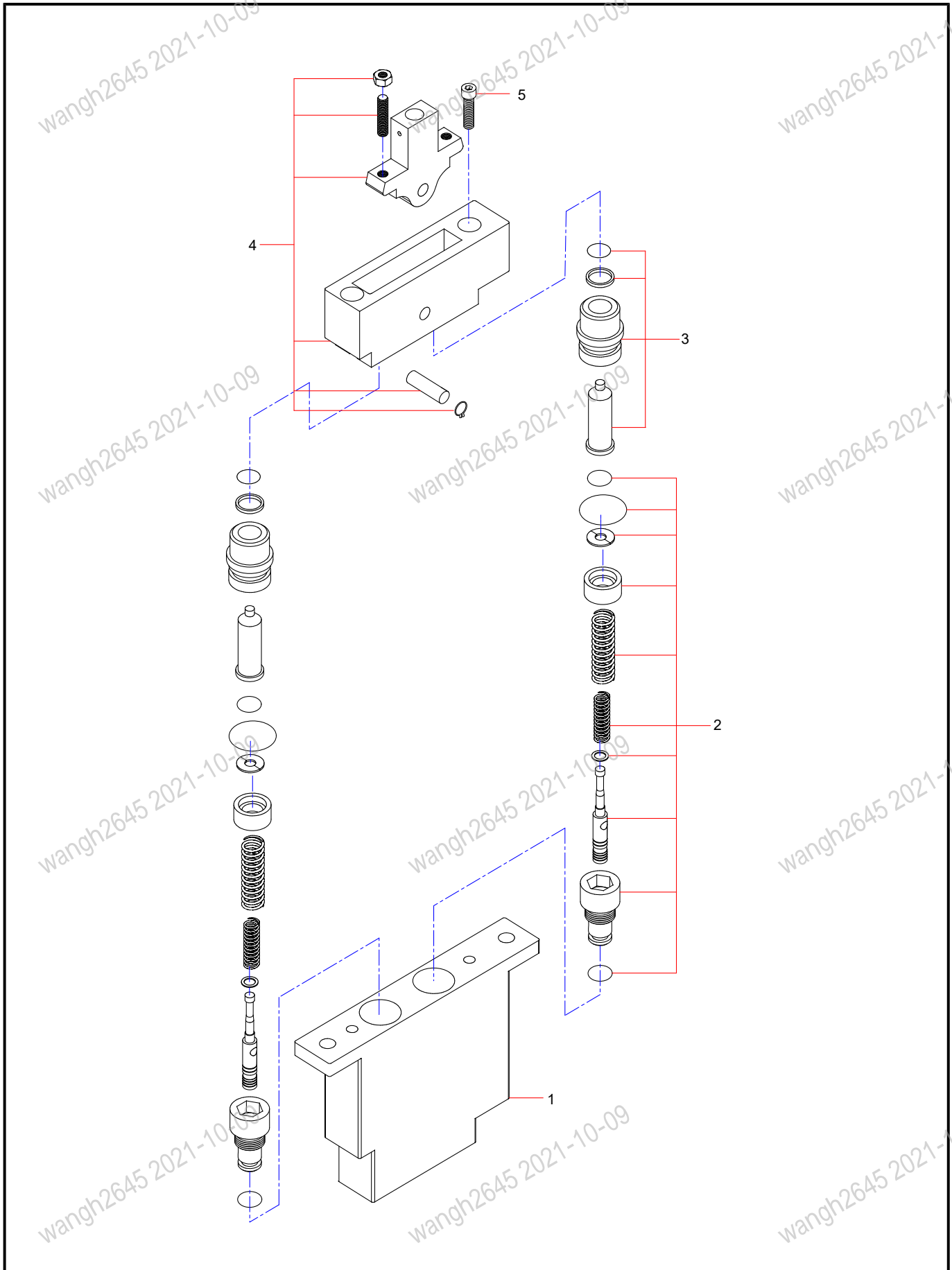


INDEX	PART NO.	DESCRIPTION	QTY	SEE PAGE
1	60259524	Handle	1	
2	150502010008A001	Rubber Sleeve Component	1	
3	150502010008A002	Soffietto Circolare Component	1	
4	150502010008A003	Body of valve Component	1	
5	60221096	FITTING	6	
6	150502010008A004	Spool Component	4	
7	61026668	Repair Kit,Handle	1	

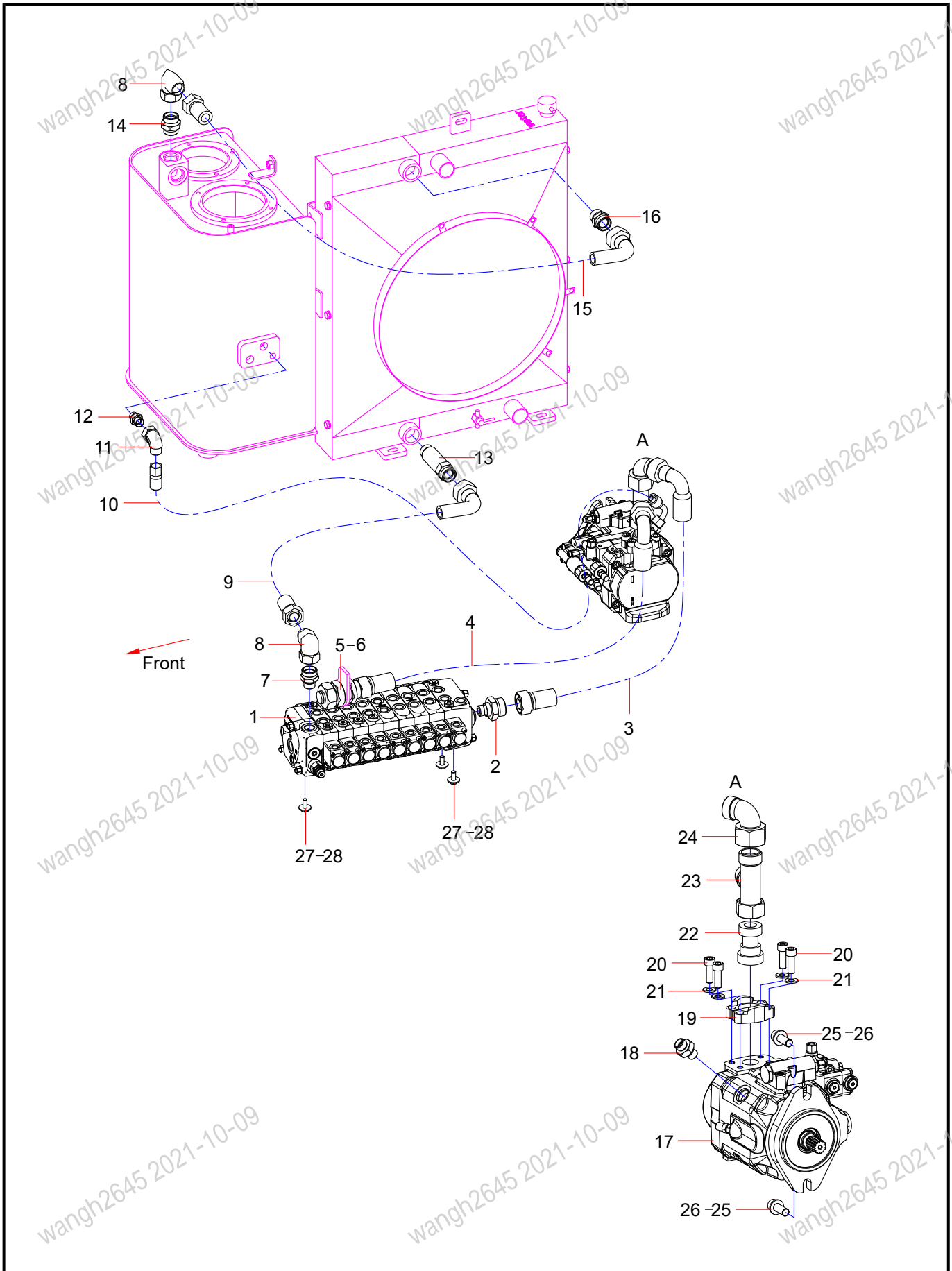
60242506 Left Pilot Control Valve Assembly



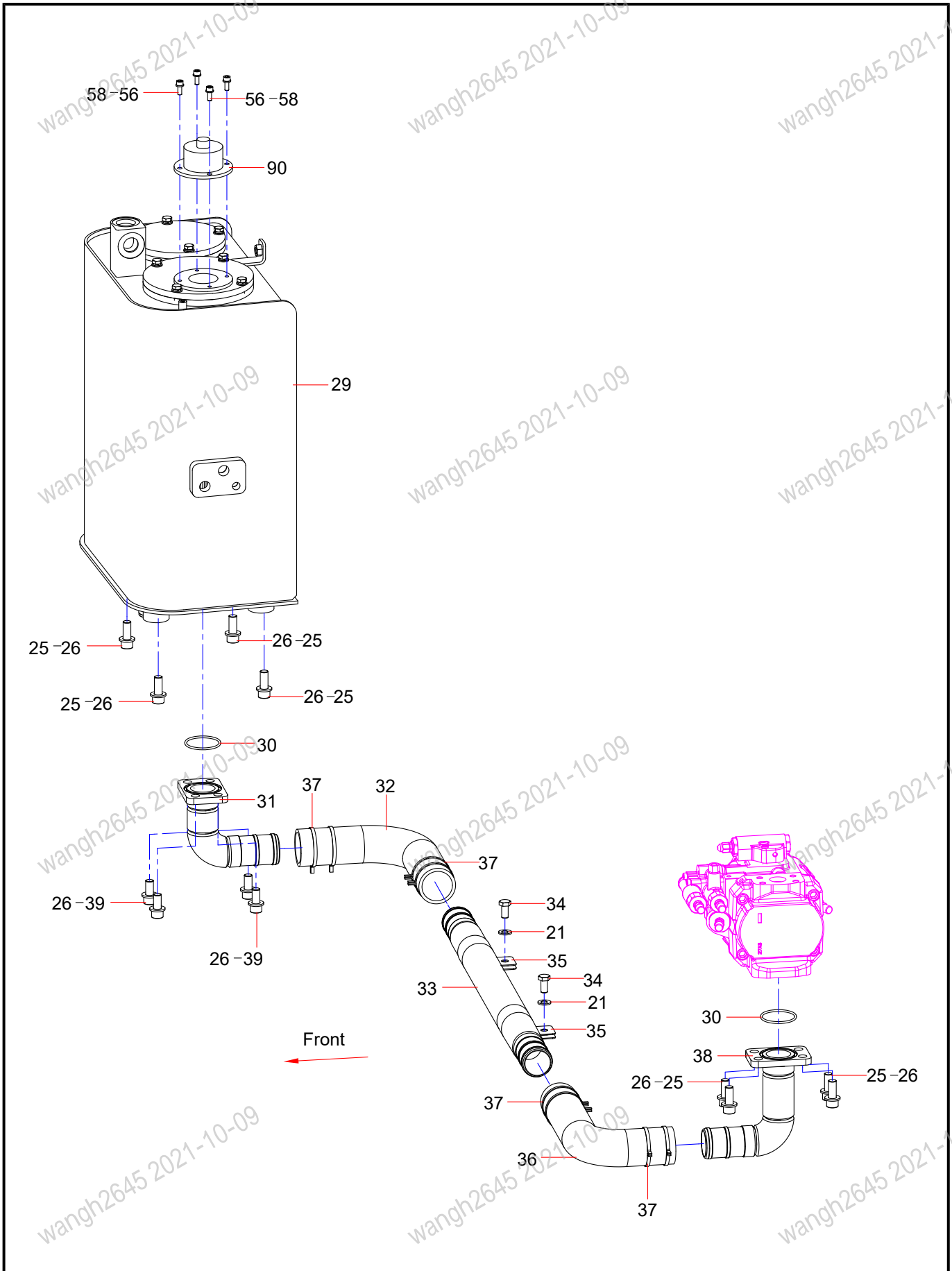
INDEX	PART NO.	DESCRIPTION	QTY	SEE PAGE
1	60259524	Handle	1	
2	150502010008A001	Rubber Sleeve Component	1	
3	150502010008A002	Soffietto Circolare Component	1	
4	150502010008A003	Body of valve Component	1	
5	60221096	FITTING	6	
6	150502010008A004	Spool Component	4	
7	61026668	Repair Kit,Handle	1	



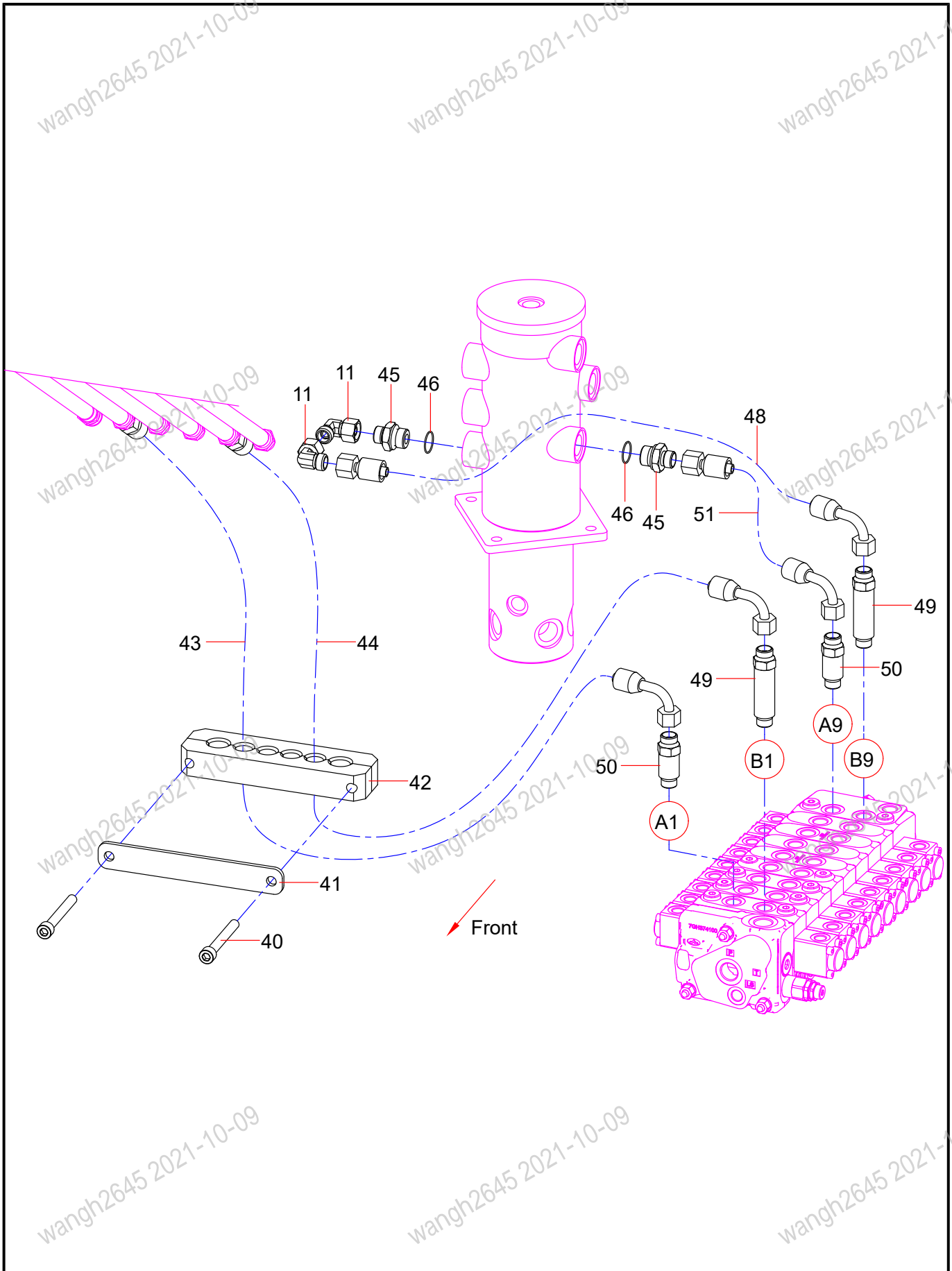
INDEX	PART NO.	DESCRIPTION	QTY	SEE PAGE
1	150502010009A004	Valve Body	1	
2	150502010009A001	Spool Component	2	
3	150502010009A002	Push Rod Bushing Component	2	
4	150502010009A003	Permanent Seat Component	1	
5	A210307000015	Nut	2	



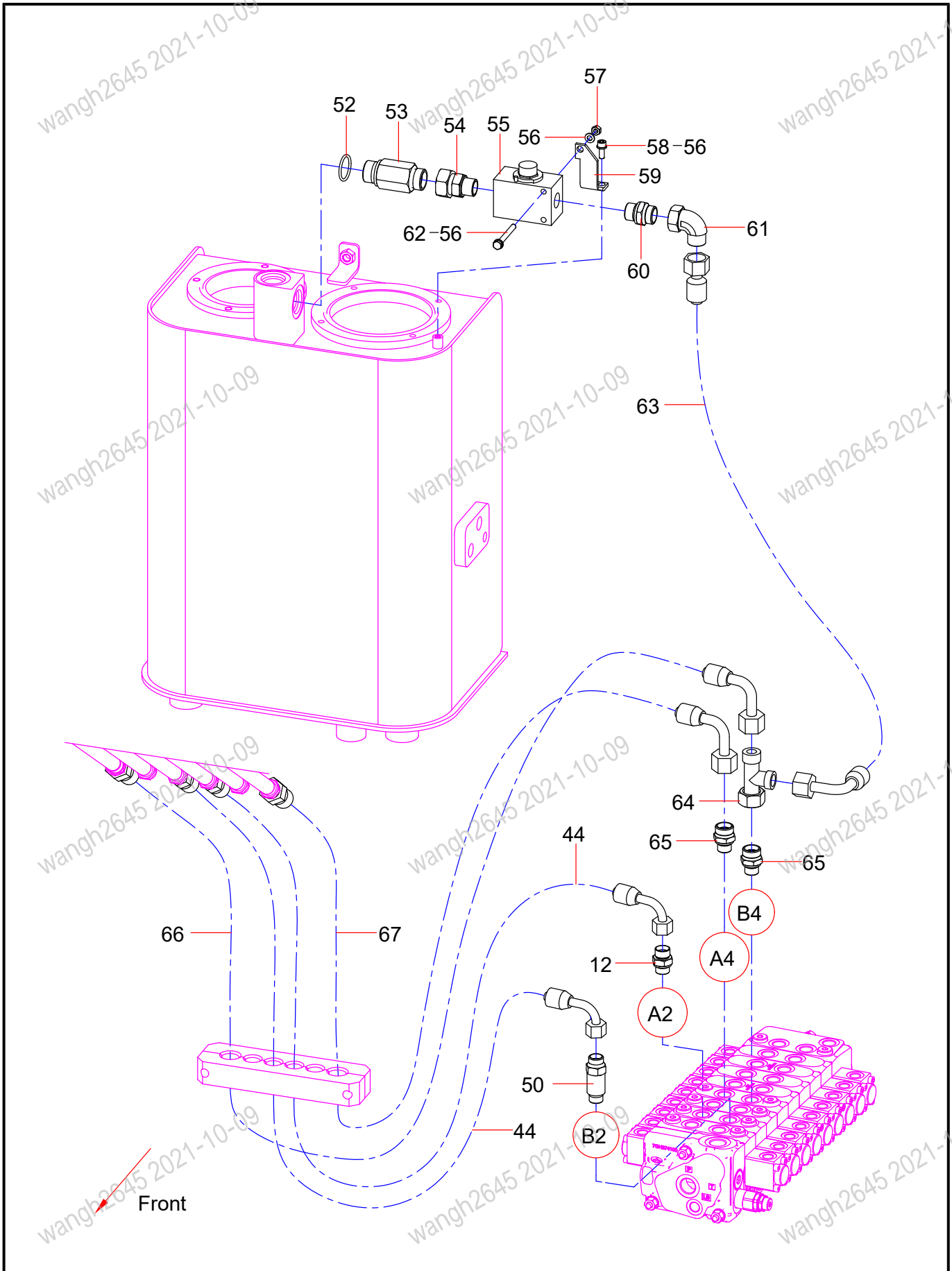
INDEX	PART NO.	DESCRIPTION	QTY	SEE PAGE
1	150601080001	Multiple valve	1	7-68
2	13138525	connector	1	
3	13100862	rubber	1	
4	B230103001485	Hose	1	
5	B210780000837	Fitting, Bulkhead Connector	1	
6	24001239	Screw Plug	1	
7	B210780000899	End Straight Connector	1	
8	B210780000028	Elbow Combination Fitting	2	
9	B230103004943	Rubber Hose	1	
10	B230103000931	Rubber Hose 1SN10-DKOL-DKOL90-1750	1	
11	B210780000024	Fitting, Elbow	7	
12	B210780000180	Fitting	5	
13	13138665	connector	1	
14	A820205000942	Fitting	1	
15	B230103000950	Rubber Hose	1	
16	B210780000421	End Straight Connector	1	
17	60166861	Plunger Pump	1	7-90
18	B210780000143	Fitting, Adapter	1	
19	B210780000244	Split Flange	2	
20	A210204000354	Screw	4	
21	24000637	Washer	6	
22	21011030	Fitting, Adapter, Flange	1	
23	B210780001382	Tee Joint	1	
24	B210780000029	Fitting, Elbow	1	
25	A210204000337	Screw	10	
26	24000639	Washer	14	
27	A210404000005	Washer	3	
28	A210111000342	Bolt	3	



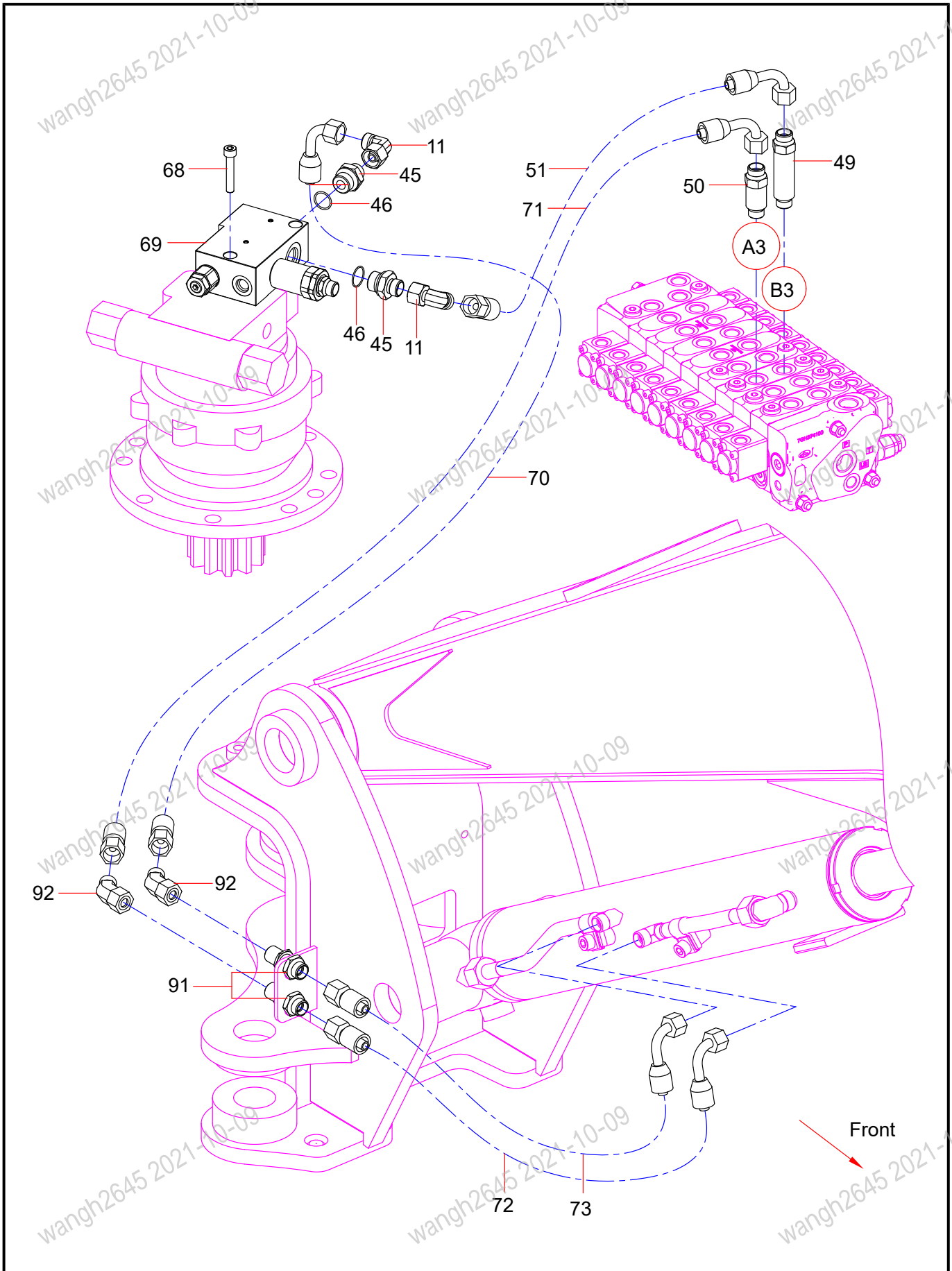
INDEX	PART NO.	DESCRIPTION	QTY	SEE PAGE
21	24000637	Washer	6	
25	A210204000337	Screw	10	
26	24000639	Washer	14	
29	13060533	hydraulic oil tank assy.	1	7-94
30	A210608000077	O-ring	2	
31	13055445	tube	1	
32	13070065	suction rubber hose	1	
33	13055623	Oil suction steel tube	1	
34	A210111000012	Bolt	2	
35	13070120	tube clamp	2	
36	13069692	suction hose	1	
37	A210855000024	Clamp	8	
38	13055507	Oil suction steel tube	1	
39	A210204000167	Screw	4	
56	24000632	Washer	7	
58	60249819	Screw	5	
90	60237031	Breather Valve	1	7-106



INDEX	PART NO.	DESCRIPTION	QTY	SEE PAGE
11	B210780000024	Fitting, Elbow	7	
40	A210204000358	Screw	2	
41	13066681	plate	1	
42	13066750	pipe clamp	2	
43	B230103004108	Rubber hose	1	
44	61030875	Hose	3	
45	10541251	Connector	4	
46	B230101000090	O-ring	8	
48	21033043	Hose	1	
49	13053044	connector	3	
50	13053059	Connector	5	
51	60243801	Rubber Hose	3	



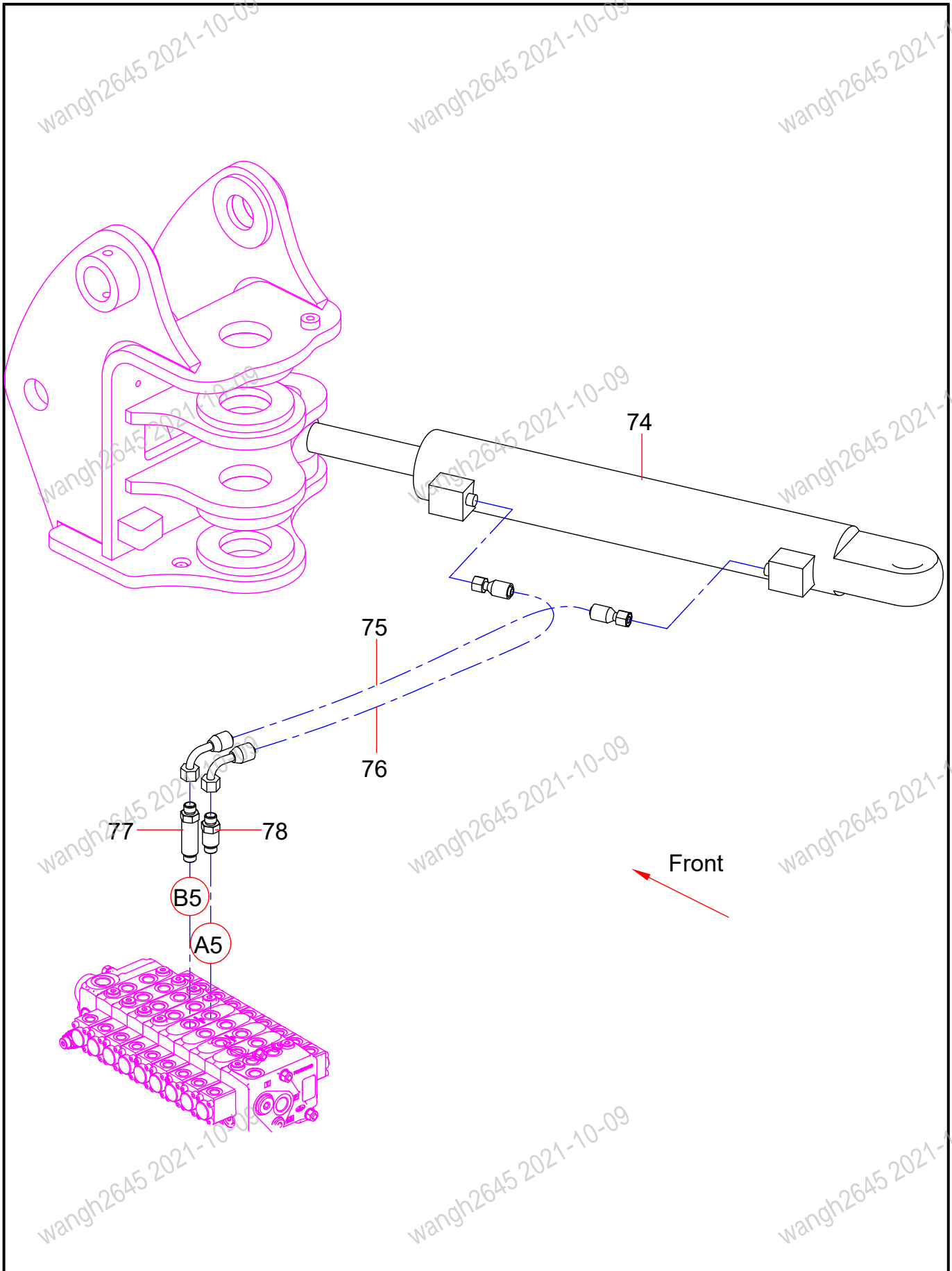
INDEX	PART NO.	DESCRIPTION	QTY	SEE PAGE
12	B210780000180	Fitting	5	
44	61030875	Hose	3	
50	13053059	Connector	5	
52	60082912	O-ring	1	
53	13203029	G3/4-M26-L75 Adaptor	1	
54	21002951	End Straight Connector	1	
55	60246980	Ball Valve	1	
56	24000632	Washer	7	
57	23000169	Nut	1	
58	60249819	Screw	5	
59	13825732	Ball valve support	1	
60	B210780000043	Adapter Fitting	1	
61	B210780000025	Fitting, Elbow	6	
62	A210204000218	Screw	1	
63	B230103000339	Hose Assembly	1	
64	B210780000017	Three Way Combination Joint	1	
65	B210780000042	End Straight Connector	3	
66	B230103004811	Hose	1	
67	B230103000256	Rubber hose	1	



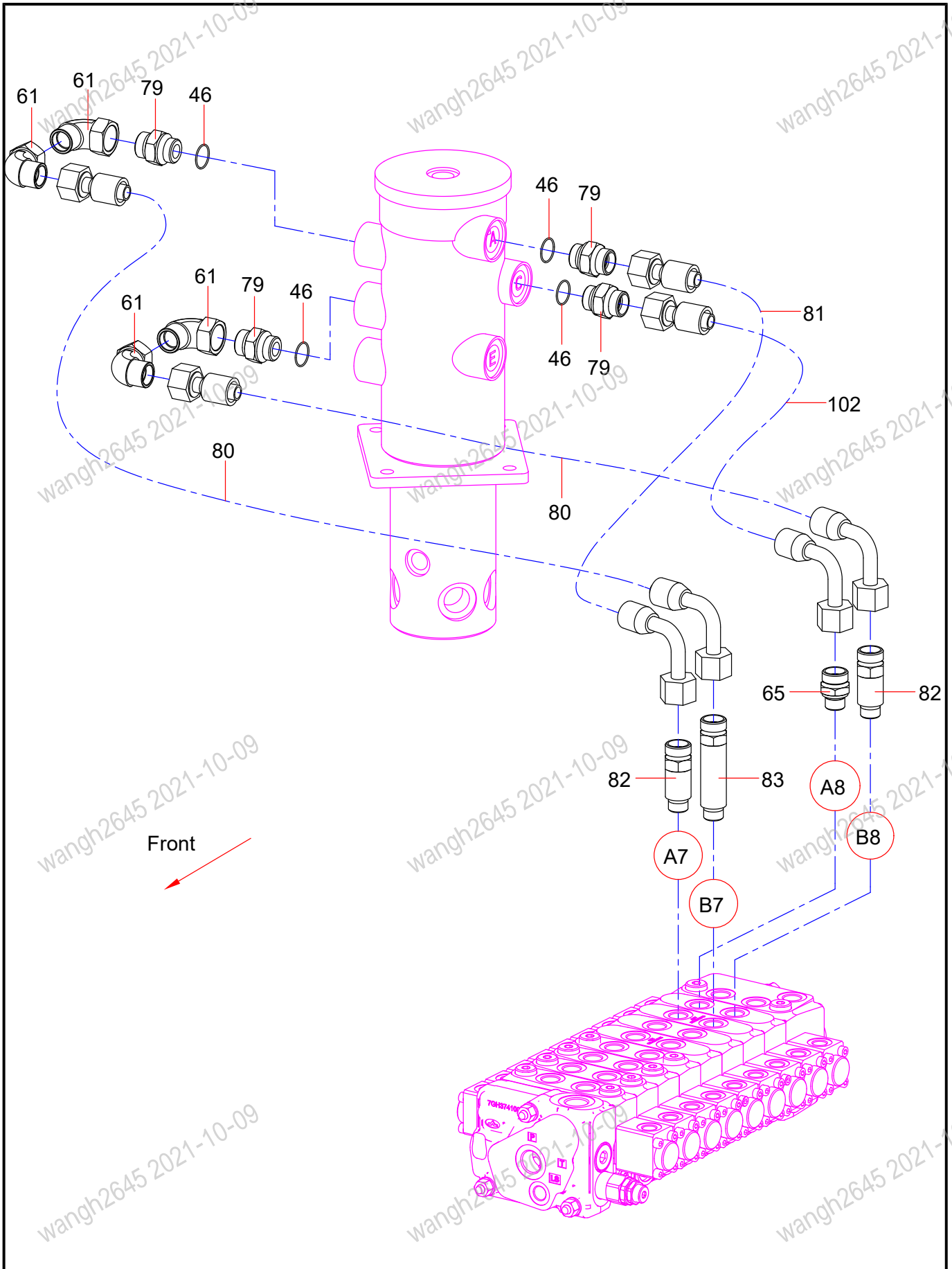
7-58 Slewing device

SY35C5Y3WU(GB)

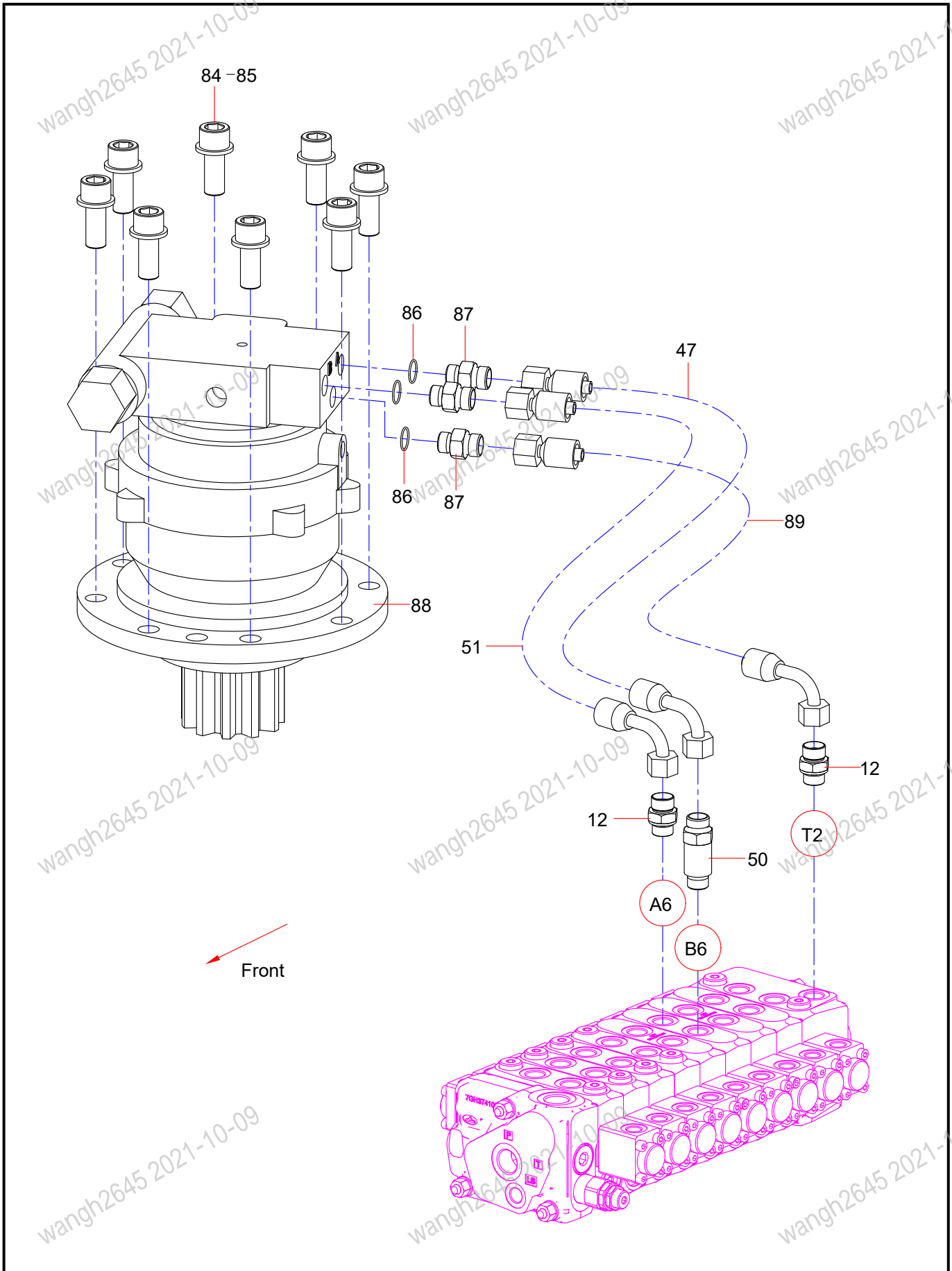
INDEX	PART NO.	DESCRIPTION	QTY	SEE PAGE
11	B210780000024	Fitting, Elbow	7	
45	10541251	Connector	4	
46	B230101000090	O-ring	8	
49	13053044	connector	3	
50	13053059	Connector	5	
51	60243801	Rubber Hose	3	
68	23000063	Screw	1	
69	60240905	holding valve	1	7-96
70	151004210033A	Rubber hose	1	
71	151004210034A	Rubber hose	1	
72	151004210035A	Rubber hose	1	
73	B230103001230	Hose	1	
91	B210780000115	Fitting, Bulkhead Connector	2	
92	60202193	Pipe Connector	2	



INDEX	PART NO.	DESCRIPTION	QTY	SEE PAGE
74	13048278	Cylinder, boom swing	1	7-98
75	B230103003913	Rubber hose	1	
76	60211080	Rubber hose	1	
77	12978969	Connector	1	
78	12978957	Connector	1	



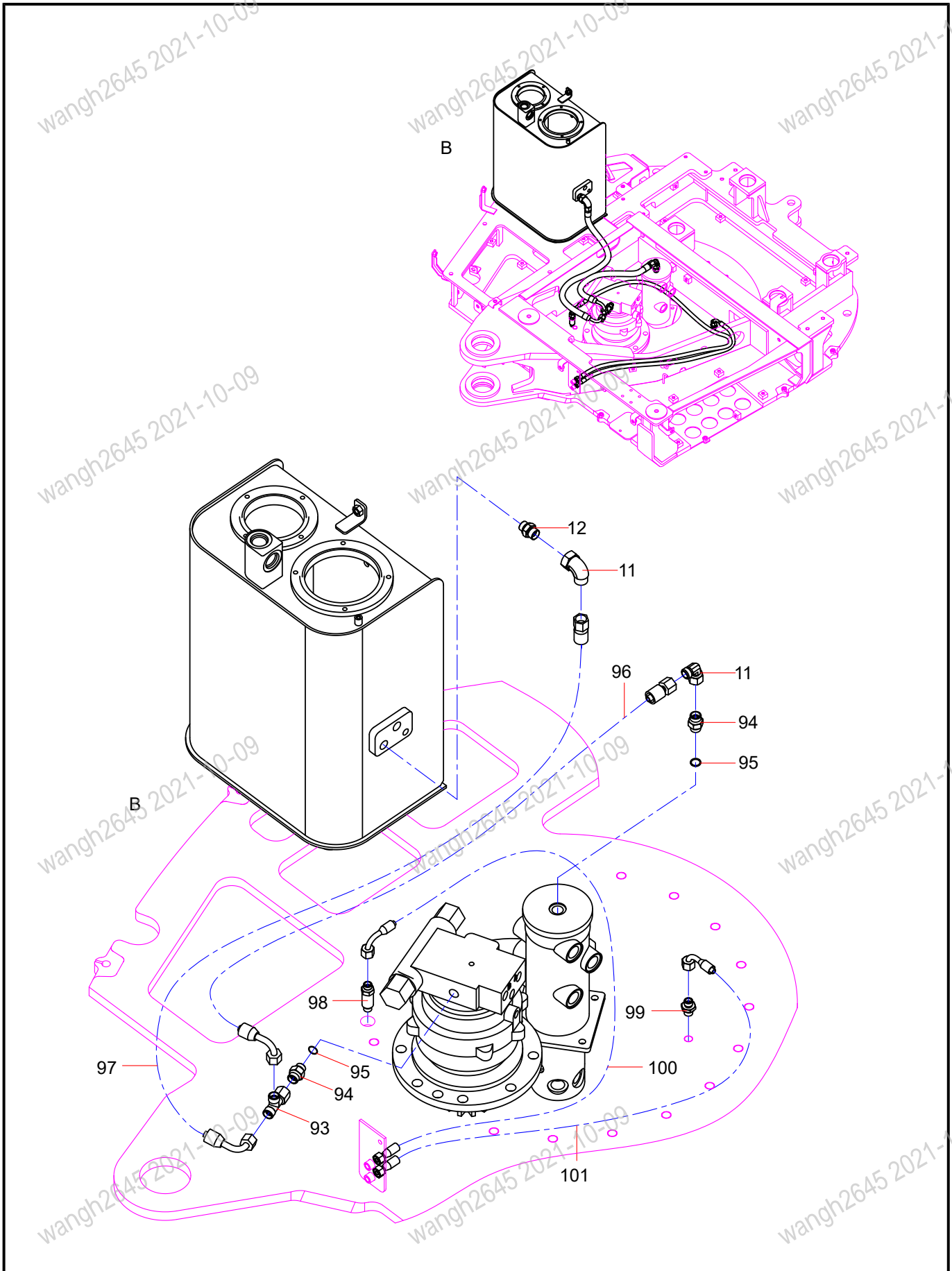
INDEX	PART NO.	DESCRIPTION	QTY	SEE PAGE
46	B230101000090	O-ring	8	
61	B210780000025	Fitting, Elbow	6	
65	B210780000042	End Straight Connector	3	
79	A820205002535	G1/2-M22-L35 Adaptor	4	
80	60153884	Hose	2	
81	151005160056A	Hose	1	
82	13053233	Connector	2	
83	13053029	Connector	1	
102	B230103001231	Hose Assembly	1	



7-64 Slewing device

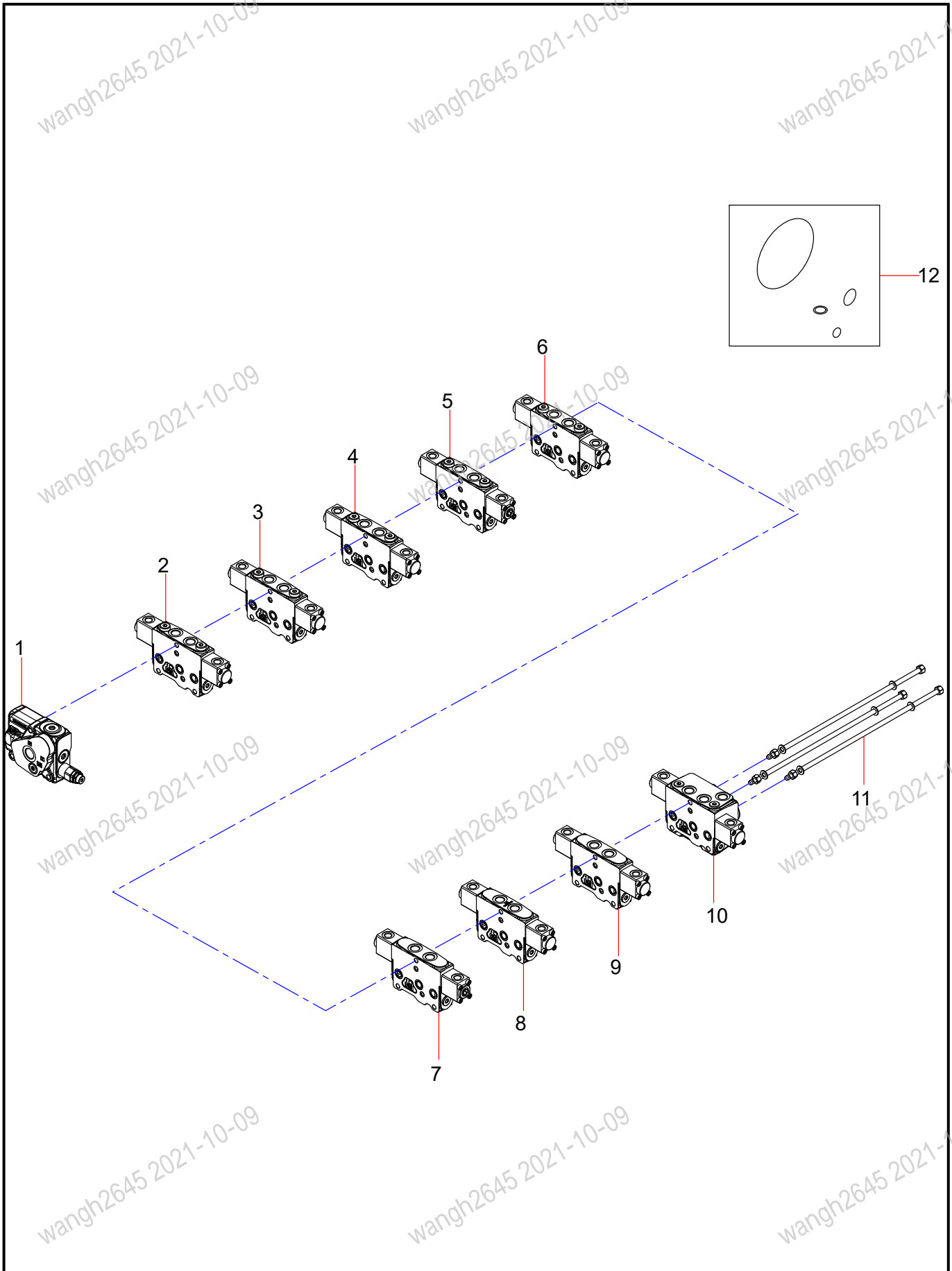
SY35C5Y3WU(GB)

INDEX	PART NO.	DESCRIPTION	QTY	SEE PAGE
12	B210780000180	Fitting	5	
47	151004210029A	Hose	1	
50	13053059	Connector	5	
51	60243801	Rubber Hose	3	
84	A210204000203	Screw	8	
85	24000642	Washer	8	
86	B230101000049	O-ring	5	
87	A820205002389	G3/8-M18 Connector	5	
88	60167754	Reducerassembly	1	7-100
89	B230103004058	Hose	1	



INDEX	PART NO.	DESCRIPTION	QTY	SEE PAGE
11	B210780000024	Fitting, Elbow	7	
12	B210780000180	Fitting	5	
93	B210780000016	Fitting, Tee	1	
94	A820205000844	Fitting	2	
95	B230101000047	O-ring	2	
96	B230103004426	Rubber Hose	1	
97	B230103001057	Rubber Hose	1	
98	12877195	G1/4(Ed)-M14Connector	1	
99	23000531	Fitting	1	
100	B230103000074	Hy hose 1SN6-DKOL-DKOL90-1600Q/SY1102	1	
101	B230103000980	Hose Assembly	1	

150601080001 Multiple valve

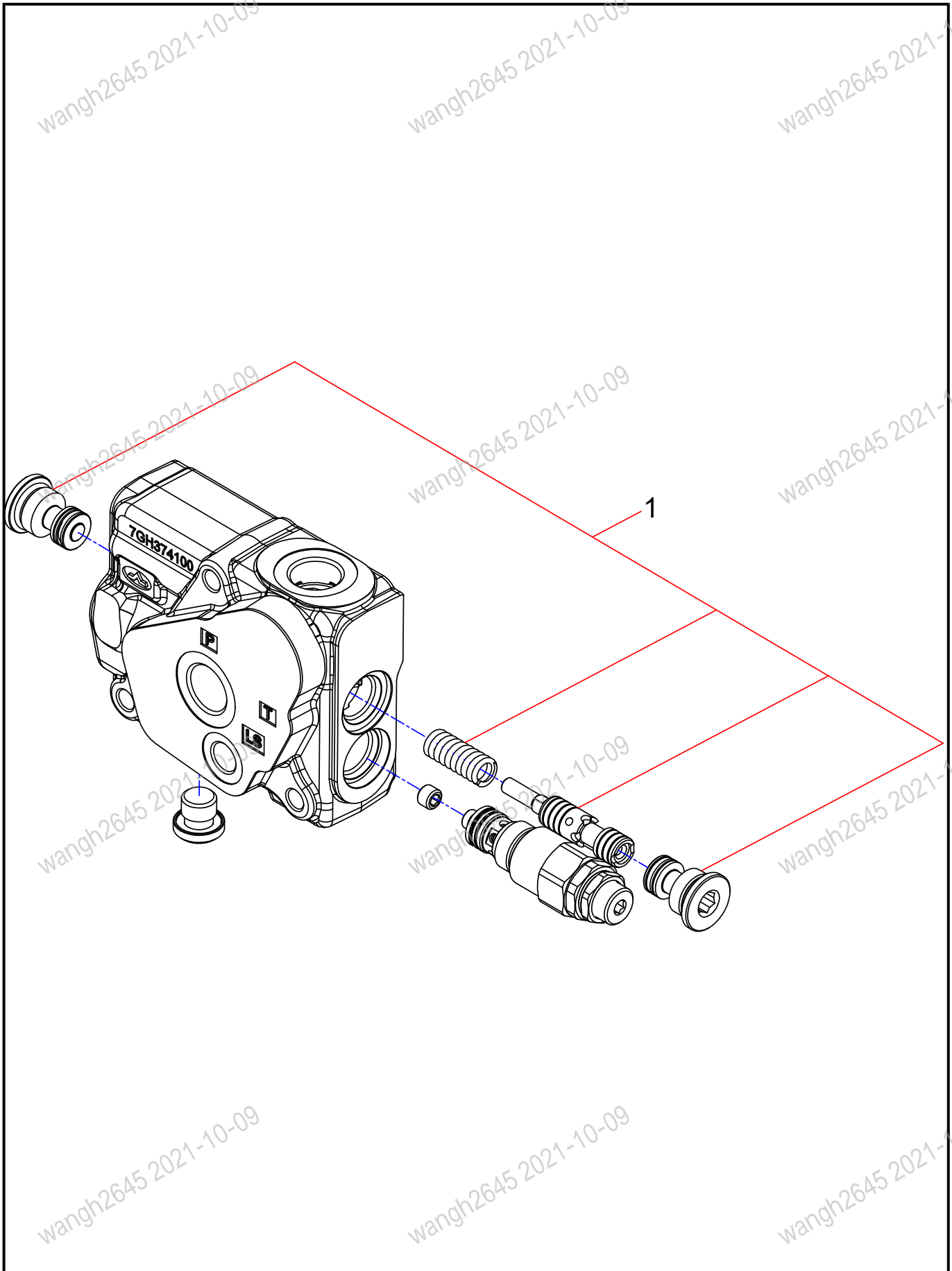


7-68 Slewing devic

SY35C5Y3WU(GB)

INDEX	PART NO.	DESCRIPTION	QTY	SEE PAGE
1	150601080022B001	Inlet Section Assy	1	7-70
2	150601080022B002	Bucket Section Assy	1	7-72
3	150601080022B003	Arm Section Assy	1	7-74
4	150601080022B004	Boom Section Assy	1	7-76
5	150601080022B005	Aux Section Assy	1	7-78
6	150601080022B006	run-out Section Assy	1	7-80
7	150601080022B007	Swing Section Assy	1	7-82
8	150601080022B008	Left Travel Section Assy	1	7-84
9	150601080022B009	Right Travel Section Assy	1	7-86
10	150601080022B010	Bulldozing shovel Section Assy	1	7-88
11	150601080019B012	Screw Section Assy	3	
12	60248042	Multi-way valve repairing kit	1	

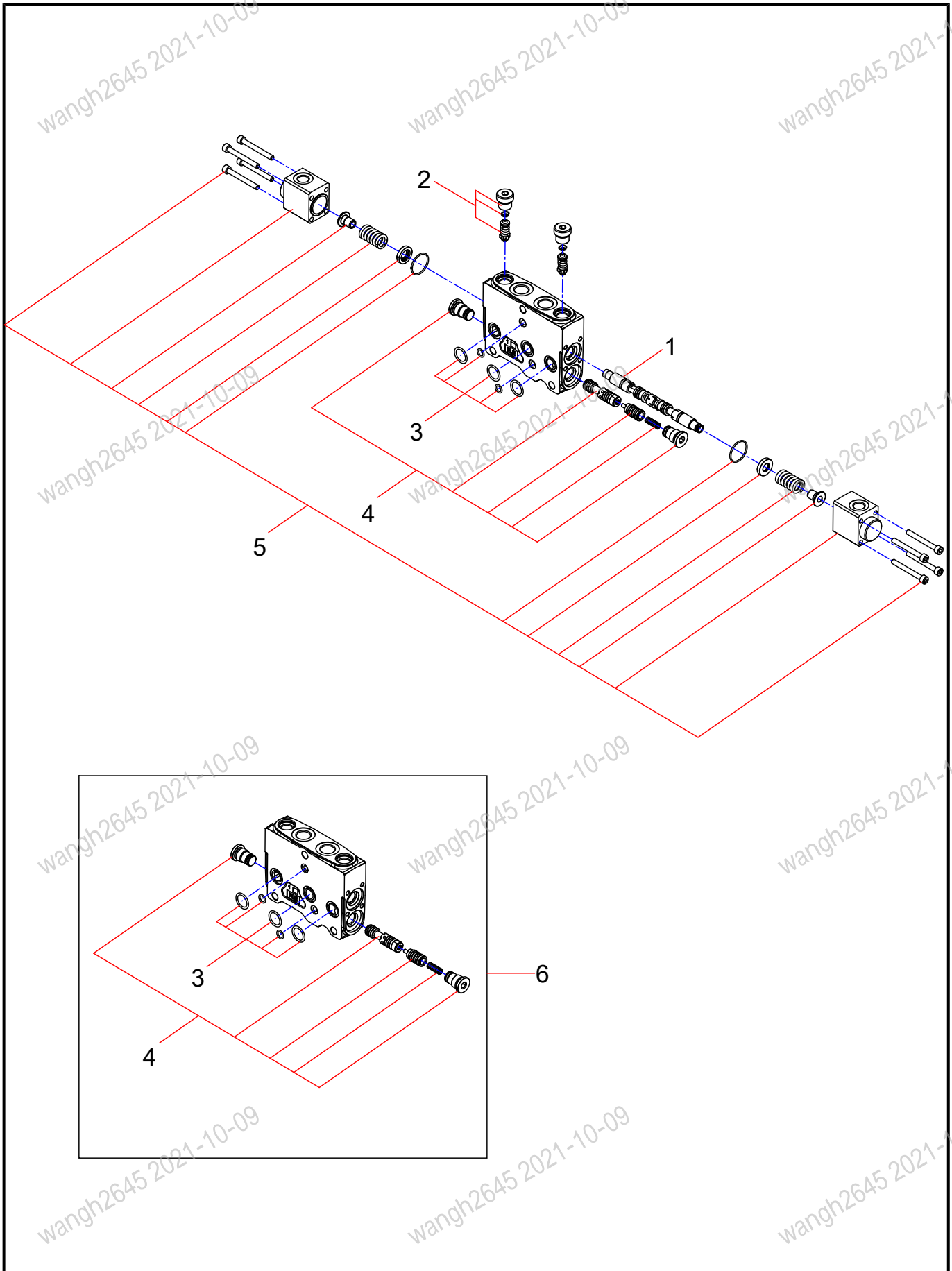
150601080022B001 Inlet Section Assy



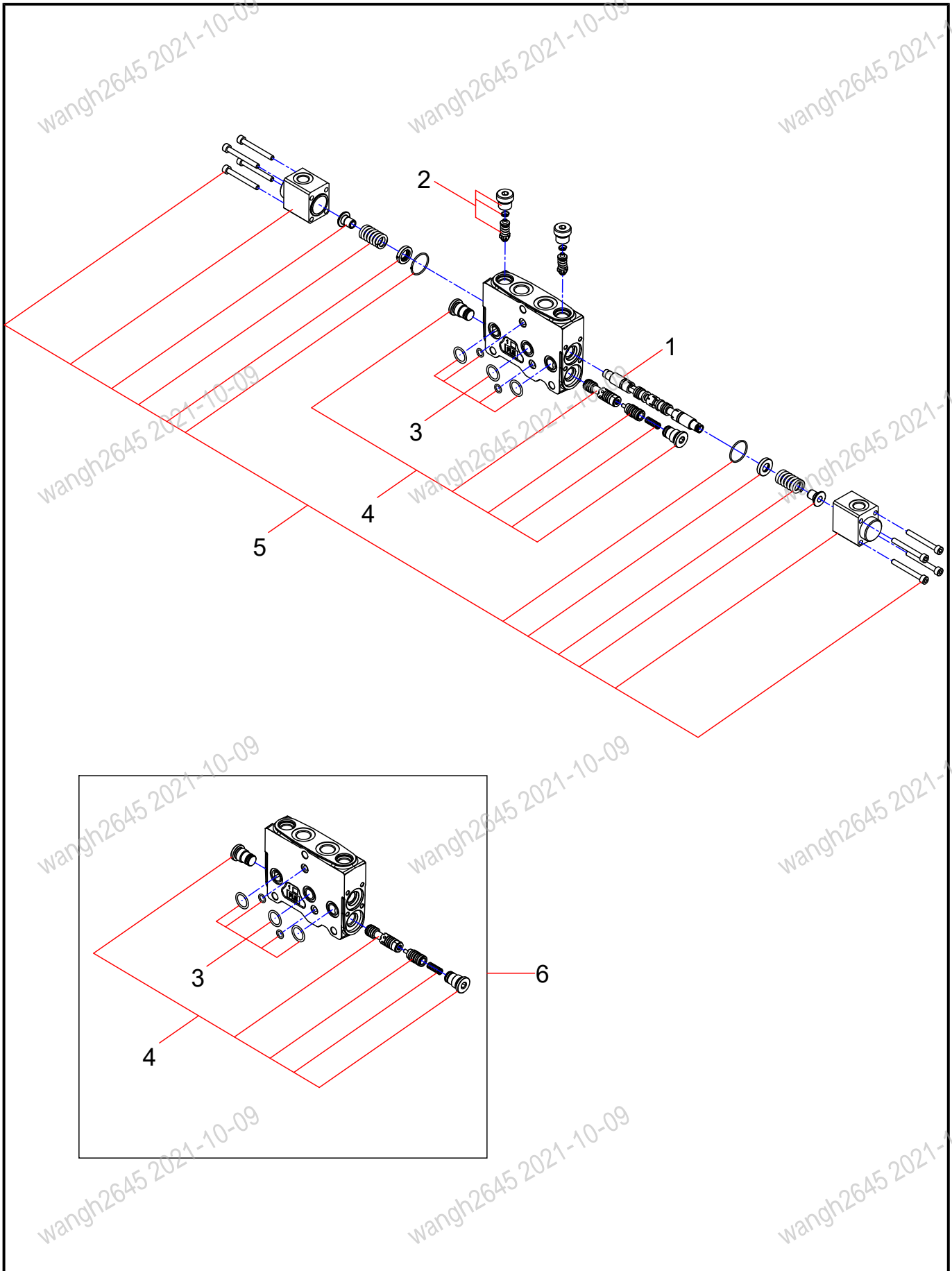
7-70 Slewing device

SY35C5Y3WU(GB)

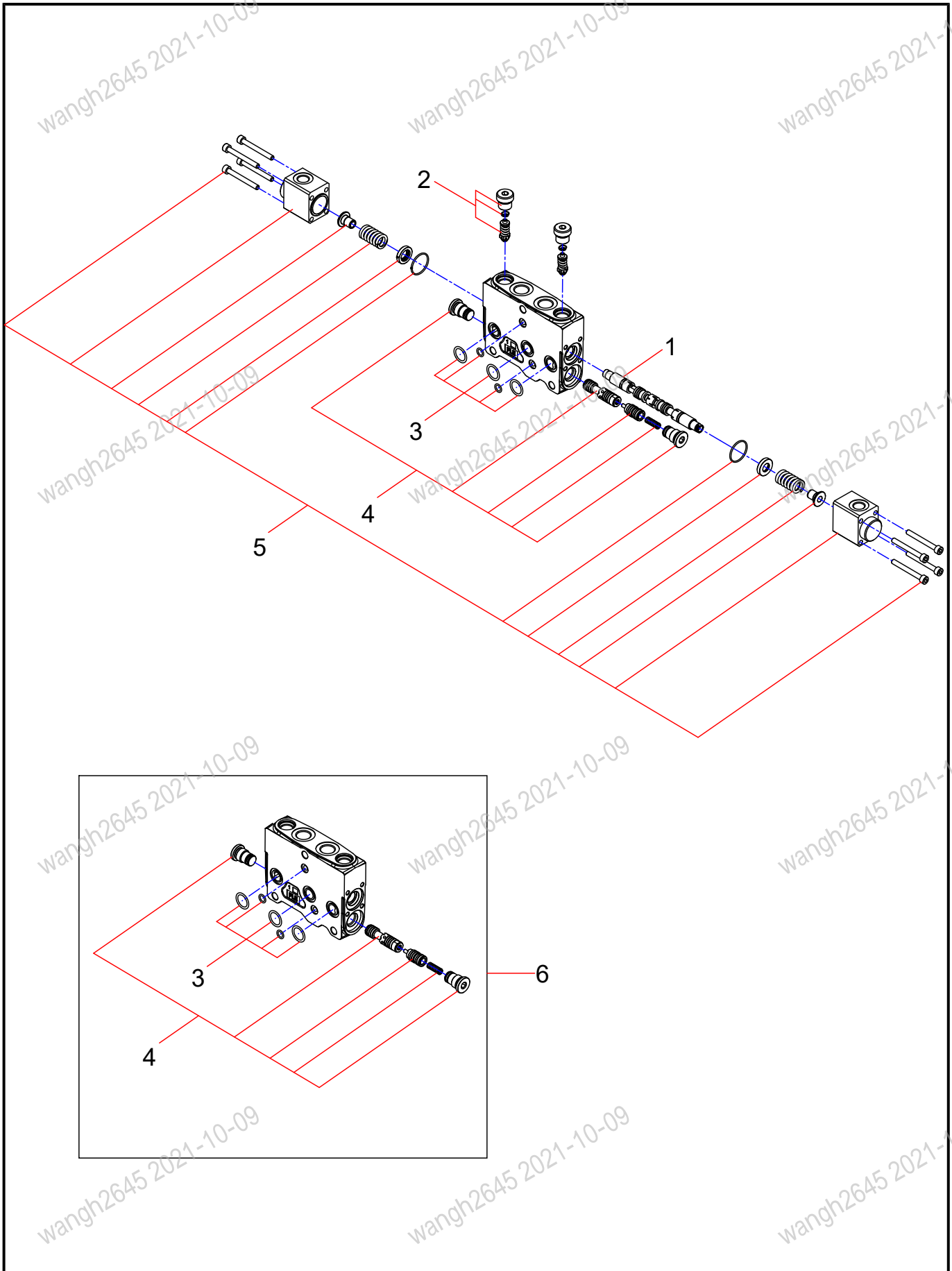
INDEX	PART NO.	DESCRIPTION	QTY	SEE PAGE
1	150601080022B011	spool component	1	



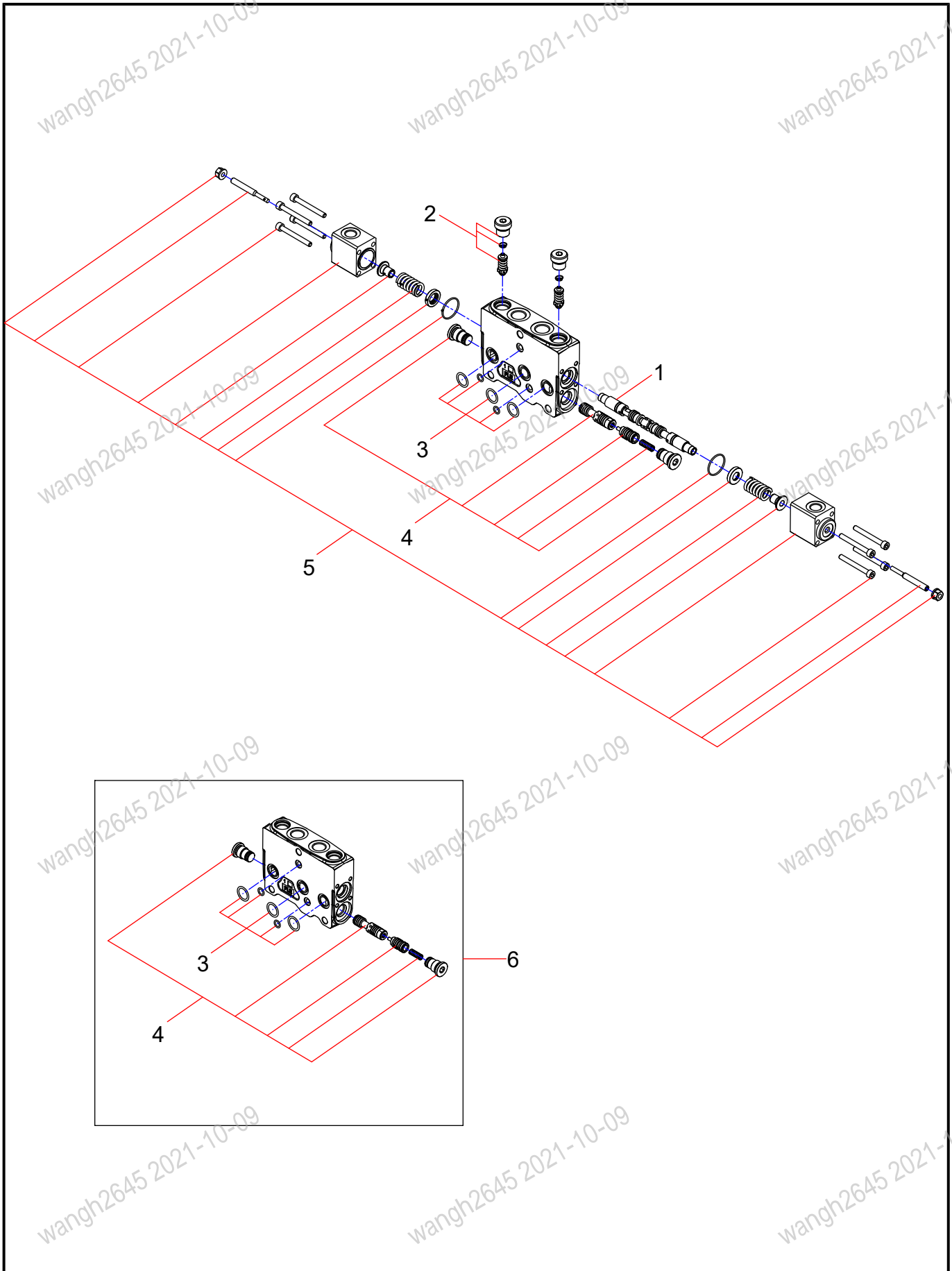
INDEX	PART NO.	DESCRIPTION	QTY	SEE PAGE
1	60259216	BUCKET SPOOL	1	
2	60333908	Relief valve	2	
3	150601080019B014	O-ring component	1	
4	150601080019B015	spool component	1	
5	150601080019B016	Cover component	1	
6	150601080019B017	Body of valve component	1	



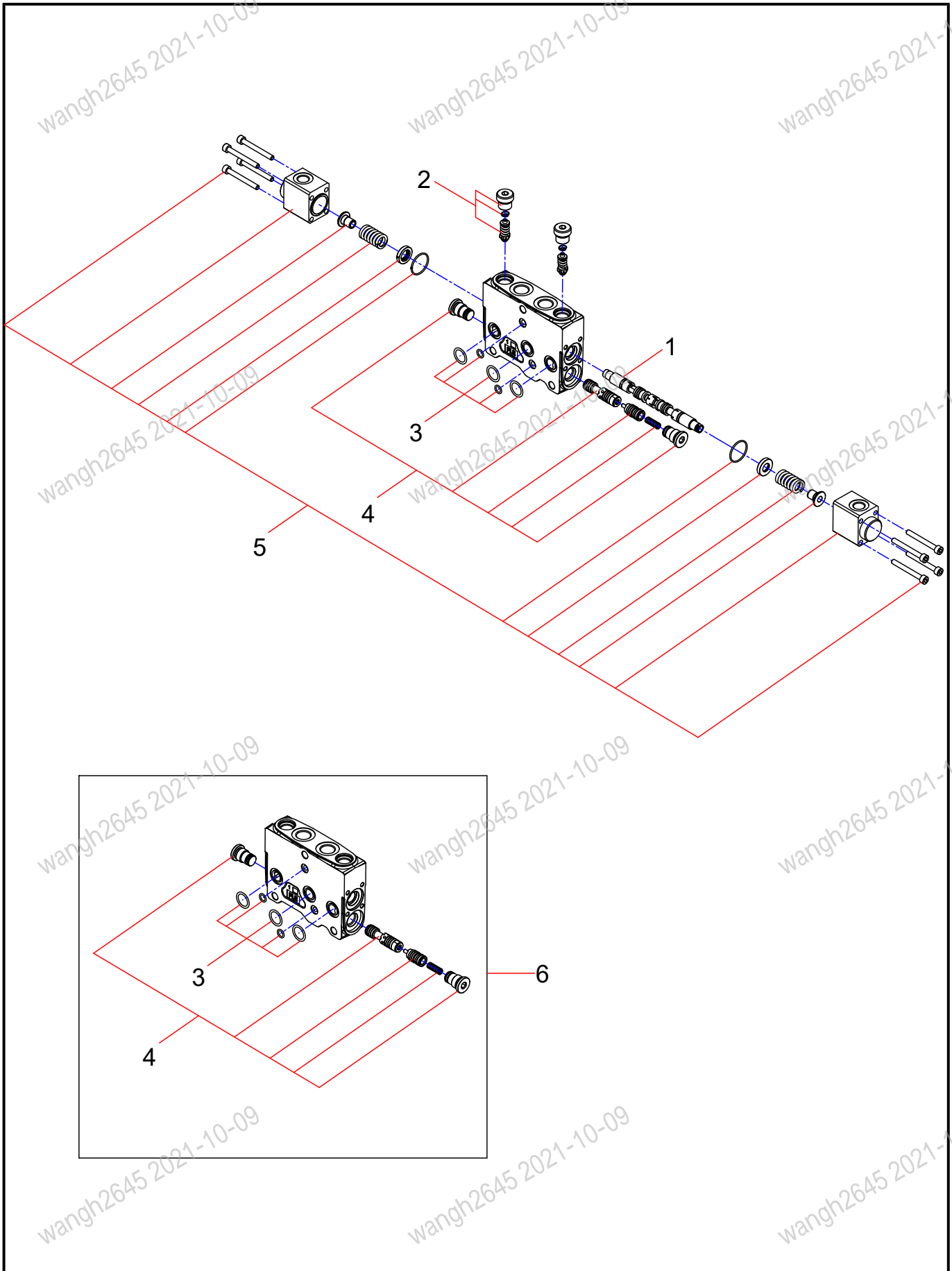
INDEX	PART NO.	DESCRIPTION	QTY	SEE PAGE
1	60259215	ARM SPOOL	1	
2	60333908	Relief valve	2	
3	150601080019B014	O-ring component	1	
4	150601080019B015	spool component	1	
5	150601080019B016	Cover component	1	
6	150601080019B017	Body of valve component	1	



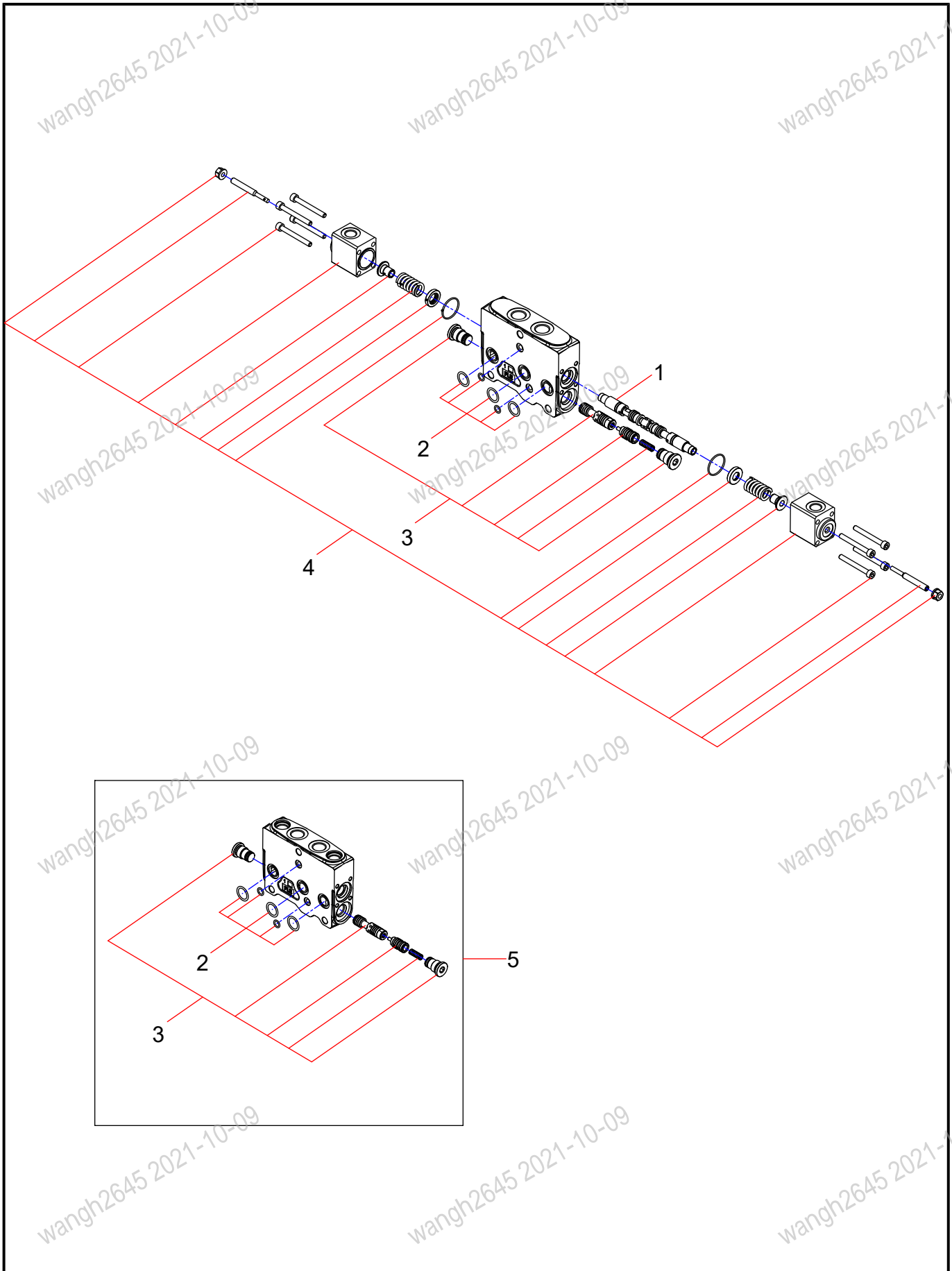
INDEX	PART NO.	DESCRIPTION	QTY	SEE PAGE
1	60259214	BOOM SPOOL	1	
2	60333908	Relief valve	2	
3	150601080019B014	O-ring component	1	
4	150601080019B015	spool component	1	
5	150601080019B016	Cover component	1	
6	150601080019B017	Body of valve component	1	



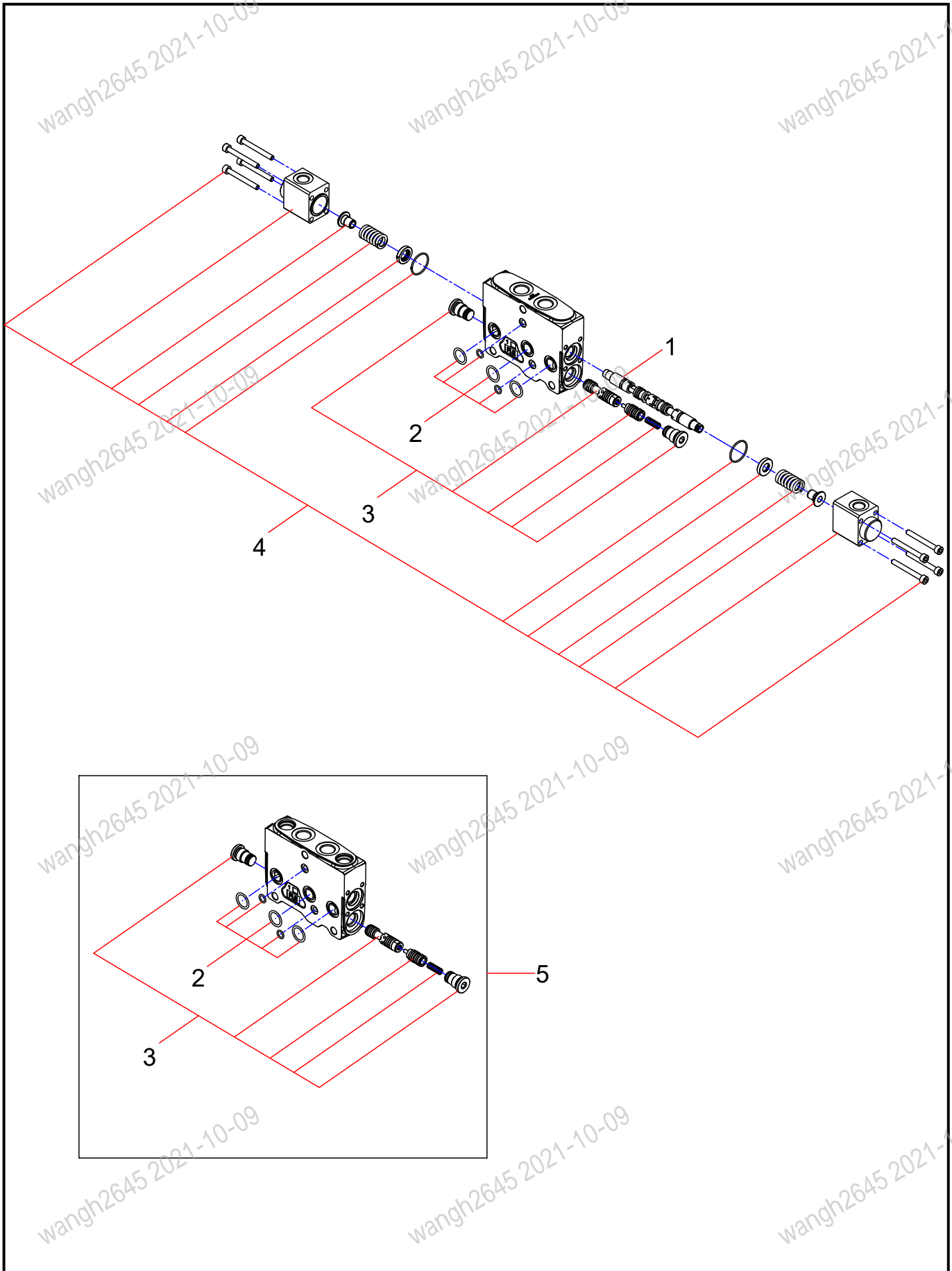
INDEX	PART NO.	DESCRIPTION	QTY	SEE PAGE
1	60295052	Breaking Valve Spool	1	
2	60333908	Relief valve	2	
3	150601080019B014	O-ring component	1	
4	150601080019B015	spool component	1	
5	150601080019B018	Cover component	1	
6	150601080019B017	Body of valve component	1	



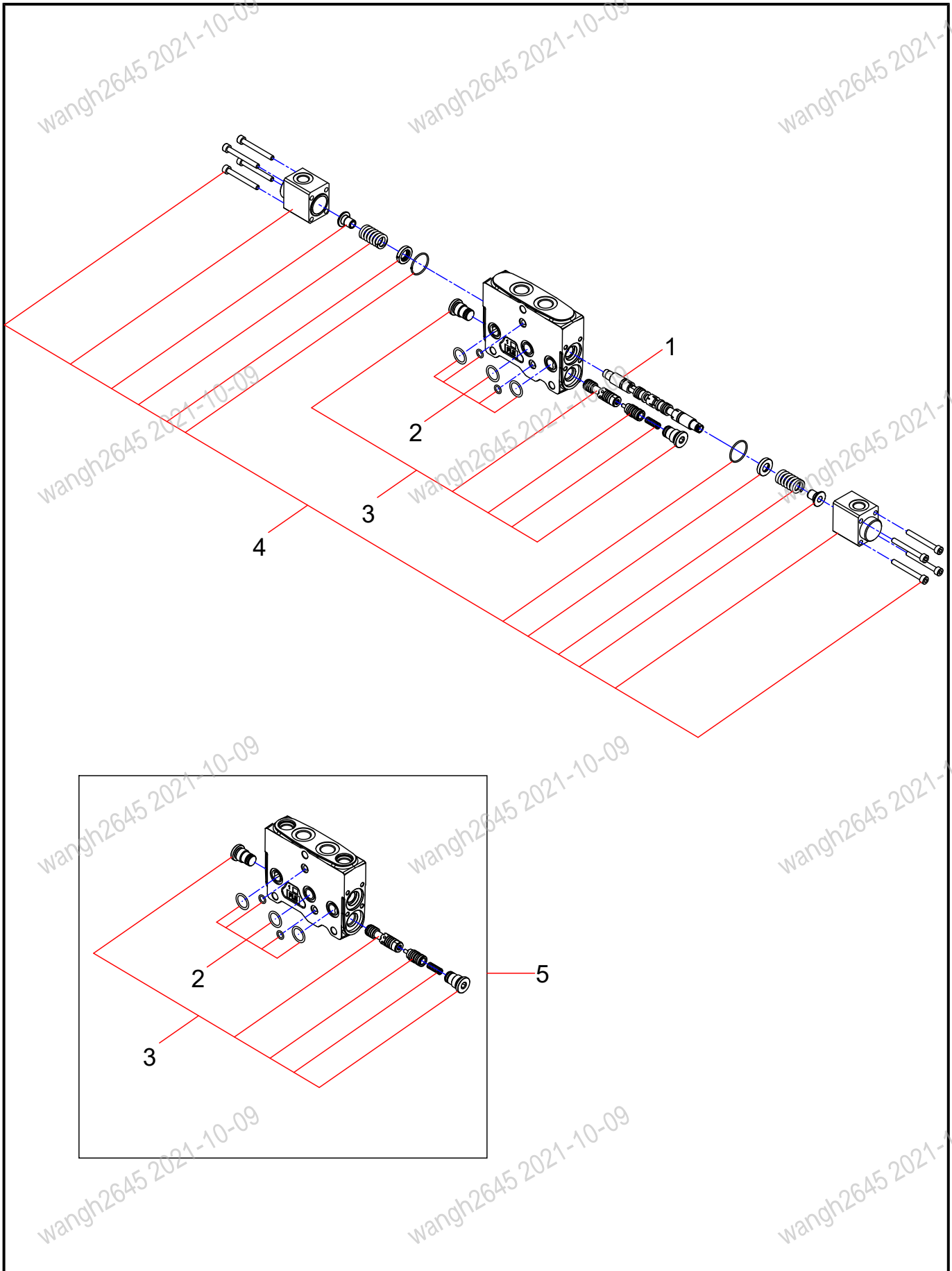
INDEX	PART NO.	DESCRIPTION	QTY	SEE PAGE
1	60295049	pendulum Valve Spool	1	
2	60333908	Relief valve	2	
3	150601080019B014	O-ring component	1	
4	150601080019B015	spool component	1	
5	150601080019B016	Cover component	1	
6	150601080019B019	Body of valve component	1	



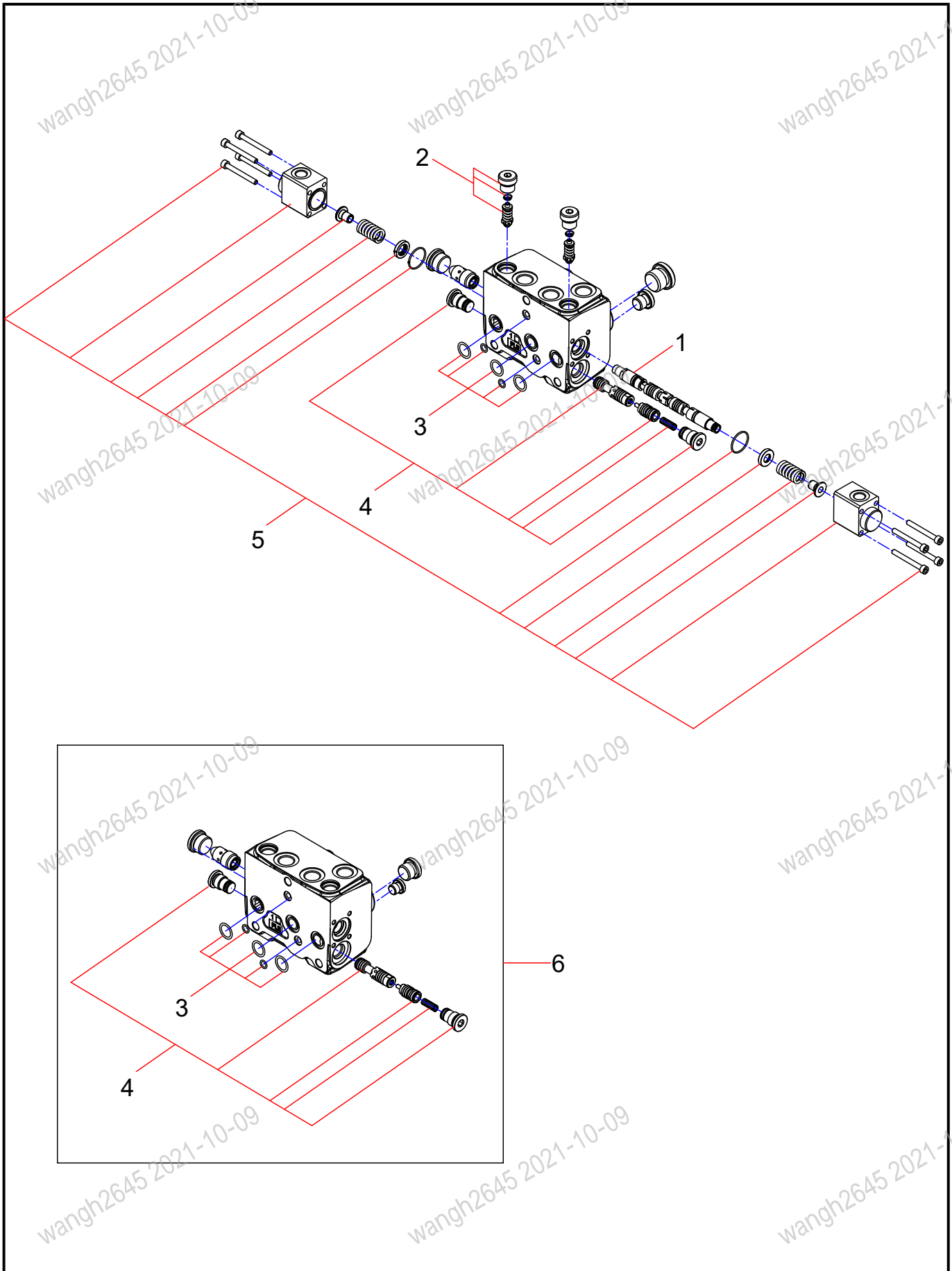
INDEX	PART NO.	DESCRIPTION	QTY	SEE PAGE
1	60295035	Rotary Valve Spool	1	
2	150601080019B014	O-ring component	1	
3	150601080019B021	spool component	1	
4	150601080019B018	Cover component	1	
5	150601080019B023	Body of valve component	1	



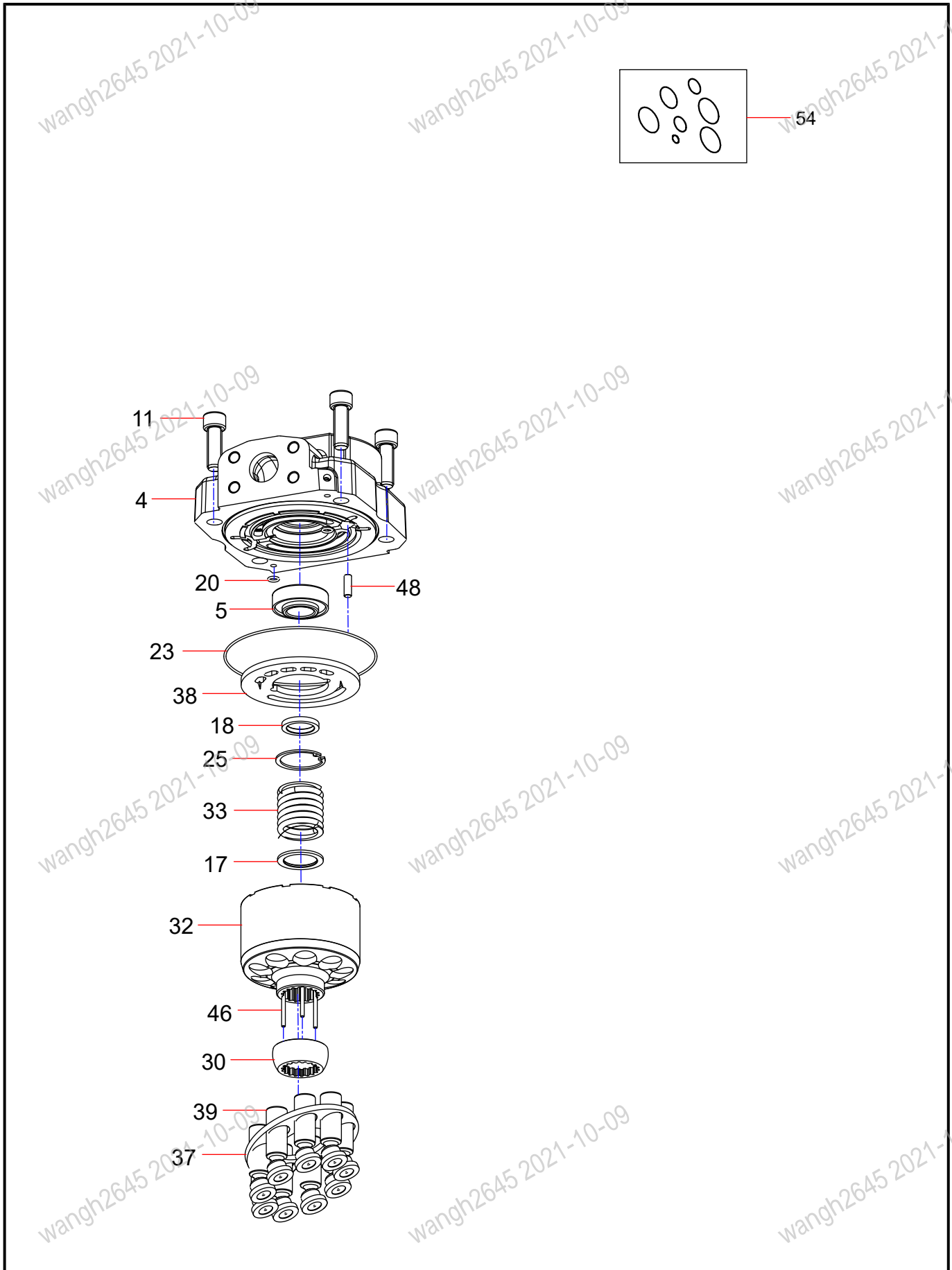
INDEX	PART NO.	DESCRIPTION	QTY	SEE PAGE
1	60259212	TRAVEL SPOOL	1	
2	150601080019B014	O-ring component	1	
3	150601080022B012	spool component	1	
4	150601080019B016	Cover component	1	
5	150601080022B013	Body of valve component	1	



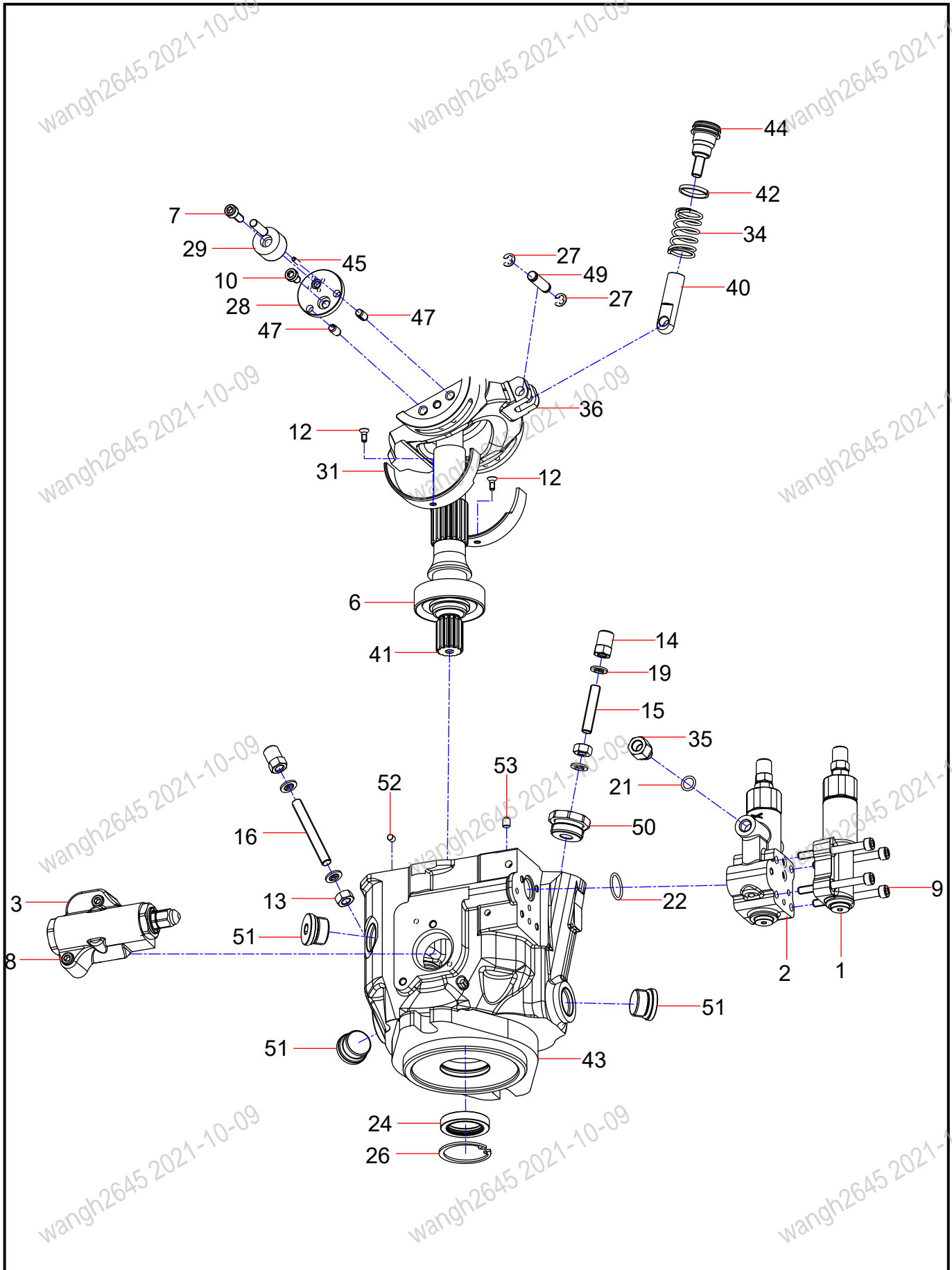
INDEX	PART NO.	DESCRIPTION	QTY	SEE PAGE
1	60259212	TRAVEL SPOOL	1	
2	150601080019B014	O-ring component	1	
3	150601080022B012	spool component	1	
4	150601080019B016	Cover component	1	
5	150601080022B014	Body of valve component	1	



INDEX	PART NO.	DESCRIPTION	QTY	SEE PAGE
1	150601080022B015	spool	1	
2	60333908	Relief valve	2	
3	150601080019B014	O-ring component	1	
4	150601080019B015	spool component	1	
5	150601080019B016	Cover component	1	
6	150601080022B016	Body of valve component	1	

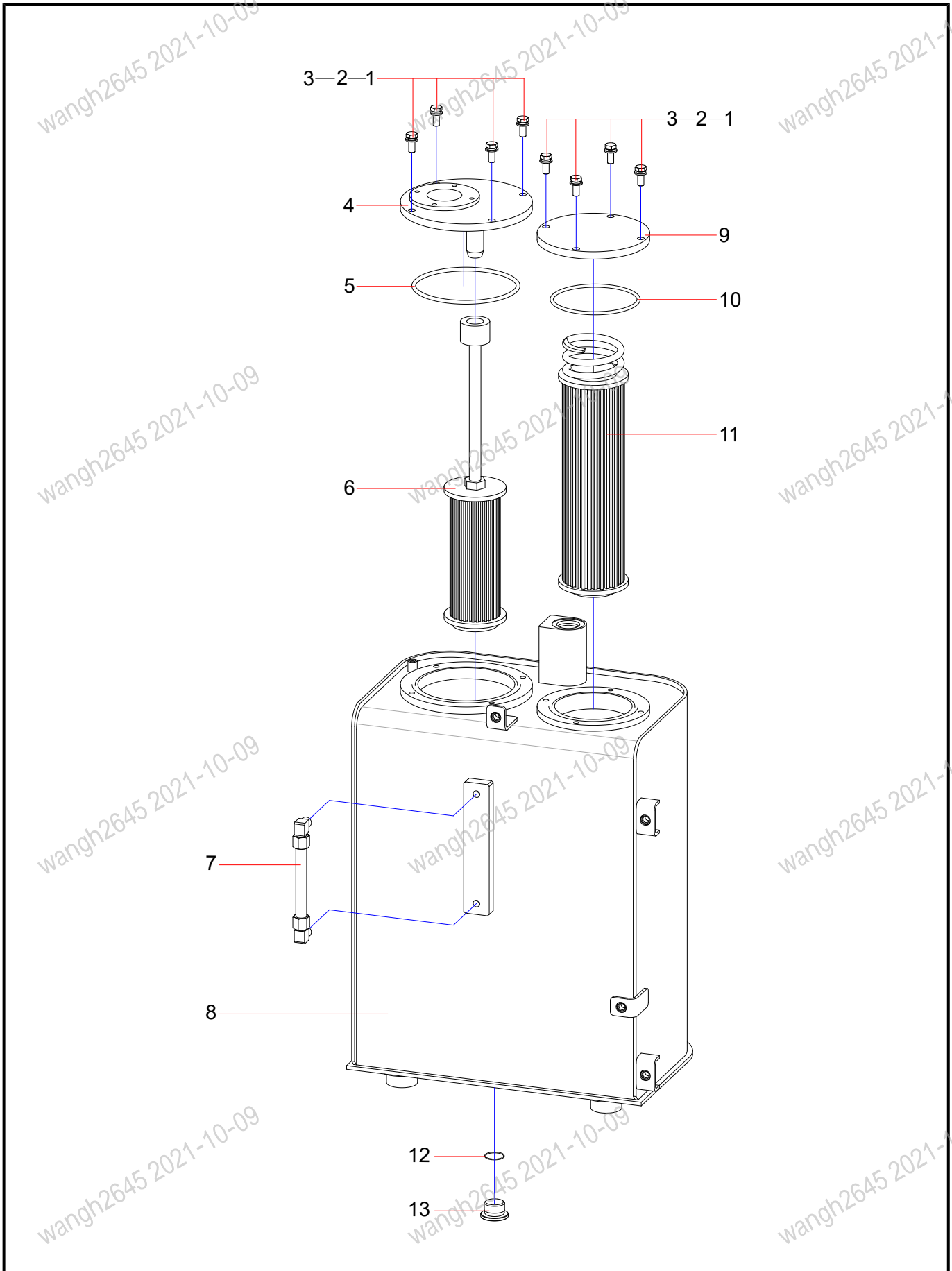


INDEX	PART NO.	DESCRIPTION	QTY	SEE PAGE
4	60249499	COVER MVP 48-LME/MC (1)	1	
5	60249500	ROLLER_BEARING_LM12749-LM12710_TIMKEN	1	
11	60249502	SCREW TCEI M12×35 UNI 5931-12.9	1	
17	60249505	SHOULDER WASHER CYLINDER BLOCK LVP 48	1	
18	60249506	SHOULDER WASHER SHAFT MVP 48	1	
20	60247553	O-ring	4	
23	60249508	O RING SEAL PH 2-048 90 SH.A	1	
25	60249510	RING 38 UNI 7437-DIN 472	1	
30	60249512	SPLINED RING LVP 48	1	
32	60249514	CYLINDERS BLOCK MVP 48	2	
33	60249515	PISTONS SPRING LVP 48	1	
37	60249518	PISTONS GUIDE PLATE MVP 48 HP	1	
38	60249519	VALVE PLATE MVP 48 DX TAKAKO	1	
39	60249520	PISTON LVP 48 (ASSY)	1	
46	60249525	DOWEL PIN CASEHARDENED MM.3x36 UNI1707	1	
48	60247577	Dowel Pin Elassytic	2	
54	60248041	Plunger Pump Repair Kit	1	



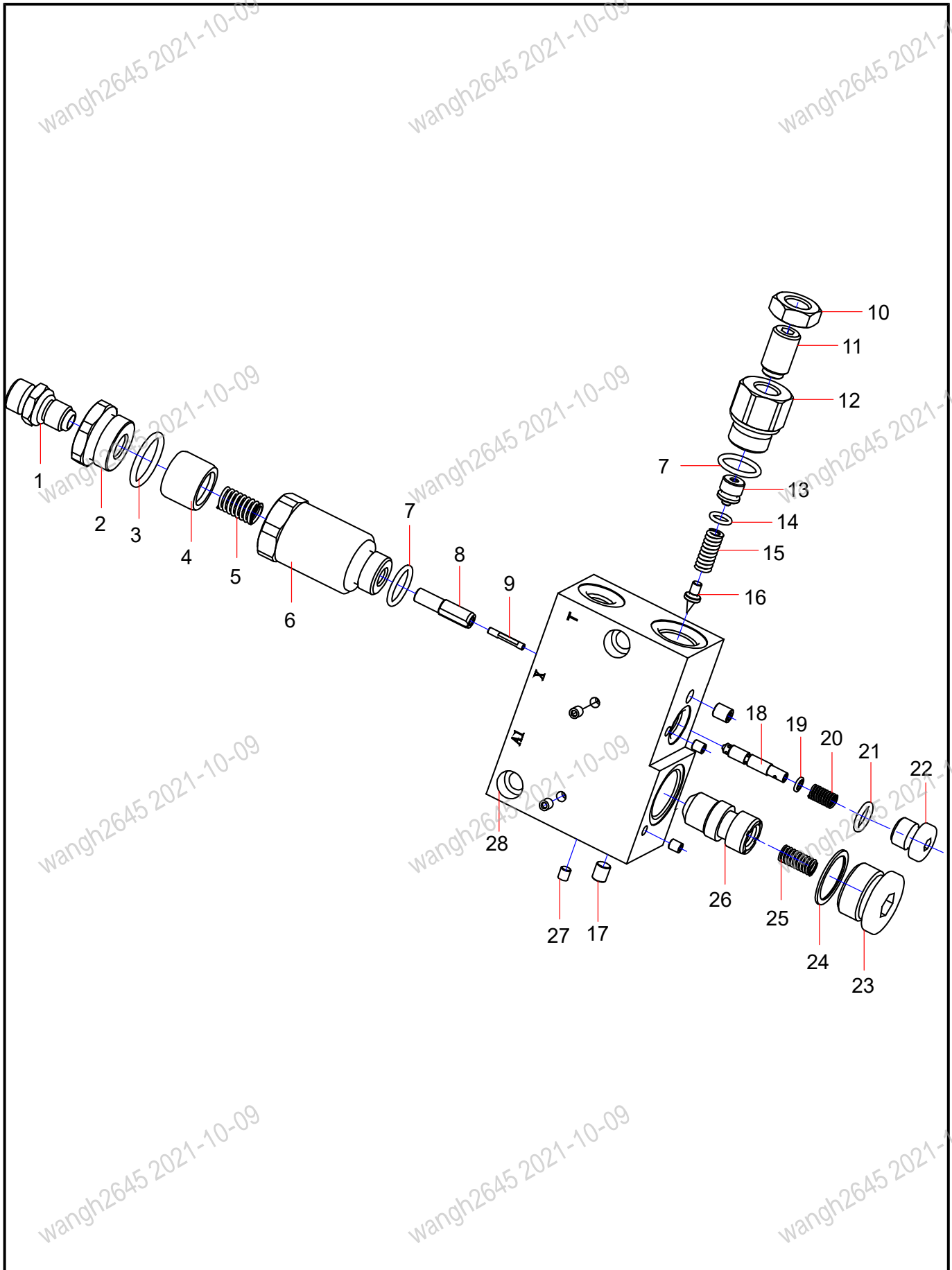
INDEX	PART NO.	DESCRIPTION	QTY	SEE PAGE
1	60171602	Pressure Valve-Control	1	
2	60249497	Flow Compensator Mvp Ls2	1	
3	60249498	Torque Limiter Pump Mvp	1	
6	60249501	ROLLER_BEARING_322/28B_(LVP45)	1	
7	60247541	SCREW TCEI	1	
8	60202268	Screw	1	
9	60249213	Screw	2	
10	60247543	SCREW TCEI	4	
12	60247545	Bolt	4	
13	60249503	NUT M8 UNI 5588-A-TURNED	2	
14	60247547	NUT	4	
15	60249504	SCREW M8x40-5923-14.9 45H	4	
16	60247548	Bolt	1	
19	60247552	SCREW	1	
21	60249507	O-ring Seal Or 2037 70Gra Sh.A	6	
22	60247554	o-ring	1	
24	60249509	SHAFT SEAL BABSL 28X40X7	1	
26	60249511	RING 40 UNI 7437-DIN 472	1	
27	60247558	RING	1	
28	60171666	Drive Torque Limiter	2	
29	60171549	Device-Driven	1	
31	60249513	SEMI-RING SWASH PLATE SUPPORT MVP 48	1	
34	60249516	COUNTERBALANCING SPRING MVP 48	1	
35	60171650	Fitting, Adapter	1	
36	60249517	SWASH PLATE MVP 48 VRP NF ISF	1	
40	60249521	CONNECTION SHAFT MVP 48 (1)	9	
41	60249522	SHAFT MVP 48 VERSION 04	1	
42	60247571	NUT	1	
43	60249523	PUMP BODY MVP 48 VERS S5-OC VRP	1	
44	60249524	PISTON MVP 48	1	
45	60247574	Dowel Pin Elassytic	1	
47	60247576	Dowel Pin Elassytic	3	
49	60247578	DOWEL PIN ELASTIC	1	
50	60249527	PLUG TE 3/4 GAS WITH OR PH 2-120 25	1	
51	60247580	STEEL PLUG TCEI	3	
52	60247581	STEEL PLUG TCEI	1	
53	60171632	Plug	6	

13060533 hydraulic oil tank assy.



INDEX	PART NO.	DESCRIPTION	QTY	SEE PAGE
1	24000633	Washer	8	
2	24000511	Washer	8	
3	A210111000343	Bolt	8	
4	13061617	plate	1	
5	A210608000018	O-ring	1	
6	60167908	Filtercore	1	
7	A250100000174	Liquid Level Thermometer	1	
8	13061263	hydraulic oil tan	1	
9	13061324	Plate	1	
10	A880802040016	O-ring	1	
11	60114999	Filter Core	1	
12	B230101000356	O-ring	1	
13	10514225	Plug	1	

60240905 holding valve

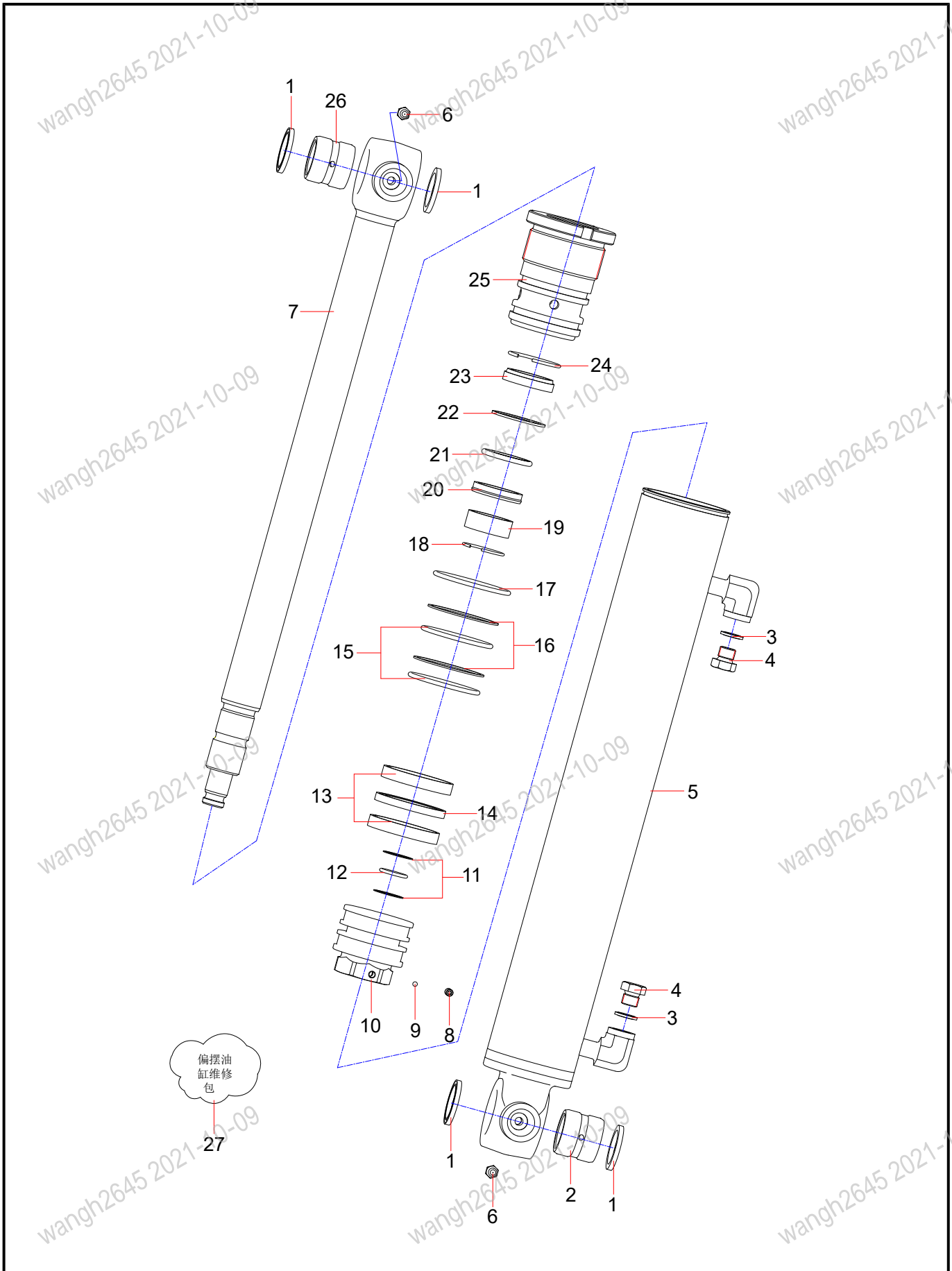


7-96 Slewing devic

SY35C5Y3WU(GB)

INDEX	PART NO.	DESCRIPTION	QTY	SEE PAGE
1	60290332	Connection	1	
2	60290333	Plug	1	
3	21029124	O-ring	1	
4	60290334	Control Piston	1	
5	60290335	Spring	1	
6	60290336	Piston Cover	1	
7	60290337	O-ring	2	
8	60290338	Piston Rod	1	
9	60290339	Control Rod	1	
10	60290340	Nut	1	
11	60290341	Bolt	1	
12	60290342	Valve Pocket	1	
13	60290343	Piston	1	
14	A210608000007	O-ring	1	
15	60290344	Spring	1	
16	60290345	Poppet	1	
17	60290346	Plug	2	
18	60290347	Spool	1	
19	60290348	Washer	1	
20	60290349	Spring	1	
21	21000123	O-ring	1	
22	60290350	Plug	1	
23	60290351	Plug	1	
24	60290352	Seal Washer	1	
25	60290353	Spring	1	
26	60290355	Spool	1	
27	60290356	Plug	5	
28	60290357	Body	1	

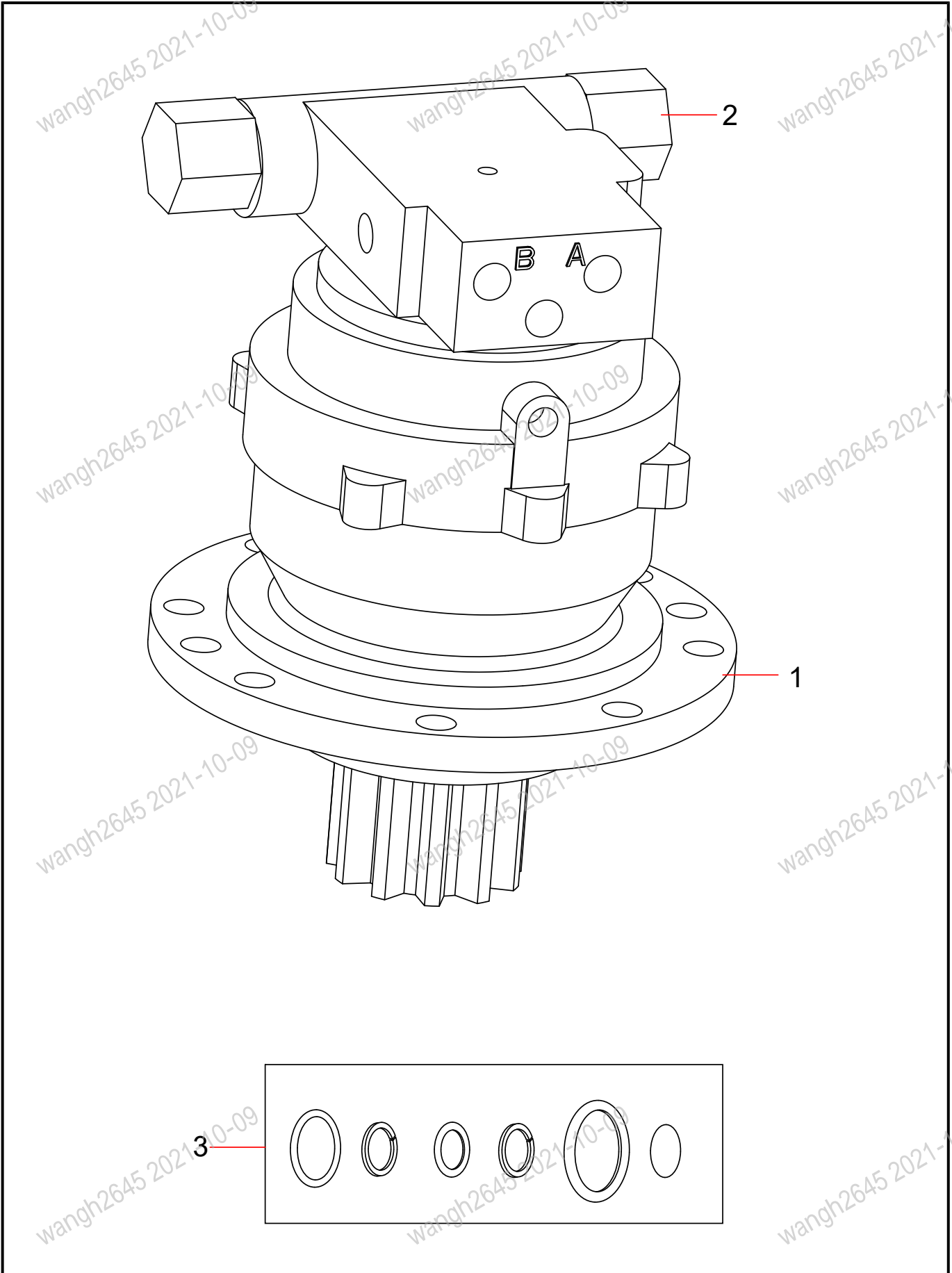
13048278 Cylinder, boom swing



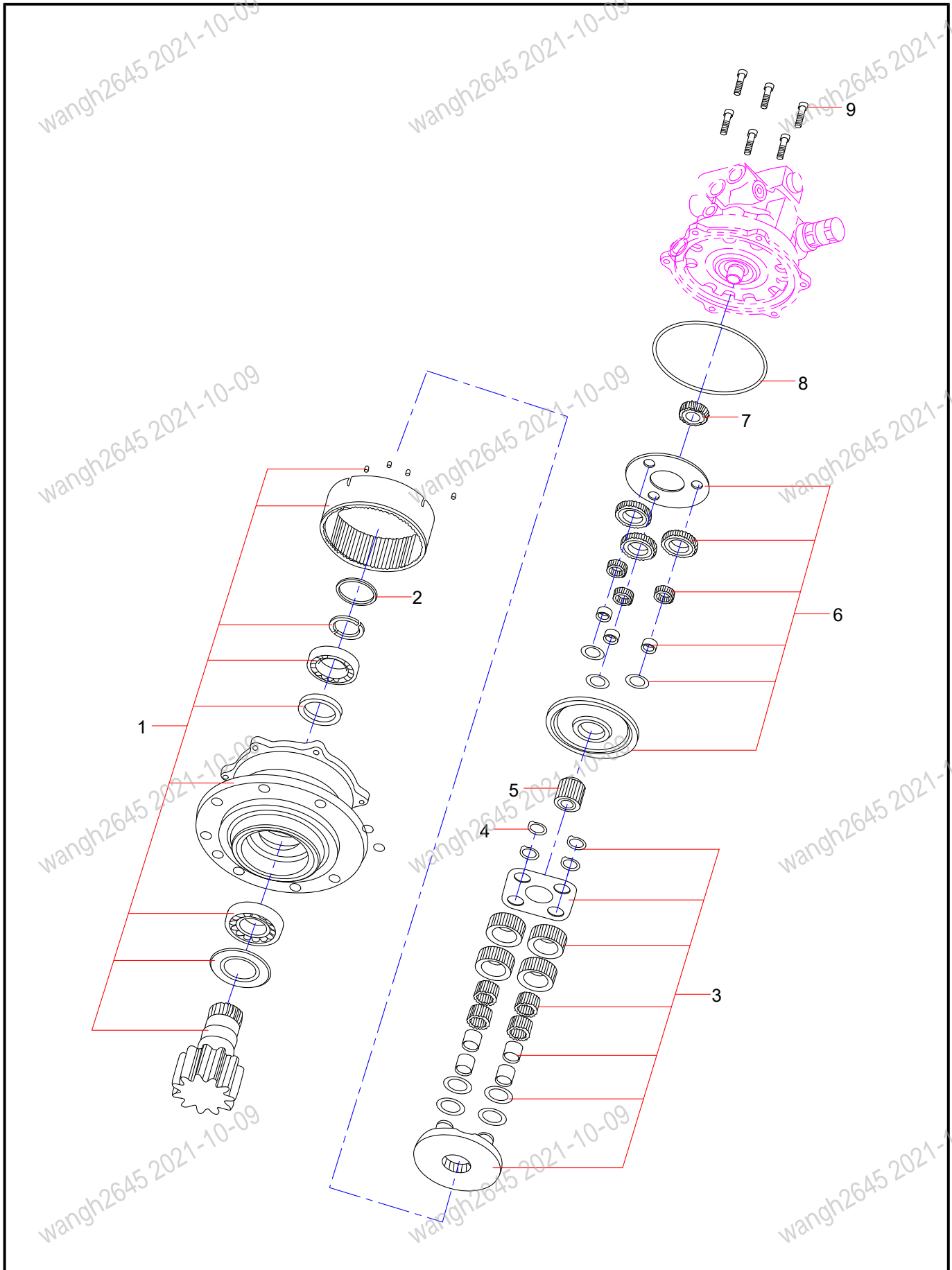
7-98 Slewing devic

SY35C5Y3WU(GB)

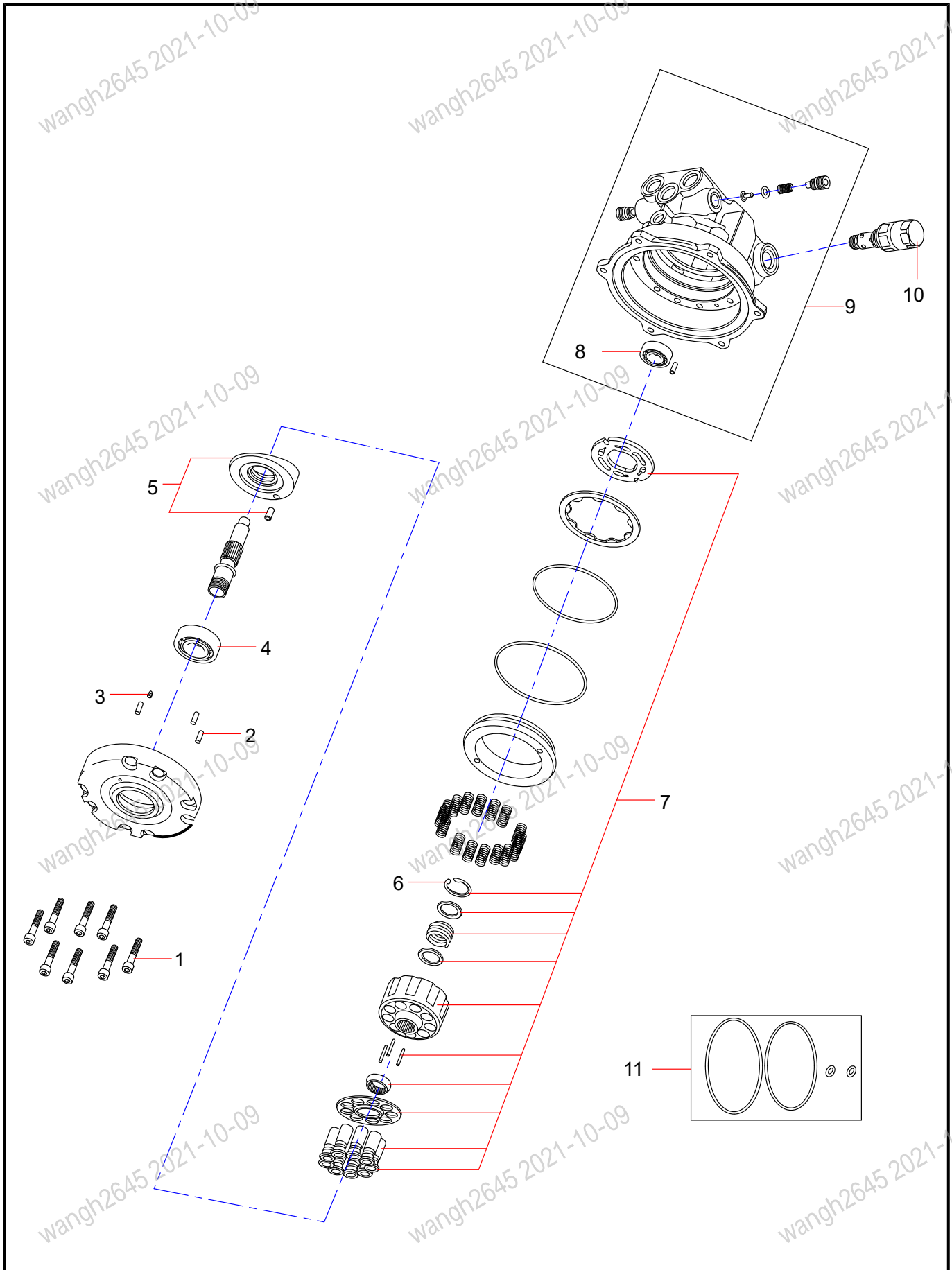
INDEX	PART NO.	DESCRIPTION	QTY	SEE PAGE
1	60255849	Dust Ring	4	
2	13048257	Bush	1	
3	13387733	sealing gasket	2	
4	13387734	head	2	
5	13048269	Cylinder assem.	1	
6	A210804000002	Fitting, Grease	2	
7	13048268	Piston rod assem	1	
8	A210206000001	Screw	1	
9	A210661000015	Steel Ball	1	
10	13048255	Piston	1	
11	13254955	Retainer Ring	2	
12	A230101000496	O-ring	1	
13	A880806030085	Guide ring	2	
14	60087463	Seal ring	1	
15	A210609000077	O-ring	2	
16	B210491000007	Retainer Ring	2	
17	A210609000079	O-ring	1	
18	A210417000045	Retainer Ring	1	
19	60035658	Bushing	1	
20	60184737	Seal Ring	1	
21	60035790	Seal Ring	1	
22	60035652	Ring Retaining	1	
23	60184718	Dust Ring	1	
24	A210417000107	Retainer Ring	1	
25	13048256	de sleeve	1	
26	13239087	Bush	1	
27	60248045	Cylinder Repair Kit	1	



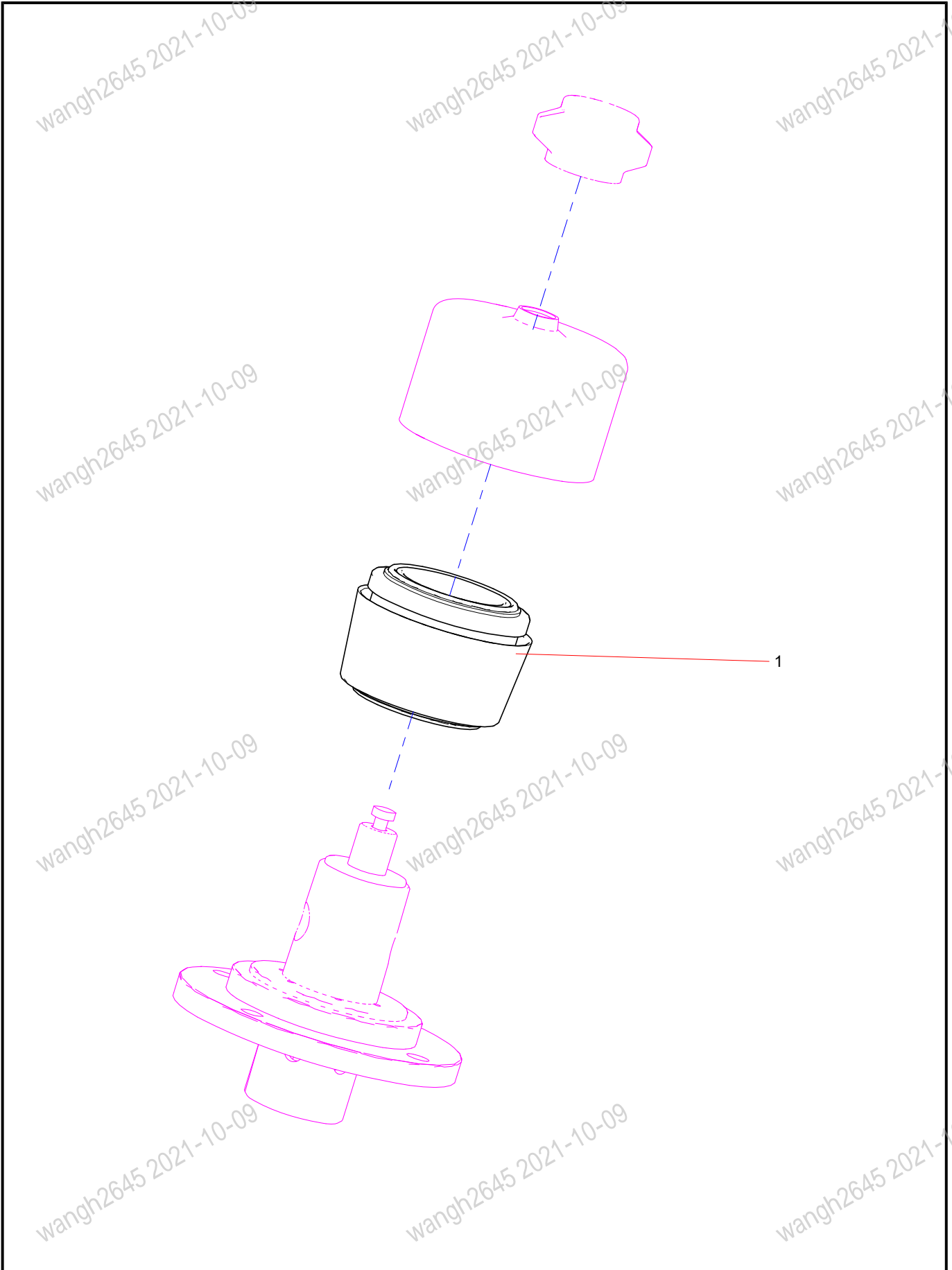
INDEX	PART NO.	DESCRIPTION	QTY	SEE PAGE
1	60258140	Reducer components	1	7-102
2	60258141	Motor components	1	7-104
3	60248043	swing reducer assembly Repair kit	1	



INDEX	PART NO.	DESCRIPTION	QTY	SEE PAGE
1	60258134	PINION SUB ASSY	1	
2	60258098	RING	1	
3	60258135	CARRIER 1 SUB ASSY	1	
4	60258092	Snap Ring	4	
5	60258081	S1 GEAR	1	
6	60258136	CARRIER 2 SUB ASSY	1	
7	60258082	S2 Gear	1	
8	60258086	O-ring	1	
9	60258096	SCREW	6	

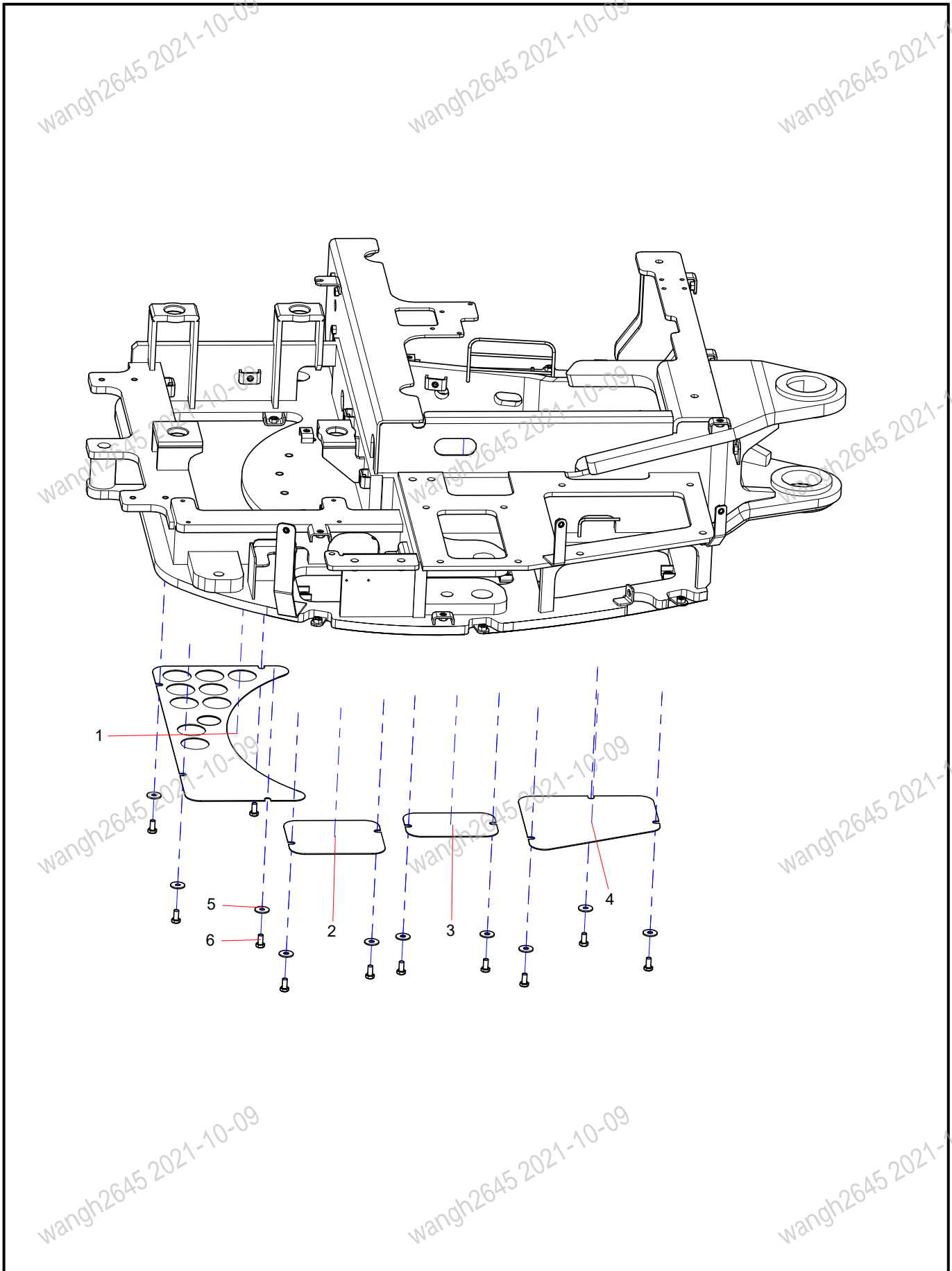


INDEX	PART NO.	DESCRIPTION	QTY	SEE PAGE
1	60164376	Screw	8	
2	60164322	Pin	3	
3	60258113	Filter	1	
4	60258115	BEARING	1	
5	60260278	SWASH PLATE KIT 1	1	
6	60258116	Snap Ring	1	
7	60258138	CYLINDER BARREL SUB ASSY	1	
8	A210601000003	Rolling bearing	1	
9	60258137	BODY H SUB ASSY	1	
10	60258122	RELIEF VALVE	2	
11	60164336	Kit, Seal	1	



INDEX	PART NO.	DESCRIPTION	QTY	SEE PAGE
1	60186788	Filter, Hydraulic Tank Breather	1	

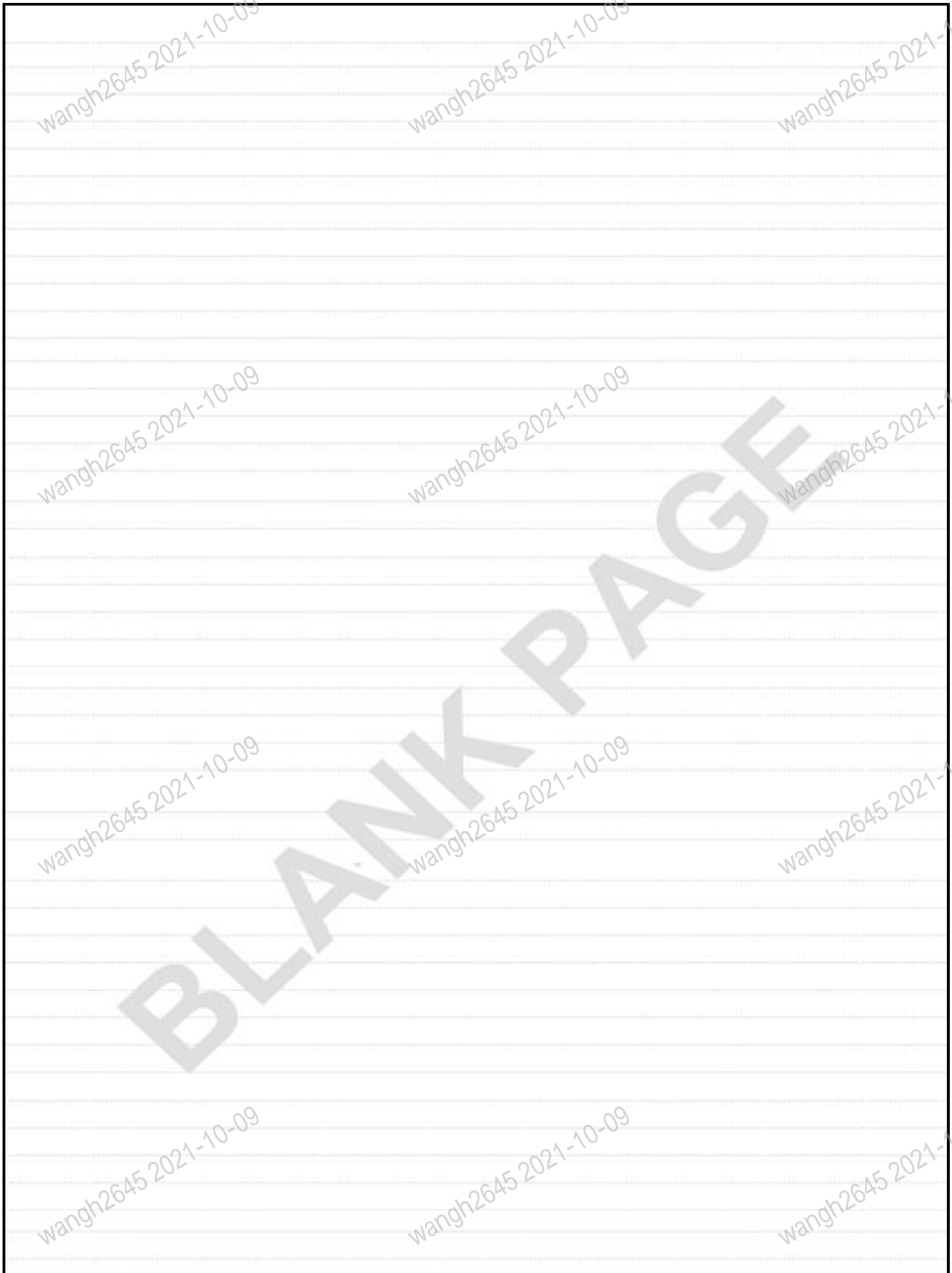
13097119 sealing board assembly



7-108 Slewing devic

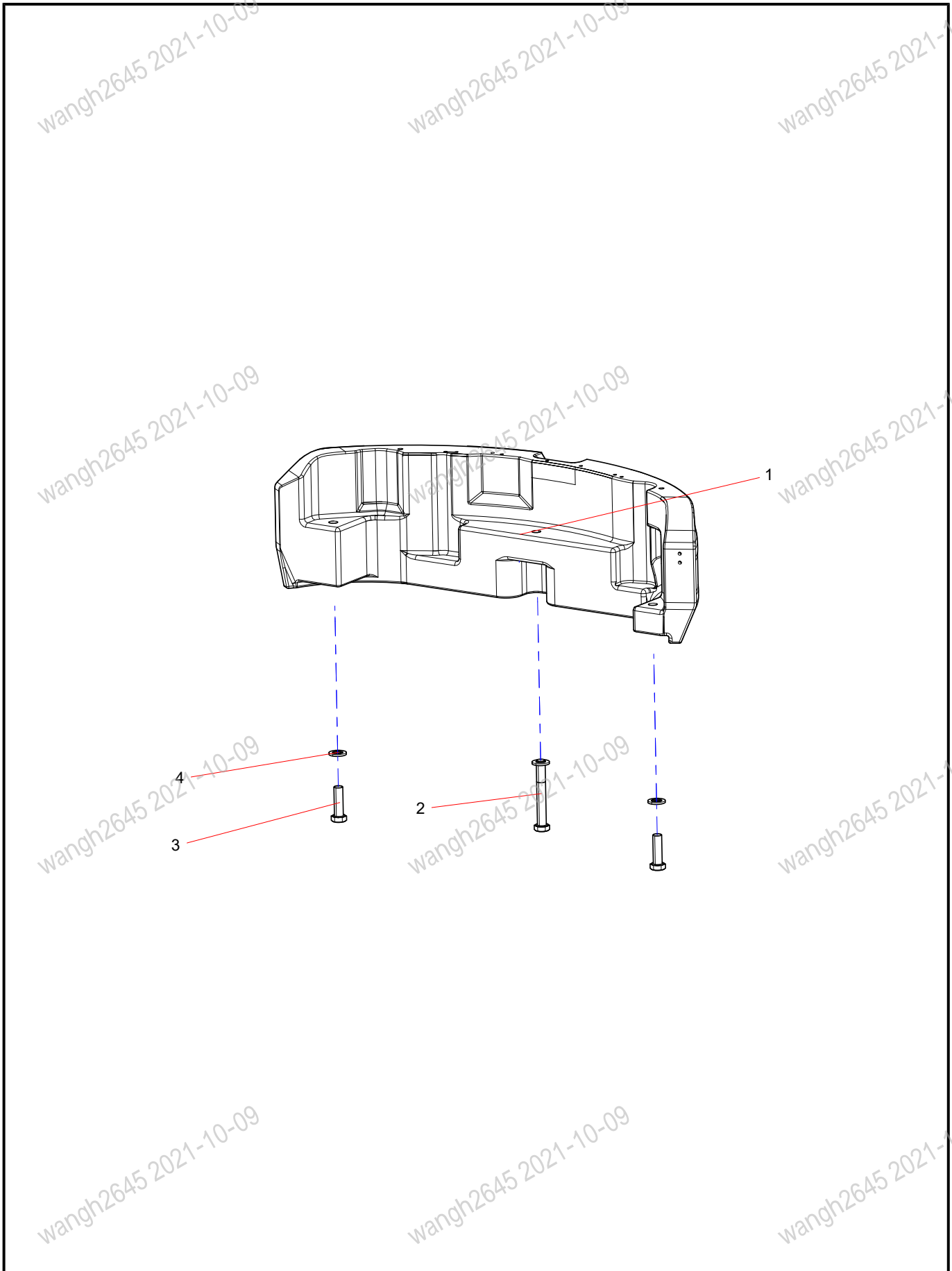
SY35C5Y3WU(GB)

INDEX	PART NO.	DESCRIPTION	QTY	SEE PAGE
1	13112177	sealing board	1	
2	13112243	sealing board	1	
3	13112250	sealing board	1	
4	13112255	sealing board	1	
5	60060546	Washer	11	
6	A210111000012	Bolt	11	

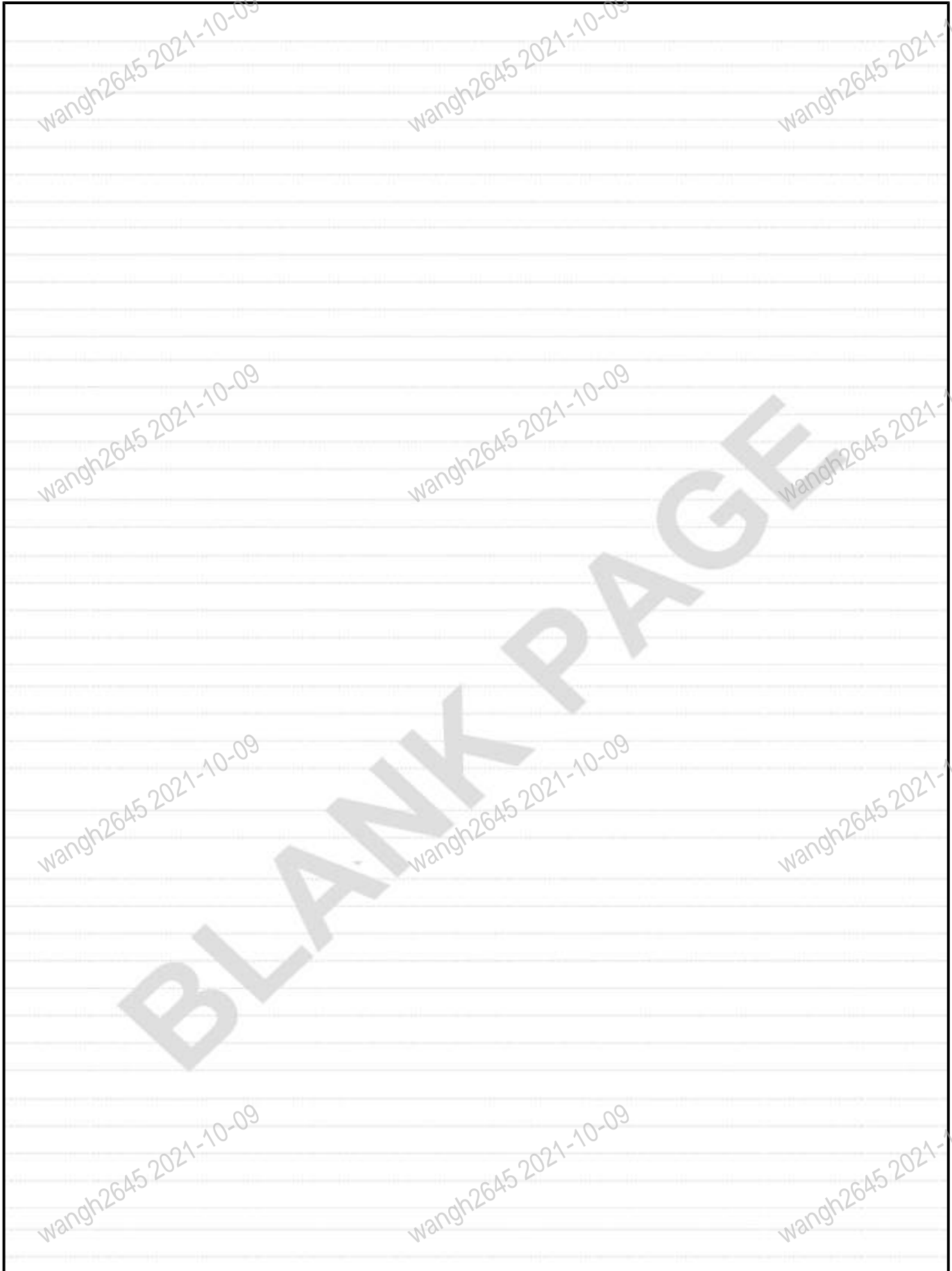


Group 8

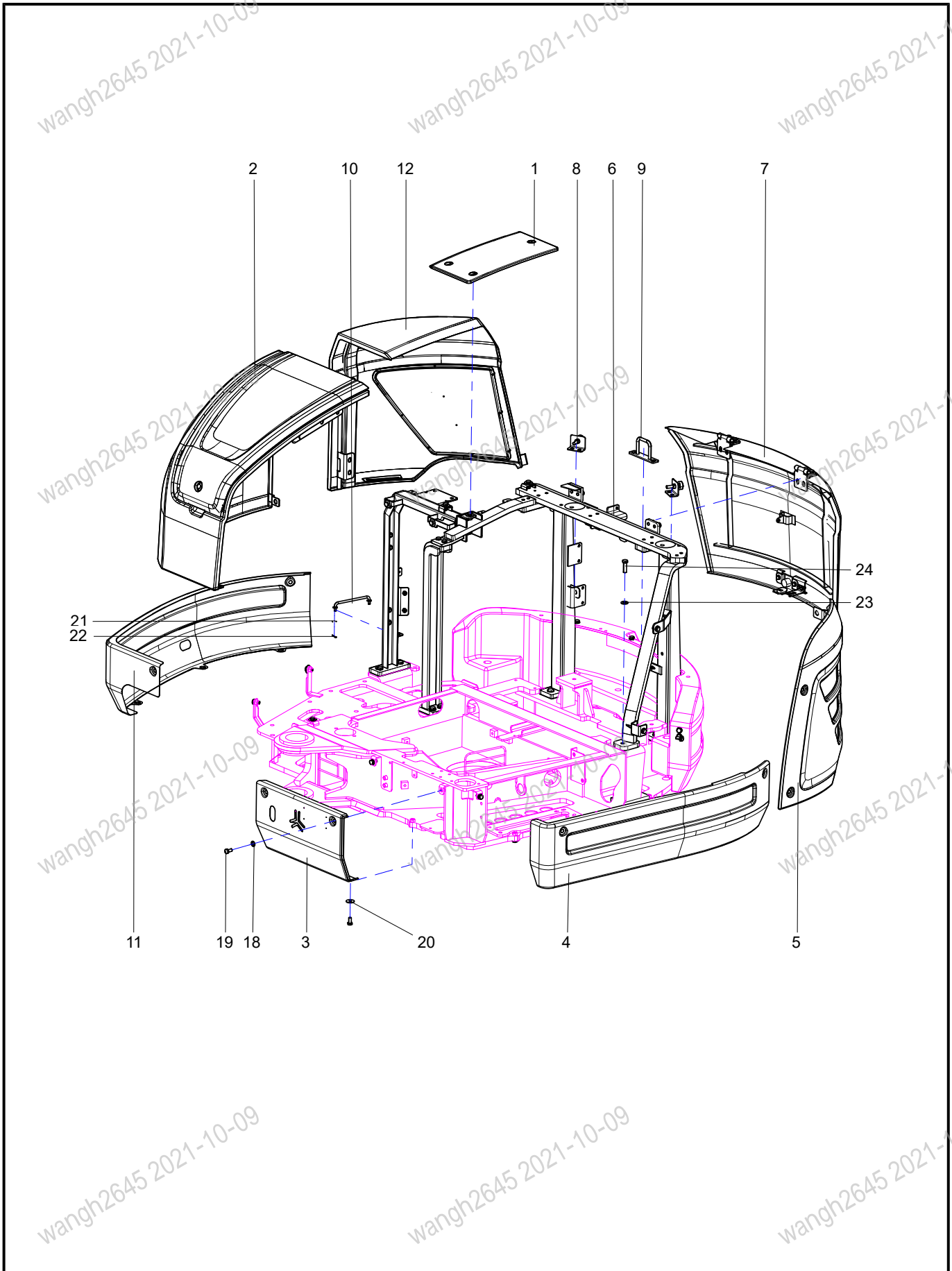
counterweight assembly



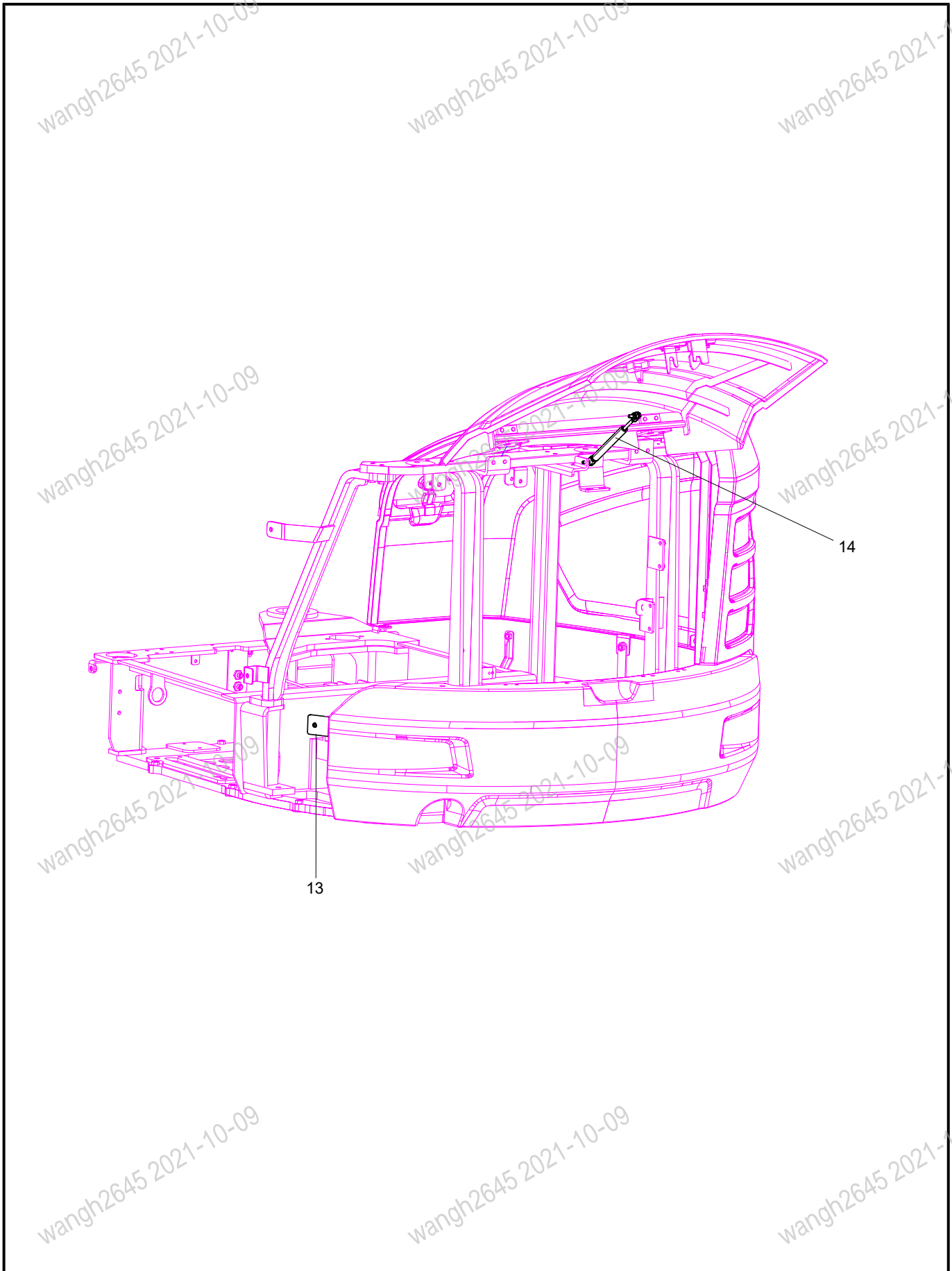
INDEX	PART NO.	DESCRIPTION	QTY	SEE PAGE
1	13057241	counterweight	1	
2	A210110000330	Bolt	1	
3	A210111000321	Bolt	2	
4	A210491000122	Washer	3	



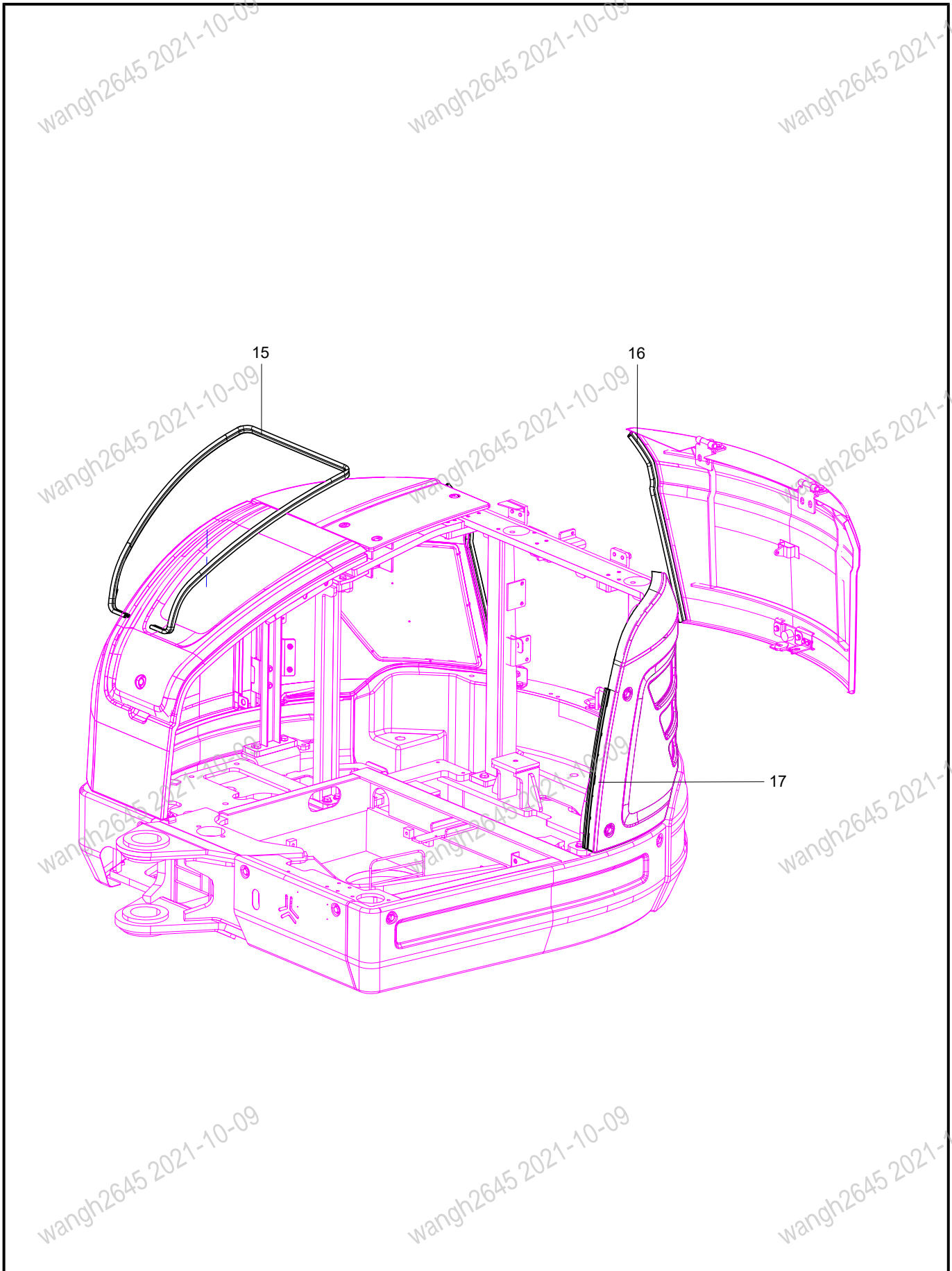
Group 9
covering parts



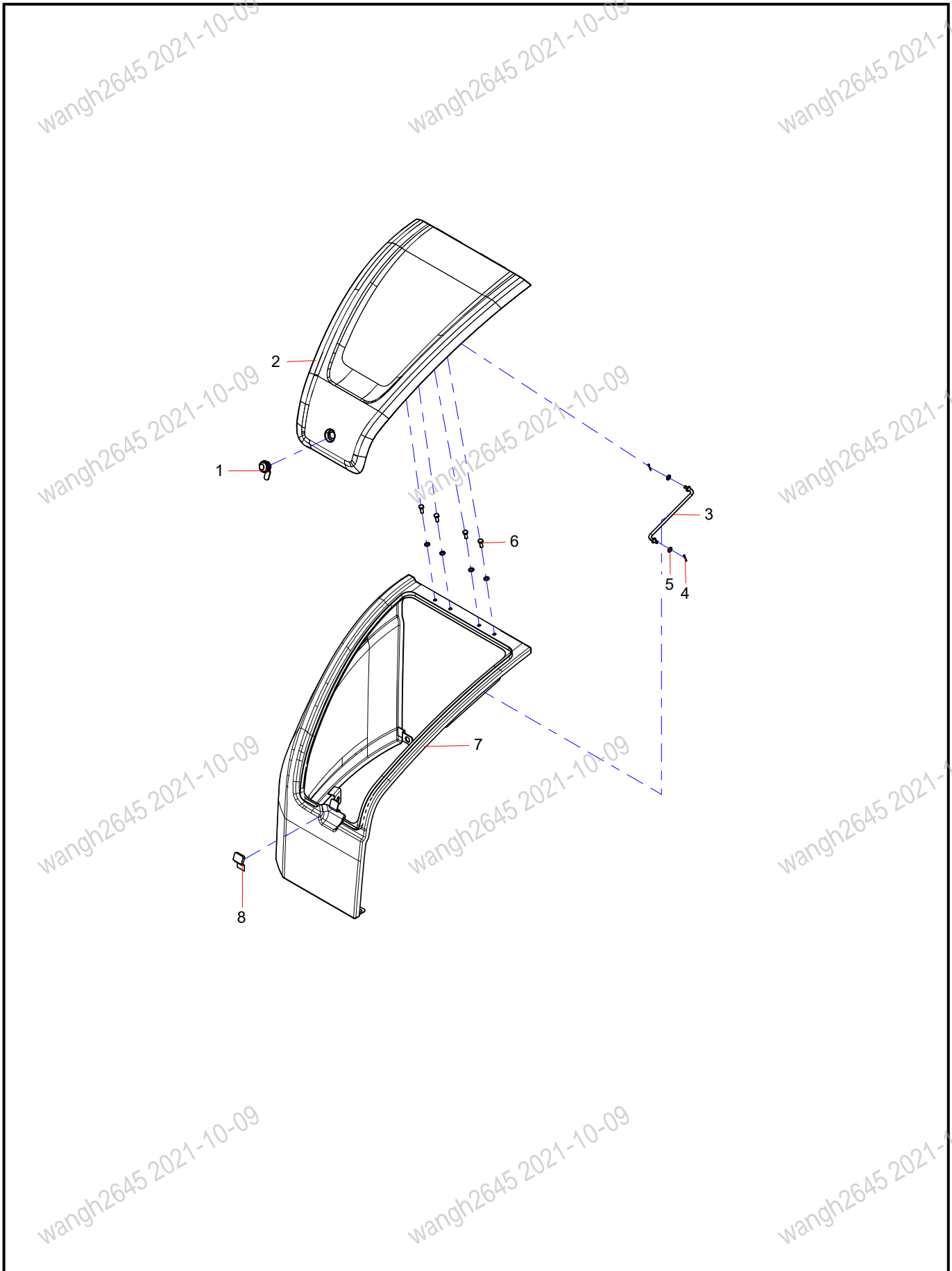
INDEX	PART NO.	DESCRIPTION	QTY	SEE PAGE
1	13088548	uppercover board assem.	1	
2	13088507	general assembly of front engine hood	1	9-8
3	13088591	left front side beam wrapping	1	
4	13088593	left side beam wrapping	1	
5	14093926	general assembly of left door	1	9-10
6	14506452	bracket assem.	1	9-12
7	13088478	general assembly of rear hood	1	9-14
8	13088595	limit board assem.	2	
9	13088551	lock	1	
10	13088544	limit wind hook	1	
11	13088592	right side beam wrapping	1	
12	13088446	general assembly of right door	1	9-16
18	24000637	Washer	21	
19	A210111000012	Bolt	42	
20	60060546	Washer	21	
21	24000633	Washer	2	
22	A210491000007	Pin	2	
23	A210491000121	Washer	9	
24	A210111000204	Bolt	9	



INDEX	PART NO.	DESCRIPTION	QTY	SEE PAGE
13	13078809	supporting frame	1	
14	60078540	Rear hood gas spring	1	

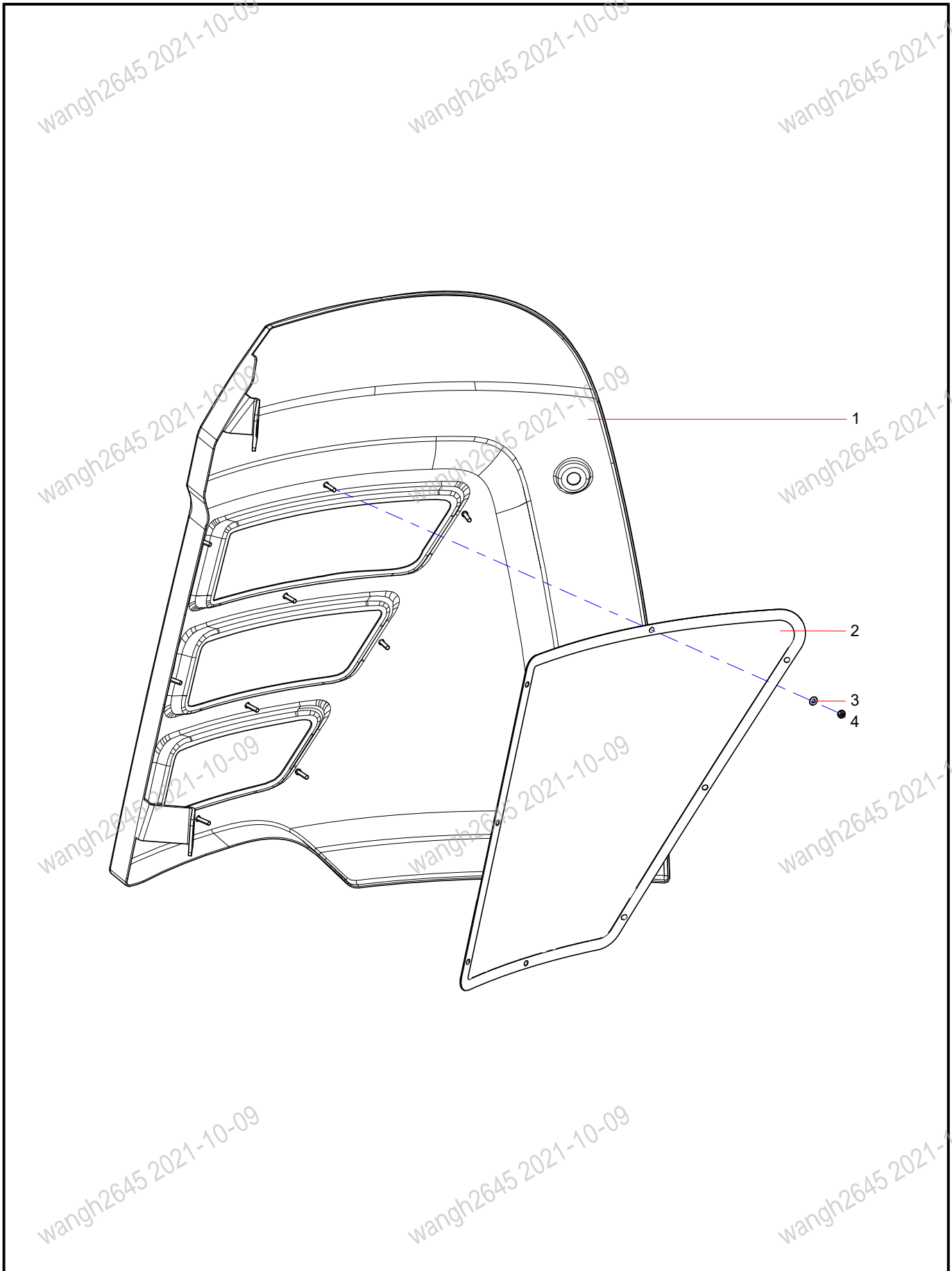


INDEX	PART NO.	DESCRIPTION	QTY	SEE PAGE
15	13088505	rubber strip	1	
16	13088476	right rubber strip	2	
17	13327020	sealing strip	2	



INDEX	PART NO.	DESCRIPTION	QTY	SEE PAGE
1	A222200000093	Door lock	1	
2	13088524	cover of front engine hood	1	
3	13088526	wind hook	1	
4	A210491000007	Pin	2	
5	24000633	Washer	6	
6	A210111000343	Bolt	4	
7	13088519	front engine hood	1	
8	13088506	rubber sleeve	1	

14093926 general assembly of left door

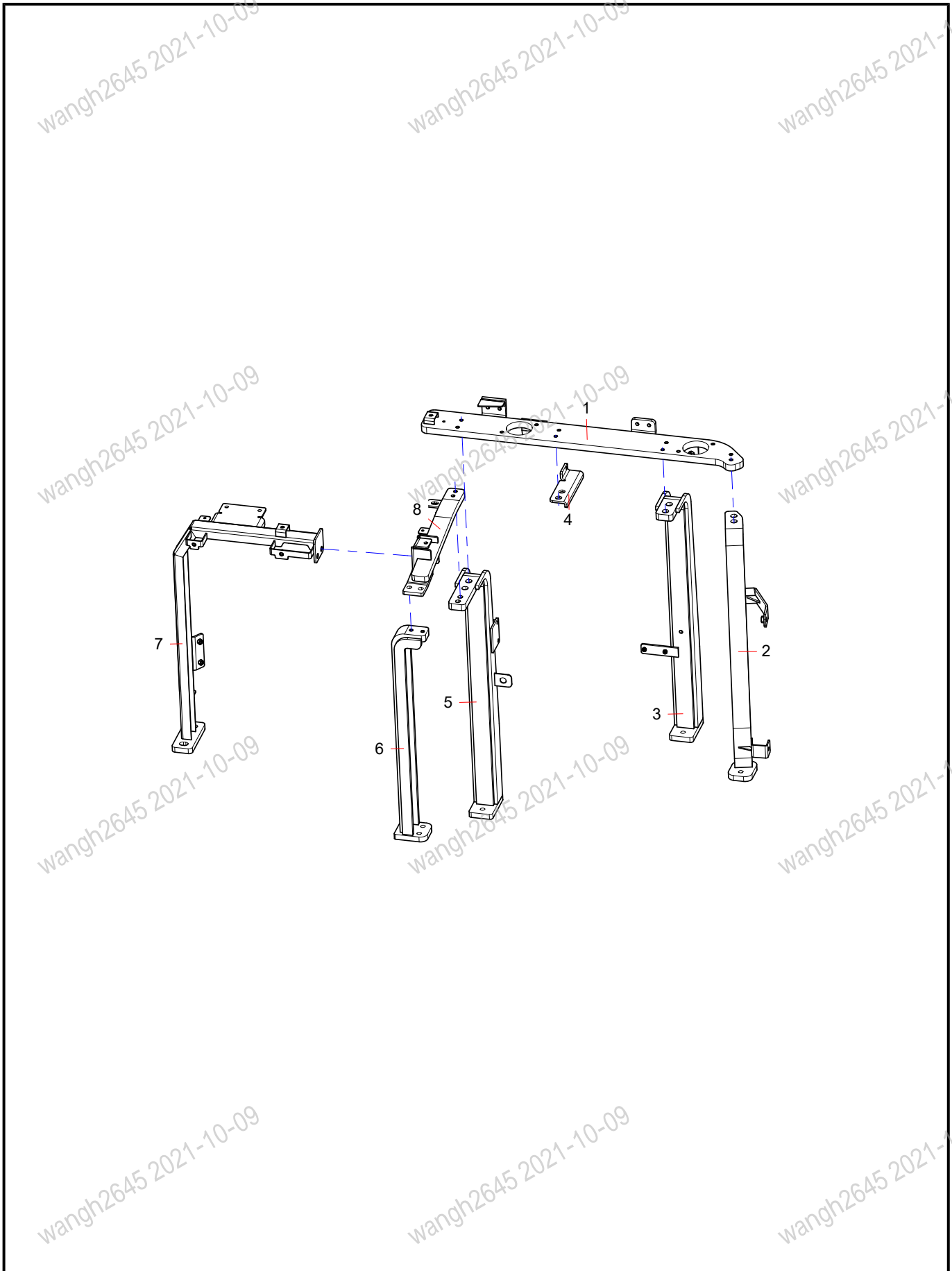


9-10 covering parts

SY35C5Y3WU(GB)

INDEX	PART NO.	DESCRIPTION	QTY	SEE PAGE
1	14093929	left door weldment	1	
2	13088423	steel lathing assem.	1	
3	A210405000004	Washer	10	
4	A210307000014	Nut	10	

14506452 bracket assem.

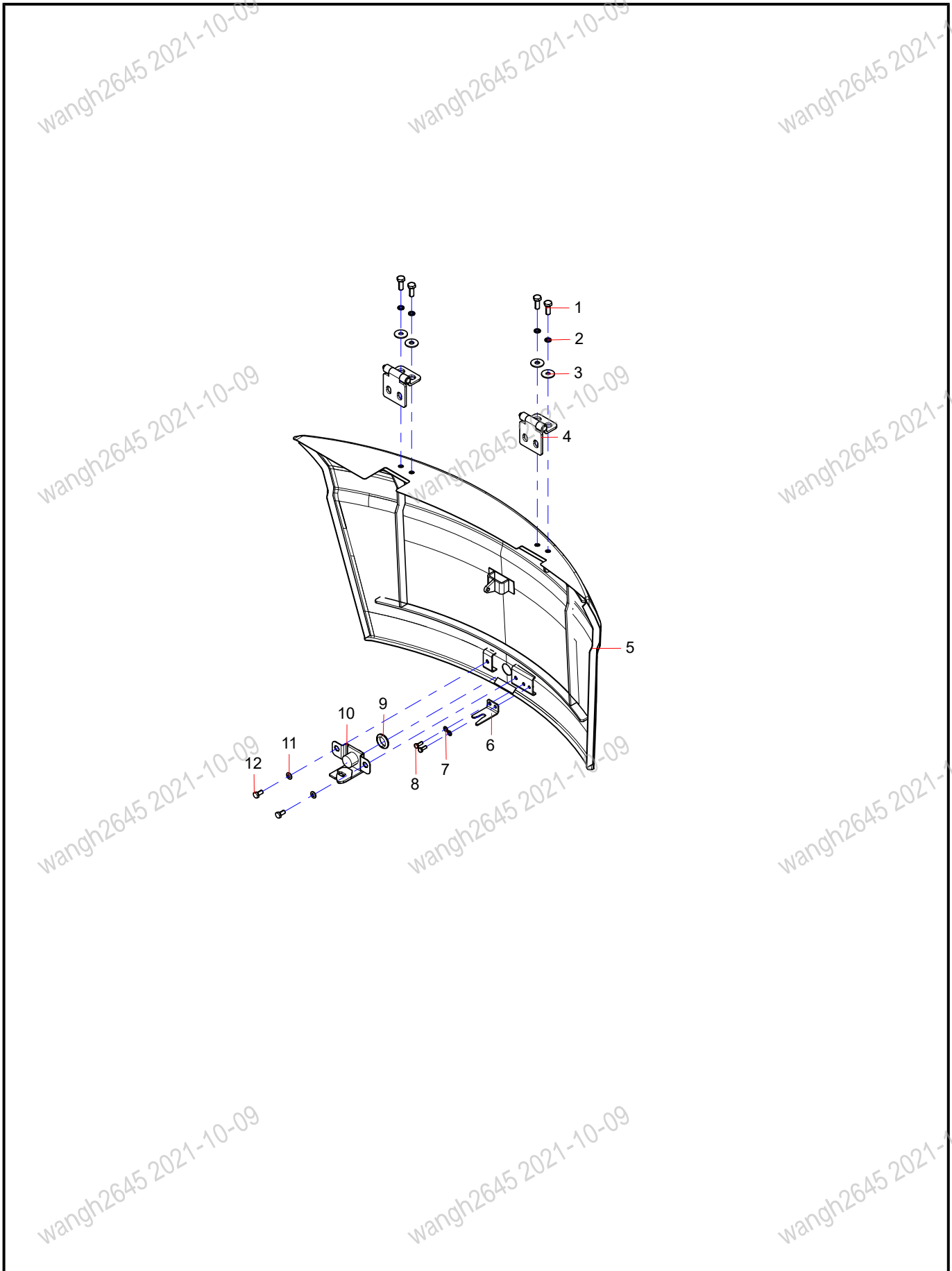


9-12 covering parts

SY35C5Y3WU(GB)

INDEX	PART NO.	DESCRIPTION	QTY	SEE PAGE
1	14093925	bridging beam component	1	
2	14506430	left-hand pillar component	1	
3	13088206	left rear pillar component	1	
4	13149221	gas spring bracket	1	
5	13088199	right rear pillar component	1	
6	13088213	right front pillar	1	
7	13088229	right-hand pillar component	1	
8	13088210	right up beam assem.	1	

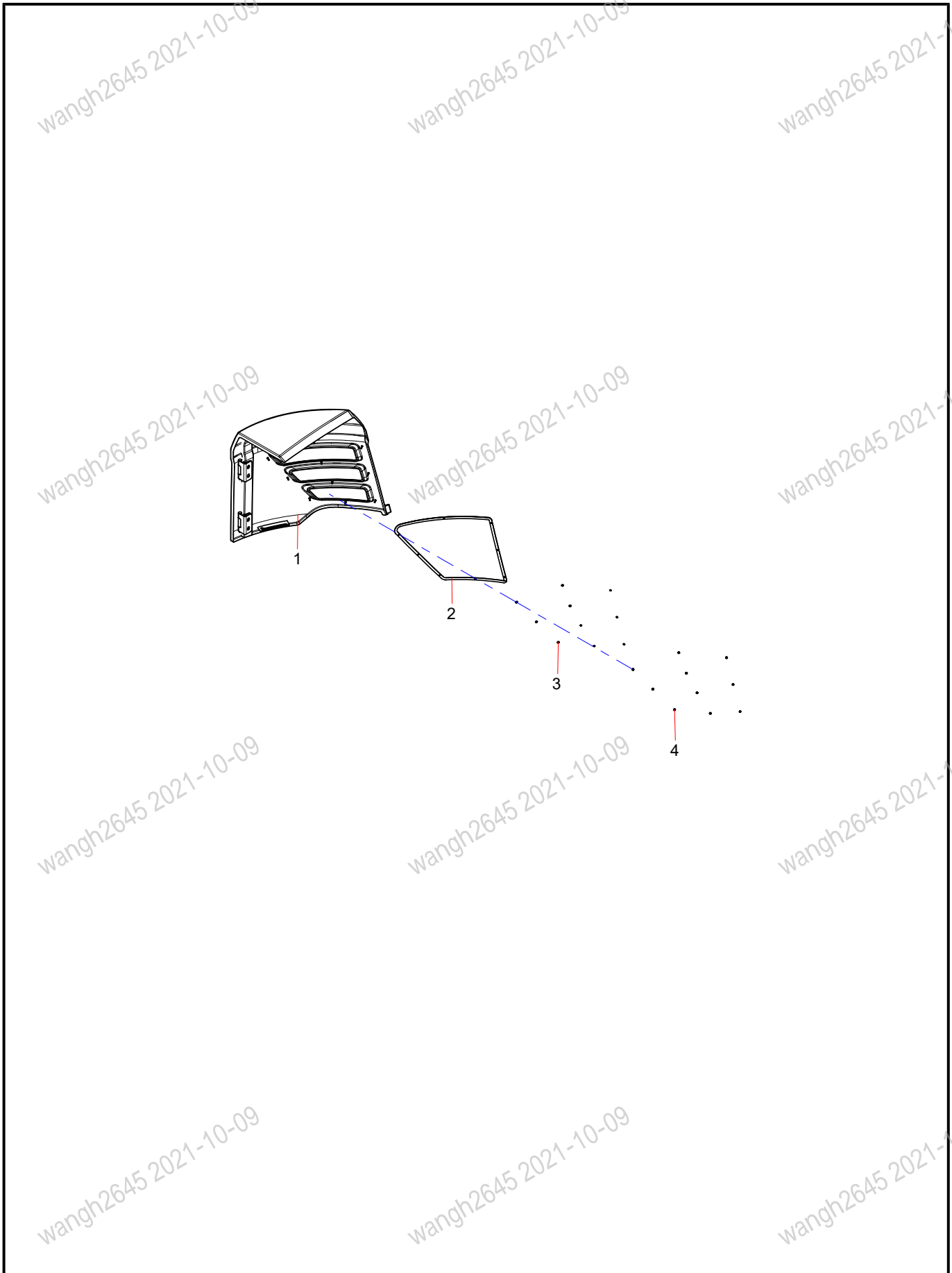
13088478 general assembly of rear hood



9-14 covering parts

SY35C5Y3WU(GB)

INDEX	PART NO.	DESCRIPTION	QTY	SEE PAGE
1	A210111000197	Bolt	4	
2	24000512	Washer	4	
3	60060546	Washer	4	
4	13145932	hinge of rear hood	2	
5	13088485	rear hood weldment	1	
6	13088477	limit mounting plate	1	
7	24000632	Washer	2	
8	A210111000079	Bolt	2	
9	13328071	Lock Sleeve	1	
10	60225215	Bonnet Lock	1	
11	24000633	Washer	2	
12	A210111000342	Bolt	2	

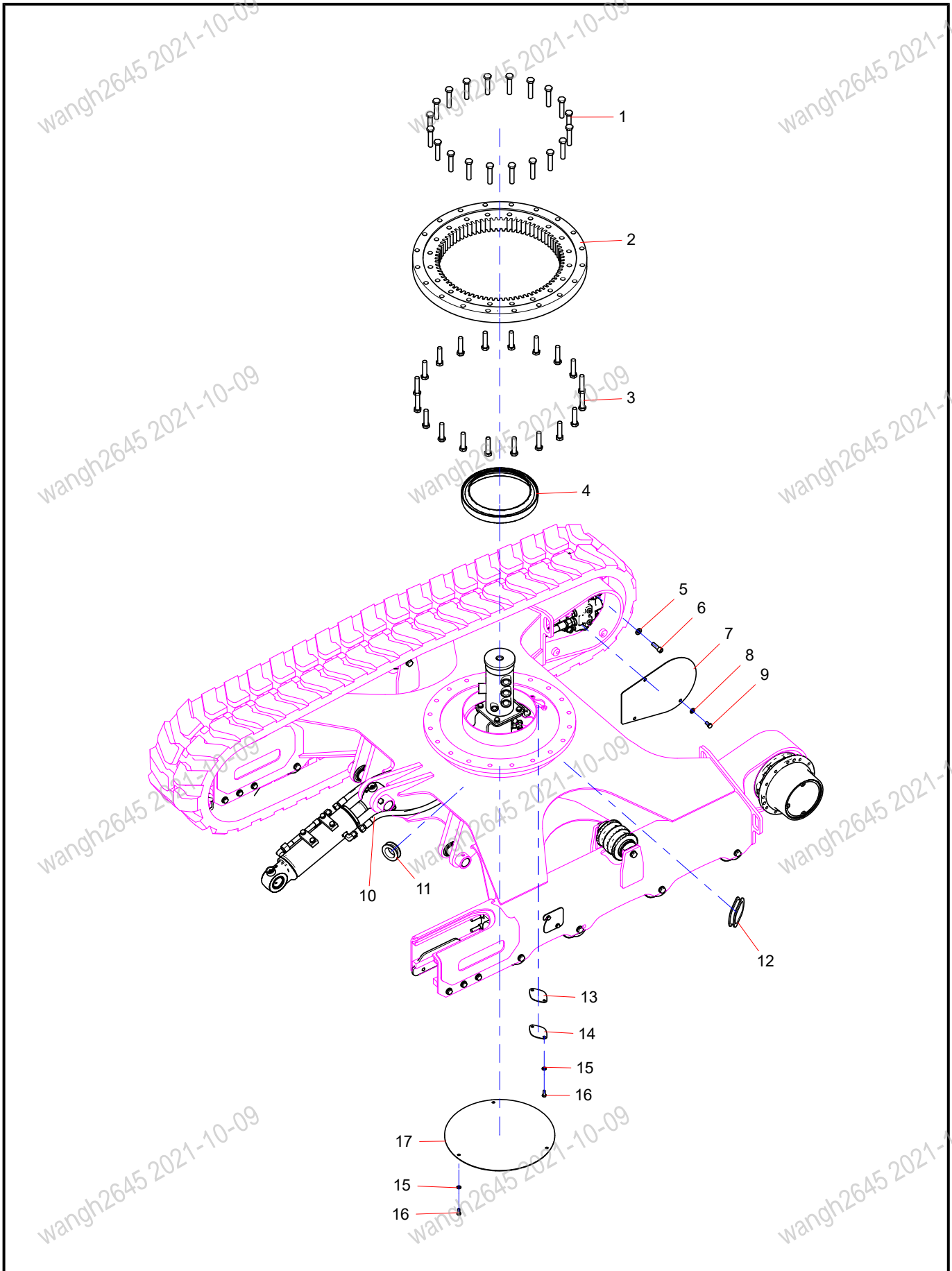


INDEX	PART NO.	DESCRIPTION	QTY	SEE PAGE
1	13088450	right door weldment	1	
2	13088457	steel lathing assem.	1	
3	A210405000004	Washer	10	
4	A210307000014	Nut	10	

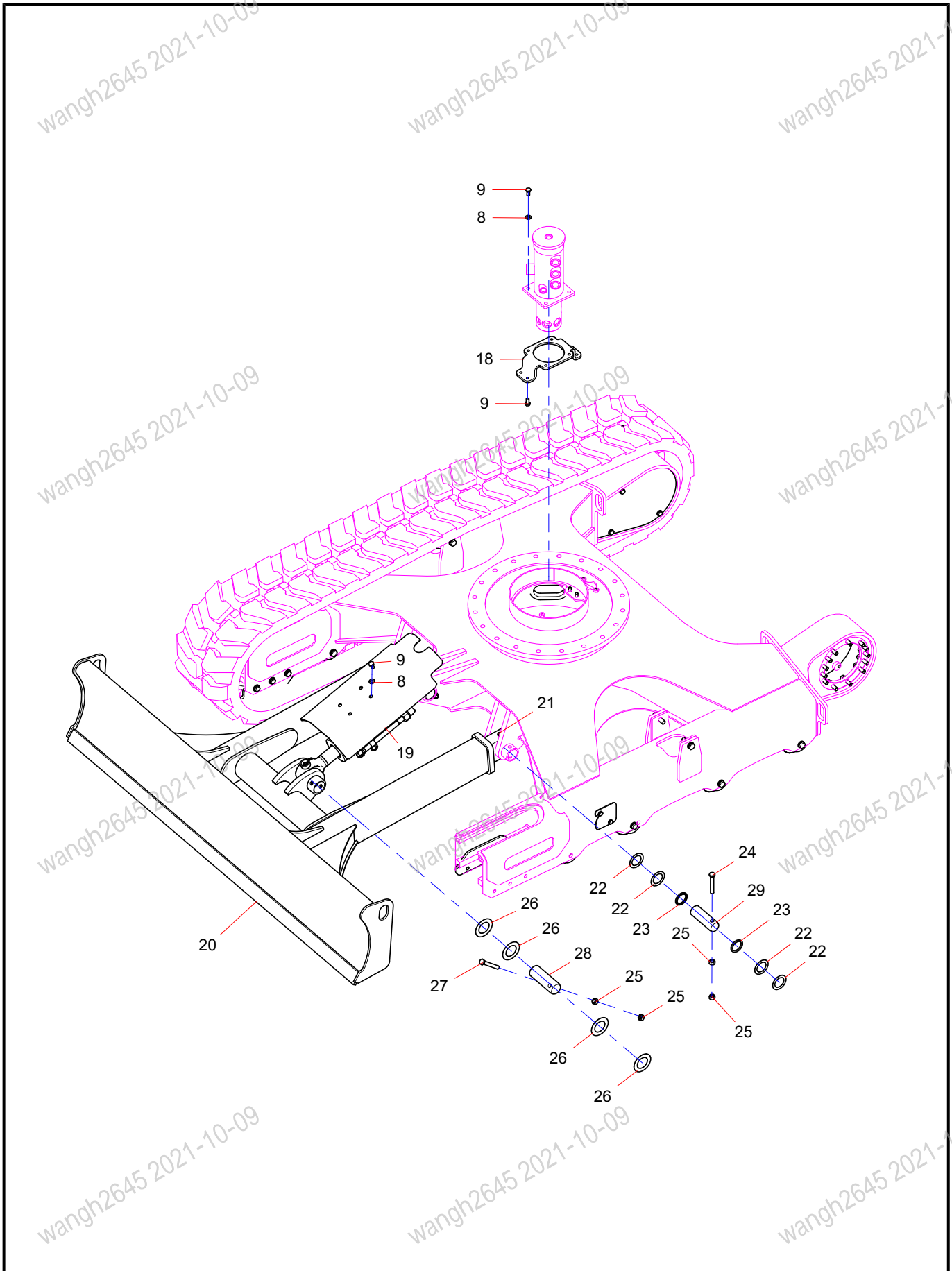


Group 10

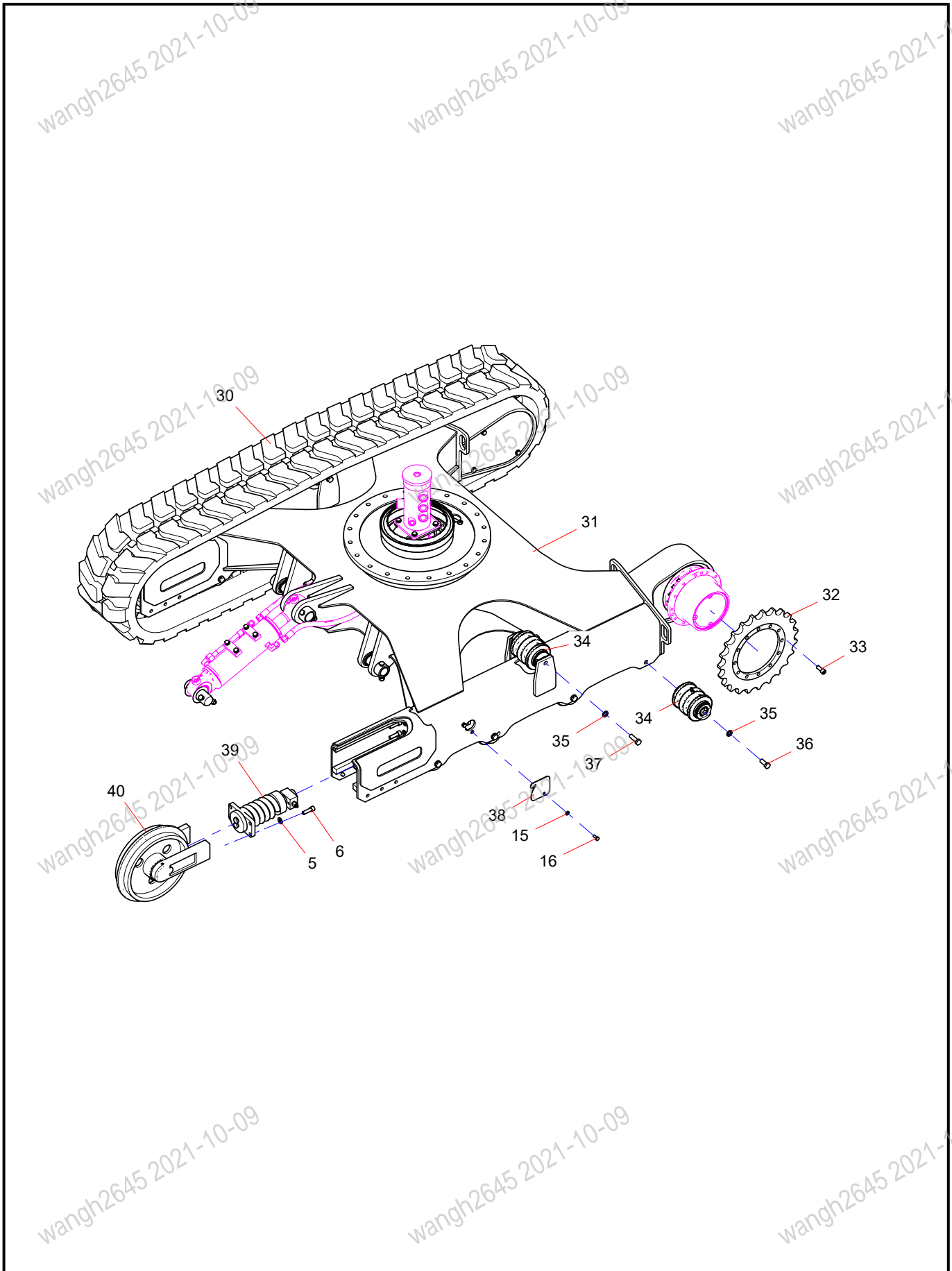
Travel device



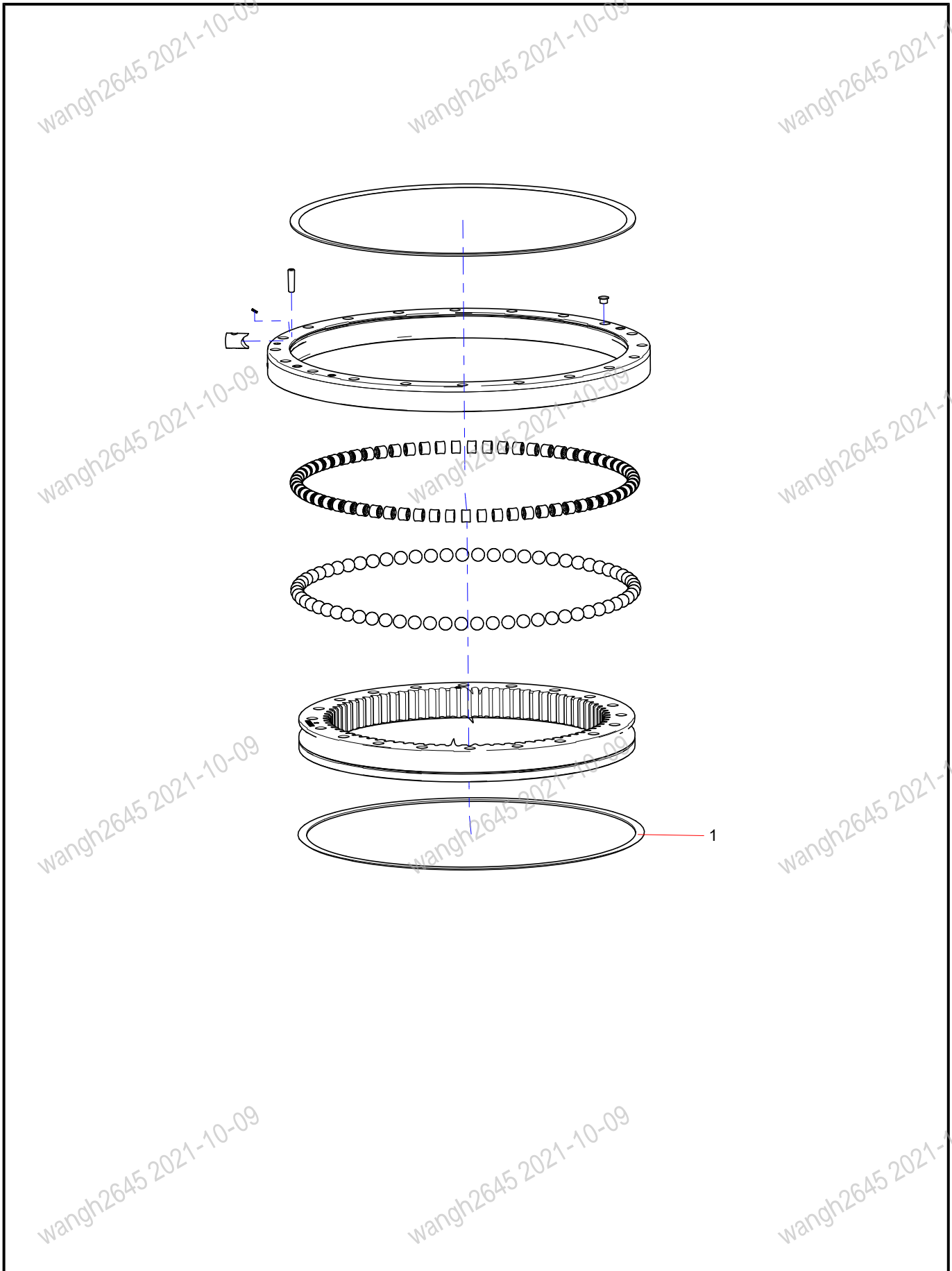
INDEX	PART NO.	DESCRIPTION	QTY	SEE PAGE
1	A210110000272	Bolt	20	
2	12900566	Slewing Bearing	1	10-8
3	A210110000281	Bolt	20	
4	13040388	butter pool seal ring	1	
5	A210491000121	Washer	46	
6	A210204000338	Screw	34	
7	13037024	Motor cover	2	
8	24000637	Washer	14	
9	A210111000012	Bolt	18	
10	13063324	undercarriage hydraulic system	1	10-10
11	11133774	Protective Sleeve	2	
12	11133805	Protective Sleeve	2	
13	13068305	Spacer	1	
14	12996227	Cover Plate	1	
15	24000633	Washer	9	
16	A210111000343	Bolt	9	
17	13040450	Bottom Cover Plate	1	



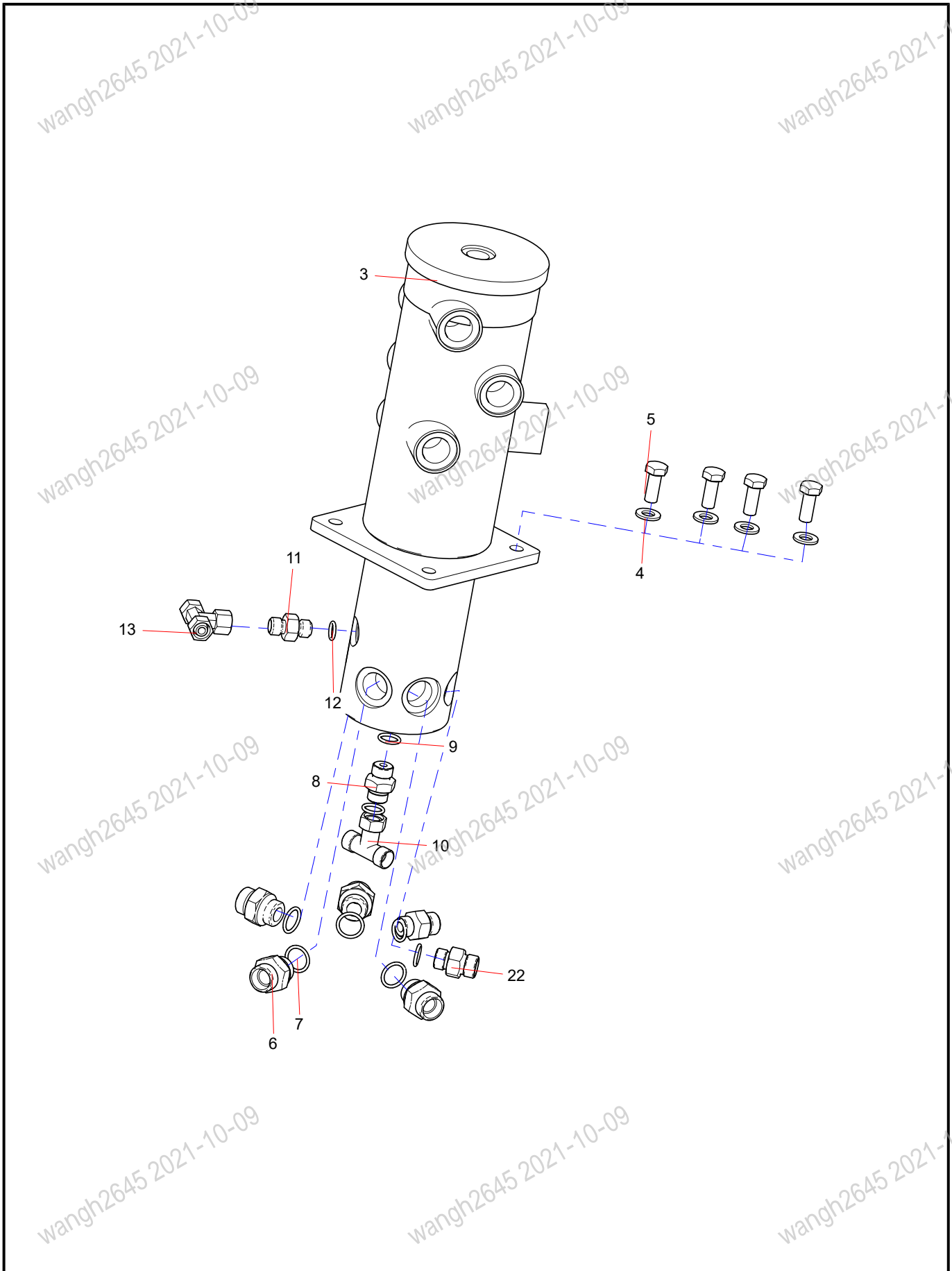
INDEX	PART NO.	DESCRIPTION	QTY	SEE PAGE
8	24000637	Washer	14	
9	A210111000012	Bolt	18	
18	13035936	Fix board	1	
19	10597771	Cover Board	1	
20	SSY004699351	Dozer Blade	1	10-28
21	A210804000002	Fitting, Grease	2	
22	13085812	Spacer	8	
23	60176725	Dust Ring	4	
24	A2101110000014	Bolt	2	
25	A210307000031	Nut	8	
26	13063804	Spacer	8	
27	A2101110000323	Bolt	2	
28	13036922	Lock Pin	2	
29	13036961	Lock Pin	2	



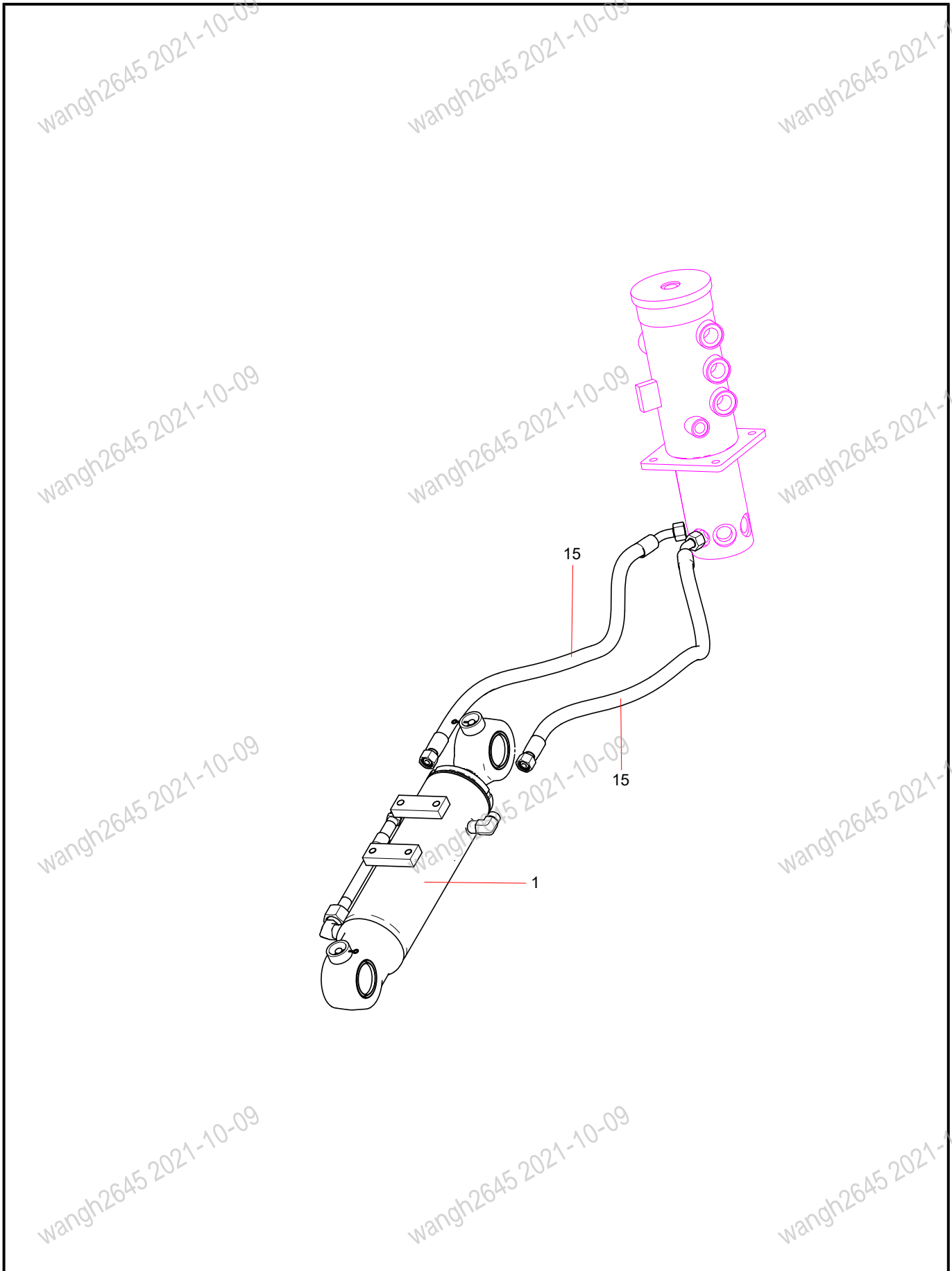
INDEX	PART NO.	DESCRIPTION	QTY	SEE PAGE
5	A210491000121	Washer	46	
6	A210204000338	Screw	34	
15	24000633	Washer	9	
16	A210111000343	Bolt	9	
30	60181277	rubber belt track	2	
31	13846937	Combination Running frame	1	
32	60181503	Driving wheel	2	
33	A210204000337	Screw	24	
34	12935633	Track Roller	10	
35	A210444000001	Washer	20	
36	A210111000442	Bolt	16	
37	A210111000209	Bolt	4	
38	14518215	Cover Plate	2	
39	60181276	Tensioner AS	2	10-30
40	60181502	Track idler	2	



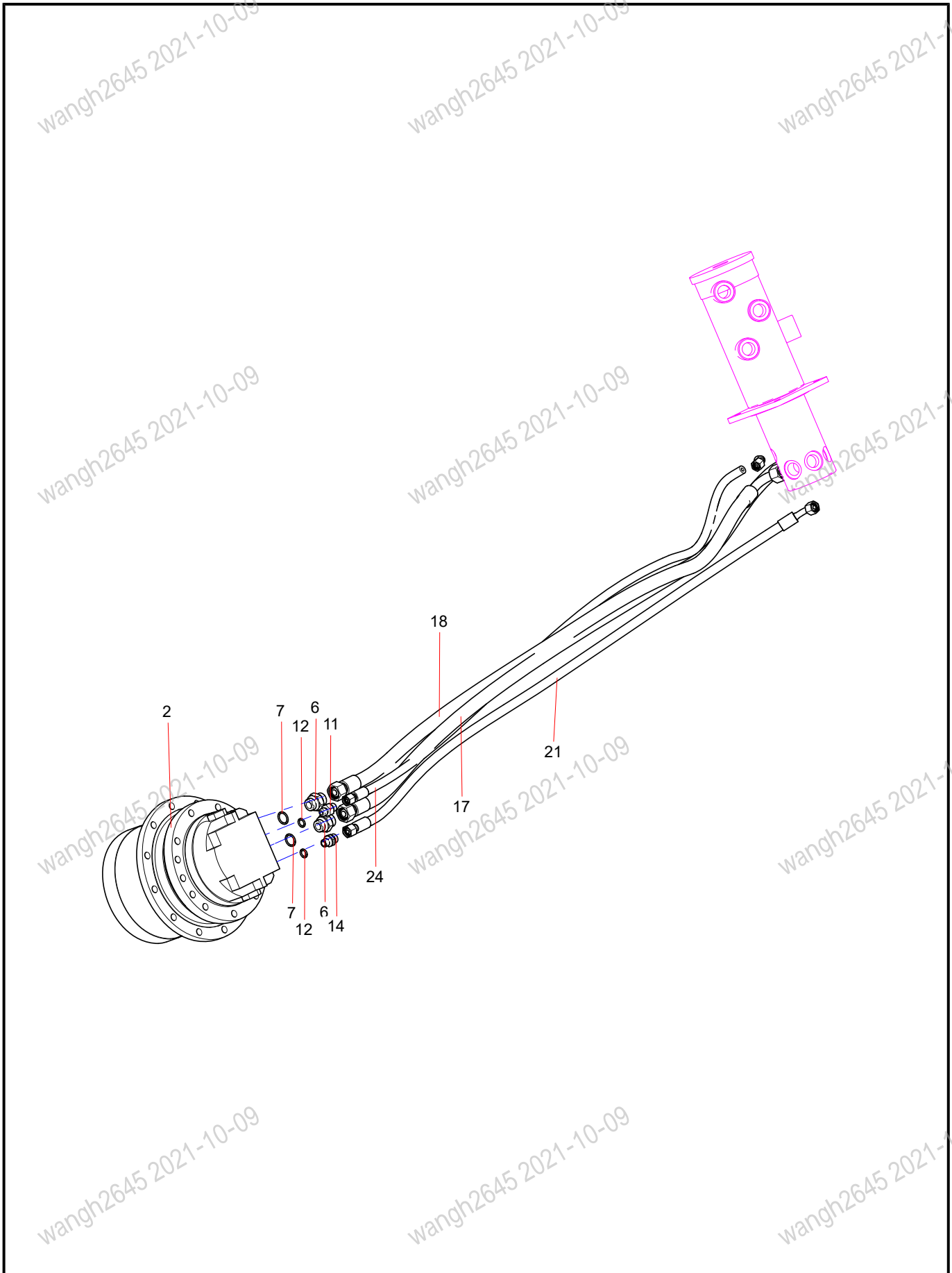
INDEX	PART NO.	DESCRIPTION	QTY	SEE PAGE
1	60205959	Angle Sealing Strip	2	



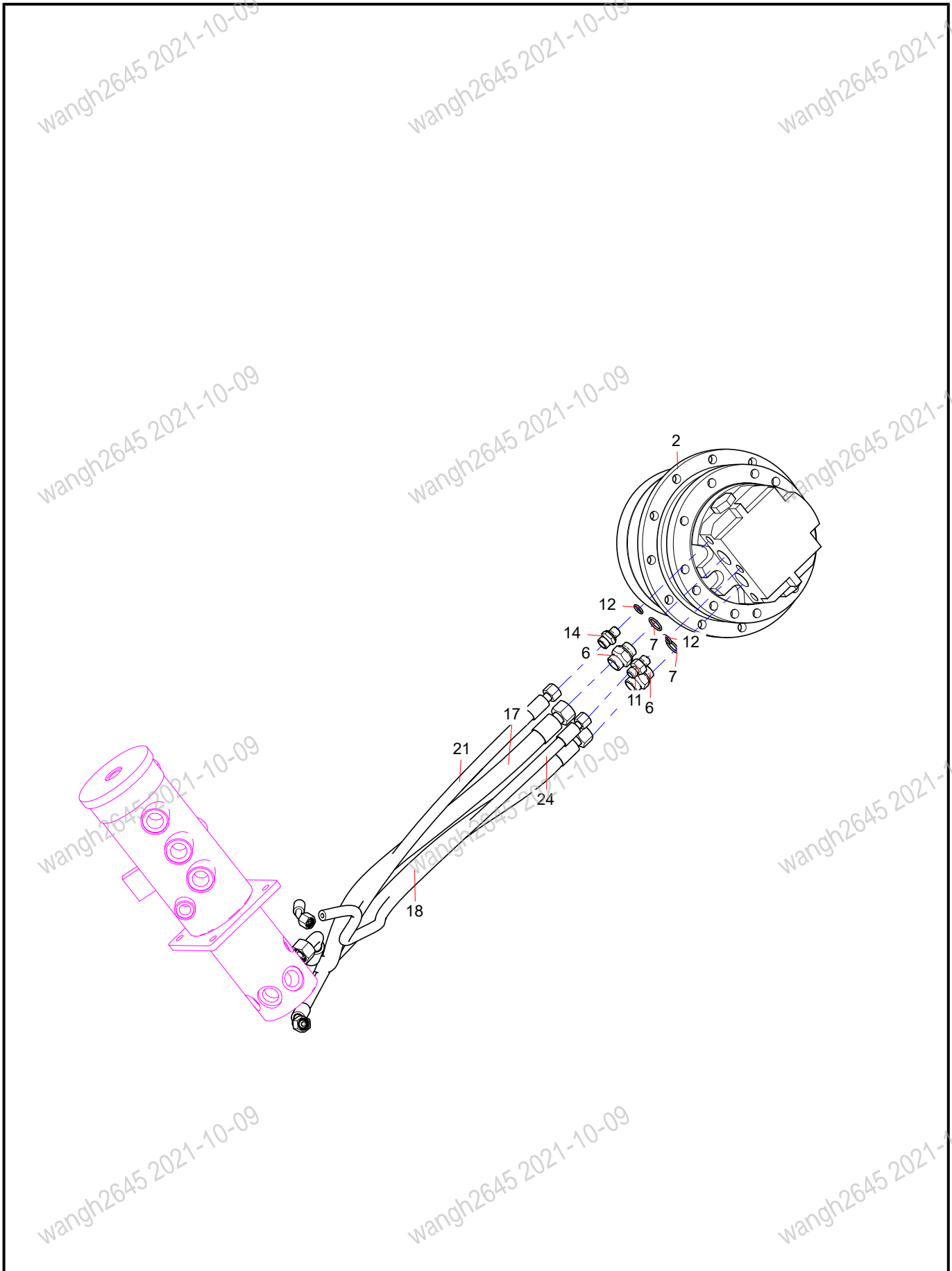
INDEX	PART NO.	DESCRIPTION	QTY	SEE PAGE
3	60167638	centerswiveljoint	1	10-26
4	24000637	Washer	4	
5	A210111000197	Bolt	4	
6	A820205002535	G1/2-M22-L35 Adaptor	8	
7	B230101000090	O-ring	8	
8	11287446	Connector	1	
9	B230101000049	O-ring	4	
10	B210780000631	Fitting, Tee	1	
11	A820205000844	Fitting	3	
12	B230101000047	O-ring	5	
13	B210780000172	Fitting	1	
22	A820205002389	G3/8-M18 Connector	2	



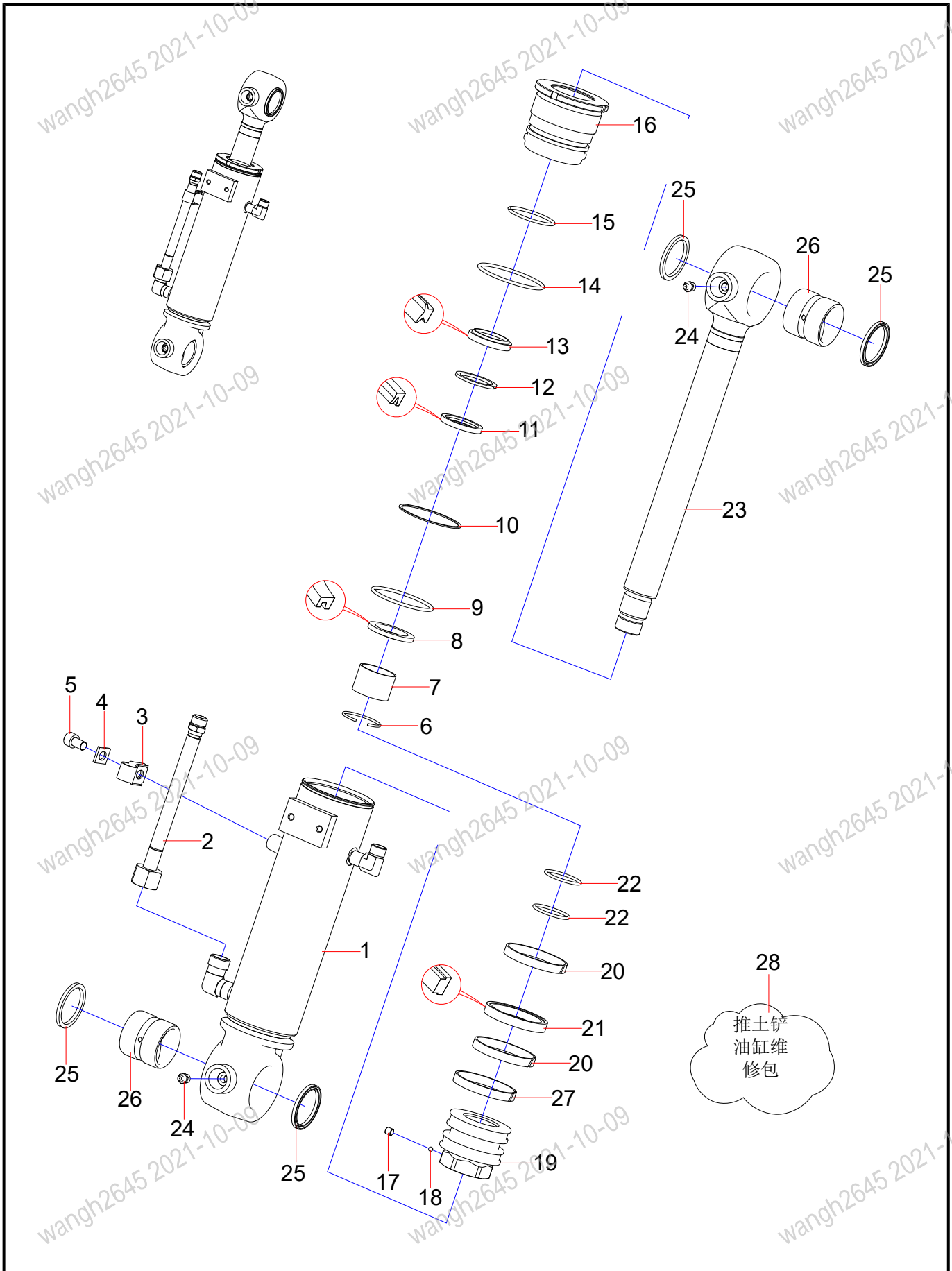
INDEX	PART NO.	DESCRIPTION	QTY	SEE PAGE
1	13239088	Cylinder, dozer	1	10-18
15	60259909	rubber hose	2	



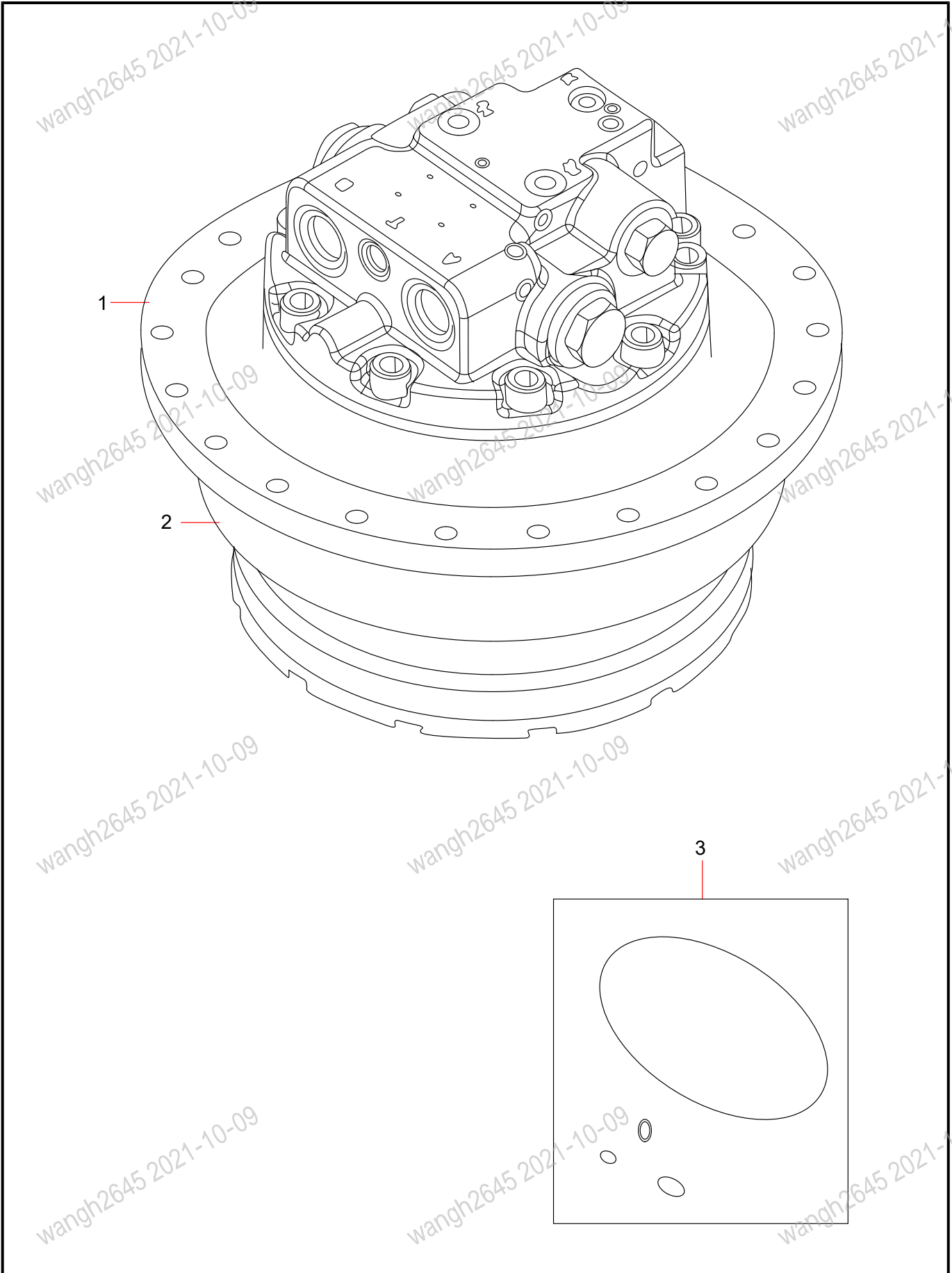
INDEX	PART NO.	DESCRIPTION	QTY	SEE PAGE
2	60167753	Reducerassembly	2	10-20
6	A820205002535	G1/2-M22-L35 Adaptor	8	
7	B230101000090	O-ring	8	
11	A820205000844	Fitting	3	
12	B230101000047	O-ring	5	
14	A820205002445	Connector	2	
17	60243800	Rubber Hose	2	
18	B230103000158	Rubber hose	2	
21	60240244	Rubber Hose	2	
24	60240243	rubber hose	2	



INDEX	PART NO.	DESCRIPTION	QTY	SEE PAGE
2	60167753	Reducerassembly	2	10-20
6	A820205002535	G1/2-M22-L35 Adaptor	8	
7	B230101000090	O-ring	8	
11	A820205000844	Fitting	3	
12	B230101000047	O-ring	5	
14	A820205002445	Connector	2	
17	60243800	Rubber Hose	2	
18	B230103000158	Rubber hose	2	
21	60240244	Rubber Hose	2	
24	60240243	rubber hose	2	

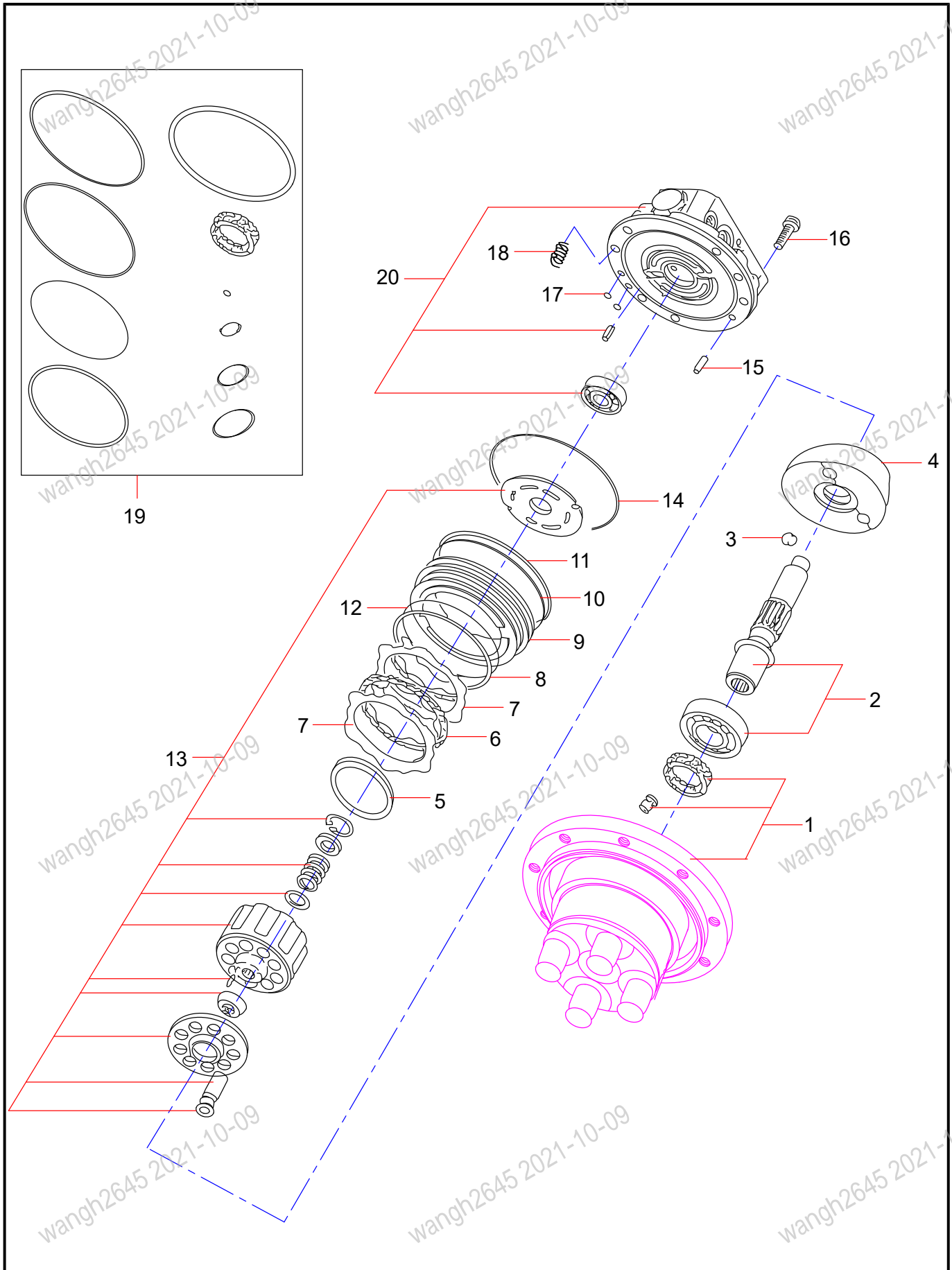


INDEX	PART NO.	DESCRIPTION	QTY	SEE PAGE
1	13239092	Cylinder Assem.	1	
2	13239097	Oil tube component II	1	
3	13046617	Pipe Clamp	1	
4	13039393	Washer	1	
5	A210204000196	Screw	1	
6	60183946	Retaining Ring	1	
7	60180960	Bushing	1	
8	60176730	Seal Ring	1	
9	B230101000709	O-ring	1	
10	B229900001470	Retainer Ring	1	
11	60176732	Seal Ring	1	
12	60180968	Ring Retaining	1	
13	60176723	Dust Ring	1	
14	A210609000082	Ring	1	
15	A210417000107	Retainer Ring	1	
16	13239086	Guide Sleeve	1	
17	A210206000004	Screw	1	
18	A210661000016	Steel Ball	1	
19	13047574	Piston	1	
20	B230101001878	Guide Ring	2	
21	60184746	Seal Ring	1	
22	B230101000580	O-ring	2	
23	13239091	Piston Rod	1	
24	A229900010158	Oil Cup	2	
25	60176726	Dust Ring	4	
26	13239087	Bush	1	
27	60192119	Anti-Pollution Loop	1	
28	60248046	Cylinder Repair Kit	1	

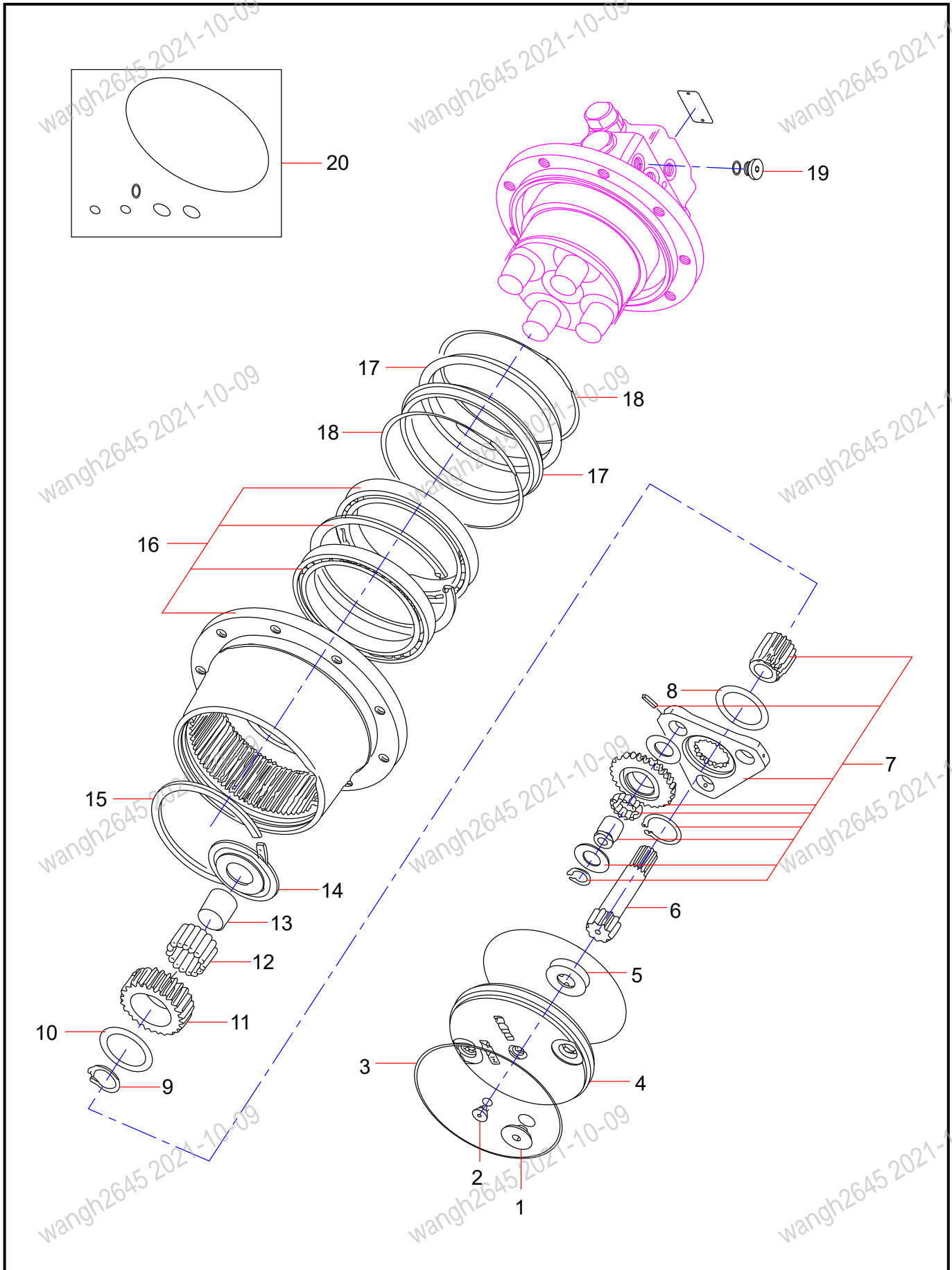


INDEX	PART NO.	DESCRIPTION	QTY	SEE PAGE
1	60257715	HYDRAULIC MOTOR	1	10-22
2	60258142	Reducer components	1	10-24
3	60248044	Running Reducer assembly Repair kit	1	

60257715 HYDRAULIC MOTOR

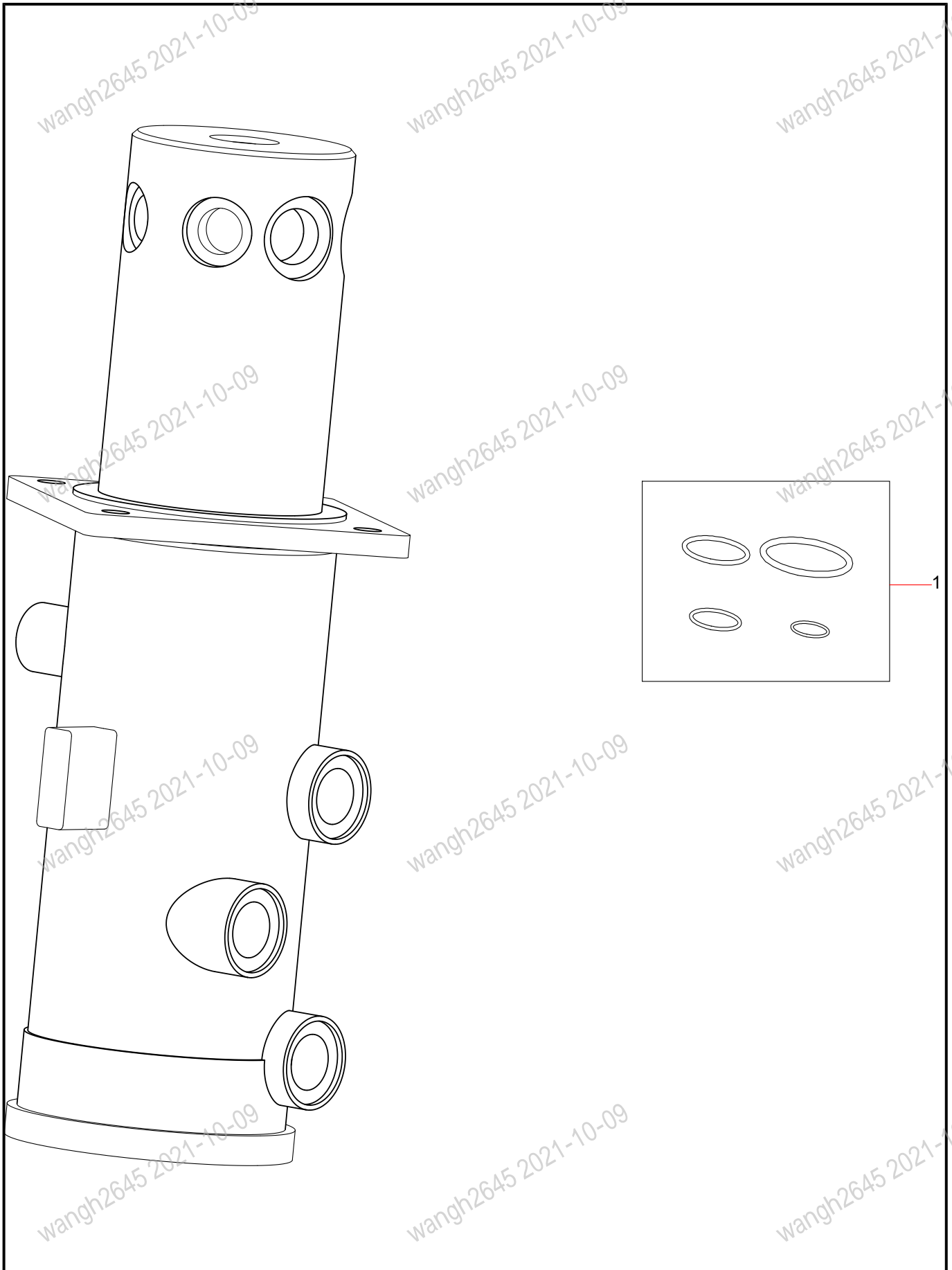


INDEX	PART NO.	DESCRIPTION	QTY	SEE PAGE
1	60257770	BODY 2 SUB ASSY	1	
2	60259580	Shaft Sub ASSY	1	
3	60164159	Ball	2	
4	60257729	SWASH PLATE	1	
5	60257743	Barake Spacer	1	
6	60257740	Disk Plate	1	
7	60257741	Steel Plate	2	
8	60257748	Back up Ring	1	
9	60257742	Barake Piston	1	
10	60257745	O-ring	1	
11	60257747	Back up Ring	1	
12	60257746	O-ring	1	
13	60259581	Cylinder Barrel Sub ASSY	1	
14	60164378	O-ring	1	
15	60257739	PIN	1	
16	60164376	Screw	7	
17	60091798	O-Ring	2	
18	60257744	Spring B	10	
19	60257771	SEAL KIT	1	
20	60257769	BODY 1 SUB ASSY	1	



INDEX	PART NO.	DESCRIPTION	QTY	SEE PAGE
1	60164261	Plug	2	
2	60164263	Plug	1	
3	60257700	O SNAP RING	1	
4	60257692	COVER	1	
5	60257702	SLIDE RING	1	
6	60257697	S2 GEAR	1	
7	60257720	CARRIER 2 SUB ASSEMBLY	1	
8	60257701	THRUST COLLAR	1	
9	60257712	SNAP RING	7	
10	60257718	TRUST WASHER	4	
11	60257694	B1 GEAR	4	
12	60257706	NEEDLE	96	
13	60257698	RING	4	
14	60257717	TRUST WASHER	4	
15	60257709	SNAP RING	1	
16	60257719	BODY SUB ASSEMBLY	1	
17	60257703	Floating seat	2	
18	60257704	O-ring	2	
19	60164262	PLUG	1	
20	60259582	SEAL KIT(REDUCTION GEAR)	1	

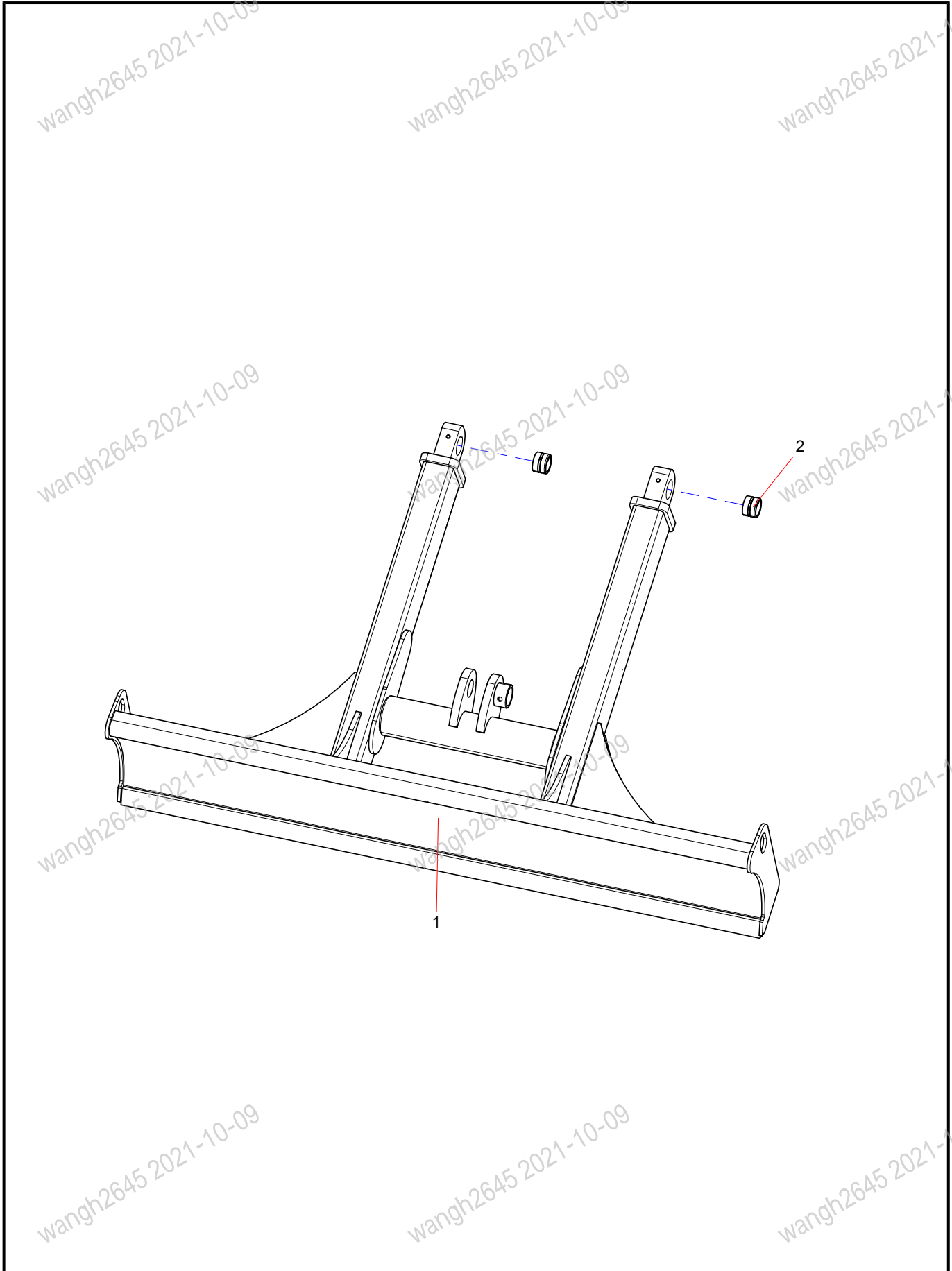
60167638 centerswiveljoint



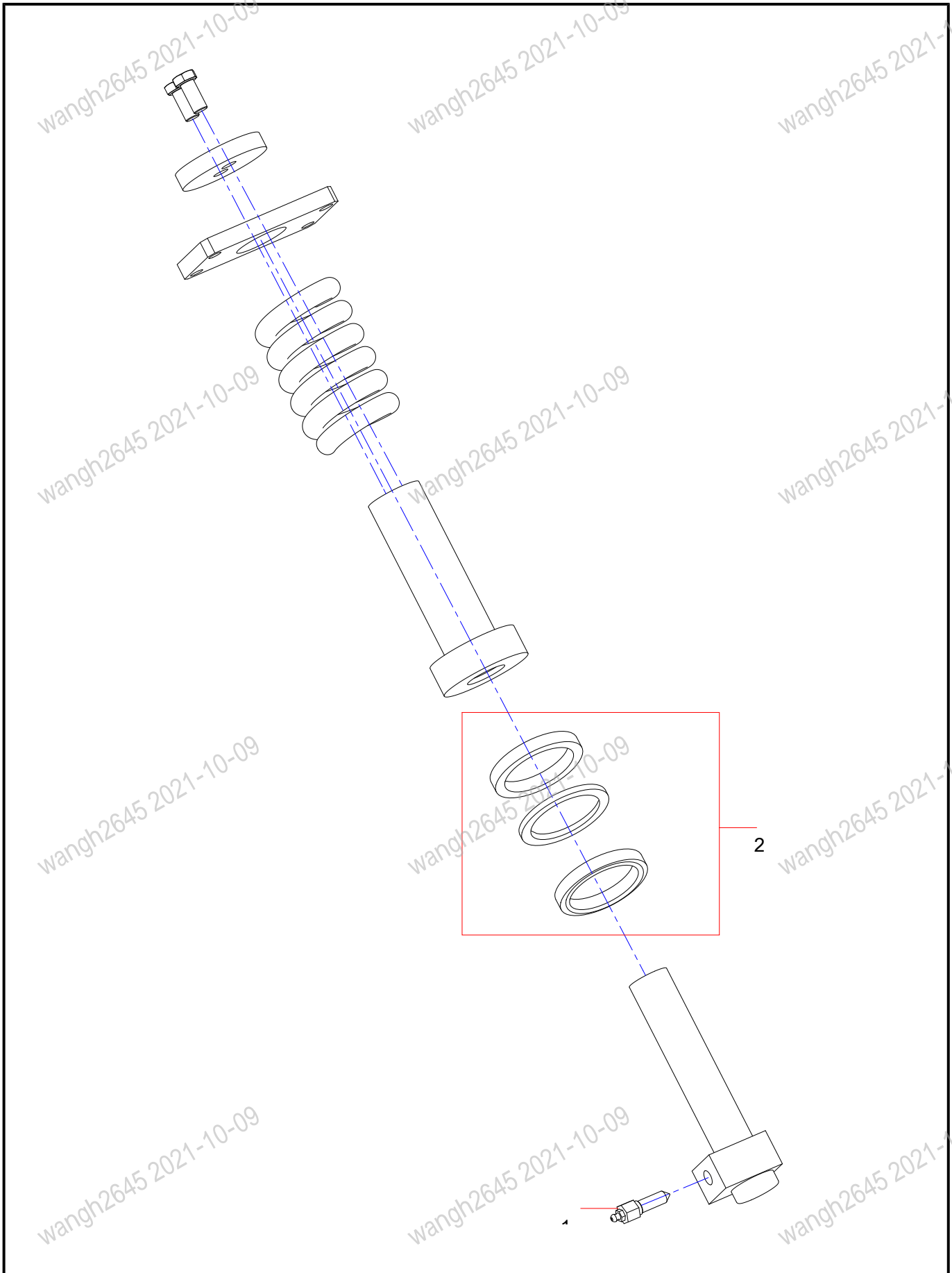
10-26 Travel device

SY35C5Y3WU(GB)

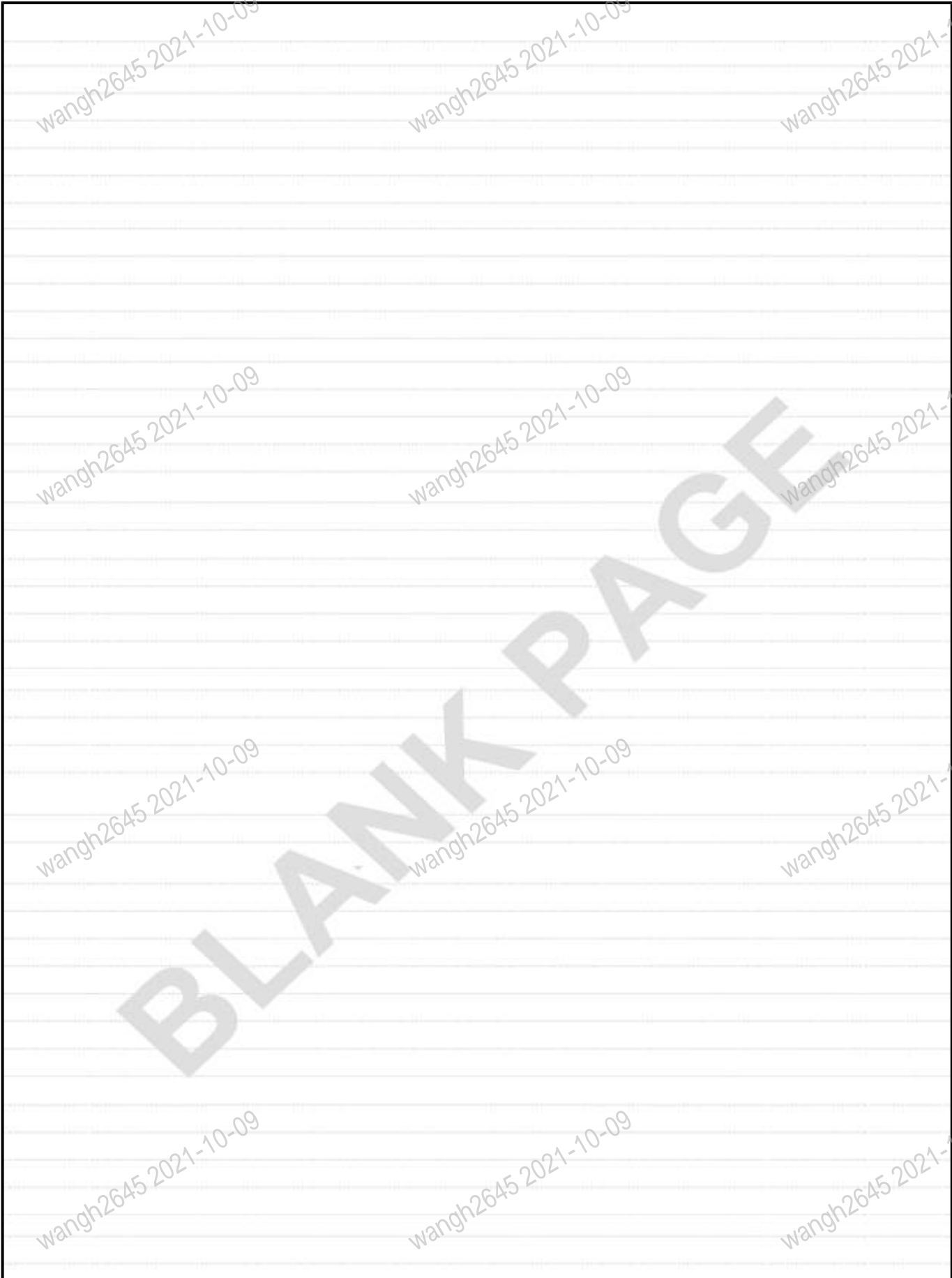
INDEX	PART NO.	DESCRIPTION	QTY	SEE PAGE
1	60244911	Swivel Joint Repair Kit	1	



INDEX	PART NO.	DESCRIPTION	QTY	SEE PAGE
1	13064631	Bulldozing shovel	1	
2	13036982	Shaft Sleeve	2	

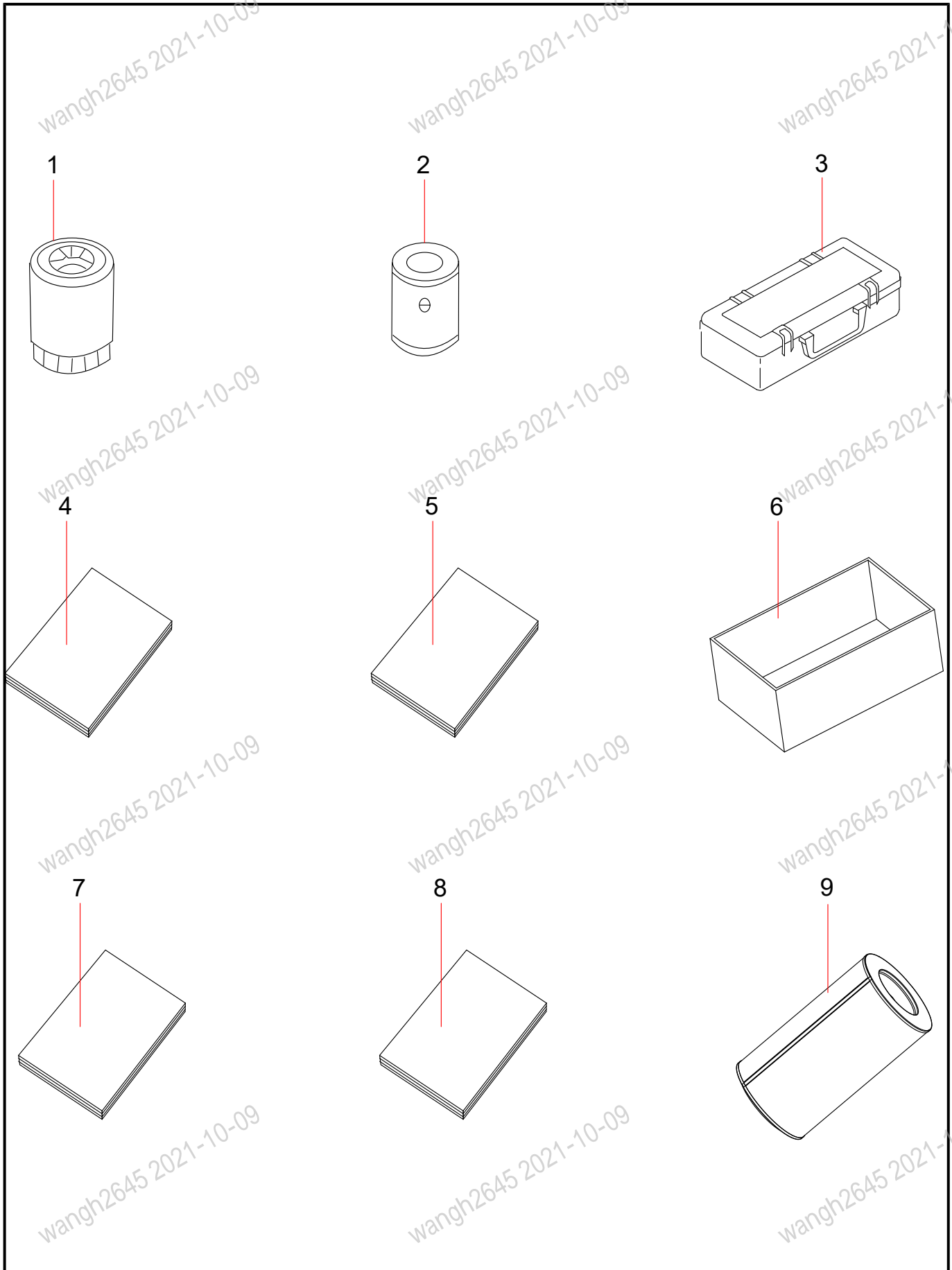


INDEX	PART NO.	DESCRIPTION	QTY	SEE PAGE
1	60248022	Refiller Valve	1	
2	60248023	Tensioning Equipment Repairing Bag	1	



Group 11

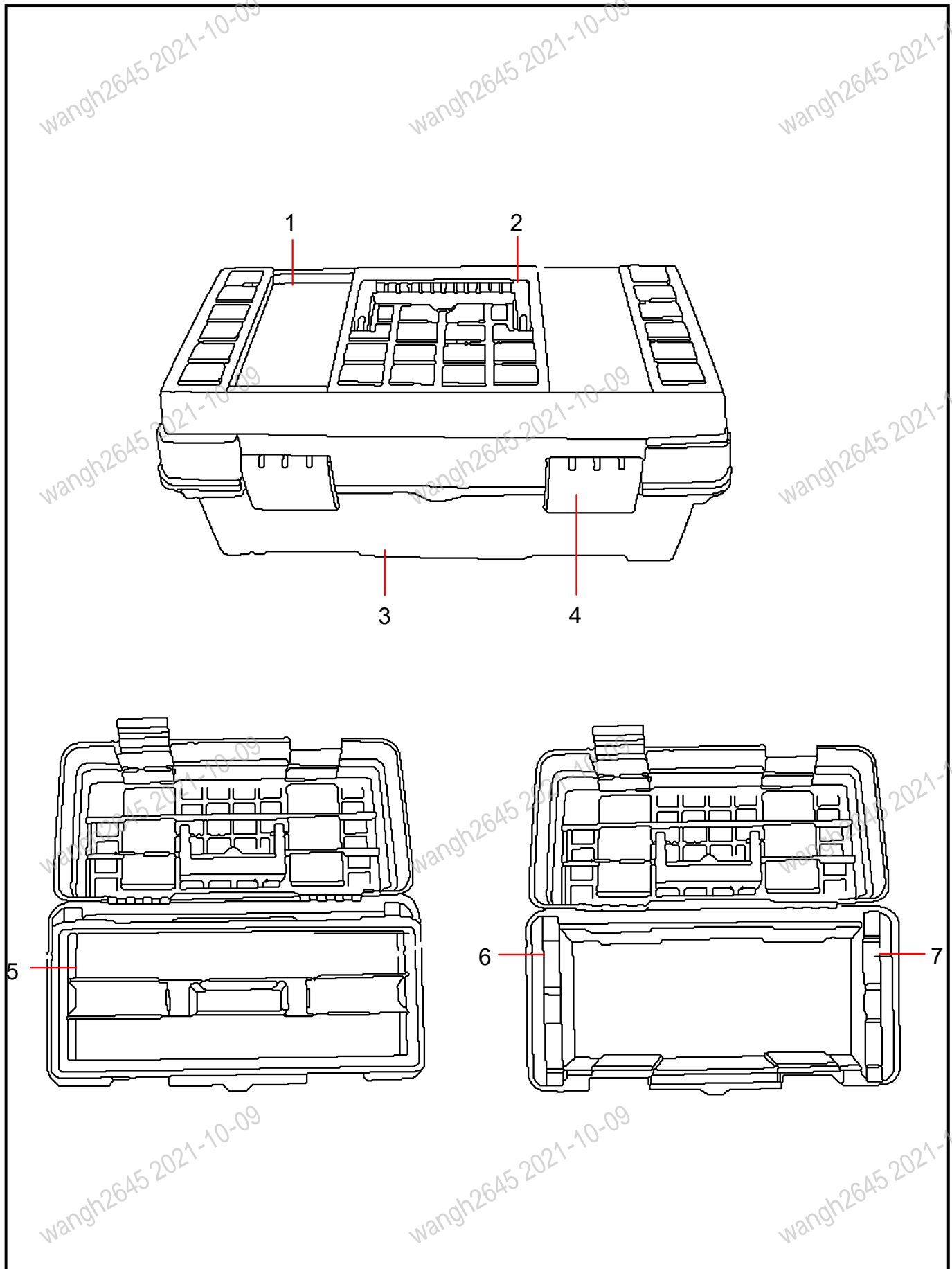
Attached accessories



INDEX	PART NO.	DESCRIPTION	QTY	SEE PAGE
1	B222100000686	Oil filter	1	
2	B222100000685	Diesel Fuel Cleaner	1	
3	14042474	Accompanying tools	1	11-4
4	13172101	Crawler Hydraulic Excavator SOM SY35U (English)	1	
5	13172107	Drawing volume of parts SY35C1Y3WU	1	
6	60041997	Accessories Box	1	
7	11826337	Sany Excavator Maintenance and Guarantee(English)	1	
8	13106659	Operator Instruction	1	
9	60123506	Main Cartridge of Air Cleaner	1	

INDEX	PART NO.	DESCRIPTION	QTY	SEE PAGE
1	A260401030028	Double Open-end Wrench	1	
2	A260401030007	Spanner, Double-ended	1	
3	A260401030100	Wrench, Box End	1	
4	60001295	Socket	1	
5	B260401090024	Spanner, Belt	1	
6	A260401030005	Spanner, Double-ended	1	
7	A260401040004	Spanner, Adjustable	1	
8	A260401010025	Socket	1	
9	A260401010063	Socket	1	
10	A260401010027	Socket	1	
11	A260401010051	Sleeve	1	
12	A260401010029	Sleeve 34×20GB3390.1-04	1	
13	A260401090010	Wrench Ratchet	1	
14	A260401010092	Connecting Rod	1	
15	A260401020009	Wrench, Allen	1	
16	A260401020010	Wrench, Allen	1	
17	A260401020011	Wrench, Allen 8RgB5356	1	
18	A260401020004	Wrench, Allen	1	
19	A290000000155	Toolbox, portable	1	11-6
20	B260409000015	High Pressure Manual Grease Gun	1	

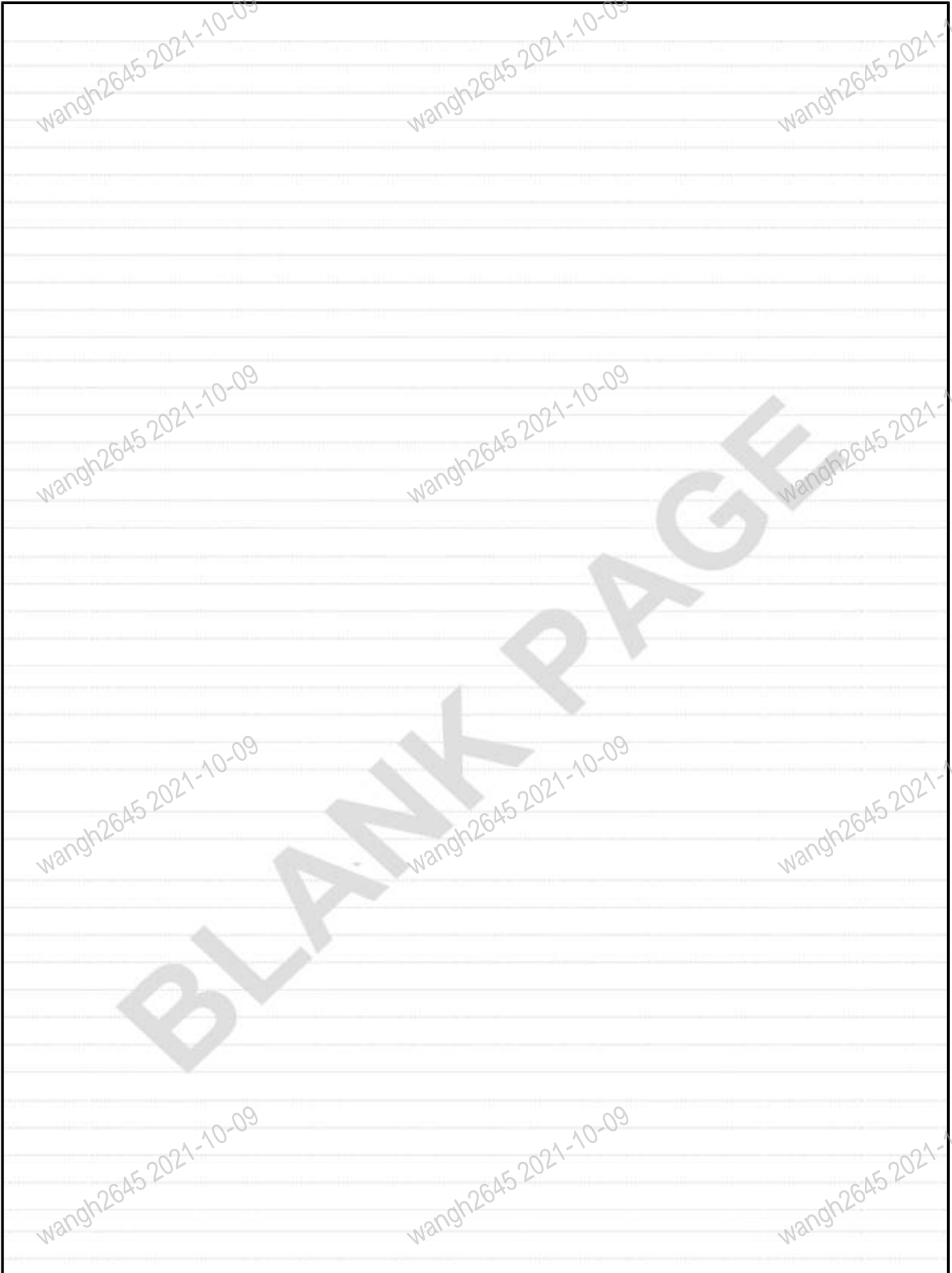
A290000000155 Toolbox, portable



11-6 Attached accessories

SY35C5Y3WU(GB)

INDEX	PART NO.	DESCRIPTION	QTY	SEE PAGE
1	60153777	Upper Cover	1	
2	60153697	Handle	1	
3	60153713	Footing	1	
4	60153693	Latch	2	
5	60153827	Tray	1	
6	60153665	Support, Left	1	
7	60153654	Support, Right	1	



Index

10124614 Caution Plate of Bucket Rod.....	5-3, 5-5	13047574 Piston.....	6-19, 10-19
10453599 Connector.....	7-7	13047575 Bush.....	6-23
10514225 Plug.....	7-95	13047576 Bumper Sleeve.....	6-19
10541251 Connector.....	7-55, 7-59	13047577 Bush.....	6-19
10569316 Battery Layering.....	2-3	13047700 end cover.....	6-23
10574180 Spacer.....	6-3	13047759 Piston Rod.....	6-19
10597771 Cover Board.....	10-5	13047761 Cylinder Assem.....	6-19
11084197 Pipe, hot pipe, air conditioner.....	7-7	13047767 Oil tube component.....	6-19
11133774 Protective Sleeve.....	10-3	13047769 Oil tube component II.....	6-19
11133805 Protective Sleeve.....	10-3	13048175 Guide Sleeve.....	6-23
11172196 Revolving gear oil filler mark.....	5-7	13048179 Bumper Sleeve.....	6-21
11225692 Protective sleeve.....	4-15	13048180 Bush.....	6-21
11258271 Protective Bush.....	6-23	13048255 Piston.....	7-99
11261296 Guide Bush.....	6-21	13048256 de sleeve.....	7-99
11287446 Connector.....	10-11	13048257 Bush.....	7-99
11626828 Throttle connecting lever.....	4-5	13048268 Piston rod assem.....	7-99
11826337 Sany Excavator Maintenance and Guarantee(English).....	11-3	13048269 Cylinder assem.....	7-99
11992504 Scheduled cleaning radiator nameplate.....	5-3	13048278 Cylinder, boom swing.....	7-61
12016795 Caution board of "No Standing".....	5-3	13048308 Oil Pipe Component.....	6-21
12052082 Fan tough caution board.....	5-7	13048966 Guide Sleeve.....	6-21
12052083 Warning nameplate for hand burning.....	5-7	13048967 Piston.....	6-21
12052087 Mark Diagram of Hook Point.....	5-3, 5-5	13048968 Cylinder, arm.....	6-15
12052088 Front Window Lock Caution Board.....	5-7	13048970 Piston Rod.....	6-21
12052089 Security exit nameplate.....	5-7	13048971 Cylinder Assem.....	6-21
12053111 PT Block.....	7-19	13051114 air intake tube.....	4-15
12076696 Caution board of "No handhold".....	5-7	13051115 air intake rubber hose.....	4-15
12496540 Antispray caution plate.....	5-5	13051116 water-in pipe.....	4-11
12496544 Caution board of belt security.....	5-7	13051117 water-in tube.....	4-11
12648410 fuel cleaner decal.....	5-7	13053029 Connector.....	7-63
12688927 Left Handle.....	3-27	13053044 connector.....	7-55, 7-59
12691132 Right Handle.....	3-27	13053059 Connector.....	7-55, 7-57, 7-59, 7-65
12824424 Integrated Box.....	2-7	13053233 Connector.....	7-63
12872543 Fuel Pipe.....	4-5	13053604 steel tube assembly.....	6-15
12877195 G1/4(Ed)-M14Connector.....	7-67	13053950 steel tube assembly.....	6-15
12880634 counterweight marking.....	5-7	13053966 steel tube assembly.....	6-15
12900566 Slewing Bearing.....	10-3	13054004 steel tube assembly.....	6-15
12935633 Track Roller.....	10-7	13055072 pump installation flange.....	4-19
12978957 Connector.....	7-61	13055086 Clamp ASSY.....	4-15
12978969 Connector.....	7-61	13055089 Connection Steel Tube ASSY.....	4-15
12996227 Cover Plate.....	7-5, 10-3	13055109 radiator upper support plate.....	4-11
13008027 Elbow adaptor.....	6-23	13055126 rear sealing board assembly.....	4-11
13019985 Movable boom cylinder.....	6-15	13055134 lower sealing plate assembly.....	4-11
13035936 Fix board.....	10-5	13055141 upper sealing board assem.....	4-11
13036922 Lock Pin.....	10-5	13055142 throttle connecting lever.....	4-5
13036961 Lock Pin.....	10-5	13055163 throttle support.....	4-5
13036982 Shaft Sleeve.....	10-29	13055186 Water-out-joint.....	4-5
13037024 Motor cover.....	10-3	13055445 tube.....	7-53
13039393 Washer.....	6-19, 6-21, 6-23, 10-19	13055507 Oil suction steel tube.....	7-53
13040388 butter pool seal ring.....	10-3	13055623 Oil suction steel tube.....	7-53
13040450 Bottom Cover Plate.....	10-3	13057189 OIL-OUT PIPE OF TANK.....	4-5
13046617 Pipe Clamp.....	6-19, 6-21, 6-23, 10-19	13057198 OIL-IN-PIPE OF PUMP.....	4-5
13047527 Piston.....	6-23	13057200 OIL-OUT PIPE OF PUMP.....	4-5
13047573 guide sleeve.....	6-19	13057241 counterweight.....	8-3
		13057242 counterweight assembly.....	1-3
		13060533 hydraulic oil tank assy.....	7-53

13061263 hydraulic oil tank	7-95	13088478 general assembly of rear hood	9-3
13061324 Plate	7-95	13088485 rear hood weldment	9-15
13061617 plate	7-95	13088505 rubber strip	9-7
13063324 undercarriage hydraulic system	10-3	13088506 rubber sleeve	9-9
13063776 shaft	6-5	13088507 general assembly of front engine hood	9-3
13063797 Shaft	6-7	13088519 front engine hood	9-9
13063799 Shaft	6-7	13088524 cover of front engine hood	9-9
13063804 Spacer	6-3, 6-5, 6-7, 6-9, 6-11, 10-5	13088526 wind hook	9-9
13063805 shaft 2	6-3	13088544 limit wind hook	9-3
13063806 shaft	6-3	13088548 uppercover board assem.	9-3
13063808 Left tooth	6-27	13088551 lock	9-3
13063809 Right tooth	6-27	13088591 left front side beam wrapping	9-3
13063810 Bucket Tooth	6-27	13088592 right side beam wrapping	9-3
13063812 Oil cylinder protecting board	6-5	13088593 left side beam wrapping	9-3
13064631 Bulldozing shovel	10-29	13088595 limit board assem.	9-3
13064724 Shaft Sleeve	6-13, 6-25	130901000064B001 defrosting air gap	3-13
13065196 front sealing board assembly	4-11	130901000064B002 blow face draught	3-13
13066681 plate	7-55	130901000064B003 rear draught	3-13
13066750 pipe clamp	7-55	130901000064B005 Locked Rebound ASSY	3-11
13068305 Spacer	7-5, 10-3	130901000064B006 Back Lock	3-11
13069692 suction hose	7-53	130901000064B007 Front glass assembly	3-9
13070065 suction rubber hose	7-53	130901000064B008 Front glass	3-17
13070069 Work device hydraulic Tube	6-5	130901000064B009 Lower glass	3-7
13070120 tube clamp	7-53	130901000064B010 Locking Bolt	3-7
13070881 ARM	6-7	130901000064B011 Guard Hook	3-7
13071065 Boom	6-5	130903000041A seat	3-5
13071903 harness of display	2-7	13091122 Battery Binder Plate	2-3
13072603 Driver's Cab Harness	2-7	13091123 Battery Binder Plate	2-3
13072754 Control harness	2-9	13091125 Battery Support	2-3
13072793 Vehicle body harness	2-5	13097119 sealing board assembly	7-5
13072799 Heat Insulation Plate Components	4-11	13100862 rubber	7-51
13072929 support	6-3	13103250 fuel and throttle control system	4-3
13072971 shaft	6-7	13103254 cooling system	4-3
13072973 Shaft	6-9	13103262 intake and exhaust system	4-3
13072974 Shaft	6-9	13103541 Anchor Ear	4-15
13072975 Shaft	6-13	13106659 Operator Instruction	11-3
13072985 Brace piece axial pin	6-3	13112177 sealing board	7-109
13073008 Shaft Sleeve	6-25	13112243 sealing board	7-109
13073197 pin	6-27	13112250 sealing board	7-109
13073232 Shaft	6-9	13112255 sealing board	7-109
13073470 Brace piece axial pin	7-5	13116120 Rubber Protective Sleeve Component	3-5
13073618 Shaft Sleeve	7-5	13116452 radio installation plate	3-25
13075351 Rocker	6-9	13116919 seat front cover plate assem.	3-25
13075352 Rocker	6-9	13132155 Refer to the Caution Plate of User'S Guide	5-7
13075553 Bucket	6-13	13132160 Warning board for high pressure avoidance	5-7
13077577 Brace piece axial pin	6-3	13132162 Key Power-down Caution Panel	5-7
13077579 Brace piece axial pin	6-3	13132193 Seat safety caution board	5-7
13078809 supporting frame	9-5	13132226 Noise marker	5-3
13080058 fixed frame	7-5	13132230 Logo plate of fuel tank	5-3
13085812 Spacer	6-13, 10-5	13132241 Power supply socket	5-7
13088199 right rear pillar component	9-13	13134502 air condition	7-3
13088206 left rear pillar component	9-13	13138525 connector	7-51
13088210 right up beam assem.	9-13	13138665 connector	7-51
13088213 right front pillar	9-13	13140255 back rubber cushion	3-5
13088229 right-hand pillar component	9-13	13145932 hinge of rear hood	9-15
13088423 steel lathing assem.	9-11	13148777 Power Sign	5-5
13088446 general assembly of right door	9-3	13149157 Preheating Caution Board	5-7
13088450 right door weldment	9-17		
13088457 steel lathing assem.	9-17		
13088476 right rubber strip	9-7		
13088477 limit mounting plate	9-15		

13149221 gas spring bracket	9-13	13603246 Pendulum Pedal ASSY	13-5
13155987 Leading Switch Mark	5-7	13612674 Travel device	1-3
13156069 Foot Pedal Mark	5-7	13618983 bulldozing shovel protective sleeve	3-5
131602000021A damper	3-3	13664659 front rubber cushion	3-5
131602000022A damper	4-19	13684419 Waterproof Rubber	3-3
13166422 Caution board of tension device	5-3, 5-5	13711158 Decal, Oil Level	5-5
13166446 Fixed Loading Spot Mark	5-3, 5-5	13735108 Lubricating graphic chart	5-7
13166523 Counterweight left reflective coating	5-7	13791650 machine body left decal	5-3
13166529 Counterweight right reflective coating	5-7	13791651 machine body right decal	5-5
13172101 Crawler Hydraulic Excavator SOM SY35U (English)	11-3	13793488 left boom marking	5-3
13172107 Drawing volume of parts SY35C1Y3WU	11-3	13793494 boom right marking	5-5
13203029 G3/4-M26-L75 Adaptor	7-57	13825732 Ball valve support	7-57
13208679 left support of condenser	7-7	13845262 run-out footplate	3-5
13208681 right support of condenser	7-7	13845264 Installation Frame	3-37
13214221 Power line	2-3	13846937 Combination Running frame	10-7
13230055 Oil tube component I	6-21	13898611 Sany Encourage Control Display	2-7
13239086 Guide Sleeve	10-19	13908742 Pipe Nip	6-15
13239087 Bush	7-99, 10-19	13908765 Pipe Nip	6-15
13239088 Cylinder, dozer	10-13	13967294 Running Control Mechanism	3-5
13239091 Piston Rod	10-19	139999000107 water clamp	4-11
13239092 Cylinder Assem.	10-19	14042474 Accompanying tools	11-3
13239097 Oil tube component II	10-19	14093635 connecting board	3-25
13247470 Slewing bearing oil filler mark	5-7	14093653 assembly weldment chassis	3-25
13254955 Retainer Ring	7-99	14093925 bridging beam component	9-13
13313311 Filter Net	4-15	14093926 general assembly of left door	9-3
13327020 sealing strip	9-7	14093929 left door weldment	9-11
13328071 Lock Sleeve	9-15	14095331 seat base	3-23
13370361 Earring	6-23	14118697 Nameplate	5-7
13370362 Rod Body	6-23	14142123 The deflection cylinder decals	5-5
13370959 muffler pipe fix plate assembly	4-15	14158506 cover	6-5
13387733 sealing gasket	7-99	14185680 Bucket Oil Cylinder	6-17
13387734 head	7-99	14185682 Cylinder Body	6-23
13411269 Lifting Mark	5-7	14185683 Fixed frame	6-23
13418200 compressor protective	7-7	14185686 Oil tube component	6-23
13426234 Transitional Plate	7-19	14185688 Oil tube component	6-23
13473028 Pipe	7-7	14219752 Control Lever	3-27
13477462 cab top cover plate	3-3	14219919 Right Control Lever	3-27
13493991 clamp	4-15	14255993 Coating	5-3
13504946 Emergency Stop Switch	5-7	14373383 FOPS& TOPS Card	5-7
13519685 OIL-OUT PIPE OF TANK	4-5	14413671 plastic fuel tank assy.	4-5
13528968 Pipe	7-7	14420145 maintenance cover plate	3-25
13529173 Spacer	6-3	14420146 maintenance cover plate	3-25
13578970 inner rubber	4-7	14421456 connecting board	3-25
13578971 binding band	4-7	14421758 base sponge assembly	3-3
13578972 threaded rod	4-7	14500011 transmission and shock mitigation system	4-3
13578973 bottom rubber pad	4-7	14500518 CAB	1-3
13578974 pressure plate	4-7	14500519 covering parts	1-3
13578975 rubber pad	4-7	14502460 Main pipeline	7-3
13578977 connecting bar	4-7	14502462 Pilot pipeline	7-3
13593971 installation plate	4-7	14504734 running foot valve cover plate	3-25
13603234 Front Pedal	3-31	14504737 pedal	3-25
13603235 Back Pedal	3-31	14504740 left footplate	3-25
13603236 Pedal ASSY	3-27	14506166 connecting board	3-5
13603237 Front Pedal	3-29	14506430 left-hand pillar component	9-13
13603238 Back Pedal	3-29	14506452 bracket assem.	9-3
13603239 Rotating Shaft	3-29, 3-31	14518215 Cover Plate	10-7
13603240 Pedal ASSY	3-27	14547959 left outrigger assembly	4-19
13603244 Pedal	3-37	14547972 right front support leg	4-19
13603245 Rotating Shaft	3-37	14550909 right rear support leg	4-19
		150188000576A PLUG	7-41

150502010008A001 Rubber Sleeve Component.....	7-45, 7-47	150601080022B009 Right Travel Section Assy ..	7-69
150502010008A002 Soffietto Circolare Component.....	7-45, 7-47	150601080022B010 Bulldozing shovel Section Assy.....	7-69
150502010008A003 Body of valve Component.....	7-45, 7-47	150601080022B011 spool component.....	7-71
150502010008A004 Spool Component.....	7-45, 7-47	150601080022B012 spool component.....	7-85, 7-87
150502010009A001 Spool Component.....	7-49	150601080022B013 Body of valve component ...	7-85
150502010009A002 Push Rod Bushing Component.....	7-49	150601080022B014 Body of valve component ...	7-87
150502010009A003 Permanent Seat Component.....	7-49	150601080022B015 spool.....	7-89
150502010009A004 Valve Body.....	7-49	151004210029A Hose.....	7-65
150505020020B001 Valve block.....	7-41	151004210033A Rubber hose.....	7-59
150505020020B002 Plug.....	7-41	151004210034A Rubber hose.....	7-59
150505020020B003 Plug.....	7-41	151004210035A Rubber hose.....	7-59
150505020020B004 Pin.....	7-41	151005160056A Hose.....	7-63
150505020020B005 O-ring.....	7-41	151005160081A Hose AS.....	6-17
150505020020B006 Mandrel.....	7-41	160499000171A001 Cap, Fuel Tank.....	4-9
150505020020B007 washer.....	7-41	160499000171A002 Fuel Tank.....	4-9
150505020020B008 Steel ball seat.....	7-41	160499000171A003 Fiter.....	4-9
150505020020B009 Steel ball.....	7-41	160499000171A004 O-ring.....	4-9
150505020020B010 U-ring.....	7-43	160499000171A005 Connector, Straight.....	4-9
150505020020B011 plate.....	7-43	21000077 O-ring.....	7-39
150505020020B012 Screw.....	7-43	21000123 O-ring.....	7-97
150505020020B013 plate.....	7-43	21002951 End Straight Connector.....	7-57
150505020020B014 Pin.....	7-43	21011030 Fitting, Adapter, Flange.....	7-51
150505020020B015 Protective sleeve.....	7-43	21011540 Pipe Connector.....	7-17
150505020020B016 Spring.....	7-41	21017994 Choke Plug.....	6-17
150505020020B017 Spool.....	7-41	21029124 O-ring.....	7-97
150505020020B018 Gasket.....	7-41	21033043 Hose.....	7-55
150505020020B019 Spring.....	7-41	21053360 Hose Hoop.....	4-5
150505020020B020 Spring seat.....	7-41	23000063 Screw.....	7-59
150505020020B021 Guide seat.....	7-41	23000169 Nut.....	7-57
150505020020B022 Steel ball.....	7-41	23000432 Rubber Hose.....	7-21
150505020020B023 washer.....	7-41	23000531 Fitting.....	7-67
150505020020B024 Retaining ring.....	7-41	23904681 Pipe Connector.....	7-13, 7-15, 7-21, 7-25, 7-27, 7-29, 7-31, 7-33, 7-35
150505020020B025 Piston.....	7-41	24000511 Washer.....	7-19, 7-29, 7-31, 7-95
150588000044A Fastening bolt.....	7-43	24000512 Washer.....	7-17, 7-21, 9-15
150601080001 Multiple valve.....	7-51	24000630 Washer.....	2-3, 4-7
150601080019B012 Screw Section Assy.....	7-69	24000632 Washer.....	2-3, 3-25, 4-5, 4-15, 6-17, 7-7, 7-25, 7-27, 7-33, 7-53, 7-57, 9-15
150601080019B014 O-ring component.....	7-73, 7-75, 7-77, 7-79, 7-81, 7-83, 7-85, 7-87, 7-89	24000633 Washer.....	2-7, 3-25, 3-27, 4-11, 4-15, 6-15, 7-5, 7-7, 7-19, 7-29, 7-31, 7-95, 9-3, 9-9, 9-15, 10-3, 10-7
150601080019B015 spool component.....	7-73, 7-75, 7-77, 7-79, 7-81, 7-89	24000637 Washer.....	7-7, 7-17, 7-51, 7-53, 9-3, 10-3, 10-5, 10-11
150601080019B016 Cover component.....	7-73, 7-75, 7-77, 7-81, 7-85, 7-87, 7-89	24000639 Washer.....	4-7, 7-51, 7-53
150601080019B017 Body of valve component ...	7-73, 7-75, 7-77, 7-79	24000642 Washer.....	7-65
150601080019B018 Cover component.....	7-79, 7-83	24001239 Screw Plug.....	7-51
150601080019B019 Body of valve component ...	7-81	24004188 Ring, Retainer.....	6-23
150601080019B021 spool component.....	7-83	24004190 Retainer Ring.....	6-21
150601080019B023 Body of valve component ...	7-83	60001289 Fire Extinguisher.....	3-9
150601080022B001 Inlet Section Assy.....	7-69	60001295 Socket.....	11-5
150601080022B002 Bucket Section Assy.....	7-69	60013321 Terminal Group, Type-A Battery Negative.....	2-3
150601080022B003 Arm Section Assy.....	7-69	60013322 Terminal Group, Type-A Battery Positive.....	2-3
150601080022B004 Boom Section Assy.....	7-69	60018110 Power supply harness.....	2-3
150601080022B005 Aux Section Assy.....	7-69	60021999 Clamp, T-type.....	4-15
150601080022B006 run-out Section Assy.....	7-69	60023703 Speaker.....	3-11
150601080022B007 Swing Section Assy.....	7-69	60023704 Antenna.....	3-9
150601080022B008 Left Travel Section Assy.....	7-69	60035652 Ring Retaining.....	6-23, 7-99
		60035658 Bushing.....	6-23, 7-99

60035790 Seal Ring.....	6-23, 7-99	60153713 Footing.....	11-7
60035793 Seal Ring.....	6-21	60153777 Upper Cover.....	11-7
60041902 90 Degree Metal Mounting Bracket.....	2-9	60153827 Tray.....	11-7
60041997 Accessories Box.....	11-3	60153884 Hose.....	7-63
60046293 Pilot Oil Supplier.....	7-19, 7-29, 7-31	60164159 Ball.....	10-23
60052626 Ashtray.....	3-13	60164261 Plug.....	10-25
60052666 Safety Hammer.....	3-9	60164262 PLUG.....	10-25
60060546 Washer.....	2-3, 7-109, 9-3, 9-15	60164263 Plug.....	10-25
60060548 Washer.....	6-3, 7-5	60164322 Pin.....	7-105
60060562 Washer.....	3-27	60164336 Kit, Seal.....	7-105
60060564 Washer.....	7-7, 7-29, 7-31	60164376 Screw.....	7-105, 10-23
60068694 Screw.....	6-23	60164378 O-ring.....	10-23
60078540 Rear hood gas spring.....	9-5	60166393 Split Flow Gear Pump.....	7-7
60082912 O-ring.....	7-57	60166732 Water Spraying Nipple.....	3-9
60083322 Clamp.....	2-5	60166735 Pin Rail.....	3-9
60086353 Wire Clamp.....	2-5	60166737 Support of rearview mirror (1).....	3-15
60086354 Clamp.....	2-5	60166738 Support of rearview mirror (2).....	3-15
60086357 Clamp.....	4-5	60166748 rearview.....	3-7
60087463 Seal ring.....	7-99	60166861 Plunger Pump.....	7-51
60091798 O-Ring.....	10-23	60167638 centerswiveljoint.....	10-11
60099069 accelerograph motor.....	4-5	60167753 Reducerassembly.....	10-15, 10-17
60114257 Safety Valve.....	7-37	60167754 Reducerassembly.....	7-65
60114259 Valve Block.....	7-37	60167908 Filtercore.....	7-95
60114260 Pressure Reducing Valve.....	7-37	60169726 Rubber Hose.....	7-31
60114263 Internal One-way Valve.....	7-37	60171549 Device-Driven.....	7-93
60114265 Unloading Electromagnetic Valve.....	7-37	60171602 Pressure Valve-Control.....	7-93
60114266 Safety Valve Repair Kit.....	7-37	60171632 Plug.....	7-93
60114268 Unloading Electromagnetic Valve Repair K.....	7-37	60171650 Fitting, Adapter.....	7-93
60114269 Plug.....	7-37	60171666 Drive Torque Limiter.....	7-93
60114270 Plug.....	7-37	60176723 Dust Ring.....	6-19, 6-21, 10-19
60114272 Pressure Reducing Valve Repair Kit.....	7-37	60176725 Dust Ring.....	6-9, 6-11, 6-13, 10-5
60114275 Lock Nut.....	7-37	60176726 Dust Ring.....	6-19, 6-21, 10-19
60114277 Accumulator.....	7-37	60176730 Seal Ring.....	6-19, 6-21, 10-19
60114280 Internal One-way Valve O-ring.....	7-37	60176732 Seal Ring.....	6-19, 6-21, 10-19
60114281 Accumulator O-ring.....	7-37	60180748 Plug.....	4-17
60114283 Electrical Socket.....	7-37	60180749 Valve.....	4-17
60114285 Solenoid Valve.....	7-37	60180750 Cover ASSY.....	4-17
60114706 air cleaner.....	4-15	60180751 Body ASSY.....	4-17
60114799 Pressure Sensor.....	7-21	60180960 Bushing.....	6-19, 6-21, 10-19
60114999 Filter Core.....	7-95	60180968 Ring Retaining.....	6-19, 6-21, 10-19
60115933 Liquid Reserve Tank.....	4-11	60181276 Tensioner AS.....	10-7
60120208 Rubber Hose.....	7-25, 7-33, 7-35	60181277 rubber belt track.....	10-7
60120209 Rubber Hose.....	7-25, 7-27	60181502 Track idler.....	10-7
60120211 Rubber Hose.....	7-29	60181503 Driving wheel.....	10-7
60120212 Rubber Hose.....	7-29	60183946 Retaining Ring.....	6-19, 6-21, 10-19
60120214 Rubber Hose.....	7-27, 7-29	60184718 Dust Ring.....	6-23, 7-99
60120215 Rubber Hose.....	7-29	60184737 Seal Ring.....	6-23, 7-99
60120216 Rubber Hose.....	7-13	60184746 Seal Ring.....	6-19, 10-19
60120217 Rubber Hose.....	7-31	60186788 Filter, Hydraulic Tank Breather.....	7-107
60120220 Rubber Hose.....	7-31	60190276 SENSOR ASS'Y-EVAP.....	7-11
60120221 Rubber Hose.....	7-27, 7-31	60192119 Anti-Pollution Loop.....	6-19, 10-19
60120222 Rubber Hose.....	7-33	60193169 Power Line.....	2-3
60123505 Safety Cartridge of Air Cleaner.....	4-17	60195980 Alarm Pressure.....	4-15
60123506 Main Cartridge of Air Cleaner.....	4-17, 11-3	60197034 Cluster Fixed Lace.....	7-7
60136966 Pipe Connector.....	7-19	60202078 Cluster Fixed Lace.....	2-3
60143661 Headlight.....	2-7	60202193 Pipe Connector.....	7-59
60153654 Support, Right.....	11-7	60202268 Screw.....	7-93
60153665 Support, Left.....	11-7	60205959 Angle Sealing Strip.....	10-9
60153693 Latch.....	11-7	60206741 Fuel Sensor.....	4-7
60153697 Handle.....	11-7	60211080 Rubber hose.....	7-61
		60211509 Horn.....	2-5

60212612 Dc Contactor.....	2-3	60247580 STEEL PLUG TCEI	7-93
60215132 Power Supply Line.....	2-3	60247581 STEEL PLUG TCEI	7-93
60215890 clip.....	7-11	60248022 Refiller Valve.....	10-31
60215891 resistor assy.....	7-11	60248023 Tensioning Equipment Repairing Bag.....	10-31
60218598 Ignition Switch.....	2-9	60248041 Plunger Pump Repair Kit.....	7-91
60221096 FITTING.....	7-45, 7-47	60248042 Multi-way valve repairing kit.....	7-69
60223376 Left Armrest Box ASSY.....	3-5	60248043 swing reducer assembly Repair kit.....	7-101
60225215 Bonnet Lock.....	9-15	60248044 Running Reducer assembly Repair kit.....	10-21
60231659 engine.....	4-3	60248045 Cylinder Repair Kit.....	7-99
60232041 cab.....	3-3	60248046 Cylinder Repair Kit.....	10-19
60233037 radiator.....	4-11	60248047 Cylinder Repair Kit.....	6-19
60233068 Flanging Coupling.....	4-19	60248048 Cylinder Repair Kit.....	6-21
60233775 accelerator flexible shaft.....	4-5	60248532 sealing rubber strip of front window.....	3-9
60234649 muffler.....	4-15	60248533 lower rubber strip of front window.....	3-17
60236996 Knob switch.....	2-9	60248535 Sealing Rubber Strip of Door.....	3-19
60237031 Breather Valve.....	7-53	60248537 sealing rubber of front-lower glass.....	3-9
60238783 Washer.....	4-5	60248540 right side glass.....	3-7
60240239 rubber hose.....	7-33	60248541 left-back side glass.....	3-7
60240240 rubber hose.....	7-15, 7-25	60248542 back glass.....	3-7
60240241 rubber hose.....	7-15	60248543 top glass.....	3-7
60240242 rubber hose.....	7-35	60248544 Top Glass of Door.....	3-19
60240243 rubber hose.....	10-15, 10-17	60248545 Bottom Glass of Door.....	3-19
60240244 Rubber Hose.....	10-15, 10-17	60248546 Sliding Window of Door.....	3-19
60240245 rubber hose.....	7-21	60248547 Lock of Front Window(Left).....	3-9
60240905 holding valve.....	7-59	60248548 Lock of Front Window(Right).....	3-9
60242100 CONTROL UNIT.....	7-9	60248549 Lock Handle from Outside.....	3-19
60242101 COMPRESSOR ASSY.....	7-9	60248550 Lock of Door.....	3-19
60242102 CONDENSER ASSY.....	7-9	60248551 Lock Catch of Door.....	3-19
60242104 HOSE ASSY-DISCHARGE.....	7-9	60248553 saucer.....	3-9
60242105 HOSE ASSY-SUCTION.....	7-9	60248555 Wall Lamp.....	3-11
60242106 Hose assy-liquid.....	7-9	60248560 windscreen wiper assembly.....	3-9
60242107 Hose assy-liquid.....	7-9	60248561 wiper arm.....	3-21
60242108 WIRE HARNESS ASSY-EXT.....	7-9	60248562 wiper motor.....	3-21
60242109 Wire harness assy-ext.....	7-9	60248563 screen cover of front control box.....	3-13
60242300 rubber hose.....	7-23	60248564 inner plaque of front control box.....	3-13
60242506 Left Pilot Control Valve Assembly.....	7-29	60248565 inner plaque of front control box.....	3-13
60242507 Right Pilot Control Valve Assembly.....	7-31	60248566 decoration plate for filter core.....	3-13
60243077 complex radiator.....	4-13	60248567 right-back inner plaque.....	3-13
60243078 wind lead cover.....	4-13	60248568 horn cover.....	3-11
60243079 guard net.....	4-13	60248569 back inner plaque.....	3-11
60243080 guard net.....	4-13	60248570 left inner plaque.....	3-11
60243081 Radiator Gap.....	4-13	60248571 Decoration Plate of Lock.....	3-19
60243082 Cooling-water Switch.....	4-13	60248575 Handle Indoor.....	3-19
60243800 Rubber Hose.....	10-15, 10-17	60248576 roller of front window.....	3-17
60243801 Rubber Hose.....	7-55, 7-59, 7-65	60248578 Gas Spring.....	3-9
60244911 Swivel Joint Repair Kit.....	10-27	60248579 door assembly.....	3-7
60246980 Ball Valve.....	6-17, 7-57	60248582 cigarette lighter.....	3-13
60247541 SCREW TCEI.....	7-93	60248583 plastic cover of windscreen wiper.....	3-21
60247543 SCREW TCEI.....	7-93	60249213 Screw.....	7-93
60247545 Bolt.....	7-93	60249497 Flow Compensator Mvp Ls2.....	7-93
60247547 NUT.....	7-93	60249498 Torque Limiter Pump Mvp.....	7-93
60247548 Bolt.....	7-93	60249499 COVER MVP 48-LME/MC (1).....	7-91
60247552 SCREW.....	7-93	60249500 ROLLER_BEARING_LM12749-LM12710_TIMKEN.....	7-91
60247553 O-ring.....	7-91	60249501 ROLLER_BEARING_322/28B_(LVP45).....	7-93
60247554 o-ring.....	7-93	60249502 SCREW TCEI M12x35 UNI.....	7-91
60247558 RING.....	7-93	5931-12.9.....	7-91
60247571 NUT.....	7-93	60249503 NUT M8 UNI 5588-A-TURNED.....	7-93
60247574 Dowel Pin Elassytic.....	7-93		
60247576 Dowel Pin Elassytic.....	7-93		
60247577 Dowel Pin Elassytic.....	7-91		
60247578 DOWEL PIN ELASTIC.....	7-93		

60249504 SCREW M8×40-5923-14.9 45H.....	7-93	60257745 O-ring	10-23
60249505 SHOULDER WASHER CYLINDER BLOCK LVP 48	7-91	60257746 O-ring	10-23
60249506 SHOULDER WASHER SHAFT MVP 48	7-91	60257747 Back up Ring.....	10-23
60249507 O-ring Seal Or 2037 70Gra Sh.A.....	7-93	60257748 Back up Ring.....	10-23
60249508 O RING SEAL PH 2-048 90 SH.A	7-91	60257769 BODY 1 SUB ASSY.....	10-23
60249509 SHAFT SEAL BABSL 28X40X7	7-93	60257770 BODY 2 SUB ASSY.....	10-23
60249510 RING 38 UNI 7437-DIN 472	7-91	60257771 SEAL KIT	10-23
60249511 RING 40 UNI 7437-DIN 472.....	7-93	60258081 S1 GEAR.....	7-103
60249512 SPLINED RING LVP 48	7-91	60258082 S2 Gear	7-103
60249513 SEMI-RING SWASH PLATE SUPPORT MVP 48	7-93	60258086 O-ring	7-103
60249514 CYLINDERS BLOCK MVP 48.....	7-91	60258092 Snap Ring.....	7-103
60249515 PISTONS SPRING LVP 48.....	7-91	60258096 SCREW	7-103
60249516 COUNTERBALANCING SPRING MVP 48	7-93	60258098 RING	7-103
60249517 SWASH PLATE MVP 48 VRP NF ISF.....	7-93	60258113 Filter	7-105
60249518 PISTONS GUIDE PLATE MVP 48 HP	7-91	60258115 BEARING.....	7-105
60249519 VALVE PLATE MVP 48 DX TAKAKO.....	7-91	60258116 Snap Ring	7-105
60249520 PISTON LVP 48 (ASSY).....	7-91	60258122 RELIEF VALVE.....	7-105
60249521 CONNECTION SHAFT MVP 48 (1).....	7-93	60258134 PINION SUB ASSY	7-103
60249522 SHAFT MVP 48 VERSION 04	7-93	60258135 CARRIER 1 SUB ASSY	7-103
60249523 PUMP BODY MVP 48 VERS S5-OC VRP	7-93	60258136 CARRIER 2 SUB ASSY	7-103
60249524 PISTON MVP 48	7-93	60258137 BODY H SUB ASSY	7-105
60249525 DOWEL PIN CASEHARDENED MM.3x36 UNI1707	7-91	60258138 CYLINDER BARREL SUB ASSY.....	7-105
60249527 PLUG TE 3/4 GAS WITH OR PH 2-120 25	7-93	60258140 Reducer components.....	7-101
60249819 Screw	4-5, 7-27, 7-29, 7-31, 7-53, 7-57	60258141 Motor components.....	7-101
60250079 Journey Switch.....	3-35	60258142 Reducer components.....	10-21
60255796 RubberHose.....	7-15	60259212 TRAVEL SPOOL	7-85, 7-87
60255848 Dust Ring	6-23	60259214 BOOM SPOOL	7-77
60255849 Dust Ring	7-99	60259215 ARM SPOOL.....	7-75
60257692 COVER	10-25	60259216 BUCKET SPOOL	7-73
60257694 B1 GEAR.....	10-25	60259524 Handle.....	7-45, 7-47
60257697 S2 GEAR.....	10-25	60259580 Shaft Sub ASSY	10-23
60257698 RING	10-25	60259581 Cylinder Barrel Sub ASSY.....	10-23
60257700 O SNAP RING.....	10-25	60259582 SEAL KIT(REDUCTION GEAR)	10-25
60257701 THRUST COLLAR.....	10-25	60259909 rubber hose.....	10-13
60257702 SLIDE RING.....	10-25	60259919 Left Armrest Box Upper Cover	3-35
60257703 Floating seat	10-25	60259920 Upper Cover Anchor	3-33, 3-35
60257704 O-ring.....	10-25	60259921 Left Armrest Box Right Shell.....	3-35
60257706 NEEDLE.....	10-25	60259922 Left Armrest Box Left Shell.....	3-35
60257709 SNAP RING	10-25	60259923 Hand Rail Limit.....	3-33, 3-35
60257712 SNAP RING	10-25	60259924 Handle.....	3-35
60257715 HYDRAULIC MOTOR.....	10-21	60259925 Handle Lever.....	3-35
60257717 TRUST WASHER.....	10-25	60259927 Hand Rail.....	3-33, 3-35
60257718 TRUST WASHER.....	10-25	60259930 Right Armrest Box Left Shell.....	3-33
60257719 BODY SUB ASSEMBLY.....	10-25	60259931 Bulldozing Shovel Handle.....	3-33
60257720 CARRIER 2 SUB ASSEMBLY	10-25	60259936 Right Armrest Box Upper Cover.....	3-33
60257729 SWASH PLATE	10-23	60259937 Right Armrest Box Right Shell.....	3-33
60257739 PIN.....	10-23	60259938 Bulldozing Shovel Bar	3-33
60257740 Disk Plate	10-23	60260278 SWASH PLATE KIT 1	7-105
60257741 Steel Plate	10-23	60273382 Expansion valve	7-11
60257742 Barake Piston.....	10-23	60277714 Oil Tank	4-7
60257743 Barake Spacer	10-23	60281974 Pilot-control Valve.....	7-25, 7-27, 7-33
60257744 Spring B.....	10-23	60282632 right armrest boxes assembly	3-5
		60290332 Connection	7-97
		60290333 Plug.....	7-97
		60290334 Control Piston	7-97
		60290335 Spring.....	7-97
		60290336 Piston Cover	7-97
		60290337 O-ring	7-97
		60290338 Piston Rod	7-97
		60290339 Control Rod.....	7-97
		60290340 Nut	7-97

60290341 Bolt.....	7-97	A210110000272 Bolt	10-3
60290342 Valve Pocket	7-97	A210110000281 Bolt	10-3
60290343 Piston	7-97	A210110000306 Bolt	7-19
60290344 Spring.....	7-97	A210110000323 Bolt	6-5, 6-7, 10-5
60290345 Poppet.....	7-97	A210110000330 Bolt	8-3
60290346 Plug.....	7-97	A210110000447 Bolt	4-19
60290347 Spool.....	7-97	A210111000012 Bolt	2-3, 4-15, 6-5, 7-53, 7-109, 9-3, 10-3, 10-5
60290348 Washer	7-97	A210111000024 Bolt	4-19
60290349 Spring.....	7-97	A210111000078 Bolt	3-25
60290350 Plug.....	7-97	A210111000079 Bolt	4-15, 7-7, 9-15
60290351 Plug.....	7-97	A210111000082 Bolt	7-7
60290352 Seal Washer	7-97	A210111000092 Bolt	3-27
60290353 Spring.....	7-97	A210111000093 Bolt	6-15
60290355 Spool.....	7-97	A210111000095 Bolt	4-15
60290356 Plug.....	7-97	A210111000101 Bolt	4-11, 4-13
60290357 Body.....	7-97	A210111000120 Bolt	4-19
60292211 Left Armrest Box Framework	3-35	A210111000195 Bolt	7-7
60294884 Plug.....	7-39	A210111000197 Bolt	4-19, 7-5, 9-15, 10-11
60295035 Rotary Valve Spool	7-83	A210111000199 Bolt	4-19, 6-3
60295049 pendulum Valve Spool	7-81	A210111000202 Bolt	4-5
60295052 Breaking Valve Spool	7-79	A210111000203 Bolt	4-7
60306443 Rocker Switch	3-33	A210111000204 Bolt	9-3
60306446 Rocker Switch	3-33	A210111000208 Bolt	6-27
60306447 Rocker Switch	3-33	A210111000209 Bolt	10-7
60309855 Gas Spring.....	3-35	A210111000293 Bolt	7-7
60310282 Water Jet ASSY.....	3-9	A210111000321 Bolt	8-3
60328542 Back lock handle	3-11	A210111000342 Bolt	4-11, 7-51, 9-15
60328543 handle plastic cover	3-11	A210111000343 Bolt	2-7, 3-25, 7-7, 7-19, 7-95, 9-9, 10-3, 10-7
60328546 back water-proof rubber strip	3-9	A210111000442 Bolt	10-7
60333908 Relief valve	7-73, 7-75, 7-77, 7-79, 7-81, 7-89	A210204000116 Screw	4-7
60338982 Clamp.....	4-11	A210204000129 Screw	4-5
60338983 Hose clamp.....	4-11	A210204000131 Screw	7-25, 7-33
60341344 Middle Column Handle.....	3-9	A210204000167 Screw	7-53
60343358 Valve, Pilot.....	7-17	A210204000181 Screw	3-15
60344874 Heater core.....	7-11	A210204000196 Screw	6-21, 6-23, 10-19
60344876 Blower motorbracket.....	7-11	A210204000202 Screw	6-19
60344877 Wire.....	7-11	A210204000203 Screw	7-65
60349307 Lower Window Plate(Left).....	3-7	A210204000218 Screw	6-17, 7-57
60349310 Lower Window Plate(Right).....	3-7	A210204000220 Screw	7-5, 7-19, 7-29, 7-31
61007748 Pulley.....	7-9	A210204000313 Screw	7-17
61016420 Hose.....	6-17	A210204000337 Screw	7-51, 7-53, 10-7
61017617 Air Condition	7-7	A210204000338 Screw	7-5, 10-3, 10-7
61017789 HVAC.....	7-9	A210204000341 Screw	4-15
61020294 Alarm lamp switch	3-33	A210204000354 Screw	7-51
61026668 Repair Kit,Handle	7-45, 7-47	A210204000357 Screw	4-5
61030659 Radio.....	2-9	A210204000358 Screw	7-55
61030875 Hose.....	7-55, 7-57	A210204000455 Screw	6-3
61031172 Evaporator	7-11	A210206000001 Screw	7-99
61031173 Case Blower Motor Support.....	7-11	A210206000004 Screw	6-19, 6-21, 10-19
61031174 Filter.....	7-11	A210210000023 Screw	3-25
61031175 Cover Filter	7-11	A210210000030 Screw	2-7, 3-27
61031176 Drain Hose.....	7-11	A210307000002 Nut.....	6-27
61031177 Drain Hose.....	7-11	A210307000012 Nut.....	3-27
61031178 Clip.....	7-11	A210307000014 Nut.....	9-11, 9-17
61031182 Clip.....	7-11	A210307000015 Nut.....	7-49
61031183 Clip.....	7-11	A210307000016 Nut.....	7-7
61031184 Valve.....	7-9	A210307000031 Nut.....	4-5, 4-7, 6-3, 6-5, 6-7, 6-9, 6-13, 10-5
61031186 Receiver Drier	7-9	A210307000036 Nut.....	4-19
A210110000014 Bolt	6-7, 6-9, 6-13, 10-5		
A210110000253 Bolt	7-7		

A210307000055 Nut.....	4-15	A260401030005 Spanner, Double-ended	11-5
A210404000005 Washer	7-51	A260401030007 Spanner, Double-ended	11-5
A210405000004 Washer	3-25, 9-11, 9-17	A260401030028 Double Open-end Wrench	11-5
A210414000011 Retainer Ring.....	3-29, 3-31, 3-37	A260401030100 Wrench, Box End	11-5
A210417000045 Retainer Ring	6-23, 7-99	A260401040004 Spanner, Adjustable	11-5
A210417000107 Retainer Ring	6-19, 6-23, 7-99, 10-19	A260401090010 Wrench Ratchet.....	11-5
A210417000109 Retainer Ring	6-21	A290000000155 Toolbox, portable	11-5
A210444000001 Washer	10-7	A820102010793 Shim	6-3
A210491000007 Pin	9-3, 9-9	A820205000844 Fitting.....	7-23, 7-67, 10-11, 10-15, 10-17
A210491000120 Washer	4-5, 4-11, 4-13, 4-15, 4-19, 6-5, 7-5	A820205000940 Fitting	7-13
A210491000121 Washer	4-5, 4-19, 9-3, 10-3, 10-7	A820205000942 Fitting.....	7-51
A210491000122 Washer	8-3	A820205001061 Pressure Sensor Connector.....	7-21
A210601000003 Rolling bearing.....	7-105	A820205002389 G3/8-M18 Connector.....	7-65, 10-11
A210608000007 O-ring	7-97	A820205002445 Connector	10-15, 10-17
A210608000018 O-ring	7-95	A820205002535 G1/2-M22-L35 Adaptor.....	7-63, 10-11, 10-15, 10-17
A210608000077 O-ring	7-53	A820601000014 Control Indicating Board of Bulldozing Shovel.....	5-3
A210608000086 O-ring	6-13	A820601990927 Decal, Unlock	5-7
A210608000098 O-ring	6-19	A820601990928 Oil Level Label	5-5
A210609000077 O-ring	7-99	A820601990961 Decal Instruction Operation	5-3
A210609000079 O-ring	7-99	A820601990967 Decal Instruction Seat Adjustment	5-7
A210609000082 Ring.....	6-19, 10-19	A820601991049 Counterweight Warning Board ...	5-7
A210609000135 O-ring	6-21	A820603000246 Forward Direction Indication	5-3, 5-5
A210609000155 O Ring	6-21	A820606030367 Hose	4-11
A210609000168 O-ring	6-23	A831213044000 Rubber Hose	
A210661000015 Steel Ball.....	6-23, 7-99	1Sn6-Dkol-Dkol90-440	7-19
A210661000016 Steel Ball.....	6-19, 6-21, 10-19	A831213065000 Hose	7-21
A210804000002 Fitting, Grease.....	6-3, 6-5, 6-7, 6-9, 6-11, 6-13, 6-23, 7-5, 7-99, 10-5	A880802040016 O-ring	7-95
A210855000024 Clamp	7-53	A880803040003 Guide Ring	6-23
A222100000119 Pilot Hydraulic Oil Filter.....	7-39	A880806030085 Guide ring	7-99
A222200000093 Door lock.....	9-9	A880806030220 OK-seal Ring	6-23
A229900000882 Valve.....	4-5	B210491000007 Retainer Ring	7-99
A229900001345 Clamp	4-11	B210780000014 Pipe Connector.....	7-13, 7-15
A229900001398 Rear-view Mirror ASSY	3-15	B210780000016 Fitting, Tee	7-67
A229900002031 T-clamp	4-15	B210780000017 Three Way Combination Joint ..	7-57
A229900003104 T-clamp.....	4-15	B210780000024 Fitting, Elbow.....	7-19, 7-51, 7-55, 7-59, 7-67
A229900008230 Right Lower Fixed Block 70×20×23.....	3-9	B210780000025 Fitting, Elbow.....	7-57, 7-63
A229900008231 Left Lower Fixed Block 70×20×23.....	3-9	B210780000028 Elbow Combination Fitting	7-51
A229900008238 Assembly Of Front Lower Glass Handle Φ3	3-7	B210780000029 Fitting, Elbow	7-51
A229900010158 Oil Cup.....	6-19, 10-19	B210780000042 End Straight Connector	7-57, 7-63
A230101000323 seal ring	6-7	B210780000043 Adapter Fitting	6-17, 7-57
A230101000496 O-ring	7-99	B210780000115 Fitting, Bulkhead Connector	7-59
A230106000304 Triangular Belt	7-7	B210780000143 Fitting, Adapter	7-51
A239900000065 Nylon Belting	7-7	B210780000164 Screw Plug	7-25
A241300000059 Fuse Housing	2-7	B210780000170 Three Way Combination Joint.....	7-13, 7-21, 7-27, 7-35
A250100000174 Liquid Level Thermometer	7-95	B210780000172 Fitting.....	10-11
A260401010025 Socket	11-5	B210780000176 Fitting.....	7-13, 7-15, 7-19, 7-21, 7-23, 7-35
A260401010027 Socket	11-5	B210780000180 Fitting.....	7-51, 7-57, 7-65, 7-67
A260401010029 Sleeve 34×20GB3390.1-04	11-5	B210780000244 Split Flange	7-51
A260401010051 Sleeve	11-5	B210780000418 Fitting, Elbow ...	7-19, 7-21, 7-23, 7-35
A260401010063 Socket	11-5	B210780000421 End Straight Connector	7-51
A260401010092 Connecting Rod.....	11-5	B210780000631 Fitting, Tee	10-11
A260401020004 Wrench, Allen	11-5	B210780000823 Fitting.....	7-13, 7-15, 7-25, 7-27, 7-29, 7-31, 7-33, 7-35
A260401020009 Wrench, Allen	11-5		
A260401020010 Wrench, Allen	11-5		
A260401020011 Wrench, Allen 8Rgb5356	11-5		

B210780000827 Connector Pipe.....	7-19	B230103000950 Rubber Hose.....	7-51
B210780000837 Fitting, Bulkhead Connector.....	7-51	B230103000980 Hose Assembly.....	7-67
B210780000899 End Straight Connector.....	7-51	B230103000995 Hose.....	7-23
B210780001045 Fitting.....	7-21	B230103001057 Rubber Hose.....	7-67
B210780001053 Swivel Reducing Straight Adapter.....	7-21	B230103001230 Hose.....	7-59
B210780001382 Tee Joint.....	7-51	B230103001231 Hose Assembly.....	7-63
B210780001391 Swivel Reducing Straight Adapter.....	7-13	B230103001258 Hose.....	7-19
B222100000685 Diesel Fuel Cleaner.....	11-3	B230103001485 Hose.....	7-51
B222100000686 Oil filter.....	11-3	B230103003913 Rubber hose.....	7-61
B229900000063 High Pressure Filter.....	7-19	B230103004058 Hose.....	7-65
B229900001470 Retainer Ring.....	6-19, 10-19	B230103004108 Rubber hose.....	7-55
B229900001477 Ring, Retainer.....	6-21	B230103004426 Rubber Hose.....	7-67
B229900003909 Sensor adaptor of air cleaner... ..	4-15	B230103004811 Hose.....	7-57
B229900006227 Retainer Ring.....	6-19	B230103004943 Rubber Hose.....	7-51
B230101000047 O-ring	7-13, 7-17, 7-23, 7-67, 10-11, 10-15, 10-17	B230103005316 Rubber Hose.....	6-15
B230101000049 O-ring.....	7-65, 10-11	B230103007522 Hose AS.....	7-35
B230101000090 O-ring.....	7-55, 7-59, 7-63, 10-11, 10-15, 10-17	B230103007524 Rubber Hose.....	7-13
B230101000235 O-ring.....	6-23	B240200000059 Emergency Button.....	2-7
B230101000356 O-ring.....	7-95	B242200000026 Storage Battery.....	2-3
B230101000414 O-ring.....	6-21	B260401090024 Spanner, Belt.....	11-5
B230101000580 O-ring.....	6-19, 10-19	B260409000015 High Pressure Manual Grease Gun.....	11-5
B230101000709 O-ring.....	6-19, 10-19	SSY004681493 seat installation plate.....	3-25
B230101001119 Dust Ring.....	6-3	SSY004684894 Pipe Nip.....	6-15
B230101001214 O-ring.....	6-23	SSY004695251 connectin grod assembly	6-9, 6-11
B230101001681 Guide Ring.....	6-21	SSY004699351 Dozer Blade.....	10-5
B230101001878 Guide Ring.....	6-19, 10-19	SSY005117927 revolving frame.....	7-3
B230103000074 Hy hose.....		SSY005121077 Coating.....	1-3
1SN6-DKOL-DKOL90-1600Q/SY1102.....	7-67	SSY005130028 shaft sleeve.....	6-7
B230103000158 Rubber hose.....	10-15, 10-17	SSY005130030 shaft sleeve.....	6-3
B230103000256 Rubber hose.....	7-57	SSY005130033 shaft sleeve.....	6-9
B230103000339 Hose Assembly.....	7-57	SSY005434132 Slewing devic.....	1-3
B230103000931 Rubber Hose.....	7-51	SSY005434134 Work Device.....	1-3
1SN10-DKOL-DKOL90-1750.....	7-51	SSY005434139 Electrical system.....	1-3
		SSY005470541 Attached accessories.....	1-3
		SSY005475305 Power System.....	1-3



Белгород

Белгородский р-н, п. Новосадовый,
ул. Перспективная, д.11

Волгоград

Ангарская 178, 2 этаж, каб.6

Воронеж

ул. Дорожная, д. 86

Краснодар

Тахтамукайский район,
пгт. Яблоновский, ул. Ленина, д.39А, оф.201

Липецк

ул. Ковалева, д 123 В

Минеральные Воды

ул. Советская, д. 55

Москва

ул. Соколово-Мещерская, д.25, офис 304А/Б

Республика Крым

г. Симферополь Московское шоссе, 11-й километр, литД, этаж 1

Ростов-на-Дону

г. Батайск, Восточное шоссе, 6Д

Самара

Московское шоссе 20 км (поселок Мехзавод),
строение 33, офис 201а

Саратов

1-й Усть-Курдюмский проезд, д. 2