

Каталог запасных частей

SY80C1Y5LU

Мини-экскаватор

Equipment No. **SY008ACB17898**

wangh2645 2022-02-16

wangh2645 2022-02-16

wangh2645 2022-02-16

wangh2645 2022-02-16

wangh2645 2022-02-16

wangh2645 2022-02-16

wangh2645 2022-02-16

wangh2645 2022-02-16

wangh2645 2022-02-16

wangh2645 2022-02-16

wangh2645 2022-02-16

wangh2645 2022-02-16

Overview

This book provides illustrations and parts listings required to properly identify and order replaceable parts on your Sany machine.

If this book becomes damaged, lost or illegible, request a replacement copy from your Sany distributor.

In case you sell this machine, be sure to give this parts book to the new owner.

Improvements in the design may lead to changes in detail which may not be indicated in this book. Always consult your Sany distributor for the latest available information on your equipment or if you have questions regarding information in this book.

Storing this parts book

This publication applies only to this specific machine and should not be used with any other machines.

Always keep this book available for reference.

Contact Details

Sany Industrial Park, Economic and Technology Development Zone, Kunshan, Jiangsu, China 215300

Service Hotline: 4008 28 2318

E-mail: crd@sany.com.cn

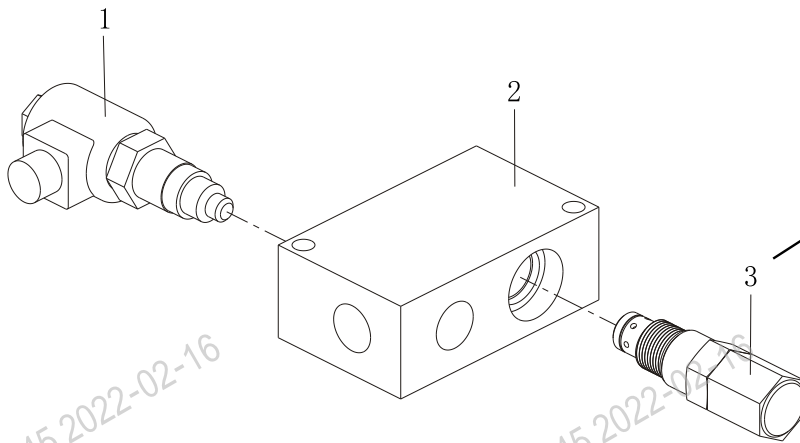
Website: <http://www.sanyglobal.com>

Sany Group Service Information System

<http://sis.sanygroup.com>

A810201021318 Switch Valve Assembly

Page header with parts code, and parts description



Line-art illustration with
callout numbers

Page footer with page number, chapter title, machine model and product name

A810201021318 Switch Valve Assembly

Page header with parts code, and parts description

INDEX: that matches
callout numbers on previous
illustration page

SEE PAGE: for page information
of the part or assembly

INDEX	PART NO.	DESCRIPTION	QTY	SEE PAGE
1	B220401000459	Valve Assembly, Solenoid	1	
2	A820103010415	Change Valve Block, Cooling Oil Motor	1	
3	B220400000083	Relief Valve	1	

PART NO.: to be used along
with DESCRIPTION to identify
the part or assembly

DESCRIPTION: to be used
along with PART NO. to
identify the part or assembly

QTY: it indicates the
number of each part
used in this assembly

Page footer with page number, chapter title, machine model and product name

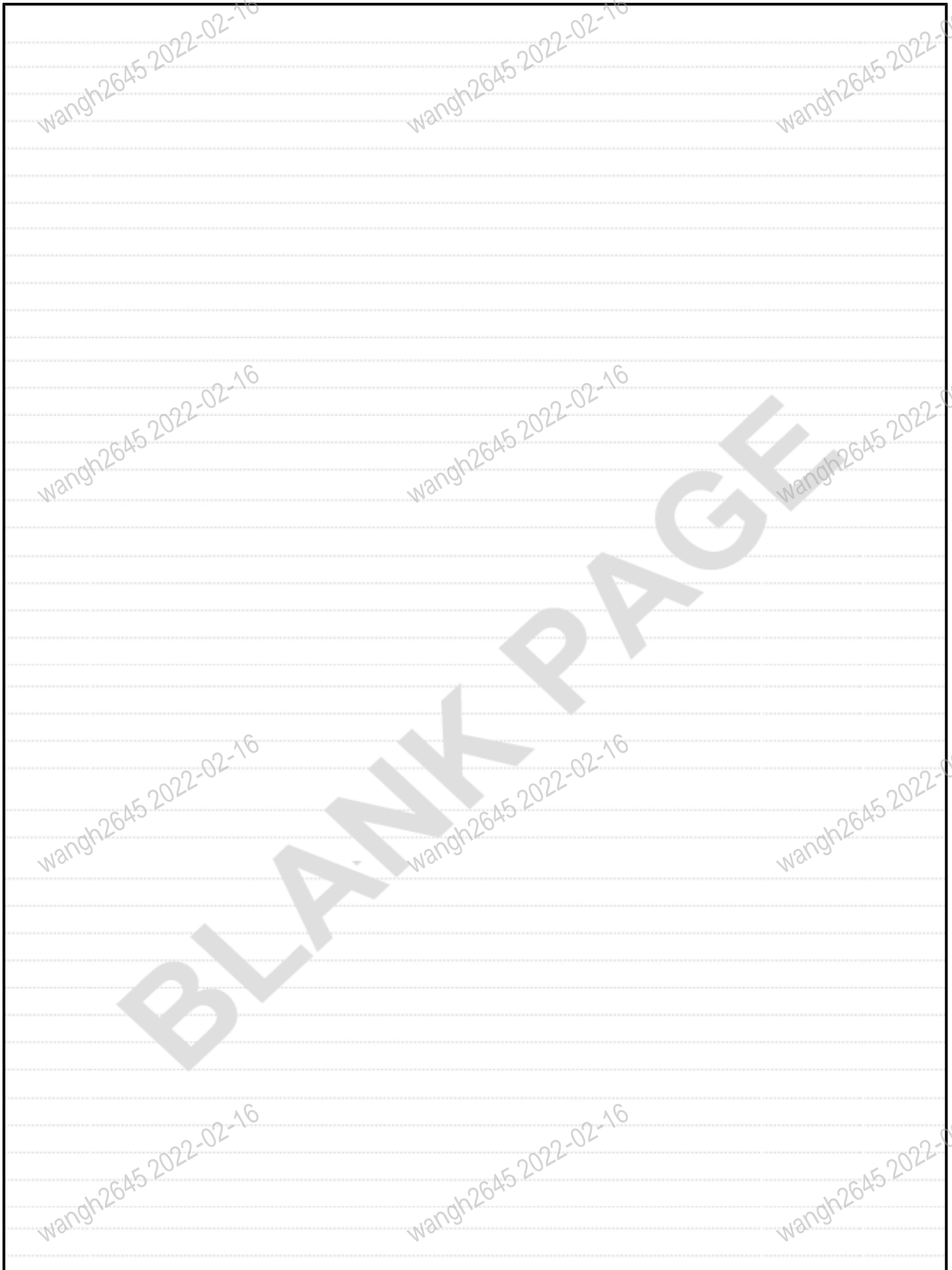


Table of Contents

Group 1 SY80C1Y5LU Hydraulic Excavator	1-1
SSY100000089 SY80C1Y5LU Hydraulic Excavator.....	1-2
Group 2 coating.....	2-1
coating	2-2
Group 3 Arm.....	3-1
SSY005009540 Arm.....	3-2
Group 4 Lines GP, hydraulic, auxiliary	4-1
Lines GP, hydraulic, auxiliary	4-2
14277748 Bulldozing shovel oil cylinder	4-8
14274047 Cylinder, arm.....	4-10
14271234 Bucket Oil Cylinder	4-12
Group 5 Work device	5-1
Work device	5-2
SSY004897428 support.....	5-10
SSY005034347 Boom	5-12
10468495 Bucket Assembly.....	5-14
14148558 Connecting Rod.....	5-16
Group 6 Cab assembly	6-1
Cab assembly.....	6-2
seat and control cabinet.....	6-4
130904000019A armrest box.....	6-6
130904000020A armrest box.....	6-8
14263767 left travel control lever assembly	6-10
14263768 right travel control lever assembly	6-12
Bottom board rack.....	6-14
13603246 Pendulum Pedal Assembly.....	6-16
61026462 Cab assembly	6-18
130988000387A Door assembly	6-26
130988000399A Front Sliding Window	6-28
60166748 Rearview	6-30
130988000391A Windscreen wiper assembly	6-32
130988000369A Internal decoration assembly.....	6-34
130988000361A Vane assembly	6-36
Group 7 Cover group.....	7-1

Cover group	7-2
14408722 Bracket AS	7-6
14408822 Cover AS, upper	7-8
SSY006687049 Door, GP, right	7-10
14408688 Engine hood AS	7-12
14408510 front cover	7-14
Group 8 Superstructure Assembly	8-1
Superstructure Assembly	8-2
sealing board assembly	8-4
Air Condition	8-8
61028836 Air Condition	8-10
141501000112A001 Evaporator	8-12
Pilot Pipeline	8-14
60354496 Pilot-control Valve	8-58
150505010074A Pilot-control Valve	8-60
60342181 Electromagnetic Reversal Valve	8-62
150401030033A Spool	8-64
60211330 Filter	8-66
60281974 Pilot Valve	8-68
150505020014A Foot-Op. Pilot Valve	8-70
152301000023A Proportional Electromagnetic Valve	8-76
Pilot Pipeline I	8-78
hydraulic main pipeline	8-80
150101090016A Plunger Pump	8-96
150601080013A Valve, control	8-98
150688000405A Inlet assy	8-100
150688000406A Boom section assy	8-102
150688000407A Bucket section assy	8-104
150688000408A Arm section assy	8-106
150688000409A Boom Swing Assy	8-108
150688000410A Aux section assy	8-110
150688000411A Aux section assy	8-112
150688000412A Travel section assy	8-114
150688000413A Travel section assy	8-116
150688000414A Dozer section assy	8-118
150688000415A Slewing section assy	8-120
150688000416A Out section assy	8-122
60241302 Reducer Assembly	8-124
60255074 Swing Drive	8-126
60255075 Swing Reducer	8-130
14287718 Hydraulic Fuel Tank Assy	8-132
14272136 Bulldozing shovel oil cylinder	8-134
60237031 Hydraulic Tank Breather Filter	8-136
Counterweight	8-138

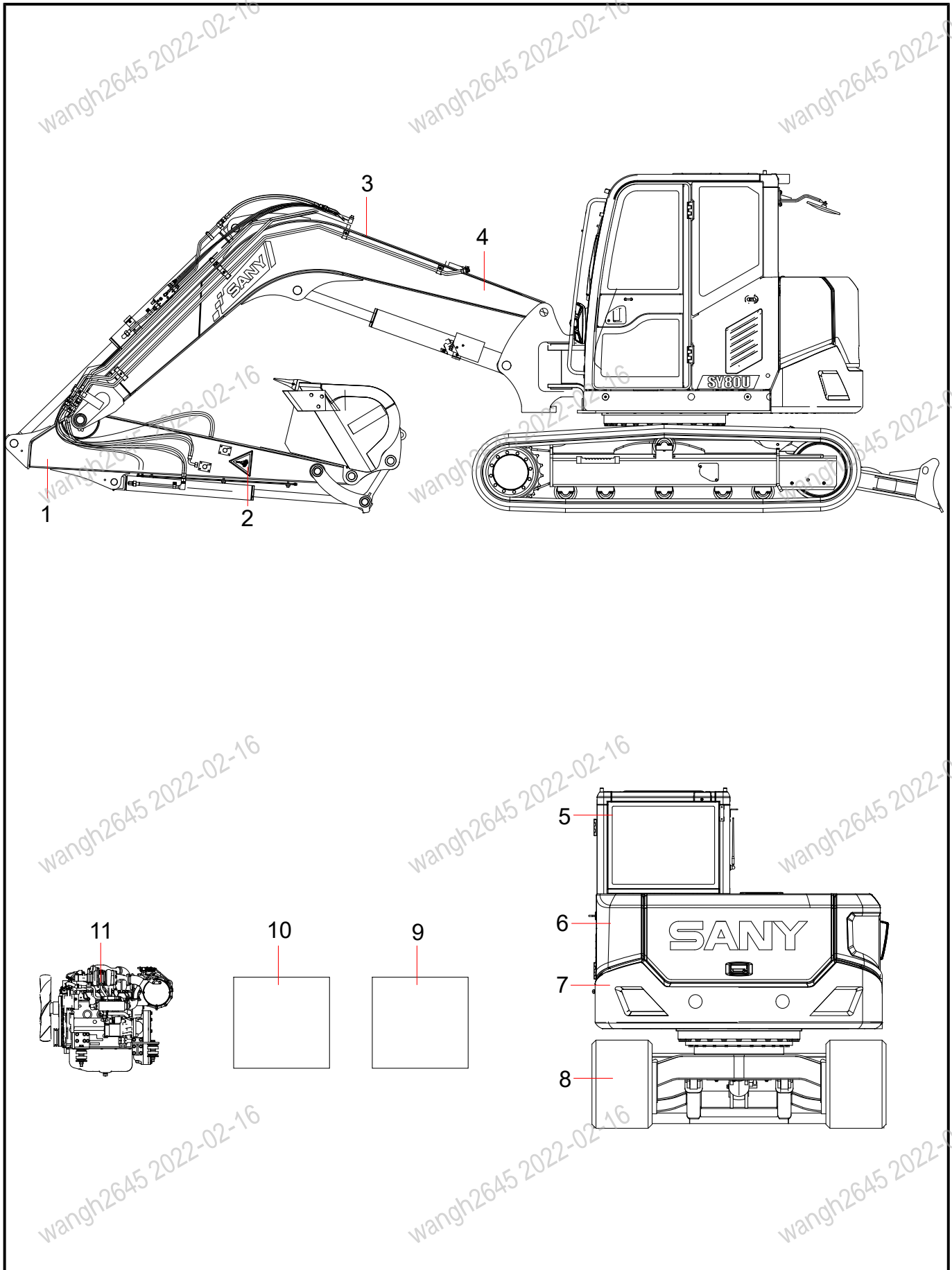
Group 9 Traveling system	9-1
Traveling system	9-2
SSY004726777 Dozer Blade Assembly	9-8
HZZ004698661 slewing ring	9-10
61029600 Tensioning Equipment	9-12
Group 10 ELECTRICAL SYSTEM.....	10-1
ELECTRICAL SYSTEM.....	10-2
Group 11 Accessories	11-1
Accessories	11-2
14042474 Accompanying Tools.....	11-4
A290000000155 Portable Toolbox.....	11-6
Group 12 Power system	12-1
Power system	12-2
Cooling system.....	12-4
air intake& exhaust system	12-6
fuel system.....	12-8
14282339 fuel tank	12-10
Fill pump system	12-12
transmission & shock mitigation system	12-14



Group 1

SY80C1Y5LU Hydraulic Excavator

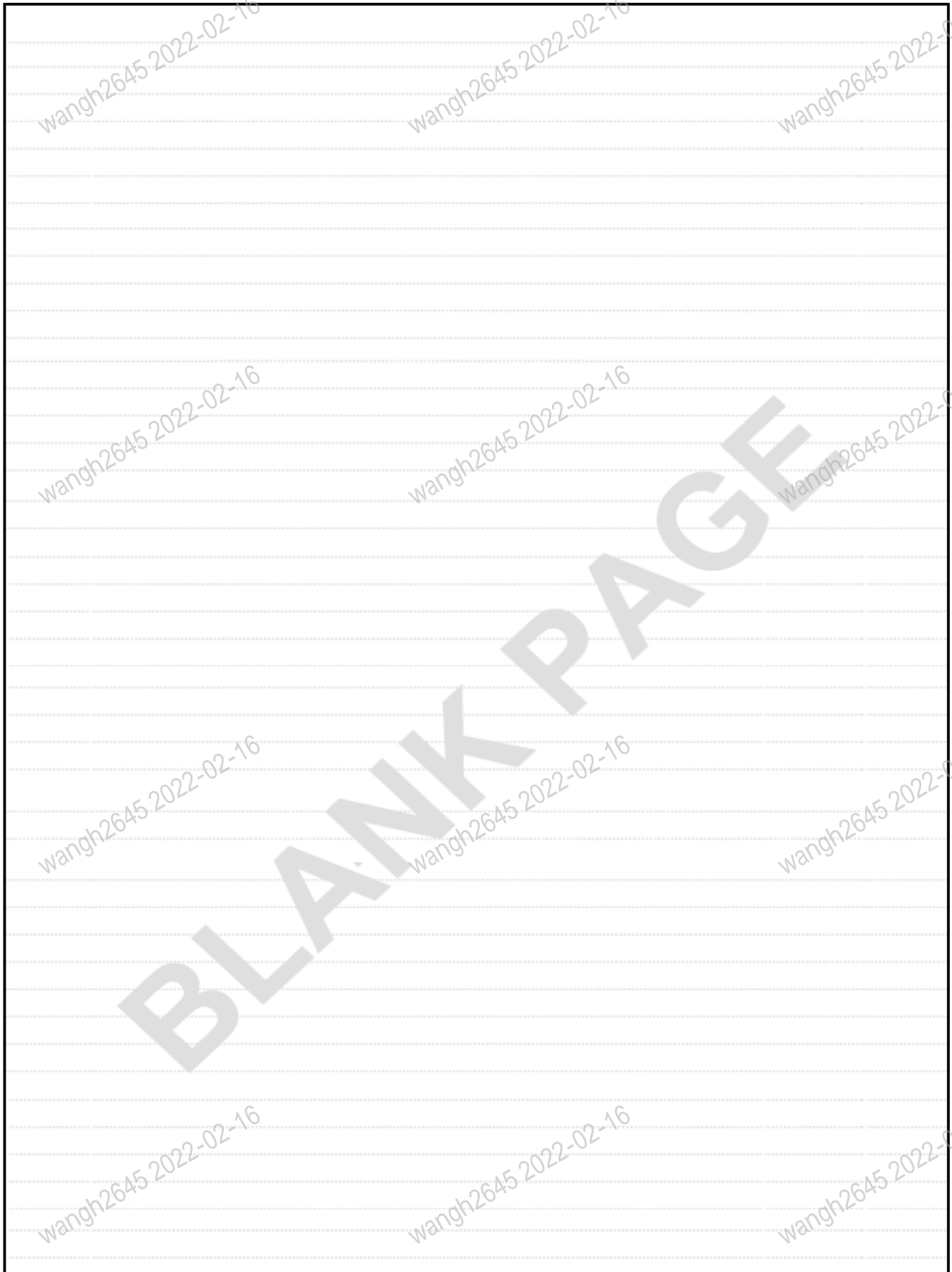
SSY10000089 SY80C1Y5LU Hydraulic Excavator



SSY100000089 SY80C1Y5LU Hydraulic Excavator

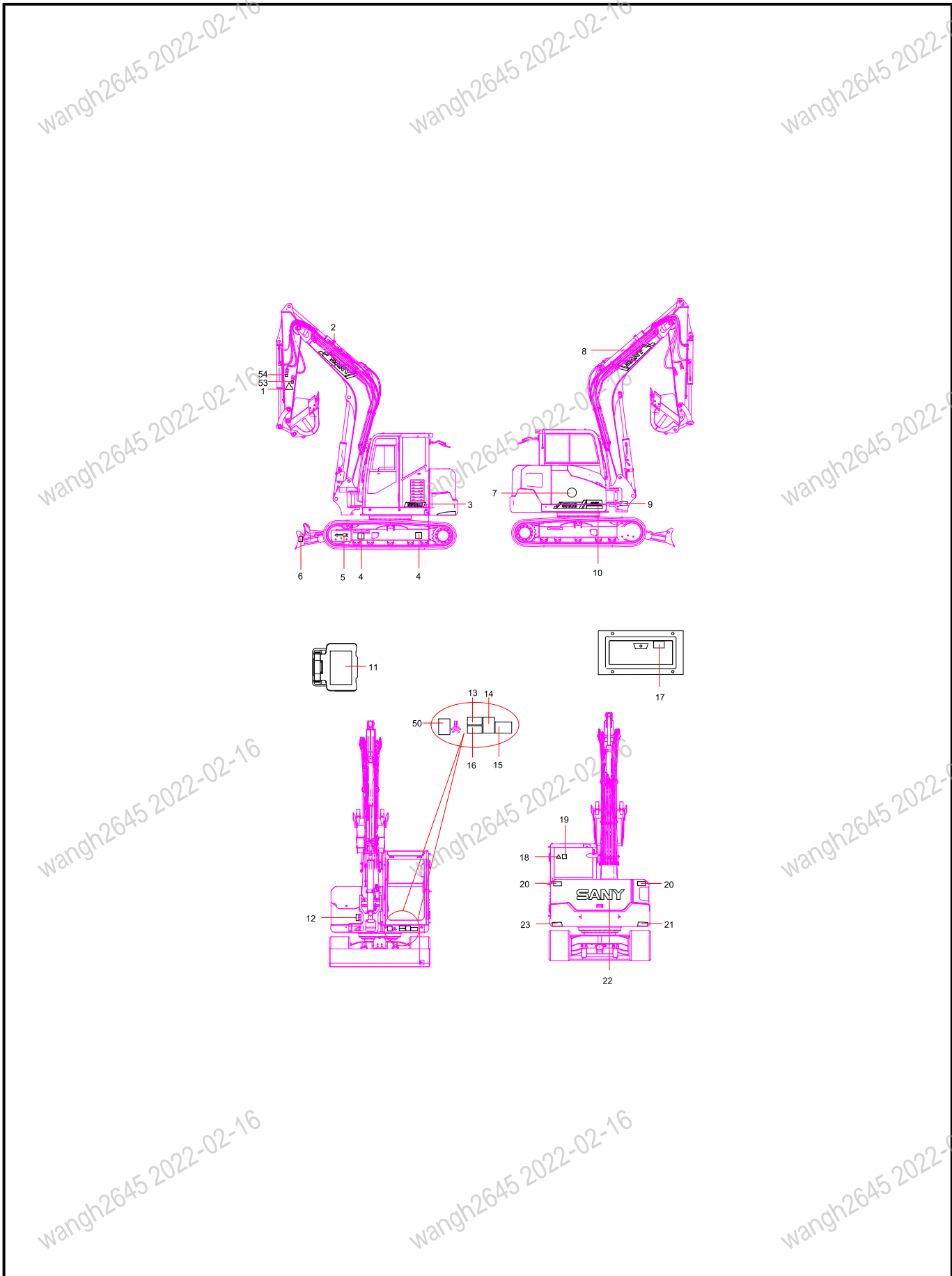
INDEX	PART NO.	DESCRIPTION	QTY	SEE PAGE
1		coating	1	2-2
2	SSY005009540	Arm	1	3-2
3		Lines GP, hydraulic, auxiliary	1	4-2
4		Work device	1	5-2
5		Cab assembly	1	6-2
6		Cover group	1	7-2
7		Superstructure Assembly	1	8-2
8		Traveling system	1	9-2
9		ELECTRICAL SYSTEM	1	10-2
10		Accessories	1	11-2
11		Power system	1	12-2

SSY10000089 SY80C1Y5LU Hydraulic Excavator



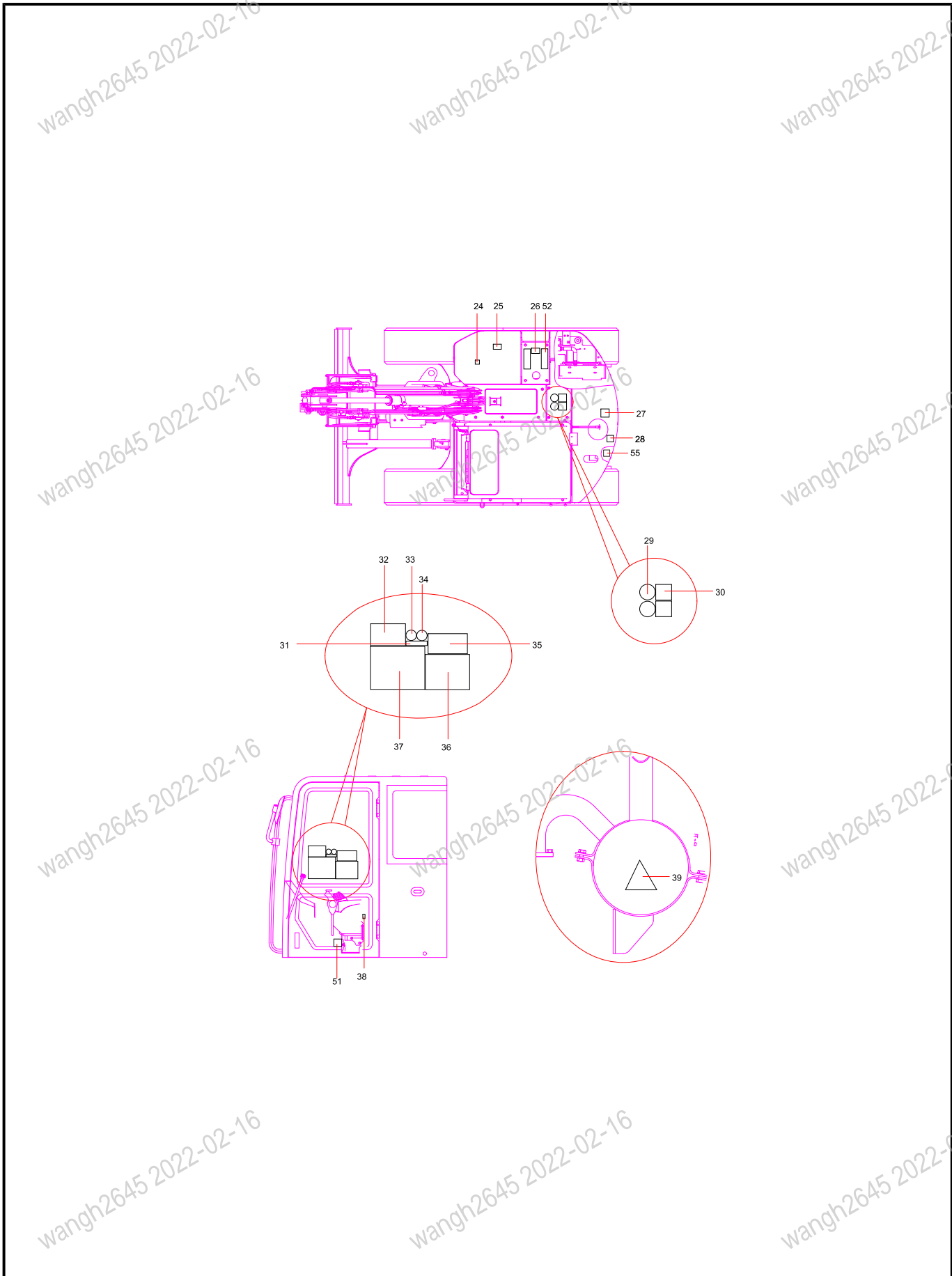
Group 2 coating

coating (1/3)



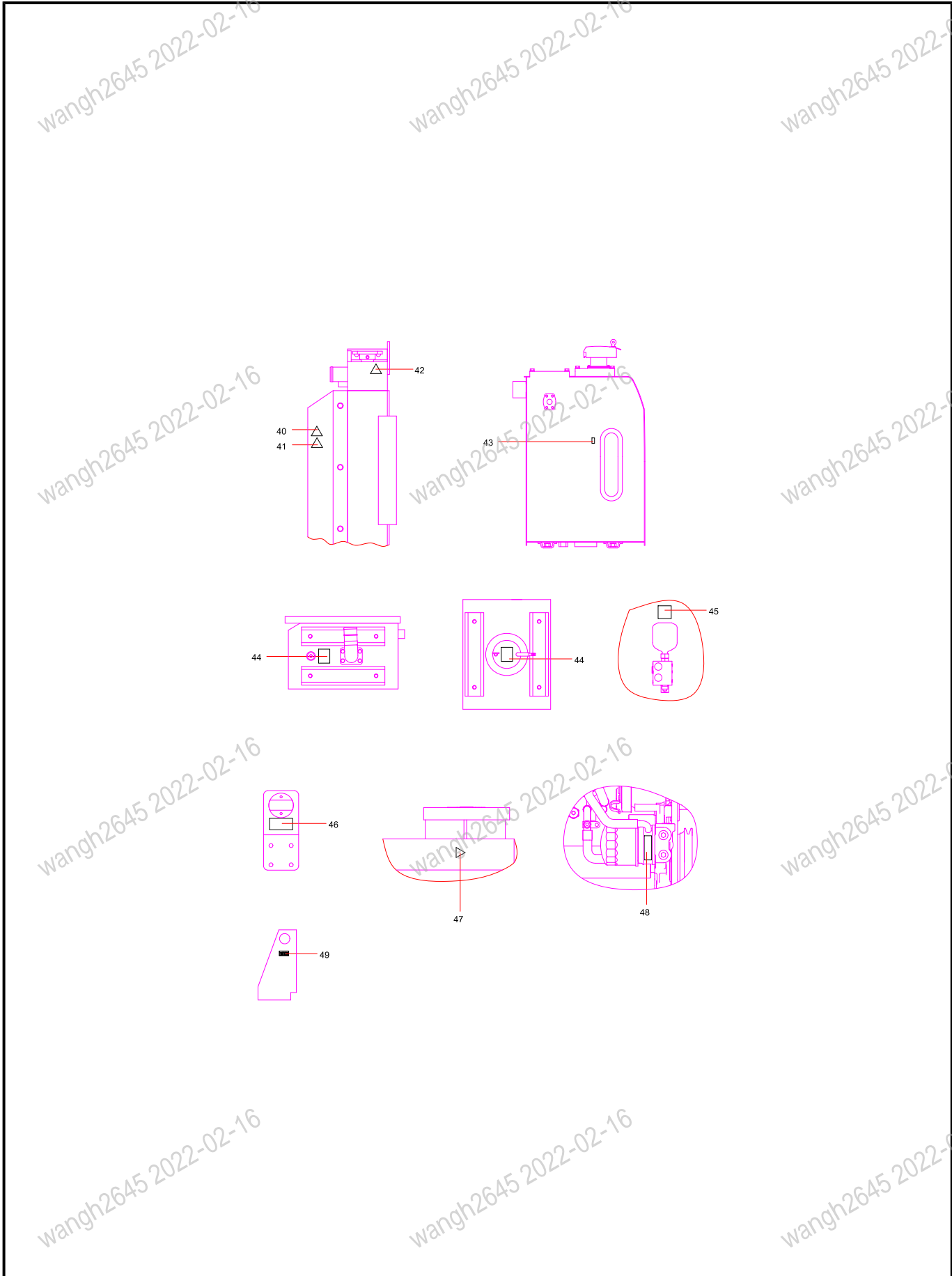
INDEX	PART NO.	DESCRIPTION	QTY	SEE PAGE
1	13166292	Hanging Pieces Caution	2	
2	13793488	Left Boom Marking	1	
3	14296633	coating	1	
4	12052085	Fixed Loading Spot Mark	4	
5	A820603000246	Forward Direction Indication	2	
6	12052087	Mark Diagram of Hook Point	4	
7	13805059	Environmental-protect Decorating Marking	1	
8	13793494	Boom Right Marking	1	
9	14423862	Boom swing joint warning board	1	
10	14296571	coating	1	
11	13156069	Foot Pedal Mark Decal	1	
12	14421504	integrated grease mark	1	
13	13834945	Name Plate	1	
14	10385320	Noise Marker	1	
15	14416521	Lifting Mark	1	
16	13834946	Name Plate	1	
17	13166512	Seat Adjustment Instruction	1	
18	13166754	Overhead Obstacle Caution	1	
19	13166419	Safety Exit Lable	1	
20	A820601991049	Counterweight Warning Board	2	
21	14424256	counterweight right reflective coating	1	
22	12880603	Counterweight Marking	1	
23	14424253	counterweight left reflective coating	1	
50	SSY005088792	FOPS & ROPS Card	1	
53	SSY005683556	auxiliary piping coating 1	2	
54	SSY005683582	auxiliary piping coating 2	2	

coating (2/3)



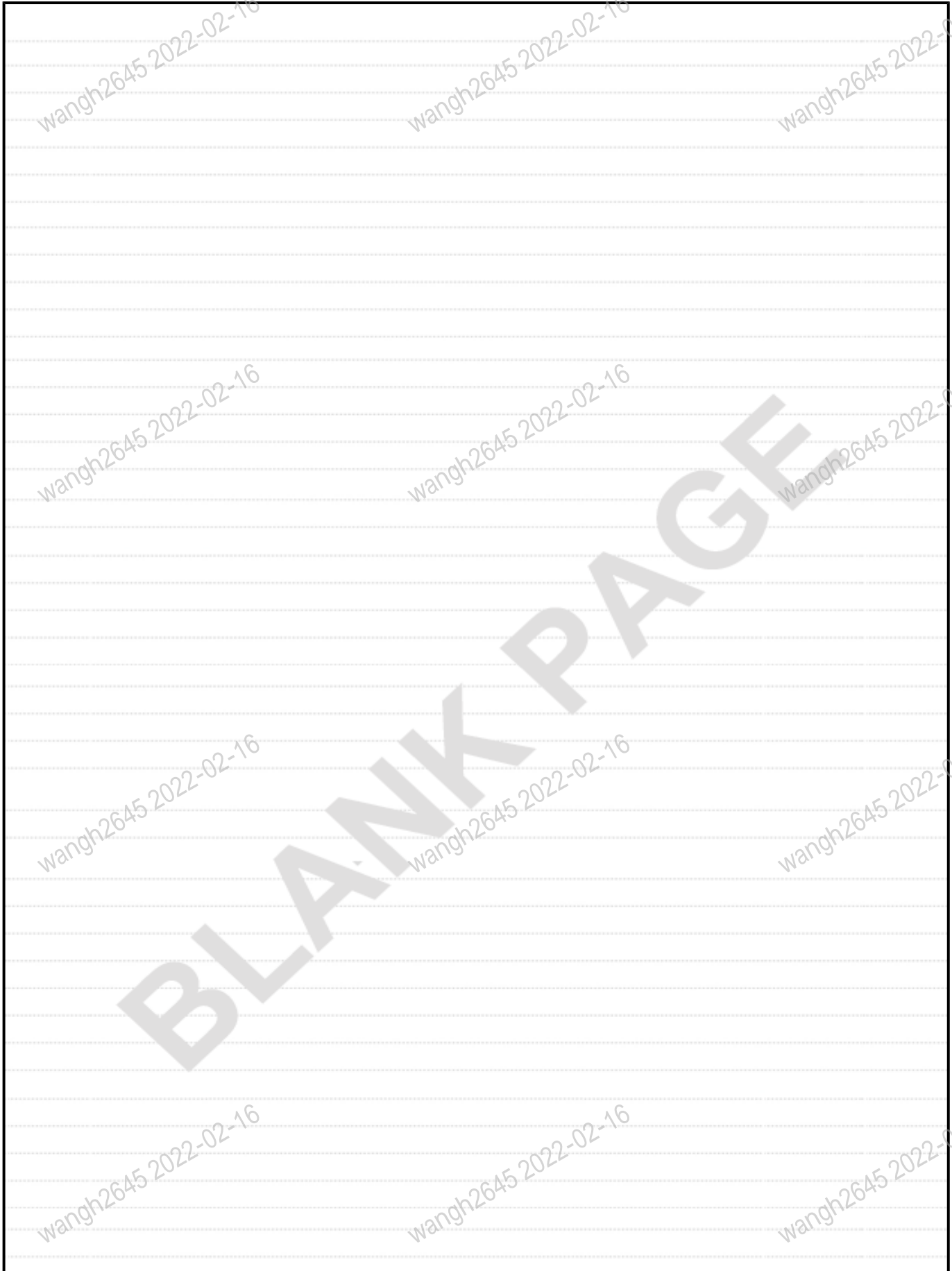
INDEX	PART NO.	DESCRIPTION	QTY	SEE PAGE
24	14404961	Pipeline change mark	1	
25	14415842	Decal	1	
26	13272748	Hydraulic Oil Tank Indicative Board	1	
27	13166678	Protective Glasses Lable	1	
28	12033810	No Trample Nameplate	2	
29	A820101050797	Decal, Danger, Smoke Or Fire Forbidden	1	
30	13166694	Gloves Lable	1	
31	SSY005288112	Control Indicating Board of Bulldozing Shovel	1	
32	14174859	Decal	1	
33	13507743	Read Manual Decal	1	
34	13507746	Seat Safety Caution Board Decal	1	
35	A820601990961	Decal Instruction Operation	1	
36	13166449	Lubricating graphic chart	1	
37	14342999	lift Meter	1	
38	13155987	Leading Switch Mark Decal	1	
39	13507584	High Temperature Warning Decal	1	
51	13504946	Emergency Stop Switch Decal	1	
52	11133578	Antiskid Paste	2	
55	13166450	Oil-water Separator Drain	1	

coating (3/3)



INDEX	PART NO.	DESCRIPTION	QTY	SEE PAGE
40	13507565	Fan Warning Decal	1	
41	13507822	Counter Rotating Rollers Decal	1	
42	13509503	Be Care of Steam Decal	1	
43	13507828	Oil Level Label	1	
44	A820601990929	Decal, Drain, Fuel Tank	2	
45	13166740	Accumulator Decal	1	
46	13166770	Machine Marking	1	
47	13507767	Power Sign Decal	1	
48	13987917	The direction of oil filter bottom	1	
49	14550717	fuel mark	1	

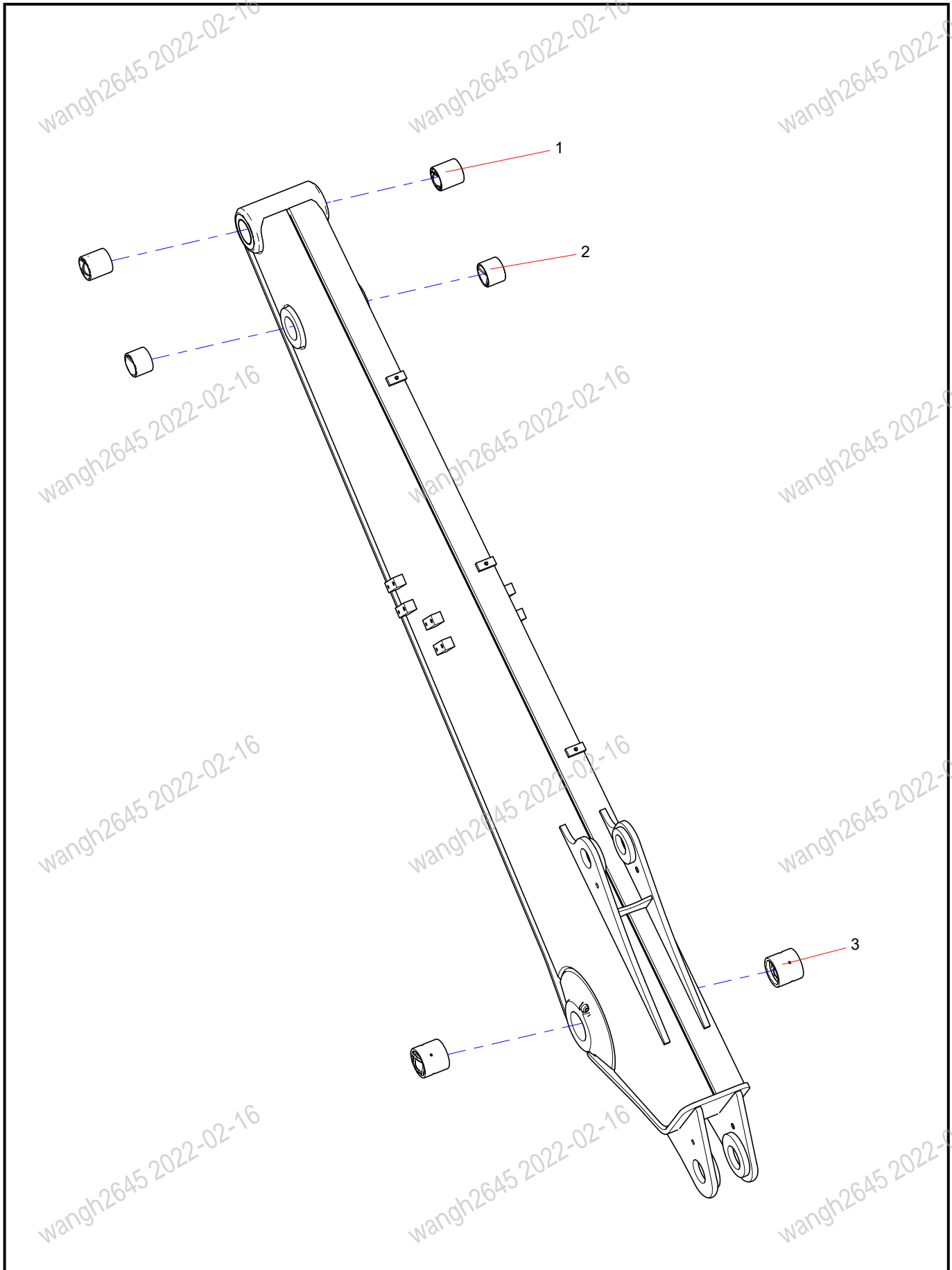
coating (3/3)



Group 3

Arm

SSY005009540 Arm



3-2 Arm

SY80C1Y5LU

INDEX	PART NO.	DESCRIPTION	QTY	SEE PAGE
1	13370484	Shaft Sleeve	2	
2	A820202005320	Shaft Sleeve	2	
3	A820202005319	Shaft Sleeve	2	

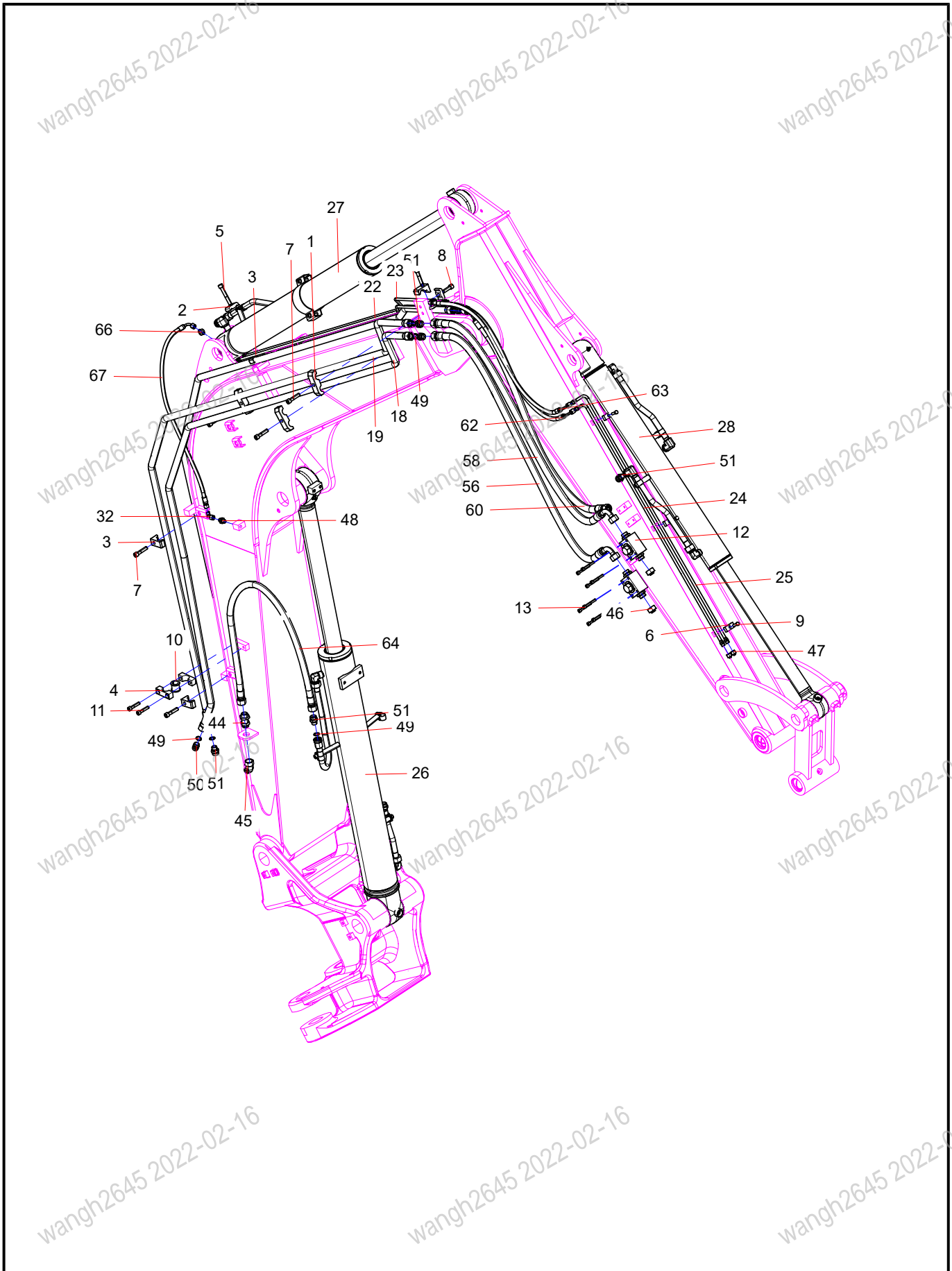
SSY005009540 Arm



Group 4

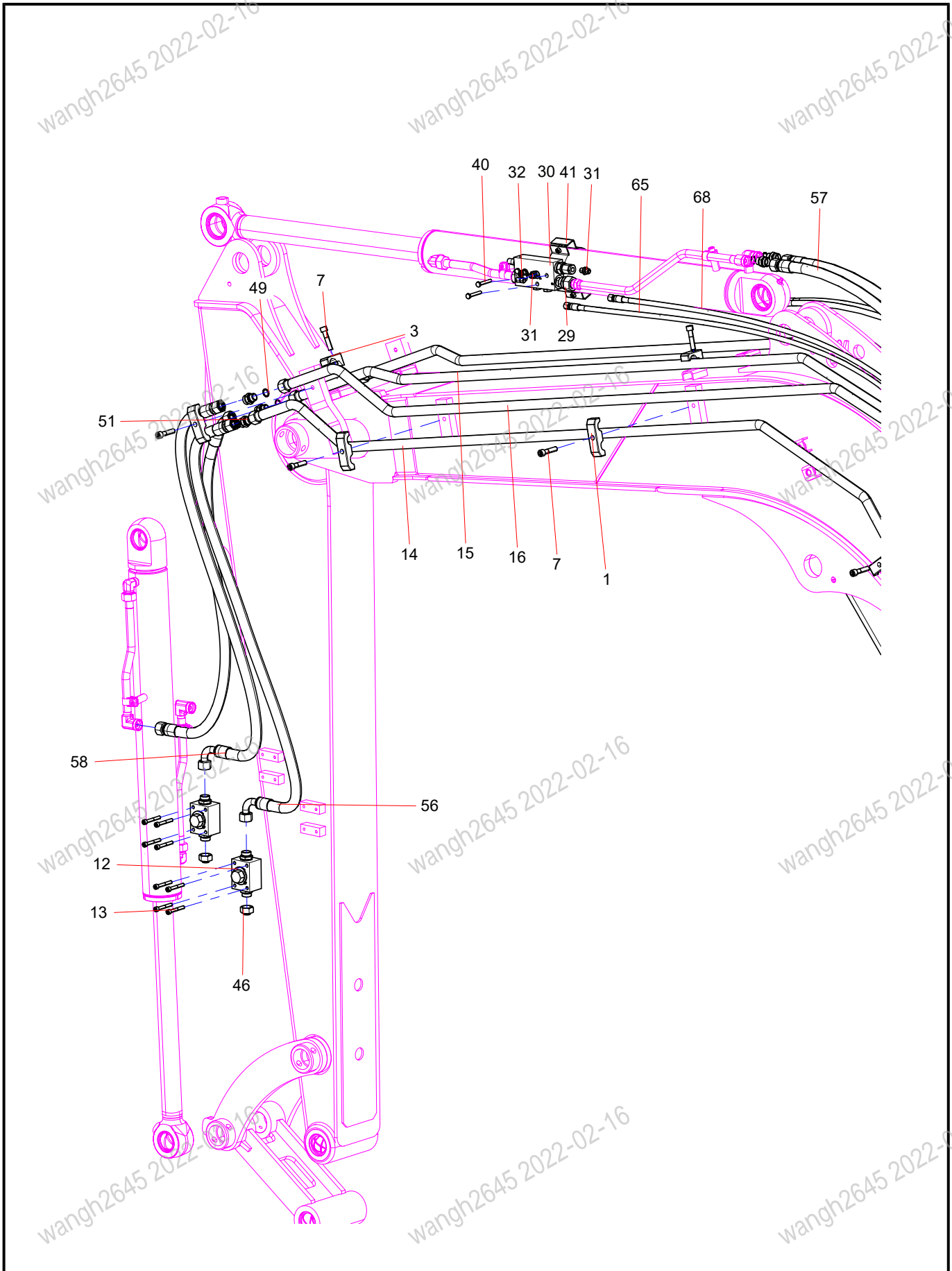
Lines GP, hydraulic, auxiliary

Lines GP, hydraulic, auxiliary (1/3)



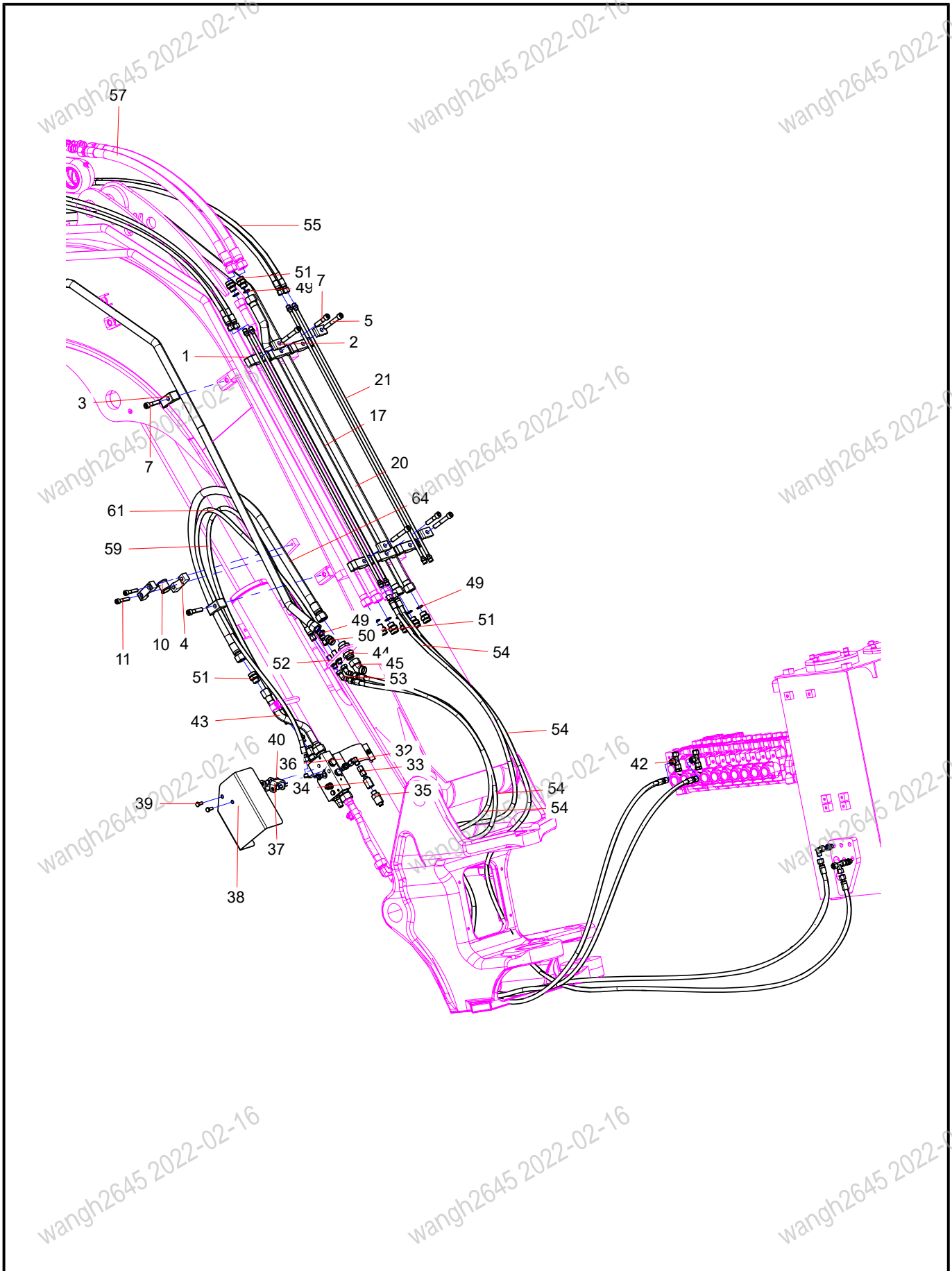
INDEX	PART NO.	DESCRIPTION	QTY	SEE PAGE
1	12615673	clamp	12	
2	14364652	Steel pipe	6	
3	12615674	clamp	8	
4	11664307	Mounting Block	4	
5	A210204000360	Screw	5	
6	13908271	Clamp	3	
7	21027533	Screw	15	
8	A210204000338	Screw	1	
9	A210111000293	Bolt	3	
10	A820202005473	Clamp, Pipe, Rubber	2	
11	A210204000356	Screw	4	
12	60246485	High Pressure Ball Valve	4	
13	A210204000342	Screw	16	
18	14284202	Steel tube assy	1	
19	14284007	Steel tube assy	1	
22	14281800	Steel tube assy	1	
23	14283733	Steel tube assy	1	
24	13320917	Steel Pipe	1	
25	13320921	Steel Pipe	1	
26	14277748	Bulldozing shovel oil cylinder	1	4-8
27	14274047	Cylinder, arm	1	4-10
28	14271234	Bucket Oil Cylinder	1	4-12
32	B210780000418	Elbow Combination Connector	5	
44	B210780000157	Bulkhead Connector	2	
45	60165875	Pipe Fittings	2	
46	21023883	Plug	4	
47	21023881	Screw Plug	2	
48	23000531	Fitting	1	
49	B230101000090	O-ring	22	
50	21002822	Fitting	2	
51	21002824	Pipe Connector	20	
56	151006160075B	Hose AS	2	
58	151006160074B	Hose AS	2	
60	151006160076B	Hose AS	2	
62	151002160054B	Hose AS	1	
63	151002160053B	Hose AS	1	
64	151006160009	Rubber Hose	2	
66	A820205000858	Fitting	1	
67	B230103003046	Rubber Hose	1	

Lines GP, hydraulic, auxiliary (2/3)



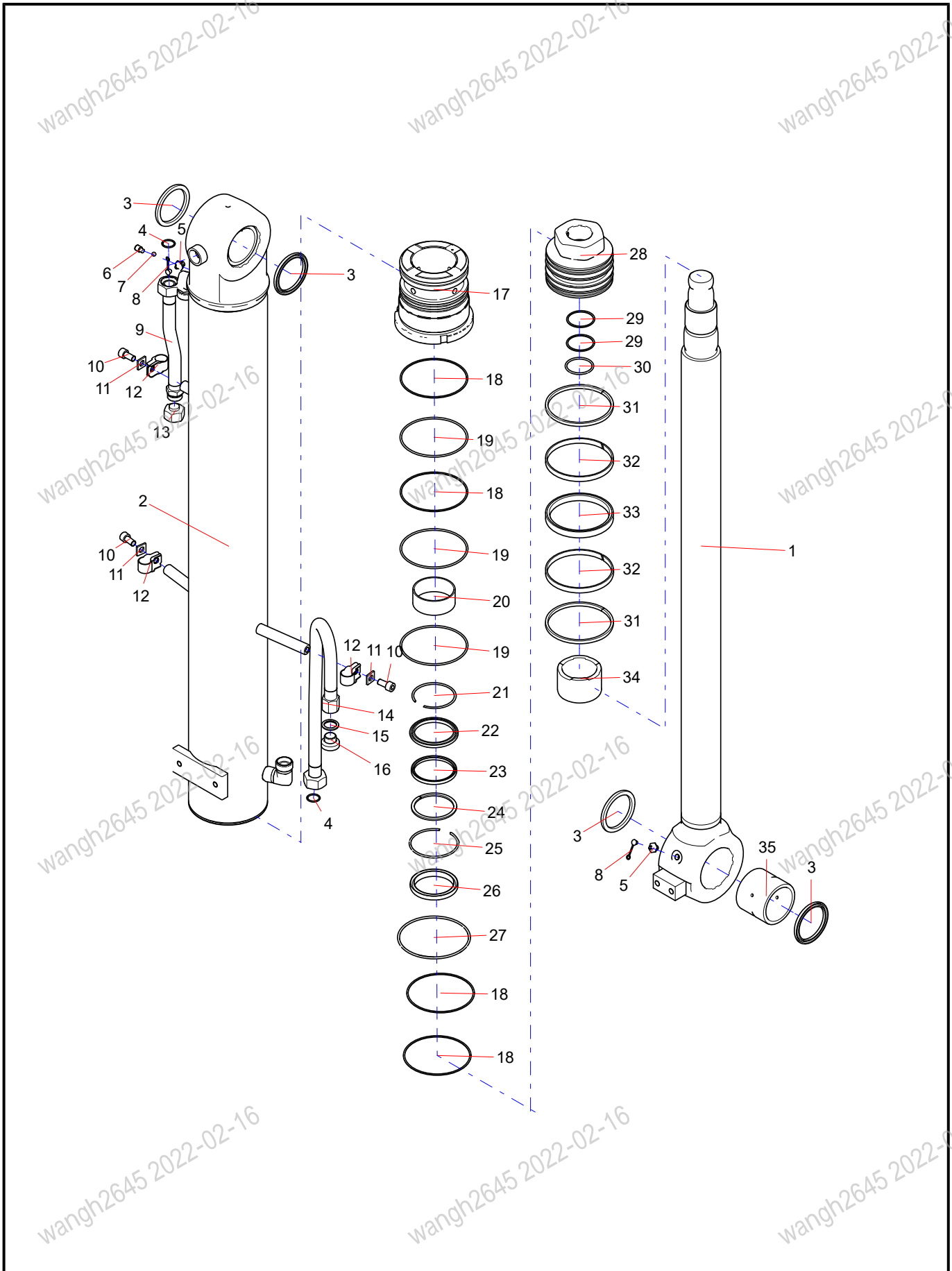
INDEX	PART NO.	DESCRIPTION	QTY	SEE PAGE
1	12615673	clamp	12	
3	12615674	clamp	8	
7	21027533	Screw	15	
12	60246485	High Pressure Ball Valve	4	
13	A210204000342	Screw	16	
14	14282934	Steel tube assy	1	
15	14281750	Steel tube assy	1	
16	14281877	Steel tube assy	1	
29	21005568	End Straight Connector	4	
30	61000539	Check And Metering Valve	2	
31	B210780000176	Fitting	7	
32	B210780000418	Elbow Combination Connector	5	
40	A210111000094	Bolt	4	
41	14279632	Hoop	1	
46	21023883	Plug	4	
49	B230101000090	O-ring	22	
51	21002824	Pipe Connector	20	
55	61029443	Rubber Hose	2	
56	151006160075B	Hose AS	2	
57	61029461	Rubber Hose	2	
58	151006160074B	Hose AS	2	
65	60209359	Rubber Hose	1	
68	61010369	Rubber Hose	1	

Lines GP, hydraulic, auxiliary (3/3)



INDEX	PART NO.	DESCRIPTION	QTY	SEE PAGE
1	12615673	clamp	12	
2	14364652	Steel pipe	6	
3	12615674	clamp	8	
4	11664307	Mounting Block	4	
5	A210204000360	Screw	5	
7	21027533	Screw	15	
10	A820202005473	Clamp, Pipe, Rubber	2	
11	A210204000356	Screw	4	
14	14282934	Steel tube assy	1	
15	14281750	Steel tube assy	1	
16	14281877	Steel tube assy	1	
17	14281652	Steel tube assy	2	
20	14283727	Steel tube assy	1	
21	14281903	Steel tube	4	
32	B210780000418	Elbow Combination Connector	5	
33	B210780001045	Fitting Components	1	
34	A820205001061	Pressure Sensor Connector	1	
35	60114799	Pressure Sensor	1	
36	14279076	Hoop	1	
37	14239099	Plate	2	
38	14239093	Plate	1	
39	A210111000343	Bolt	2	
40	A210111000094	Bolt	4	
42	B210780000170	Three Way Combination Joint	3	
43	14320715	Steel tube assy	1	
44	B210780000157	Bulkhead Connector	2	
45	60165875	Pipe Fittings	2	
49	B230101000090	O-ring	22	
50	21002822	Fitting	2	
51	21002824	Pipe Connector	20	
52	B210780000195	Bulkhead Connector	2	
53	A229900010160	Pipe Connector	2	
54	151002160005	Rubber Hose	4	
55	61029443	Rubber Hose	2	
57	61029461	Rubber Hose	2	
59	61010372	Rubber Hose	1	
61	151002160021A	Rubber Hose	1	
64	151006160009	Rubber Hose	2	
65	60209359	Rubber Hose	1	
68	61010369	Rubber Hose	1	

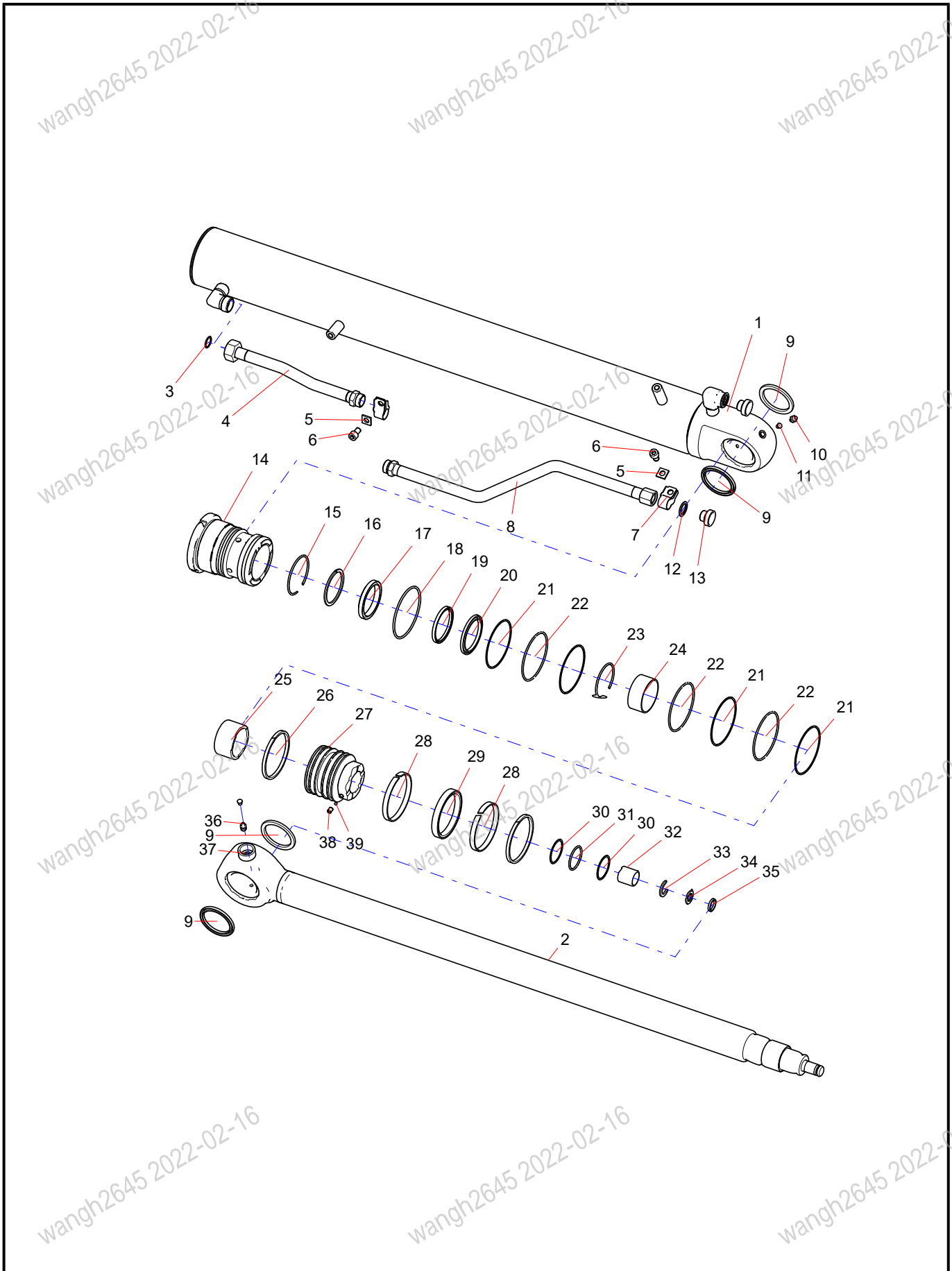
14277748 Bulldozing shovel oil cylinder



14277748 Bulldozing shovel oil cylinder

INDEX	PART NO.	DESCRIPTION	QTY	SEE PAGE
1	14277752	Piston Rod	1	
2	14277754	Cylinder Assem.	1	
3	60215140	dust ring	4	
4	60000846	O-ring	2	
5	A229900010158	Oil Cup	2	
6	A210208000008	Screw	1	
7	A880899030000	Steel Ball	1	
8	A290000002660	Nozzle Universal Protective Cap	2	
9	14277762	Oil Pipe Component	1	
10	A210204000196	Screw	3	
11	13039393	Washer	3	
12	11647963	Pipe Clamp	3	
13	60235514	Taper Hole Plug	1	
14	14321900	Oil Pipe Component	1	
15	A210434000011	Washer	1	
16	13203130	Screw Plug G1/2	1	
17	14277747	Guide Sleeve	1	
18	13254937	Retainer Ring	4	
19	A210608000012	O-ring	3	
20	A880809020008	Bushing	1	
21	A210417000075	Retainer Ring	1	
22	60084612	Seal ring	1	
23	60107394	Seal ring	1	
24	61023521	GBRT2 Retaining Ring	1	
25	A210417000103	Retainer Ring	1	
26	60136782	Dust ring	1	
27	A210609000123	O-ring	1	
28	14277746	Piston	1	
29	13254956	Retaining Ring	2	
30	A210608000074	O-ring	1	
31	60192128	UP Dust Seal	2	
32	60192116	UP Guide Ring	2	
33	60250374	CST Seal Ring	1	
34	12568230	Bumper Sleeve	1	
35	14295421	bush	1	

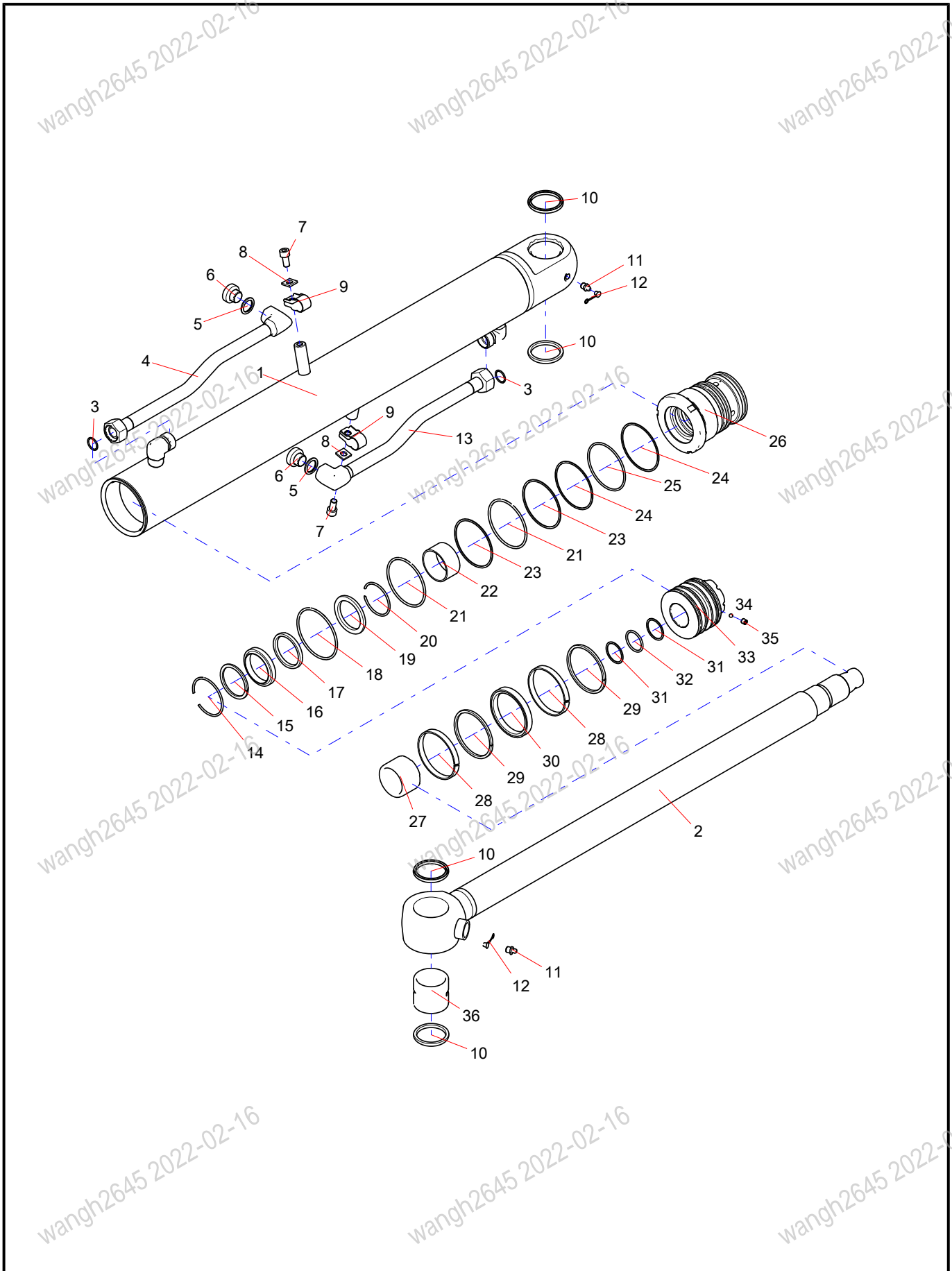
14274047 Cylinder, arm



14274047 Cylinder, arm

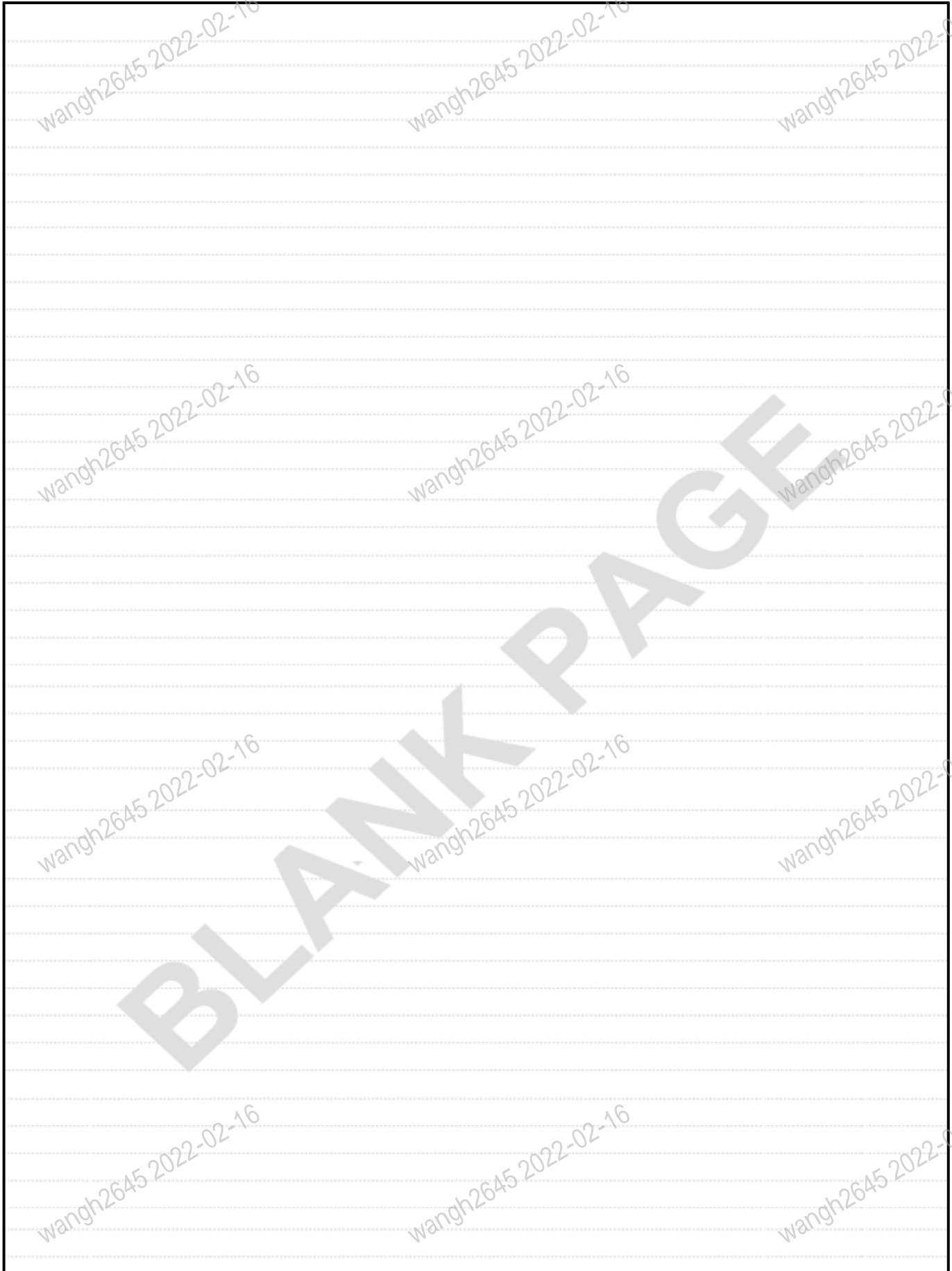
INDEX	PART NO.	DESCRIPTION	QTY	SEE PAGE
1	14274052	Cylinder Assem.	1	
2	14274050	Rod	1	
3	60000846	O-ring	1	
4	14274056	Oil Pipe Component	1	
5	13039393	Washer	2	
6	A210204000202	Screw	2	
7	11647963	Pipe Clamp	2	
8	14274058	Oil Pipe Component	1	
9	60215139	dust ring	4	
10	A880899010003	Straight-through Pressure Oil Cup	1	
11	A290000001564	Nozzle Protective Cap	2	
12	A210434000011	Washer	2	
13	13203130	Screw Plug G1/2	2	
14	13275952	Guide Sleeve	1	
15	A210417000006	Retainer Ring	1	
16	151499000027A	Retaining Ring	1	
17	60136781	DKBZ3 Dust Ring	1	
18	24000548	O-ring	1	
19	60072118	IUH Seal Ring	1	
20	60084610	HBV Seal Ring	1	
21	13254933	Retaining Ring	4	
22	A210608000002	O-ring	3	
23	A880804040052	Retainer Ring	1	
24	A880809020009	Bushing	1	
25	SYG005099839	Bumper Sleeve	1	
26	60192122	UP Dust Seal	2	
27	13312229	Piston	1	
28	151401040548A	JT Guide Ring	2	
29	60250370	seal ring	1	
30	13254956	Retaining Ring	2	
31	A210608000074	O-ring	1	
32	11473425	buffer sleeve	1	
33	11473393	Retaining Ring	1	
34	11473426	lock key	1	
35	11623219	Retaining Ring	1	
36	A210804000002	Oil Cup	1	
37	14552719	shaft sleeve	1	
38	A210206000003	Screw	1	
39	A210661000016	Steel Ball	1	

14271234 Bucket Oil Cylinder



INDEX	PART NO.	DESCRIPTION	QTY	SEE PAGE
1	14271238	Cylinder Assem.	1	
2	14271236	Piston Rod	1	
3	60000846	O-ring	2	
4	11473971	Oil Pipe Component	1	
5	A210434000011	Washer	2	
6	13203130	Screw Plug G1/2	2	
7	A210204000196	Screw	2	
8	13039393	Washer	2	
9	11647963	Pipe Clamp	2	
10	60215138	dust ring	4	
11	A210804000002	Oil Cup	2	
12	A290000002660	Nozzle Universal Protective Cap	2	
13	11473973	Oil Pipe Component	1	
14	A880804040052	Retainer Ring	1	
15	151499000026A	Retaining Ring	1	
16	60183934	Dust Ring	1	
17	60035791	Seal Ring	1	
18	A210608000093	O-ring	1	
19	B230101002165	Seal Ring	1	
20	A210417000109	Retainer Ring	1	
21	A210609000166	O-ring	2	
22	B230101002163	Oil-Bearing Bush	1	
23	10250784	Retainer Ring	2	
24	13254964	Retaining Ring	2	
25	B230101000039	O-ring	1	
26	13116311	Guide Sleeve	1	
27	11699688	Bumper Sleeve	1	
28	60192112	UP Guide Ring	2	
29	60192125	Anti-pollution loop	2	
30	60250368	CST Seal Ring	1	
31	13254954	Retaining Ring	2	
32	A210608000068	O-ring	1	
33	13107721	Piston	1	
34	24001153	Steel Ball	1	
35	A880801010041	Center Swivel Joint	1	
36	14552720	shaft sleeve	1	

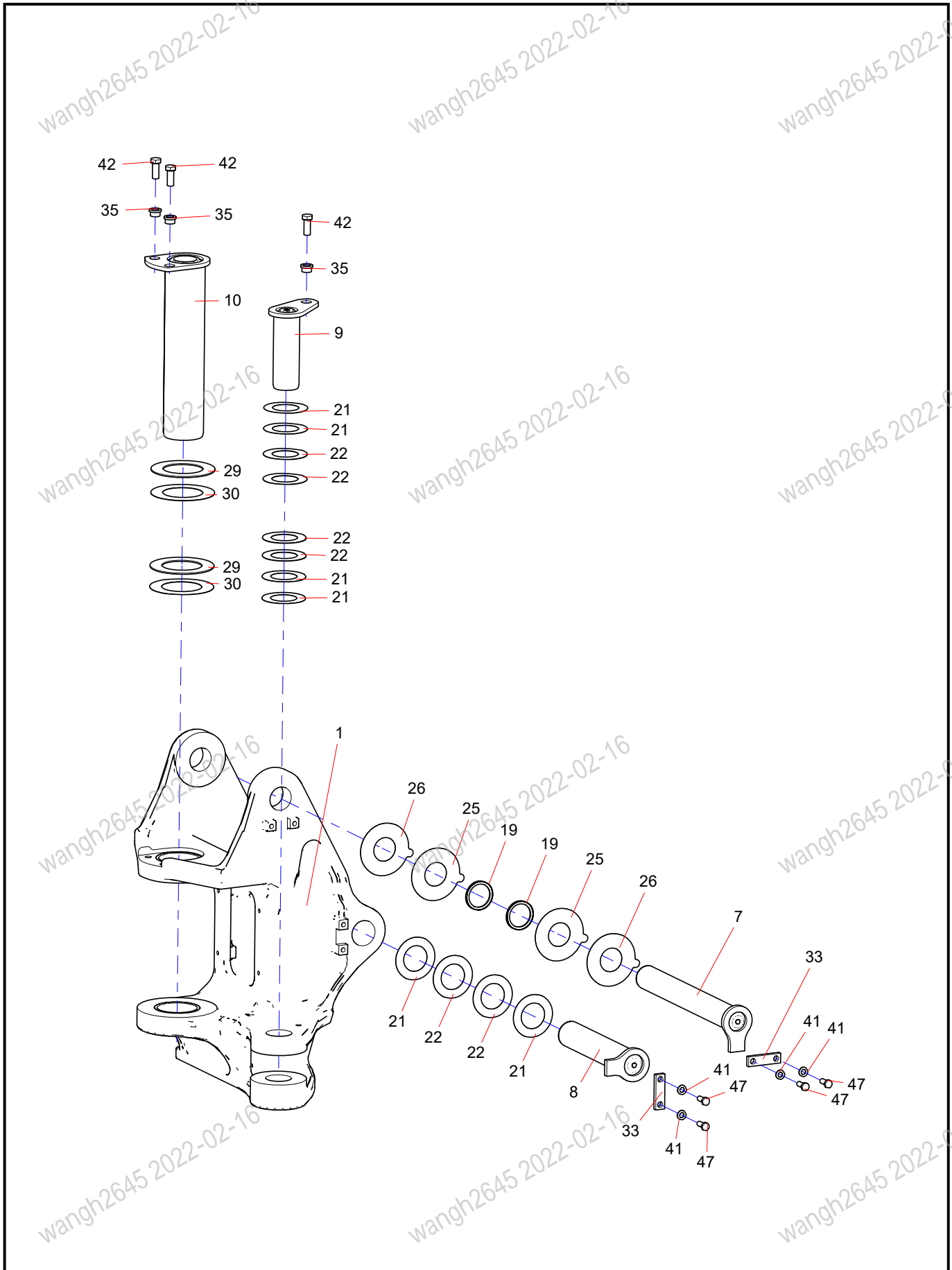
14271234 Bucket Oil Cylinder



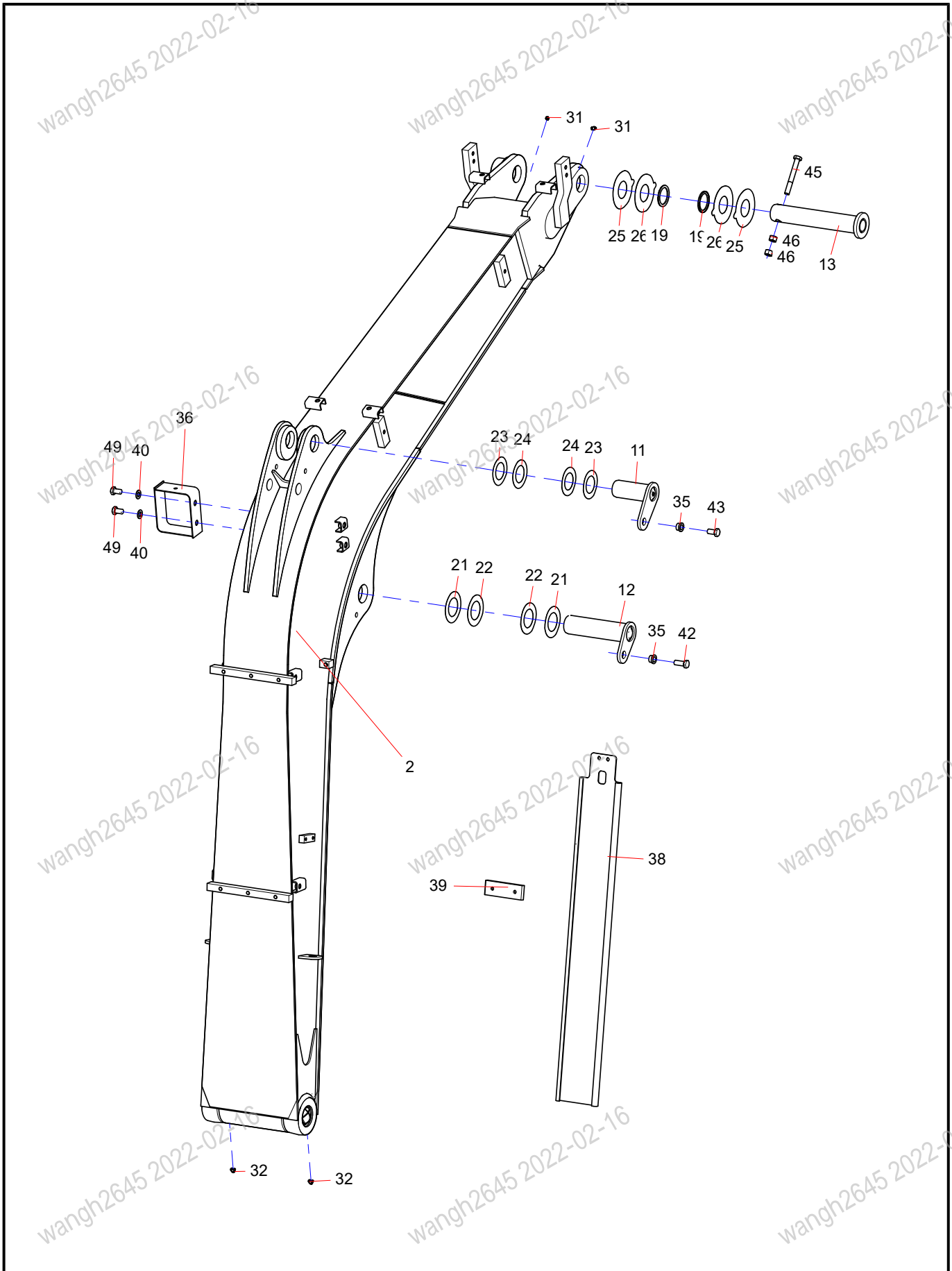
Group 5

Work device

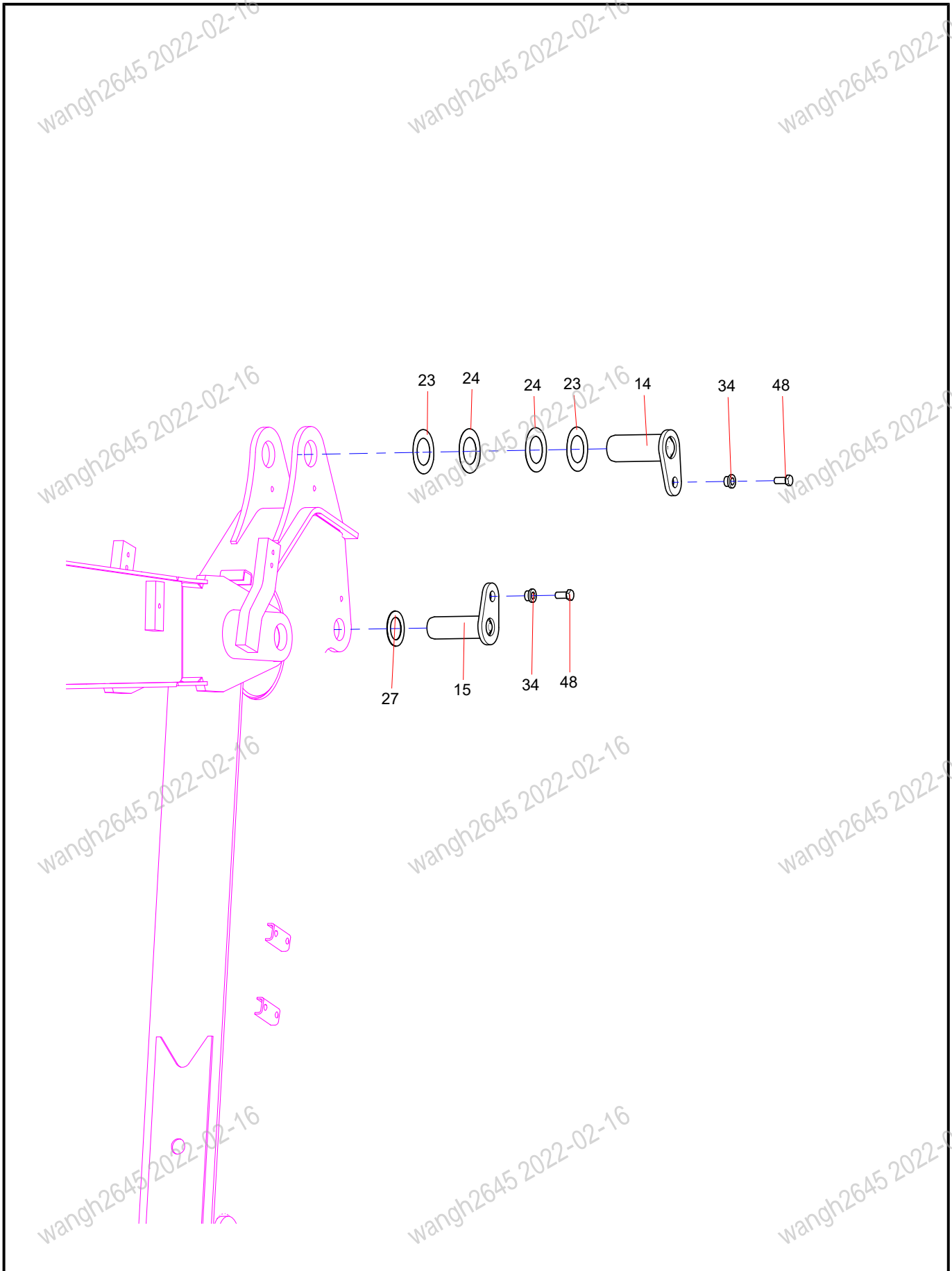
Work device (1/4)



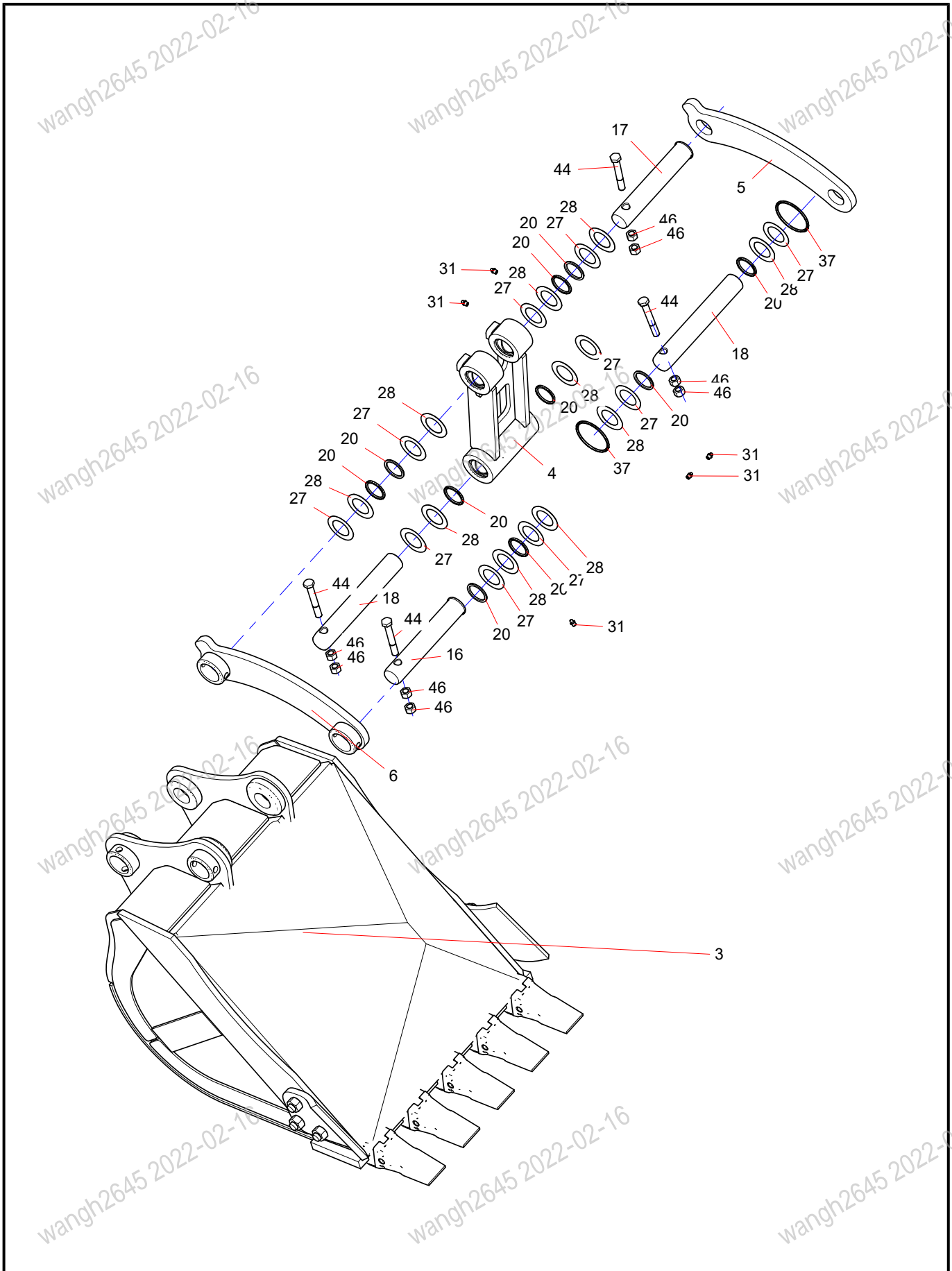
INDEX	PART NO.	DESCRIPTION	QTY	SEE PAGE
1	SSY004897428	support	1	5-10
7	14270049	Brace piece axial pin	1	
8	14270062	Brace piece axial pin	1	
9	14284222	Brace piece axial pin	1	
10	14270058	Brace piece axial pin	1	
19	B230101001118	Dust Ring	4	
21	A810312990208	Shim	8	
22	A810312990209	Shim	8	
25	A820102010779	Spacer	4	
26	A820102010780	Spacer	4	
29	14270849	Spacer	2	
30	14270850	Spacer	2	
33	A810312019061	Rigid Board	2	
35	A820202004034	Bush	5	
41	24000639	Washer	4	
42	A210111000053	Bolt	4	
47	A210111000202	Bolt	4	



INDEX	PART NO.	DESCRIPTION	QTY	SEE PAGE
2	SSY005034347	Boom	1	5-12
11	A810312110104	Roll, Pin	1	
12	14270033	Brace piece axial pin	1	
13	12331899	Brace Piece Axial Pin	1	
19	B230101001118	Dust Ring	4	
21	A810312990208	Shim	8	
22	A810312990209	Shim	8	
23	A820102010781	Spacer	4	
24	A820102010782	Spacer	4	
25	A820102010779	Spacer	4	
26	A820102010780	Spacer	4	
31	A210804000002	Oil Cup	7	
32	60017380	Butter Nozzle	2	
35	A820202004034	Bush	5	
36	SSY004680859	cover	1	
38	14276310	Oil cylinder guard board	1	
39	10574187	Rigid board	1	
40	24000642	Washer	2	
42	A210111000053	Bolt	4	
43	A210111000263	Bolt	1	
45	21050508	Bolt	1	
46	A210307000028	Nut	10	
49	A210111000366	Bolt	2	

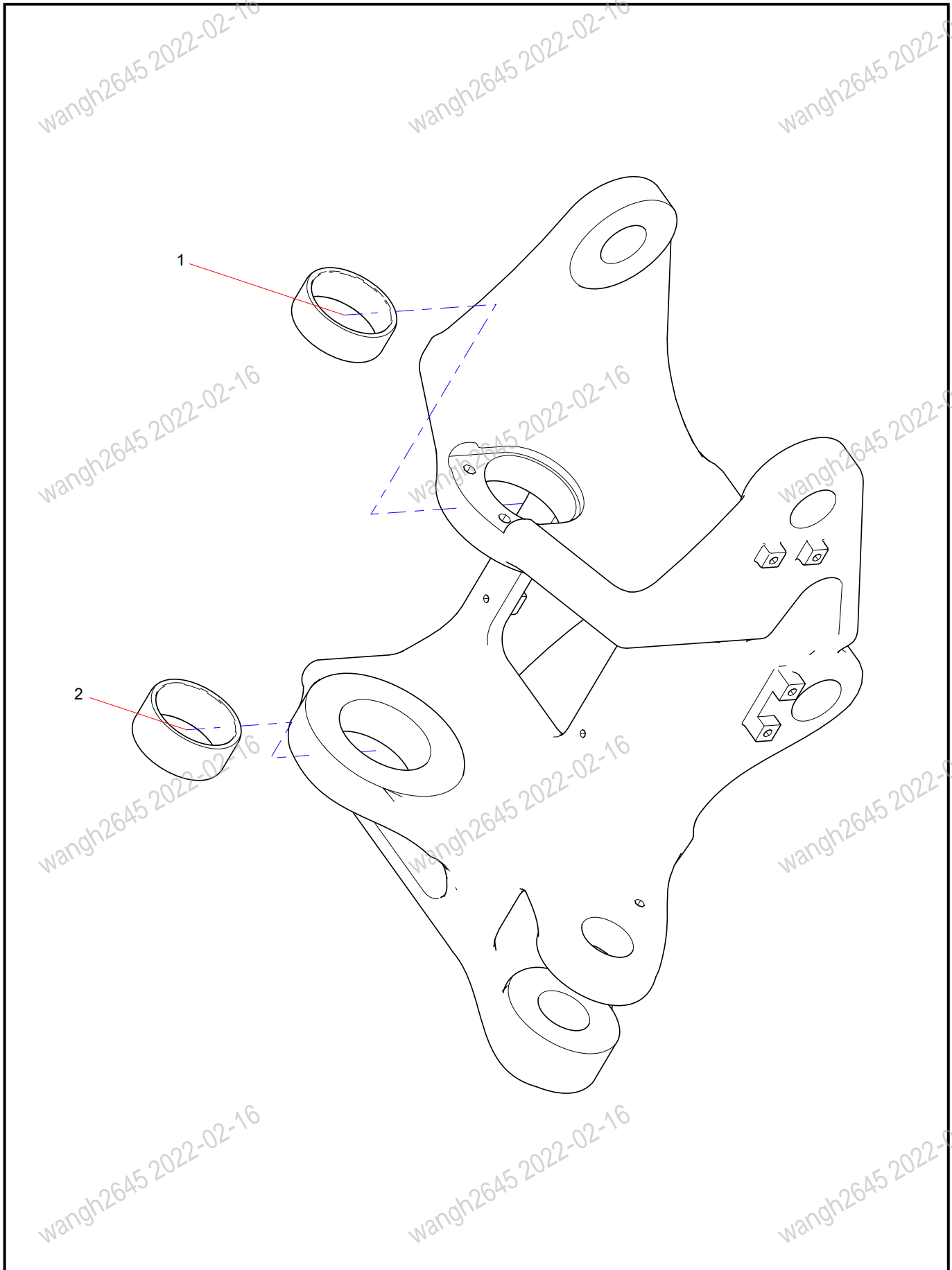


INDEX	PART NO.	DESCRIPTION	QTY	SEE PAGE
14	A810312110098	Roll, Pin	1	
15	A810312110099	Roll, Pin	1	
23	A820102010781	Spacer	4	
24	A820102010782	Spacer	4	
27	A820102010783	Shim	11	
34	A820202004035	Bush	2	
48	A210111000205	Bolt	2	



INDEX	PART NO.	DESCRIPTION	QTY	SEE PAGE
3	10468495	Bucket Assembly	1	5-14
4	14148558	Connecting Rod	1	5-16
5	A810312090020	Right Jiggle Bar	1	
6	A810312090019	Left Jiggle Bar	1	
16	A820301021346	Axial Pin With Hole	1	
17	A820301021347	Axial Pin With Hole	1	
18	A820301021349	Axial Pin With Hole	2	
20	B230101001119	Dust Ring	10	
27	A820102010783	Shim	11	
28	A820102010784	Shim	11	
31	A210804000002	Oil Cup	7	
37	A880802010064	O-ring	2	
44	A210110000034	Bolt	4	
46	A210307000028	Nut	10	

SSY004897428 support



INDEX	PART NO.	DESCRIPTION	QTY	SEE PAGE
1	14270846	Shaft Sleeve	1	
2	14270848	Shaft Sleeve	1	

wangh2645 2022-02-16

wangh2645 2022-02-16

wangh2645 2022-02-16

wangh2645 2022-02-16

wangh2645 2022-02-16

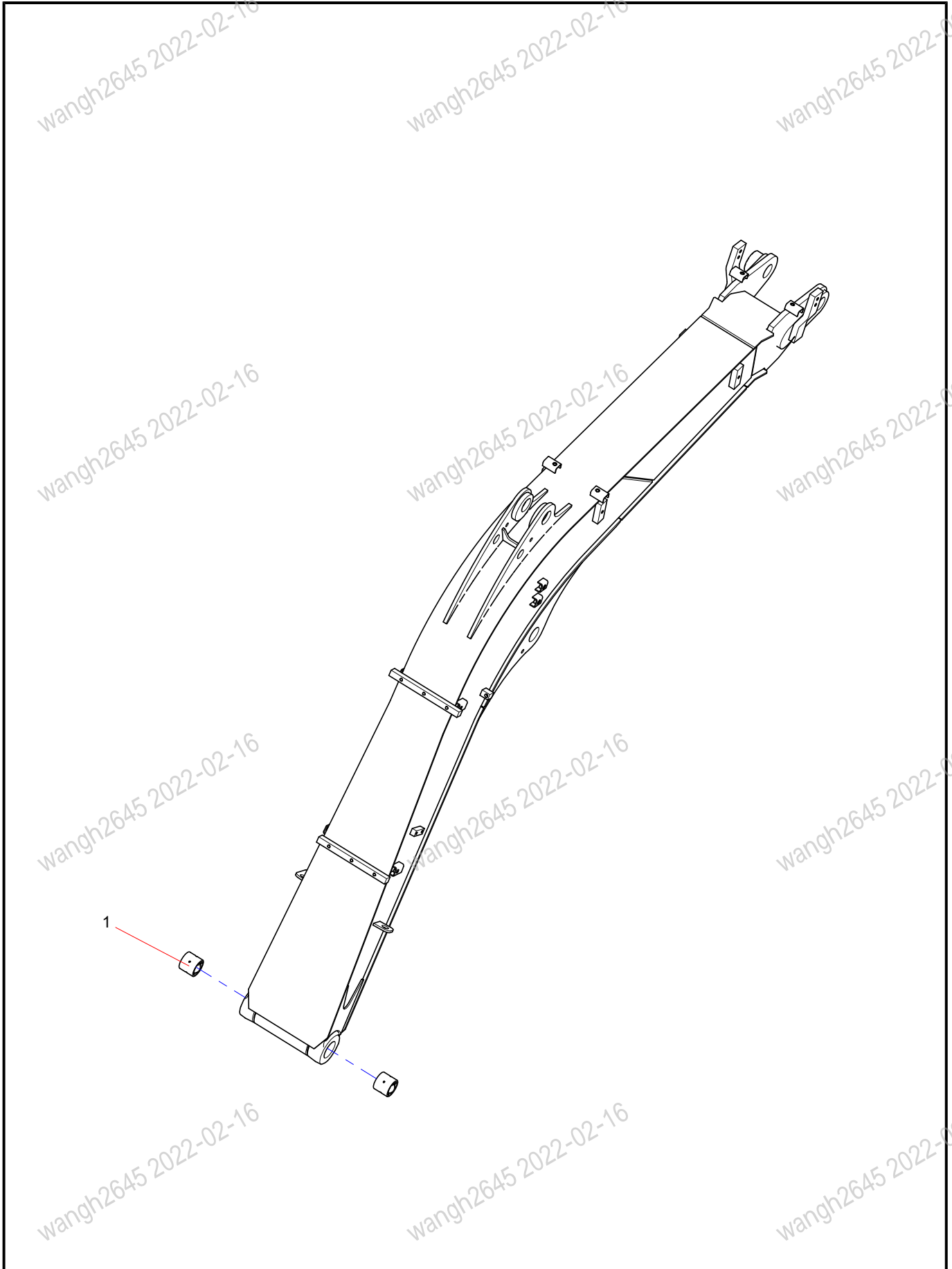
wangh2645 2022-02-16

wangh2645 2022-02-16

wangh2645 2022-02-16

wangh2645 2022-02-16

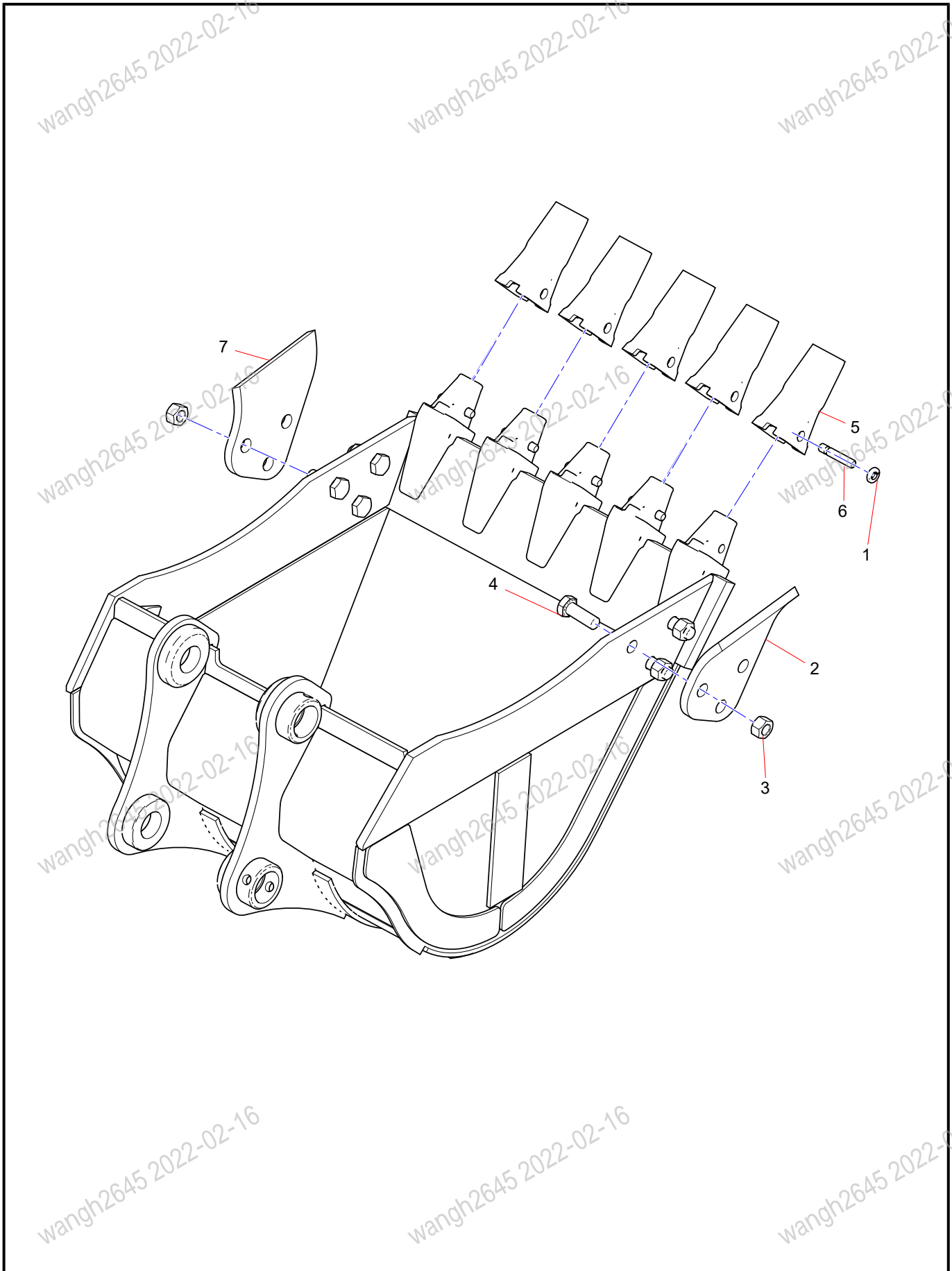
SSY005034347 Boom



SSY005034347 Boom

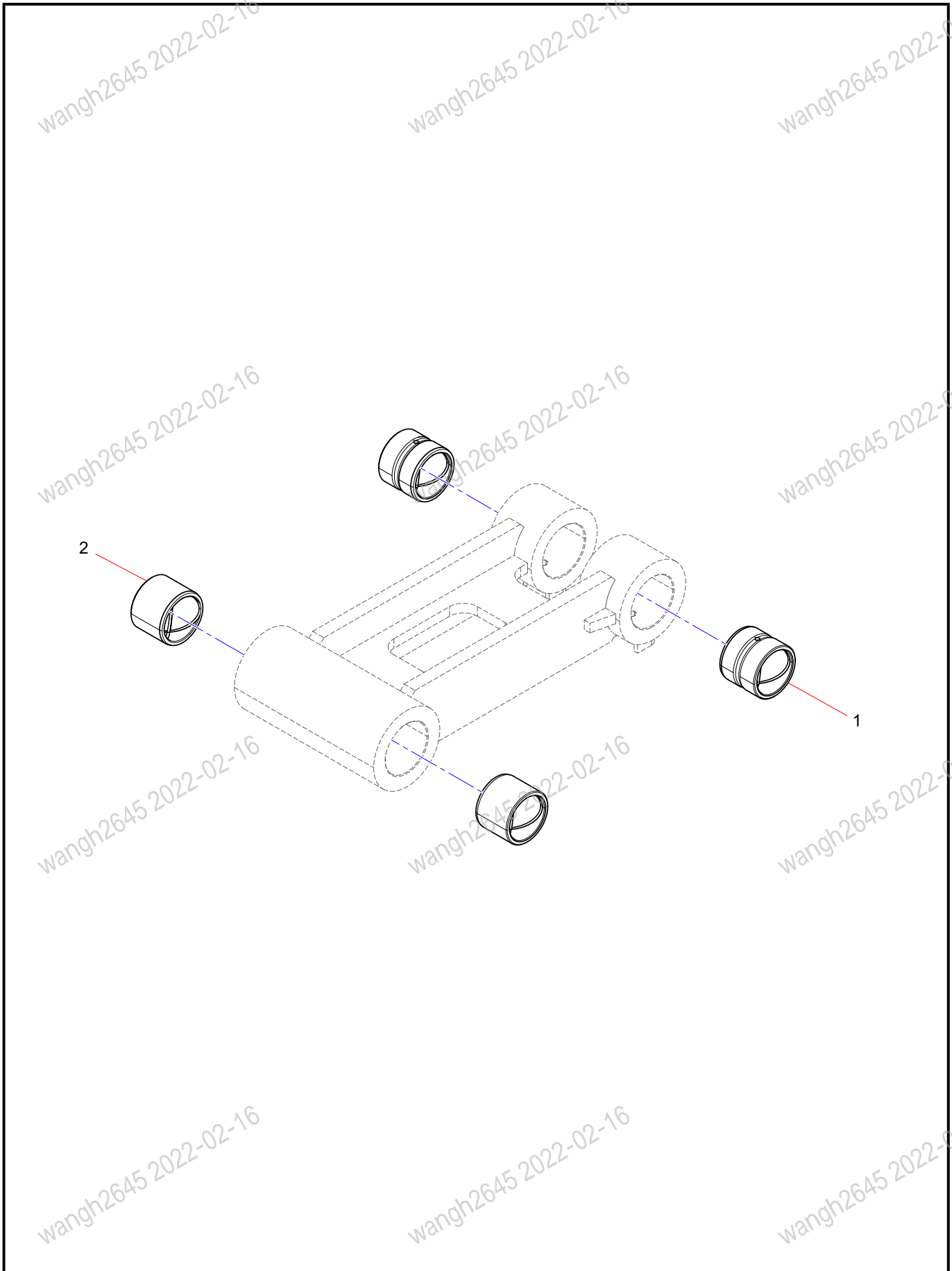
INDEX	PART NO.	DESCRIPTION	QTY	SEE PAGE
1	A820202005318	Shaft Sleeve	2	

10468495 Bucket Assembly



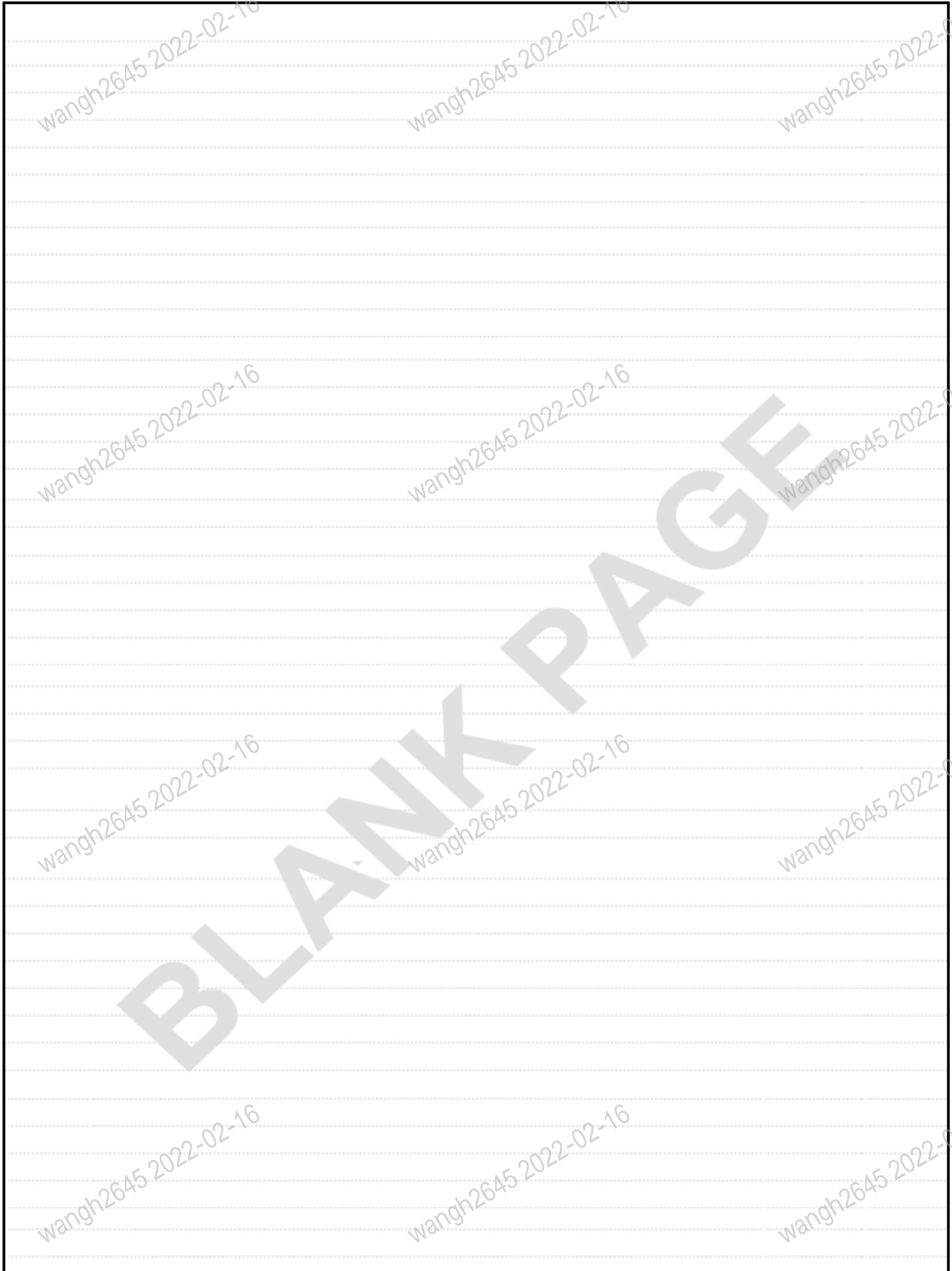
INDEX	PART NO.	DESCRIPTION	QTY	SEE PAGE
1	12076820	Tightening Cover	5	
2	132799000057A	Side Bucket Teeth	1	
3	60012073	Nut	6	
4	A210111000301	Bolt	6	
5	12076809	Bucket Tooth	5	
6	12076815	Bucket Tooth Pin	5	
7	132799000058A	Side Bucket Teeth	1	

14148558 Connecting Rod



INDEX	PART NO.	DESCRIPTION	QTY	SEE PAGE
1	A820202005321	Shaft Sleeve	2	
2	A820202005320	Shaft Sleeve	2	

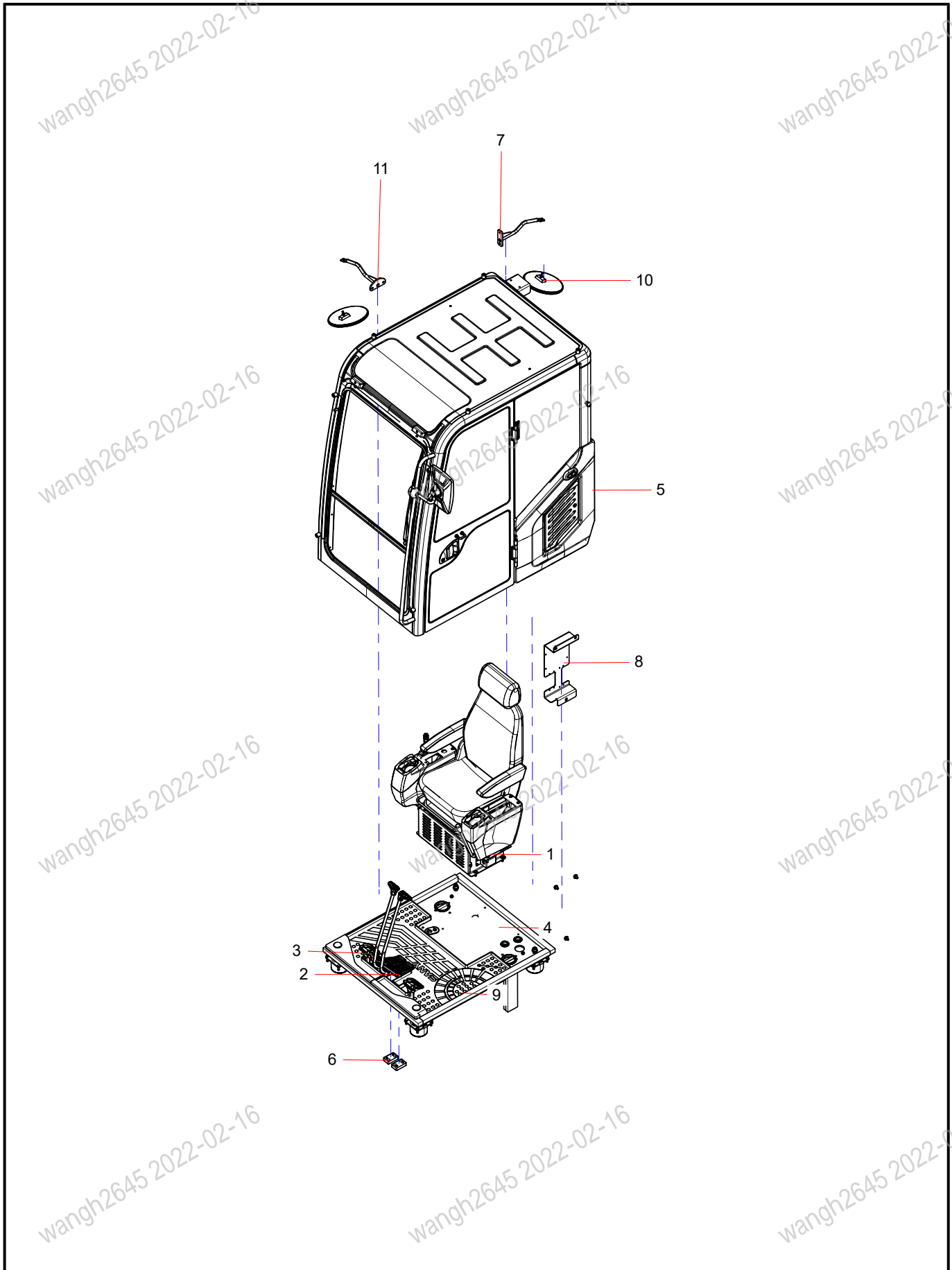
14148558 Connecting Rod



Group 6

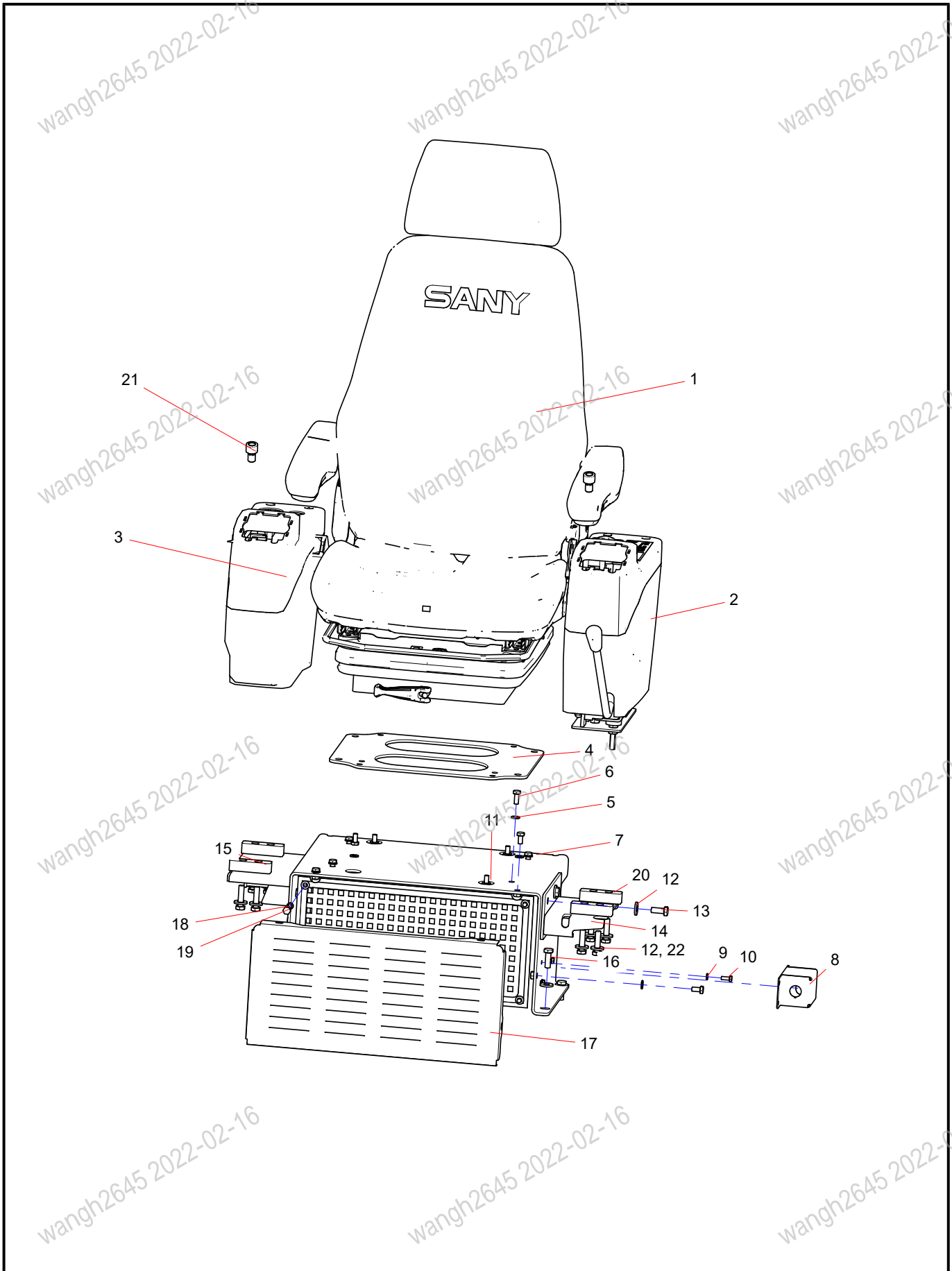
Cab assembly

Cab assembly



INDEX	PART NO.	DESCRIPTION	QTY	SEE PAGE
1		seat and control cabinet	1	6-4
2	14263767	left travel control lever assembly	1	6-10
3	14263768	right travel control lever assembly	1	6-12
4		Bottom board rack	1	6-14
5	61026462	Cab assembly	1	6-18
6	11571909	Block	2	
7	14263555	Support of reaview mirror	1	
8	14264109	installation plate for electrical equipment	1	
9	14363700	Floor Cushion	1	
10	60121095	Rearview Mirror of Counterweight	2	
11	SSY005097938	Support of reaview mirror	1	

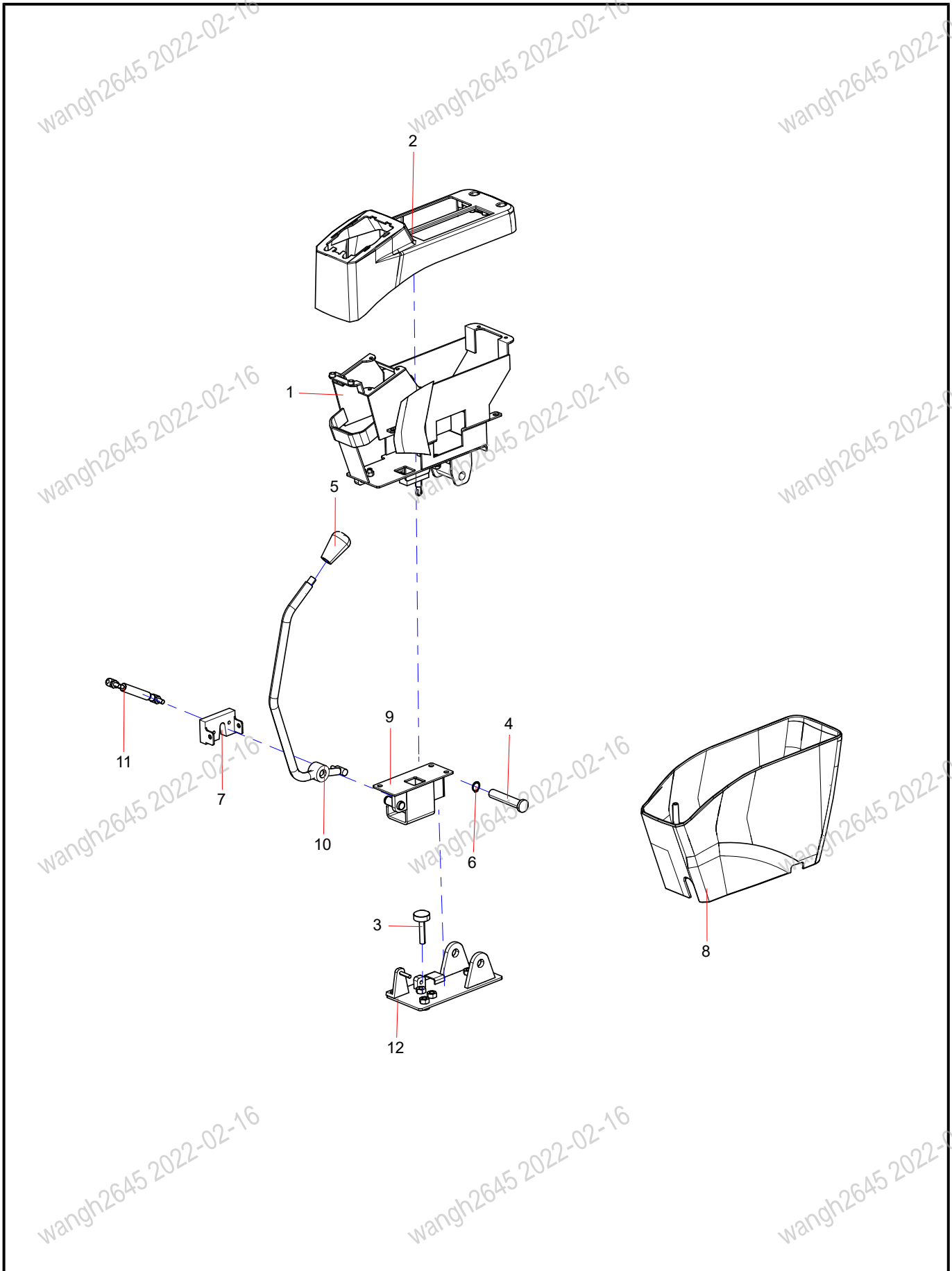
seat and control cabinet



seat and control cabinet

INDEX	PART NO.	DESCRIPTION	QTY	SEE PAGE
1	60328846	Driver Cab Seat	1	
2	130904000019A	armrest box	1	6-6
3	130904000020A	armrest box	1	6-8
4	A820101343843	Seat connecting	1	
5	24000633	Washer	16	
6	A210111000343	Bolt	4	
7	14263570	Installation Seat	1	
8	13601111	Installation Case of Jerk Switch	1	
9	24000632	Washer	3	
10	A210111000079	Bolt	3	
11	A210111000342	Bolt	8	
12	A210491000120	Washer	18	
13	A210111000197	Bolt	6	
14	13383990	left armrest box base	1	
15	10539590	Right Control box Support Abutment	1	
16	A210111000024	Bolt	4	
17	11523058	plate	1	
18	24000511	Washer	4	
19	A210111000240	Bolt	4	
20	14093459	Armrest Box Cushion	4	
21	13966508	Screw Thread Adaptor	2	
22	21005186	Bolt	8	

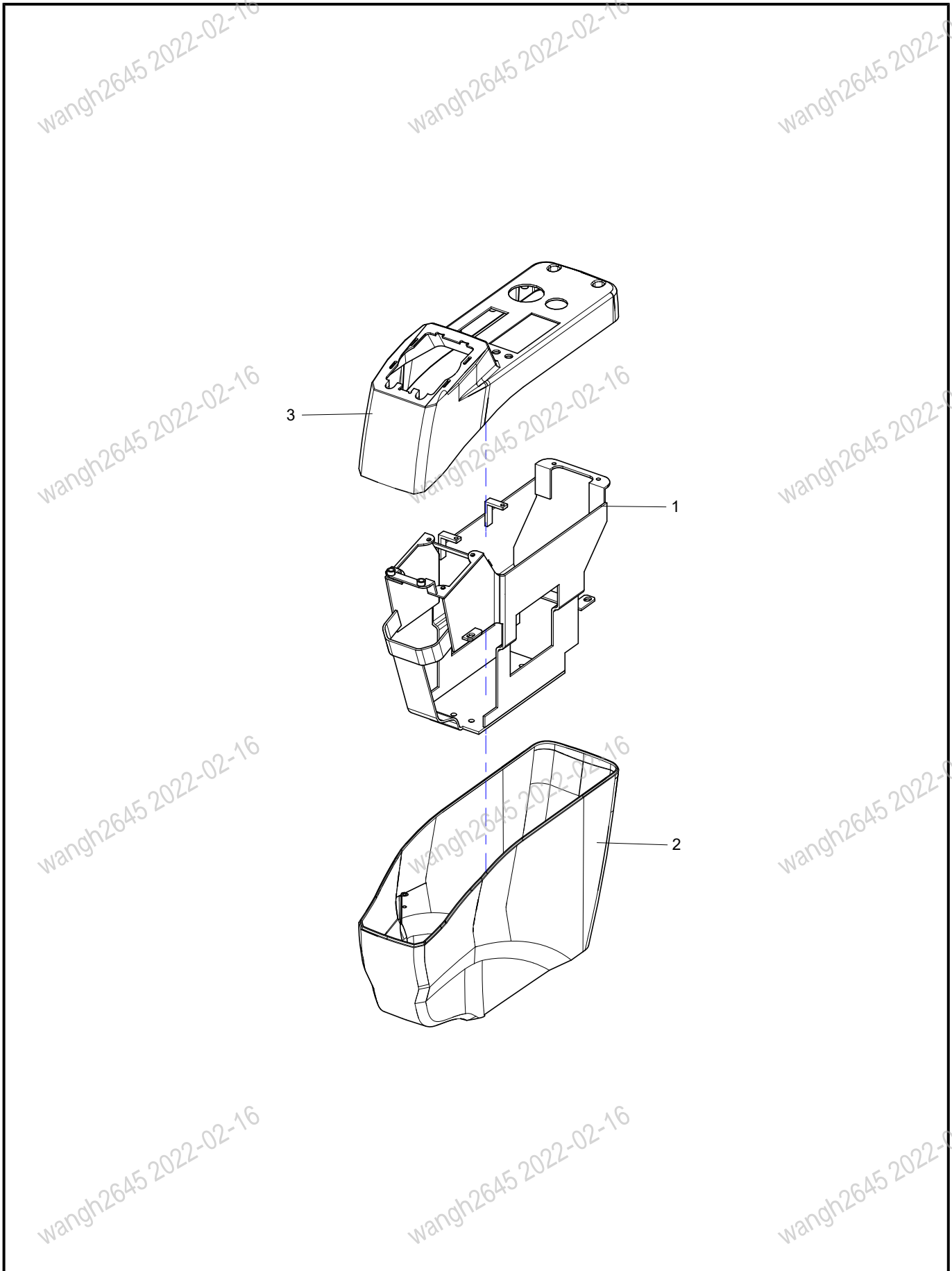
130904000019A armrest box



130904000019A armrest box

INDEX	PART NO.	DESCRIPTION	QTY	SEE PAGE
1	60312821	upper framework	1	
2	130904000019A001	TOP cover of left armrest box	1	
3	A810502019056	Set Screw	1	
4	60312823	rotating shaft	1	
5	60312828	handle	1	
6	A210414000003	Retainer Ring	1	
7	60312826	lock	1	
8	130904000019A002	Lower cover of left armrest box	1	
9	60312822	lock board	1	
10	60312827	control lever	1	
11	60312825	Gas spring	1	
12	60312824	lower framework	1	

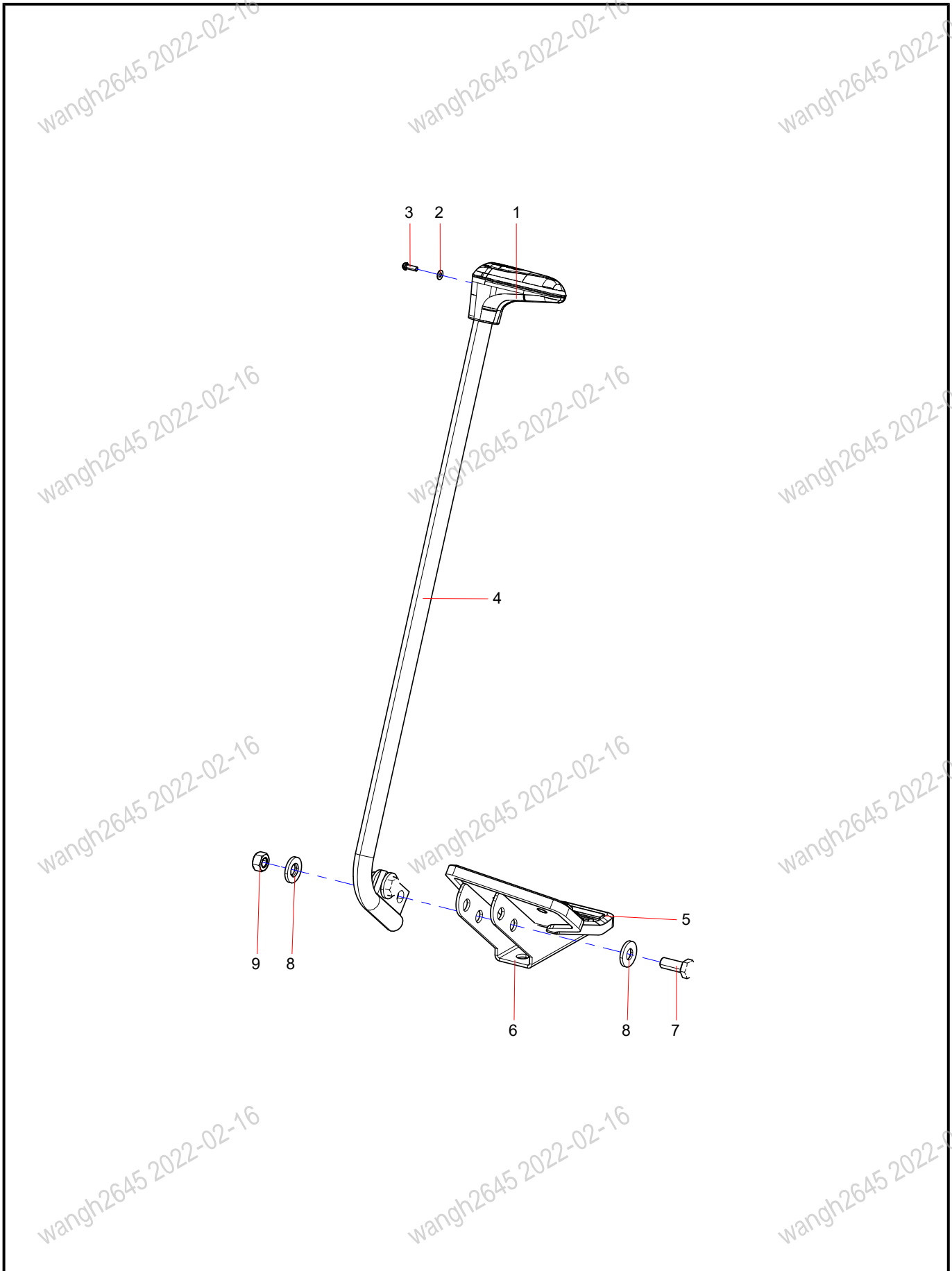
130904000020A armrest box



130904000020A armrest box

INDEX	PART NO.	DESCRIPTION	QTY	SEE PAGE
1	60312831	framework	1	
2	130904000020A002	Lower cover of right armrest box	1	
3	130904000020A001	Top cover of right armrest box	1	

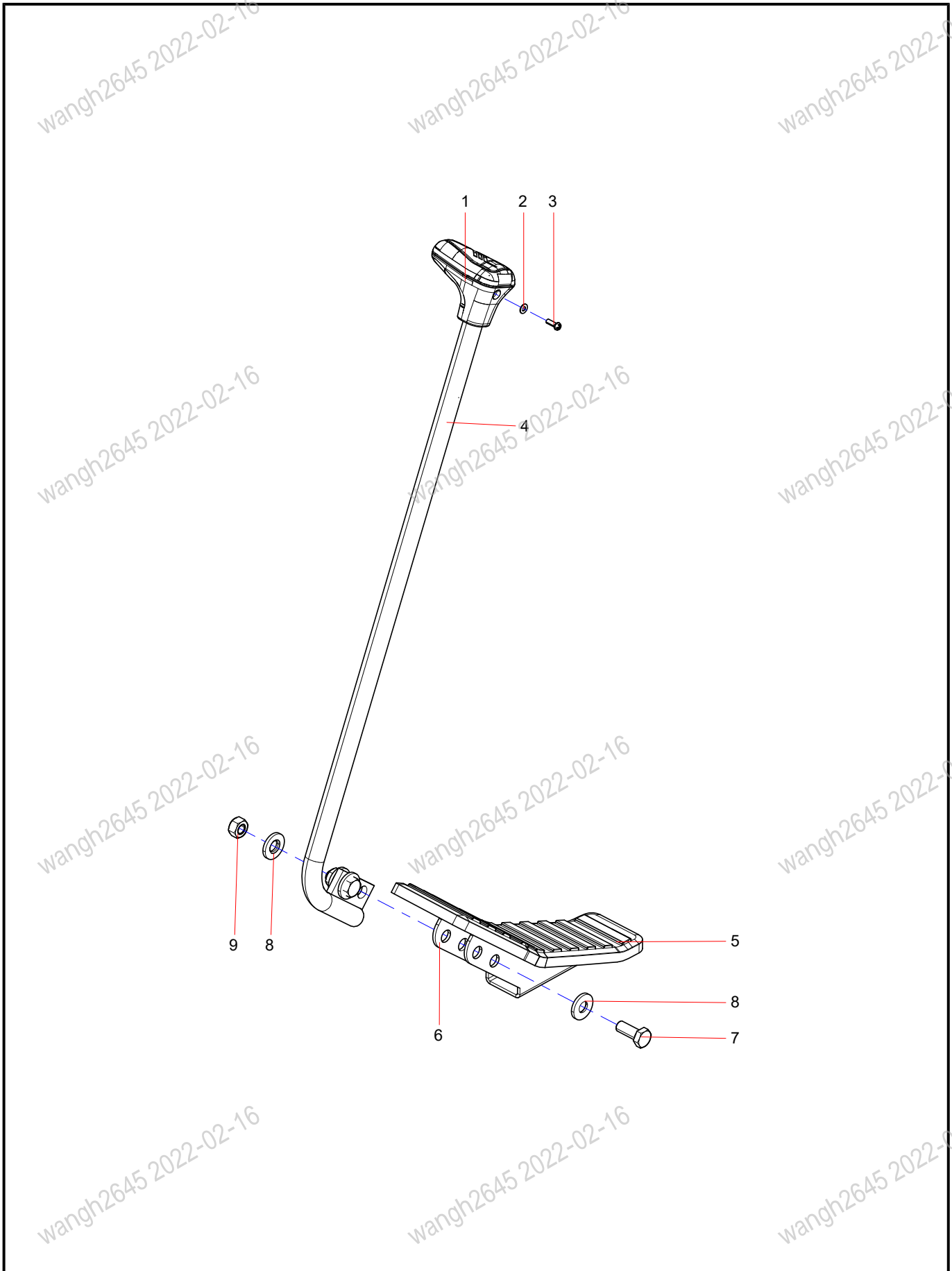
14263767 left travel control lever assembly



14263767 left travel control lever assembly

INDEX	PART NO.	DESCRIPTION	QTY	SEE PAGE
1	12688927	Left Handle	1	
2	A210405000004	Washer	1	
3	A210210000030	Screw	1	
4	14308573	Control Lever	1	
5	14108125	Backup Sleeve of Pedal	1	
6	14108128	Left Backup Plate of Pedal	1	
7	A210111000197	Bolt	2	
8	A210491000120	Washer	4	
9	A210307000036	Nut	2	

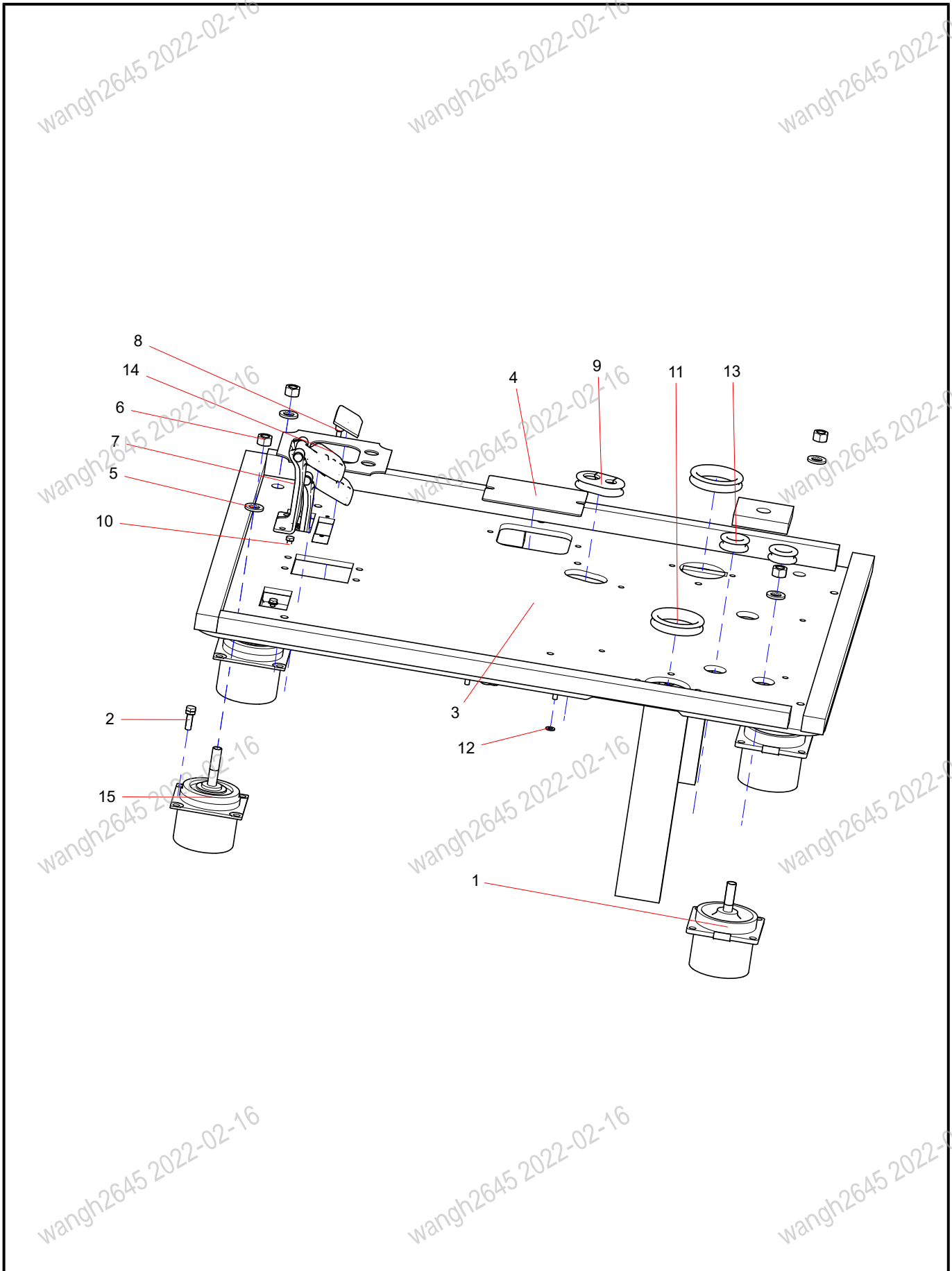
14263768 right travel control lever assembly



14263768 right travel control lever assembly

INDEX	PART NO.	DESCRIPTION	QTY	SEE PAGE
1	12691132	Right Handle	1	
2	A210405000004	Washer	1	
3	A210210000030	Screw	1	
4	14308573	Control Lever	1	
5	14108126	Right Footplate	1	
6	14108130	Backup Support Right	1	
7	A210111000197	Bolt	2	
8	A210491000120	Washer	4	
9	A210307000036	Nut	2	

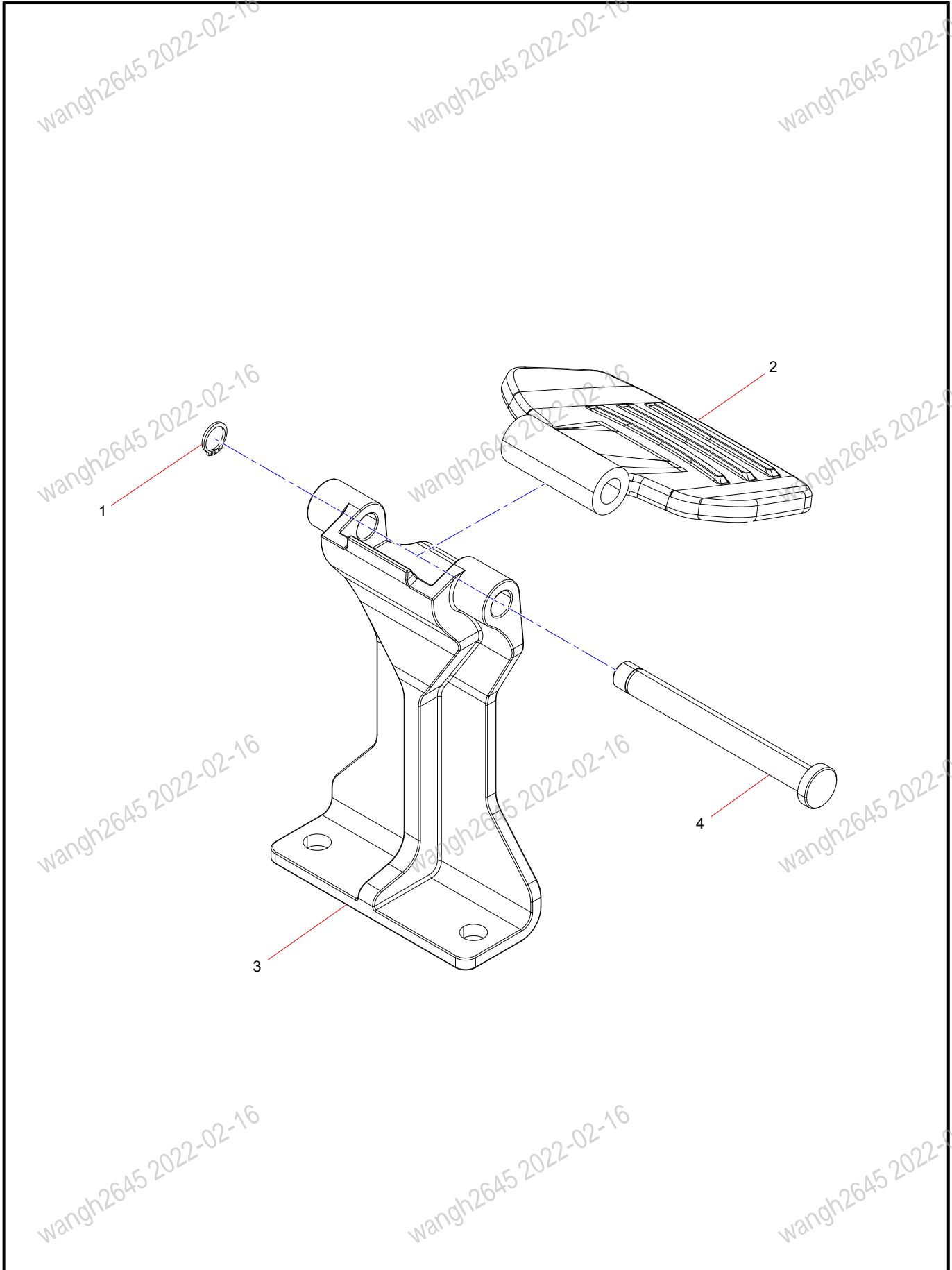
Bottom board rack



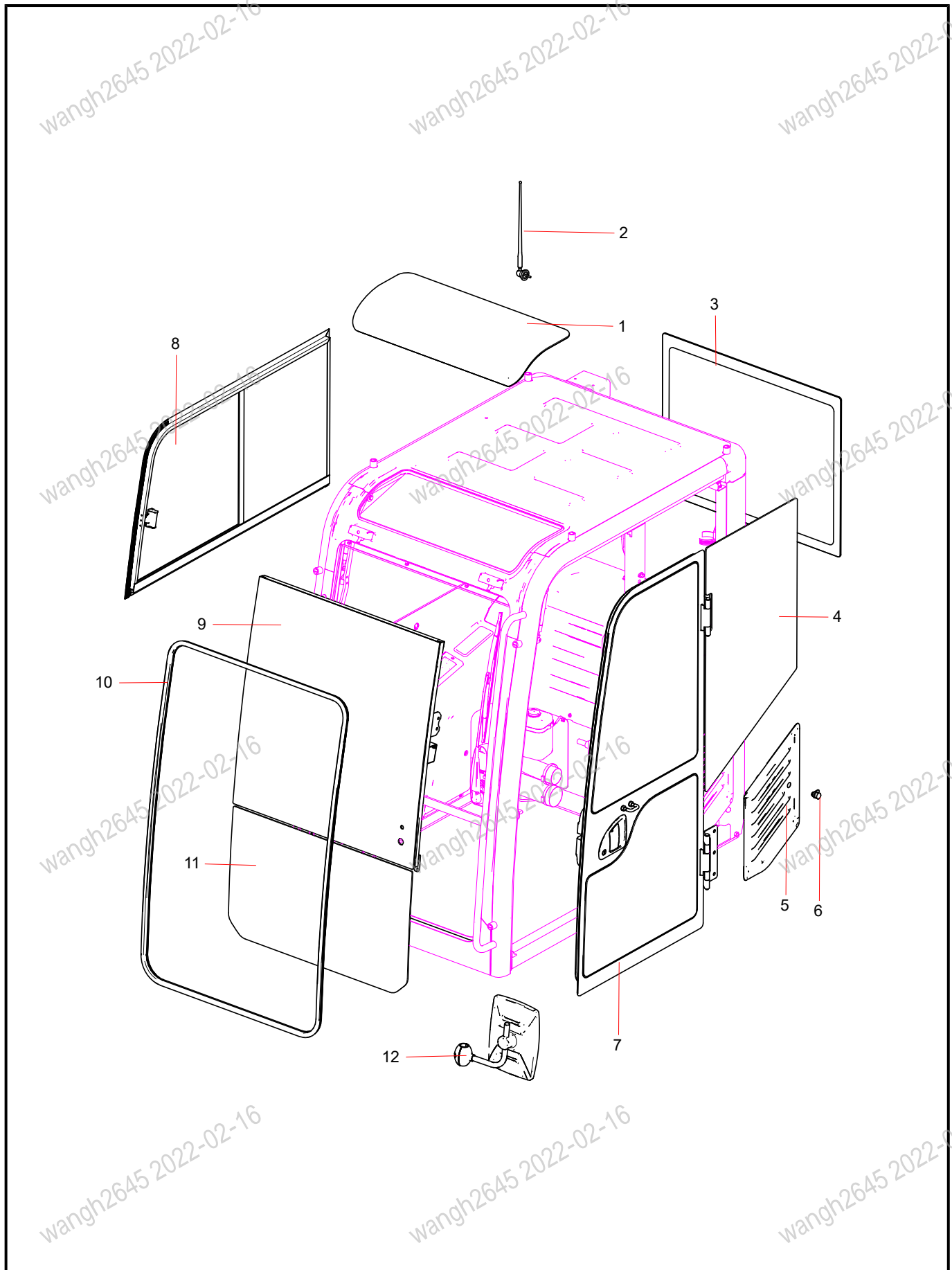
Bottom board rack

INDEX	PART NO.	DESCRIPTION	QTY	SEE PAGE
1	131602000002A	Cab silicon oil shock absorber	2	
2	A210111000024	Bolt	16	
3	14263545	Bottom board	1	
4	14279705	cover plate	1	
5	A210491000118	Washer	4	
6	A210307000028	Nut	4	
7	13603246	Pendulum Pedal Assembly	2	6-16
8	13845262	Run-out Footplate	1	
9	14263541	protecting ring	1	
10	A210111000323	Bolt	6	
11	A820606030056	Grommet	2	
12	24000633	Washer	6	
13	13215447	Protective sleeve	2	
14	11937141	Foot Valve Seal	1	
15	B229900000245	Cab Shock Absorber	2	

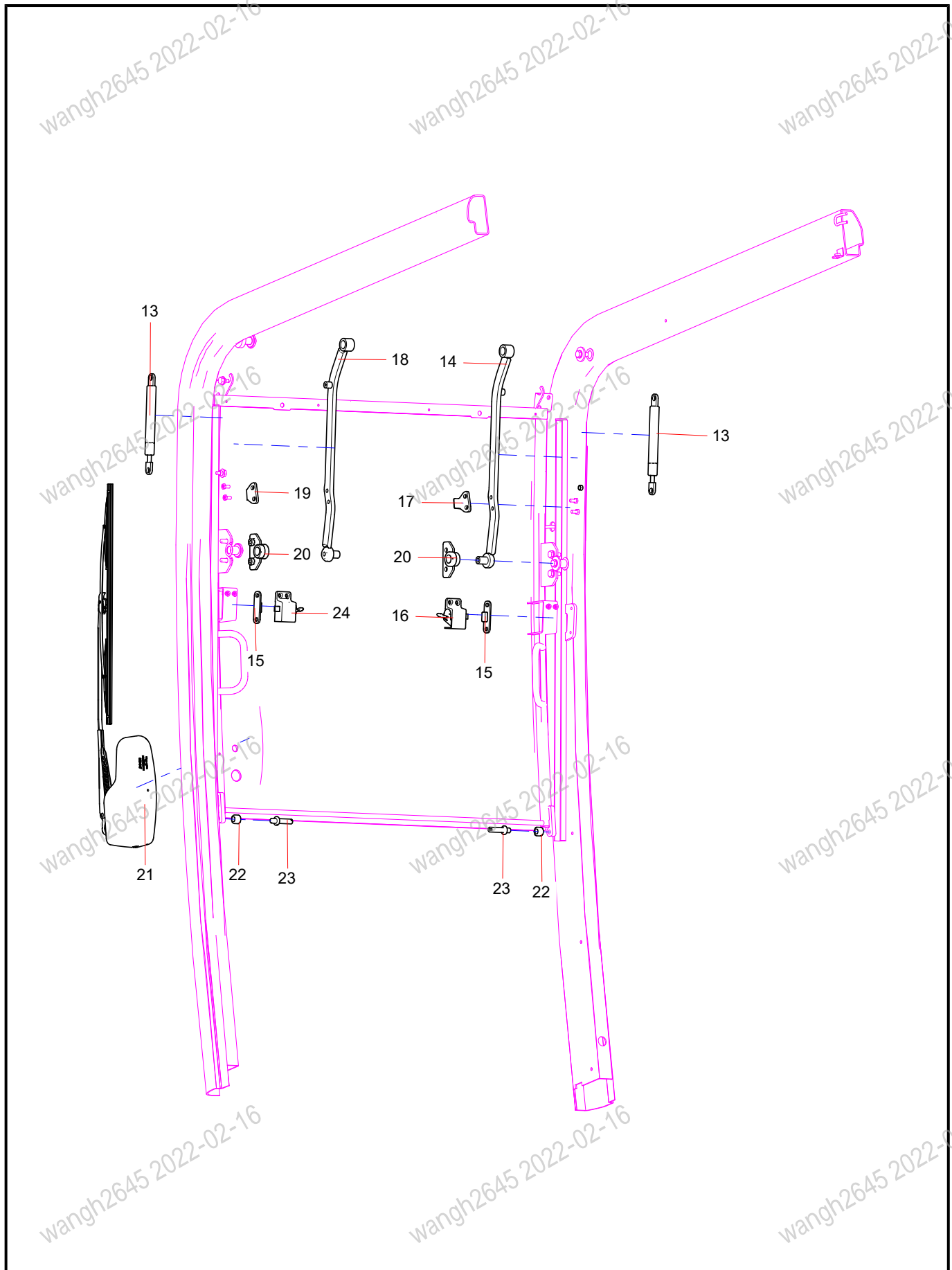
13603246 Pendulum Pedal Assembly



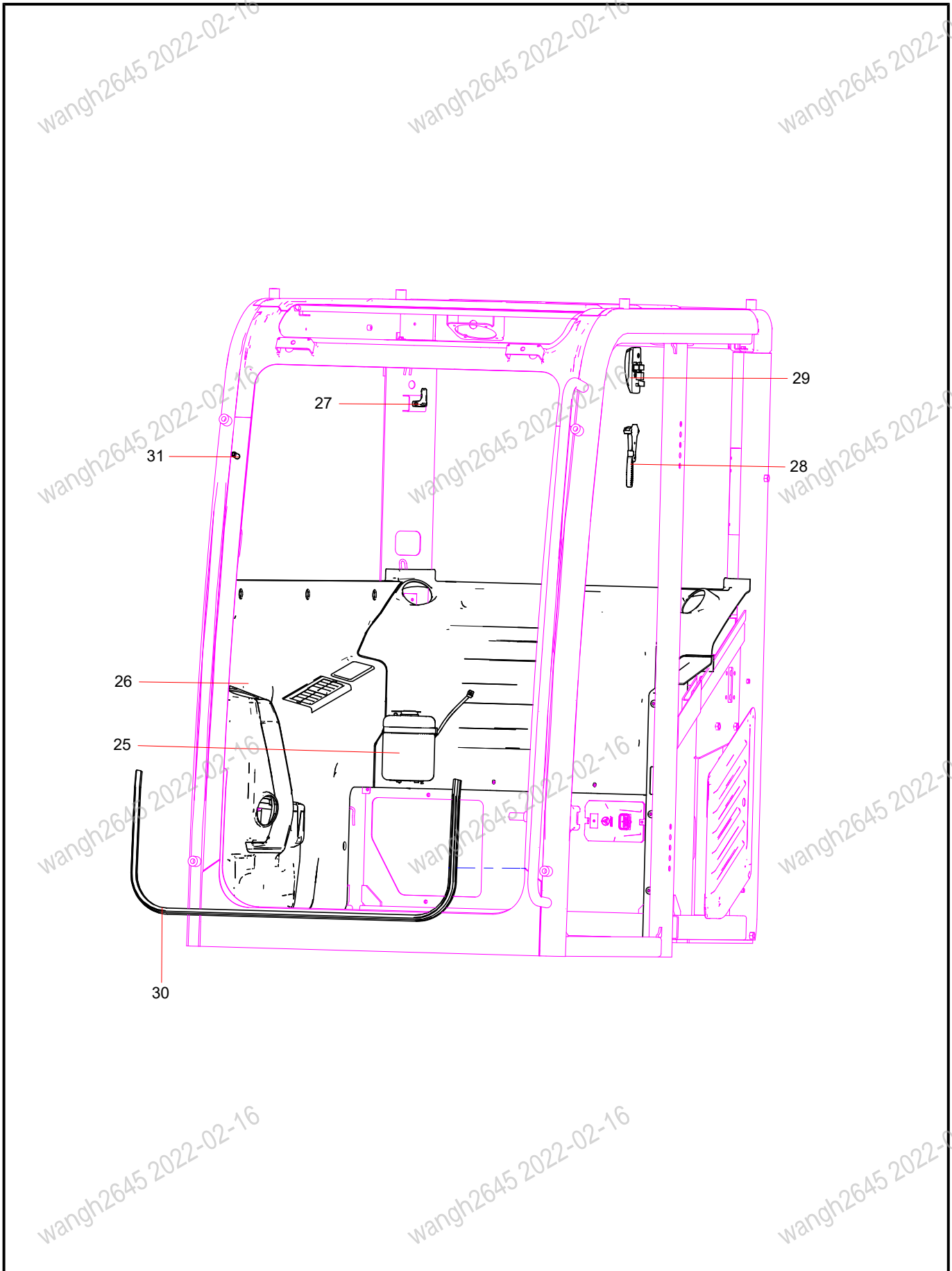
INDEX	PART NO.	DESCRIPTION	QTY	SEE PAGE
1	A210414000011	Retainer Ring	1	
2	13603244	Pedal	1	
3	13845264	Installation Frame	1	
4	13603245	Rotating Shaft	1	



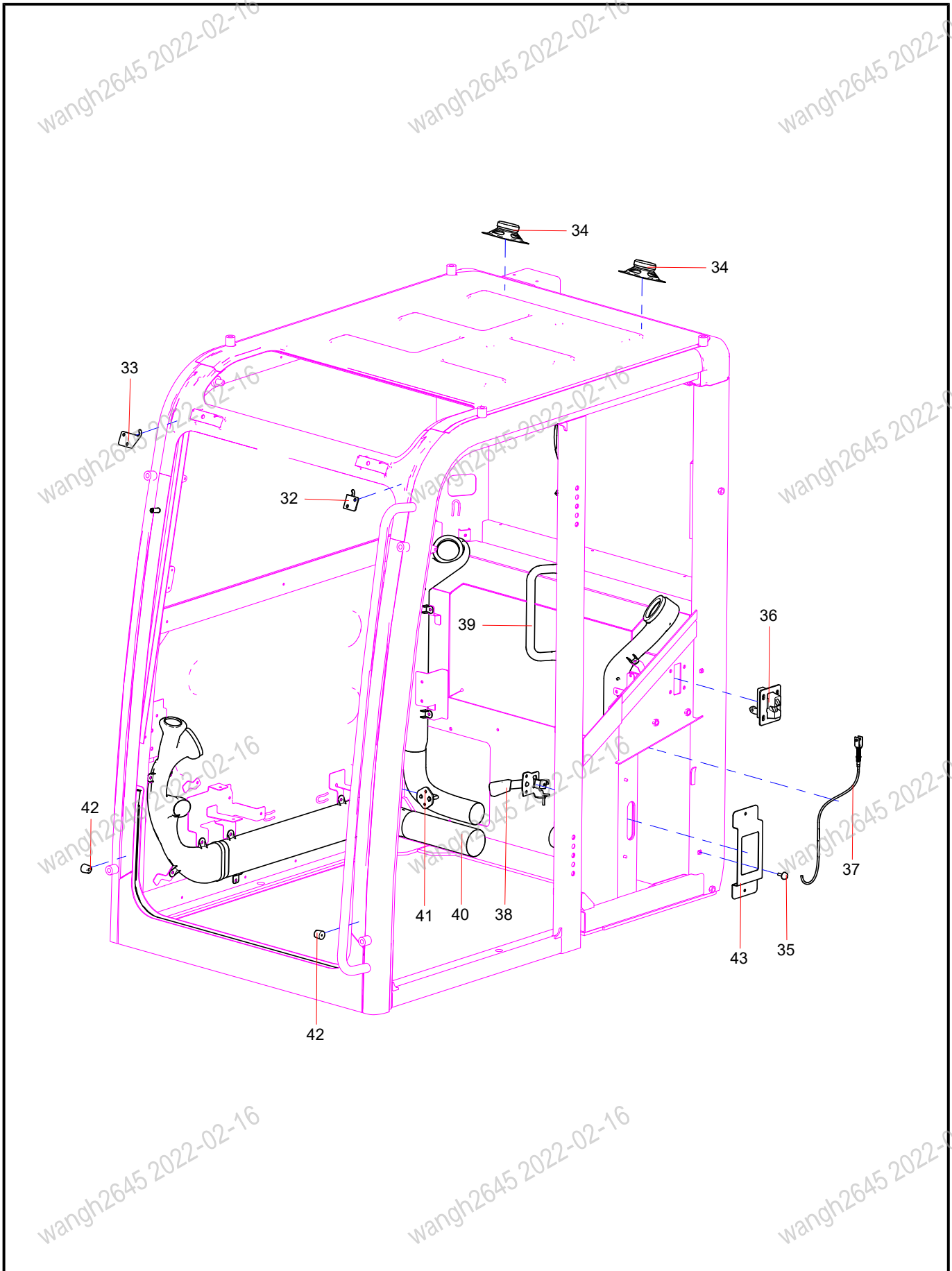
INDEX	PART NO.	DESCRIPTION	QTY	SEE PAGE
1	130988000348A	Skylight glass	1	
2	60023704	Antenna	1	
3	130988000349A	Rear window	1	
4	130988000392A	Left-hand glass	1	
5	130988000350A	Maintenance door	1	
6	130988000368A	Round head lock of maintenace door	1	
7	130988000387A	Door assembly	1	6-26
8	130988000347A	Right sliding window assembly	1	
9	130988000399A	Front Sliding Window	1	6-28
10	130988000402A	Front sealant strip	1	
11	130988000404A	Front lower glass	1	
12	60166748	Rearview	1	6-30



INDEX	PART NO.	DESCRIPTION	QTY	SEE PAGE
13	130988000351A	Front window air spring	2	
14	130988000397A	Front window right connecting rod	1	
15	60076062	Front lock plate	2	
16	60076063	Right front window lock	1	
17	130988000352A	Front window right locking plate	1	
18	130988000398A	Front window left connecting rod	1	
19	130988000353A	Front window left locking plate	1	
20	130988000354A	Front window connecting rod connecting block	2	
21	130988000391A	Windscreen wiper assembly	1	6-32
22	130988000356A	Roller wheel of front window	2	
23	130988000355A	Front window roller rod	2	
24	60076065	Left front window lock	1	

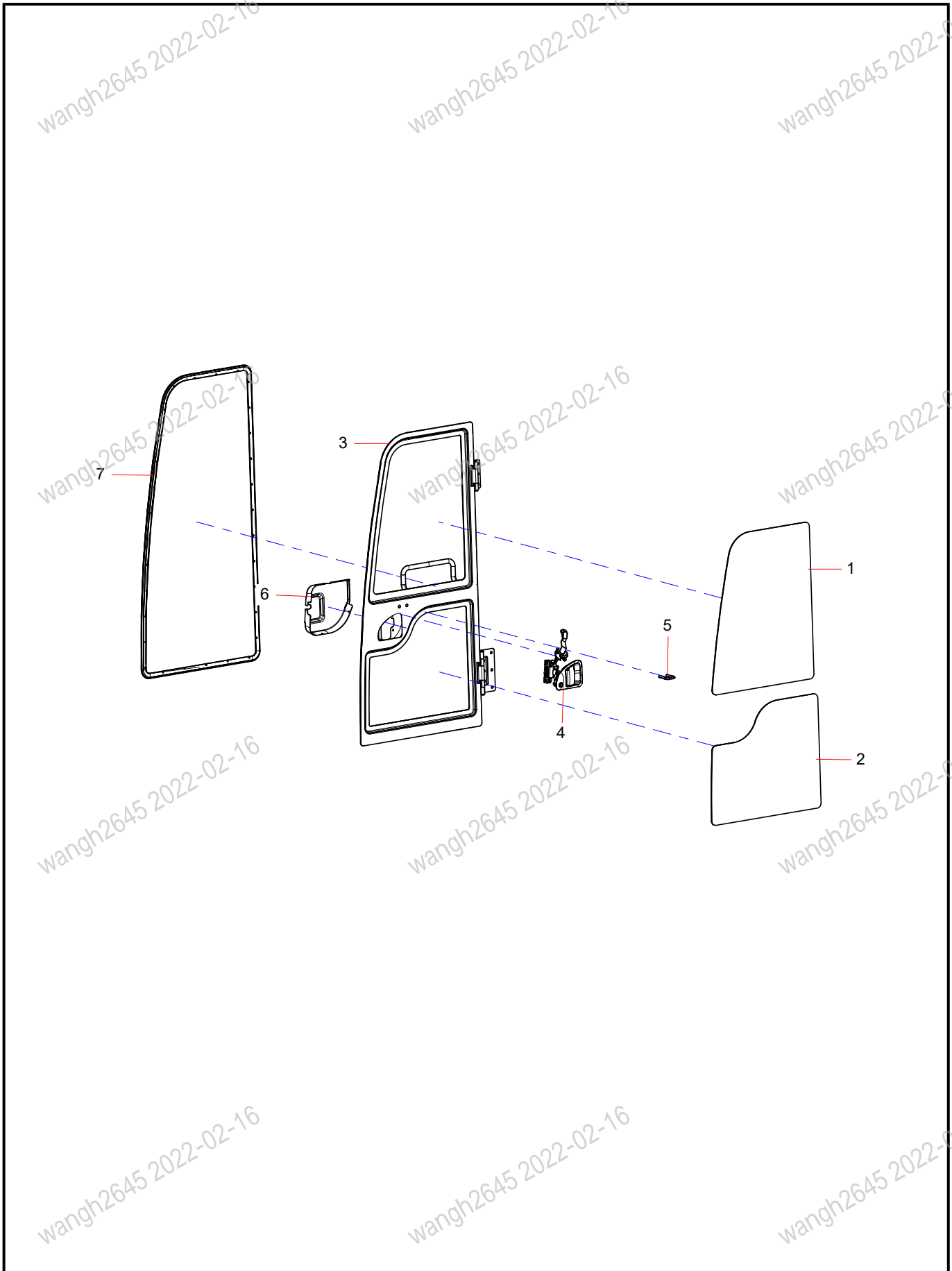


INDEX	PART NO.	DESCRIPTION	QTY	SEE PAGE
25	60310282	Water Jet ASSY	1	
26	130988000369A	Internal decoration assembly	1	6-34
27	60031308	Hook, Coat & Hat	1	
28	60052666	Safety Hammer	1	
29	130988000395A	Reading lamp	1	
30	130988000403A	Sealing rubber of front-lower glass	1	
31	60052625	Spray nozzle	1	



INDEX	PART NO.	DESCRIPTION	QTY	SEE PAGE
32	130988000389A	Left hook plate of shade curtain	1	
33	130988000388A	Right hook plate of shade curtain	1	
34	60023703	Speaker	2	
35	A810502019056	Set Screw	3	
36	130988000358A	Back lock	1	
37	130988000359A	Rear lock wire assembly	1	
38	130988000360A	Rear lock opening handle assembly	1	
39	130988000390A	Center pillar handle	1	
40	130988000361A	Vane assembly	1	6-36
41	130988000367A	Lock catch of door	1	
42	130988000357A	Lower glass limit pier	2	
43	130988000396A	External filter press plate	1	

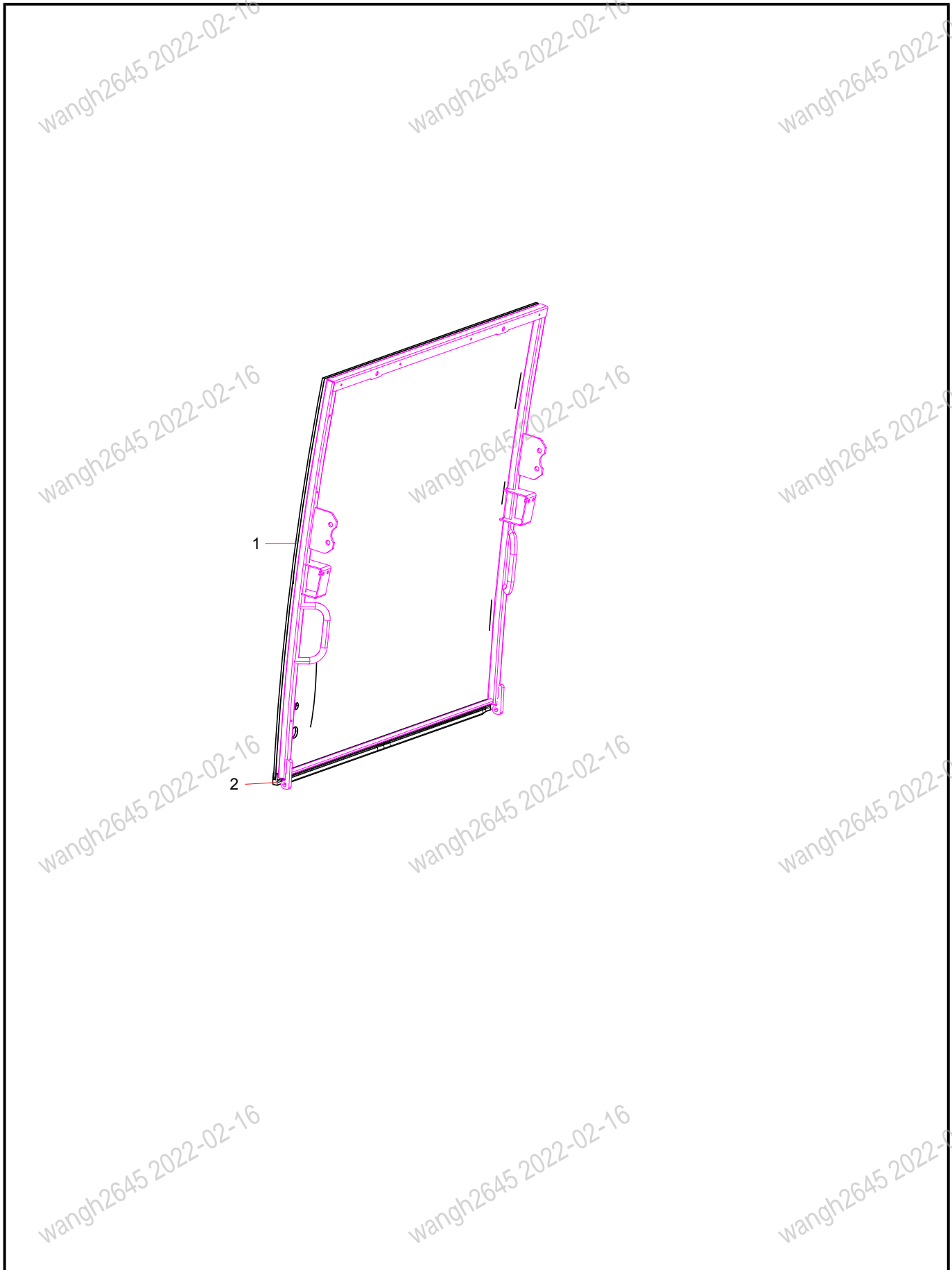
130988000387A Door assembly



130988000387A Door assembly

INDEX	PART NO.	DESCRIPTION	QTY	SEE PAGE
1	130901000234A001	the glass of driving cab	1	
2	130901000234A002	the glass of driving cab	1	
3	130901000234A003	Door Weld Assembly	1	
4	130901000234A004	Cab Door Lock	1	
5	130901000234A005	Lock Catch	1	
6	130901000234A006	Door Lock Cover	1	
7	130901000234A007	Door Rubber Strip	1	

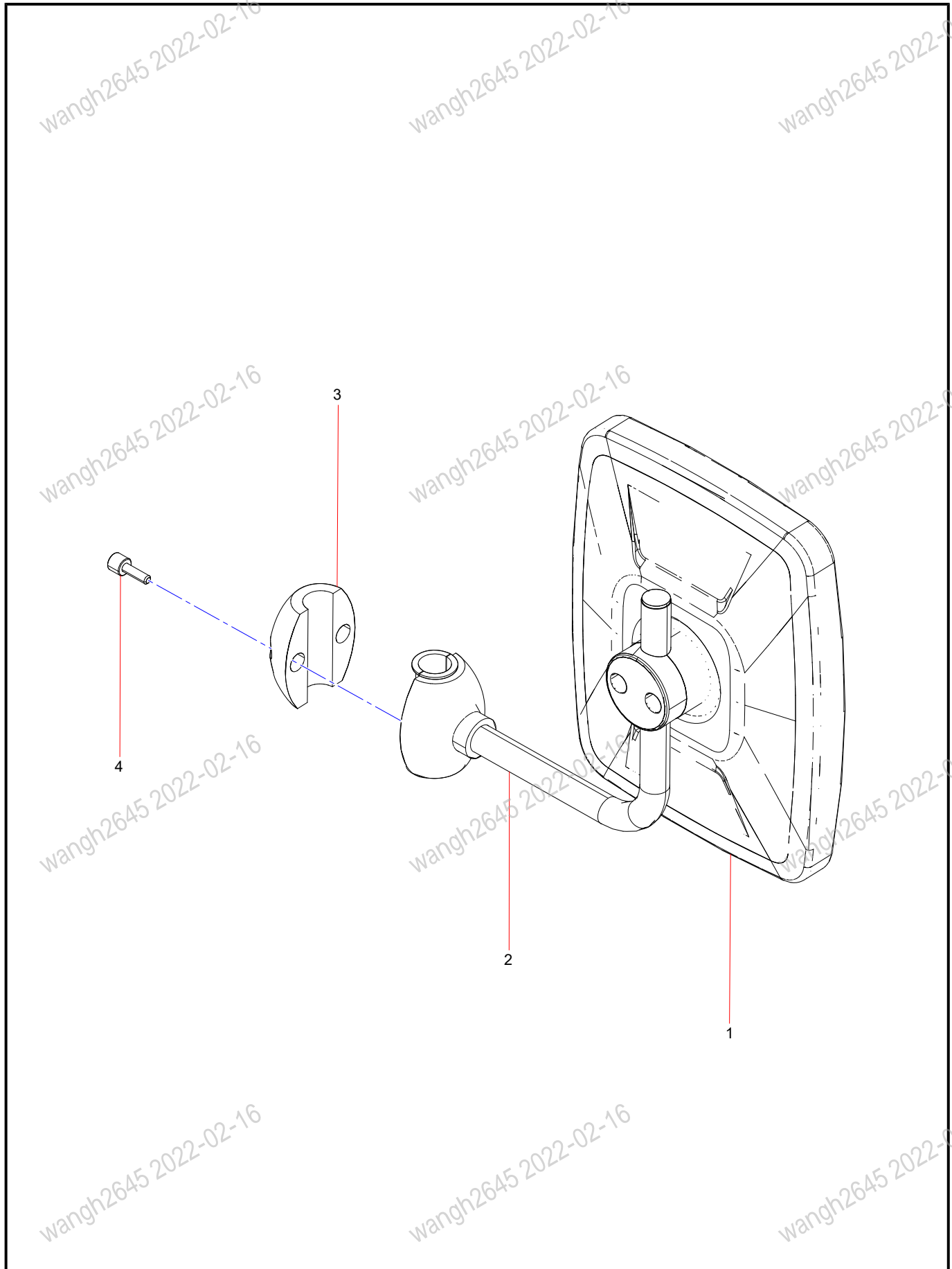
130988000399A Front Sliding Window



130988000399A Front Sliding Window

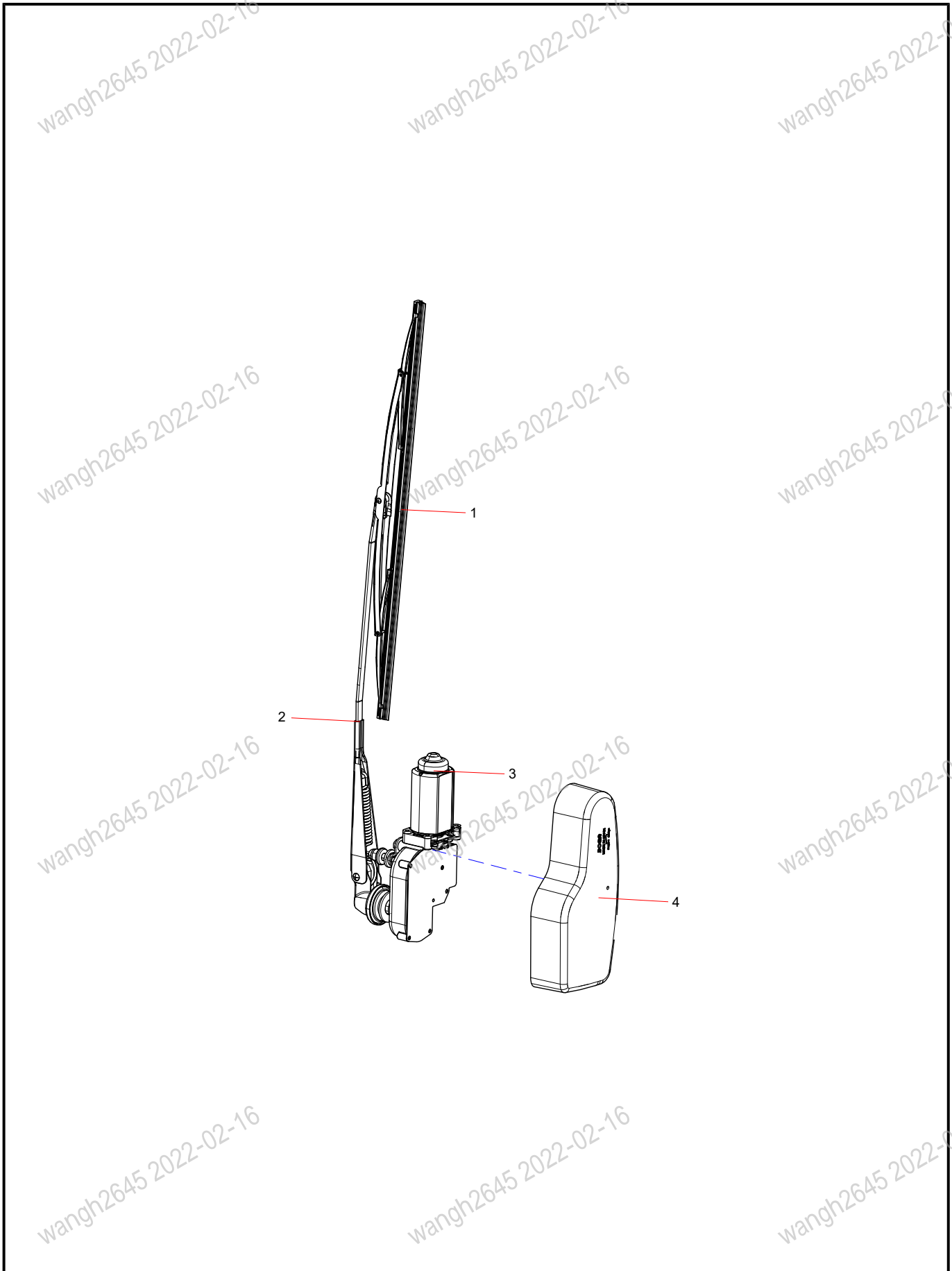
INDEX	PART NO.	DESCRIPTION	QTY	SEE PAGE
1	130988000400A	Front side up-move glass	1	
2	130988000401A	Lower rubber strip of front window	1	

60166748 Rearview



INDEX	PART NO.	DESCRIPTION	QTY	SEE PAGE
1	A229900001398	Rear-view Mirror Assy	1	
2	60166738	Support of Rearview Mirror (2)	1	
3	60166737	Support of Rearview Mirror (1)	1	
4	A210204000181	Screw	2	

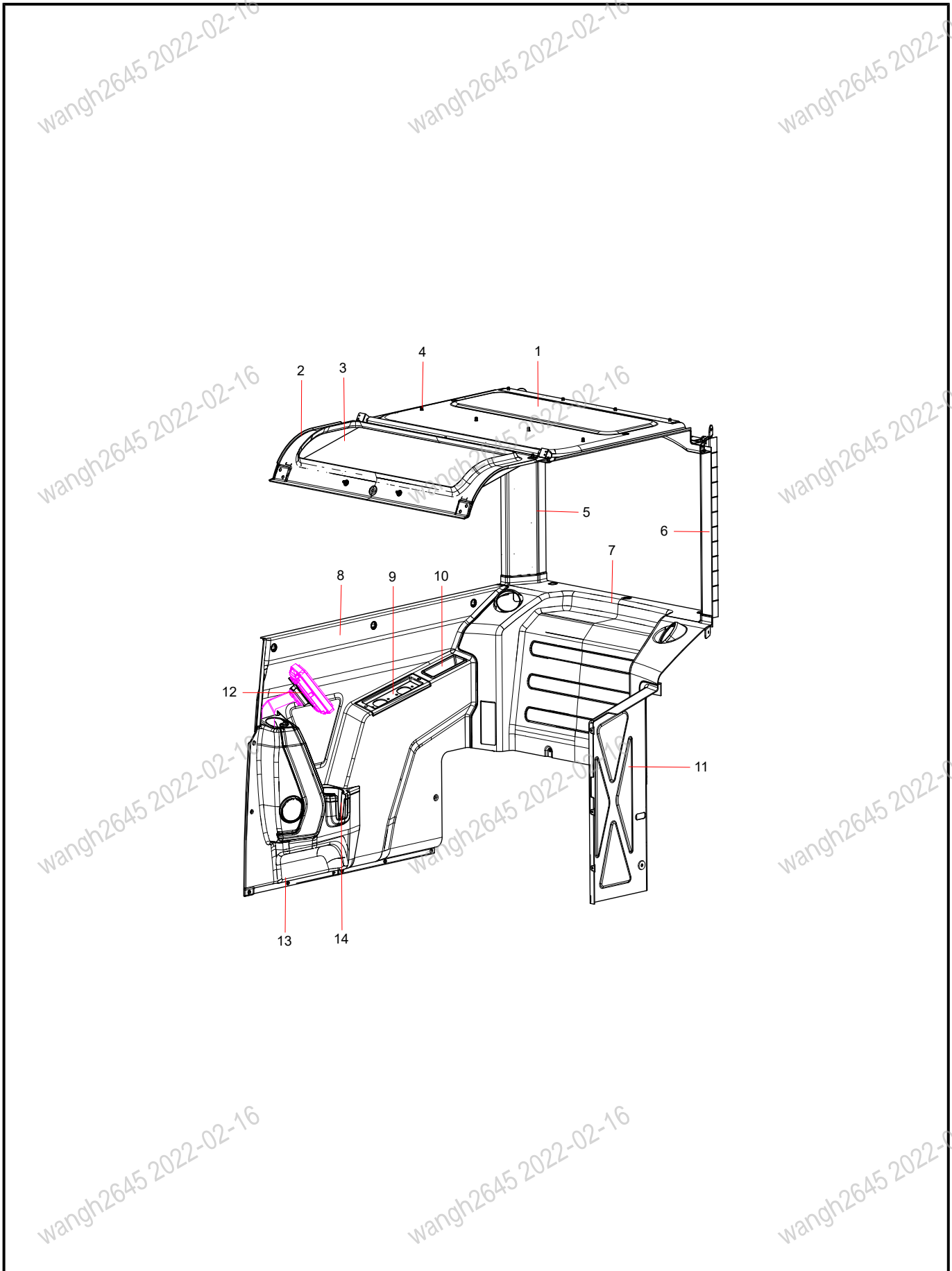
130988000391A Windscreen wiper assembly



130988000391A Windscreen wiper assembly

INDEX	PART NO.	DESCRIPTION	QTY	SEE PAGE
1	60349315	Wiper Blade	1	
2	130988000469A	Wiper arm	1	
3	130988000394A	Windscreen wiper	1	
4	130988000393A	Plastic case outside wiper	1	

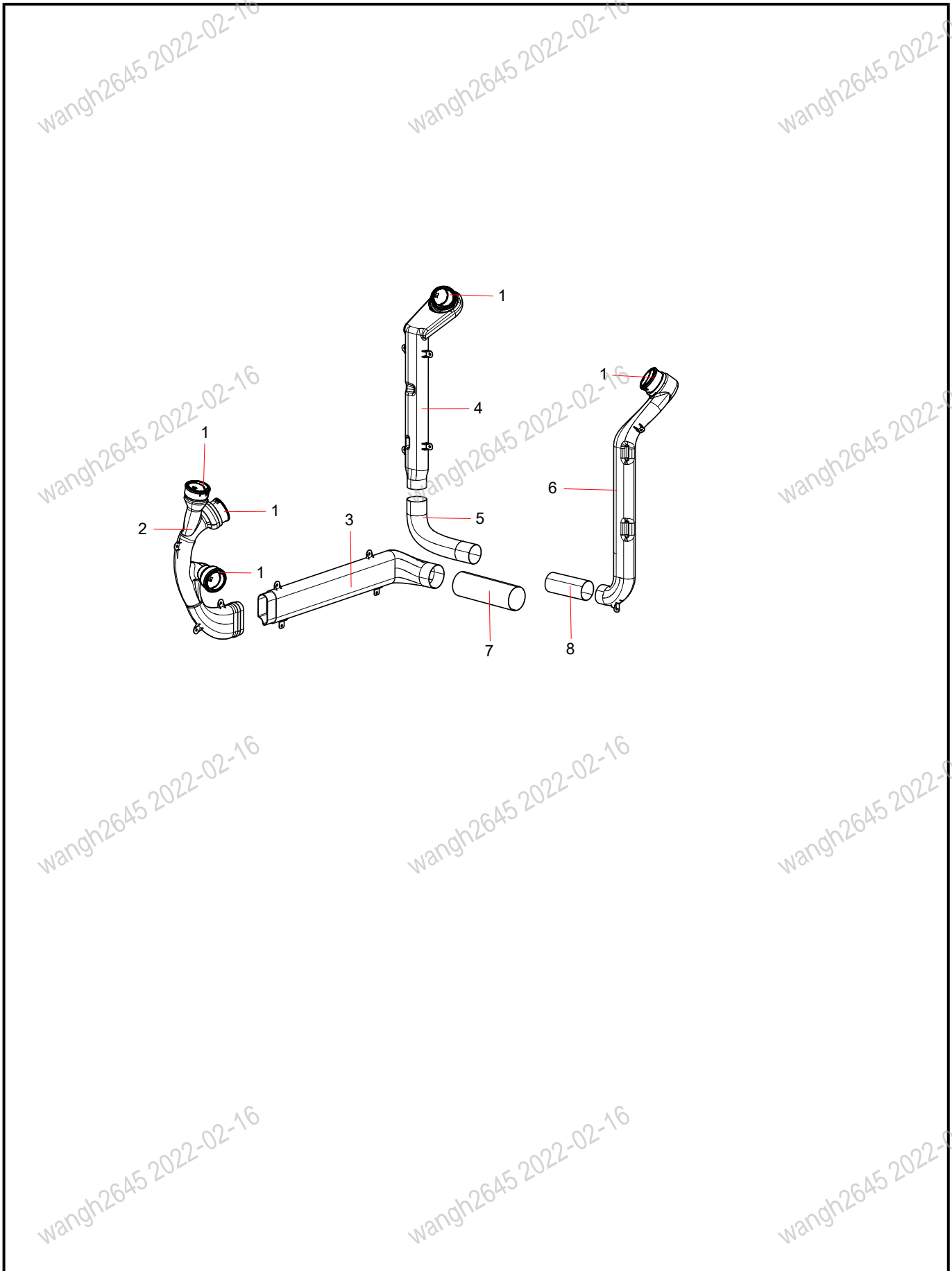
130988000369A Internal decoration assembly



130988000369A Internal decoration assembly

INDEX	PART NO.	DESCRIPTION	QTY	SEE PAGE
1	130988000384A	Top trim	3	
2	130988000385A	Sunroof trim	1	
3	130988000386A	Skylight shade assembly	1	
4	60052639	Bayonet Catch of Top Shed	20	
5	130988000382A	Right-back trim	1	
6	130988000381A	Left-back trim	1	
7	130988000370A	Back trim	1	
8	130988000376A	Right trim	1	
9	130988000374A	Key panel mounting seat	1	
10	130988000372A	Glove case	1	
11	130988000371A	Left trim	1	
12	130988000377A	Bracket of display screen	1	
13	130988000375A	Right-front trim	1	
14	130988000373A	Water cup seat	1	

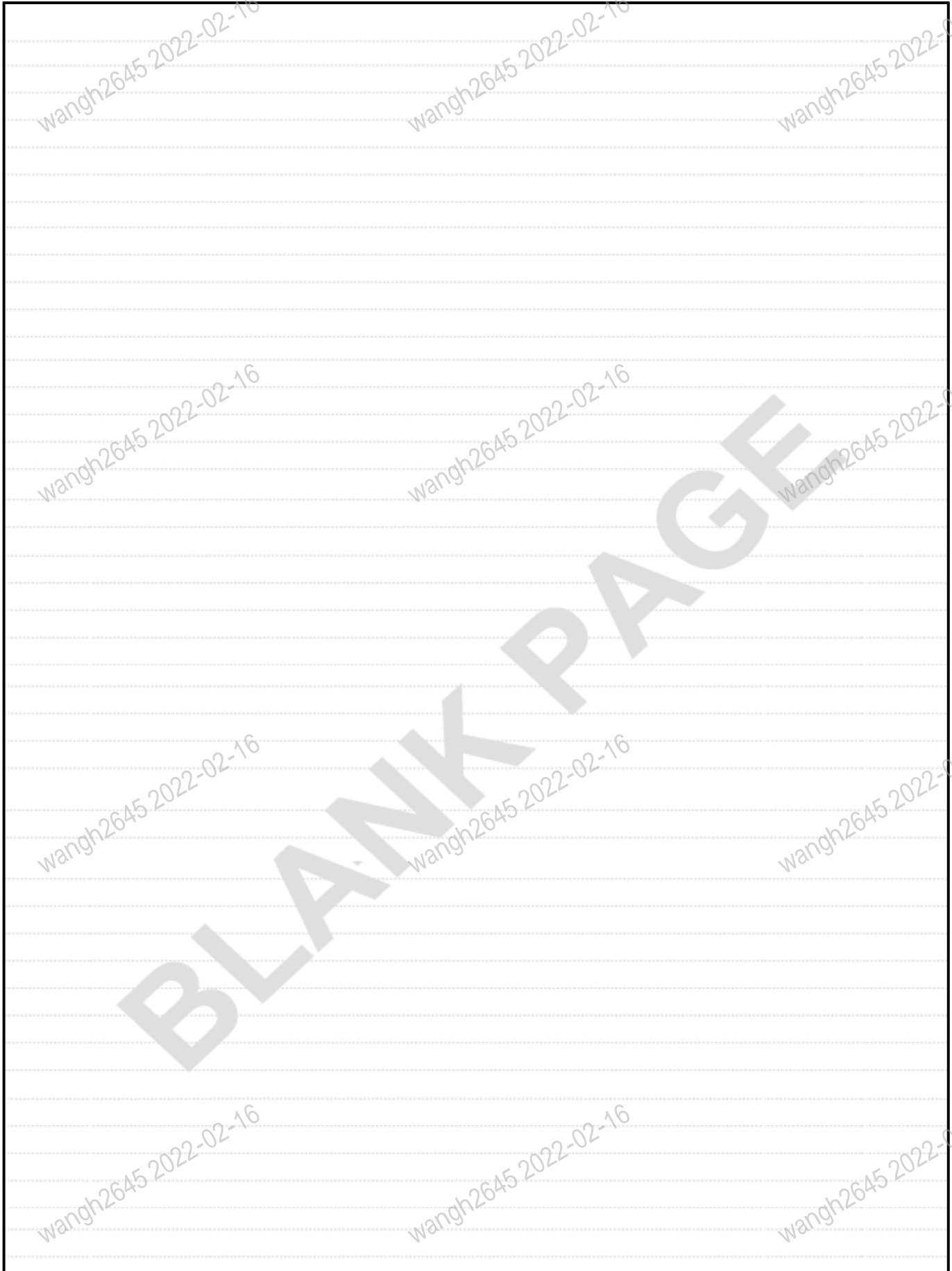
130988000361A Vane assembly



130988000361A Vane assembly

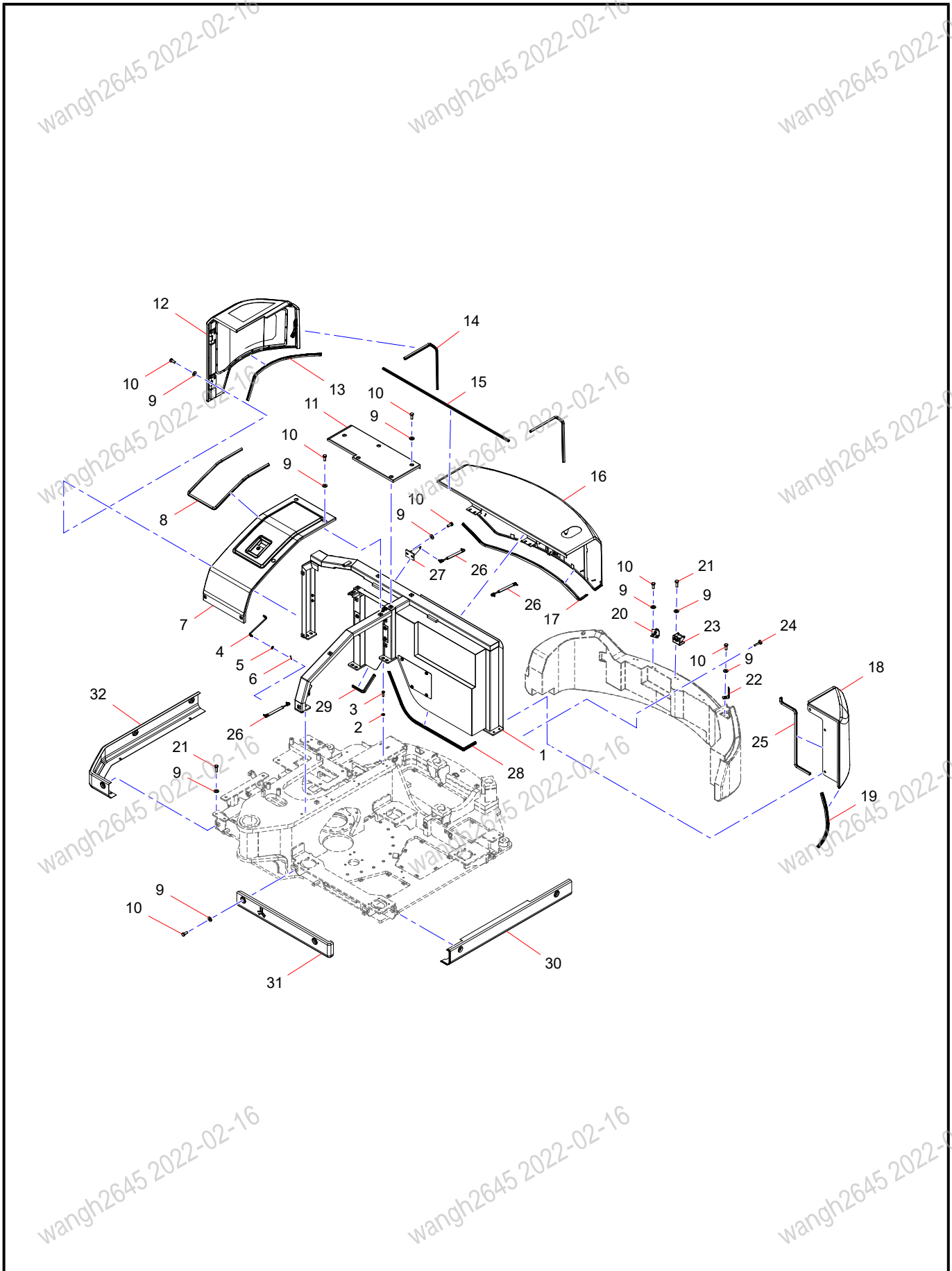
INDEX	PART NO.	DESCRIPTION	QTY	SEE PAGE
1	130988000362A	Air outlet	3	
2	130988000363A	Right front air duct	1	
3	130988000364A	Central duct	1	
4	130988000366A	Right rear duct	1	
5	130988000379A	Right rear duct connecting pipe	1	
6	130988000365A	Left rear duct	1	
7	130988000380A	Central air duct connecting pipe	1	
8	130988000378A	Left rear duct connecting pipe	1	

130988000361A Vane assembly



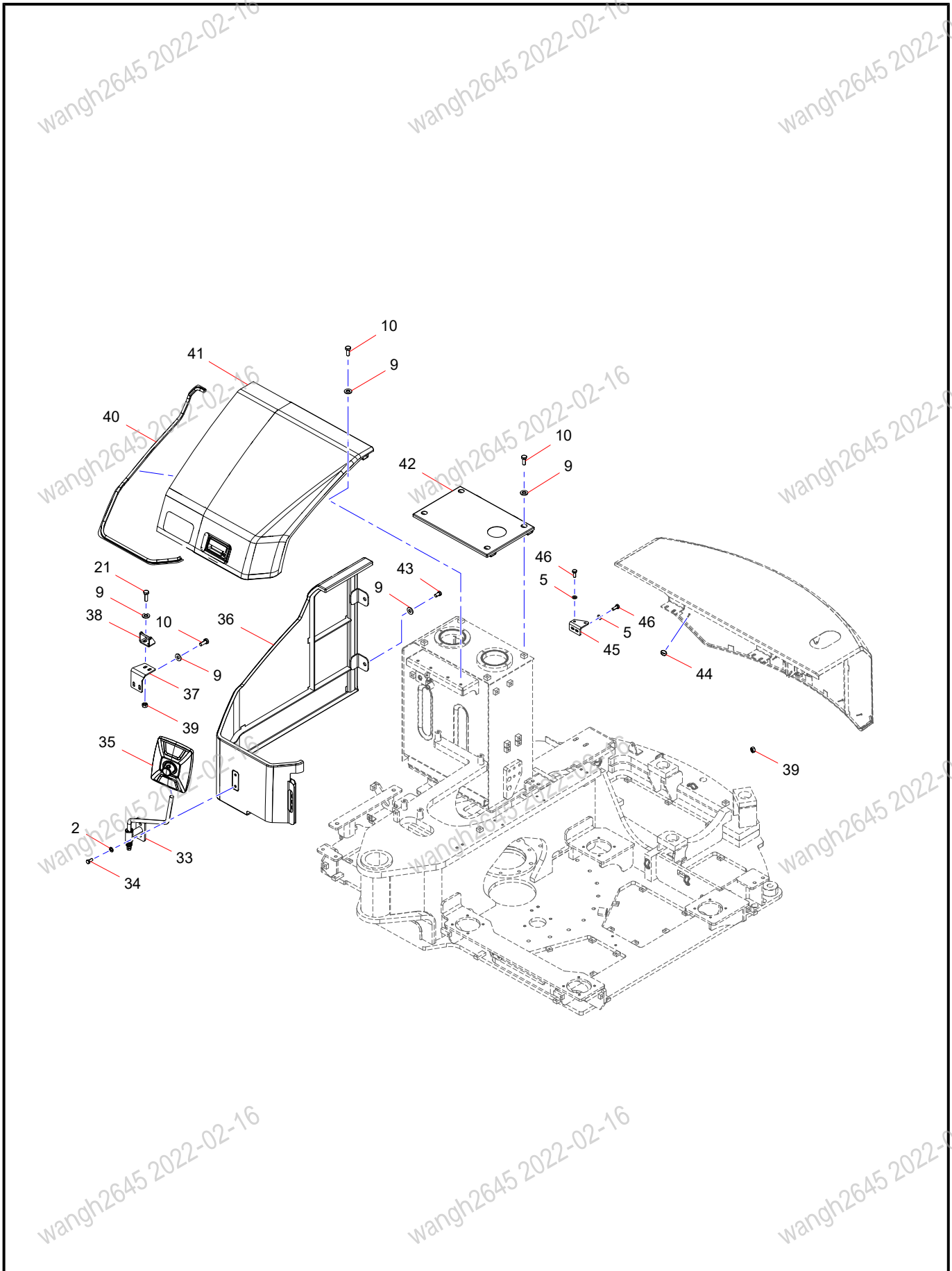
Group 7
Cover group

Cover group (1/2)



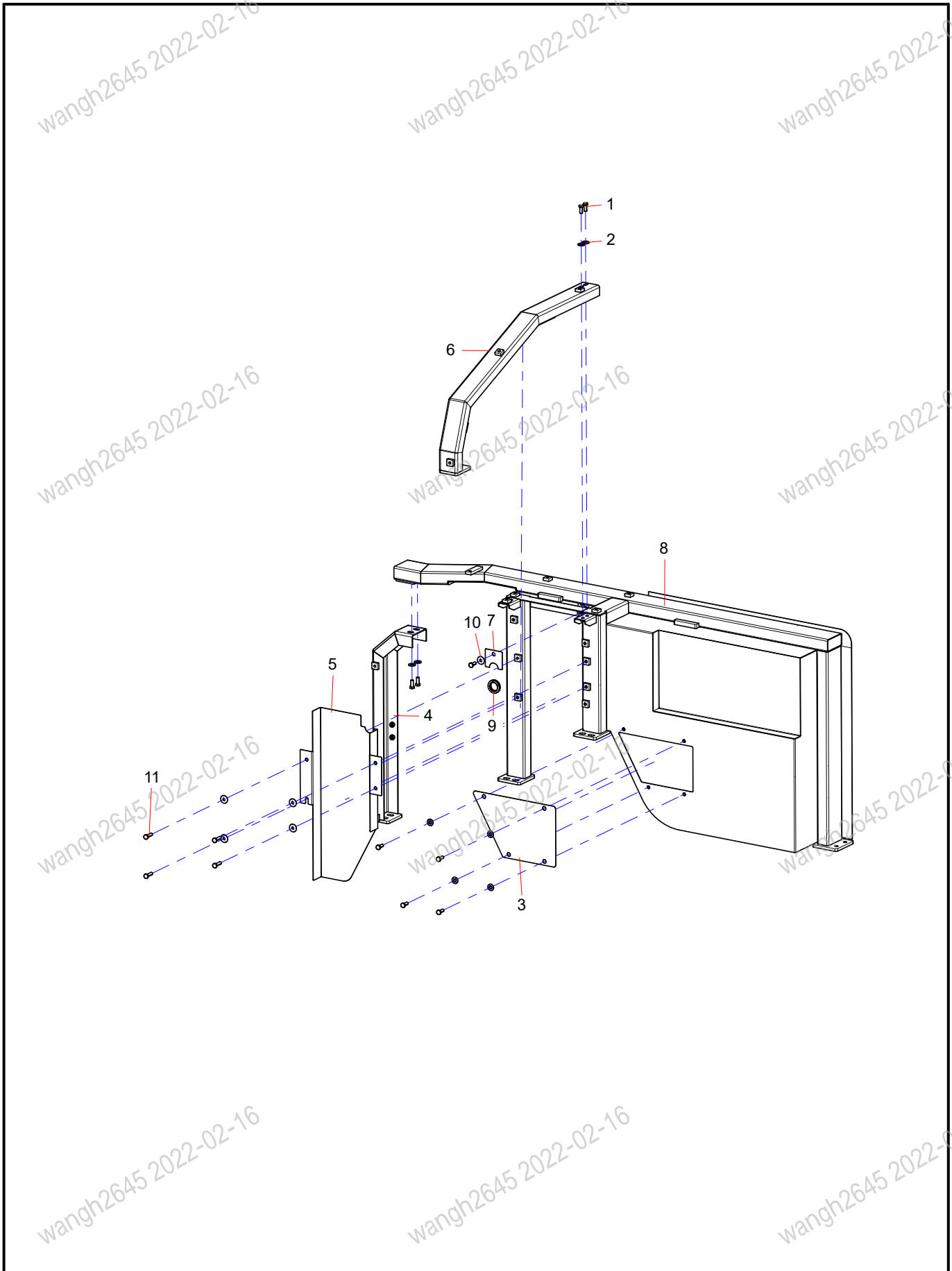
INDEX	PART NO.	DESCRIPTION	QTY	SEE PAGE
1	14408722	Bracket AS	1	7-6
2	A210491000121	Washer	12	
3	A210111000203	Bolt	10	
4	13088526	Wind Hook	1	
5	24000633	Washer	6	
6	A210491000007	Pin	2	
7	14408822	Cover AS, upper	1	7-8
8	14408972	Seal	1	
9	A210491000120	Washer	65	
10	A210111000197	Bolt	55	
11	14408816	Cover, upper	1	
12	SSY006687049	Door, GP, right	1	7-10
13	14408975	Seal , right	1	
14	14408966	Seal	2	
15	14408970	Seal	1	
16	14408688	Engine hood AS	1	7-12
17	14408976	Seal , back	1	
18	14408865	Door, GP, left	1	
19	14408965	Seal	1	
20	13088595	Limit Board Assembly	1	
21	A210111000024	Bolt	6	
22	14408964	Bracket	1	
23	11292833	General Assembly of Locker	1	
24	A810502019056	Set Screw	1	
25	14408969	Seal	1	
26	60078540	Rear Hood Gas Spring	3	
27	14408940	Bracket Component	2	
28	14290811	Seal , bottom	1	
29	14290812	Seal , bottom	1	
30	14408974	Beam , left	1	
31	14408963	Beam , front	1	
32	14408968	Beam , right	1	

Cover group (2/2)



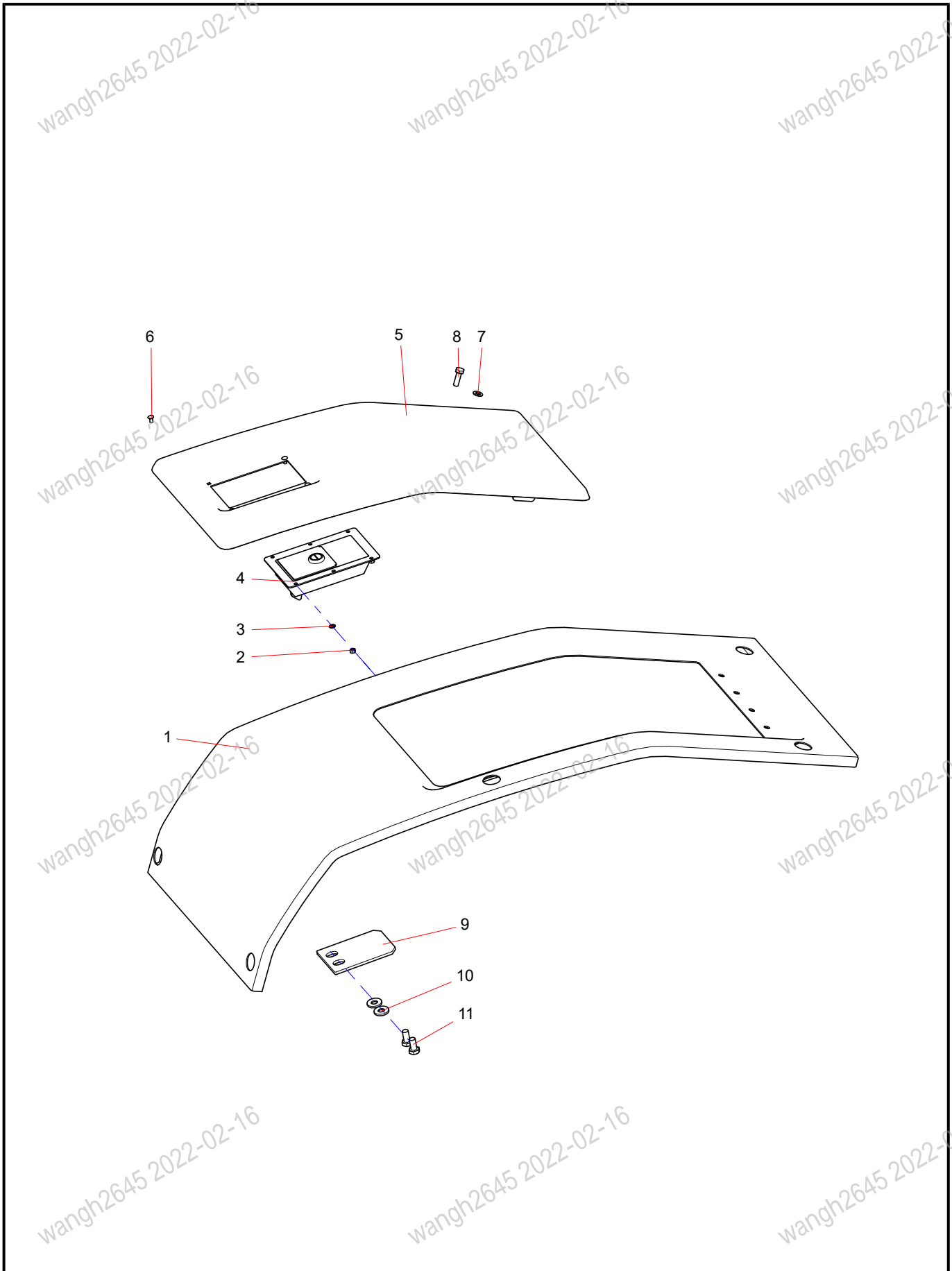
INDEX	PART NO.	DESCRIPTION	QTY	SEE PAGE
33	14318571	back mirror components	1	
34	A210111000101	Bolt	2	
35	60228208	Rearview Mirror	1	
36	14408205	front engine hood brattice	1	
37	14408973	Stay	1	
38	11262199	Locker Assem	1	
39	A210307000036	Nut	3	
40	14408971	Seal	1	
41	14408510	front cover	1	7-14
42	14290797	cover plate on the fueling tank	1	
43	A210111000195	Bolt	2	
44	11961759	Cramp	16	
45	SSY005817816	inhibiting device	1	
46	A210111000343	Bolt	4	

14408722 Bracket AS



INDEX	PART NO.	DESCRIPTION	QTY	SEE PAGE
1	A210111000197	Bolt	9	
2	A210491000120	Washer	9	
3	14408721	Partition	1	
4	14290713	Bracket	1	
5	14290696	Partition	1	
6	14408731	Bracket	1	
7	14290688	Plate	1	
8	14408728	Bracket	1	
9	14453752	Rubber sleeve	1	
10	A210404000003	Washer	5	
11	A210111000025	Bolt	4	

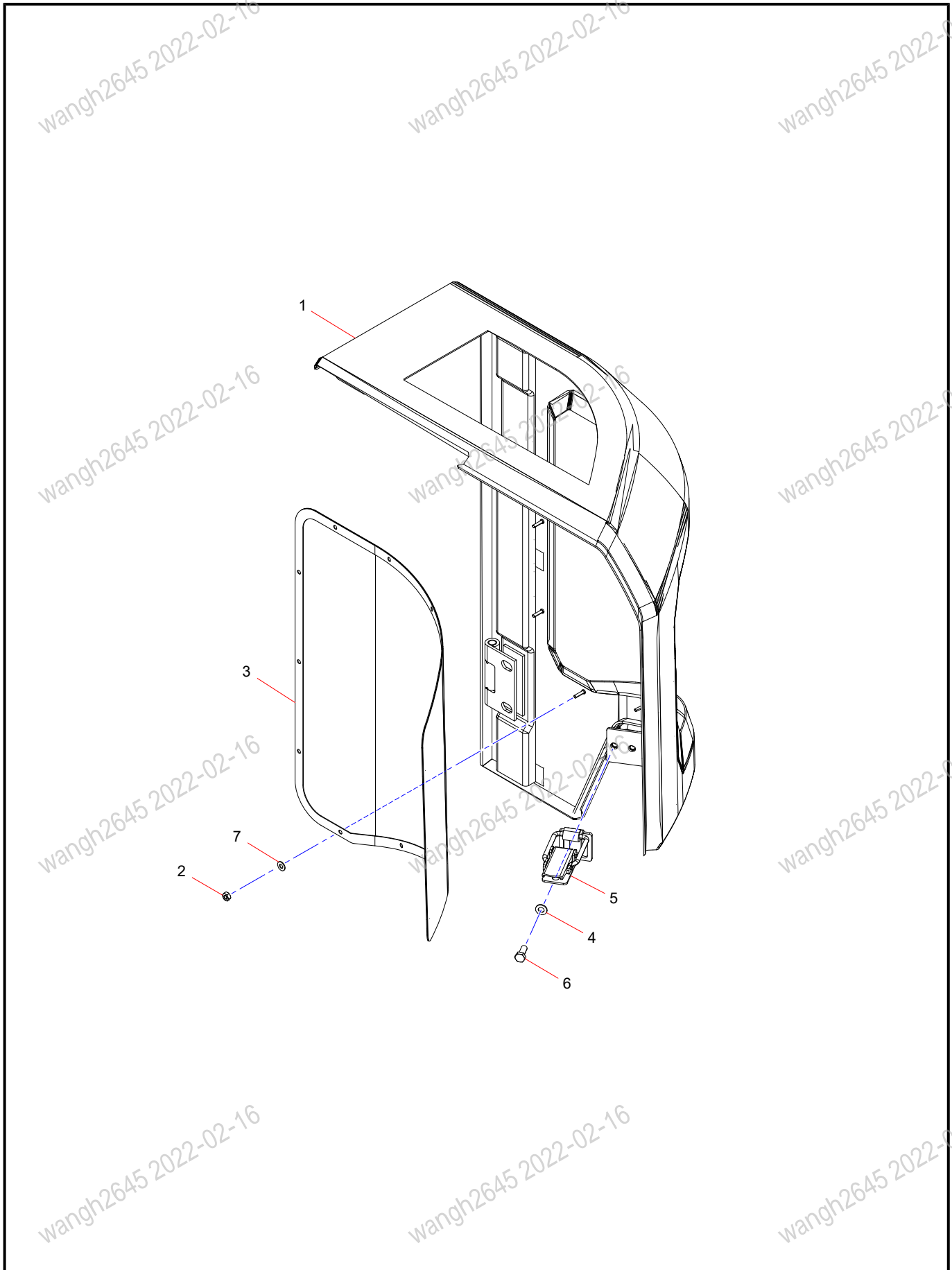
14408822 Cover AS, upper



14408822 Cover AS, upper

INDEX	PART NO.	DESCRIPTION	QTY	SEE PAGE
1	14408829	Cover, upper	1	
2	A210307000015	Nut	4	
3	24000630	Washer	4	
4	A222200000012	Door Lock	1	
5	14408833	Cover, upper	1	
6	11817247	Fix Board	4	
7	24000633	Washer	4	
8	24000530	Bolt	4	
9	A820101118440	Door-shaft seal	1	
10	A210491000120	Washer	2	
11	A210111000012	Bolt	2	

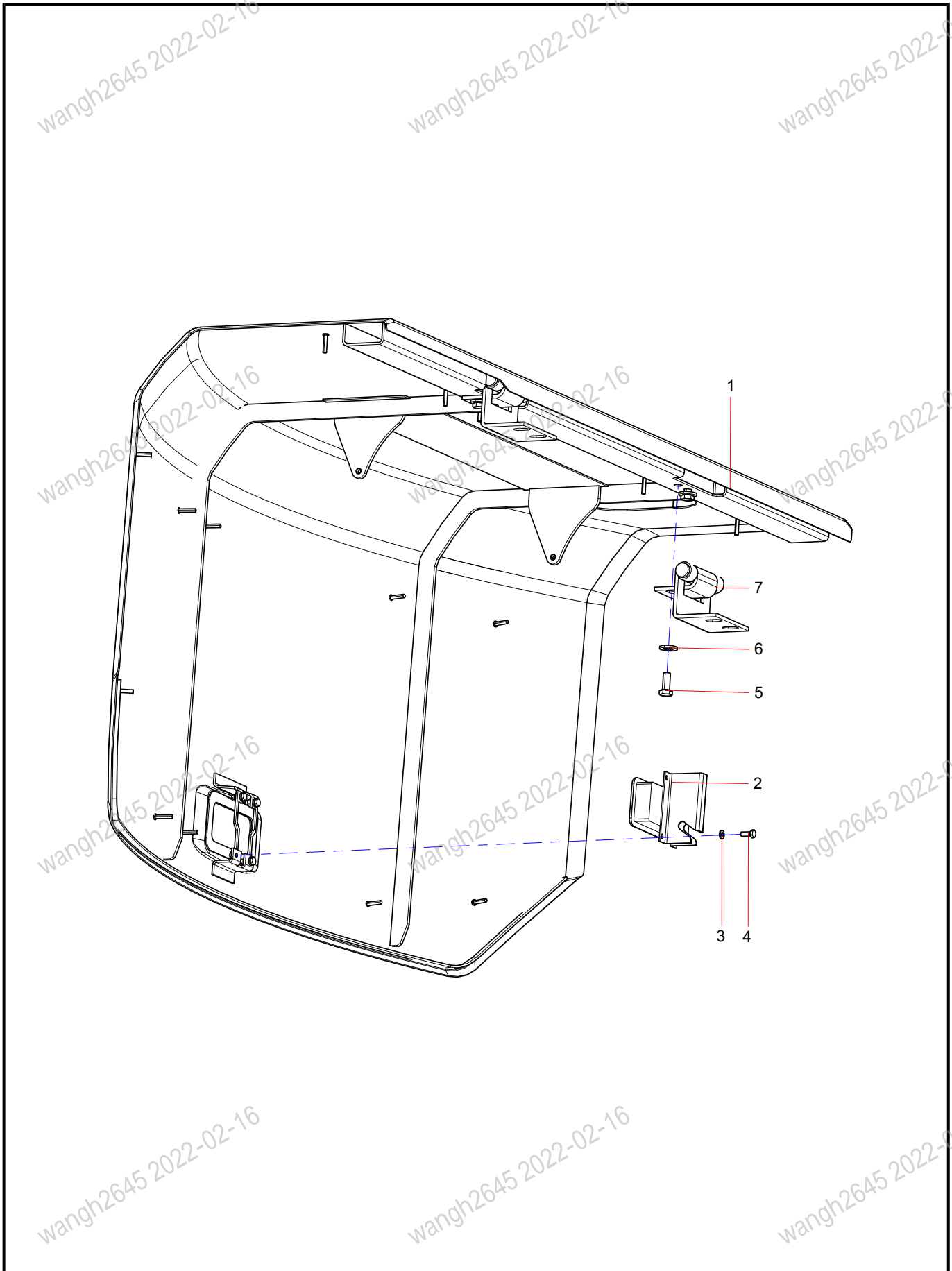
SSY006687049 Door, GP, right



SSY006687049 Door, GP, right

INDEX	PART NO.	DESCRIPTION	QTY	SEE PAGE
1	SSY006686006	Door, GP, right	1	
2	A210307000014	Nut	14	
3	14408574	Dust-proof net	1	
4	24000633	Washer	2	
5	130907000255A	padlock	1	
6	A210111000343	Bolt	2	
7	60060562	Washer	14	

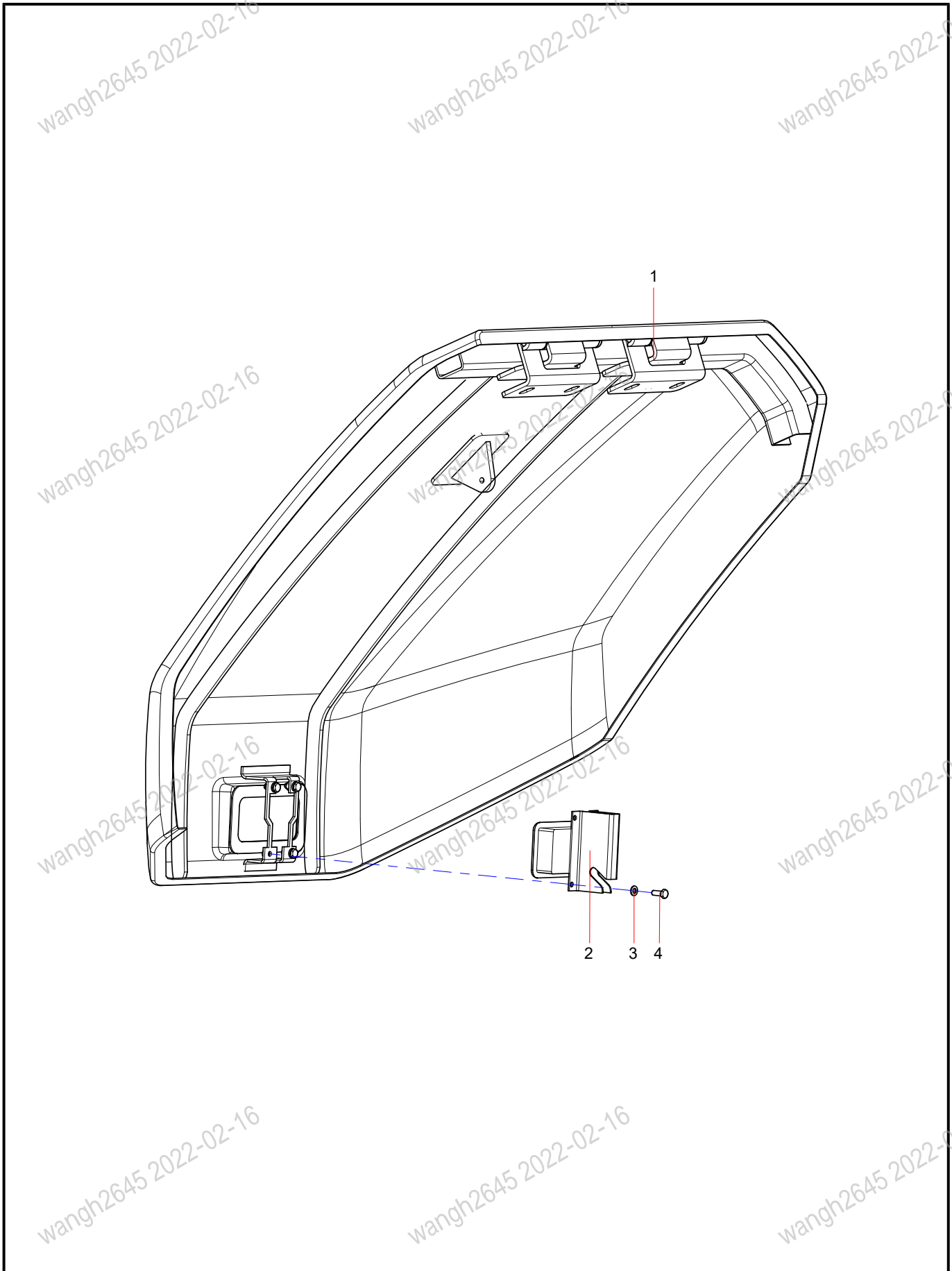
14408688 Engine hood AS



14408688 Engine hood AS

INDEX	PART NO.	DESCRIPTION	QTY	SEE PAGE
1	14408696	Engine hood	1	
2	A222200000103	Bonnet Lock	1	
3	24000632	Washer	4	
4	A210111000079	Bolt	4	
5	A210111000197	Bolt	4	
6	A210491000120	Washer	4	
7	10536806	Hinge	2	

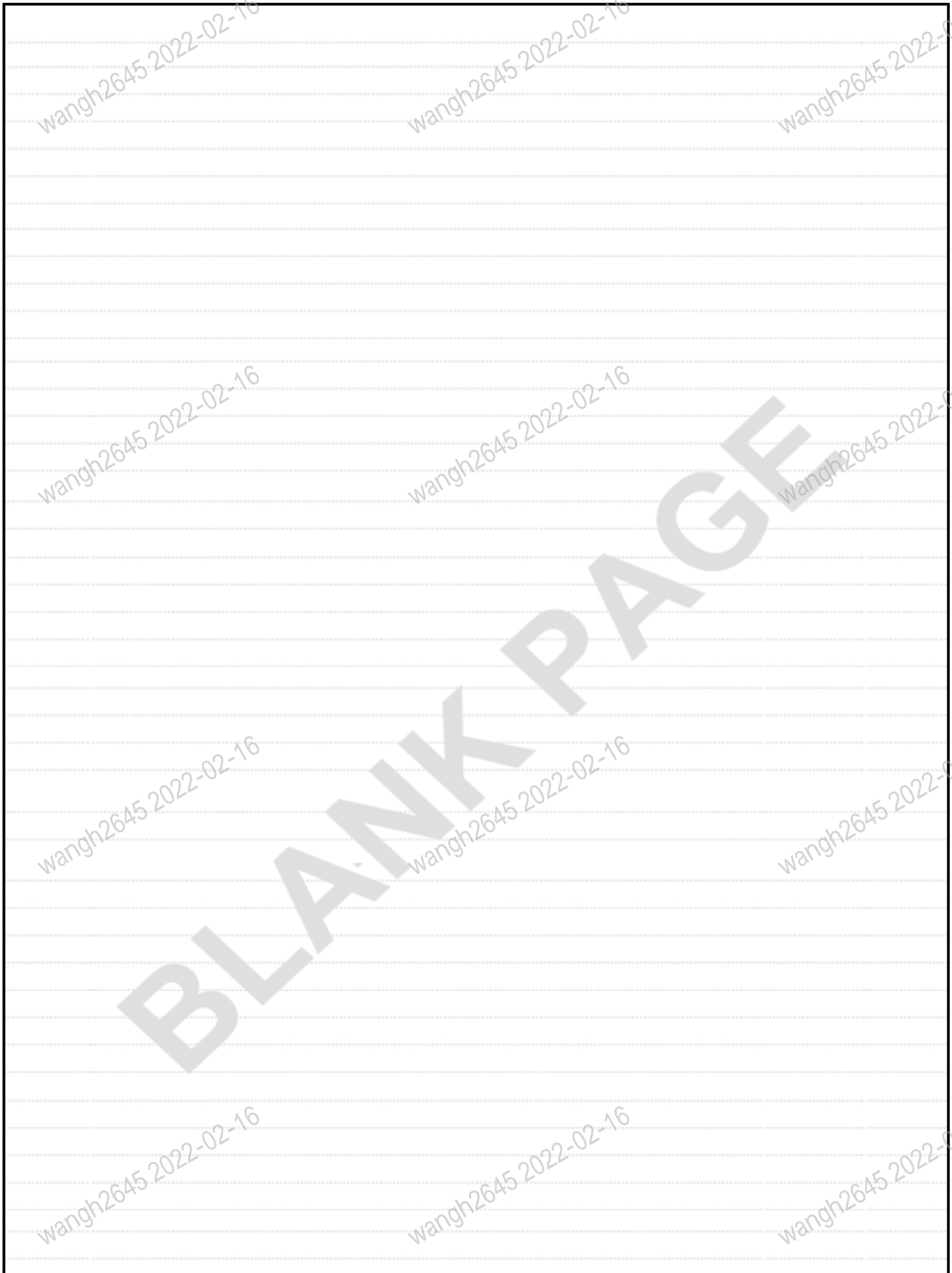
14408510 front cover



14408510 front cover

INDEX	PART NO.	DESCRIPTION	QTY	SEE PAGE
1	14408515	front cover	1	
2	A222200000103	Bonnet Lock	1	
3	24000632	Washer	4	
4	A210111000079	Bolt	4	

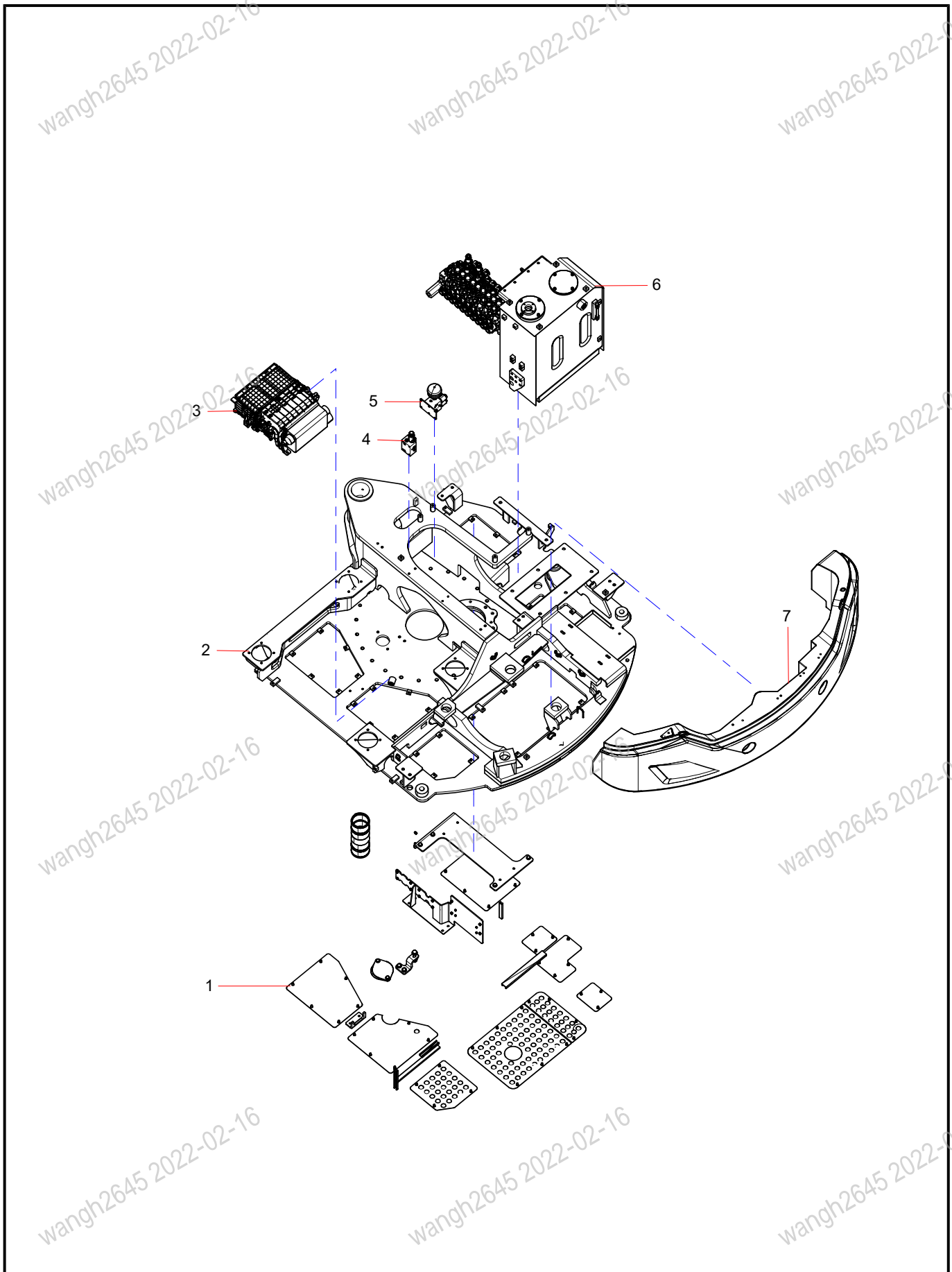
14408510 front cover



Group 8

Superstructure Assembly

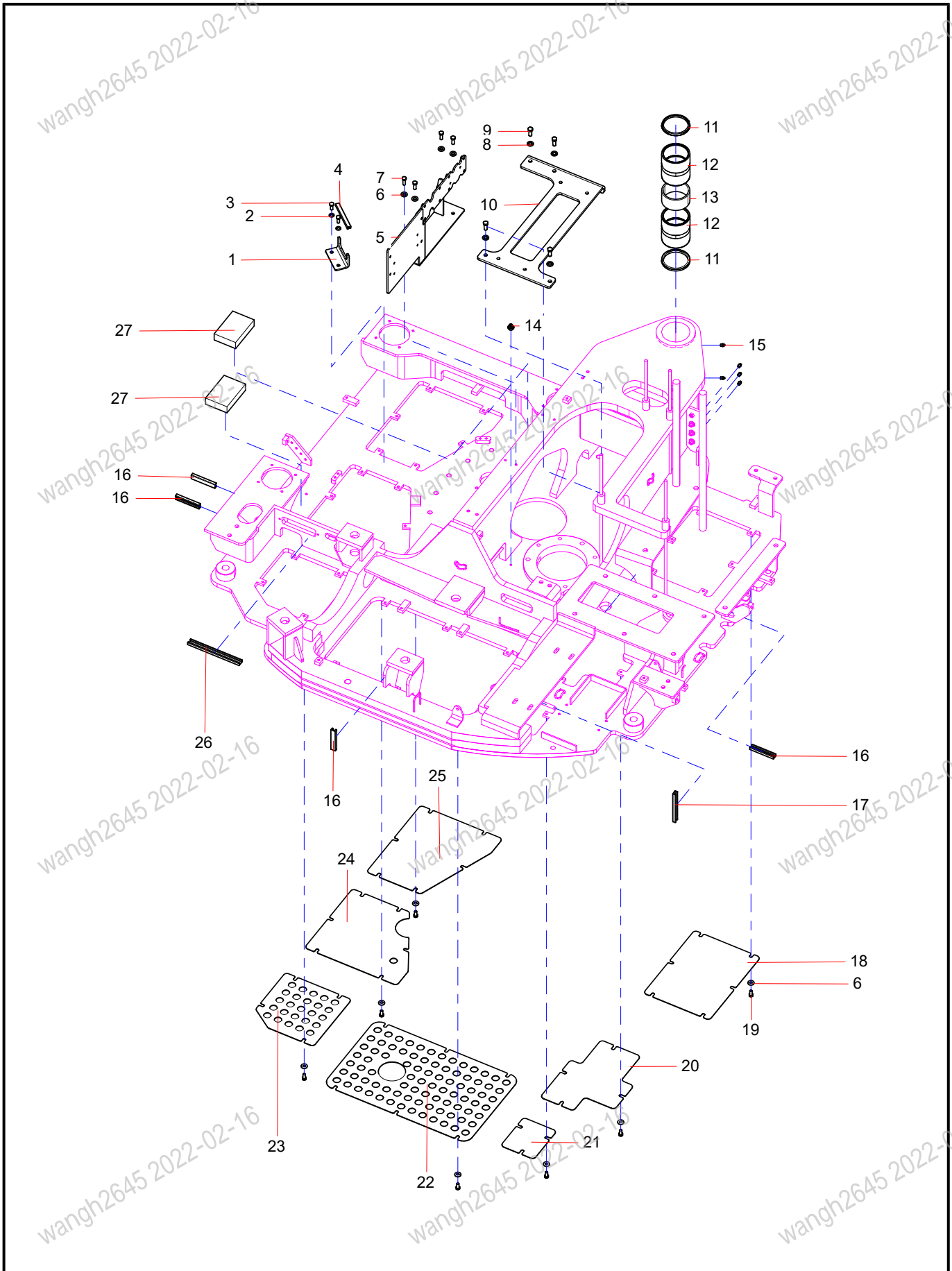
Superstructure Assembly



Superstructure Assembly

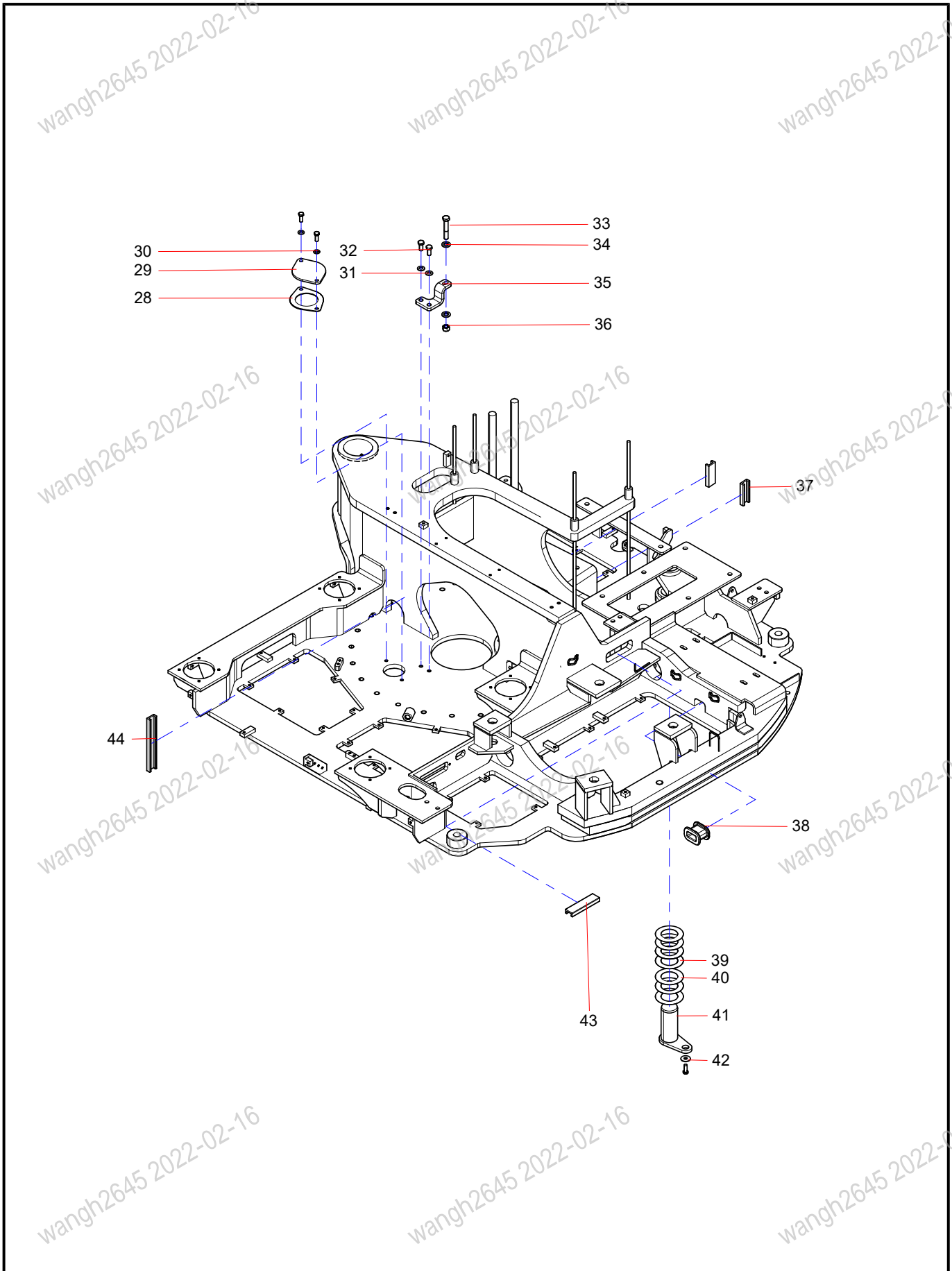
INDEX	PART NO.	DESCRIPTION	QTY	SEE PAGE
1		sealing board assembly	1	8-4
2	14282822	Upper Structure	1	
3		Air Condition	1	8-8
4		Pilot Pipeline	1	8-14
5		Pilot Pipeline I	1	8-78
6		hydraulic main pipeline	1	8-80
7		Counterweight	1	8-138

sealing board assembly (1/2)



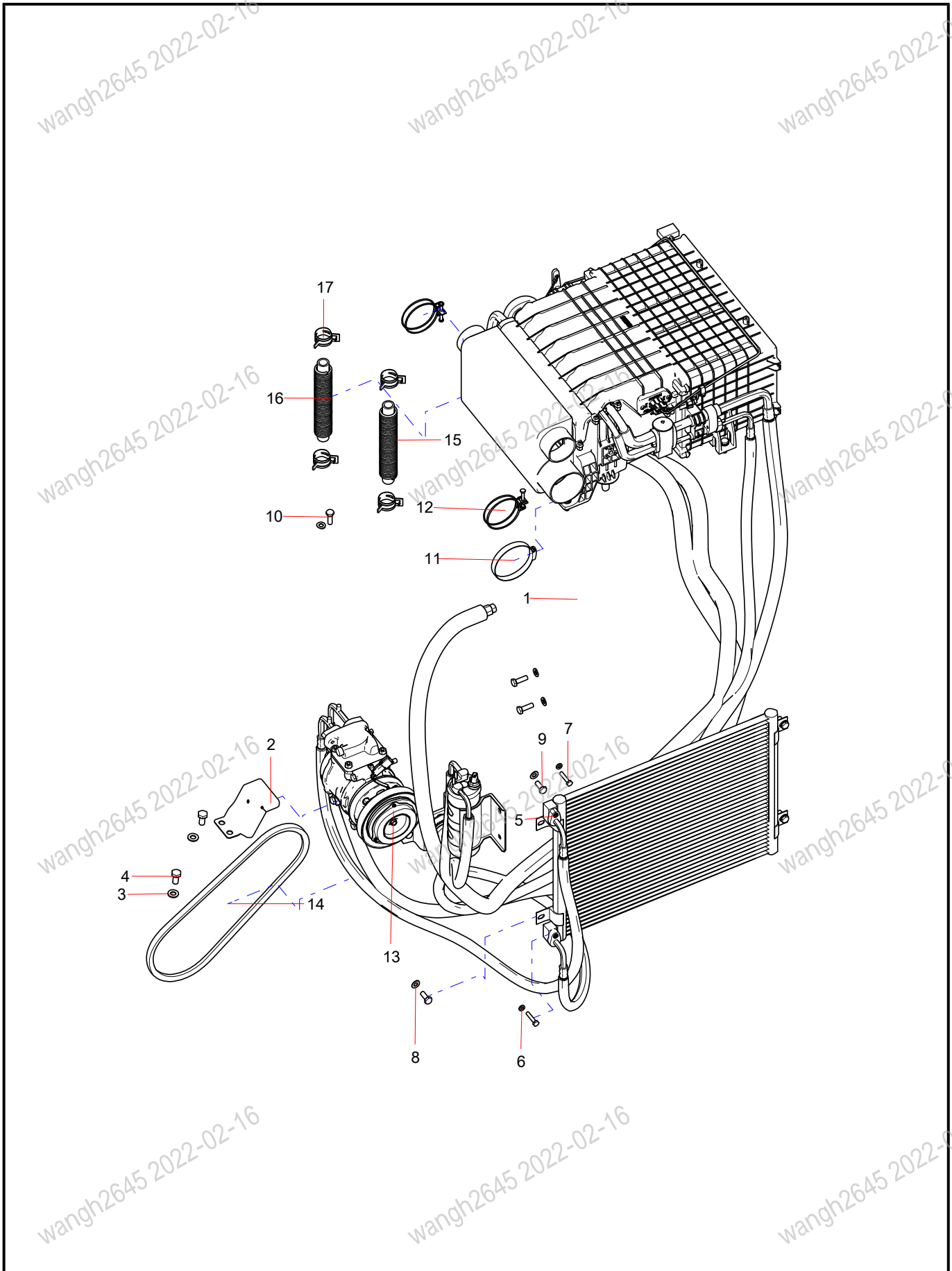
INDEX	PART NO.	DESCRIPTION	QTY	SEE PAGE
1	SSY004594815	mounting plate	1	
2	21001328	Washer	2	
3	A210111000197	Bolt	2	
4	13036166	Protective Sleeve	1	
5	14353780	installation frame	1	
6	A210491000120	Washer	39	
7	A210111000024	Bolt	4	
8	A210491000121	Washer	4	
9	A210111000202	Bolt	7	
10	14283428	main valve bracket	1	
11	B230101000464	Dust ring-ME-2 100A	2	
12	10514130	Shaft Sleeve	2	
13	14288277	fillet	1	
14	A820205000858	Fitting	1	
15	A210804000002	Oil Cup	5	
16	13817427	Protective sleeve	4	
17	12738042	Protective Sleeve	1	
18	14293688	right front sealing board	1	
19	A210111000012	Bolt	35	
20	14393859	right rear sealing board	1	
21	14293689	right central sealing board	1	
22	14393862	rear sealing board	1	
23	14293685	left rear sealing board	1	
24	14293684	left central sealing board	1	
25	14293683	left front sealing board	1	
26	11133788	Protective Sleeve	1	
27	SSY004737095	Vibration isolator Sponge	2	

sealing board assembly (2/2)



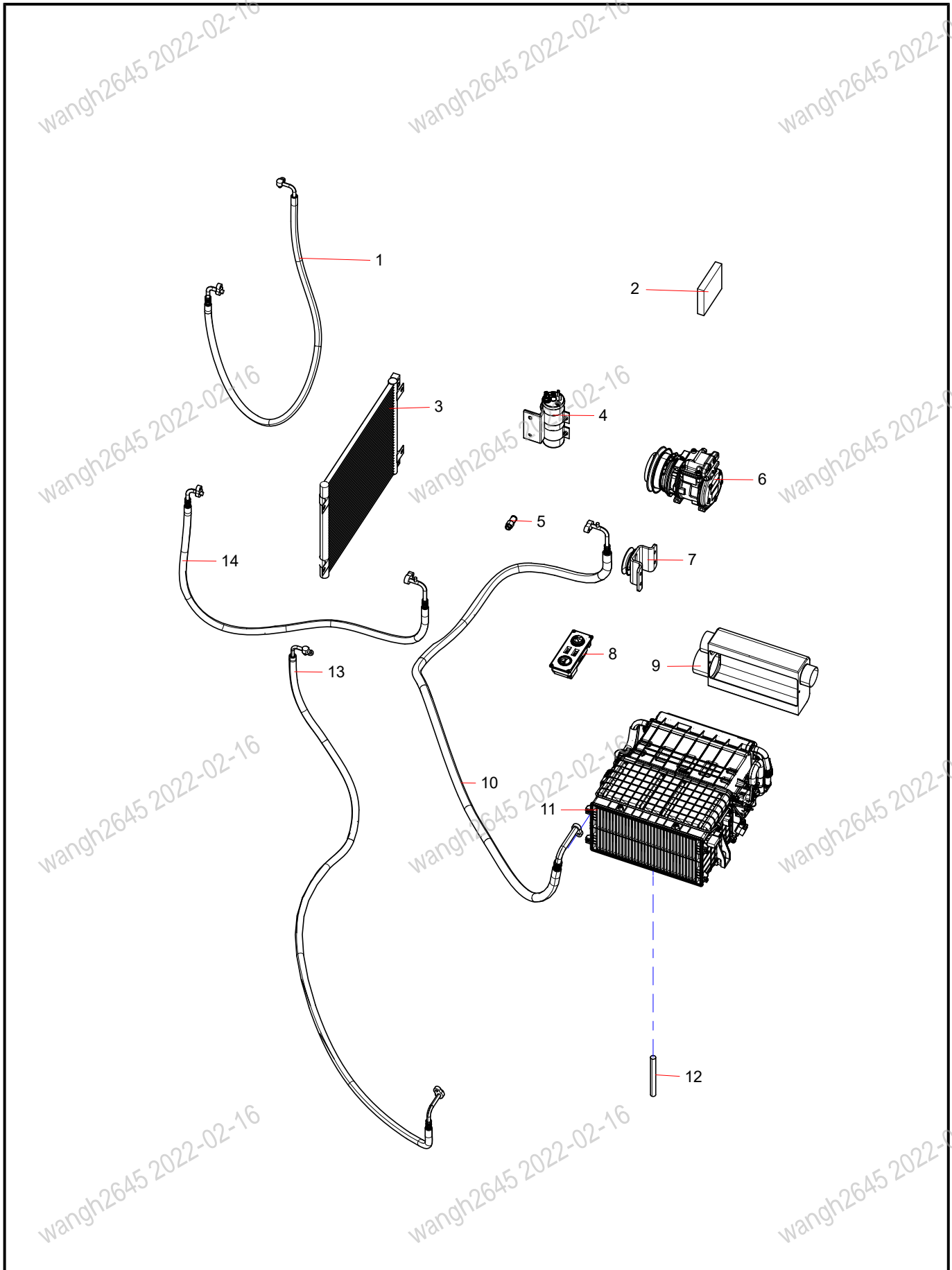
INDEX	PART NO.	DESCRIPTION	QTY	SEE PAGE
28	A820606030364	Gasket	1	
29	A820101117871	Cover	1	
30	24000639	Washer	2	
31	60238781	Washer	2	
32	A210111000205	Bolt	2	
33	A311141609016	Bolt	1	
34	A210491000118	Washer	2	
35	14285185	Fixed plate	1	
36	A210307000028	Nut	1	
37	13447215	Protective sleeve	2	
38	10764848	Protective sleeve	1	
39	A810312990208	Shim	4	
40	A810312990209	Shim	4	
41	14283979	Brace piece axial pin	1	
42	60060548	Washer	1	
43	13447217	Protective Sleeve	1	
44	13447216	Protective sleeve	1	

Air Condition



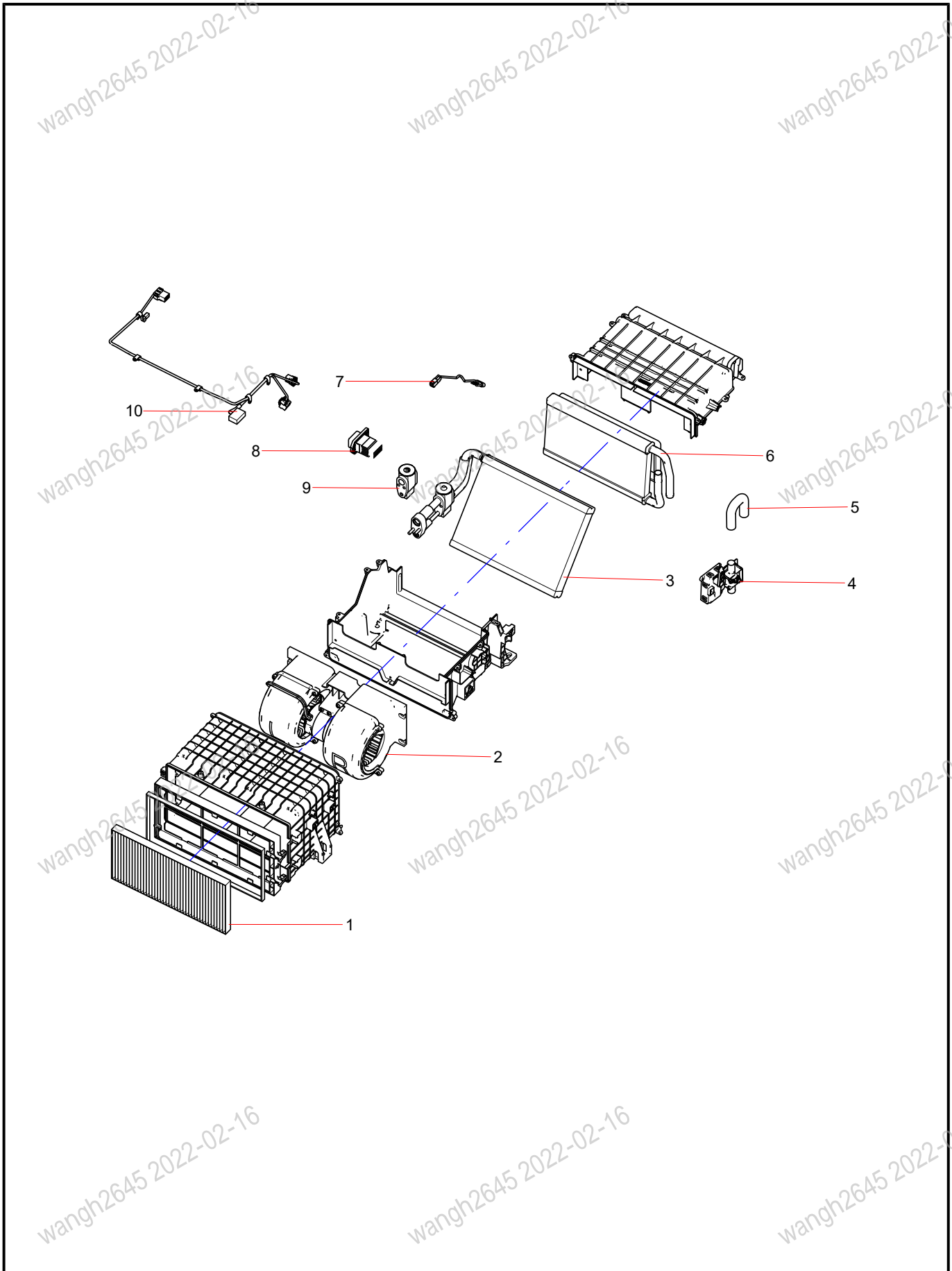
Air Condition

INDEX	PART NO.	DESCRIPTION	QTY	SEE PAGE
1	61028836	Air Condition	1	8-10
2	13418200	Compressor Protective	1	
3	24000637	Washer	2	
4	A210111000012	Bolt	2	
5	60060564	Washer	2	
6	24000632	Washer	2	
7	A210111000082	Bolt	2	
8	24000633	Washer	18	
9	A210111000343	Bolt	8	
10	A210111000323	Bolt	6	
11	A210855000014	Hose Hoop	1	
12	A210855000012	Throat Collar	2	
13	A210111000098	Bolt	4	
14	A230106000398	Triangular Belt	1	
15	13202041	Water Pipe	1	
16	13982387	Pipe, hot pipe, air conditioner	1	
17	60166393	Split Flow Gear Pump	4	

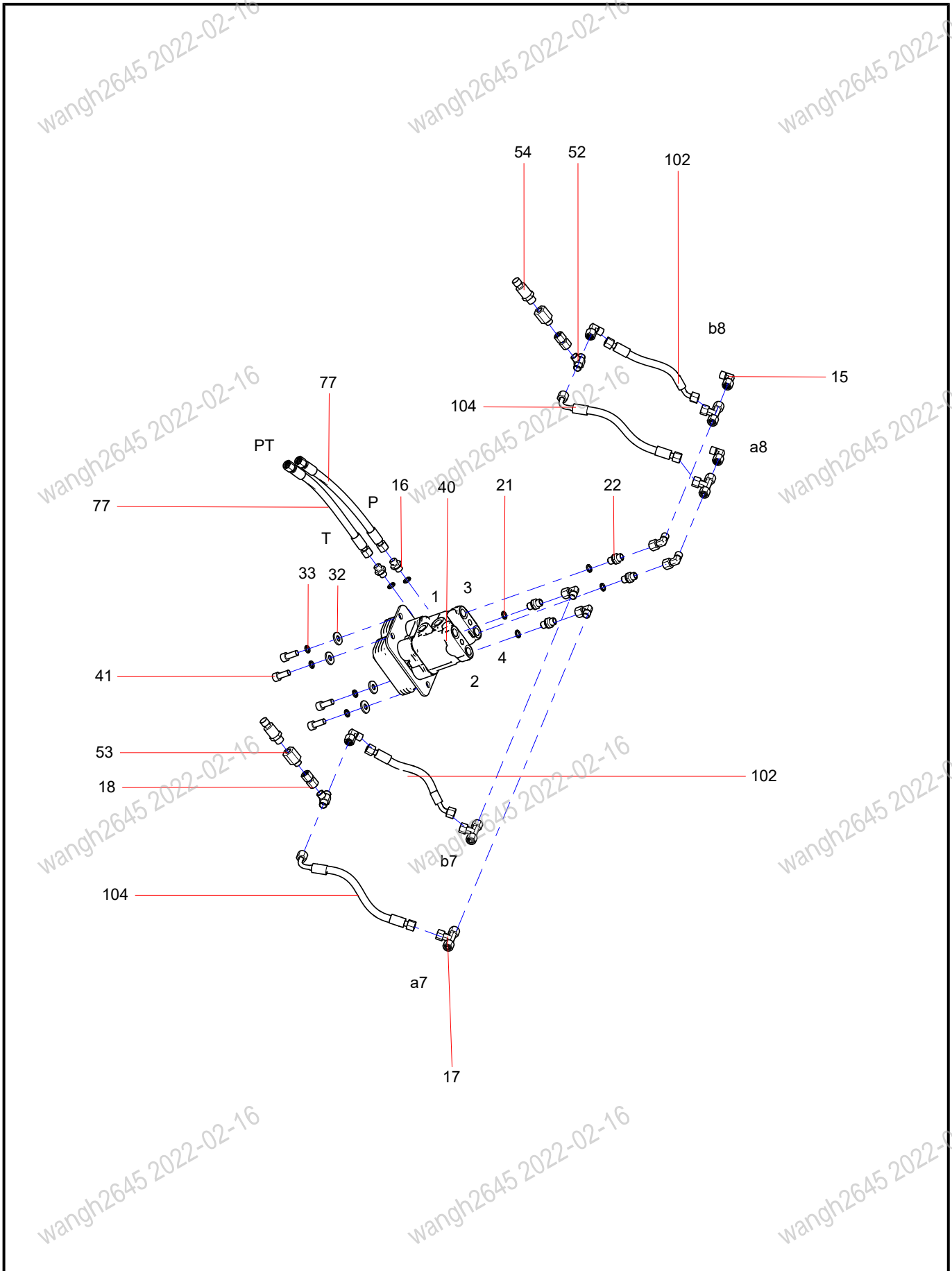


INDEX	PART NO.	DESCRIPTION	QTY	SEE PAGE
1	60255448	Hose assy-liquid no2	1	
2	141502000361A	FILTER	1	
3	60013771	Condenser	1	
4	60242103	RECEIVER DRIER ASSY	1	
5	60330154	Joint Valve	1	
6	60013770	Compressor	1	
7	60030552	BRKT ASSY-T/PULLEY MTG	1	
8	60213152	CONTROL UNIT	1	
9	60210925	Duct pienum	1	
10	61009983	Suction hose	1	
11	141501000112A001	Evaporator	1	8-12
12	60208748	DRAIN HOSE ASSY	1	
13	60291408	Hose pipe liq no2	1	
14	61009985	HOSE ASSY-DISCHARGE	1	

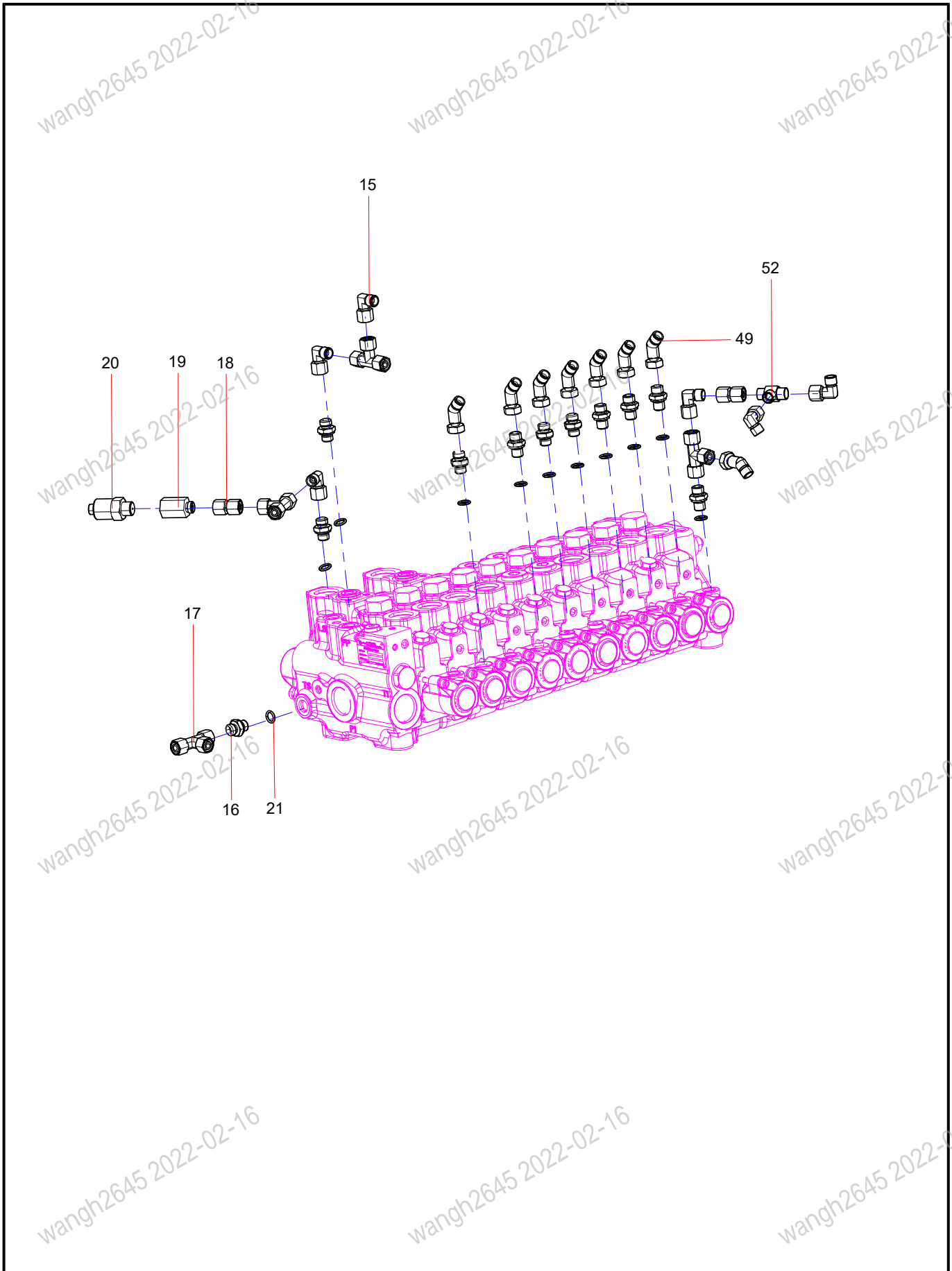
141501000112A001 Evaporator



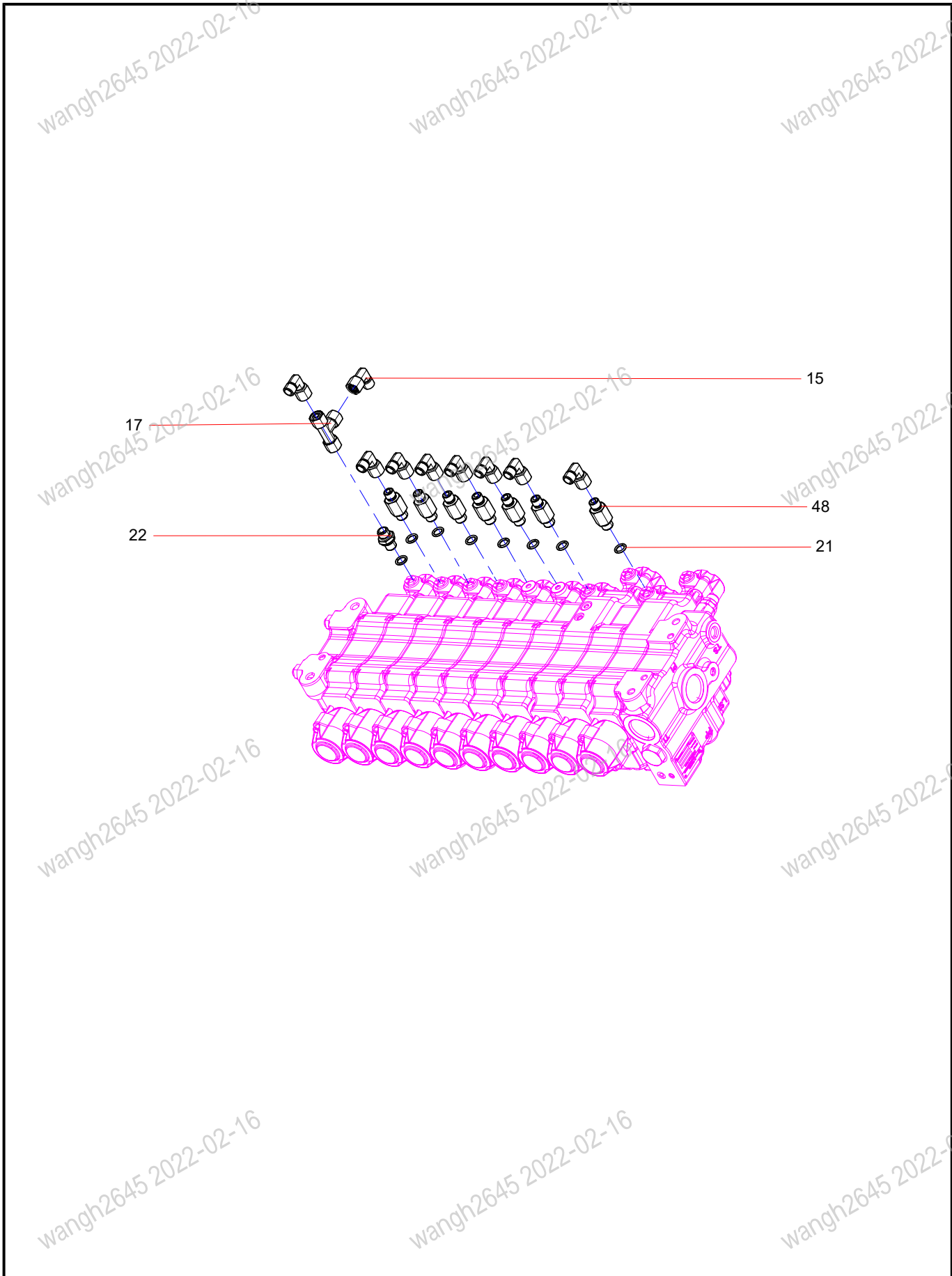
INDEX	PART NO.	DESCRIPTION	QTY	SEE PAGE
1	141501000203A004	Filter Element	1	
2	60216322	blower motor assy	1	
3	60215882	evaporator assy	1	
4	60215892	vavle assy	1	
5	141501000122A004	HOSE-HTR	1	
6	60215883	Heater core assy	1	
7	60190276	SENSOR ASS`Y-EVAP	1	
8	141501000121A002	FET ASSY	1	
9	60068270	Expantion valve	1	
10	60210924	WIRE HARNESS ASSY-EXT	1	



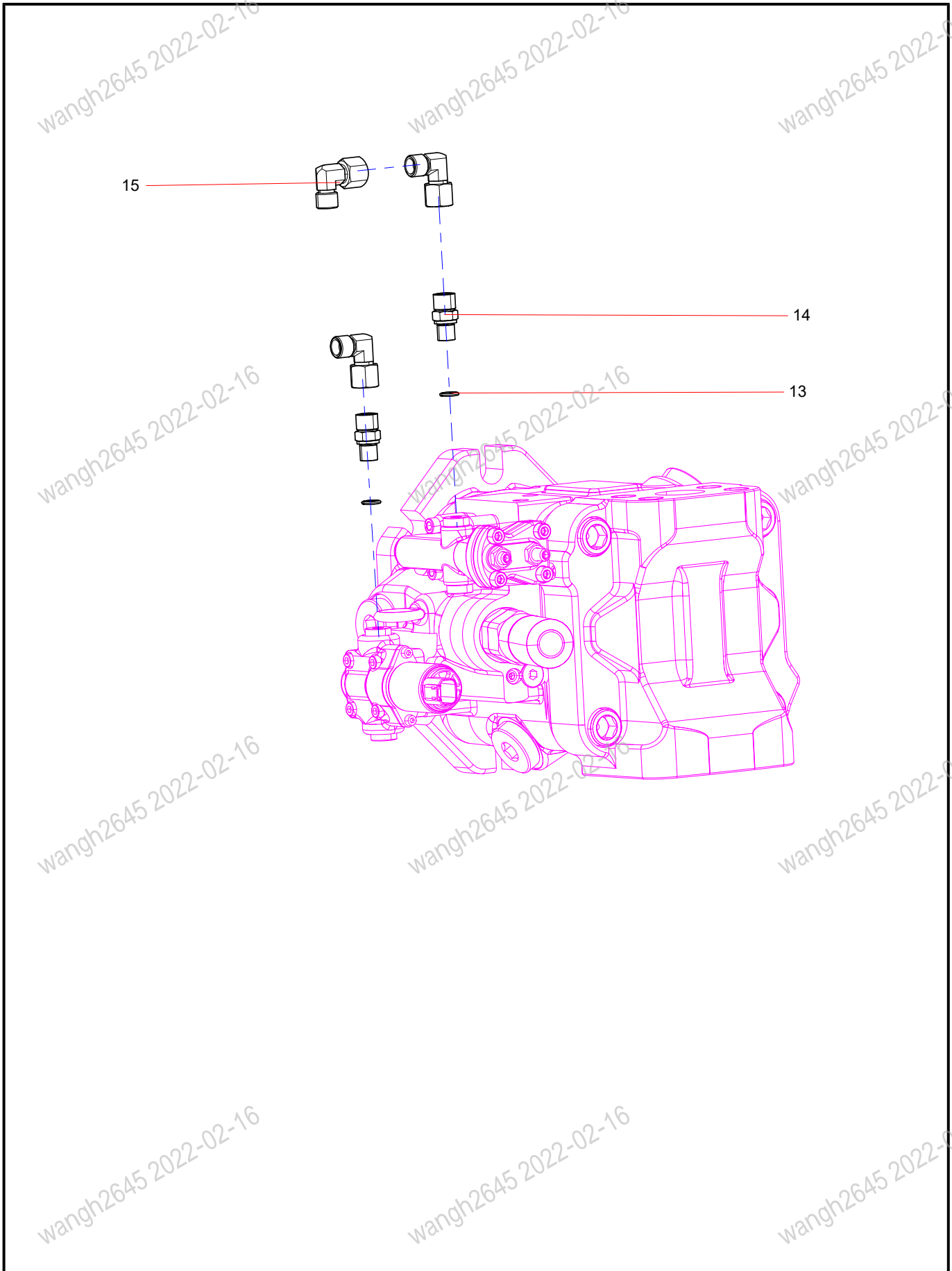
INDEX	PART NO.	DESCRIPTION	QTY	SEE PAGE
1	60354496	Pilot-control Valve	2	8-58
2	150505010074A	Pilot-control Valve	1	8-60
3	13269044	Handle Guard	2	
4	60246545	Multifunctional Handle	1	
15	B210780000418	Elbow Combination Connector	43	
16	21002815	Fitting	28	
17	B210780000170	Three Way Combination Joint	15	
18	B210780001045	Fitting Components	4	
21	B230101000047	O-ring	35	
22	B210780000176	Fitting	47	
32	A210491000120	Washer	6	
33	24000512	Washer	6	
40	150505020014A	Foot-Op. Pilot Valve	1	8-70
41	23000066	Screw	4	
52	B220400000169	Valve, Shuttle, Tee	3	
53	A820205000944	Relay Adaptor	2	
54	A240700000548	Pressure Relay	2	
77	61029433	Rubber Hose	2	
102	61029435	Rubber Hose	2	
104	B230103000768	hose	2	



INDEX	PART NO.	DESCRIPTION	QTY	SEE PAGE
15	B210780000418	Elbow Combination Connector	43	
16	21002815	Fitting	28	
17	B210780000170	Three Way Combination Joint	15	
18	B210780001045	Fitting Components	4	
19	A820205001061	Pressure Sensor Connector	1	
20	60114799	Pressure Sensor	1	
21	B230101000047	O-ring	35	
49	A229900010160	Pipe Connector	8	
52	B220400000169	Valve, Shuttle, Tee	3	



INDEX	PART NO.	DESCRIPTION	QTY	SEE PAGE
15	B210780000418	Elbow Combination Connector	43	
17	B210780000170	Three Way Combination Joint	15	
21	B230101000047	O-ring	35	
22	B210780000176	Fitting	47	
48	14280067	Connector	7	



INDEX	PART NO.	DESCRIPTION	QTY	SEE PAGE
13	23001922	O-ring	2	
14	B210780000142	Fitting	2	
15	B210780000418	Elbow Combination Connector	43	

wangh2645 2022-02-16

wangh2645 2022-02-16

wangh2645 2022-02-16

wangh2645 2022-02-16

wangh2645 2022-02-16

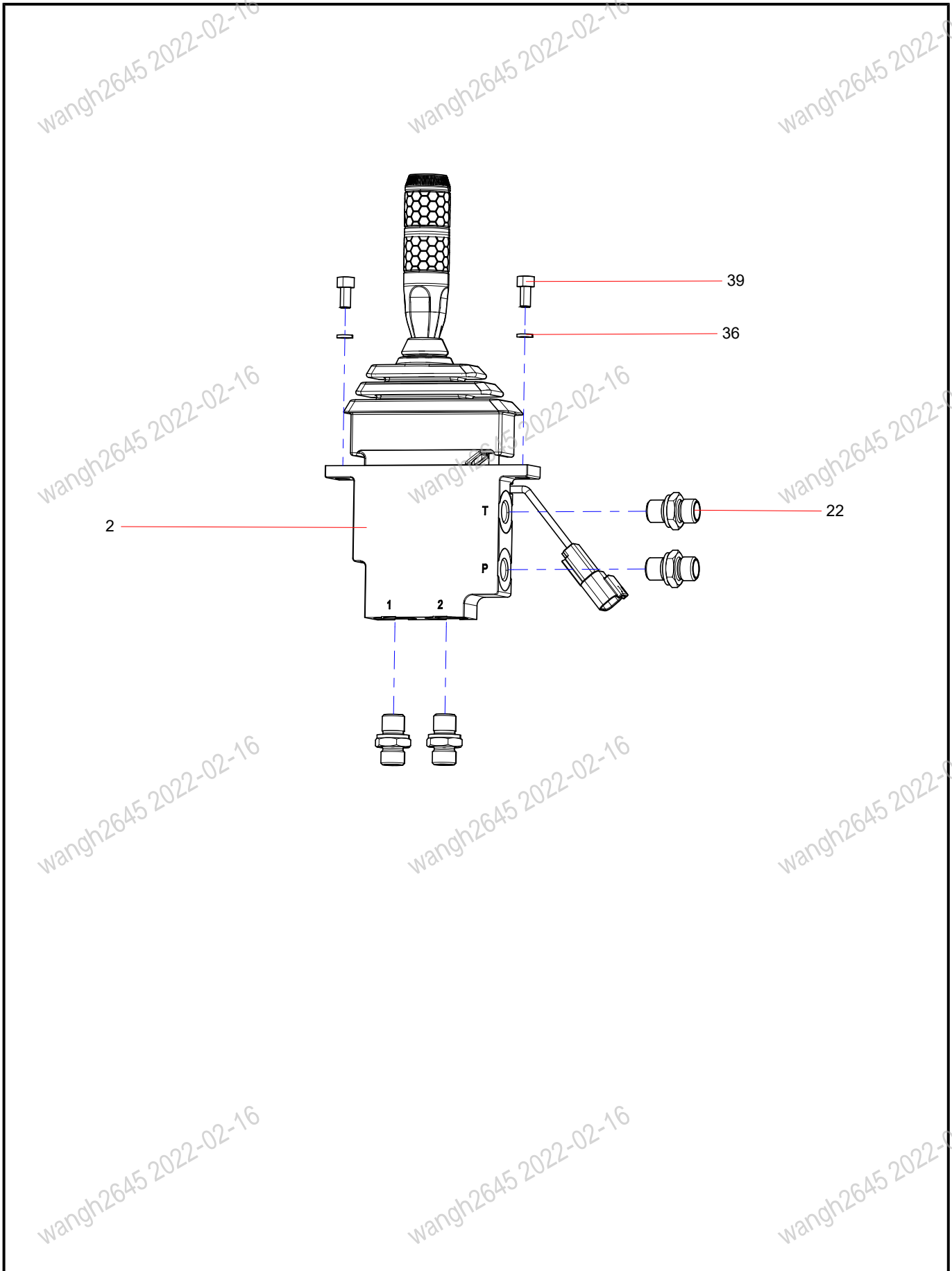
wangh2645 2022-02-16

wangh2645 2022-02-16

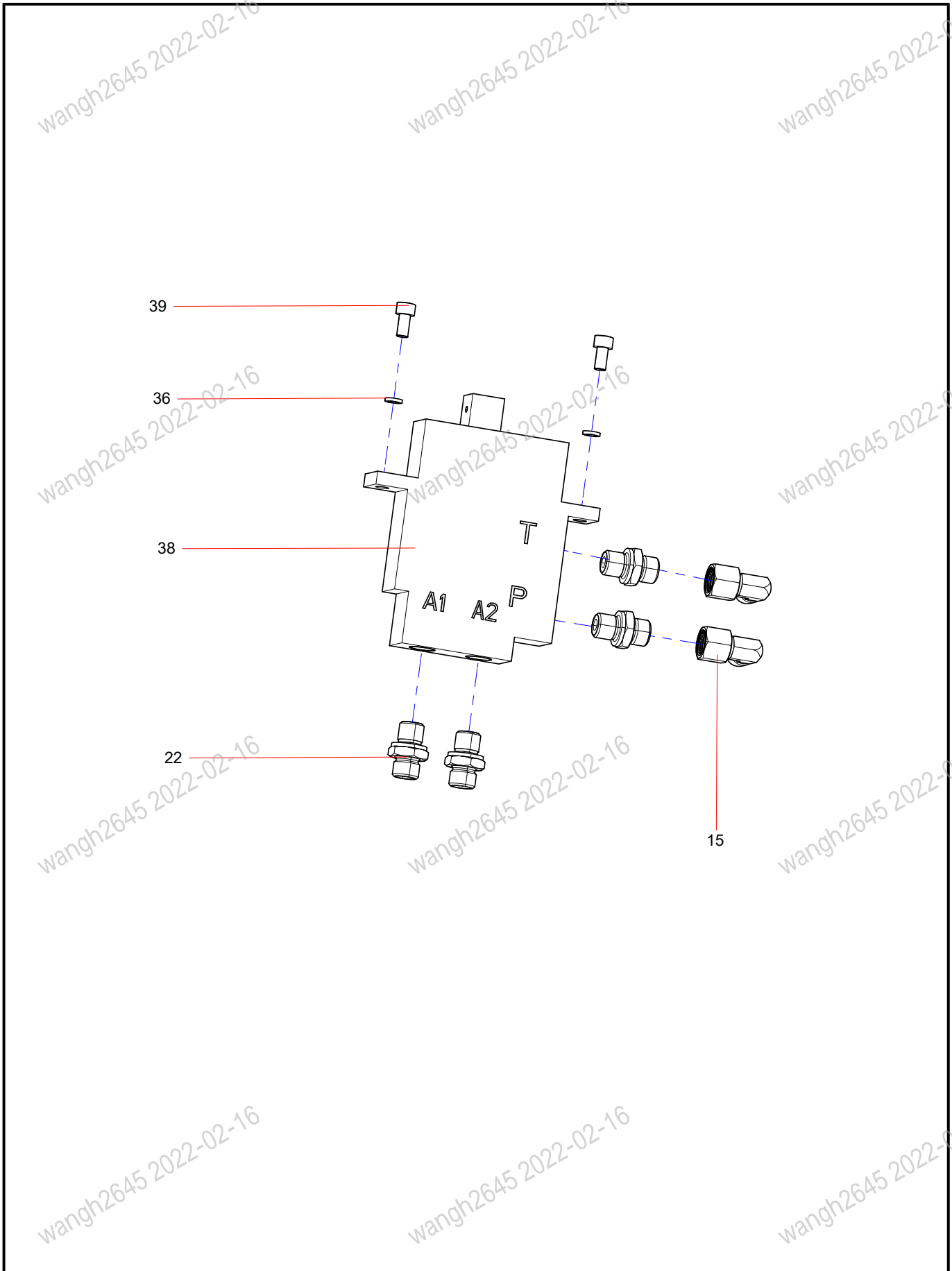
wangh2645 2022-02-16

wangh2645 2022-02-16

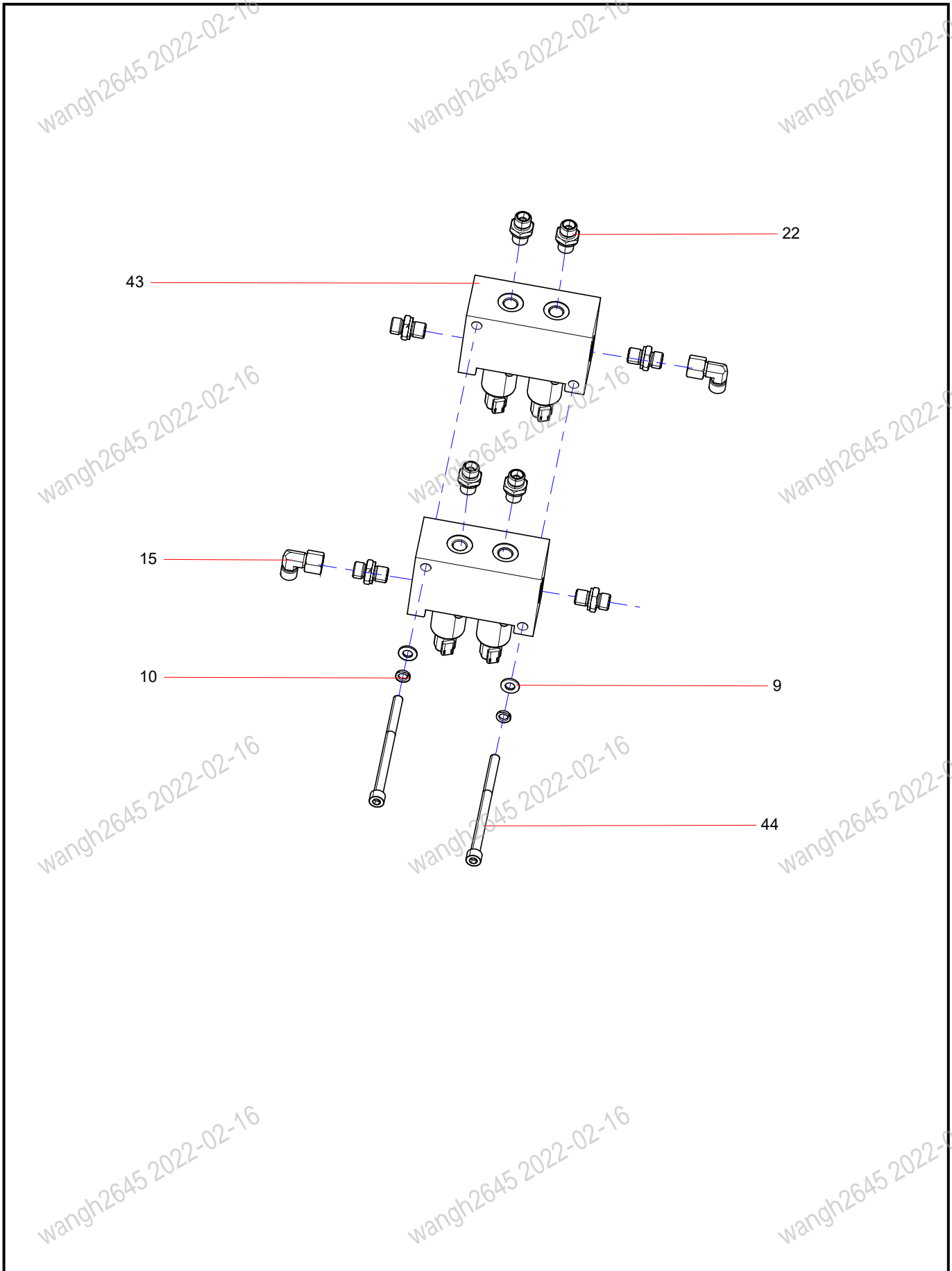
wangh2645 2022-02-16



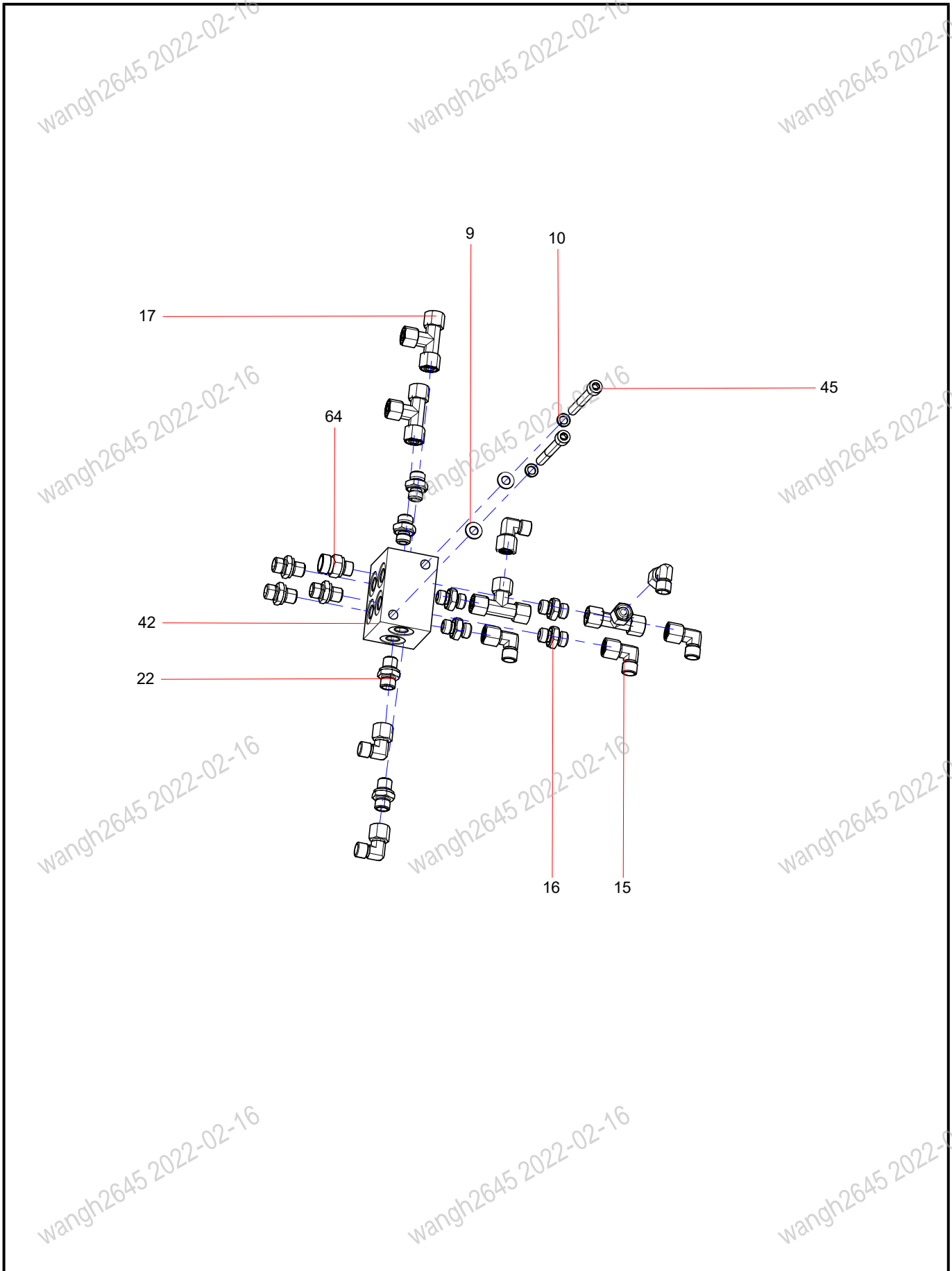
INDEX	PART NO.	DESCRIPTION	QTY	SEE PAGE
2	150505010074A	Pilot-control Valve	1	8-60
22	B210780000176	Fitting	47	
36	60060564	Washer	16	
39	A210204000129	Screw	8	



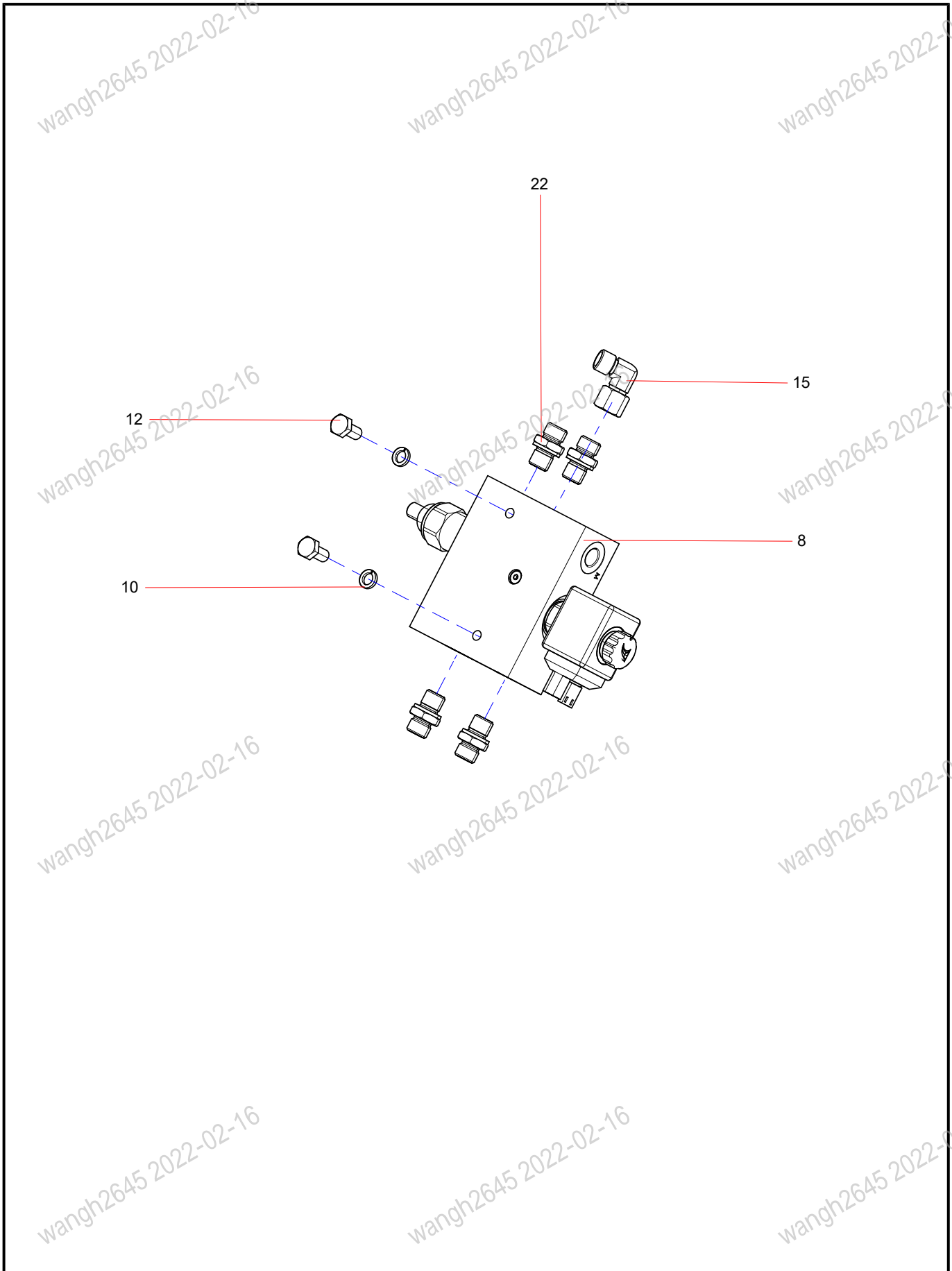
INDEX	PART NO.	DESCRIPTION	QTY	SEE PAGE
15	B210780000418	Elbow Combination Connector	43	
22	B210780000176	Fitting	47	
36	60060564	Washer	16	
38	60281974	Pilot Valve	1	8-68
39	A210204000129	Screw	8	



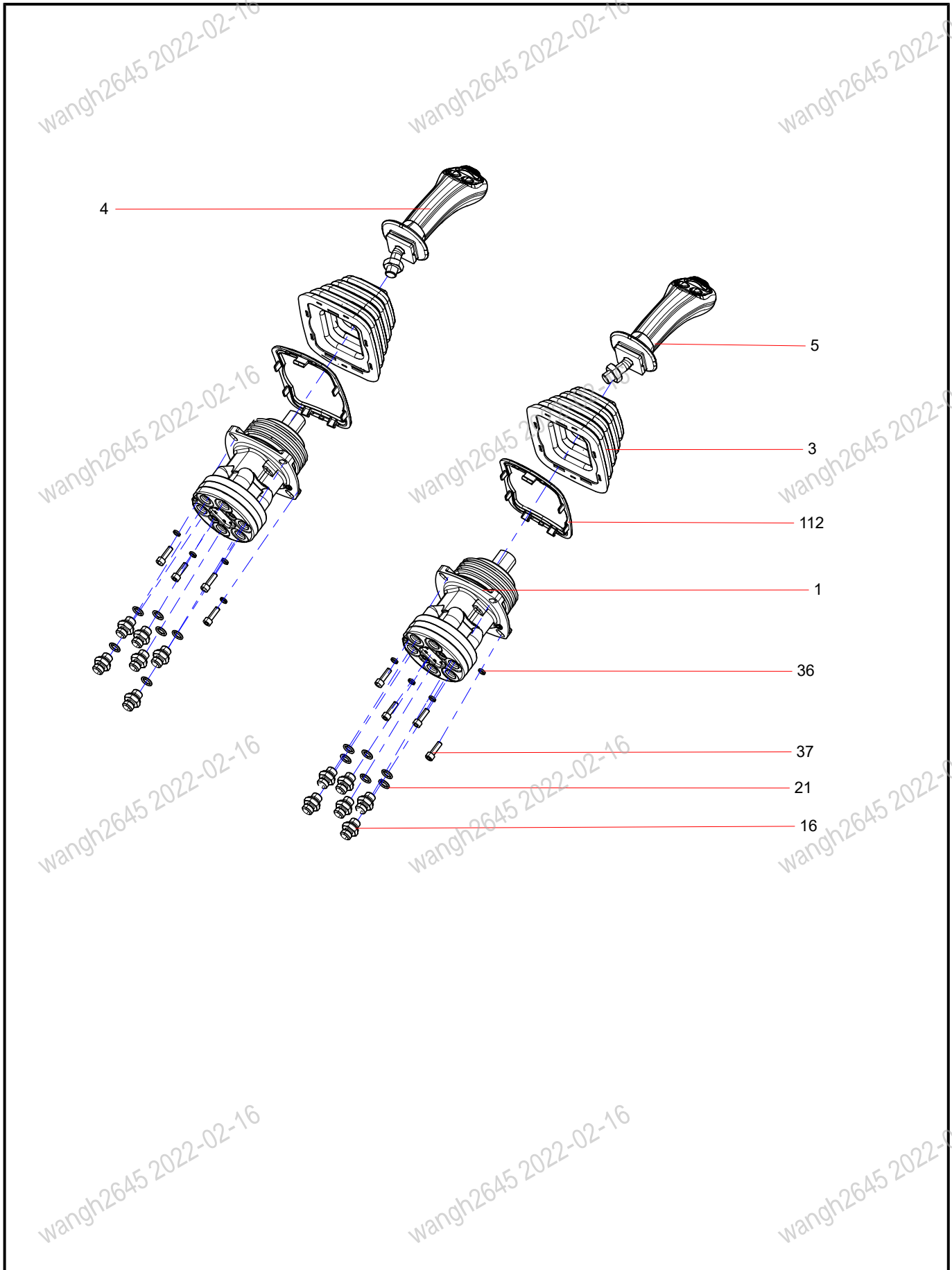
INDEX	PART NO.	DESCRIPTION	QTY	SEE PAGE
9	24000633	Washer	34	
10	24000511	Washer	28	
15	B210780000418	Elbow Combination Connector	43	
22	B210780000176	Fitting	47	
43	152301000023A	Proportional Electromagnetic Valve	2	8-76
44	A210204000271	Screw	2	



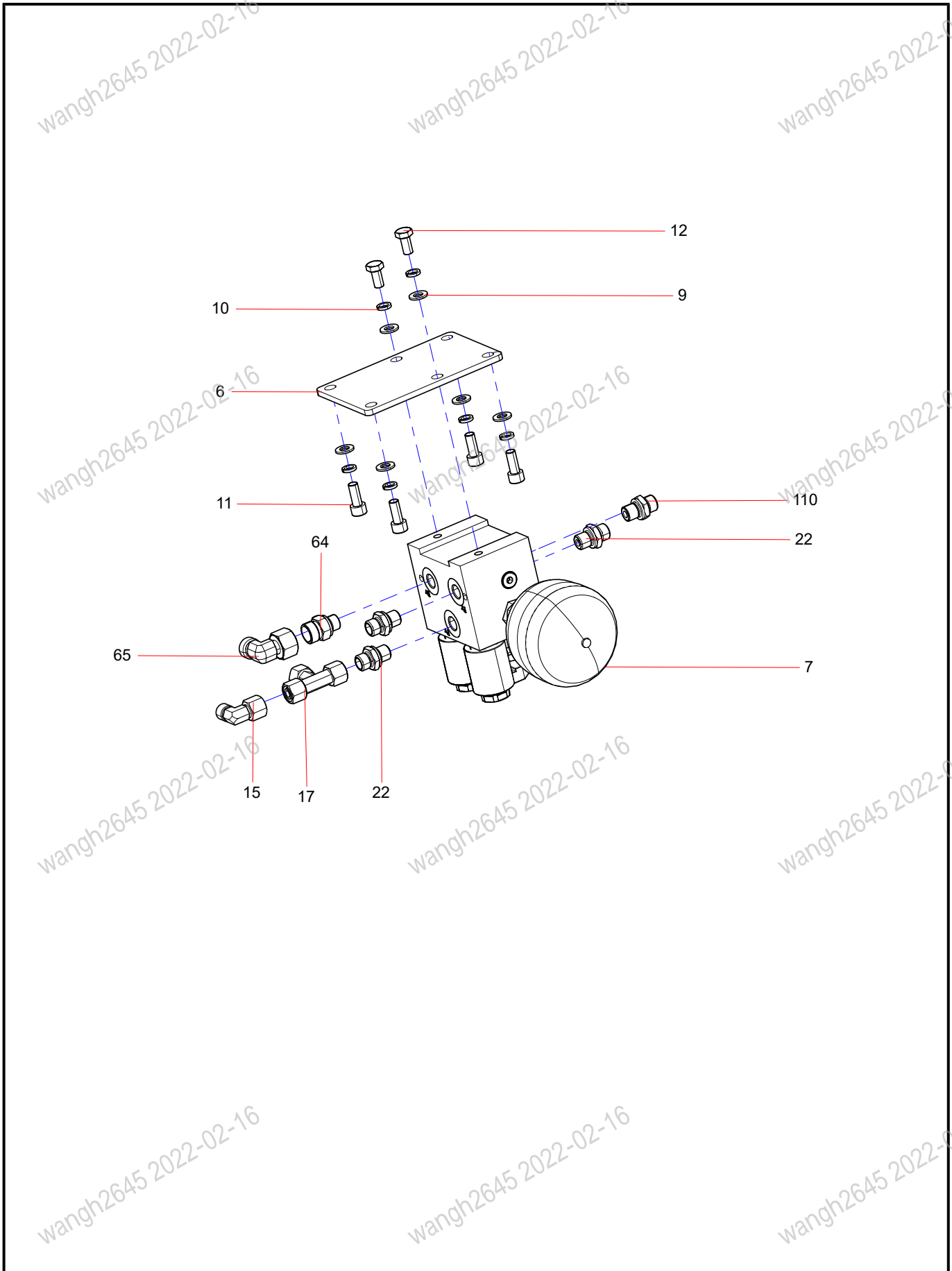
INDEX	PART NO.	DESCRIPTION	QTY	SEE PAGE
9	24000633	Washer	34	
10	24000511	Washer	28	
15	B210780000418	Elbow Combination Connector	43	
16	21002815	Fitting	28	
17	B210780000170	Three Way Combination Joint	15	
22	B210780000176	Fitting	47	
42	12053111	PT Block	1	
45	60225886	Screw	2	
64	B210780000847	Fitting	2	



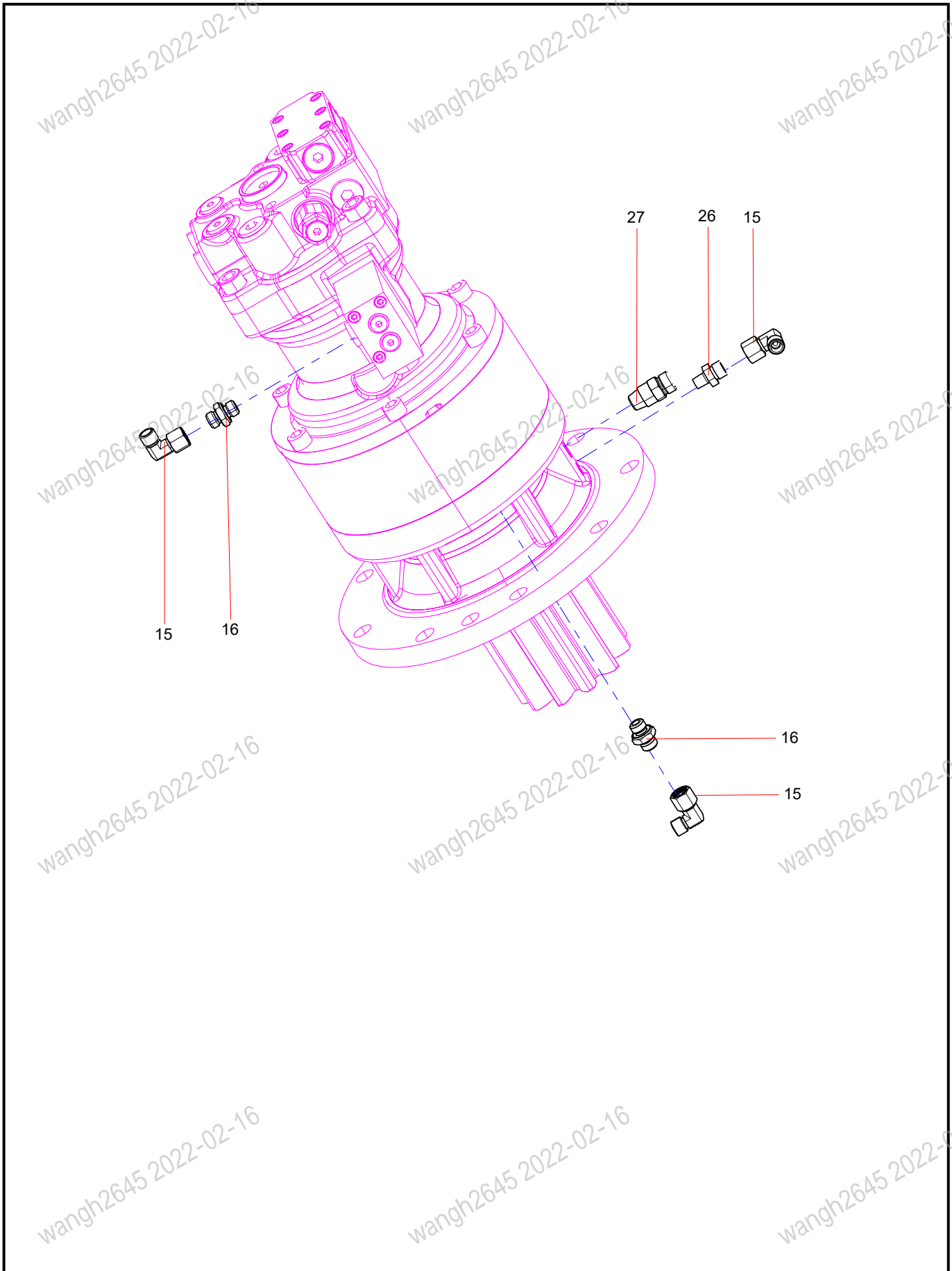
INDEX	PART NO.	DESCRIPTION	QTY	SEE PAGE
8	150401030033A	Spool	1	8-64
10	24000511	Washer	28	
12	A210111000342	Bolt	12	
15	B210780000418	Elbow Combination Connector	43	
22	B210780000176	Fitting	47	



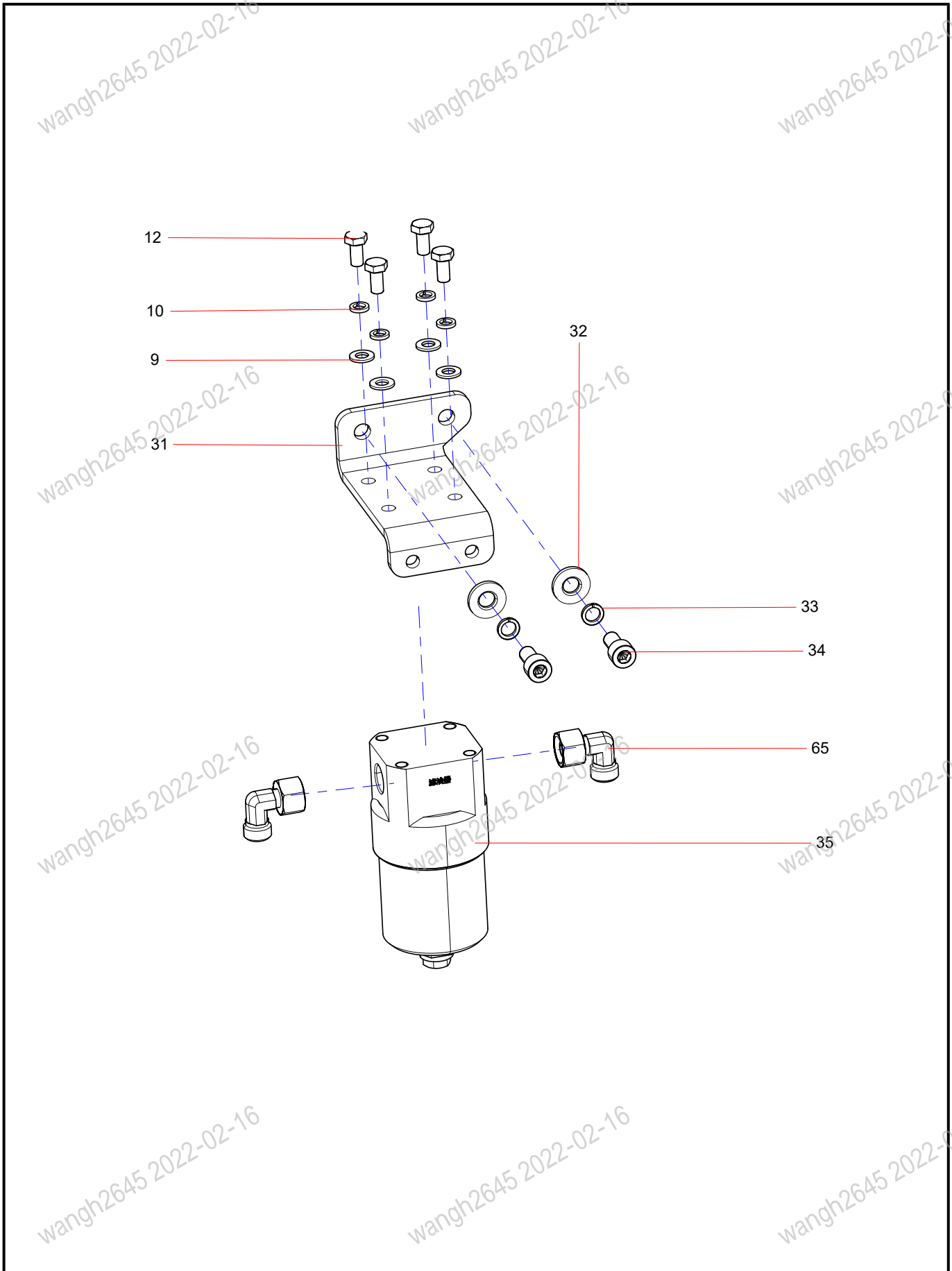
INDEX	PART NO.	DESCRIPTION	QTY	SEE PAGE
1	60354496	Pilot-control Valve	2	8-58
3	13269044	Handle Guard	2	
4	60246545	Multifunctional Handle	1	
5	60137563	Right Handle	1	
16	21002815	Fitting	28	
21	B230101000047	O-ring	35	
36	60060564	Washer	16	
37	A210204000131	Screw	8	
112	A229900001027	Plate	2	



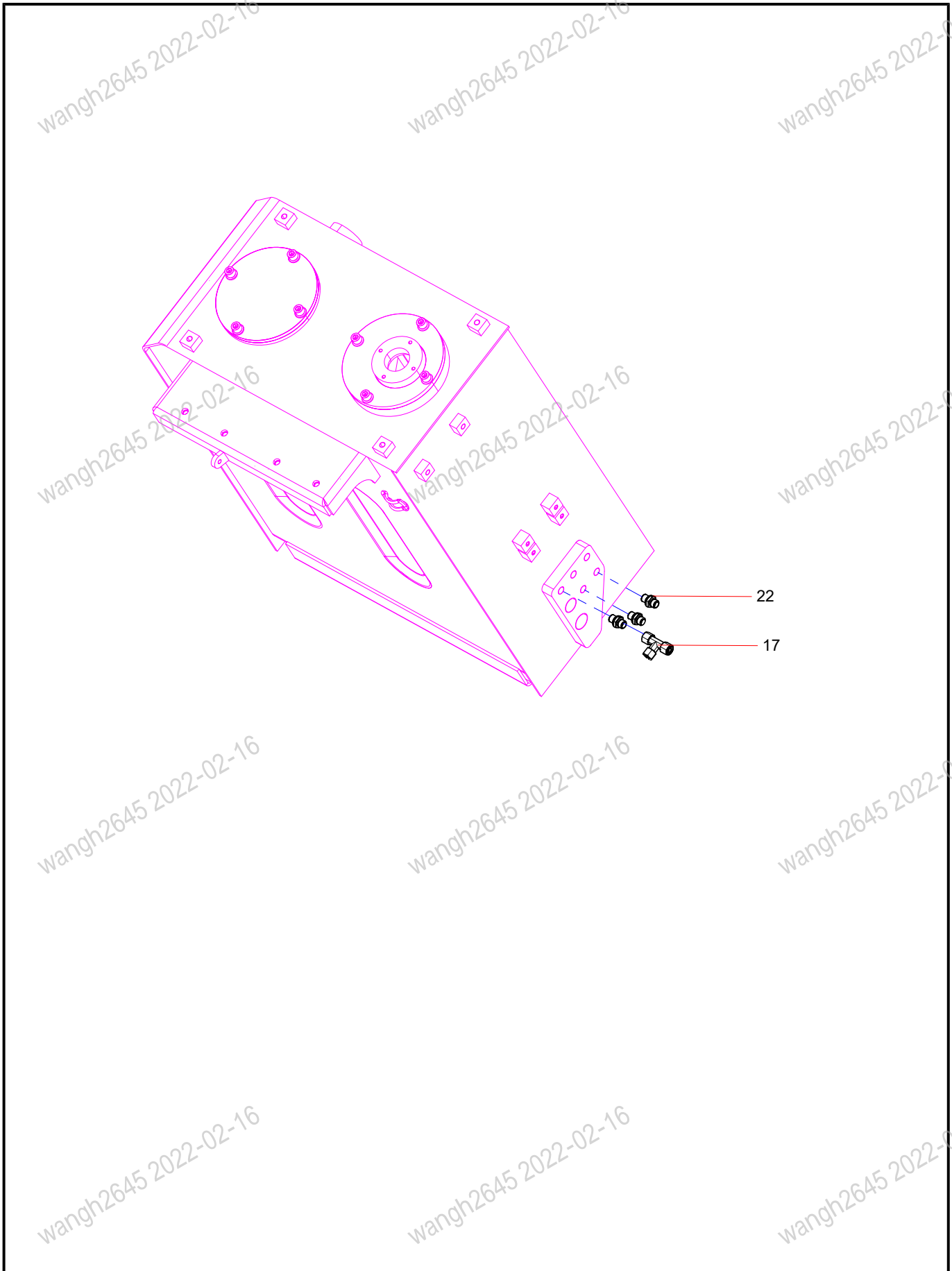
INDEX	PART NO.	DESCRIPTION	QTY	SEE PAGE
6	11147465	Installation plate	1	
7	60342181	Electromagnetic Reversal Valve	1	8-62
9	24000633	Washer	34	
10	24000511	Washer	28	
11	A210204000220	Screw	12	
12	A210111000342	Bolt	12	
15	B210780000418	Elbow Combination Connector	43	
17	B210780000170	Three Way Combination Joint	15	
22	B210780000176	Fitting	47	
64	B210780000847	Fitting	2	
65	B210780000024	Elbow Combination Fitting	3	
110	60049162	Pressure Oil Filter	1	



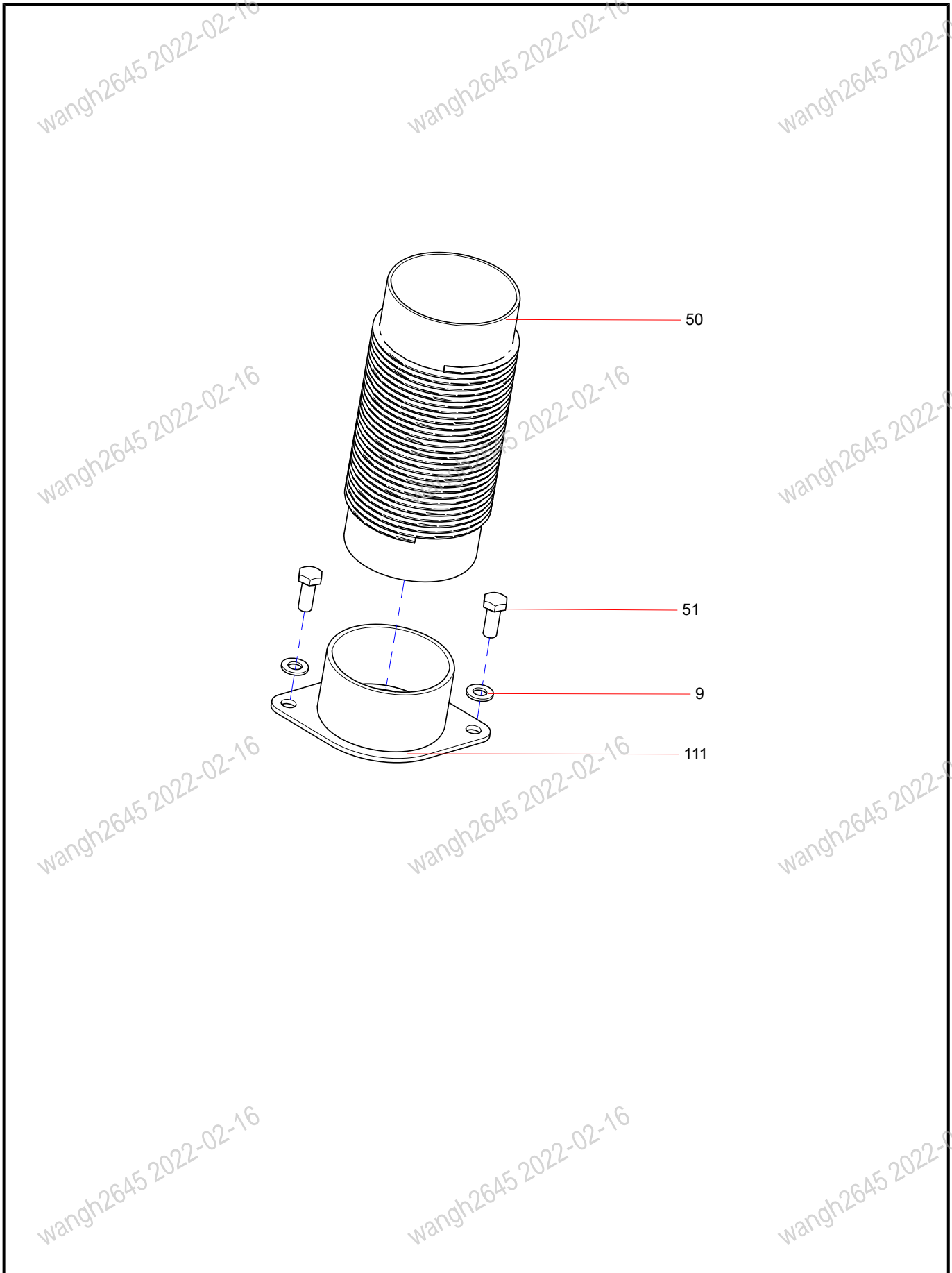
INDEX	PART NO.	DESCRIPTION	QTY	SEE PAGE
15	B210780000418	Elbow Combination Connector	43	
16	21002815	Fitting	28	
26	11325808	adaptor	1	
27	10408086	Transitional Joint	1	



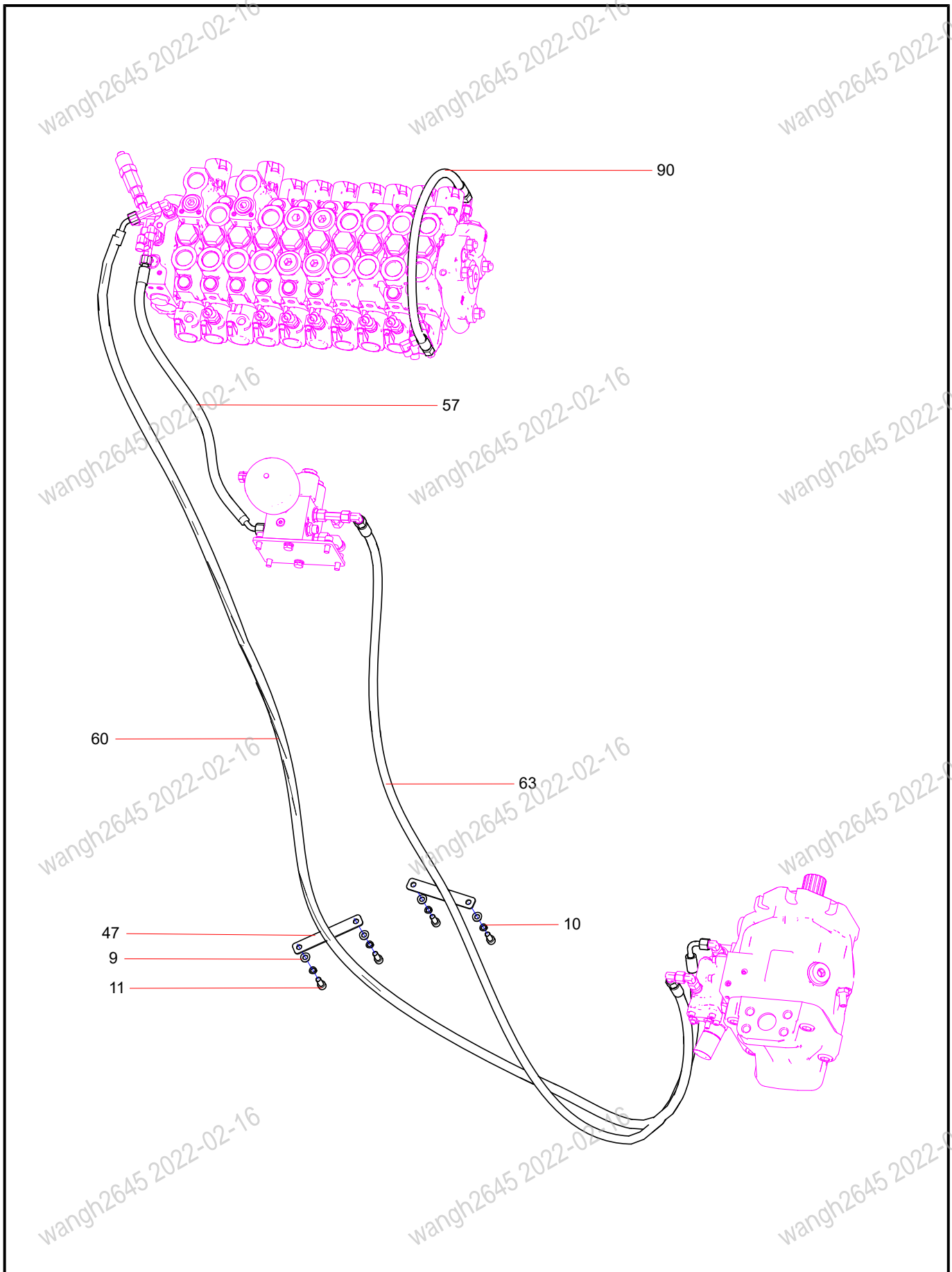
INDEX	PART NO.	DESCRIPTION	QTY	SEE PAGE
9	24000633	Washer	34	
10	24000511	Washer	28	
12	A210111000342	Bolt	12	
31	12625442	Mounting plate of high-pressure oil filter	1	
32	A210491000120	Washer	6	
33	24000512	Washer	6	
34	A210204000196	Screw	2	
35	60211330	Filter	1	8-66
65	B210780000024	Elbow Combination Fitting	3	



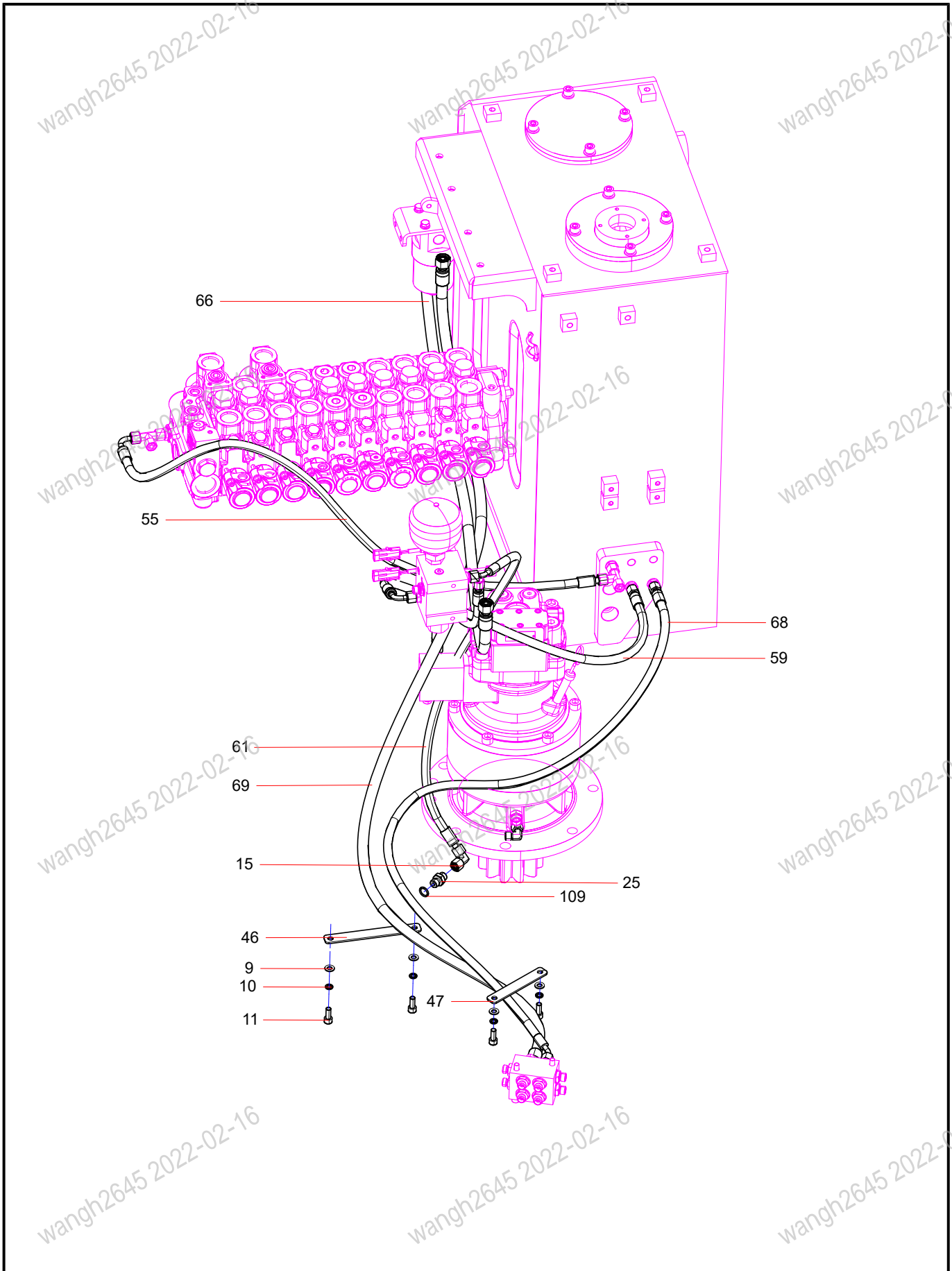
INDEX	PART NO.	DESCRIPTION	QTY	SEE PAGE
17	B210780000170	Three Way Combination Joint	15	
22	B210780000176	Fitting	47	



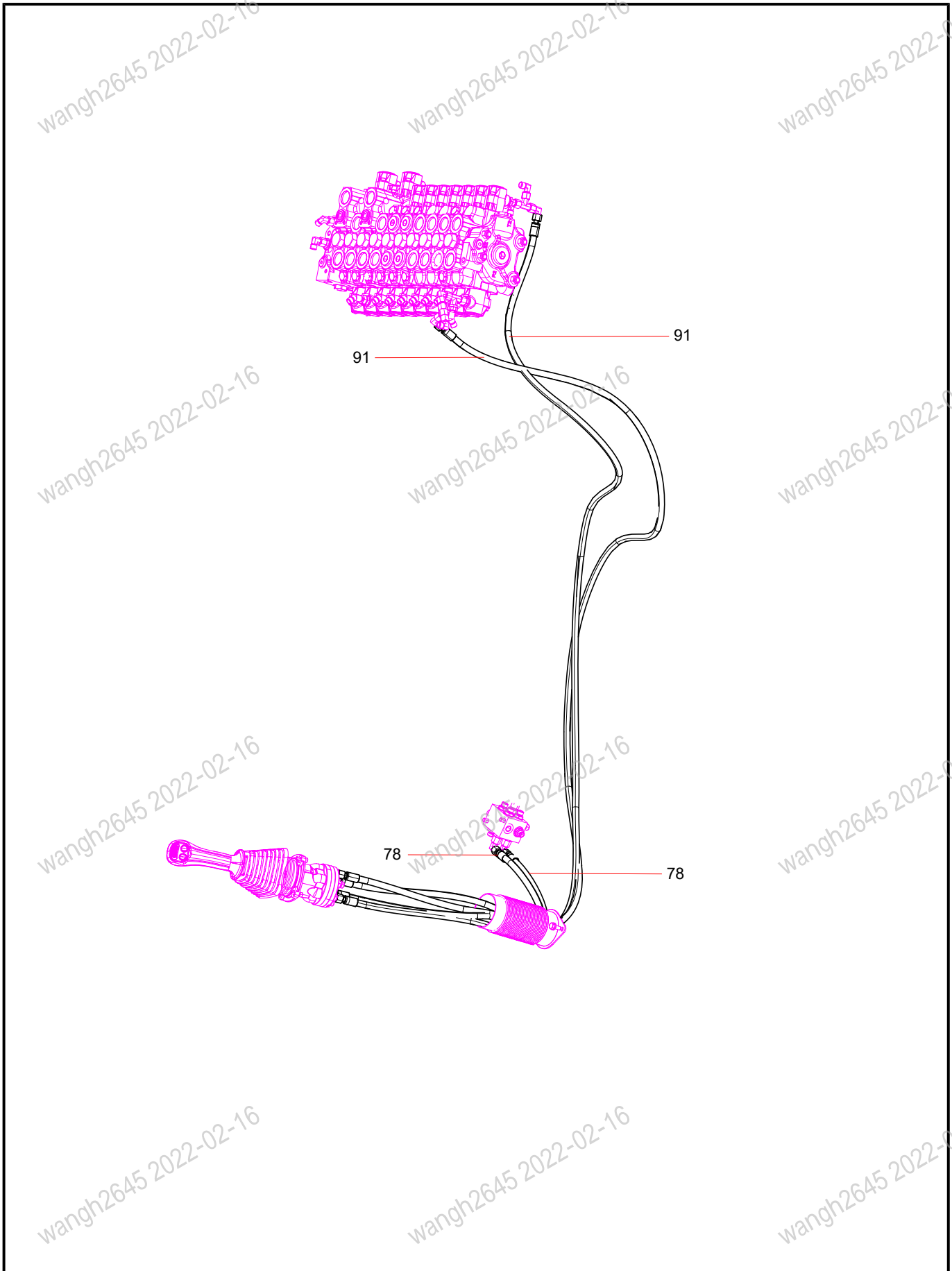
INDEX	PART NO.	DESCRIPTION	QTY	SEE PAGE
9	24000633	Washer	34	
50	11082048	Corrugated Tube	2	
51	A210111000343	Bolt	4	
111	11035346	Flange	2	



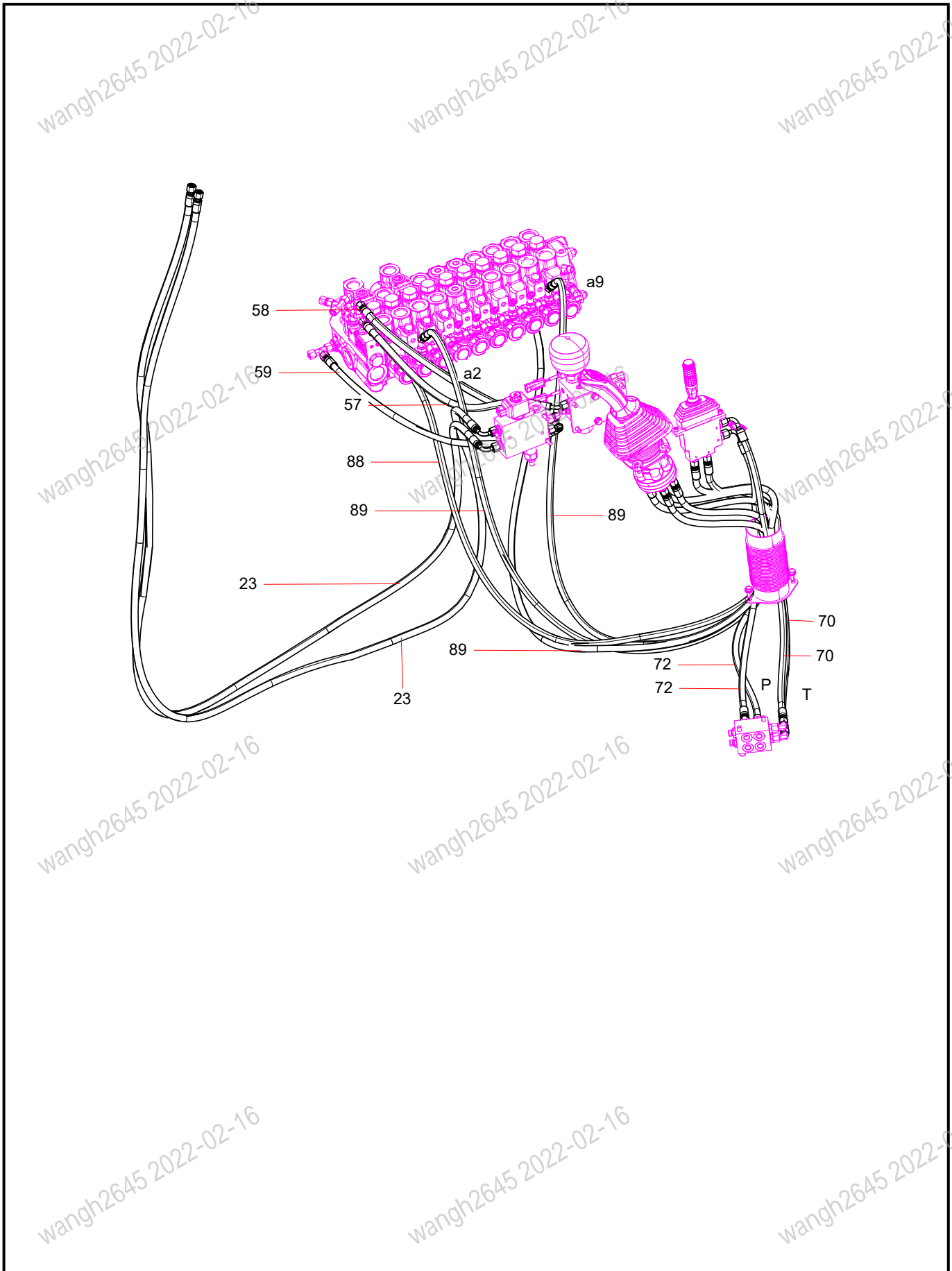
INDEX	PART NO.	DESCRIPTION	QTY	SEE PAGE
9	24000633	Washer	34	
10	24000511	Washer	28	
11	A210204000220	Screw	12	
47	10735444	pipe nip	3	
57	60169729	Rubber Hose	1	
60	61029444	Rubber Hose	1	
63	23000738	Rubber Hose	1	
90	B230103000995	Rubber Hose	1	



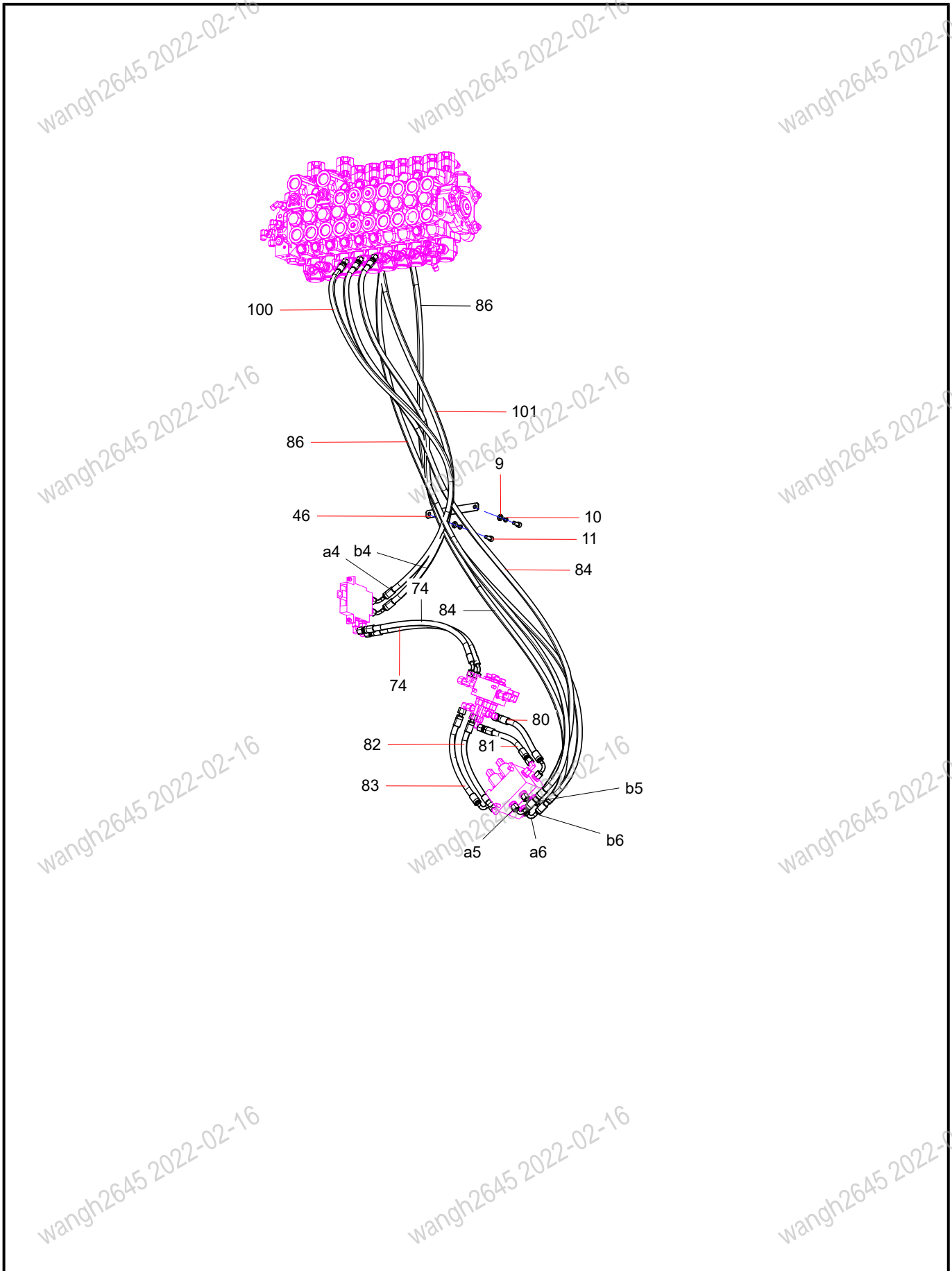
INDEX	PART NO.	DESCRIPTION	QTY	SEE PAGE
9	24000633	Washer	34	
10	24000511	Washer	28	
11	A210204000220	Screw	12	
15	B210780000418	Elbow Combination Connector	43	
25	A820205001655	Pipe Connector	1	
46	10735452	pipe nip	1	
47	10735444	pipe nip	3	
55	23000732	Rubber Hose	1	
59	B230103000980	Rubber Hose	2	
61	B230103007523	Rubber Hose	2	
66	B230103002712	Rubber Hose	1	
68	61029438	Rubber Hose	1	
69	B230103002358	Rubber Hose	1	
109	A230101000247	O-ring	1	



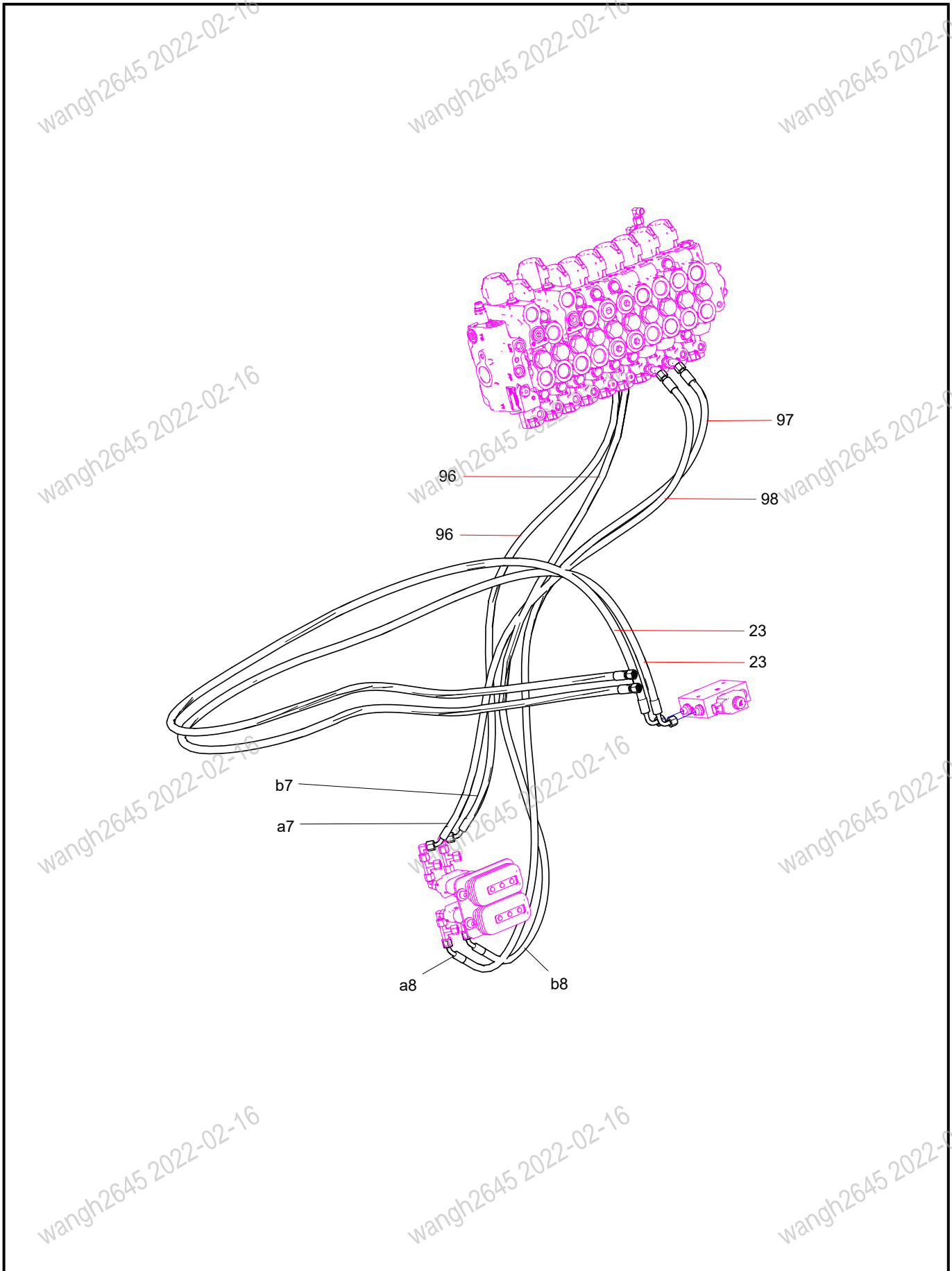
INDEX	PART NO.	DESCRIPTION	QTY	SEE PAGE
78	21032784	Hose Assembly	2	
91	B230103002114	Hose	2	



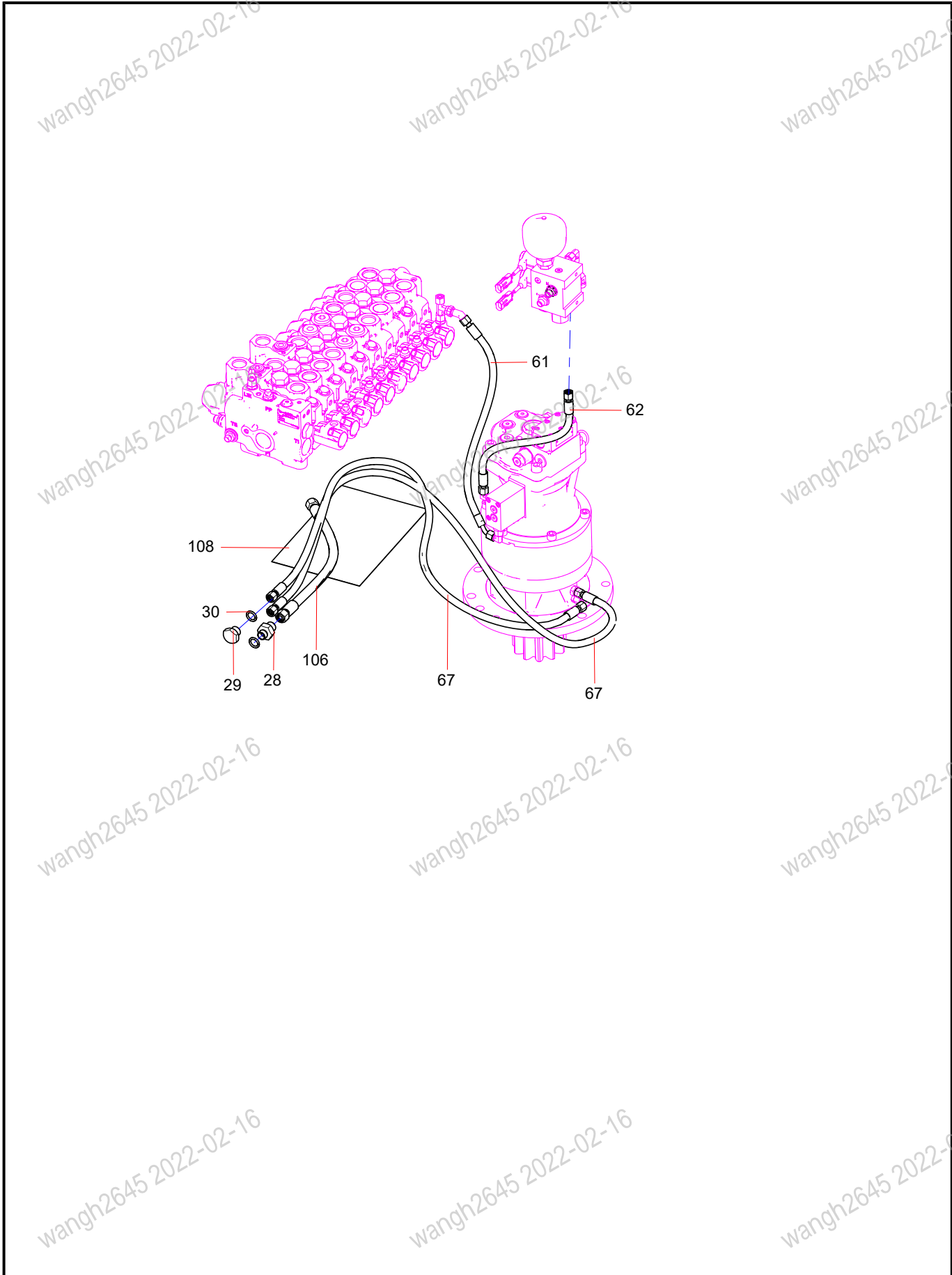
INDEX	PART NO.	DESCRIPTION	QTY	SEE PAGE
23	151002160013A	Rubber Hose	2	
57	60169729	Rubber Hose	1	
58	21030934	Rubber Hose	1	
59	B230103000980	Rubber Hose	2	
70	A831213105000	Rubber Hose	2	
72	B230103000983	Hose Assembly	2	
88	B230103005492	Hose Assembly	1	
89	21027341	Hose	3	



INDEX	PART NO.	DESCRIPTION	QTY	SEE PAGE
9	24000633	Washer	34	
10	24000511	Washer	28	
11	A210204000220	Screw	12	
46	10735452	pipe nip	1	
74	B230103007051	Hose	2	
80	61029436	Rubber Hose	1	
81	B230103004523	Rubber hose 1SN6-DKOL-300 (with 0.25m pl	1	
82	23000427	Rubber Hose	1	
83	A831213035000	Rubber Hose	1	
84	B230103004707	Rubber Hose	2	
86	B230103000939	Rubber Hose	2	
100	B230103000886	Hose Assembly	1	
101	B230103004706	Rubber Hose	1	

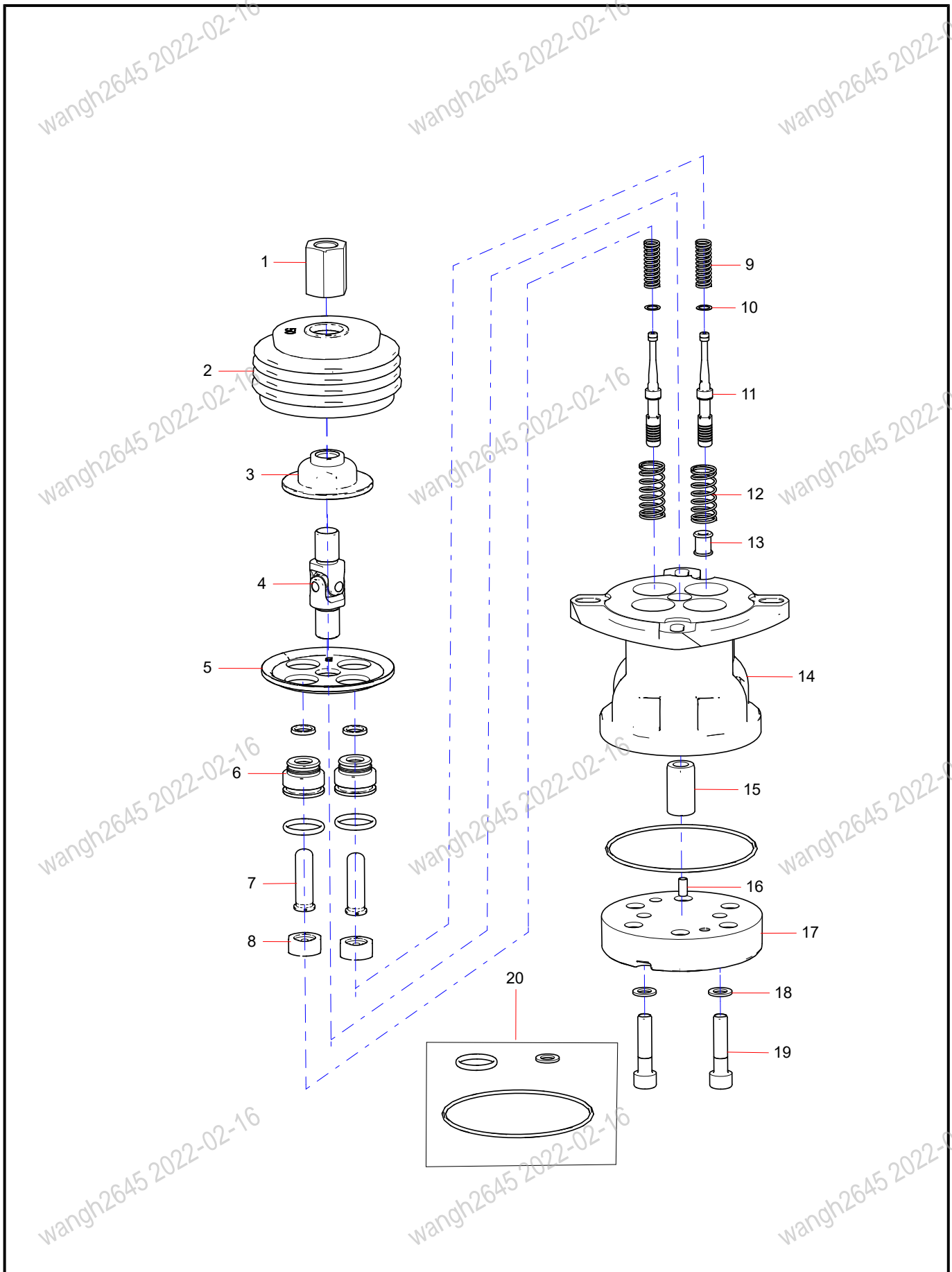


INDEX	PART NO.	DESCRIPTION	QTY	SEE PAGE
23	151002160013A	Rubber Hose	2	
96	60187659	Hose Assembly	2	
97	B230103005265	Hose	1	
98	21027314	Rubber Hose	1	



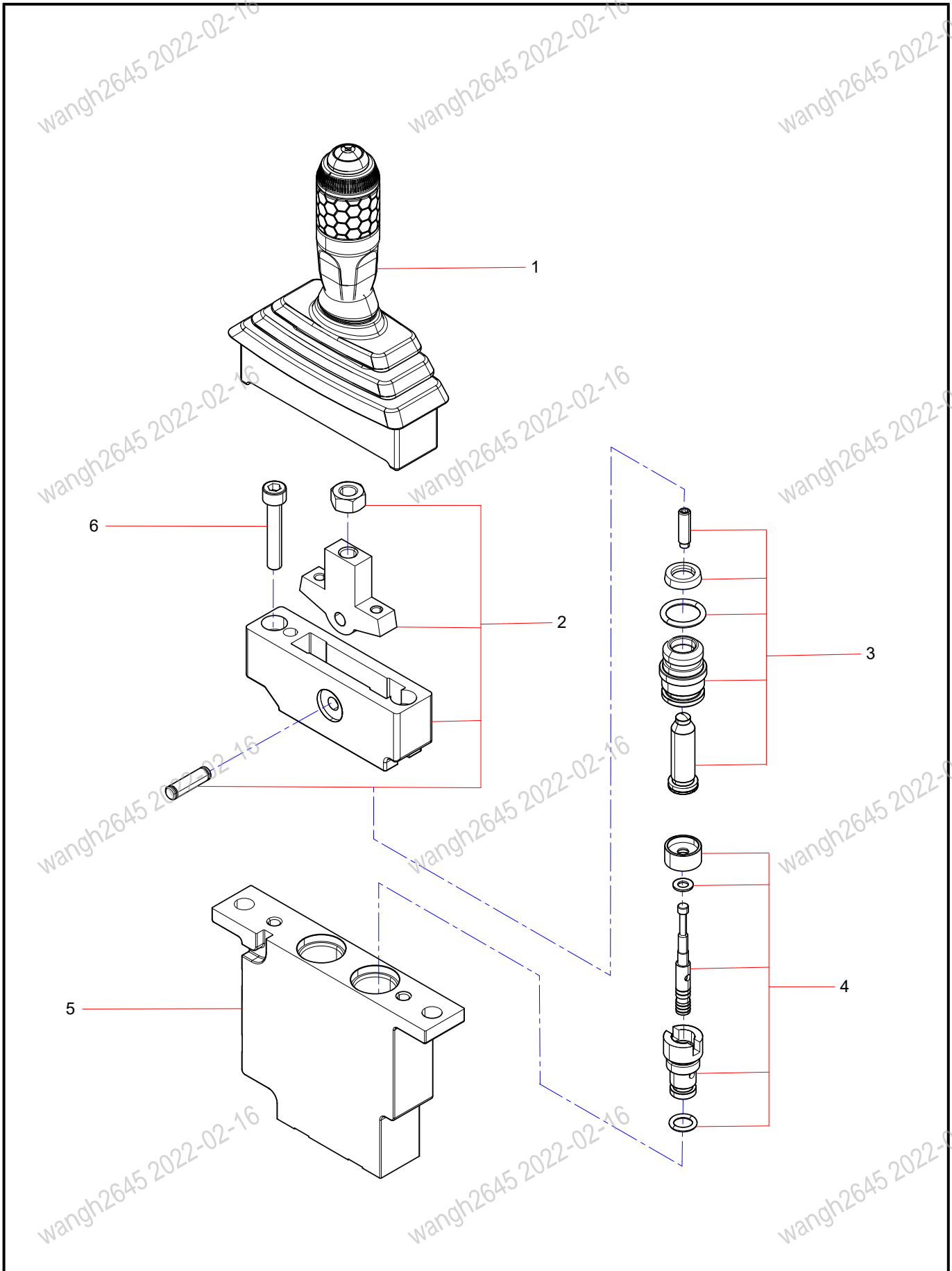
INDEX	PART NO.	DESCRIPTION	QTY	SEE PAGE
28	A820205000838	Joint	1	
29	A820205001027	Screw Plug	1	
30	A230101000243	O-ring	2	
61	B230103007523	Rubber Hose	2	
62	60183208	Rubber Hose	1	
67	60209359	Rubber Hose	2	
106	60244296	rubber hose	1	
108	13391350	Hose Protective Sleeve	2	

60354496 Pilot-control Valve



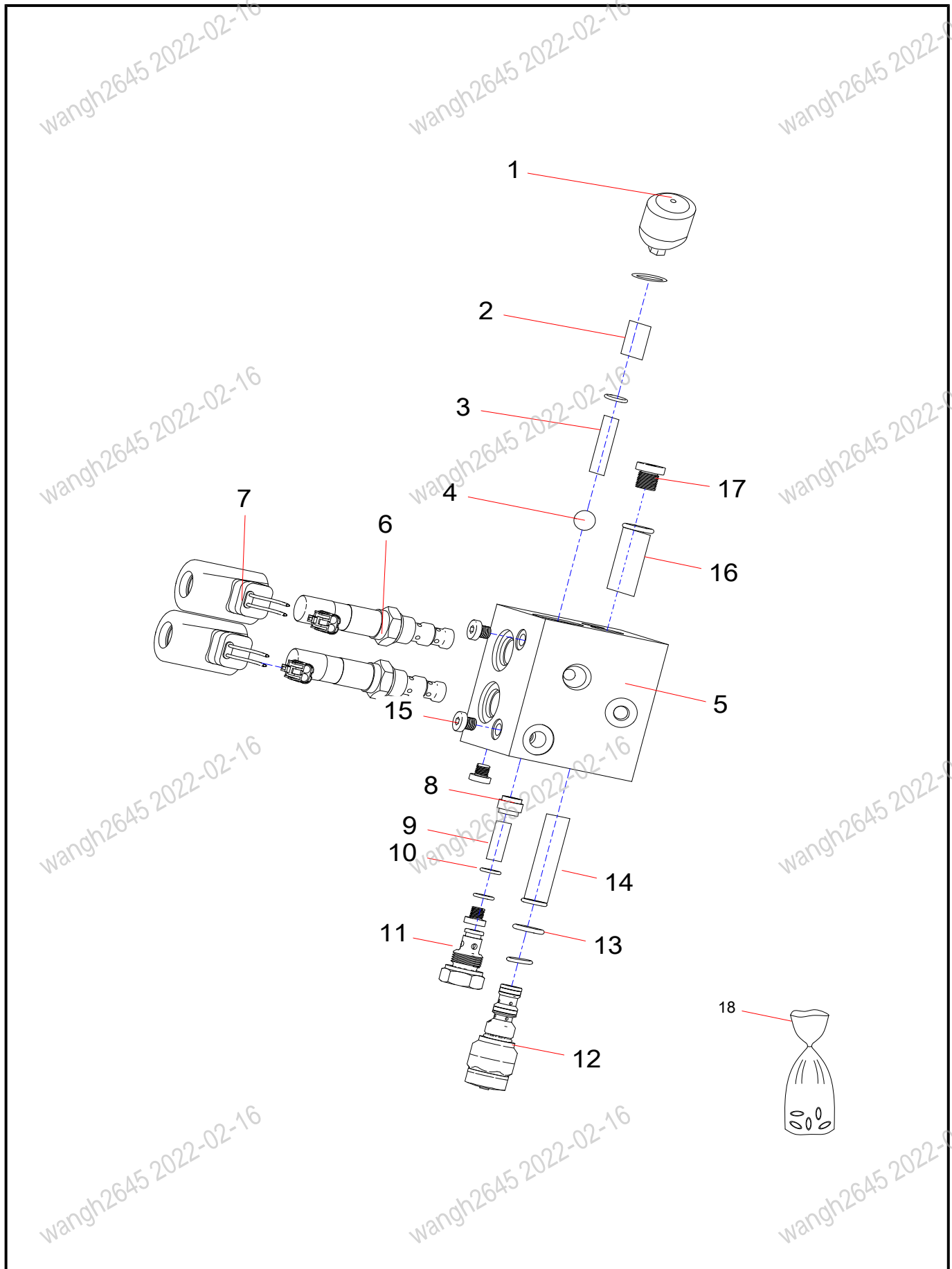
INDEX	PART NO.	DESCRIPTION	QTY	SEE PAGE
1	61017916	Connector	1	
2	61017915	Protective Sleeve	1	
3	61017917	Top Cover	1	
4	61017928	Cardan joint	1	
5	61017912	Plate	1	
6	61017911	Cooperate	4	
7	61017914	Crown Bar	4	
8	61017921	Spring Seat	4	
9	61017922	Spring	4	
10	61017924	Gasket	4	
11	61017925	Valve Rod	4	
12	61017923	Spring	4	
13	61017908	Protective Sleeve	1	
14	61017909	Valve Body	1	
15	61017929	Bushing	1	
16	61017927	Flexible Cylindrical Pin	1	
17	61017910	Valve Bonnet	1	
18	61017919	Combination cushion circle	2	
19	61017918	Inner hexagon screw	2	
20	61017930	Leading valve maintenance	1	

150505010074A Pilot-control Valve



INDEX	PART NO.	DESCRIPTION	QTY	SEE PAGE
1	150505010074A001	Handle Assembly	1	
2	150502010009A003	Permanent Seat Component	1	
3	150502010009A002	Push Rod Bushing Component	2	
4	150502010009A001	Spool Component	2	
5	150505010074A002	Body	1	
6	A210307000015	Nut	1	

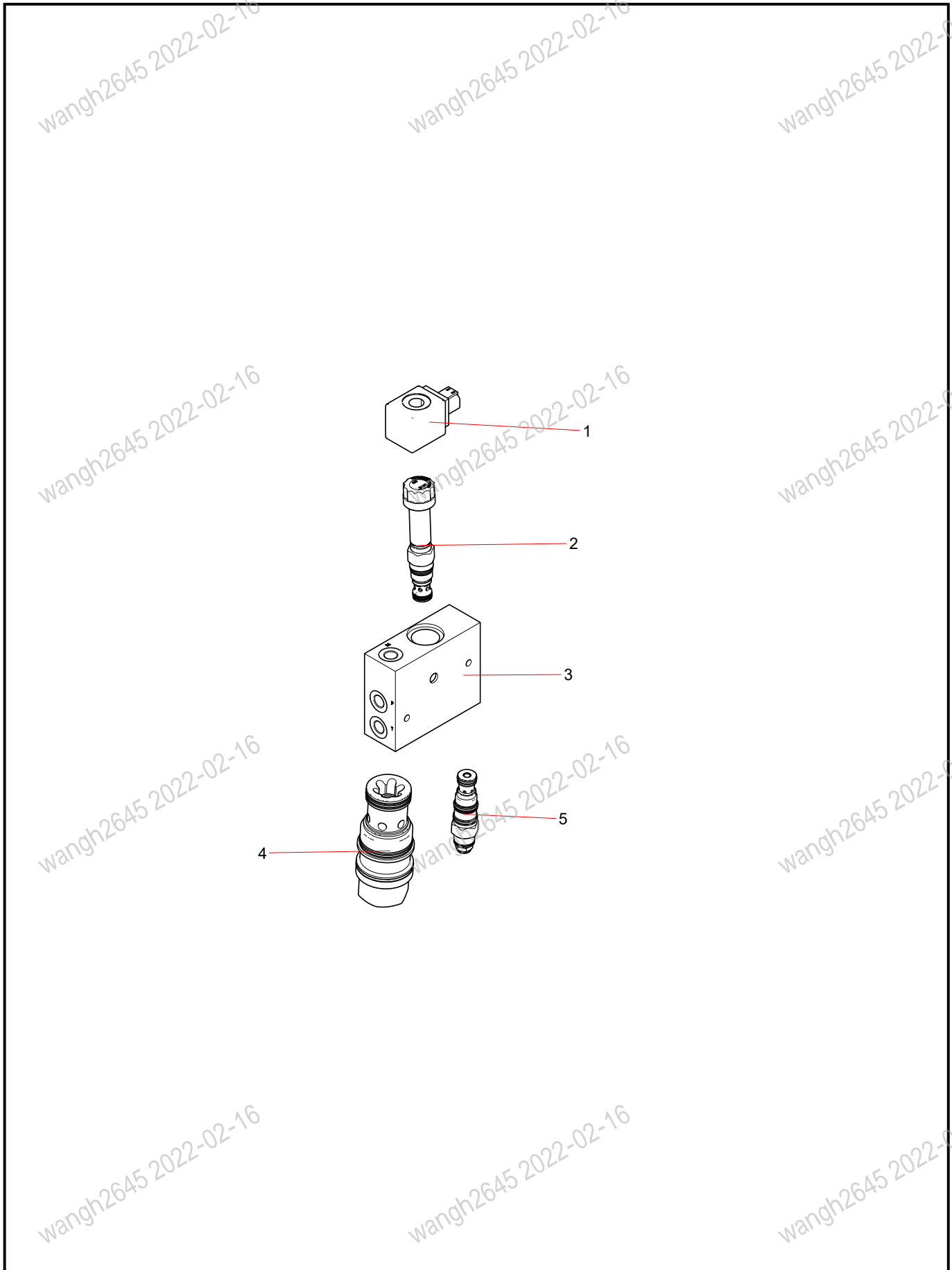
60342181 Electromagnetic Reversal Valve



60342181 Electromagnetic Reversal Valve

INDEX	PART NO.	DESCRIPTION	QTY	SEE PAGE
1	61016947	Accumulator	1	
2	61016948	Accumulator Connector	1	
3	61016951	Return Spring	1	
4	61016950	Ball	1	
5	61016944	Mhste Housing	1	
6	61016945	Electromagnetic Valve	2	
7	61016946	Coil	2	
8	61016956	Cone	1	
9	61016961	spring	1	
10	61016962	Servo piston spring	1	
11	61016960	Plug	1	
12	61016955	Reducer Hosing	1	
13	61016958	Spring Washer	1	
14	61016959	spring	1	
15	61016963	Plug	5	
16	61016954	Reducer Spool	1	
17	61016953	Plug	1	
18	61016964	Oil Source Valve Repair Kit	1	

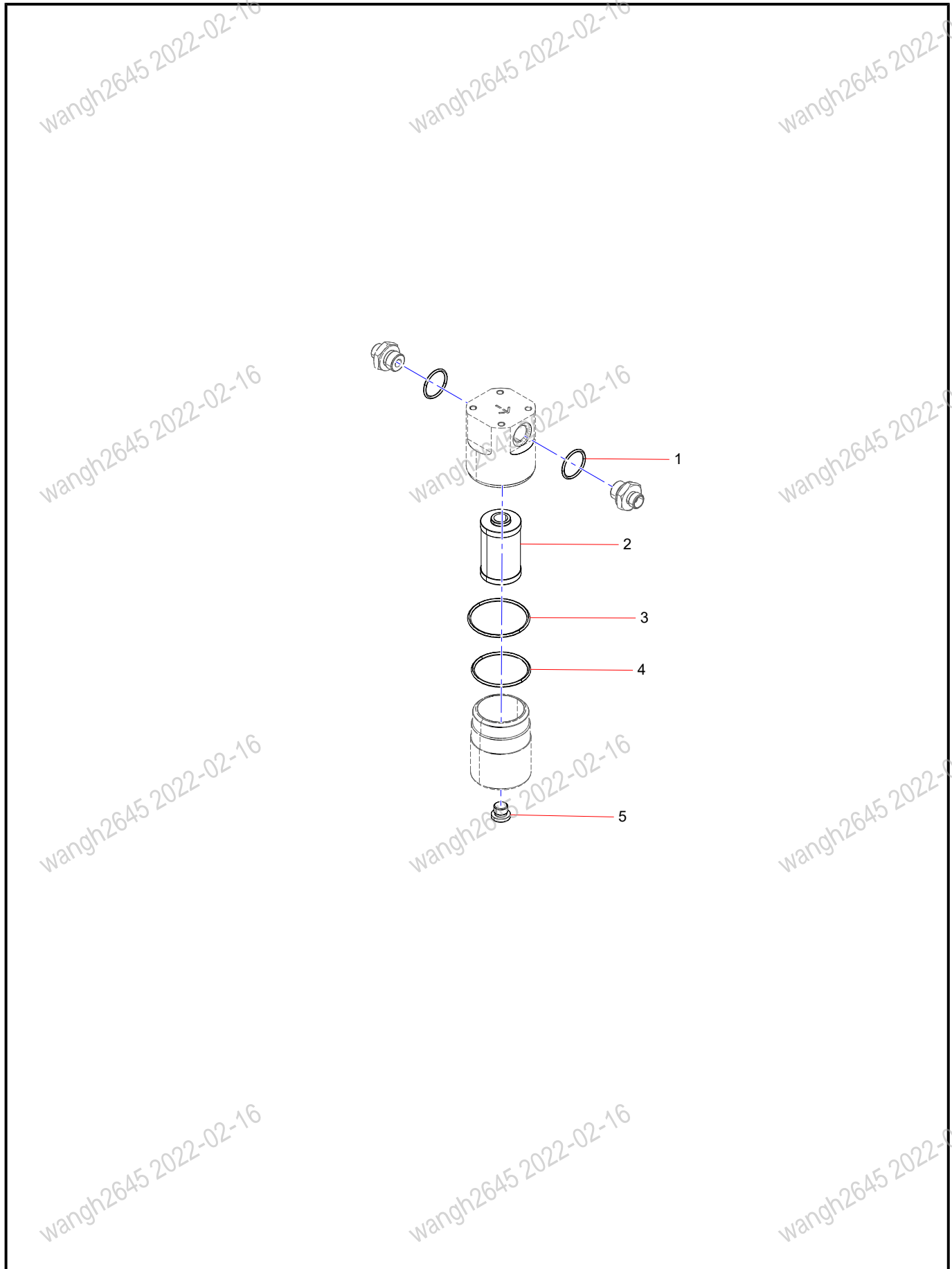
150401030033A Spool



150401030033A Spool

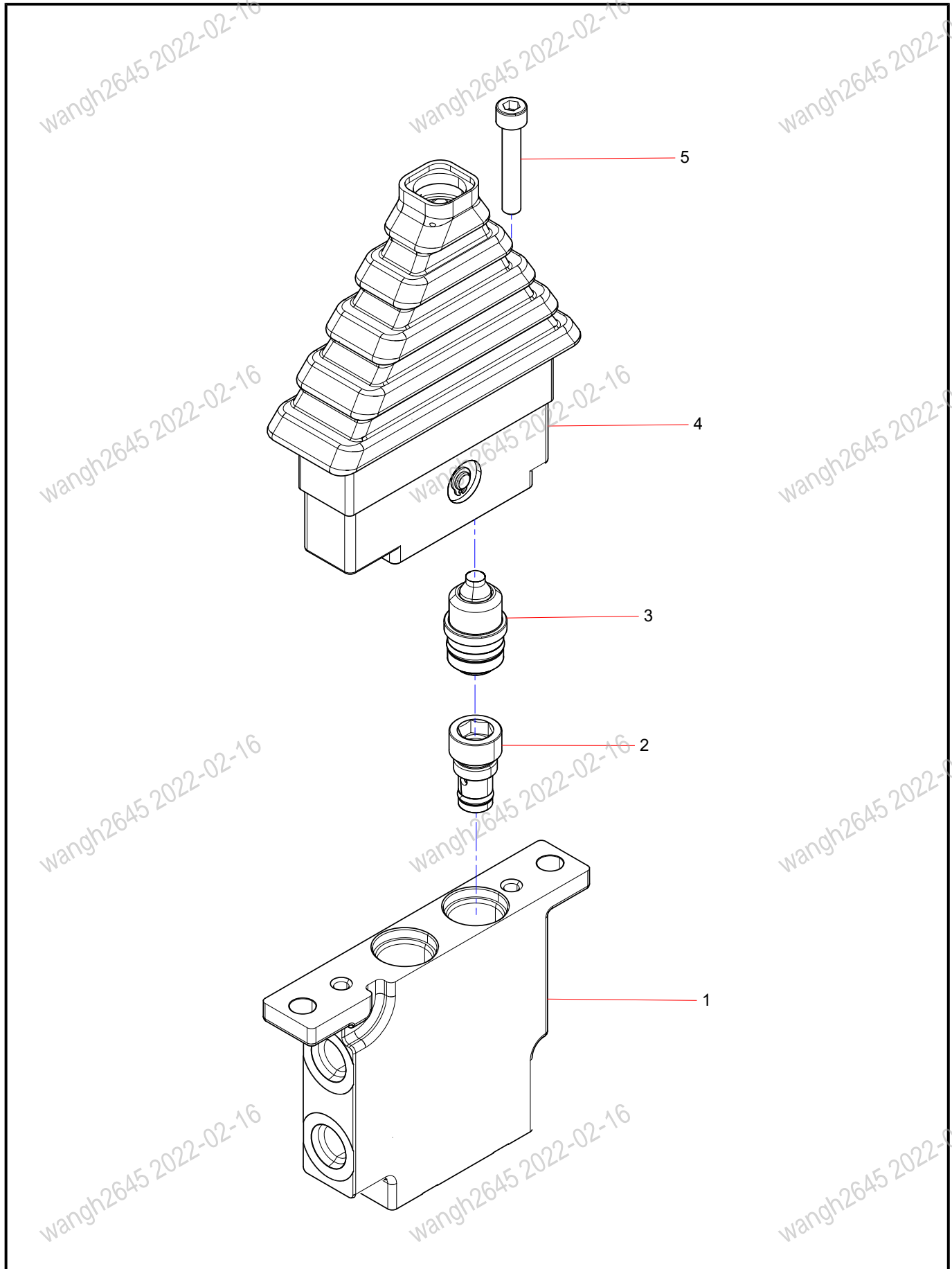
INDEX	PART NO.	DESCRIPTION	QTY	SEE PAGE
1	150401030033A001	Valvecr000026	1	
2	150401030033A002	Valve Ce000146	1	
3	150401030033A003	Valve Cd000188	1	
4	150401030033A004	Plug Ab000001	1	
5	150401030033A005	Solenoid Valve Body A000001	1	

60211330 Filter



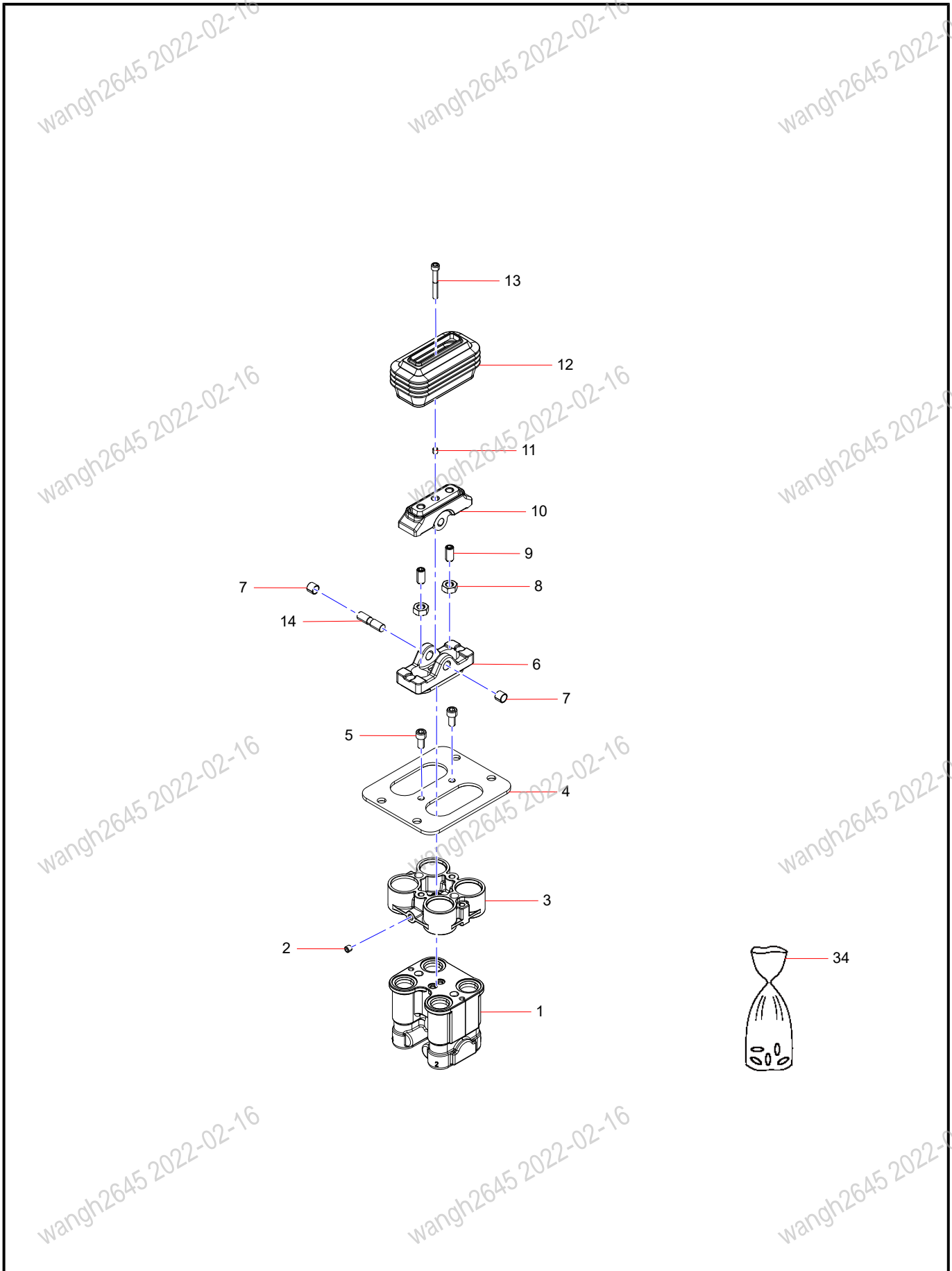
INDEX	PART NO.	DESCRIPTION	QTY	SEE PAGE
1	29010015	O-ring	2	
2	A222100000119	Pilot Hydraulic Oil Filter	1	
3	A210609000132	O-ring	1	
4	A210609000133	O-ring	1	
5	B210399000001	Screw Plug	1	

60281974 Pilot Valve

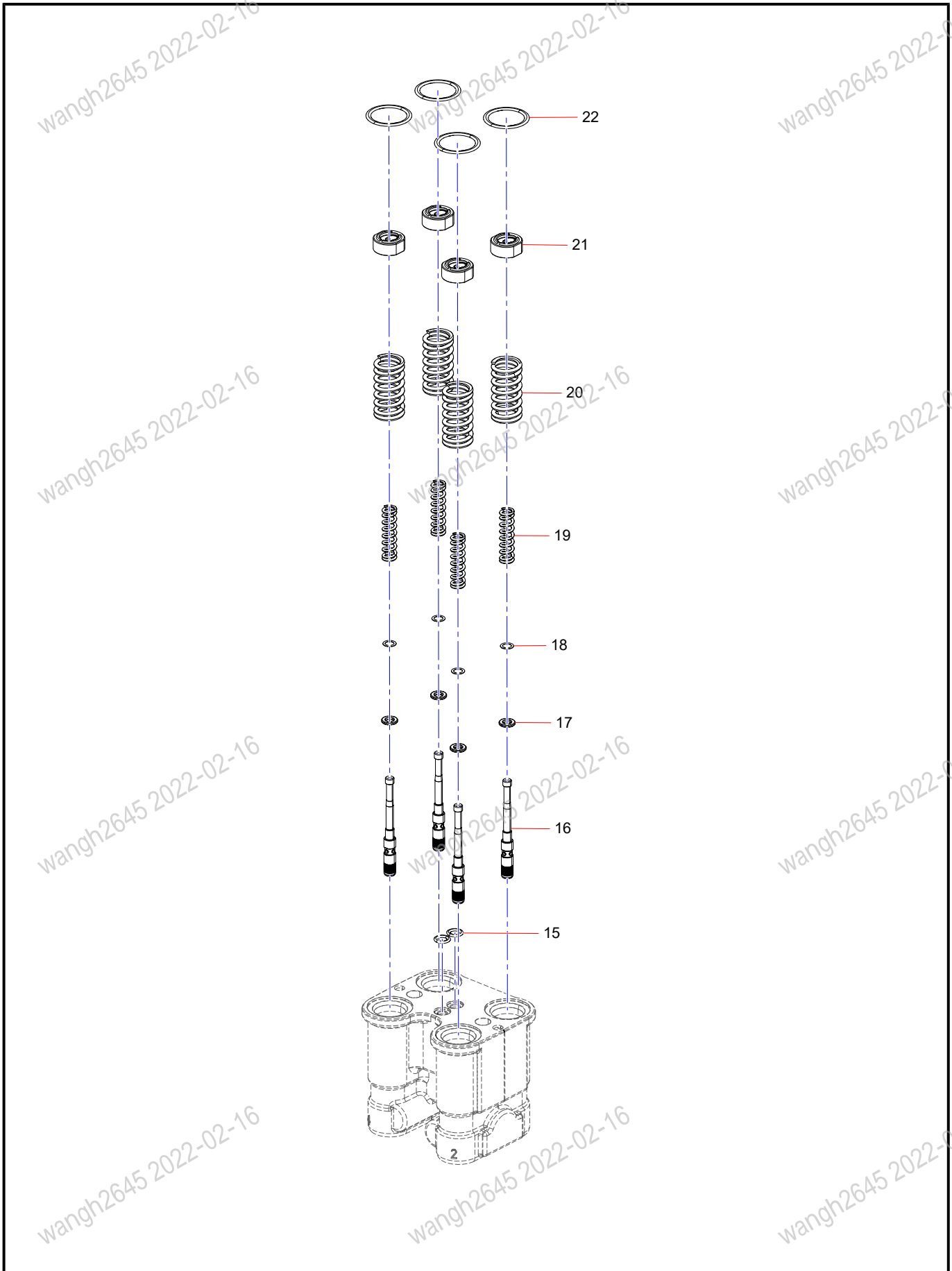


INDEX	PART NO.	DESCRIPTION	QTY	SEE PAGE
1	150502010009A004	Valve Body	1	
2	150502010009A001	Spool Component	2	
3	150502010009A002	Push Rod Bushing Component	2	
4	150502010009A003	Permanent Seat Component	1	
5	A210307000015	Nut	2	

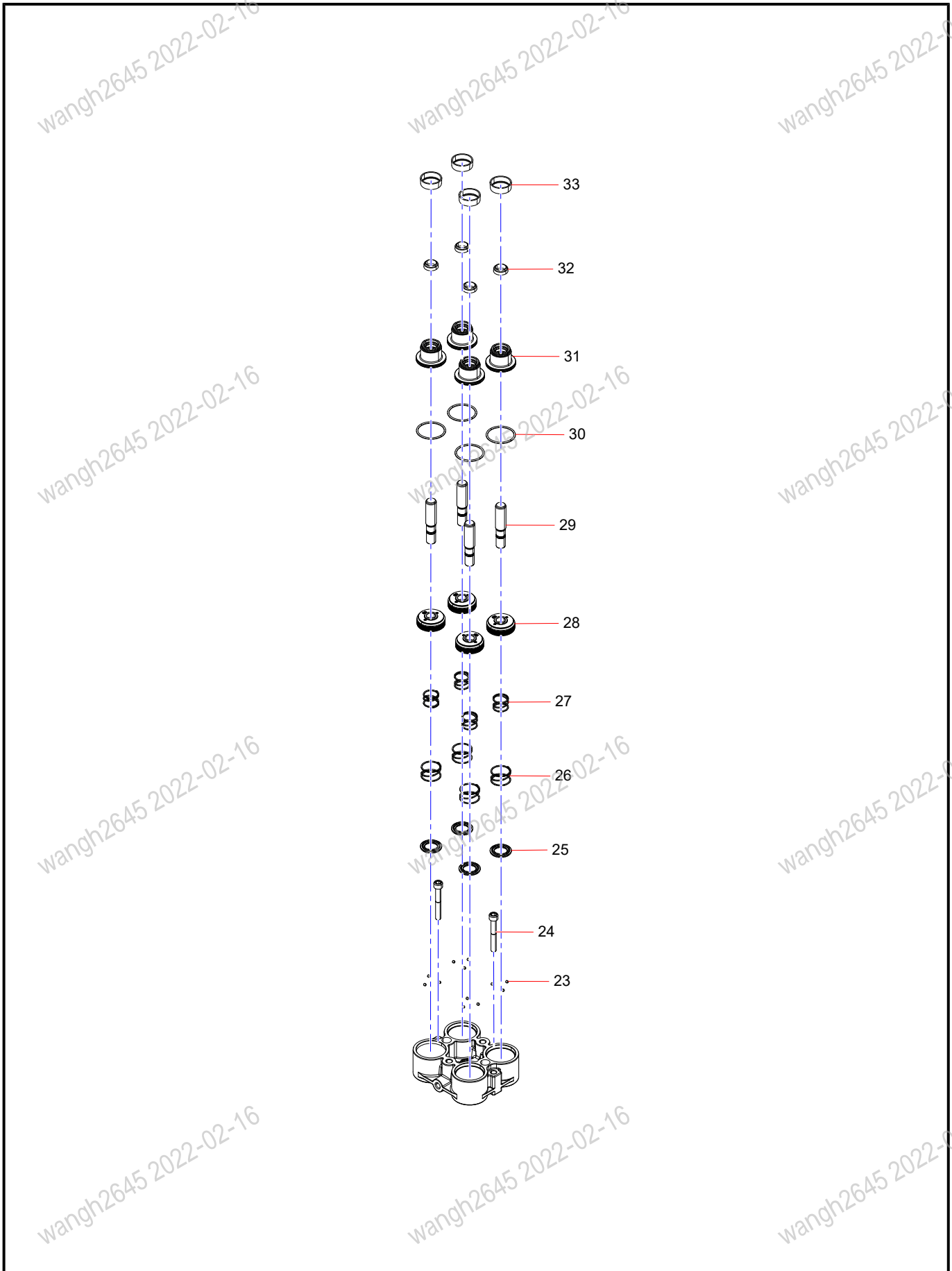
150505020014A Foot-Op. Pilot Valve (1/3)



INDEX	PART NO.	DESCRIPTION	QTY	SEE PAGE
1	150588000122A	Valve block	1	
2	150588000141A	Plug	1	
3	150588000130A	Shock absorber body	1	
4	150588000137A	plate	1	
5	21005085	Screw	2	
6	150588000138A	Fixed seat	2	
7	150588000144A	Bush	4	
8	A210307000036	Nut	4	
9	150588000149A	Screw	4	
10	150588000146A	seat	2	
11	150588000148A	Plug	2	
12	150588000150A	Dust cover	2	
13	150588000140A	Screw	2	
14	150588000147A	Cylindrical pin	2	
34	150505020014B001	Repair Kit	1	

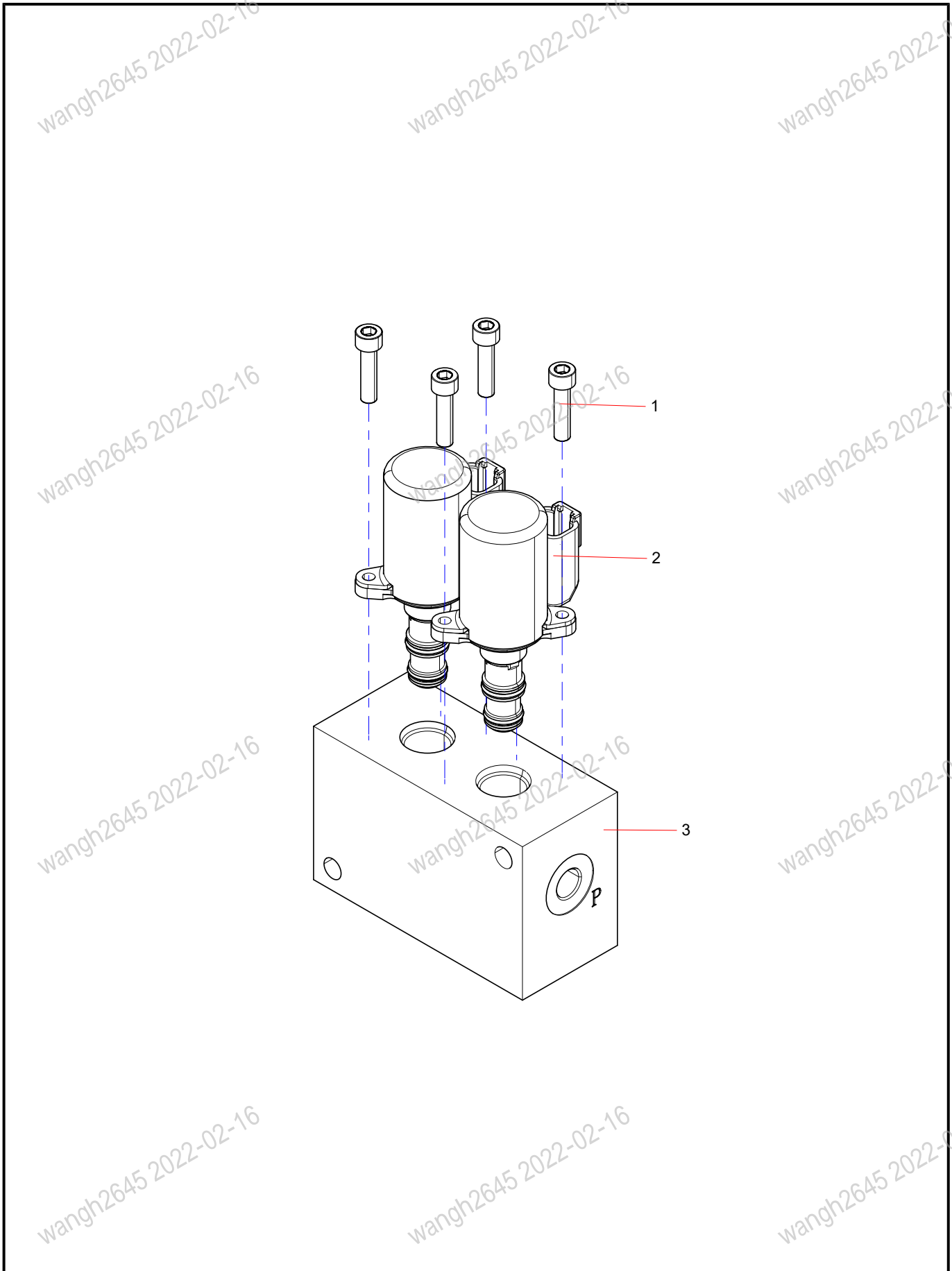


INDEX	PART NO.	DESCRIPTION	QTY	SEE PAGE
15	A210608000097	O-ring	2	
16	150588000124A	Spool	4	
17	150588000125A	Spring seat	4	
18	61017924	Gasket	4	
19	150588000126A	Spring	4	
20	150588000127A	Spring	4	
21	150588000123A	Spring seat	4	
22	150588000128A	O-ring	4	



INDEX	PART NO.	DESCRIPTION	QTY	SEE PAGE
23	150588000131A	Steel ball	12	
24	A210204000235	Screw	2	
25	150588000132A	Spring seat	4	
26	150588000135A	Spring	4	
27	150588000139A	Spring	4	
28	150588000134A	Spring seat	4	
29	150588000136A	Mandrel	4	
30	150588000143A	O-ring	4	
31	150588000133A	Crown bar seat	4	
32	150588000145A	Sealing parts	4	
33	150588000142A	Oil ring	4	

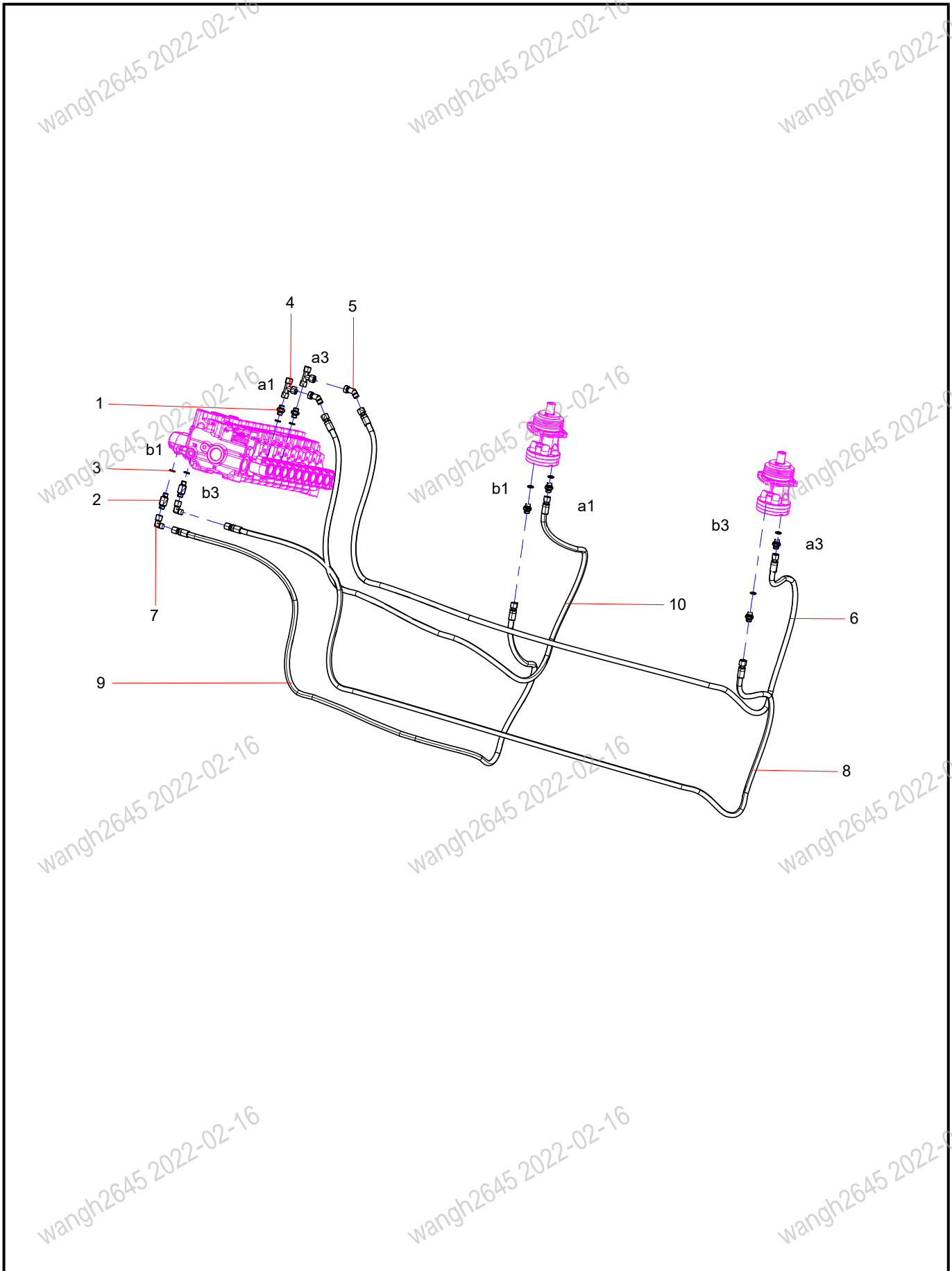
152301000023A Proportional Electromagnetic Valve



152301000023A Proportional Electromagnetic Valve

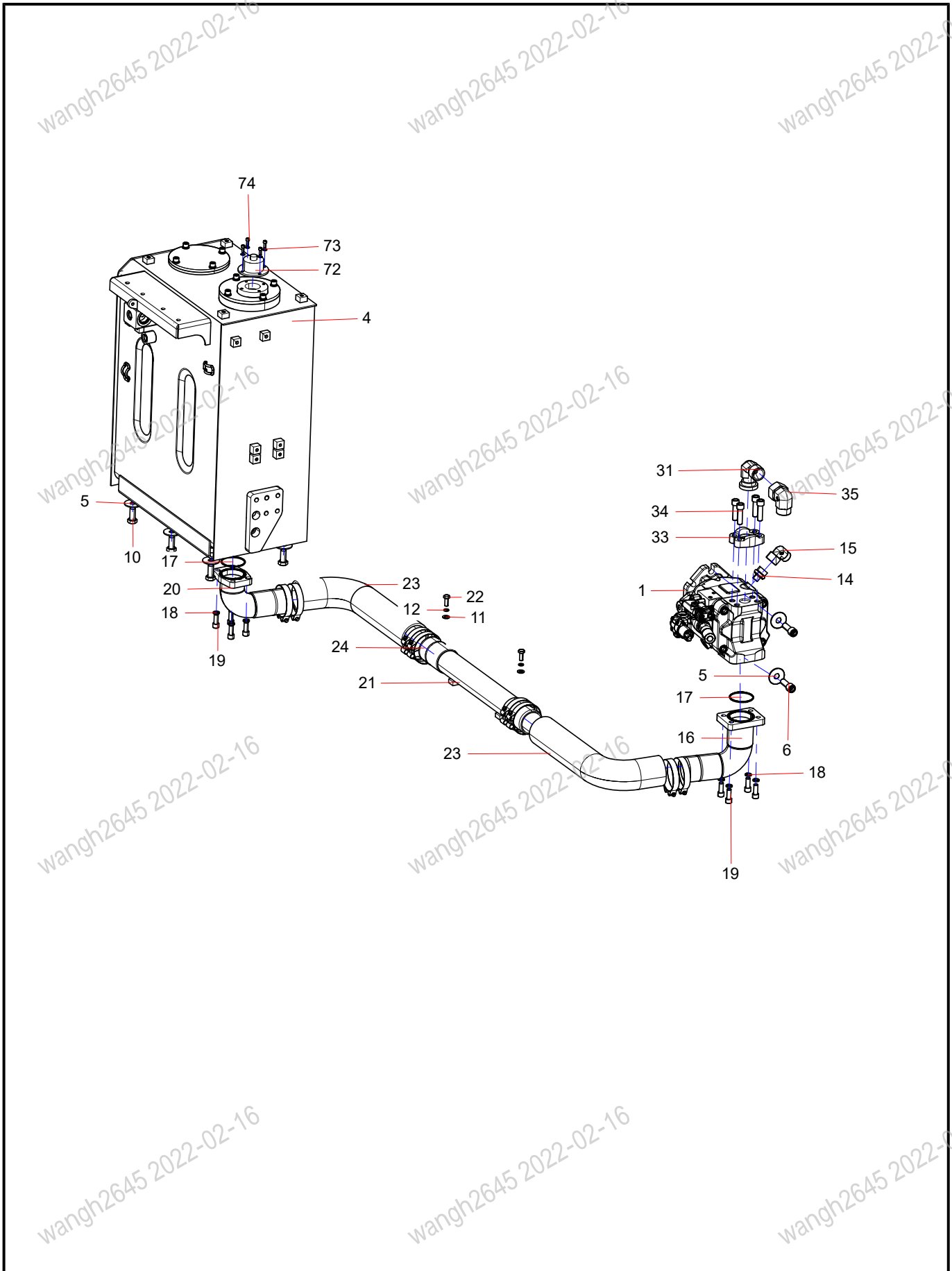
INDEX	PART NO.	DESCRIPTION	QTY	SEE PAGE
1	61025254	Bolt, Socket Head	4	
2	61025255	Solenoid Valve	2	
3	61025256	Valve Block	1	

Pilot Pipeline I

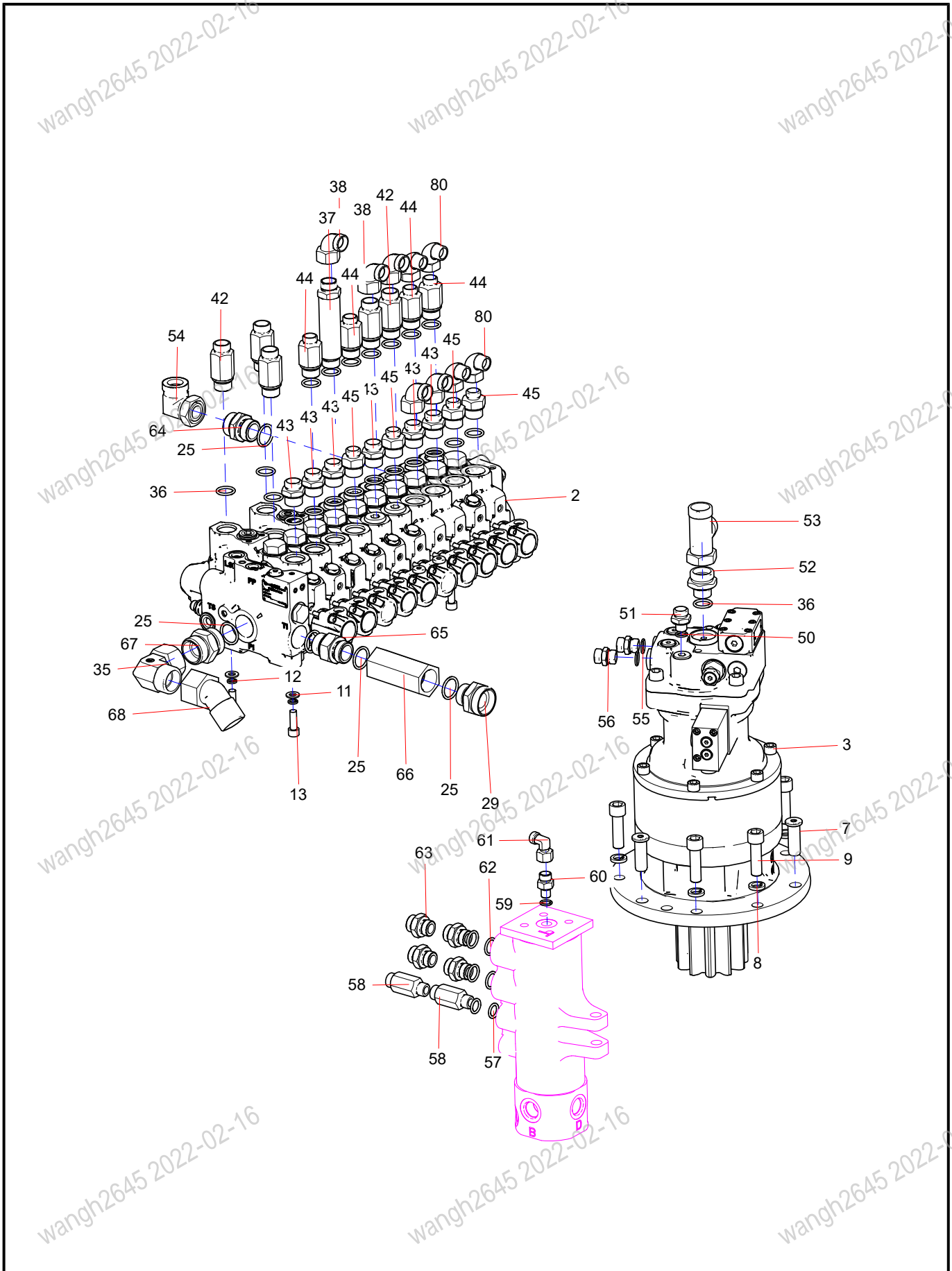


INDEX	PART NO.	DESCRIPTION	QTY	SEE PAGE
1	21002815	Fitting	6	
2	14280067	Connector	2	
3	B230101000047	O-ring	8	
4	B210780000170	Three Way Combination Joint	2	
5	A229900010160	Pipe Connector	2	
6	B230103002113	Hose	1	
7	B210780000418	Elbow Combination Connector	2	
8	B230103002114	Hose	1	
9	21027341	Hose	1	
10	B230103005492	Hose Assembly	1	

hydraulic main pipeline (1/8)

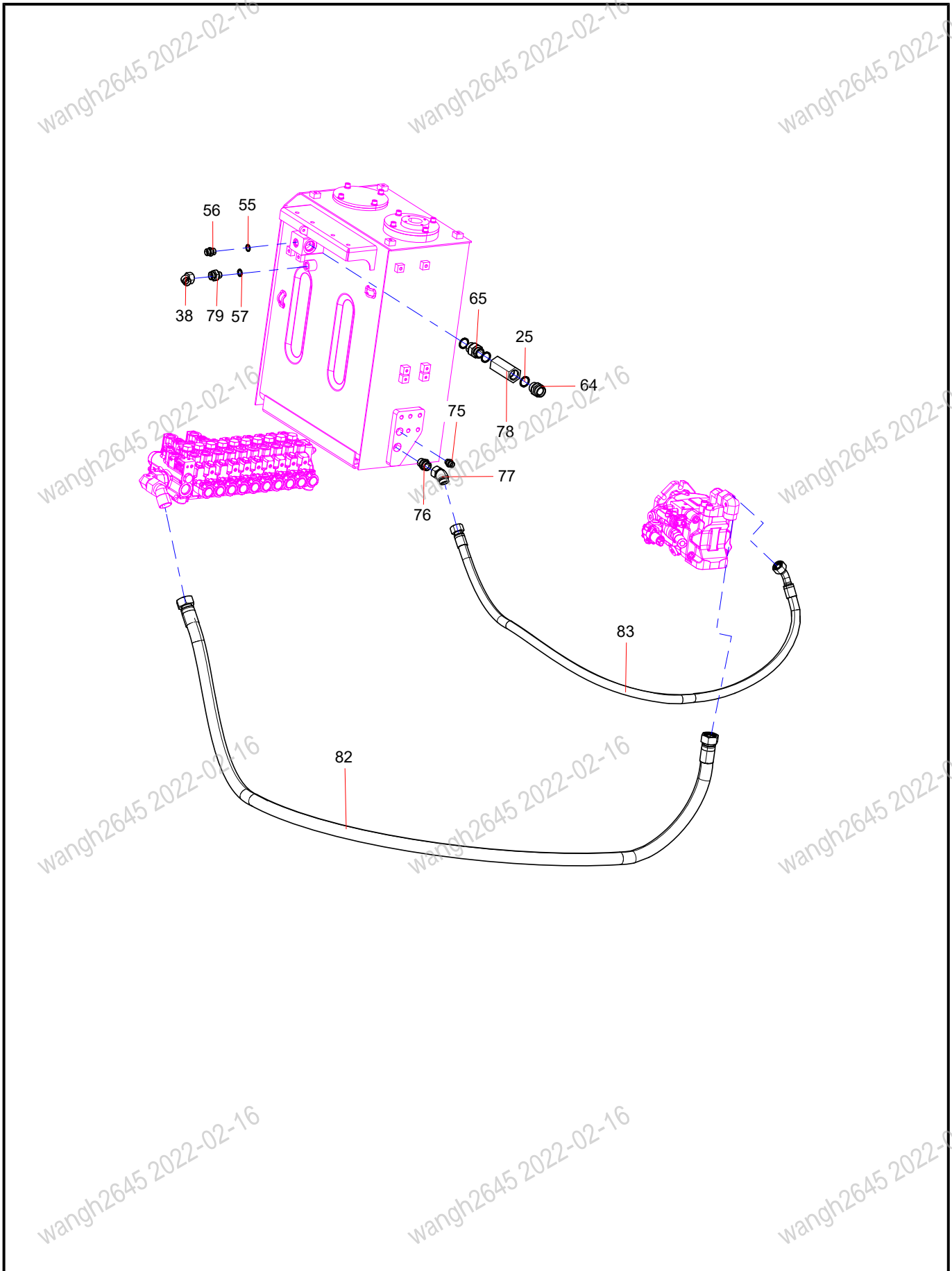


INDEX	PART NO.	DESCRIPTION	QTY	SEE PAGE
1	150101090016A	Plunger Pump	1	8-96
4	14287718	Hydraulic Fuel Tank Assy	1	8-132
5	60060553	Washer	8	
6	A210204000232	Screw	2	
10	A210111000212	Bolt	6	
11	21001328	Washer	9	
12	24000512	Washer	11	
14	B210780000107	End Straight Adapter	1	
15	B210780000028	Elbow Combination Fitting	1	
16	14279121	Suction steel pipe	1	
17	B230101000038	O-ring	2	
18	24000513	Washer	8	
19	A210204000337	Screw	8	
20	14284723	Oil suction steel pipe	1	
21	14278049	Suction steel pipe	1	
22	A210111000197	Bolt	2	
23	14277987	Suction hose	2	
24	A210855000052	Clamp, T-type	8	
31	A210770000615	Fitting, Elbow	1	
33	B210780000693	Split Flange	2	
34	A210204000353	Screw	4	
35	B210780001241	Fitting, Elbow	2	
72	60237031	Hydraulic Tank Breather Filter	1	8-136
73	24000632	Washer	4	
74	60249819	Screw	4	



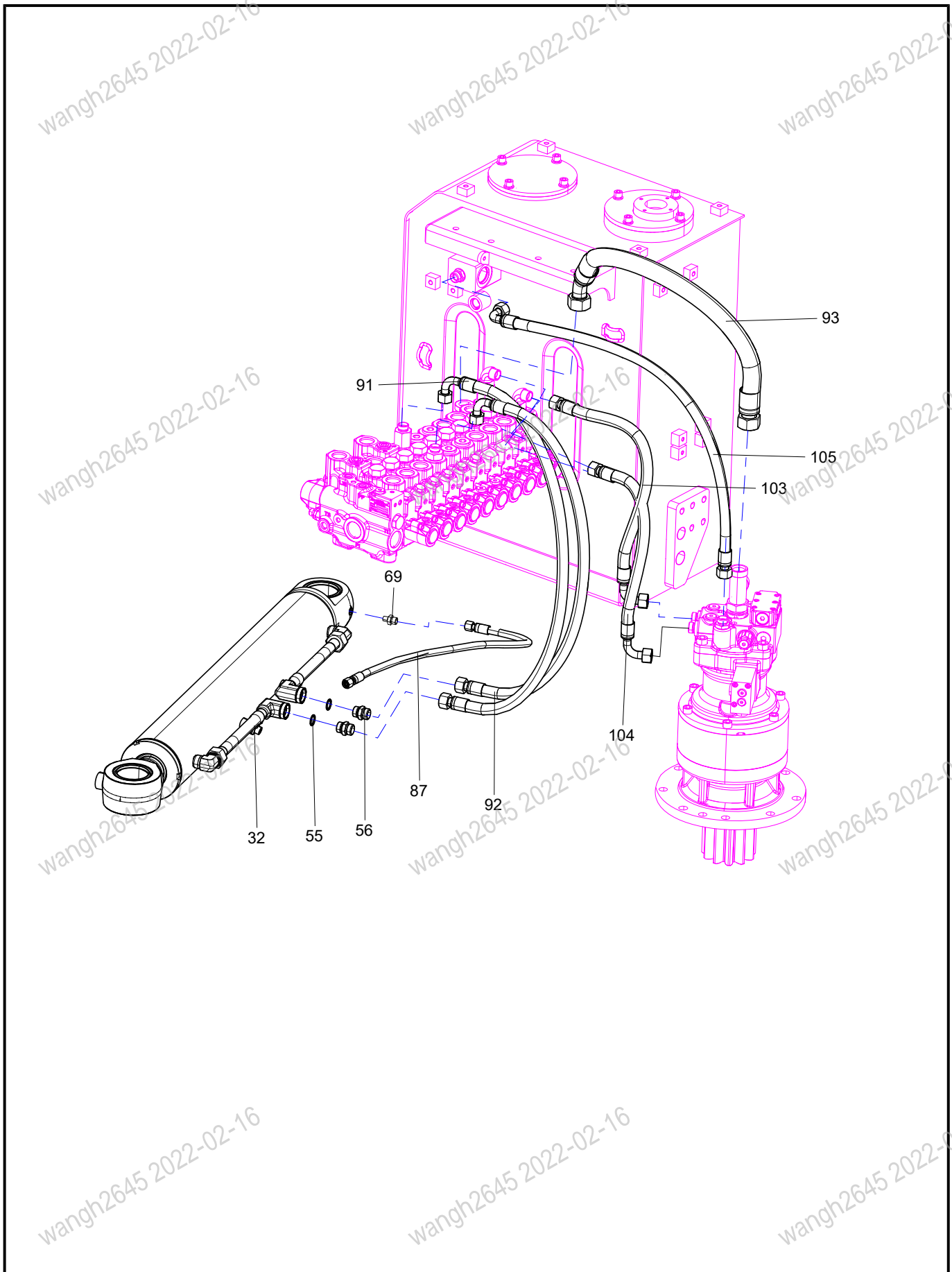
INDEX	PART NO.	DESCRIPTION	QTY	SEE PAGE
2	150601080013A	Valve, control	1	8-98
3	60241302	Reducer Assembly	1	8-124
7	11215836	Lock pin	2	
8	24000514	Washer	6	
9	A210204000312	Screw	6	
11	21001328	Washer	9	
12	24000512	Washer	11	
13	A210204000354	Screw	3	
25	B230101000050	O-ring	11	
29	11159187	G1-M45 connector	2	
35	B210780001241	Fitting, Elbow	2	
36	60082912	O-ring	21	
37	12375512	G3/4-M26-L140 Adaptor	1	
38	B210780001310	Elbow Combination Fitting	6	
42	13203029	Connector	5	
43	21002825	End Straight Adapter	7	
44	12375484	G3/4-M22-L65 Adaptor	4	
45	21002823	End Straight Adapter	5	
50	B230101000049	O-ring	1	
51	21011029	Pipe connector	1	
52	A820205002352	Joint, G3/4-M36	1	
53	21051021	Tee Joint	1	
54	B210780000838	Elbow Combination Fitting	2	
55	B230101000090	O-ring	5	
56	21002822	Fitting	5	
57	A230101000243	O-ring	3	
58	14277955	Fitting	2	
59	A230101000247	O-ring	1	
60	A820205000894	Fitting	1	
61	B210780000024	Elbow Combination Fitting	1	
62	A230101000244	O-ring	4	
63	A820205002377	Fitting	4	
64	A820205002468	Connector	2	
65	A820205002464	Connector	2	
66	A220401000295	One-Way Valve	1	
67	A820205001334	End Straight Adapter	1	
68	60202198	Pipe connector	1	
80	B210780000025	Elbow Combination Fitting	5	

hydraulic main pipeline (3/8)



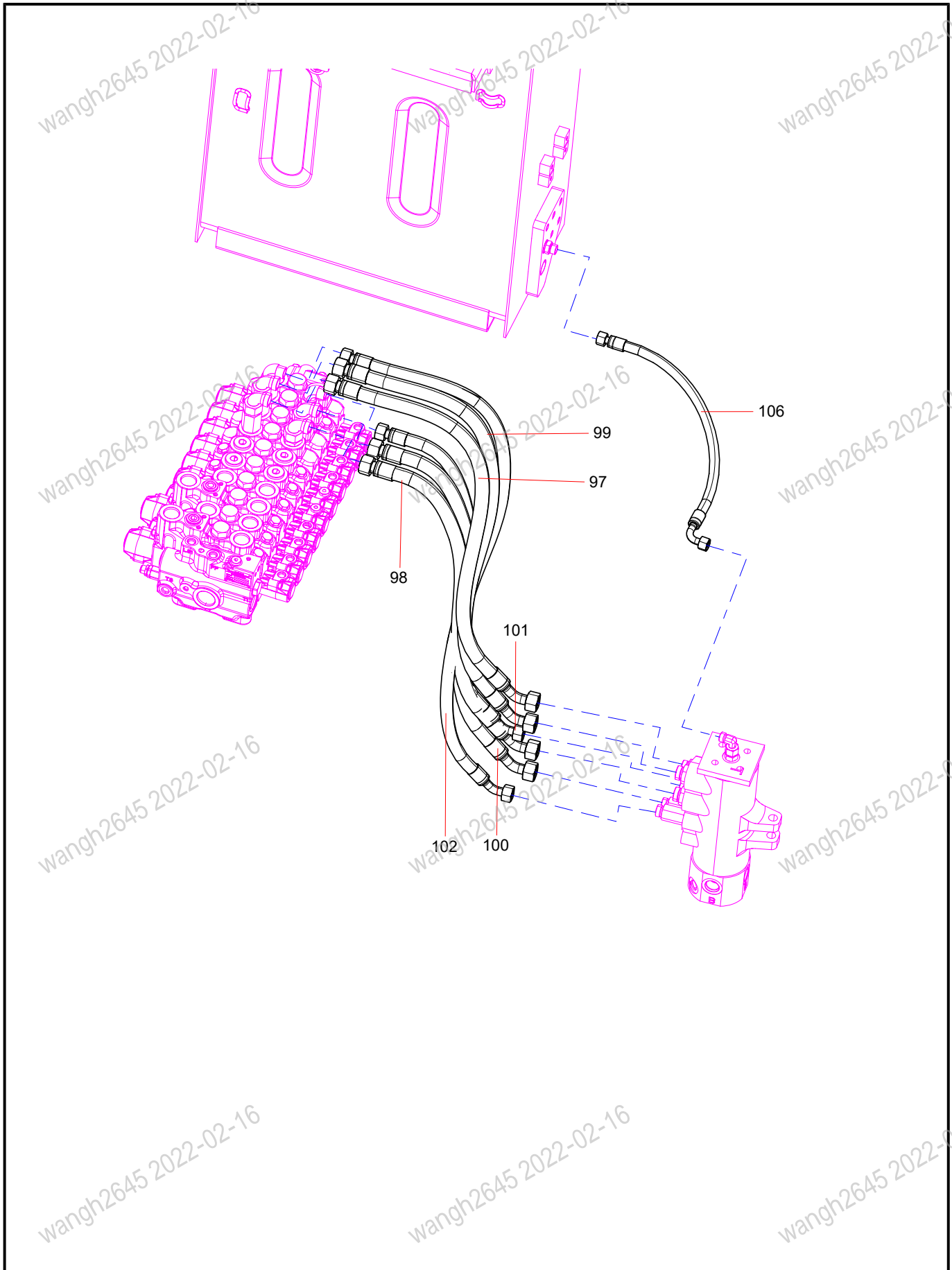
INDEX	PART NO.	DESCRIPTION	QTY	SEE PAGE
25	B230101000050	O-ring	11	
38	B210780001310	Elbow Combination Fitting	6	
55	B230101000090	O-ring	5	
56	21002822	Fitting	5	
57	A230101000243	O-ring	3	
64	A820205002468	Connector	2	
65	A820205002464	Connector	2	
75	B210780000180	Adapter Fitting	1	
76	B210780000421	Connector	1	
77	60202196	Pipe connector	1	
78	A220401000334	One-way Valve	1	
79	A820205002378	Connector	1	
82	151008160002	Rubber Hose	1	
83	60122440	Rubber Hose	1	

hydraulic main pipeline (4/8)



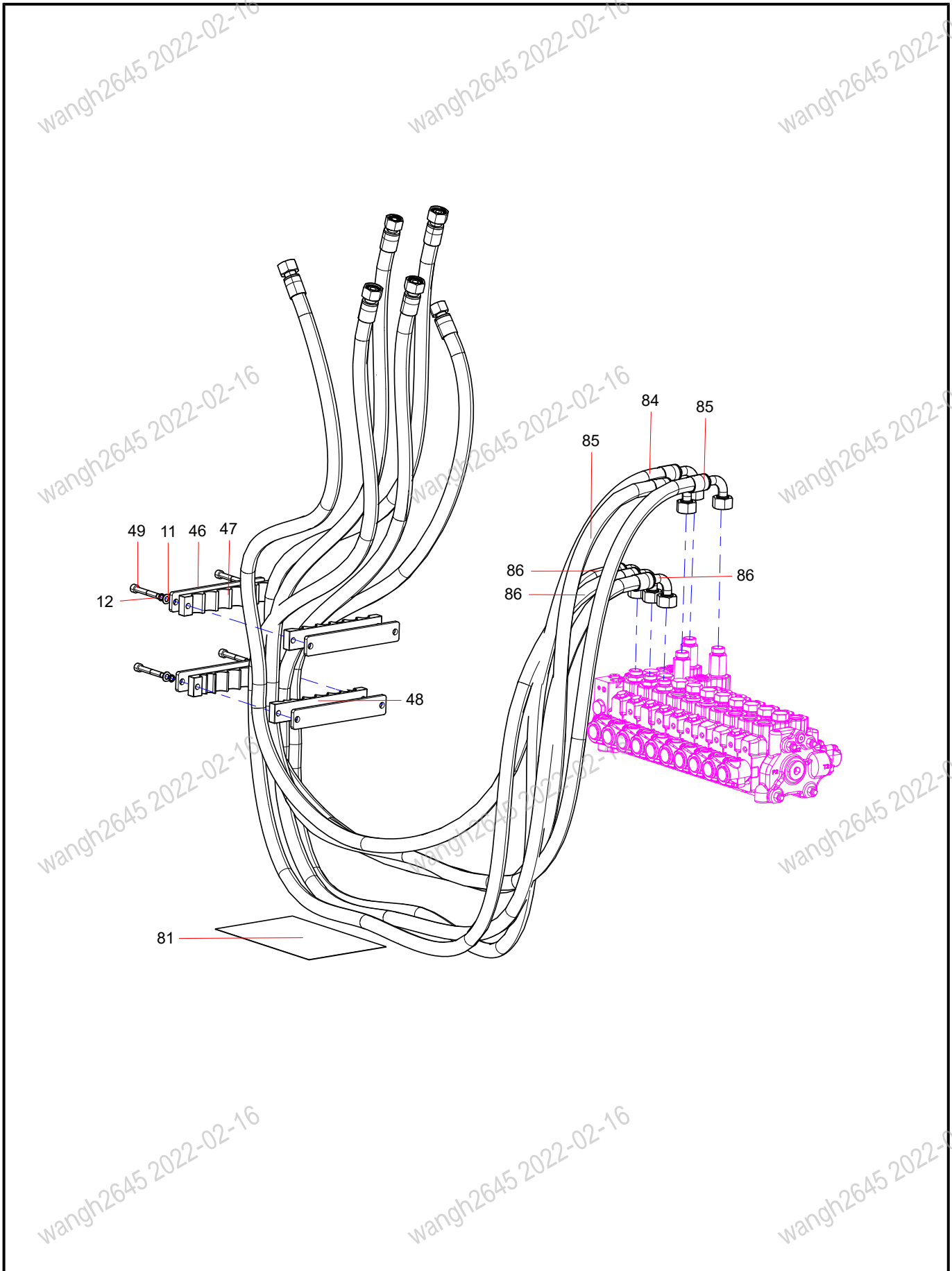
INDEX	PART NO.	DESCRIPTION	QTY	SEE PAGE
32	14272136	Bulldozing shovel oil cylinder	1	8-134
55	B230101000090	O-ring	5	
56	21002822	Fitting	5	
69	11325808	adaptor	1	
87	B230103000983	Hose Assembly	1	
91	B230103007877	Hose AS	1	
92	60243800	Rubber Hose	1	
93	151008060111A	Hose AS	1	
103	B230103000353	Pipe	1	
104	B230103001231	Hose	1	
105	B230103000789	Rubber hose	1	

hydraulic main pipeline (5/8)



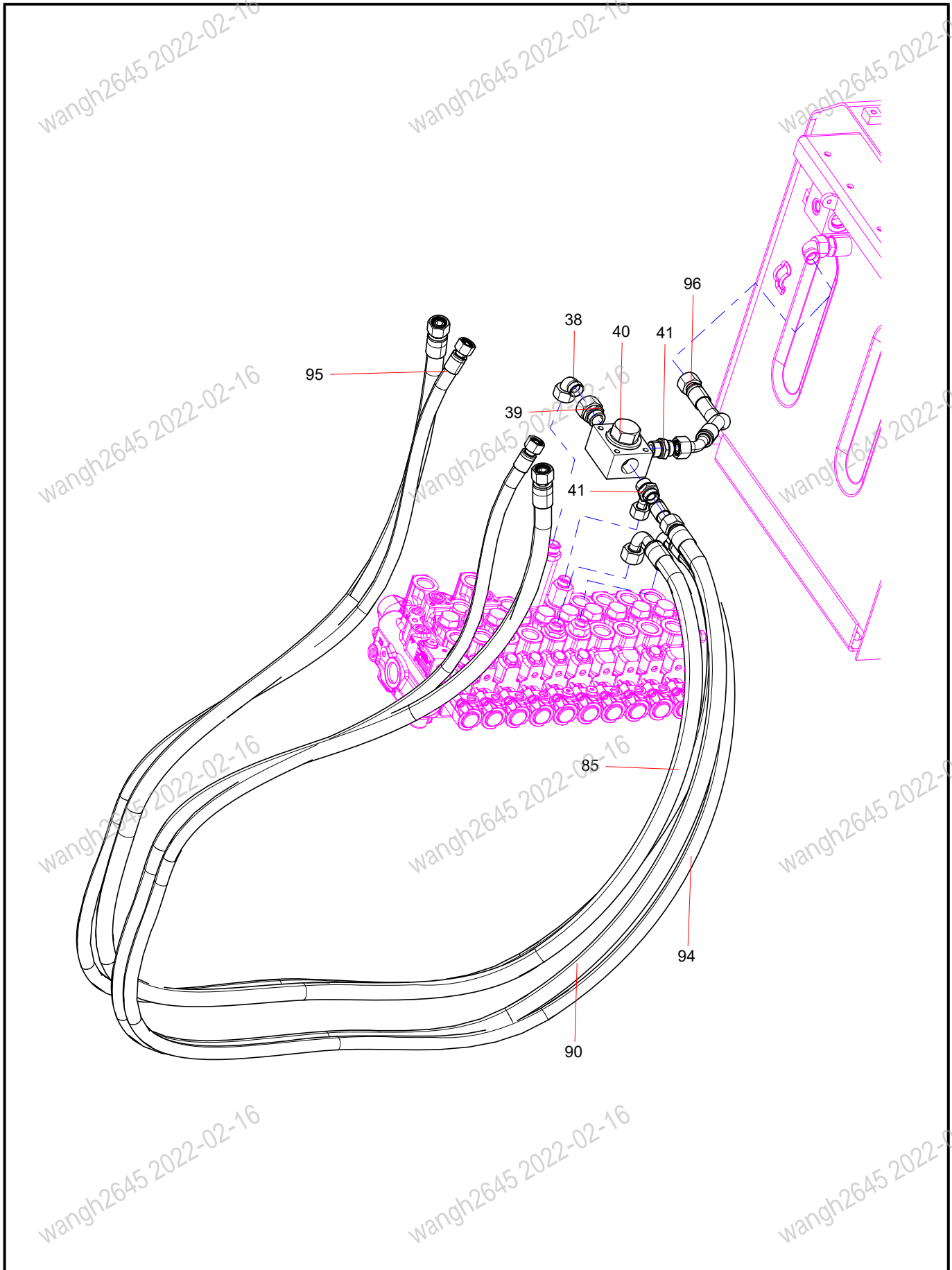
INDEX	PART NO.	DESCRIPTION	QTY	SEE PAGE
97	61029459	Rubber Hose	1	
98	61029457	Hose	1	
99	61029460	Rubber Hose	1	
100	61029458	Rubber Hose	1	
101	61029451	Rubber Hose	1	
102	B230103008442	Hose, rubber	1	
106	B230103004673	Rubber Hose	1	

hydraulic main pipeline (6/8)



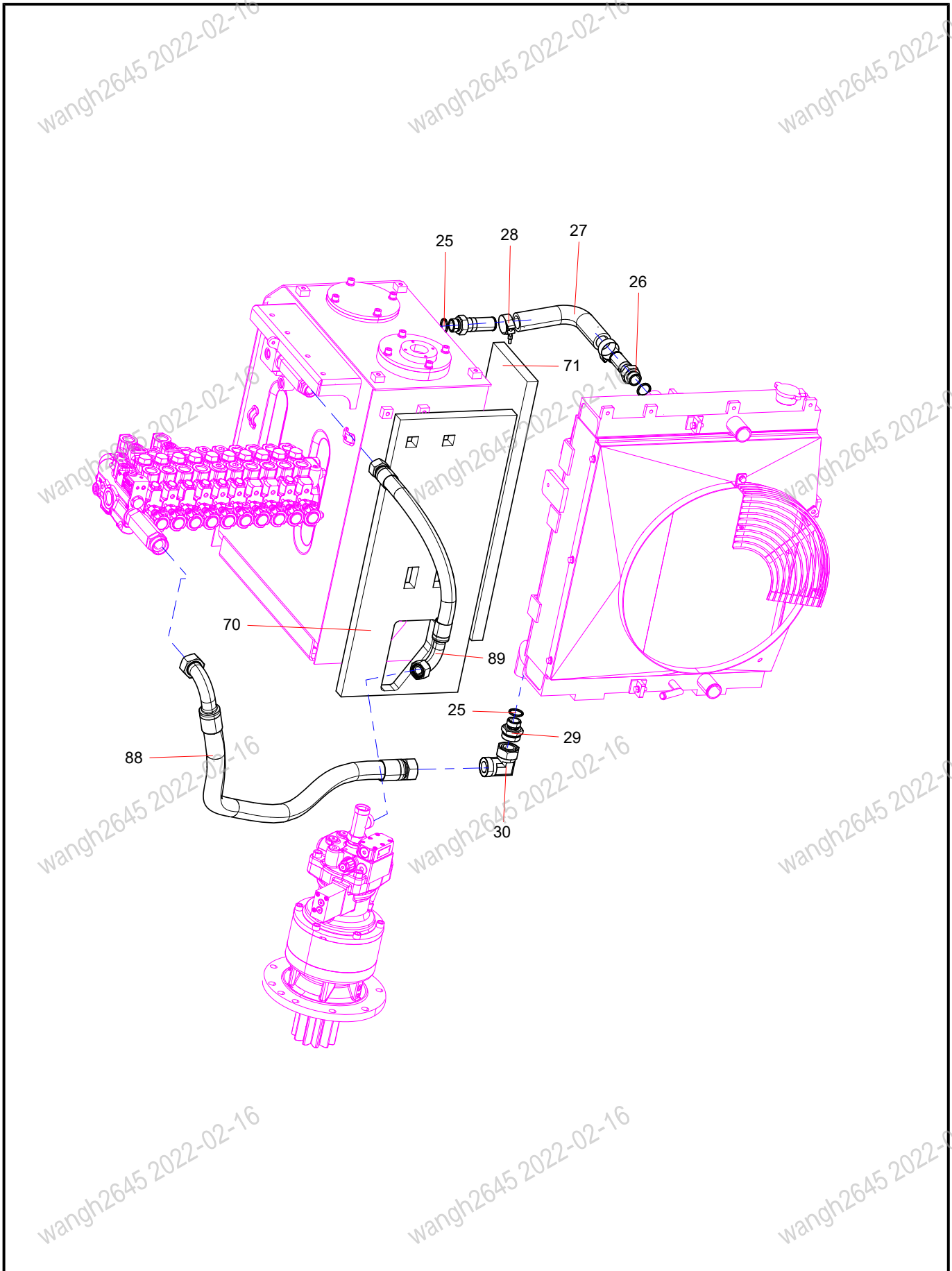
INDEX	PART NO.	DESCRIPTION	QTY	SEE PAGE
11	21001328	Washer	9	
12	24000512	Washer	11	
46	14280637	Board	4	
47	14277991	Clamp	2	
48	14278012	Clamp	2	
49	A210204000345	Screw	4	
81	13391350	Hose Protective Sleeve	2	
84	151006160008	Rubber Hose	1	
85	61029470	Rubber Hose	3	
86	61029469	Rubber Hose	3	

hydraulic main pipeline (7/8)



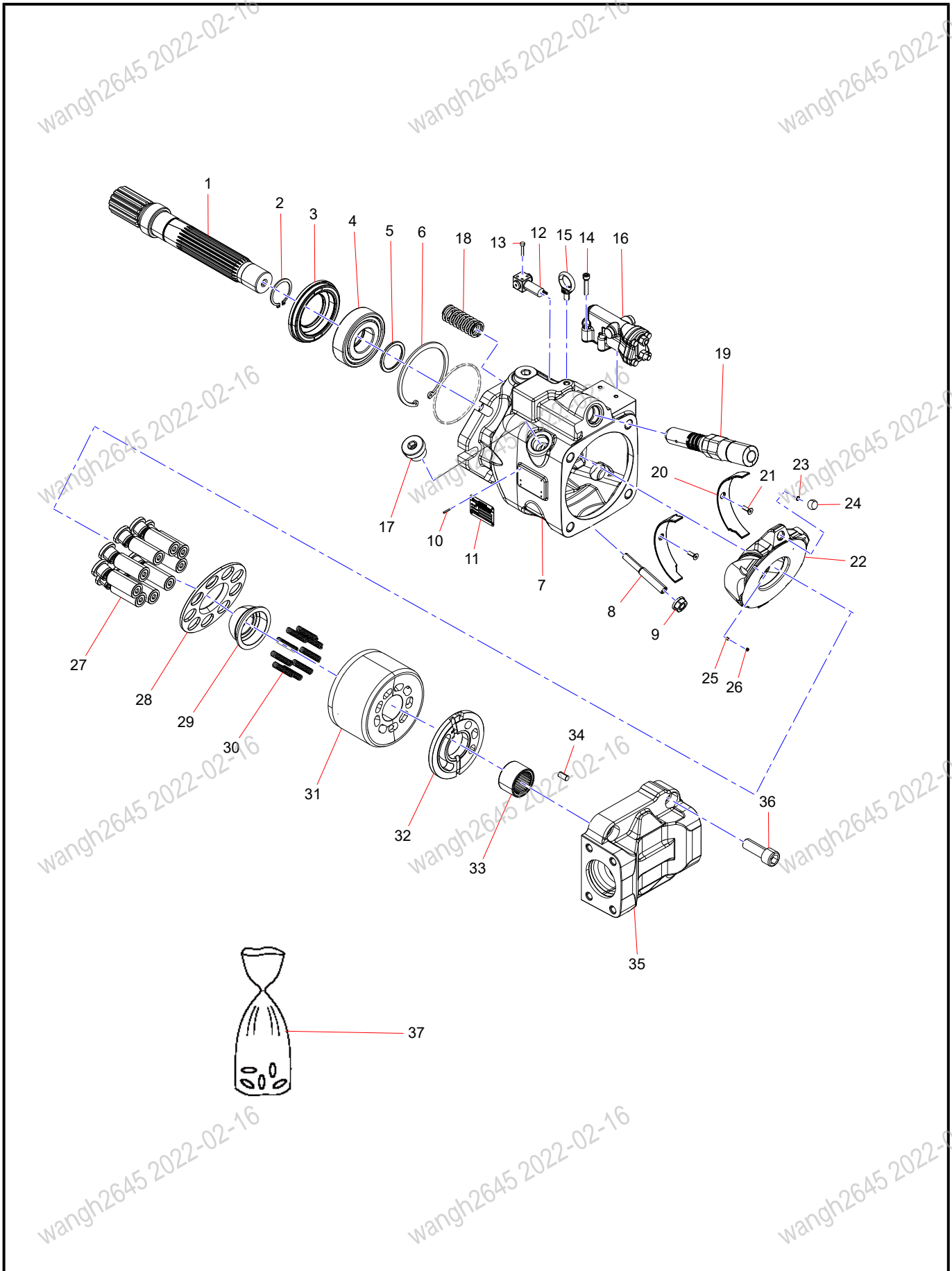
INDEX	PART NO.	DESCRIPTION	QTY	SEE PAGE
38	B210780001310	Elbow Combination Fitting	6	
39	21005568	End Straight Connector	1	
40	60246486	High Pressure Ball Valve	1	
41	B210780000184	Fitting	2	
85	61029470	Rubber Hose	3	
90	151006160013	Rubber Hose	1	
94	61029454	Rubber Hose Assembly	1	
95	61029453	Rubber Hose	1	
96	61029439	Rubber Hose	1	

hydraulic main pipeline (8/8)



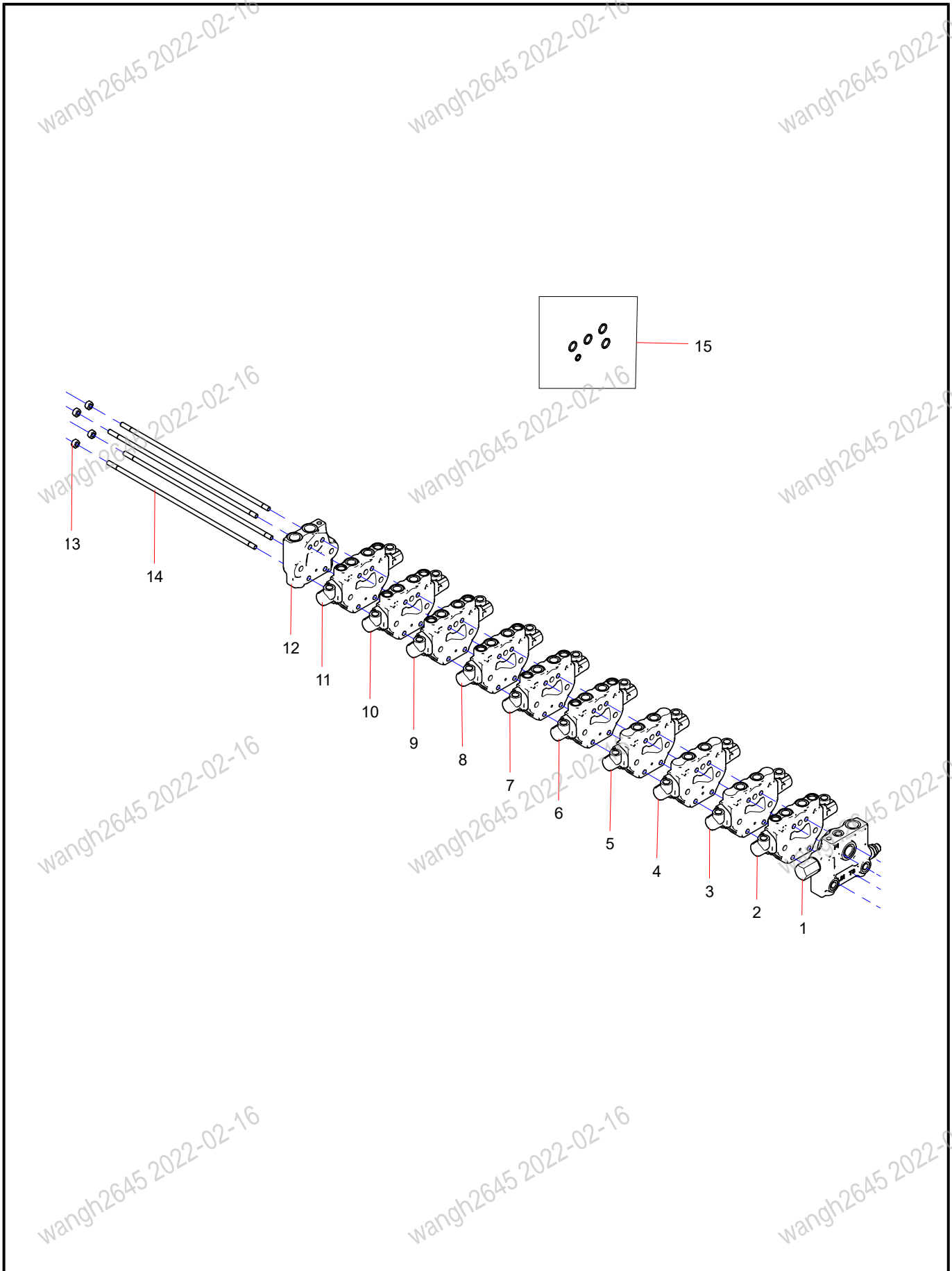
INDEX	PART NO.	DESCRIPTION	QTY	SEE PAGE
25	B230101000050	O-ring	11	
26	12879311	Return Joint	2	
27	14278022	Suction hose	1	
28	60244178	Clamp Spring	2	
29	11159187	G1-M45 connector	2	
30	B210780000030	Fitting, Elbow	1	
70	14401280	Sponge	1	
71	14285178	Sponge	1	
88	61031961	Rubber Hose	1	
89	B230103001586	Rubber Hose 1Sn25-Dkol-Dkol90-680	1	

150101090016A Plunger Pump



INDEX	PART NO.	DESCRIPTION	QTY	SEE PAGE
1	150188000459A	Main shaft	1	
2	150188000456A	Retaining ring	1	
3	150188000457A	Oil seal cover	1	
4	150188000460A	Bearing	1	
5	150188000461A	Washer	1	
6	150188000462A	Retaining ring	1	
7	150188000463A	Body	1	
8	150188000465A	Screw	1	
9	150188000466A	Nut	1	
10	A21051000010	Rivet	4	
11	150188000464A	Nameplate	1	
12	150188000483A	Pilot valve assy	1	
13	A210204000268	Screw	4	
14	A210204000133	Screw	4	
15	23001846	Slinger	1	
16	150188000485A	Control valve assy	1	
17	150188000486A	Screw block	3	
18	150188000473A	Spring	1	
19	150188000482A	Power valve assy	1	
20	150188000474A	Bearing bush	2	
21	60272781	Screw	2	
22	150188000475A	Swashplate	1	
23	150188000481A	Spring	1	
24	150188000480A	Steel ball	1	
25	150188000476A	Throttle screw plug	1	
26	150588000141A	Plug	11	
27	150188000467A	Piston	9	
28	150188000468A	Retainer plate	1	
29	150188000469A	Ball hinge	1	
30	150188000470A	Spring	9	
31	150188000471A	Cylinder body	1	
32	150188000472A	Port plate	1	
33	150188000477A	Bearing	1	
34	150188000479A	Lock pin	1	
35	150188000478A	Rear cover	1	
36	A210204000232	Screw	4	
37	150188000488A	Repair kit	1	

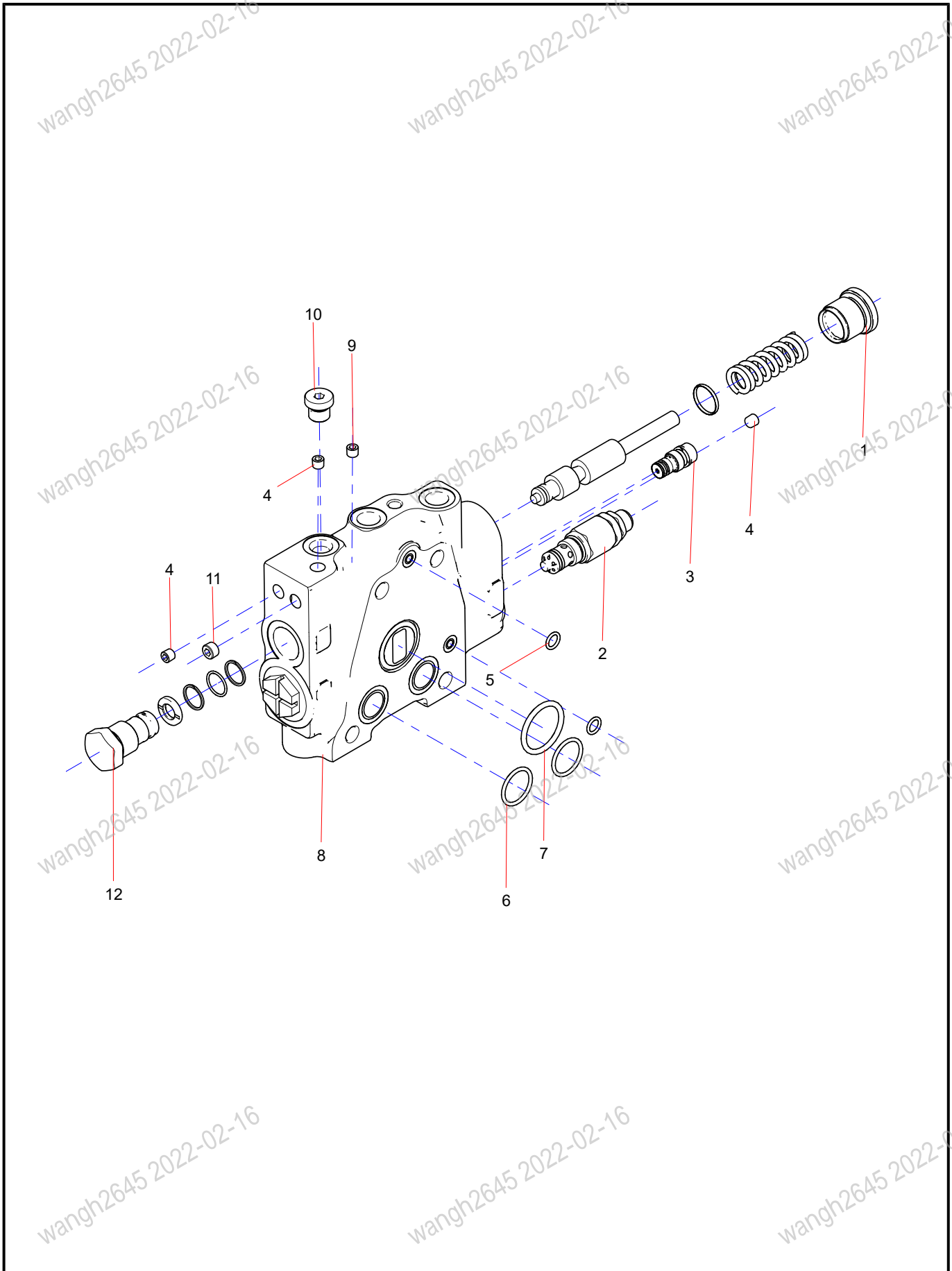
150601080013A Valve, control



150601080013A Valve, control

INDEX	PART NO.	DESCRIPTION	QTY	SEE PAGE
1	150688000405A	Inlet assy	1	8-100
2	150688000406A	Boom section assy	1	8-102
3	150688000407A	Bucket section assy	1	8-104
4	150688000408A	Arm section assy	1	8-106
5	150688000409A	Boom Swing Assy	1	8-108
6	150688000410A	Aux section assy	1	8-110
7	150688000411A	Aux section assy	1	8-112
8	150688000412A	Travel section assy	1	8-114
9	150688000413A	Travel section assy	1	8-116
10	150688000414A	Dozer section assy	1	8-118
11	150688000415A	Slewing section assy	1	8-120
12	150688000416A	Out section assy	1	8-122
13	150688000417A	Nut	4	
14	150688000418A	Bolt	4	
15	150688000419A	Repair kit	1	

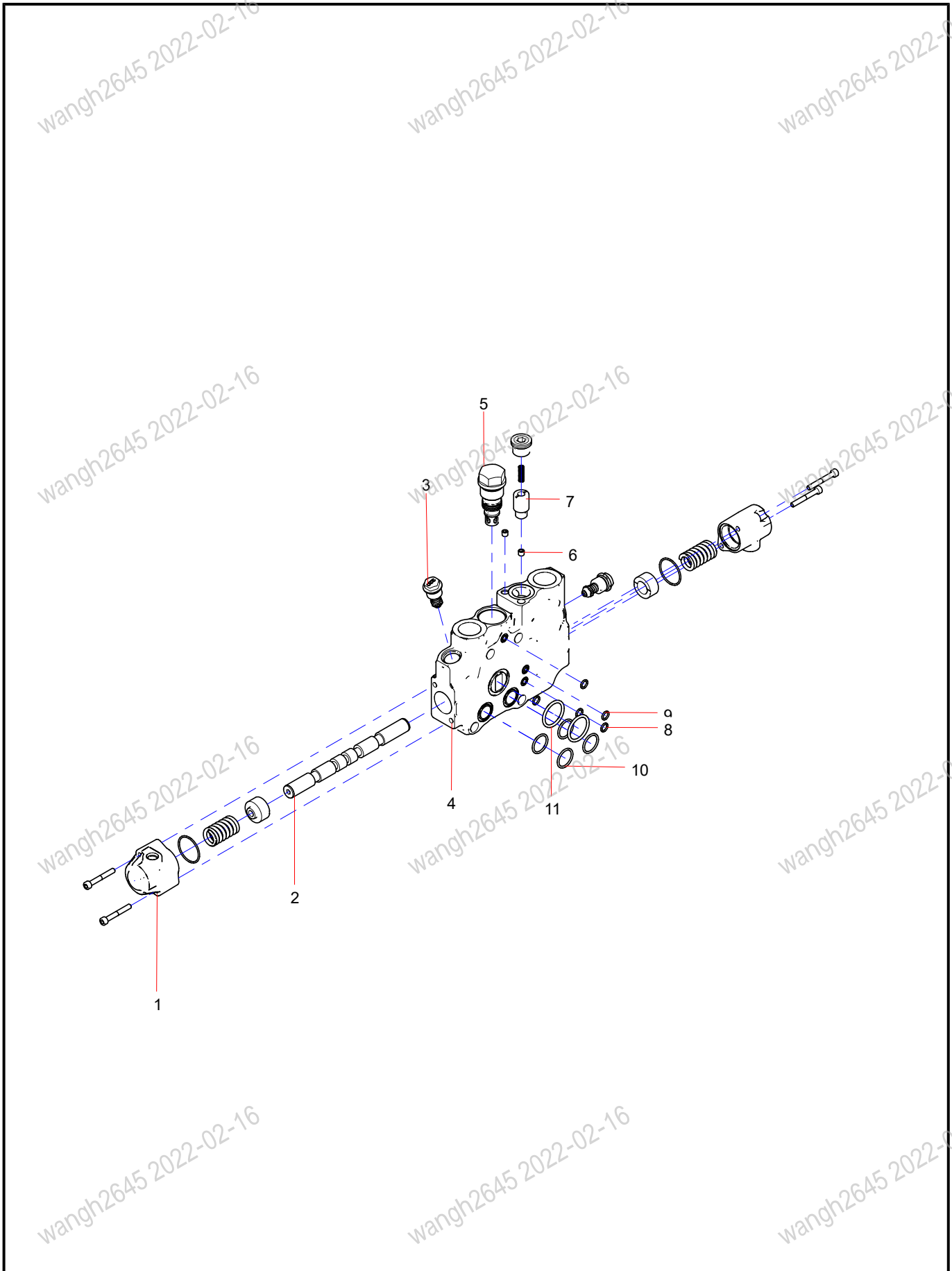
150688000405A Inlet assy



150688000405A Inlet assy

INDEX	PART NO.	DESCRIPTION	QTY	SEE PAGE
1	150688000420A	Spool assy	1	
2	61020171	LS pressure relief valve	1	
3	61020172	Flow Valve	1	
4	60283261	Seal	3	
5	150188000484A	O-ring	2	
6	A210608000054	O-ring	2	
7	B230101000581	O-ring	1	
8	150688000421A	Valve block	1	
9	60338861	Rubber gasket	1	
10	150688000422A	Screw plug	1	
11	150688000324A	Plug	1	
12	150688000423A	Plug assy	1	

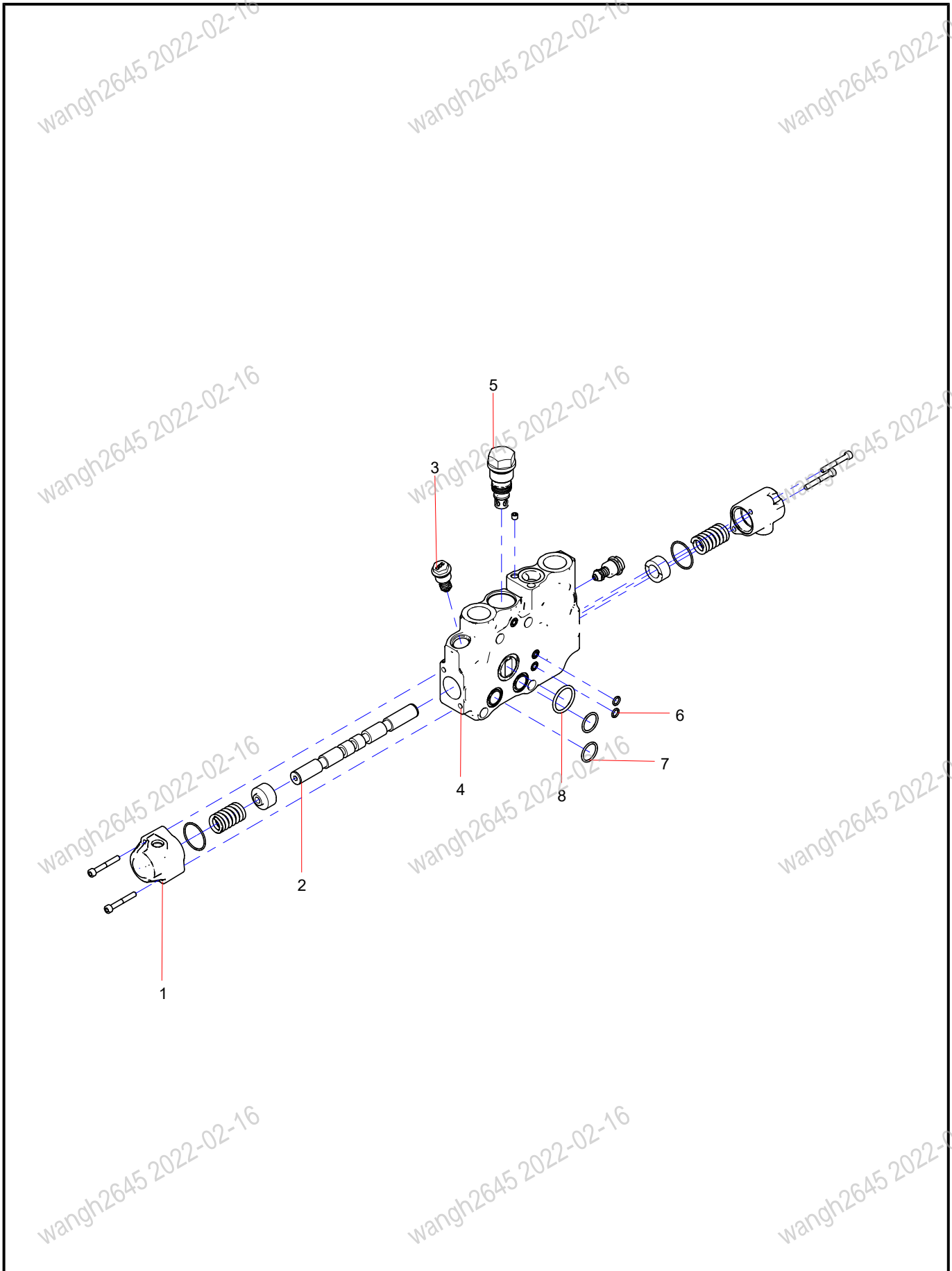
150688000406A Boom section assy



150688000406A Boom section assy

INDEX	PART NO.	DESCRIPTION	QTY	SEE PAGE
1	150688000424A	End cover assy	2	
2	150688000425A	Spool	1	
3	150688000426A	Relief valve	2	
4	150688000427A	Valve block	1	
5	150688000428A	Compensating valve assembly	1	
6	150688000429A	Screw plug	2	
7	150688000430A	Spool	1	
8	150188000484A	O-ring	2	
9	A210608000015	O-ring	1	
10	A210608000054	O-ring	2	
11	B230101000581	O-ring	1	

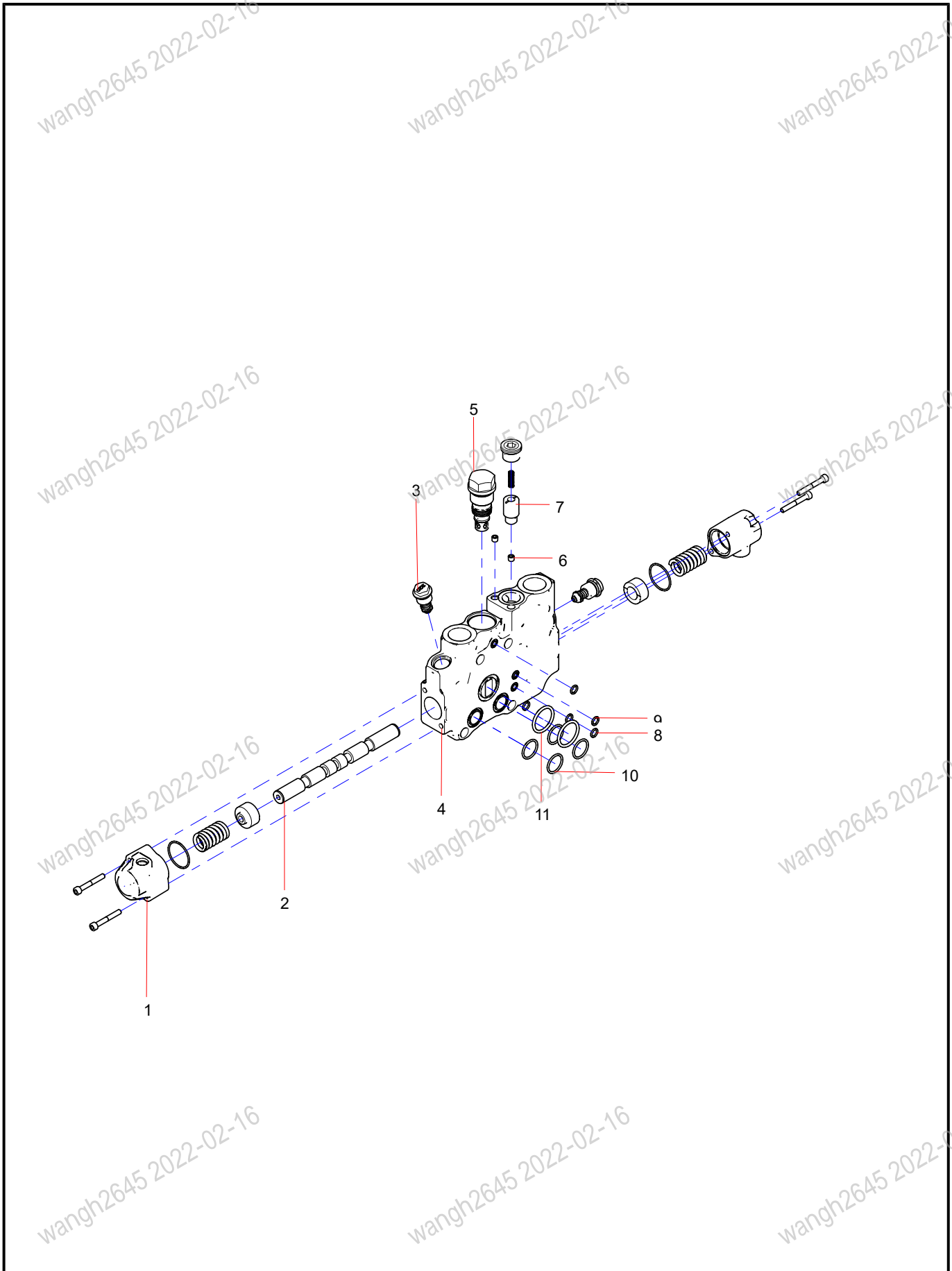
150688000407A Bucket section assy



150688000407A Bucket section assy

INDEX	PART NO.	DESCRIPTION	QTY	SEE PAGE
1	150688000424A	End cover assy	2	
2	150688000431A	Spool	1	
3	150688000426A	Relief valve	2	
4	150688000432A	Valve block	1	
5	150688000433A	Compensating valve assembly	1	
6	150188000484A	O-ring	2	
7	A210608000054	O-ring	2	
8	B230101000581	O-ring	1	

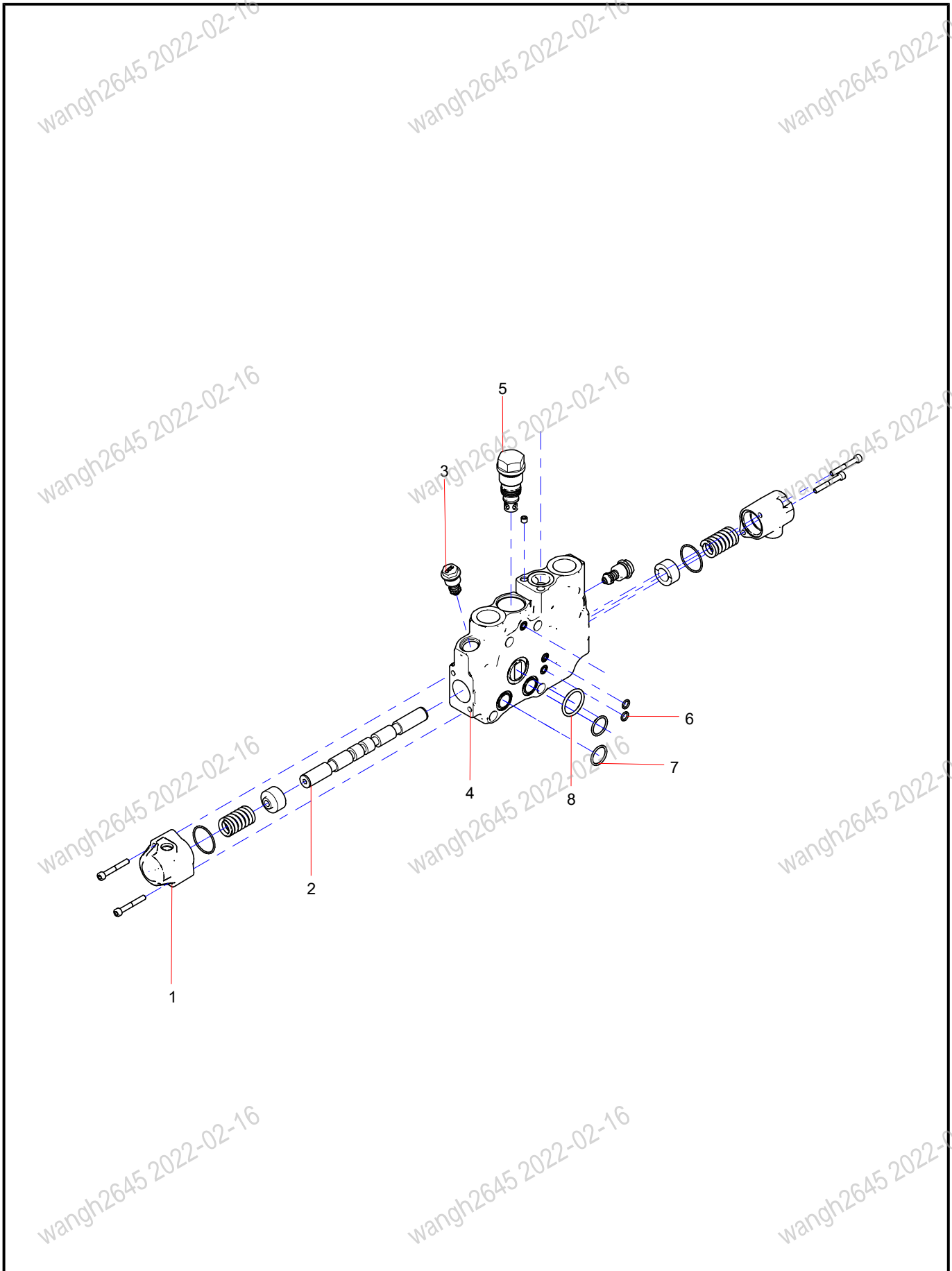
150688000408A Arm section assy



150688000408A Arm section assy

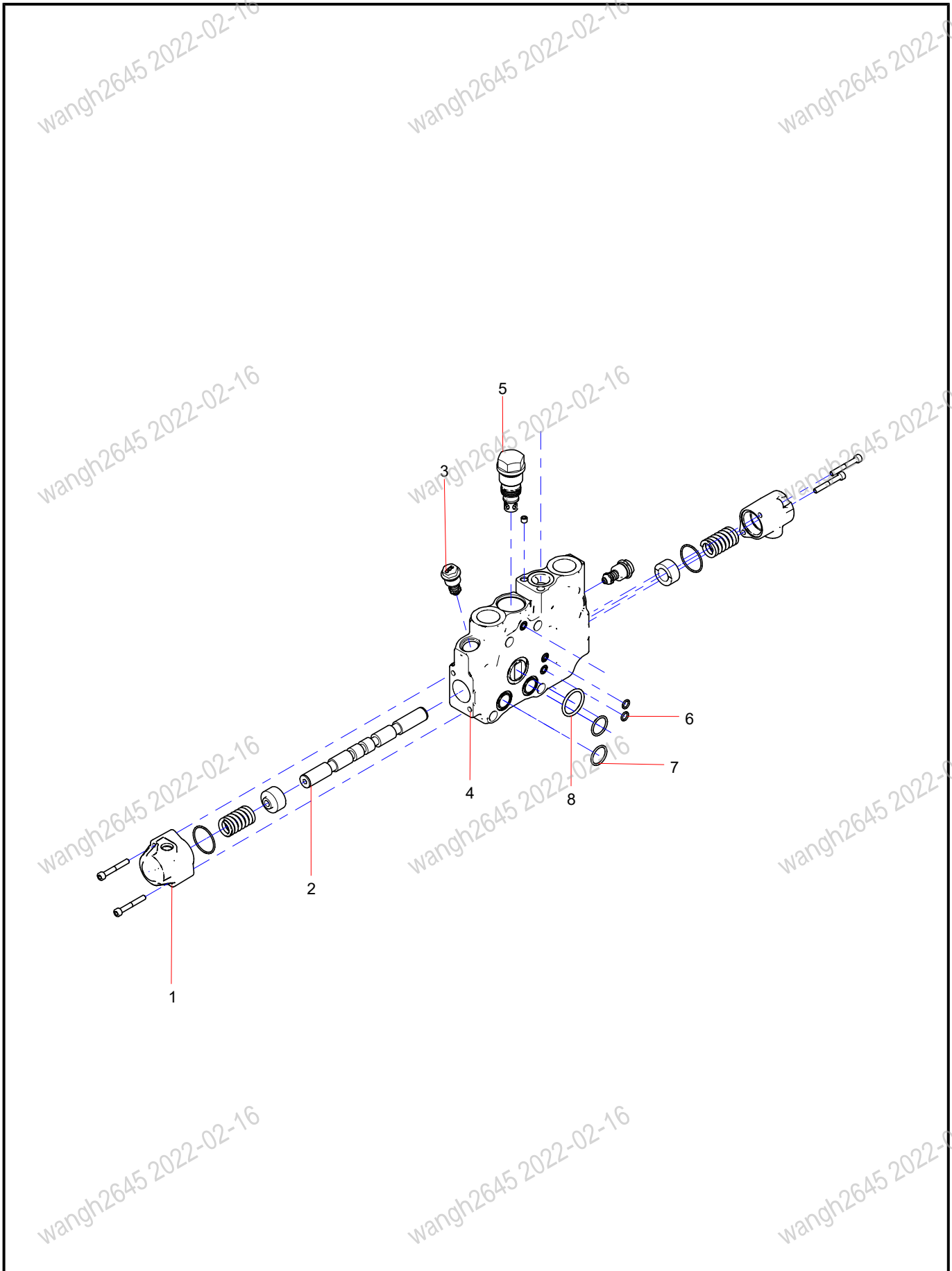
INDEX	PART NO.	DESCRIPTION	QTY	SEE PAGE
1	150688000424A	End cover assy	2	
2	150688000434A	Spool	1	
3	150688000426A	Relief valve	2	
4	150688000427A	Valve block	1	
5	150688000435A	Compensating valve assembly	1	
6	150688000429A	Screw plug	2	
7	150688000430A	Spool	1	
8	150188000484A	O-ring	2	
9	A210608000015	O-ring	1	
10	A210608000054	O-ring	2	
11	B230101000581	O-ring	1	

150688000409A Boom Swing Assy



INDEX	PART NO.	DESCRIPTION	QTY	SEE PAGE
1	150688000424A	End cover assy	2	
2	150688000436A	Spool	1	
3	150688000426A	Relief valve	2	
4	150688000432A	Valve block	1	
5	150688000437A	Compensating valve assembly	1	
6	150188000484A	O-ring	2	
7	A210608000054	O-ring	2	
8	B230101000581	O-ring	1	

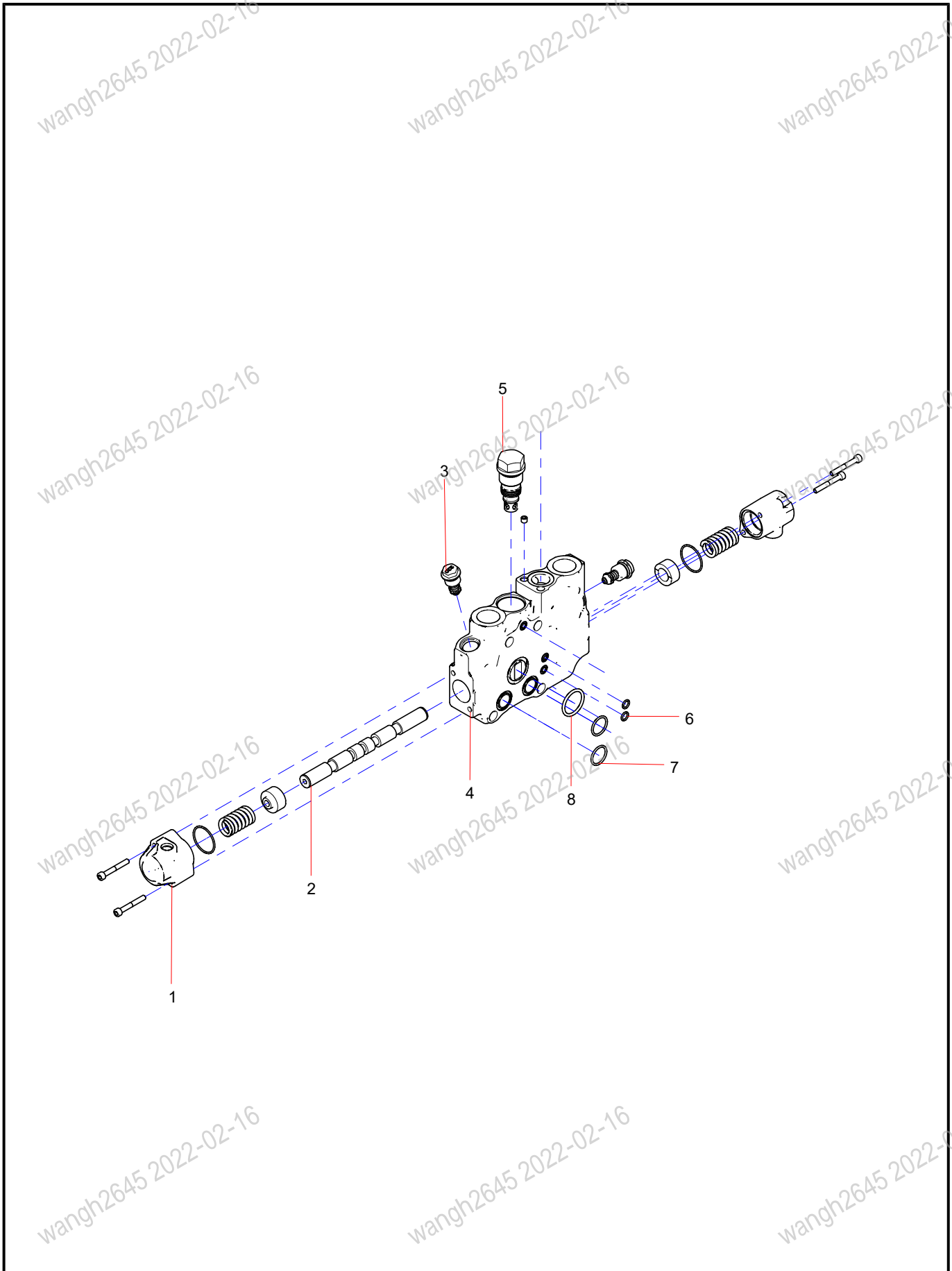
150688000410A Aux section assy



150688000410A Aux section assy

INDEX	PART NO.	DESCRIPTION	QTY	SEE PAGE
1	150688000424A	End cover assy	2	
2	150688000438A	Spool	1	
3	150601080013A001	Overflow valve	2	
4	150688000432A	Valve block	1	
5	150688000437A	Compensating valve assembly	1	
6	150188000484A	O-ring	2	
7	A210608000054	O-ring	2	
8	B230101000581	O-ring	1	

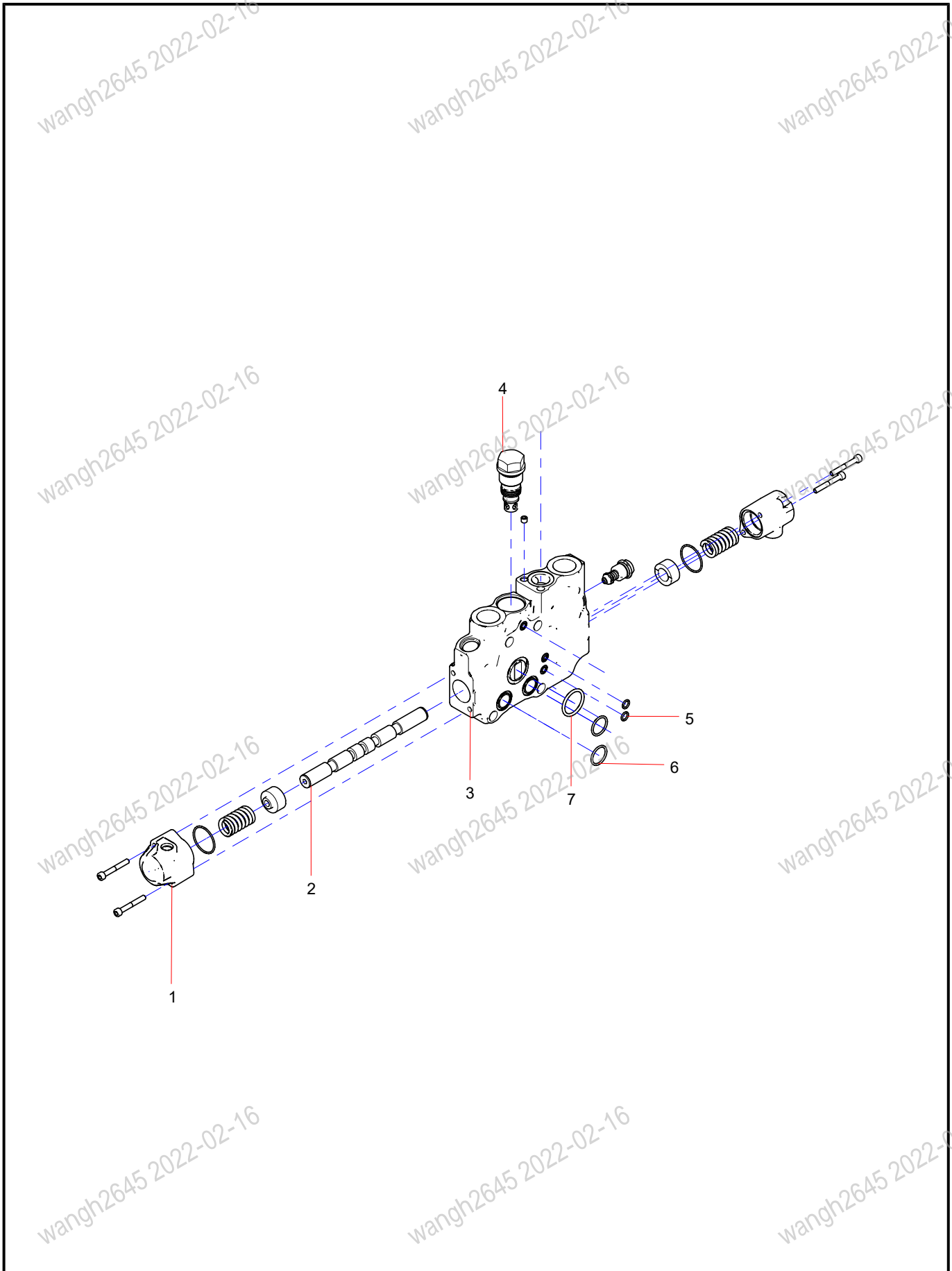
150688000411A Aux section assy



150688000411A Aux section assy

INDEX	PART NO.	DESCRIPTION	QTY	SEE PAGE
1	150688000424A	End cover assy	2	
2	150688000440A	Spool	1	
3	150601080013A001	Overflow valve	2	
4	150688000432A	Valve block	1	
5	150688000437A	Compensating valve assembly	1	
6	150188000484A	O-ring	2	
7	A210608000054	O-ring	2	
8	B230101000581	O-ring	1	

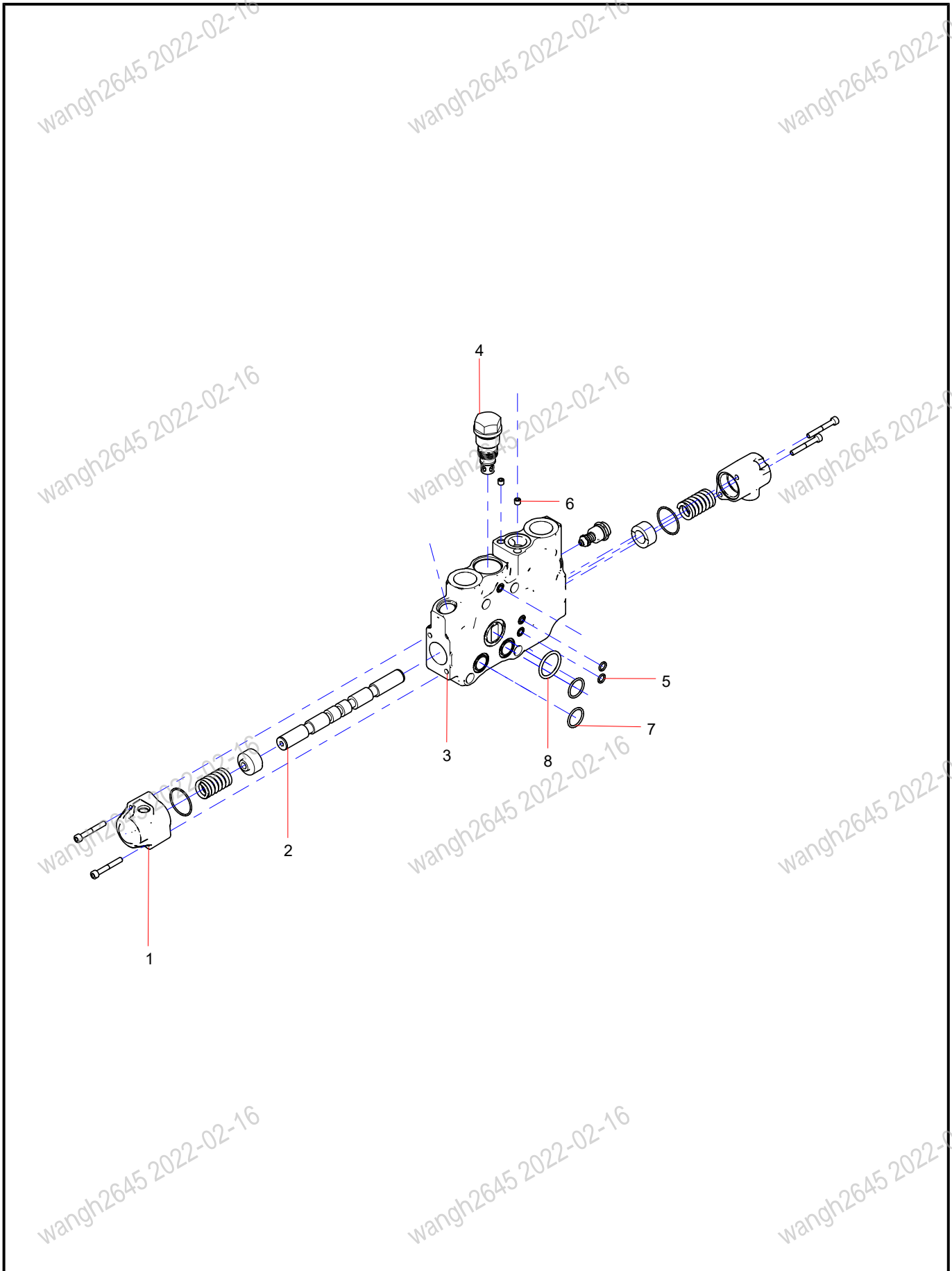
150688000412A Travel section assy



150688000412A Travel section assy

INDEX	PART NO.	DESCRIPTION	QTY	SEE PAGE
1	150688000424A	End cover assy	2	
2	150688000441A	Spool	1	
3	150688000442A	Valve block	1	
4	150688000428A	Compensating valve assembly	1	
5	150188000484A	O-ring	2	
6	A210608000054	O-ring	2	
7	B230101000581	O-ring	1	

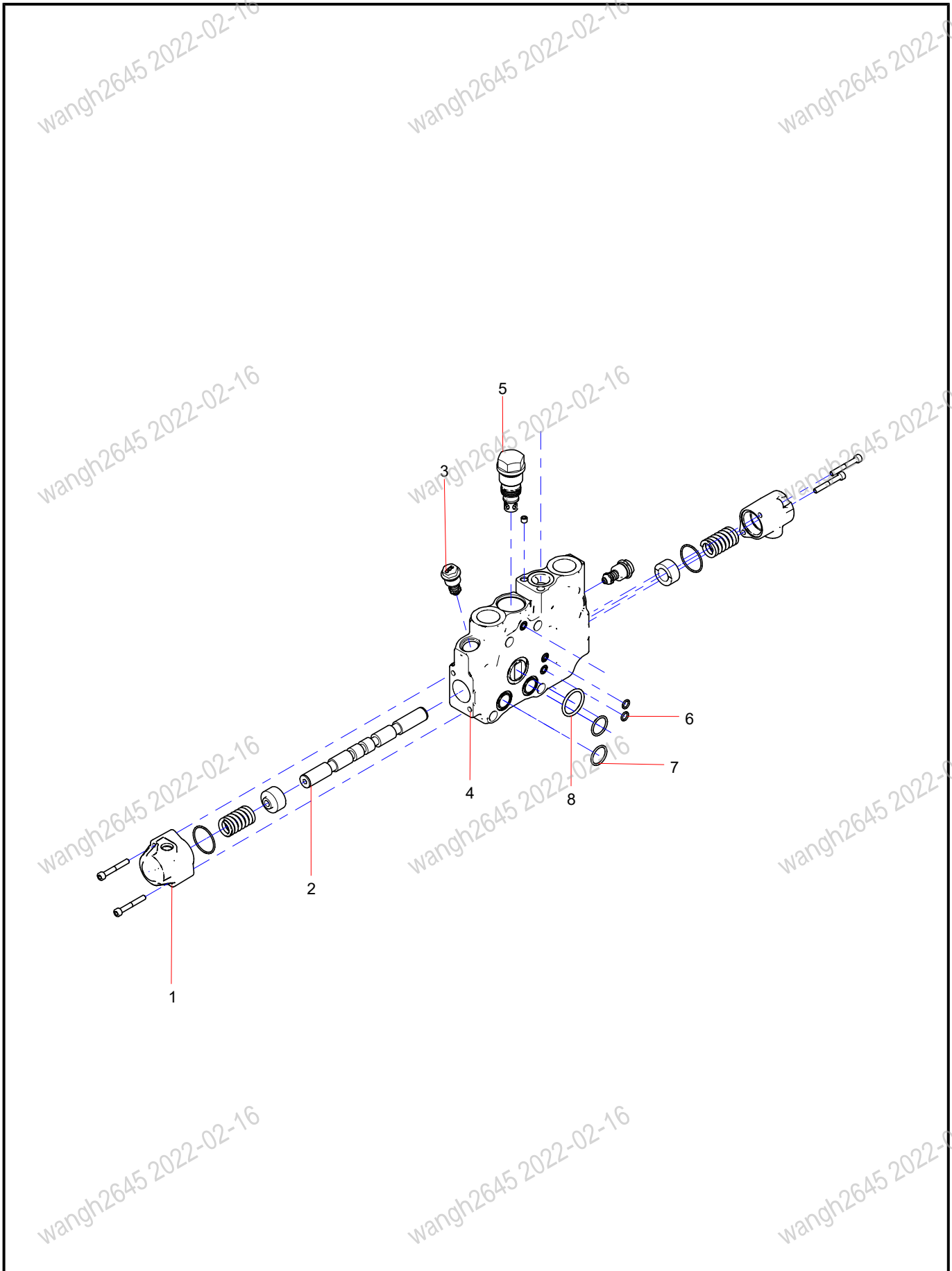
150688000413A Travel section assy



150688000413A Travel section assy

INDEX	PART NO.	DESCRIPTION	QTY	SEE PAGE
1	150688000424A	End cover assy	2	
2	150688000441A	Spool	1	
3	150688000443A	Valve block	1	
4	150688000428A	Compensating valve assembly	1	
5	150188000484A	O-ring	2	
6	61020204	Throttle block	1	
7	A210608000054	O-ring	2	
8	B230101000581	O-ring	1	

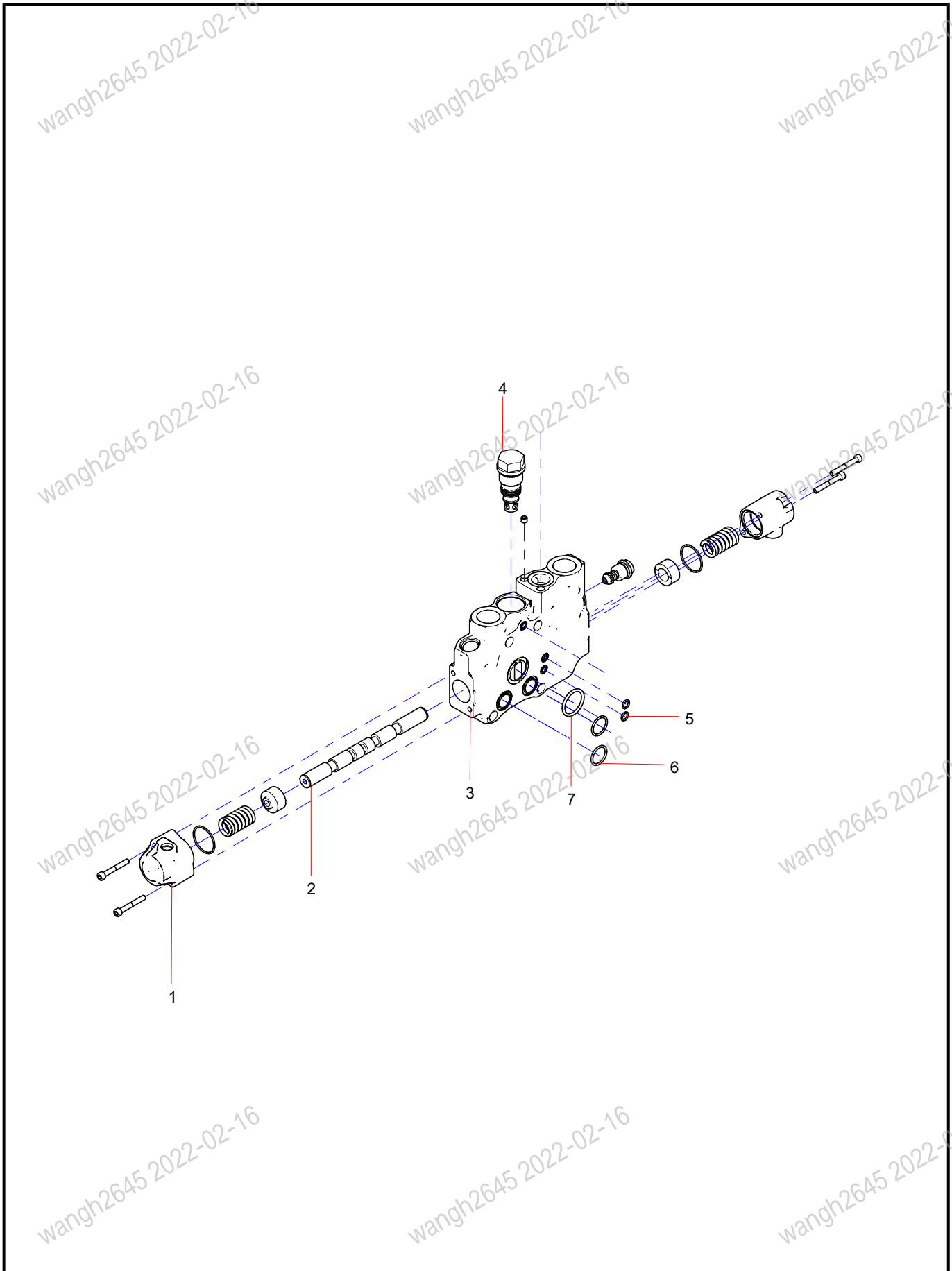
150688000414A Dozer section assy



150688000414A Dozer section assy

INDEX	PART NO.	DESCRIPTION	QTY	SEE PAGE
1	150688000424A	End cover assy	2	
2	150688000444A	Spool	1	
3	150688000426A	Relief valve	2	
4	150688000432A	Valve block	1	
5	150688000437A	Compensating valve assembly	1	
6	150188000484A	O-ring	2	
7	A210608000054	O-ring	2	
8	B230101000581	O-ring	1	

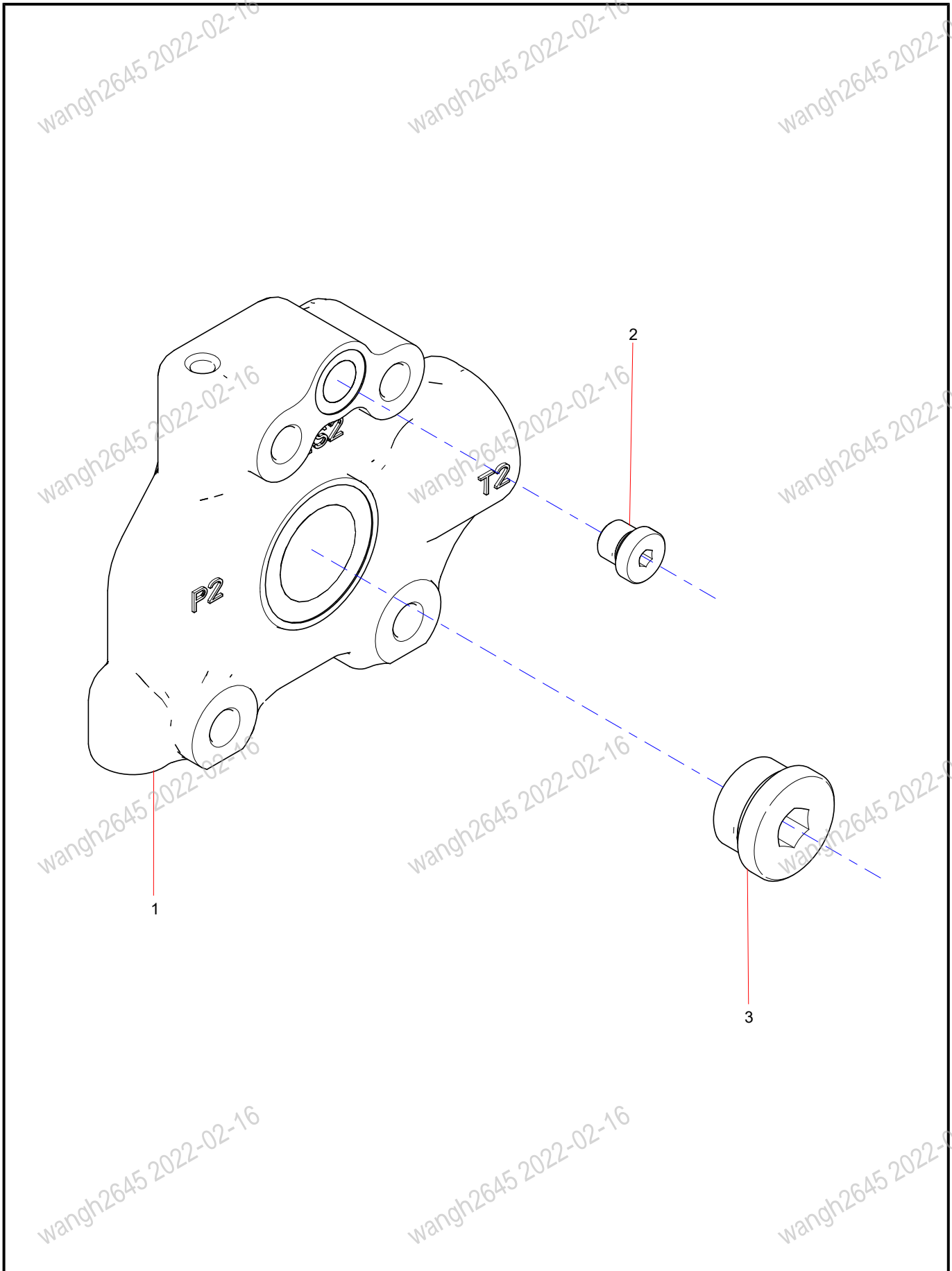
150688000415A Slewing section assy



150688000415A Slewing section assy

INDEX	PART NO.	DESCRIPTION	QTY	SEE PAGE
1	150688000424A	End cover assy	2	
2	150688000445A	Valve block	1	
3	150688000446A	Valve block	1	
4	150688000447A	Compensating valve assembly	1	
5	150188000484A	O-ring	2	
6	A210608000054	O-ring	2	
7	B230101000581	O-ring	1	

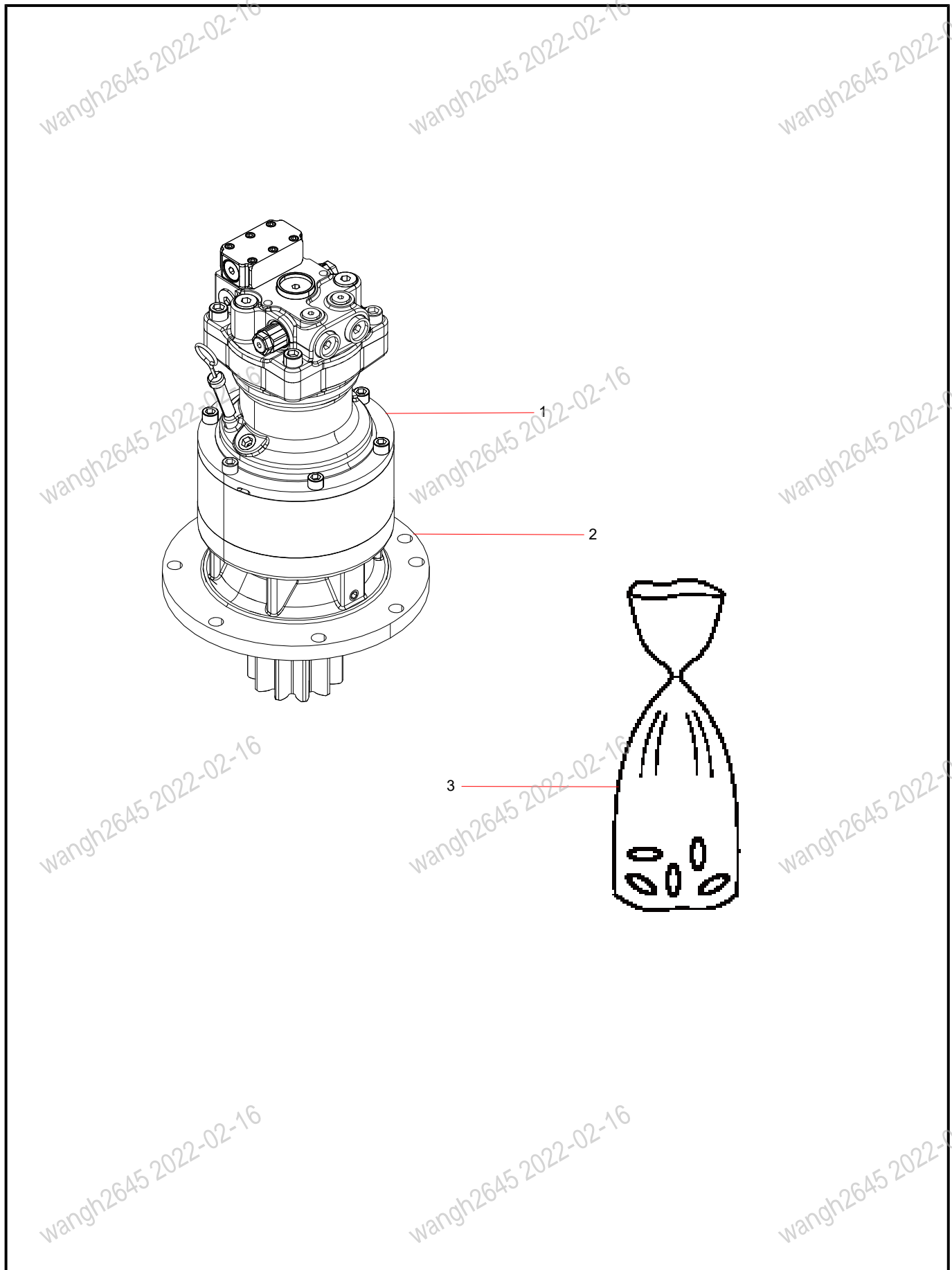
150688000416A Out section assy



150688000416A Out section assy

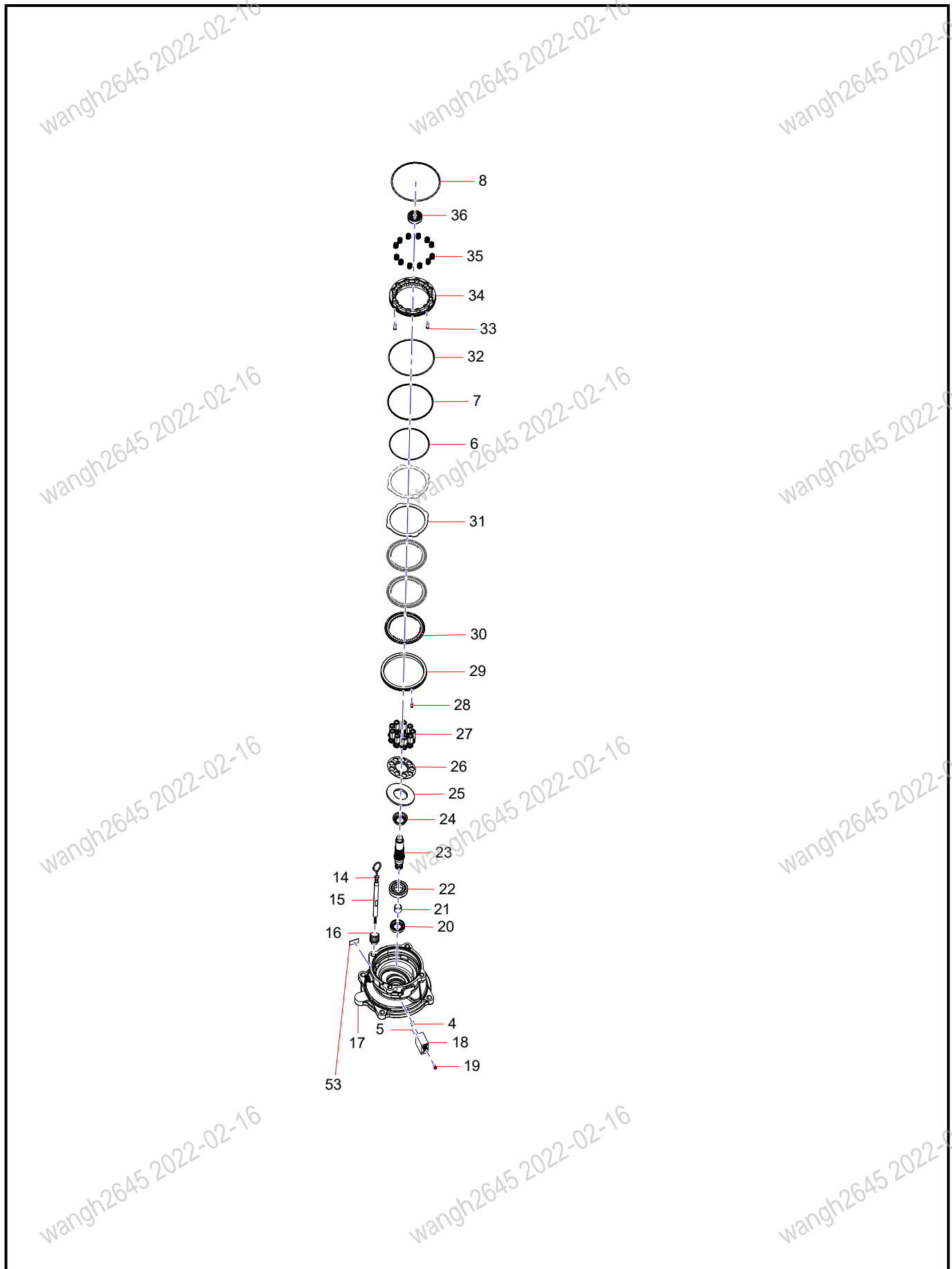
INDEX	PART NO.	DESCRIPTION	QTY	SEE PAGE
1	150688000448A	Valve block	1	
2	150688000422A	Screw plug	1	
3	150688000449A	Screw plug	1	

60241302 Reducer Assembly

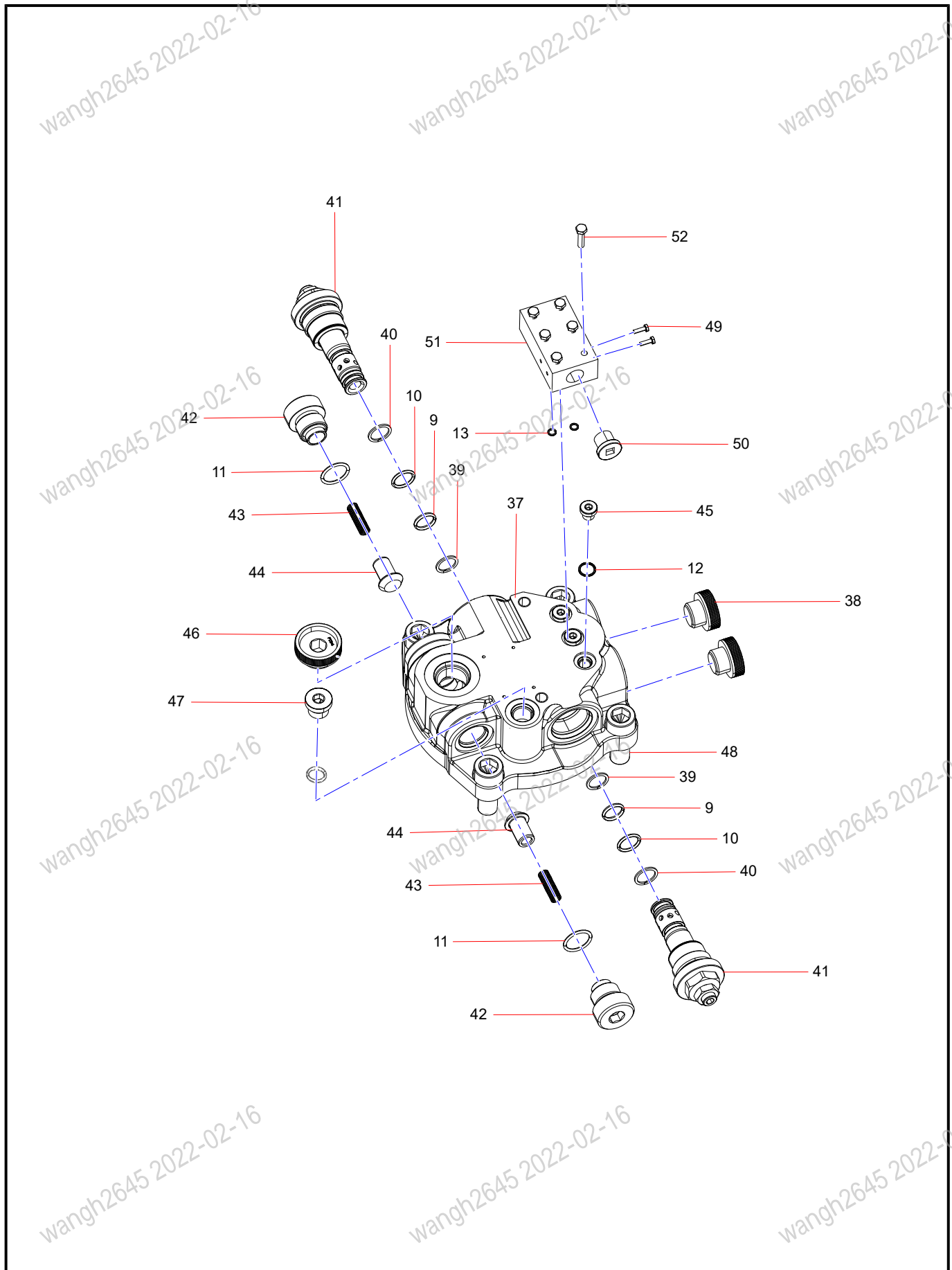


INDEX	PART NO.	DESCRIPTION	QTY	SEE PAGE
1	60255074	Swing Drive	1	8-126
2	60255075	Swing Reducer	1	8-130
3	60266027	Reducer assembly Repair kit	1	

60255074 Swing Drive (1/2)

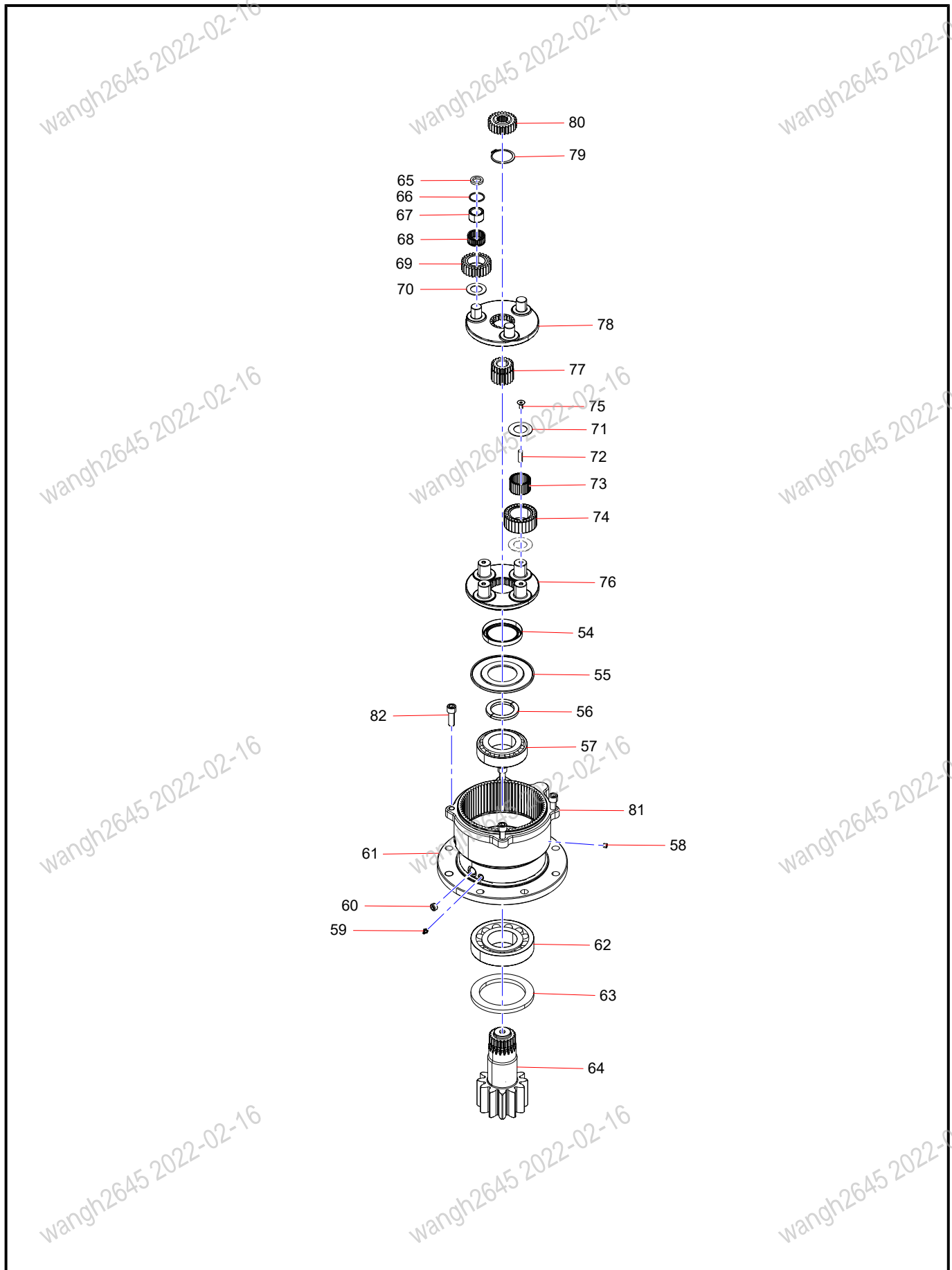


INDEX	PART NO.	DESCRIPTION	QTY	SEE PAGE
4	60256372	O-RING	2	
5	60256373	O-RING	1	
6	60256353	O-RING	1	
7	60256359	O-RING	1	
8	60256361	O-RING	1	
14	60256404	LEVEL BAR	1	
15	60256403	GAGE PIPE	1	
16	60256371	PLUG	1	
17	60256348	BODY	1	
18	60256355	TIME DELAY VALVE	1	
19	60256369	WRENCH BOLT	3	
20	60256370	OIL-SEAL	1	
21	60111976	BUSHING	1	
22	60256350	ROLLER BEARING	1	
23	60111975	SHAFT	1	
24	60111972	BALL GUIDE	1	
25	60111973	SHOE PLATE	1	
26	60111961	SET PLATE	1	
27	60111970	PISTON SHOE ASSY	9	
28	60038238	spring	9	
29	60111968	CYLINDER BLOCK	1	
30	60111963	FRICTION PLATE	3	
31	60111962	PLATE	2	
32	60111964	VALVE PLATE	1	
33	60256352	PIN	2	
34	60111974	PARKING PISTON	1	
35	60111967	SPRING TUBE	16	
36	60114287	TAPER BEARING	1	
53	60256365	NAME PLATE	1	



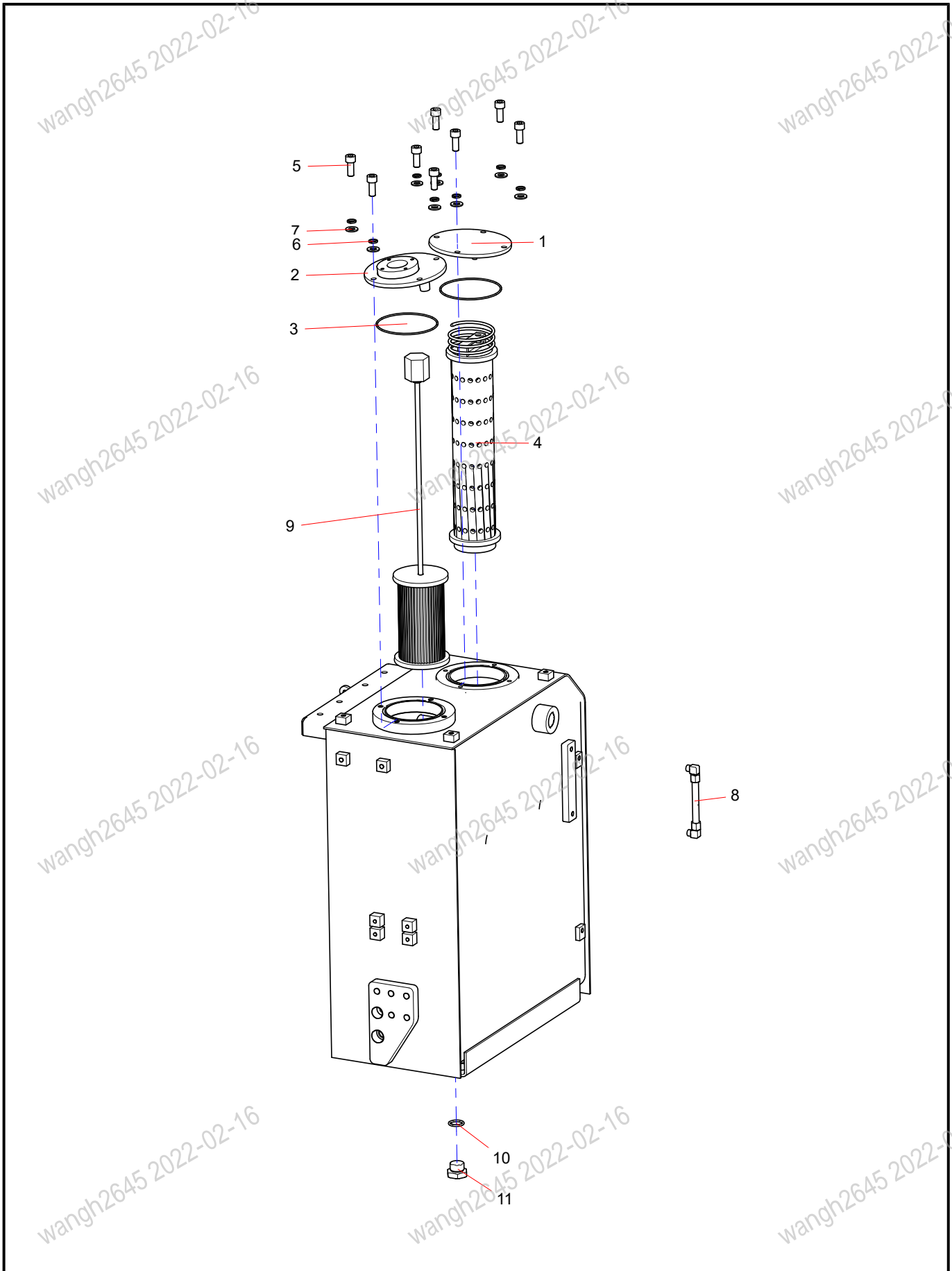
INDEX	PART NO.	DESCRIPTION	QTY	SEE PAGE
9	60256363	O-RING	2	
10	60256358	O-RING	2	
11	60256349	O-RING	2	
12	60256362	O-RING	4	
13	60256356	O-RING	2	
37	60256351	REAR COVER	1	
38	60256360	PLUG (PLASTIC)	2	
39	60256364	BACK UP RING	2	
40	60256357	BACK UP RING	2	
41	60256354	Relief v/v ass'y	2	
42	60038505	Plug	2	
43	60038227	Spring	2	
44	60038063	Valve	2	
45	60038511	Plug	2	
46	60256368	PLUG (PLASTIC)	1	
47	60038512	Plug	2	
48	60111971	SOCKET BOLT	4	
49	60038531	RIVET	2	
50	60256367	ANTI-ROTATING VALVE ASS'Y	2	
51	60256366	BODY	1	
52	60082164	Wrench Bolt	6	

60255075 Swing Reducer



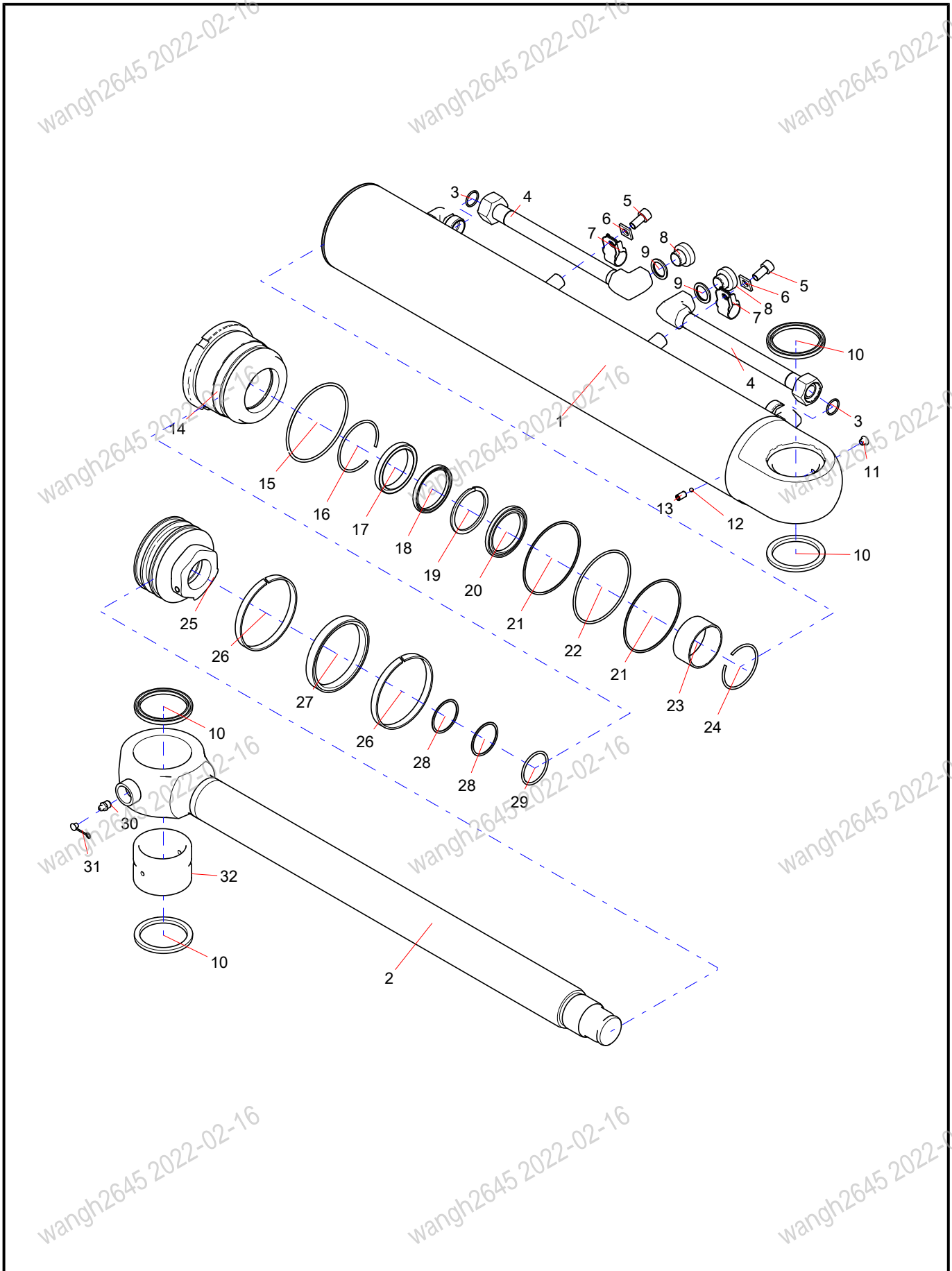
INDEX	PART NO.	DESCRIPTION	QTY	SEE PAGE
54	60256393	OIL SEAL	1	
55	60256397	DUST SEAL	1	
56	60256395	LOCK COLLAR	2	
57	60256394	T/ROLLER BEARING	1	
58	60256384	KNOCK PIN	2	
59	60256402	PLUG	1	
60	60256398	PLUG	2	
61	60256375	Case	1	
62	60256392	T/ROLLER BEARING	1	
63	60256396	SPACER	1	
64	60256374	Pinion Shaft	1	
65	60256391	SNAP RING	3	
66	60256390	THRUST WASHER 1	3	
67	60256387	COLLAR 1	3	
68	60256389	NEEDLE BEARING	3	
69	60256388	PLANET GEAR 1	3	
70	60256401	THRUST WASHER 3	3	
71	60256382	THRUST WASHER 2	6	
72	60256378	PIN 2	3	
73	60256379	NEEDLE BEARING	3	
74	60256380	PLANET GEAR 2	3	
75	60256381	SPRING PIN	3	
76	60256377	CARRIER 2	1	
77	60256383	SUN GEAR 2	1	
78	60256385	CARRIER 1	1	
79	60256399	SIDE PLATE	1	
80	60256386	SUN GEAR 1	1	
81	60256376	Ring Gear	1	
82	60256400	BOLT	6	

14287718 Hydraulic Fuel Tank Assy



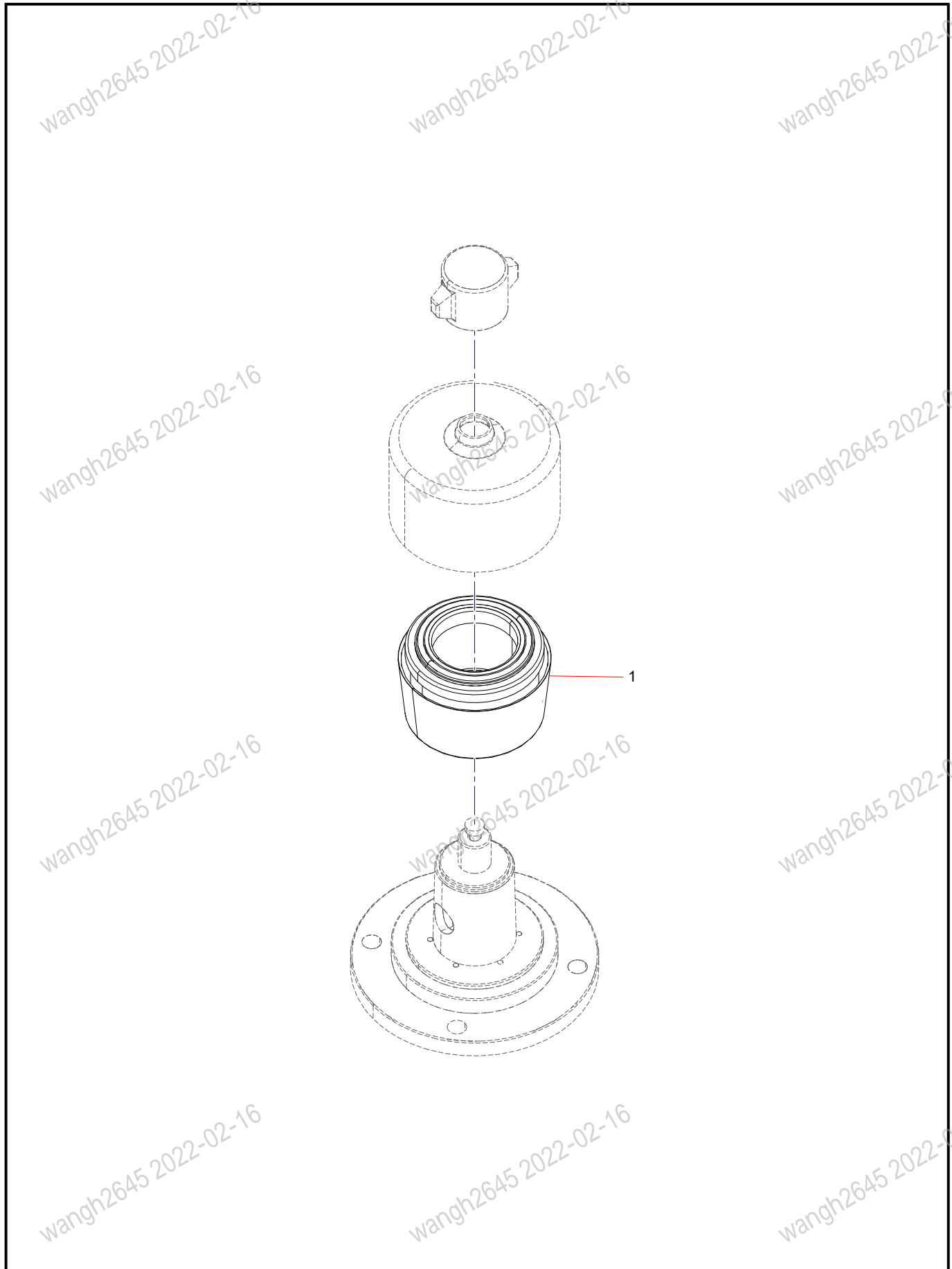
INDEX	PART NO.	DESCRIPTION	QTY	SEE PAGE
1	A810201011303	Oil Return Cover	1	
2	12074275	Suction Cover	1	
3	B230101000614	O-ring	2	
4	60072195	Oil Return Filter	1	
5	23000066	Screw	8	
6	24000512	Washer	8	
7	24000637	Washer	8	
8	A250100000174	Liquid Level Thermometer	1	
9	60072196	Oil Suction Filter	1	
10	B230101000356	O-ring	1	
11	10514225	Plug	1	

14272136 Bulldozing shovel oil cylinder



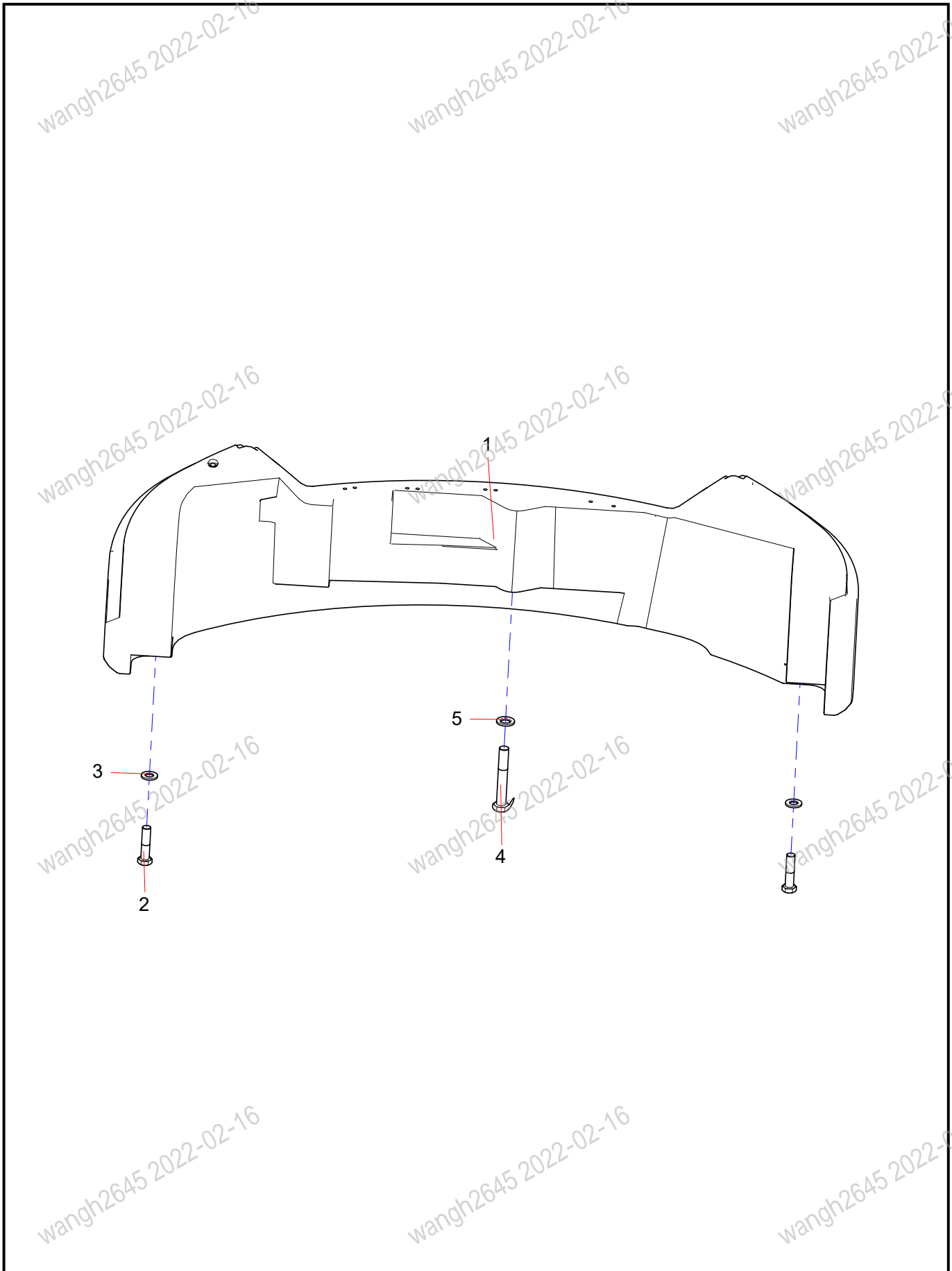
INDEX	PART NO.	DESCRIPTION	QTY	SEE PAGE
1	14272141	Cylinder Assem.	1	
2	14272139	Piston Rod	1	
3	60000846	O-ring	2	
4	14272145	Oil Pipe Component	2	
5	A210204000196	Screw	2	
6	13039393	Washer	2	
7	11647963	Pipe Clamp	2	
8	13203130	Screw Plug G1/2	2	
9	A210434000011	Washer	2	
10	60215140	dust ring	4	
11	11261296	Guide Sleeve	1	
12	A210661000016	Steel Ball	1	
13	A210206000004	Screw	1	
14	SYG005426766	Guide Sleeve	1	
15	A210609000007	O-ring	1	
16	A210417000075	Retainer Ring	1	
17	60136780	Dust ring	1	
18	60072117	Seal Ring	1	
19	61023522	GBRT2 Retainer Ring	1	
20	60084608	HBV Seal Ring	1	
21	13254935	Retaining Ring	2	
22	A210609000003	O-ring	1	
23	120504000014A	Self-Lubricating Bearing	1	
24	A210417000005	Retainer Ring	1	
25	12971412	Piston	1	
26	60170236	UP Guide Ring	2	
27	60250372	seal ring	1	
28	13254956	Retaining Ring	2	
29	A210608000074	O-ring	1	
30	A210804000002	Oil Cup	1	
31	A290000002660	Nozzle Universal Protective Cap	1	
32	SYG004685490	shaft sleeve	1	

60237031 Hydraulic Tank Breather Filter



INDEX	PART NO.	DESCRIPTION	QTY	SEE PAGE
1	60186788	Filter, Hydraulic Tank Breather	1	

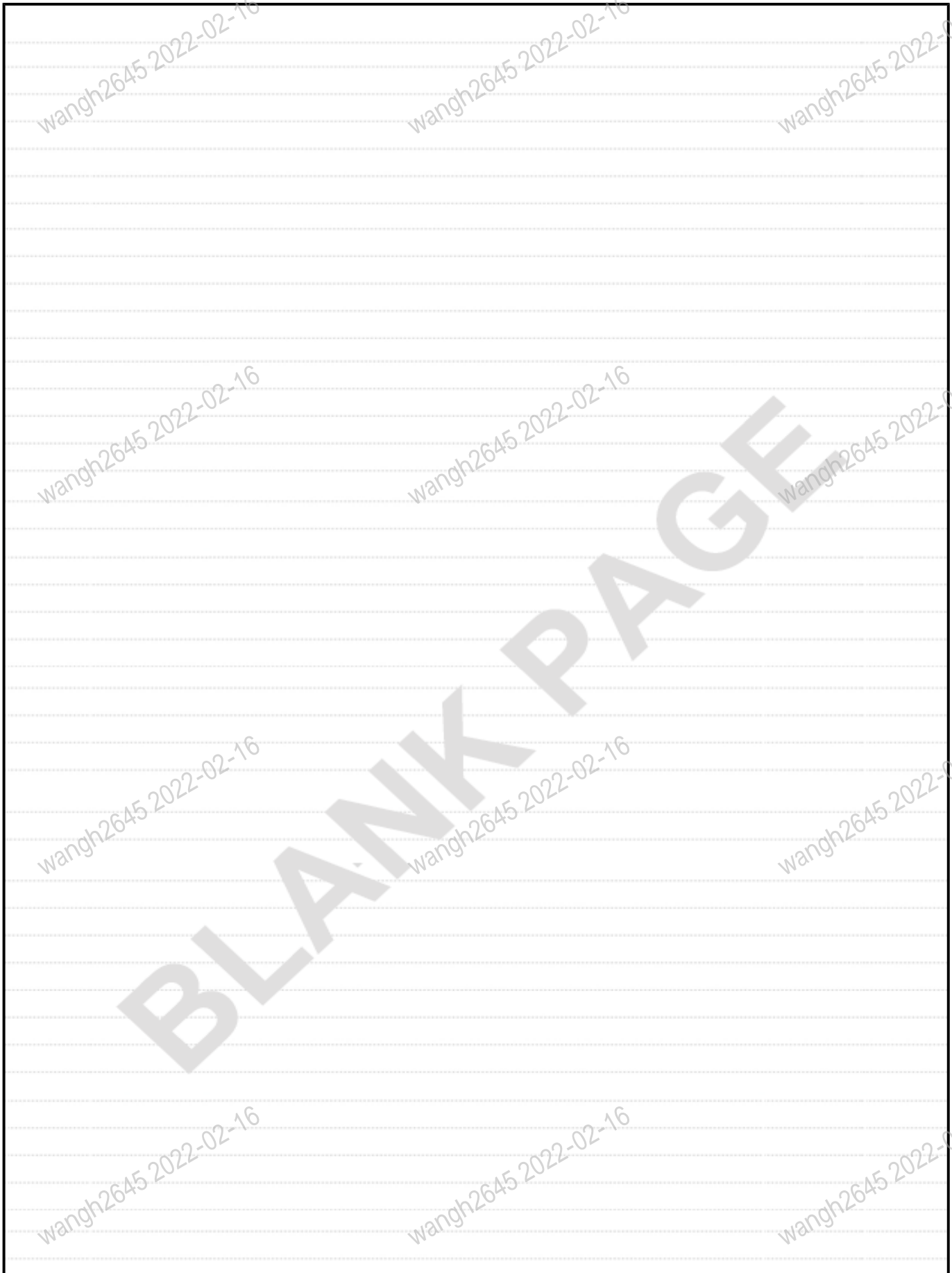
Counterweight



Counterweight

INDEX	PART NO.	DESCRIPTION	QTY	SEE PAGE
1	14406566	Counterweight	1	
2	A210110000239	Bolt	2	
3	A210491000122	Washer	2	
4	A210110000456	Bolt	1	
5	A210444000004	Washer	1	

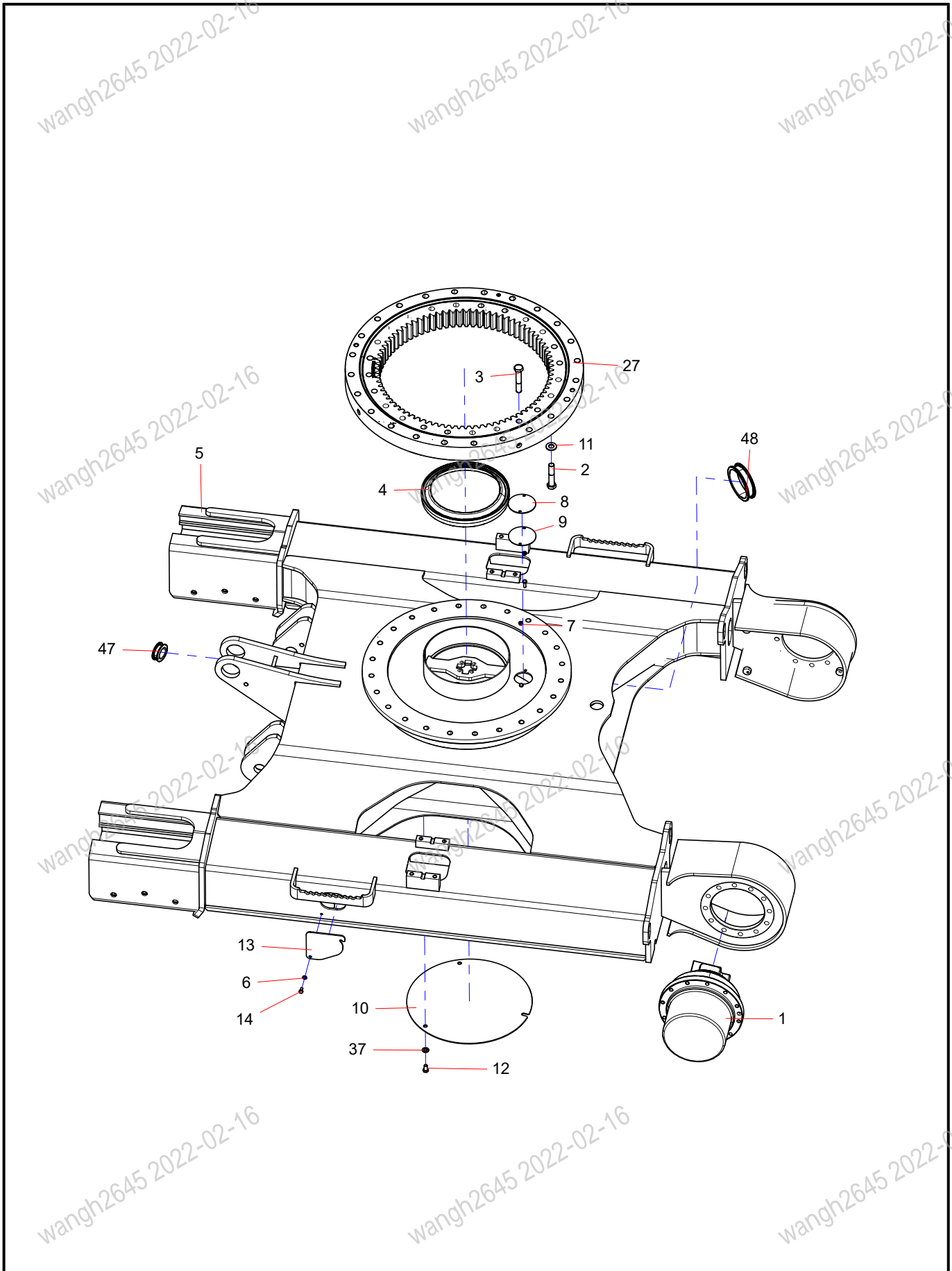
Counterweight



Group 9

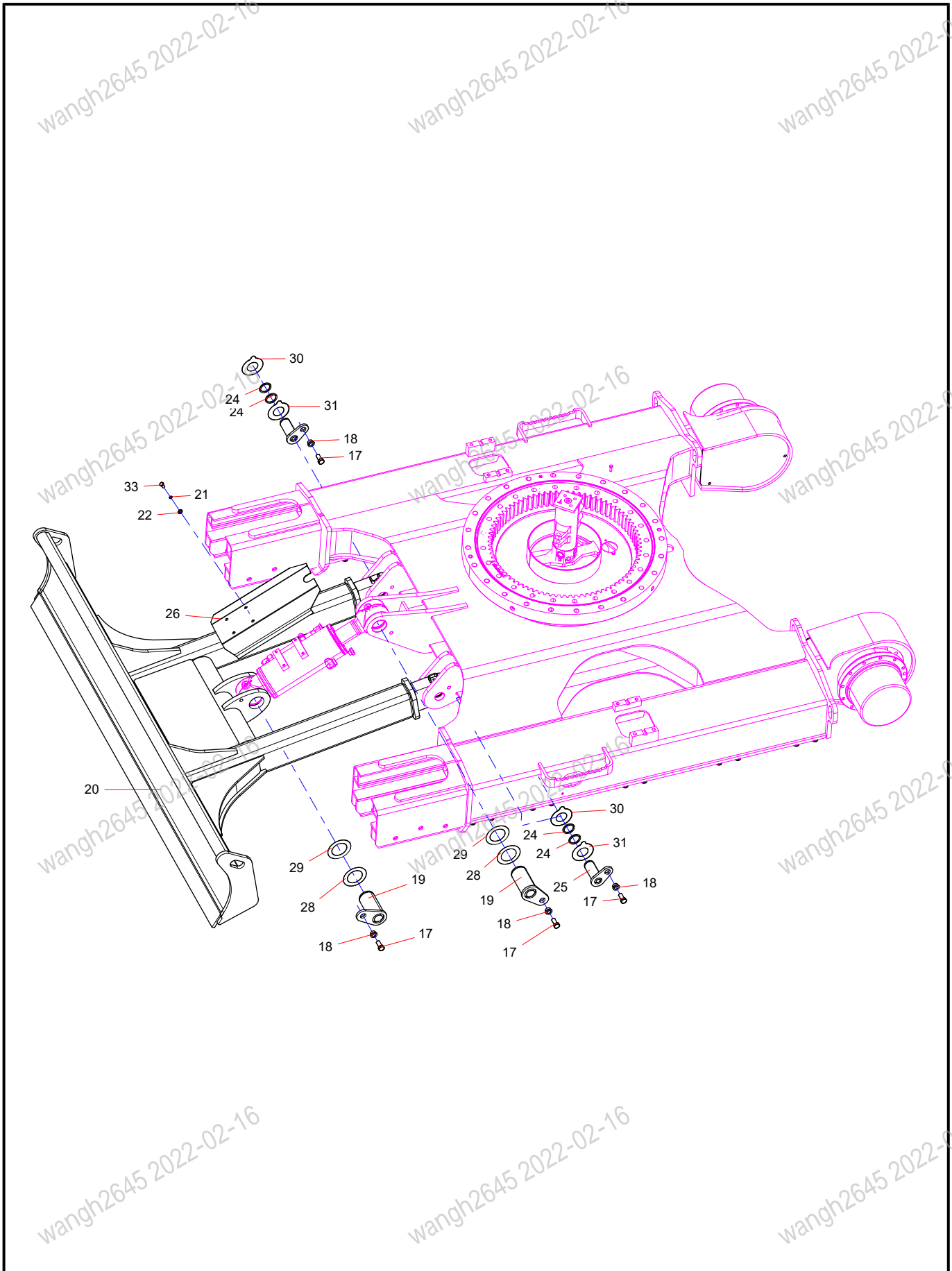
Traveling system

Traveling system (1/3)



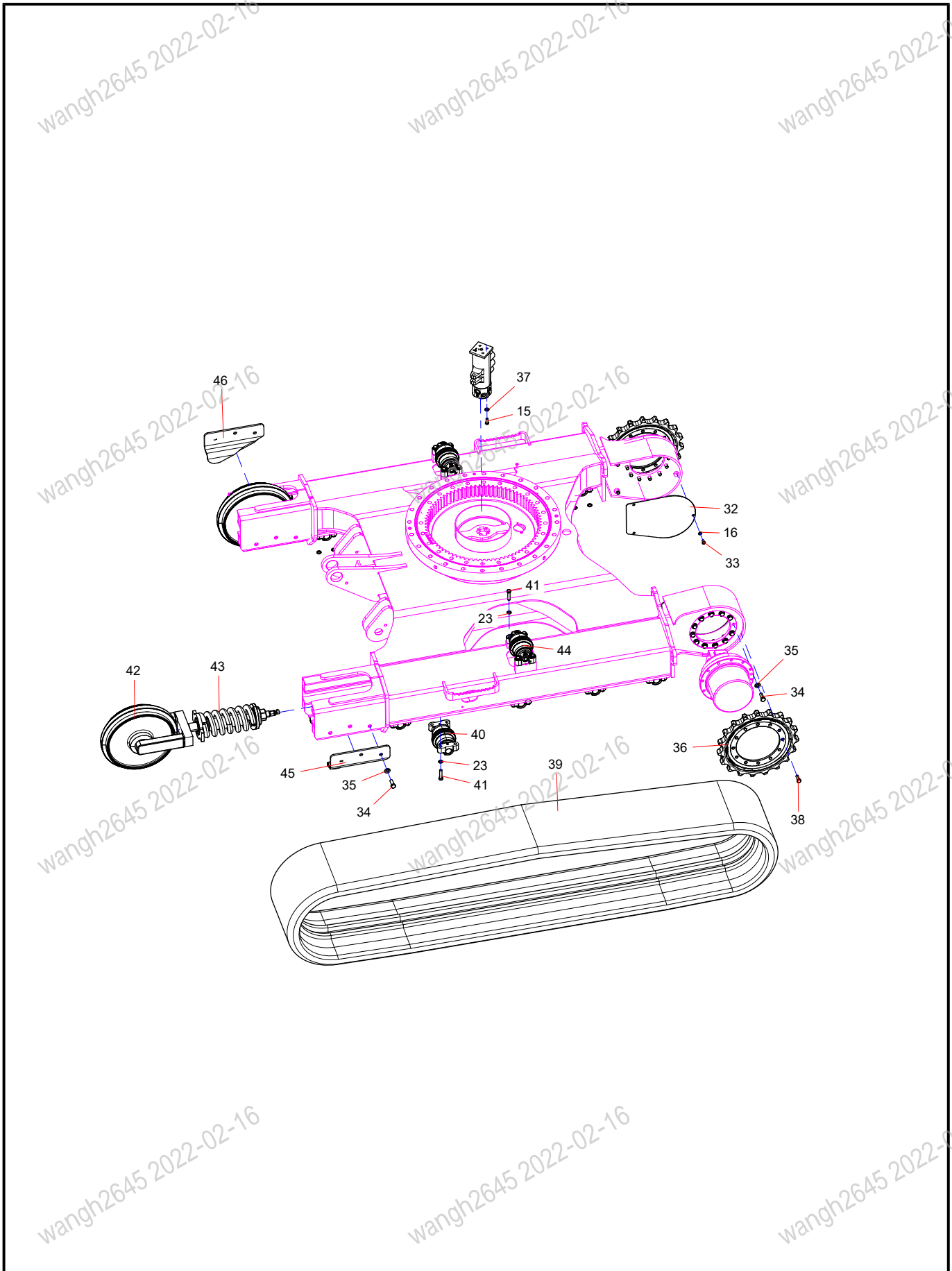
INDEX	PART NO.	DESCRIPTION	QTY	SEE PAGE
1		Travel device hydraulic system	1	
2	A210110000205	Bolt	24	
3	A210110000233	Bolt	24	
4	12087542	Butter Pool Seal Ring	1	
5	14270835	Travel device	1	
6	24000633	Washer	4	
7	A210307000055	Nut	2	
8	A820101343428	Cover Plate	1	
9	A820101343429	Shim	1	
10	10600405	Cover Plate	1	
11	A210491000132	Washer	24	
12	A210111000199	Bolt	3	
13	10542624	Cover	2	
14	A210111000342	Bolt	4	
27	HZZ004698661	slewing ring	1	9-10
37	A210491000121	Washer	7	
47	A820606030917	Protective Sleeve	2	
48	A820606030920	Protective Sleeve	2	

Traveling system (2/3)



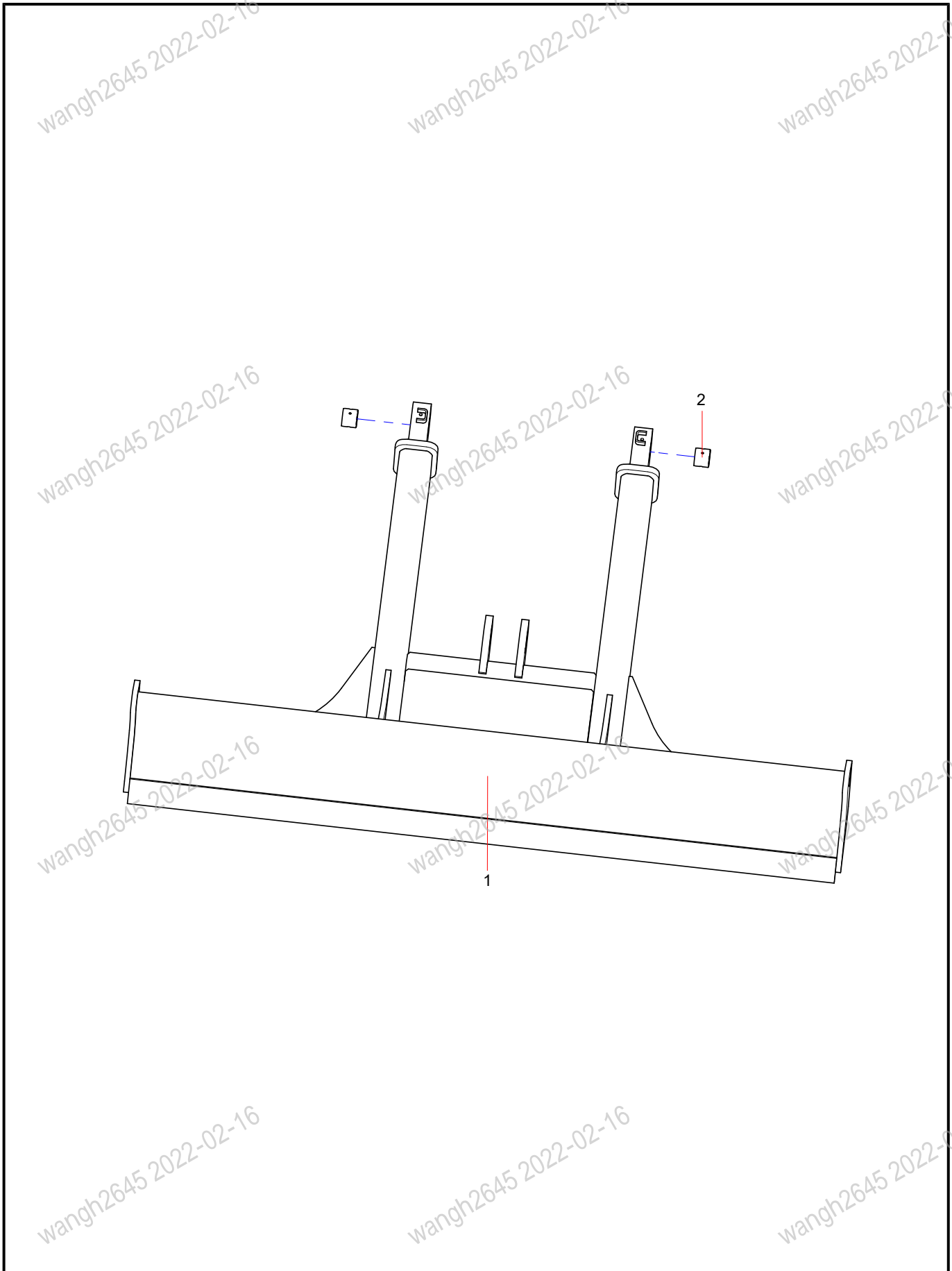
INDEX	PART NO.	DESCRIPTION	QTY	SEE PAGE
17	A210111000212	Bolt	4	
18	A820202004034	Bush	4	
19	A810312110119	Roll, Pin	2	
20	SSY004726777	Dozer Blade Assembly	1	9-8
21	24000512	Washer	4	
22	24000637	Washer	4	
24	A230101000323	Seal Ring	4	
25	A810312110118	Roll, Pin	2	
26	12061490	Oil cylinder guard board	1	
28	10167594	Shim	2	
29	10167595	Gasket	2	
30	10574180	Spacer	2	
31	10574179	Spacer	2	
33	A210111000012	Bolt	12	

Traveling system (3/3)



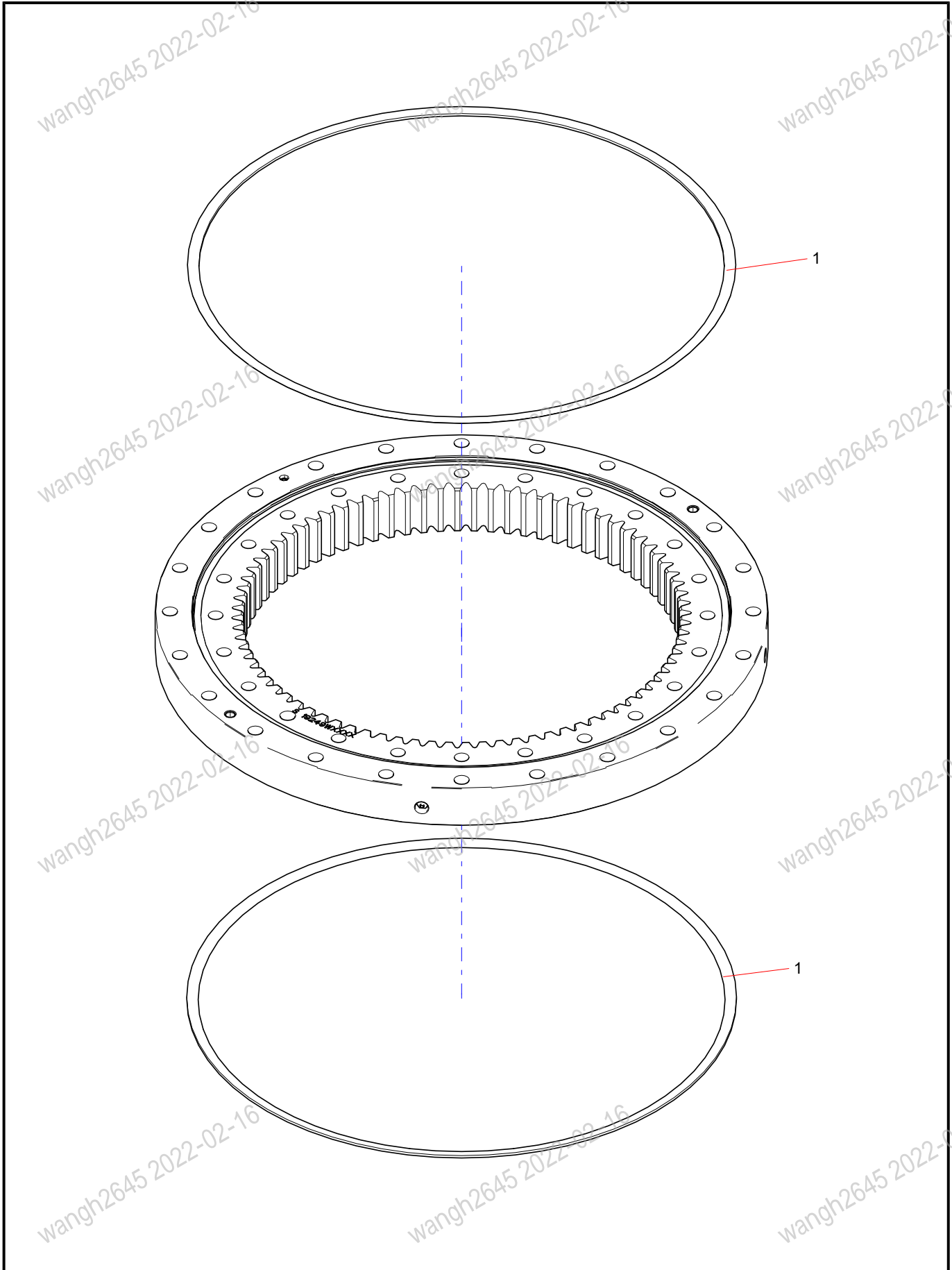
INDEX	PART NO.	DESCRIPTION	QTY	SEE PAGE
15	A210111000202	Bolt	4	
16	A210405000011	Washer	8	
23	A210444000001	Washer	48	
32	14290031	Cover Plate	2	
33	A210111000012	Bolt	12	
34	A210111000106	Bolt	36	
35	A210491000118	Washer	36	
36	61029598	Driving wheel	2	
37	A210491000121	Washer	7	
38	A210111000208	Bolt	24	
39	61029601	Rubble Track	2	
40	11260095	Track Roller	10	
41	21005237	Bolt	48	
42	A229900005517	Leading Wheel Sy70-154Y-00	2	
43	61029600	Tensioning Equipment	2	9-12
44	11899729	Carry Roller	2	
45	SSY005084347	Bent plate	2	
46	SSY005084320	Bent plate	2	

SSY004726777 Dozer Blade Assembly



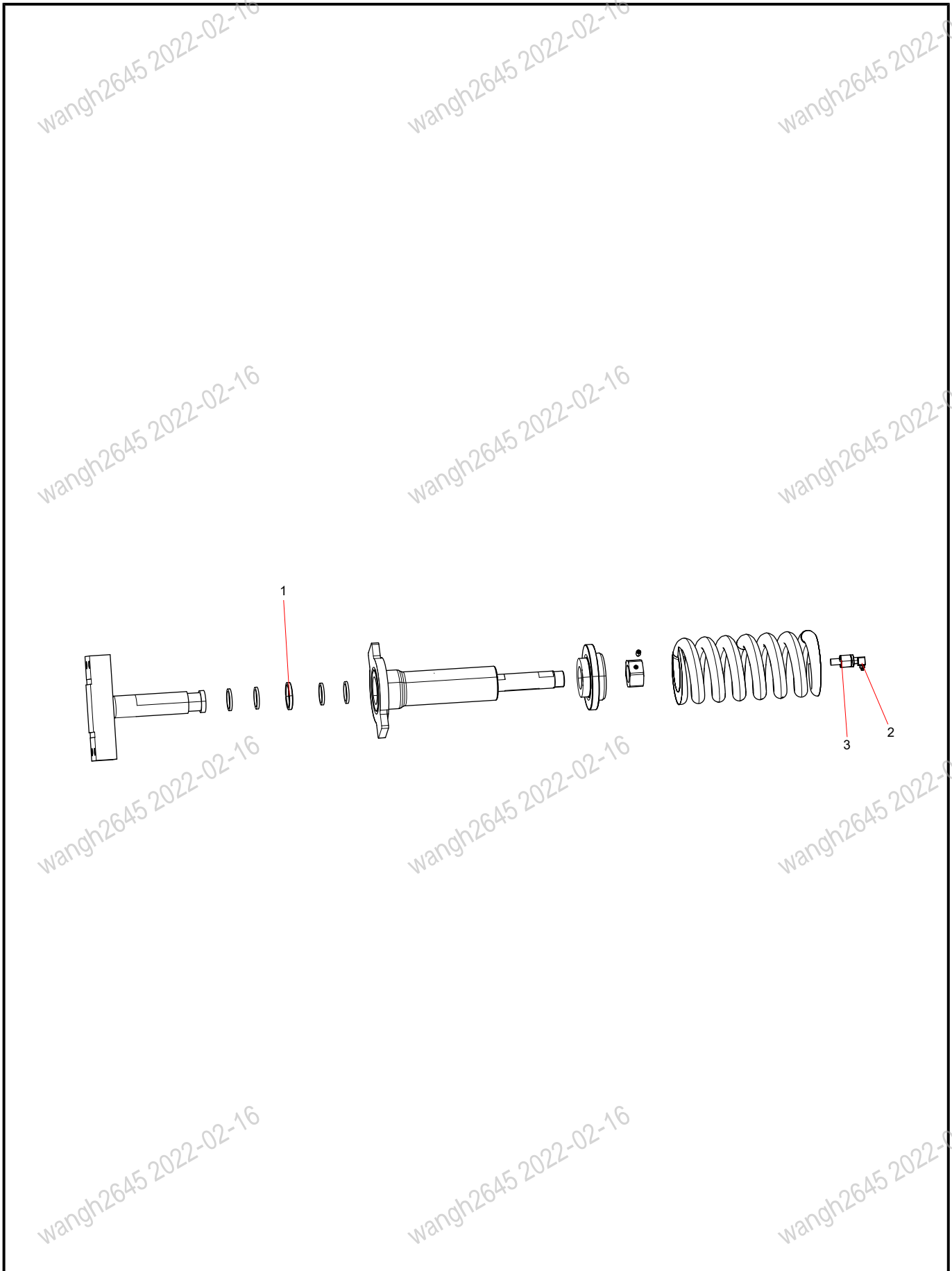
INDEX	PART NO.	DESCRIPTION	QTY	SEE PAGE
1	14270960	Bulldozing shovel	1	
2	A820208000293	Bushing	2	

HZZ004698661 slewing ring

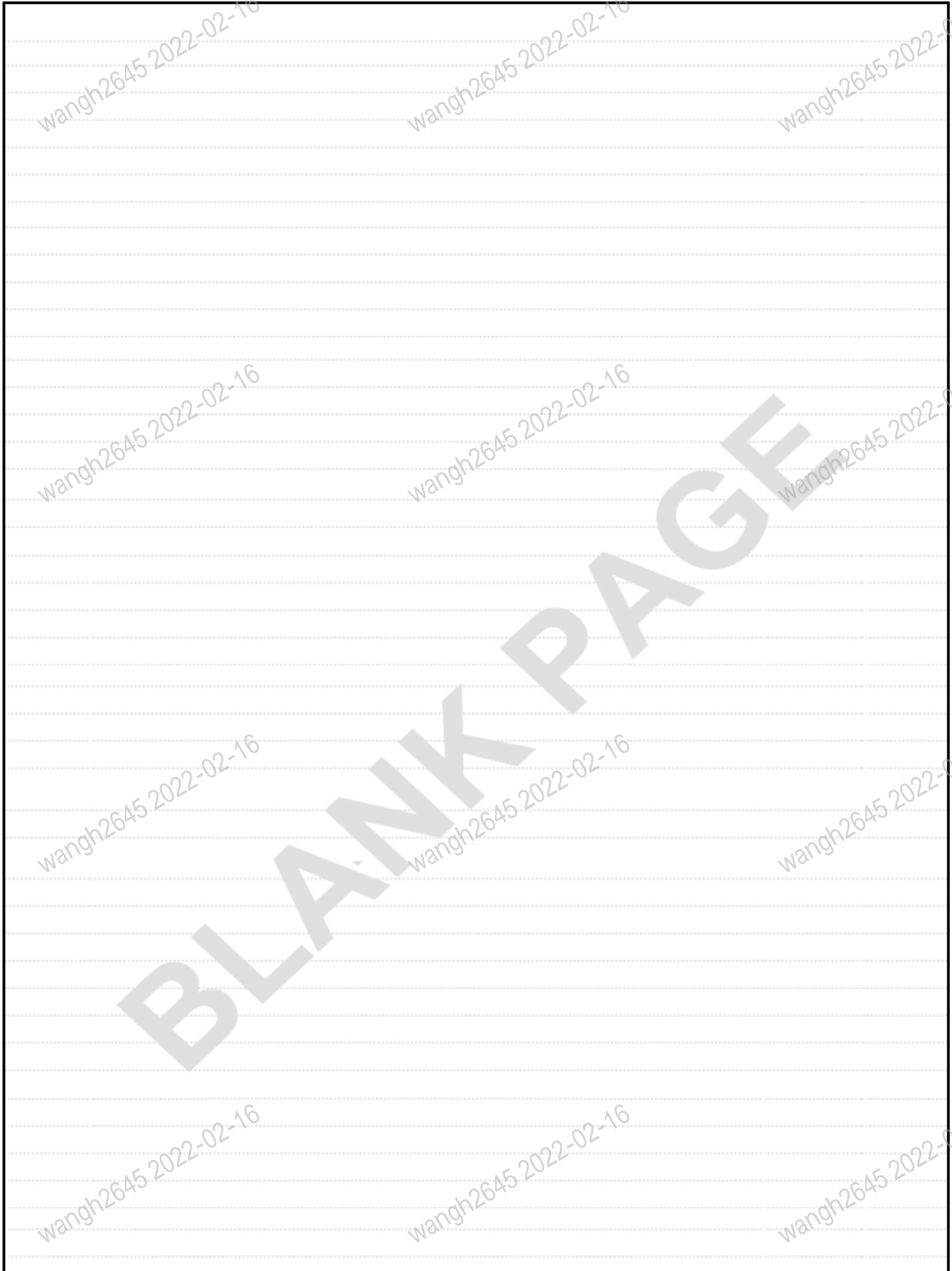


HZZ004698661 slewing ring

INDEX	PART NO.	DESCRIPTION	QTY	SEE PAGE
1	60199495	Strip, Seal	2	

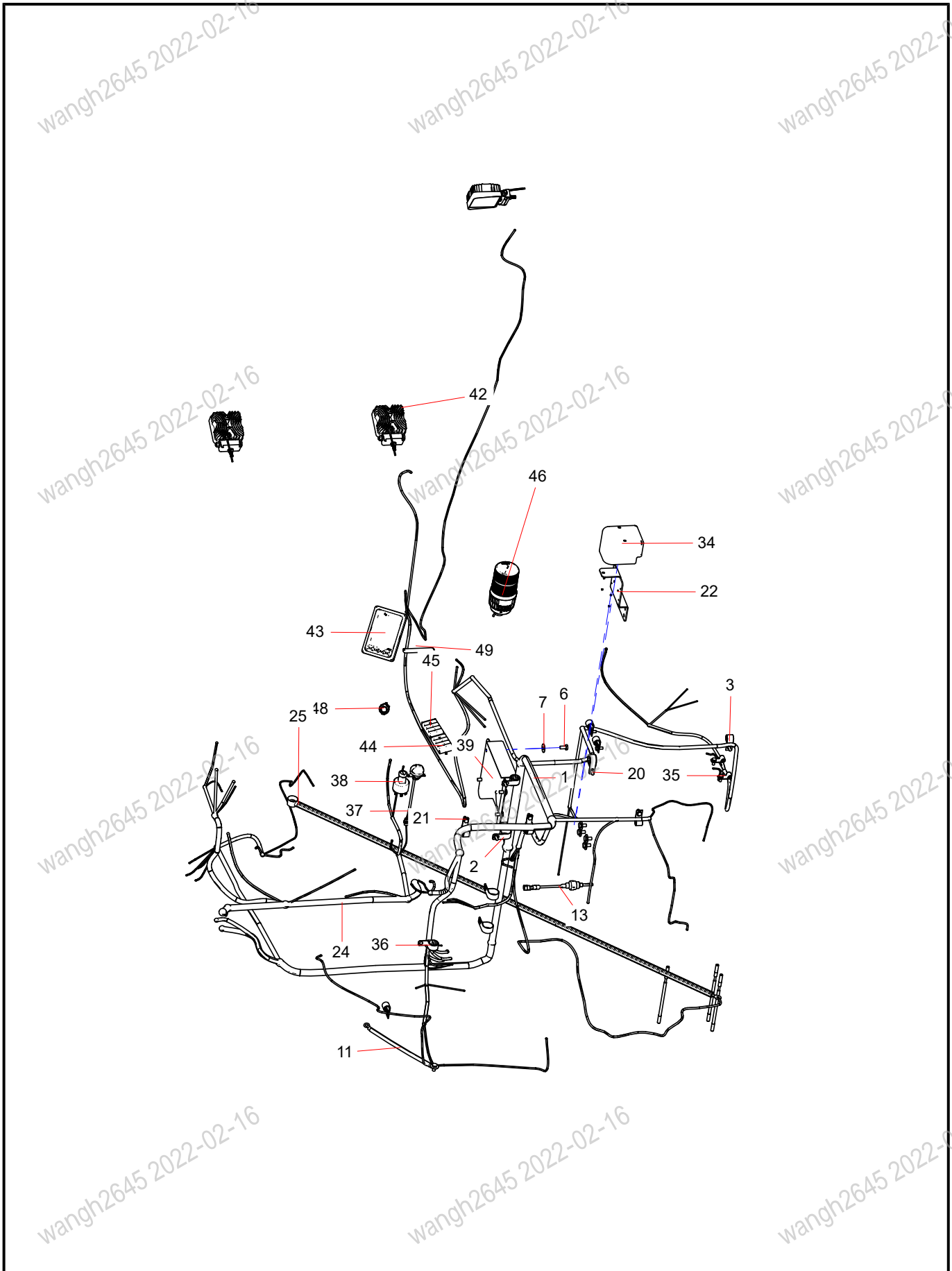


INDEX	PART NO.	DESCRIPTION	QTY	SEE PAGE
1	60037860	Tensioning Equipment Repairing Bag	1	
2	60337293	Grease Fitting	1	
3	60040646	Tensioning Equipment Refiller Valve	1	



Group 10
ELECTRICAL SYSTEM

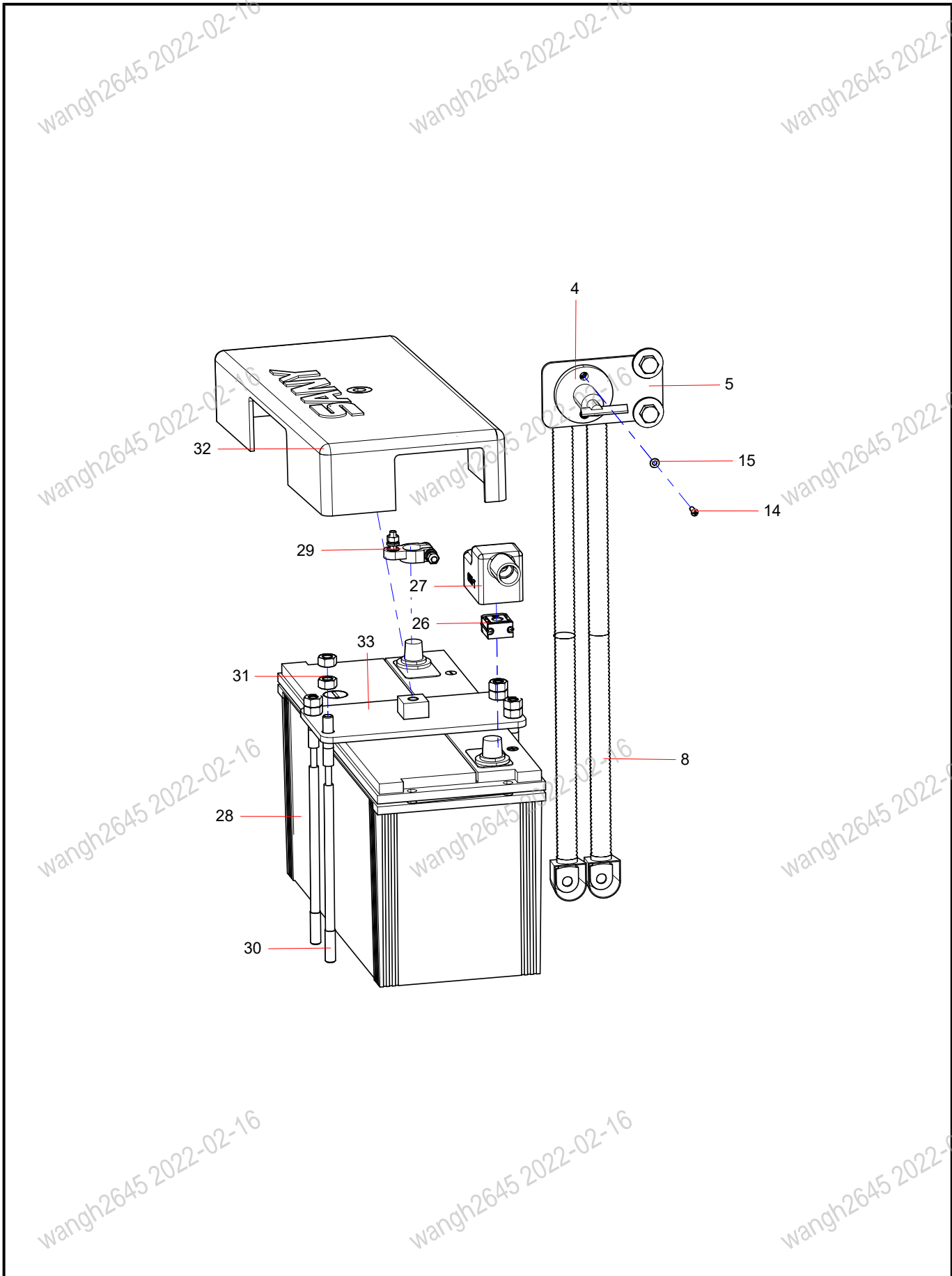
ELECTRICAL SYSTEM (1/3)



ELECTRICAL SYSTEM (1/3)

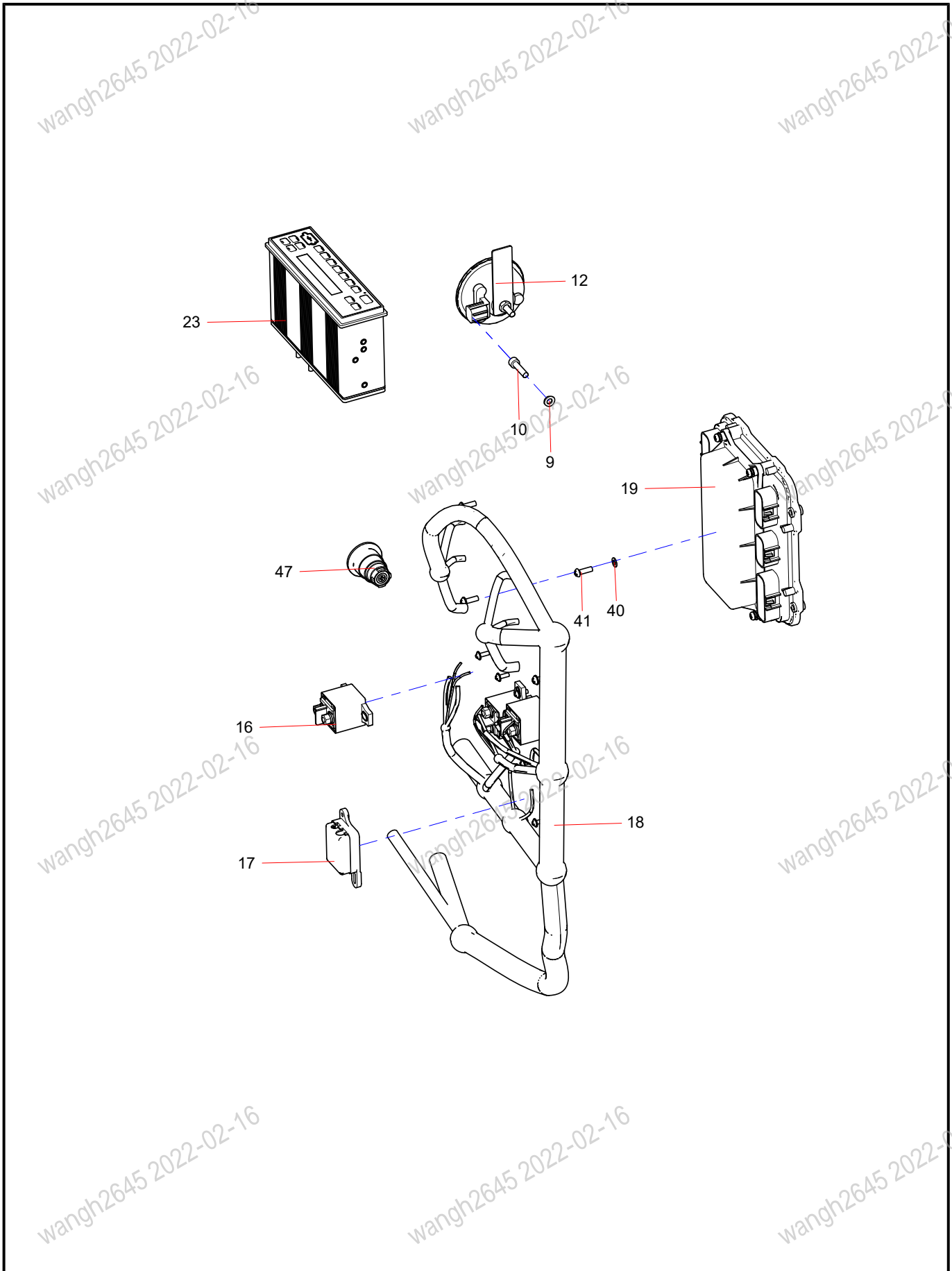
INDEX	PART NO.	DESCRIPTION	QTY	SEE PAGE
1	14284476	carriage harness	1	
2	60086357	Clamp	3	
3	60086354	Clamp	5	
6	A210111000012	Bolt	12	
7	60060546	Washer	12	
11	12537763	Power Supply Line	1	
13	140511010034A	Temperature Sensor	1	
20	A210111000343	Bolt	11	
21	24000633	Washer	11	
22	14290302	FCU holder	1	
24	14284427	CAB HARNESS	1	
25	60193173	Power Line	1	
34	13596573	relay protective cover	1	
35	60086353	Wire Clamp	2	
36	60086356	Gripper Clip	5	
37	60211508	Knob Switch	1	
38	A241200001217	Ignition Switch	1	
39	14290131	ECU COVER	1	
42	141604000227B	Work Lamp	3	
43	14313113	Sany Encourage Control Display	1	
44	142599000037A	Keypads	1	
45	142599000038A	Keypads	1	
46	141699000005B	Light, Warning	1	
48	60222807	Charger	1	
49	140999010025A	Antenna	1	

ELECTRICAL SYSTEM (2/3)



INDEX	PART NO.	DESCRIPTION	QTY	SEE PAGE
4	61022402	Master Switch of Power Supply	1	
5	14289991	Bracket	1	
8	60012803	Power Supply Harness	2	
14	A210210000030	Screw	10	
15	60060562	Washer	10	
26	142301000052B	fusible cutout	1	
27	143001000004B	Fuse Holder	1	
28	60190637	Acid Storage Battery	1	
29	60013321	Terminal Group, Type A Battery Negative	1	
30	A820301015908	Double-threaded Stud	4	
31	A210307000036	Nut	8	
32	SSY005200100	Battery Cover	1	
33	14397579	plant	1	

ELECTRICAL SYSTEM (3/3)



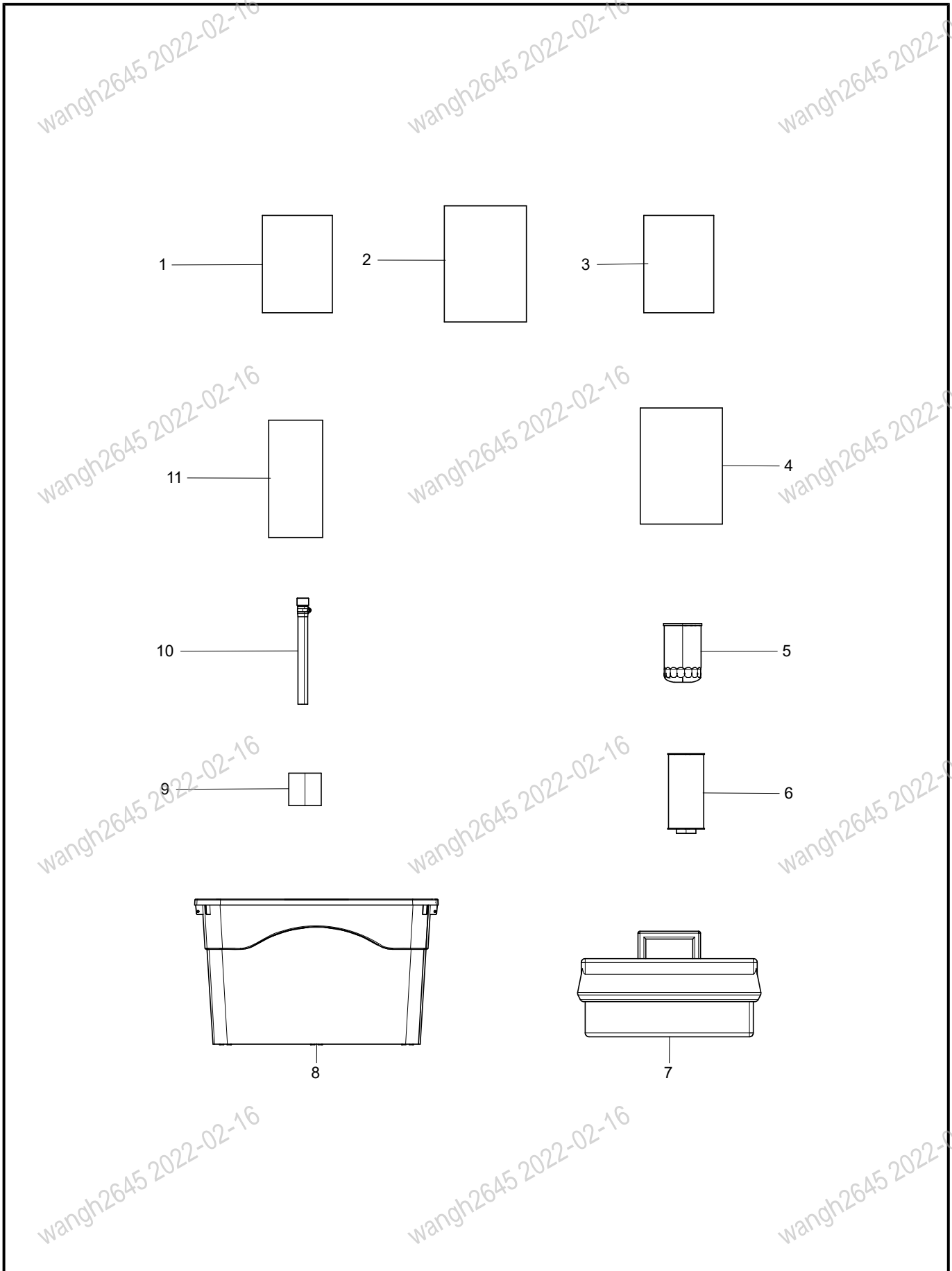
INDEX	PART NO.	DESCRIPTION	QTY	SEE PAGE
9	24000632	Washer	2	
10	24002251	Screw	2	
12	60211509	Horn	1	
16	142099000012B	Power Supply Relay	3	
17	A241300000059	Fuse	1	
18	14284474	control system harness	1	
19	140107000008	The power manages a mold piece	1	
23	61030659	Bluetooth Radio	1	
40	24000630	Washer	4	
41	A210210000002	Screw	4	
47	B240200000059	Emergency Button	1	



Group 11

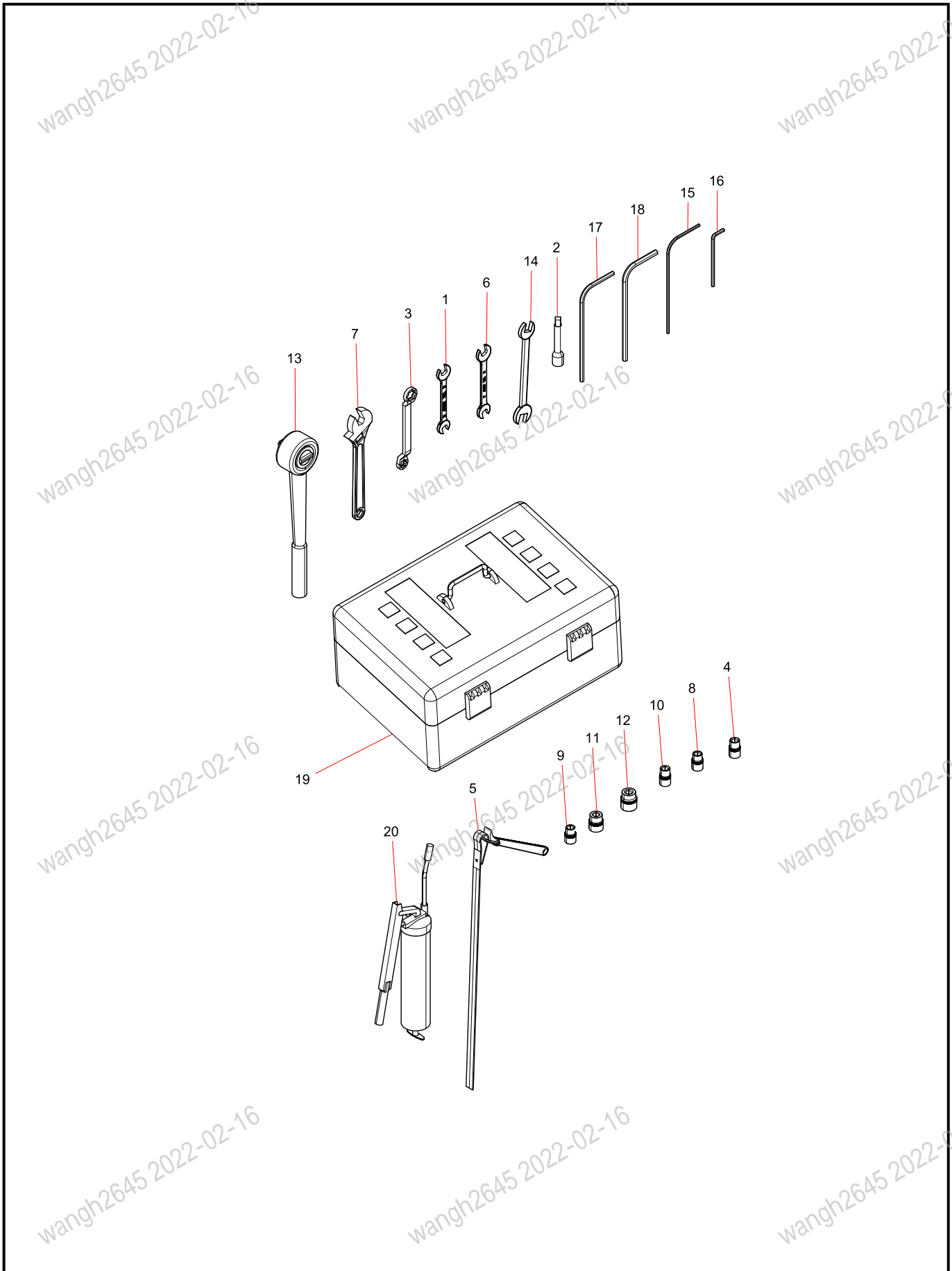
Accessories

Accessories

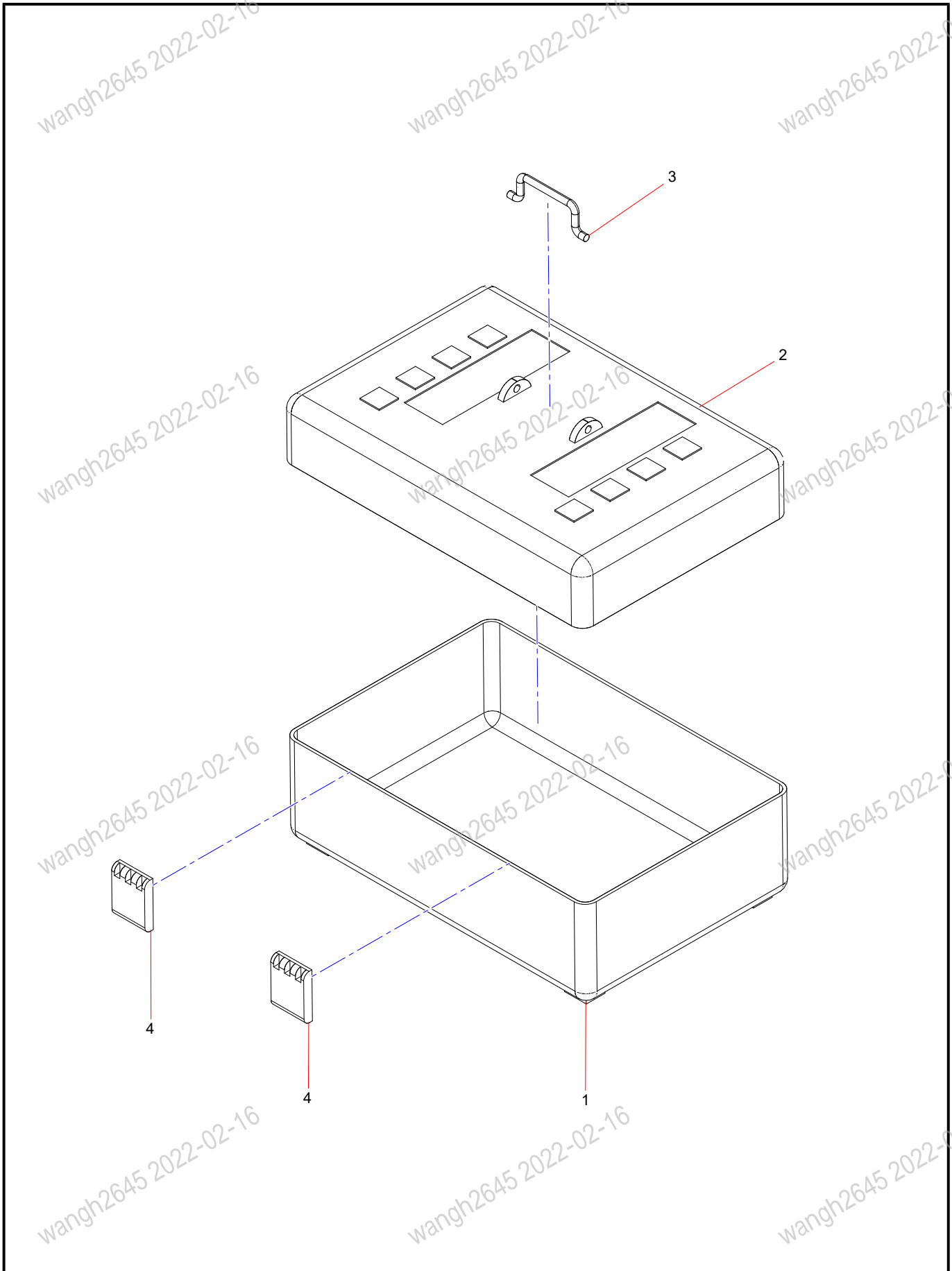


INDEX	PART NO.	DESCRIPTION	QTY	SEE PAGE
1	14300463	SY80C1Y5LU(US) Parts Manual	1	
2	11826337	Sany Excavator Maintenance And Guarantee(English)	1	
3	14300465	SY80U Operation and Maintenance Manual	1	
4	14300518	Engine Manual	1	
5	60336531	Filter Fuel Oil	1	
6	60356164	Element	1	
7	14042474	Accompanying Tools	1	11-4
8	60041997	Accessories Box	1	
9	B222100000686	Oil Filter	1	
10	60348929	Drain Oil	1	
11	B222100000593	Main Cartridge of Air Cleaner	1	

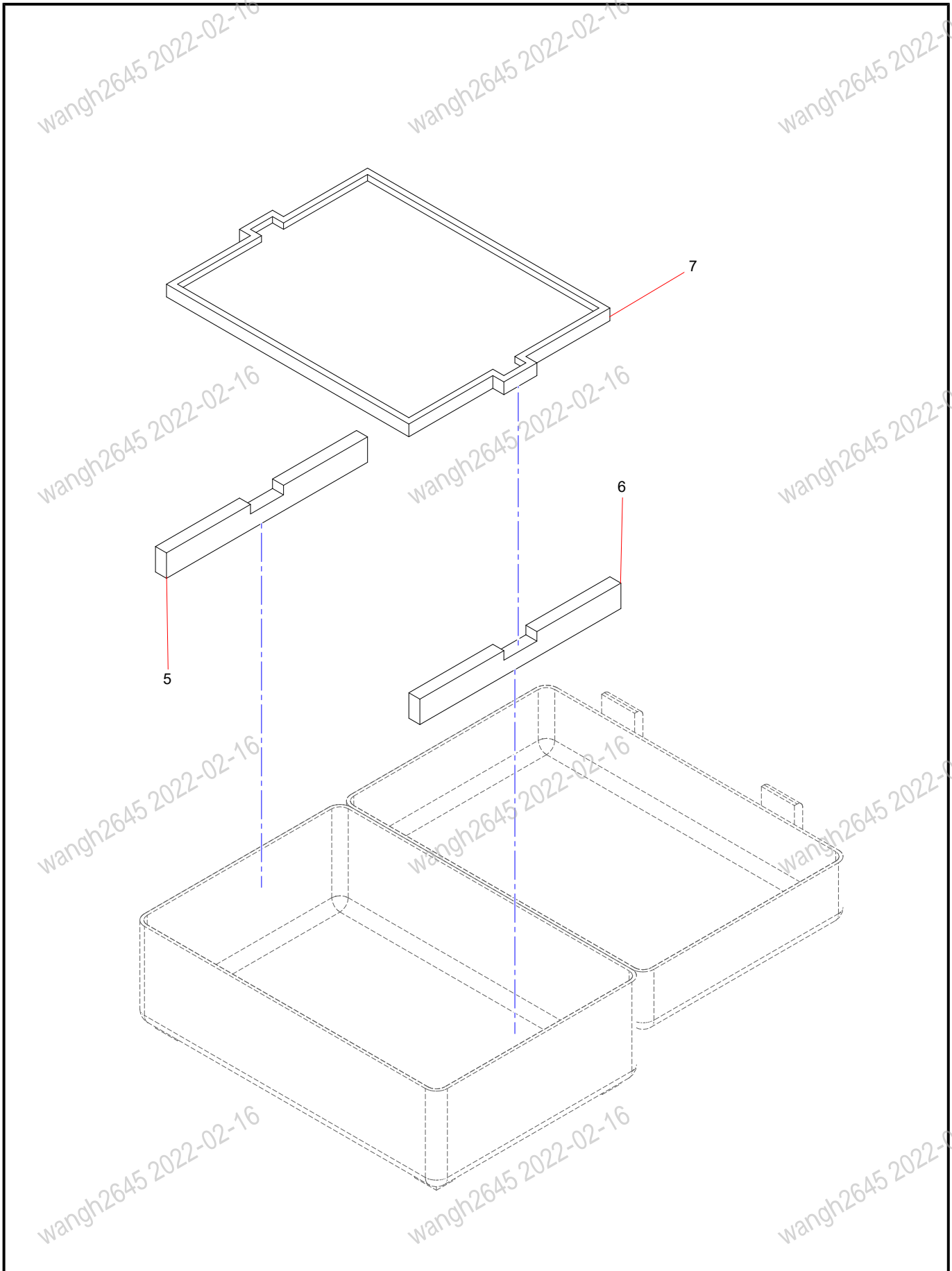
14042474 Accompanying Tools



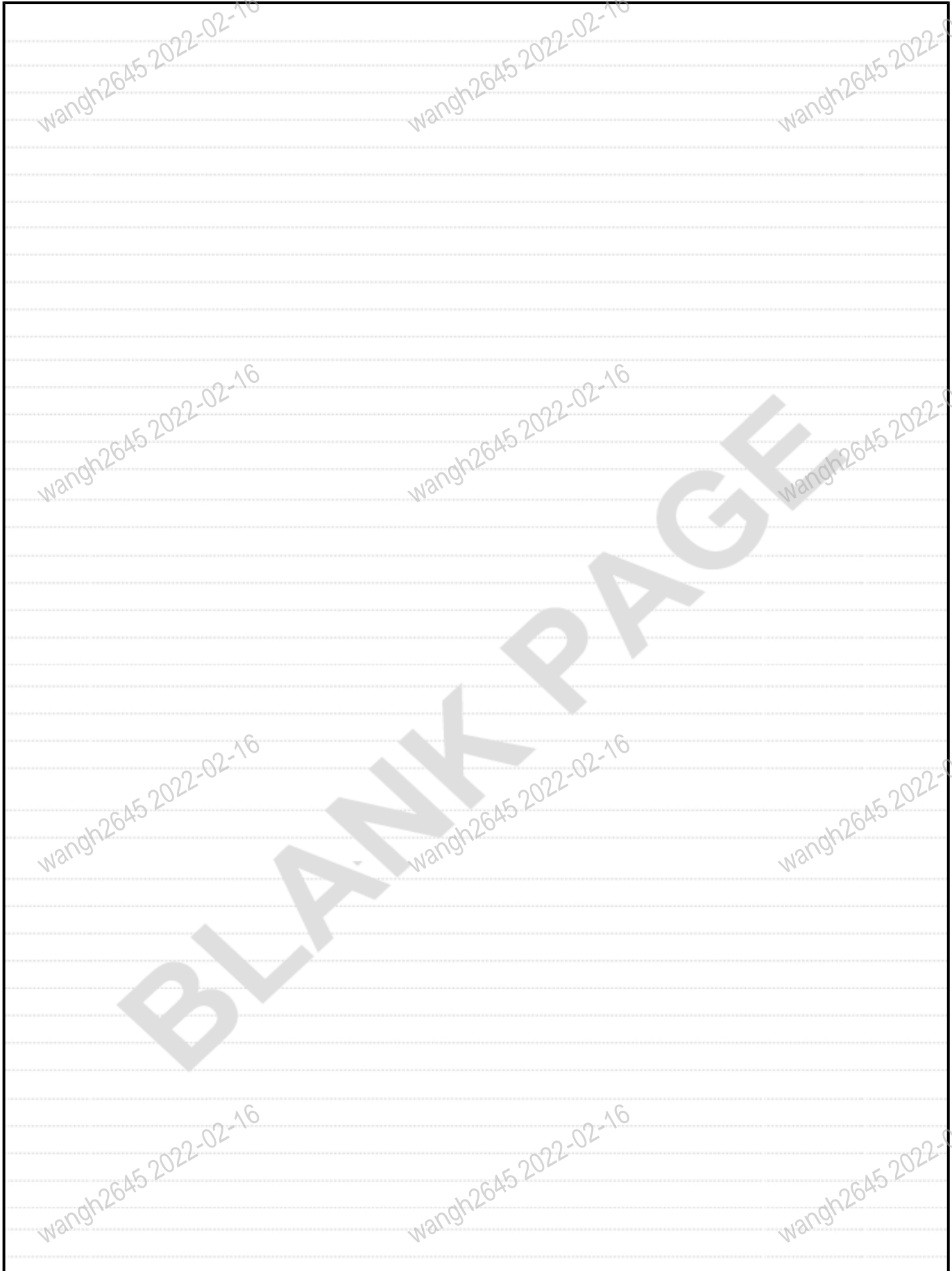
INDEX	PART NO.	DESCRIPTION	QTY	SEE PAGE
1	A260401030028	Double Open-end Wrench	1	
2	A260401030007	Spanner, Double-ended	1	
3	A260401030100	Wrench, Box End	1	
4	60001295	Socket	1	
5	B260401090024	Belt Spanner	1	
6	A260401030005	Spanner, Double-ended	1	
7	A260401040004	Adjustable Spanner	1	
8	A260401010025	Socket	1	
9	A260401010063	Socket	1	
10	A260401010027	Socket	1	
11	A260401010051	Sleeve	1	
12	A260401010029	Sleeve 34×20Gb3390.1-04	1	
13	A260401090010	Wrench Ratchet	1	
14	A260401010092	Connecting Rod	1	
15	A260401020009	Wrench, Allen	1	
16	A260401020010	Wrench, Allen	1	
17	A260401020011	Wrench, Allen 8Rgб5356	1	
18	A260401020004	Wrench, Allen	1	
19	A290000000155	Portable Toolbox	1	11-6
20	B260409000015	High Pressure Manual Grease Gun	1	



INDEX	PART NO.	DESCRIPTION	QTY	SEE PAGE
1	60153777	Upper Cover	1	
2	60153697	Handle	1	
3	60153713	Footing	1	
4	60153693	Latch	2	



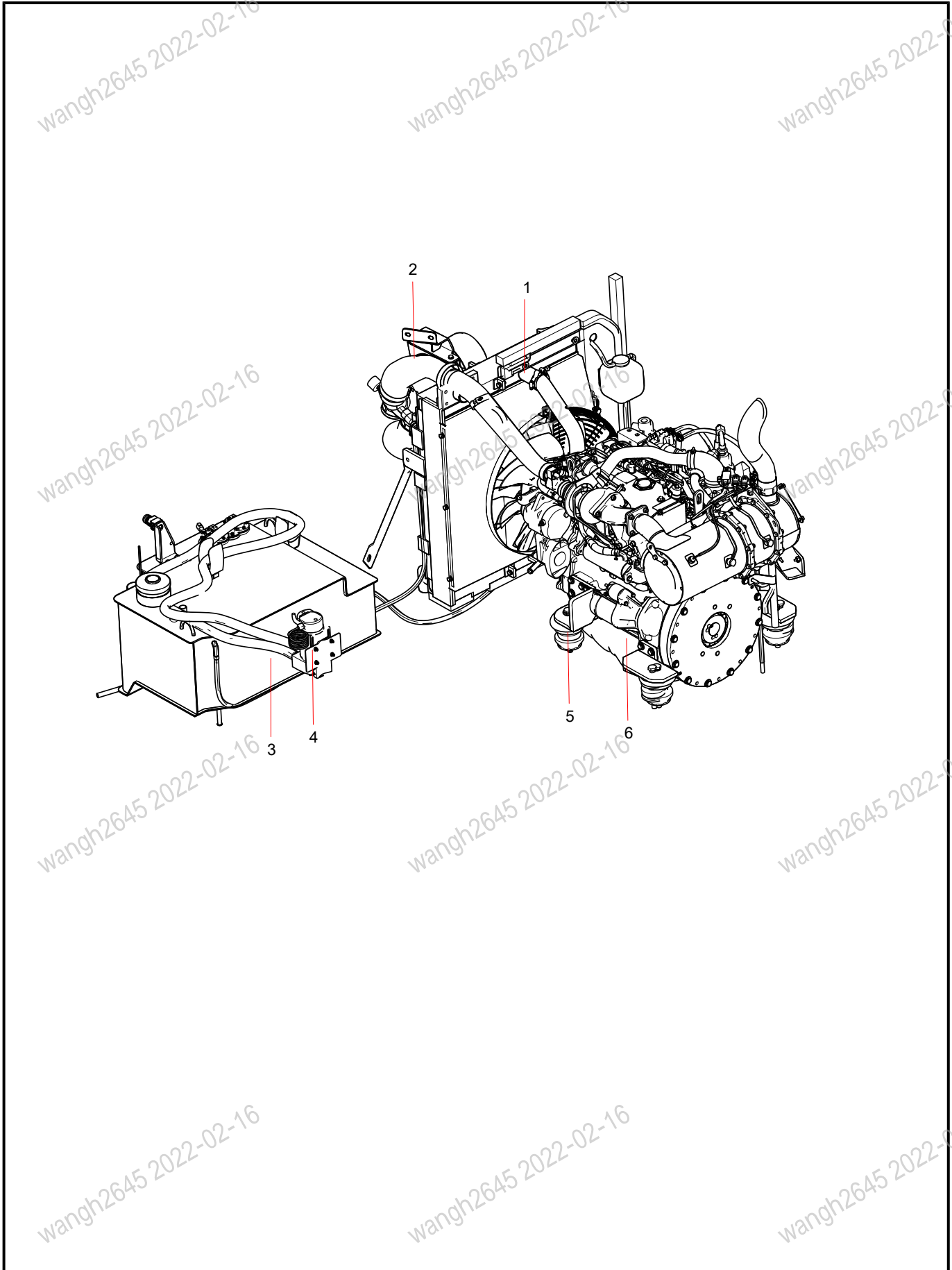
INDEX	PART NO.	DESCRIPTION	QTY	SEE PAGE
5	60153827	Tray	1	
6	60153665	Left Support	1	
7	60153654	Right Support	1	



Group 12

Power system

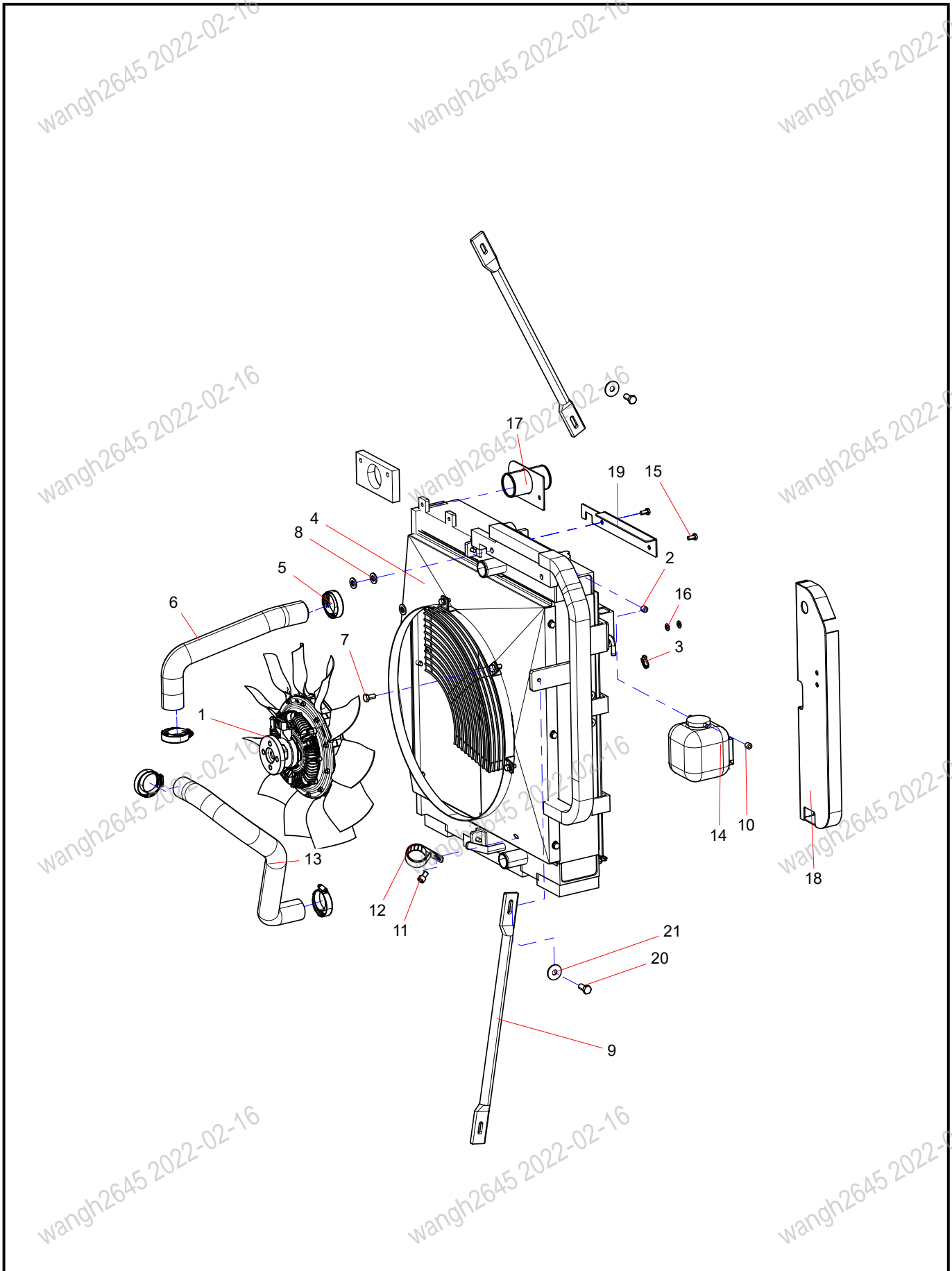
Power system



Power system

INDEX	PART NO.	DESCRIPTION	QTY	SEE PAGE
1		Cooling system	1	12-4
2		air intake& exhaust system	1	12-6
3		fuel system	1	12-8
4		Fill pump system	1	12-12
5		transmission & shock mitigation system	1	12-14
6	61020122	engine	1	

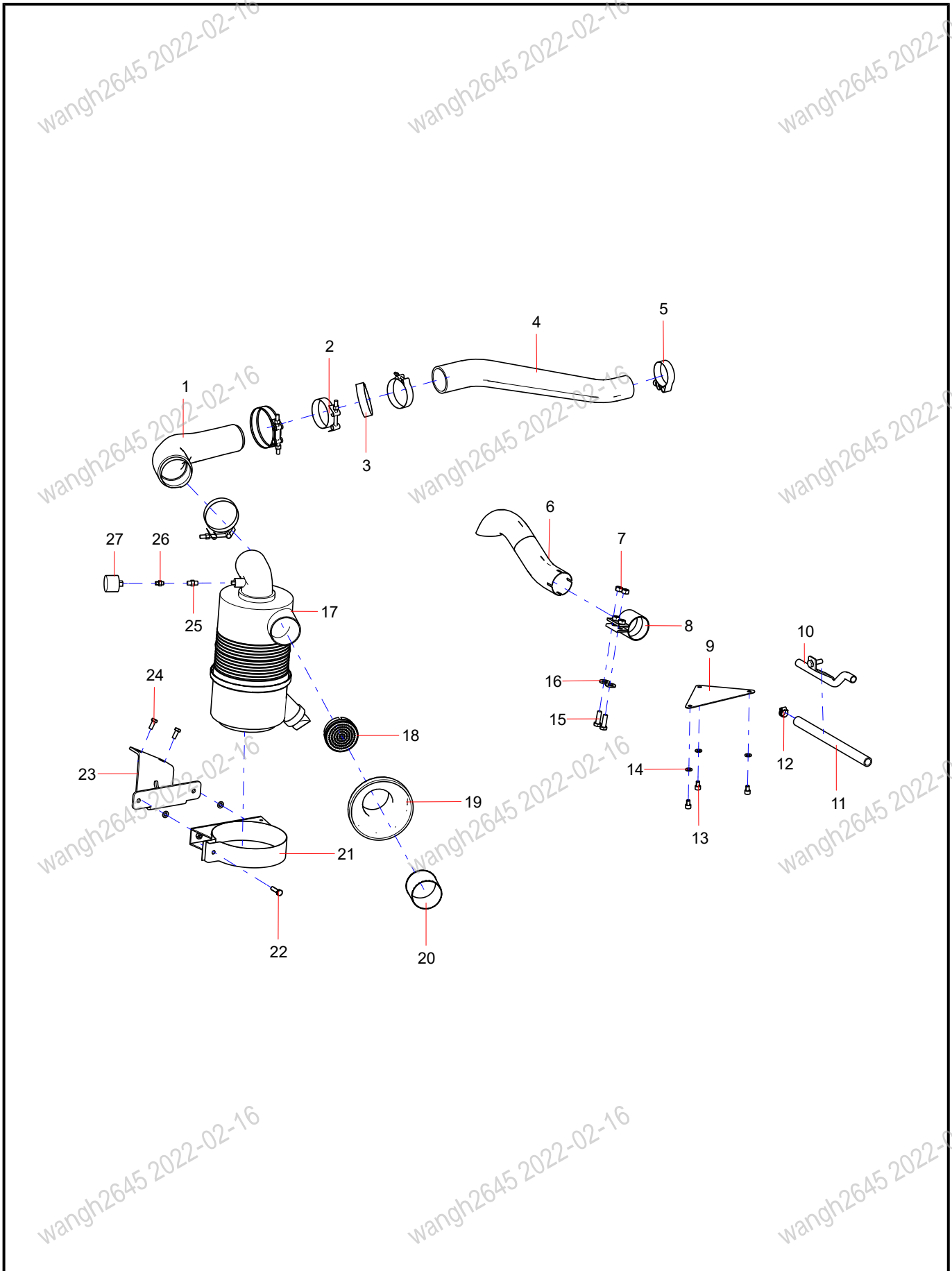
Cooling system



Cooling system

INDEX	PART NO.	DESCRIPTION	QTY	SEE PAGE
1	160802010007B	electromagnetic controlled silicon oil clutch fan	1	
2	14281632	Flexible Pipe	1	
3	A229900001345	Clamp	3	
4	61030736	RadiatorZH610*110*600 - S38Y20Q/SY015028	1	
5	60240503	Clamp	4	
6	14281235	Water tube above	1	
7	A210111000012	Bolt	4	
8	A210491000120	Washer	5	
9	14281172	Water tank supporting rod	2	
10	14281633	Flexible Pipe	1	
11	A210204000334	Screw	1	
12	61032515	Hoop of Pipe	1	
13	14281462	water outlet tube of radiator	1	
14	A229900004825	Liquid Reserve Tank	1	
15	A210111000342	Bolt	6	
16	24000633	Washer	6	
17	14281224	Front Seal Plate	1	
18	14281244	Rear Seal plate	1	
19	14407722	TOP Seal Plate	1	
20	A210111000101	Bolt	2	
21	60060548	Washer	2	

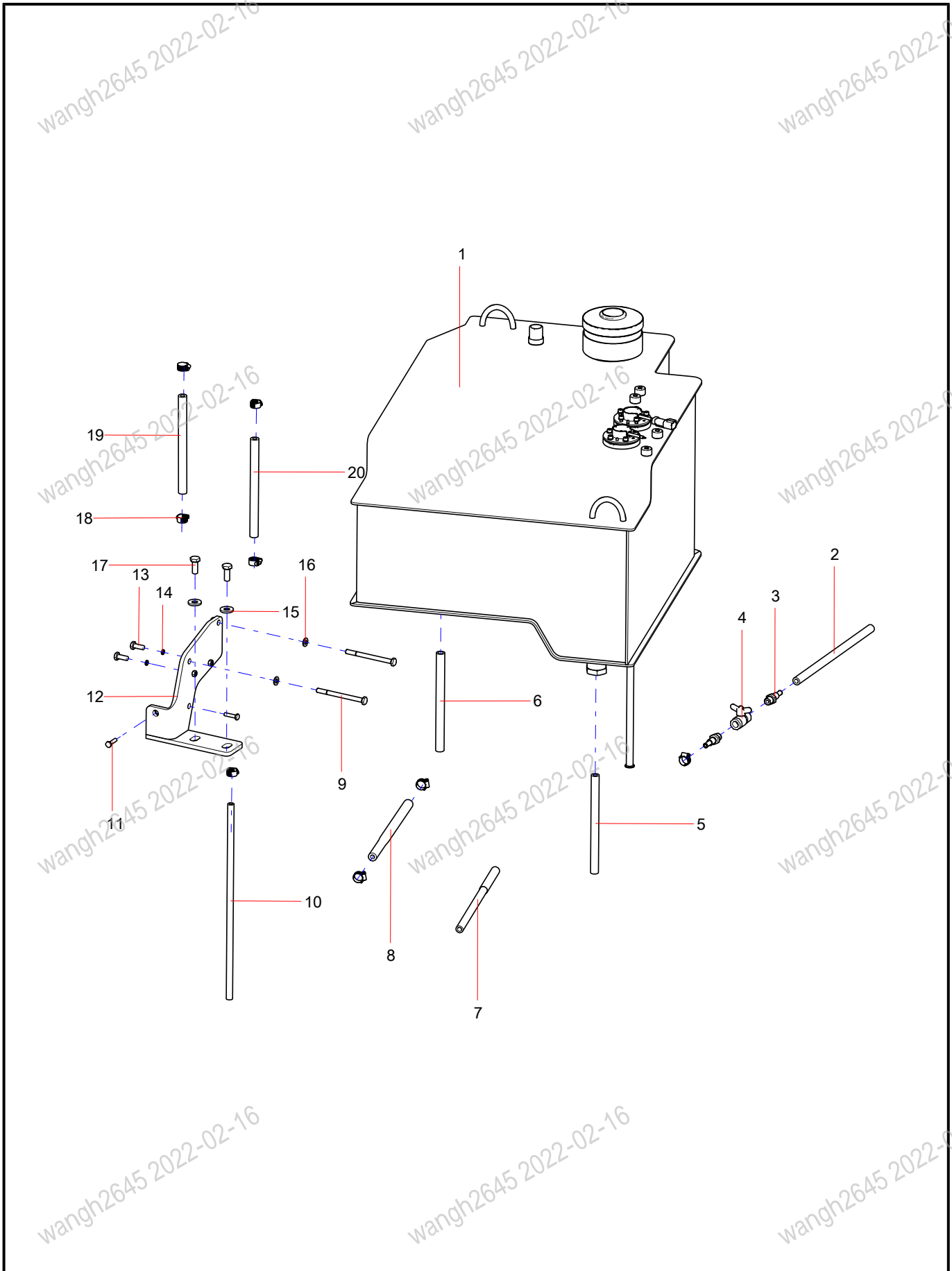
air intake& exhaust system



air intake& exhaust system

INDEX	PART NO.	DESCRIPTION	QTY	SEE PAGE
1	14281014	air inlet pipe	1	
2	A229900003759	Clamp, T-type	4	
3	B229900001059	Clamp, T-type	2	
4	14281050	Air inlet pipe	1	
5	A229900002031	Clamp, T-type	1	
6	14280950	Tail pipe	1	
7	A210307000036	Nut	2	
8	13939772	Anchor Ear	1	
9	14054954	Insulation Board	1	
10	14056874	drainage pipe	1	
11	14056945	Drainage Pipe	1	
12	21053360	Hose Hoop	1	
13	A210204000339	Screw	3	
14	24000633	Washer	6	
15	A210111000024	Bolt	3	
16	A210491000120	Washer	3	
17	B222100000599	Air Cleaner	1	
18	13305223	Filter net	1	
19	SSY004862431	Air inlet pipe	1	
20	SSY004862434	steel tube before air filter	1	
21	10083933	Clip, Air Cleaner	1	
22	A210111000293	Bolt	3	
23	14281653	Air filter folding plate	1	
24	A210111000343	Bolt	2	
25	B229900003909	Sensor Adaptor of Air Cleaner	1	
26	60026309	Sensor Adaptor of Air Cleaner	1	
27	60148482	Air Cleaner Sensor	1	

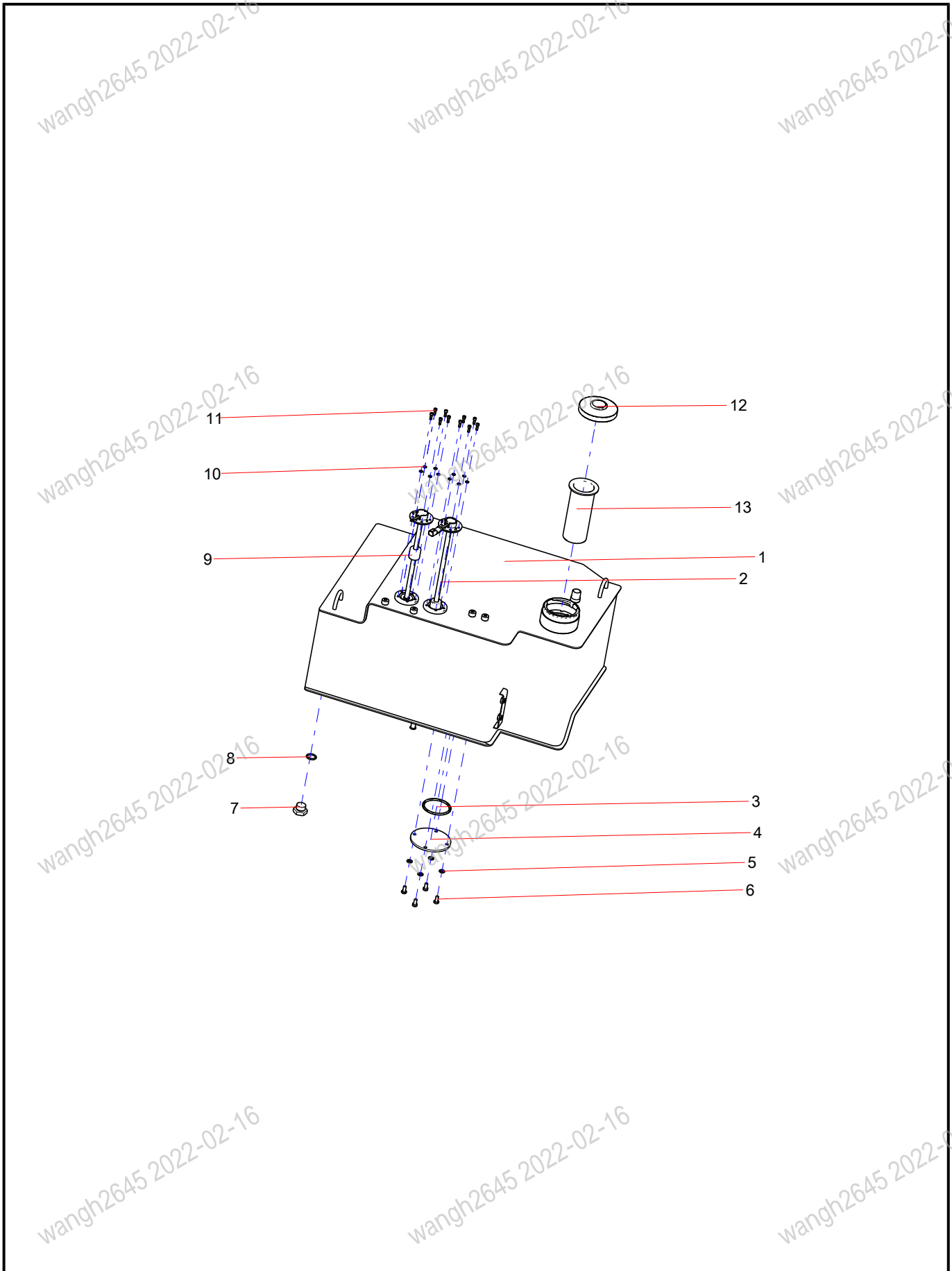
fuel system



fuel system

INDEX	PART NO.	DESCRIPTION	QTY	SEE PAGE
1	14282339	fuel tank	1	12-10
2	14281019	drainage tube	1	
3	13055186	Water-out-joint	2	
4	A229900000882	Valve	1	
5	14281016	drainage tube	1	
6	13614716	fuel pipe	1	
7	14281012	fuel inlet pipe	1	
8	12721406	tube of oil tank to fuel prefilter	1	
9	A229900001700	Bolt M8×100(Gb5782) Grade 10.9	2	
10	14280990	filter drainage tube	1	
11	A210111000081	Bolt	2	
12	14404052	coarse filter support	1	
13	A210111000343	Bolt	2	
14	60060564	Washer	6	
15	A210491000120	Washer	2	
16	24000633	Washer	4	
17	A210111000197	Bolt	2	
18	21053360	Hose Hoop	13	
19	13614412	fuel pipe	1	
20	14281005	fuel pipe	1	

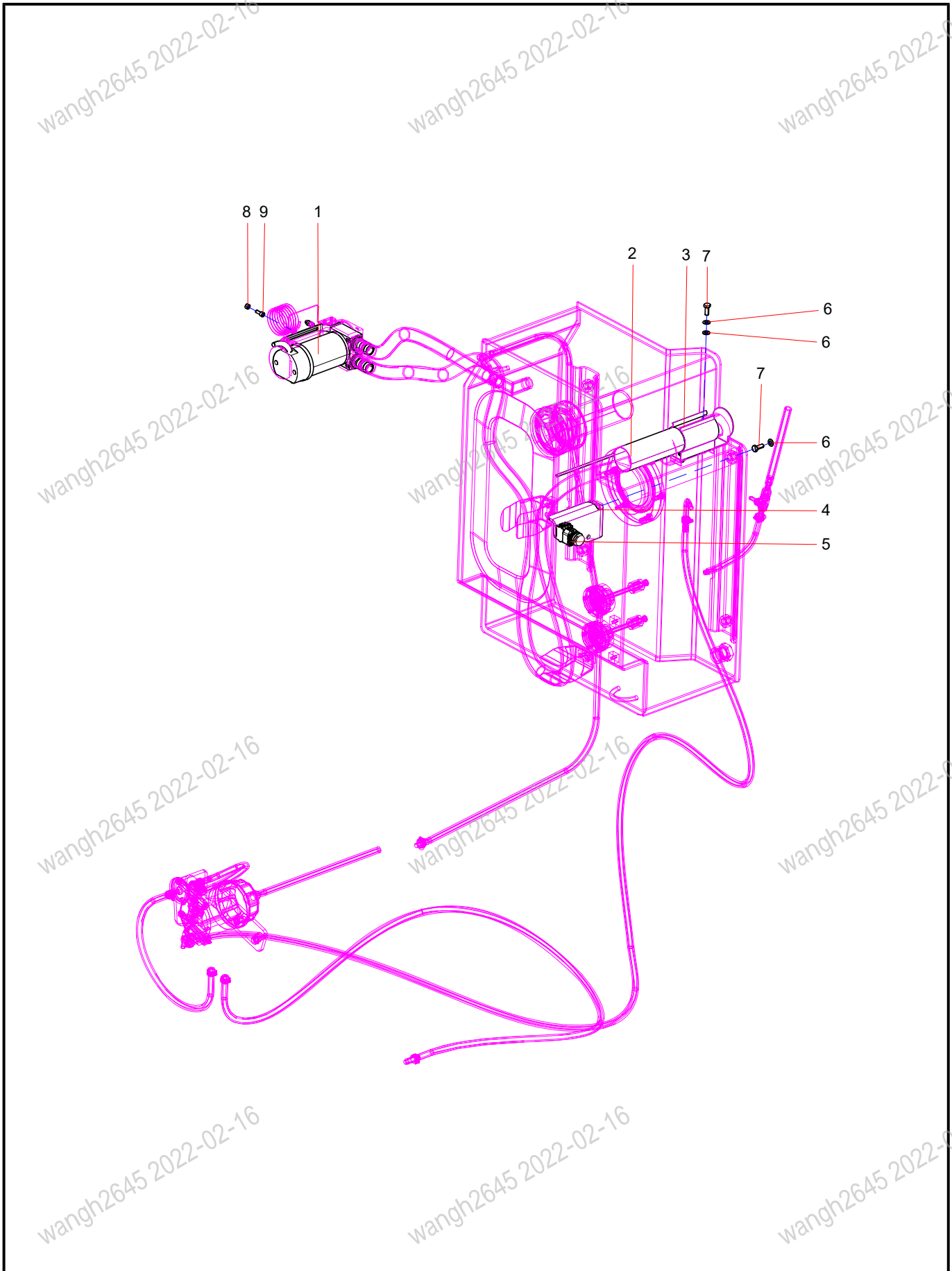
14282339 fuel tank



14282339 fuel tank

INDEX	PART NO.	DESCRIPTION	QTY	SEE PAGE
1	14282258	fuel tank	1	
2	140504000039	High Level Switch	1	
3	A210609000273	O-ring	1	
4	13100584	Cleaning Flange Cap	1	
5	24000633	Washer	4	
6	A210111000342	Bolt	4	
7	10514225	Plug	1	
8	B230101000356	O-ring	1	
9	60206742	Level Sensor	1	
10	24000630	Washer	10	
11	A210204000116	Screw	10	
12	60355379	Fuel Tank Cap	1	
13	B222100000201	Fuel Filter (Excavator)	1	

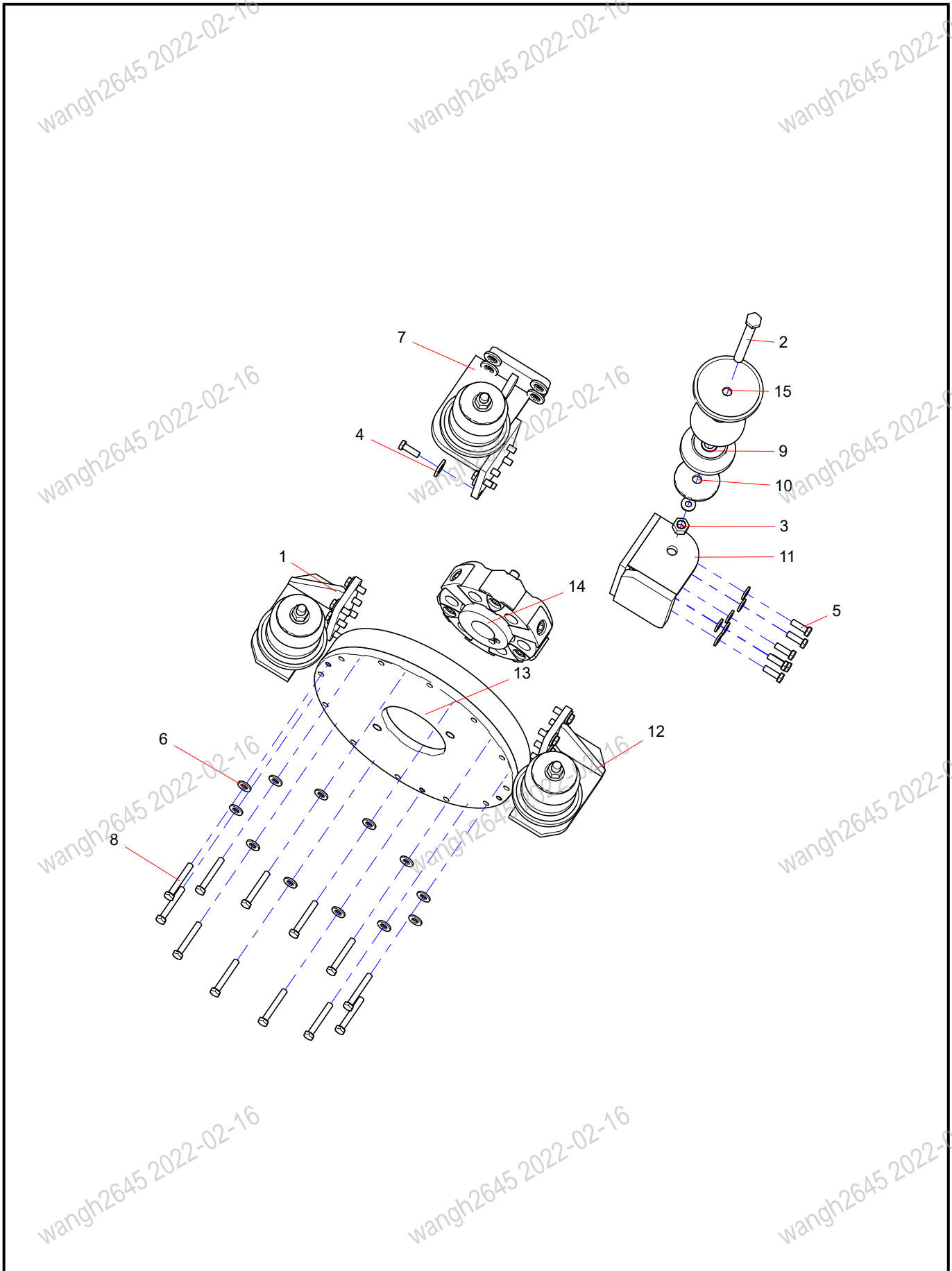
Fill pump system



Fill pump system

INDEX	PART NO.	DESCRIPTION	QTY	SEE PAGE
1	61030441	Fuel Pump	1	
2	14401708	Filter bearer	1	
3	14417668	Support	1	
4	14407544	switch support	1	
5	60331673	Button Switch	1	
6	24000633	Washer	6	
7	A210111000343	Bolt	4	
8	A210307000016	Nut	4	
9	A210204000130	Screw	4	

transmission & shock mitigation system



transmission & shock mitigation system

INDEX	PART NO.	DESCRIPTION	QTY	SEE PAGE
1	14281219	left rear stay	1	
2	A210111000210	Bolt	4	
3	A210307000028	Nut	4	
4	A210491000118	Washer	8	
5	A210111000024	Bolt	24	
6	A210491000120	Washer	36	
7	14265224	right rear bearer	1	
8	A210111000297	Bolt	12	
9	60212661	Damping Pad	8	
10	12810653	Damper Lower Backup Plate	4	
11	14281148	right front stay	1	
12	14281030	left front bracket	1	
13	SSY004676971	Connecting flange	1	
14	130802000165B	Flexible coupling	1	
15	12727958	Mat	4	

transmission & shock mitigation system



Index

10083933 Clip, Air Cleaner	12-7	12076809 Bucket Tooth	5-15
10167594 Shim	9-5	12076815 Bucket Tooth Pin	5-15
10167595 Gasket	9-5	12076820 Tightening Cover	5-15
10250784 Retainer Ring	4-13	12087542 Butter Pool Seal Ring	9-3
10385320 Noise Marker	2-3	12331899 Brace Piece Axial Pin	5-5
10408086 Transitional Joint	8-37	12375484 G3/4-M22-L65 Adaptor	8-83
10468495 Bucket Assembly	5-9	12375512 G3/4-M26-L140 Adaptor	8-83
10514130 Shaft Sleeve	8-5	12537763 Power Supply Line	10-3
10514225 Plug	8-133, 12-11	12568230 Bumper Sleeve	4-9
10536806 Hinge	7-13	12615673 clamp	4-3, 4-5, 4-7
10539590 Right Control box Support Abutment	6-5	12615674 clamp	4-3, 4-5, 4-7
10542624 Cover	9-3	12625442 Mounting plate of high-pressure oil filter	8-39
10574179 Spacer	9-5	12688927 Left Handle	6-11
10574180 Spacer	9-5	12691132 Right Handle	6-13
10574187 Rigid board	5-5	12721406 tube of oil tank to fuel prefilter	12-9
10600405 Cover Plate	9-3	12727958 Mat	12-15
10735444 pipe nip	8-45, 8-47	12738042 Protective Sleeve	8-5
10735452 pipe nip	8-47, 8-53	12810653 Damper Lower Backup Plate	12-15
10764848 Protective sleeve	8-7	12879311 Return Joint	8-95
11035346 Flange	8-43	12880603 Counterweight Marking	2-3
11082048 Corrugated Tube	8-43	12971412 Piston	8-135
11133578 Antiskid Paste	2-5	13036166 Protective Sleeve	8-5
11133788 Protective Sleeve	8-5	13039393 Washer	4-9, 4-11, 4-13, 8-135
11147465 Installation plate	8-35	13055186 Water-out-joint	12-9
11159187 G1-M45 connector	8-83, 8-95	130802000165B Flexible coupling	12-15
11215836 Lock pin	8-83	13088526 Wind Hook	7-3
11260095 Track Roller	9-7	13088595 Limit Board Assembly	7-3
11261296 Guide Sleeve	8-135	130901000234A001 the glass of driving cab	6-27
11262199 Locker Assem.	7-5	130901000234A002 the glass of driving cab	6-27
11292833 General Assembly of Locker	7-3	130901000234A003 Door Weld Assembly	6-27
11325808 adaptor	8-37, 8-87	130901000234A004 Cab Door Lock	6-27
11473393 Retaining Ring	4-11	130901000234A005 Lock Catch	6-27
11473425 buffer sleeve	4-11	130901000234A006 Door Lock Cover	6-27
11473426 lock key	4-11	130901000234A007 Door Rubber Strip	6-27
11473971 Oil Pipe Component	4-13	130904000019A001 TOP cover of left armrest box	6-7
11473973 Oil Pipe Component	4-13	130904000019A002 Lower cover of left armrest box	6-7
11523058 plate	6-5	130904000019A armrest box	6-5
11571909 Block	6-3	130904000020A001 Top cover of right armrest box	6-9
11623219 Retaining Ring	4-11	130904000020A002 Lower cover of right armrest box	6-9
11647963 Pipe Clamp	4-9, 4-11, 4-13, 8-135	130904000020A armrest box	6-5
11664307 Mounting Block	4-3, 4-7	130907000255A padlock	7-11
11699688 Bumper Sleeve	4-13	130988000347A Right sliding window assembly	6-19
11817247 Fix Board	7-9	130988000348A Skylight glass	6-19
11826337 Sany Excavator Maintenance And Guarantee(English)	11-3	130988000349A Rear window	6-19
11899729 Carry Roller	9-7	130988000350A Maintenance door	6-19
11937141 Foot Valve Seal	6-15	130988000351A Front window air spring	6-21
11961759 Cramp	7-5	130988000352A Front window right locking plate	6-21
12033810 No Trample Nameplate	2-5		
120504000014A Self-Lubricating Bearing	8-135		
12052085 Fixed Loading Spot Mark	2-3		
12052087 Mark Diagram of Hook Point	2-3		
12053111 PT Block	8-29		
12061490 Oil cylinder guard board	9-5		
12074275 Suction Cover	8-133		

130988000353A Front window left locking plate.....	6-21	130988000403A Sealing rubber of front-lower glass.....	6-23
130988000354A Front window connecting rod connecting block.....	6-21	130988000404A Front lower glass.....	6-19
130988000355A Front window roller rod.....	6-21	130988000469A Wiper arm.....	6-33
130988000356A Roller wheel of front window.....	6-21	13100584 Cleaning Flange Cap.....	12-11
130988000357A Lower glass limit pier.....	6-25	13107721 Piston.....	4-13
130988000358A Back lock.....	6-25	13116311 Guide Sleeve.....	4-13
130988000359A Rear lock wire assembly.....	6-25	13155987 Leading Switch Mark Decal.....	2-5
130988000360A Rear lock opening handle assembly.....	6-25	13156069 Foot Pedal Mark Decal.....	2-3
130988000361A Vane assembly.....	6-25	131602000002A Cab silicon oil shock absorber..	6-15
130988000362A Air outlet.....	6-37	13166292 Hanging Pieces Caution.....	2-3
130988000363A Right front air duct.....	6-37	13166419 Safety Exit Lable.....	2-3
130988000364A Central duct.....	6-37	13166449 Lubricating graphic chart.....	2-5
130988000365A Left rear duct.....	6-37	13166450 Oil-water Separator Drain.....	2-5
130988000366A Right rear duct.....	6-37	13166512 Seat Adjustment Instruction.....	2-3
130988000367A Lock catch of door.....	6-25	13166678 Protective Glasses Lable.....	2-5
130988000368A Round head lock of maintenace door.....	6-19	13166694 Gloves Lable.....	2-5
130988000369A Internal decoration assembly ...	6-23	13166740 Accumulator Decal.....	2-7
130988000370A Back trim.....	6-35	13166754 Overhead Obstacle Caution.....	2-3
130988000371A Left trim.....	6-35	13166770 Machine Marking.....	2-7
130988000372A Glove case.....	6-35	13202041 Water Pipe.....	8-9
130988000373A Water cup seat.....	6-35	13203029 Connector.....	8-83
130988000374A Key panel mounting seat.....	6-35	13203130 Screw Plug G1/2.....	4-9, 4-11, 4-13, 8-135
130988000375A Right-front trim.....	6-35	13215447 Protective sleeve.....	6-15
130988000376A Right trim.....	6-35	13254933 Retaining Ring.....	4-11
130988000377A Bracket of display screen.....	6-35	13254935 Retaining Ring.....	8-135
130988000378A Left rear duct connecting pipe ..	6-37	13254937 Retainer Ring.....	4-9
130988000379A Right rear duct connecting pipe.....	6-37	13254954 Retaining Ring.....	4-13
130988000380A Centralair duct connecting pipe.....	6-37	13254956 Retaining Ring.....	4-9, 4-11, 8-135
130988000381A Left-back trim.....	6-35	13254964 Retaining Ring.....	4-13
130988000382A Right-back trim.....	6-35	13269044 Handle Guard.....	8-15, 8-33
130988000384A Top trim.....	6-35	13272748 Hydraulic Oil Tank Indicative Board.....	2-5
130988000385A Sunroof trim.....	6-35	13275952 Guide Sleeve.....	4-11
130988000386A Skylight shade assembly.....	6-35	132799000057A Side Bucket Teeth.....	5-15
130988000387A Door assembly.....	6-19	132799000058A Side Bucket Teeth.....	5-15
130988000388A Right hook plate of shade curtain.....	6-25	13305223 Filter net.....	12-7
130988000389A Left hook plate of shade curtain.....	6-25	13312229 Piston.....	4-11
130988000390A Center pillar handle.....	6-25	13320917 Steel Pipe.....	4-3
130988000391A Windscreen wiper assembly.....	6-21	13320921 Steel Pipe.....	4-3
130988000392A Left-hand glass.....	6-19	13370484 Shaft Sleeve.....	3-3
130988000393A Plastic case outside wiper.....	6-33	13383990 left armrest box base.....	6-5
130988000394A Windscreen wiper.....	6-33	13391350 Hose Protective Sleeve.....	8-57, 8-91
130988000395A Reading lamp.....	6-23	13418200 Compressor Protective.....	8-9
130988000396A External filter press plate.....	6-25	13447215 Protective sleeve.....	8-7
130988000397A Front window right connecting rod.....	6-21	13447216 Protective sleeve.....	8-7
130988000398A Front window left connecting rod.....	6-21	13447217 Protective Sleeve.....	8-7
130988000399A Front Sliding Window.....	6-19	13504946 Emergency Stop Switch Decal.....	2-5
130988000400A Front side up-move glass.....	6-29	13507565 Fan Warning Decal.....	2-7
130988000401A Lower rubber strip of front window.....	6-29	13507584 High Temperature Warning Decal.....	2-5
130988000402A Front sealant strip.....	6-19	13507743 Read Manual Decal.....	2-5
		13507746 Seat Safety Caution Board Decal.....	2-5
		13507767 Power Sign Decal.....	2-7
		13507822 Counter Rotating Rollers Decal.....	2-7
		13507828 Oil Level Label.....	2-7
		13509503 Be Care of Steam Decal.....	2-7
		13596573 relay protective cover.....	10-3
		13601111 Installation Case of Jerk Switch.....	6-5
		13603244 Pedal.....	6-17
		13603245 Rotating Shaft.....	6-17
		13603246 Pendulum Pedal Assembly.....	6-15
		13614412 fuel pipe.....	12-9

13614716 fuel pipe.....	12-9	14270850 Spacer.....	5-3
13793488 Left Boom Marking.....	2-3	14270960 Bulldozing shovel.....	9-9
13793494 Boom Right Marking.....	2-3	14271234 Bucket Oil Cylinder.....	4-3
13805059 Environmental-protect Marking.....	Decorating 2-3	14271236 Piston Rod.....	4-13
13817427 Protective sleeve.....	8-5	14271238 Cylinder Assem.....	4-13
13834945 Name Plate.....	2-3	14272136 Bulldozing shovel oil cylinder.....	8-87
13834946 Name Plate.....	2-3	14272139 Piston Rod.....	8-135
13845262 Run-out Footplate.....	6-15	14272141 Cylinder Assem.....	8-135
13845264 Installation Frame.....	6-17	14272145 Oil Pipe Component.....	8-135
13908271 Clamp.....	4-3	14274047 Cylinder, arm.....	4-3
13939772 Anchor Ear.....	12-7	14274050 Rod.....	4-11
13966508 Screw Thread Adaptor.....	6-5	14274052 Cylinder Assem.....	4-11
13982387 Pipe, hot pipe, air conditioner.....	8-9	14274056 Oil Pipe Component.....	4-11
13987917 The direction of oil filter bottom.....	2-7	14274058 Oil Pipe Component.....	4-11
140107000008 The power manages a mold piece.....	10-7	14276310 Oil cylinder guard board.....	5-5
14042474 Accompanying Tools.....	11-3	14277746 Piston.....	4-9
140504000039 High Level Switch.....	12-11	14277747 Guide Sleeve.....	4-9
140511010034A Temperature Sensor.....	10-3	14277748 Bulldozing shovel oil cylinder.....	4-3
14054954 Insulation Board.....	12-7	14277752 Piston Rod.....	4-9
14056874 drainage pipe.....	12-7	14277754 Cylinder Assem.....	4-9
14056945 Drainage Pipe.....	12-7	14277762 Oil Pipe Component.....	4-9
14093459 Armrest Box Cushion.....	6-5	14277955 Fitting.....	8-83
140999010025A Antenna.....	10-3	14277987 Suction hose.....	8-81
14108125 Backup Sleeve of Pedal.....	6-11	14277991 Clamp.....	8-91
14108126 Right Footplate.....	6-13	14278012 Clamp.....	8-91
14108128 Left Backup Plate of Pedal.....	6-11	14278022 Suction hose.....	8-95
14108130 Backup Support Right.....	6-13	14278049 Suction steel pipe.....	8-81
14148558 Connecting Rod.....	5-9	14279076 Hoop.....	4-7
141501000112A001 Evaporator.....	8-11	14279121 Suction steel pipe.....	8-81
141501000121A002 FET ASSY.....	8-13	14279632 Hoop.....	4-5
141501000122A004 HOSE-HTR.....	8-13	14279705 cover plate.....	6-15
141501000203A004 Filter Element.....	8-13	14280067 Connector.....	8-19, 8-79
141502000361A FILTER.....	8-11	14280637 Board.....	8-91
141604000227B Work Lamp.....	10-3	14280950 Tail pipe.....	12-7
141699000005B Light, Warning.....	10-3	14280990 filter drainage tube.....	12-9
14174859 Decal.....	2-5	14281005 fuel pipe.....	12-9
142099000012B Power Supply Relay.....	10-7	14281012 fuel inlet pipe.....	12-9
142301000052B fusible cutout.....	10-5	14281014 air inlet pipe.....	12-7
14239093 Plate.....	4-7	14281016 drainage tube.....	12-9
14239099 Plate.....	4-7	14281019 drainage tube.....	12-9
142599000037A Keypads.....	10-3	14281030 left front bracket.....	12-15
142599000038A Keypads.....	10-3	14281050 Air inlet pipe.....	12-7
14263541 protecting ring.....	6-15	14281148 right front stay.....	12-15
14263545 Bottom board.....	6-15	14281172 Water tank supporting rod.....	12-5
14263555 Support of reaview mirror.....	6-3	14281219 left rear stay.....	12-15
14263570 Installation Seat.....	6-5	14281224 Front Seal Plate.....	12-5
14263767 left travel control lever assembly.....	6-3	14281235 Water tube above.....	12-5
14263768 right travel control lever assembly.....	6-3	14281244 Rear Seal plate.....	12-5
14264109 installation plate for electrical equipment	6-3	14281462 water outlet tube of radiator.....	12-5
14265224 right rear bearer.....	12-15	14281632 Flexible Pipe.....	12-5
14270033 Brace piece axial pin.....	5-5	14281633 Flexible Pipe.....	12-5
14270049 Brace piece axial pin.....	5-3	14281652 Steel tube assy.....	4-7
14270058 Brace piece axial pin.....	5-3	14281653 Air filter folding plate.....	12-7
14270062 Brace piece axial pin.....	5-3	14281750 Steel tube assy.....	4-5, 4-7
14270835 Travel device.....	9-3	14281800 Steel tube assy.....	4-3
14270846 Shaft Sleeve.....	5-11	14281877 Steel tube assy.....	4-5, 4-7
14270848 Shaft Sleeve.....	5-11	14281903 Steel tube.....	4-7
14270849 Spacer.....	5-3	14282258 fuel tank.....	12-11
		14282339 fuel tank.....	12-9
		14282822 Upper Structure.....	8-3
		14282934 Steel tube assy.....	4-5, 4-7

14283428 main vavle bracket.....	8-5	14408688 Engine hood AS	7-3
14283727 Steel tube assy.....	4-7	14408696 Engine hood.....	7-13
14283733 Steel tube assy.....	4-3	14408721 Partition.....	7-7
14283979 Brace piece axial pin.....	8-7	14408722 Bracket AS.....	7-3
14284007 Steel tube assy.....	4-3	14408728 Bracket.....	7-7
14284202 Steel tube assy.....	4-3	14408731 Bracket.....	7-7
14284222 Brace piece axial pin.....	5-3	14408816 Cover, upper.....	7-3
14284427 CAB HARNESS.....	10-3	14408822 Cover AS, upper.....	7-3
14284474 control system harness.....	10-7	14408829 Cover, upper.....	7-9
14284476 carriage harness.....	10-3	14408833 Cover, upper.....	7-9
14284723 Oil suction steel pipe.....	8-81	14408865 Door, GP, left.....	7-3
14285178 Sponge.....	8-95	14408940 Bracket Component.....	7-3
14285185 Fixed plate.....	8-7	14408963 Beam , front.....	7-3
14287718 Hydraulic Fuel Tank Assy.....	8-81	14408964 Bracket.....	7-3
14288277 fillet.....	8-5	14408965 Seal.....	7-3
14289991 Bracket.....	10-5	14408966 Seal.....	7-3
14290031 Cover Plate.....	9-7	14408968 Beam , right.....	7-3
14290131 ECU COVER.....	10-3	14408969 Seal.....	7-3
14290302 FCU holder.....	10-3	14408970 Seal.....	7-3
14290688 Plate.....	7-7	14408971 Seal.....	7-5
14290696 Partition.....	7-7	14408972 Seal.....	7-3
14290713 Bracket.....	7-7	14408973 Stay.....	7-5
14290797 cover plate on the fueling tank.....	7-5	14408974 Beam , left.....	7-3
14290811 Seal , bottom.....	7-3	14408975 Seal , right.....	7-3
14290812 Seal , bottom.....	7-3	14408976 Seal , back.....	7-3
14293683 left front sealing board.....	8-5	14415842 Decal.....	2-5
14293684 left central sealing board.....	8-5	14416521 Lifting Mark.....	2-3
14293685 left rear sealing board.....	8-5	14417668 Support.....	12-13
14293688 right front sealing board.....	8-5	14421504 integrated grease mark.....	2-3
14293689 right central sealing board.....	8-5	14423862 Boom swing joint warning board.....	2-3
14295421 bush.....	4-9	14424253 counterweight left reflective coating.....	2-3
14296571 coating.....	2-3	14424256 counterweight right reflective coating.....	2-3
14296633 coating.....	2-3	14453752 Rubber sleeve.....	7-7
14300100004B Fuse Holder.....	10-5	14550717 fuel mark.....	2-7
14300463 SY80C1Y5LU(US) Parts Manual.....	11-3	14552719 shaft sleeve.....	4-11
14300465 SY80U Operation and Maintenance Manual.....	11-3	14552720 shaft sleeve.....	4-13
14300518 Engine Manual.....	11-3	150101090016A Plunger Pump.....	8-81
14308573 Control Lever.....	6-11, 6-13	150188000456A Retaining ring.....	8-97
14313113 Sany Encourage Control Display.....	10-3	150188000457A Oil seal cover.....	8-97
14318571 back mirror components.....	7-5	150188000459A Main shaft.....	8-97
14320715 Steel tube assy.....	4-7	150188000460A Bearing.....	8-97
14321900 Oil Pipe Component.....	4-9	150188000461A Washer.....	8-97
14342999 lift Meter.....	2-5	150188000462A Retaining ring.....	8-97
14353780 installation frame.....	8-5	150188000463A Body.....	8-97
14363700 Floor Cushion.....	6-3	150188000464A Nameplate.....	8-97
14364652 Steel pipe.....	4-3, 4-7	150188000465A Screw.....	8-97
14393859 right rear sealing board.....	8-5	150188000466A Nut.....	8-97
14393862 rear sealing board.....	8-5	150188000467A Piston.....	8-97
14397579 plant.....	10-5	150188000468A Retainer plate.....	8-97
14401280 Sponge.....	8-95	150188000469A Ball hinge.....	8-97
14401708 Filter bearer.....	12-13	150188000470A Spring.....	8-97
14404052 coarse filter support.....	12-9	150188000471A Cylinder body.....	8-97
14404961 Pipeline change mark.....	2-5	150188000472A Port plate.....	8-97
14406566 Counterweight.....	8-139	150188000473A Spring.....	8-97
14407544 switch support.....	12-13	150188000474A Bearing bush.....	8-97
14407722 TOP Seal Plate.....	12-5	150188000475A Swashplate.....	8-97
14408205 front engine hood brattice.....	7-5	150188000476A Throttle screw plug.....	8-97
14408510 front cover.....	7-5	150188000477A Bearing.....	8-97
14408515 front cover.....	7-15	150188000478A Rear cover.....	8-97
14408574 Dust-proof net.....	7-11	150188000479A Lock pin.....	8-97
		150188000480A Steel ball.....	8-97

150188000481A Spring	8-97	150688000409A Boom Swing Assy	8-99
150188000482A Power valve assy	8-97	150688000410A Aux section assy	8-99
150188000483A Pilot valve assy	8-97	150688000411A Aux section assy	8-99
150188000484A O-ring 8-101, 8-103, 8-105, 8-107, 8-109, 8-111, 8-113, 8-115, 8-117, 8-119, 8-121		150688000412A Travel section assy	8-99
150188000485A Control valve assy	8-97	150688000413A Travel section assy	8-99
150188000486A Screw block	8-97	150688000414A Dozer section assy	8-99
150188000488A Repair kit	8-97	150688000415A Slewing section assy	8-99
150401030033A001 Valvecr000026	8-65	150688000416A Out section assy	8-99
150401030033A002 Valve Ce000146	8-65	150688000417A Nut	8-99
150401030033A003 Valve Cd000188	8-65	150688000418A Bolt	8-99
150401030033A004 Plug Ab000001	8-65	150688000419A Repair kit	8-99
150401030033A005 Solenoid Valve Body A000001	8-65	150688000420A Spool assy	8-101
150401030033A Spool	8-31	150688000421A Valve block	8-101
150502010009A001 Spool Component	8-61, 8-69	150688000422A Screw plug	8-101, 8-123
150502010009A002 Push Rod Bushing Component	8-61, 8-69	150688000423A Plug assy	8-101
150502010009A003 Permanent Seat Component	8-61, 8-69	150688000424A End cover assy .. 8-103, 8-105, 8-107, 8-109, 8-111, 8-113, 8-115, 8-117, 8-119, 8-121	
150502010009A004 Valve Body	8-69	150688000425A Spool	8-103
150505010074A001 Handle Assembly	8-61	150688000426A Relief valve	8-103, 8-105, 8-107, 8-109, 8-119
150505010074A002 Body	8-61	150688000427A Valve block	8-103, 8-107
150505010074A Pilot-control Valve	8-15, 8-23	150688000428A Compensating valve assembly	8-103, 8-115, 8-117
150505020014A Foot-Op. Pilot Valve	8-15	150688000429A Screw plug	8-103, 8-107
150505020014B001 Repair Kit	8-71	150688000430A Spool	8-103, 8-107
150588000122A Valve block	8-71	150688000431A Spool	8-105
150588000123A Spring seat	8-73	150688000432A Valve block	8-105, 8-109, 8-111, 8-113, 8-119
150588000124A Spool	8-73	150688000433A Compensating valve assembly	8-105
150588000125A Spring seat	8-73	150688000434A Spool	8-107
150588000126A Spring	8-73	150688000435A Compensating valve assembly	8-107
150588000127A Spring	8-73	150688000436A Spool	8-109
150588000128A O-ring	8-73	150688000437A Compensating valve assembly	8-109, 8-111, 8-113, 8-119
150588000130A Shock absorber body	8-71	150688000438A Spool	8-111
150588000131A Steel ball	8-75	150688000440A Spool	8-113
150588000132A Spring seat	8-75	150688000441A Spool	8-115, 8-117
150588000133A Crown bar seat	8-75	150688000442A Valve block	8-115
150588000134A Spring seat	8-75	150688000443A Valve block	8-117
150588000135A Spring	8-75	150688000444A Spool	8-119
150588000136A Mandrel	8-75	150688000445A Valve block	8-121
150588000137A plate	8-71	150688000446A Valve block	8-121
150588000138A Fixed seat	8-71	150688000447A Compensating valve assembly	8-121
150588000139A Spring	8-75	150688000448A Valve block	8-123
150588000140A Screw	8-71	150688000449A Screw plug	8-123
150588000141A Plug	8-71, 8-97	151002160005 Rubber Hose	4-7
150588000142A Oil ring	8-75	151002160013A Rubber Hose	8-51, 8-55
150588000143A O-ring	8-75	151002160021A Rubber Hose	4-7
150588000144A Bush	8-71	151002160053B Hose AS	4-3
150588000145A Sealing parts	8-75	151002160054B Hose AS	4-3
150588000146A seat	8-71	151006160008 Rubber Hose	8-91
150588000147A Cylindrical pin	8-71	151006160009 Rubber Hose	4-3, 4-7
150588000148A Plug	8-71	151006160013 Rubber Hose	8-93
150588000149A Screw	8-71	151006160074B Hose AS	4-3, 4-5
150588000150A Dust cover	8-71	151006160075B Hose AS	4-3, 4-5
150601080013A001 Overflow valve 8-111, 8-113		151006160076B Hose AS	4-3
150601080013A Valve, control	8-83	151008060111A Hose AS	8-87
150688000324A Plug	8-101	151008160002 Rubber Hose	8-85
150688000405A Inlet assy	8-99		
150688000406A Boom section assy	8-99		
150688000407A Bucket section assy	8-99		
150688000408A Arm section assy	8-99		

151401040548A JT Guide Ring.....	4-11	60013771 Condenser.....	8-11
151499000026A Retaining Ring.....	4-13	60017380 Butter Nozzle.....	5-5
151499000027A Retaining Ring.....	4-11	60023703 Speaker.....	6-25
152301000023A Proportional Electromagnetic Valve.....	8-27	60023704 Antenna.....	6-19
160802010007B electromagnetic controlled silicon oil clutch fan.....	12-5	60026309 Sensor Adaptor of Air Cleaner.....	12-7
21001328 Washer.....	8-5, 8-81, 8-83, 8-91	60030552 BRKT ASSY-T/PULLEY MTG.....	8-11
21002815 Fitting.....	8-15, 8-17, 8-29, 8-33, 8-37, 8-79	60031308 Hook, Coat & Hat.....	6-23
21002822 Fitting.....	4-3, 4-7, 8-83, 8-85, 8-87	60035791 Seal Ring.....	4-13
21002823 End Straight Adapter.....	8-83	60037860 Tensioning Equipment Repairing Bag.....	9-13
21002824 Pipe Connector.....	4-3, 4-5, 4-7	60038063 Valve.....	8-129
21002825 End Straight Adapter.....	8-83	60038227 Spring.....	8-129
21005085 Screw.....	8-71	60038238 spring.....	8-127
21005186 Bolt.....	6-5	60038505 Plug.....	8-129
21005237 Bolt.....	9-7	60038511 Plug.....	8-129
21005568 End Straight Connector.....	4-5, 8-93	60038512 Plug.....	8-129
21011029 Pipe connector.....	8-83	60038531 RIVET.....	8-129
21023881 Screw Plug.....	4-3	60040646 Tensioning Equipment Refiller Valve.....	9-13
21023883 Plug.....	4-3, 4-5	60041997 Accessories Box.....	11-3
21027314 Rubber Hose.....	8-55	60049162 Pressure Oil Filter.....	8-35
21027341 Hose.....	8-51, 8-79	60052625 Spray nozzle.....	6-23
21027533 Screw.....	4-3, 4-5, 4-7	60052639 Bayonet Catch of Top Shed.....	6-35
21030934 Rubber Hose.....	8-51	60052666 Safety Hammer.....	6-23
21032784 Hose Assembly.....	8-49	60060546 Washer.....	10-3
21050508 Bolt.....	5-5	60060548 Washer.....	8-7, 12-5
21051021 Tee Joint.....	8-83	60060553 Washer.....	8-81
21053360 Hose Hoop.....	12-7, 12-9	60060562 Washer.....	7-11, 10-5
23000066 Screw.....	8-15, 8-133	60060564 Washer.....	8-9, 8-23, 8-25, 8-33, 12-9
23000427 Rubber Hose.....	8-53	60068270 Expansion valve.....	8-13
23000531 Fitting.....	4-3	60072117 Seal Ring.....	8-135
23000732 Rubber Hose.....	8-47	60072118 IUH Seal Ring.....	4-11
23000738 Rubber Hose.....	8-45	60072195 Oil Return Filter.....	8-133
23001846 Slinger.....	8-97	60072196 Oil Suction Filter.....	8-133
23001922 O-ring.....	8-21	60076062 Front lock plate.....	6-21
24000511 Washer.....	6-5, 8-27, 8-29, 8-31, 8-35, 8-39, 8-45, 8-47, 8-53	60076063 Right front window lock.....	6-21
24000512 Washer.....	8-15, 8-39, 8-81, 8-83, 8-91, 8-133, 9-5	60076065 Left front window lock.....	6-21
24000513 Washer.....	8-81	60078540 Rear Hood Gas Spring.....	7-3
24000514 Washer.....	8-83	60082164 Wrench Bolt.....	8-129
24000530 Bolt.....	7-9	60082912 O-ring.....	8-83
24000548 O-ring.....	4-11	60084608 HBY Seal Ring.....	8-135
24000630 Washer.....	7-9, 10-7, 12-11	60084610 HBY Seal Ring.....	4-11
24000632 Washer.....	6-5, 7-13, 7-15, 8-9, 8-81, 10-7	60084612 Seal ring.....	4-9
24000633 Washer.....	6-5, 6-15, 7-3, 7-9, 7-11, 8-9, 8-27, 8-29, 8-35, 8-39, 8-43, 8-45, 8-47, 8-53, 9-3, 10-3, 12-5, 12-7, 12-9, 12-11, 12-13	60086353 Wire Clamp.....	10-3
24000637 Washer.....	8-9, 8-133, 9-5	60086354 Clamp.....	10-3
24000639 Washer.....	5-3, 8-7	60086356 Gripper Clip.....	10-3
24000642 Washer.....	5-5	60086357 Clamp.....	10-3
24001153 Steel Ball.....	4-13	60107394 Seal ring.....	4-9
24002251 Screw.....	10-7	60111961 SET PLATE.....	8-127
29010015 O-ring.....	8-67	60111962 PLATE.....	8-127
60000846 O-ring.....	4-9, 4-11, 4-13, 8-135	60111963 FRICTION PLATE.....	8-127
60001295 Socket.....	11-5	60111964 VALVE PLATE.....	8-127
60012073 Nut.....	5-15	60111967 SPRING TUBE.....	8-127
60012803 Power Supply Harness.....	10-5	60111968 CYLINDER BLOCK.....	8-127
60013321 Terminal Group, Type A Battery Negative.....	10-5	60111970 PISTON SHOE ASSY.....	8-127
60013770 Compressor.....	8-11	60111971 SOCKET BOLT.....	8-129
		60111972 BALL GUIDE.....	8-127
		60111973 SHOE PLATE.....	8-127
		60111974 PARKING PISTON.....	8-127
		60111975 SHAFT.....	8-127
		60111976 BUSHING.....	8-127
		60114287 TAPER BEARING.....	8-127

60114799 Pressure Sensor.....	4-7, 8-17	60241302 Reducer Assembly.....	8-83
60121095 Rearview Mirror of Counterweight.....	6-3	60242103 RECEIVER DRIER ASSY.....	8-11
60122440 Rubber Hose.....	8-85	60243800 Rubber Hose.....	8-87
60136780 Dust ring.....	8-135	60244178 Clamp Spring.....	8-95
60136781 DKBZ3 Dust Ring.....	4-11	60244296 rubber hose.....	8-57
60136782 Dust ring.....	4-9	60246485 High Pressure Ball Valve.....	4-3, 4-5
60137563 Right Handle.....	8-33	60246486 High Pressure Ball Valve.....	8-93
60148482 Air Cleaner Sensor.....	12-7	60246545 Multifunctional Handle.....	8-15, 8-33
60153654 Right Support.....	11-9	60249819 Screw.....	8-81
60153665 Left Support.....	11-9	60250368 CST Seal Ring.....	4-13
60153693 Latch.....	11-7	60250370 seal ring.....	4-11
60153697 Handle.....	11-7	60250372 seal ring.....	8-135
60153713 Footing.....	11-7	60250374 CST Seal Ring.....	4-9
60153777 Upper Cover.....	11-7	60255074 Swing Drive.....	8-125
60153827 Tray.....	11-9	60255075 Swing Reducer.....	8-125
60165875 Pipe Fittings.....	4-3, 4-7	60255448 Hose assy-liquid no2.....	8-11
60166393 Split Flow Gear Pump.....	8-9	60256348 BODY.....	8-127
60166737 Support of Rearview Mirror (1).....	6-31	60256349 O-RING.....	8-129
60166738 Support of Rearview Mirror (2).....	6-31	60256350 ROLLER BEARING.....	8-127
60166748 Rearview.....	6-19	60256351 REAR COVER.....	8-129
60169729 Rubber Hose.....	8-45, 8-51	60256352 PIN.....	8-127
60170236 UP Guide Ring.....	8-135	60256353 O-RING.....	8-127
60183208 Rubber Hose.....	8-57	60256354 Relief v/v ass'y.....	8-129
60183934 Dust Ring.....	4-13	60256355 TIME DELAY VALVE.....	8-127
60186788 Filter, Hydraulic Tank Breather.....	8-137	60256356 O-RING.....	8-129
60187659 Hose Assembly.....	8-55	60256357 BACK UP RING.....	8-129
60190276 SENSOR ASS'Y-EVAP.....	8-13	60256358 O-RING.....	8-129
60190637 Acid Storage Battery.....	10-5	60256359 O-RING.....	8-127
60192112 UP Guide Ring.....	4-13	60256360 PLUG (PLASTIC).....	8-129
60192116 UP Guide Ring.....	4-9	60256361 O-RING.....	8-127
60192122 UP Dust Seal.....	4-11	60256362 O-RING.....	8-129
60192125 Anti-pollution loop.....	4-13	60256363 O-RING.....	8-129
60192128 UP Dust Seal.....	4-9	60256364 BACK UP RING.....	8-129
60193173 Power Line.....	10-3	60256365 NAME PLATE.....	8-127
60199495 Strip, Seal.....	9-11	60256366 BODY.....	8-129
60202196 Pipe connector.....	8-85	60256367 ANTI-ROTATING VALVE ASS'Y.....	8-129
60202198 Pipe connector.....	8-83	60256368 PLUG (PLASTIC).....	8-129
60206742 Level Sensor.....	12-11	60256369 WRENCH BOLT.....	8-127
60208748 DRAIN HOSE ASSY.....	8-11	60256370 OIL-SEAL.....	8-127
60209359 Rubber Hose.....	4-5, 4-7, 8-57	60256371 PLUG.....	8-127
60210924 WIRE HARNESS ASSY-EXT.....	8-13	60256372 O-RING.....	8-127
60210925 Duct pienum.....	8-11	60256373 O-RING.....	8-127
60211330 Filter.....	8-39	60256374 Pinion Shaft.....	8-131
60211508 Knob Switch.....	10-3	60256375 Case.....	8-131
60211509 Horn.....	10-7	60256376 Ring Gear.....	8-131
60212661 Damping Pad.....	12-15	60256377 CARRIER 2.....	8-131
60213152 CONTROL UNIT.....	8-11	60256378 PIN 2.....	8-131
60215138 dust ring.....	4-13	60256379 NEEDLE BEARING.....	8-131
60215139 dust ring.....	4-11	60256380 PLANET GEAR 2.....	8-131
60215140 dust ring.....	4-9, 8-135	60256381 SPRING PIN.....	8-131
60215882 evaporator assy.....	8-13	60256382 THRUST WASHER 2.....	8-131
60215883 Heater core assy.....	8-13	60256383 SUN GEAR 2.....	8-131
60215892 vavle assy.....	8-13	60256384 KNOCK PIN.....	8-131
60216322 blower motor assy.....	8-13	60256385 CARRIER 1.....	8-131
60222807 Charger.....	10-3	60256386 SUN GEAR 1.....	8-131
60225886 Screw.....	8-29	60256387 COLLAR 1.....	8-131
60228208 Rearview Mirror.....	7-5	60256388 PLANET GEAR 1.....	8-131
60235514 Taper Hole Plug.....	4-9	60256389 NEEDLE BEARING.....	8-131
60237031 Hydraulic Tank Breather Filter.....	8-81	60256390 THRUST WASHER 1.....	8-131
60238781 Washer.....	8-7	60256391 SNAP RING.....	8-131
60240503 Clamp.....	12-5	60256392 T/ROLLER BEARING.....	8-131

60256393 OIL SEAL	8-131	61016964 Oil Source Valve Repair Kit	8-63
60256394 T/ROLLER BEARING	8-131	61017908 Protective Sleeve	8-59
60256395 LOCK COLLAR	8-131	61017909 Valve Body	8-59
60256396 SPACER	8-131	61017910 Valve Bonnet	8-59
60256397 DUST SEAL	8-131	61017911 Cooperate	8-59
60256398 PLUG	8-131	61017912 Plate	8-59
60256399 SIDE PLATE	8-131	61017914 Crown Bar	8-59
60256400 BOLT	8-131	61017915 Protective Sleeve	8-59
60256401 THRUST WASHER 3	8-131	61017916 Connector	8-59
60256402 PLUG	8-131	61017917 Top Cover	8-59
60256403 GAGE PIPE	8-127	61017918 Inner hexagon screw	8-59
60256404 LEVEL BAR	8-127	61017919 Combination cushion circle	8-59
60266027 Reducer assembly Repair kit	8-125	61017921 Spring Seat	8-59
60272781 Screw	8-97	61017922 Spring	8-59
60281974 Pilot Valve	8-25	61017923 Spring	8-59
60283261 Seal	8-101	61017924 Gasket	8-59, 8-73
60291408 Hose pipe liq no2	8-11	61017925 Valve Rod	8-59
60310282 Water Jet ASSY	6-23	61017927 Flexible Cylindrical Pin	8-59
60312821 upper framework	6-7	61017928 Cardan joint	8-59
60312822 lock board	6-7	61017929 Bushing	8-59
60312823 rotating shaft	6-7	61017930 Leading valve maintenance	8-59
60312824 lower framework	6-7	61020122 engine	12-3
60312825 Gas spring	6-7	61020171 LS pressure relief valve	8-101
60312826 lock	6-7	61020172 Flow Valve	8-101
60312827 control lever	6-7	61020204 Throttle block	8-117
60312828 handle	6-7	61022402 Master Switch of Power Supply	10-5
60312831 framework	6-9	61023521 GBRT2 Retaining Ring	4-9
60328846 Driver Cab Seat	6-5	61023522 GBRT2 Retainer Ring	8-135
60330154 Joint Valve	8-11	61025254 Bolt, Socket Head	8-77
60331673 Button Switch	12-13	61025255 Solenoid Valve	8-77
60336531 Filter Fuel Oil	11-3	61025256 Valve Block	8-77
60337293 Grease Fitting	9-13	61026462 Cab assembly	6-3
60338861 Rubber gasket	8-101	61028836 Air Condition	8-9
60342181 Electromagnetic Reversal Valve	8-35	61029433 Rubber Hose	8-15
60348929 Drain Oil	11-3	61029435 Rubber Hose	8-15
60349315 Wiper Blade	6-33	61029436 Rubber Hose	8-53
60354496 Pilot-control Valve	8-15, 8-33	61029438 Rubber Hose	8-47
60355379 Fuel Tank Cap	12-11	61029439 Rubber Hose	8-93
60356164 Element	11-3	61029443 Rubber Hose	4-5, 4-7
61000539 Check And Metering Valve	4-5	61029444 Rubber Hose	8-45
61009983 Suction hose	8-11	61029451 Rubber Hose	8-89
61009985 HOSE ASSY-DISCHARGE	8-11	61029453 Rubber Hose	8-93
61010369 Rubber Hose	4-5, 4-7	61029454 Rubber Hose Assembly	8-93
61010372 Rubber Hose	4-7	61029457 Hose	8-89
61016944 Mhste Housing	8-63	61029458 Rubber Hose	8-89
61016945 Electromagnetic Valve	8-63	61029459 Rubber Hose	8-89
61016946 Coil	8-63	61029460 Rubber Hose	8-89
61016947 Accumulator	8-63	61029461 Rubber Hose	4-5, 4-7
61016948 Accumulator Connector	8-63	61029469 Rubber Hose	8-91
61016950 Ball	8-63	61029470 Rubber Hose	8-91, 8-93
61016951 Return Spring	8-63	61029598 Driving wheel	9-7
61016953 Plug	8-63	61029600 Tensioning Equipment	9-7
61016954 Reducer Spool	8-63	61029601 Rubble Track	9-7
61016955 Reducer Hosing	8-63	61030441 Fuel Pump	12-13
61016956 Cone	8-63	61030659 Bluetooth Radio	10-7
61016958 Spring Washer	8-63	61030736 Radiator ZH610*110*600 - S38Y20Q/ SY015028	12-5
61016959 spring	8-63	61031961 Rubber Hose	8-95
61016960 Plug	8-63	61032515 Hoop of Pipe	12-5
61016961 spring	8-63	A210110000034 Bolt	5-9
61016962 Servo piston spring	8-63	A210110000205 Bolt	9-3
61016963 Plug	8-63		

A210110000233 Bolt	9-3	A210208000008 Screw	4-9
A210110000239 Bolt	8-139	A210210000002 Screw	10-7
A210110000456 Bolt	8-139	A210210000030 Screw	6-11, 6-13, 10-5
A210111000012 Bolt	7-9, 8-5, 8-9, 9-5, 9-7, 10-3, 12-5	A210307000014 Nut	7-11
A210111000024 Bolt	6-5, 6-15, 7-3, 8-5, 12-7, 12-15	A210307000015 Nut	7-9, 8-61, 8-69
A210111000025 Bolt	7-7	A210307000016 Nut	12-13
A210111000053 Bolt	5-3, 5-5	A210307000028 Nut	5-5, 5-9, 6-15, 8-7, 12-15
A210111000079 Bolt	6-5, 7-13, 7-15	A210307000036 Nut	6-11, 6-13, 7-5, 8-71, 10-5, 12-7
A210111000081 Bolt	12-9	A210307000055 Nut	9-3
A210111000082 Bolt	8-9	A210404000003 Washer	7-7
A210111000094 Bolt	4-5, 4-7	A210405000004 Washer	6-11, 6-13
A210111000098 Bolt	8-9	A210405000011 Washer	9-7
A210111000101 Bolt	7-5, 12-5	A210414000003 Retainer Ring	6-7
A210111000106 Bolt	9-7	A210414000011 Retainer Ring	6-17
A210111000195 Bolt	7-5	A210417000005 Retainer Ring	8-135
A210111000197 Bolt	6-5, 6-11, 6-13, 7-3, 7-7, 7-13, 8-5, 8-81, 12-9	A210417000006 Retainer Ring	4-11
A210111000199 Bolt	9-3	A210417000075 Retainer Ring	4-9, 8-135
A210111000202 Bolt	5-3, 8-5, 9-7	A210417000103 Retainer Ring	4-9
A210111000203 Bolt	7-3	A210417000109 Retainer Ring	4-13
A210111000205 Bolt	5-7, 8-7	A210434000011 Washer	4-9, 4-11, 4-13, 8-135
A210111000208 Bolt	9-7	A210444000001 Washer	9-7
A210111000210 Bolt	12-15	A210444000004 Washer	8-139
A210111000212 Bolt	8-81, 9-5	A210491000007 Pin	7-3
A210111000240 Bolt	6-5	A210491000118 Washer	6-15, 8-7, 9-7, 12-15
A210111000263 Bolt	5-5	A210491000120 Washer	6-5, 6-11, 6-13, 7-3, 7-7, 7-9, 7-13, 8-5, 8-15, 8-39, 12-5, 12-7, 12-9, 12-15
A210111000293 Bolt	4-3, 12-7	A210491000121 Washer	7-3, 8-5, 9-3, 9-7
A210111000297 Bolt	12-15	A210491000122 Washer	8-139
A210111000301 Bolt	5-15	A210491000132 Washer	9-3
A210111000323 Bolt	6-15, 8-9	A210510000010 Rivet	8-97
A210111000342 Bolt	6-5, 8-31, 8-35, 8-39, 9-3, 12-5, 12-11	A210608000002 O-ring	4-11
A210111000343 Bolt	4-7, 6-5, 7-5, 7-11, 8-9, 8-43, 10-3, 12-7, 12-9, 12-13	A210608000012 O-ring	4-9
A210111000366 Bolt	5-5	A210608000015 O-ring	8-103, 8-107
A210204000116 Screw	12-11	A210608000054 O-ring	8-101, 8-103, 8-105, 8-107, 8-109, 8-111, 8-113, 8-115, 8-117, 8-119, 8-121
A210204000129 Screw	8-23, 8-25	A210608000068 O-ring	4-13
A210204000130 Screw	12-13	A210608000074 O-ring	4-9, 4-11, 8-135
A210204000131 Screw	8-33	A210608000093 O-ring	4-13
A210204000133 Screw	8-97	A210608000097 O-ring	8-73
A210204000181 Screw	6-31	A210609000003 O-ring	8-135
A210204000196 Screw	4-9, 4-13, 8-39, 8-135	A210609000007 O-ring	8-135
A210204000202 Screw	4-11	A210609000123 O-ring	4-9
A210204000220 Screw	8-35, 8-45, 8-47, 8-53	A210609000132 O-ring	8-67
A210204000232 Screw	8-81, 8-97	A210609000133 O-ring	8-67
A210204000235 Screw	8-75	A210609000166 O-ring	4-13
A210204000268 Screw	8-97	A210609000273 O-ring	12-11
A210204000271 Screw	8-27	A210661000016 Steel Ball	4-11, 8-135
A210204000312 Screw	8-83	A210770000615 Fitting, Elbow	8-81
A210204000334 Screw	12-5	A210804000002 Oil Cup	4-11, 4-13, 5-5, 5-9, 8-5, 8-135
A210204000337 Screw	8-81	A210855000012 Throat Collar	8-9
A210204000338 Screw	4-3	A210855000014 Hose Hoop	8-9
A210204000339 Screw	12-7	A210855000052 Clamp, T-type	8-81
A210204000342 Screw	4-3, 4-5	A220401000295 One-Way Valve	8-83
A210204000345 Screw	8-91	A220401000334 One-way Valve	8-85
A210204000353 Screw	8-81	A222100000119 Pilot Hydraulic Oil Filter	8-67
A210204000354 Screw	8-83	A222200000012 Door Lock	7-9
A210204000356 Screw	4-3, 4-7	A222200000103 Bonnet Lock	7-13, 7-15
A210204000360 Screw	4-3, 4-7	A229900000882 Valve	12-9
A210206000003 Screw	4-11	A229900001027 Plate	8-33
A210206000004 Screw	8-135	A229900001345 Clamp	12-5

A229900001398 Rear-view Mirror Assy	6-31	A820102010782 Spacer	5-5, 5-7
A229900001700 Bolt M8×100 (Gb5782) Grade 10.9	12-9	A820102010783 Shim	5-7, 5-9
A229900002031 Clamp, T-type	12-7	A820102010784 Shim	5-9
A229900003759 Clamp, T-type	12-7	A820202004034 Bush	5-3, 5-5, 9-5
A229900004825 Liquid Reserve Tank	12-5	A820202004035 Bush	5-7
A229900005517 Leading Wheel Sy70-154Y-00	9-7	A820202005318 Shaft Sleeve	5-13
A229900010158 Oil Cup	4-9	A820202005319 Shaft Sleeve	3-3
A229900010160 Pipe Connector	4-7, 8-17, 8-79	A820202005320 Shaft Sleeve	3-3, 5-17
A230101000243 O-ring	8-57, 8-83, 8-85	A820202005321 Shaft Sleeve	5-17
A230101000244 O-ring	8-83	A820202005473 Clamp, Pipe, Rubber	4-3, 4-7
A230101000247 O-ring	8-47, 8-83	A820205000838 Joint	8-57
A230101000323 Seal Ring	9-5	A820205000858 Fitting	4-3, 8-5
A230106000398 Triangular Belt	8-9	A820205000894 Fitting	8-83
A240700000548 Pressure Relay	8-15	A820205000944 Relay Adaptor	8-15
A241200001217 Ignition Switch	10-3	A820205001027 Screw Plug	8-57
A241300000059 Fuse	10-7	A820205001061 Pressure Sensor Connector	4-7, 8-17
A250100000174 Liquid Level Thermometer	8-133	A820205001334 End Straight Adapter	8-83
A260401010025 Socket	11-5	A820205001655 Pipe Connector	8-47
A260401010027 Socket	11-5	A820205002352 Joint, G3/4-M36	8-83
A260401010029 Sleeve 34×20Gb3390.1-04	11-5	A820205002377 Fitting	8-83
A260401010051 Sleeve	11-5	A820205002378 Connector	8-85
A260401010063 Socket	11-5	A820205002464 Connector	8-83, 8-85
A260401010092 Connecting Rod	11-5	A820205002468 Connector	8-83, 8-85
A260401020004 Wrench, Allen	11-5	A820208000293 Bushing	9-9
A260401020009 Wrench, Allen	11-5	A820301015908 Double-threaded Stud	10-5
A260401020010 Wrench, Allen	11-5	A820301021346 Axial Pin With Hole	5-9
A260401020011 Wrench, Allen 8RgB5356	11-5	A820301021347 Axial Pin With Hole	5-9
A260401030005 Spanner, Double-ended	11-5	A820301021349 Axial Pin With Hole	5-9
A260401030007 Spanner, Double-ended	11-5	A820601990929 Decal, Drain, Fuel Tank	2-7
A260401030028 Double Open-end Wrench	11-5	A820601990961 Decal Instruction Operation	2-5
A260401030100 Wrench, Box End	11-5	A820601991049 Counterweight Warning Board	2-3
A260401040004 Adjustable Spanner	11-5	A820603000246 Forward Direction Indication	2-3
A260401090010 Wrench Ratchet	11-5	A820606030056 Grommet	6-15
A290000000155 Portable Toolbox	11-5	A820606030364 Gasket	8-7
A290000001564 Nozzle Protective Cap	4-11	A820606030917 Protective Sleeve	9-3
A290000002660 Nozzle Universal Protective Cap	4-9, 4-13, 8-135	A820606030920 Protective Sleeve	9-3
A311141609016 Bolt	8-7	A831213035000 Rubber Hose	8-53
A810201011303 Oil Return Cover	8-133	A831213105000 Rubber Hose	8-51
A810312019061 Rigid Board	5-3	A880801010041 Center Swivel Joint	4-13
A810312090019 Left Jiggle Bar	5-9	A880802010064 O-ring	5-9
A810312090020 Right Jiggle Bar	5-9	A880804040052 Retainer Ring	4-11, 4-13
A810312110098 Roll, Pin	5-7	A880809020008 Bushing	4-9
A810312110099 Roll, Pin	5-7	A880809020009 Bushing	4-11
A810312110104 Roll, Pin	5-5	A880899010003 Straight-through Pressure Oil Cup	4-11
A810312110118 Roll, Pin	9-5	A880899030000 Steel Ball	4-9
A810312110119 Roll, Pin	9-5	Accessories	1-3
A810312990208 Shim	5-3, 5-5, 8-7	Air Condition	8-3
A810312990209 Shim	5-3, 5-5, 8-7	air intake& exhaust system	12-3
A810502019056 Set Screw	6-7, 6-25, 7-3	B210399000001 Screw Plug	8-67
A820101050797 Decal, Danger, Smoke Or Fire Forbidden	2-5	B210780000024 Elbow Combination Fitting	8-35, 8-39, 8-83
A820101117871 Cover	8-7	B210780000025 Elbow Combination Fitting	8-83
A820101118440 Door-shaft seal	7-9	B210780000028 Elbow Combination Fitting	8-81
A820101343428 Cover Plate	9-3	B210780000030 Fitting, Elbow	8-95
A820101343429 Shim	9-3	B210780000107 End Straight Adapter	8-81
A820101343843 Seat connecting	6-5	B210780000142 Fitting	8-21
A820102010779 Spacer	5-3, 5-5	B210780000157 Bulkhead Connector	4-3, 4-7
A820102010780 Spacer	5-3, 5-5	B210780000170 Three Way Combination Joint	4-7, 8-15, 8-17, 8-19, 8-29, 8-35, 8-41, 8-79
A820102010781 Spacer	5-5, 5-7		

B210780000176 Fitting.....	4-5, 8-15, 8-19, 8-23, 8-25, 8-27, 8-29, 8-31, 8-35, 8-41	B230103004706 Rubber Hose	8-53
B210780000180 Adapter Fitting	8-85	B230103004707 Rubber Hose	8-53
B210780000184 Fitting.....	8-93	B230103005265 Hose	8-55
B210780000195 Bulkhead Connector.....	4-7	B230103005492 Hose Assembly.....	8-51, 8-79
B210780000418 Elbow Combination Connector..	4-3, 4-5, 4-7, 8-15, 8-17, 8-19, 8-21, 8-25, 8-27, 8-29, 8-31, 8-35, 8-37, 8-47, 8-79	B230103007051 Hose	8-53
B210780000421 Connector	8-85	B230103007523 Rubber Hose	8-47, 8-57
B210780000693 Split Flange	8-81	B230103007877 Hose AS.....	8-87
B210780000838 Elbow Combination Fitting	8-83	B230103008442 Hose, rubber.....	8-89
B210780000847 Fitting.....	8-29, 8-35	B240200000059 Emergency Button	10-7
B210780001045 Fitting Components....	4-7, 8-15, 8-17	B260401090024 Belt Spanner.....	11-5
B210780001241 Fitting, Elbow.....	8-81, 8-83	B260409000015 High Pressure Manual Grease Gun	11-5
B210780001310 Elbow Combination Fitting	8-83, 8-85, 8-93	Bottom board rack	6-3
B220400000169 Valve, Shuttle, Tee	8-15, 8-17	Cab assembly	1-3
B222100000201 Fuel Filter (Excavator).....	12-11	coating	1-3
B222100000593 Main Cartridge of Air Cleaner...	11-3	Cooling system	12-3
B222100000599 Air Cleaner	12-7	Counterweight	8-3
B222100000686 Oil Filter	11-3	Cover group.....	1-3
B229900000245 Cab Shock Absorber	6-15	ELECTRICAL SYSTEM.....	1-3
B229900001059 Clamp, T-type.....	12-7	Fill pump system	12-3
B229900003909 Sensor Adaptor of Air Cleaner	12-7	fuel system	12-3
B230101000038 O-ring	8-81	hydraulic main pipeline	8-3
B230101000039 O-ring	4-13	HZZ004698661 slewing ring	9-3
B230101000047 O-ring	8-15, 8-17, 8-19, 8-33, 8-79	Lines GP, hydraulic, auxiliary.....	1-3
B230101000049 O-ring	8-83	Pilot Pipeline	8-3
B230101000050 O-ring	8-83, 8-85, 8-95	Pilot Pipeline I	8-3
B230101000090 O-ring	4-3, 4-5, 4-7, 8-83, 8-85, 8-87	Power system	1-3
B230101000356 O-ring	8-133, 12-11	sealing board assembly	8-3
B230101000464 Dust ring-ME-2 100A.....	8-5	seat and control cabinet.....	6-3
B230101000581 O-ring	8-101, 8-103, 8-105, 8-107, 8-109, 8-111, 8-113, 8-115, 8-117, 8-119, 8-121	SSY004594815 mounting plate	8-5
B230101000614 O-ring	8-133	SSY004676971 Connecting flange	12-15
B230101001118 Dust Ring.....	5-3, 5-5	SSY004680859 cover.....	5-5
B230101001119 Dust Ring.....	5-9	SSY004726777 Dozer Blade Assembly	9-5
B230101002163 Oil-Bearing Bush.....	4-13	SSY004737095 Vibration isolator Sponge.....	8-5
B230101002165 Seal Ring	4-13	SSY004862431 Air inlet pipe.....	12-7
B230103000353 Pipe	8-87	SSY004862434 steel tube before air filter	12-7
B230103000768 hose	8-15	SSY004897428 support.....	5-3
B230103000789 Rubber hose.....	8-87	SSY005009540 Arm.....	1-3
B230103000886 Hose Assembly.....	8-53	SSY005034347 Boom	5-5
B230103000939 Rubber Hose	8-53	SSY005084320 Bent plate	9-7
B230103000980 Rubber Hose	8-47, 8-51	SSY005084347 Bent plate	9-7
B230103000983 Hose Assembly.....	8-51, 8-87	SSY005088792 FOPS & ROPS Card	2-3
B230103000995 Rubber Hose	8-45	SSY005097938 Support of reaview mirror.....	6-3
B230103001231 Hose	8-87	SSY005200100 Battery Cover.....	10-5
B230103001586 Rubber Hose	8-87	SSY005288112 Control Indicating Board of Bulldozing Shovel.....	2-5
1Sn25-Dkol-Dkol90-680	8-95	SSY005683556 auxiliary piping coating 1.....	2-3
B230103002113 Hose	8-79	SSY005683582 auxiliary piping coating 2.....	2-3
B230103002114 Hose	8-49, 8-79	SSY005817816 inhibiting device	7-5
B230103002358 Rubber Hose	8-47	SSY006686006 Door, GP, right	7-11
B230103002712 Rubber Hose	8-47	SSY006687049 Door, GP, right	7-3
B230103003046 Rubber Hose	4-3	Superstructure Assembly	1-3
B230103004523 Rubber hose 1SN6-DKOL-300 (with 0.25m pl	8-53	SYG004685490 shaft sleeve.....	8-135
B230103004673 Rubber Hose	8-89	SYG005099839 Bumper Sleeve.....	4-11
		SYG005426766 Guide Sleeve.....	8-135
		transmission & shock mitigation system	12-3
		Travel device hydraulic system.....	9-3
		Traveling system	1-3
		Work device.....	1-3