

# Каталог запасных частей Sany SY135

**SY135C9I3K(US).0**

**Hydraulic Excavator**

---

Equipment No. **SY0130CB35958**

wangh2645 2021-10-09

wangh2645 2021-10-09

wangh2645 2021-10-09

wangh2645 2021-10-09

wangh2645 2021-10-09

wangh2645 2021-10-09

wangh2645 2021-10-09

wangh2645 2021-10-09

wangh2645 2021-10-09

wangh2645 2021-10-09

wangh2645 2021-10-09

wangh2645 2021-10-09

## Overview

This book provides illustrations and parts listings required to properly identify and order replaceable parts on your Sany machine.

If this book becomes damaged, lost or illegible, request a replacement copy from your Sany distributor.

In case you sell this machine, be sure to give this parts book to the new owner.

Improvements in the design may lead to changes in detail which may not be indicated in this book. Always consult your Sany distributor for the latest available information on your equipment or if you have questions regarding information in this book.

## Storing this parts book

This publication applies only to this specific machine and should not be used with any other machines.

Always keep this book available for reference.

## Contact Details

Sany Industrial Park, Economic and Technology Development Zone, Kunshan, Jiangsu, China 215300

Service Hotline: 4008 28 2318

E-mail: [crd@sany.com.cn](mailto:crd@sany.com.cn)

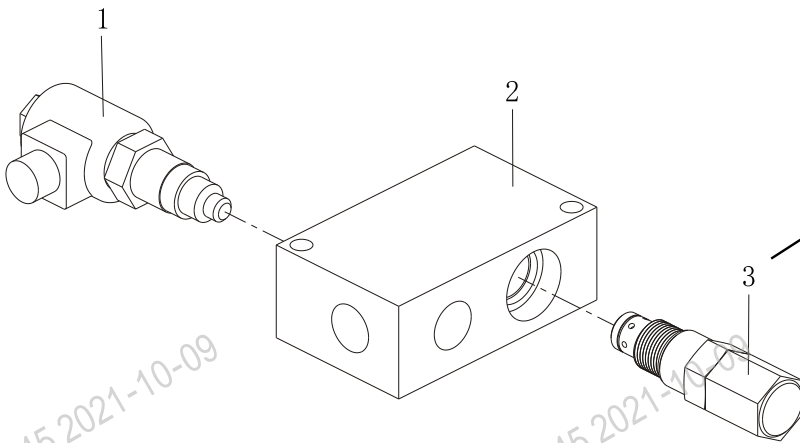
Website: <http://www.sanyglobal.com>

## Sany Group Service Information System

<http://sis.sanygroup.com>

A810201021318 Switch Valve Assembly

Page header with parts code, and parts description



Line-art illustration with  
callout numbers

Page footer with page number, chapter title, machine model and product name



Page header with parts code, and parts description

INDEX: that matches  
callout numbers on previous  
illustration page

SEE PAGE: for page information  
of the part or assembly

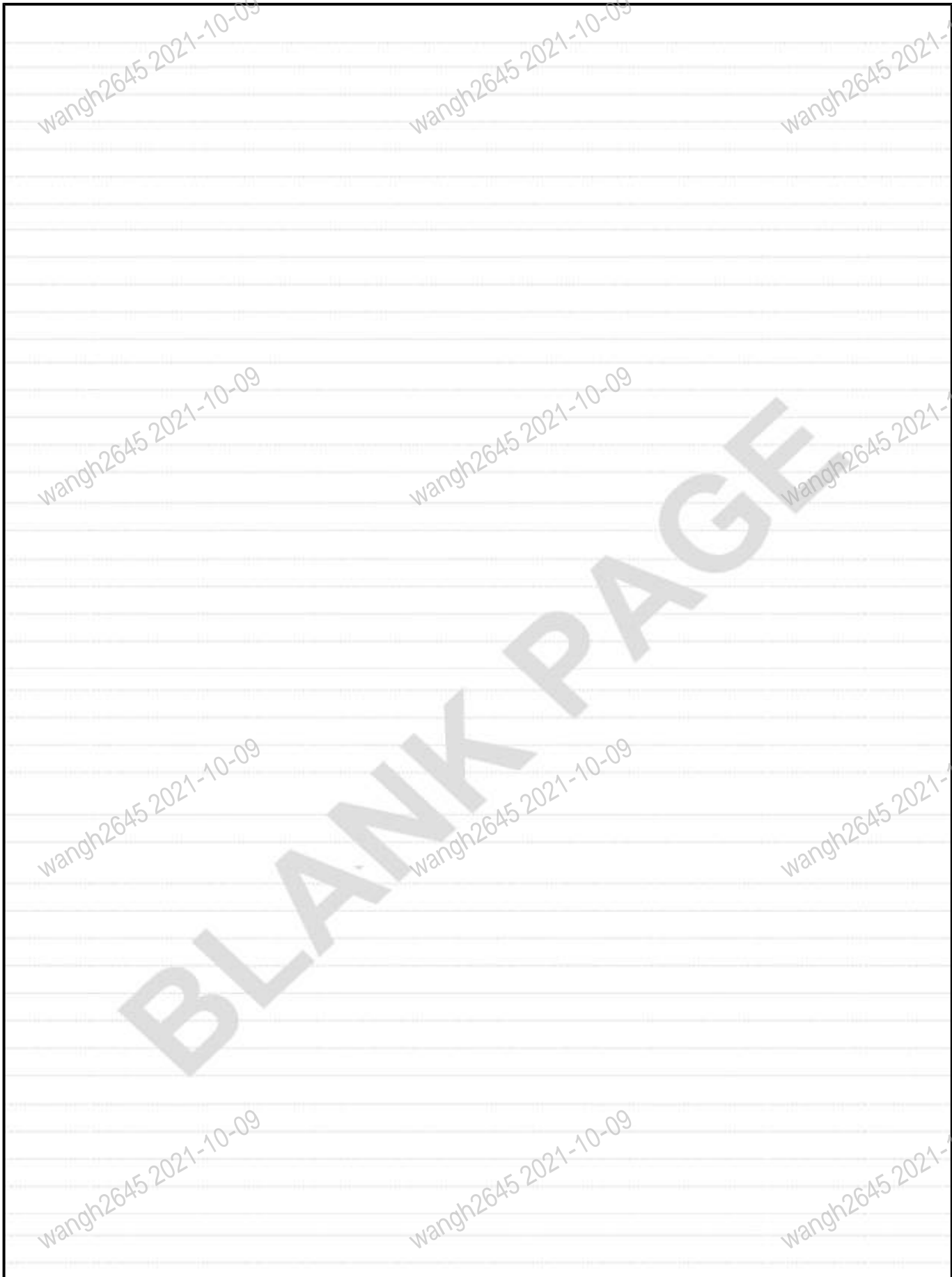
INDEX	PART NO.	DESCRIPTION	QTY	SEE PAGE
1	B220401000459	Valve Assembly, Solenoid	1	
2	A820103010415	Change Valve Block, Cooling Oil Motor	1	
3	B220400000083	Relief Valve	1	

PART NO.: to be used along  
with DESCRIPTION to identify  
the part or assembly

DESCRIPTION: to be used  
along with PART NO. to  
identify the part or assembly

QTY: it indicates the  
number of each part  
used in this assembly

Page footer with page number, chapter title, machine model and product name



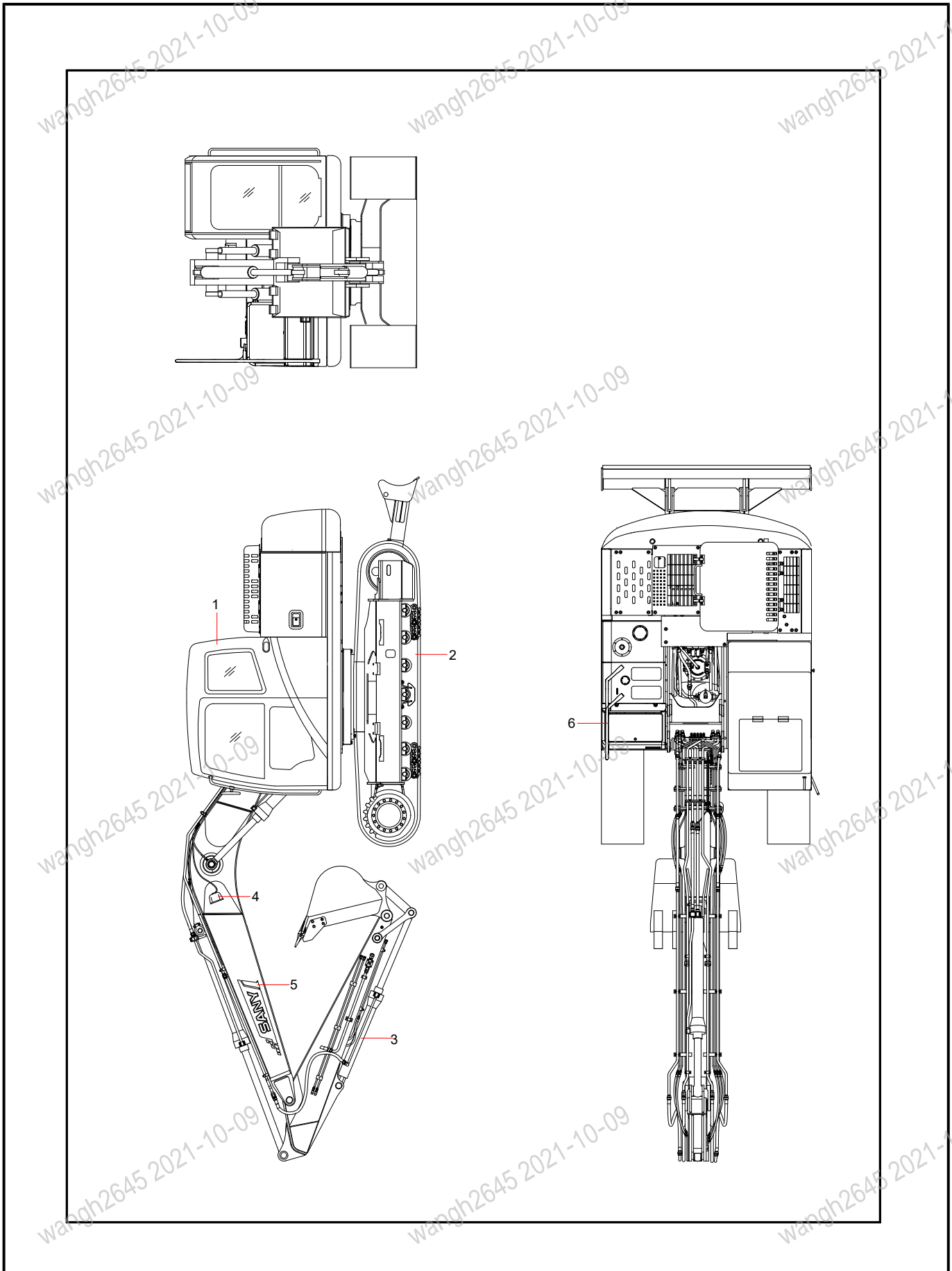
# Table of Contents

<b>Group 1 SY135C9I3K(US) hydraulic crawler excavator body</b> .....	<b>1-1</b>
13822616 SY135C9I3K(US) hydraulic crawler excavator body .....	1-2
<b>Group 2 slewing device</b> .....	<b>2-1</b>
13840903 slewing device .....	2-2
13838379 Hydraulic main pipeline .....	2-4
60291704 Plunger Pump.....	2-12
60251677 Multi-way valve.....	2-18
60237031 Breather Valve .....	2-36
13595457 hydraulic fuel tank assy.....	2-38
13050479 Power system .....	2-40
13077998 Damping and transmission system .....	2-42
13444513 Cooling system .....	2-44
60259235 expansion tank .....	2-46
60233820 Radiator .....	2-48
13444515 Intake and Exhaust System.....	2-50
B222100000458 Air cleaner.....	2-54
13444518 Fuel system assembly.....	2-56
B222100000560 Oil Filter.....	2-60
13605252 fuel tank assembly .....	2-62
13838335 pilot rube hose .....	2-64
13838251 PPC pipeline .....	2-66
60170604 Travelling Pilot Valve .....	2-70
60214001 Pilot-control Valve .....	2-76
60247936 Pilot Valve.....	2-78
13838265 Sensor Transition Pipeline.....	2-80
13838273 Main Valve Pipeline .....	2-94
13838275 Electromagnetic valve pipeline .....	2-104
60136331 Solenoid Valve Group.....	2-120
60123424 Manual Commutating Valve.....	2-122
13838276 Main pump pipeline .....	2-124
60211330 Filter.....	2-126
14469219 Cab.....	2-128
60348058 Cab.....	2-130
13036476 Electric System, Cab .....	2-146
60351888 Wiper assembly system .....	2-154
60308316 cab door assem.....	2-156
60351886 Front window assembly.....	2-158
12934780 Running Control Mechanism.....	2-160
11640080 seat and control cabinet.....	2-162

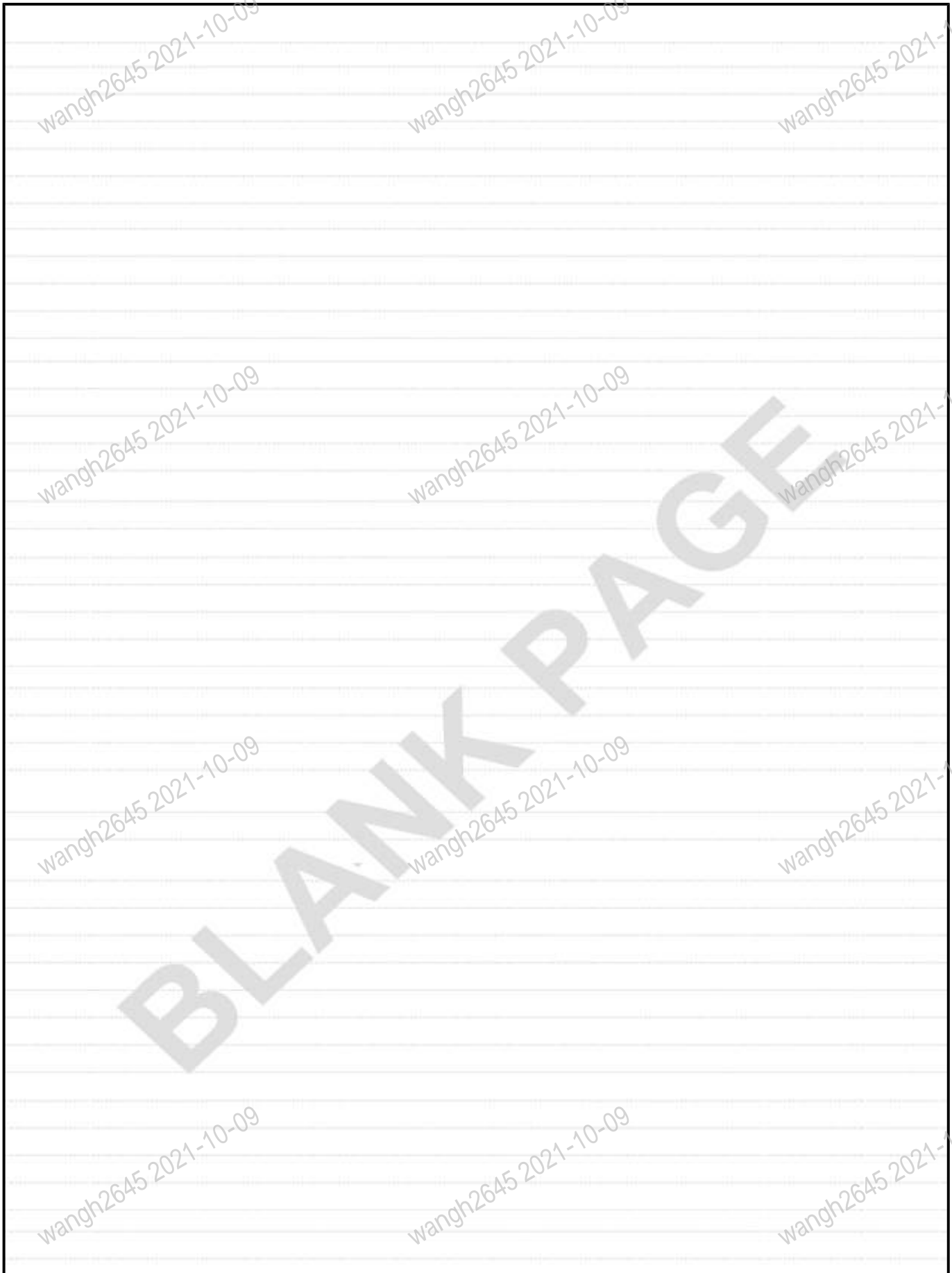
A229900007792 Left armrest box assembly .....	2-164
12935011 Bottom board rack of cab .....	2-166
13592841 General assembly of covering parts .....	2-168
A810599001056 hand rail .....	2-174
12239518 front engine hood assembly .....	2-176
13828119 Right Door Assy. ....	2-178
13828152 Right Door Assy. ....	2-180
13531517 bonnet assy .....	2-182
11991710 Guard of battery .....	2-184
13840366 air conditioning .....	2-186
60168171 Assembly, Air Conditioner .....	2-190
13439736 Counterweight assembly .....	2-192
12731217 general assembly of bottom sealing board .....	2-194
<b>Group 3 Travel device .....</b>	<b>3-1</b>
10811483 Travel device .....	3-2
131903020002B Tensioning Equipment .....	3-10
60101815 reducer assembly .....	3-12
11786631 crawler assembly .....	3-14
A810401990268 Slewing ring AS .....	3-16
10835684 Slewing ring .....	3-18
11281501 Bulldozing shovel oil cylinder .....	3-20
<b>Group 4 Work device .....</b>	<b>4-1</b>
13837712 Work device .....	4-2
13837626 Work Device Tube .....	4-8
60024871 Right Boom Cylinder .....	4-12
60024870 Bucket Oil Cylinder .....	4-14
60024872 Left Boom Cylinder .....	4-18
14311361 bucket assembly .....	4-20
SSY004726160 Connecting Rod .....	4-22
SSY004835007 fasten component .....	4-24
<b>Group 5 Electrical system .....</b>	<b>5-1</b>
13827386 Electrical system .....	5-2
<b>Group 6 coating .....</b>	<b>6-1</b>
13256588 coating .....	6-2
<b>Group 7 Attached tools and parts .....</b>	<b>7-1</b>
14465442 Attached tools and parts .....	7-2

# Group 1

## SY135C9I3K(US) hydraulic crawler excavator body

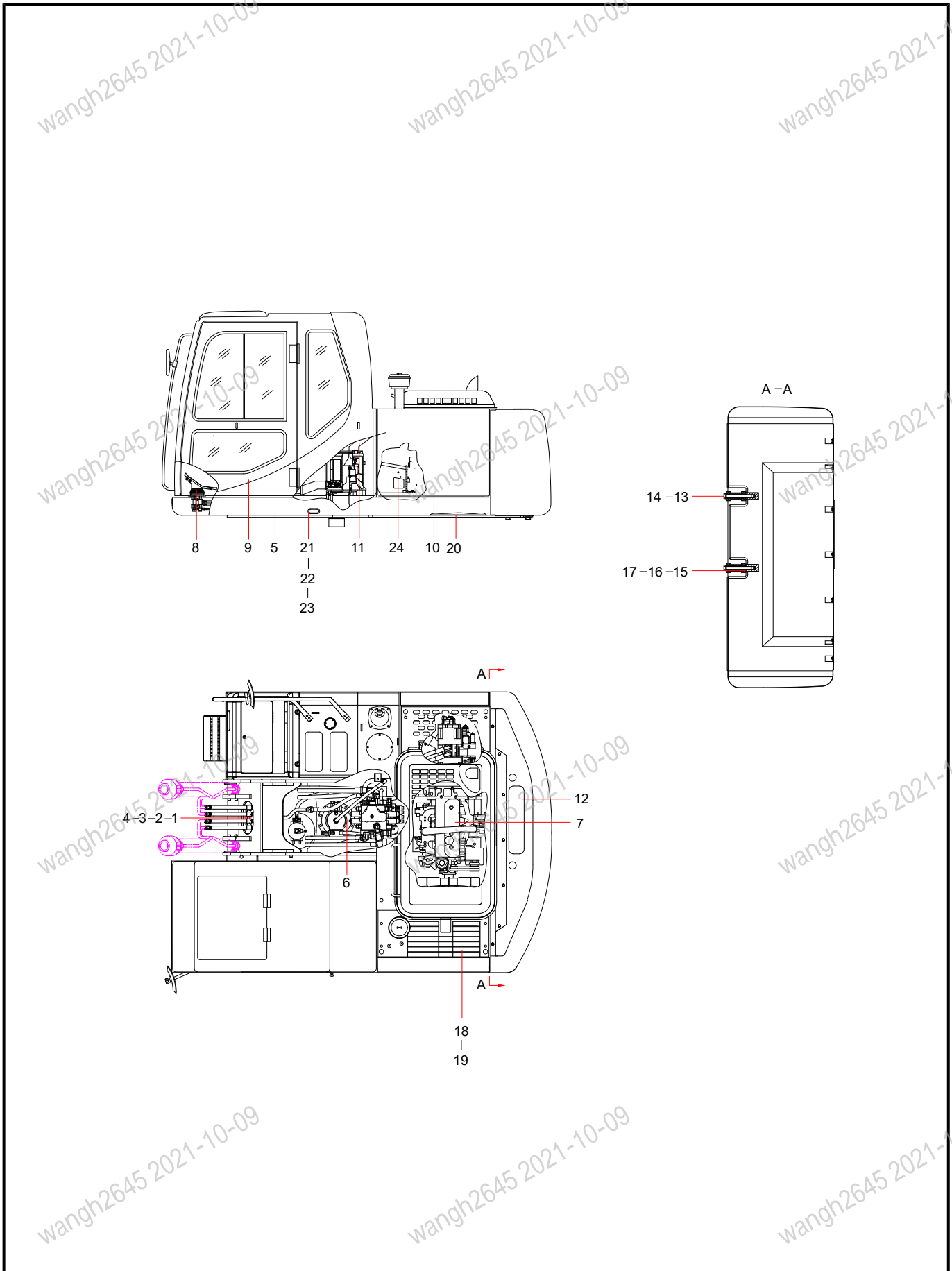


INDEX	PART NO.	DESCRIPTION	QTY	SEE PAGE
1	13840903	slewing device	1	2-2
2	10811483	Travel device	1	3-2
3	13837712	Work device	1	4-2
4	13827386	Electrical system	1	5-2
5	13256588	coating	1	6-2
6	14465442	Attached tools and parts	1	7-2

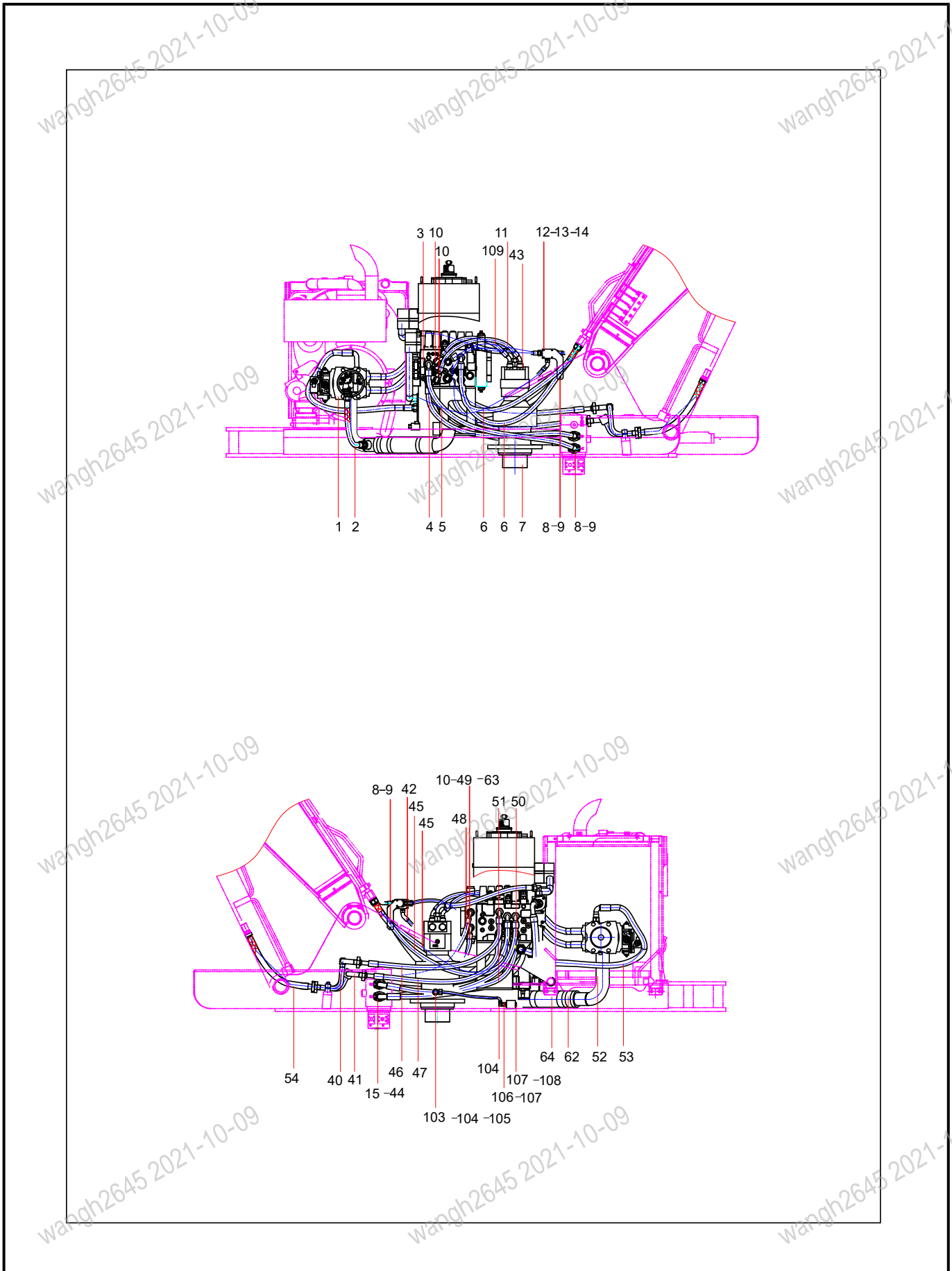




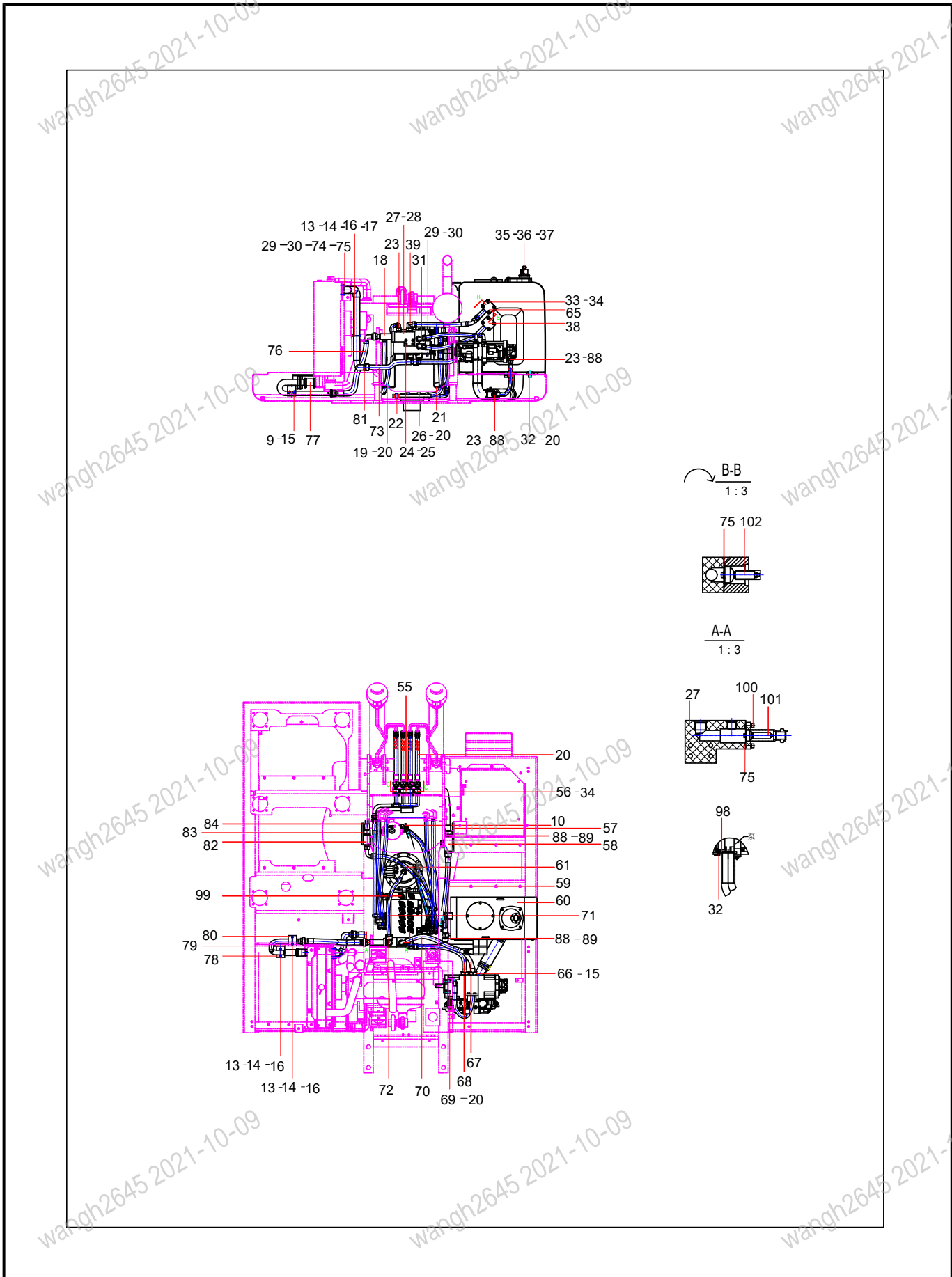
# Group 2 slewing device



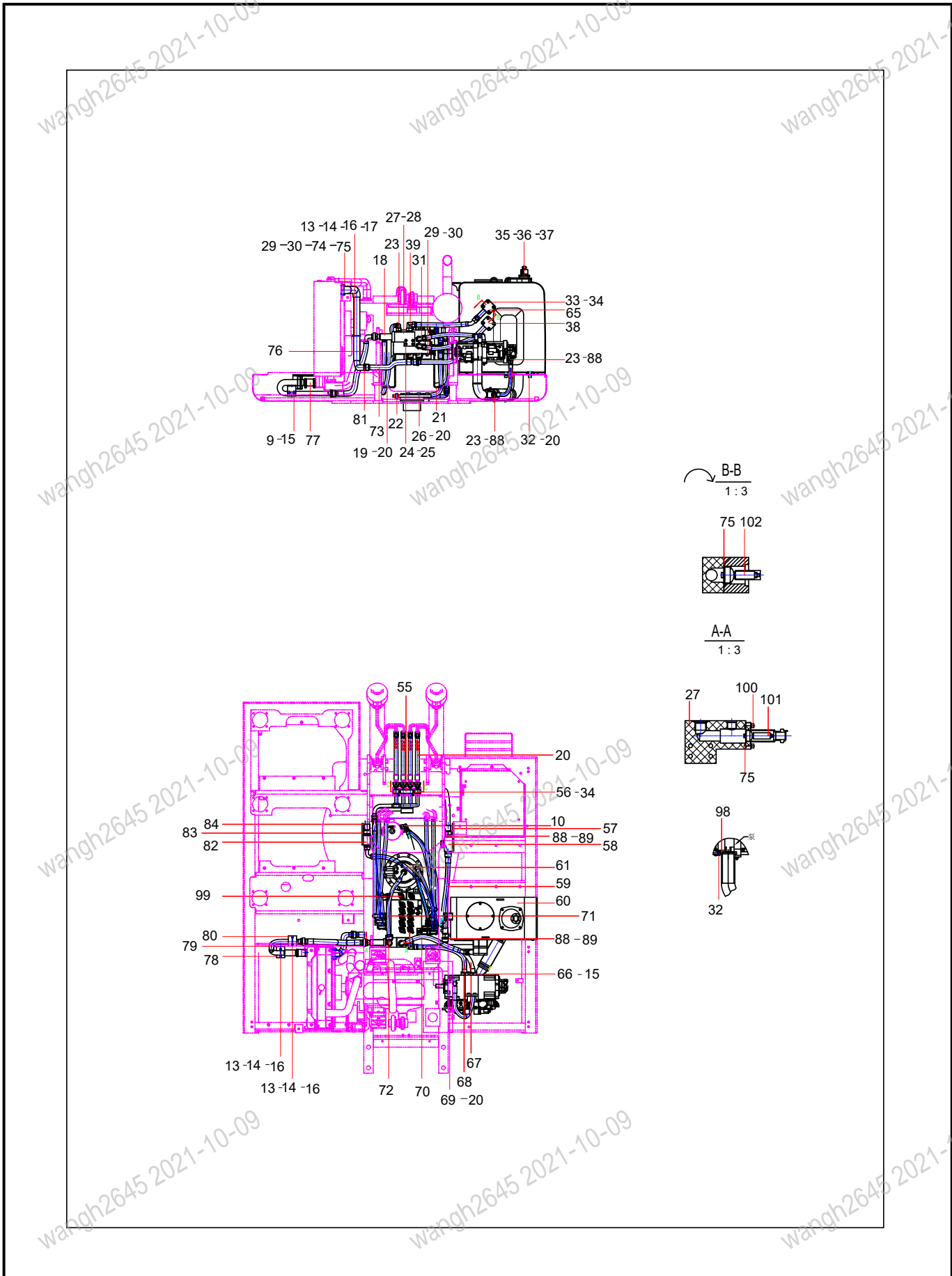
INDEX	PART NO.	DESCRIPTION	QTY	SEE PAGE
1	A820606030364	Gasket	1	
2	A820101117871	Cover	1	
3	A210111000202	Bolt	2	
4	A210405000001	Washer	2	
5	13835467	revolving frame	1	
6	13838379	Hydraulic main pipeline	1	2-4
7	13050479	Power system	1	2-40
8	13838335	pilot rube hose	1	2-64
9	14469219	Cab	1	2-128
10	13592841	General assembly of covering parts	1	2-168
11	13840366	air conditioning	1	2-186
12	13439736	Counterweight assembly	1	2-192
13	A210110000448	Bolt M27×240Gb5782 Grade 10.9	4	
14	A210444000004	Washer	4	
15	A820101327187	shim	2	
16	11664456	adjusting spacer	4	
17	11664457	adjusting spacer	4	
18	A820101210711	Washer	8	
19	A820101210712	Washer	8	
20	12731217	general assembly of bottom sealing board	1	2-194
21	11225691	Protective Sleeve	2	
22	12738042	Protective sleeve	3	
23	12738050	Protective sleeve	4	
24	11133774	Protective Sleeve	2	



INDEX	PART NO.	DESCRIPTION	QTY	SEE PAGE
1	60291704	Plunger Pump	1	2-12
2	B230103002256	Hose	1	
3	60251677	Multi-way valve	1	2-18
4	B230103006440	Rubber Hose	1	
5	60331626	rubber hose	1	
6	B230103003627	Rubber Hose	2	
7	B229900002718	Reducer assembly	1	
8	A210204000364	Screw	4	
9	A210491000120	Washer	8	
10	B210780001310	Fitting, Elbow	5	
11	12753676	Rubber Hose4SP16-DKOL-DKOL45-6004SP16-DK	1	
12	A210111000097	Bolt	8	
13	24000633	Washer	22	
14	A210307000055	Nut	18	
15	A210204000354	Screw	52	
40	13283613	big cavity pipe of boom	1	
41	13283963	small cavity pipe of boom	1	
42	60331627	Hose, Rubber	1	
43	14217196	Screw	4	
44	B210780000696	Split Flange	20	
45	B230103006441	Rubber hose	2	
46	60266851	rubber hose	1	
47	60266852	rubber hose	1	
48	60235641	Rubber hose	1	
49	21053874	Rubber Hose	1	
50	60266849	rubber hose	1	
51	B230103007775	Rubber Hose	1	
52	13424603	Oil Suction Steel	1	
53	B230103001005	Hose Assembly	1	
54	B230103005717	Rubber Hose	4	
62	A210855000052	T-clamp	4	
63	60165875	Adaptor 45 Dkol18 Cel18	1	
64	A820606020616	Suction hose	1	
103	A820205002283	Connector	1	
104	B210780000024	Fitting, Elbow	2	
105	60231888	Rubber Hose	1	
106	A820205000961	Connector	1	
107	B230101000049	O-ring	2	
108	A820205000947	Plug	1	
109	60339860	Rubber hose	1	

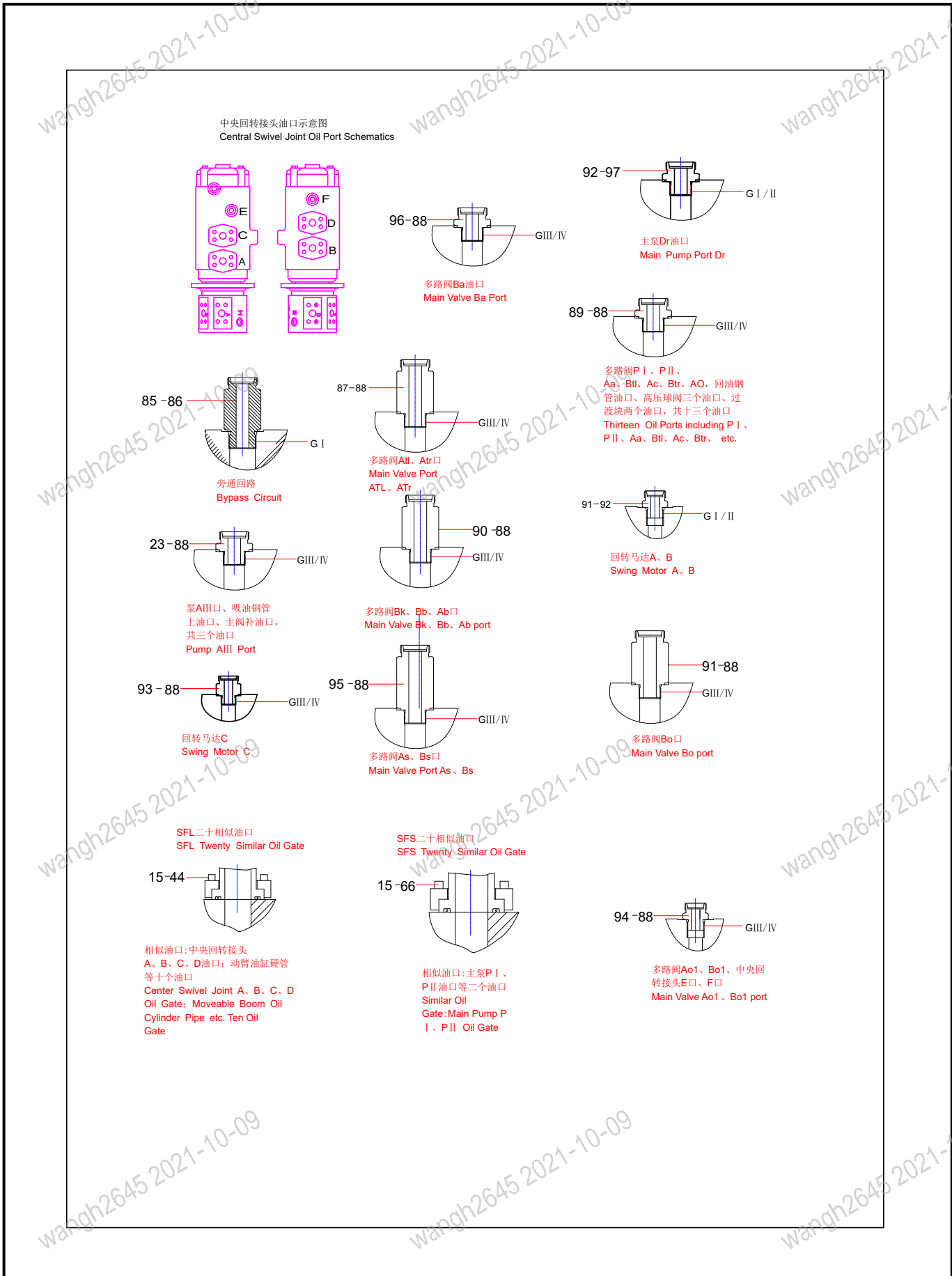


INDEX	PART NO.	DESCRIPTION	QTY	SEE PAGE
9	A210491000120	Washer	8	
10	B210780001310	Fitting, Elbow	5	
13	24000633	Washer	22	
14	A210307000055	Nut	18	
15	A210204000354	Screw	52	
16	A820301017374	U-Bolt	3	
17	13588668	Steel Plate	1	
18	11728602	Component of oil return pipe	1	
19	A210111000106	Bolt	4	
20	A210491000118	Washer	20	
21	13282859	main valve frame	1	
22	10570332	Slewing Mechanism	1	
23	21002826	Fitting, Connector	3	
24	A210110000014	Bolt	4	
25	24000513	Washer	12	
26	A210204000312	Screw	9	
27	13282207	Flange block	1	
28	B230101000091	Ring	1	
29	A210204000337	Screw	8	
30	A210491000121	Washer	11	
31	B210780000029	Fitting, Elbow	4	
32	A313041602516	Screw	5	
33	A210204000336	Screw	8	
34	24000512	Washer	13	
35	60237031	Breather Valve	1	2-36
36	24000632	Washer	4	
37	60249819	Screw	4	
38	12159487	Oil Return Steel Pipe	1	
39	B210780000838	Fitting, Elbow	1	
55	A820101344841	pipe nip	2	
56	A210204000358	Screw	2	
57	13892488	Plate	1	
58	60246488	High pressure ball valve	1	
59	13100862	rubber	1	
60	13595457	hydraulic fuel tank assy	1	2-38
61	B230103000952	Hose	1	
65	10225831	Pipe, oil return	1	
66	B210780000007	Split Flange	4	
67	B230103001782	Rubber Hose	1	
68	60279419	rubber hose	1	

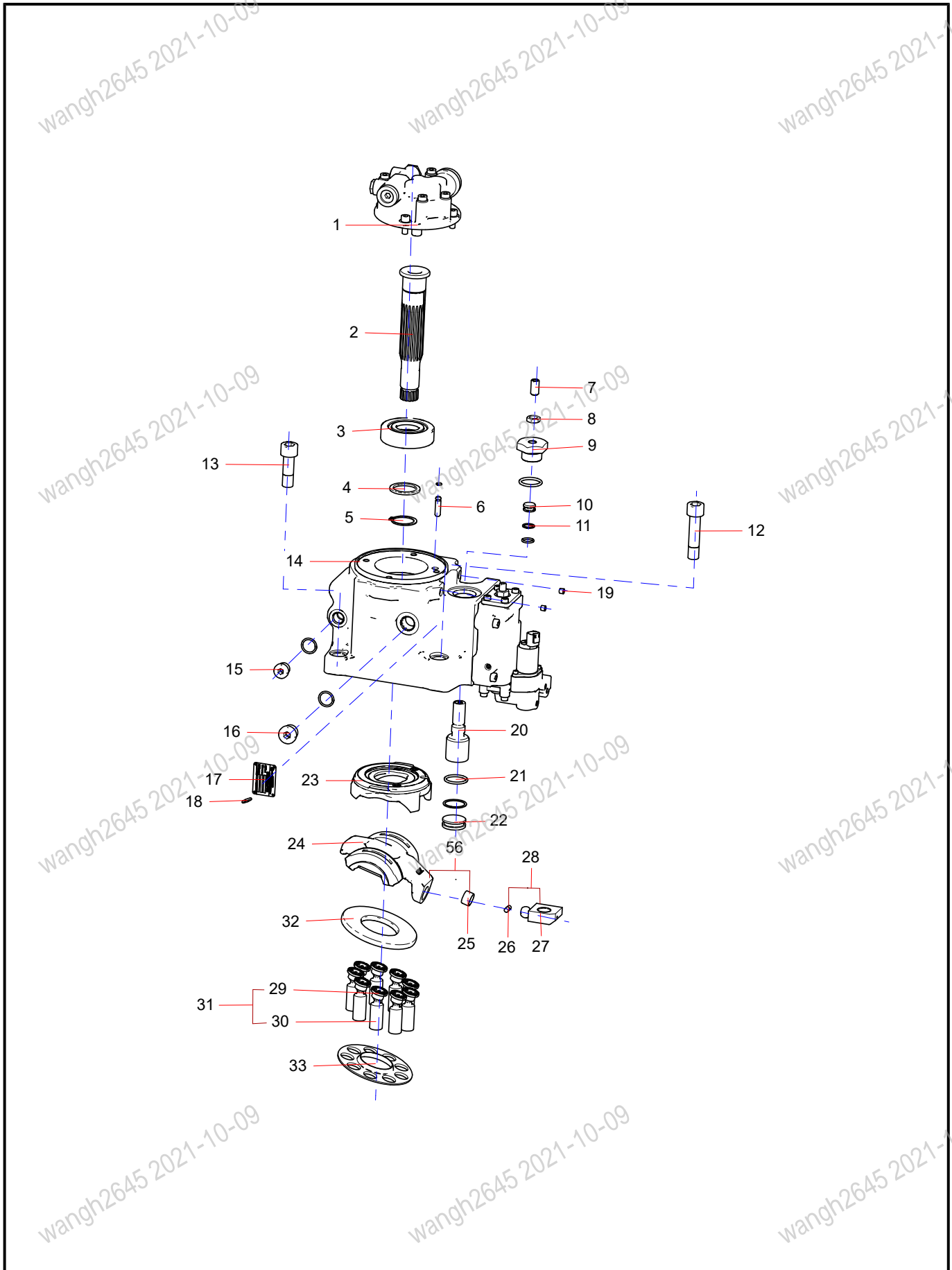




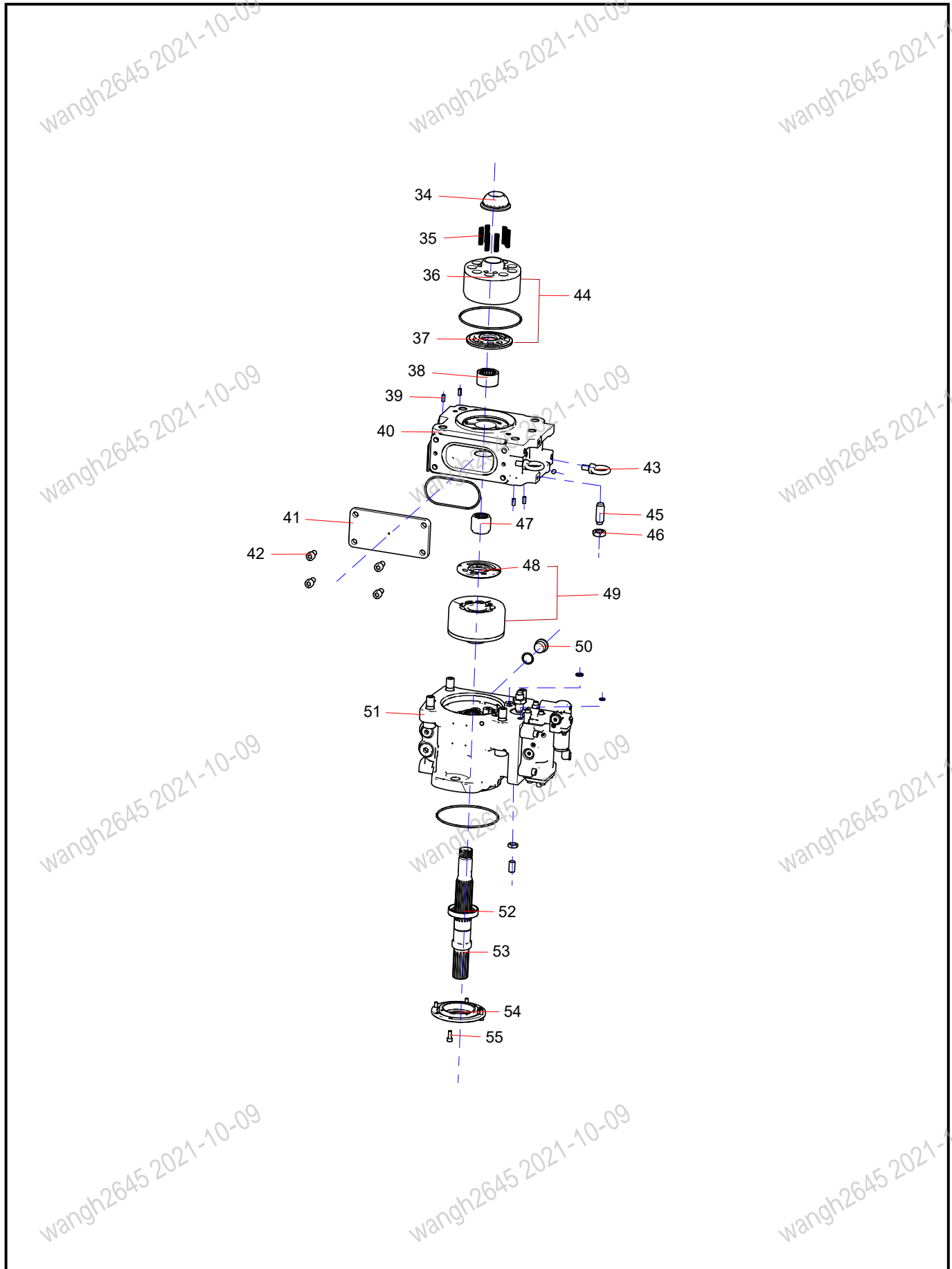
INDEX	PART NO.	DESCRIPTION	QTY	SEE PAGE
69	A210204000232	Screw	4	
70	60067539	Rubber Hose	1	
71	B230103000950	Rubber Hose	1	
72	B210780000028	Elbow Combination Fitting	1	
73	B230103004777	Rubber Hose	1	
74	13424503	Oil Return Steel Pipe	1	
75	B230101000366	O-ring	4	
76	B230103005693	Rubber hose	1	
77	A229900004566	Pipe Clamp	1	
78	13588671	steel pipe support plate	1	
79	13424523	Oil Return Steel Pipe	1	
80	13588665	Steel Plate	1	
81	B210780000030	Fitting, Elbow	1	
82	11938003	BLOCK	1	
83	13892578	Plate	1	
84	60339861	Hose	2	
88	B230101000356	O-ring	30	
89	A820205002473	Connector	13	
98	B230101000038	O-ring	1	
99	60016086	Single-chip Hydraulic control valve grou	1	
100	A210204000215	Screw	2	
101	60205580	Check Valve	1	
102	60205581	Check Valve	1	



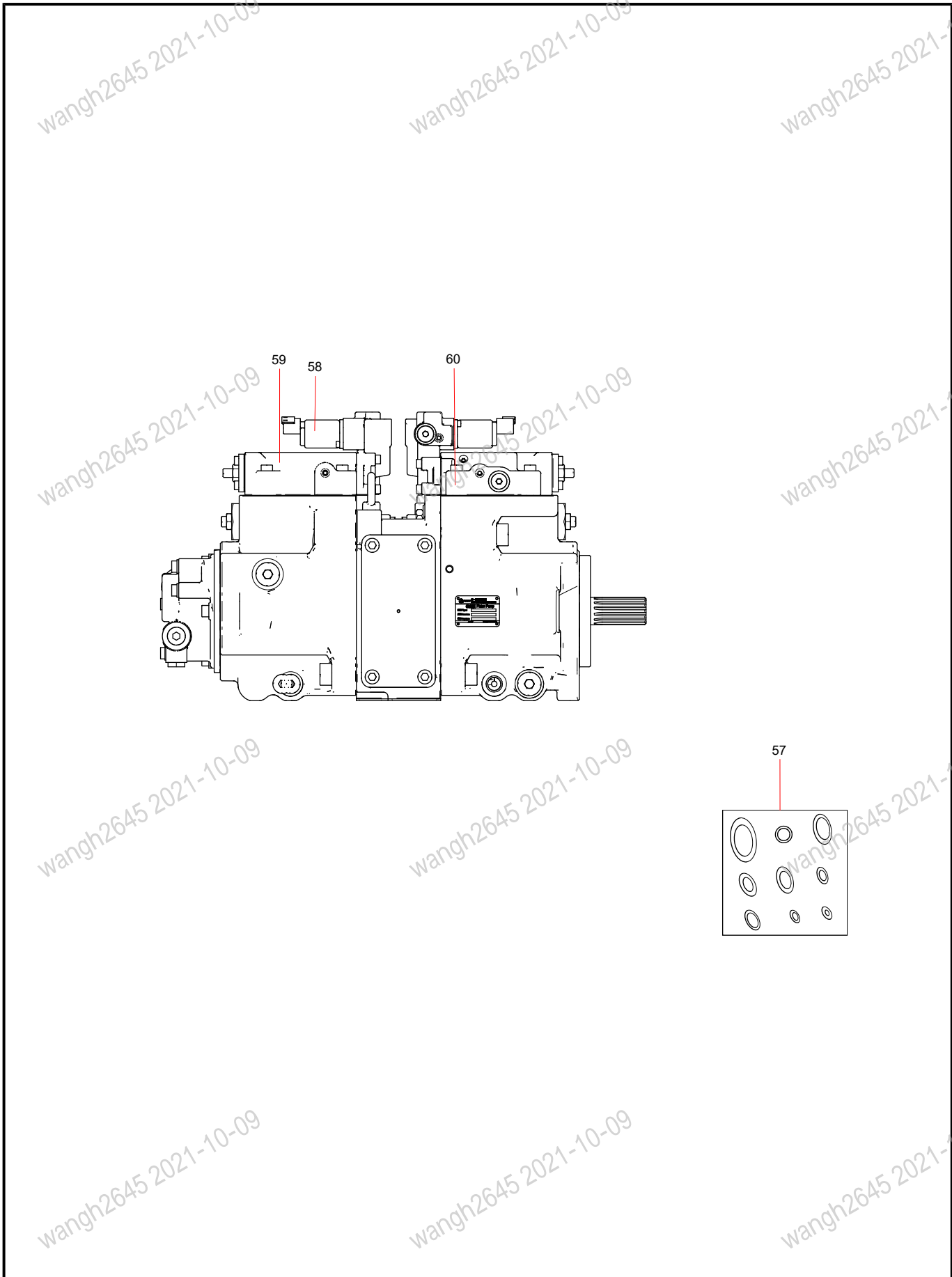
INDEX	PART NO.	DESCRIPTION	QTY	SEE PAGE
15	A210204000354	Screw	52	
23	21002826	Fitting, Connector	3	
44	B210780000696	Split Flange	20	
66	B210780000007	Split Flange	4	
85	B230101000050	O-ring	1	
86	A820205002468	Connector	1	
87	A820205002474	Fitting	2	
88	B230101000356	O-ring	30	
89	A820205002473	Connector	13	
90	13269672	Joint	3	
91	21002824	Pipe connector	2	
92	B230101000090	O-ring	3	
93	12329107	Pipe Connector	1	
94	21002825	Pipe Connector	4	
95	13203028	G3/4-M26-L115 Adaptor	2	
96	12072680	adaptor	2	
97	A820205002280	Connector	1	



INDEX	PART NO.	DESCRIPTION	QTY	SEE PAGE
1	60254407	PUMP GEAR	1	
2	60254372	SHAFT(R) DRIVE	1	
3	60254374	BEARING ROLLER	2	
4	60038677	Bearing Washer	2	
5	60037945	spring stopper-ring	2	
6	60254383	PIN LOCK	2	
7	60254406	SCREW SET	2	
8	60254405	NUT	2	
9	60254396	PLUG Qmin	2	
10	60254398	STOPPER(S)	2	
11	60254404	RING BACI UP	2	
12	60254391	SCREW	2	
13	60254390	SCREW	2	
14	150188000453A	CASING (R), pump	1	
15	60008713	Plug	2	
16	60008710	Roh Plug	2	
17	60100511	Nameplate	1	
18	60008722	Rivet	2	
19	150188000796A	plug	9	
20	60254395	PISTON SERVO	2	
21	60038279	Retainer ring	2	
22	60254397	STOPPER(L)	2	
23	60254382	SUPPORT S.P	2	
24	60254381	PLATE SWASH	2	
25	60082166	Tilting Bush	2	
26	60254394	PIN TILTING	2	
27	60008549	Pin	2	
28	60254412	Assembly til ting pin	2	
29	60254377	PISTON	18	
30	60082144	Shoe	18	
31	60254408	ASSEMBLY PISTON	2	
32	60254380	PLATE SHOE	2	
33	60254378	PLATE SET	2	
56	60254411	ASSEMBLY SWASH PLATE	2	

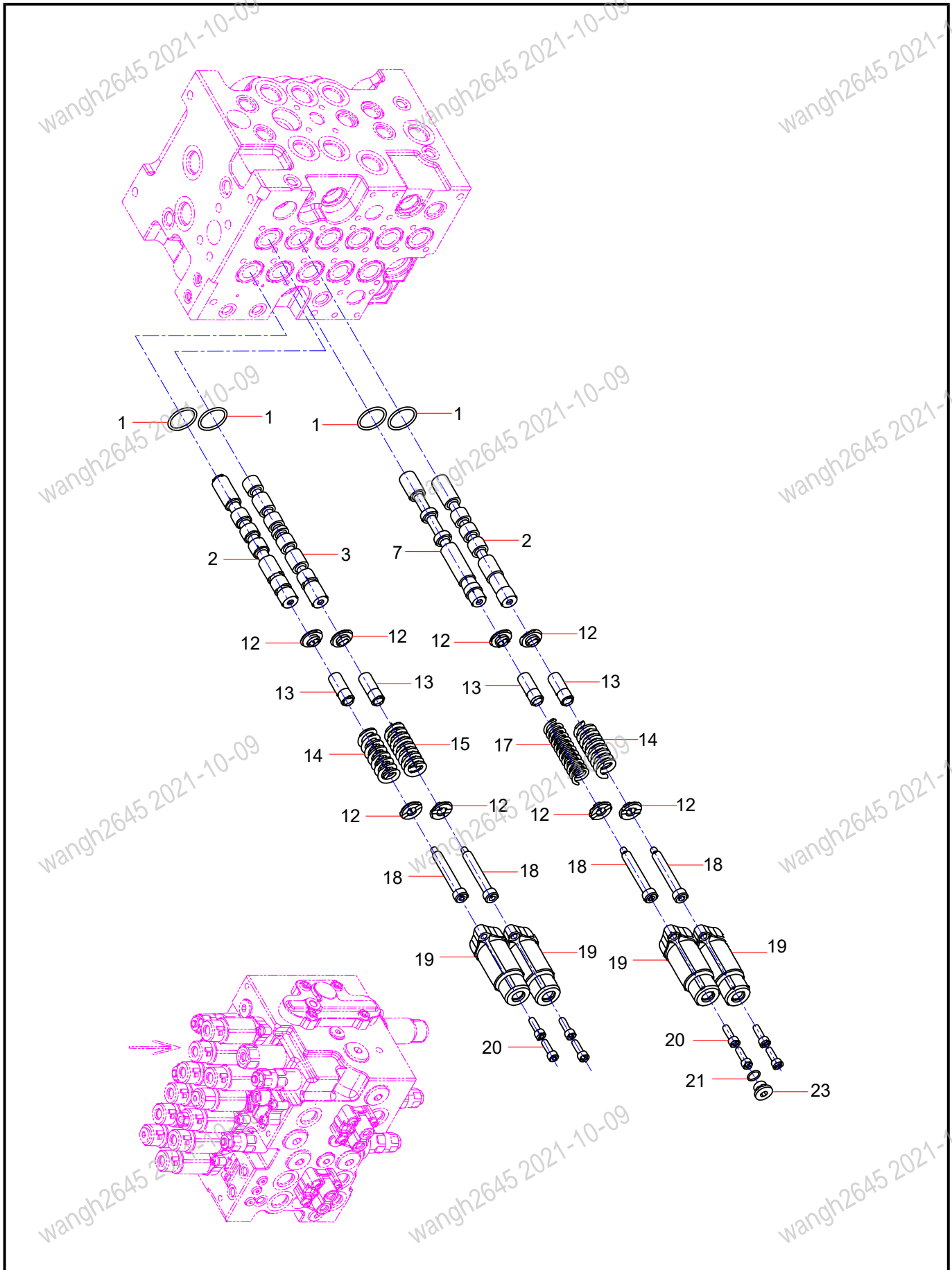


INDEX	PART NO.	DESCRIPTION	QTY	SEE PAGE
34	60254379	BUSH SPHERICAL	2	
35	60008545	Spring	12	
36	60254376	BLOCK CYLINDER	2	
37	60254389	PLATE(L) VALVE	1	
38	60254375	BEARING NEEDLE	2	
39	60038260	Spring(Pin)	4	
40	150188000454A	BLOCK, valve	1	
41	60008511	Cover	1	
42	60254393	SCREW	4	
43	150202040016B032	bolt of main pump	2	
44	60254410	ASSEMBLY CYLINDER(L)	1	
45	60038337	Position Bolt	2	
46	60038452	Nuts	2	
47	60254373	GEAR	1	
48	60254388	Plate(r) valve	1	
49	60254409	ASSEMBLY CYLINDER(R)	1	
50	60008711	Plug	2	
51	150188000452A	CASING (F), pump	1	
52	60197545	Oil Seal	1	
53	60254371	SHAFT(F) DRIVE	1	
54	60254384	COVER(F) SEAL	1	
55	60254392	SCREW	4	

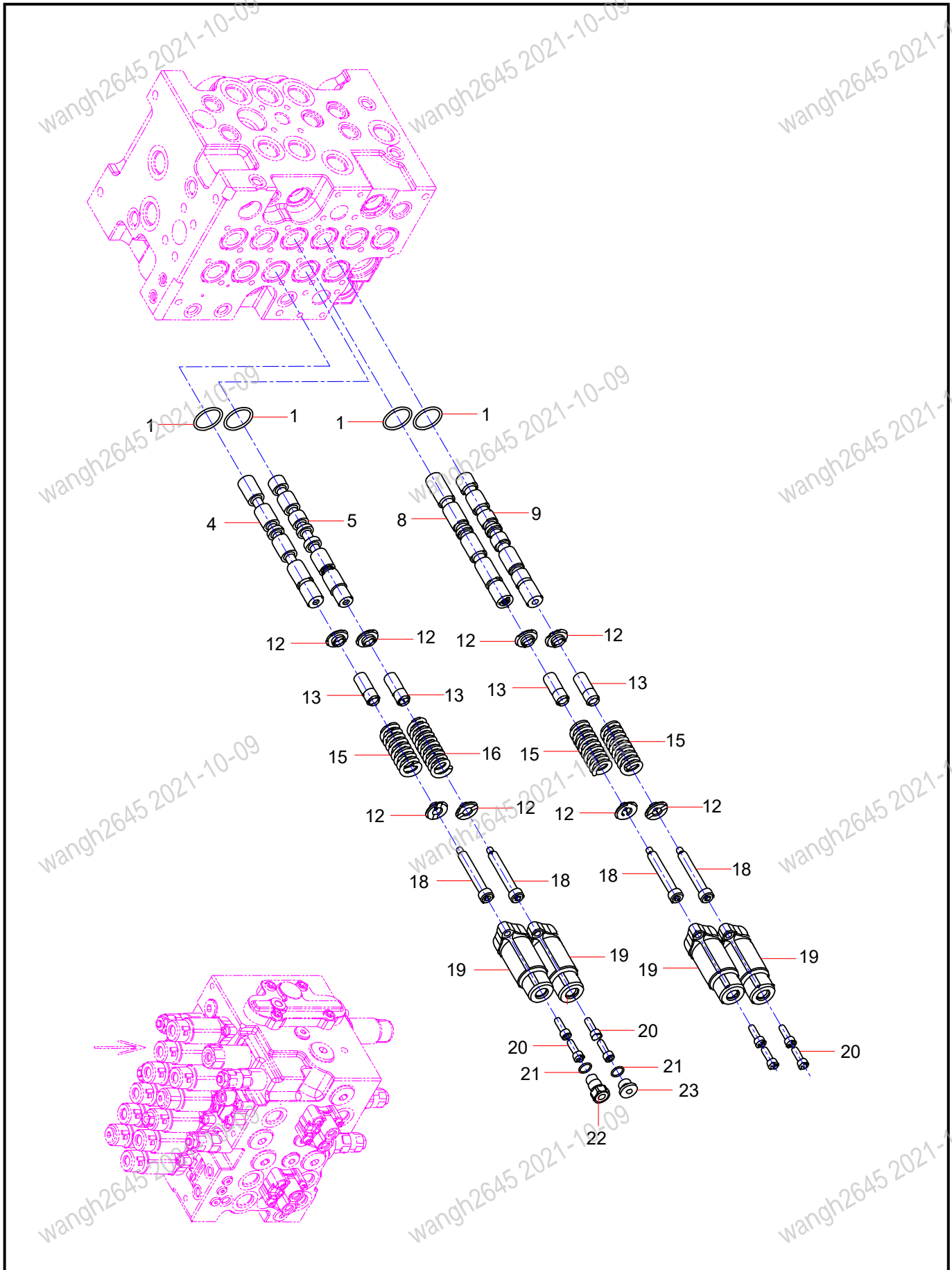




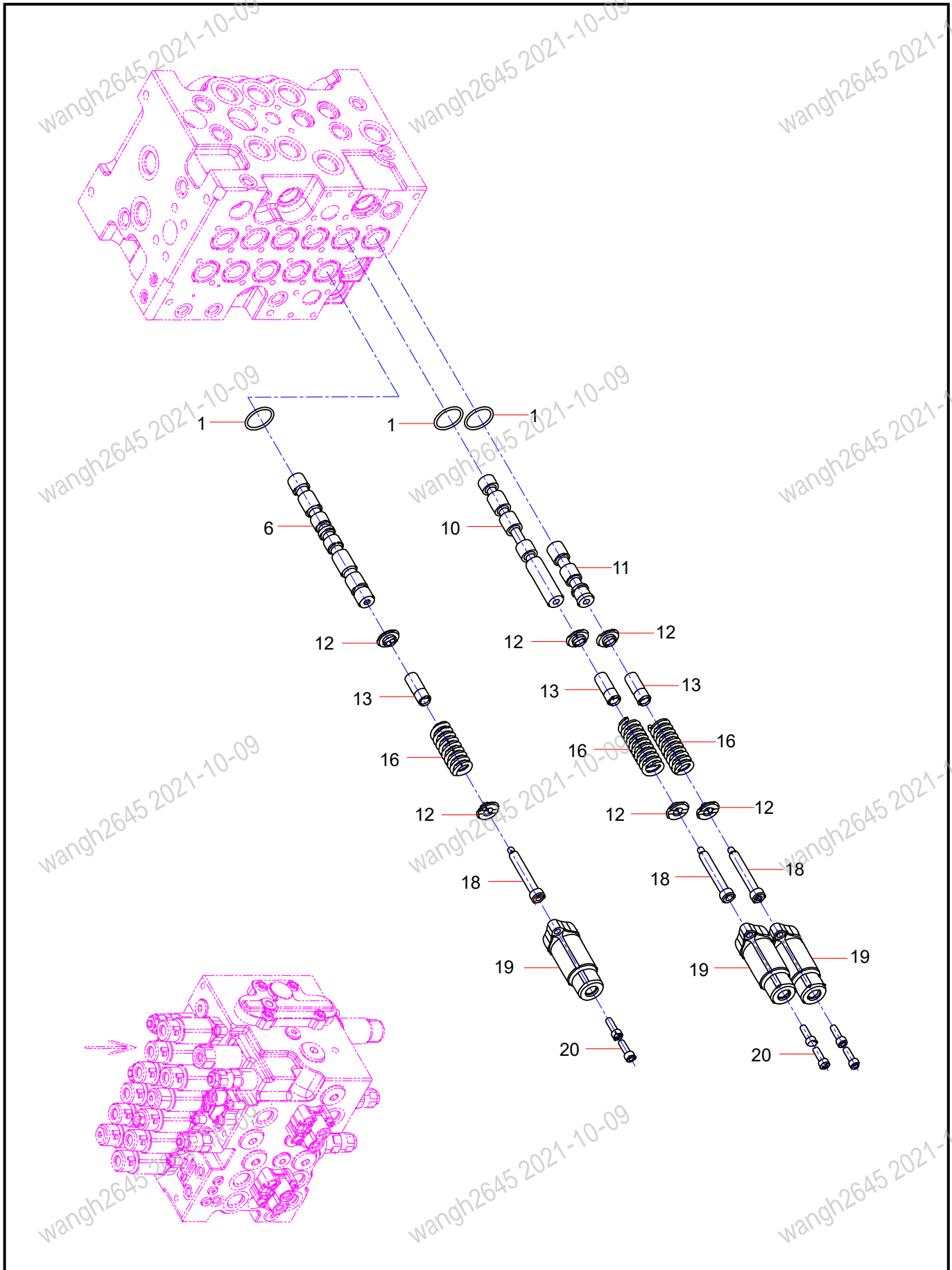
INDEX	PART NO.	DESCRIPTION	QTY	SEE PAGE
57	60266022	Plunger Pump Repair Kit	1	
58	60125194	Valve Proportional Reducins	2	
59	60254414	ASSEMBLY REGYLATOR	1	
60	60254413	ASSEMBLY REGYLATOR	1	



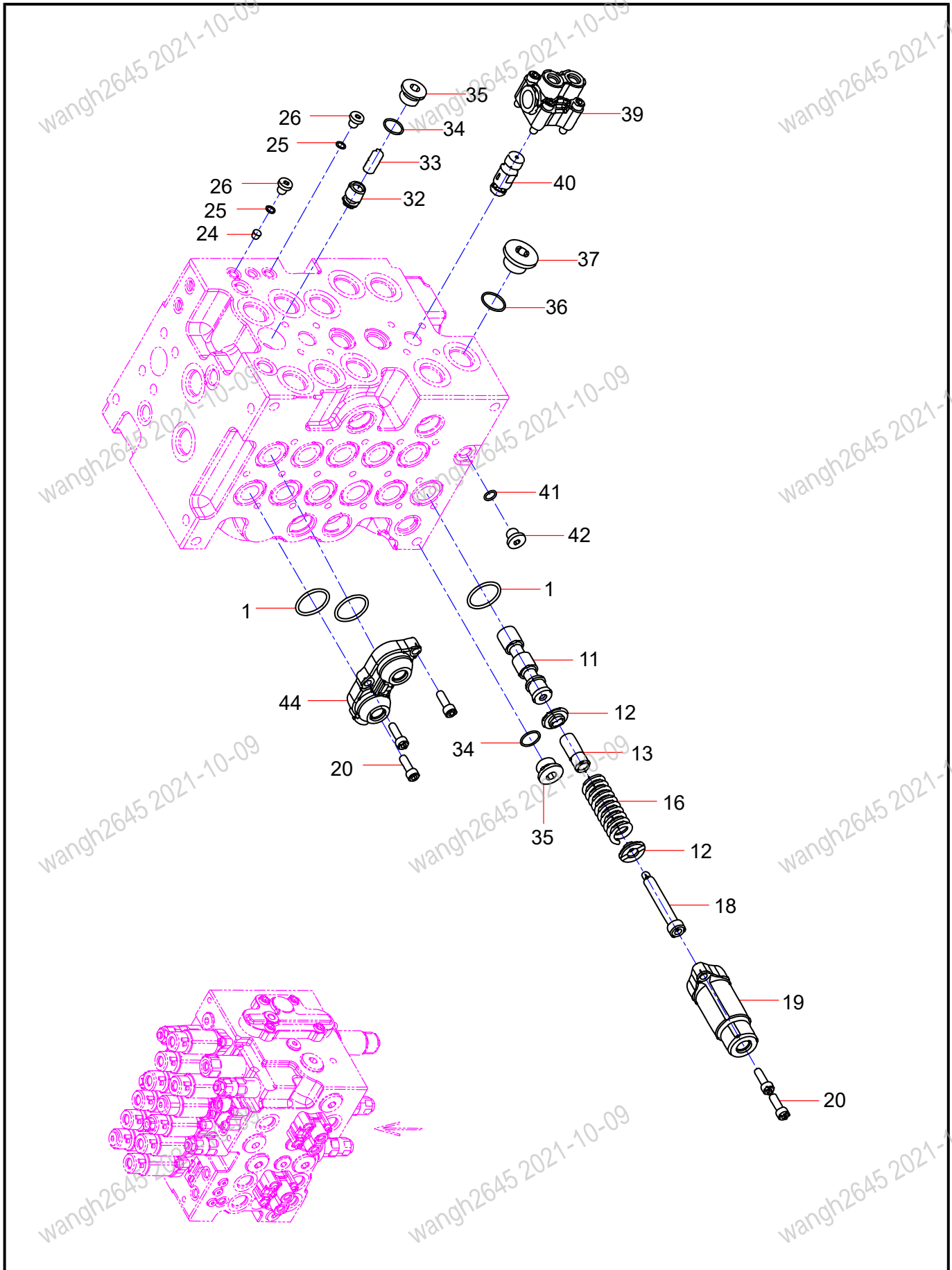
INDEX	PART NO.	DESCRIPTION	QTY	SEE PAGE
1	60038722	O-ring	22	
2	60307523	travel spool	2	
3	60307527	swing spool	1	
7	60307529	straight travel spool assembly	1	
12	60286710	spring seat	24	
13	60286712	stopper	12	
14	60286708	spring	2	
15	60286706	spring	5	
17	60286709	spring	1	
18	60286711	spacer bolt	12	
19	60286688	spring cover	12	
20	60039368	screw hex s.h.c	39	
21	60038723	O-ring	11	
23	60091757	Oil Plug	10	



INDEX	PART NO.	DESCRIPTION	QTY	SEE PAGE
1	60038722	O-ring	22	
4	60286703	option spool	1	
5	60307528	boom2 spool	1	
8	60307526	bucket regeneration spool assembly	1	
9	60307525	boom1 spool assembly	1	
12	60286710	spring seat	24	
13	60286712	stopper	12	
15	60286706	spring	5	
16	60286707	spring	4	
18	60286711	spacer bolt	12	
19	60286688	spring cover	12	
20	60039368	screw hex s.h.c	39	
21	60038723	O-ring	11	
22	60286695	plug	1	
23	60091757	Oil Plug	10	

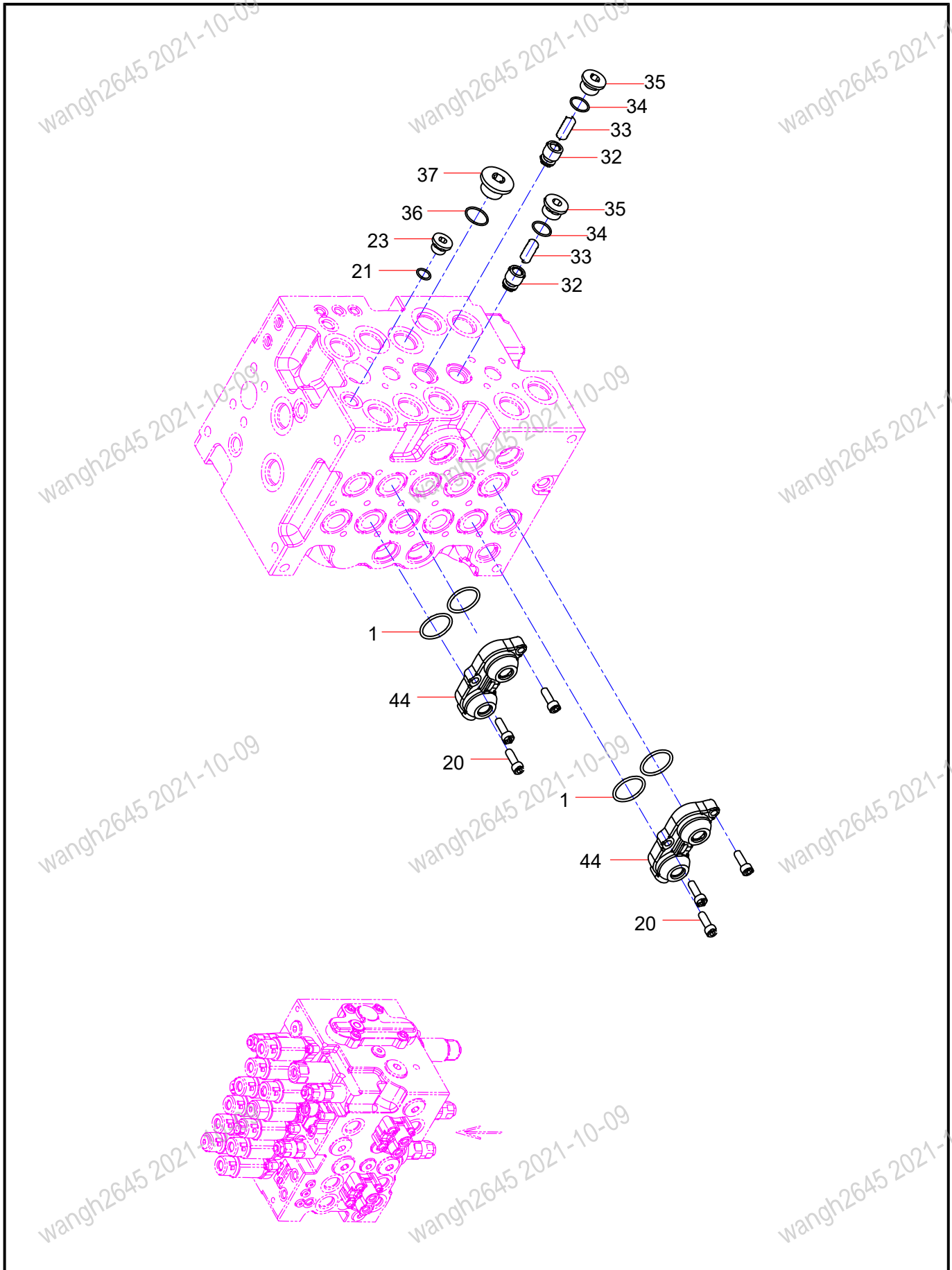


INDEX	PART NO.	DESCRIPTION	QTY	SEE PAGE
1	60038722	O-ring	22	
6	60307524	arm1 spool assembly	1	
10	60286700	arm2 spool	1	
11	60286704	bypass cut spool	2	
12	60286710	spring seat	24	
13	60286712	stopper	12	
16	60286707	spring	4	
18	60286711	spacer bolt	12	
19	60286688	spring cover	12	
20	60039368	screw hex s.h.c	39	

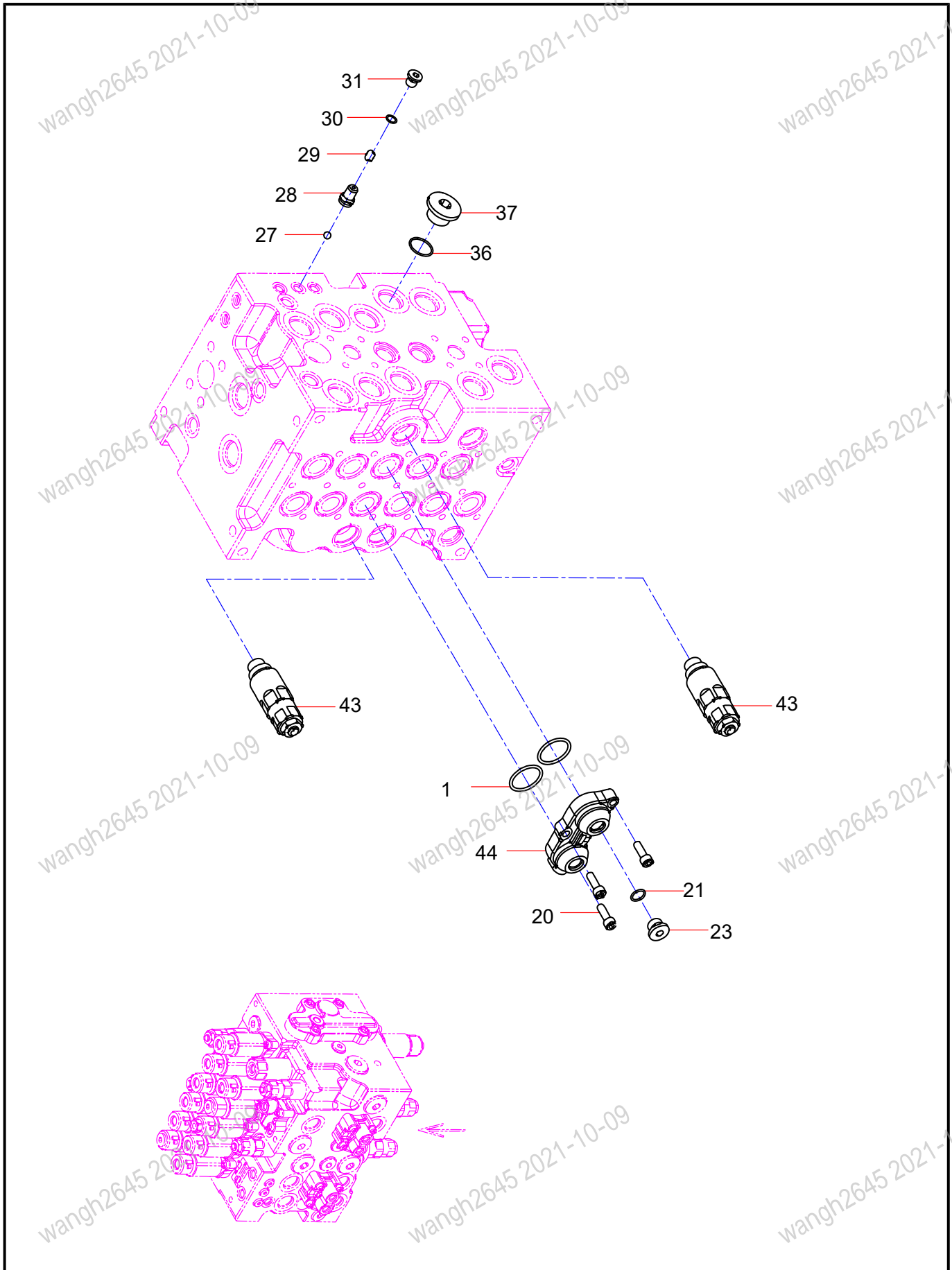




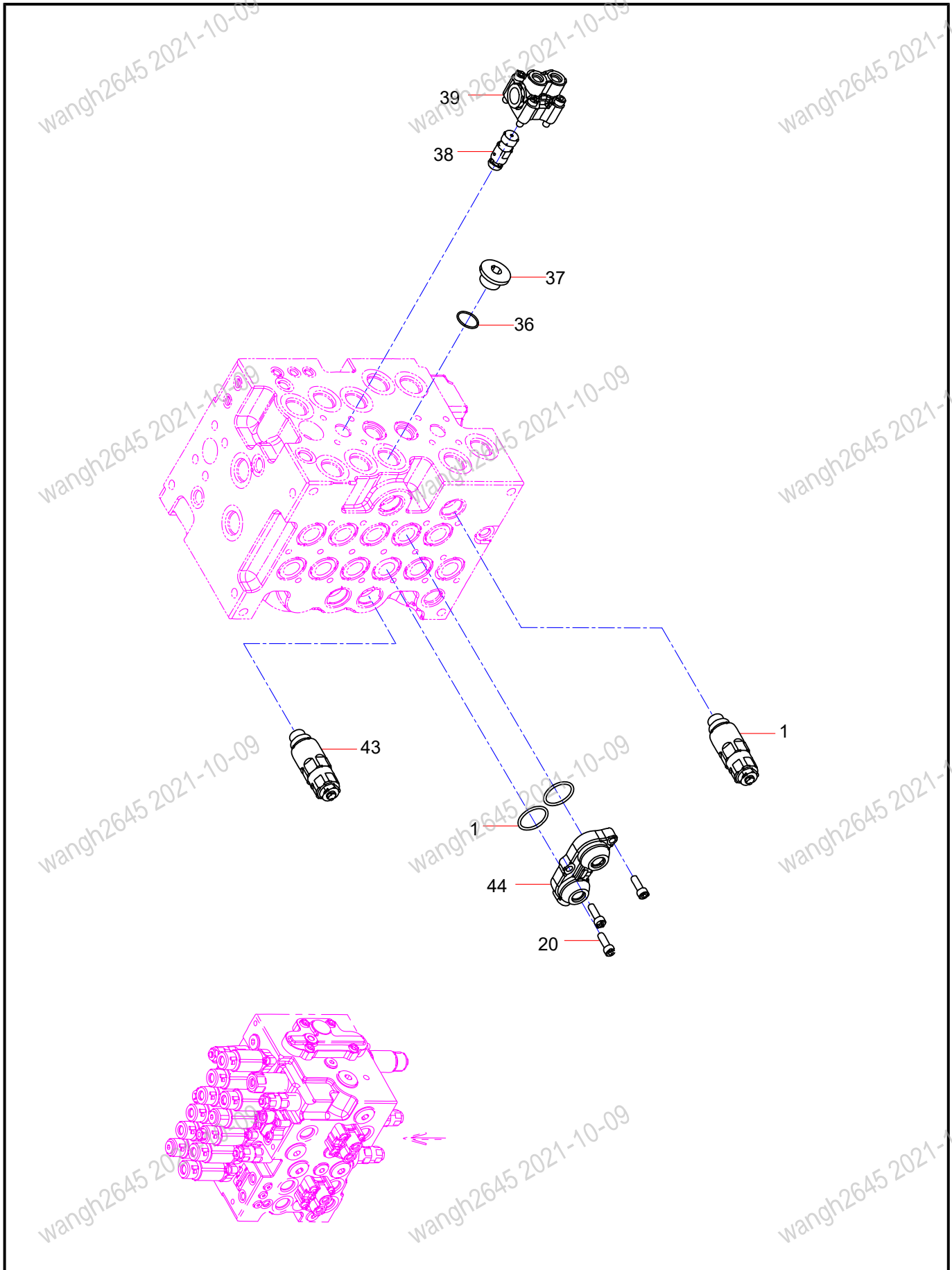
INDEX	PART NO.	DESCRIPTION	QTY	SEE PAGE
1	60038722	O-ring	22	
11	60286704	bypass cut spool	2	
12	60286710	spring seat	24	
13	60286712	stopper	12	
16	60286707	spring	4	
18	60286711	spacer bolt	12	
19	60286688	spring cover	12	
20	60039368	screw hex s.h.c	39	
24	60100492	Throttle Valve	3	
25	60038727	O-ring	4	
26	60038487	PLUG	4	
32	60038110	lift valve	6	
33	60038248	spring	10	
34	60038715	O-ring(seal)	12	
35	60091759	Oil Plug	12	
36	60038726	O-ring	6	
37	60091756	Oil Plug	6	
39	60286691	logic control valve assembly	3	
40	60307520	logic poppet assembly	1	
41	60038711	O-ring (Seal)	4	
42	60038646	Oil Plug	4	
44	60286689	spool cover	5	



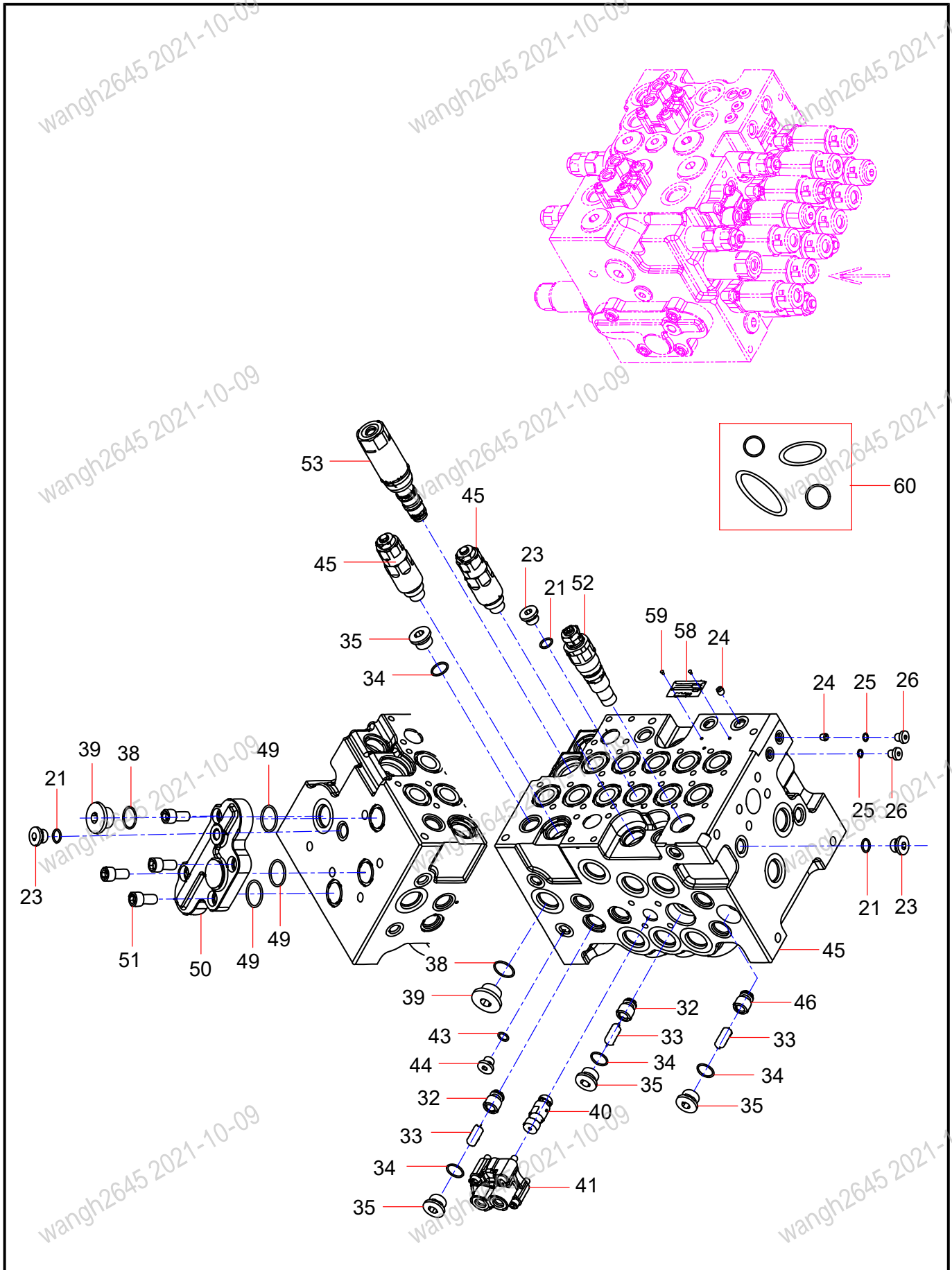
INDEX	PART NO.	DESCRIPTION	QTY	SEE PAGE
1	60038722	O-ring	22	
20	60039368	screw hex s.h.c	39	
21	60038723	O-ring	11	
23	60091757	Oil Plug	10	
32	60038110	lift valve	6	
33	60038248	spring	10	
34	60038715	O-ring(seal)	12	
35	60091759	Oil Plug	12	
36	60038726	O-ring	6	
37	60091756	Oil Plug	6	
44	60286689	spool cover	5	



INDEX	PART NO.	DESCRIPTION	QTY	SEE PAGE
1	60038722	O-ring	22	
20	60039368	screw hex s.h.c	39	
21	60038723	O-ring	11	
23	60091757	Oil Plug	10	
27	60307531	STEEL BALL	1	
28	60307532	Spring Seat	1	
29	60075592	Spring	1	
30	60039419	O-ring	1	
31	60008714	Plug	1	
36	60038726	O-ring	6	
37	60091756	Oil Plug	6	
43	60307534	port relief valve assembly	8	
44	60286689	spool cover	5	

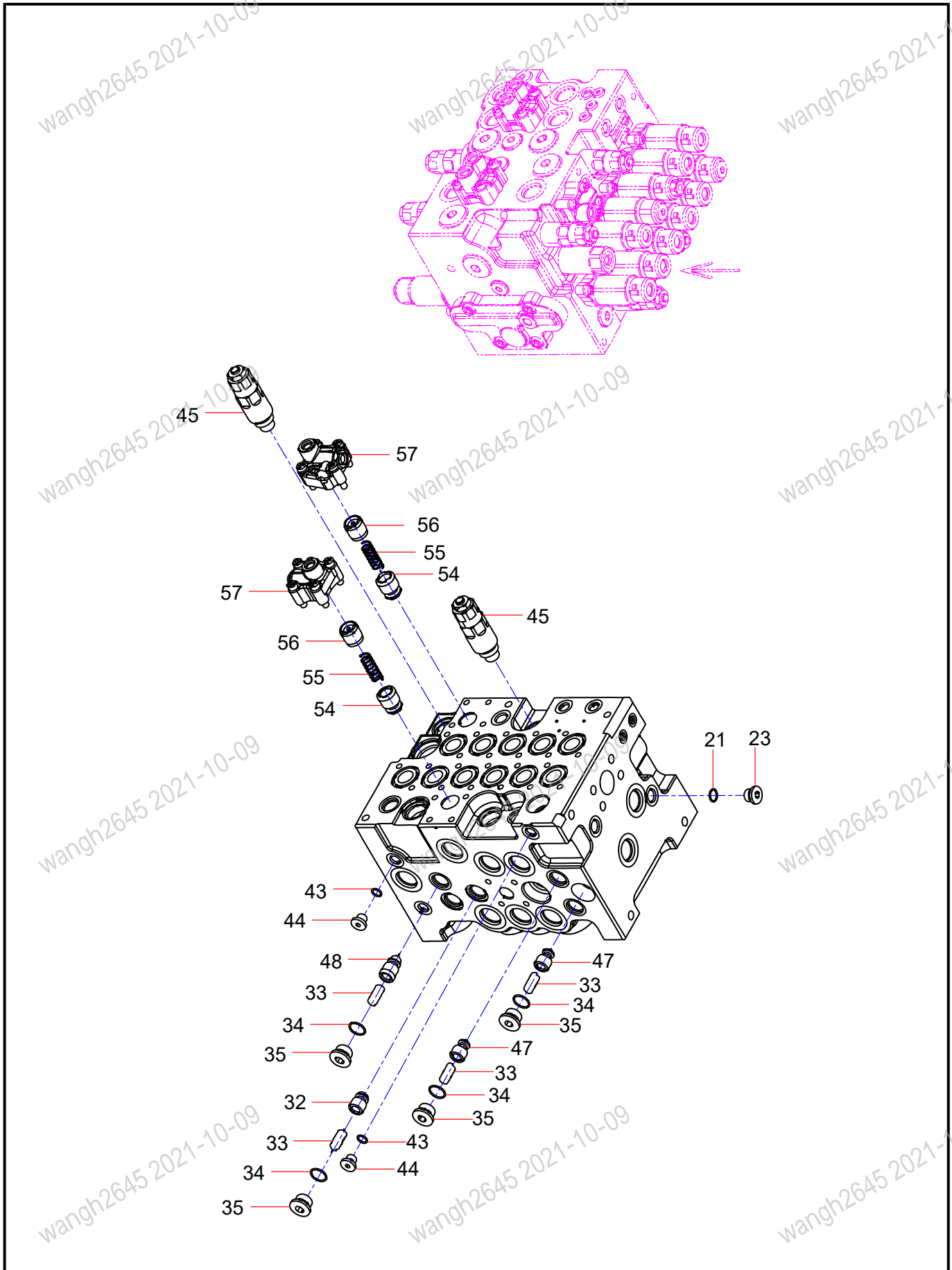


INDEX	PART NO.	DESCRIPTION	QTY	SEE PAGE
1	60038722	O-ring	22	
20	60039368	screw hex s.h.c	39	
36	60038726	O-ring	6	
37	60091756	Oil Plug	6	
38	60307521	logic poppet assembly	2	
39	60286691	logic control valve assembly	3	
43	60307534	port relief valve assembly	8	
44	60286689	spool cover	5	



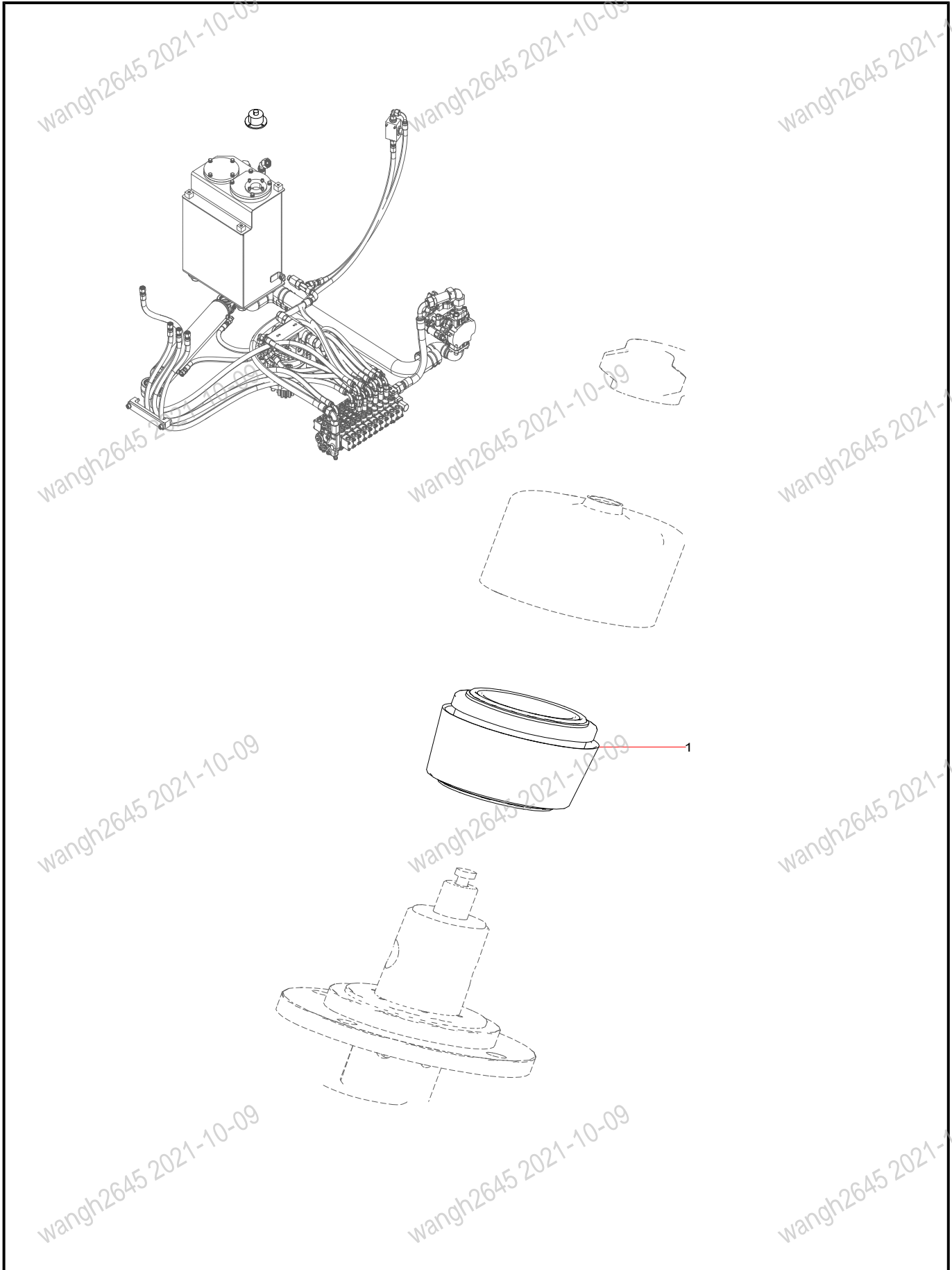


INDEX	PART NO.	DESCRIPTION	QTY	SEE PAGE
21	60038723	O-ring	11	
23	60091757	Oil Plug	10	
24	60100492	Throttle Valve	3	
25	60038727	O-ring	4	
26	60038487	PLUG	4	
32	60038110	lift valve	6	
33	60038248	spring	10	
34	60038715	O-ring(seal)	12	
35	60091759	Oil Plug	12	
38	60307521	logic poppet assembly	2	
39	60286691	logic control valve assembly	3	
40	60307520	logic poppet assembly	1	
41	60038711	O-ring (Seal)	4	
43	60307534	port relief valve assembly	8	
44	60286689	spool cover	5	
45	60307519	CASING	1	
46	60307530	PORRET	1	
49	60038721	O-ring	3	
50	60100470	Cover	1	
51	60100512	Socket Head Cap Screws	4	
52	60307533	Main relief valve assembly	1	
53	60307522	arm regeneration cut valve assembly	1	
58	60100511	Nameplate	1	
59	60038620	Pin	2	
60	150601080031B001	Main valve maintenance package	1	



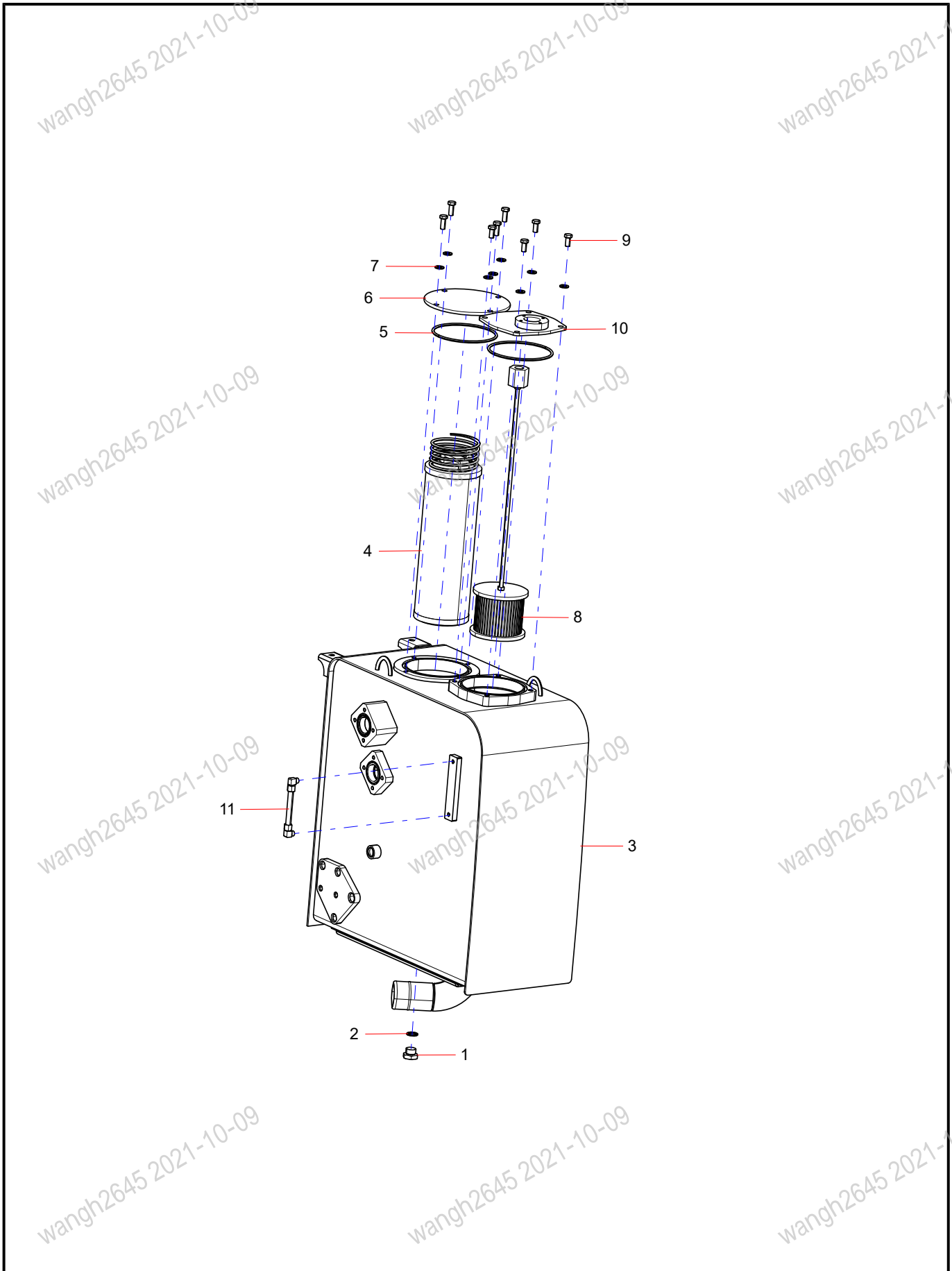
INDEX	PART NO.	DESCRIPTION	QTY	SEE PAGE
21	60038723	O-ring	11	
23	60091757	Oil Plug	10	
32	60038110	lift valve	6	
33	60038248	spring	10	
34	60038715	O-ring(seal)	12	
35	60091759	Oil Plug	12	
43	60307534	port relief valve assembly	8	
44	60286689	spool cover	5	
45	60307519	CASING	1	
47	60038108	Poppet Valve	2	
48	60284427	Lift Popet	1	
54	60008784	Check Valve	2	
55	60008765	Spring	2	
56	60286713	spring seat	2	
57	60286690	lock valve selector assembly	2	

60237031 Breather Valve

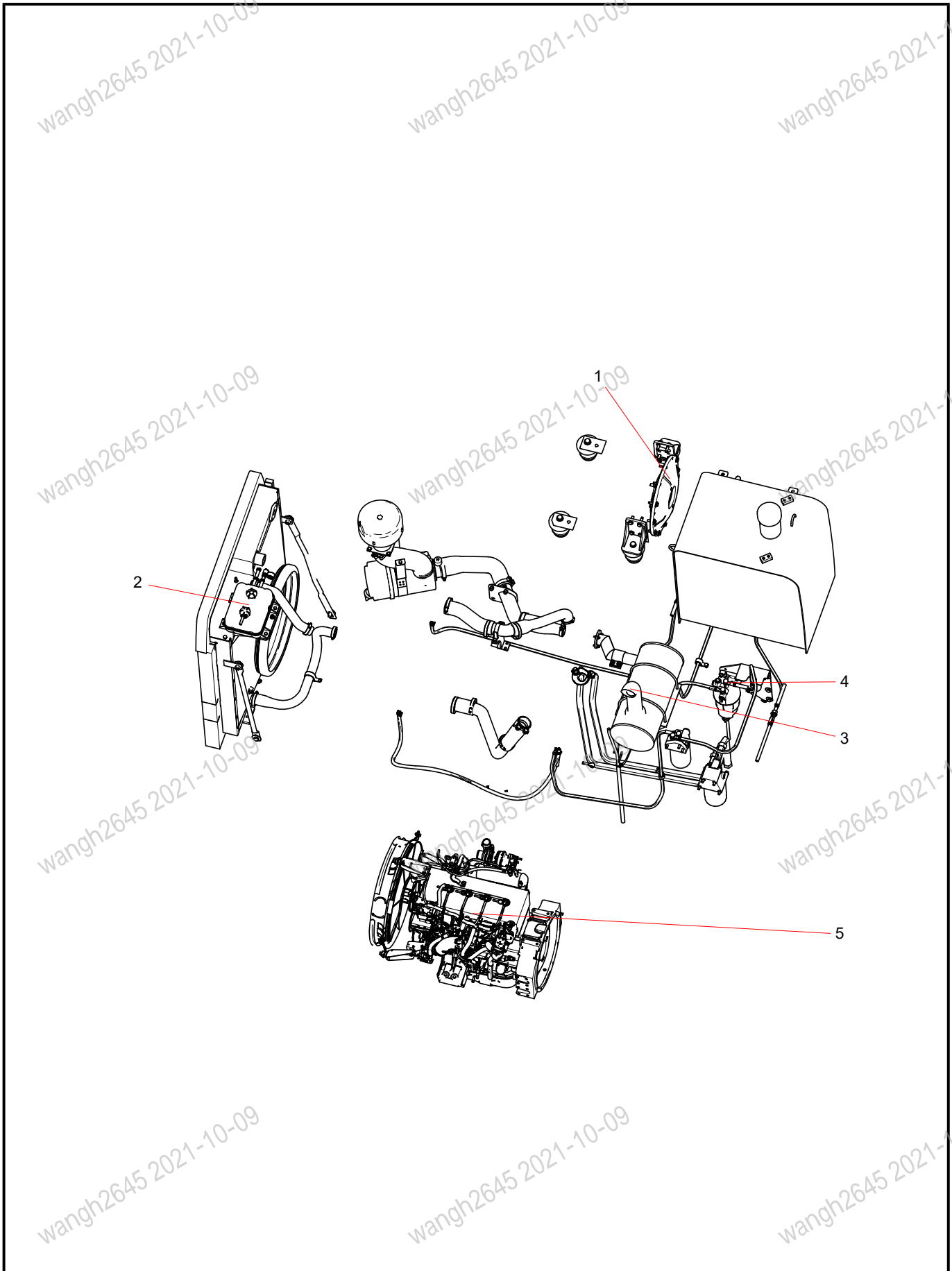


INDEX	PART NO.	DESCRIPTION	QTY	SEE PAGE
1	60186788	Filter, Hydraulic Tank Breather	1	

13595457 hydraulic fuel tank assy

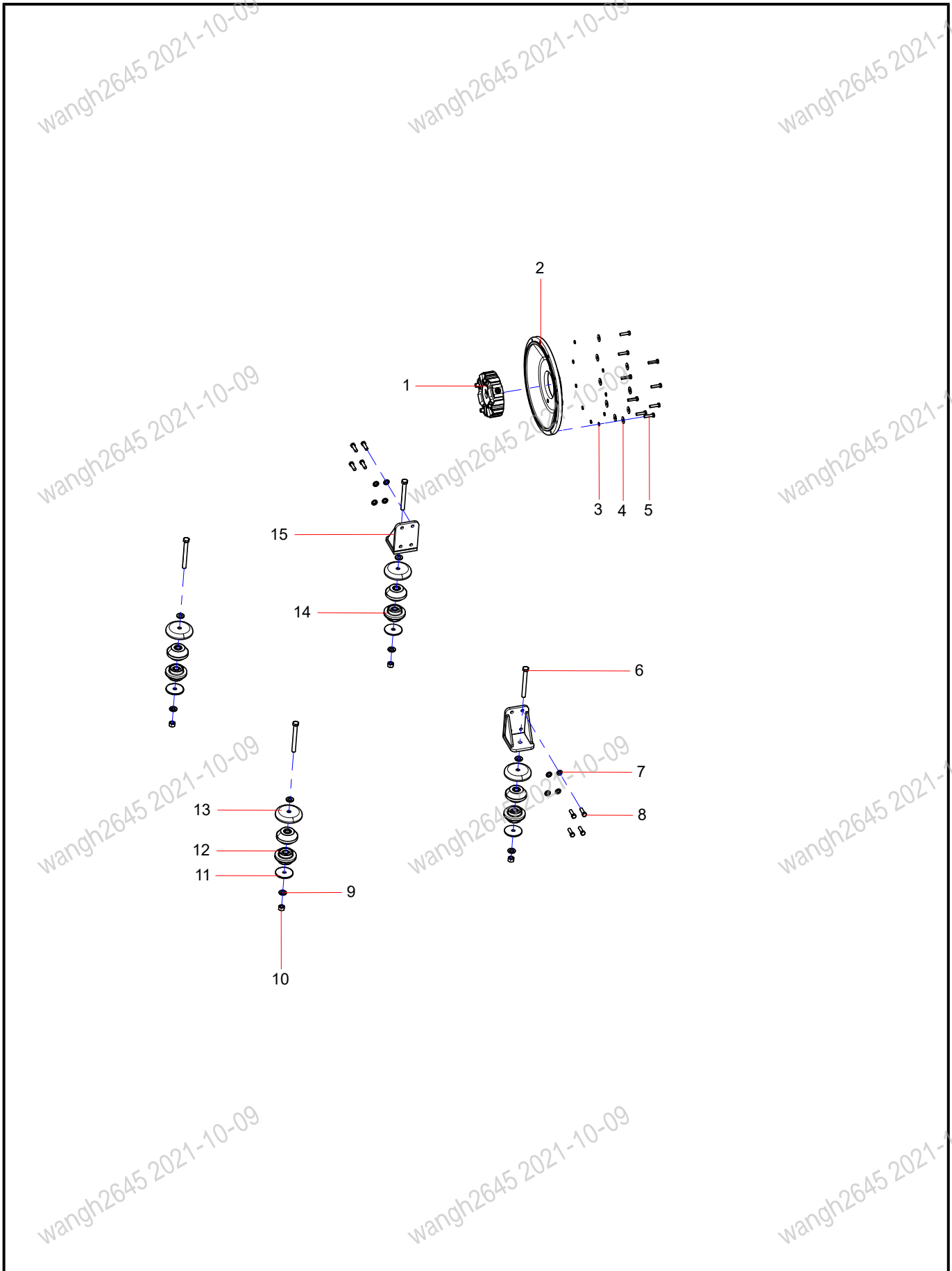


INDEX	PART NO.	DESCRIPTION	QTY	SEE PAGE
1	10514225	Plug	1	
2	B230101000356	O-ring	1	
3	13595223	hydraulic tank	1	
4	60101256	Filter, Oil Return	1	
5	B230101000588	O-ring	2	
6	A820201000692	Oil Return Cover	1	
7	24000639	Washer	8	
8	60235352	Oil suction filter	1	
9	A210111000101	Bolt	8	
10	10179460	Cover, oil suction	1	
11	A250100000174	Liquid Level Thermometer	1	

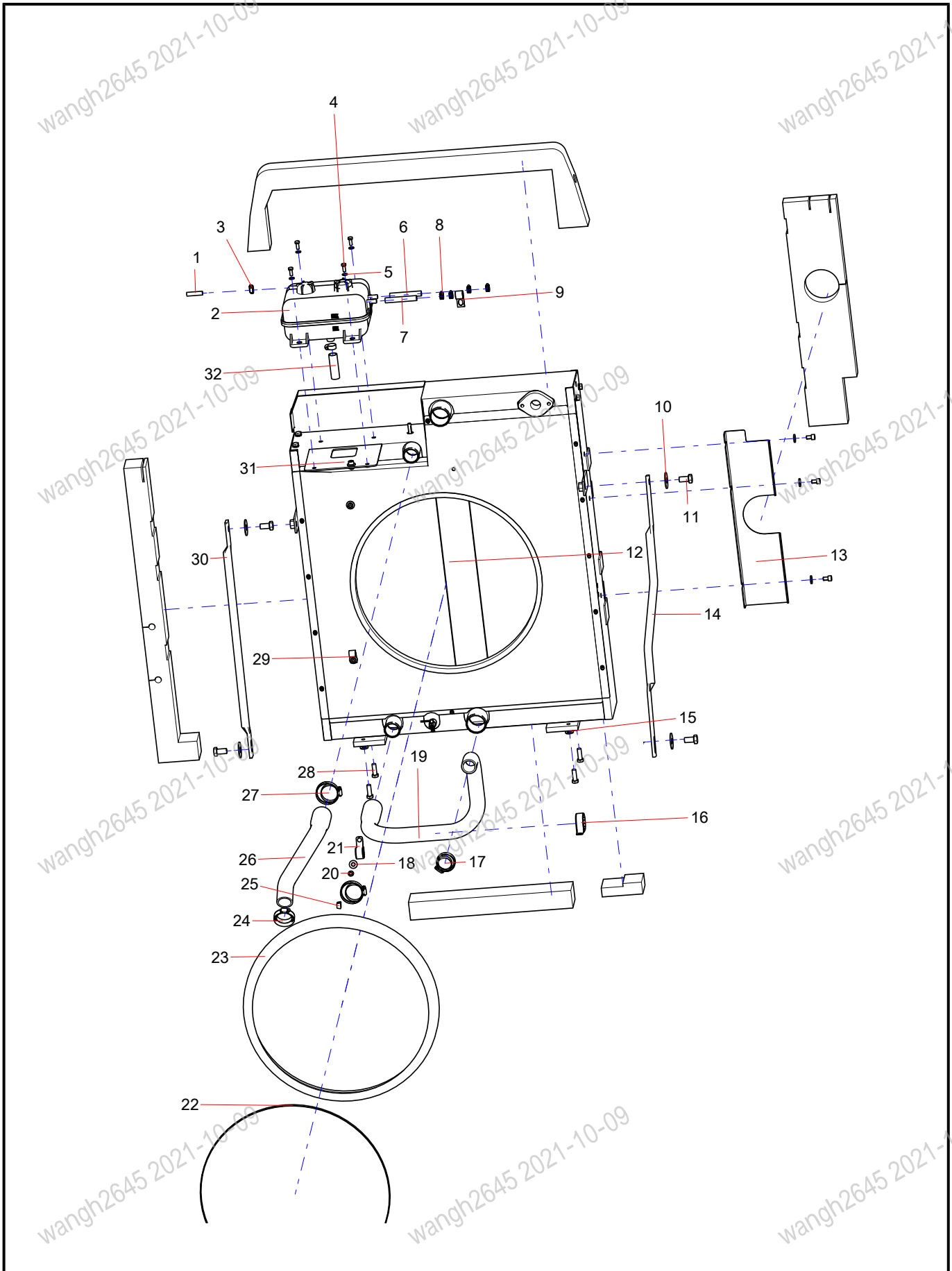




INDEX	PART NO.	DESCRIPTION	QTY	SEE PAGE
1	13077998	Damping and transmission system	1	2-42
2	13444513	Cooling system	1	2-44
3	13444515	Intake and Exhaust System	1	2-50
4	13444518	Fuel system assembly	1	2-56
5	60237492	Engine	1	

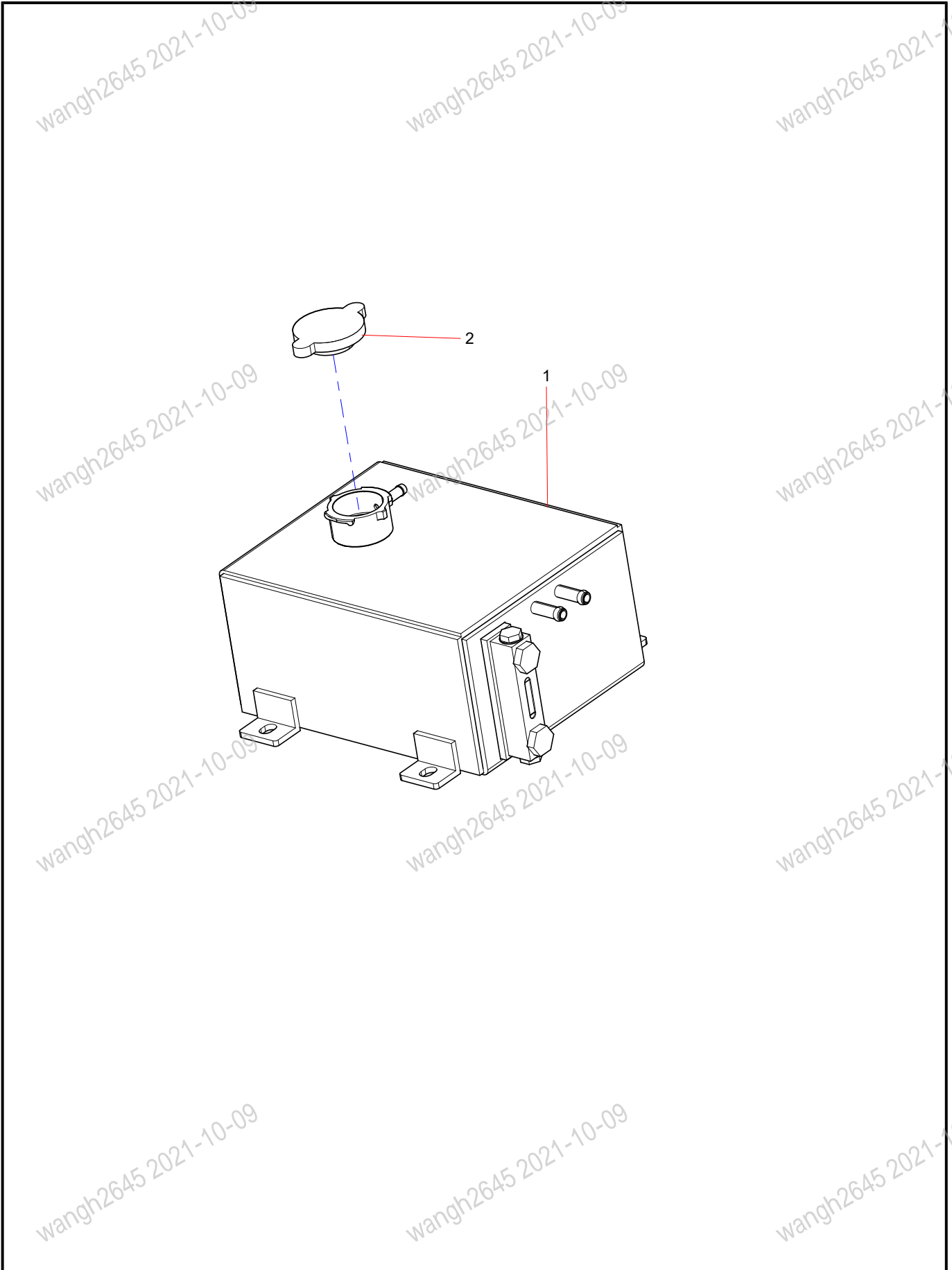


INDEX	PART NO.	DESCRIPTION	QTY	SEE PAGE
1	60245332	Coupling	1	
2	13797507	connecting disc of flywheel shell	1	
3	24000512	Washer	9	
4	60060546	Washer	9	
5	21005186	Bolt	9	
6	A210111000210	Bolt	4	
7	A210491000121	Washer	8	
8	A210111000204	Bolt	8	
9	A210491000118	Washer	8	
10	A210307000028	Nut	4	
11	12810653	damper lower backup plate	4	
12	60212661	Damping pad	4	
13	12727958	mat	4	
14	60263651	Shock Pad	4	
15	13421454	engine bearer	2	



INDEX	PART NO.	DESCRIPTION	QTY	SEE PAGE
1	13421091	breathing tube	1	
2	60259235	expansion tank	1	2-46
3	A229900001345	Clamp	1	
4	A210111000343	Bolt	4	
5	24000633	Washer	4	
6	13421090	water tank exhaust pipe	1	
7	13421089	engine exhaust pipe	1	
8	21053360	Hose Hoop	4	
9	60086354	Clamp	1	
10	60060553	Washer	4	
11	A210111000263	Bolt	4	
12	60233820	Radiator	1	2-48
13	13726441	wind insulation board	1	
14	13047586	stay rod	1	
15	A210491000121	Washer	4	
16	60149607	The Fixity of Line	1	
17	60240502	Hose clamp	1	
18	A210491000120	Washer	7	
19	13421084	radiator lower water pipe of radiator	1	
20	A210204000334	Screw	7	
21	60086356	Harness Fixed Frame	1	
22	A229900004513	Hoop	1	
23	10788274	Rubber Sleeve	1	
24	60240503	Clamp	1	
25	A229900004514	Lock	1	
26	13421085	radiator up water pipe of radiator	1	
27	60219320	Clamp	2	
28	A210111000203	Bolt	4	
29	60083322	Clamp	1	
30	10788271	Water tank supporting rod	1	
31	A210855000008	Throat Collar	2	
32	13421088	engine water filling pipe	1	

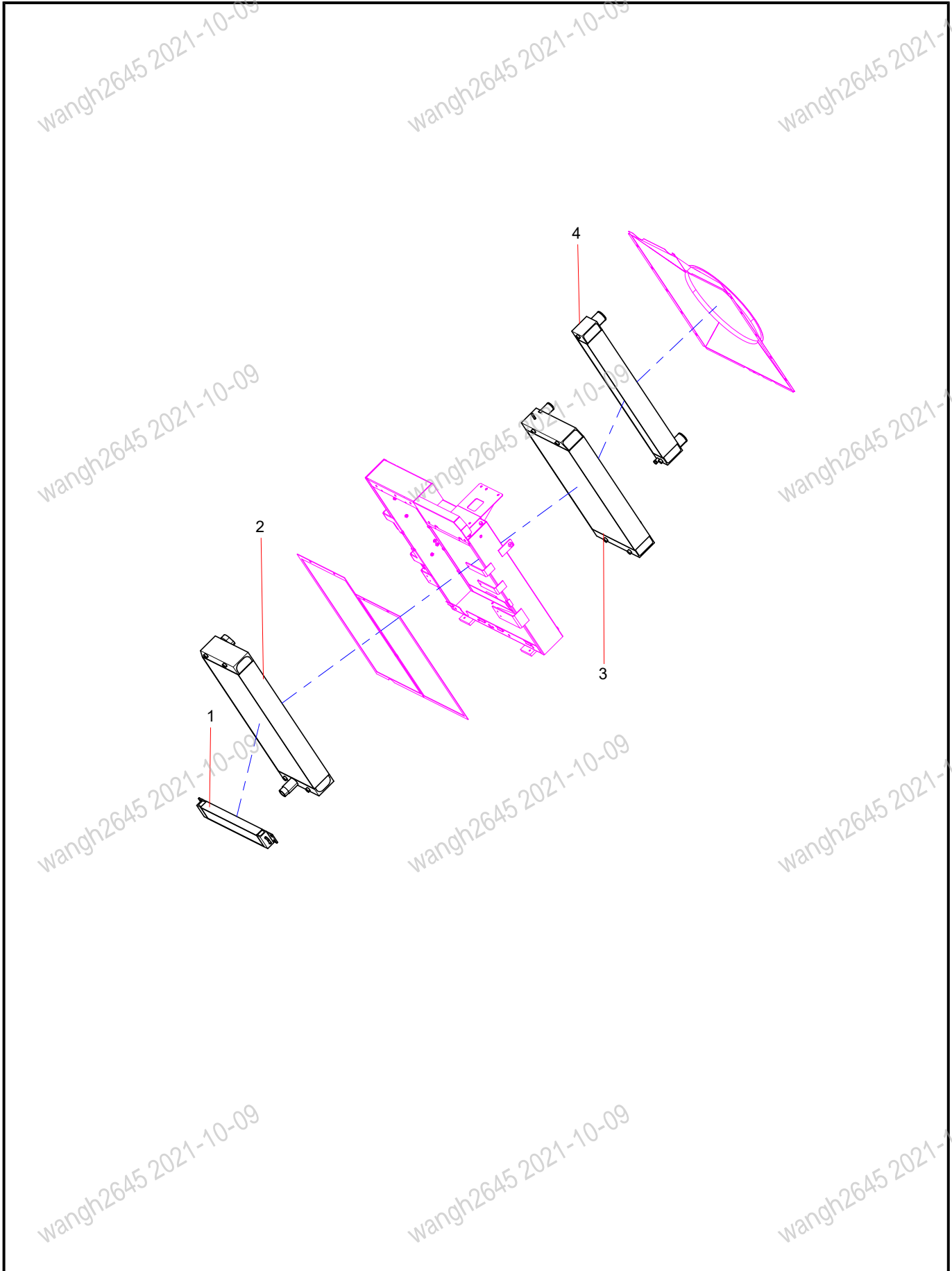
60259235 expansion tank



2-46 slewing device

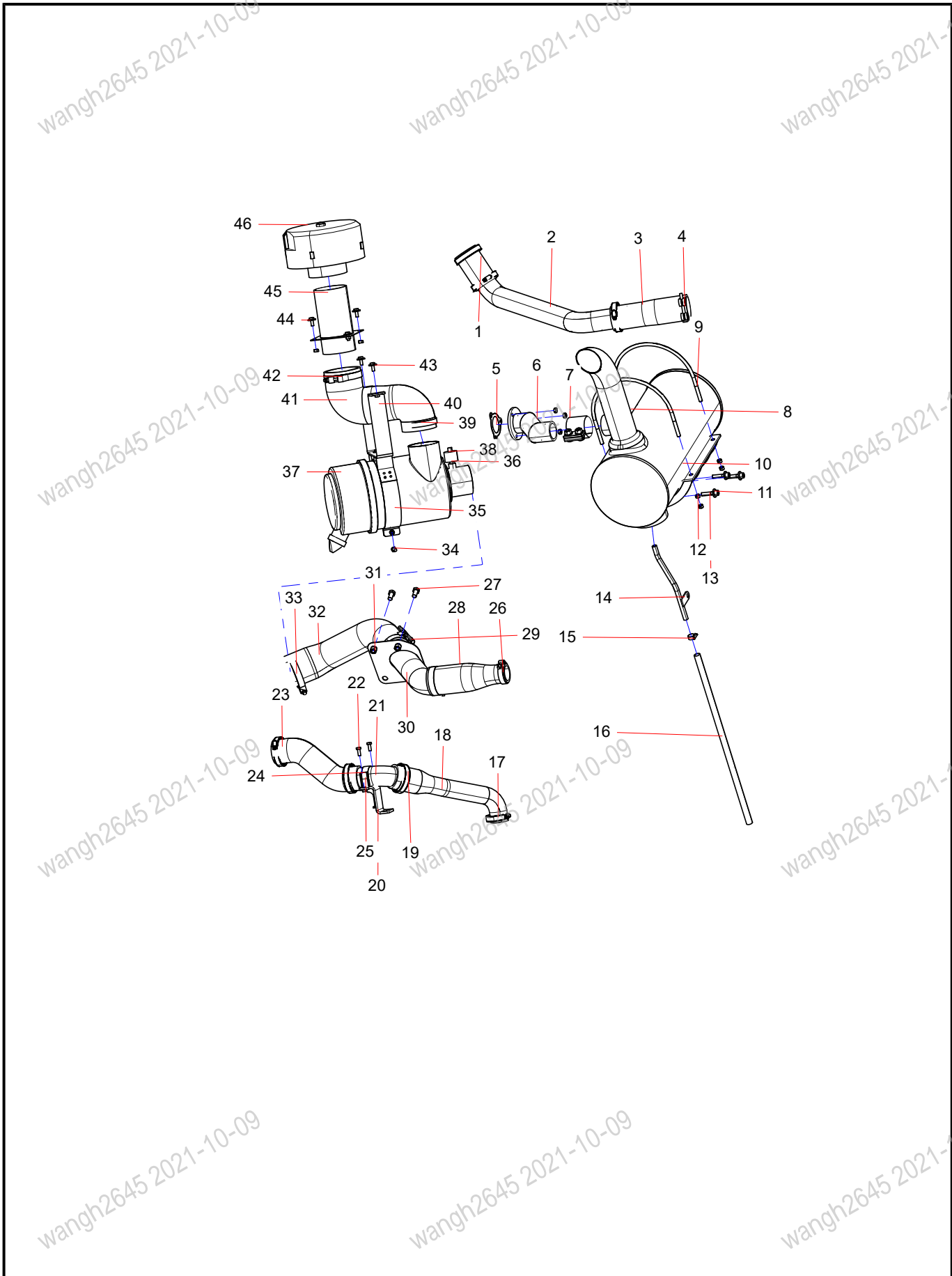
SY135C9I3K(US).0

INDEX	PART NO.	DESCRIPTION	QTY	SEE PAGE
1	61009897	Expansion tank	1	
2	60077849	Cover of watering opening	1	

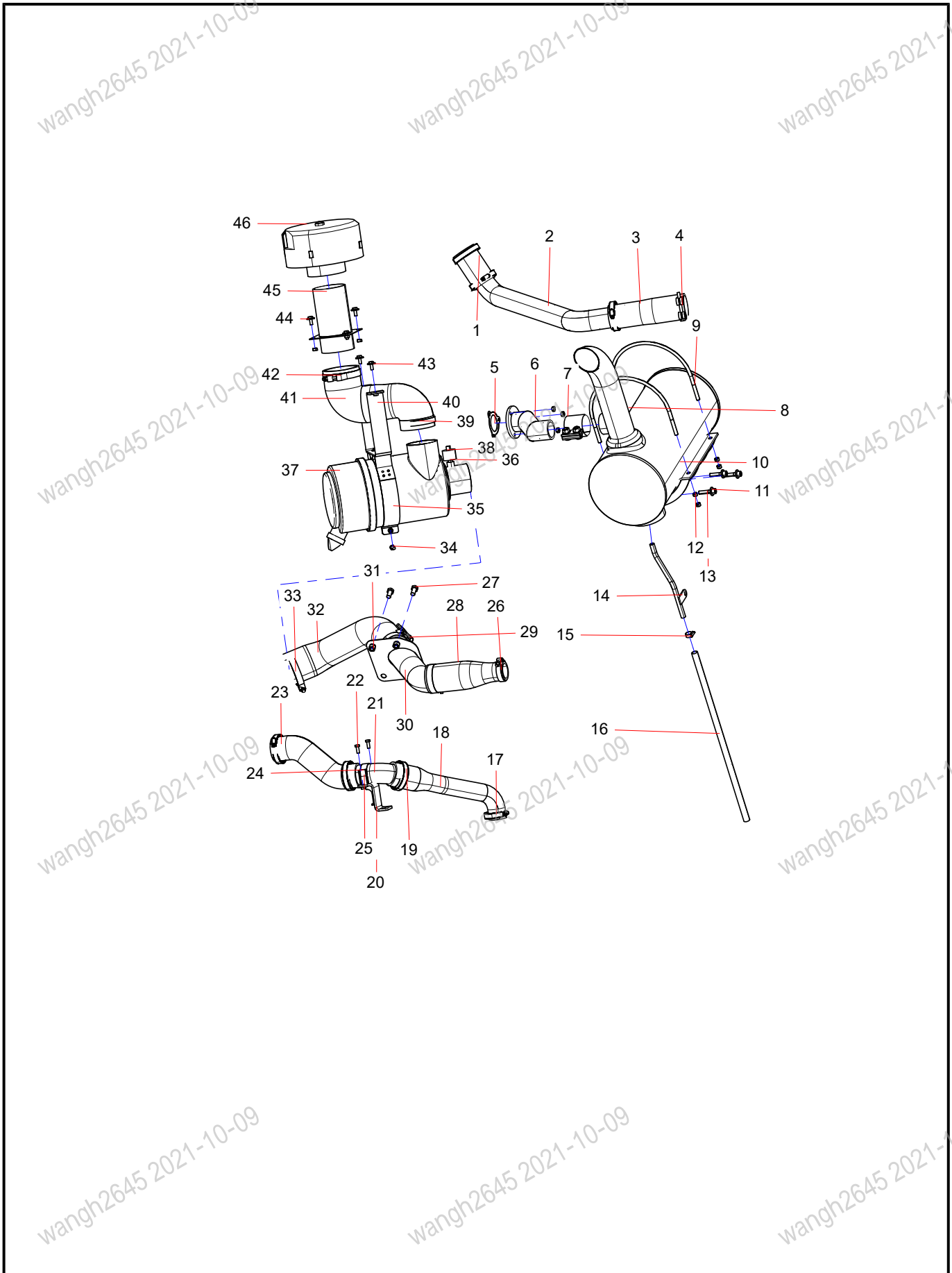




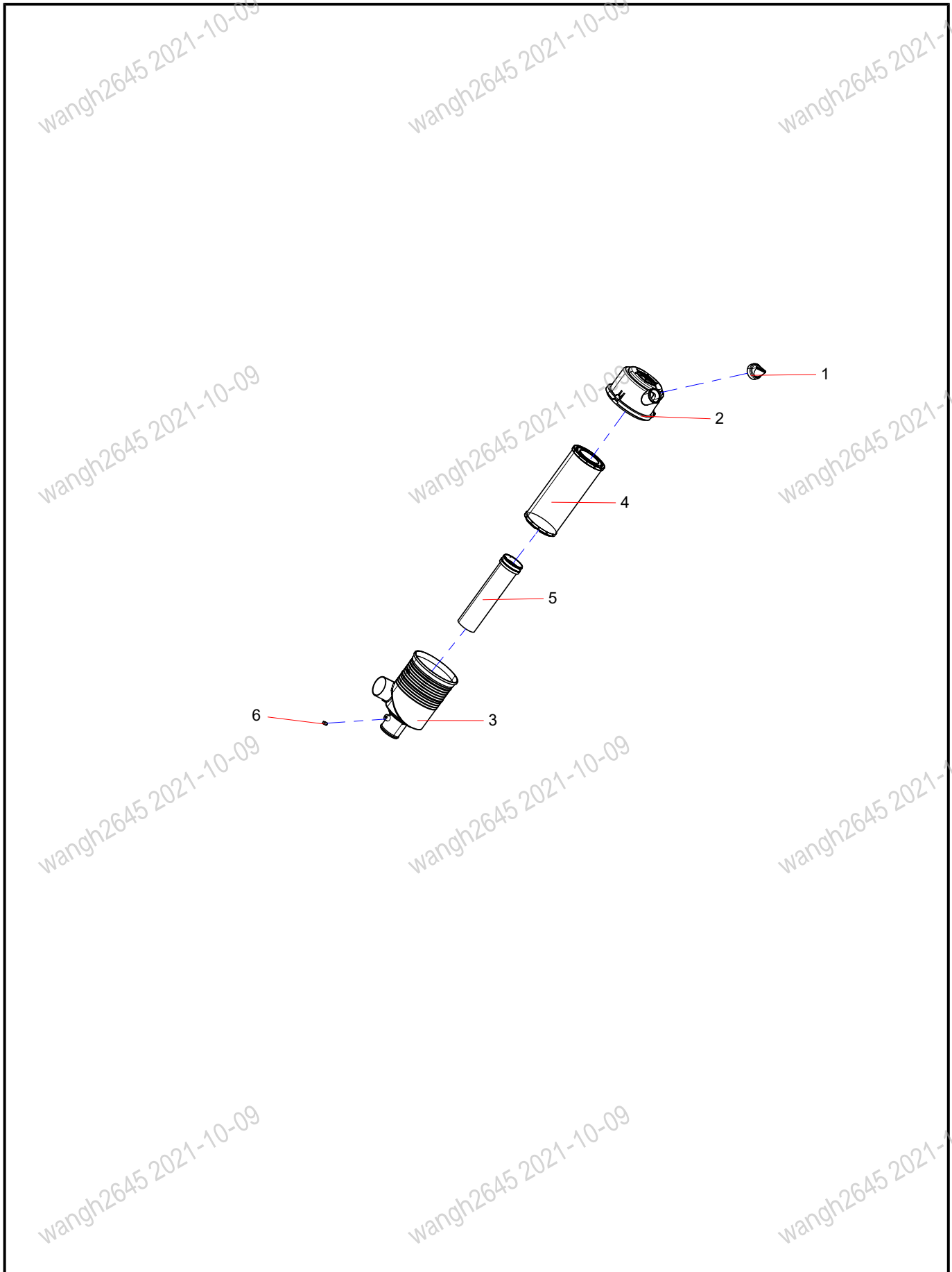
INDEX	PART NO.	DESCRIPTION	QTY	SEE PAGE
1	B220201000027	the radiator of fuel	1	
2	60286414	Radiator	1	
3	60286413	Radiator	1	
4	60286415	Radiator	1	



INDEX	PART NO.	DESCRIPTION	QTY	SEE PAGE
1	10788287	Rubber hose I	1	
2	13421601	Exhaust pipe of intercooler	1	
3	10788285	Rubber hose III	1	
4	A229900006067	T-clamp	1	
5	B229900002663	Supercharging-exhaust tube washer	1	
6	10788304	Exhaust connecting tube	1	
7	B210840000021	Pipe Clamp	1	
8	10788284	U type bolt	2	
9	60018582	Muffler assembly	1	
10	10788306	Bracket	1	
11	A210491000120	Washer	3	
12	A210307000055	Nut	16	
13	A210204000364	Screw	3	
14	10788305	Drainage pipe	1	
15	A229900001347	Hose Hoop	1	
16	A820606020626	Water Plastic Tube	1	
17	60240503	Clamp	1	
18	13421600	intercooled air-intake pipe	1	
19	60202886	Clamp	6	
20	14218901	steel tube support	1	
21	13418053	stainless steel tube	1	
22	A210111000343	Bolt	8	
23	13418056	intercooled air-intake pipe	1	
24	13688163	Protective sleeve	1	
25	13722058	bracket	1	
26	60001972	T-type Clamp	1	
27	A210111000101	Bolt	2	
28	13495406	air intake tube	1	
29	A229900003759	T-type Clamp	2	
30	14021985	air intake stainless steel tube	1	
31	A210307000031	Nut	2	
32	13495405	air intake tube	1	
33	A229900002222	T-type Clamp	1	
34	A210111000293	Bolt	1	
35	10181386	Air cleaner anchor ear	1	
36	B229900003909	Sensor adaptor of air cleaner	1	
37	B222100000458	Air cleaner	1	2-54
38	60148482	Air Cleaner Sensor	1	
39	A229900001659	T-bolt Clamp	1	
40	13418704	air filtering bracke	1	

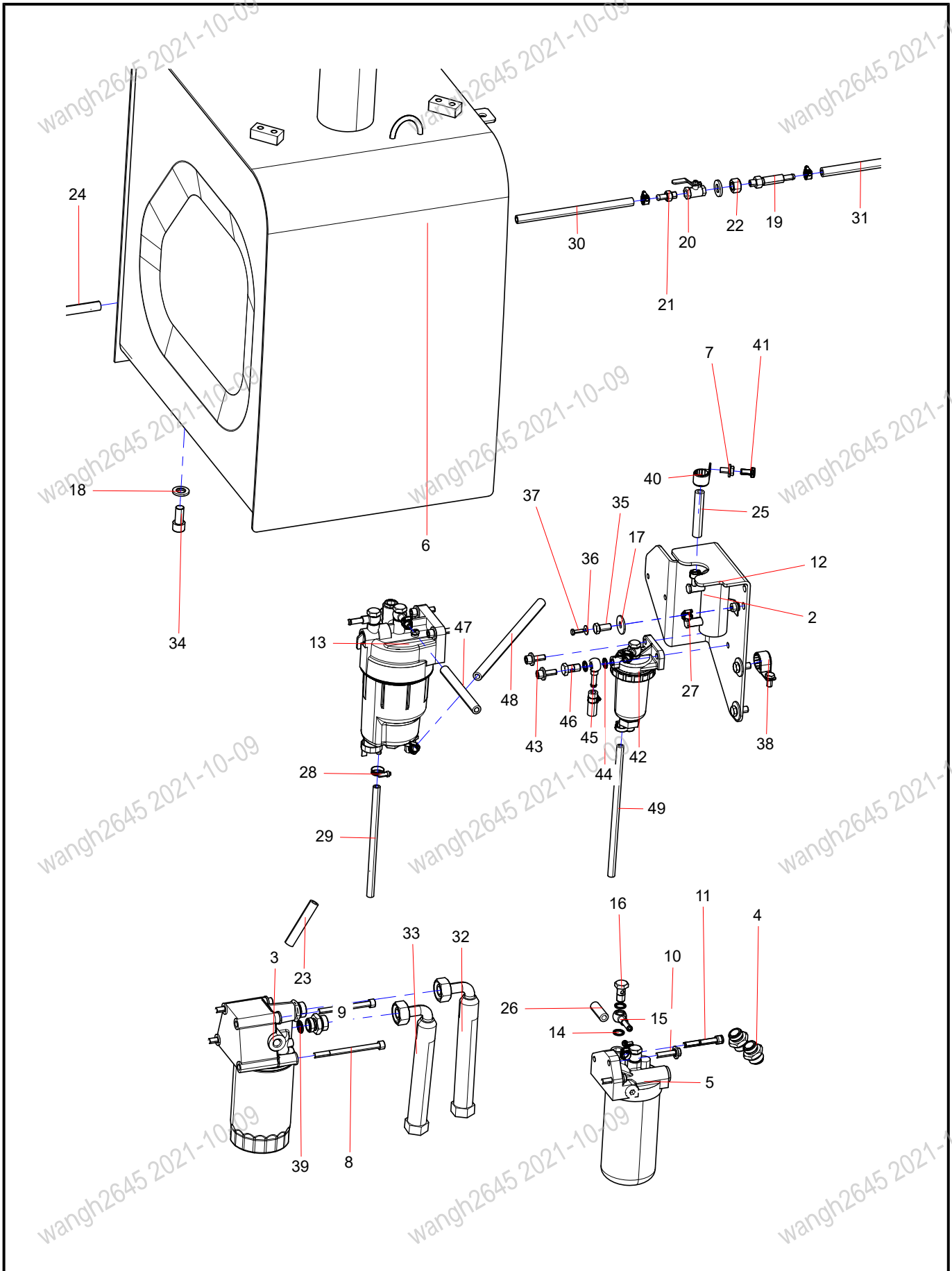


INDEX	PART NO.	DESCRIPTION	QTY	SEE PAGE
41	13418055	air intake rubber hose	1	
42	A229900002263	Clamp, T-type	1	
43	24000633	Washer	4	
44	60060565	Washer	4	
45	13508381	prefilter connecting pipe	1	
46	60269357	pre-separation	1	



INDEX	PART NO.	DESCRIPTION	QTY	SEE PAGE
1	60078235	VALVE	1	
2	60180746	Cover Assembly	1	
3	60180747	Body Assembly	1	
4	B222100000500	Filter Core, Main, Air Filter	1	
5	B222100000501	Filter Core, Safety, Air Filter	1	
6	60180748	Plug	1	

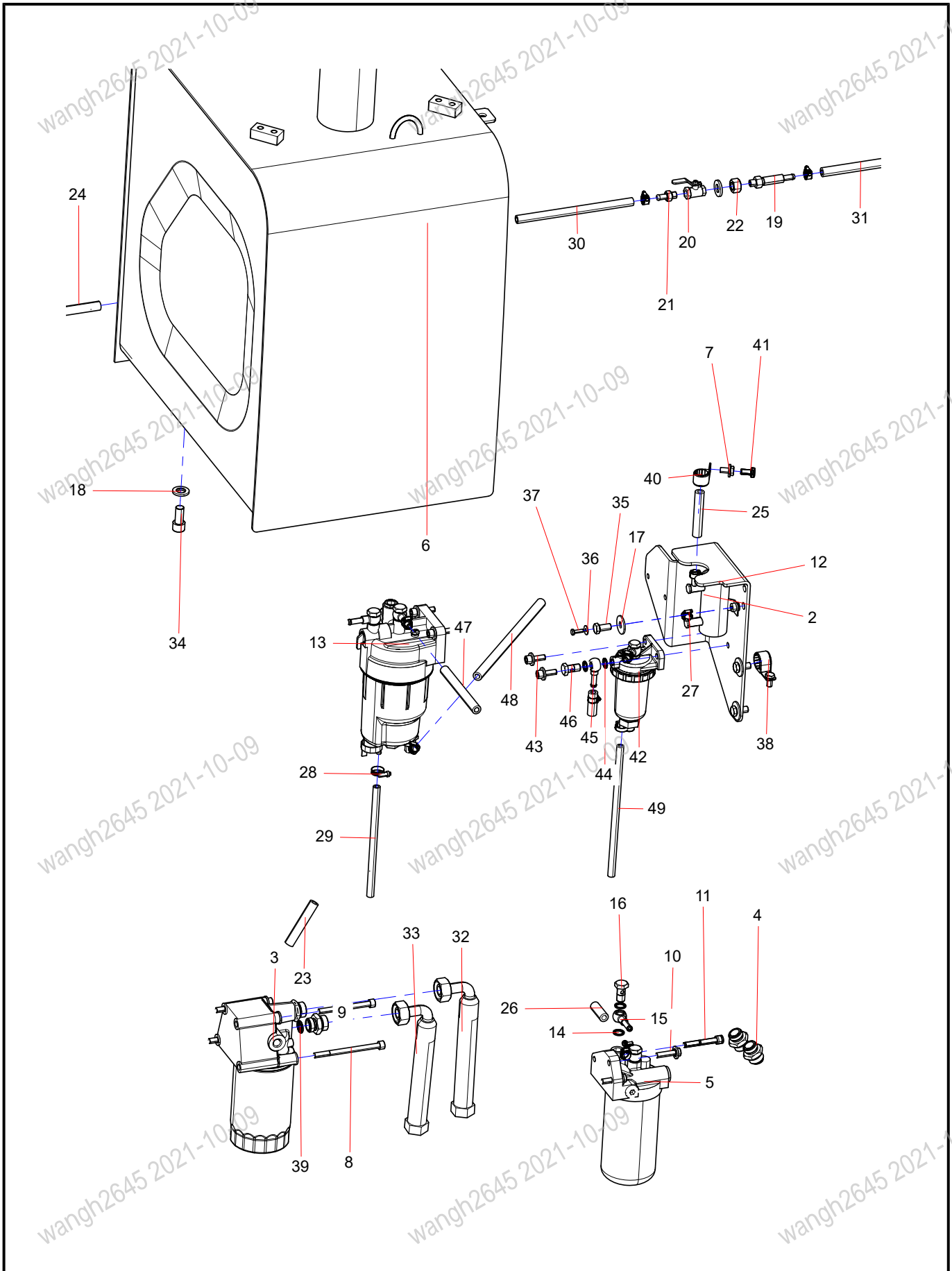
13444518 Fuel system assembly



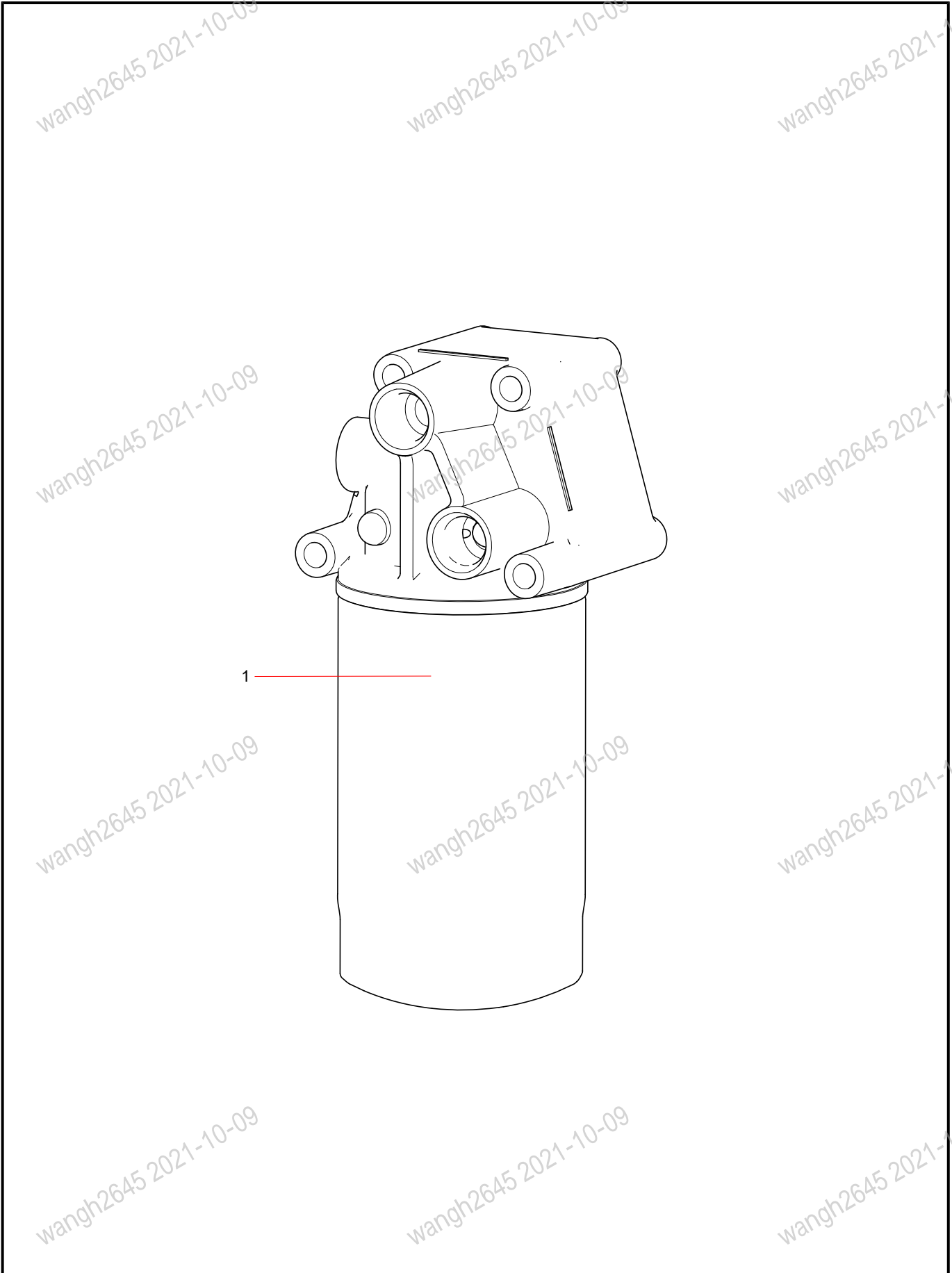


INDEX	PART NO.	DESCRIPTION	QTY	SEE PAGE
2	SSY005414906	Mounting plate of fuel filtering	1	
3	B222100000560	Oil Filter	1	2-60
4	A820205000942	Fitting	4	
5	60250940	Fule Filter	1	
6	13605252	fuel tank assembly	1	2-62
7	A210491000120	Washer	12	
8	21008534	Screw	2	
9	A210204000477	Screw	2	
10	A210204000355	Screw	4	
11	A210204000345	Screw	2	
12	60018583	Fuel Pump	1	
13	60307172	Fuel Filter Assembly	1	
14	A210434000008	Washer	8	
15	12252608	Fuel Pipe Joint M16-D10	4	
16	A210199000016	Articulated Bolt	4	
17	60060548	Washer	3	
18	A210491000118	Washer	7	
19	11251714	Adapter	1	
20	60046622	Switch, Fuel	1	
21	11331654	Adapter	1	
22	A210307000028	Nut	1	
23	13614720	fuel pipe	1	
24	13614426	fuel pipe	1	
25	13614719	fuel pipe	1	
26	13614712	fuel pipe	2	
27	21053360	Hose Hoop	17	
28	A229900001345	Clamp	1	
29	11127565	drainage tube	1	
30	13515834	drainage tube	1	
31	12350706	Drainage tube	1	
32	60044059	Engine Oil Rubber Hose	1	
33	61031639	Engine Oil Rubber Hose	1	
34	A210204000198	Screw	6	
35	A210111000101	Bolt	3	
36	60238783	Washer	2	
37	A210111000080	Bolt	2	
38	60086356	Harness Fixed Frame	1	
39	B230101000356	O-ring	4	
40	60086355	Clamp	1	
41	A210111000012	Bolt	6	

13444518 Fuel system assembly

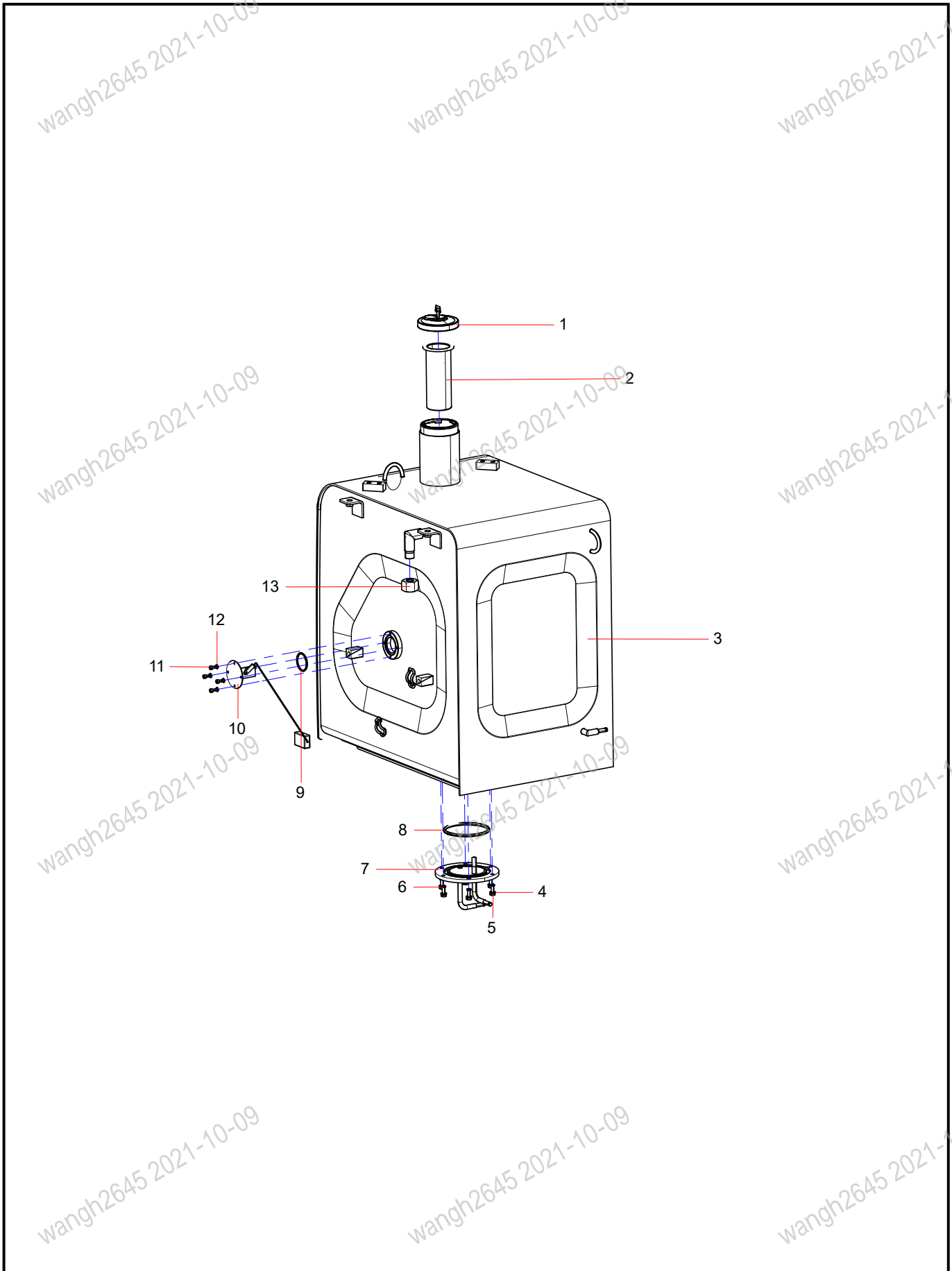


INDEX	PART NO.	DESCRIPTION	QTY	SEE PAGE
42	160603010045A	Oil Water Separator	1	
43	A210204000354	Screw	2	
44	A210434000007	Washer	4	
45	12221186	Fuel Pipe Joint	2	
46	A210459000007	Articulated Bolt	2	
47	SSY005414921	fuel pipe	1	
48	14045624	Oil tube of fuel pump	1	
49	SSY005416222	drainage tube	1	



INDEX	PART NO.	DESCRIPTION	QTY	SEE PAGE
1	23991450	Filter Core	1	

13605252 fuel tank assembly

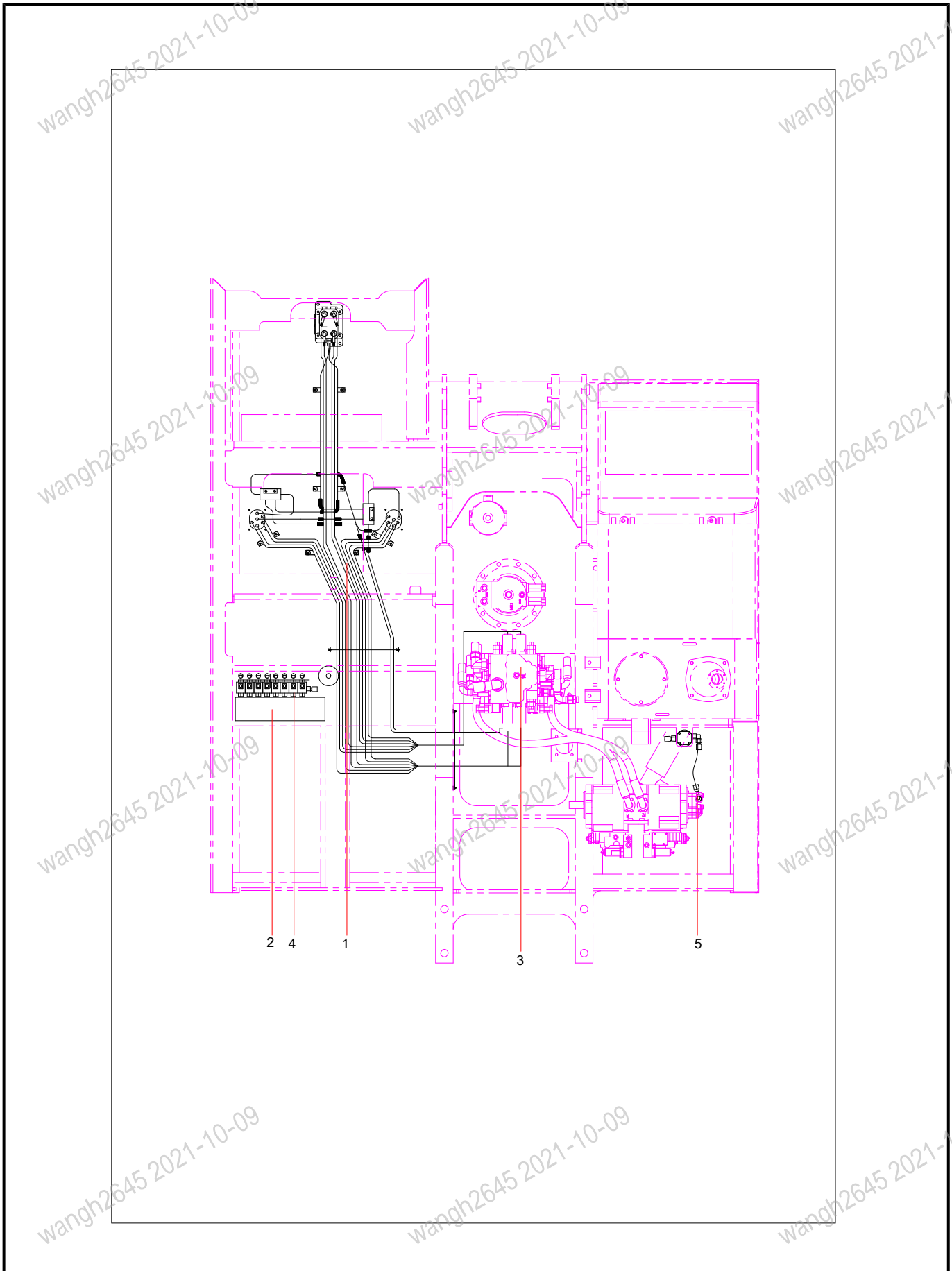


2-62 slewing device

SY135C9I3K(US).0

INDEX	PART NO.	DESCRIPTION	QTY	SEE PAGE
1	A290000002193	Lock, Door	1	
2	B222100000201	Fuel Filter (Excavator)	1	
3	13805255	Fuel Tank	1	
4	24000633	Washer	6	
5	A210111000090	Bolt	6	
6	24000511	Washer	6	
7	13603012	bottom cap	1	
8	A210609000352	O-ring	1	
9	B230101000457	O-ring	1	
10	60029642	Sensor Gp,Fuel Level	1	
11	A210204000129	Screw	4	
12	24000632	Washer	4	
13	10210082	Screw Plug	1	

13838335 pilot rube hose

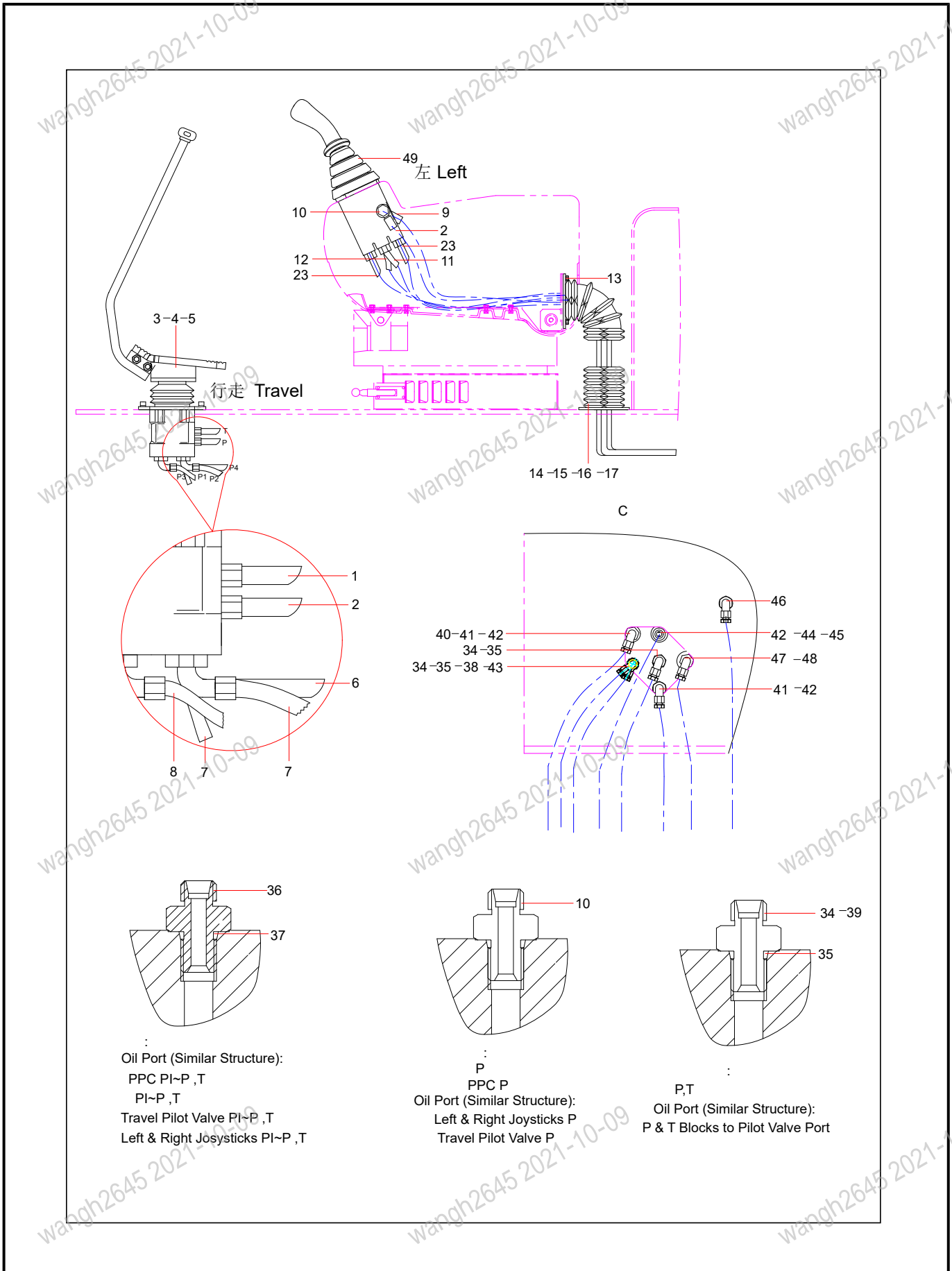


2-64 slewing device

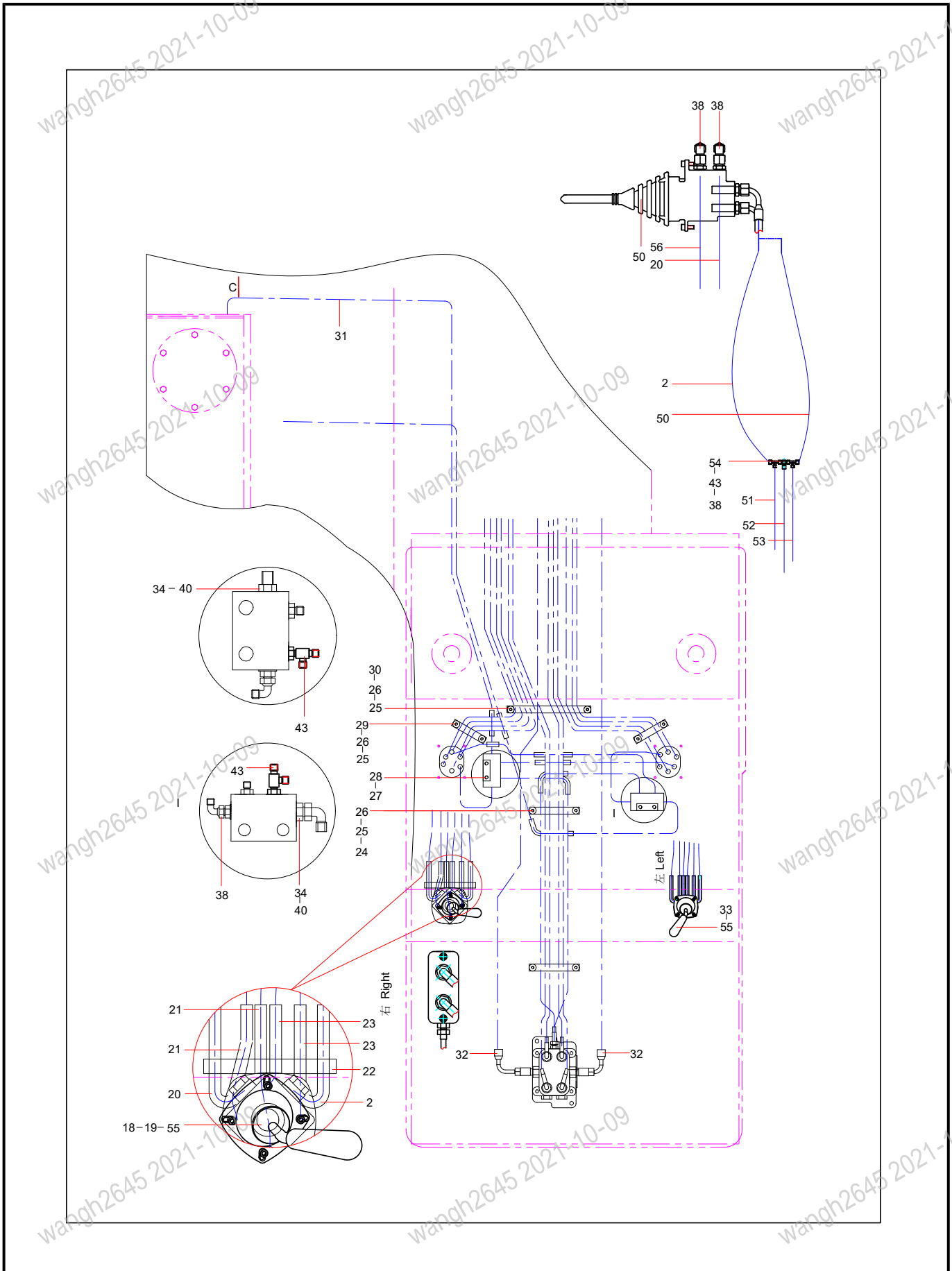
SY135C9I3K(US).0



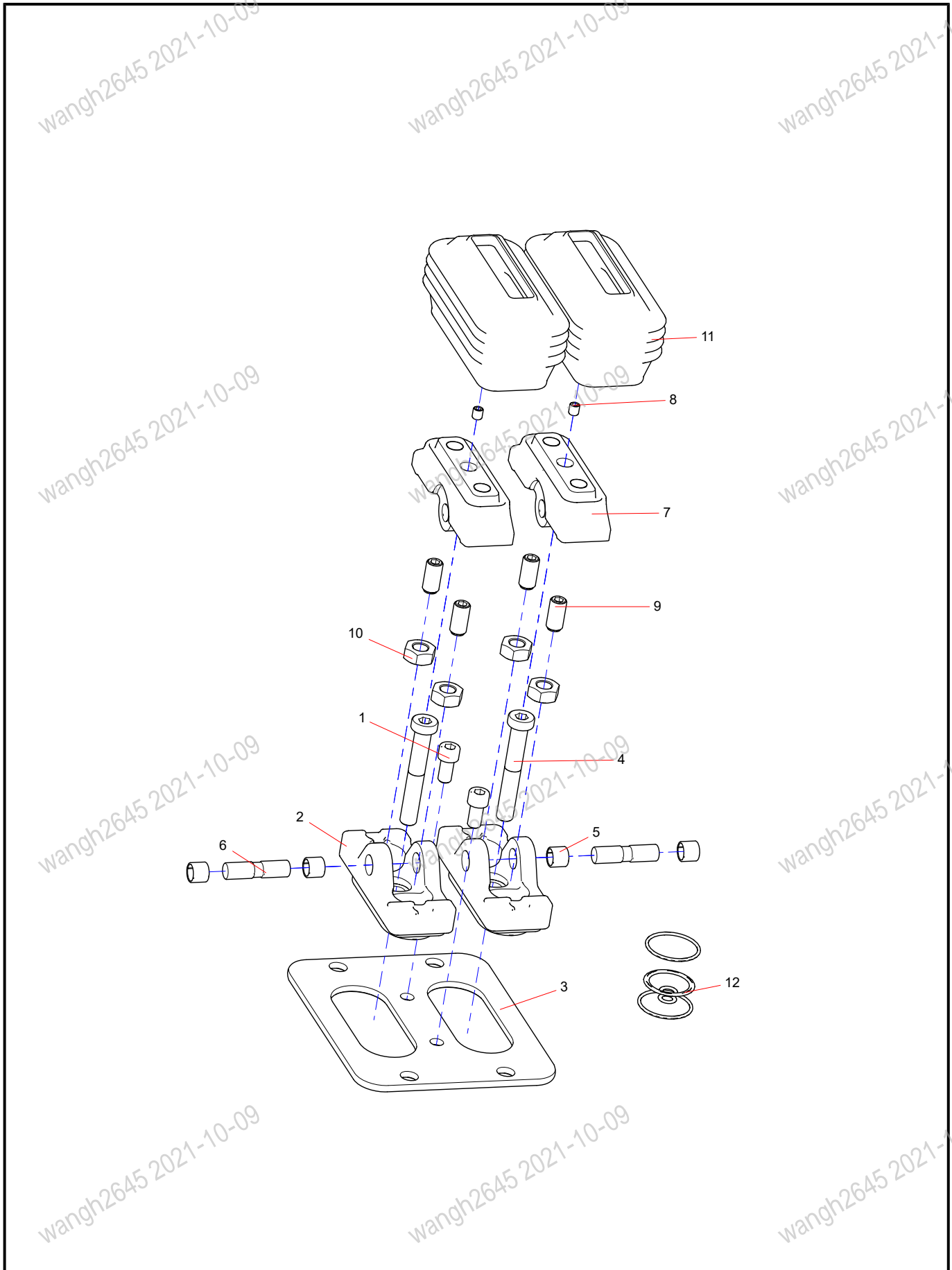
INDEX	PART NO.	DESCRIPTION	QTY	SEE PAGE
1	13838251	PPC pipeline	1	2-66
2	13838265	Sensor Transition Pipeline	1	2-80
3	13838273	Main Valve Pipeline	1	2-94
4	13838275	Electromagnetic valve pipeline	1	2-104
5	13838276	Main pump pipeline	1	2-124



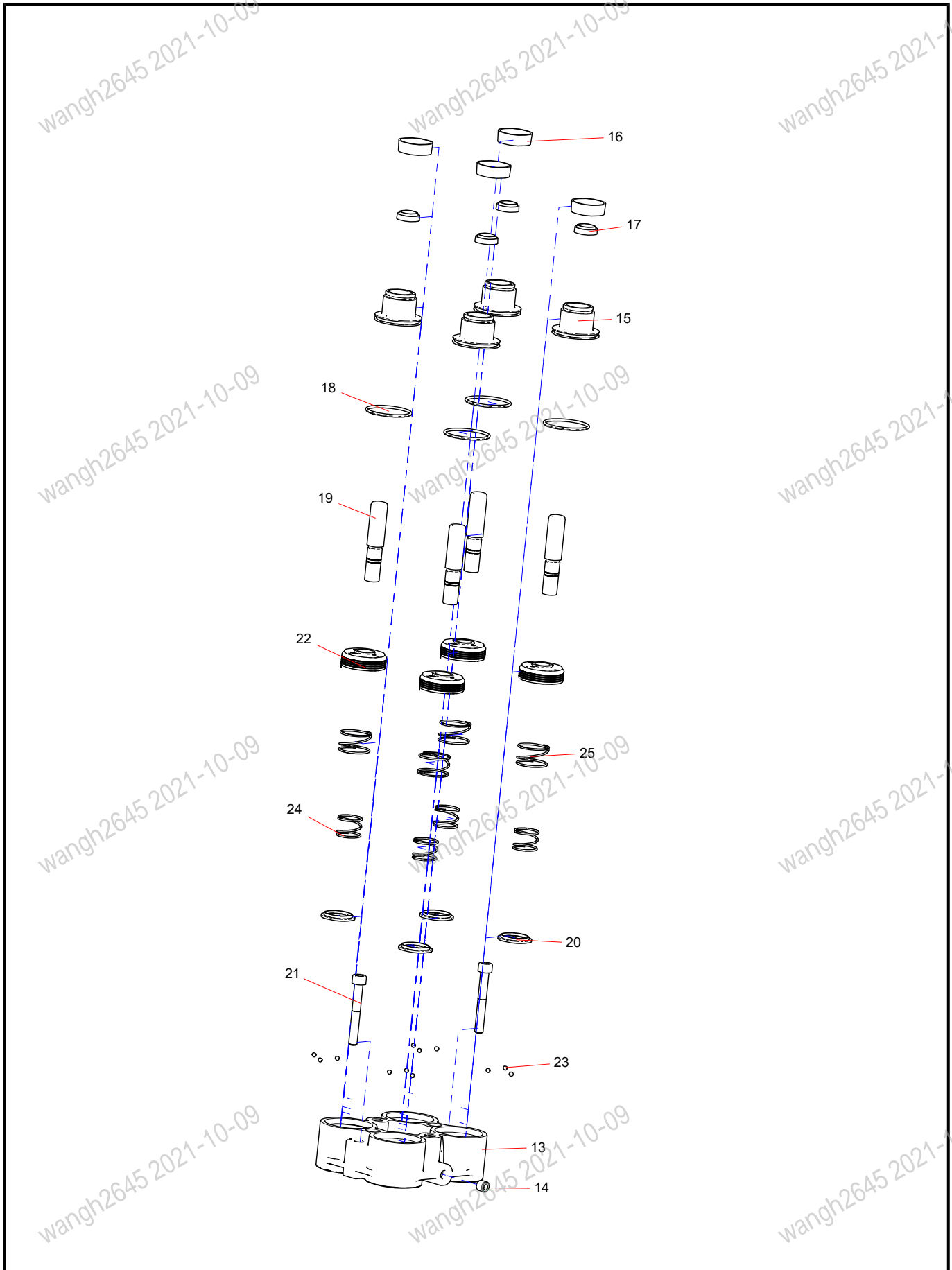
INDEX	PART NO.	DESCRIPTION	QTY	SEE PAGE
1	B230103004256	Hose AS	1	
2	A831211095000	Hose AS	2	
3	60170604	Travelling Pilot Valve	1	2-70
4	A210111000197	Bolt	4	
5	24000512	Washer	8	
6	B230103002705	hose	1	
7	B230103000897	Rubber hose	2	
8	B230103002001	Hose AS	1	
9	A831211120000	Hose Assembly	1	
10	60020078	Fitting, Screen	3	
11	B230103002722	Hose	1	
12	B230103001358	Hose	1	
13	60060564	Washer	12	
14	24000632	Washer	8	
15	A210111000078	Bolt	20	
16	A820601990336	Bellows	2	
17	A820601990304	Flange	2	
23	B230103008478	Hose Assembly	4	
34	A230101000247	O-ring	8	
35	21002840	Fitting	8	
36	21002815	Fitting	21	
37	B230101000047	O-ring	24	
38	B210780000418	Fitting, Elbow	7	
39	A820205000894	Fitting	2	
40	B210780000024	Fitting, Elbow	2	
41	A229900003874	Pipe connector	2	
42	A230101000243	O-ring	3	
43	B210780000170	Three Way Combination Joint	5	
44	10077549	Connector	1	
45	60060301	Temperature Sensor	1	
46	A820205000836	Connector	1	
47	A820205000837	M24-M30Joint	1	
48	A229900001581	O-ring	2	
49	60247936	Pilot Valve	1	2-78



INDEX	PART NO.	DESCRIPTION	QTY	SEE PAGE
2	A831211095000	Hose AS	2	
18	60137563	Right Handle	1	
19	60214001	Pilot-control Valve	2	2-76
20	B230103002263	Hose ASSY	2	
21	B230103000988	Hose	2	
22	A239900000065	Nylon Belting	6	
23	B230103008478	Hose Assembly	4	
24	11243372	Pressure Plate	2	
25	A210204000339	Screw	10	
26	24000511	Washer	10	
27	A820199000360	Pt Block	2	
28	21005186	Bolt	4	
29	11243374	Pressure Plate	2	
30	11243400	Pressure Plate	1	
31	B230103002291	Hose	1	
32	21020054	Rubber Hose	2	
33	60137564	Left Handle	1	
34	A230101000247	O-ring	8	
38	B210780000418	Fitting, Elbow	7	
40	B210780000024	Fitting, Elbow	2	
43	B210780000170	Three Way Combination Joint	5	
50	B230103000982	Hose	1	
51	B230103001434	Hose	1	
52	B230103002343	Hose	1	
53	B230103000985	Hose Assembly	1	
54	B220400000169	Valve, Shuttle, Tee	1	
55	13269044	Handle Guard	2	
56	21032784	Hose Assembly	3	

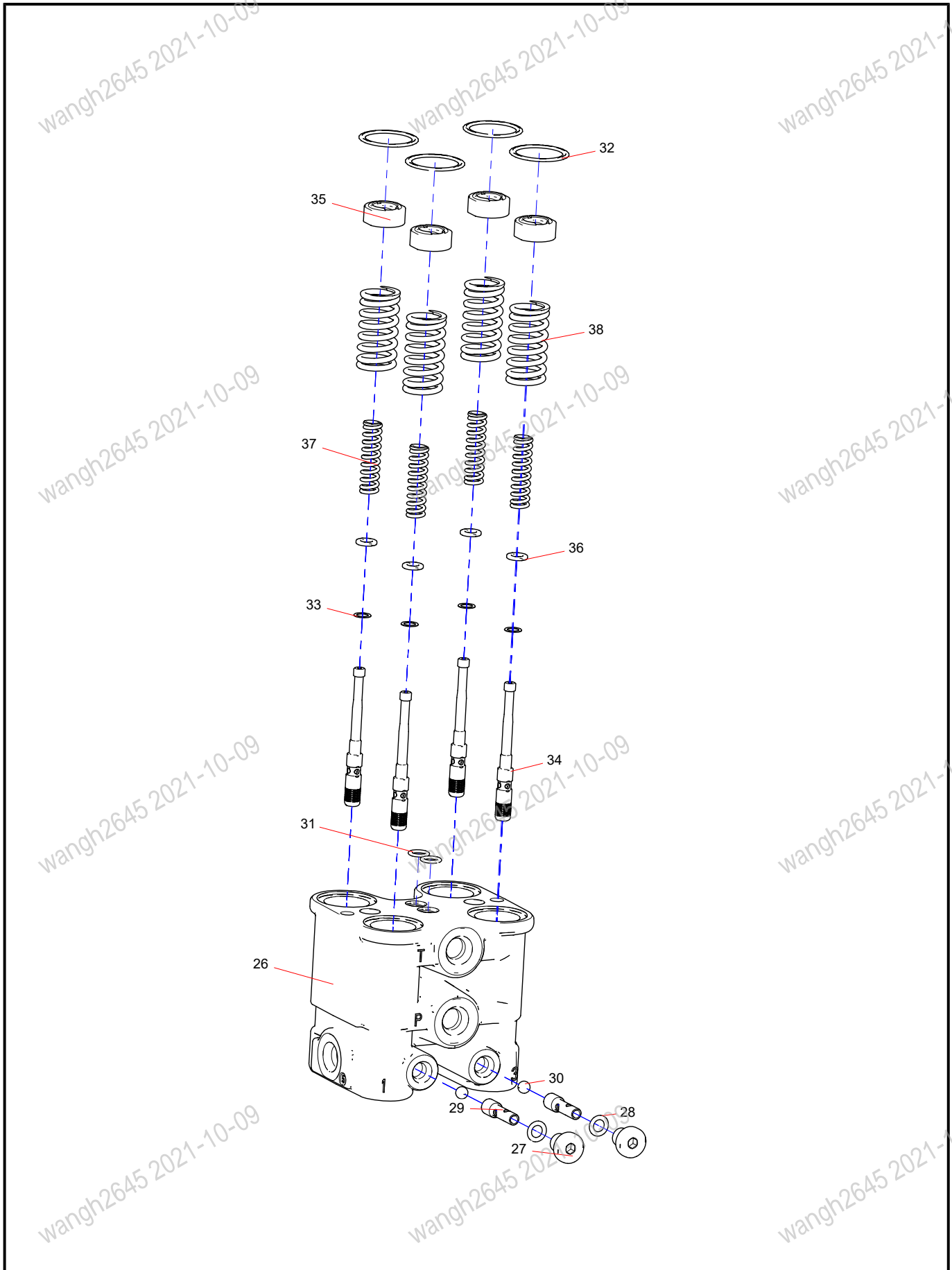


INDEX	PART NO.	DESCRIPTION	QTY	SEE PAGE
1	60237073	Screw	2	
2	60237074	Platen	2	
3	60237075	Mounting Plate	1	
4	60237078	Screw	2	
5	60008690	Bushing	4	
6	60008585	Camshaft	2	
7	60008591	Cam	2	
8	60237082	Set Screw	2	
9	60008592	Adjusting Screw	4	
10	60038480	Nut	4	
11	60237083	Guard	2	
12	60331164	Foot Pilot Valve Repair Kit	1	

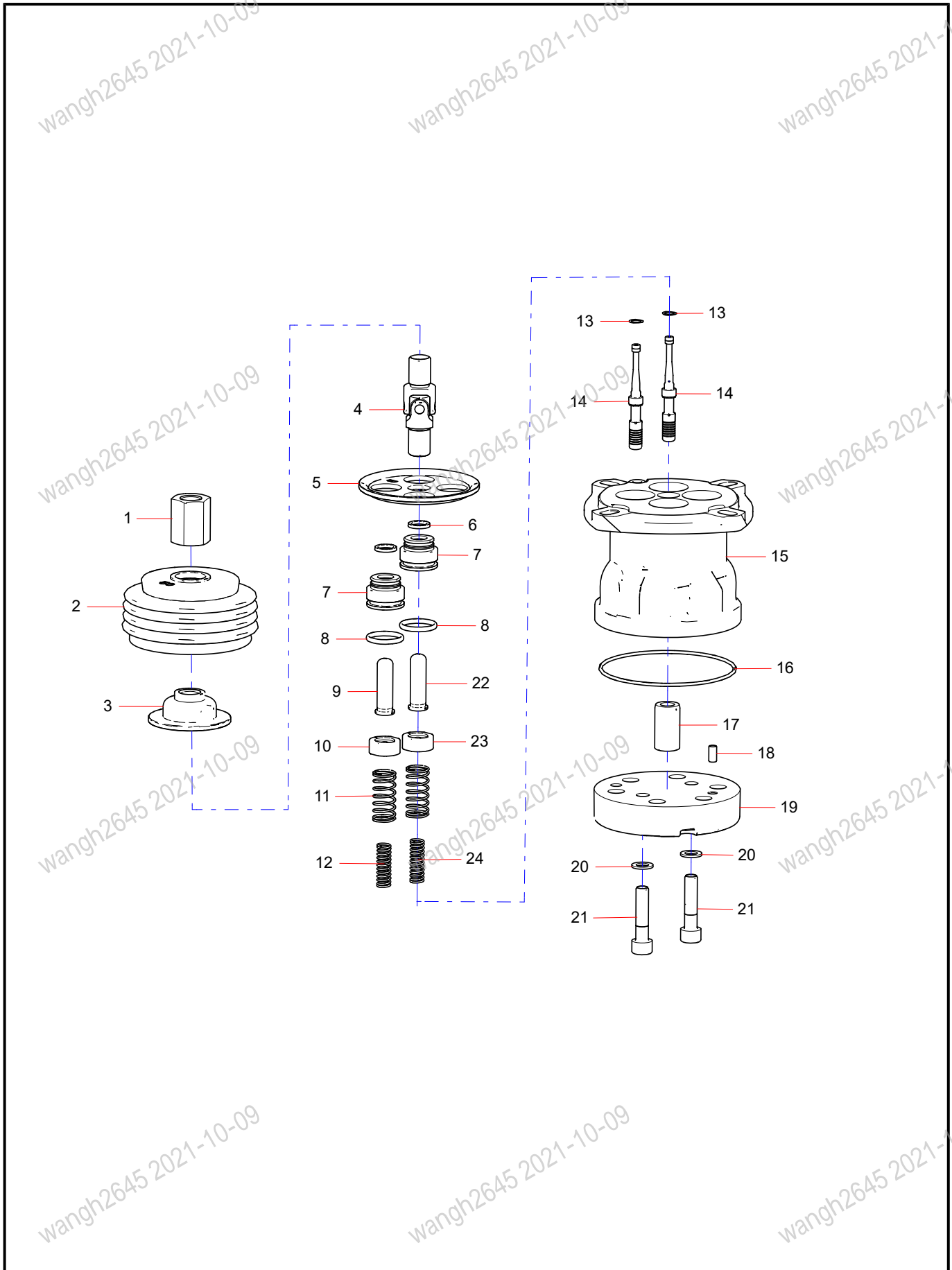




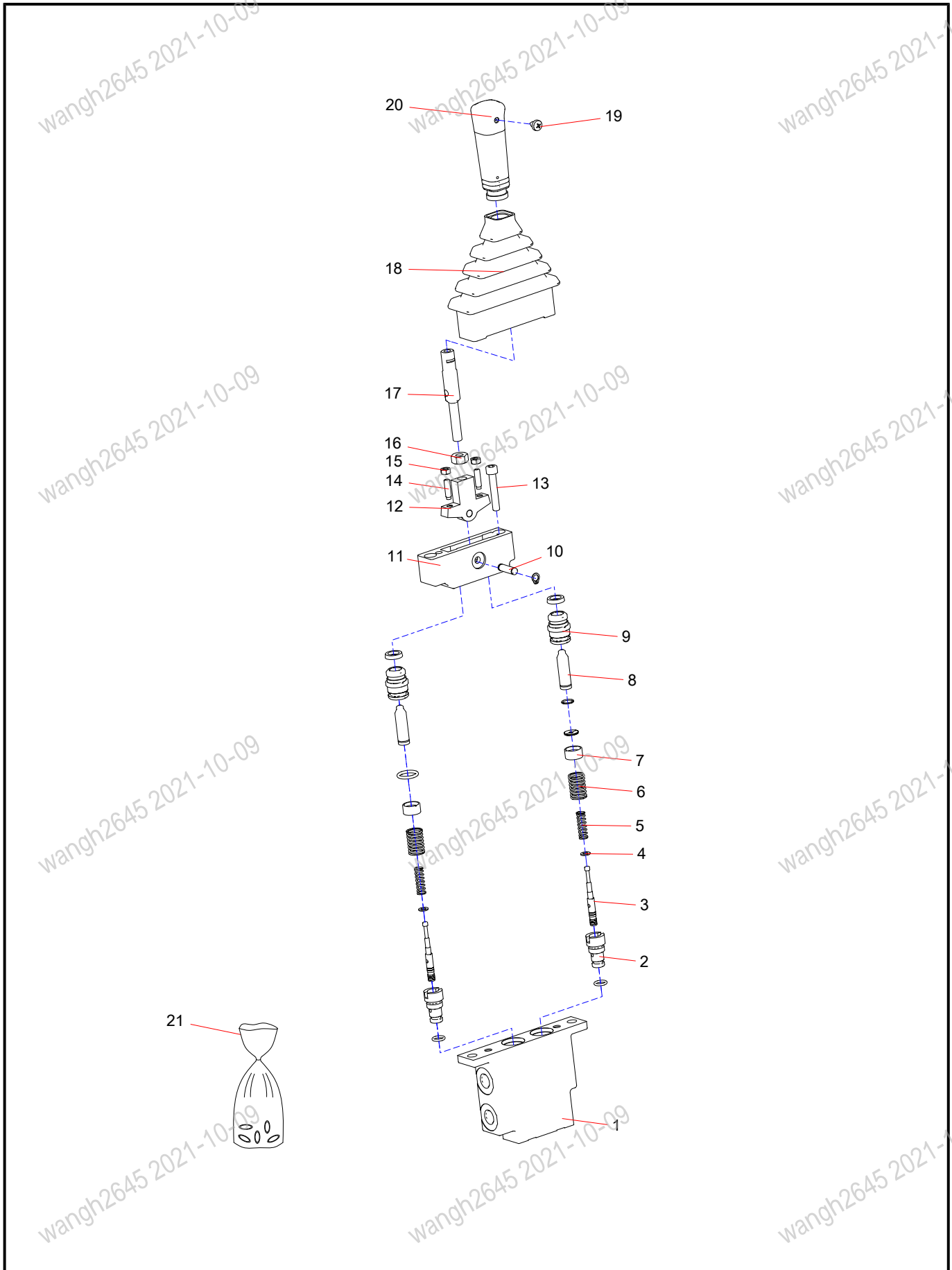
INDEX	PART NO.	DESCRIPTION	QTY	SEE PAGE
13	60237072	Valve Body	1	
14	60008728	Set Screw	1	
15	60163768	Blockage	4	
16	60008754	End Cap	4	
17	60163771	Dust Ring	4	
18	60038720	O-ring	4	
19	60273527	Plunger	4	
20	60008756	Spring Seat	4	
21	60038563	Screw	2	
22	60008803	Piston	4	
23	60237077	Ball	12	
24	60008766	Spring	4	
25	60008767	Spring	4	



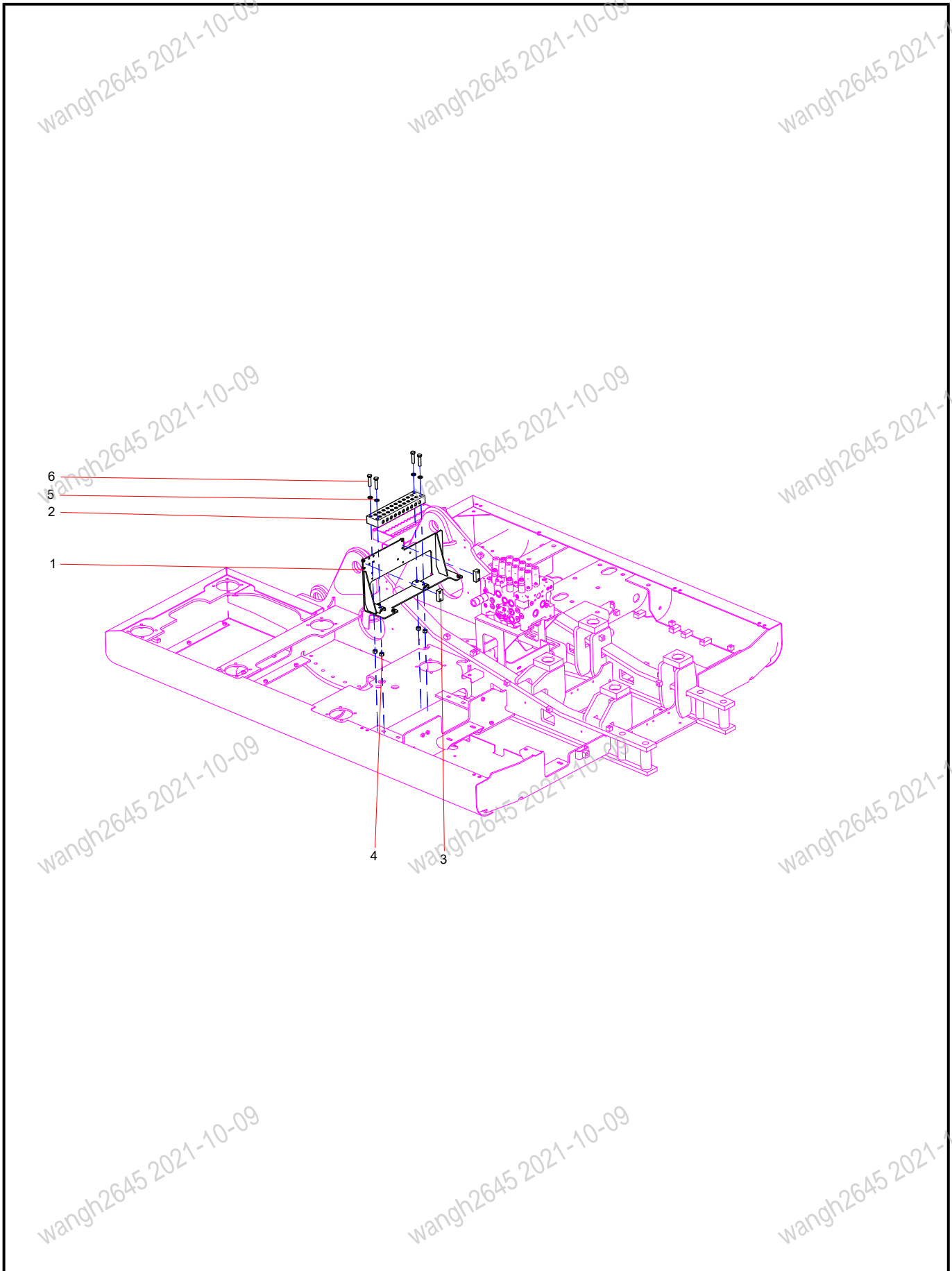
INDEX	PART NO.	DESCRIPTION	QTY	SEE PAGE
26	60273523	Valve Housing	1	
27	60273524	Plug	1	
28	60221657	O-ring	1	
29	60273525	Seat	1	
30	60273526	Ball	1	
31	60038727	O-ring	1	
32	60038820	O-ring	1	
33	60008597	Washer	1	
34	60273528	Spool	1	
35	60237080	Spring Seat	1	
36	60008589	Washer	1	
37	60008594	Spring	1	
38	60038221	Spring	1	



INDEX	PART NO.	DESCRIPTION	QTY	SEE PAGE
1	60038479	Nut	1	
2	60222386	Sealing cover	1	
3	60008809	Circular Plate	1	
4	60008602	Connector	1	
5	60037936	Plate	1	
6	60008603	Sealing Ring	4	
7	60008595	Plug	4	
8	60038715	O-ring(seal)	4	
9	60008599	Push Rod	2	
10	60008758	Spring Seat	2	
11	60008774	Spring	4	
12	60038242	spring	2	
13	60008597	Washer	4	
14	60008760	Spool	4	
15	60008795	Valve Housing	1	
16	60008799	O-ring	1	
17	60008806	Bushing	1	
18	60038259	SPRING PIN	1	
19	60222385	plate	1	
20	60008598	Washer Seal	2	
21	60008786	Screw	2	
22	60038601	PUSH ROD	2	
23	60038272	SPRING SEAT	2	
24	60038241	SPRING	2	

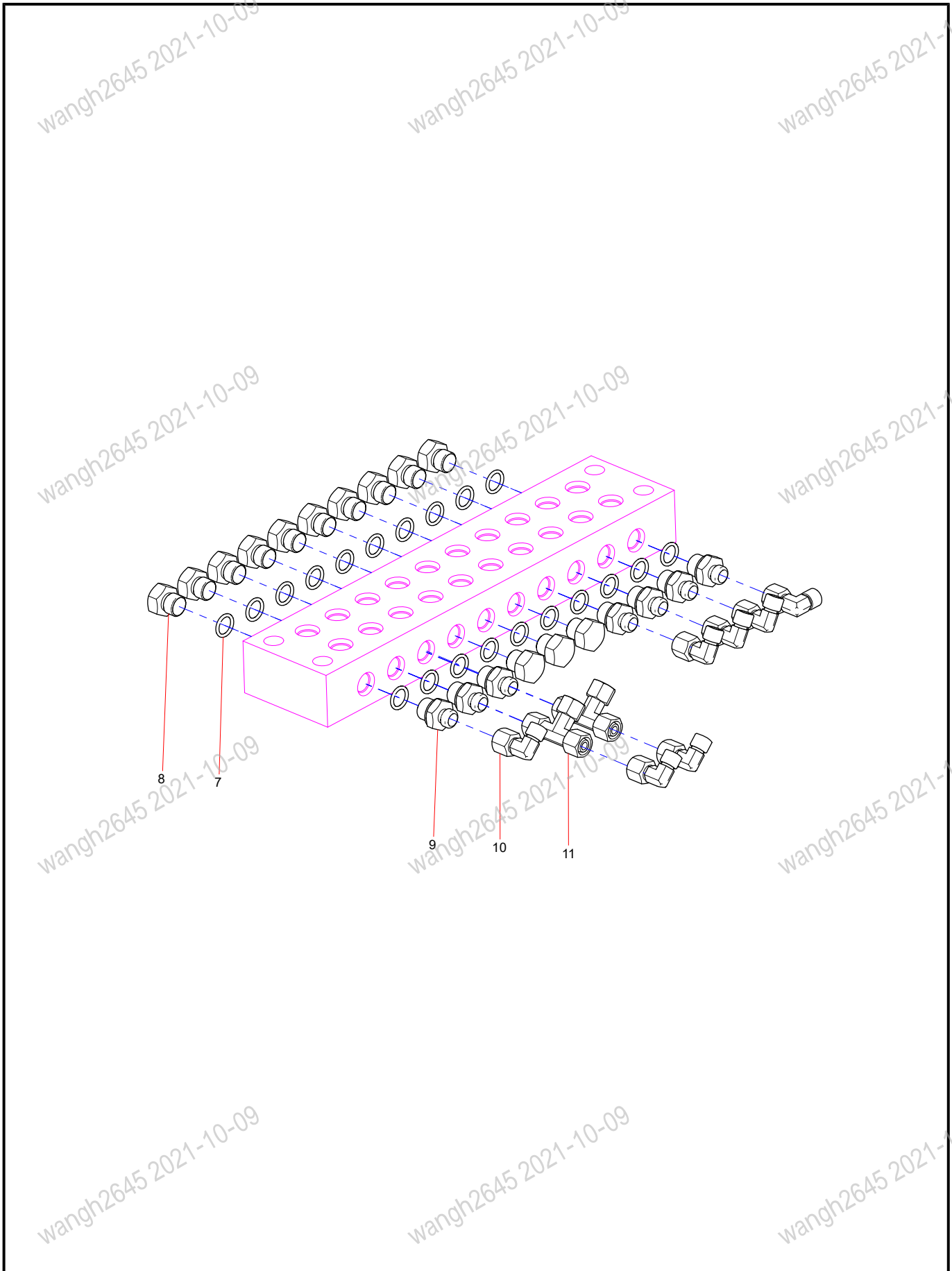


INDEX	PART NO.	DESCRIPTION	QTY	SEE PAGE
1	60290358	Body	1	
2	60290359	Valve Pocket	2	
3	60290360	Spool	2	
4	60290361	Spring Washer	2	
5	60290362	Spring	2	
6	60290363	Spring	2	
7	60290364	Seat	2	
8	60290367	Piston Rod	2	
9	60290368	Copper Sleeve	2	
10	60290370	Pin	1	
11	60290371	Seat	1	
12	60290372	Swing Holder	1	
13	A210204000134	Screw	2	
14	60290373	Screw	2	
15	A210307000015	Nut	2	
16	A210307000012	Nut	1	
17	60290374	Joystick ASSY	1	
18	60290375	Dust Cover	1	
19	60290376	Screw	1	
20	60290377	Cap	1	
21	150588000006	Repair Kit	1	

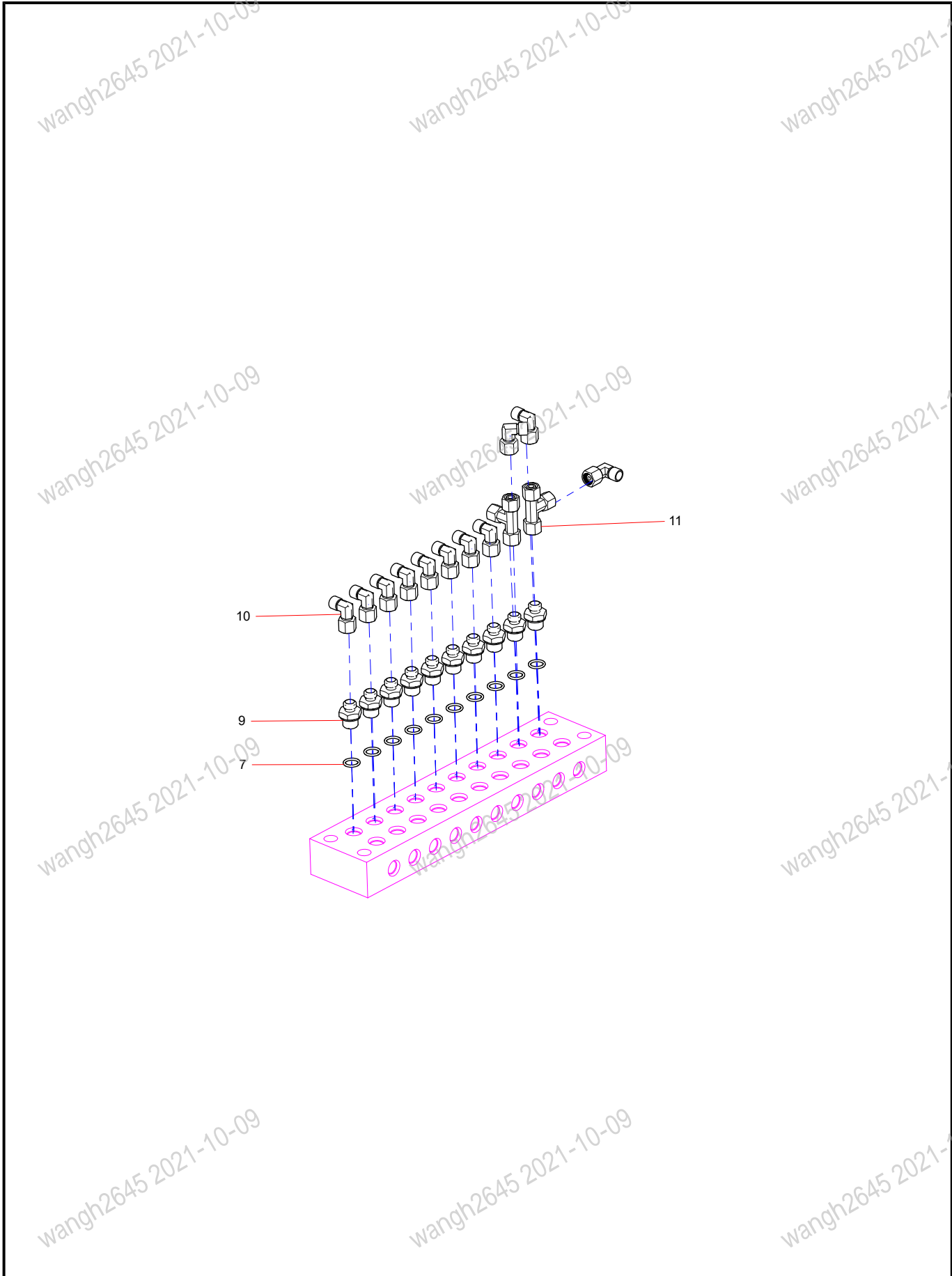




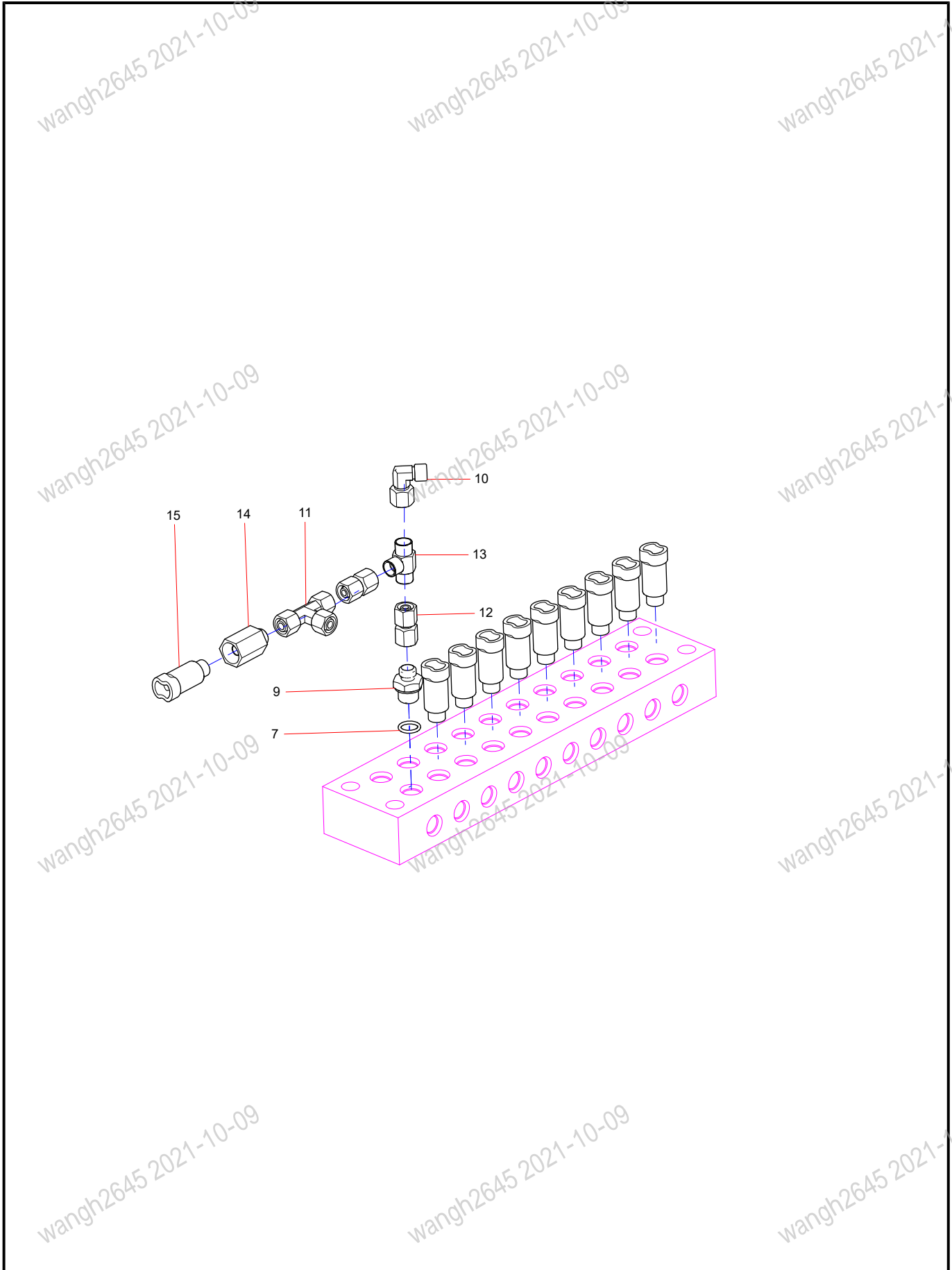
INDEX	PART NO.	DESCRIPTION	QTY	SEE PAGE
1	13048990	Leading valve rack	1	
2	10077269	Transition Block	1	
3	13425090	Plate	2	
4	A210307000002	Nut	4	
5	A210444000001	Washer	4	
6	21005237	Bolt	4	



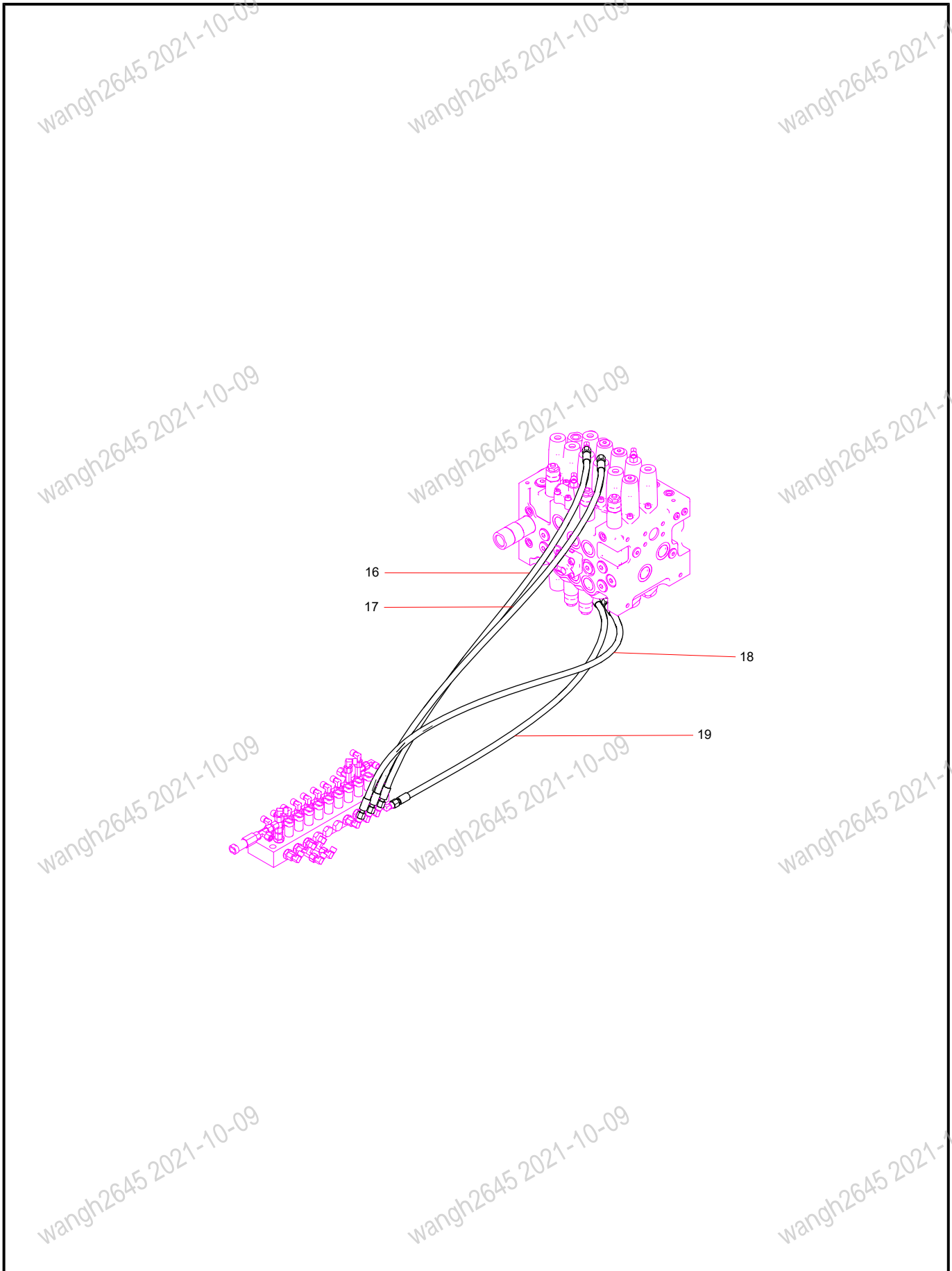
INDEX	PART NO.	DESCRIPTION	QTY	SEE PAGE
7	B230101000049	O-ring	32	
8	A820205000947	Plug	13	
9	21002816	Pipe connector	19	
10	B210780000418	Fitting, Elbow	25	
11	B210780000170	Three Way Combination Joint	6	



INDEX	PART NO.	DESCRIPTION	QTY	SEE PAGE
7	B230101000049	O-ring	32	
9	21002816	Pipe connector	19	
10	B210780000418	Fitting, Elbow	25	
11	B210780000170	Three Way Combination Joint	6	

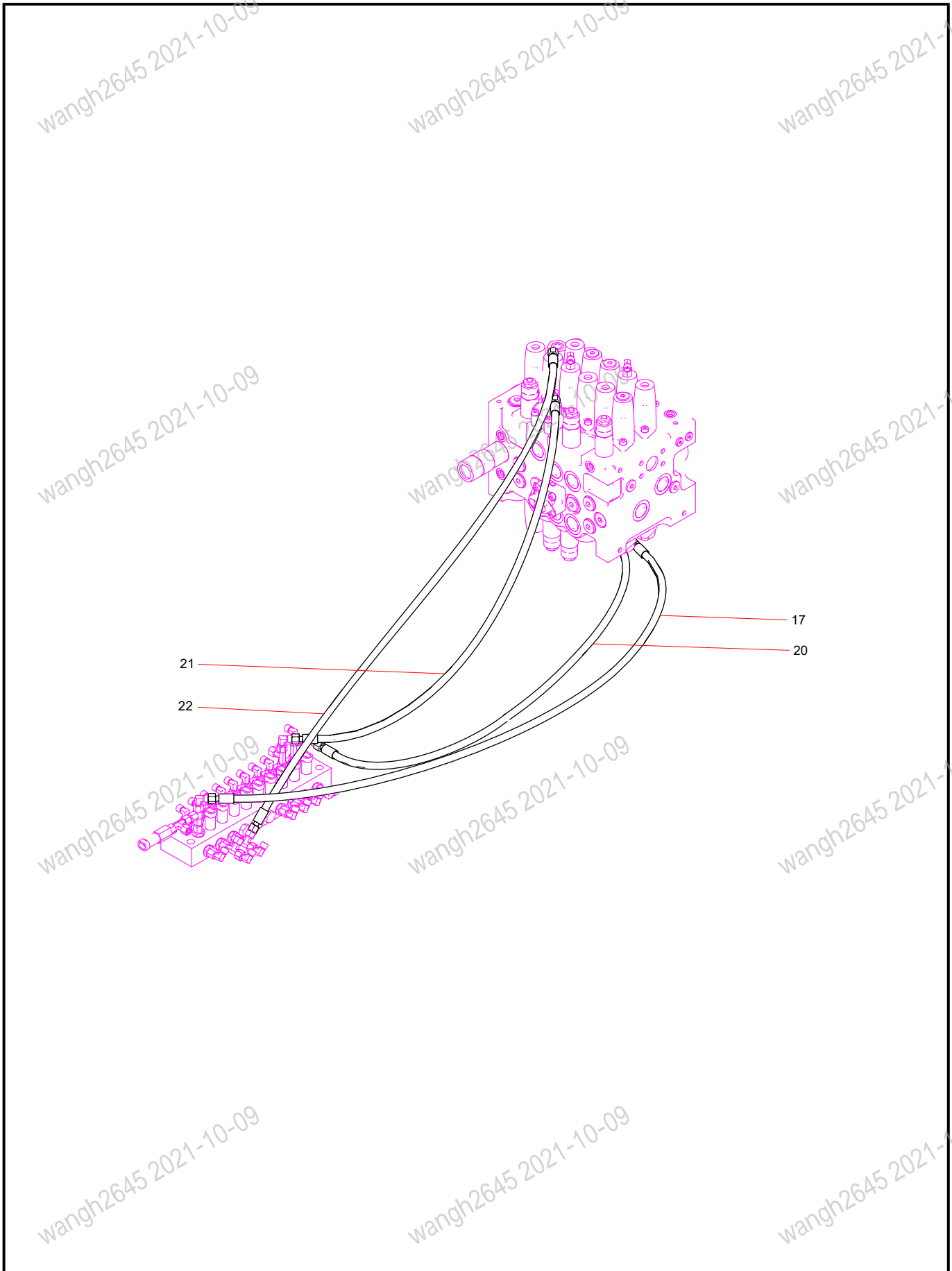


INDEX	PART NO.	DESCRIPTION	QTY	SEE PAGE
7	B230101000049	O-ring	32	
9	21002816	Pipe connector	19	
10	B210780000418	Fitting, Elbow	25	
11	B210780000170	Three Way Combination Joint	6	
12	B210780001045	Fitting	2	
13	B220400000169	Valve, Shuttle, Tee	1	
14	A820205001061	Pressure Sensor Connector	1	
15	60114798	Pressure Sensor	10	

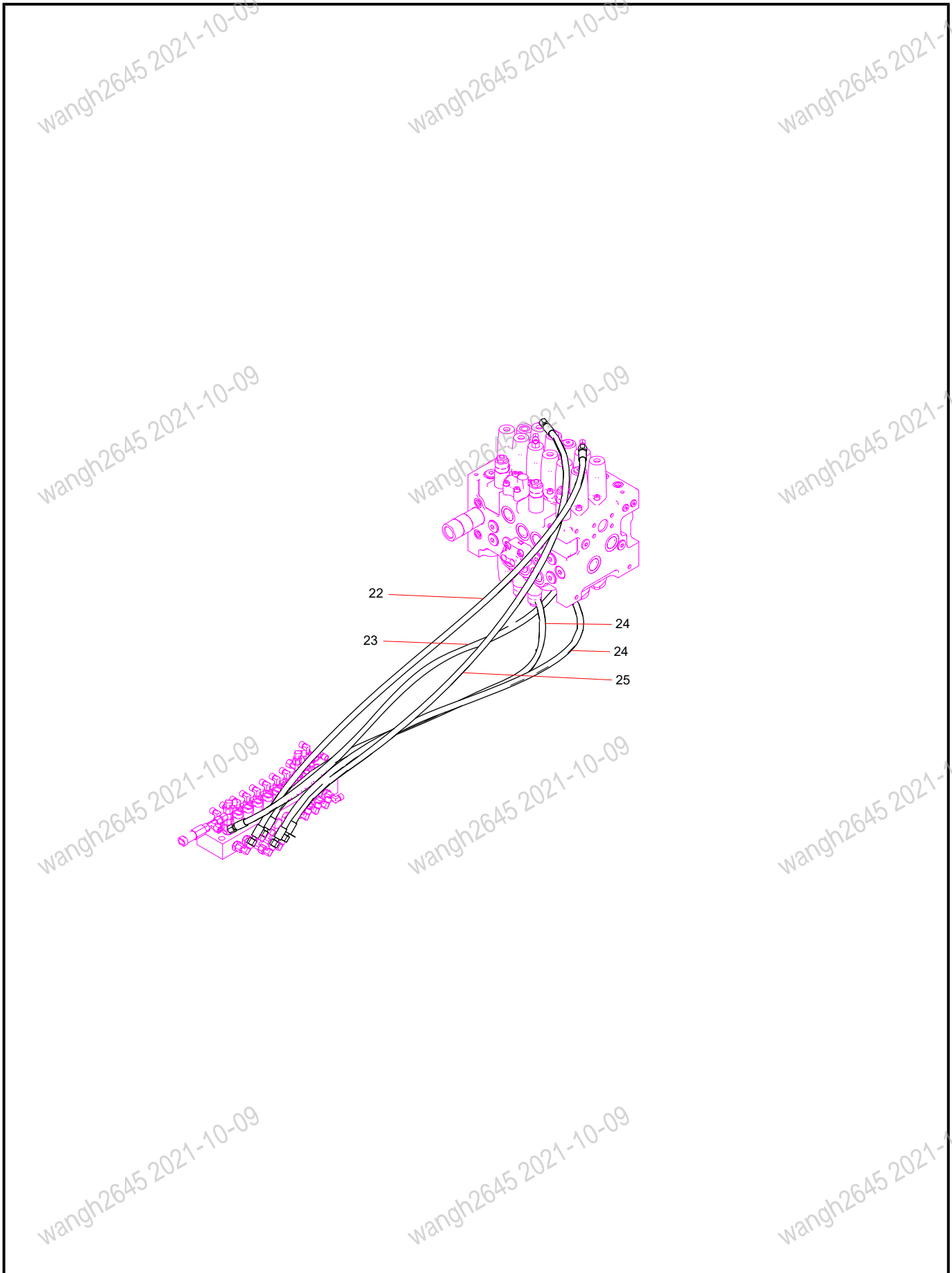




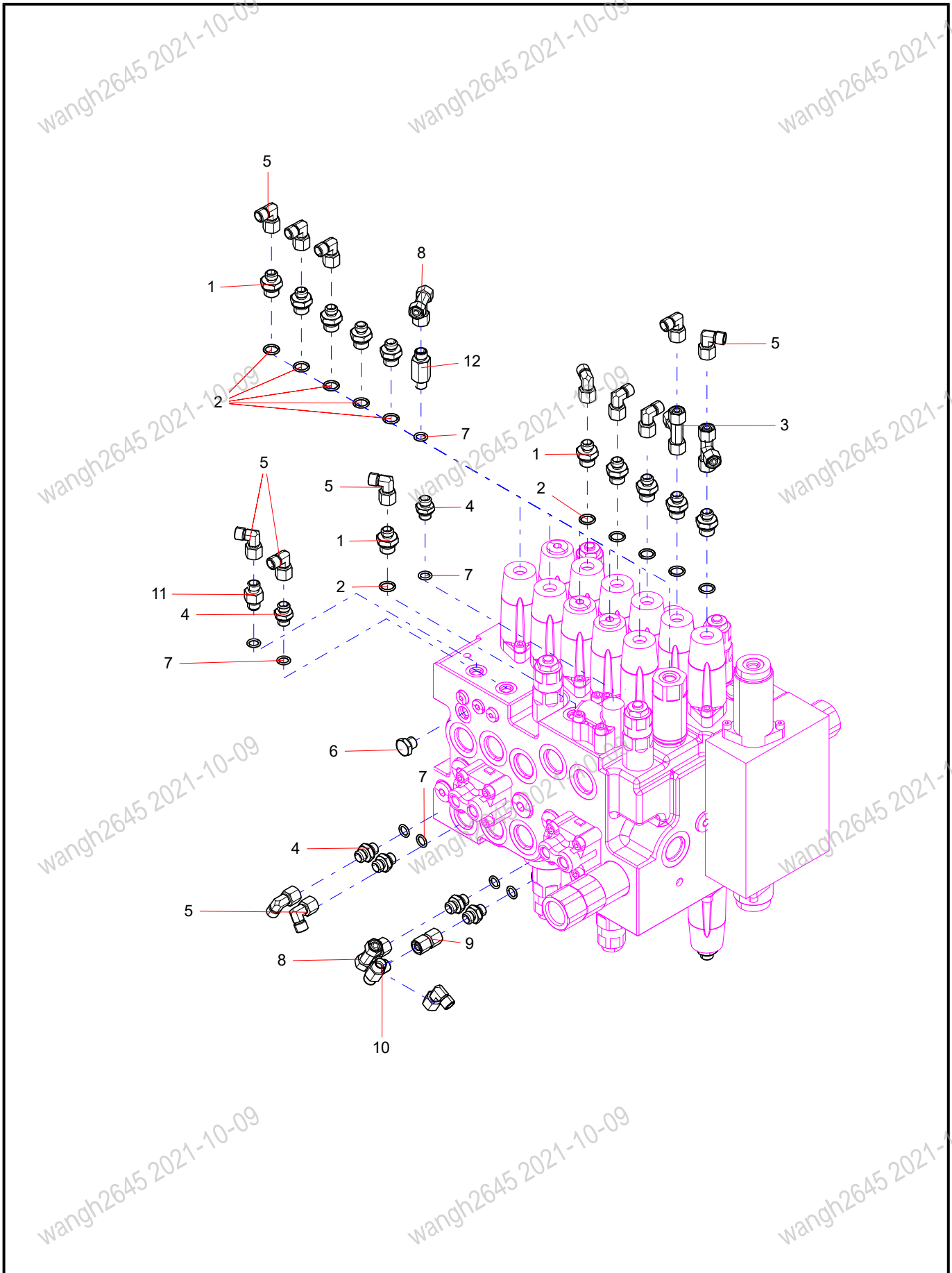
INDEX	PART NO.	DESCRIPTION	QTY	SEE PAGE
16	B230103002264	Rubber Hose	1	
17	B230103000907	Hose Assembly	2	
18	A831211120000	Hose Assembly	1	
19	B230103000982	Hose	1	



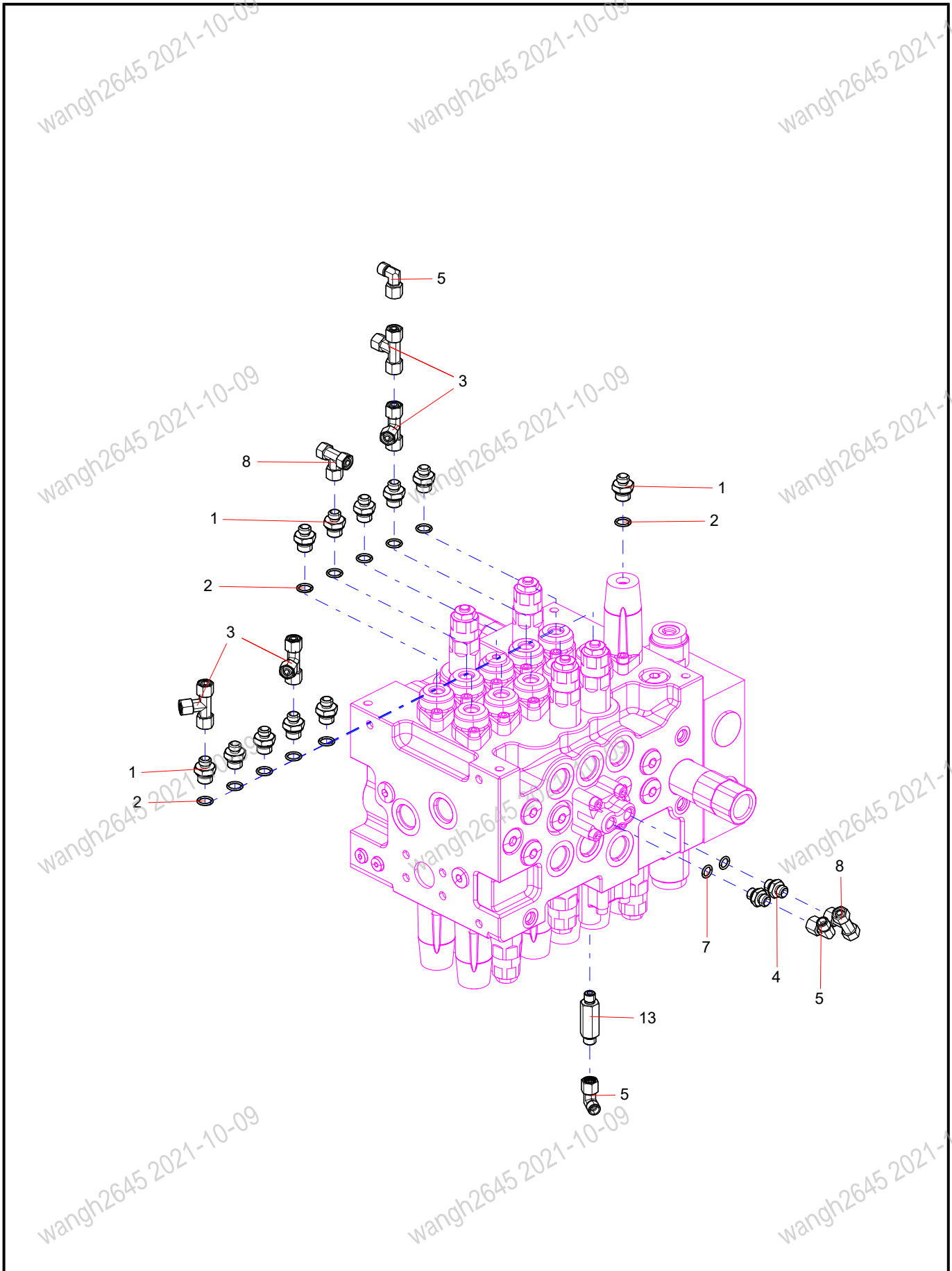
INDEX	PART NO.	DESCRIPTION	QTY	SEE PAGE
17	B230103000907	Hose Assembly	2	
20	B230103000983	Hose Assembly	1	
21	B230103005488	Hose	1	
22	B230103002722	Hose	2	



INDEX	PART NO.	DESCRIPTION	QTY	SEE PAGE
22	B230103002722	Hose	2	
23	B230103001434	Hose	1	
24	B230103002263	Hose ASSY	2	
25	B230103001633	Hose AS	1	

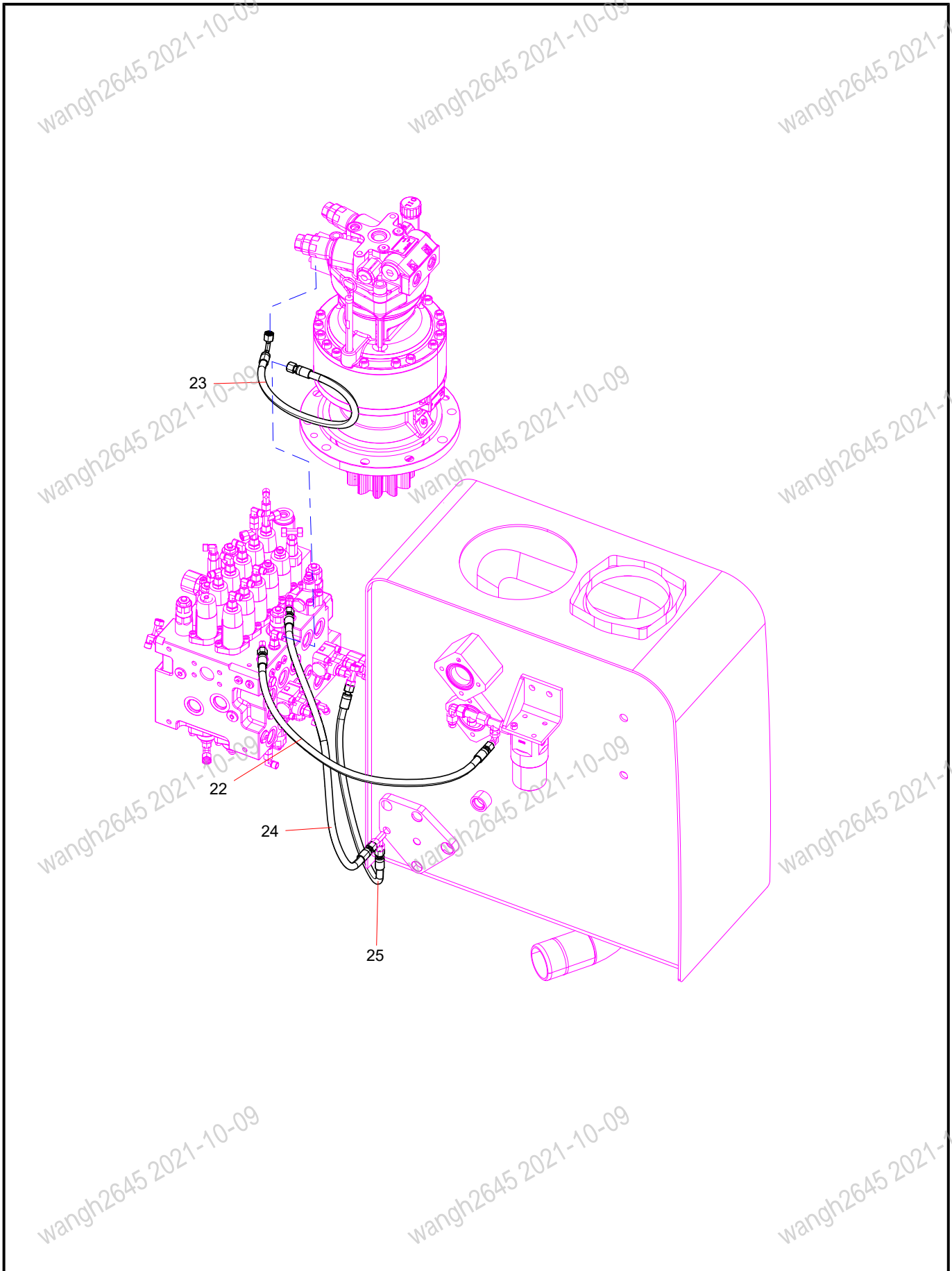


INDEX	PART NO.	DESCRIPTION	QTY	SEE PAGE
1	21002816	Pipe connector	22	
2	B230101000049	O-ring	22	
3	B210780000170	Three Way Combination Joint	6	
4	21002815	Fitting	8	
5	B210780000418	Fitting, Elbow	17	
6	A820205001771	Plug	1	
7	B230101000047	O-ring	10	
8	B210780000172	Fitting	4	
9	B210780001045	Fitting	1	
10	B220400000169	Valve, Shuttle, Tee	1	
11	12638122	Filter joint	1	
12	12977186	G1/4-M14 Connector	1	

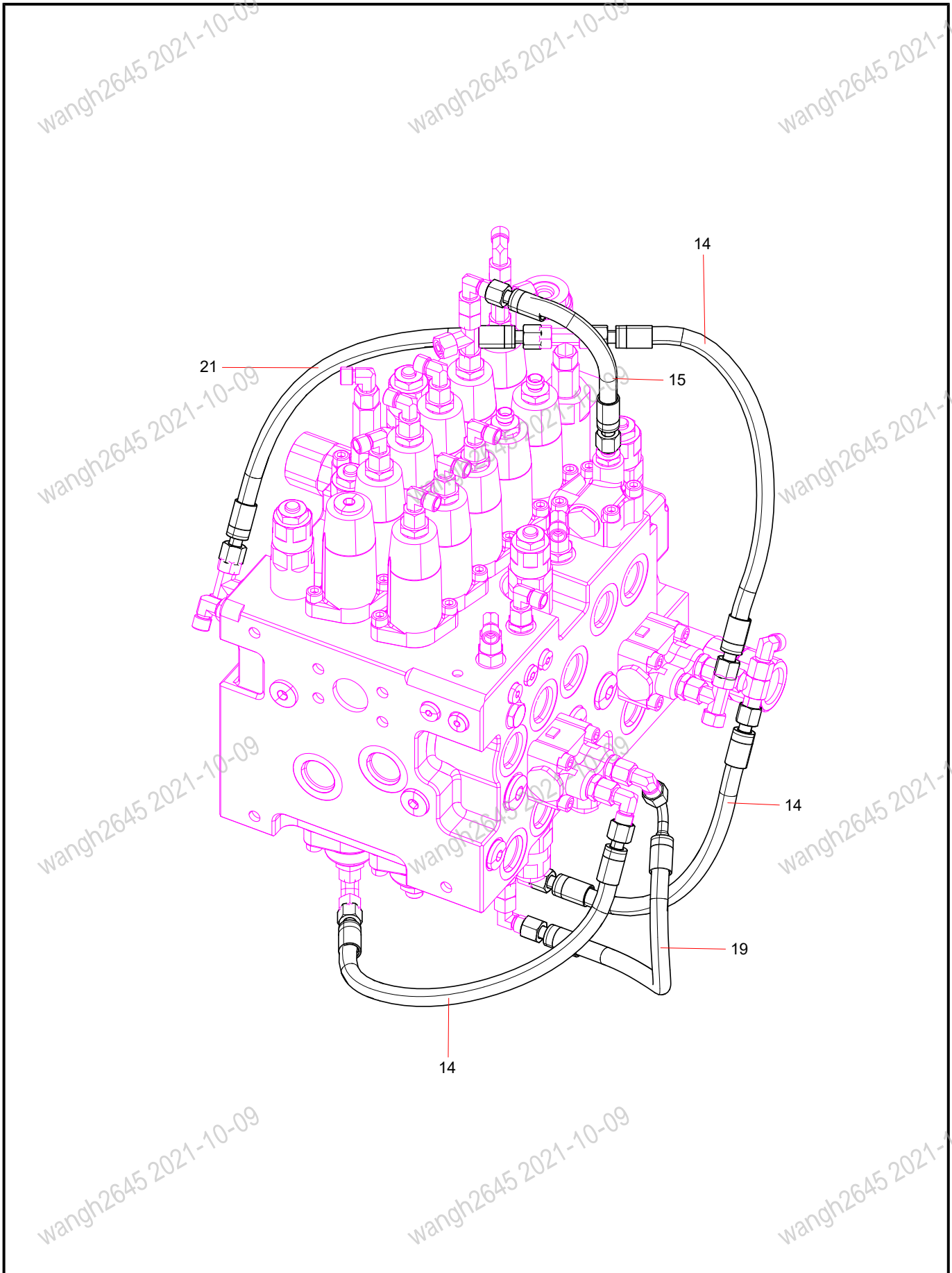




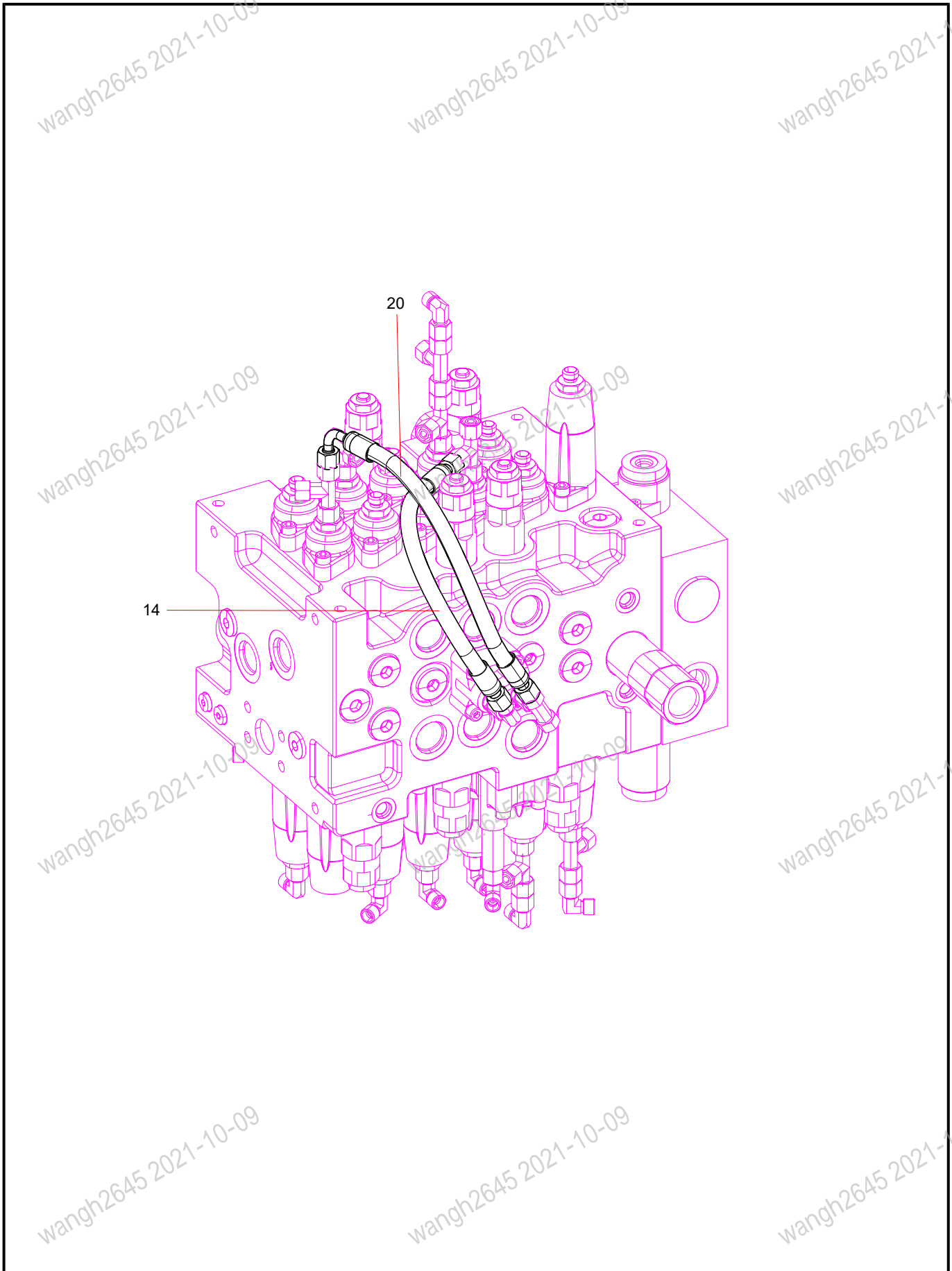
INDEX	PART NO.	DESCRIPTION	QTY	SEE PAGE
1	21002816	Pipe connector	22	
2	B230101000049	O-ring	22	
3	B210780000170	Three Way Combination Joint	6	
4	21002815	Fitting	8	
5	B210780000418	Fitting, Elbow	17	
7	B230101000047	O-ring	10	
8	B210780000172	Fitting	4	
13	13623064	G1/4-M14 Connector	1	



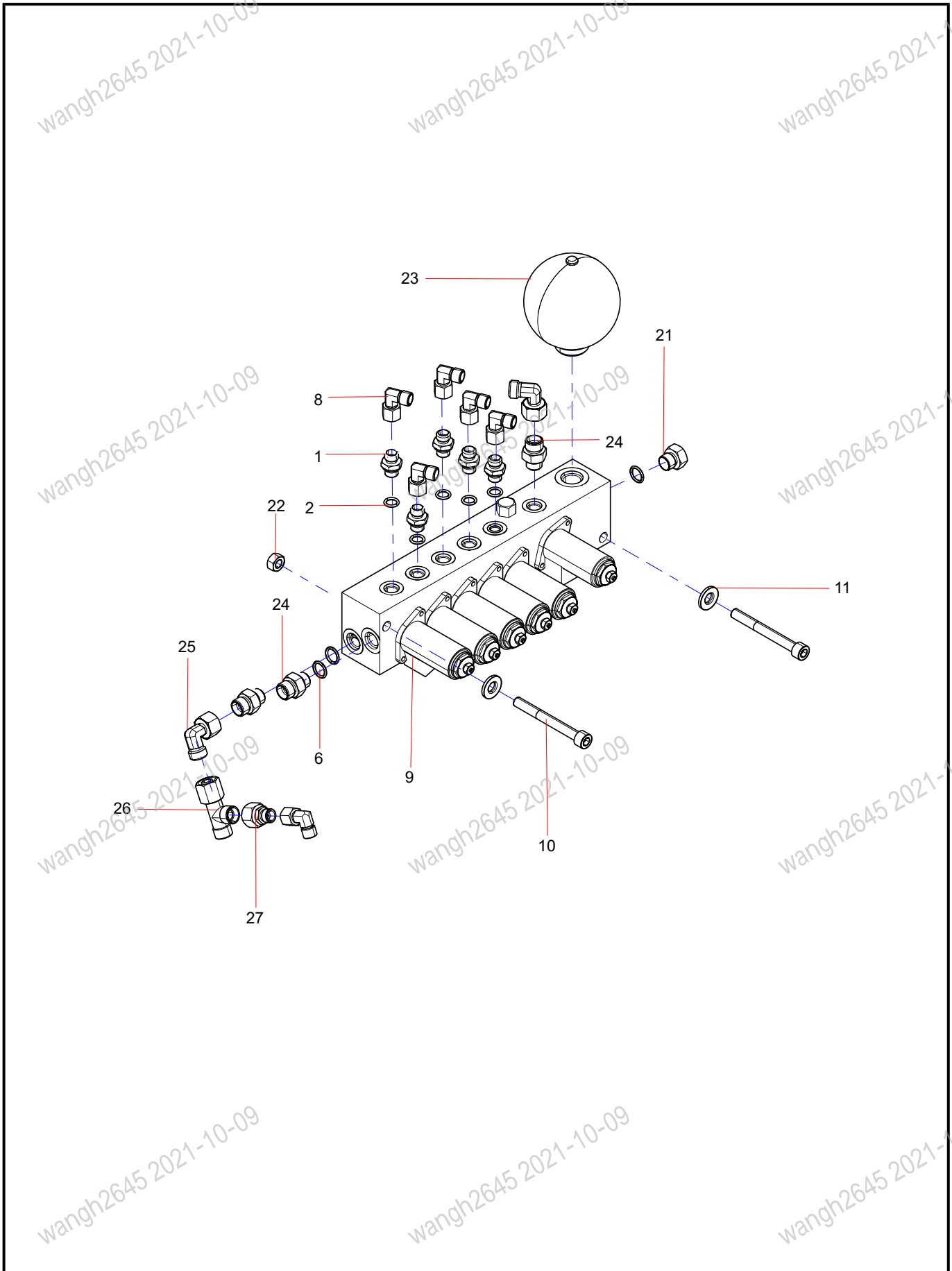
INDEX	PART NO.	DESCRIPTION	QTY	SEE PAGE
22	B230103001633	Hose AS	1	
23	B230103005488	Hose	1	
24	B230103004282	Rubber Hose	1	
25	B230103005498	Hose	1	



INDEX	PART NO.	DESCRIPTION	QTY	SEE PAGE
14	B230103000822	Hose	4	
15	B230103001376	Rubber Hose	1	
19	B230103001947	Hose	1	
21	B230103002268	Hose	1	

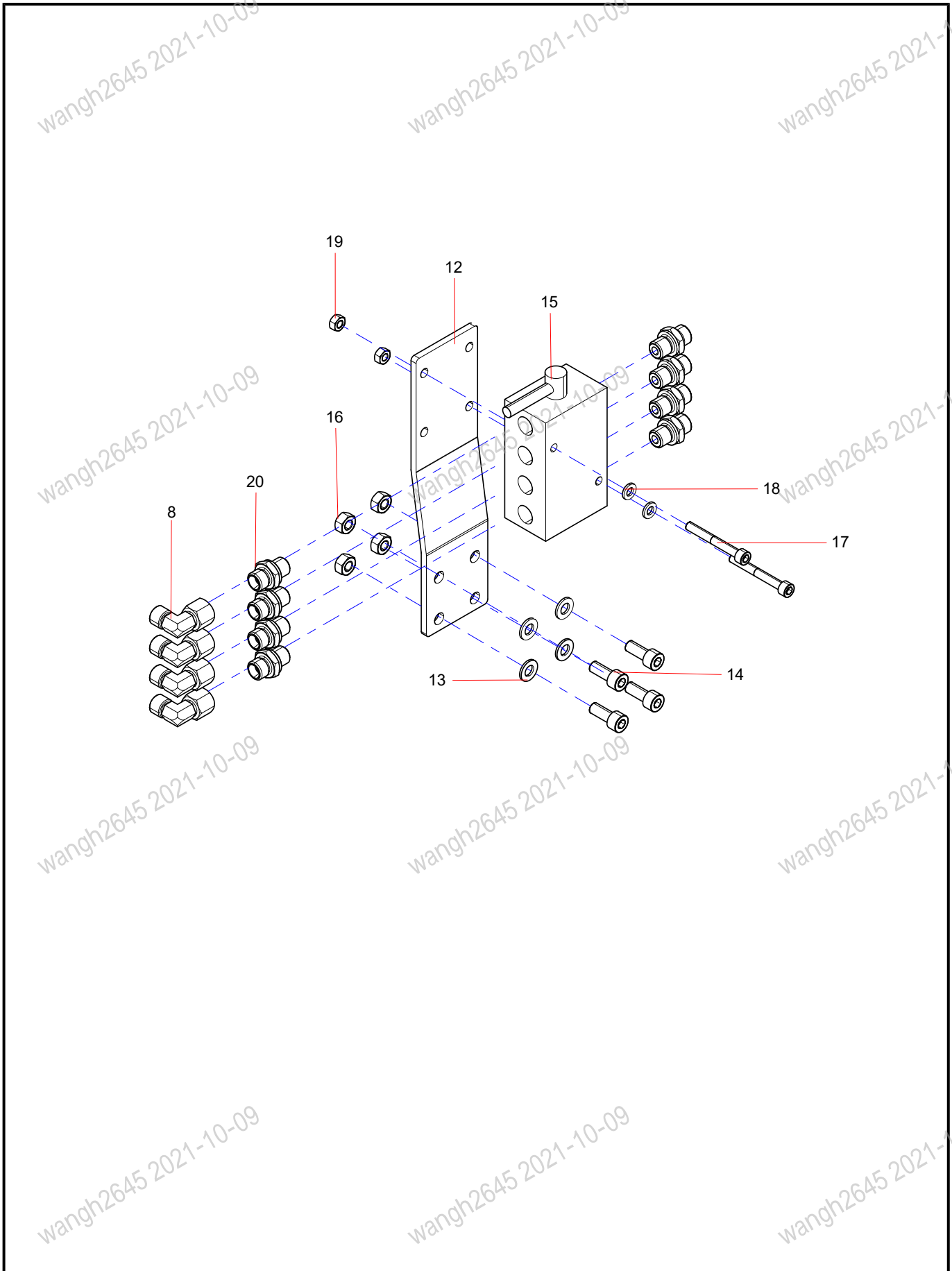


INDEX	PART NO.	DESCRIPTION	QTY	SEE PAGE
14	B230103000822	Hose	4	
20	B230103001466	Hose AS	1	

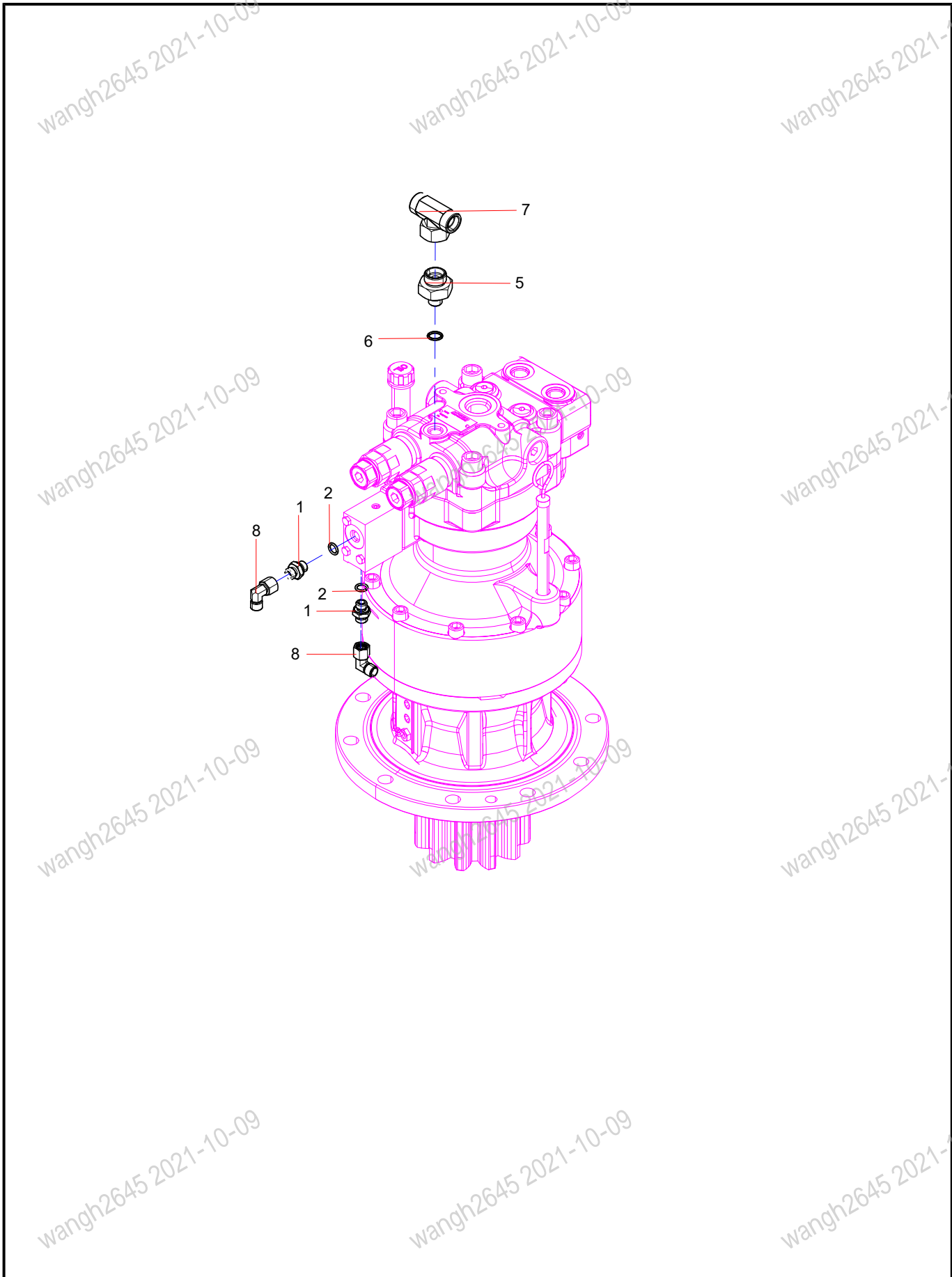




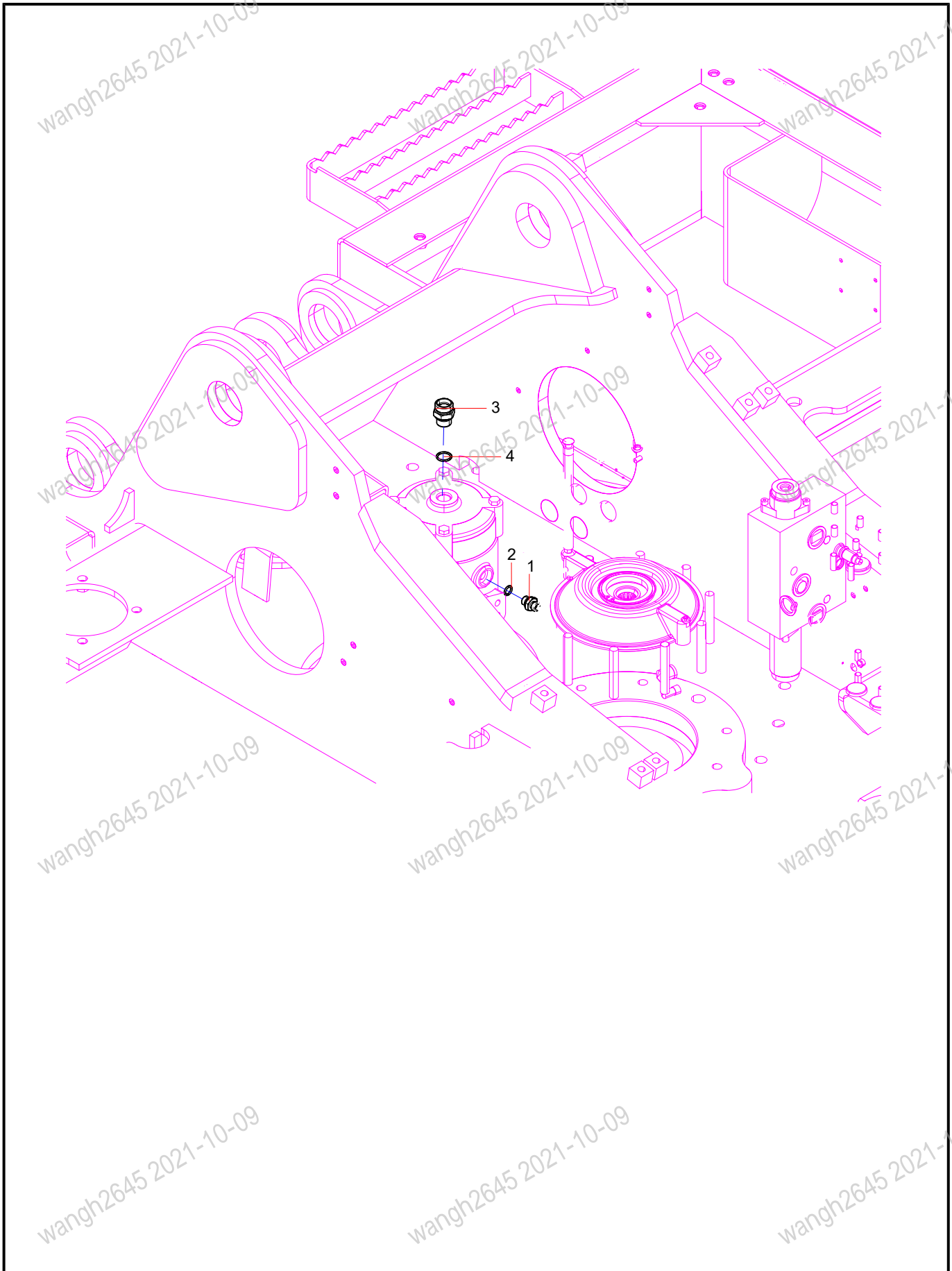
INDEX	PART NO.	DESCRIPTION	QTY	SEE PAGE
1	21002815	Fitting	9	
2	B230101000047	O-ring	10	
6	B230101000049	O-ring	5	
8	B210780000418	Fitting, Elbow	16	
9	60136331	Solenoid Valve Group	1	2-120
10	A210204000017	Screw	2	
11	A210491000120	Washer	2	
21	A820205000947	Plug	1	
22	A210307000036	Nut	2	
23	60265303	Accumulator	1	
24	A820205000961	Connector	3	
25	B210780000024	Fitting, Elbow	2	
26	B210780000016	Fitting, Tee	1	
27	B210780000827	Connector Pipe	1	



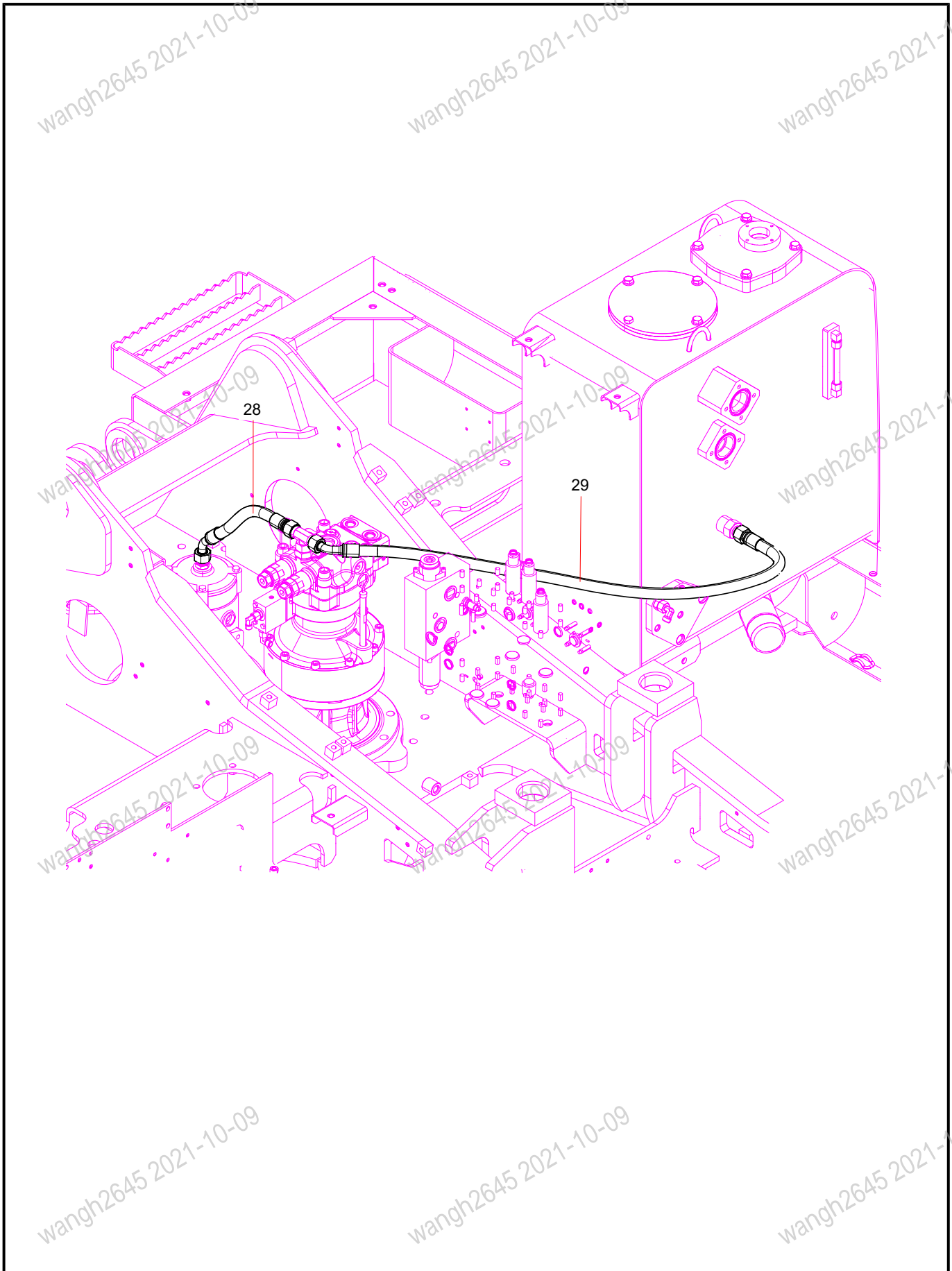
INDEX	PART NO.	DESCRIPTION	QTY	SEE PAGE
8	B210780000418	Fitting, Elbow	16	
12	13437825	Plate	1	
13	24000633	Washer	4	
14	A210204000220	Screw	4	
15	60123424	Manual Commutating Valve	1	2-122
16	A210307000055	Nut	4	
17	21027535	Screw	2	
18	24000632	Washer	2	
19	23000169	Nut	2	
20	B210780000176	Fitting	8	



INDEX	PART NO.	DESCRIPTION	QTY	SEE PAGE
1	21002815	Fitting	9	
2	B230101000047	O-ring	10	
5	A820205000948	Connector	1	
6	B230101000049	O-ring	5	
7	B210780001363	Fitting, Tee	1	
8	B210780000418	Fitting, Elbow	16	

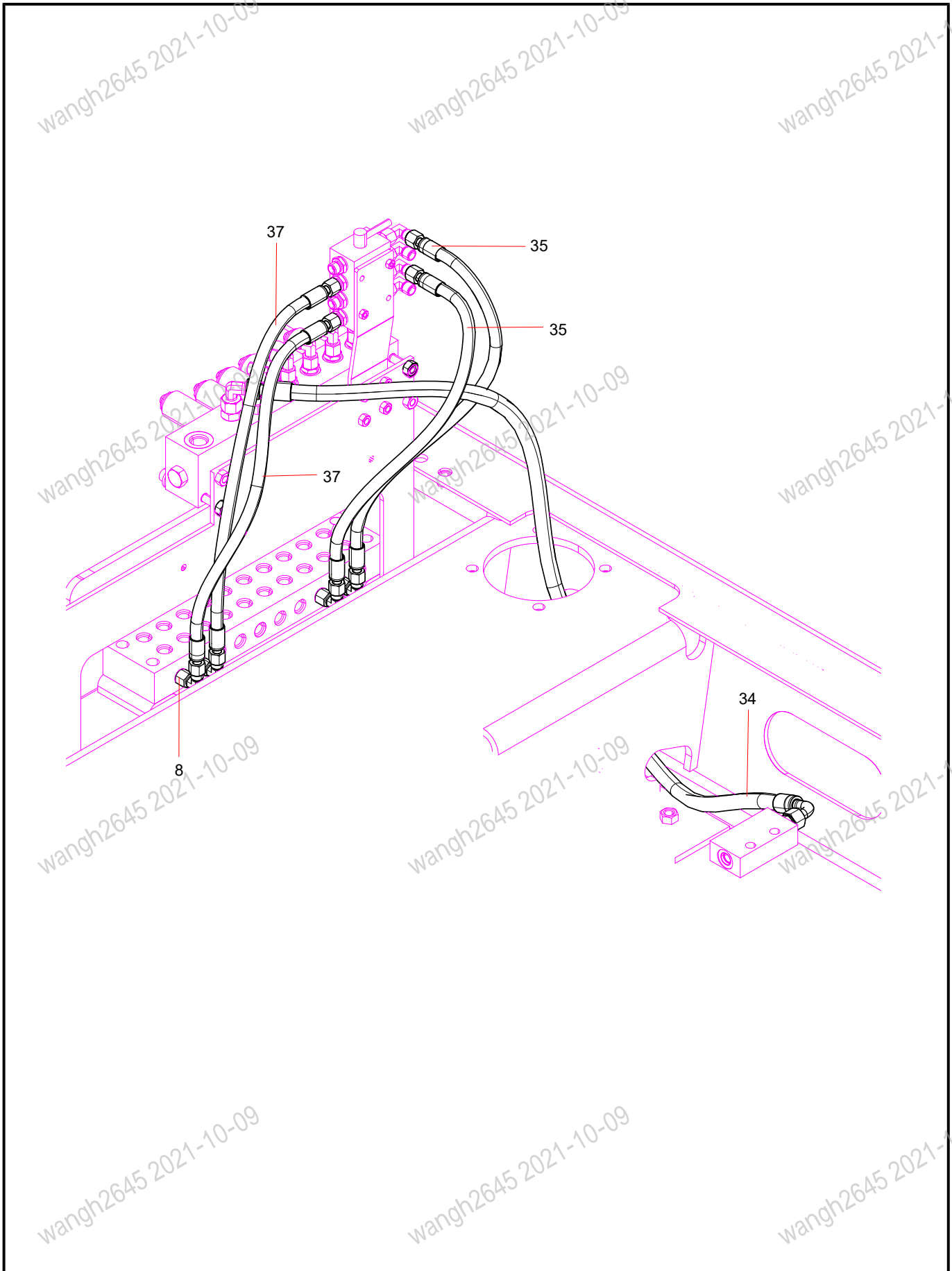


INDEX	PART NO.	DESCRIPTION	QTY	SEE PAGE
1	21002815	Fitting	9	
2	B230101000047	O-ring	10	
3	21002824	Pipe connector	1	
4	B230101000090	O-ring	1	

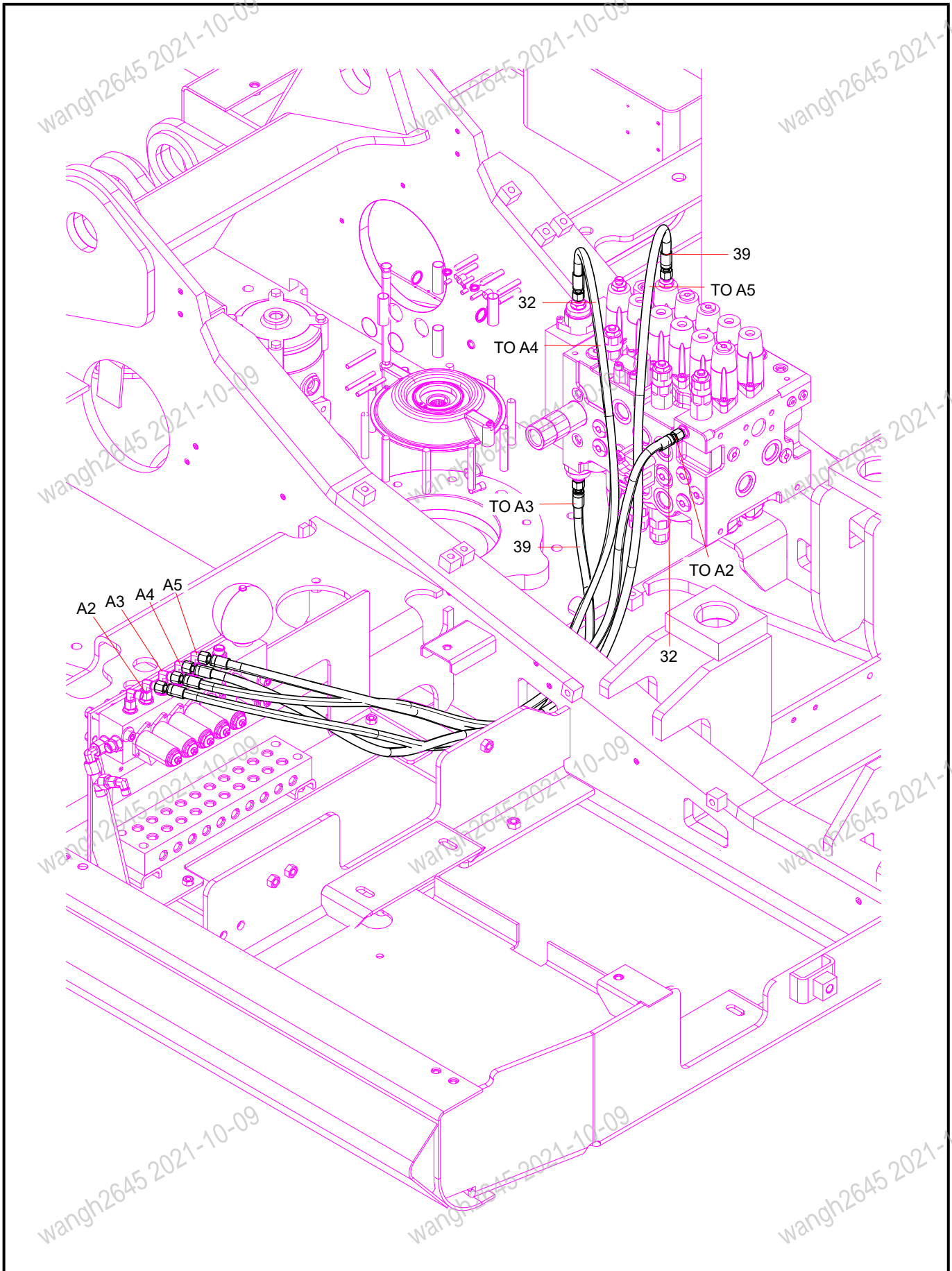




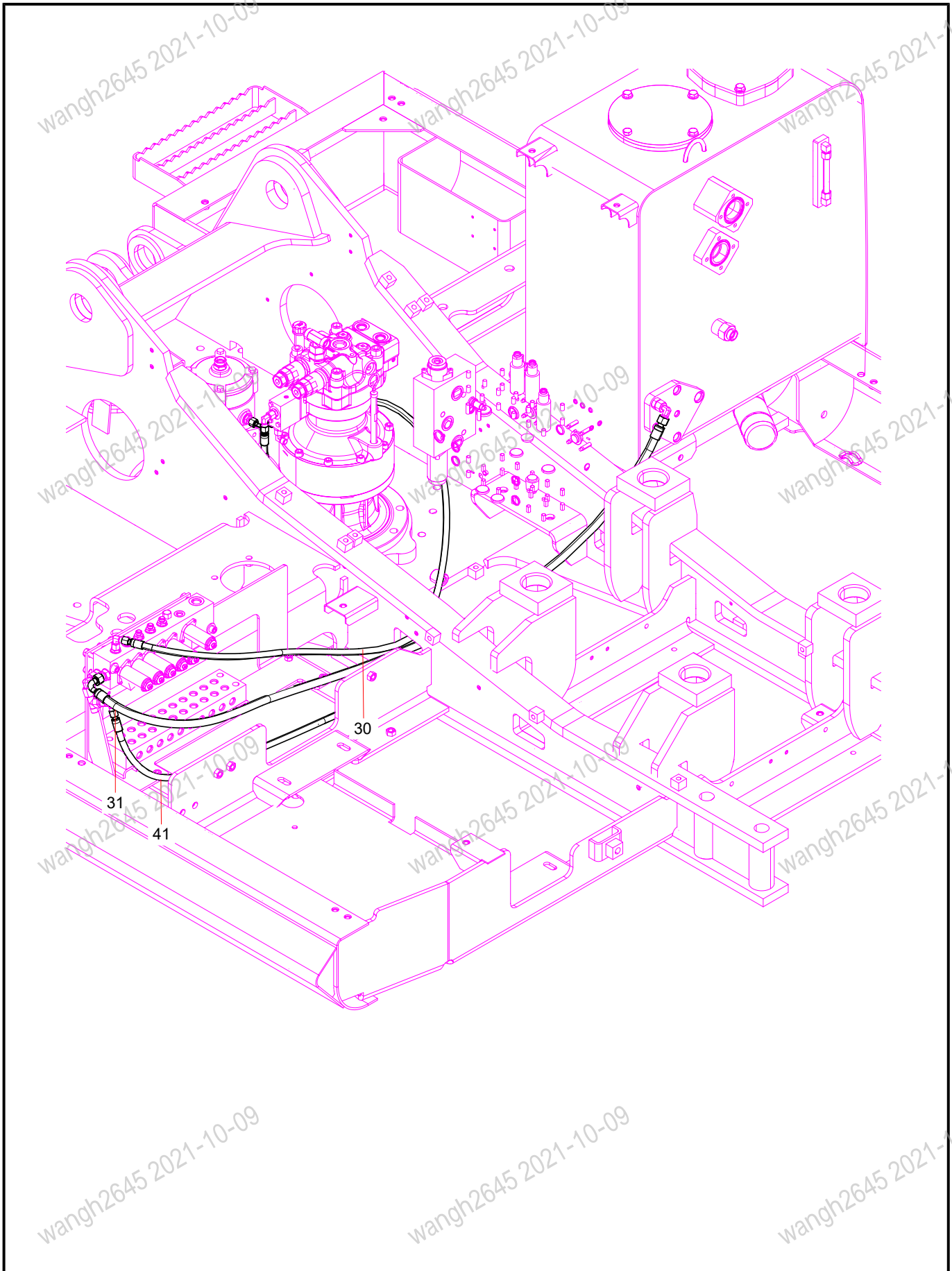
INDEX	PART NO.	DESCRIPTION	QTY	SEE PAGE
28	B230103004072	Rubber Hose	1	
29	60236761	rubber hose	1	



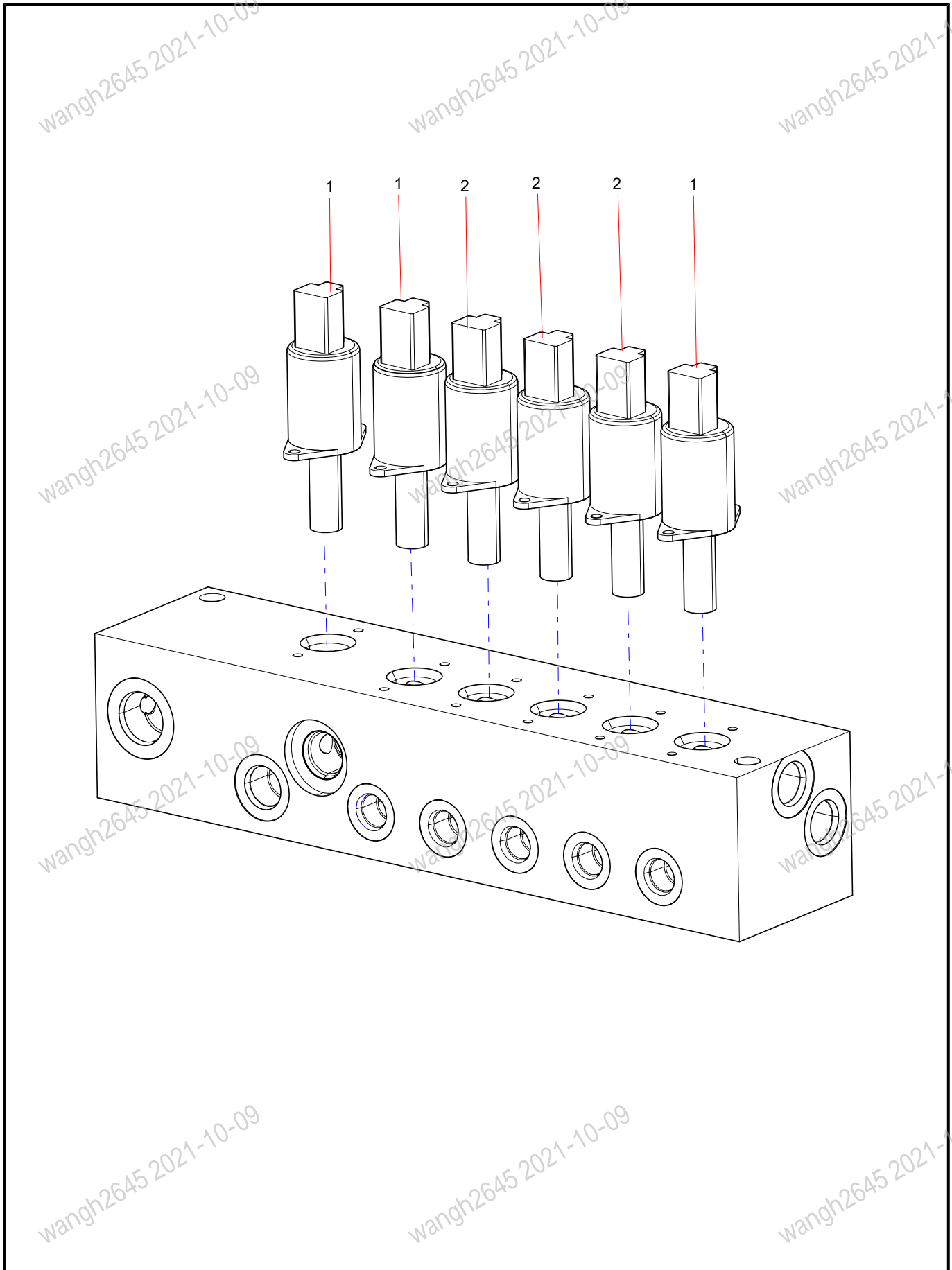
INDEX	PART NO.	DESCRIPTION	QTY	SEE PAGE
8	B210780000418	Fitting, Elbow	16	
34	B230103002878	Rubber hose	1	
35	B230103004528	Hose	2	
37	B230103000811	Hose	2	



INDEX	PART NO.	DESCRIPTION	QTY	SEE PAGE
32	B230103002722	Hose	2	
39	B230103000985	Hose Assembly	2	

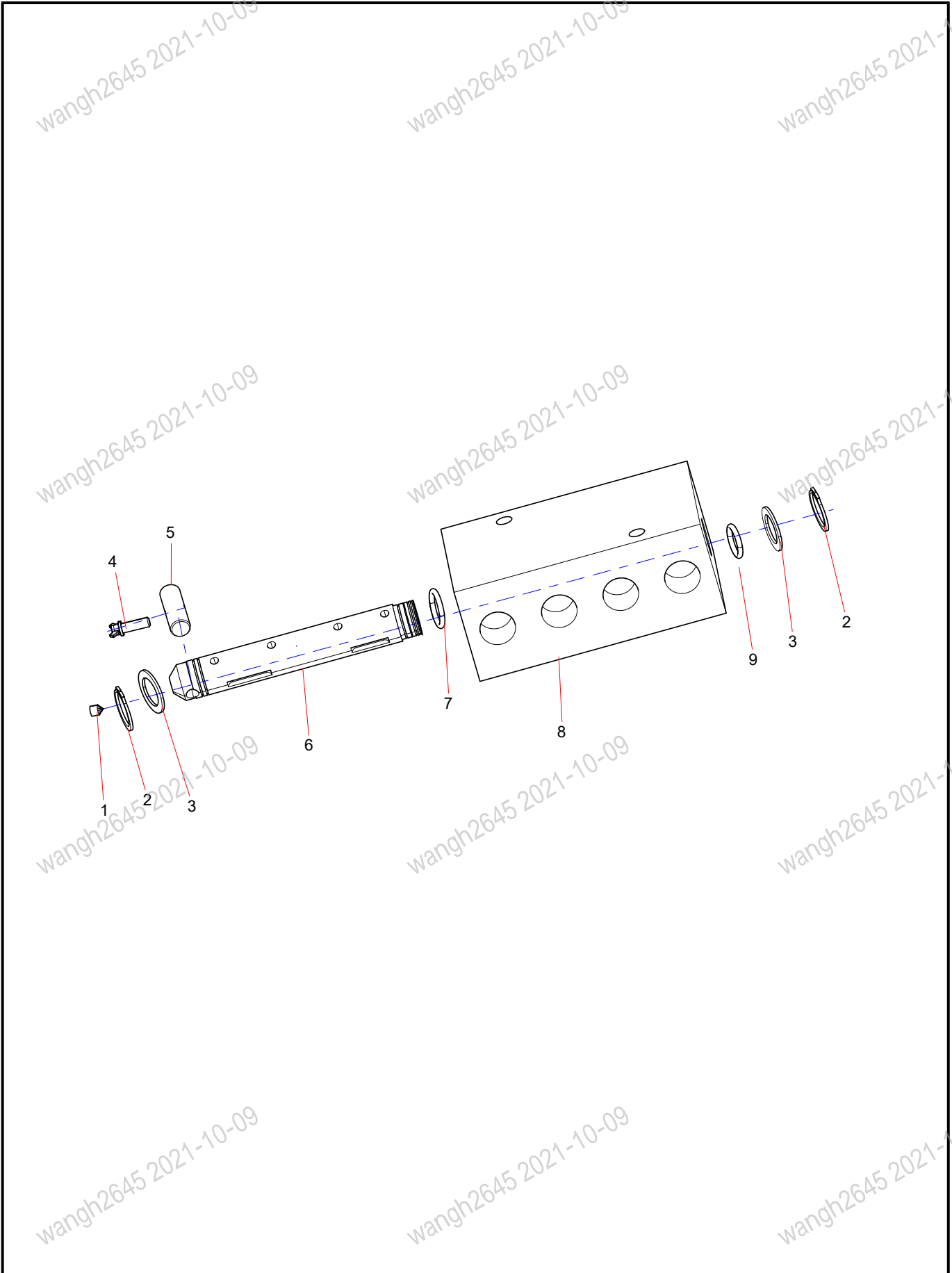


INDEX	PART NO.	DESCRIPTION	QTY	SEE PAGE
30	21026928	Rubber Hose	1	
31	23000905	Hose	1	
41	B230103005403	Hose	1	

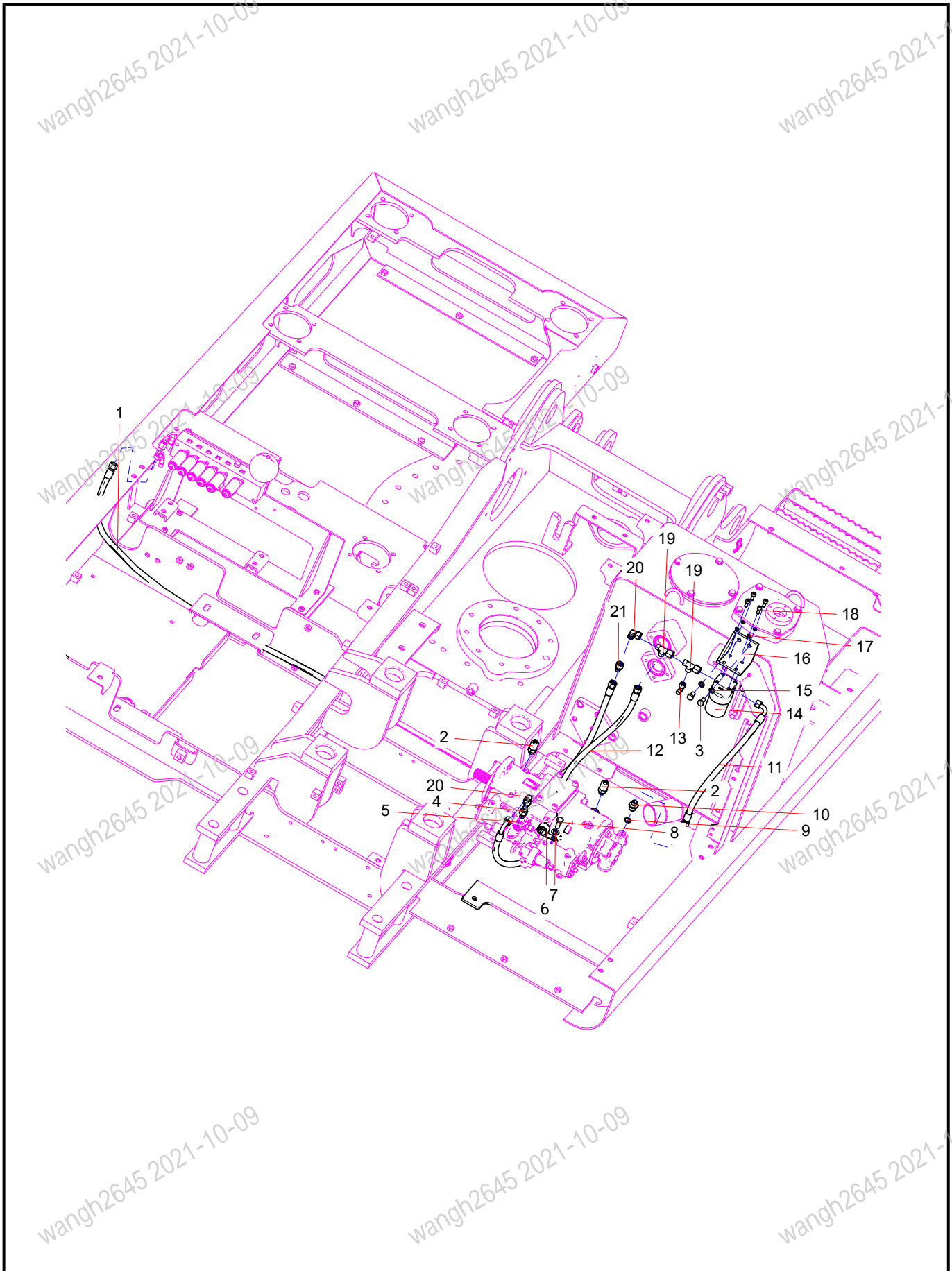




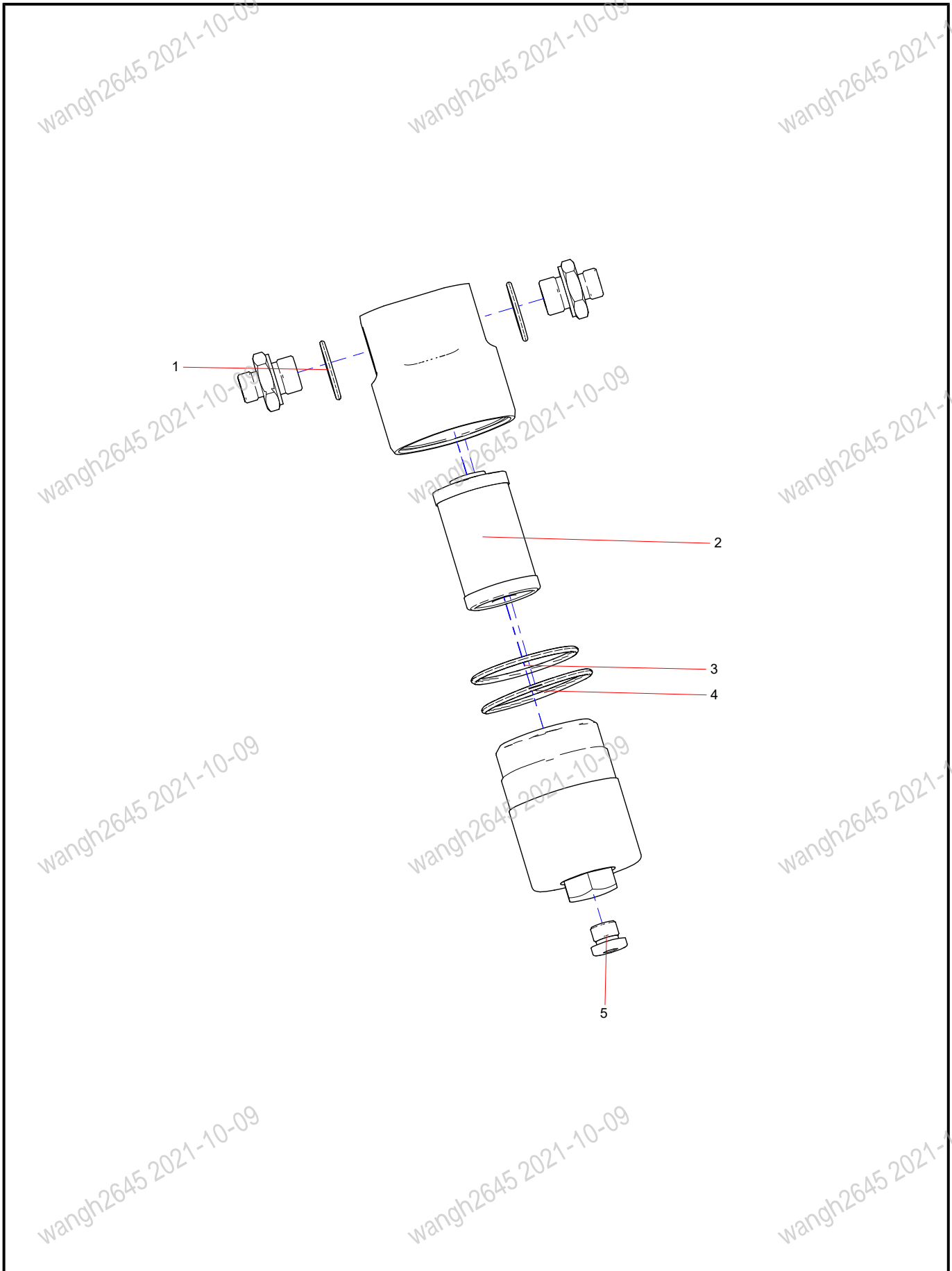
INDEX	PART NO.	DESCRIPTION	QTY	SEE PAGE
1	60065224	Solenoid Switching Valve	3	
2	60065222	Electric Proportional Pressure Reducing Valve	3	



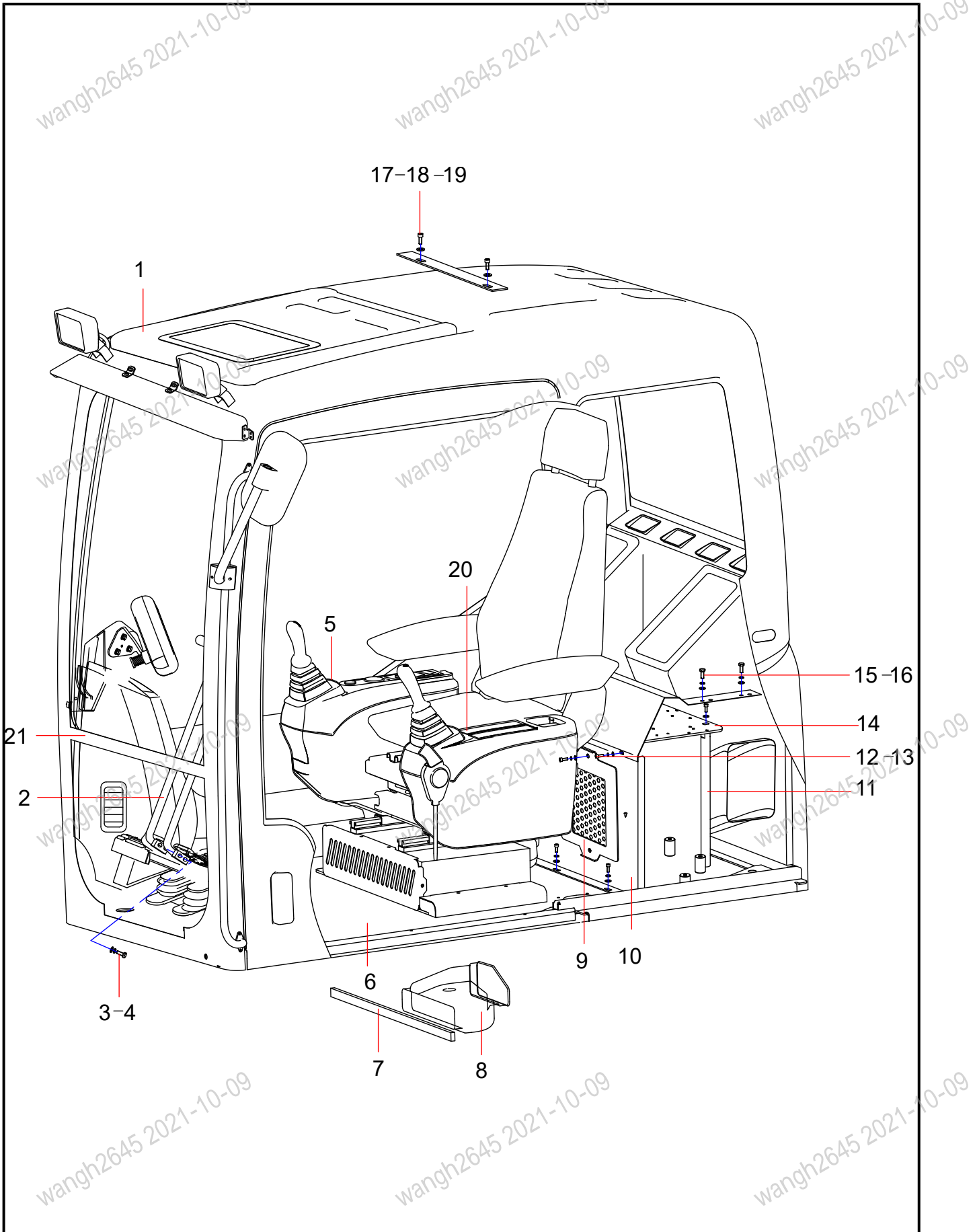
INDEX	PART NO.	DESCRIPTION	QTY	SEE PAGE
1	A210208000013	Screw	1	
2	60171554	Retaining Ring	2	
3	A210407000005	Washer	2	
4	A210241000001	Screw	1	
5	60171548	Control Lever	1	
6	60171584	Spool	1	
7	B230101000676	O-ring	1	
8	60171573	Body of Valve	1	
9	B230101000641	O-ring	1	



INDEX	PART NO.	DESCRIPTION	QTY	SEE PAGE
1	60266853	rubber hose	1	
2	60114799	Pressure Sensor	2	
3	A210111000199	Bolt	2	
4	11679982	G1/4-M18 Adaptor	1	
5	B230101000047	O-ring	2	
6	60086356	Harness Fixed Frame	1	
7	A210491000121	Washer	1	
8	A210111000202	Bolt	1	
9	B230101000090	O-ring	1	
10	A820205000941	Connector, Straight	1	
11	B230103002543	Hose	1	
12	B230103000602	Rubber Hose	1	
13	B210780000418	Fitting, Elbow	1	
14	60211330	Filter	1	2-126
15	24000513	Washer	2	
16	A810102023065	Bracket, pilot filter	1	
17	24000511	Washer	4	
18	A210204000220	Screw	4	
19	B210780000016	Fitting, Tee	2	
20	B210780000024	Fitting, Elbow	2	
21	B210780000827	Connector Pipe	1	

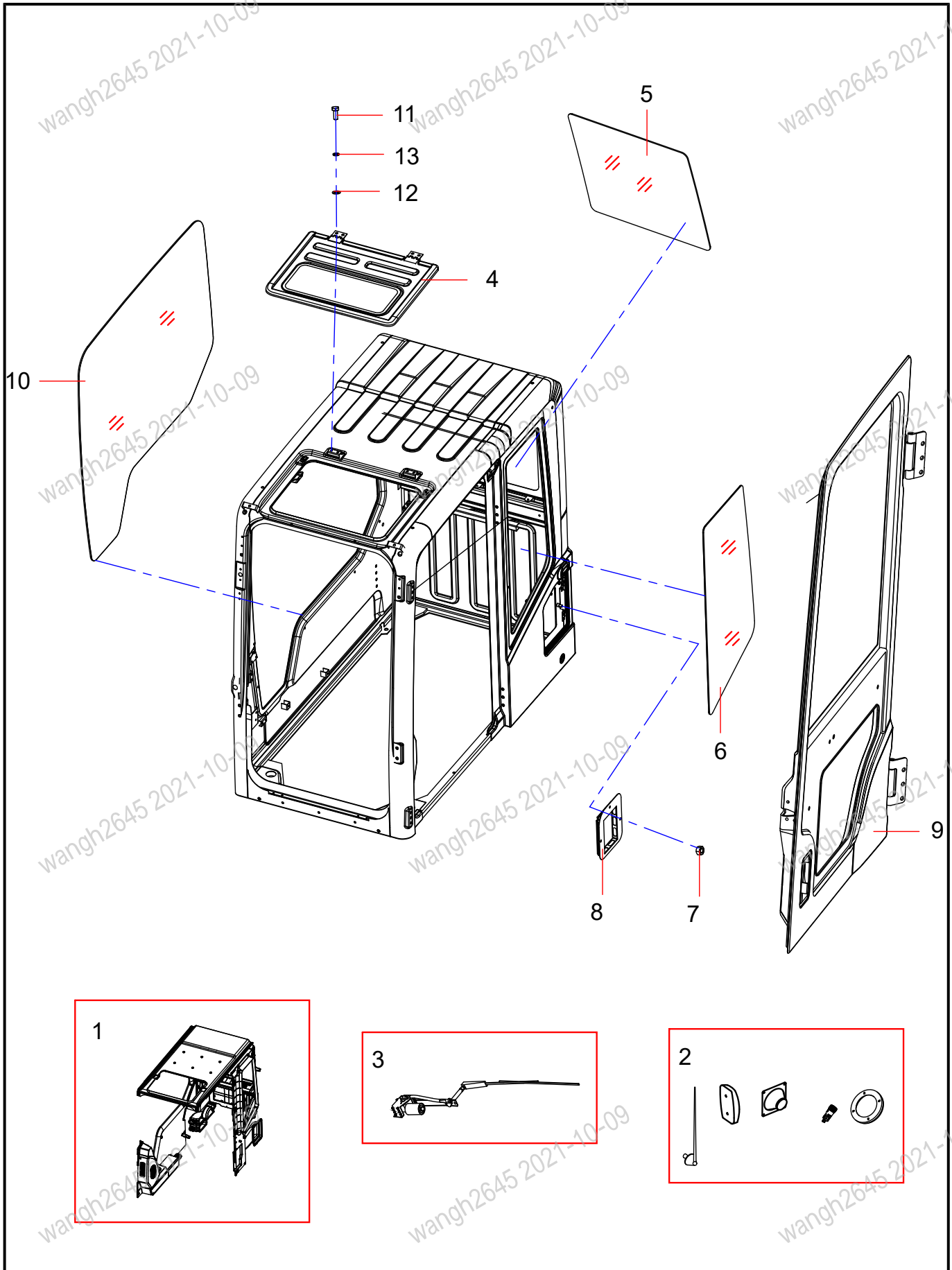


INDEX	PART NO.	DESCRIPTION	QTY	SEE PAGE
1	29010015	O-ring	2	
2	A222100000119	Pilot Hydraulic Oil Filter	1	
3	A210609000132	O-ring	1	
4	A210609000133	O-ring	1	
5	B210399000001	Screw Plug	1	

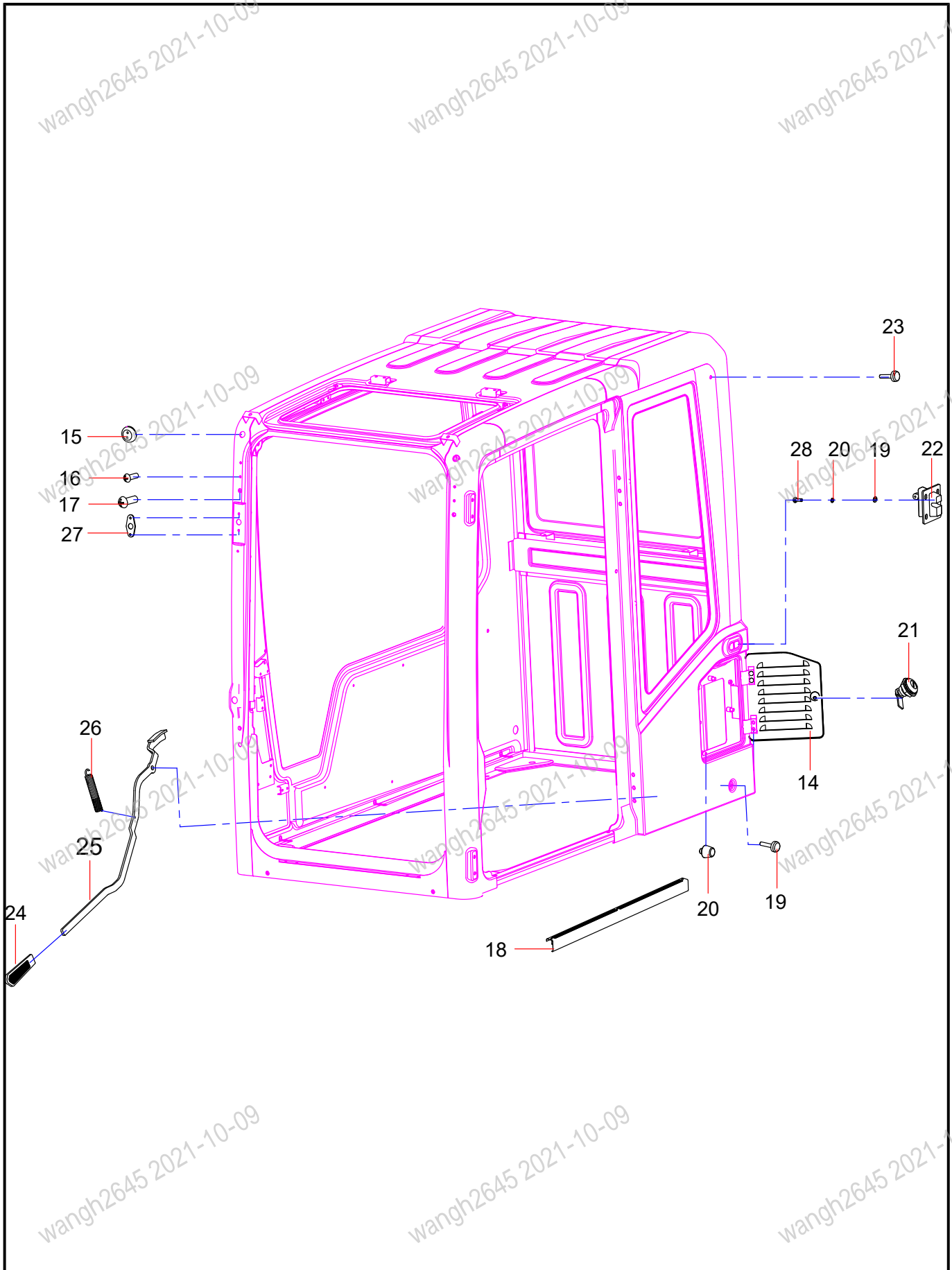




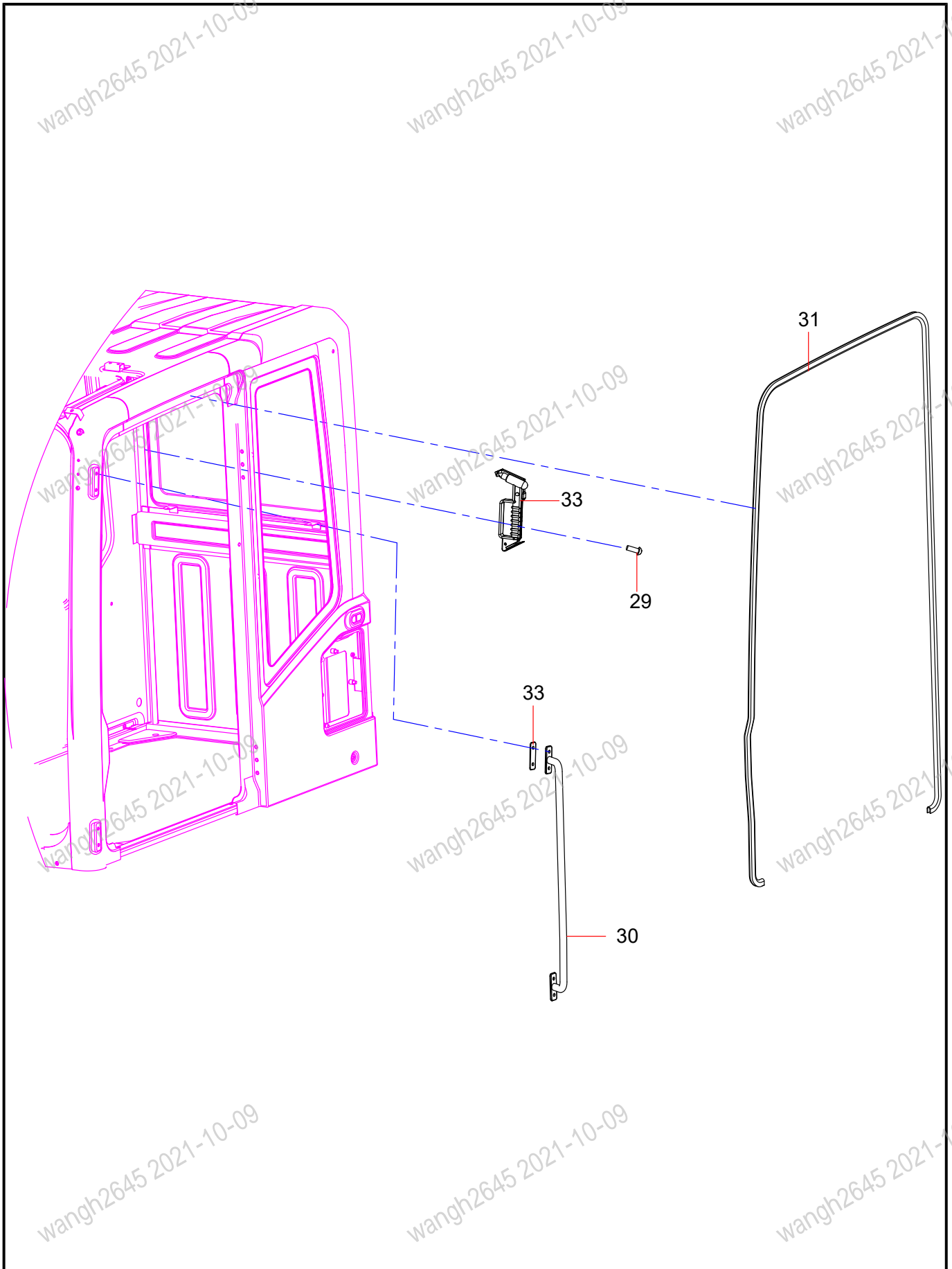
INDEX	PART NO.	DESCRIPTION	QTY	SEE PAGE
1	60348058	Cab	1	2-130
2	12934780	Running Control Mechanism	1	2-160
3	A210111000195	Bolt	6	
4	24000512	Washer	8	
5	11640080	seat and control cabinet	1	2-162
6	12935011	Bottom board rack of cab	1	2-166
7	10567493	Foot Blowing Air Duct Sealing Sponge	1	
8	A229900010630	Foot Blowing Air Duct	1	
9	10244287	Inner Air Cover Plate	1	
10	13434084	frame	1	
11	12829018	Spacer	3	
12	A210210000027	Screw	6	
13	24000632	Washer	6	
14	14467646	Installation plate for electrical equipment	1	
15	A210204000340	Screw	20	
16	24000633	Washer	22	
17	13436101	Alarm lamp rigid board	1	
18	A210111000199	Bolt	2	
19	60060548	Washer	2	
20	24000509	Washer	2	
21	14204539	Guard mesh	1	



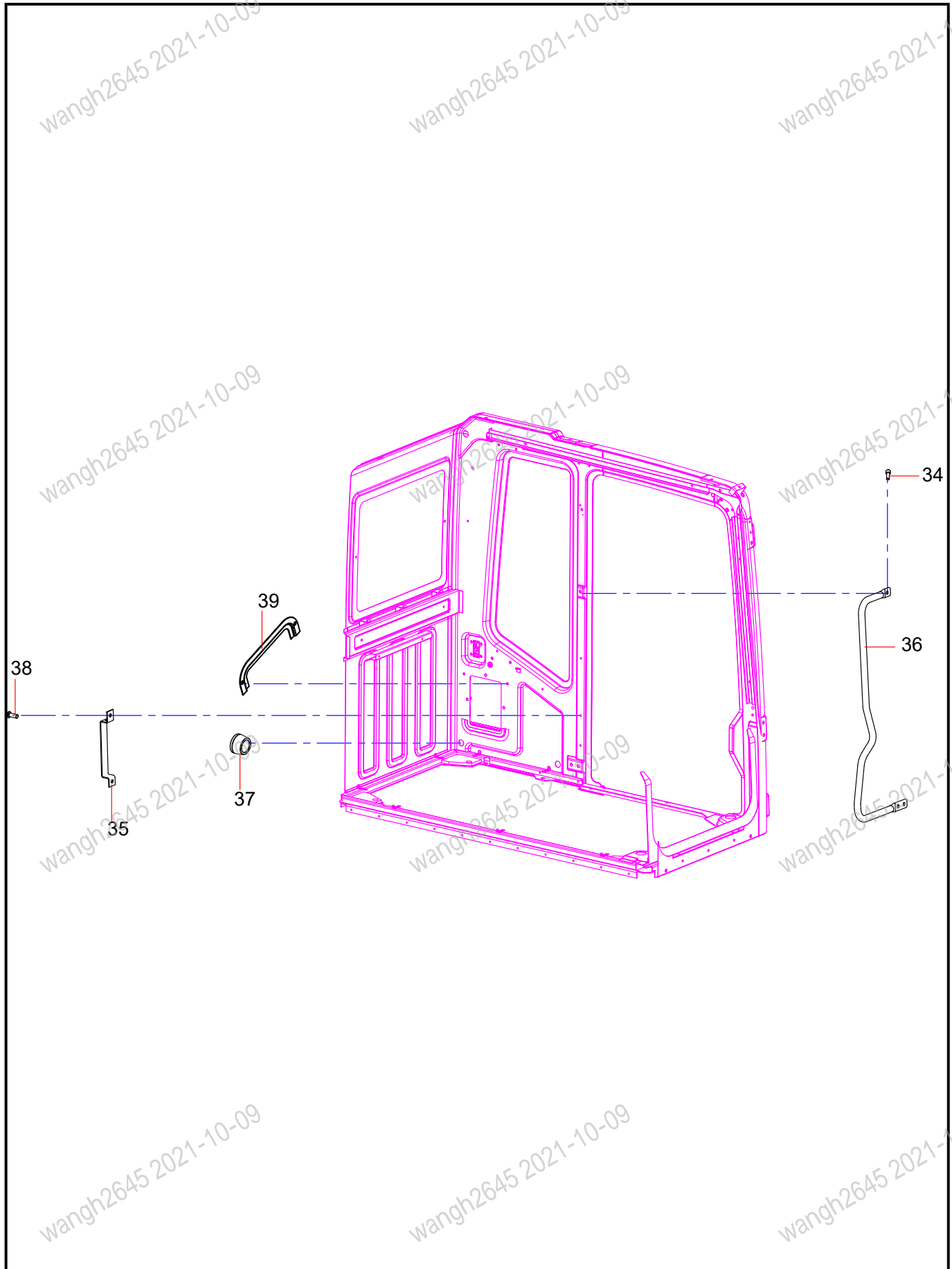
INDEX	PART NO.	DESCRIPTION	QTY	SEE PAGE
1	11646101	Internal, decoration, assembly	1	
2	13036476	Electric System, Cab	1	2-146
3	60351888	Wiper assembly system	1	2-154
4	60357405	Sunroof assembly	1	
5	11094594	Rear Wall Glass	1	
6	10138049	Left-Hand Glass	1	
7	A210307000017	Nut	7	
8	10137654	Waterproof Board Assembly Of Windshield	1	
9	60308316	cab door assem	1	2-156
10	60235894	right glass	1	
11	A210111000089	Bolt	8	
12	A210404000005	Washer	20	
13	A210401000017	Washer	19	



INDEX	PART NO.	DESCRIPTION	QTY	SEE PAGE
14	60238725	Air floor	1	
15	10473271	Harness Seal	2	
16	10473291	Plastic Screw	8	
17	10473290	Plastic Screw	1	
18	10138044	Pedal	1	
19	11910642	Block, Rubber	1	
20	10128903	Block, Rubber	3	
21	A222200000148	Window Lock	1	
22	A222200000149	Door Latch	1	
23	10128902	Door Stop Pin	1	
24	10128920	Handle Sleeve	1	
25	10137641	Handle Assembly, Rear Door Lock	1	
26	10125192	Spring	1	
27	10684108	Washer, Wiper Motor	1	
28	A210111000090	Bolt	10	

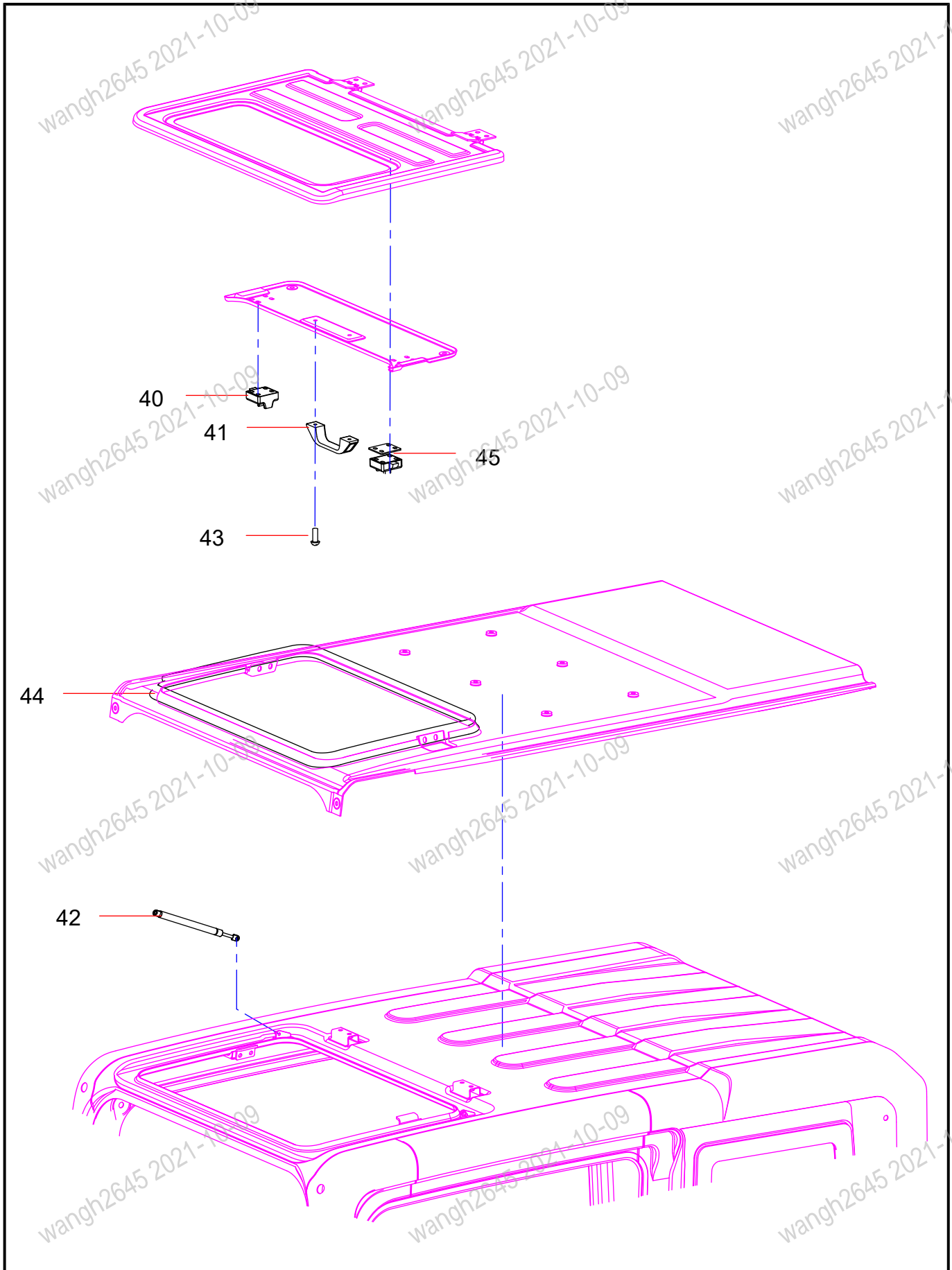


INDEX	PART NO.	DESCRIPTION	QTY	SEE PAGE
29	A210210000023	Screw	2	
30	60235886	outer handrail	1	
31	10128913	Door Rubber Strip	1	
32	11308196	Outer Armrest Gasket	2	
33	60052666	Safety Hammer	1	

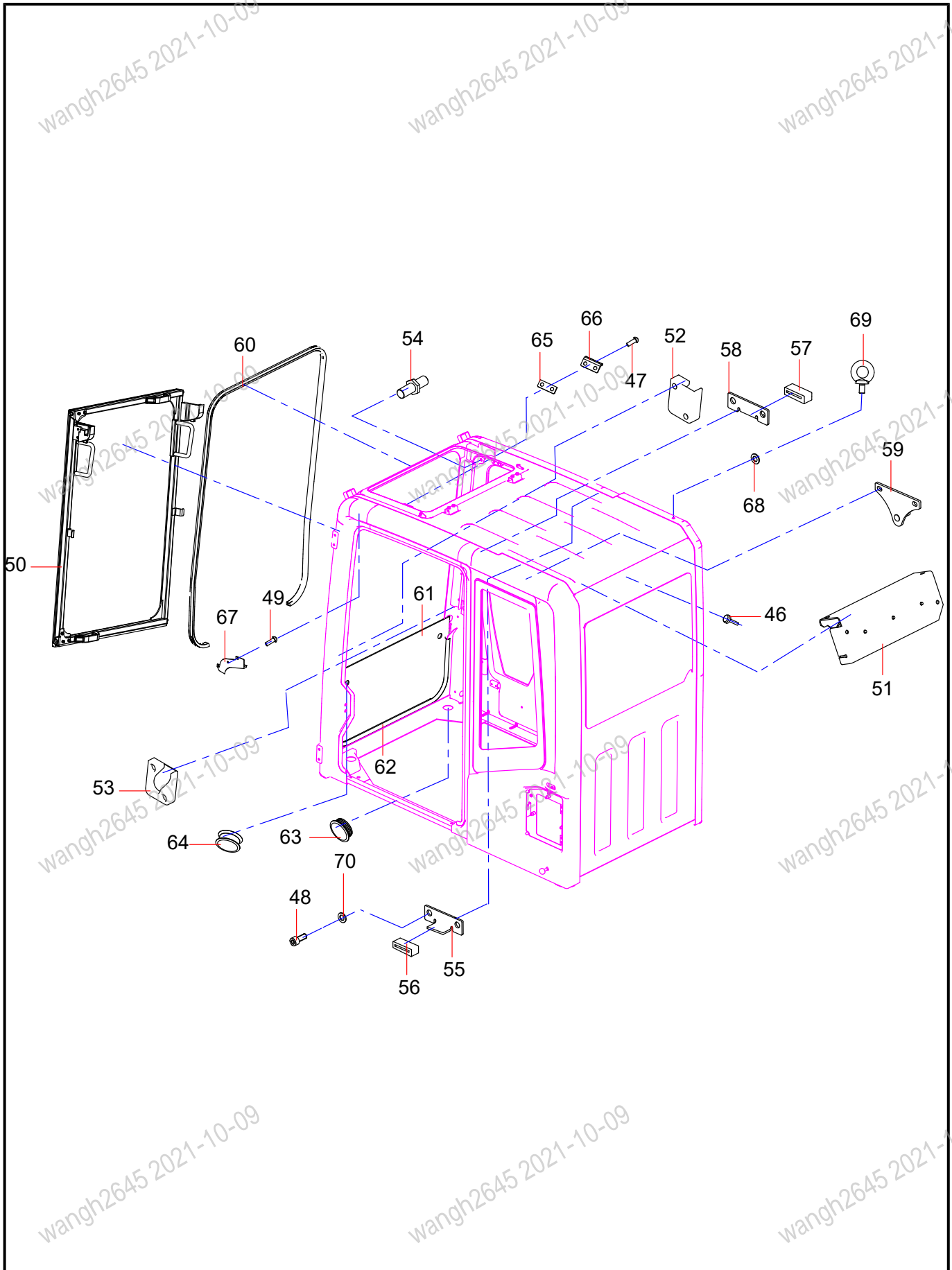




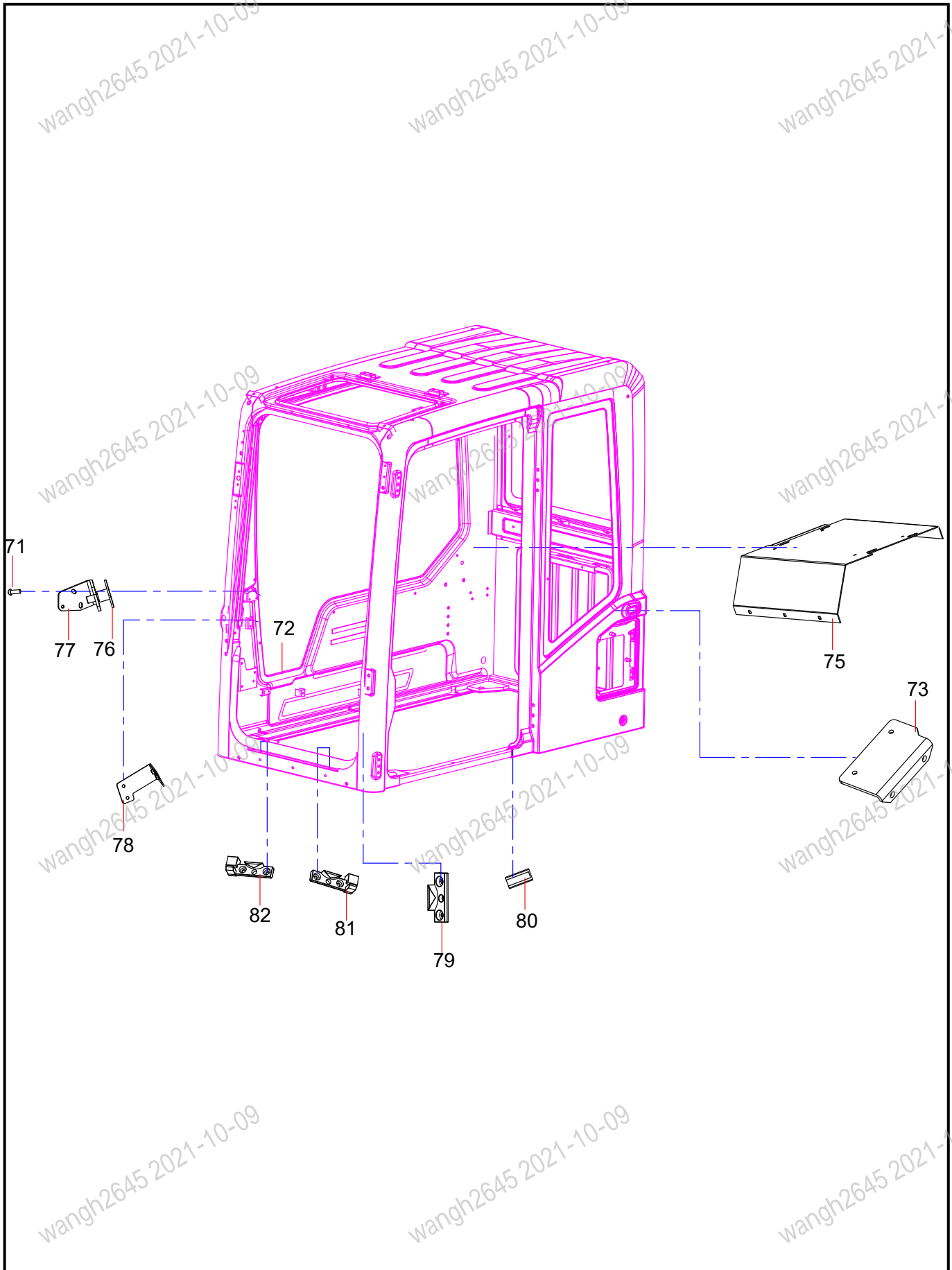
INDEX	PART NO.	DESCRIPTION	QTY	SEE PAGE
34	A210111000036	Bolt	1	
35	10138029	Handle Limiting Stopper	1	
36	10138032	Inner Handrail, Truck Body	1	
37	10473230	cluster Protection Ring	1	
38	A210210000010	Screw	2	
39	10125134	Upper fixed plate of air duct	1	



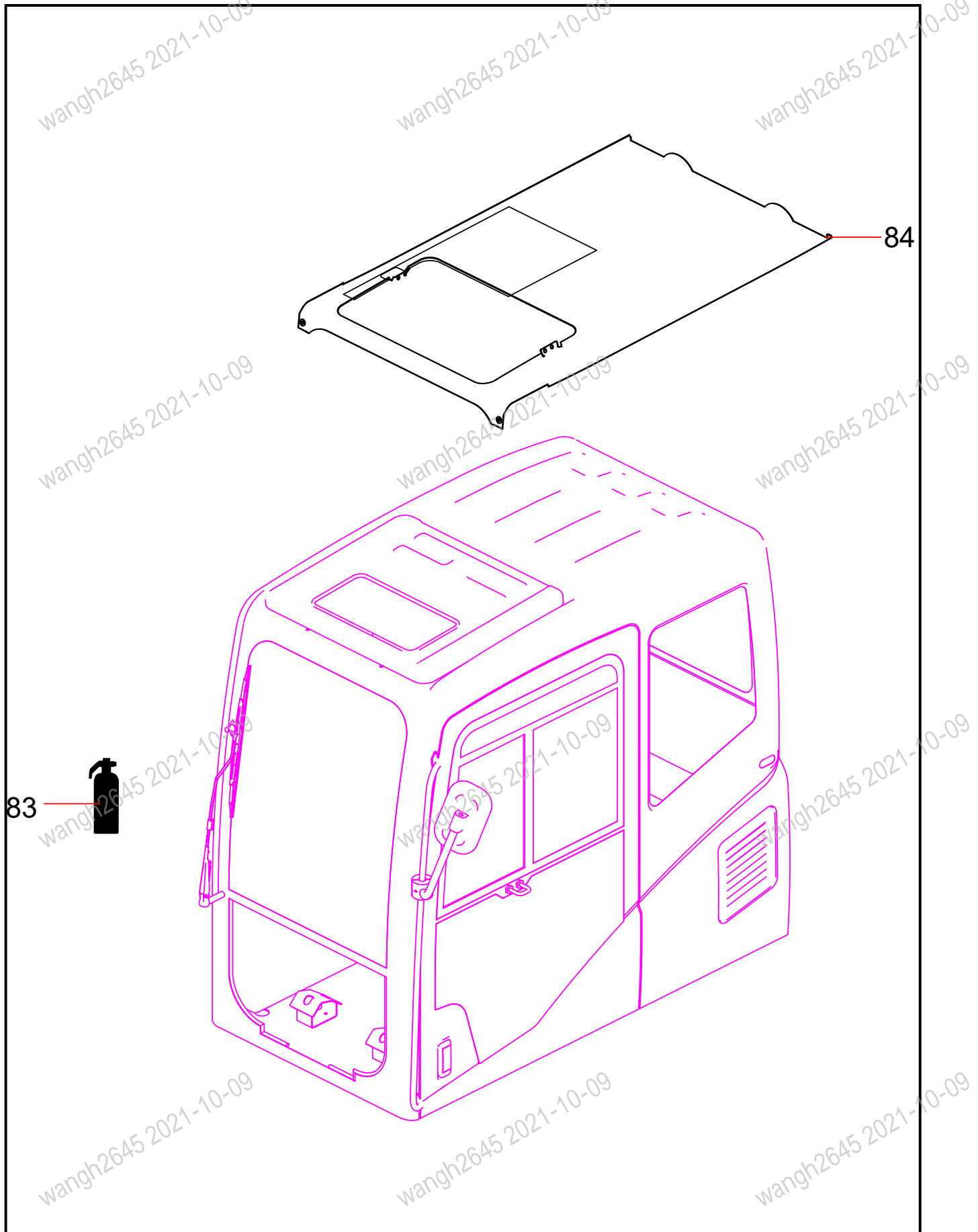
INDEX	PART NO.	DESCRIPTION	QTY	SEE PAGE
40	A222200000153	Window Lock	2	
41	60001290	Plastic Handle	1	
42	10128857	Supporting Rod , Skylight	2	
43	A210211000007	Screw	6	
44	11141306	Sealing strip, skylight	1	
45	11308294	Spacer, skylight lock	2	



INDEX	PART NO.	DESCRIPTION	QTY	SEE PAGE
46	12768399	Anti-Follision Block, Front Window	2	
47	A210211000010	Screw	4	
48	A210111000080	Bolt	4	
49	A210210000027	Screw	2	
50	60351886	Front window assembly	1	2-158
51	A229900008232	Spring Balancer	1	
52	A229900008235	Left Limit Block of Guide Rail Emc0711.0	1	
53	A229900008233	Right Limit Block of Guide Rail Emc0711.	1	
54	10138035	Front Window Front Locker	2	
55	11462329	Right Buffer Block	1	
56	11593196	Front Window Right Fixed Block	1	
57	11462351	Left Buffer Block	1	
58	11462138	Front Window Left Fixed Block	1	
59	A222200000150	Front Window Rear Locker Ningbo	2	
60	11141364	Front window sealing strip	1	
61	60235890	front lower glass	1	
62	11139289	Strip, Sealing, Front Window Down Glass	1	
63	10144609	Rubber Cap	2	
64	A229900008238	Assembly Of Front Lower Glass Handle Ф3	2	
65	11324927	Plate, nut	2	
66	10138038	Sunroof Lock	2	
67	60090897	Swerve Corner	1	
68	11308197	Slinger Spacer	6	
69	A313251202803	Screw	4	
70	A210404000009	Washer	11	

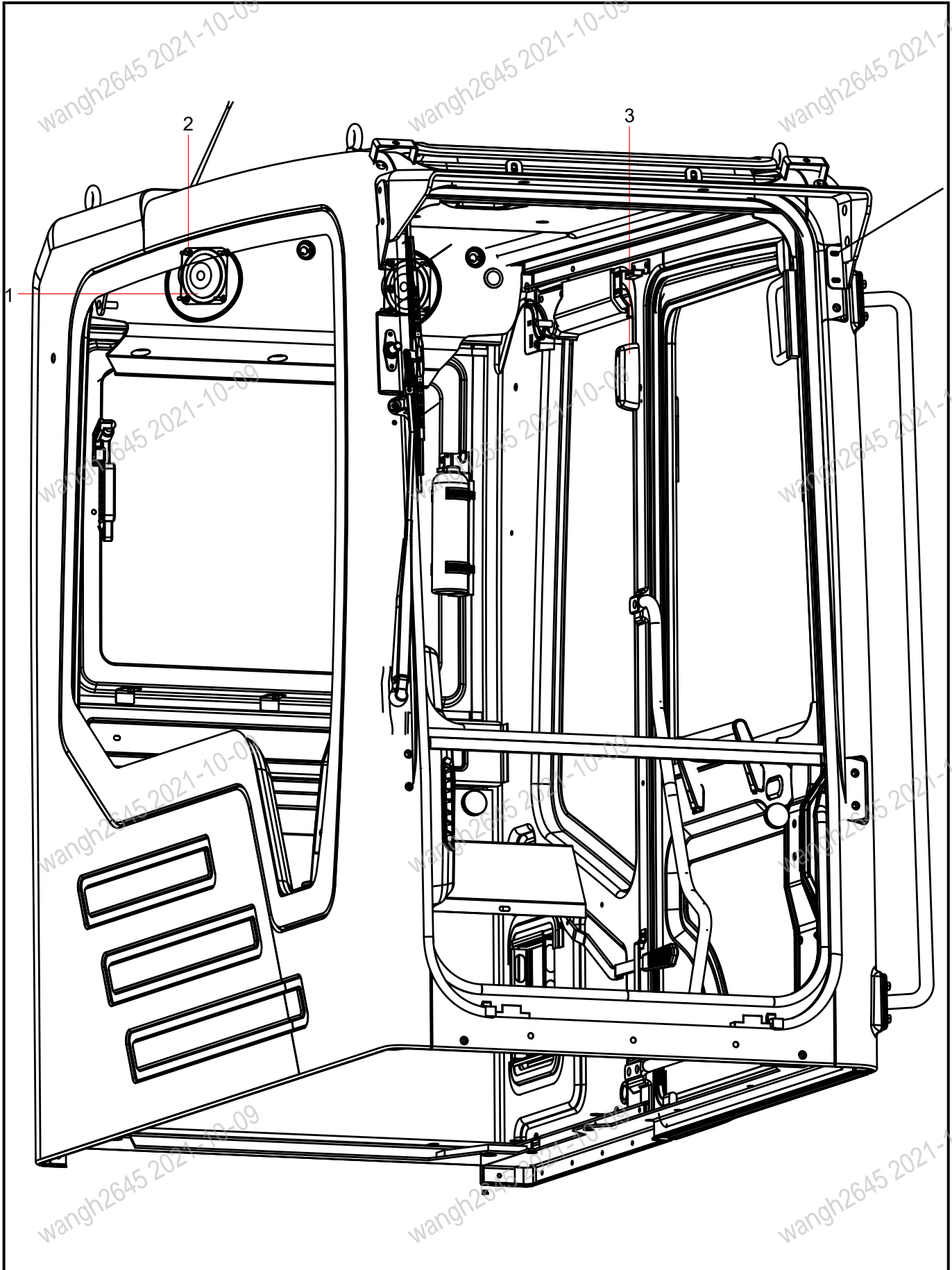


INDEX	PART NO.	DESCRIPTION	QTY	SEE PAGE
71	A210204000131	Screw	3	
72	60045595	Decorative Strip	1	
73	10465291	A/C Cover Left Bracket Assem	1	
74	10465435	A/C Cover Right Bracket Assem	1	
75	11762934	Cover Plate of Air-conditioner Assembly	1	
76	12048863	Display ScreenInstallation Bracket	1	
77	11648652	Display mounting plate	1	
78	11764044	Front Control Box Upper bracket assembly	1	
79	A229900008229	Side Fixed Block 85×20×28	2	
80	11574210	Sprue, Sealing Strip	2	
81	A229900008231	Left Lower Fixed Block 70×20×23	1	
82	A229900008230	Right Lower Fixed Block 70×20×23	1	

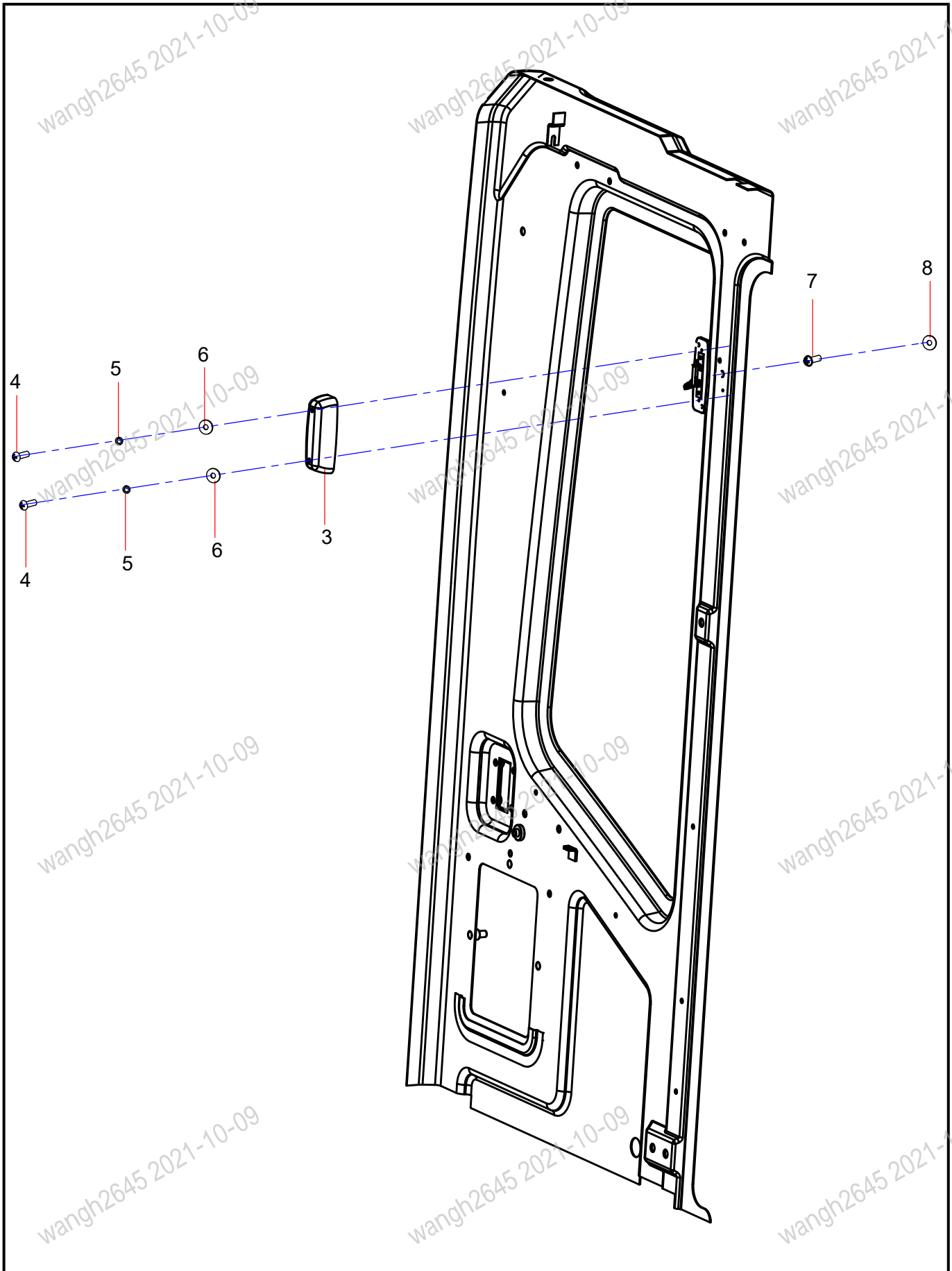




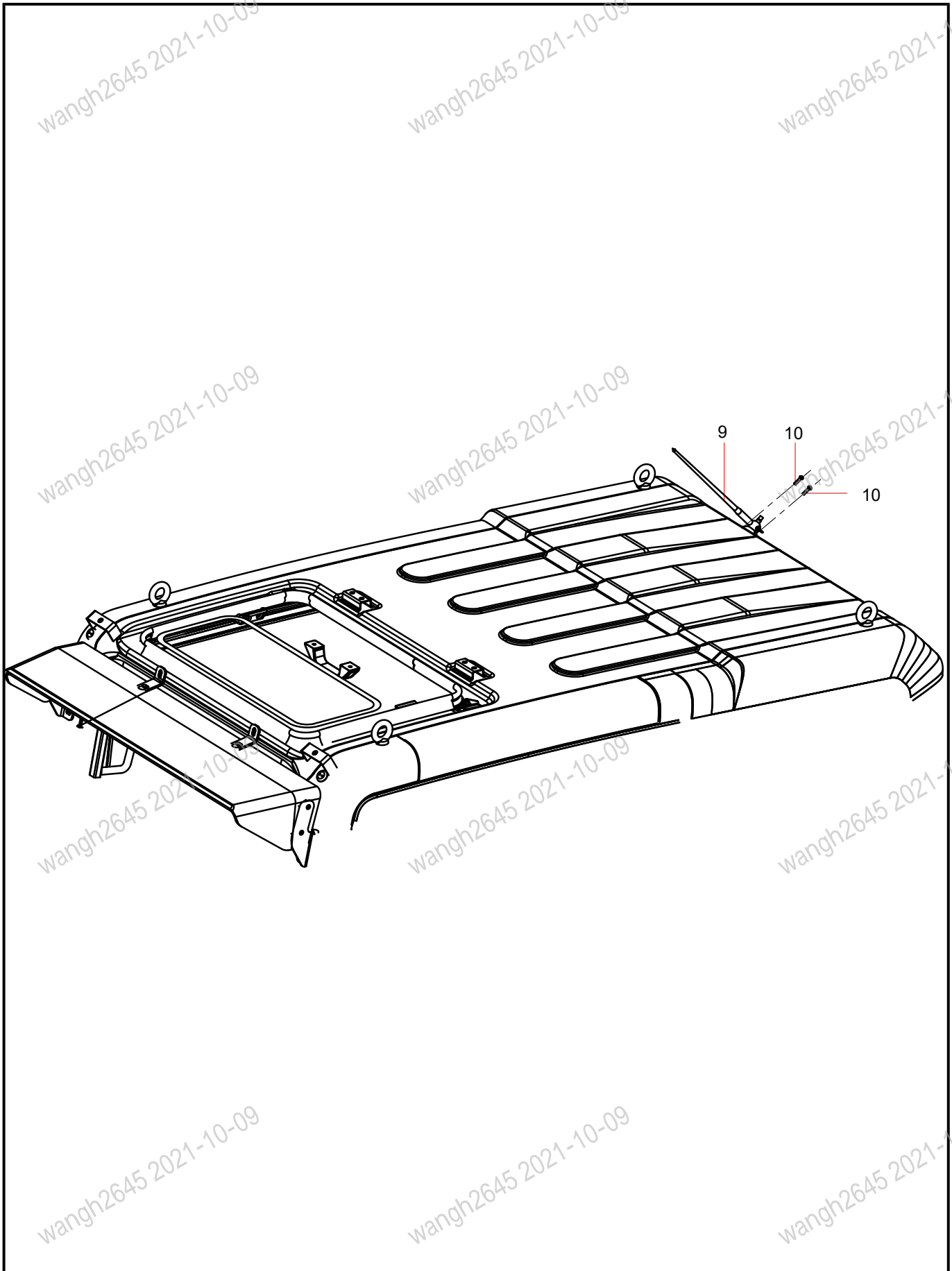
INDEX	PART NO.	DESCRIPTION	QTY	SEE PAGE
83	60256188	Fire Extinguisher	1	
84	60235897	top inner plaque	1	



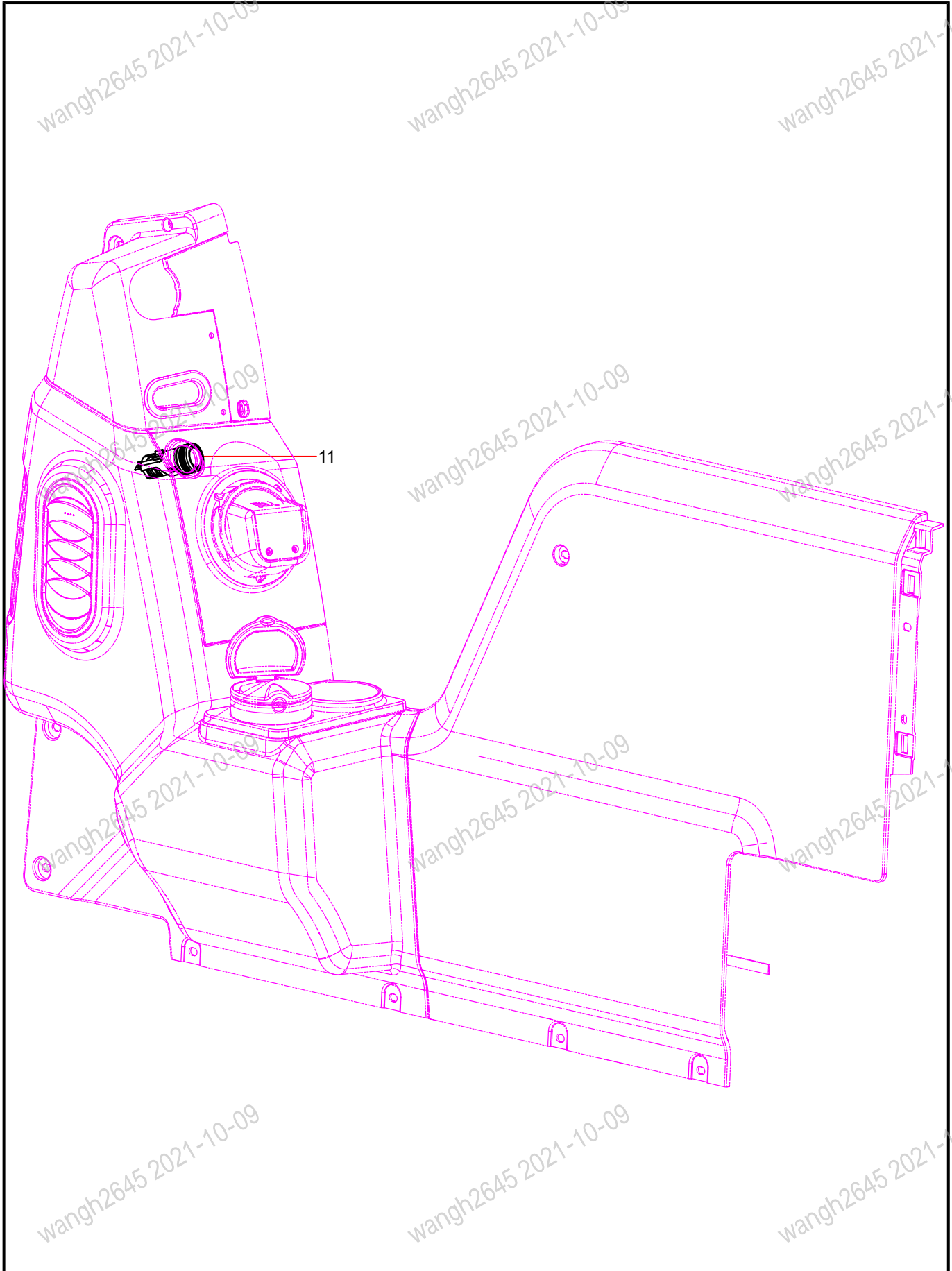
INDEX	PART NO.	DESCRIPTION	QTY	SEE PAGE
1	60358261	Speaker	1	
2	11115687	Screw, Socket Head Cap	8	
3	A229900003178	Carriage Lamp Cemc0502.8 20	1	



INDEX	PART NO.	DESCRIPTION	QTY	SEE PAGE
3	A229900003178	Carriage Lamp Cemc0502.8 20	1	
4	A210210000023	Screw	2	
5	A210401000013	Washer	2	
6	A210405000004	Washer	3	
7	A210210000010	Screw	1	
8	A210405000006	Washer	1	

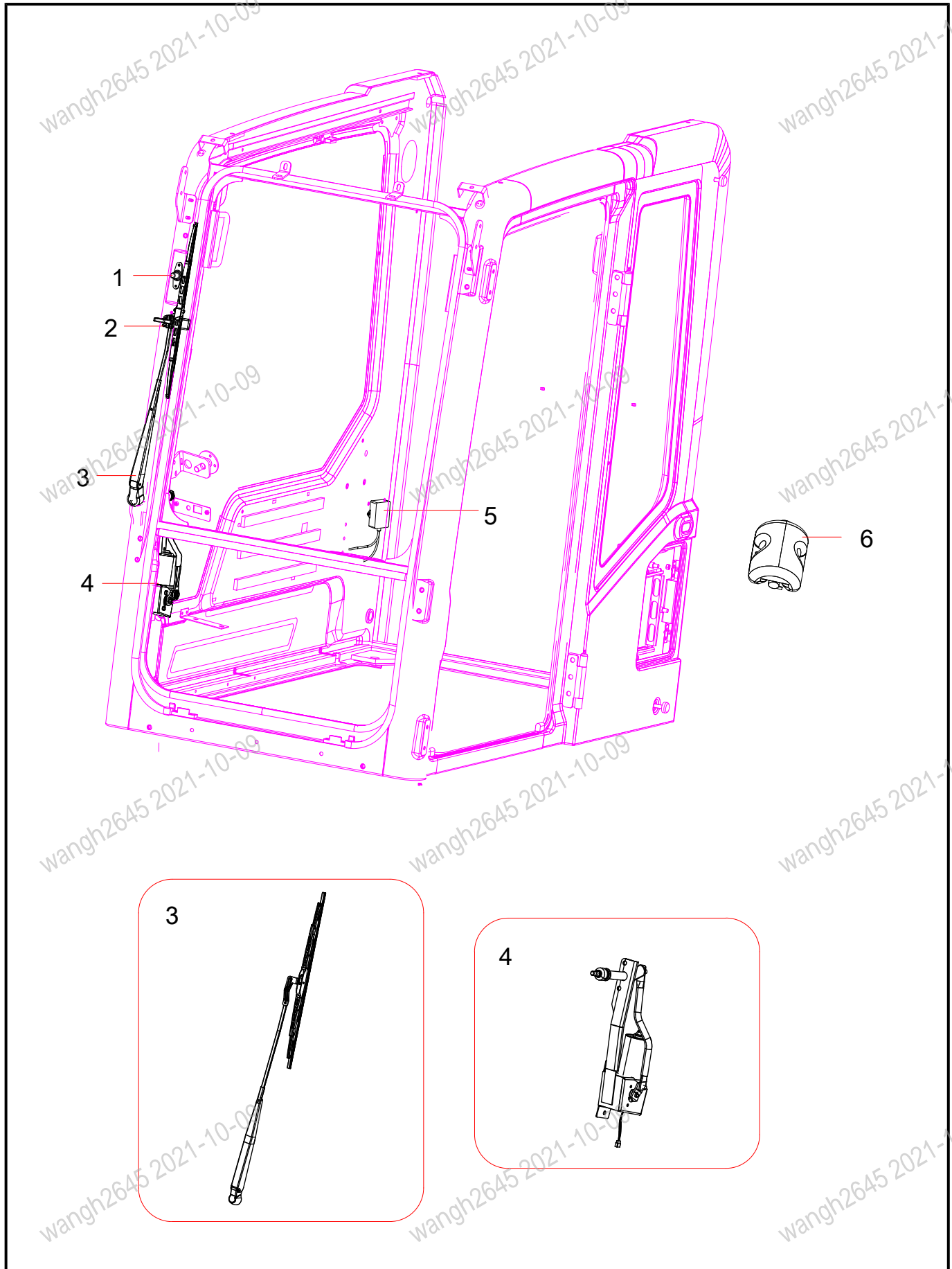


INDEX	PART NO.	DESCRIPTION	QTY	SEE PAGE
9	60090606	Antenna	1	
10	A313180502003	Screw	2	



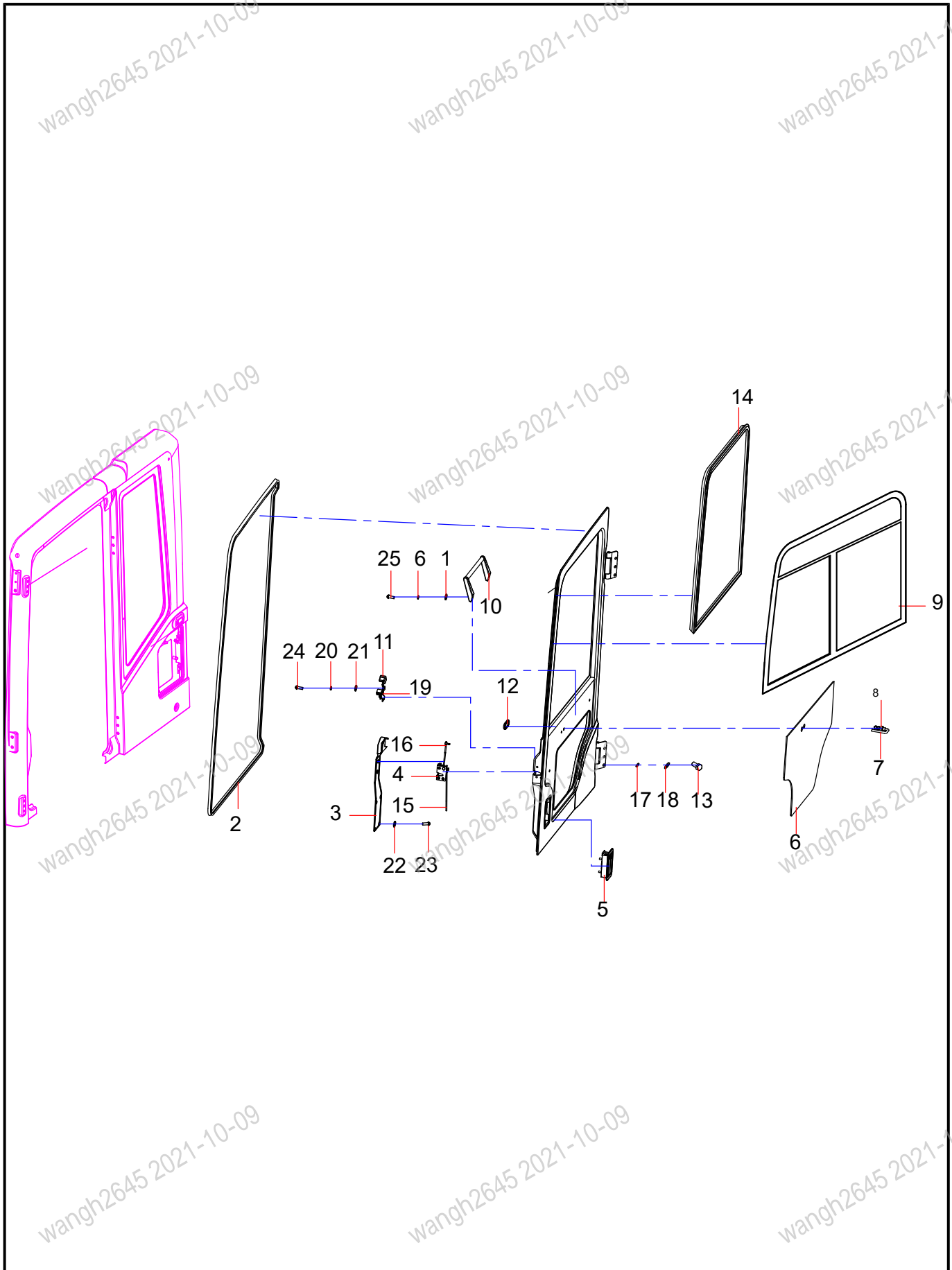


INDEX	PART NO.	DESCRIPTION	QTY	SEE PAGE
11	A229900003764	24V Cigaretter Lighter	1	



INDEX	PART NO.	DESCRIPTION	QTY	SEE PAGE
1	60351889	Wiper sprayer	1	
2	60128882	Climb Slope	1	
3	60128881	Scrape	1	
4	60128883	Moto	1	
5	60128885	Dominate System	1	
6	A22990000113	Reservoir, Windshield Washer	1	

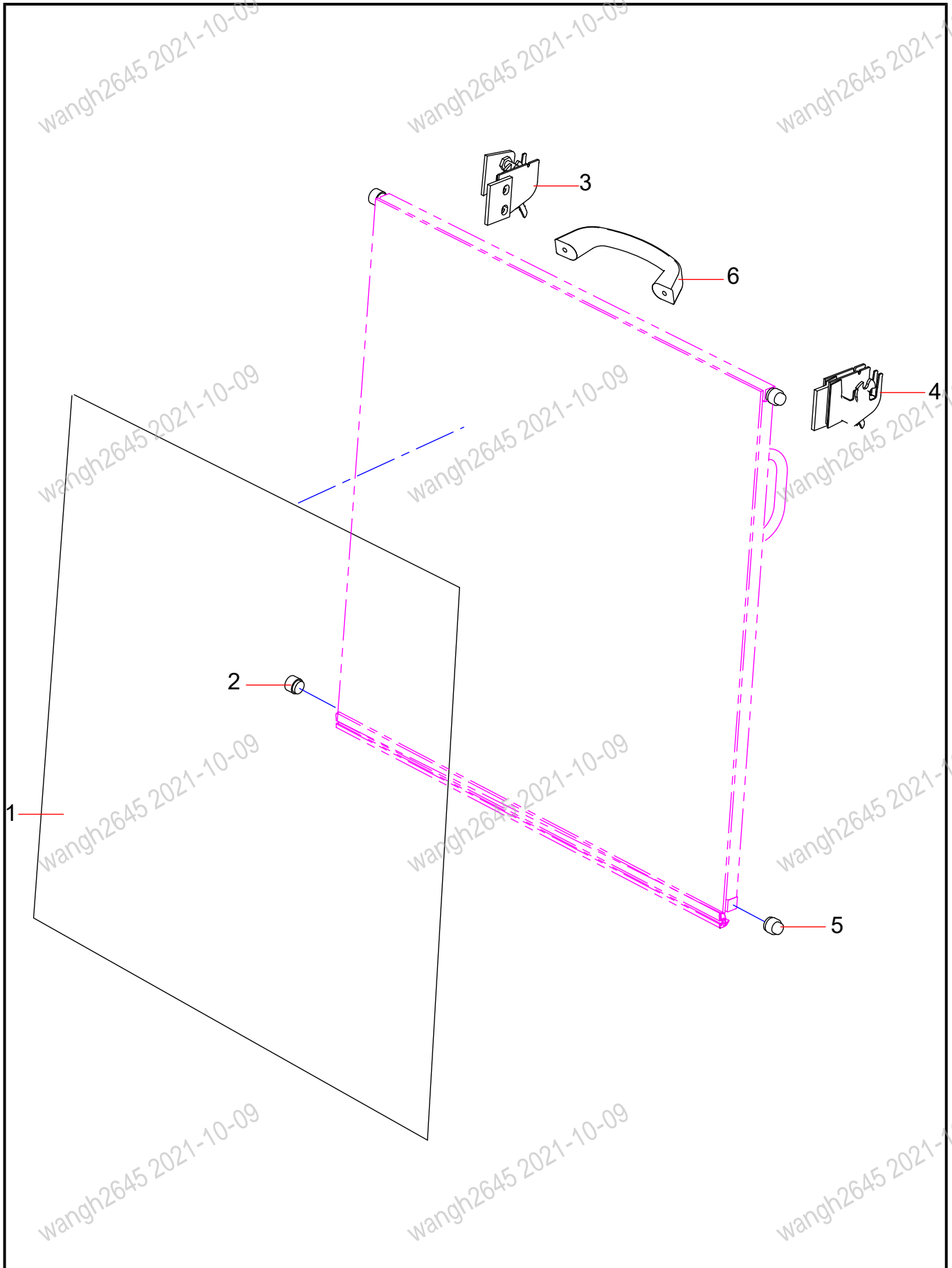
60308316 cab door assem



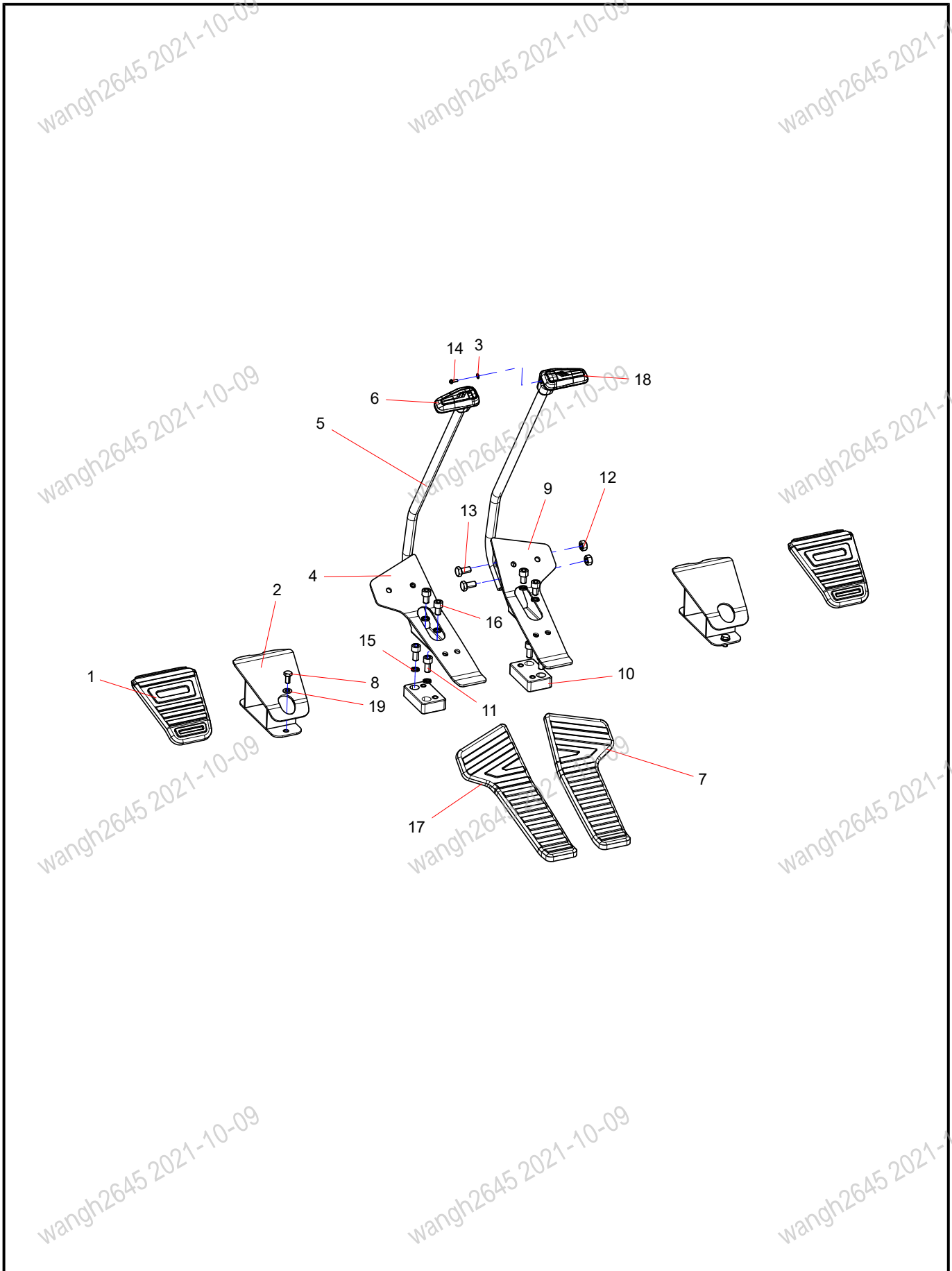
2-156 slewing device

SY135C9I3K(US).0

INDEX	PART NO.	DESCRIPTION	QTY	SEE PAGE
1	A210405000007	Washer	1	
2	111302000001	door beading of cab	1	
3	10128962	Door Inner Cover Plate	1	
4	A222200000147	Door lock assembly EMC0711.01	1	
5	A229900008575	Outer Handle Assembly Of Door Lock (Mode	1	
6	10138052	Door Lower Glass	1	
7	10138053	Latch, Outer, Door	4	
8	10133023	Cap, Protective, Rubber	1	
9	60235887	sliding window of door	1	
10	A229900002860	Door catch 20Y-54-35690	1	
11	10166212	Catch, Inner, Door	1	
12	10128922	Cap, Rubber	2	
13	A210111000037	Bolt	1	
14	10473839	Seal, Sliding Door	1	
15	60107456	Handspike of Door Lock	1	
16	60107458	Handspike of Door Lock	3	
17	A210405000001	Washer	3	
18	A210401000002	Washer	4	
19	A210491000009	Pin	20	
20	A210401000016	Washer	11	
21	A210405000006	Washer	4	
22	A210405000005	Washer	4	
23	A210210000002	Screw	4	
24	A210210000008	Screw	37	
25	A210210000007	Screw	2	



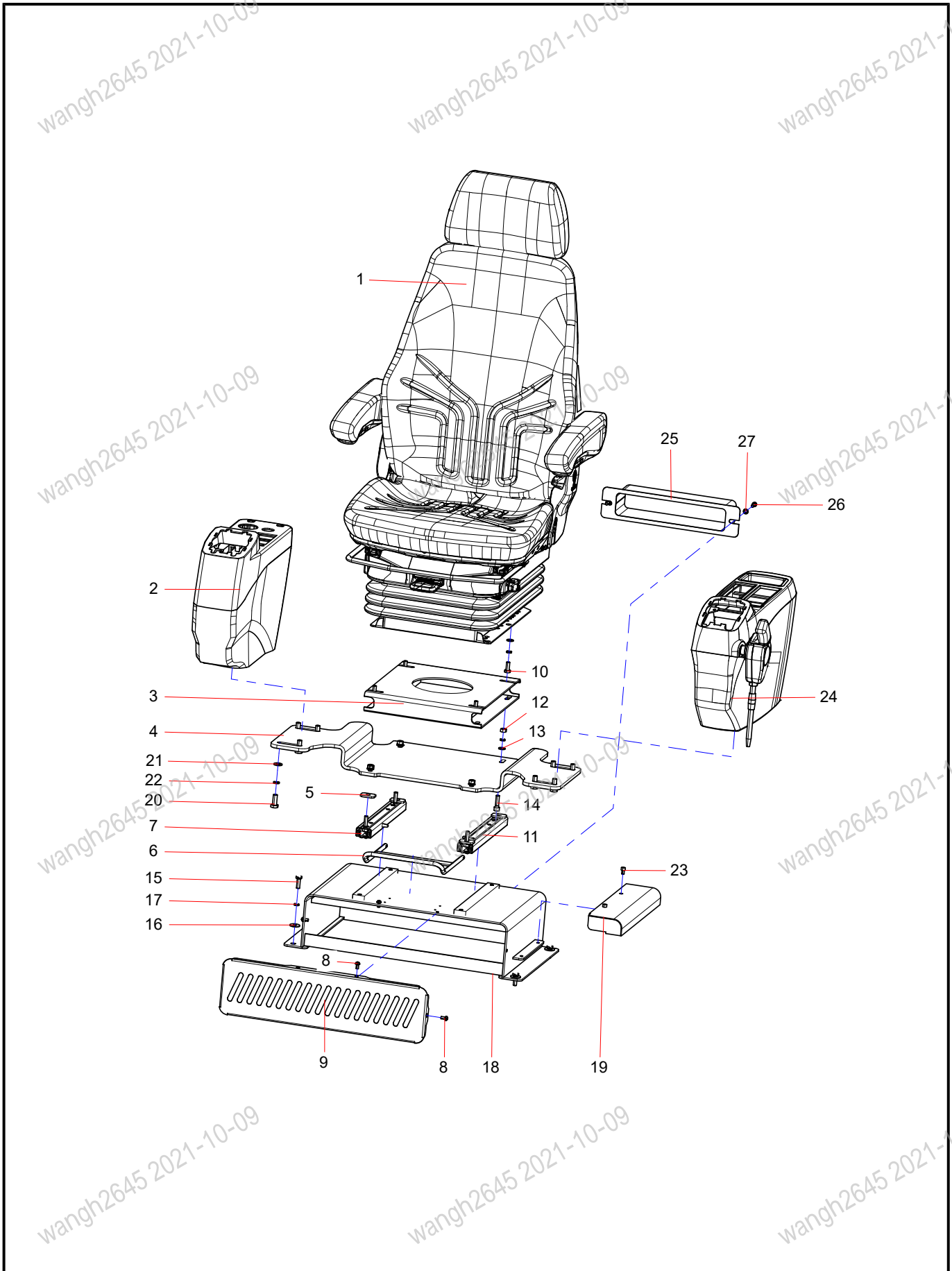
INDEX	PART NO.	DESCRIPTION	QTY	SEE PAGE
1	60235889	front upper glass	1	
2	60351139	Front window wheel	2	
3	60171052	Lock-rightFrontWindow	1	
4	60171053	Lock-leftFrontWindow	1	
5	60351138	Front window wheel	2	
6	60351887	Front window plastic handle	2	





INDEX	PART NO.	DESCRIPTION	QTY	SEE PAGE
1	12002592	Pedal Sleeve	2	
2	12846550	Pedal	2	
3	60060562	Washer	2	
4	12003641	Left Backup Plate of Pedal	1	
5	A810201073015	Lever, control	2	
6	12688927	Left Handle	1	
7	12010268	Right Backup Sleeve of Pedal	1	
8	A210111000342	Bolt	4	
9	12009972	Right Backup Plate of Pedal	1	
10	11571909	Block	2	
11	A210204000196	Screw	4	
12	A210307000036	Nut	4	
13	A210111000012	Bolt	4	
14	A210210000030	Screw	2	
15	24000512	Washer	8	
16	A210204000334	Screw	4	
17	12009258	Left Backup Sleeve of Pedal	1	
18	12691132	Right Handle	1	
19	24000633	Washer	4	

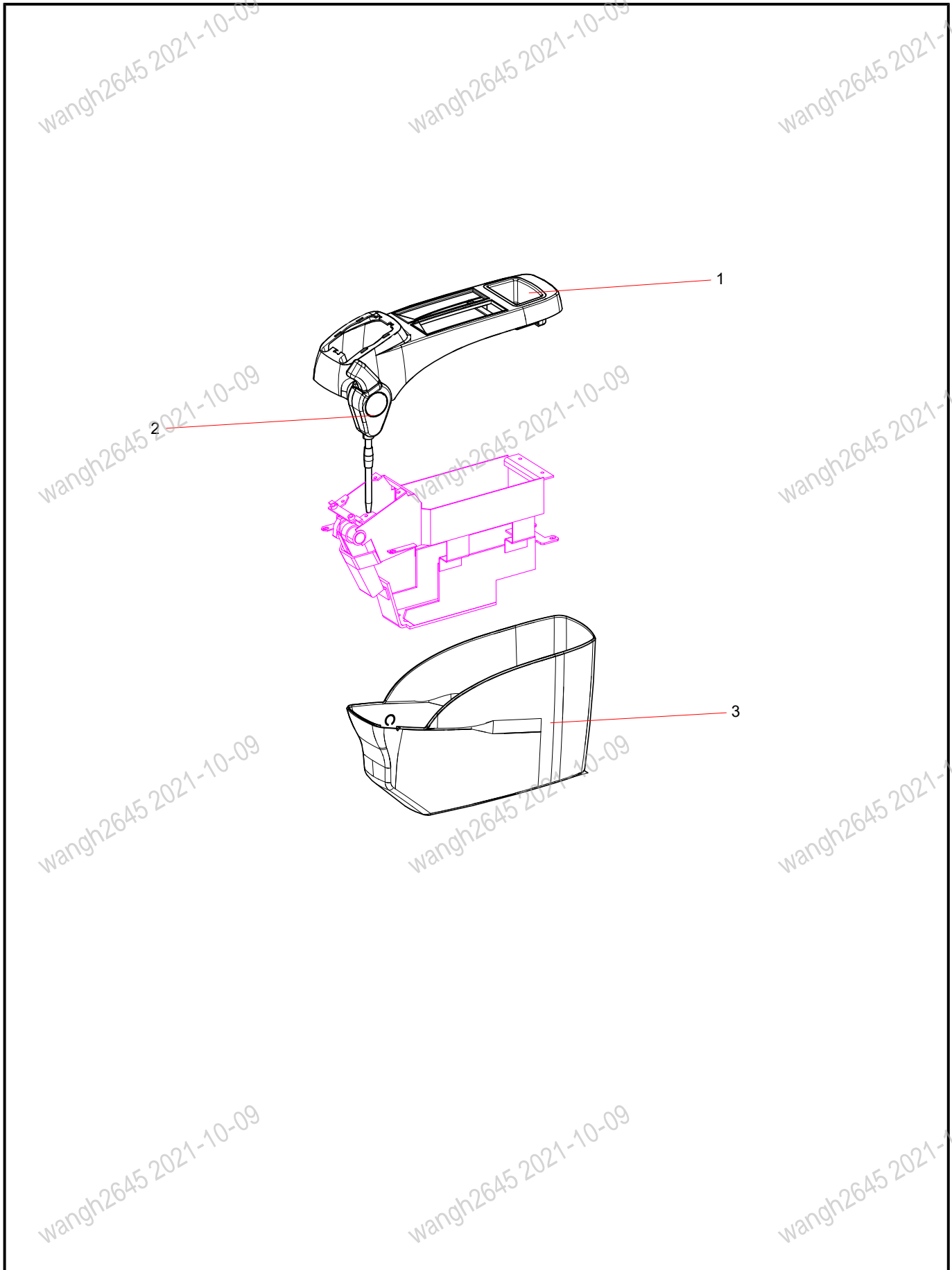
11640080 seat and control cabinet



2-162 slewing device

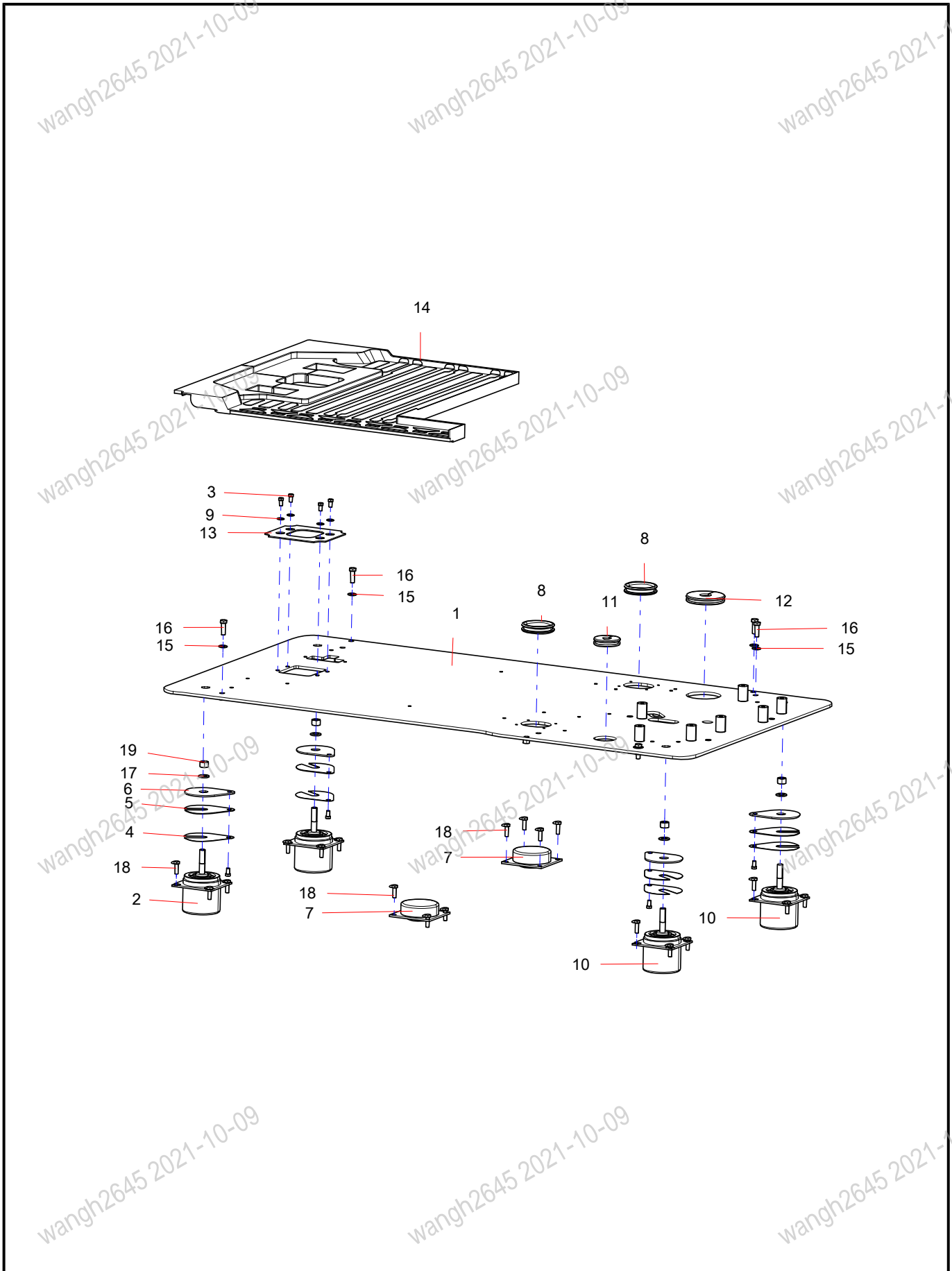
SY135C9I3K(US).0

INDEX	PART NO.	DESCRIPTION	QTY	SEE PAGE
1	61000961	Air suspension seat	1	
2	60022656	Right armrest box assembly	1	
3	10115295	Seat Upper Base Frame	1	
4	13526417	Supporting Plate	1	
5	10130346	Seat Guide Track Adjusting Shim	4	
6	B229900000494	Seat Lock Rod	1	
7	60033517	Seat Guide Rail(Right)	1	
8	A210210000010	Screw	4	
9	10140450	Electric Assembly Front Cover Base Rack	1	
10	A210111000343	Bolt	4	
11	60033205	Seat Guide Rail(Left)	1	
12	A210307000012	Nut	8	
13	24000633	Washer	8	
14	A210204000164	Screw	4	
15	A210111000090	Bolt	4	
16	60060565	Washer	4	
17	24000511	Washer	12	
18	10428097	Seat Lower Base Frame	1	
19	10344193	Outer Protective Cover	1	
20	A210111000197	Bolt	8	
21	24000637	Washer	8	
22	24000512	Washer	8	
23	A210204000172	Screw	2	
24	A229900007792	Left armrest box assembly	1	2-164
25	10241175	Air Duct Connection Flange	1	
26	A210204000130	Screw	2	
27	24000632	Washer	2	

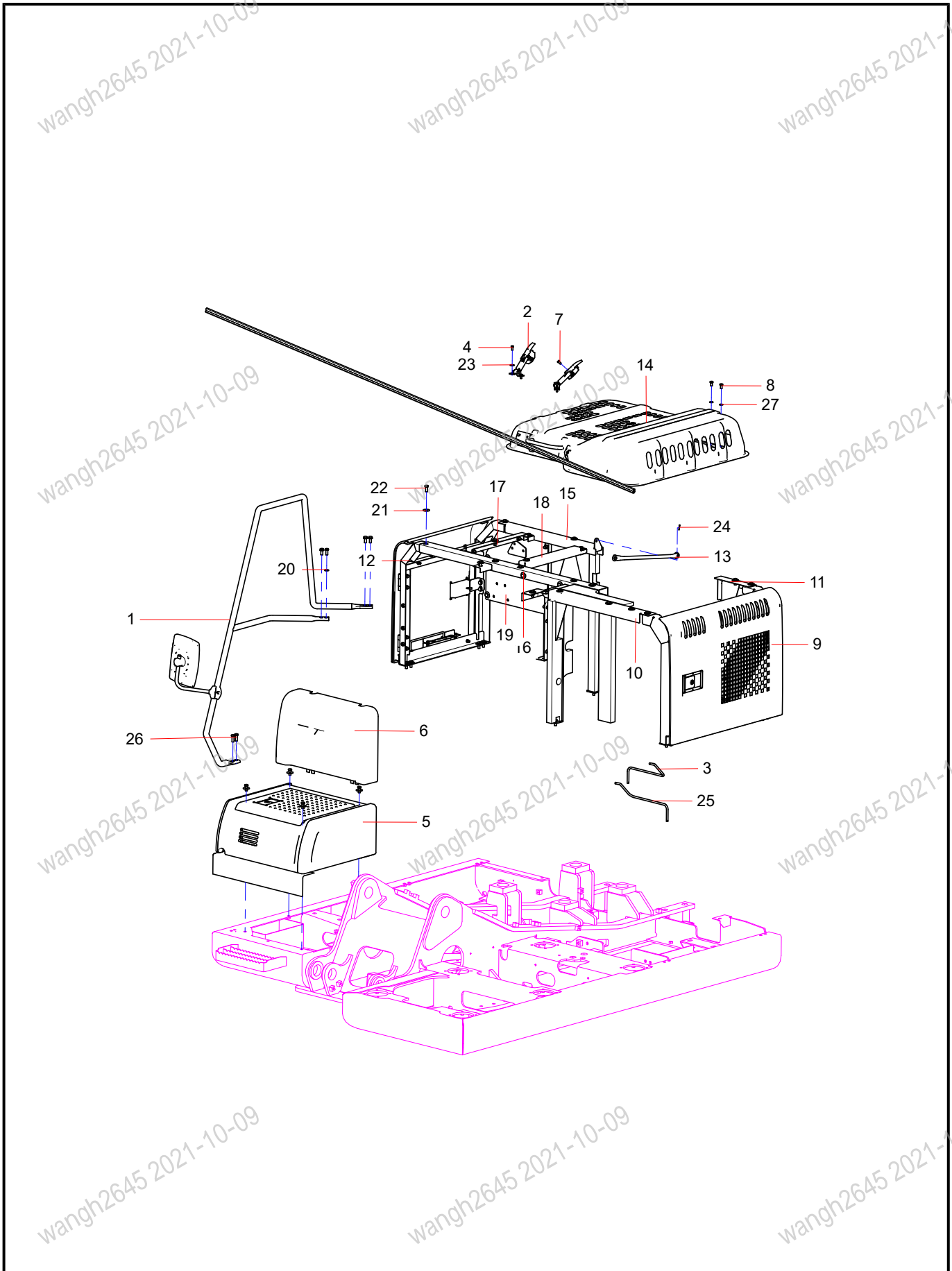


INDEX	PART NO.	DESCRIPTION	QTY	SEE PAGE
1	60357401	Left arm rest box	1	
2	60357403	Pilot lock group	1	
3	60357400	Right arm rest box	1	

12935011 Bottom board rack of cab

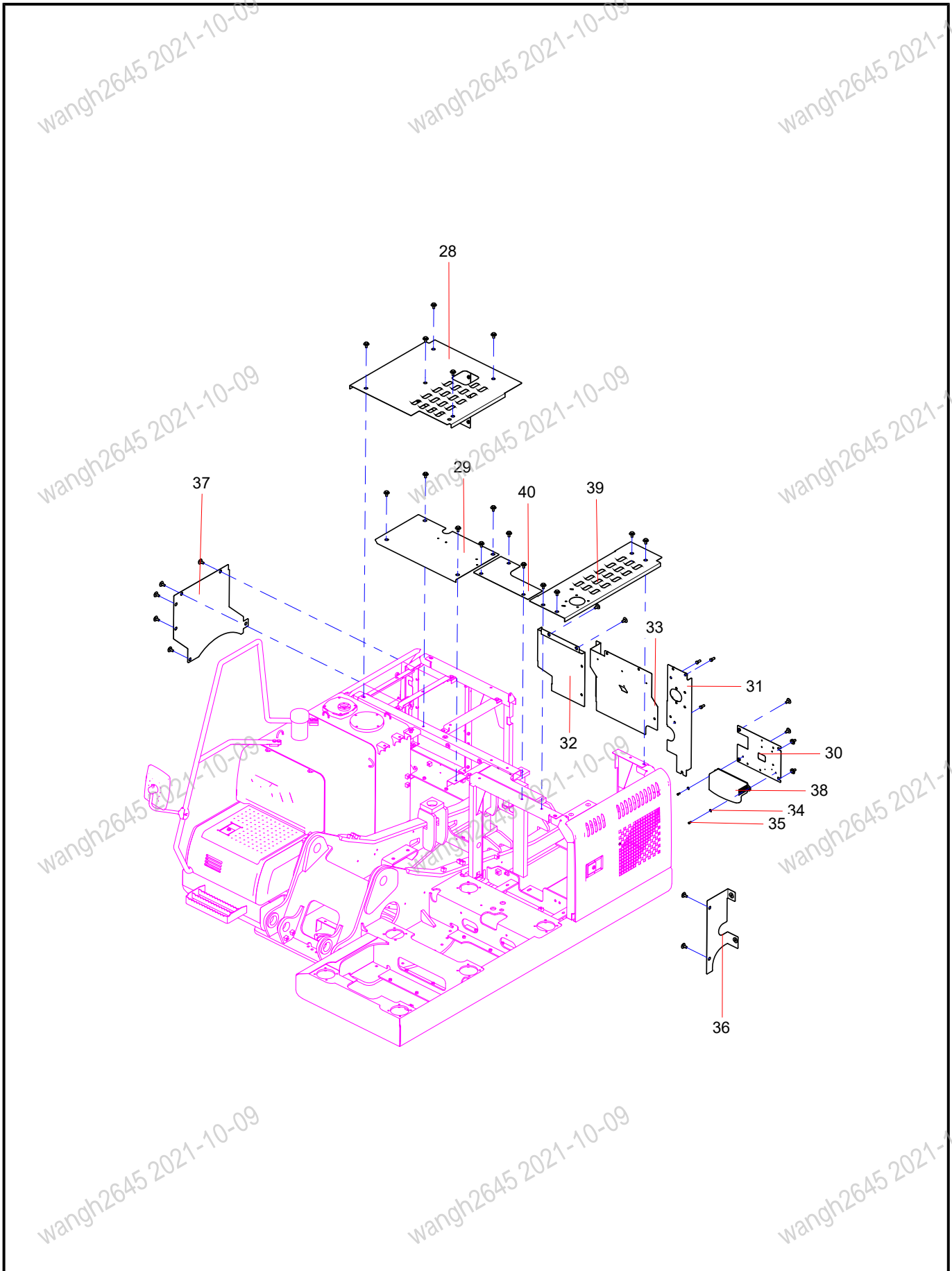


INDEX	PART NO.	DESCRIPTION	QTY	SEE PAGE
1	12653044	Base Plate	1	
2	B229900000244	Cab Shock Absorber	2	
3	A210111000195	Bolt	8	
4	11593942	Gasket	4	
5	11594064	Shim	4	
6	11546613	Cushion Board	4	
7	60242011	Damper	2	
8	A820606030056	Grommet	2	
9	24000637	Washer	8	
10	B229900000245	Cab Shock Absorber	2	
11	14181458	Rubber sleeve	1	
12	14181459	Rubber sleeve	1	
13	11937141	Foot Valve Seal	1	
14	11670604	Floor Pad	1	
15	24000639	Washer	5	
16	A210111000203	Bolt	5	
17	24000642	Washer	4	
18	A210111000024	Bolt	24	
19	A210307000028	Nut	4	

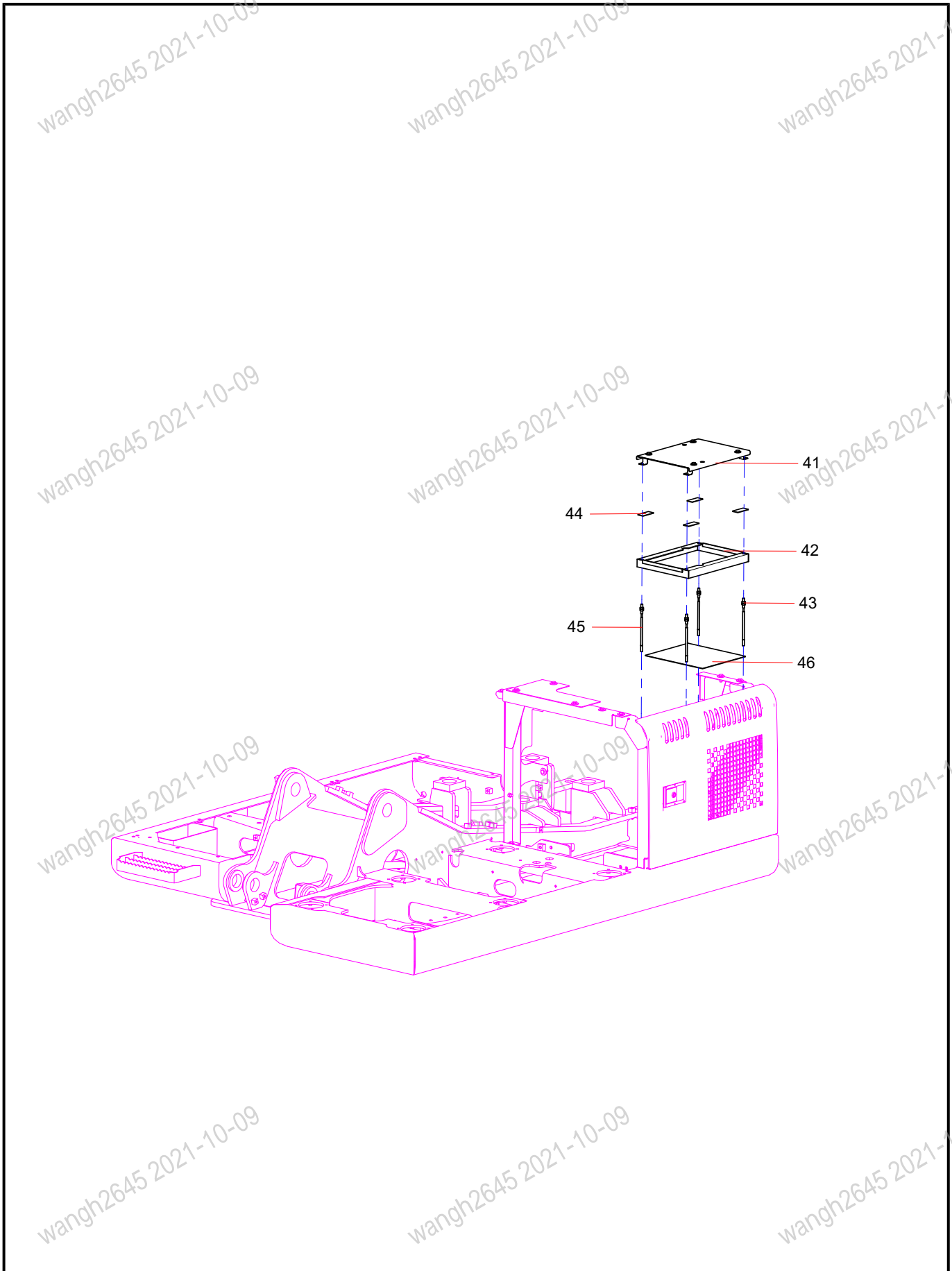




INDEX	PART NO.	DESCRIPTION	QTY	SEE PAGE
1	A810599001056	hand rail	1	2-174
2	A222200000065	Machine Shed Lock Assembly	2	
3	13158666	front Spring	1	
4	A210111000343	Bolt	4	
5	12239518	front engine hood assembly	1	2-176
6	12236268	Trim cover	1	
7	A210111000342	Bolt	4	
8	A210111000012	Bolt	4	
9	13828119	Right Door Assy.	1	2-178
10	13828132	right door frame	1	
11	13828145	right door frame	1	
12	13828152	Right Door Assy.	1	2-180
13	13528739	stay rod assembly	1	
14	13531517	bonnet assy	1	2-182
15	13828158	right door frame	1	
16	13828162	front cross rail	1	
17	13828168	supporting plate	1	
18	13828172	supporting plate	1	
19	13828183	fix board	1	
20	24000639	Washer	15	
21	60060548	Washer	61	
22	A210111000202	Bolt	72	
23	60060565	Washer	8	
24	A210491000014	Pin	2	
25	13159343	rear spring	1	
26	A210111000203	Bolt	2	
27	24000637	Washer	4	

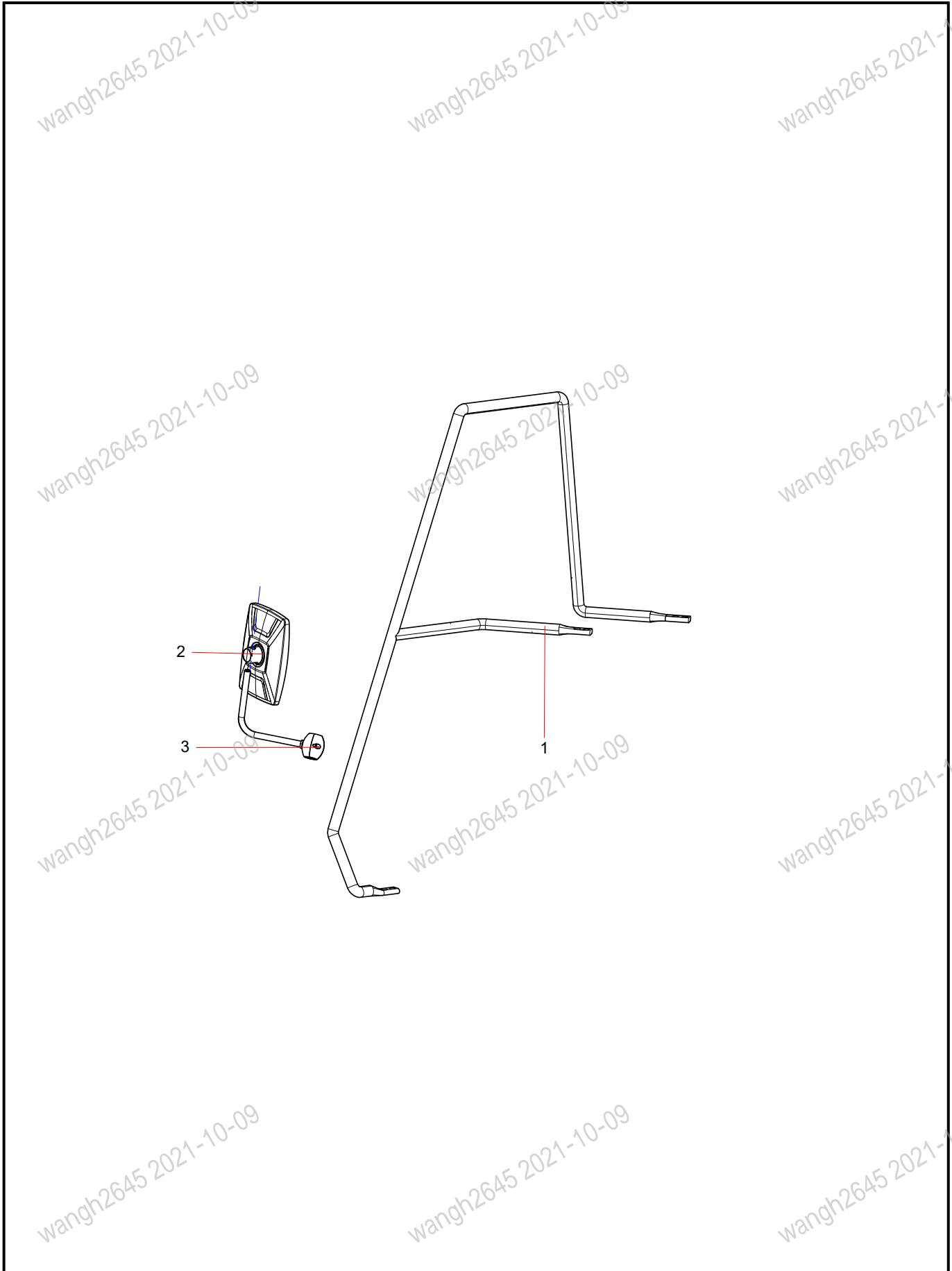


INDEX	PART NO.	DESCRIPTION	QTY	SEE PAGE
28	13039579	Right upper rear cover plate	1	
29	13422882	Front cover plate	1	
30	13853860	fix board	1	
31	13039593	Left spacing plate	1	
32	13039597	Right partition plate	1	
33	13592799	Central partition plate	1	
34	60238783	Washer	4	
35	A210204000130	Screw	4	
36	13587872	Side plate	1	
37	13039598	Rear distance piece	1	
38	13011029	Electric box	1	
39	13528123	plate cover upper left	1	
40	13425181	Front cover plate	1	



INDEX	PART NO.	DESCRIPTION	QTY	SEE PAGE
41	11991710	Guard of battery	1	2-184
42	12403409	battery pressure plate assembly	1	
43	A210307000036	Nut	8	
44	A820606030643	Rubber Pad	4	
45	A820301015908	Double-threaded Stud	4	
46	A820606020243	Battery rubber pad	1	

A810599001056 hand rail

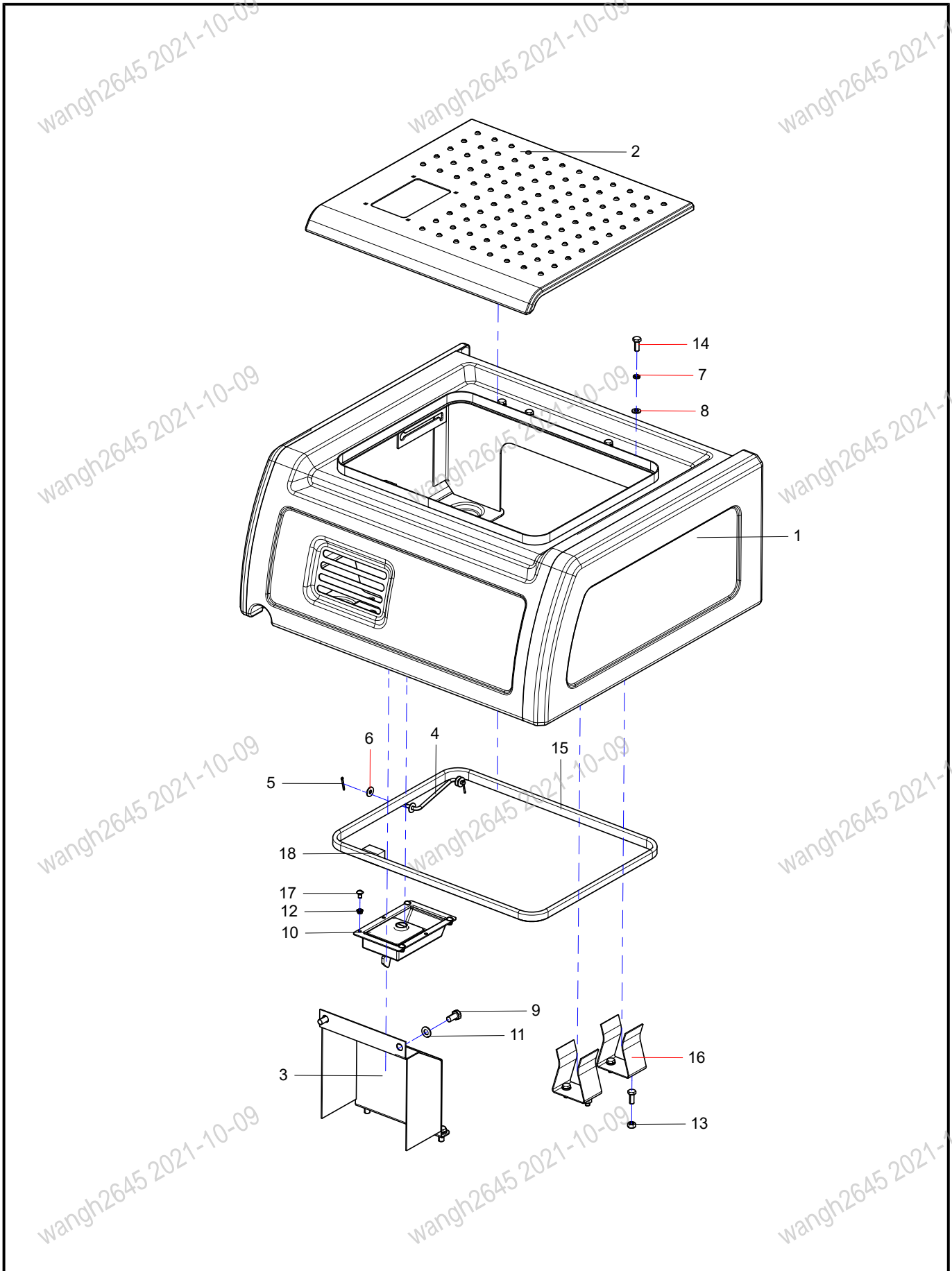


2-174 slewing device

SY135C9I3K(US).0

INDEX	PART NO.	DESCRIPTION	QTY	SEE PAGE
1	11593380	Hand banister	1	
2	130907000157A	Mirror,Rear	1	
3	13338063	mounting rack of rearview mirror	1	

12239518 front engine hood assembly



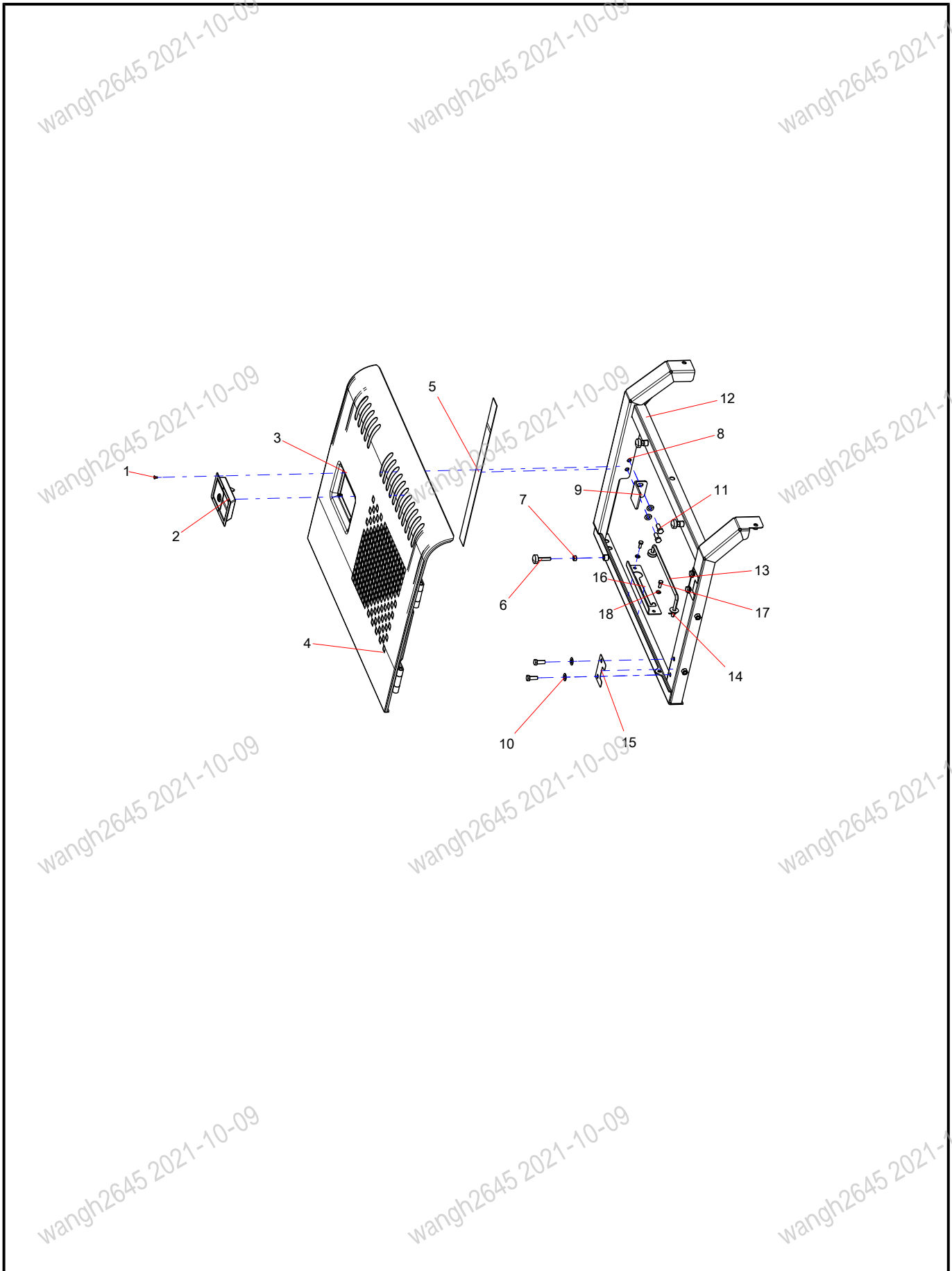
2-176 slewing device

SY135C9I3K(US).0



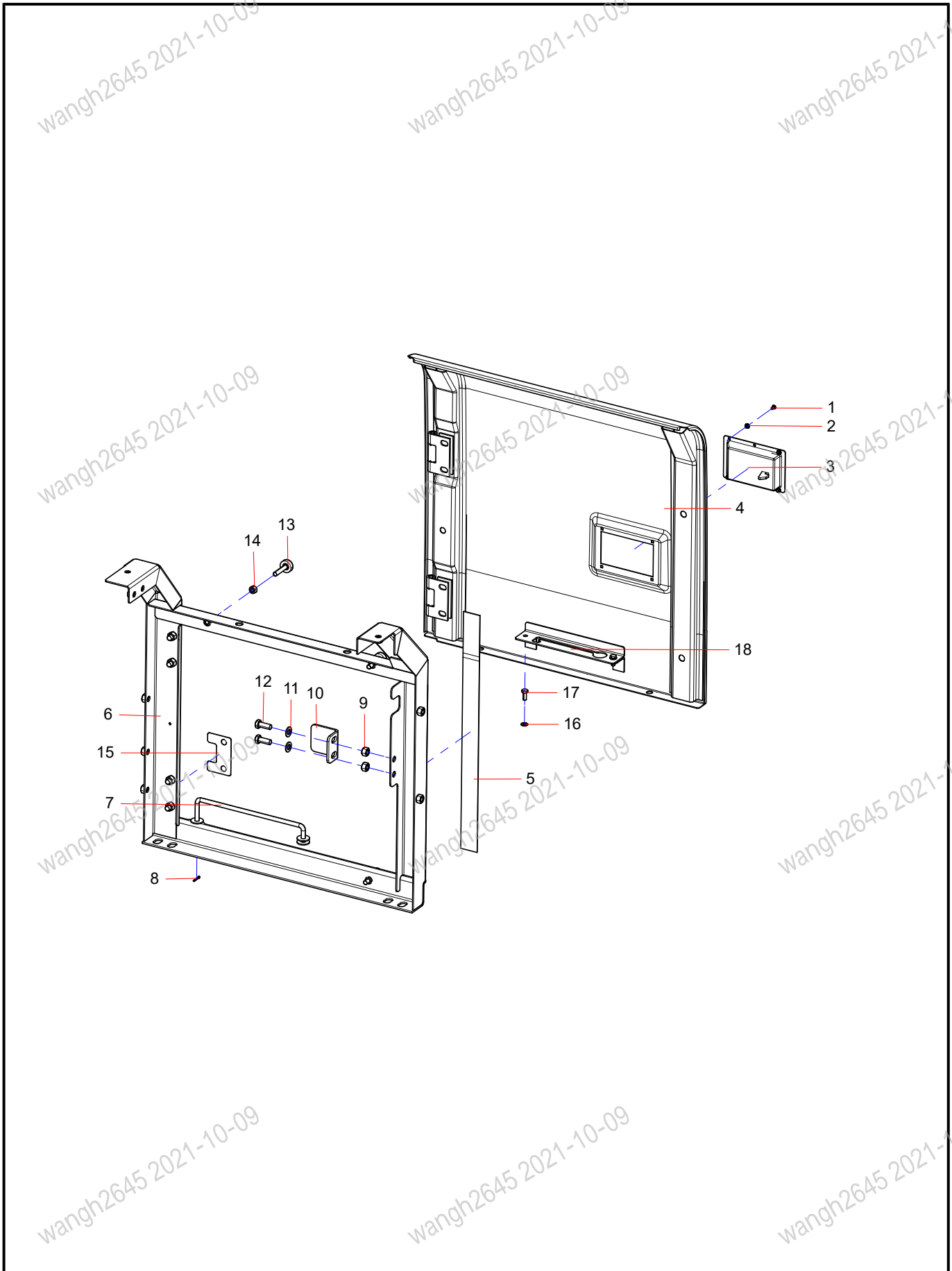
INDEX	PART NO.	DESCRIPTION	QTY	SEE PAGE
1	12233605	front engine hood	1	
2	12233075	front engine hood cover	1	
3	12232977	lamp cover	1	
4	A810502990125	Lever	1	
5	A210491000007	Pin	2	
6	60238783	Washer	2	
7	24000511	Washer	4	
8	24000633	Washer	8	
9	A210111000012	Bolt	4	
10	A222200000012	Door Lock	1	
11	24000637	Washer	4	
12	11817218	Check Nut	4	
13	A210307000012	Nut	4	
14	A210111000343	Bolt	8	
15	12233329	sealing strip	1	
16	12233429	Clamping Collar	2	
17	10911866	Fixed Clamp	4	
18	A820606030559	Buffer Pad	1	

13828119 Right Door Assy.



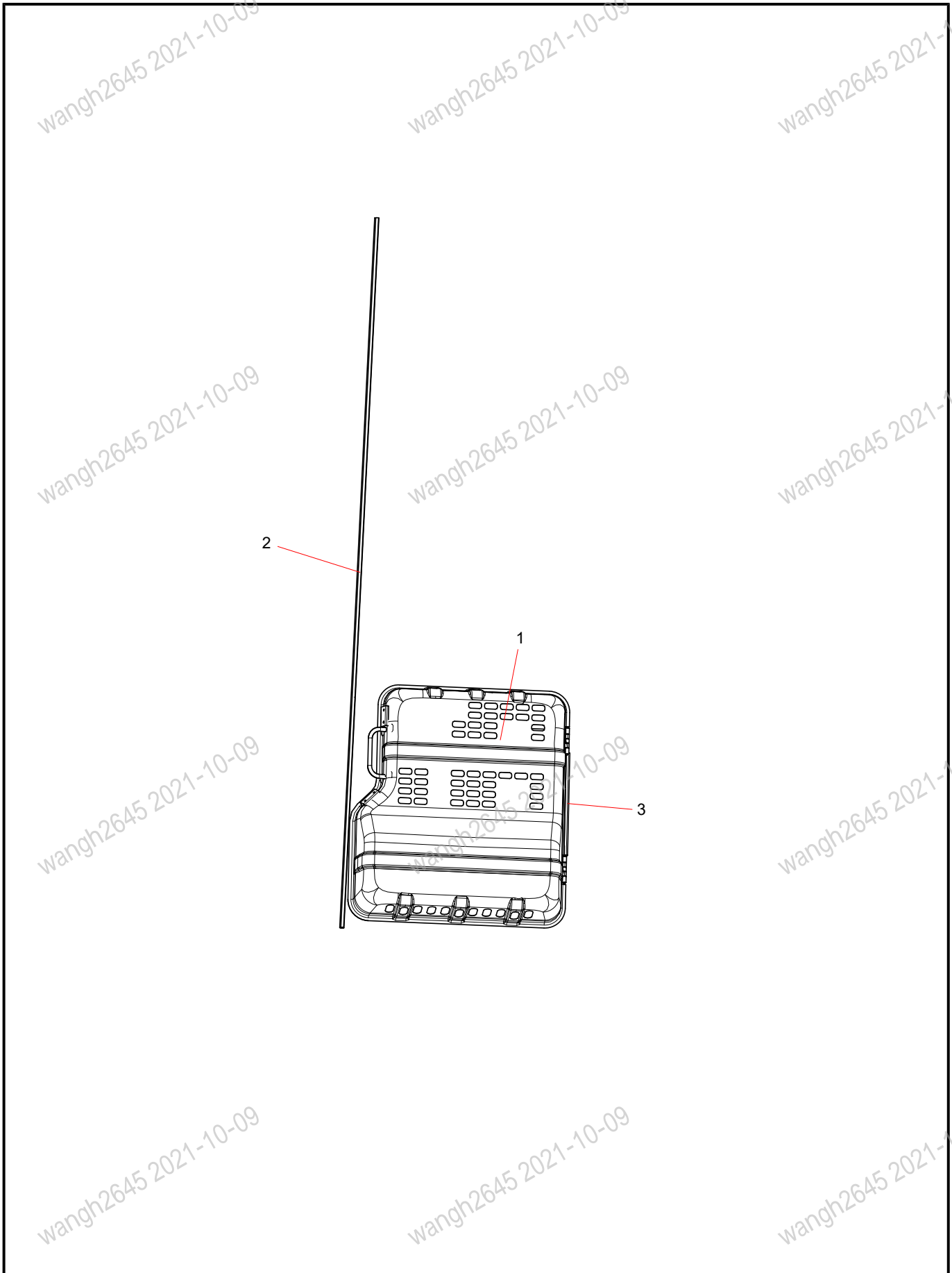
INDEX	PART NO.	DESCRIPTION	QTY	SEE PAGE
1	11817247	Fix Board	4	
2	A222200000012	Door Lock	1	
3	11817218	Check Nut	4	
4	13748065	left door	1	
5	12735024	Gasket, Rubber	1	
6	A810502019056	Set Screw	3	
7	A210307000036	Nut	3	
8	A210307000031	Nut	2	
9	13801283	door-shaft seal	1	
10	24000639	Washer	6	
11	A210111000202	Bolt	6	
12	13828122	right door frame	1	
13	12196084	Rod, Door	1	
14	A210501000001	Pin	1	
15	13853862	Washer	2	
16	13996527	Groove Plate	1	
17	A210111000343	Bolt	2	
18	24000633	Washer	2	

13828152 Right Door Assy.



INDEX	PART NO.	DESCRIPTION	QTY	SEE PAGE
1	11817247	Fix Board	4	
2	11817218	Check Nut	4	
3	A222200000012	Door Lock	1	
4	13527887	right door	1	
5	12735024	Gasket, Rubber	1	
6	13828155	right door frame	1	
7	12196084	Rod, Door	1	
8	A210501000001	Pin	1	
9	A210307000031	Nut	2	
10	13801283	door-shaft seal	1	
11	24000639	Washer	6	
12	A210111000202	Bolt	6	
13	A810502019056	Set Screw	3	
14	A210307000036	Nut	3	
15	13853862	Washer	2	
16	24000633	Washer	2	
17	A210111000343	Bolt	2	
18	13996527	Groove Plate	1	

13531517 bonnet assy

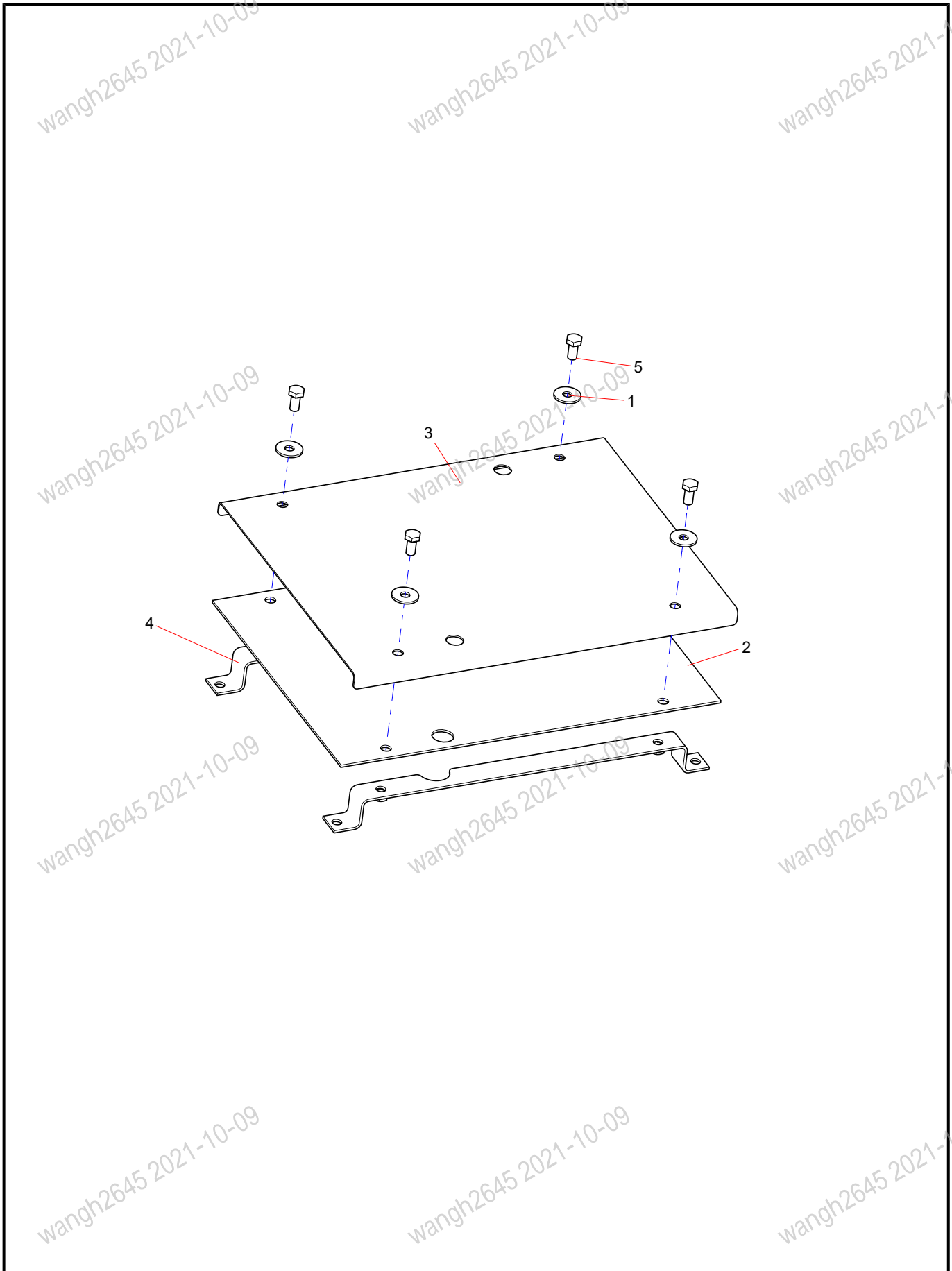


2-182 slewing device

SY135C9I3K(US).0

INDEX	PART NO.	DESCRIPTION	QTY	SEE PAGE
1	13881689	bonnet assy	1	
2	13439953	Sealing strip	1	
3	13439958	Sealing strip	1	

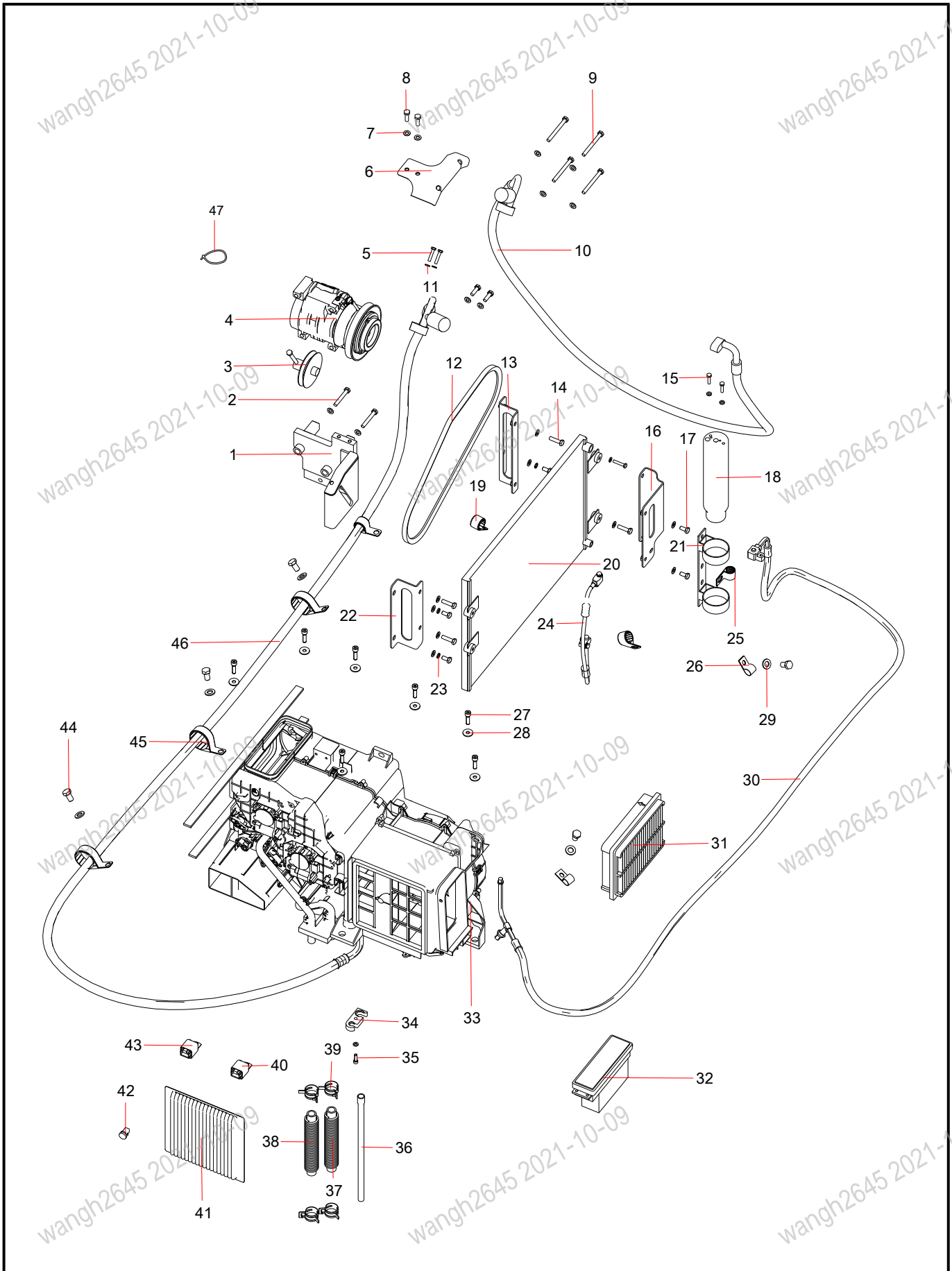
11991710 Guard of battery





INDEX	PART NO.	DESCRIPTION	QTY	SEE PAGE
1	60060546	Washer	4	
2	11991709	Battery rubber pad	1	
3	11991708	Cover plate	1	
4	11991712	Cover plate supporting	2	
5	A210111000012	Bolt	4	

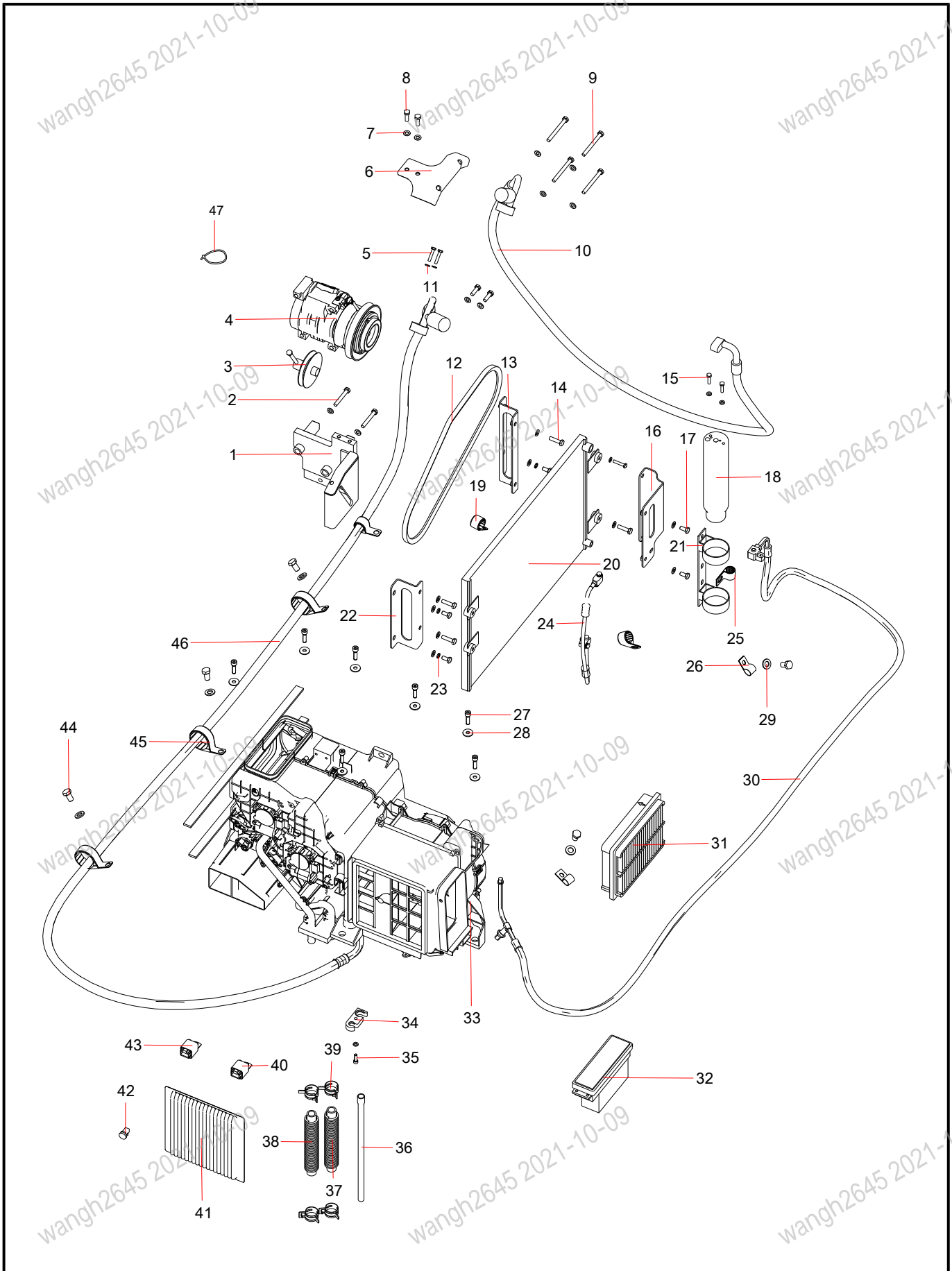
13840366 air conditioning



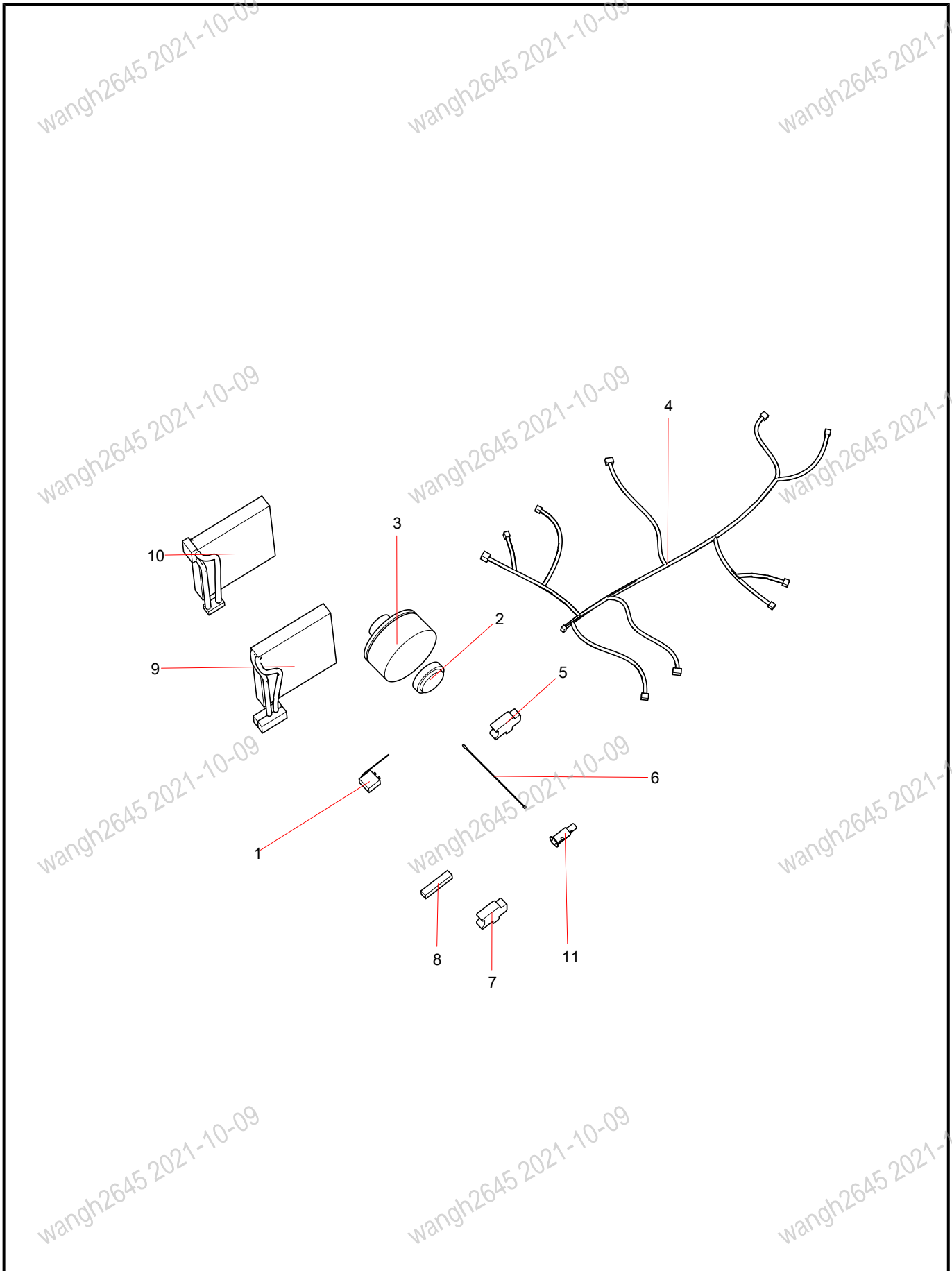
2-186 slewing device

SY135C9I3K(US).0

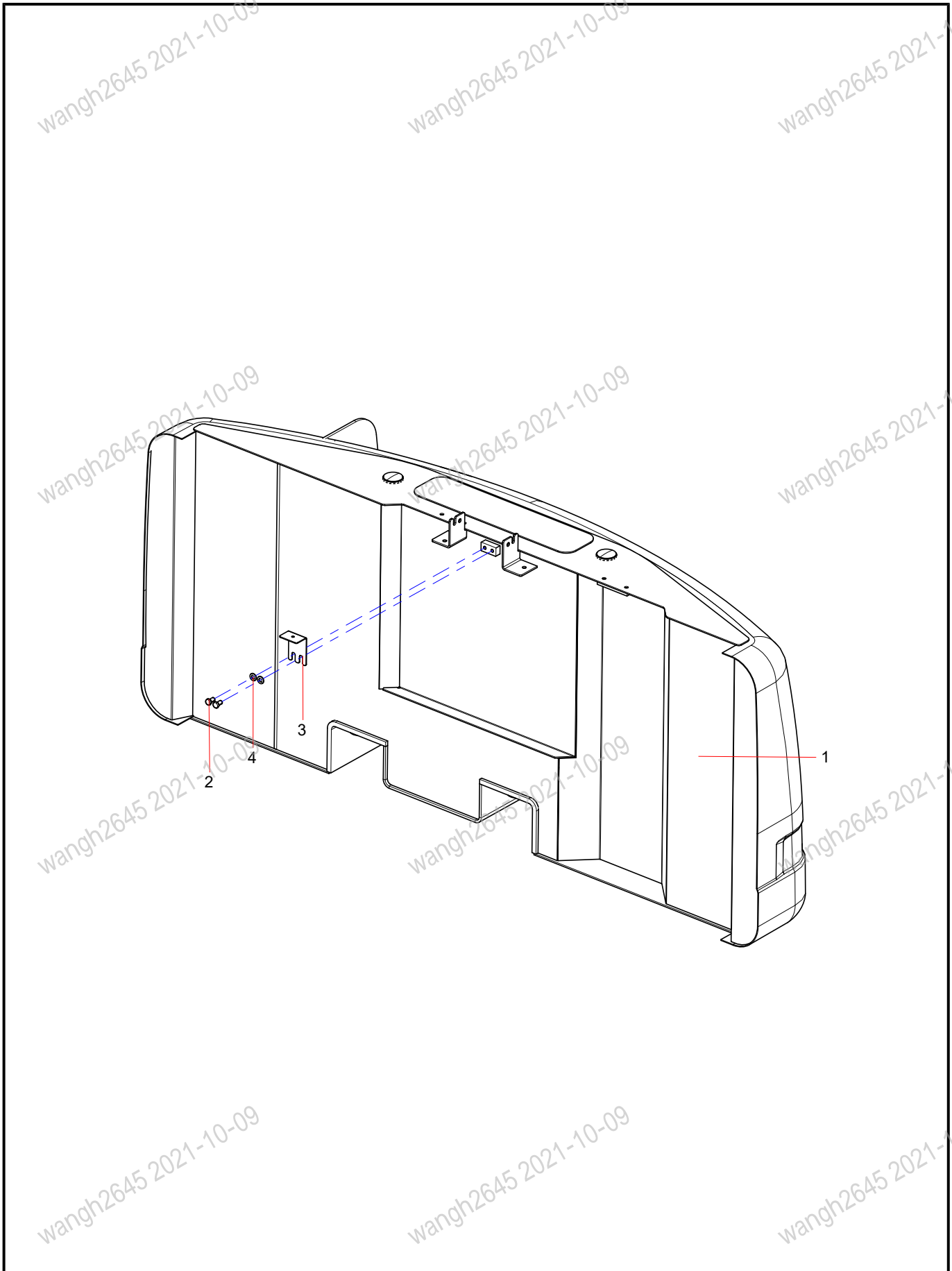
INDEX	PART NO.	DESCRIPTION	QTY	SEE PAGE
1	10793597	Compressor Bracket	1	
2	A210111000302	Bolt	2	
3	60009582	Tension Wheel	1	
4	B220203000007	Compressor	1	
5	A210111000082	Bolt	4	
6	11147611	The Protective Cover Of A/C Compressor	1	
7	24000633	Washer	20	
8	A210111000323	Bolt	4	
9	A210111000097	Bolt	4	
10	60018791	Exhaust hose	1	
11	24000632	Washer	7	
12	A230106000307	Triangular Belt	1	
13	10254232	right bracket	1	
14	A210111000293	Bolt	4	
15	A210111000081	Bolt	2	
16	12295713	drying bottle support	1	
17	A210111000342	Bolt	6	
18	B229900005141	Reservoir	1	
19	60086355	Clamp	3	
20	A220700000028	Condenser	1	
21	A229900008784	Reservoir Bracket	1	
22	10254231	left bracket	1	
23	24000511	Washer	4	
24	60030341	Condenser to Reservoir Hose Assembly	1	
25	60086354	Clamp	1	
26	60083322	Clamp	2	
27	A210204000164	Screw	7	
28	60060565	Washer	7	
29	24000639	Washer	5	
30	60275557	Reservior-HVAC Hose	1	
31	60250669	Outer Air Filter	1	
32	60240844	Control Panel	1	
33	60168171	Assembly, Air Conditioner	1	2-190
34	60250668	Pressure Plate	1	
35	A210204000131	Screw	1	
36	60213359	Drainage Pipe	1	
37	11084197	Pipe, hot pipe, air conditioner	1	
38	13982387	Pipe, hot pipe, air conditioner	1	
39	60166393	Split Flow Gear Pump	4	
40	B240700000472	Intermediate Relay	1	



INDEX	PART NO.	DESCRIPTION	QTY	SEE PAGE
41	141502000382B	Inner Air Filter	1	
42	B240600000334	Sunlight Sensor	1	
43	B240700000473	Intermediate Relay	1	
44	A210111000199	Bolt	5	
45	60149607	The Fixity of Line	3	
46	60018792	Suction rubber tube	1	
47	A239900000053	Nylon Strap	4	



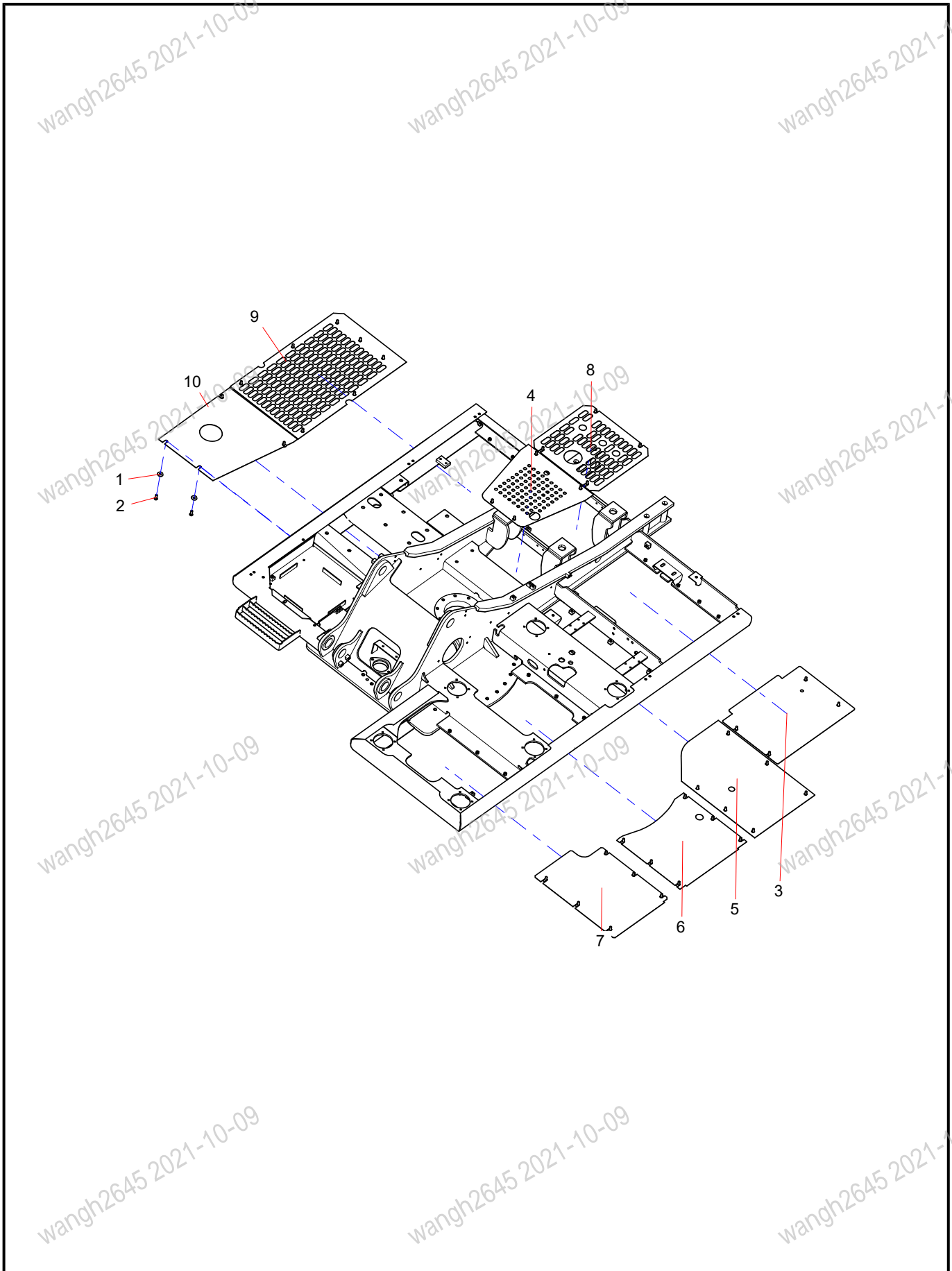
INDEX	PART NO.	DESCRIPTION	QTY	SEE PAGE
1	60049966	Anti-frost Sensor	1	
2	60049951	Fan Blade	1	
3	60153199	Blower Motor	1	
4	60049948	Air Conditioner Wiring Harness	1	
5	60049945	Servo Motor	1	
6	60153240	Inner Air Temperature Sensor	1	
7	60049947	Servo Motor	2	
8	60033039	Coolant Temperature Sensor	1	
9	60153202	Evaporator Assembly	1	
10	60153218	Evaporator Subassembly	1	
11	60153197	Expansion Valve	1	





INDEX	PART NO.	DESCRIPTION	QTY	SEE PAGE
1	13439725	Main Counterweight body	1	
2	A210111000199	Bolt	2	
3	14051432	board	1	
4	24000639	Washer	2	

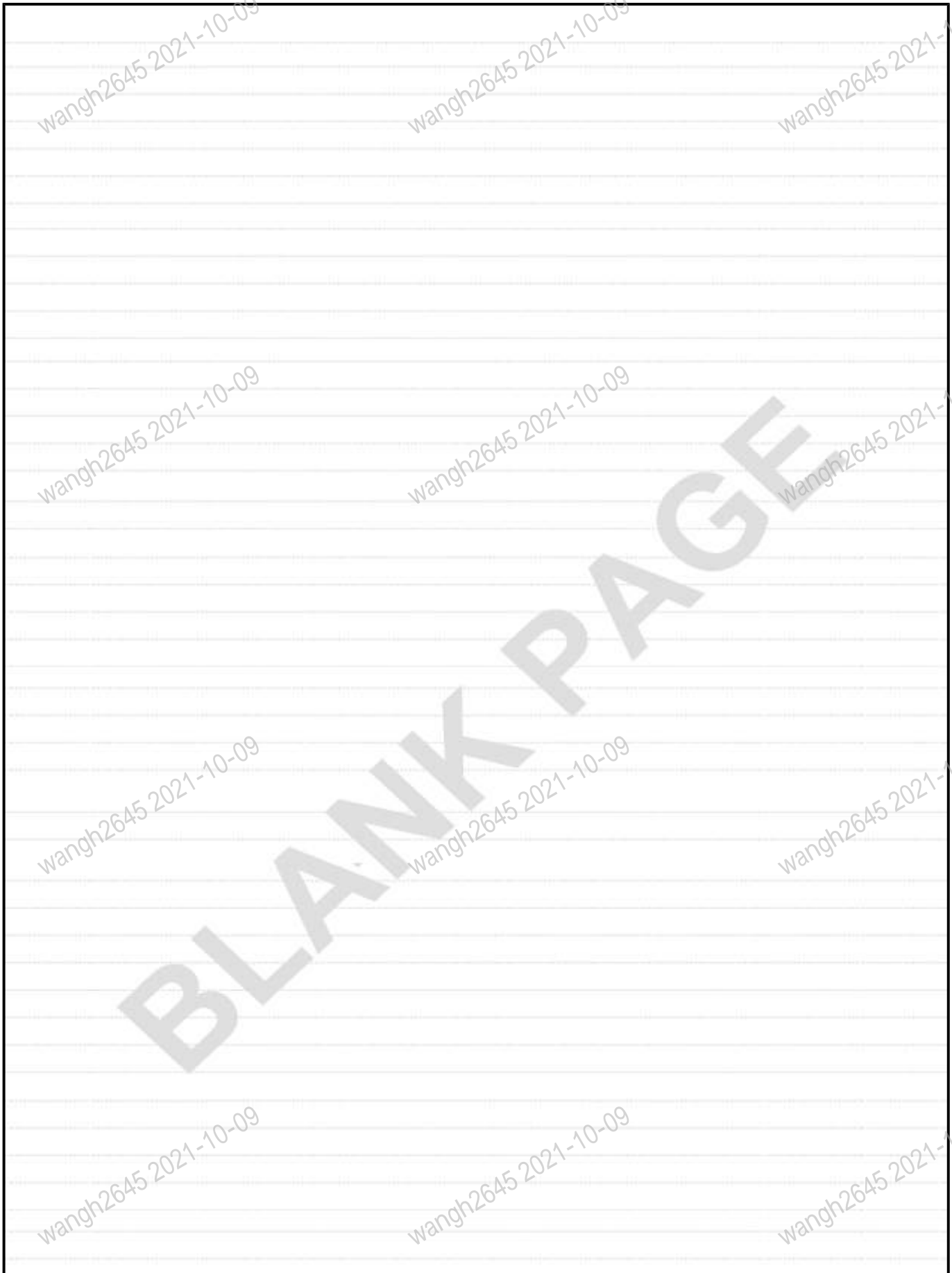
12731217 general assembly of bottom sealing board



2-194 slewing device

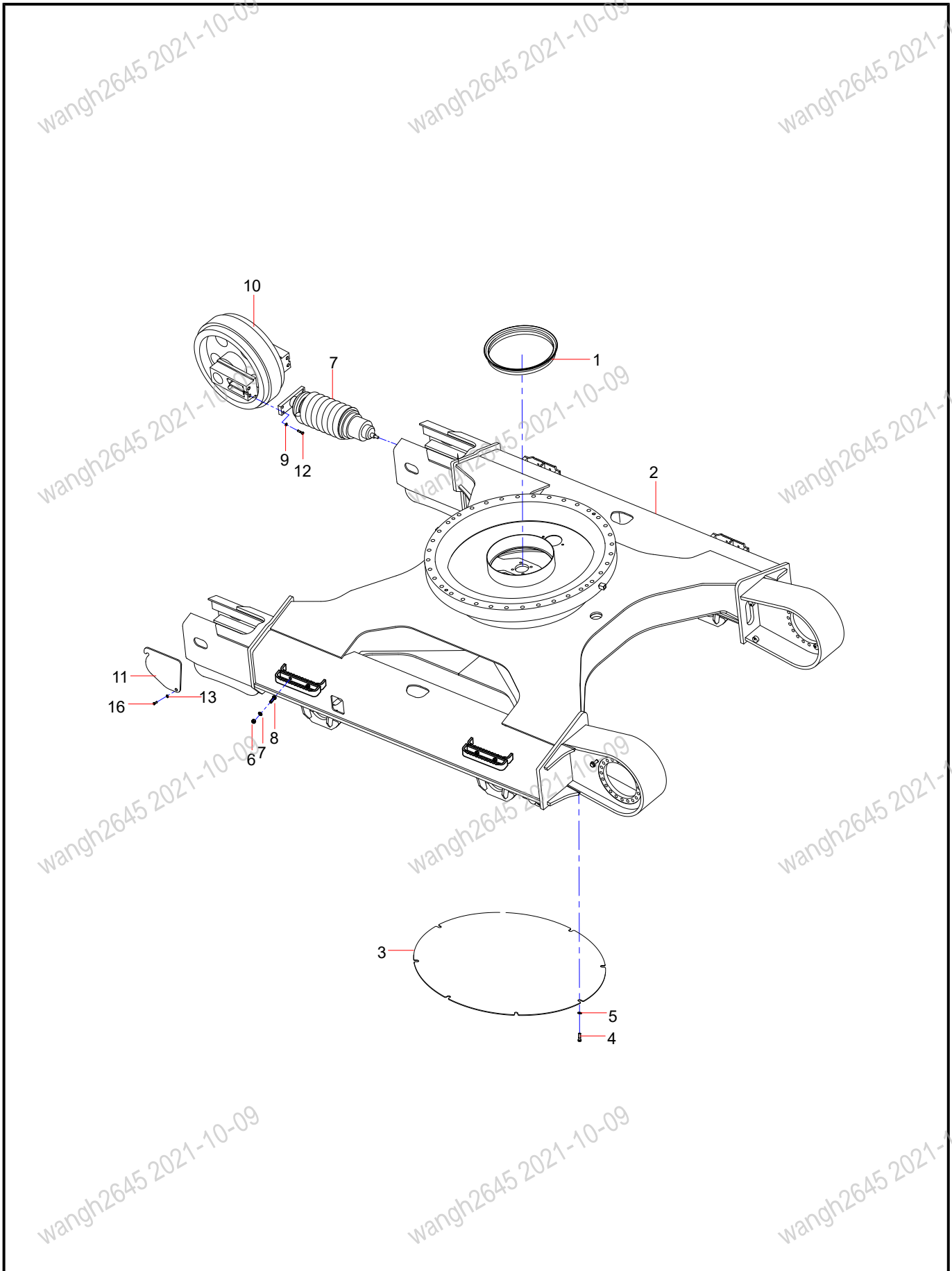
SY135C9I3K(US).0

INDEX	PART NO.	DESCRIPTION	QTY	SEE PAGE
1	60060548	Washer	41	
2	A210111000202	Bolt	41	
3	12731218	Left central sealing board	1	
4	12058454	Middle front sealing board	1	
5	12058458	Rear sealing board of cab	1	
6	12058459	Middle sealing board of cab	1	
7	12058460	Front sealing board of cab	1	
8	12108559	Right Sealing Board	1	
9	12108521	Central rear sealing board cover	1	
10	12058461	Oil tank sealing board	1	

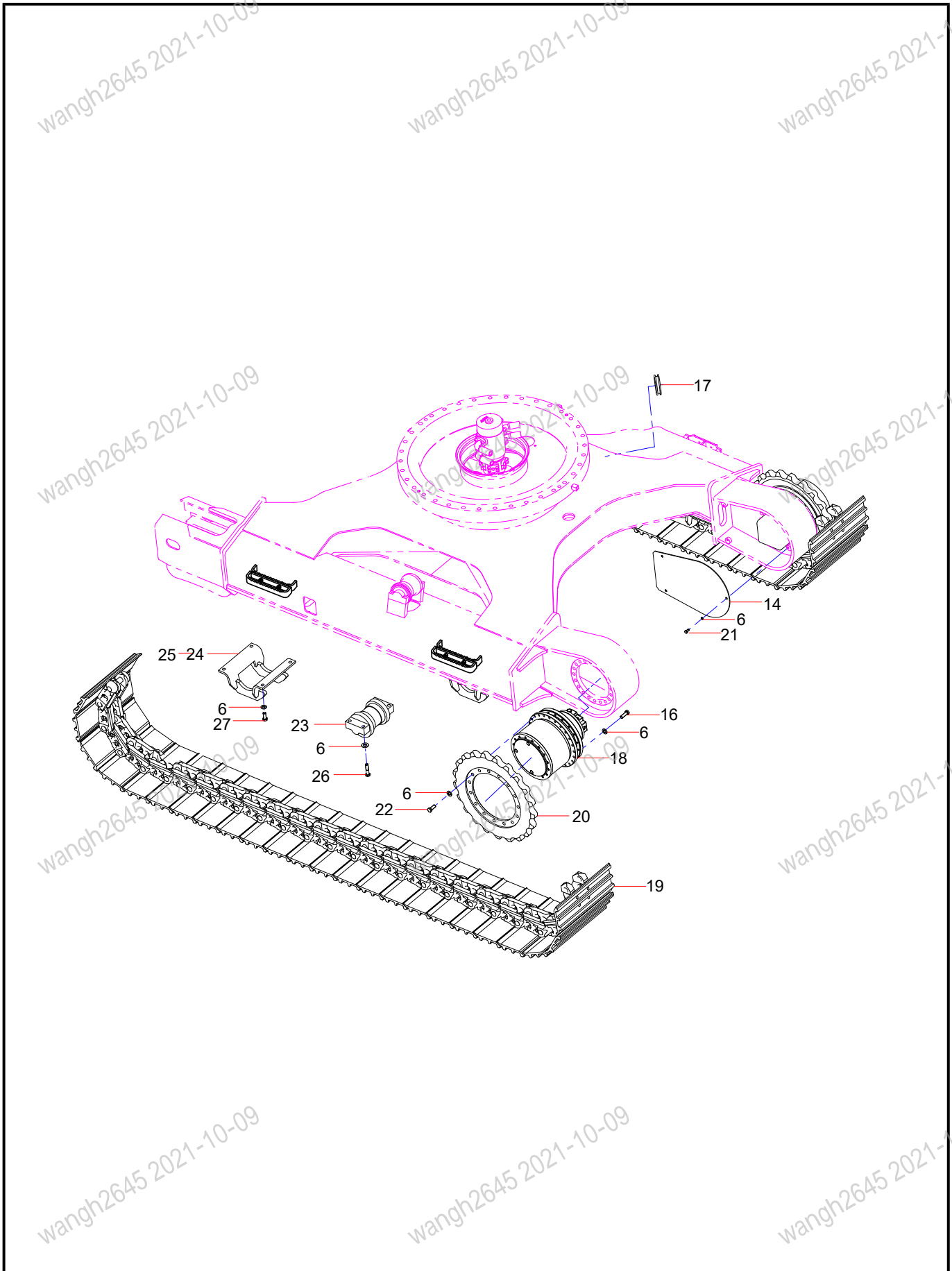


# Group 3

## Travel device

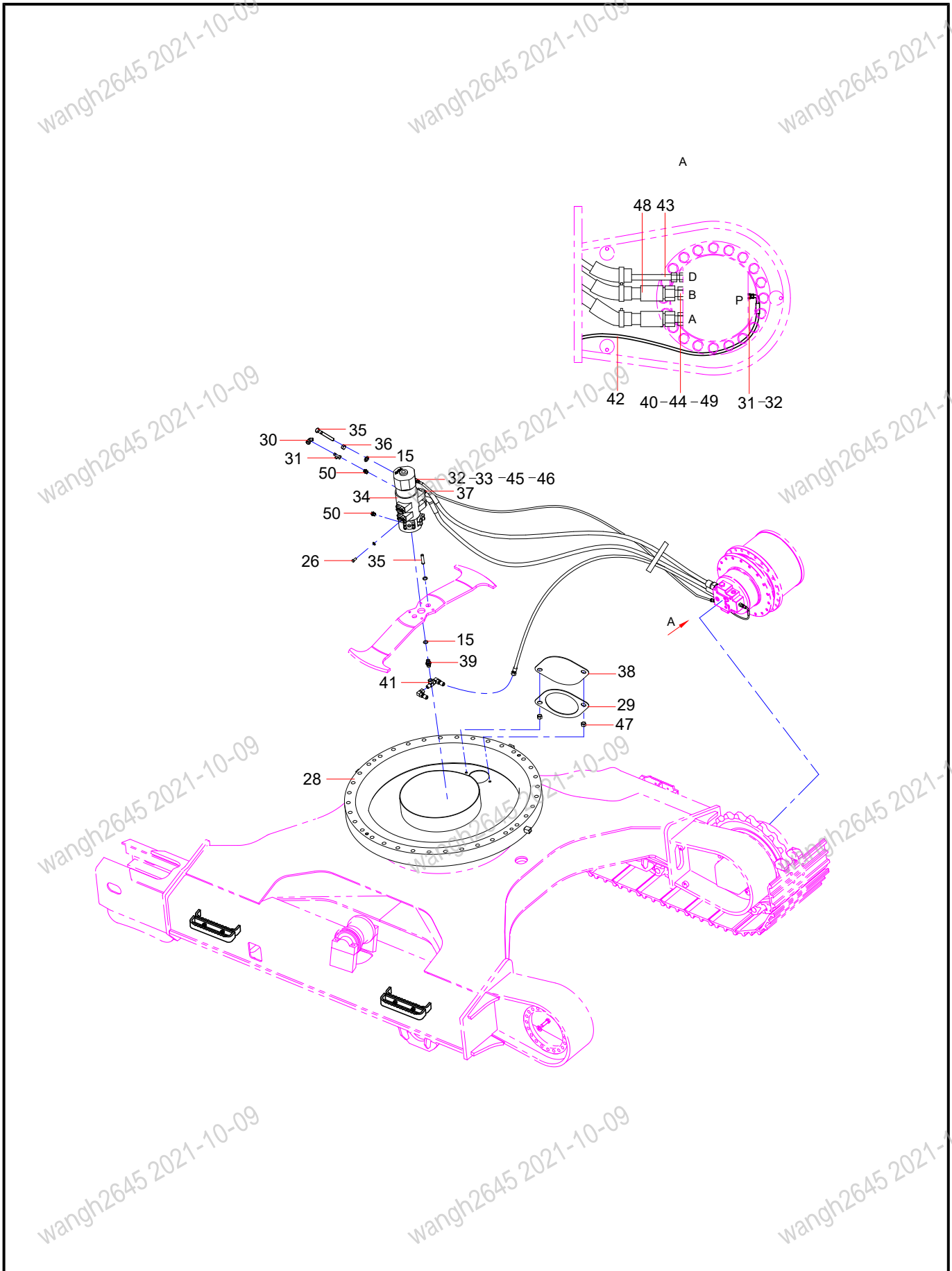


INDEX	PART NO.	DESCRIPTION	QTY	SEE PAGE
1	12696327	Upper seal ring	1	
2	12135992	track frame	1	
3	11655950	cover plate	2	
4	A210111000012	Bolt	20	
5	24000637	Washer	14	
6	A210444000001	Washer	16	
7	131903020002B	Tensioning Equipment	2	3-10
8	21005240	Bolt	8	
9	A210491000118	Washer	126	
10	A229900010405	Leading wheel 203-30-56100H	2	
11	10542624	Cover	2	
12	A210111000342	Bolt	4	
13	A210491000132	Washer	1	
16	A210111000243	Bolt	40	

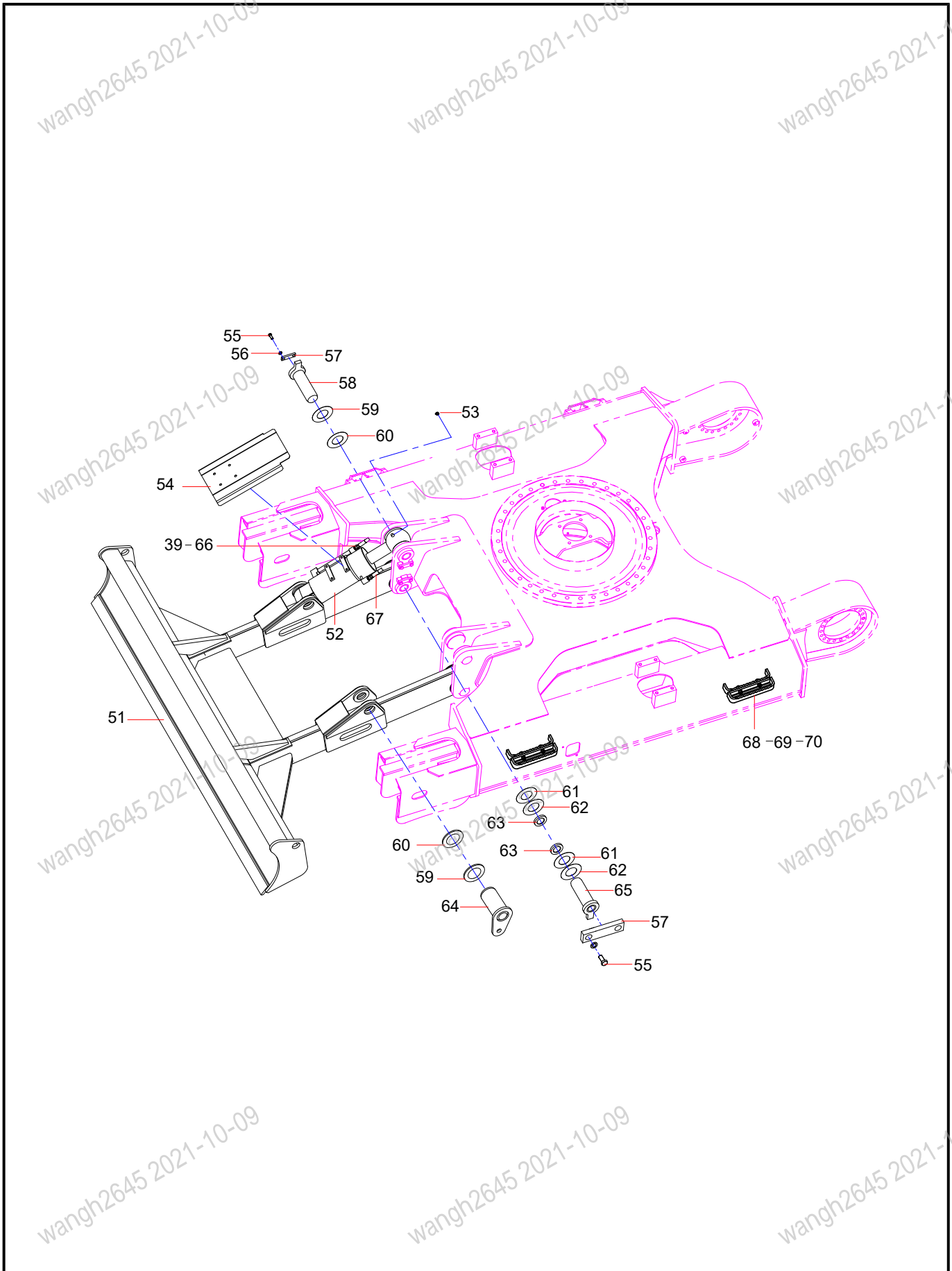




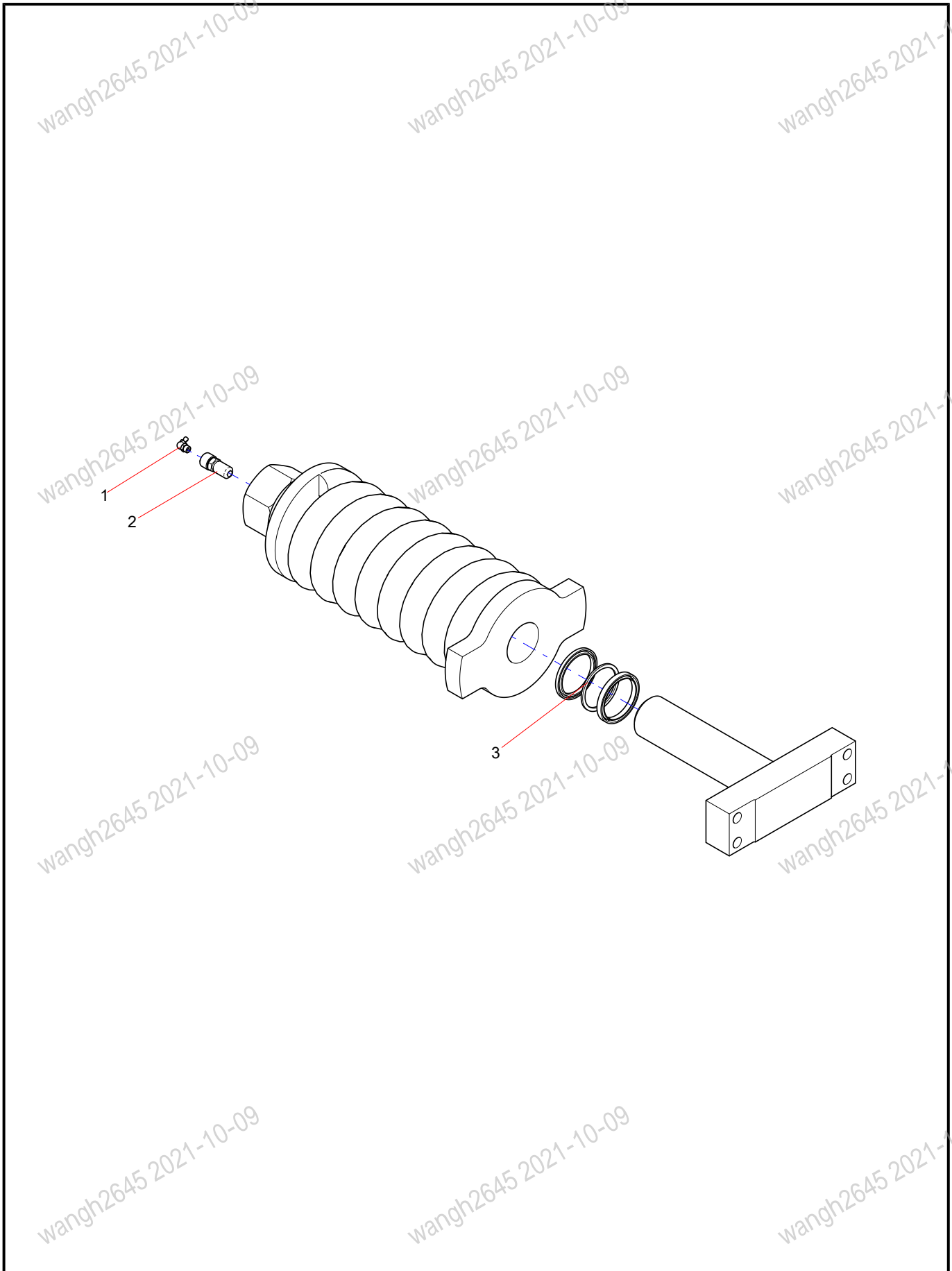
INDEX	PART NO.	DESCRIPTION	QTY	SEE PAGE
6	A210444000001	Washer	16	
14	A820101344863	Side Cover	2	
16	A210111000243	Bolt	40	
17	A820606030918	Protective sleeve	2	
18	60101815	reducer assembly	2	3-12
19	11786631	crawler assembly	2	3-14
20	14449483	driving wheel	2	
21	A210111000106	Bolt	30	
22	A2101110000281	Bolt	64	
23	11632477	Track Roller	16	
24	14099971	Crawler guard board	2	
25	A210111000053	Bolt	16	
26	A210204000354	Screw	16	
27	A210111000263	Bolt	6	



INDEX	PART NO.	DESCRIPTION	QTY	SEE PAGE
15	24000512	Washer	30	
26	A210204000354	Screw	16	
28	A810401990268	Slewing ring AS	1	3-16
29	A820606020170	Rubber Mat	1	
30	B210780000025	Fitting, Elbow	2	
31	B210780000172	Fitting	1	
32	21002815	Fitting	3	
33	B230101000047	O-ring	3	
34	A229900010718	rotary joint	1	
35	A210110000234	Bolt	1	
36	A210307000029	Nut	1	
37	B210780000696	Split Flange	8	
38	A820101210192	Sealing Plate	1	
39	21002822	Fitting	7	
40	B230101000090	O-ring	4	
41	B210780000413	Tee Joint	1	
42	B230103000939	Rubber Hose	2	
43	B230103000282	Rubber Hose	2	
44	A820205002473	Connector	4	
45	B230101000356	O-ring	6	
46	B230103005402	Rubber Hose	4	
47	A210307000036	Nut	2	
48	B210780000017	Three Way Combination Joint	2	
49	21002823	Pipe Connector	2	
50	21002825	Pipe Connector	2	

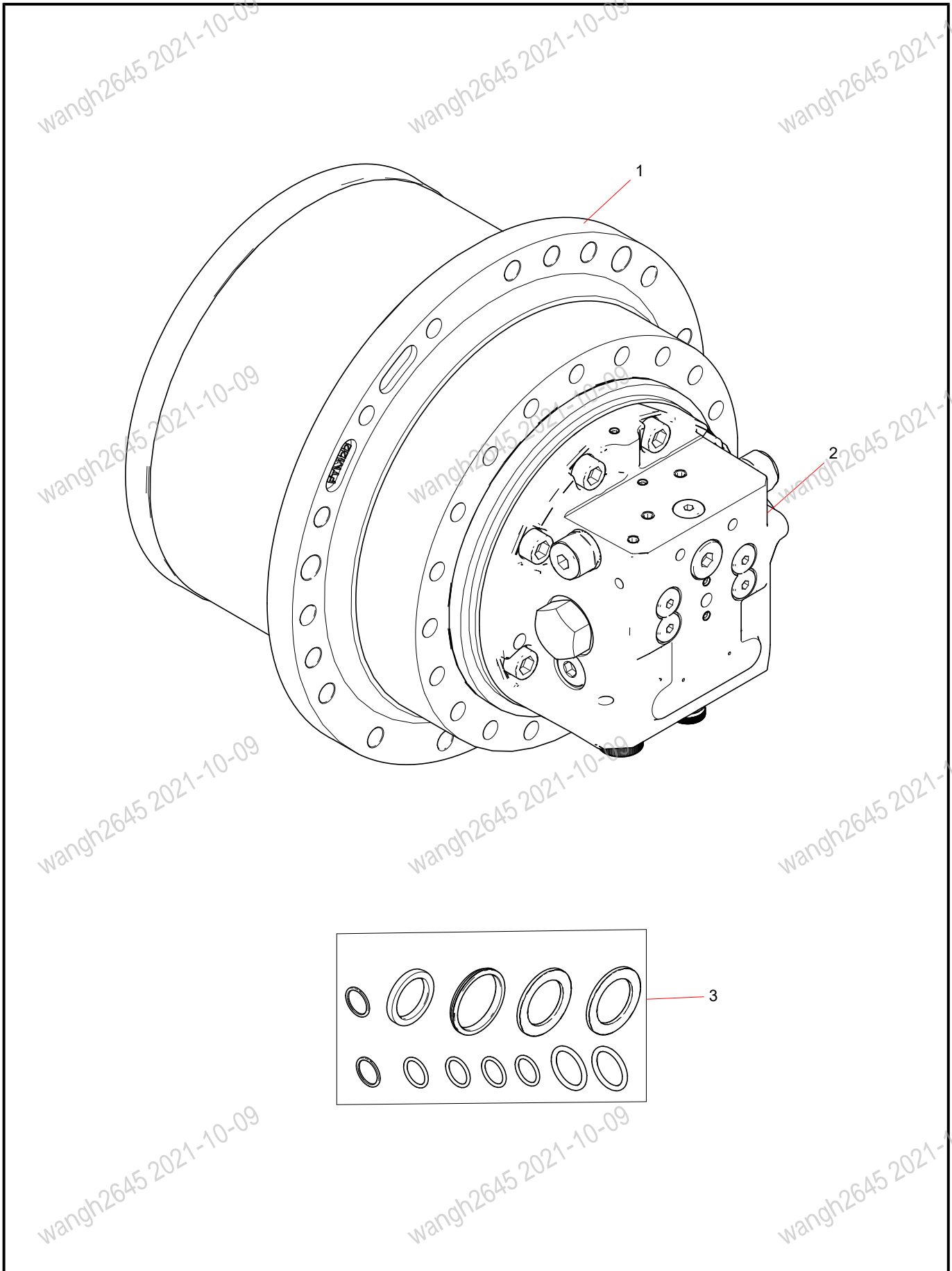


INDEX	PART NO.	DESCRIPTION	QTY	SEE PAGE
39	21002822	Fitting	7	
51	SSY004649103	Bulldozing shovel	1	
52	11281501	Bulldozing shovel oil cylinder	2	3-20
53	B229900000686	Grease Joint	2	
54	12061490	Oil cylinder guard board	2	
55	A210111000202	Bolt	8	
56	24000513	Washer	4	
57	A810312019061	Rigid Board	4	
58	A810312110108	Pin	2	
59	10167595	Gasket	4	
60	10167594	Shim	4	
61	10167592	Spacer	4	
62	A820102010793	Shim	4	
63	B230101001126	oil seal	4	
64	10811518	Lock pin	2	
65	11093821	Pin shaft	2	
66	60061366	Rubber Hose	2	
67	60061365	Rubber Hose	2	
68	A210307000002	Nut	8	
69	A210111000209	Bolt	8	
70	SSY005171536	pedal	4	



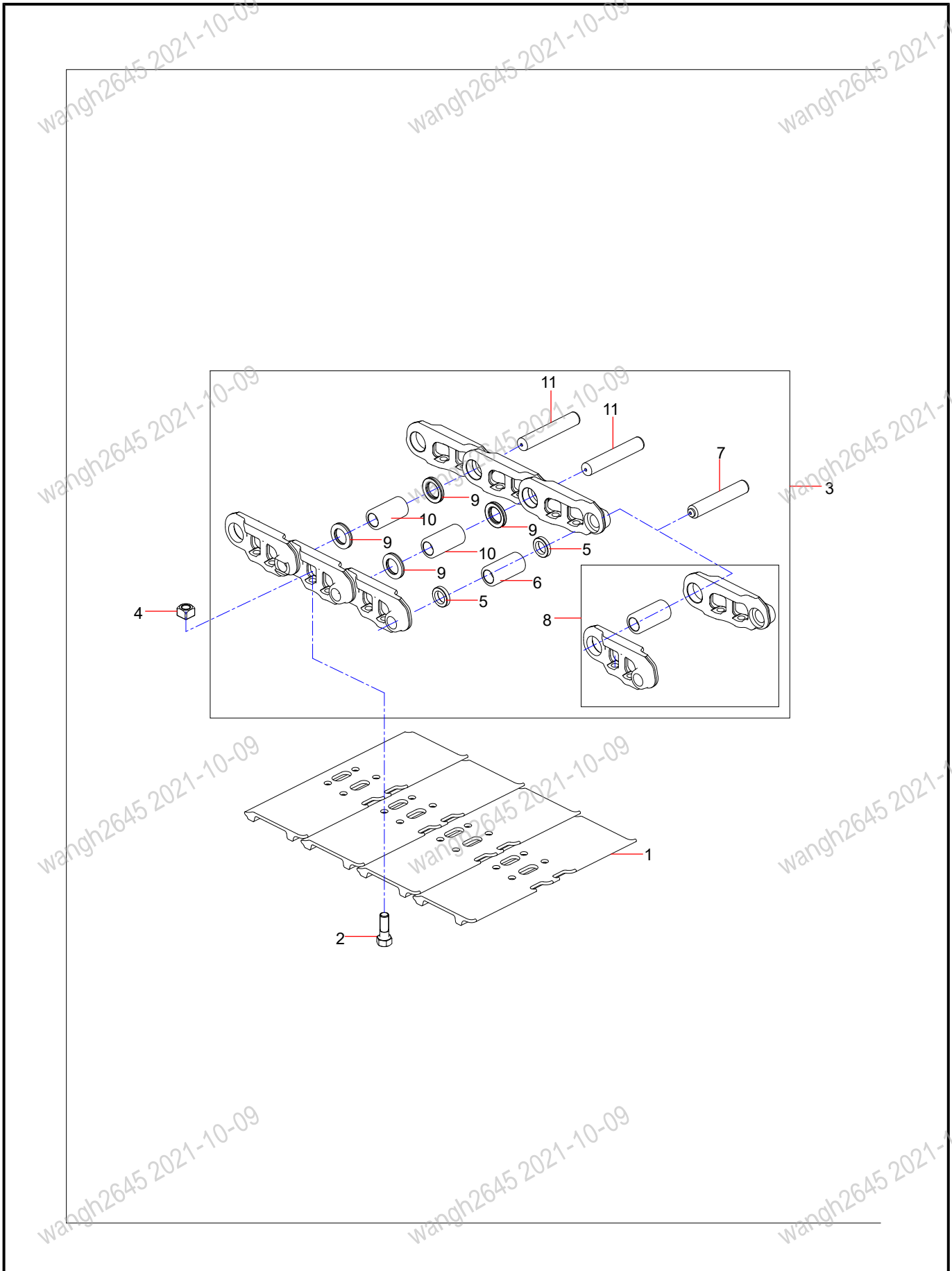
INDEX	PART NO.	DESCRIPTION	QTY	SEE PAGE
1	60091161	In-cylinder sealing component of tension	1	
2	60091160	In-cylinder sealing component of Grease	1	
3	60337293	grease fitting	1	

60101815 reducer assembly

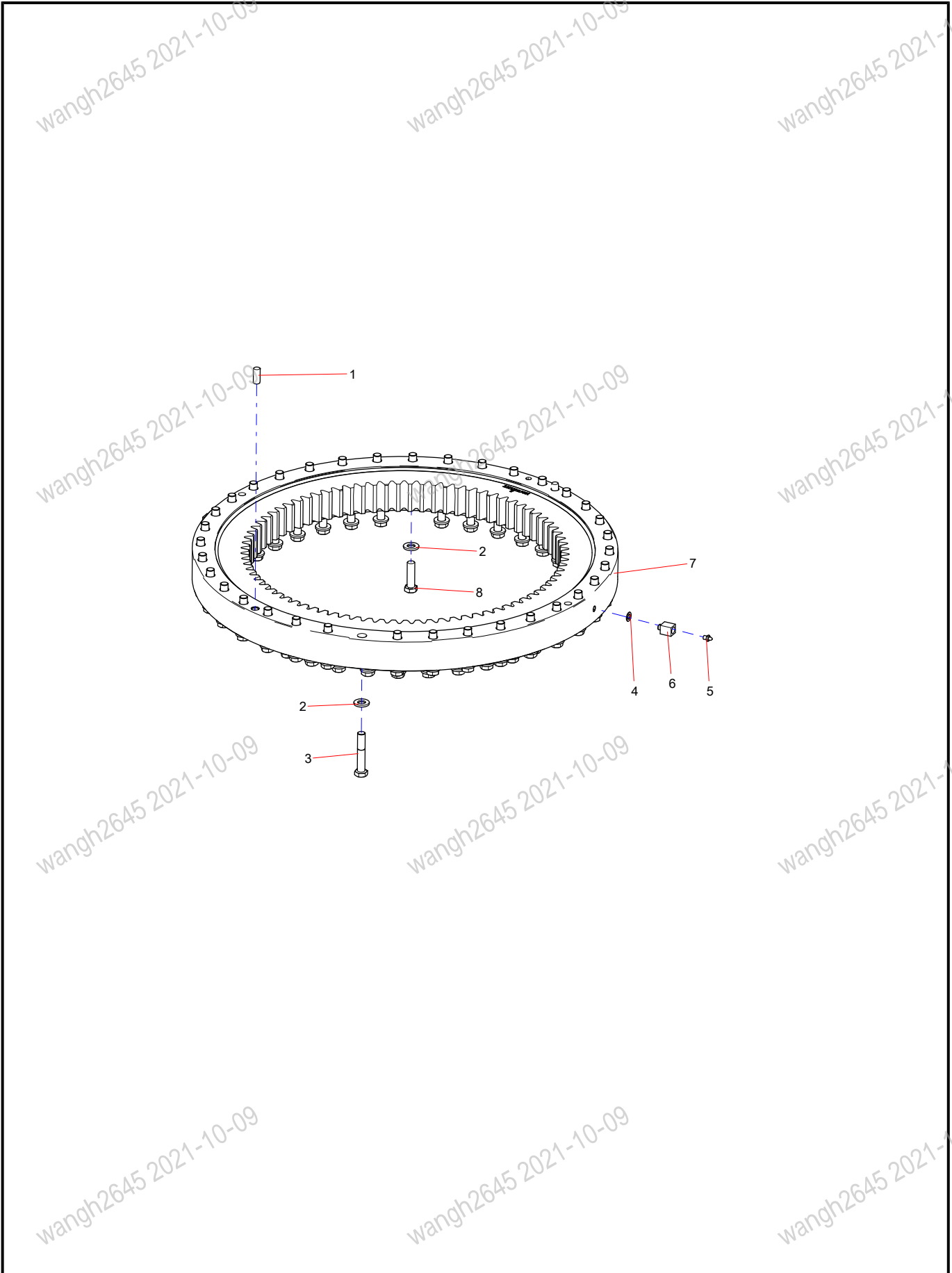




INDEX	PART NO.	DESCRIPTION	QTY	SEE PAGE
1	60306389	Reduction gear assembly	1	
2	60306314	Motor assy	1	
3	130101010140B001	Reducer assembly Repair kit	1	

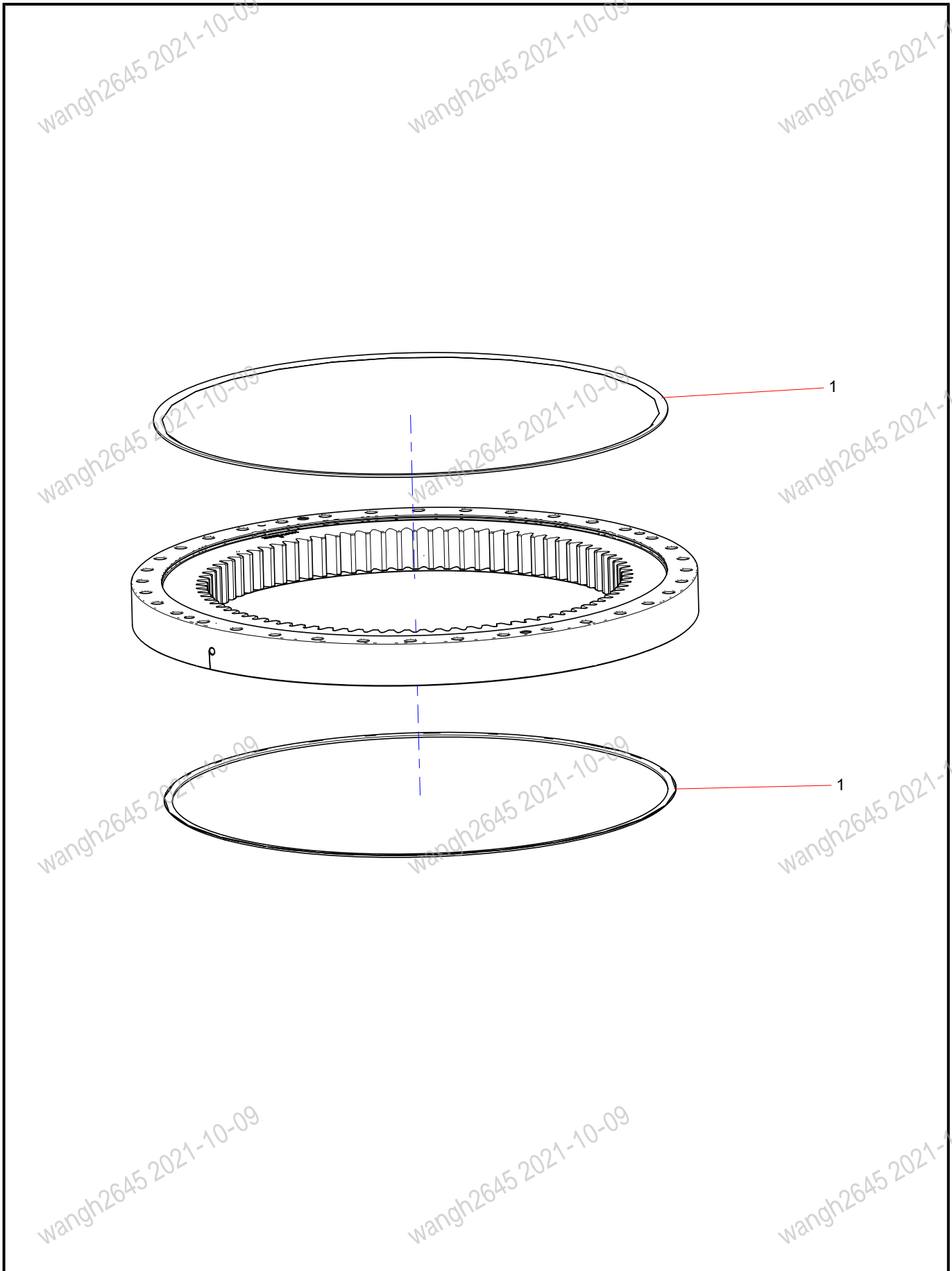


INDEX	PART NO.	DESCRIPTION	QTY	SEE PAGE
1	14018247	track shoe	44	
2	60088075	Track Bolt LS175M16C	176	
3	10786241	track chain	1	
4	60110070	Track nut LM175M16B	176	
5	60339103	main spacer	2	
6	13156331	Master Bush	1	
7	11717575	pin	1	
8	12371665	Track Unit	44	
9	60173180	Seal Ring	86	
10	12917163	Track Bush	43	
11	11176807	Pin	43	

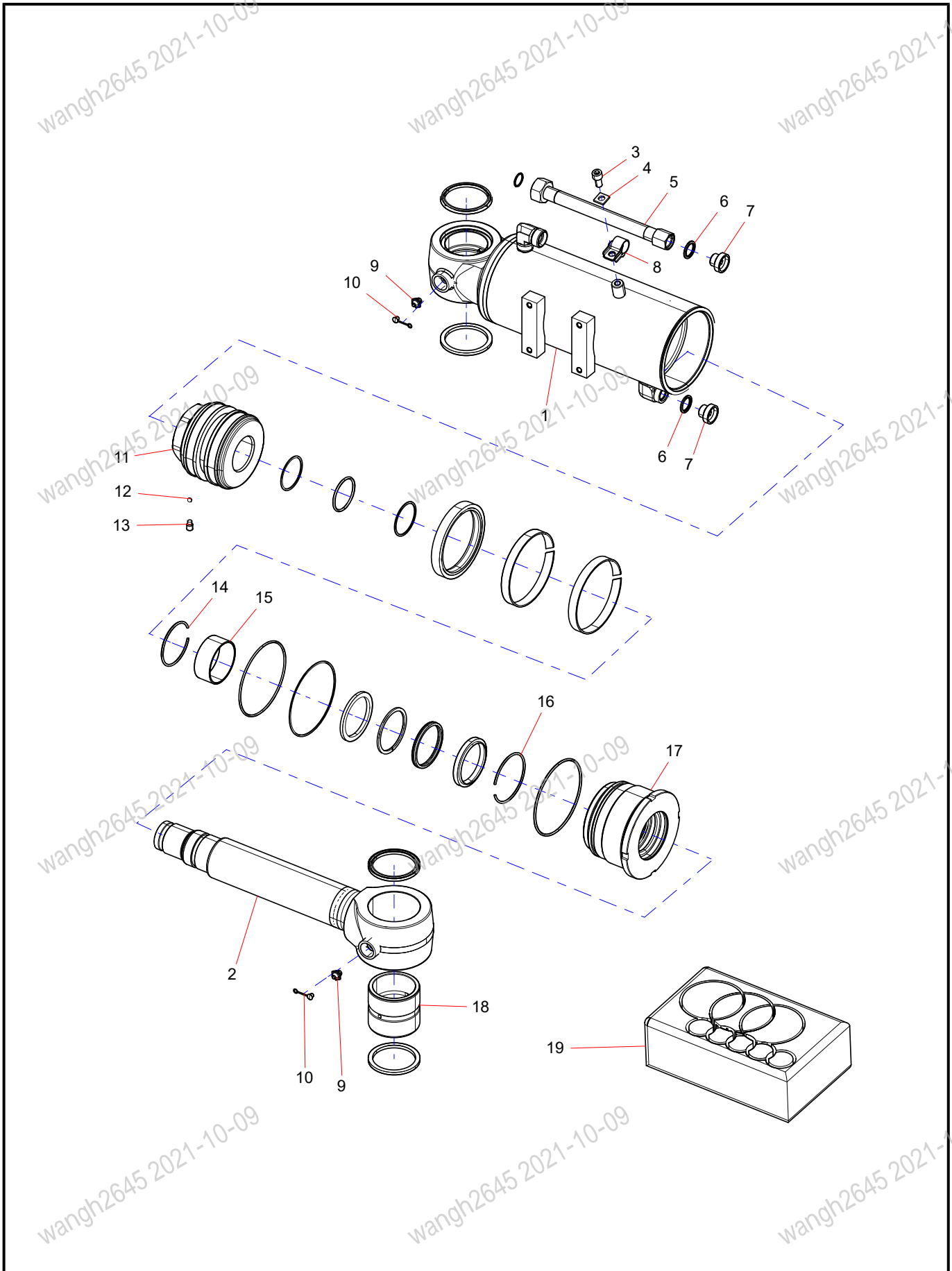


INDEX	PART NO.	DESCRIPTION	QTY	SEE PAGE
1	A820301012418	Pin	2	
2	A210491000132	Washer	72	
3	A210110000233	Bolt	36	
4	A820102010428	Seal Gasket	2	
5	B229900000686	Grease Joint	2	
6	A820205000955	Square Connector	2	
7	10835684	Slewing ring	1	3-18
8	A210111000063	Bolt	36	

10835684 Slewing ring

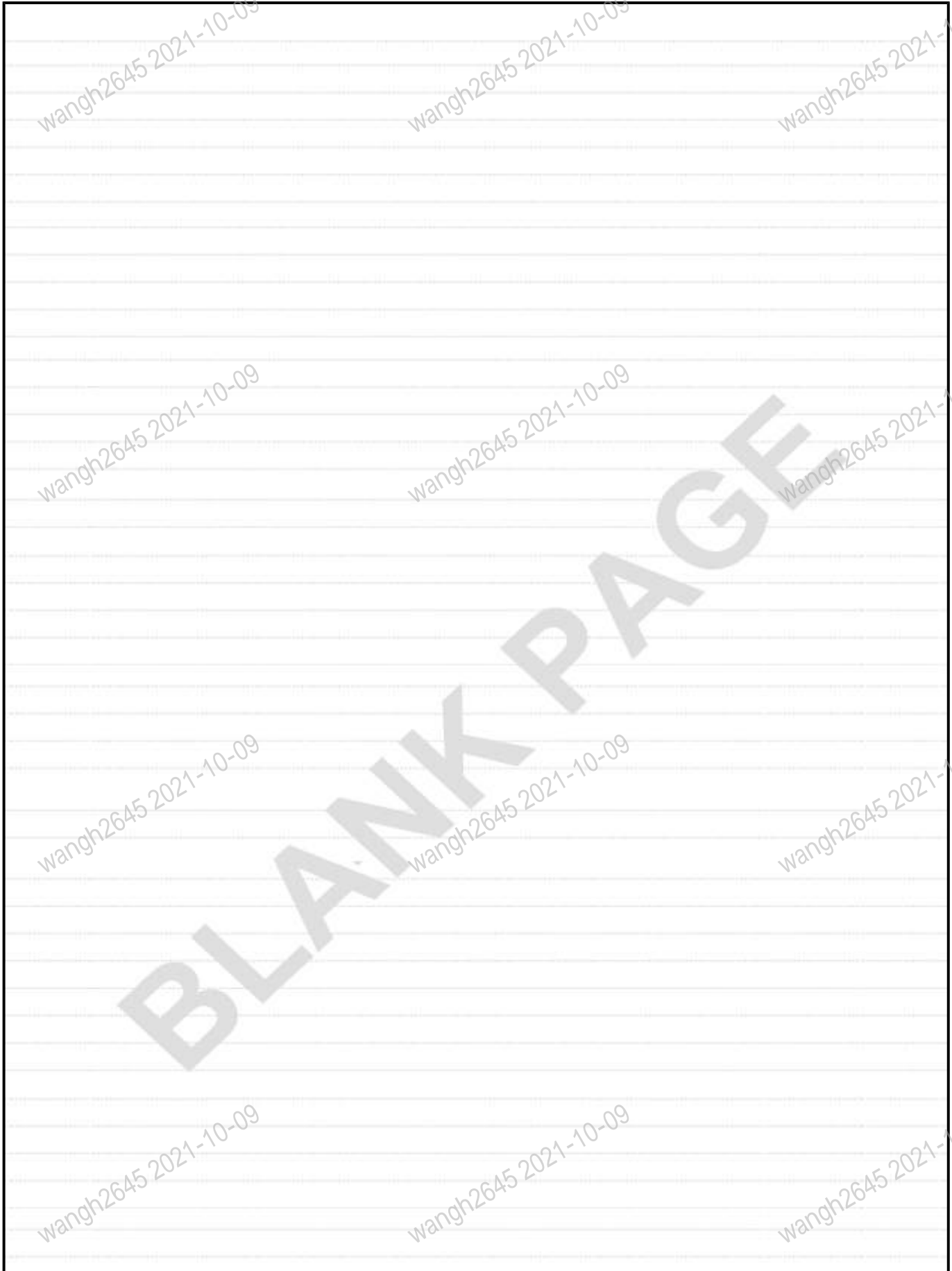


INDEX	PART NO.	DESCRIPTION	QTY	SEE PAGE
1	60199495	Sealing Strip	2	



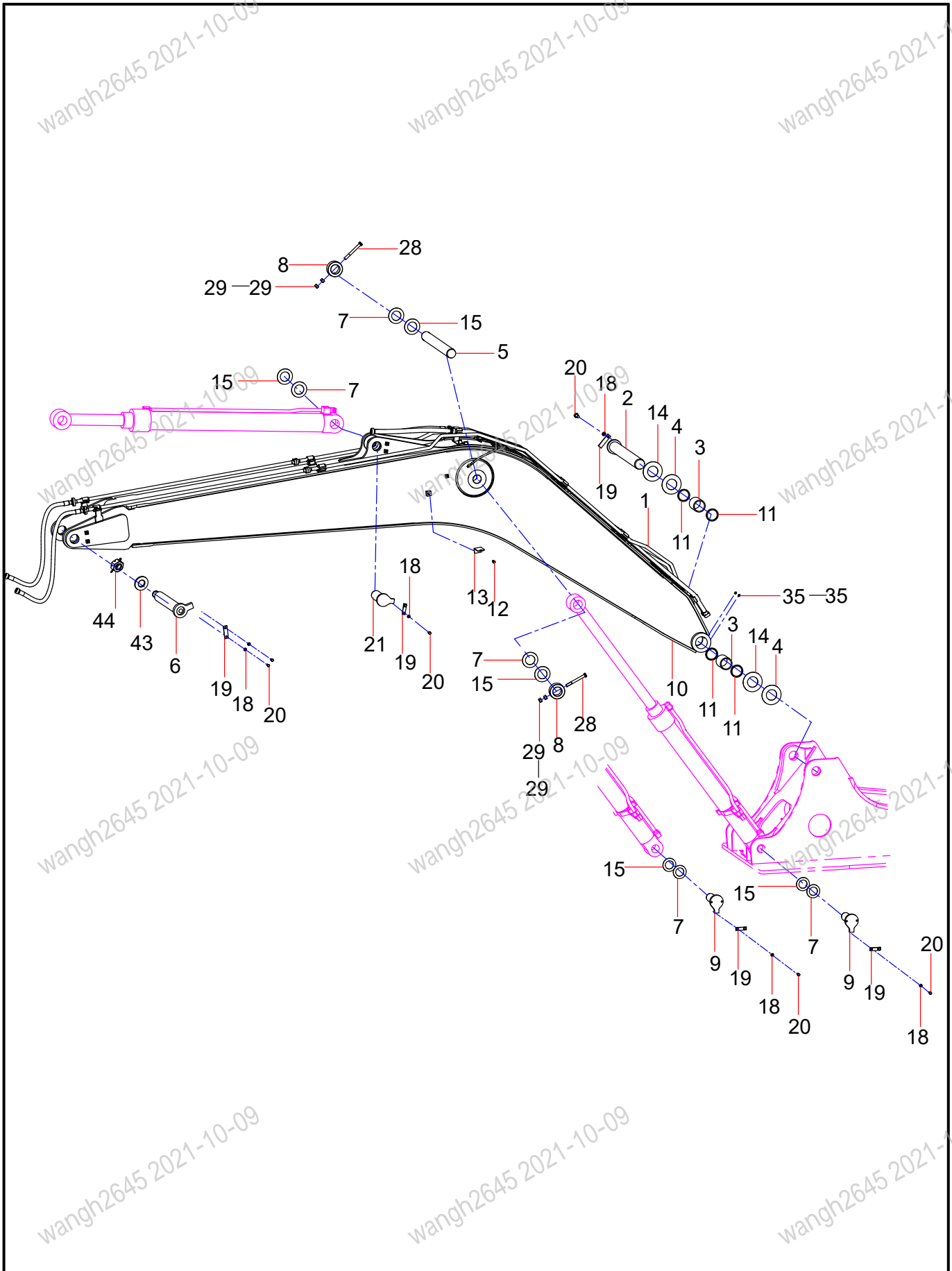


INDEX	PART NO.	DESCRIPTION	QTY	SEE PAGE
1	12831132	Cylinder Assem.	1	
2	11270434	piston rod	1	
3	A210204000196	Screw	1	
4	13039393	Washer	1	
5	11270571	Cylinder Drum Component	1	
6	A210434000011	Washer	2	
7	13203130	Screw plug G1/2	2	
8	11647963	Pipe clamp	1	
9	A229900010158	Oil Cup	2	
10	A290000002660	Nozzle Universal Protective Cap	2	
11	13279347	Piston	1	
12	A880899030000	Steel Ball	1	
13	A210208000008	Screw	1	
14	A210417000075	Retainer Ring	1	
15	120504000015A	Self-Lubricating Bearing	1	
16	A210417000103	Retainer Ring	1	
17	SYG005221657	Guide Sleeve	1	
18	14552721	shaft sleeve	1	
19	11285315	W74A Process Package for sealing parts	1	

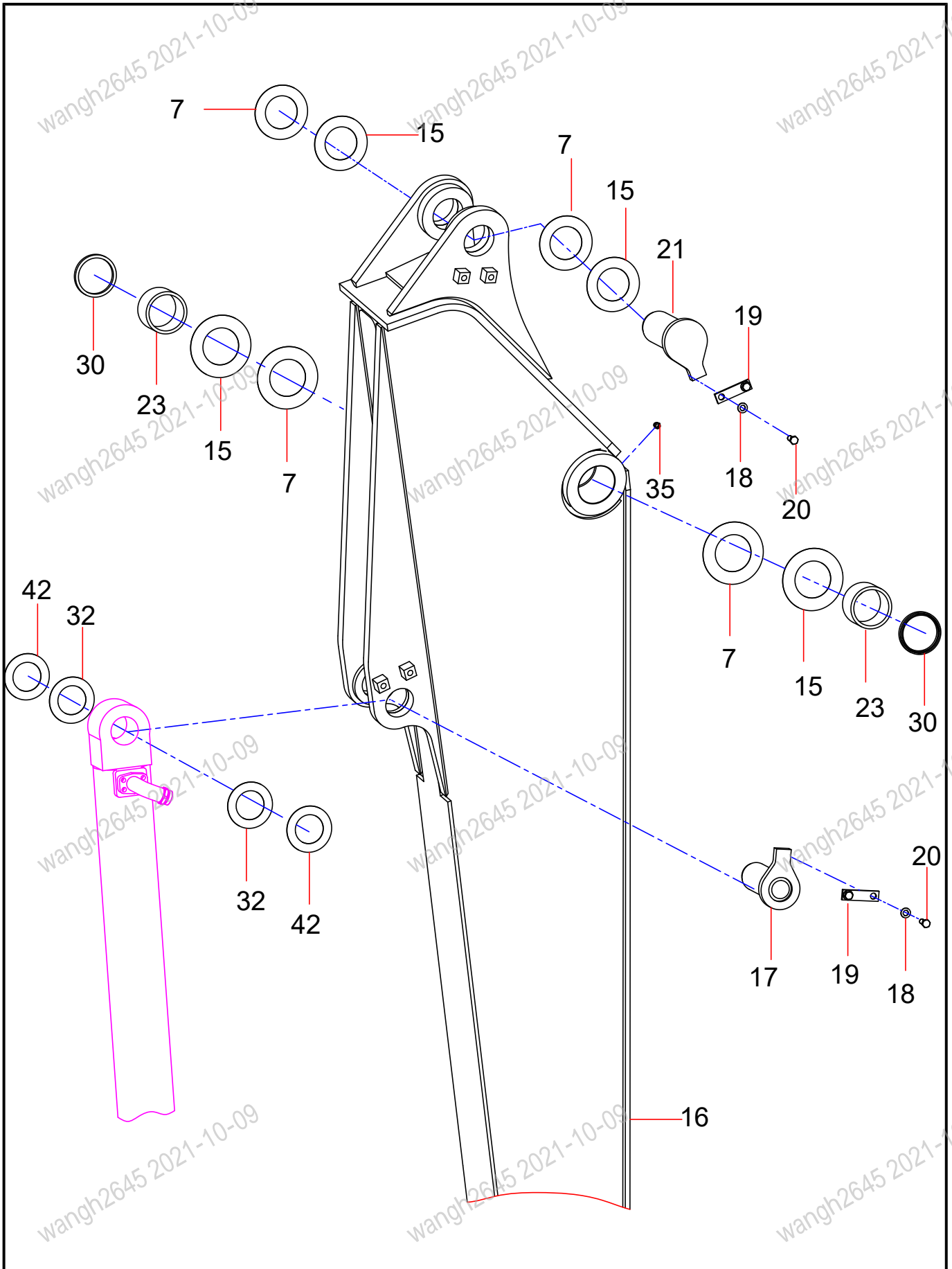


# Group 4

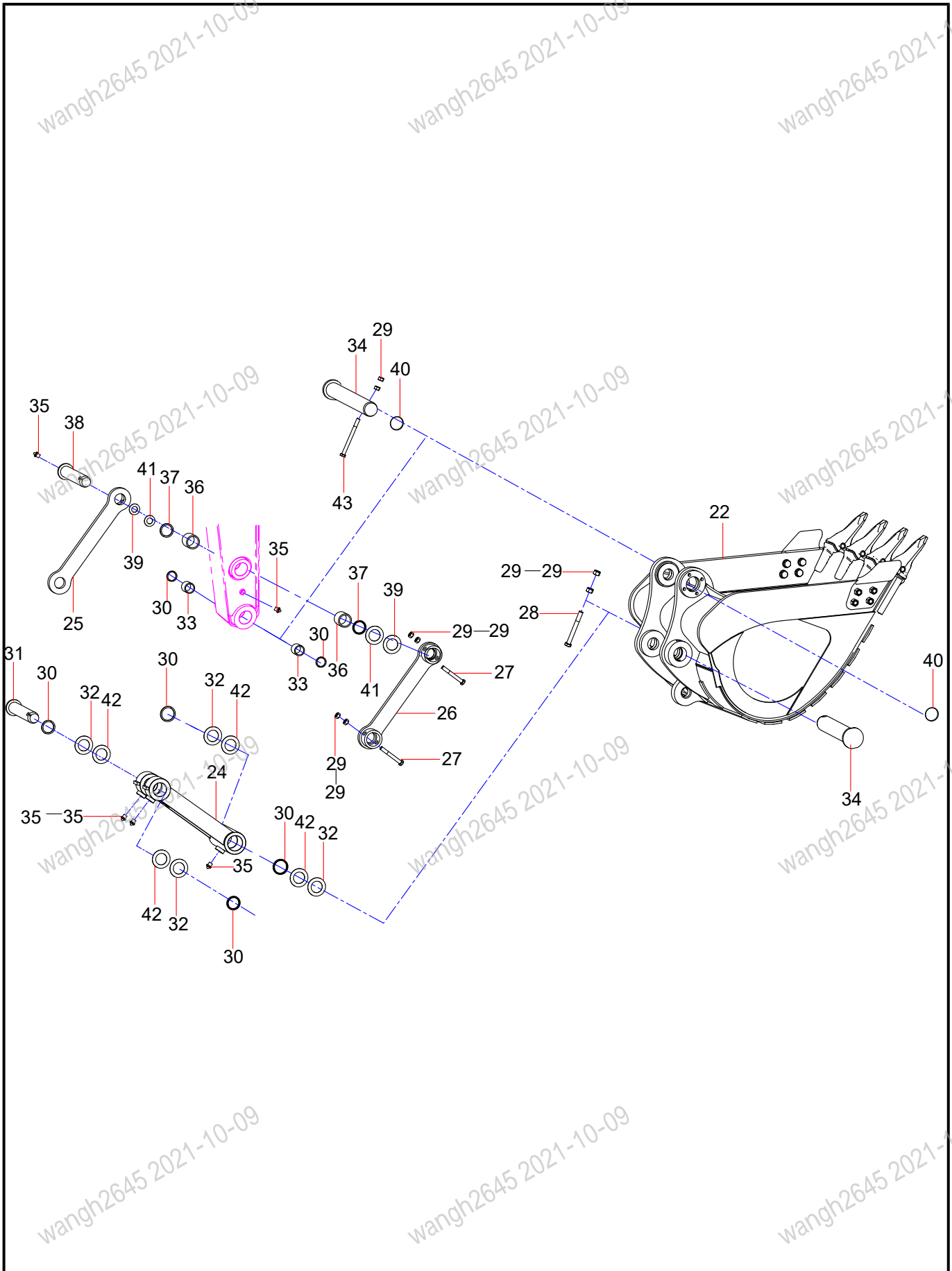
## Work device



INDEX	PART NO.	DESCRIPTION	QTY	SEE PAGE
1	13837626	Work Device Tube	1	4-8
2	12329009	Lock pin	1	
3	12832208	Shaft Sleeve	2	
4	A820102010793	Shim	2	
5	A820202005382	Pin	1	
6	SSY004756970	pin	1	
7	10167595	Gasket	14	
8	A810312019067	Sleeve, fixing	2	
9	A810312110116	Lock pin	2	
10	SSY004987485	BOOM	1	
11	B230101001126	oil seal	4	
12	A210111000263	Bolt	1	
13	A820101322531	Lamp Bracket	1	
14	10167592	Spacer	2	
15	10167594	Shim	14	
18	24000513	Washer	14	
19	A810312019061	Rigid Board	7	
20	A210111000202	Bolt	14	
21	A810312110108	Pin	2	
28	A210110000352	Bolt	2	
29	A210307000029	Nut	12	
35	B229900000686	Grease Joint	6	
43	SSY004757012	plate	1	
44	SSY004835007	fasten component	1	4-24

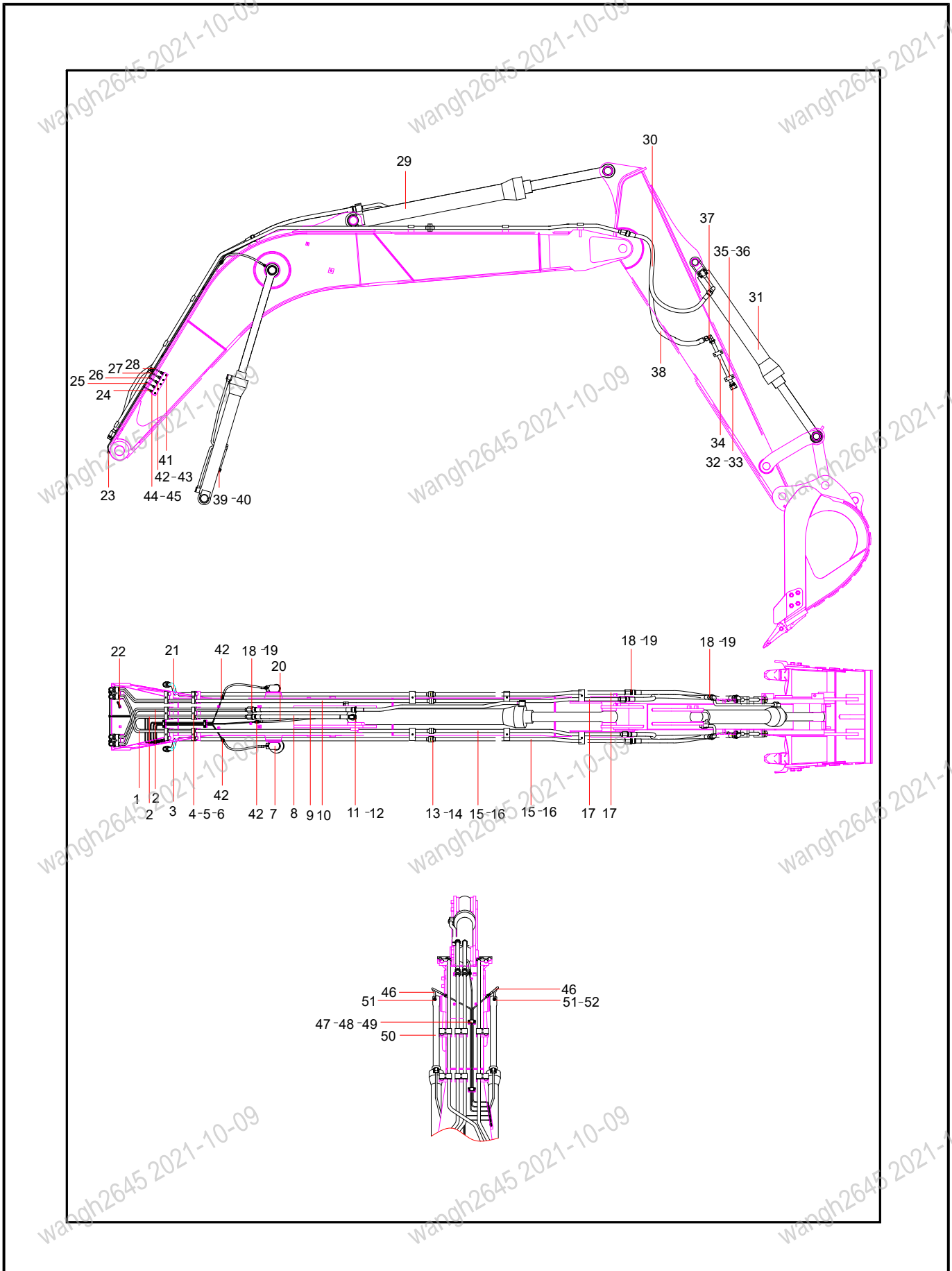


INDEX	PART NO.	DESCRIPTION	QTY	SEE PAGE
7	10167595	Gasket	14	
15	10167594	Shim	14	
16	13443821	Arm	1	
17	A810312110107	Pin	1	
18	24000513	Washer	14	
19	A810312019061	Rigid Board	7	
20	A210111000202	Bolt	14	
21	A810312110108	Pin	2	
23	12933250	Shaft Sleeve	2	
30	B230101001124	Dust Ring	6	
32	A810312990208	Shim	10	
35	B229900000686	Grease Joint	6	
42	A810312990209	Shim	10	

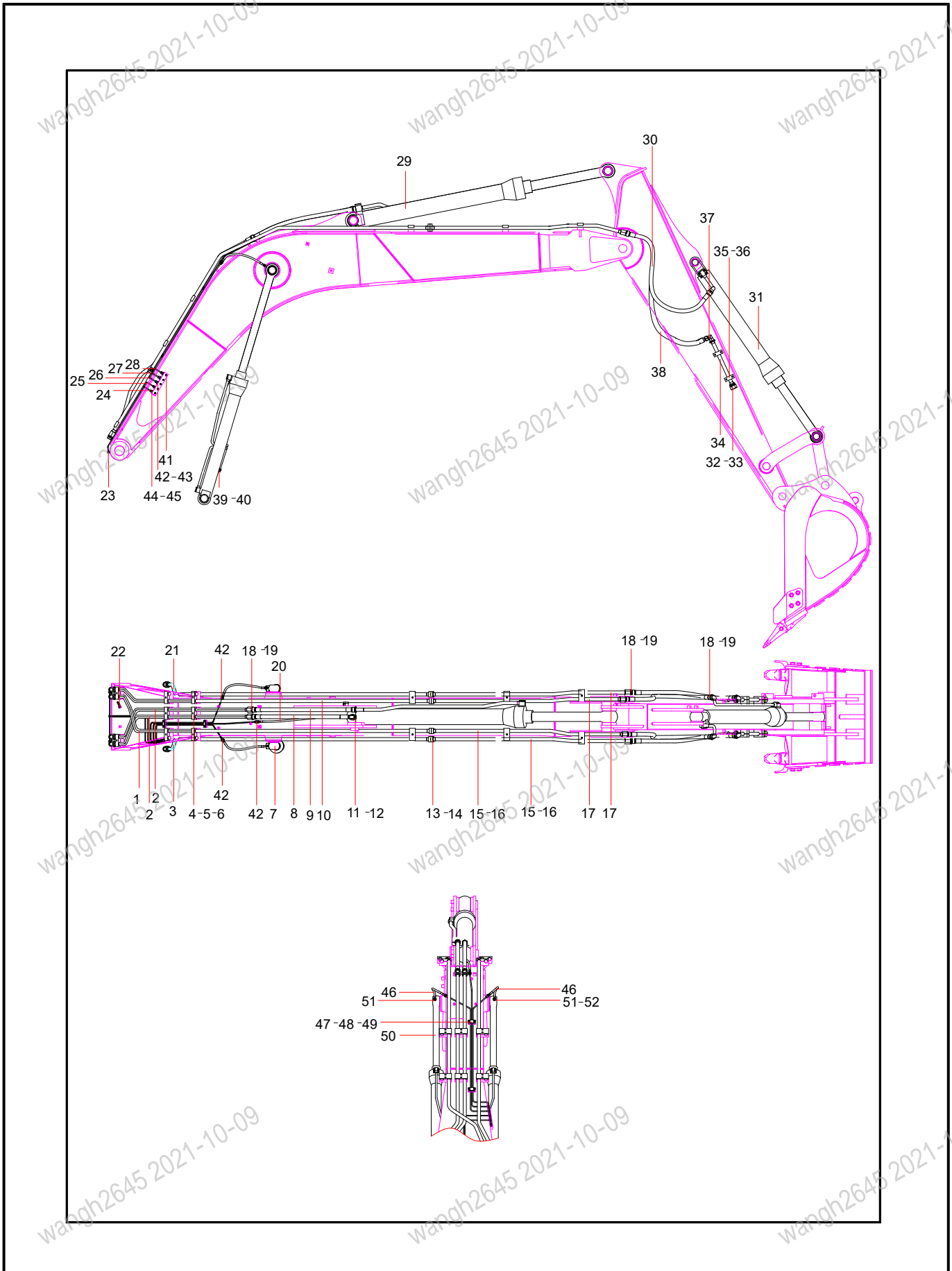




INDEX	PART NO.	DESCRIPTION	QTY	SEE PAGE
22	14311361	bucket assembly	1	4-20
24	SSY004726160	Connecting Rod	1	4-22
25	11821941	Left jiggle bar	1	
26	11821876	Right jiggle bar	1	
27	A210110000234	Bolt	4	
28	A210110000352	Bolt	2	
29	A210307000029	Nut	12	
30	B230101001124	Dust Ring	6	
31	A810312110110	Pin	1	
32	A810312990208	Shim	10	
33	14228406	Shaft Sleeve	2	
34	A810312110111	Pin	2	
35	B229900000686	Grease Joint	6	
36	14220476	Shaft Sleeve	2	
37	B230101001123	Dust Ring	4	
38	A810312110112	Pin	1	
39	A810312019062	Shim	2	
40	A210609000352	O-ring	4	
41	10167597	Spacer	2	
42	A810312990209	Shim	10	
43	SSY004757012	plate	1	

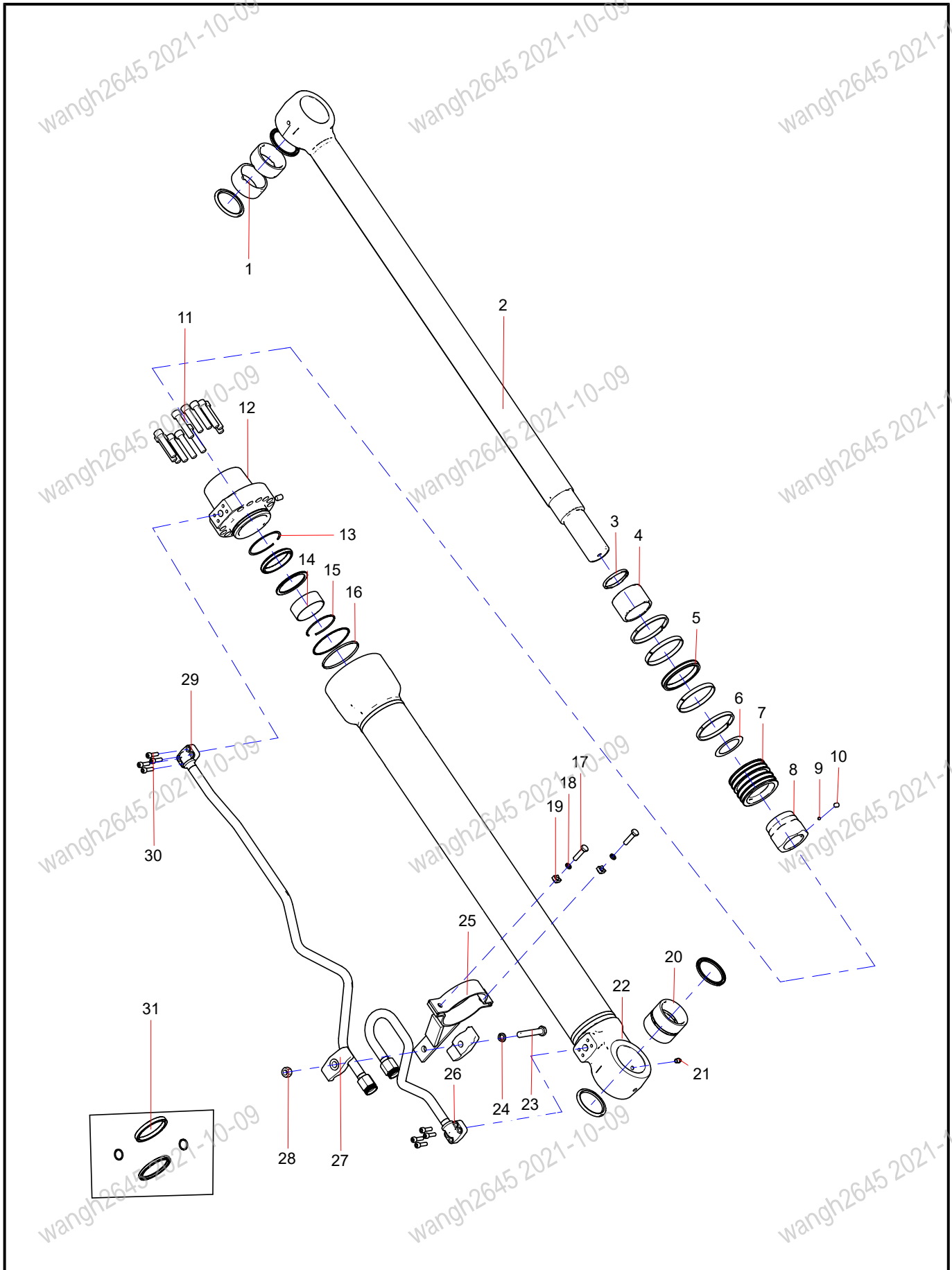


INDEX	PART NO.	DESCRIPTION	QTY	SEE PAGE
1	13585391	steel pipe assembly of bucket cylinder	1	
2	13585262	steel pipe assembly of arm cylinder	2	
3	13834956	Steel pipe	1	
4	13624410	clamp	14	
5	A210491000121	Washer	14	
6	A210111000103	Bolt	14	
7	60024871	Right Boom Cylinder	1	4-12
8	60259939	rubber hose	1	
9	60043082	Rubber Hose	1	
10	13585415	steel pipe of bucket cylinder	1	
11	B210780000696	Split Flange	2	
12	A210204000354	Screw	4	
13	24000512	Washer	16	
14	A210204000215	Screw	16	
15	A210609000136	O-ring	4	
16	12043189	steel pipe assembly	2	
17	12042264	steel pipe assembly	2	
18	A820205002473	Connector	15	
19	B230101000356	O-ring	11	
20	B230103000995	Hose	1	
21	13835018	Steel pipe	1	
22	60086353	Wire Clamp	4	
23	A210715000008	Pipe Connector	2	
24	12043208	grease tube	1	
25	12043218	grease tube	1	
26	12043362	grease tube	1	
27	12043226	grease tube	1	
28	12043349	grease tube	1	
29	60024873	Arm Cylinder	1	
30	B230103003807	Rubber hose 4SH20-DKOS-1500 (with 1.2m s	2	
31	60024870	Bucket Oil Cylinder	1	4-14
32	B210780000904	Nut	2	
33	B210780000902	Screw Plug	2	
34	13437942	Steel pipe assembly	2	
35	A210204000355	Screw	8	
36	A820101344842	Clamp, pipe	4	
37	B210780000029	Fitting, Elbow	2	
38	B230103005598	Rubber Hose	2	
39	B230101000090	O-ring	4	
40	A820205002472	Connector	4	

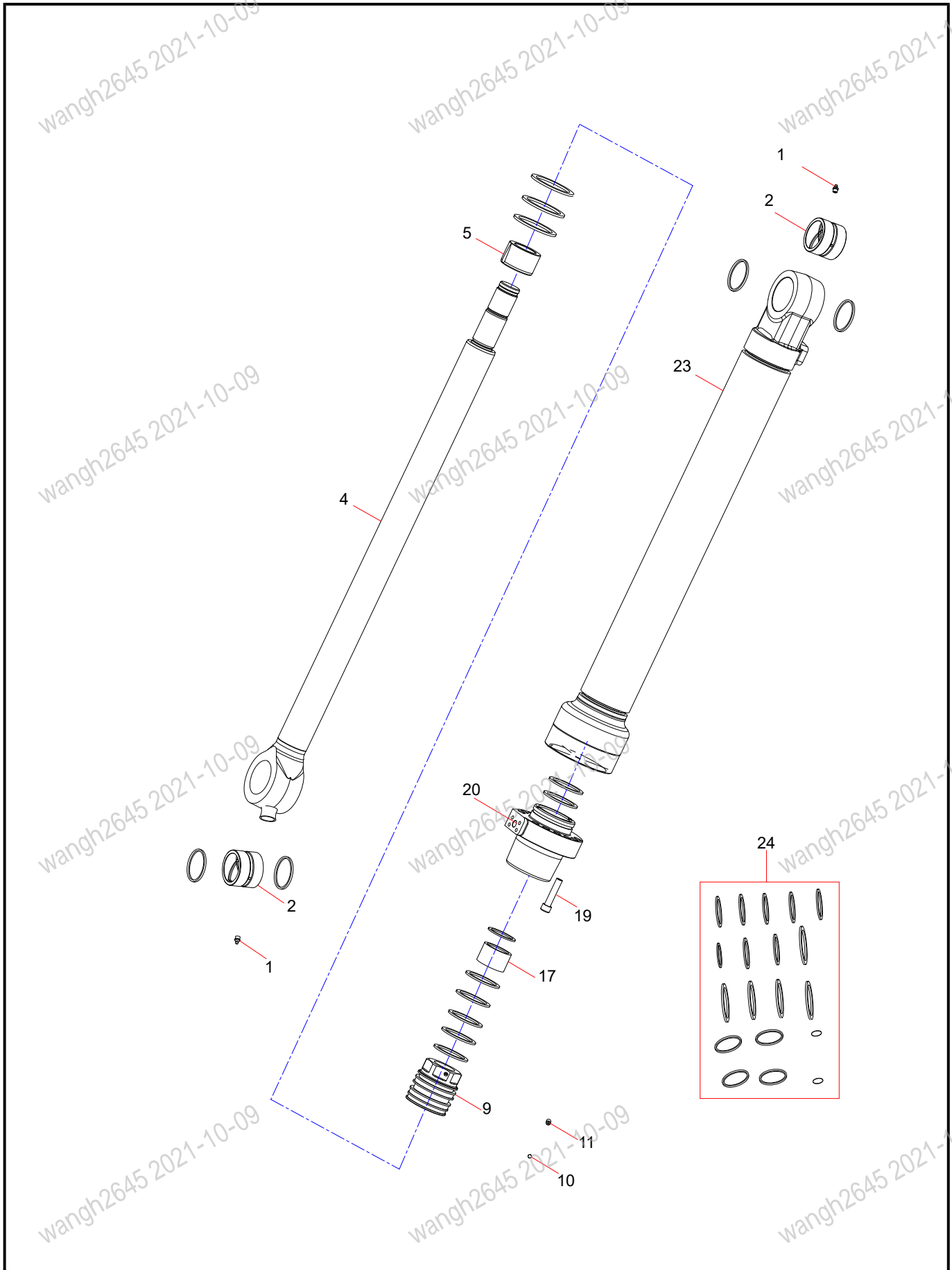


INDEX	PART NO.	DESCRIPTION	QTY	SEE PAGE
41	B229900000686	Grease Joint	5	
42	A820205001235	Connector	6	
43	A210434000007	Washer	3	
44	B210770000085	Pipe connector	2	
45	A210434000005	Washer	2	
46	B230103005361	Hose Assembly	2	
47	A820101345161	pipe nip	2	
48	A210204000339	Screw	6	
49	24000511	Washer	6	
50	60024872	Left Boom Cylinder	1	4-18
51	A820205000858	Fitting	3	
52	B210334000015	Nut	6	

60024871 Right Boom Cylinder

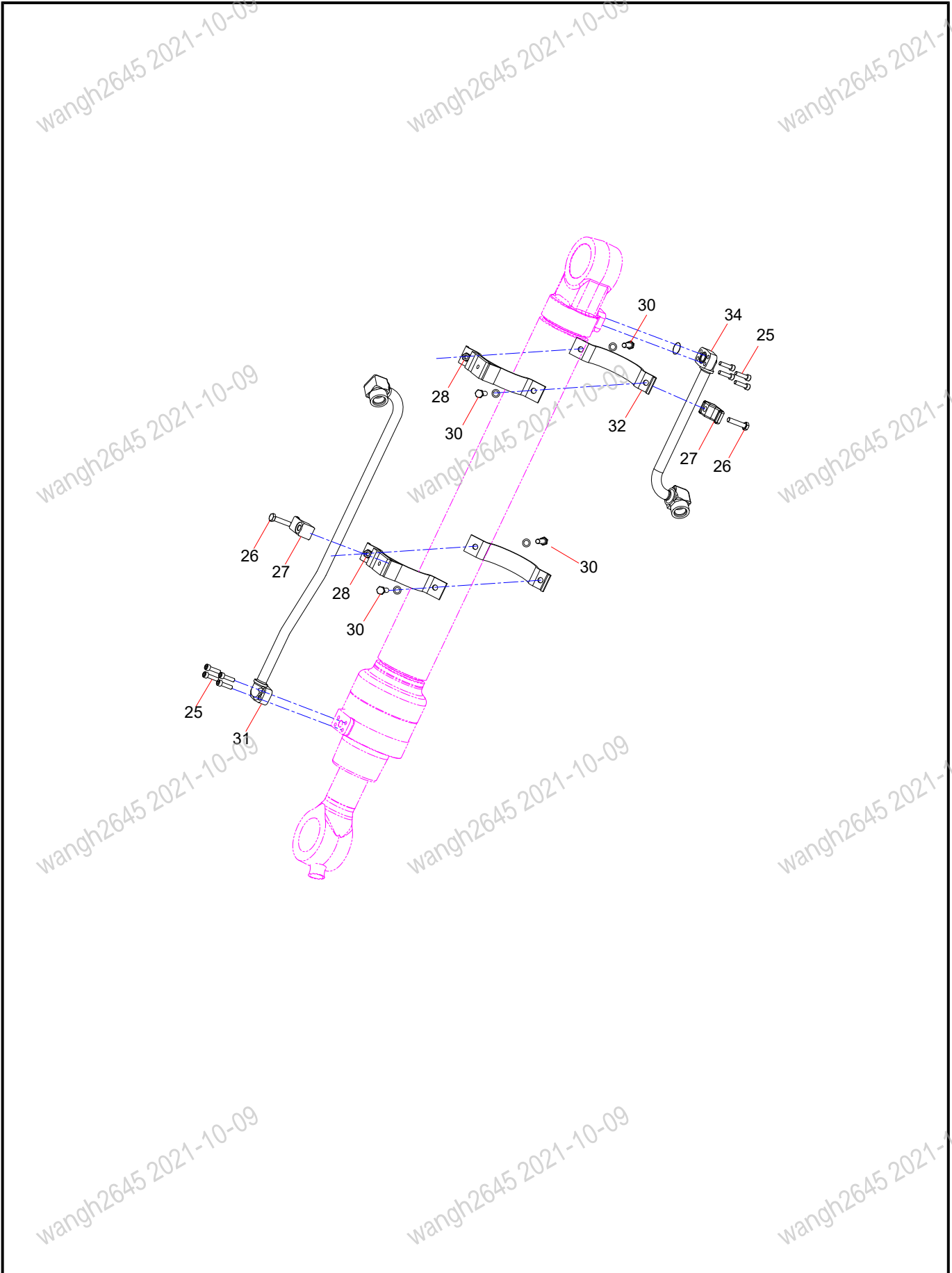


INDEX	PART NO.	DESCRIPTION	QTY	SEE PAGE
1	60249056	C-Shaft Sleeve	2	
2	60084705	Piston Rod	1	
3	60084740	Retainer Ring	1	
4	60287017	Bumper Sleeve	1	
5	60084734	Formed Guide Ring	1	
6	60084745	Buffering ring	1	
7	60287018	Piston	1	
8	60287019	Nut	1	
9	60080467	Steel Ball	1	
10	60084741	concave end screw	1	
11	A210204000298	Screw	12	
12	60084696	End cover	1	
13	60084711	Opening retainer ring	1	
14	60249042	Sliding shaft sleeve	1	
15	60084693	Retainer Ring	1	
16	60084694	Spacer	1	
17	60021558	Bolt	2	
18	A210400000001	Washer	2	
19	A210307000036	Nut	2	
20	60295053	Graphite liner copper sleeve	1	
21	A880899010002	Fitting, Grease	1	
22	60329022	Cylinder body	1	
23	A210110000030	Bolt	1	
24	A210401000003	Washer	1	
25	60329023	Tube collar assembly	1	
26	60329018	(right)Boom cylinder pipe assembly B	1	
27	60169606	Board	2	
28	A210307000025	Nut	1	
29	60329019	(right)Boom cylinder pipe assembly A	1	
30	A210204000164	Screw	8	
31	60295017	Multi-way valve repairing kit	1	

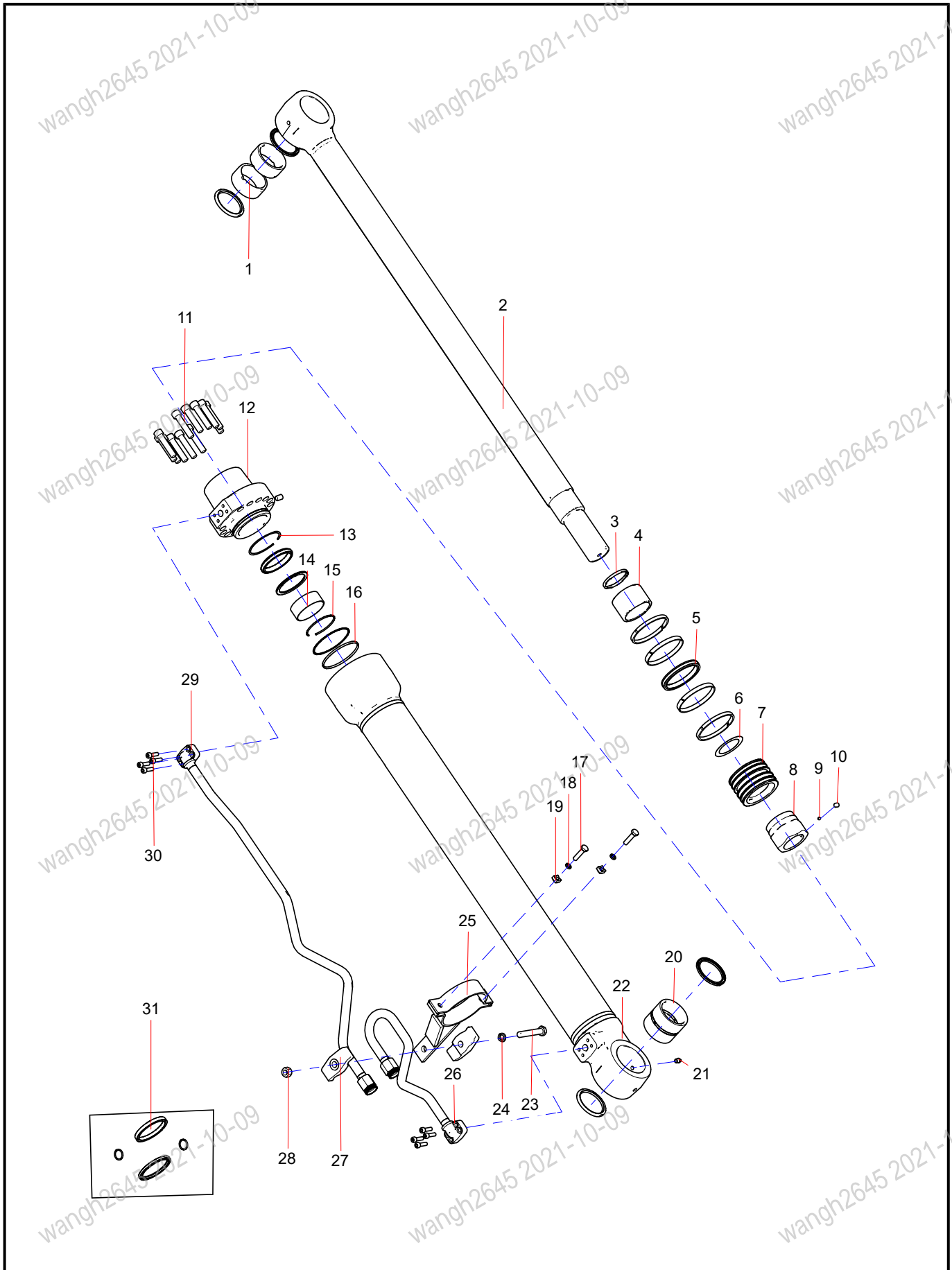




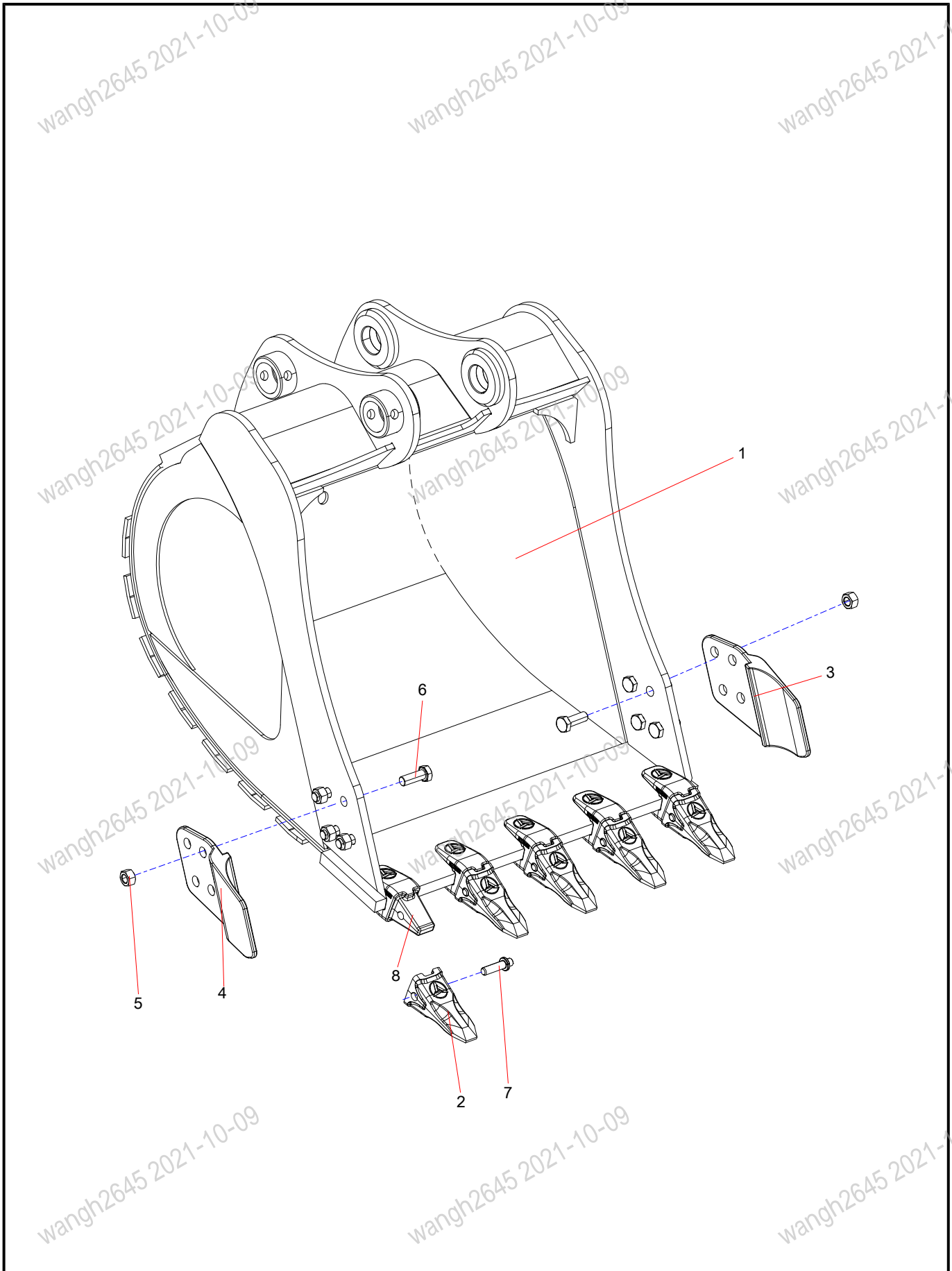
INDEX	PART NO.	DESCRIPTION	QTY	SEE PAGE
1	A210804000002	Grease Fitting	2	
2	60084731	Shaft Sleeve	2	
4	60084707	Piston Rod	1	
5	60169560	Bumper Sleeve	1	
9	60084702	Piston	1	
10	60080467	Steel Ball	1	
11	60020647	concaveFastening screw	1	
17	60249046	Sliding shaft sleeve	1	
19	A210204000298	Screw	12	
20	60084698	Cylinder Cover	1	
23	60084700	Cylinder Body	1	
24	60311647	Bucket Cylinder Repair Kit	1	



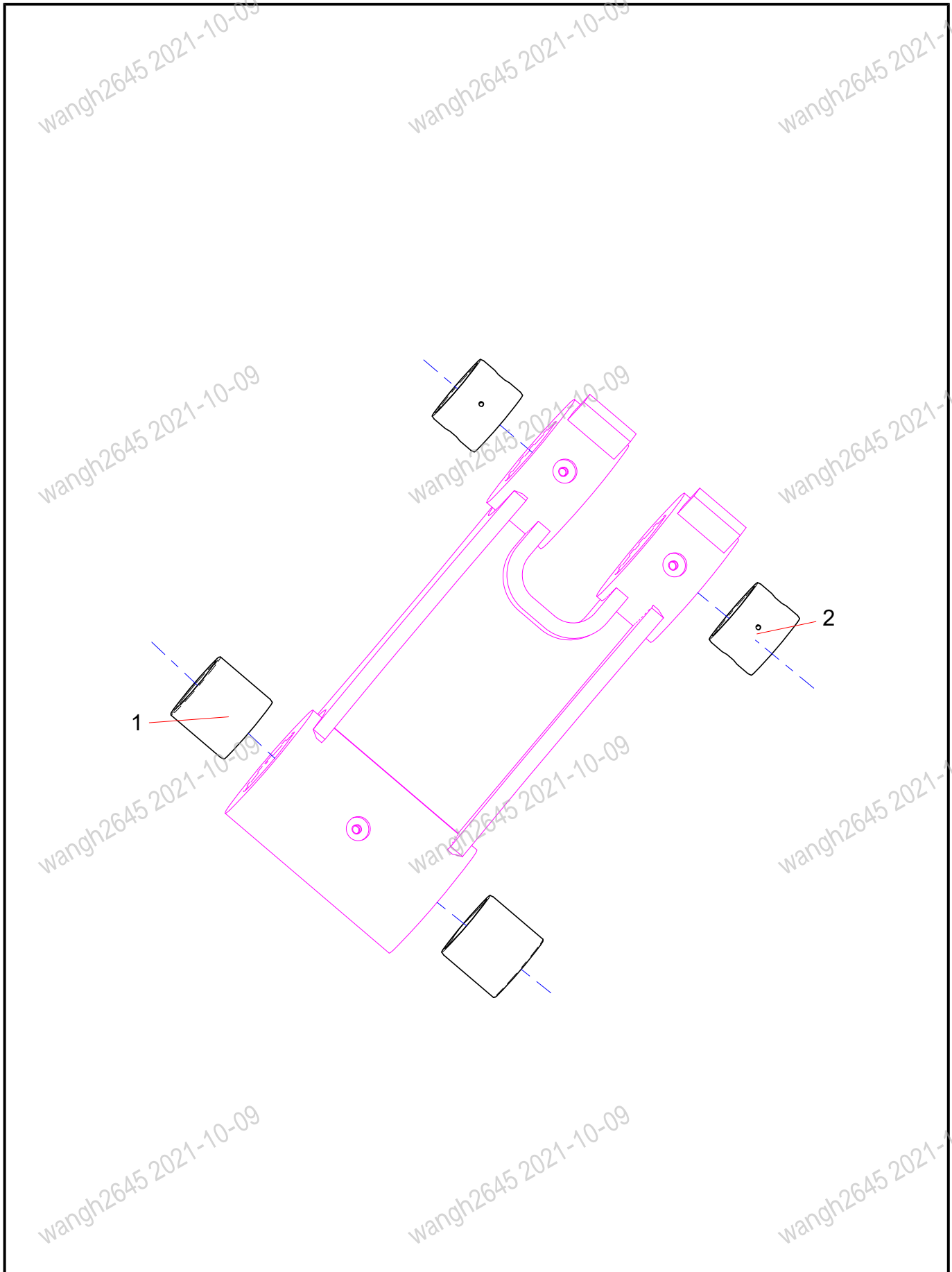
INDEX	PART NO.	DESCRIPTION	QTY	SEE PAGE
25	A210204000164	Screw	8	
26	A210111000028	Bolt	2	
27	60084714	plate	2	
28	24000867	nut	4	
30	60021558	Bolt	4	
31	60084718	Pipe assembly of rod	1	
32	60084708	Tube collar assembly	2	
34	60084713	Pipe assembly of head	1	



INDEX	PART NO.	DESCRIPTION	QTY	SEE PAGE
1	60249056	C-Shaft Sleeve	2	
2	60084705	Piston Rod	1	
3	60084740	Retainer Ring	1	
4	60287017	Bumper Sleeve	1	
5	60084734	Formed Guide Ring	1	
6	60084745	Buffering ring	1	
7	60287018	Piston	1	
8	60287019	Nut	1	
9	60080467	Steel Ball	1	
10	60084741	concave end screw	1	
11	A210204000298	Screw	12	
12	60084696	End cover	1	
13	60084711	Opening retainer ring	1	
14	60249042	Sliding shaft sleeve	1	
15	60084693	Retainer Ring	1	
16	60084694	Spacer	1	
17	60021558	Bolt	2	
18	A210400000001	Washer	2	
19	A210307000036	Nut	2	
20	60295053	Graphite liner copper sleeve	1	
21	A880899010002	Fitting, Grease	1	
22	60329022	Cylinder body	1	
23	A210110000030	Bolt	1	
24	A210401000003	Washer	1	
25	60329023	Tube collar assembly	1	
26	60329020	(left)Boom cylinder pipe assembly b	1	
27	60169606	Board	2	
28	A210307000025	Nut	1	
29	60329021	(left)Boom cylinder pipe assembly a	1	
30	A210204000164	Screw	8	
31	60295017	Multi-way valve repairing kit	1	



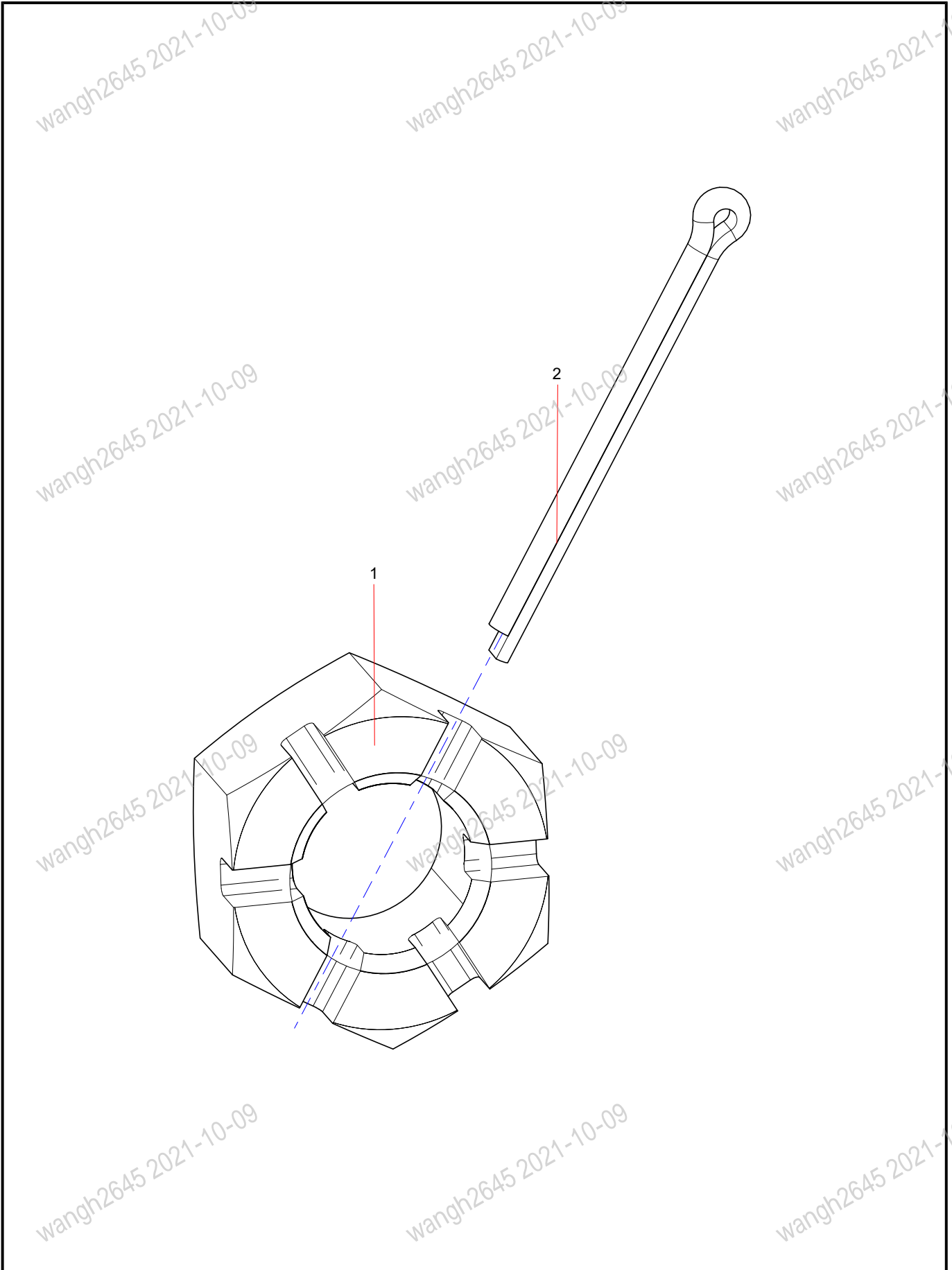
INDEX	PART NO.	DESCRIPTION	QTY	SEE PAGE
1	14311362	bucket	1	
2	60154445	Bucket Tooth	5	
3	A229900007130	right plate	1	
4	A229900007131	left plate	1	
5	60012073	Nut	8	
6	A210111000301	Bolt	8	
7	60154443	Tooth Pin	5	
8	60154444	Base of tooth	5	





INDEX	PART NO.	DESCRIPTION	QTY	SEE PAGE
1	A820202005379	Bushing	2	
2	14228406	Shaft Sleeve	2	

SSY004835007 fasten component

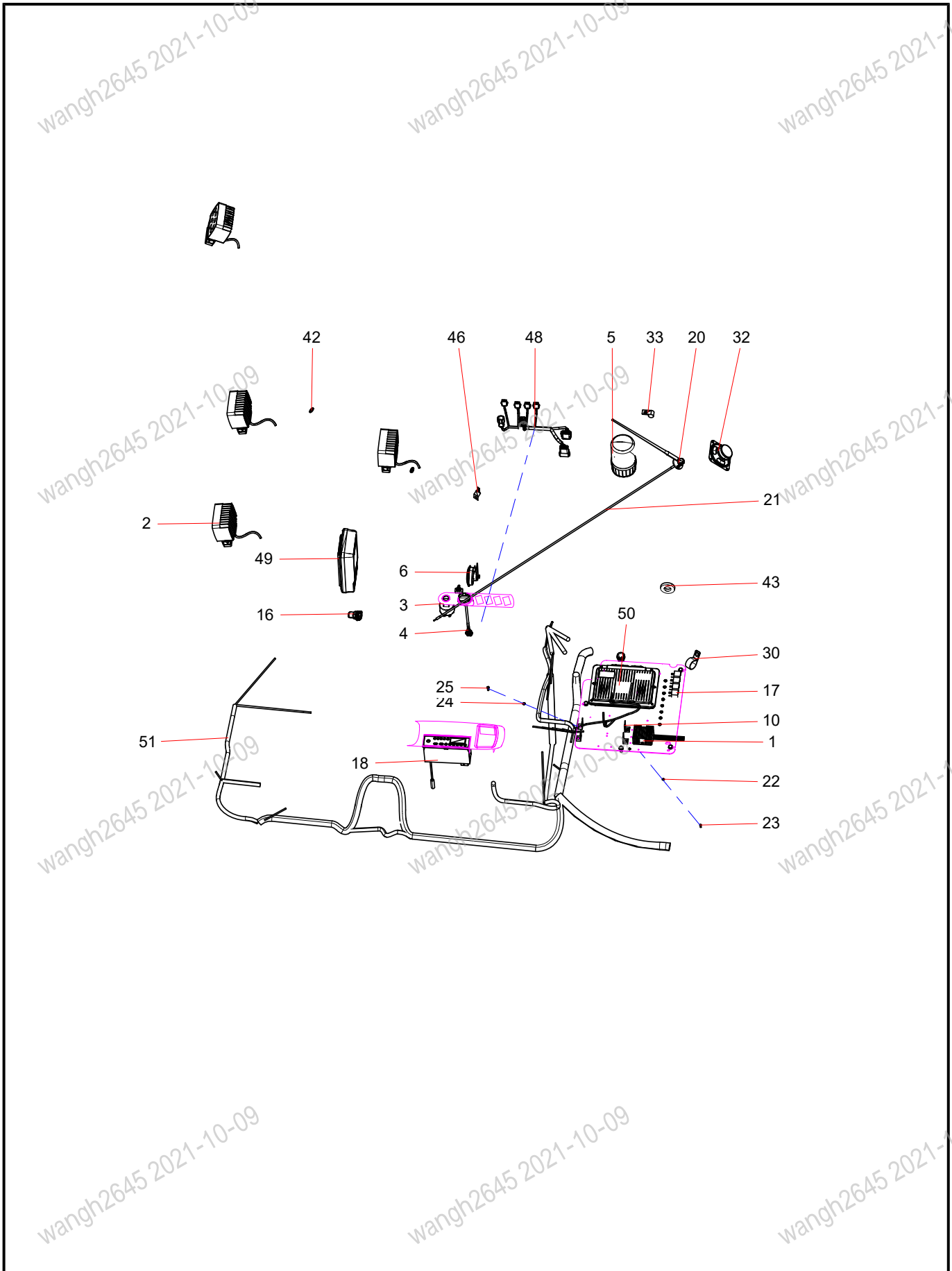


INDEX	PART NO.	DESCRIPTION	QTY	SEE PAGE
1	SSY004835006	fasten part	1	
2	A210491000024	Pin	1	

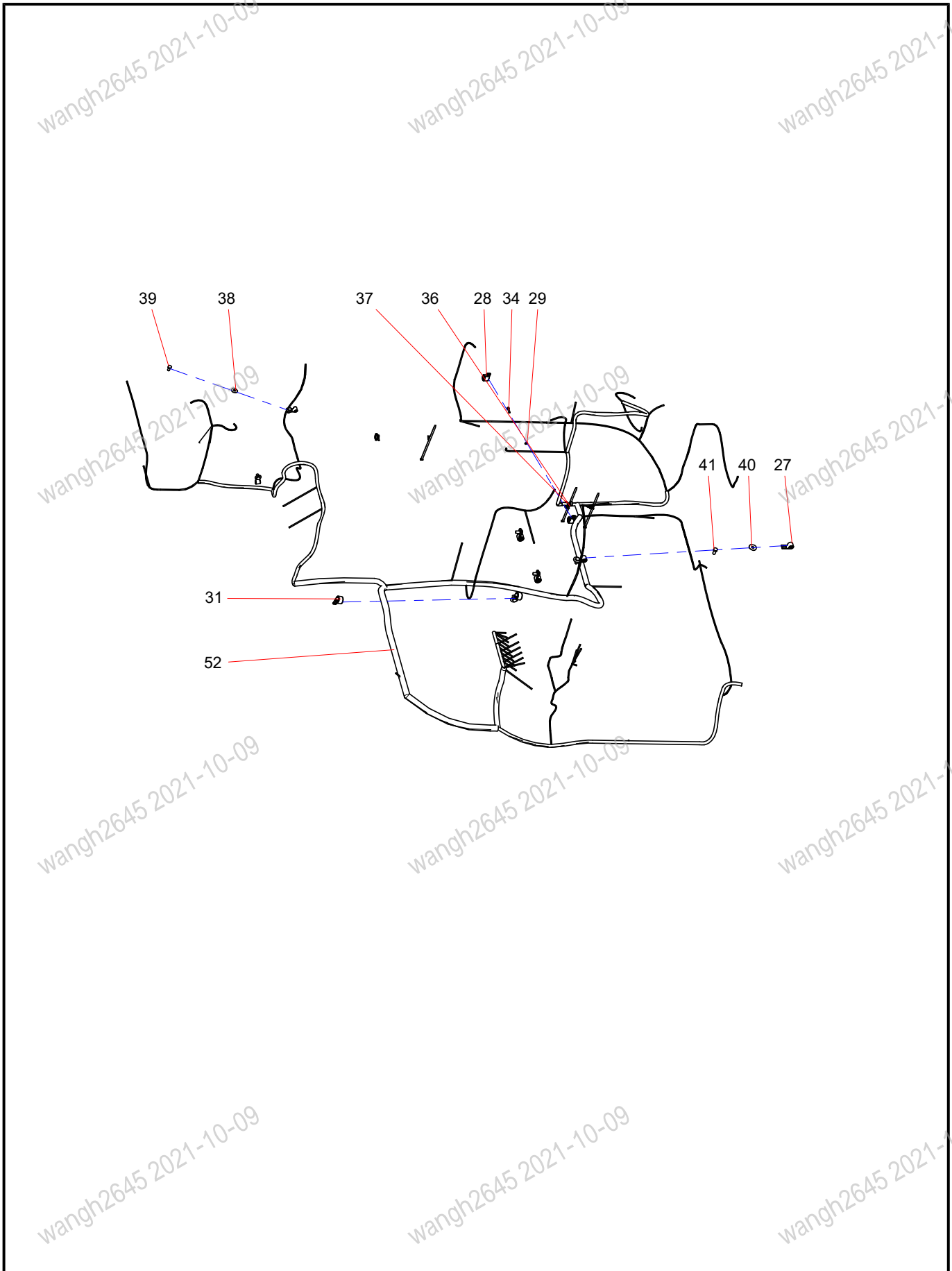


# Group 5

## Electrical system

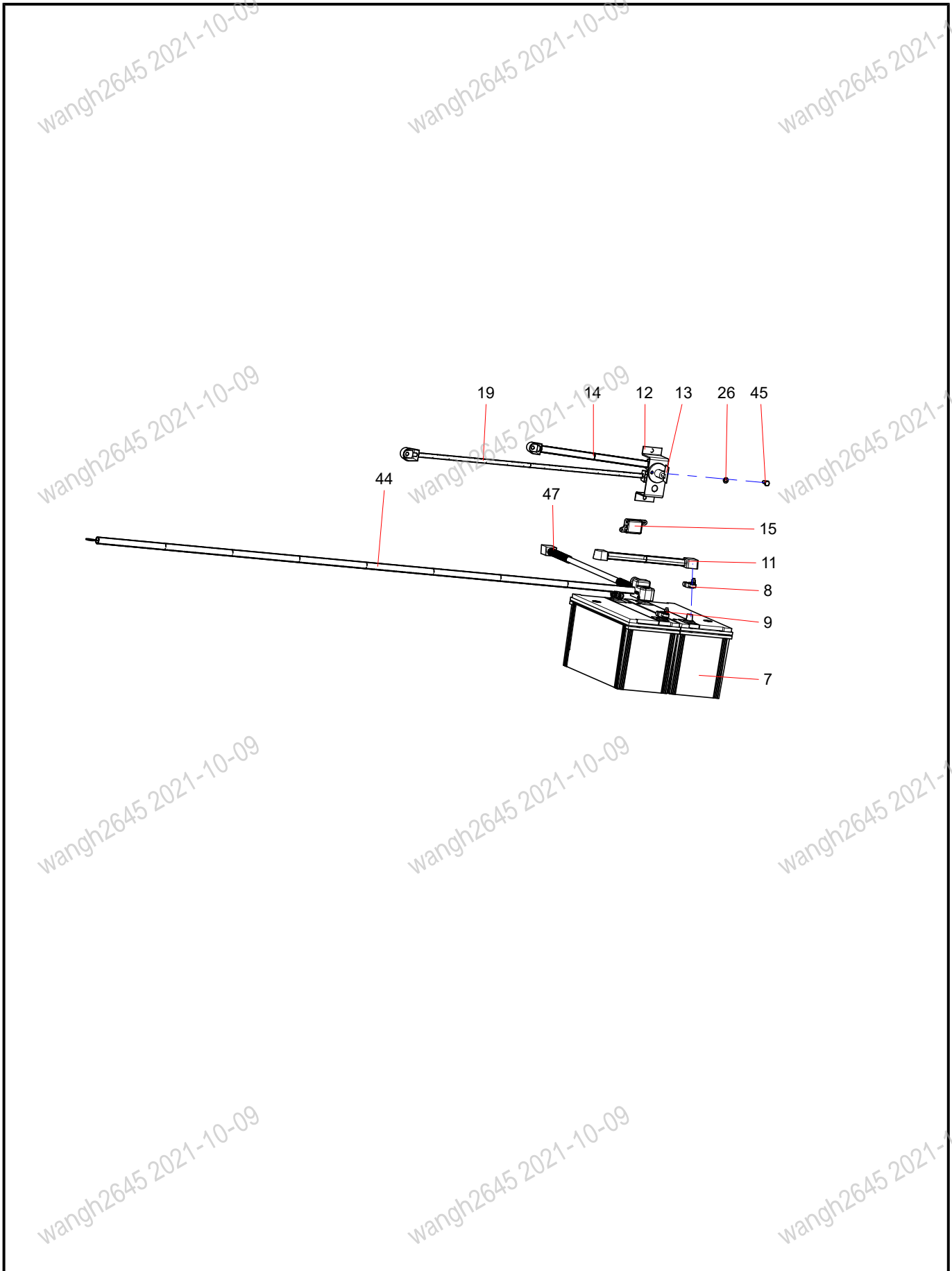


INDEX	PART NO.	DESCRIPTION	QTY	SEE PAGE
1	60222546	Converter	1	
2	60232826	Working Lamp	4	
3	A241200001217	Ignition Switch	1	
4	60211508	Knob Switch	1	
5	A241100000547	Alarm Light	1	
6	60241902	Horn	1	
10	13439765	ECM Fixed Plate	4	
16	60222807	Charger	1	
17	B240700000250	Intermediate Relay	4	
18	60205002	Radio	1	
20	60090606	Antenna	1	
21	60060300	Antenna Extension Wire	1	
22	60060562	Washer	4	
23	A210210000030	Screw	4	
24	24000630	Washer	14	
25	A210210000002	Screw	14	
30	60086357	Clamp	2	
32	60358261	Speaker	1	
33	60083322	Clamp	8	
42	A239900000053	Nylon Strap	6	
43	60358300	Pvc Electric Tape	1	
46	11400099	The Clamp of AMP	4	
48	13321446	Control Switch Harness	1	
49	140704000326B	Display Control Screen	1	
50	13827187	Sany Encourage Hydraulic Control Unit	1	
51	14466147	Driver's Cab Harness	1	

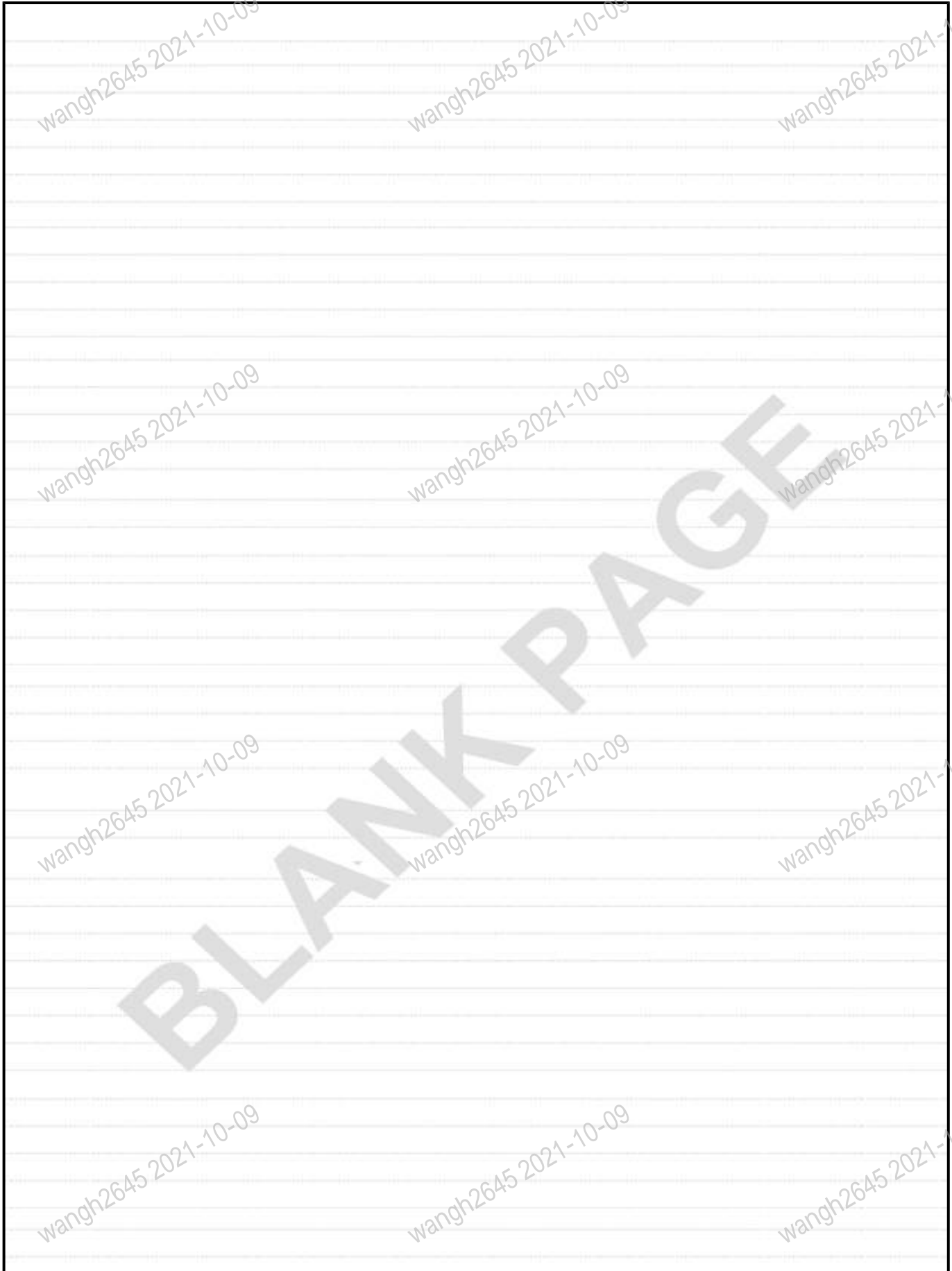




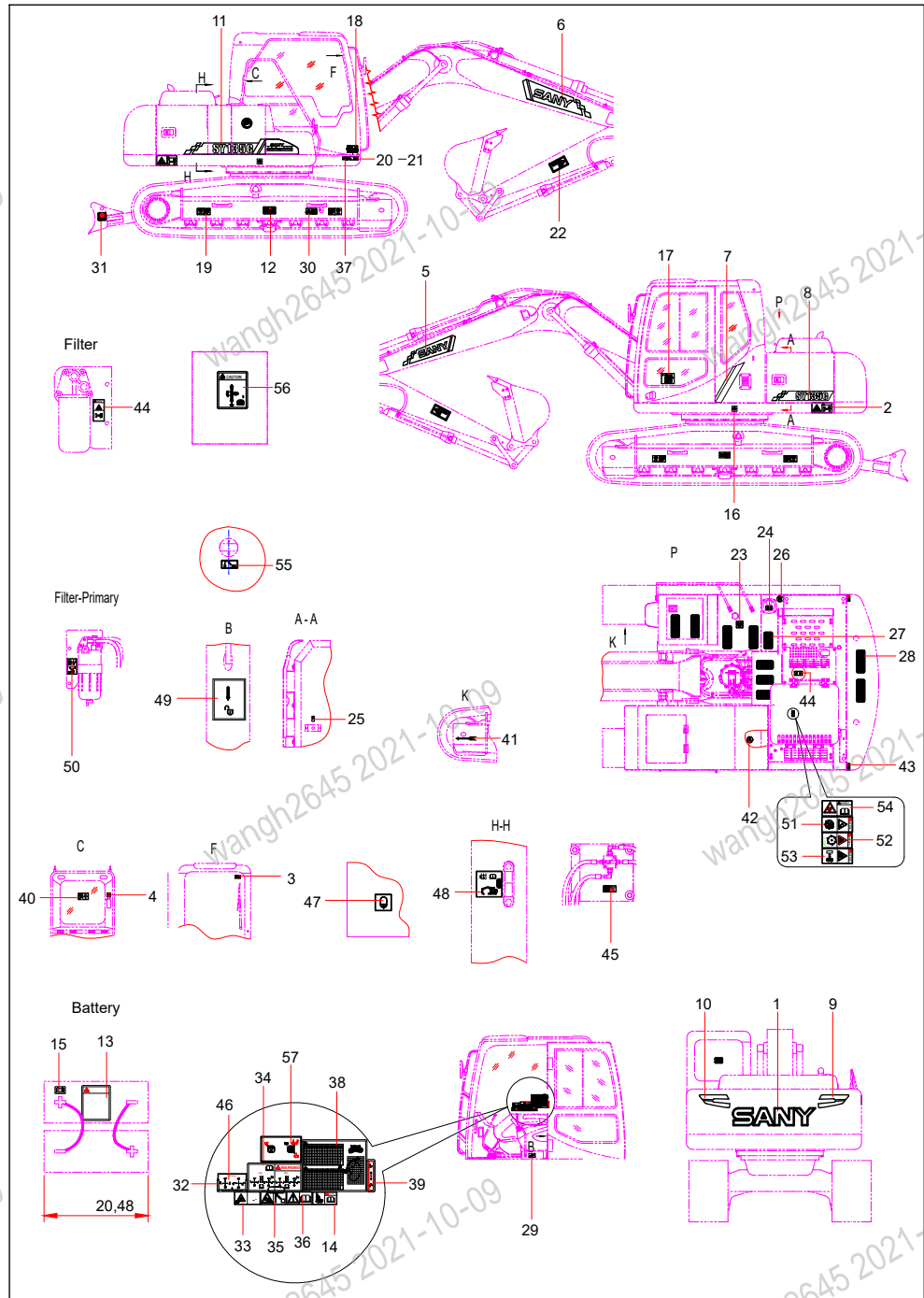
INDEX	PART NO.	DESCRIPTION	QTY	SEE PAGE
27	60086354	Clamp	15	
28	60086355	Clamp	15	
29	24000632	Washer	5	
31	60086356	Harness Fixed Frame	2	
34	24002251	Screw	5	
35	60086353	Wire Clamp	10	
36	60197034	Cluster Fixed Lace	5	
37	60202078	Cluster Fixed Lace	5	
38	60060546	Washer	8	
39	A210111000012	Bolt	8	
40	60060548	Washer	14	
41	A210111000101	Bolt	14	
52	14466158	Vehicle Body Harness	1	



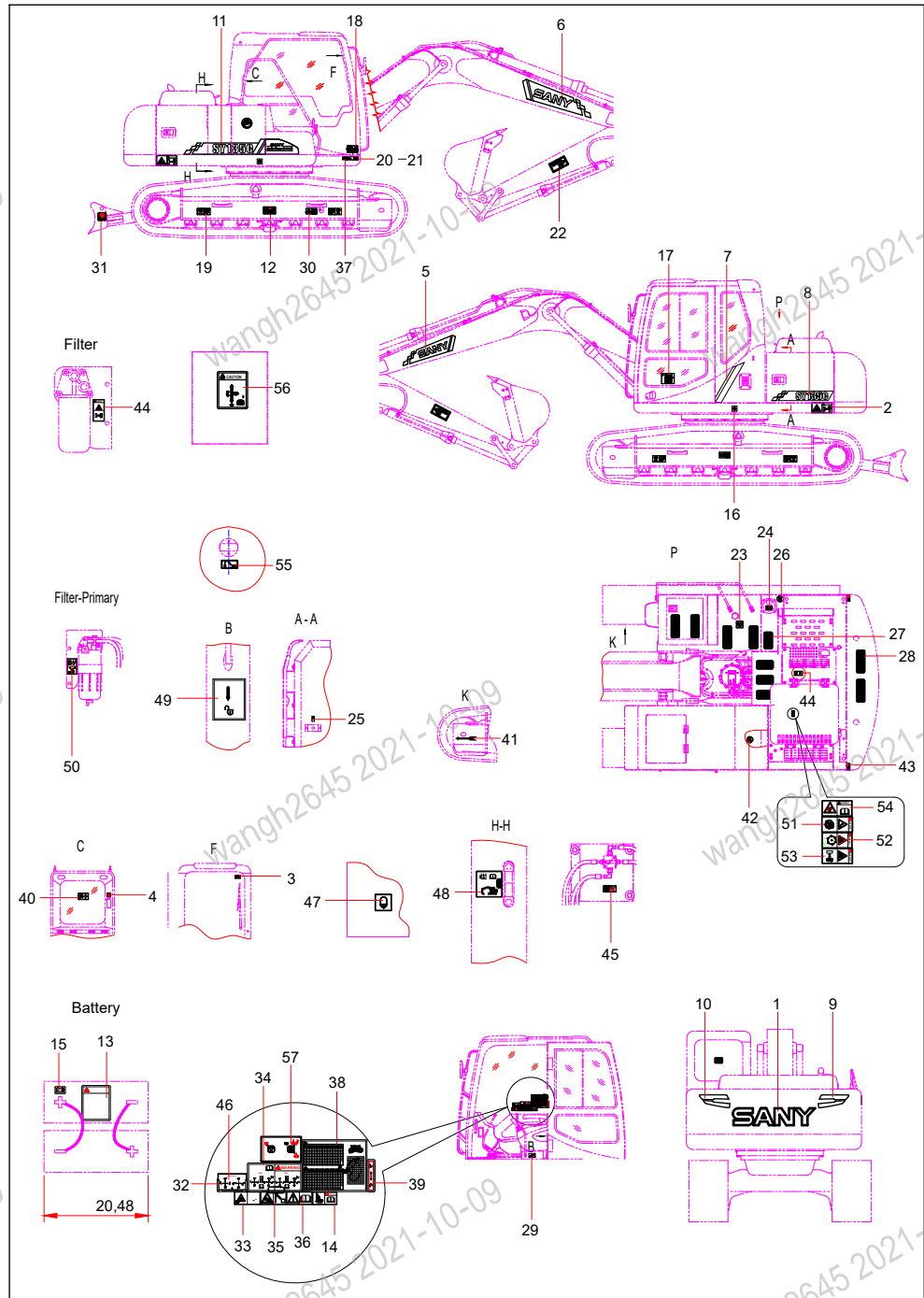
INDEX	PART NO.	DESCRIPTION	QTY	SEE PAGE
7	60190637	Battery	2	
8	60013321	Terminal Group, Type-A Battery Negative	2	
9	60013322	Terminal Group, Type-A Battery Positive	2	
11	60012792	Power Supply Harness	1	
12	13437634	frame	1	
13	61022402	Master Switch of Power Supply	1	
14	60018110	Power supply harness	1	
15	A241300000059	Fuse Housing	1	
19	60012805	Cable, Battery	1	
26	24000633	Washer	6	
44	60193173	Power Line	1	
45	A210111000343	Bolt	6	
47	11428026	Battery Power Cable	1	



# Group 6 coating

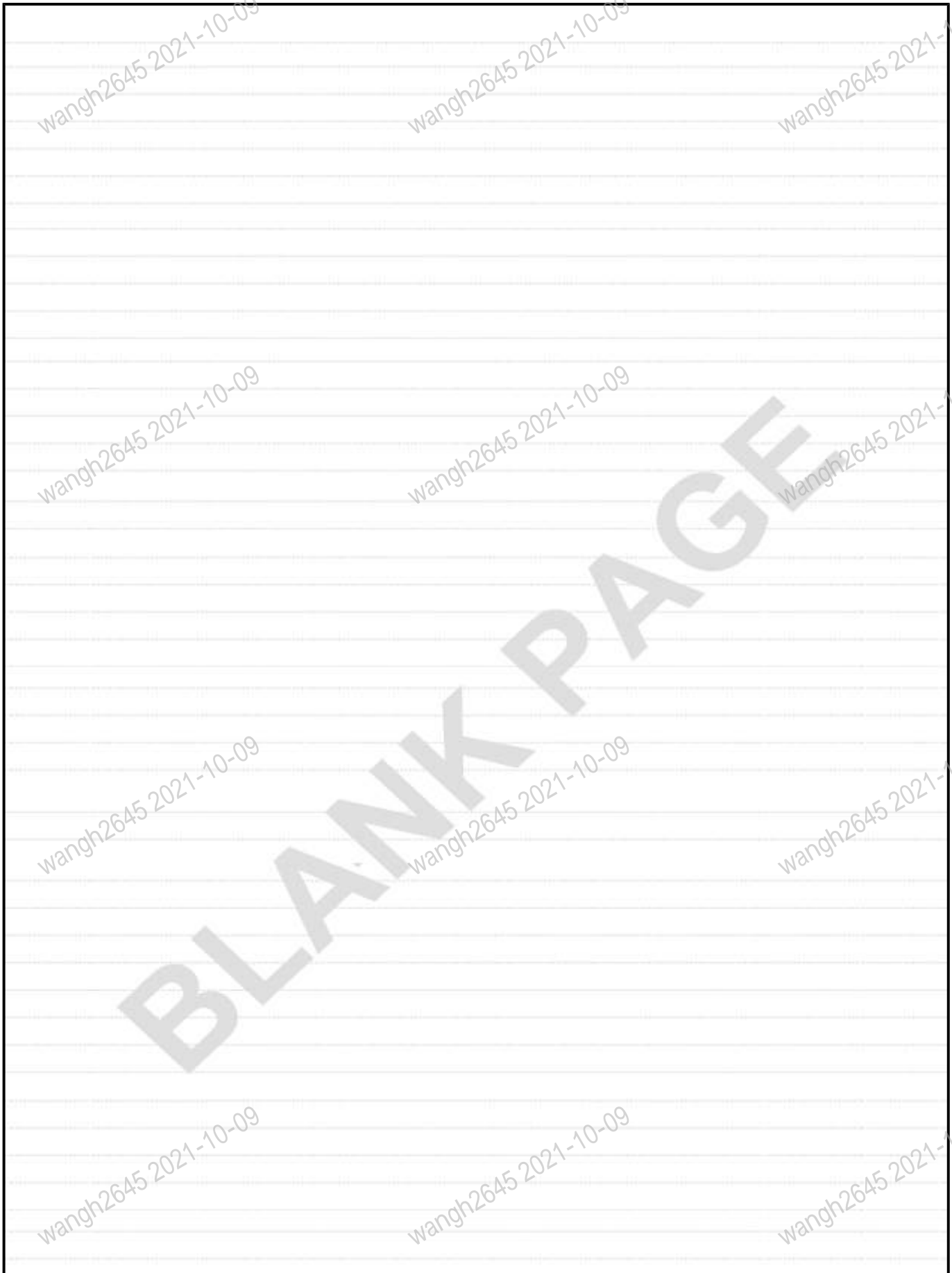


INDEX	PART NO.	DESCRIPTION	QTY	SEE PAGE
1	12896881	Counterweight marking	1	
2	13333248	Counterweight Warning Board	2	
3	13340001	Front Window Lock Caution Board	1	
4	12033806	Safety Sign - Beware of Fire	1	
5	13793112	beam left decal	1	
6	13793109	beam right decal	1	
7	13735003	Cab decal	1	
8	13793151	machine body left decal	1	
9	13793153	counterweight right reflective coating	1	
10	13793152	counterweight left reflective coating	1	
11	13811313	right decal	1	
12	13336668	Track Tension	2	
13	13333405	Caution Plate of Battery	1	
14	13309327	Caution plate for preventing bucket impact	1	
15	A820601990972	Decal, Power Supply	1	
16	12052090	Center-of-gravity mark	2	
17	13202406	Lubrication table	1	
18	13156487	Fixed Loading Spot Layout Diagram	1	
19	12052085	Fixed loading spot mark	4	
20	13764745	nameplate for America	1	
21	A210510000007	Rivet	4	
22	13333382	Arm Warning	2	
23	13166425	Fuel Tank Indicator	1	
24	13272748	Hydraulic Oil Tank Indicative Board	1	
25	A820699001109	Decal, Power Socket	1	
26	A820601990929	Decal, Drain, Fuel Tank	2	
27	A820699000370	Tape, Anti-skid, Short	3	
28	A820699000369	Tape, Anti-skid, Long	5	
29	13166512	Seat Adjustment Instruction	1	
30	13333436	Antispray Caution Plate	2	
31	12052087	Mark Diagram of Hook Point	6	
32	11366432	Card Holder Plate	1	
33	13351088	Seat safety caution board	1	
34	13340076	Control map	1	
35	13340247	Warning board for high pressure avoidance	1	
36	12496543	Refer to the caution plate of user's guide	1	
37	13309332	Rotary bearing caution plate	1	
38	13278536	Lift capability meter	1	
39	A820601000014	Control Indicating Board of Bulldozing Shovel	1	
40	A820601990969	Decal, Emergency Exit	1	



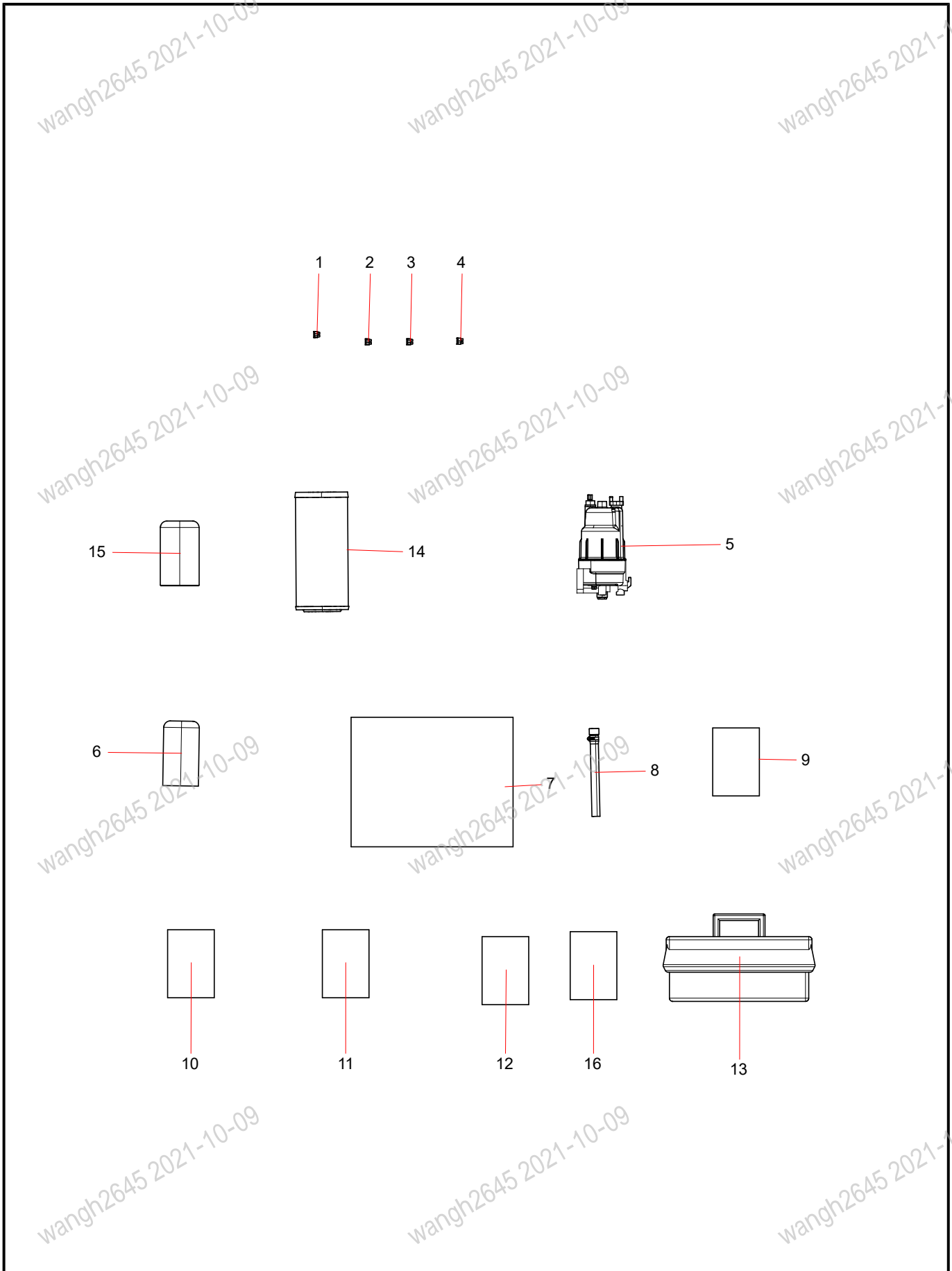


INDEX	PART NO.	DESCRIPTION	QTY	SEE PAGE
41	A820699001018	Forward Direction Indication	2	
42	13309285	No Seat Warning Board	1	
43	13333529	Fall Arrest Caution	2	
44	13339939	Caution for Hotness	2	
45	13340036	Joystick change indication	1	
46	13340087	Pattern Changer Card	1	
47	13166740	Accumulator Decal	1	
48	13340334	Oil Level Label	1	
49	A820601990927	Decal, Unlock	1	
50	13334245	Oil-water Separator Drain Instruction	1	
51	13341890	Caution Board of "No Standing"	1	
52	13339874	Caution Board of Belt Security	1	
53	13342850	Fan Tough Caution Board	1	
54	13340515	Antispray Caution Plate	1	
55	13166770	Machine Marking	1	
56	13901364	decal for handle	1	
57	13719725	Flow Indication Decal of Three-Way Ball Valve	1	

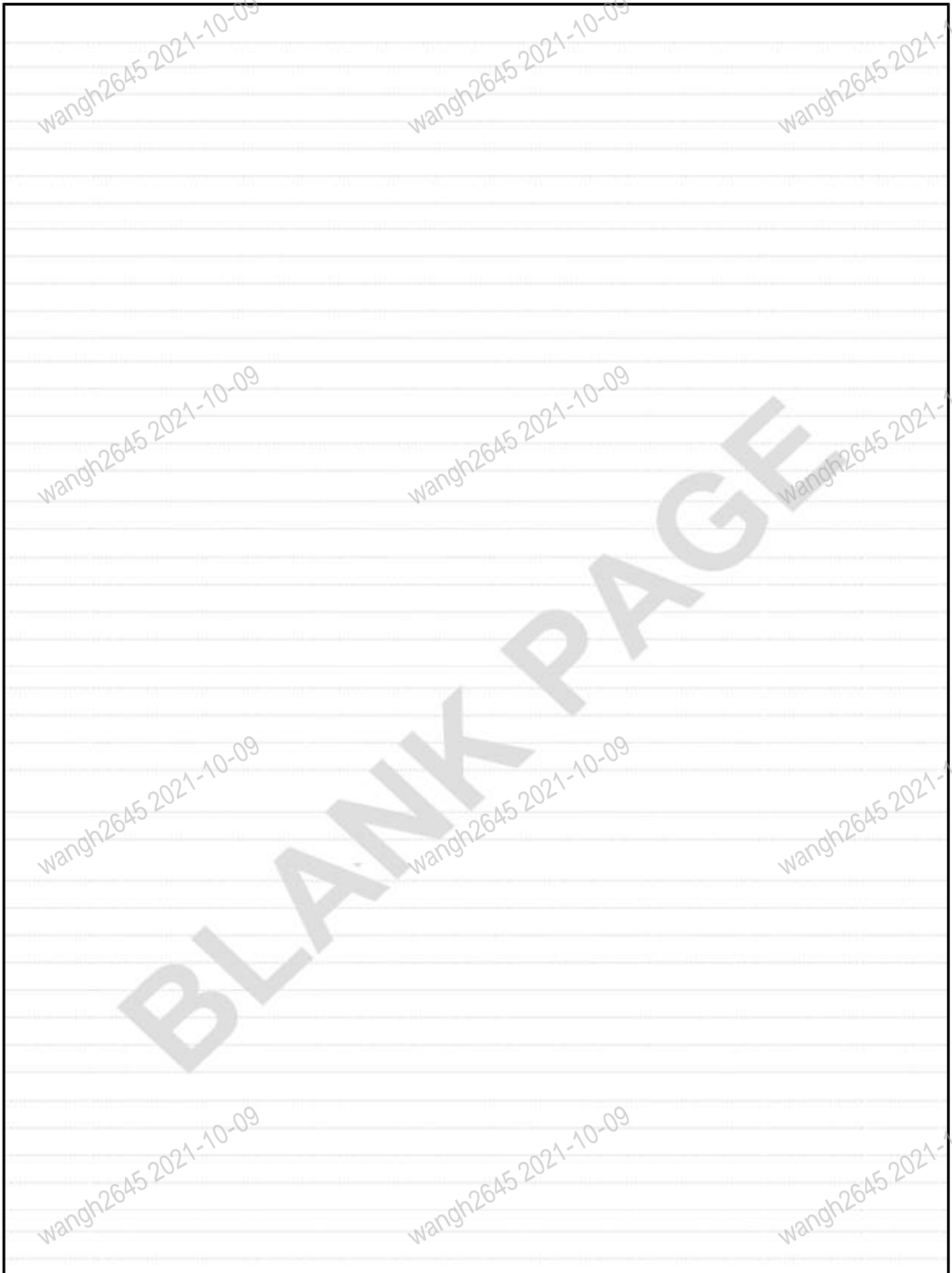


# Group 7

## Attached tools and parts



INDEX	PART NO.	DESCRIPTION	QTY	SEE PAGE
1	A24130000019	Fuse	1	
2	A24130000018	Fuse	1	
3	A24130000017	Fuse	1	
4	A24130000016	Fuse	1	
5	60307173	Fuel Filter	1	
6	60282117	Fuel Filter Core	1	
7	60041997	Accessories Box	1	
8	60016775	OIL DRAINER ASM	1	
9	14201357	Engine drawing volume for SY135C9I3K	1	
10	14388659	SA Excavator SY135C9I3K(US) SOM	1	
11	11826337	Sany Excavator Maintenance and Guarantee(English)	1	
12	13106659	Operator Instruction	1	
13	14042474	Accompanying Tools	1	
14	B222100000500	Filter Core, Main, Air Filter	1	
15	B222100000494	Oil Filter	1	
16	10710527	spare parts drawing volume	1	



# Index

10077269 Transition Block.....	2-81	10684108 Washer, Wiper Motor .....	2-133
10077549 Connector .....	2-67	10710527 spare parts drawing volume.....	7-3
10115295 Seat Upper Base Frame.....	2-163	10786241 track chain .....	3-15
10125134 Upper fixed plate of air duct.....	2-137	10788271 Water tank supporting rod .....	2-45
10125192 Spring.....	2-133	10788274 Rubber Sleeve .....	2-45
10128857 Supporting Rod , Skylight .....	2-139	10788284 U type bolt.....	2-51
10128902 Door Stop Pin.....	2-133	10788285 Rubber hose III.....	2-51
10128903 Block, Rubber .....	2-133	10788287 Rubber hose I.....	2-51
10128913 Door Rubber Strip.....	2-135	10788304 Exhaust connecting tube .....	2-51
10128920 Handle Sleeve.....	2-133	10788305 Drainage pipe.....	2-51
10128922 Cap, Rubber.....	2-157	10788306 Bracket.....	2-51
10128962 Door Inner Cover Plate.....	2-157	10793597 Compressor Bracket.....	2-187
10130346 Seat Guide Track Adjusting Shim.....	2-163	10811483 Travel device .....	1-3
10133023 Cap, Protective, Rubber.....	2-157	10811518 Lock pin .....	3-9
10137641 Handle Assembly, Rear Door Lock.....	2-133	10835684 Slewing ring .....	3-17
10137654 Waterproof Board Assembly Of Windshield.....	2-131	10911866 Fixed Clamp .....	2-177
10138029 Handle Limiting Stopper .....	2-137	11084197 Pipe, hot pipe, air conditioner.....	2-187
10138032 Inner Handrail, Truck Body .....	2-137	11093821 Pin shaft.....	3-9
10138035 Front Window Front Locker .....	2-141	11094594 Rear Wall Glass .....	2-131
10138038 Sunroof Lock.....	2-141	11115687 Screw, Socket Head Cap .....	2-147
10138044 Pedal.....	2-133	11127565 drainage tube.....	2-57
10138049 Left-Hand Glass .....	2-131	111302000001 door beading of cab .....	2-157
10138052 Door Lower Glass .....	2-157	11133774 Protective Sleeve .....	2-3
10138053 Latch, Outer, Door .....	2-157	11139289 Strip, Sealing, Front Window Down Glass .....	2-141
10140450 Electric Assembly Front Cover Base Rack .....	2-163	11141306 Sealing strip, skylight .....	2-139
10144609 Rubber Cap .....	2-141	11141364 Front window sealing strip.....	2-141
10166212 Catch, Inner, Door .....	2-157	11147611 The Protective Cover Of A/C Compressor.....	2-187
10167592 Spacer.....	3-9, 4-3	11176807 Pin.....	3-15
10167594 Shim.....	3-9, 4-3, 4-5	11225691 Protective Sleeve.....	2-3
10167595 Gasket.....	3-9, 4-3, 4-5	11243372 Pressure Plate .....	2-69
10167597 Spacer.....	4-7	11243374 Pressure Plate .....	2-69
10179460 Cover, oil suction .....	2-39	11243400 Pressure Plate.....	2-69
10181386 Air cleaner anchor ear.....	2-51	11251714 Adapter.....	2-57
10210082 Screw Plug .....	2-63	11270434 piston rod.....	3-21
10225831 Pipe, oil return.....	2-7	11270571 Cylinder Drum Component .....	3-21
10241175 Air Duct Connection Flange.....	2-163	11281501 Bulldozing shovel oil cylinder .....	3-9
10244287 Inner Air Cover Plate.....	2-129	11285315 W74A Process Package for sealing parts.....	3-21
10254231 left bracket.....	2-187	11308196 Outer Armrest Gasket .....	2-135
10254232 right bracket .....	2-187	11308197 Slinger Spacer.....	2-141
10344193 Outer Protective Cover.....	2-163	11308294 Spacer, skylight lock.....	2-139
10428097 Seat Lower Base Frame.....	2-163	11324927 Plate, nut.....	2-141
10465291 A/C Cover Left Bracket Assem.....	2-143	11331654 Adapter.....	2-57
10465435 A/C Cover Right Bracket Assem .....	2-143	11366432 Card Holder Plate .....	6-3
10473230 cluster Protection Ring.....	2-137	11400099 The Clamp of AMP .....	5-3
10473271 Harness Seal .....	2-133	11428026 Battery Power Cable .....	5-7
10473290 Plastic Screw .....	2-133	11462138 Front Window Left Fixed Block.....	2-141
10473291 Plastic Screw .....	2-133	11462329 Right Buffer Block .....	2-141
10473839 Seal, Sliding Door.....	2-157	11462351 Left Buffer Block .....	2-141
10514225 Plug.....	2-39	11546613 Cushion Board.....	2-167
10542624 Cover .....	3-3	11571909 Block .....	2-161
10567493 Foot Blowing Air Duct Sealing Sponge.....	2-129	11574210 Sprue, Sealing Strip.....	2-143
10570332 Slewing Mechanism.....	2-7	11593196 Front Window Right Fixed Block.....	2-141

11593380 Hand banister .....	2-175	12159487 Oil Return Steel Pipe .....	2-7
11593942 Gasket .....	2-167	12196084 Rod, Door .....	2-179, 2-181
11594064 Shim .....	2-167	12221186 Fuel Pipe Joint .....	2-59
11632477 Track Roller .....	3-5	12232977 lamp cover .....	2-177
11640080 seat and control cabinet .....	2-129	12233075 front engine hood cover .....	2-177
11646101 Internal, decoration, assembly .....	2-131	12233329 sealing strip .....	2-177
11647963 Pipe clamp .....	3-21	12233429 Clamping Collar .....	2-177
11648652 Display mounting plate .....	2-143	12233605 front engine hood .....	2-177
11655950 cover plate .....	3-3	12236268 Trim cover .....	2-169
11664456 adjusting spacer .....	2-3	12239518 front engine hood assembly .....	2-169
11664457 adjusting spacer .....	2-3	12252608 Fuel Pipe Joint M16-D10 .....	2-57
11670604 Floor Pad .....	2-167	12295713 drying bottle support .....	2-187
11679982 G1/4-M18 Adaptor .....	2-125	12329009 Lock pin .....	4-3
11717575 pin .....	3-15	12329107 Pipe Connector .....	2-11
11728602 Component of oil return pipe .....	2-7	12350706 Drainage tube .....	2-57
11762934 Cover Plate of Air-conditioner Assembly .....	2-143	12371665 Track Unit .....	3-15
11764044 Front Control Box Upper bracket assembly .....	2-143	12403409 battery pressure plate assembly .....	2-173
11786631 crawler assembly .....	3-5	12496543 Refer to the caution plate of user's guide .....	6-3
11817218 Check Nut .....	2-177, 2-179, 2-181	12638122 Filter joint .....	2-95
11817247 Fix Board .....	2-179, 2-181	12653044 Base Plate .....	2-167
11821876 Right jiggle bar .....	4-7	12688927 Left Handle .....	2-161
11821941 Left jiggle bar .....	4-7	12691132 Right Handle .....	2-161
11826337 Sany Excavator Maintenance and Guarantee(English) .....	7-3	12696327 Upper seal ring .....	3-3
11910642 Block, Rubber .....	2-133	12727958 mat .....	2-43
11937141 Foot Valve Seal .....	2-167	12731217 general assembly of bottom sealing board .....	2-3
11938003 BLOCK .....	2-9	12731218 Left central sealing board .....	2-195
11991708 Cover plate .....	2-185	12735024 Gasket, Rubber .....	2-179, 2-181
11991709 Battery rubber pad .....	2-185	12738042 Protective sleeve .....	2-3
11991710 Guard of battery .....	2-173	12738050 Protective sleeve .....	2-3
11991712 Cover plate supporting .....	2-185	12753676 Rubber Hose4SP16-DKOL-DKOL45-6004SP16-DK .....	2-5
12002592 Pedal Sleeve .....	2-161	12768399 Anti-Follision Block, Front Window .....	2-141
12003641 Left Backup Plate of Pedal .....	2-161	12810653 damper lower backup plate .....	2-43
12009258 Left Backup Sleeve of Pedal .....	2-161	12829018 Spacer .....	2-129
12009972 Right Backup Plate of Pedal .....	2-161	12831132 Cylinder Assem. ....	3-21
12010268 Right Backup Sleeve of Pedal .....	2-161	12832208 Shaft Sleeve .....	4-3
12033806 Safety Sign - Beware of Fire .....	6-3	12846550 Pedal .....	2-161
12042264 steel pipe assembly .....	4-9	12896881 Counterweight marking .....	6-3
12043189 steel pipe assembly .....	4-9	12917163 Track Bush .....	3-15
12043208 grease tube .....	4-9	12933250 Shaft Sleeve .....	4-5
12043218 grease tube .....	4-9	12934780 Running Control Mechanism .....	2-129
12043226 grease tube .....	4-9	12935011 Bottom board rack of cab .....	2-129
12043349 grease tube .....	4-9	12977186 G1/4-M14 Connector .....	2-95
12043362 grease tube .....	4-9	130101010140B001 Reducer assembly Repair kit .....	3-13
12048863 Display ScreenInstallation Bracket .....	2-143	13011029 Electric box .....	2-171
120504000015A Self-Lubricating Bearing .....	3-21	13036476 Electric System, Cab .....	2-131
12052085 Fixed loading spot mark .....	6-3	13039393 Washer .....	3-21
12052087 Mark Diagram of Hook Point .....	6-3	13039579 Right upper rear cover plate .....	2-171
12052090 Center-of-gravity mark .....	6-3	13039593 Left spacing plate .....	2-171
12058454 Middle front sealing board .....	2-195	13039597 Right partition plate .....	2-171
12058458 Rear sealing board of cab .....	2-195	13039598 Rear distance piece .....	2-171
12058459 Middle sealing board of cab .....	2-195	13047586 stay rod .....	2-45
12058460 Front sealing board of cab .....	2-195	13048990 Leading valve rack .....	2-81
12058461 Oil tank sealing board .....	2-195	13050479 Power system .....	2-3
12061490 Oil cylinder guard board .....	3-9	13077998 Damping and transmission system .....	2-41
12072680 adaptor .....	2-11	130907000157A Mirror,Rear .....	2-175
12108521 Central rear sealing board cover .....	2-195	13100862 rubber .....	2-7
12108559 Right Sealing Board .....	2-195	13106659 Operator Instruction .....	7-3
12135992 track frame .....	3-3		



13156331 Master Bush.....	3-15	13422882 Front cover plate.....	2-171
13156487 Fixed Loading Spot Layout Diagram.....	6-3	13424503 Oil Return Steel Pipe.....	2-9
13158666 front Spring.....	2-169	13424523 Oil Return Steel Pipe.....	2-9
13159343 rear spring.....	2-169	13424603 Oil Suction Steel.....	2-5
13166425 Fuel Tank Indicator.....	6-3	13425090 Plate.....	2-81
13166512 Seat Adjustment Instruction.....	6-3	13425181 Front cover plate.....	2-171
13166740 Accumulator Decal.....	6-5	13434084 frame.....	2-129
13166770 Machine Marking.....	6-5	13436101 Alarm lamp rigid board.....	2-129
131903020002B Tensioning Equipment.....	3-3	13437634 frame.....	5-7
13202406 Lubrication table.....	6-3	13437825 Plate.....	2-107
13203028 G3/4-M26-L115 Adaptor.....	2-11	13437942 Steel pipe assembly.....	4-9
13203130 Screw plug G1/2.....	3-21	13439725 Main Counterweight body.....	2-193
13256588 coating.....	1-3	13439736 Counterweight assembly.....	2-3
13269044 Handle Guard.....	2-69	13439765 ECM Fixed Plate.....	5-3
13269672 Joint.....	2-11	13439953 Sealing strip.....	2-183
13272748 Hydraulic Oil Tank Indicative Board.....	6-3	13439958 Sealing strip.....	2-183
13278536 Lift capability meter.....	6-3	13443821 Arm.....	4-5
13279347 Piston.....	3-21	13444513 Cooling system.....	2-41
13282207 Flange block.....	2-7	13444515 Intake and Exhaust System.....	2-41
13282859 main valve frame.....	2-7	13444518 Fuel system assembly.....	2-41
13283613 big cavity pipe of boom.....	2-5	13495405 air intake tube.....	2-51
13283963 small cavity pipe of boom.....	2-5	13495406 air intake tube.....	2-51
13309285 No Seat Warning Board.....	6-5	13508381 prefilter connecting pipe.....	2-53
13309327 Caution plate for preventing bucket impact.....	6-3	13515834 drainage tube.....	2-57
13309332 Rotary bearing caution plate.....	6-3	13526417 Supporting Plate.....	2-163
13321446 Control Switch Harness.....	5-3	13527887 right door.....	2-181
13333248 Counterweight Warning Board.....	6-3	13528123 plate cover upper left.....	2-171
13333382 Arm Warning.....	6-3	13528739 stay rod assembly.....	2-169
13333405 Caution Plate of Battery.....	6-3	13531517 bonnet assy.....	2-169
13333436 Antispray Caution Plate.....	6-3	13585262 steel pipe assembly of arm cylinder.....	4-9
13333529 Fall Arrest Caution.....	6-5	13585391 steel pipe assembly of bucket cylinder.....	4-9
13334245 Oil-water Separator Drain Instruction.....	6-5	13585415 steel pipe of bucket cylinder.....	4-9
13336668 Track Tension.....	6-3	13587872 Side plate.....	2-171
13338063 mounting rack of rearview mirror.....	2-175	13588665 Steel Plate.....	2-9
13339874 Caution Board of Belt Security.....	6-5	13588668 Steel Plate.....	2-7
13339939 Caution for Hotness.....	6-5	13588671 steel pipe support plate.....	2-9
13340001 Front Window Lock Caution Board.....	6-3	13592799 Central partition plate.....	2-171
13340036 Joystick change indication.....	6-5	13592841 General assembly of covering parts.....	2-3
13340076 Control map.....	6-3	13595223 hydraulic tank.....	2-39
13340087 Pattern Changer Card.....	6-5	13595457 hydraulic fuel tank assy.....	2-7
13340247 Warning board for high pressure avoidance.....	6-3	13603012 bottom cap.....	2-63
13340334 Oil Level Label.....	6-5	13605252 fuel tank assembly.....	2-57
13340515 Antispray Caution Plate.....	6-5	13614426 fuel pipe.....	2-57
13341890 Caution Board of "No Standing".....	6-5	13614712 fuel pipe.....	2-57
13342850 Fan Tough Caution Board.....	6-5	13614719 fuel pipe.....	2-57
13351088 Seat safety caution board.....	6-3	13614720 fuel pipe.....	2-57
13418053 stainless steel tube.....	2-51	13623064 G1/4-M14 Connector.....	2-97
13418055 air intake rubber hose.....	2-53	13624410 clamp.....	4-9
13418056 intercooled air-intake pipe.....	2-51	13688163 Protective sleeve.....	2-51
13418704 air filtering bracke.....	2-51	13719725 Flow Indication Decal of Three-Way Ball Valve.....	6-5
13421084 radiator lower water pipe of radiator.....	2-45	13722058 bracket.....	2-51
13421085 radiator up water pipe of radiator.....	2-45	13726441 wind insulation board.....	2-45
13421088 engine water filling pipe.....	2-45	13735003 Cab decal.....	6-3
13421089 engine exhaust pipe.....	2-45	13748065 left door.....	2-179
13421090 water tank exhaust pipe.....	2-45	13764745 nameplate for America.....	6-3
13421091 breathing tube.....	2-45	13793109 beam right decal.....	6-3
13421454 engine bearer.....	2-43	13793112 beam left decal.....	6-3
13421600 intercooled air-intake pipe.....	2-51	13793151 machine body left decal.....	6-3
13421601 Exhaust pipe of intercooler.....	2-51	13793152 counterweight left reflective coating.....	6-3

13793153 counterweight right reflective coating ...	6-3	14388659 SA Excavator SY135C9I3K (US) SOM	7-3
13797507 connecting disc of flywheel shell .....	2-43	14449483 driving wheel .....	3-5
13801283 door-shaft seal .....	2-179, 2-181	14465442 Attached tools and parts .....	1-3
13805255 Fuel Tank .....	2-63	14466147 Driver's Cab Harness .....	5-3
13811313 right decal .....	6-3	14466158 Vehicle Body Harness .....	5-5
13827187 Sany Encourage Hydraulic Control Unit .....	5-3	14467646 Installation plate for electrical equipment .....	2-129
13827386 Electrical system .....	1-3	14469219 Cab .....	2-3
13828119 Right Door Assy. ....	2-169	14552721 shaft sleeve .....	3-21
13828122 right door frame .....	2-179	150188000452A CASING (F), pump .....	2-15
13828132 right door frame .....	2-169	150188000453A CASING (R), pump .....	2-13
13828145 right door frame .....	2-169	150188000454A BLOCK, valve .....	2-15
13828152 Right Door Assy. ....	2-169	150188000796A plug .....	2-13
13828155 right door frame .....	2-181	150202040016B032 bolt of main pump .....	2-15
13828158 right door frame .....	2-169	150588000006 Repair Kit .....	2-79
13828162 front cross rail .....	2-169	150601080031B001 Main valve maintenance package .....	2-33
13828168 supporting plate .....	2-169	160603010045A Oil Water Separator .....	2-59
13828172 supporting plate .....	2-169	21002815 Fitting .. 2-67, 2-95, 2-97, 2-105, 2-109, 2-111, 3-7	
13828183 fix board .....	2-169	21002816 Pipe connector .. 2-83, 2-85, 2-87, 2-95, 2-97	
13834956 Steel pipe .....	4-9	21002822 Fitting .....	3-7, 3-9
13835018 Steel pipe .....	4-9	21002823 Pipe Connector .....	3-7
13835467 revolving frame .....	2-3	21002824 Pipe connector .....	2-11, 2-111
13837626 Work Device Tube .....	4-3	21002825 Pipe Connector .....	2-11, 3-7
13837712 Work device .....	1-3	21002826 Fitting, Connector .....	2-7, 2-11
13838251 PPC pipeline .....	2-65	21002840 Fitting .....	2-67
13838265 Sensor Transition Pipeline .....	2-65	21005186 Bolt .....	2-43, 2-69
13838273 Main Valve Pipeline .....	2-65	21005237 Bolt .....	2-81
13838275 Electromagnetic valve pipeline .....	2-65	21005240 Bolt .....	3-3
13838276 Main pump pipeline .....	2-65	21008534 Screw .....	2-57
13838335 pilot rube hose .....	2-3	21020054 Rubber Hose .....	2-69
13838379 Hydraulic main pipeline .....	2-3	21026928 Rubber Hose .....	2-119
13840366 air conditioning .....	2-3	21027535 Screw .....	2-107
13840903 slewing device .....	1-3	21032784 Hose Assembly .....	2-69
13853860 fix board .....	2-171	21053360 Hose Hoop .....	2-45, 2-57
13853862 Washer .....	2-179, 2-181	21053874 Rubber Hose .....	2-5
13881689 bonnet assy .....	2-183	23000169 Nut .....	2-107
13892488 Plate .....	2-7	23000905 Hose .....	2-119
13892578 Plate .....	2-9	23991450 Filter Core .....	2-61
13901364 decal for handle .....	6-5	24000509 Washer .....	2-129
13982387 Pipe, hot pipe, air conditioner .....	2-187	24000511 Washer .....	2-63, 2-69, 2-125, 2-163, 2-177, 2-187, 4-11
13996527 Groove Plate .....	2-179, 2-181	24000512 Washer .....	2-7, 2-43, 2-67, 2-129, 2-161, 2-163, 3-7, 4-9
14018247 track shoe .....	3-15	24000513 Washer .....	2-7, 2-125, 3-9, 4-3, 4-5
14021985 air intake stainless steel tube .....	2-51	24000630 Washer .....	5-3
14042474 Accompanying Tools .....	7-3	24000632 Washer .....	2-7, 2-63, 2-67, 2-107, 2-129, 2-163, 2-187, 5-5
14045624 Oil tube of fuel pump .....	2-59	24000633 Washer .....	2-5, 2-7, 2-45, 2-53, 2-63, 2-107, 2-129, 2-161, 2-163, 2-177, 2-179, 2-181, 2-187, 5-7
14051432 board .....	2-193	24000637 Washer .....	2-163, 2-167, 2-169, 2-177, 3-3
140704000326B Display Control Screen .....	5-3	24000639 Washer .....	2-39, 2-167, 2-169, 2-179, 2-181, 2-187, 2-193
14099971 Crawler guard board .....	3-5	24000642 Washer .....	2-167
141502000382B Inner Air Filter .....	2-189	24000867 nut .....	4-17
14181458 Rubber sleeve .....	2-167	24002251 Screw .....	5-5
14181459 Rubber sleeve .....	2-167	29010015 O-ring .....	2-127
14201357 Engine drawing volume for SY135C9I3K .....	7-3	60001290 Plastic Handle .....	2-139
14204539 Guard mesh .....	2-129	60001972 T-type Clamp .....	2-51
14217196 Screw .....	2-5		
14218901 steel tube support .....	2-51		
14220476 Shaft Sleeve .....	4-7		
14228406 Shaft Sleeve .....	4-7, 4-23		
14311361 bucket assembly .....	4-7		
14311362 bucket .....	4-21		

60008511 Cover.....	2-15	60030341 Condenser to Reservoir Hose Assembly.....	2-187
60008545 Spring.....	2-15	60033039 Coolant Temperature Sensor.....	2-191
60008549 Pin.....	2-13	60033205 Seat Guide Rail(Left).....	2-163
60008585 Camshaft.....	2-71	60033517 Seat Guide Rail(Right).....	2-163
60008589 Washer.....	2-75	60037936 Plate.....	2-77
60008591 Cam.....	2-71	60037945 spring stopper-ring.....	2-13
60008592 Adjusting Screw.....	2-71	60038108 Poppet Valve.....	2-35
60008594 Spring.....	2-75	60038110 lift valve.....	2-25, 2-27, 2-33, 2-35
60008595 Plug.....	2-77	60038221 Spring.....	2-75
60008597 Washer.....	2-75, 2-77	60038241 SPRING.....	2-77
60008598 Washer Seal.....	2-77	60038242 spring.....	2-77
60008599 Push Rod.....	2-77	60038248 spring.....	2-25, 2-27, 2-33, 2-35
60008602 Connector.....	2-77	60038259 SPRING PIN.....	2-77
60008603 Sealing Ring.....	2-77	60038260 Spring(Pin).....	2-15
60008690 Bushing.....	2-71	60038272 SPRING SEAT.....	2-77
60008710 Roh Plug.....	2-13	60038279 Retainer ring.....	2-13
60008711 Plug.....	2-15	60038337 Position Bolt.....	2-15
60008713 Plug.....	2-13	60038452 Nuts.....	2-15
60008714 Plug.....	2-29	60038479 Nut.....	2-77
60008722 Rivet.....	2-13	60038480 Nut.....	2-71
60008728 Set Screw.....	2-73	60038487 PLUG.....	2-25, 2-33
60008754 End Cap.....	2-73	60038563 Screw.....	2-73
60008756 Spring Seat.....	2-73	60038601 PUSH ROD.....	2-77
60008758 Spring Seat.....	2-77	60038620 Pin.....	2-33
60008760 Spool.....	2-77	60038646 Oil Plug.....	2-25
60008765 Spring.....	2-35	60038677 Bearing Washer.....	2-13
60008766 Spring.....	2-73	60038711 O-ring (Seal).....	2-25, 2-33
60008767 Spring.....	2-73	60038715 O-ring(seal).....	2-25, 2-27, 2-33, 2-35, 2-77
60008774 Spring.....	2-77	60038720 O-ring.....	2-73
60008784 Check Valve.....	2-35	60038721 O-ring.....	2-33
60008786 Screw.....	2-77	60038722 O-ring.....	2-19, 2-21, 2-23, 2-25, 2-27, 2-29, 2-31
60008795 Valve Housing.....	2-77	60038723 O-ring.....	2-19, 2-21, 2-27, 2-29, 2-33, 2-35
60008799 O-ring.....	2-77	60038726 O-ring.....	2-25, 2-27, 2-29, 2-31
60008803 Piston.....	2-73	60038727 O-ring.....	2-25, 2-33, 2-75
60008806 Bushing.....	2-77	60038820 O-ring.....	2-75
60008809 Circular Plate.....	2-77	60039368 screw hex s.h.c.....	2-19, 2-21, 2-23, 2-25, 2-27, 2-29, 2-31
60009582 Tension Wheel.....	2-187	60039419 O-ring.....	2-29
60012073 Nut.....	4-21	60041997 Accessories Box.....	7-3
60012792 Power Supply Harness.....	5-7	60043082 Rubber Hose.....	4-9
60012805 Cable, Battery.....	5-7	60044059 Engine Oil Rubber Hose.....	2-57
60013321 Terminal Group, Type-A Battery Negative.....	5-7	60045595 Decorative Strip.....	2-143
60013322 Terminal Group, Type-A Battery Positive.....	5-7	60046622 Switch, Fuel.....	2-57
60016086 Single-chip Hydraulic control valve grou.....	2-9	60049945 Servo Motor.....	2-191
60016775 OIL DRAINER ASM.....	7-3	60049947 Servo Motor.....	2-191
60018110 Power supply harness.....	5-7	60049948 Air Conditioner Wiring Harness.....	2-191
60018582 Muffler assembly.....	2-51	60049951 Fan Blade.....	2-191
60018583 Fuel Pump.....	2-57	60049966 Anti-frost Sensor.....	2-191
60018791 Exhaust hose.....	2-187	60052666 Safety Hammer.....	2-135
60018792 Suction rubber tube.....	2-189	60060300 Antenna Extension Wire.....	5-3
60020078 Fitting, Screen.....	2-67	60060301 Temperature Sensor.....	2-67
60020647 concaveFastening screw.....	4-15	60060546 Washer.....	2-43, 2-185, 5-5
60021558 Bolt.....	4-13, 4-17, 4-19	60060548 Washer.....	2-57, 2-129, 2-169, 2-195, 5-5
60022656 Right armrest box assembly.....	2-163	60060553 Washer.....	2-45
60024870 Bucket Oil Cylinder.....	4-9	60060562 Washer.....	2-161, 5-3
60024871 Right Boom Cylinder.....	4-9	60060564 Washer.....	2-67
60024872 Left Boom Cylinder.....	4-11	60060565 Washer.....	2-53, 2-163, 2-169, 2-187
60024873 Arm Cylinder.....	4-9	60061365 Rubber Hose.....	3-9
60029642 Sensor Gp, Fuel Level.....	2-63	60061366 Rubber Hose.....	3-9



60065222 Electric Proportional Pressure Reducing Valve.....	2-121	60128885 Dominate System.....	2-155
60065224 Solenoid Switching Valve.....	2-121	60136331 Solenoid Valve Group.....	2-105
60067539 Rubber Hose.....	2-9	60137563 Right Handle.....	2-69
60075592 Spring.....	2-29	60137564 Left Handle.....	2-69
60077849 Cover of watering opening.....	2-47	60148482 Air Cleaner Sensor.....	2-51
60078235 VALVE.....	2-55	60149607 The Fixity of Line.....	2-45, 2-189
60080467 Steel Ball.....	4-13, 4-15, 4-19	60153197 Expansion Valve.....	2-191
60082144 Shoe.....	2-13	60153199 Blower Motor.....	2-191
60082166 Tilting Bush.....	2-13	60153202 Evaporator Assembly.....	2-191
60083322 Clamp.....	2-45, 2-187, 5-3	60153218 Evaporator Subassembly.....	2-191
60084693 Retainer Ring.....	4-13, 4-19	60153240 Inner Air Temperature Sensor.....	2-191
60084694 Spacer.....	4-13, 4-19	60154443 Tooth Pin.....	4-21
60084696 End cover.....	4-13, 4-19	60154444 Base of tooth.....	4-21
60084698 Cylinder Cover.....	4-15	60154445 Bucket Tooth.....	4-21
60084700 Cylinder Body.....	4-15	60163768 Blockage.....	2-73
60084702 Piston.....	4-15	60163771 Dust Ring.....	2-73
60084705 Piston Rod.....	4-13, 4-19	60165875 Adaptor 45 Dkol18 Cel18.....	2-5
60084707 Piston Rod.....	4-15	60166393 Split Flow Gear Pump.....	2-187
60084708 Tube collar assembly.....	4-17	60168171 Assembly, Air Conditioner.....	2-187
60084711 Opening retainer ring.....	4-13, 4-19	60169560 Bumper Sleeve.....	4-15
60084713 Pipe assembly of head.....	4-17	60169606 Board.....	4-13, 4-19
60084714 plate.....	4-17	60170604 Travelling Pilot Valve.....	2-67
60084718 Pipe assembly of rod.....	4-17	60171052 Lock-rightFrontWindow.....	2-159
60084731 Shaft Sleeve.....	4-15	60171053 Lock-leftFrontWindow.....	2-159
60084734 Formed Guide Ring.....	4-13, 4-19	60171548 Control Lever.....	2-123
60084740 Retainer Ring.....	4-13, 4-19	60171554 Retaining Ring.....	2-123
60084741 concave end screw.....	4-13, 4-19	60171573 Body of Valve.....	2-123
60084745 Buffering ring.....	4-13, 4-19	60171584 Spool.....	2-123
60086353 Wire Clamp.....	4-9, 5-5	60173180 Seal Ring.....	3-15
60086354 Clamp.....	2-45, 2-187, 5-5	60180746 Cover Assembly.....	2-55
60086355 Clamp.....	2-57, 2-187, 5-5	60180747 Body Assembly.....	2-55
60086356 Harness Fixed Frame.....	2-45, 2-57, 2-125, 5-5	60180748 Plug.....	2-55
60086357 Clamp.....	5-3	60186788 Filter, Hydraulic Tank Breather.....	2-37
60088075 Track Bolt LS175M16C.....	3-15	60190637 Battery.....	5-7
60090606 Antenna.....	2-151, 5-3	60193173 Power Line.....	5-7
60090897 Swerve Corner.....	2-141	60197034 Cluster Fixed Lace.....	5-5
60091160 In-cylinder sealing component of Grease.....	3-11	60197545 Oil Seal.....	2-15
60091161 In-cylinder sealing component of tension.....	3-11	60199495 Sealing Strip.....	3-19
60091756 Oil Plug.....	2-25, 2-27, 2-29, 2-31	60202078 Cluster Fixed Lace.....	5-5
60091757 Oil Plug.....	2-19, 2-21, 2-27, 2-29, 2-33, 2-35	60202886 Clamp.....	2-51
60091759 Oil Plug.....	2-25, 2-27, 2-33, 2-35	60205002 Radio.....	5-3
60100470 Cover.....	2-33	60205580 Check Valve.....	2-9
60100492 Throttle Valve.....	2-25, 2-33	60205581 Check Valve.....	2-9
60100511 Nameplate.....	2-13, 2-33	60211330 Filter.....	2-125
60100512 Socket Head Cap Screws.....	2-33	60211508 Knob Switch.....	5-3
60101256 Filter, Oil Return.....	2-39	60212661 Damping pad.....	2-43
60101815 reducer assembly.....	3-5	60213359 Drainage Pipe.....	2-187
60107456 Handspike of Door Lock.....	2-157	60214001 Pilot-control Valve.....	2-69
60107458 Handspike of Door Lock.....	2-157	60219320 Clamp.....	2-45
60110070 Track nut LM175M16B.....	3-15	60221657 O-ring.....	2-75
60114798 Pressure Sensor.....	2-87	60222385 plate.....	2-77
60114799 Pressure Sensor.....	2-125	60222386 Sealing cover.....	2-77
60123424 Manual Commutating Valve.....	2-107	60222546 Converter.....	5-3
60125194 Valve Proportional Reducins.....	2-17	60222807 Charger.....	5-3
60128881 Scrape.....	2-155	60231888 Rubber Hose.....	2-5
60128882 Climb Slope.....	2-155	60232826 Working Lamp.....	5-3
60128883 Moto.....	2-155	60233820 Radiator.....	2-45
		60235352 Oil suction filter.....	2-39
		60235641 Rubber hose.....	2-5
		60235886 outer handrail.....	2-135
		60235887 sliding window of door.....	2-157

60235889 front upper glass	2-159	60254406 SCREW SET	2-13
60235890 front lower glass	2-141	60254407 PUMP GEAR	2-13
60235894 right glass	2-131	60254408 ASSEMBLY PISTON	2-13
60235897 top inner plaque	2-145	60254409 ASSEMBLY CYLINDER(R)	2-15
60236761 rubber hose	2-113	60254410 ASSEMBLY CYLINDER(L)	2-15
60237031 Breather Valve	2-7	60254411 ASSEMBLY SWASH PLATE	2-13
60237072 Valve Body	2-73	60254412 Assembly til ting pin	2-13
60237073 Screw	2-71	60254413 ASSEMBLY REGYLATOR	2-17
60237074 Platen	2-71	60254414 ASSEMBLY REGYLATOR	2-17
60237075 Mounting Plate	2-71	60256188 Fire Extinguisher	2-145
60237077 Ball	2-73	60259235 expansion tank	2-45
60237078 Screw	2-71	60259939 rubber hose	4-9
60237080 Spring Seat	2-75	60263651 Shock Pad	2-43
60237082 Set Screw	2-71	60265303 Accumulator	2-105
60237083 Guard	2-71	60266022 Plunger Pump Repair Kit	2-17
60237492 Engine	2-41	60266849 rubber hose	2-5
60238725 Air floor	2-133	60266851 rubber hose	2-5
60238783 Washer	2-57, 2-171, 2-177	60266852 rubber hose	2-5
60240502 Hose clamp	2-45	60266853 rubber hose	2-125
60240503 Clamp	2-45, 2-51	60269357 pre-separation	2-53
60240844 Control Panel	2-187	60273523 Valve Housing	2-75
60241902 Horn	5-3	60273524 Plug	2-75
60242011 Damper	2-167	60273525 Seat	2-75
60245332 Coupling	2-43	60273526 Ball	2-75
60246488 High pressure ball valve	2-7	60273527 Plunger	2-73
60247936 Pilot Valve	2-67	60273528 Spool	2-75
60249042 Sliding shaft sleeve	4-13, 4-19	60275557 Reservoir-HVAC Hose	2-187
60249046 Sliding shaft sleeve	4-15	60279419 rubber hose	2-7
60249056 C-Shaft Sleeve	4-13, 4-19	60282117 Fuel Filter Core	7-3
60249819 Screw	2-7	60284427 Lift Popet	2-35
60250668 Pressure Plate	2-187	60286413 Radiator	2-49
60250669 Outer Air Filter	2-187	60286414 Radiator	2-49
60250940 Fule Filter	2-57	60286415 Radiator	2-49
60251677 Multi-way valve	2-5	60286688 spring cover	2-19, 2-21, 2-23, 2-25
60254371 SHAFT(F) DRIVE	2-15	60286689 spool cover	2-25, 2-27, 2-29, 2-31, 2-33, 2-35
60254372 SHAFT(R) DRIVE	2-13	60286690 lock valve selector assembly	2-35
60254373 GEAR	2-15	60286691 logic control valve assembly	2-25, 2-31, 2-33
60254374 BEARING ROLLER	2-13	60286695 plug	2-21
60254375 BEARING NEEDLE	2-15	60286700 arm2 spool	2-23
60254376 BLOCK CYLINDER	2-15	60286703 option spool	2-21
60254377 PISTON	2-13	60286704 bypass cut spool	2-23, 2-25
60254378 PLATE SET	2-13	60286706 spring	2-19, 2-21
60254379 BUSH SPHERICAL	2-15	60286707 spring	2-21, 2-23, 2-25
60254380 PLATE SHOE	2-13	60286708 spring	2-19
60254381 PLATE SWASH	2-13	60286709 spring	2-19
60254382 SUPPORT S.P	2-13	60286710 spring seat	2-19, 2-21, 2-23, 2-25
60254383 PIN LOCK	2-13	60286711 spacer bolt	2-19, 2-21, 2-23, 2-25
60254384 COVER(F) SEAL	2-15	60286712 stopper	2-19, 2-21, 2-23, 2-25
60254388 Plate(r) valve	2-15	60286713 spring seat	2-35
60254389 PLATE(L) VALVE	2-15	60287017 Bumper Sleeve	4-13, 4-19
60254390 SCREW	2-13	60287018 Piston	4-13, 4-19
60254391 SCREW	2-13	60287019 Nut	4-13, 4-19
60254392 SCREW	2-15	60290358 Body	2-79
60254393 SCREW	2-15	60290359 Valve Pocket	2-79
60254394 PIN TILTING	2-13	60290360 Spool	2-79
60254395 PISTON SERVO	2-13	60290361 Spring Washer	2-79
60254396 PLUG Qmin	2-13	60290362 Spring	2-79
60254397 STOPPER(L)	2-13	60290363 Spring	2-79
60254398 STOPPER(S)	2-13	60290364 Seat	2-79
60254404 RING BACI UP	2-13		
60254405 NUT	2-13		

60290367 Piston Rod	2-79	60357403 Pilot lock group	2-165
60290368 Copper Sleeve	2-79	60357405 Sunroof assembly	2-131
60290370 Pin	2-79	60358261 Speaker	2-147, 5-3
60290371 Seat	2-79	60358300 Pvc Electric Tape	5-3
60290372 Swing Holder	2-79	61000961 Air suspension seat	2-163
60290373 Screw	2-79	61009897 Expansion tank	2-47
60290374 Joystick ASSY	2-79	61022402 Master Switch of Power Supply	5-7
60290375 Dust Cover	2-79	61031639 Engine Oil Rubber Hose	2-57
60290376 Screw	2-79	A210110000014 Bolt	2-7
60290377 Cap	2-79	A210110000030 Bolt	4-13, 4-19
60291704 Plunger Pump	2-5	A210110000233 Bolt	3-17
60295017 Multi-way valve repairing kit	4-13, 4-19	A210110000234 Bolt	3-7, 4-7
60295053 Graphite liner copper sleeve	4-13, 4-19	A210110000281 Bolt	3-5
60306314 Motor assy	3-13	A210110000352 Bolt	4-3, 4-7
60306389 Reduction gear assembly	3-13	A210110000448 Bolt M27×240Gb5782 Grade 10.9	2-3
60307172 Fuel Filter Assembly	2-57	A210111000012 Bolt	2-57, 2-161, 2-169, 2-177, 2-185, 3-3, 5-5
60307173 Fuel Filter	7-3	A210111000024 Bolt	2-167
60307519 CASING	2-33, 2-35	A210111000028 Bolt	4-17
60307520 logic poppet assembly	2-25, 2-33	A210111000036 Bolt	2-137
60307521 logic poppet assembly	2-31, 2-33	A210111000037 Bolt	2-157
60307522 arm regeneration cut valve assembly	2-33	A210111000053 Bolt	3-5
60307523 travel spool	2-19	A210111000063 Bolt	3-17
60307524 arm1 spool assembly	2-23	A210111000078 Bolt	2-67
60307525 boom1 spool assembly	2-21	A210111000080 Bolt	2-57, 2-141
60307526 bucket regeneration spool assembly	2-21	A210111000081 Bolt	2-187
60307527 swing spool	2-19	A210111000082 Bolt	2-187
60307528 boom2 spool	2-21	A210111000089 Bolt	2-131
60307529 straight travel spool assembly	2-19	A210111000090 Bolt	2-63, 2-133, 2-163
60307530 PORRET	2-33	A210111000097 Bolt	2-5, 2-187
60307531 STEEL BALL	2-29	A210111000101 Bolt	2-39, 2-51, 2-57, 5-5
60307532 Spring Seat	2-29	A210111000103 Bolt	4-9
60307533 Main relief valve assembly	2-33	A210111000106 Bolt	2-7, 3-5
60307534 port relief valve assembly	2-29, 2-31, 2-33, 2-35	A210111000195 Bolt	2-129, 2-167
60308316 cab door assem	2-131	A210111000197 Bolt	2-67, 2-163
60311647 Bucket Cylinder Repair Kit	4-15	A210111000199 Bolt	2-125, 2-129, 2-189, 2-193
60329018 (right) Boom cylinder pipe assembly B	4-13	A210111000202 Bolt	2-3, 2-125, 2-169, 2-179, 2-181, 2-195, 3-9, 4-3, 4-5
60329019 (right) Boom cylinder pipe assembly A	4-13	A210111000203 Bolt	2-45, 2-167, 2-169
60329020 (left) Boom cylinder pipe assembly b	4-19	A210111000204 Bolt	2-43
60329021 (left) Boom cylinder pipe assembly a	4-19	A210111000209 Bolt	3-9
60329022 Cylinder body	4-13, 4-19	A210111000210 Bolt	2-43
60329023 Tube collar assembly	4-13, 4-19	A210111000243 Bolt	3-3, 3-5
60331164 Foot Pilot Valve Repair Kit	2-71	A210111000263 Bolt	2-45, 3-5, 4-3
60331626 rubber hose	2-5	A210111000293 Bolt	2-51, 2-187
60331627 Hose, Rubber	2-5	A210111000301 Bolt	4-21
60337293 grease fitting	3-11	A210111000302 Bolt	2-187
60339103 main spacer	3-15	A210111000323 Bolt	2-187
60339860 Rubber hose	2-5	A210111000342 Bolt	2-161, 2-169, 2-187, 3-3
60339861 Hose	2-9	A210111000343 Bolt	2-45, 2-51, 2-163, 2-169, 2-177, 2-179, 2-181, 5-7
60348058 Cab	2-129	A210199000016 Articulated Bolt	2-57
60351138 Front window wheel	2-159	A210204000017 Screw	2-105
60351139 Front window wheel	2-159	A210204000129 Screw	2-63
60351886 Front window assembly	2-141	A210204000130 Screw	2-163, 2-171
60351887 Front window plastic handle	2-159	A210204000131 Screw	2-143, 2-187
60351888 Wiper assembly system	2-131	A210204000134 Screw	2-79
60351889 Wiper sprayer	2-155	A210204000164 Screw	2-163, 2-187, 4-13, 4-17, 4-19
60357400 Right arm rest box	2-165	A210204000172 Screw	2-163
60357401 Left arm rest box	2-165	A210204000196 Screw	2-161, 3-21



A210204000198 Screw	2-57	A210444000001 Washer	2-81, 3-3, 3-5
A210204000215 Screw	2-9, 4-9	A210444000004 Washer	2-3
A210204000220 Screw	2-107, 2-125	A210459000007 Articulated Bolt	2-59
A210204000232 Screw	2-9	A210491000007 Pin	2-177
A210204000298 Screw	4-13, 4-15, 4-19	A210491000009 Pin	2-157
A210204000312 Screw	2-7	A210491000014 Pin	2-169
A210204000334 Screw	2-45, 2-161	A210491000024 Pin	4-25
A210204000336 Screw	2-7	A210491000118 Washer	2-7, 2-43, 2-57, 3-3
A210204000337 Screw	2-7	A210491000120 Washer	2-5, 2-7, 2-45, 2-51, 2-57, 2-105
A210204000339 Screw	2-69, 4-11	A210491000121 Washer	2-7, 2-43, 2-45, 2-125, 4-9
A210204000340 Screw	2-129	A210491000132 Washer	3-3, 3-17
A210204000345 Screw	2-57	A210501000001 Pin	2-179, 2-181
A210204000354 Screw	2-5, 2-7, 2-11, 2-59, 3-5, 3-7, 4-9	A210510000007 Rivet	6-3
A210204000355 Screw	2-57, 4-9	A210609000132 O-ring	2-127
A210204000358 Screw	2-7	A210609000133 O-ring	2-127
A210204000364 Screw	2-5, 2-51	A210609000136 O-ring	4-9
A210204000477 Screw	2-57	A210609000352 O-ring	2-63, 4-7
A210208000008 Screw	3-21	A210715000008 Pipe Connector	4-9
A210208000013 Screw	2-123	A210804000002 Grease Fitting	4-15
A210210000002 Screw	2-157, 5-3	A210855000008 Throat Collar	2-45
A210210000007 Screw	2-157	A210855000052 T-clamp	2-5
A210210000008 Screw	2-157	A220700000028 Condenser	2-187
A210210000010 Screw	2-137, 2-149, 2-163	A222100000119 Pilot Hydraulic Oil Filter	2-127
A210210000023 Screw	2-135, 2-149	A222200000012 Door Lock	2-177, 2-179, 2-181
A210210000027 Screw	2-129, 2-141	A222200000065 Machine Shed Lock Assembly	2-169
A210210000030 Screw	2-161, 5-3	A222200000147 Door lock assembly	2-157
A210211000007 Screw	2-139	EMC0711.01	2-157
A210211000010 Screw	2-141	A222200000148 Window Lock	2-133
A210241000001 Screw	2-123	A222200000149 Door Latch	2-133
A210307000002 Nut	2-81, 3-9	A222200000150 Front Window Rear Locker	2-141
A210307000012 Nut	2-79, 2-163, 2-177	Ningbo	2-139
A210307000015 Nut	2-79	A222200000153 Window Lock	2-139
A210307000017 Nut	2-131	A229900000113 Reservoir, Windshield	2-155
A210307000025 Nut	4-13, 4-19	Washer	2-155
A210307000028 Nut	2-43, 2-57, 2-167	A2299000001345 Clamp	2-45, 2-57
A210307000029 Nut	3-7, 4-3, 4-7	A2299000001347 Hose Hoop	2-51
A210307000031 Nut	2-51, 2-179, 2-181	A2299000001581 O-ring	2-67
A210307000036 Nut	2-105, 2-161, 2-173, 2-179, 2-181, 3-7, 4-13, 4-19	A2299000001659 T-bolt Clamp	2-51
A210307000055 Nut	2-5, 2-7, 2-51, 2-107	A2299000002222 T-type Clamp	2-51
A210400000001 Washer	4-13, 4-19	A2299000002263 Clamp, T-type	2-53
A210401000002 Washer	2-157	A2299000002860 Door catch 20Y-54-35690	2-157
A210401000003 Washer	4-13, 4-19	A2299000003178 Carriage Lamp Cemc0502.8	2-147, 2-149
A210401000013 Washer	2-149	20	2-147, 2-149
A210401000016 Washer	2-157	A2299000003759 T-type Clamp	2-51
A210401000017 Washer	2-131	A2299000003764 24V Cigaretter Lighter	2-153
A210404000005 Washer	2-131	A2299000003874 Pipe connector	2-67
A210404000009 Washer	2-141	A2299000004513 Hoop	2-45
A210405000001 Washer	2-3, 2-157	A2299000004514 Lock	2-45
A210405000004 Washer	2-149	A2299000004566 Pipe Clamp	2-9
A210405000005 Washer	2-157	A2299000006067 T-clamp	2-51
A210405000006 Washer	2-149, 2-157	A2299000007130 right plate	4-21
A210405000007 Washer	2-157	A2299000007131 left plate	4-21
A210407000005 Washer	2-123	A2299000007792 Left armrest box assembly	2-163
A210417000075 Retainer Ring	3-21	A2299000008229 Side Fixed Block 85×20×28	2-143
A210417000103 Retainer Ring	3-21	A2299000008230 Right Lower Fixed Block	2-143
A210434000005 Washer	4-11	70×20×23	2-143
A210434000007 Washer	2-59, 4-11	A2299000008231 Left Lower Fixed Block	2-143
A210434000008 Washer	2-57	70×20×23	2-143
A210434000011 Washer	3-21	A2299000008232 Spring Balancer	2-141

A229900008233 Right Limit Block of Guide Rail Emc0711.....	2-141	A820199000360 Pt Block.....	2-69
A229900008235 Left Limit Block of Guide Rail Emc0711.0.....	2-141	A820201000692 Oil Return Cover.....	2-39
A229900008238 Assembly Of Front Lower Glass Handle Ф3.....	2-141	A820202005379 Bushing.....	4-23
A229900008575 Outer Handle Assembly Of Door Lock (Mode.....	2-157	A820202005382 Pin.....	4-3
A229900008784 Reservoir Bracket.....	2-187	A820205000836 Connector.....	2-67
A229900010158 Oil Cup.....	3-21	A820205000837 M24-M30Joint.....	2-67
A229900010405 Leading wheel 203-30-56100H ..	3-3	A820205000858 Fitting.....	4-11
A229900010630 Foot Blowing Air Duct.....	2-129	A820205000894 Fitting.....	2-67
A229900010718 rotary joint.....	3-7	A820205000941 Connector, Straight.....	2-125
A230101000243 O-ring.....	2-67	A820205000942 Fitting.....	2-57
A230101000247 O-ring.....	2-67, 2-69	A820205000947 Plug.....	2-5, 2-83, 2-105
A230106000307 Triangular Belt.....	2-187	A820205000948 Connector.....	2-109
A239900000053 Nylon Strap.....	2-189, 5-3	A820205000955 Square Connector.....	3-17
A239900000065 Nylon Belting.....	2-69	A820205000961 Connector.....	2-5, 2-105
A241100000547 Alarm Light.....	5-3	A820205001061 Pressure Sensor Connector.....	2-87
A241200001217 Ignition Switch.....	5-3	A820205001235 Connector.....	4-11
A241300000016 Fuse.....	7-3	A820205001771 Plug.....	2-95
A241300000017 Fuse.....	7-3	A820205002280 Connector.....	2-11
A241300000018 Fuse.....	7-3	A820205002283 Connector.....	2-5
A241300000019 Fuse.....	7-3	A820205002468 Connector.....	2-11
A241300000059 Fuse Housing.....	5-7	A820205002472 Connector.....	2-4-9
A250100000174 Liquid Level Thermometer.....	2-39	A820205002473 Connector.....	2-9, 2-11, 3-7, 4-9
A290000002193 Lock, Door.....	2-63	A820205002474 Fitting.....	2-11
A290000002660 Nozzle Universal Protective Cap.....	3-21	A820301012418 Pin.....	3-17
A313041602516 Screw.....	2-7	A820301015908 Double-threaded Stud.....	2-173
A313180502003 Screw.....	2-151	A820301017374 U-Bolt.....	2-7
A313251202803 Screw.....	2-141	A820601000014 Control Indicating Board of Bulldozing Shovel.....	6-3
A810102023065 Bracket, pilot filter.....	2-125	A820601990304 Flange.....	2-67
A810201073015 Lever, control.....	2-161	A820601990336 Bellows.....	2-67
A810312019061 Rigid Board.....	3-9, 4-3, 4-5	A820601990927 Decal, Unlock.....	6-5
A810312019062 Shim.....	4-7	A820601990929 Decal, Drain, Fuel Tank.....	6-3
A810312019067 Sleeve, fixing.....	4-3	A820601990969 Decal, Emergency Exit.....	6-3
A810312110107 Pin.....	4-5	A820601990972 Decal, Power Supply.....	6-3
A810312110108 Pin.....	3-9, 4-3, 4-5	A820606020170 Rubber Mat.....	3-7
A810312110110 Pin.....	4-7	A820606020243 Battery rubber pad.....	2-173
A810312110111 Pin.....	4-7	A820606020616 Suction hose.....	2-5
A810312110112 Pin.....	4-7	A820606020626 Water Plastic Tube.....	2-51
A810312110116 Lock pin.....	4-3	A820606030056 Grommet.....	2-167
A810312990208 Shim.....	4-5, 4-7	A820606030364 Gasket.....	2-3
A810312990209 Shim.....	4-5, 4-7	A820606030559 Buffer Pad.....	2-177
A810401990268 Slewing ring AS.....	3-7	A820606030643 Rubber Pad.....	2-173
A810502019056 Set Screw.....	2-179, 2-181	A820606030918 Protective sleeve.....	3-5
A810502990125 Lever.....	2-177	A820699000369 Tape, Anti-skid, Long.....	6-3
A810599001056 hand rail.....	2-169	A820699000370 Tape, Anti-skid, Short.....	6-3
A820101117871 Cover.....	2-3	A820699001018 Forward Direction Indication.....	6-5
A820101210192 Sealing Plate.....	3-7	A820699001109 Decal, Power Socket.....	6-3
A820101210711 Washer.....	2-3	A8312111095000 Hose AS.....	2-67, 2-69
A820101210712 Washer.....	2-3	A831211120000 Hose Assembly.....	2-67, 2-89
A820101322531 Lamp Bracket.....	4-3	A880899010002 Fitting, Grease.....	4-13, 4-19
A820101327187 shim.....	2-3	A880899030000 Steel Ball.....	3-21
A820101344841 pipe nip.....	2-7	B210334000015 Nut.....	4-11
A820101344842 Clamp, pipe.....	4-9	B210399000001 Screw Plug.....	2-127
A820101344863 Side Cover.....	3-5	B210770000085 Pipe connector.....	4-11
A820101345161 pipe nip.....	4-11	B210780000007 Split Flange.....	2-7, 2-11
A820102010428 Seal Gasket.....	3-17	B210780000016 Fitting, Tee.....	2-105, 2-125
A820102010793 Shim.....	3-9, 4-3	B210780000017 Three Way Combination Joint.....	3-7
		B210780000024 Fitting, Elbow.....	2-5, 2-67, 2-69, 2-105, 2-125
		B210780000025 Fitting, Elbow.....	3-7
		B210780000028 Elbow Combination Fitting.....	2-9



B210780000029 Fitting, Elbow.....	2-7, 4-9	B230103000939 Rubber Hose .....	3-7
B210780000030 Fitting, Elbow.....	2-9	B230103000950 Rubber Hose .....	2-9
B210780000170 Three Way Combination Joint.....	2-67, 2-69, 2-83, 2-85, 2-87, 2-95, 2-97	B230103000952 Hose .....	2-7
B210780000172 Fitting.....	2-95, 2-97, 3-7	B230103000982 Hose .....	2-69, 2-89
B210780000176 Fitting.....	2-107	B230103000983 Hose Assembly.....	2-91
B210780000413 Tee Joint .....	3-7	B230103000985 Hose Assembly.....	2-69, 2-117
B210780000418 Fitting, Elbow.....	2-67, 2-69, 2-83, 2-85, 2-87, 2-95, 2-97, 2-105, 2-107, 2-109, 2-115, 2-125	B230103000988 Hose .....	2-69
B210780000696 Split Flange .....	2-5, 2-11, 3-7, 4-9	B230103000995 Hose .....	4-9
B210780000827 Connector Pipe.....	2-105, 2-125	B230103001005 Hose Assembly.....	2-5
B210780000838 Fitting, Elbow.....	2-7	B230103001358 Hose .....	2-67
B210780000902 Screw Plug.....	4-9	B230103001376 Rubber Hose .....	2-101
B210780000904 Nut.....	4-9	B230103001434 Hose .....	2-69, 2-93
B210780001045 Fitting.....	2-87, 2-95	B230103001466 Hose AS.....	2-103
B210780001310 Fitting, Elbow.....	2-5, 2-7	B230103001633 Hose AS.....	2-93, 2-99
B210780001363 Fitting, Tee .....	2-109	B230103001782 Rubber Hose .....	2-7
B210840000021 Pipe Clamp.....	2-51	B230103001947 Hose .....	2-101
B220201000027 the radiator of fuel .....	2-49	B230103002001 Hose AS.....	2-67
B220203000007 Compressor.....	2-187	B230103002256 Hose .....	2-5
B220400000169 Valve, Shuttle, Tee ...	2-69, 2-87, 2-95	B230103002263 Hose ASSY .....	2-69, 2-93
B222100000201 Fuel Filter (Excavator) .....	2-63	B230103002264 Rubber Hose .....	2-89
B222100000458 Air cleaner.....	2-51	B230103002268 Hose .....	2-101
B222100000494 Oil Filter .....	7-3	B230103002291 Hose .....	2-69
B222100000500 Filter Core, Main, Air Filter .....	2-55, 7-3	B230103002343 Hose .....	2-69
B222100000501 Filter Core, Safety, Air Filter .....	2-55	B230103002543 Hose .....	2-125
B222100000560 Oil Filter .....	2-57	B230103002705 hose .....	2-67
B229900000244 Cab Shock Absorber .....	2-167	B230103002722 Hose .....	2-67, 2-91, 2-93, 2-117
B229900000245 Cab Shock Absorber .....	2-167	B230103002878 Rubber hose.....	2-115
B229900000494 Seat Lock Rod .....	2-163	B230103003627 Rubber Hose .....	2-5
B229900000686 Grease Joint.....	3-9, 3-17, 4-3, 4-5, 4-7, 4-11	B230103003807 Rubber hose 4SH20-DKOS-1500 (with 1.2m s .....	4-9
B229900002663 Supercharging-exhaust tube washer .....	2-51	B230103004072 Rubber Hose .....	2-113
B229900002718 Reducer assembly .....	2-5	B230103004256 Hose AS.....	2-67
B229900003909 Sensor adaptor of air cleaner ...	2-51	B230103004282 Rubber Hose .....	2-99
B229900005141 Reservoir .....	2-187	B230103004528 Hose .....	2-115
B230101000038 O-ring .....	2-9	B230103004777 Rubber Hose .....	2-9
B230101000047 O-ring .....	2-67, 2-95, 2-97, 2-105, 2-109, 2-111, 2-125, 3-7	B230103005361 Hose Assembly.....	4-11
B230101000049 O-ring .....	2-5, 2-83, 2-85, 2-87, 2-95, 2-97, 2-105, 2-109	B230103005402 Rubber Hose .....	3-7
B230101000050 O-ring .....	2-11	B230103005403 Hose .....	2-119
B230101000090 O-ring .....	2-11, 2-111, 2-125, 3-7, 4-9	B230103005488 Hose .....	2-91, 2-99
B230101000091 Ring.....	2-7	B230103005498 Hose .....	2-99
B230101000356 O-ring ...	2-9, 2-11, 2-39, 2-57, 3-7, 4-9	B230103005598 Rubber Hose .....	4-9
B230101000366 O-ring .....	2-9	B230103005693 Rubber hose .....	2-9
B230101000457 O-ring .....	2-63	B230103005717 Rubber Hose .....	2-5
B230101000588 O-ring .....	2-39	B230103006440 Rubber Hose .....	2-5
B230101000641 O-ring .....	2-123	B230103006441 Rubber hose.....	2-5
B230101000676 O-ring .....	2-123	B230103007775 Rubber Hose .....	2-5
B230101001123 Dust Ring .....	4-7	B230103008478 Hose Assembly.....	2-67, 2-69
B230101001124 Dust Ring .....	4-5, 4-7	B240600000334 Sunlight Sensor .....	2-189
B230101001126 oil seal.....	3-9, 4-3	B240700000250 Intermediate Relay .....	5-3
B230103000282 Rubber Hose .....	3-7	B240700000472 Intermediate Relay .....	2-187
B230103000602 Rubber Hose .....	2-125	B240700000473 Intermediate Relay .....	2-189
B230103000811 Hose .....	2-115	SSY004649103 Bulldozing shovel .....	3-9
B230103000822 Hose .....	2-101, 2-103	SSY004726160 Connecting Rod .....	4-7
B230103000897 Rubber hose.....	2-67	SSY004756970 pin .....	4-3
B230103000907 Hose Assembly.....	2-89, 2-91	SSY004757012 plate.....	4-3, 4-7
		SSY004835006 fasten part .....	4-25
		SSY004835007 fasten component .....	4-3
		SSY004987485 BOOM.....	4-3
		SSY005171536 pedal.....	3-9
		SSY005414906 Mounting plate of fuel filtering....	2-57
		SSY005414921 fuel pipe .....	2-59

SSY005416222 drainage tube.....	2-59	SYG005221657 Guide Sleeve.....	3-21
---------------------------------	------	--------------------------------	------



### **Белгород**

Белгородский р-н, п. Новосадовый,  
ул. Перспективная, д.11

### **Волгоград**

Ангарская 178, 2 этаж, каб.6

### **Воронеж**

ул. Дорожная, д. 86

### **Краснодар**

Тахтамукайский район,  
пгт. Яблоновский, ул. Ленина, д.39А, оф.201

### **Липецк**

ул. Ковалева, д 123 В

### **Минеральные Воды**

ул. Советская, д. 55

### **Москва**

ул. Соколово-Мещерская, д.25, офис 304А/Б

### **Республика Крым**

г. Симферополь Московское шоссе, 11-й километр, литД, этаж 1

### **Ростов-на-Дону**

г. Батайск, Восточное шоссе, 6Д

### **Самара**

Московское шоссе 20 км (поселок Мехзавод),  
строение 33, офис 201а

### **Саратов**

1-й Усть-Курдюмский проезд, д. 2