

# Каталог запасных частей Sany SY75

**SY75C9I3H**

**Hydraulic Excavator**

---

Equipment No. SY007CCA17168



## Overview

This book provides illustrations and parts listings required to properly identify and order replaceable parts on your Sany machine.

If this book becomes damaged, lost or illegible, request a replacement copy from your Sany distributor.

In case you sell this machine, be sure to give this parts book to the new owner.

Improvements in the design may lead to changes in detail which may not be indicated in this book. Always consult your Sany distributor for the latest available information on your equipment or if you have questions regarding information in this book.

## Storing this parts book

This publication applies only to this specific machine and should not be used with any other machines.

Always keep this book available for reference.

## Contact Details

Sany Industrial Park, Economic and Technology Development Zone, Kunshan, Jiangsu, China 215300

Service Hotline: 4008 28 2318

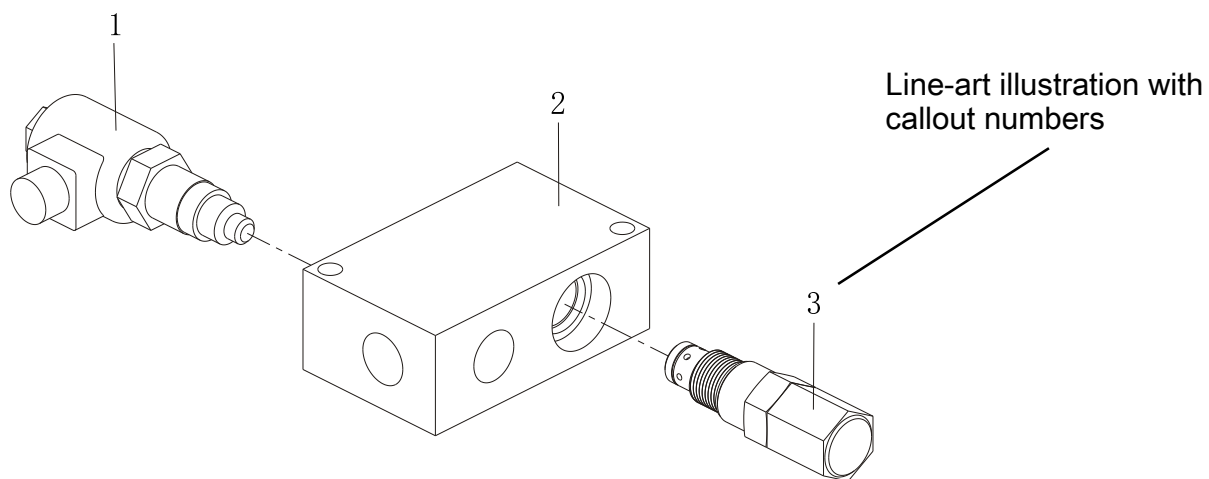
E-mail: [crd@sany.com.cn](mailto:crd@sany.com.cn)

Website: <http://www.sanyglobal.com>

## Sany Group Service Information System

<http://sis.sanygroup.com>

Page header with product name  
and machine model



Page footer with page number, parts code, and parts description



Page header with product name and machine model

Item number that matches callout numbers on previous illustration page

Remarks: for complement information of the part or assembly

Item No.	Part No.	Description	Qty.	Remarks
1	B220401000459	Valve Assembly, Solenoid	1	
2	A820103010415	Change Valve Block, Cooling Oil Motor	1	
3	B220400000083	Relief Valve	1	

Part No.: to be used along with Description to identify the part or assembly

Description: to be used along with Parts No. to identify the part or assembly

Quantity: it indicates the number of each part used in this assembly

Page footer with page number, parts code, and parts description

BLANK PAGE

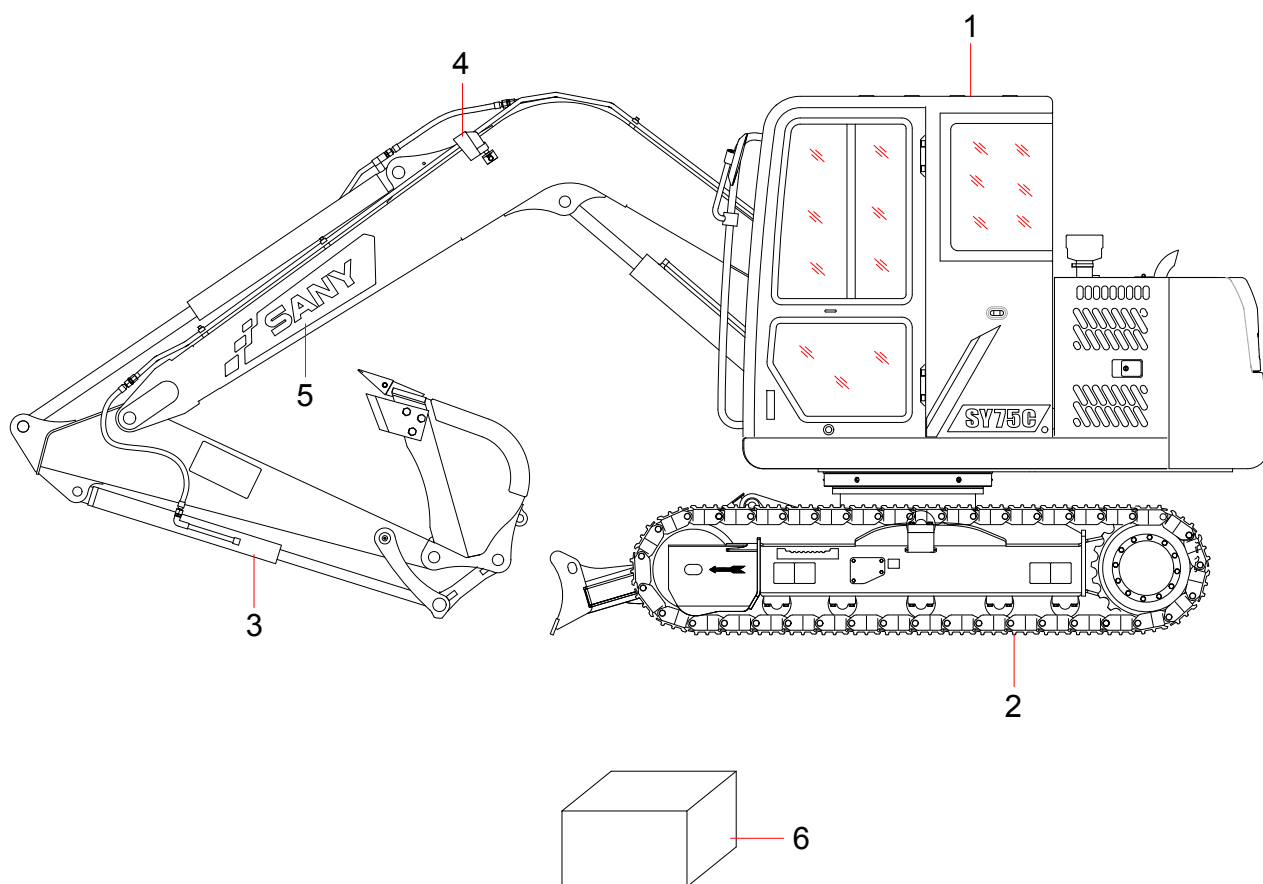
# Table of Contents

<b>Group 1 SY75C9I3H hydraulic excavator body .....</b>	<b>1-1</b>
12927106 SY75C9I3H hydraulic excavator body .....	1-2
<b>Group 2 Slewing device.....</b>	<b>2-1</b>
13066599 Slewing device.....	2-2
13061057 Hydraulic Pilot Pipeline.....	2-4
60046293 Pilot oil supplier .....	2-20
B229900000063 Filter, pilot AS .....	2-22
10585261 Right Handle Assembly .....	2-24
60225750 Pilot-control Valve .....	2-26
10585259 Left Handle Assembly.....	2-28
60247936 Pilot valve .....	2-30
60227366 Pilot-control Valve .....	2-32
11992301 Cab .....	2-38
60128283 Cab.....	2-40
12934780 Running control mechanism.....	2-60
12049398 seat and control cabinet .....	2-62
60102990 Mechanical Suspension Driver Seat .....	2-64
60106368 Left Arm Rest Box Assembly .....	2-66
60096298 Right Arm Rest Box Assembly .....	2-68
12168555 bottom board rack of cab.....	2-70
13065450 air conditioning system.....	2-72
61017350 Air Condition.....	2-74
60030991 Evaporator.....	2-76
13141699 General assembly of covering parts.....	2-78
13431952 Counterweight Assembly .....	2-82
13430600 hand rail .....	2-84
13431769 protective sleeve assembly.....	2-86
13061026 Hydraulic Main Pipeline.....	2-88
60154165 Plunger Pump .....	2-98
12158635 Hydraulic Fuel Tank Assy.....	2-104
60015195 Multi-port Valve .....	2-106
61022653 Inlet Section .....	2-108
60086264 Boom Section.....	2-110
61022640 Dozer Section .....	2-112
60086263 Bucket Section.....	2-114
60310753 Arm Section.....	2-116
60086270 Track Section .....	2-118
60086266 Aux Section .....	2-120
60310754 Slew Section .....	2-122
60133878 Reducer Assembly.....	2-124
60275189 Hydraulic Motor .....	2-126
60275188 Reduction .....	2-128
13063482 Power system .....	2-130
13063351 intake system .....	2-132

B222100000599 Air Cleaner .....	2-134
13063334 cooling system .....	2-136
60233822 radiator .43656 .....	2-138
13063372 fuel system .....	2-140
10866074 Fuel Tank Assy .....	2-144
13063244 Transmission & shock mitigation system .....	2-146
13063299 Exhaust system .....	2-148
13429925 bottom sealing board ASSY .....	2-150
<b>Group 3 travel device .....</b>	<b>3-1</b>
13648656 travel device .....	3-2
13647669 undercarriages hydraulic pipeline .....	3-8
60216387 Reducer Assembly .....	3-14
60308159 Track Motor .....	3-16
60308160 Track Reducer .....	3-20
A229900004501 SY60 central slewing adaptor 8ZWII14K2L .....	3-22
11281501 Bulldozing shovel oil cylinder .....	3-24
A229900005521 Tensioning Equipment .....	3-26
<b>Group 4 Work device .....</b>	<b>4-1</b>
13648432 Work device .....	4-2
14148515 Movable Arm .....	4-10
14148553 Bucket Arm .....	4-12
14148558 Connecting Rod .....	4-14
10468495 Bucket Assembly .....	4-16
13647670 work device tube .....	4-18
11474836 Right Boom Cylinder .....	4-20
11475722 Arm Cylinder .....	4-22
13220509 Bucket Oil Cylinder .....	4-24
SSY004676239 breaker pipeline .....	4-26
<b>Group 5 Electric system .....</b>	<b>5-1</b>
13434567 Electric system .....	5-2
13434509 Vehicle electrical assembly .....	5-4
13434483 Cab electrical assembly .....	5-8
13434455 Electrical assembly .....	5-10
<b>Group 6 Excavator coating .....</b>	<b>6-1</b>
13801620 Excavator coating .....	6-2
<b>Group 7 Attached accessories .....</b>	<b>7-1</b>
13073453 Attached accessories .....	7-2

# Group 1

# SY75C9I3H hydraulic excavator body



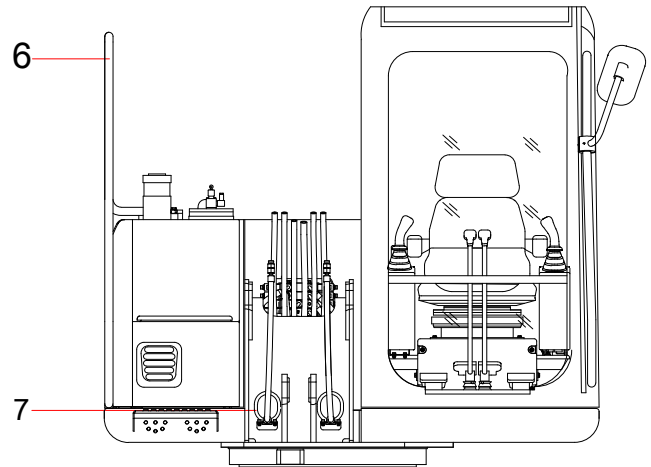
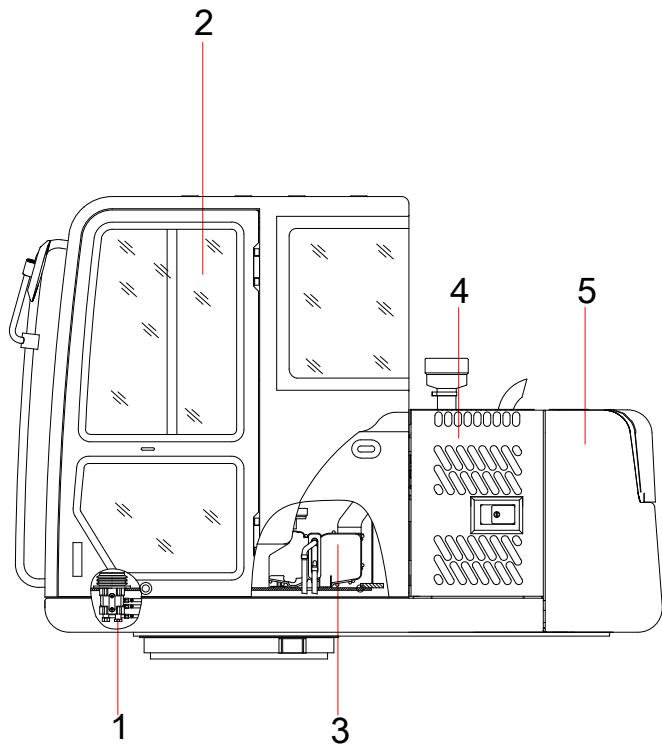
No.	Part No.	Description	Qty	Page number
1	13066599	Slewing device	1	2-2
2	13648656	travel device	1	3-2
3	13648432	Work device	1	4-2
4	13434567	Electric system	1	5-2
5	13801620	Excavator coating	1	6-2
6	13073453	Attached accessories	1	7-2

BLANK PAGE

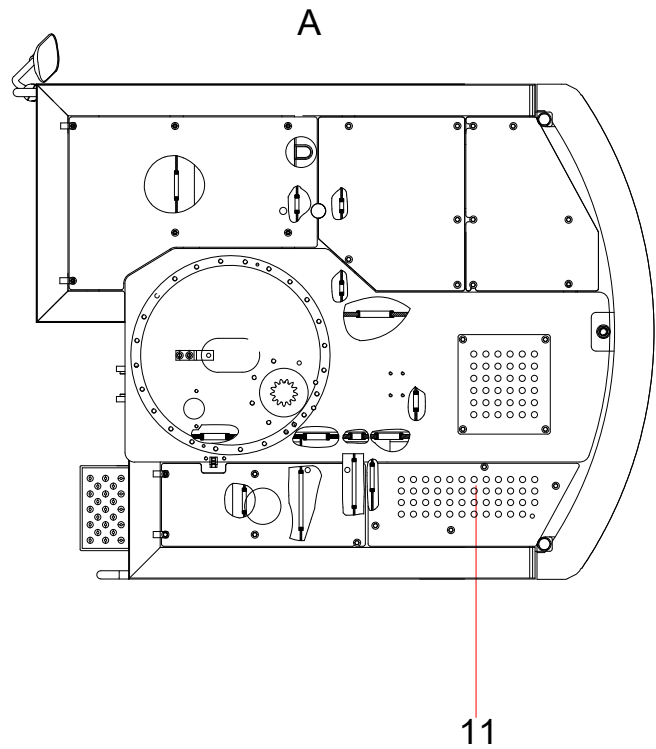
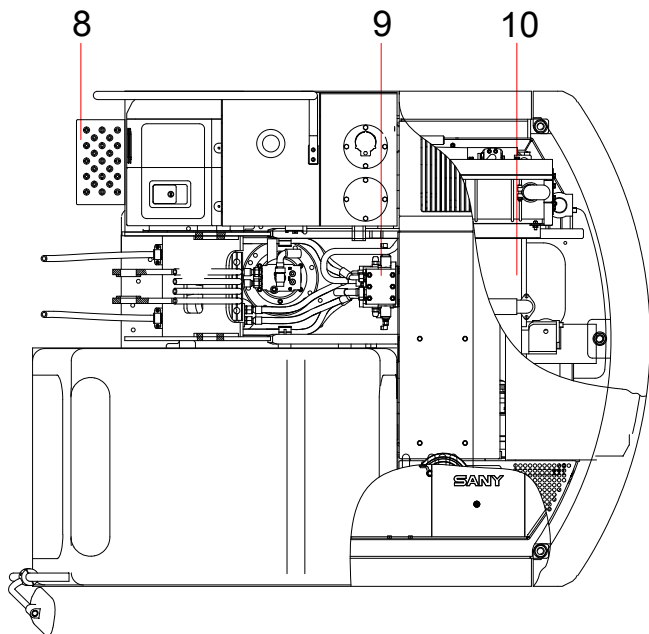


# Group 2

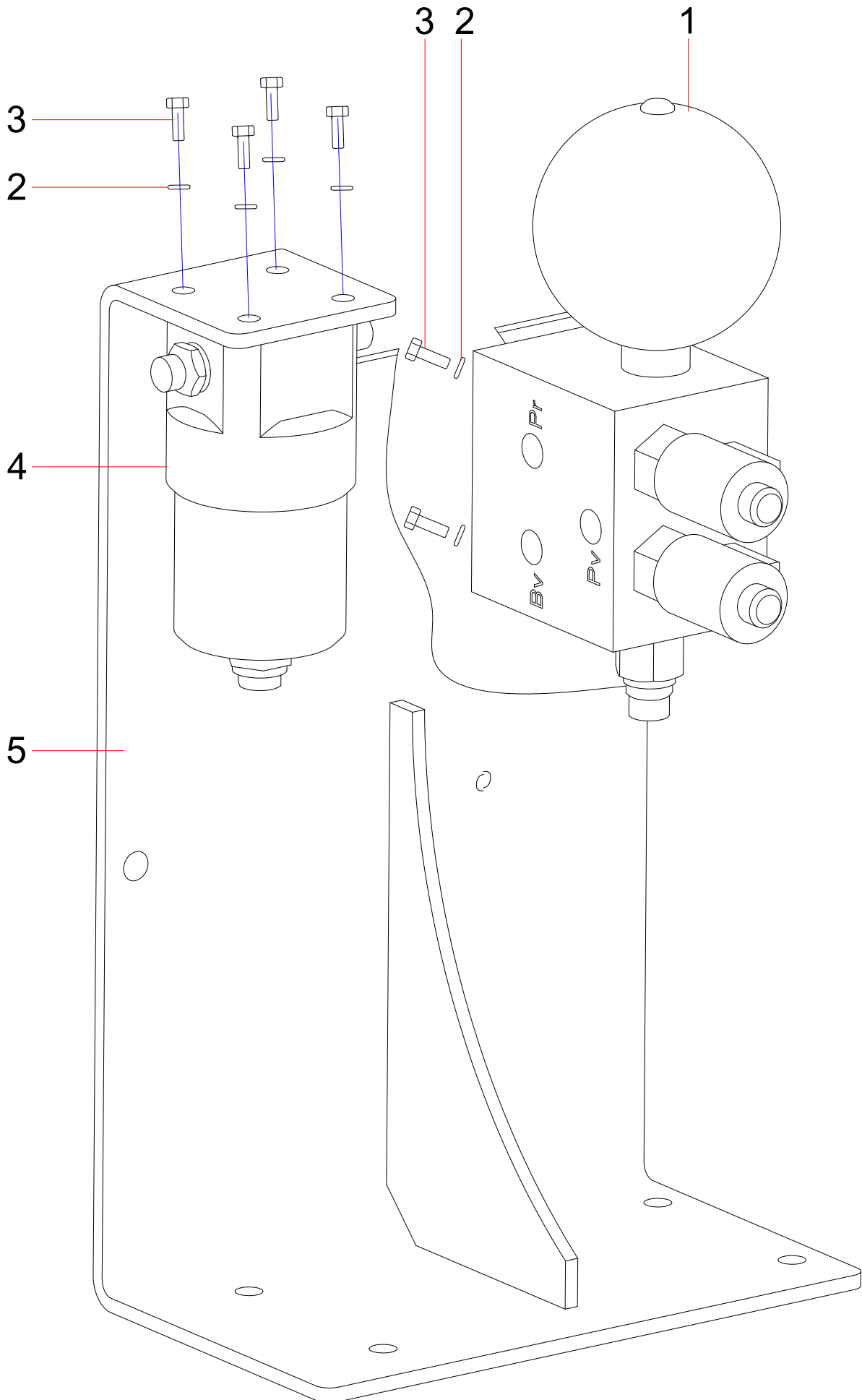
## Slewing device



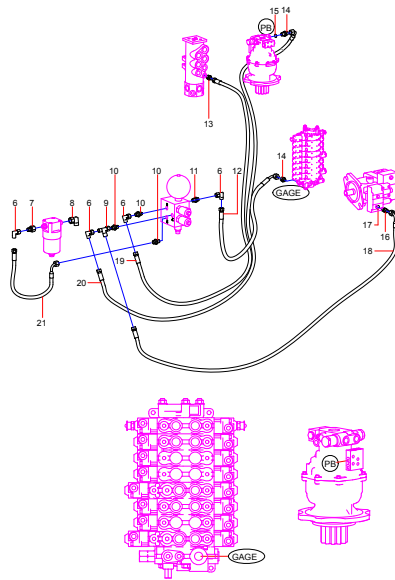
↑  
A



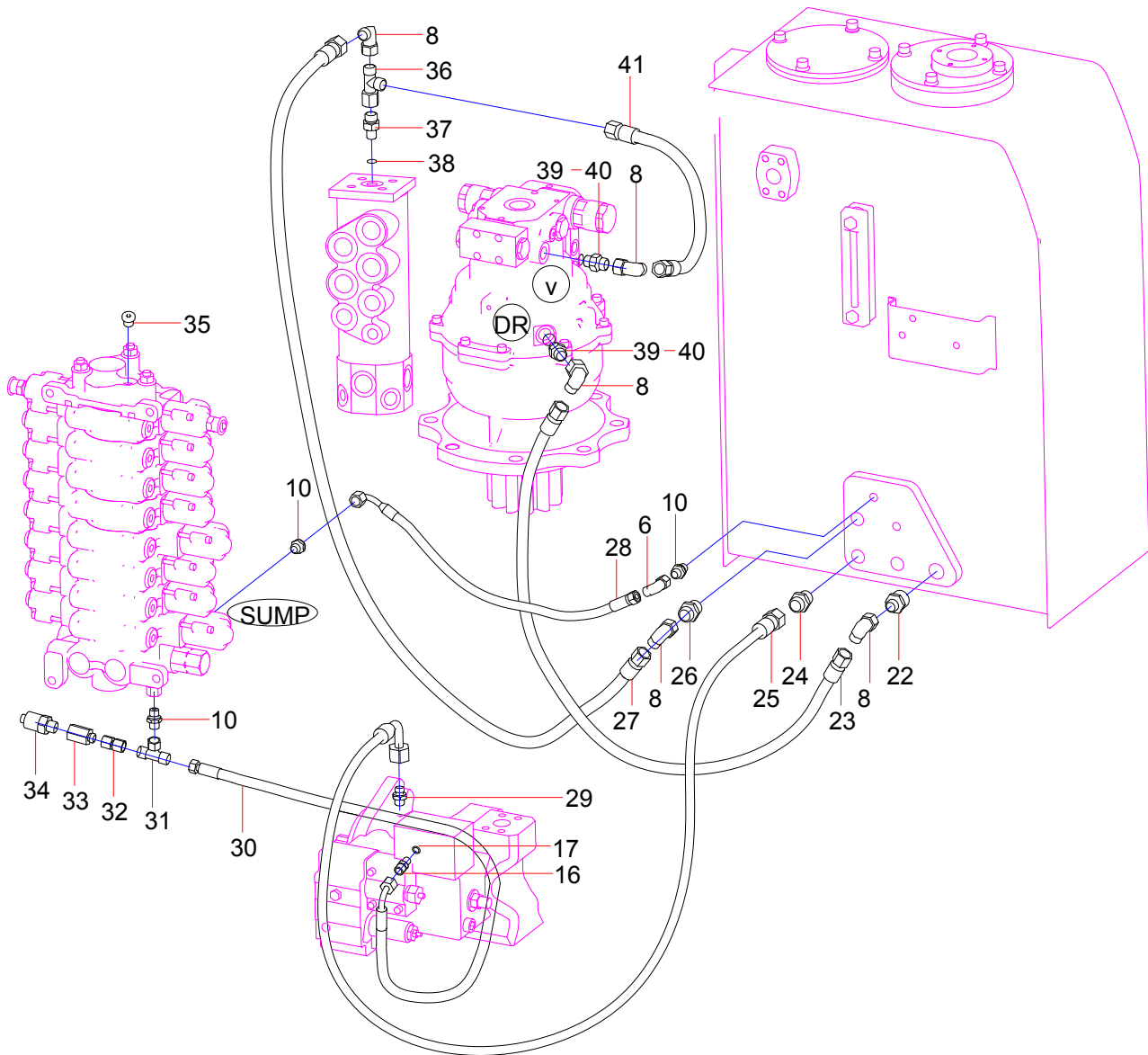
No.	Part No.	Description	Qty	Page number
1	13061057	Hydraulic Pilot Pipeline	1	2-4
2	11992301	Cab	1	2-38
3	13065450	air conditioning system	1	2-72
4	13141699	General assembly of covering parts	1	2-78
5	13431952	Counterweight Assembly	1	2-82
6	13430600	hand rail	1	2-84
7	13431769	protective sleeve assembly	1	2-86
8	13432039	Revolving Frame	1	
9	13061026	Hydraulic Main Pipeline	1	2-88
10	13063482	Power system	1	2-130
11	13429925	bottom sealing board ASSY	1	2-150



No.	Part No.	Description	Qty	Page number
1	60046293	Pilot oil supplyer	1	2-20
2	24000511	Washer	6	
3	A210111000342	Bolt	6	
4	B229900000063	Filter, pilot AS	1	2-22
5	14087638	bracket of leading valve	1	

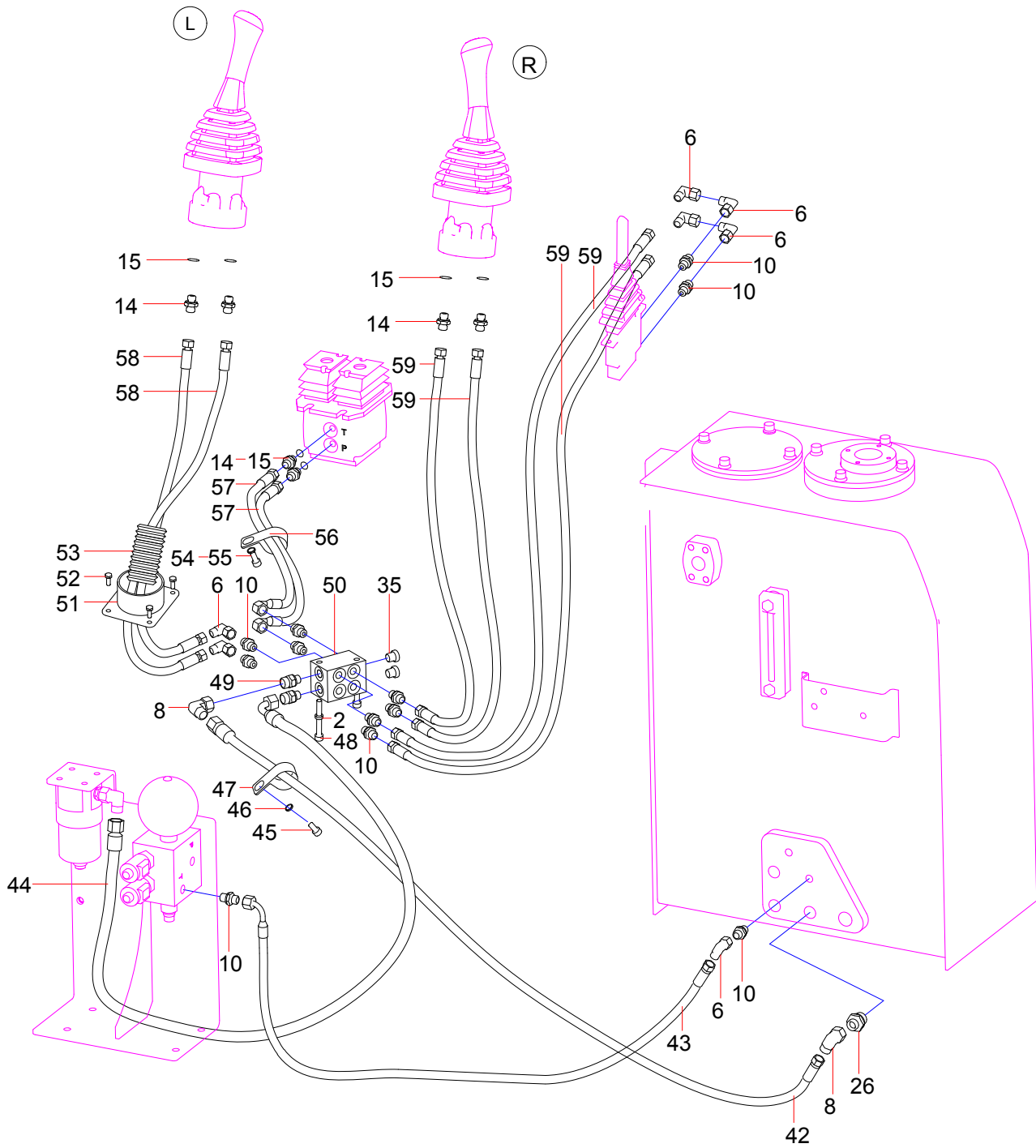


No.	Part No.	Description	Qty	Page number
6	B210780000418	Fitting, Elbow	29	
7	B210780000827	Connector, pipe	1	
8	B210780000024	Fitting, Elbow	8	
9	B210780000170	Fitting, Tee, L-shape	3	
10	B210780000176	Fitting, Adapter	35	
11	60049162	Pressure Oil Filter	1	
12	60187384	rubber hose	1	
13	60051497	Pipe Connector	1	
14	21002815	Fitting	20	
15	B230101000047	O-ring	20	
16	B210780000142	Fitting	2	
17	23001922	O-ring	2	
18	B230103005511	Rubber Hose	1	
19	61010364	Rubber Hose	1	
20	23000738	Rubber Hose	1	
21	A831213050000	Hose AS	1	

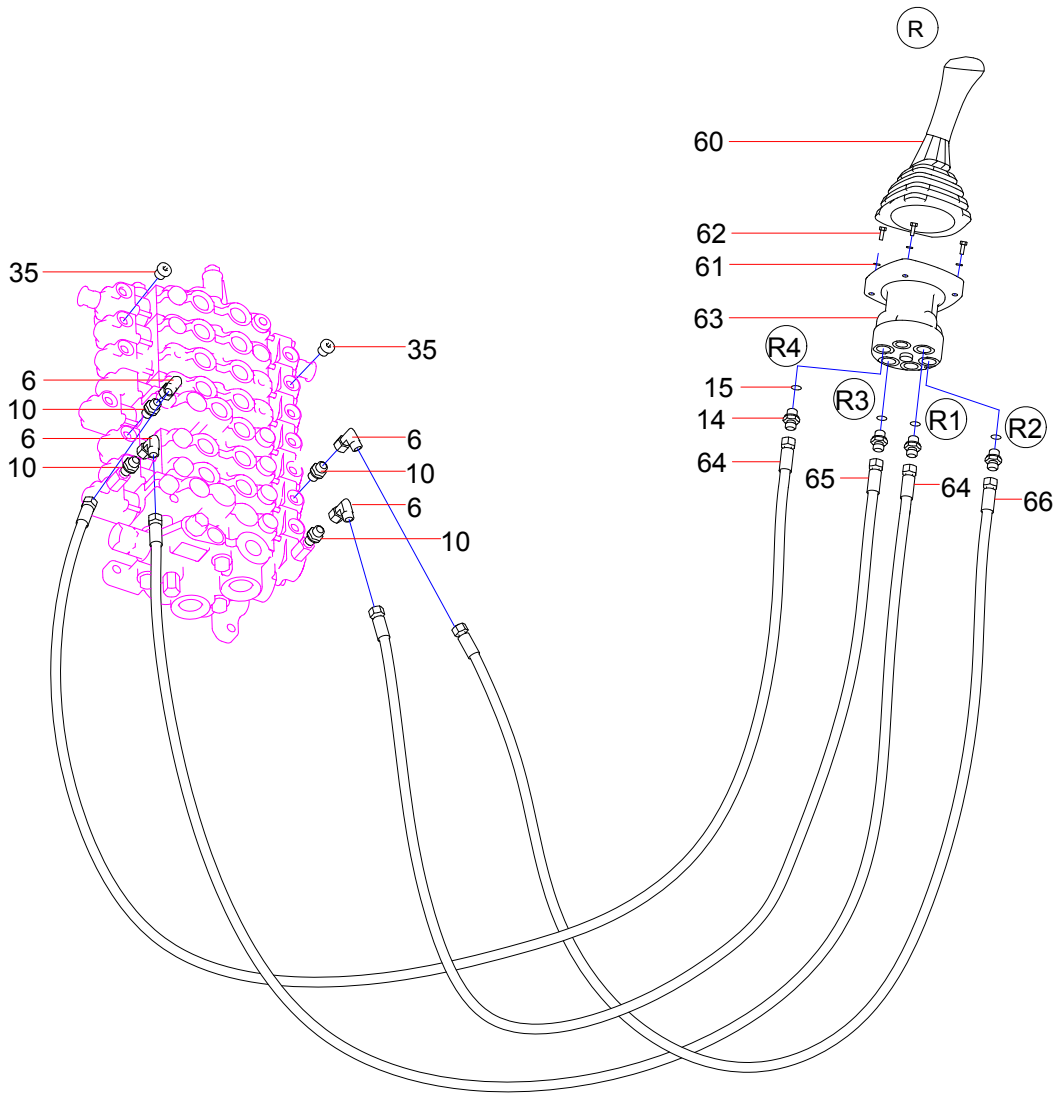




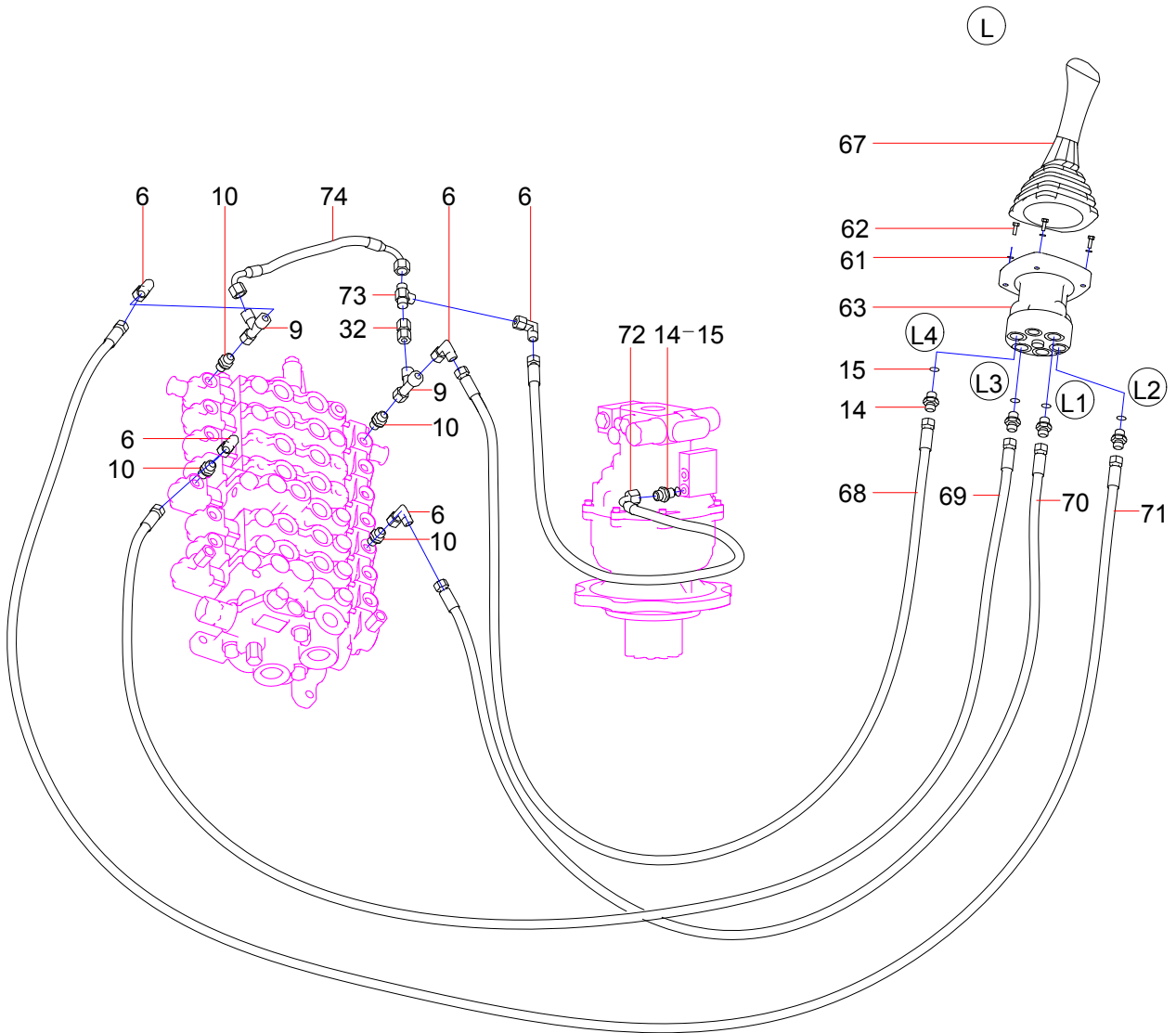
No.	Part No.	Description	Qty	Page number
6	B210780000418	Fitting, Elbow	29	
8	B210780000024	Fitting, Elbow	8	
10	B210780000176	Fitting, Adapter	35	
16	B210780000142	Fitting	2	
17	23001922	O-ring	2	
22	B210780001307	Fitting, Adapter	1	
23	B230103001744	Rubber hose	1	
24	B210780000043	Connector, Pipe	1	
25	B230103000789	Hose	1	
26	B210780000179	Fitting, Adapter	2	
27	60197249	rubber hose	1	
28	A831213073000	Rubber Hose	1	
29	24004879	Pipe connector	1	
30	B230103003777	Rubber Hose	1	
31	B210780000172	Fitting	1	
32	B210780001045	Fitting	2	
33	A820205001061	Sensor, pressure	1	
34	60114799	Pressure Sensor	1	
35	B210780000164	Screw Plug	5	
36	B210780000016	Fitting, Tee, L-Shape	1	
37	A820205000894	Fitting	1	
38	A230101000247	O-ring 10.9×2.3(JISB2401)	1	
39	A820205002389	G3/8-M18 connector	2	
40	B230101000049	O-ring	2	
41	B230103003203	Rubber hose	1	



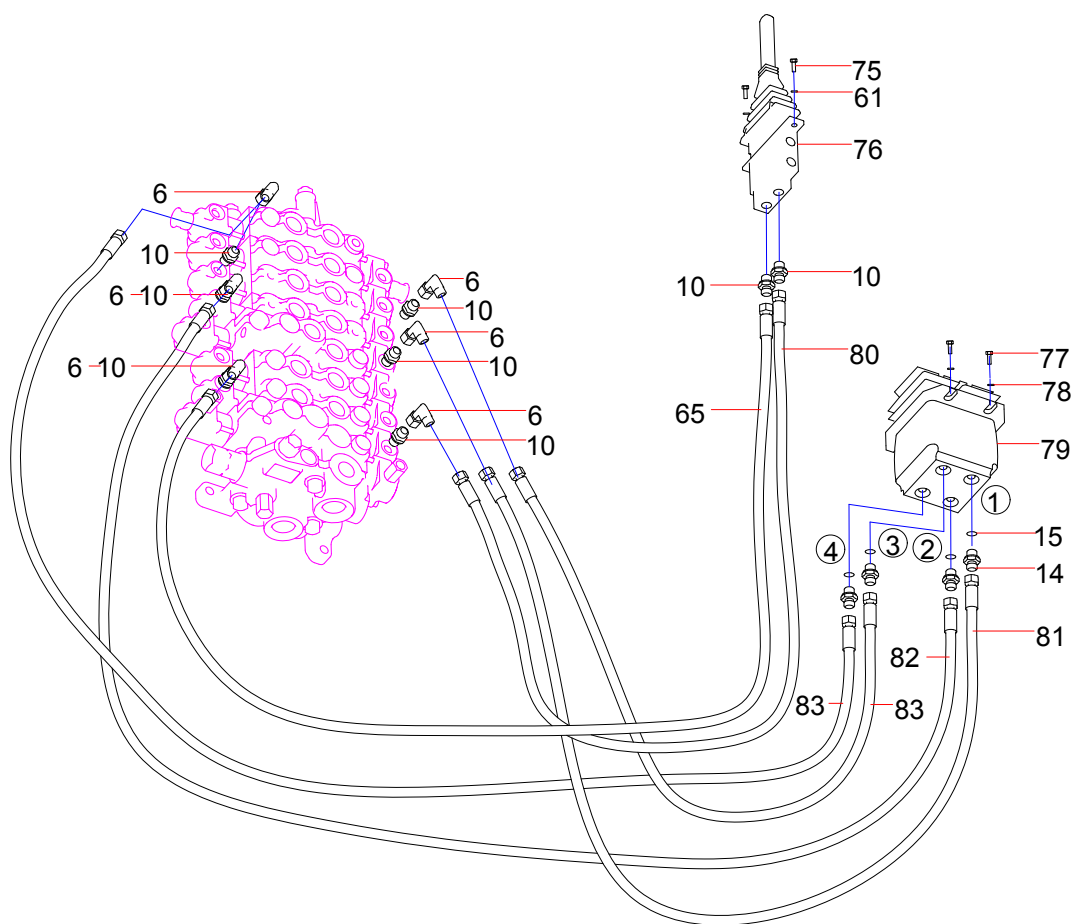
No.	Part No.	Description	Qty	Page number
2	24000511	Washer	6	
6	B210780000418	Fitting, Elbow	29	
8	B210780000024	Fitting, Elbow	8	
10	B210780000176	Fitting, Adapter	35	
14	21002815	Fitting	20	
15	B230101000047	O-ring	20	
26	B210780000179	Fitting, Adapter	2	
35	B210780000164	Screw Plug	5	
42	60154318	RubberHose	1	
43	B230103004707	Rubber Hose	1	
44	B230103002533	Rubber Hose	1	
45	A210204000334	Bolt, socket head	1	
46	A210491000120	Washer	5	
47	60086357	Clamp	1	
48	60225886	Bolt	2	
49	B210780000847	Connector, pipe	2	
50	12053111	PT Block	1	
51	A820601990304	Flange	1	
52	A210111000079	Bolt	4	
53	11082048	Corrugated Tube	1	
54	60060565	Washer	1	
55	A210204000340	Bolt, socket head	1	
56	60086355	Fixity of Line	1	
57	B230103001947	Hose	2	
58	B230103000984	Hose	2	
59	B230103000983	Hose Assembly	4	



No.	Part No.	Description	Qty	Page number
6	B210780000418	Fitting, Elbow	29	
10	B210780000176	Fitting, Adapter	35	
14	21002815	Fitting	20	
15	B230101000047	O-ring	20	
35	B210780000164	Screw Plug	5	
60	10585261	Right Handle Assembly	1	2-24
61	24000632	Washer	14	
62	A210204000131	Screw	8	
63	60225750	Pilot-control Valve	2	2-26
64	B230103000988	Hose Assembly	2	
65	B230103000907	Hose Assembly	2	
66	B230103002264	Rubber hose	1	

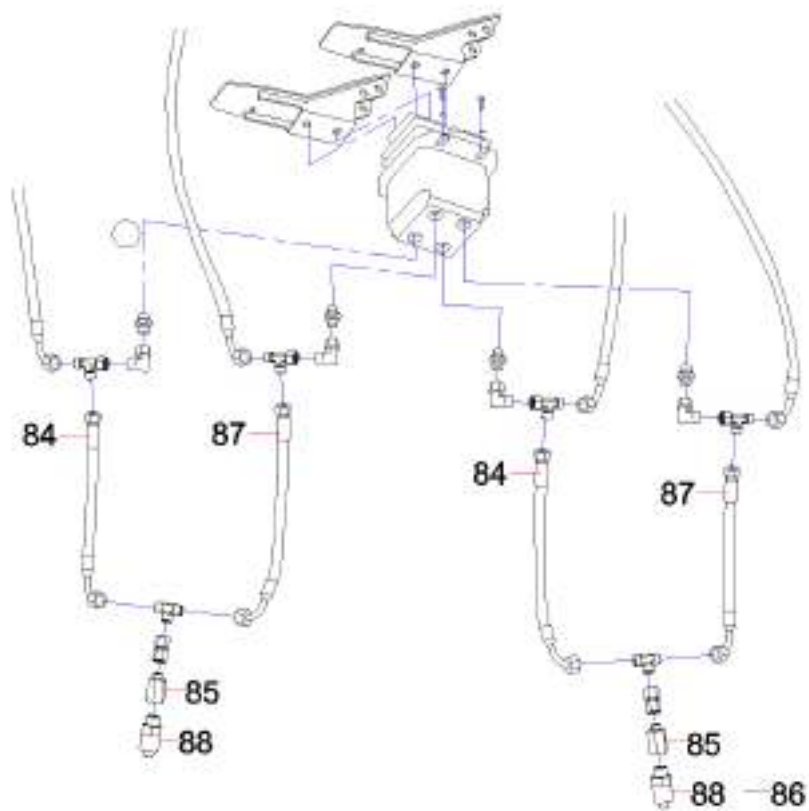


No.	Part No.	Description	Qty	Page number
6	B210780000418	Fitting, Elbow	29	
9	B210780000170	Fitting, Tee, L-shape	3	
10	B210780000176	Fitting, Adapter	35	
14	21002815	Fitting	20	
15	B230101000047	O-ring	20	
32	B210780001045	Fitting	2	
61	24000632	Washer	14	
62	A210204000131	Screw	8	
63	60225750	Pilot-control Valve	2	2-26
67	10585259	Left Handle Assembly	1	2-28
68	B230103008478	Hose Assembly	1	
69	B230103002707	Hose	1	
70	21003860	Hose	1	
71	B230103001358	Hose	1	
72	B230103000872	Rubber Hose 1SN6-DKOL-DKOL90-1500	1	
73	B220400000169	Valve, shuttle, tee	1	
74	A831233040000	Rubber Hose	1	

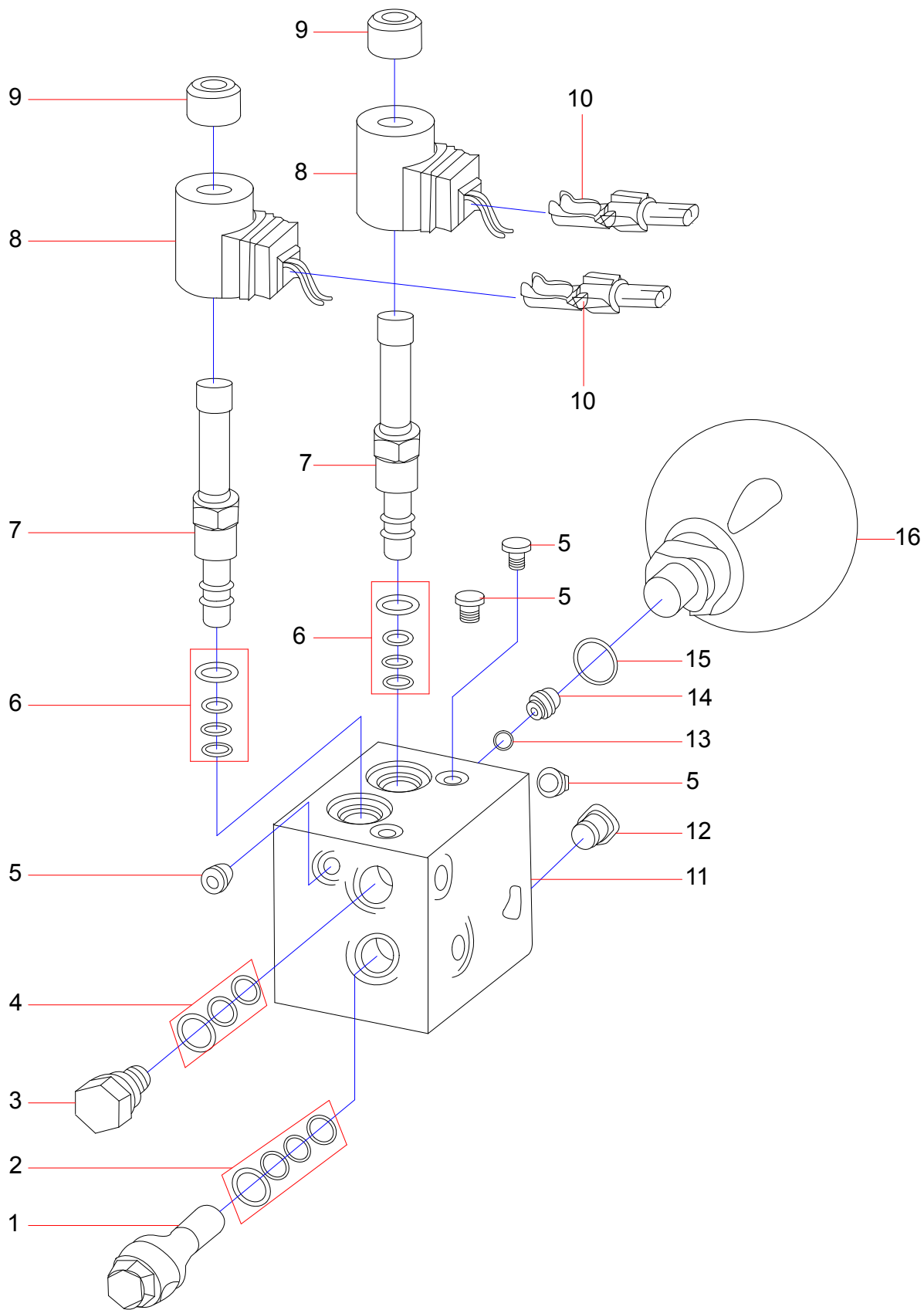




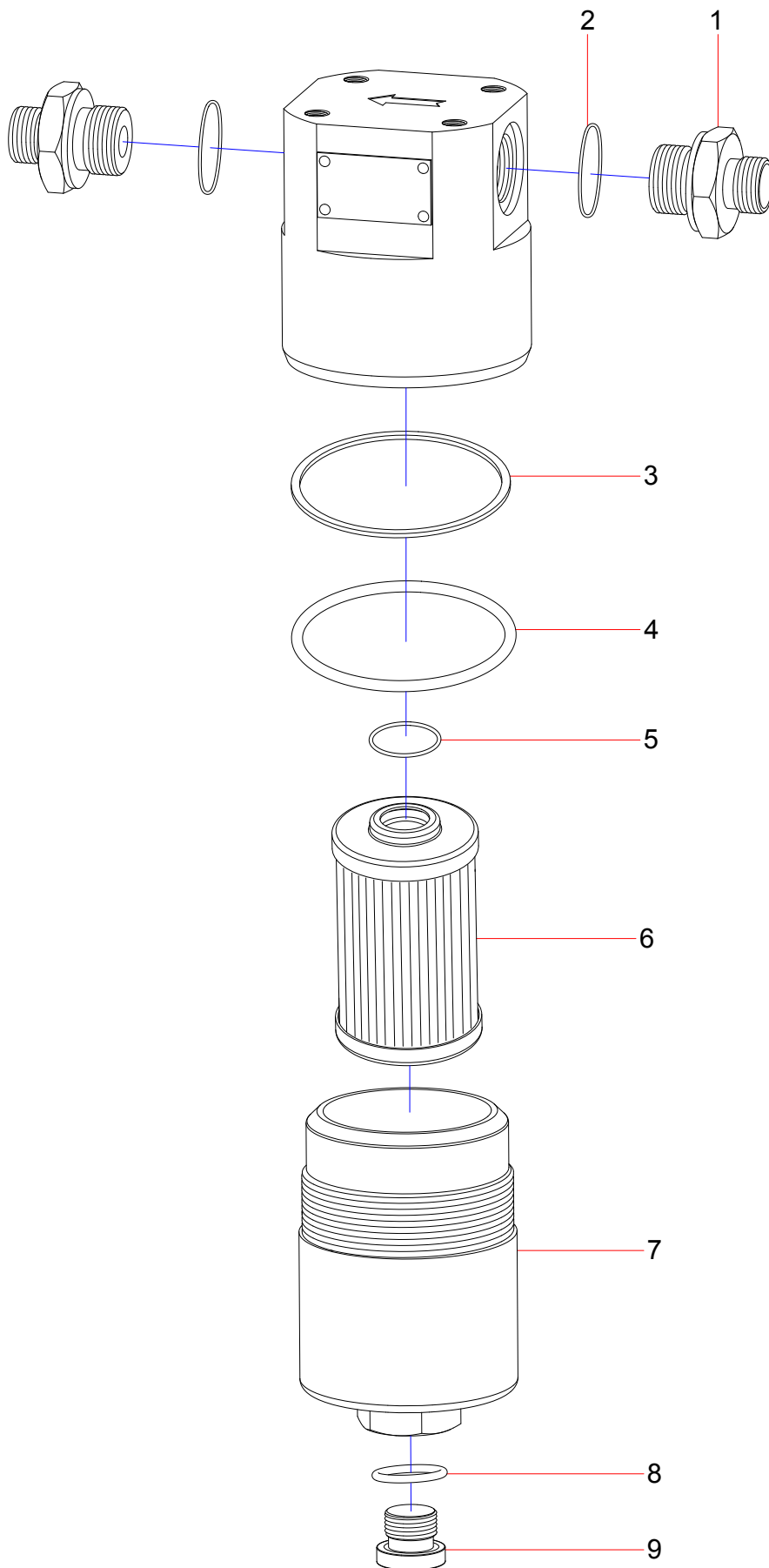
No.	Part No.	Description	Qty	Page number
1	60046293	Pilot oil supplier	1	2-20
2	24000511	Washer	6	
3	A210111000342	Bolt	6	
4	B229900000063	Filter, pilot AS	1	2-22
6	B210780000418	Fitting, Elbow	29	
10	B210780000176	Fitting, Adapter	35	
14	21002815	Fitting	20	
15	B230101000047	O-ring	20	
61	24000632	Washer	14	
65	B230103000907	Hose Assembly	2	
75	60249819	Screw	2	
76	60247936	Pilot valve	1	2-30
77	A210111000012	Bolt	4	
78	24000512	Washer	8	
79	60227366	Pilot-control Valve	1	2-32
80	23000918	Hose	1	
81	21025907	Rubber Hose	1	
82	21020054	Hose AS	1	
83	B230103000895	hose	2	



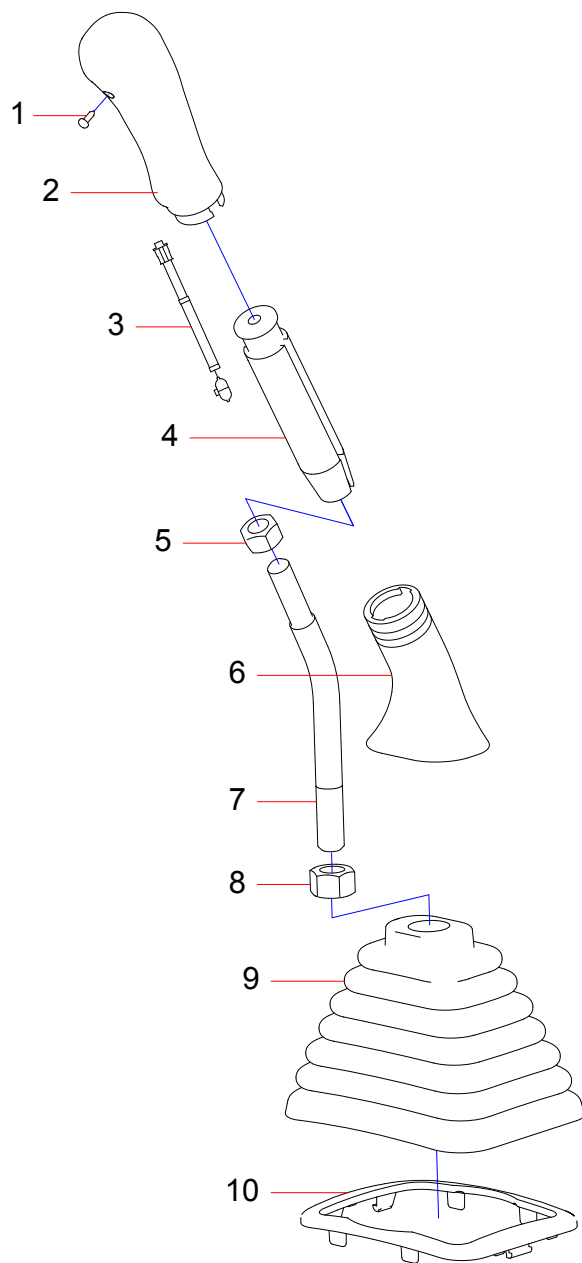
No.	Part No.	Description	Qty	Page number
84	B230103002657	Hose AS	2	
85	A820205000944	Adapter, relay	3	
86	B230103005403	Hose	1	
87	21053908	Rubber Hose	2	
88	A240700000548	Pressure Relay	3	



No.	Part No.	Description	Qty	Page number
1	60114260	Pressure Reducing Valve	1	
2	60114272	Pressure Reducing Valve Repair kit	1	
3	60114257	Safety Valve	1	
4	60114266	Safety Valve Repair kit	1	
5	60114270	Plug	5	
6	60114268	Unloading electromagnetic valve Repair k	2	
7	60114265	Unloading electromagnetic valve	2	
8	60114285	Solenoid Valve	2	
9	60114275	Lock nut	2	
10	60114283	Electrical socket	2	
11	60114259	Valve Block	1	
12	60114269	Plug	1	
13	60114280	Internal One-Way Valve O-ring	1	
14	60114263	Internal One-Way Valve	1	
15	60114281	Accumulator O-ring	1	
16	60114277	Accumulator	1	

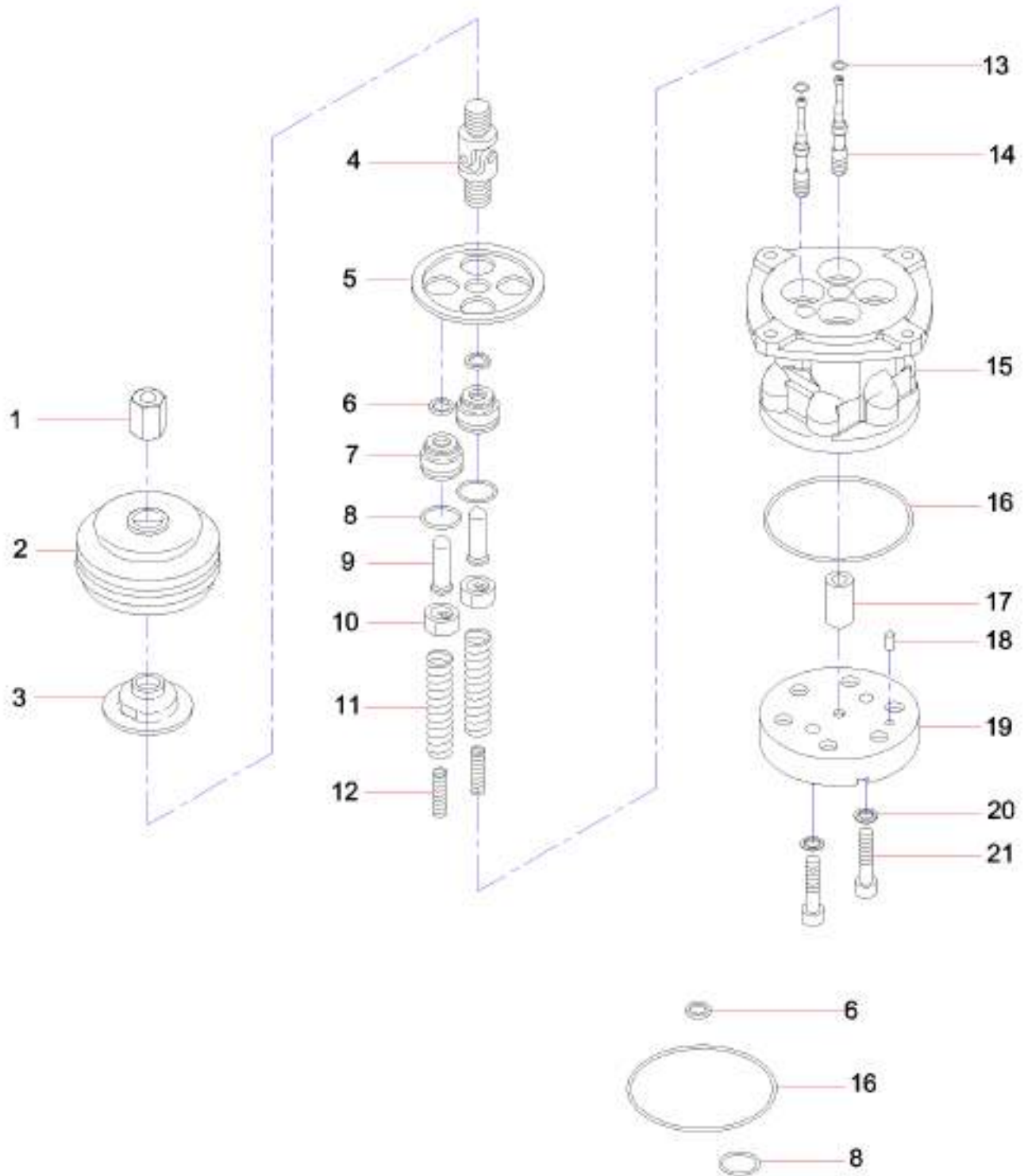


No.	Part No.	Description	Qty	Page number
1	60294881	Fitting	2	
2	29010015	O-ring	2	
3	60294882	Seal pad	1	
4	A230101000563	O-ring	1	
5	24002612	O-Ring	1	
6	A222100000119	Filter, pilot	1	
7	60294883	Housing	1	
8	21000077	O-ring	1	
9	60294884	Plug	1	

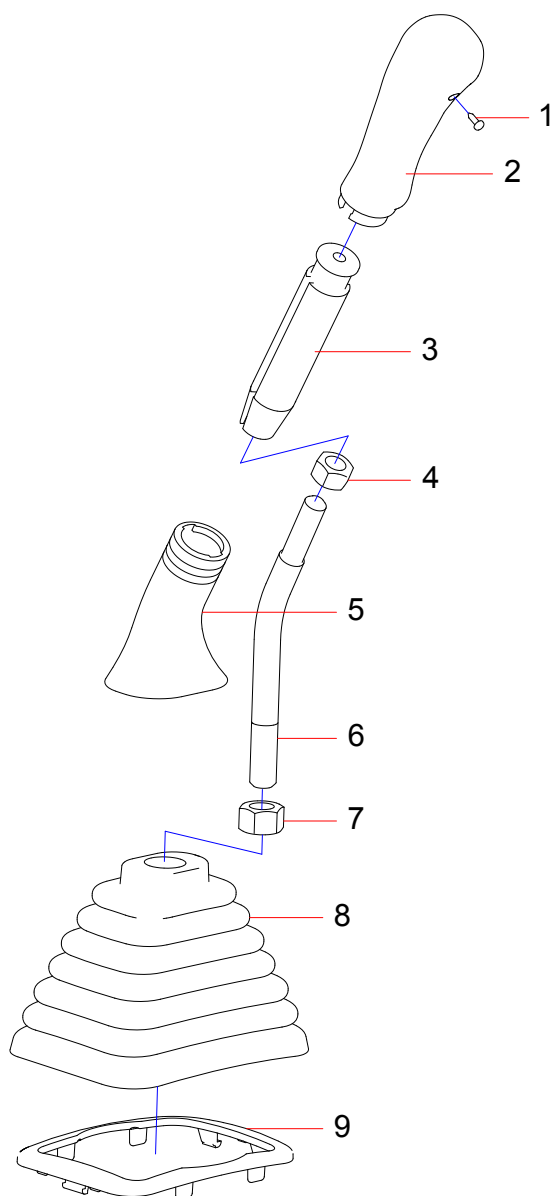




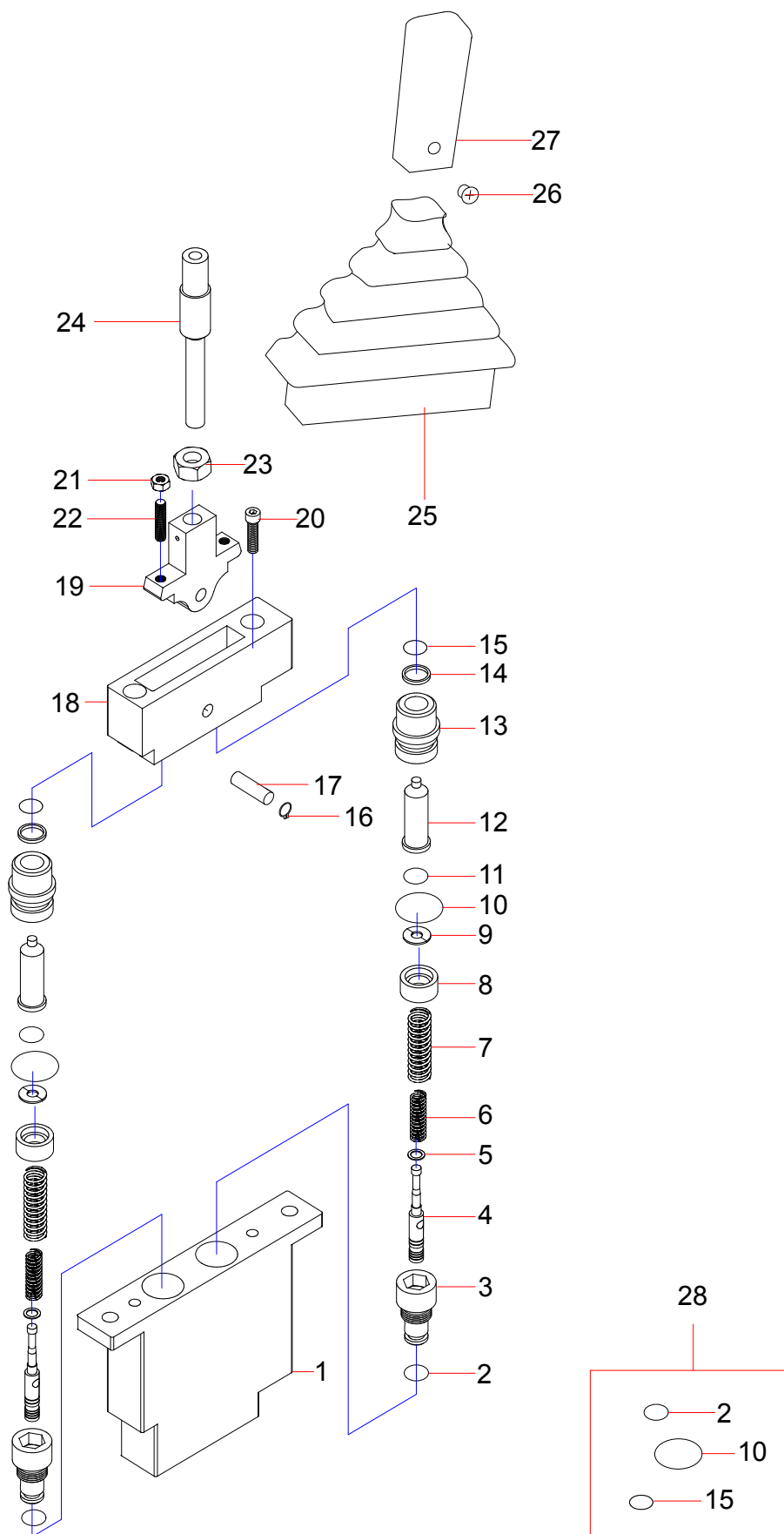
No.	Part No.	Description	Qty	Page number
1	A210264000022	Screw, self-tapping	1	
2	B229900001614	Joystick, right	1	
3	11742013	Horn Switch Harness	1	
4	60116344	Insert, switch	1	
5	A210308000006	Nut	1	
6	A229900006446	Joystick, rubber cover	1	
7	11050165	Handle, grip	1	
8	A210307000025	Nut	1	
9	A229900001028	Joystick, rubber cover	1	
10	A229900001027	Plate	1	



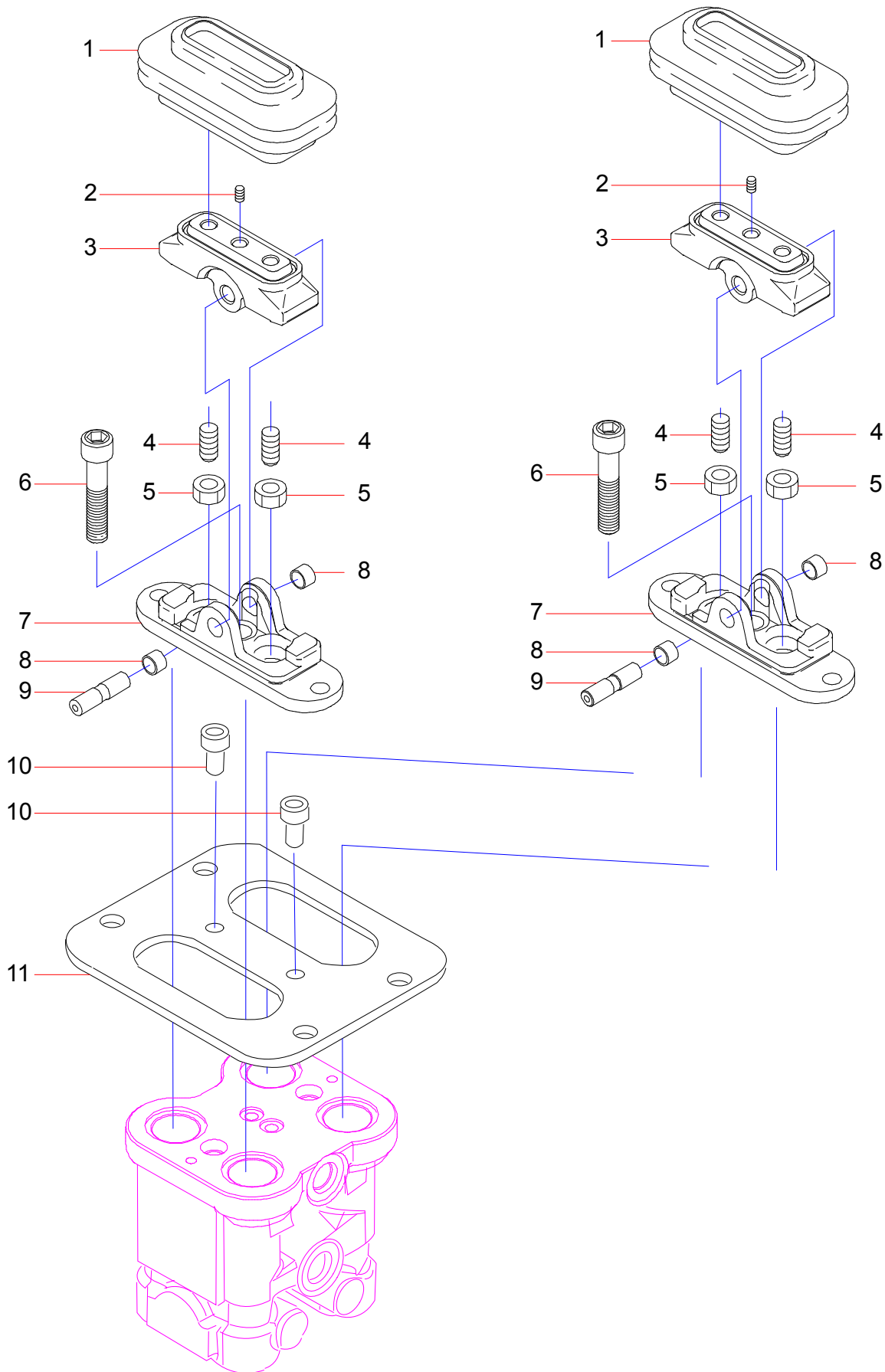
No.	Part No.	Description	Qty	Page number
1	60192530	Nut	1	
2	60192531	Bellows	1	
3	60008809	Plate, circular	1	
4	60008602	Shaft	1	
5	60037936	PLATE	1	
6	60008603	Ring, seal	4	
7	60008595	Plug	4	
8	60038715	O-ring(seal)	4	
9	60235883	Rod Push	4	
10	60235884	Seat Spring	4	
11	60008774	SPRING	4	
12	60235885	Sping	4	
13	60008597	Washer	4	
14	60008760	SPOOL	4	
15	60235882	Casing	1	
16	60008799	O-ring	1	
17	60008806	Bush	1	
18	60038259	SPRING PIN	1	
19	60222385	plate	1	
20	60008598	WASHER seal	2	
21	60008786	Bolt, socket head	2	



No.	Part No.	Description	Qty	Page number
1	A210264000022	Screw, self-tapping	1	
2	B229900001613	Joystick , left	1	
3	60116344	Insert, switch	1	
4	A210308000006	Nut	1	
5	A229900006446	Joystick, rubber cover	1	
6	11050165	Handle, grip	1	
7	A210307000025	Nut	1	
8	A229900001028	Joystick, rubber cover	1	
9	A229900001027	Plate	1	

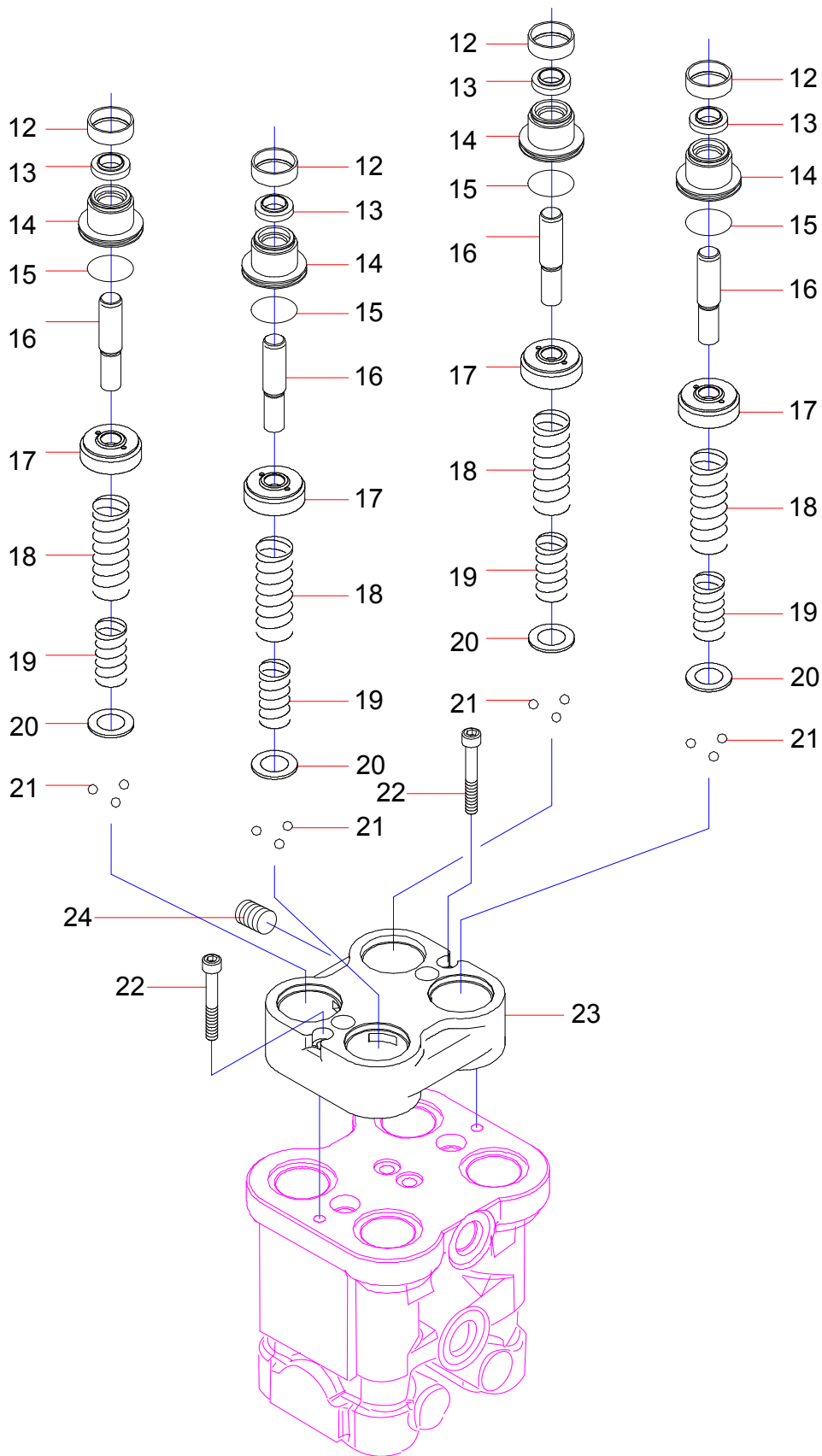


No.	Part No.	Description	Qty	Page number
1	60290358	Body	1	
2	A210608000007	O-ring	2	
3	60290359	Valve pocket	2	
4	60290360	Spool	2	
5	60290361	Spring washer	2	
6	60290362	Spring	2	
7	60290363	Spring	2	
8	60290364	Seat	2	
9	60290365	Washer	4	
10	B230101000049	O-ring	2	
11	60290366	Steel-wire retainer ring	2	
12	60290367	Piston Rod	2	
13	60290368	Copper sleeve	2	
14	60290369	U ring	2	
15	21019042	O-ring	2	
16	A210414000003	Retainer Ring	2	
17	60290370	Pin	1	
18	60290371	Seat	1	
19	60290372	Swing holder	1	
20	A210204000134	Screw	2	
21	A210307000015	Nut	2	
22	60290373	Screw	2	
23	A210307000012	Nut	1	
24	60290374	Joystick assembly	1	
25	60290375	Dust Cover	1	
26	60290376	Screw	1	
27	60290377	Cap	1	
28	21019042	O-ring	1	

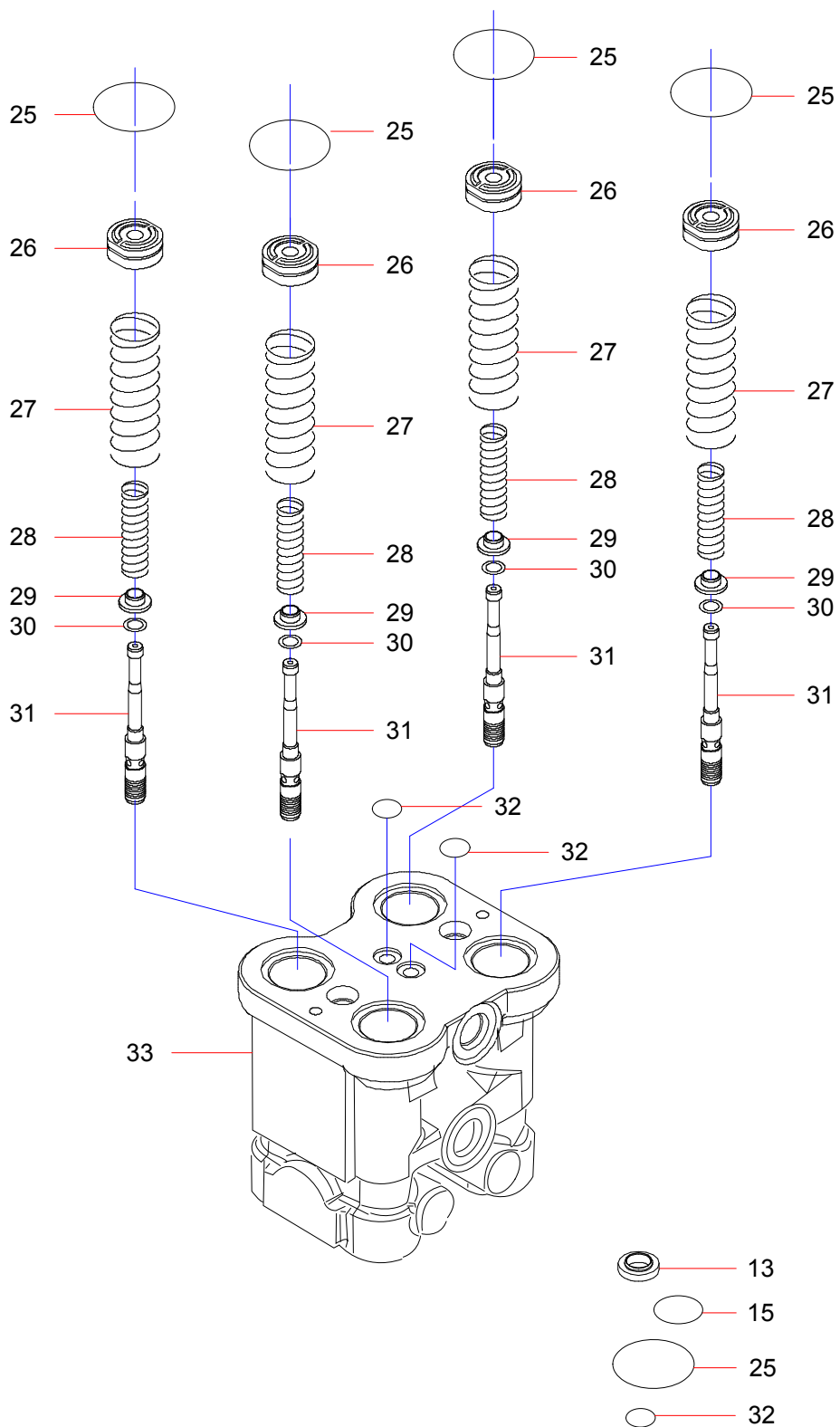




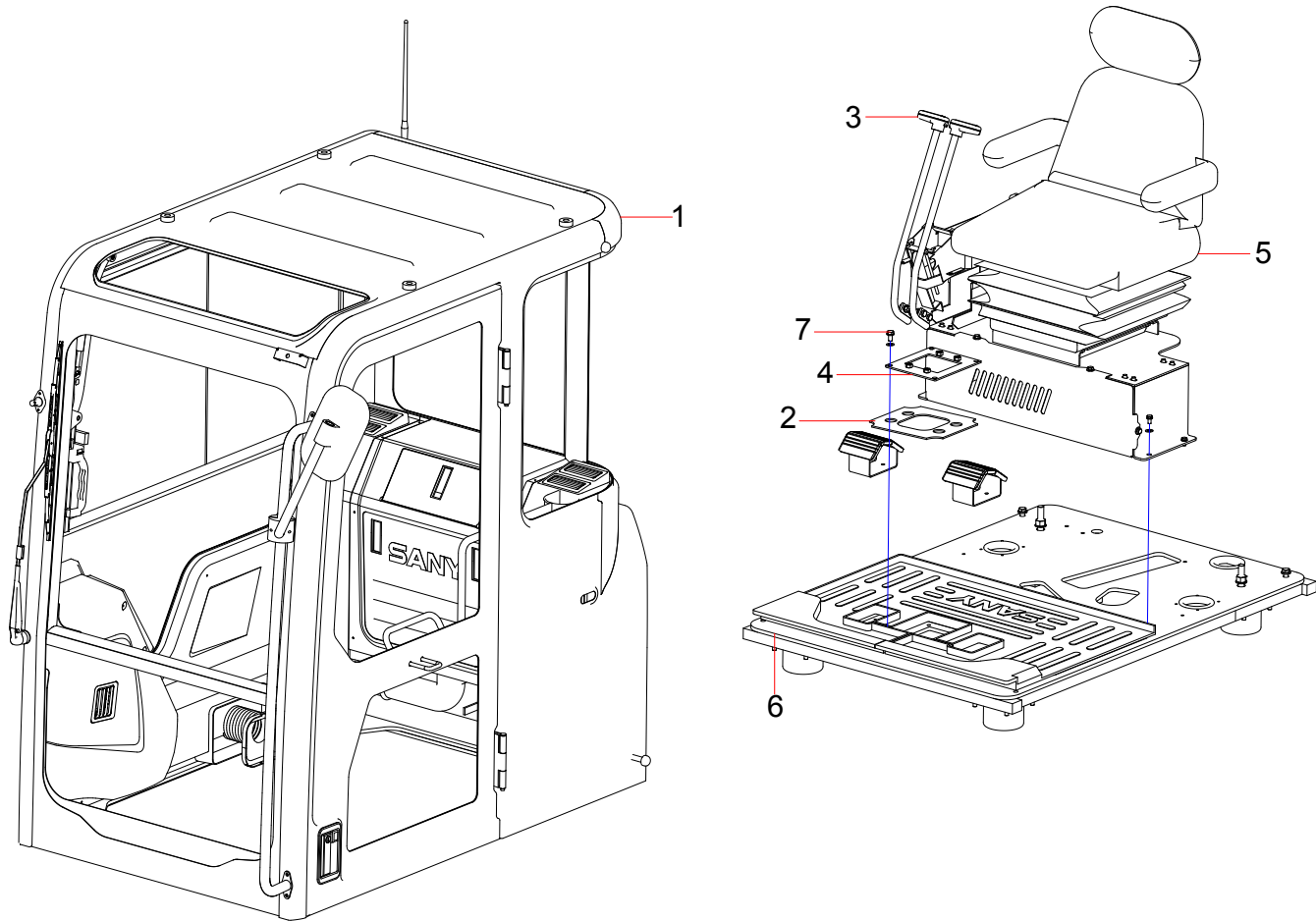
No.	Part No.	Description	Qty	Page number
1	60237083	Cover, rubber	2	
2	60237082	Screw, set	2	
3	60008591	Mount, upper	2	
4	60008592	Screw, adjusting	4	
5	60038480	Nut	4	
6	60237078	Bolt, socket head	2	
7	60237074	Mount, lower	2	
8	60008690	Sleeve, shaft	2	
9	60008585	Shaft	2	
10	60237073	Screw	2	
11	60237075	Plate	1	



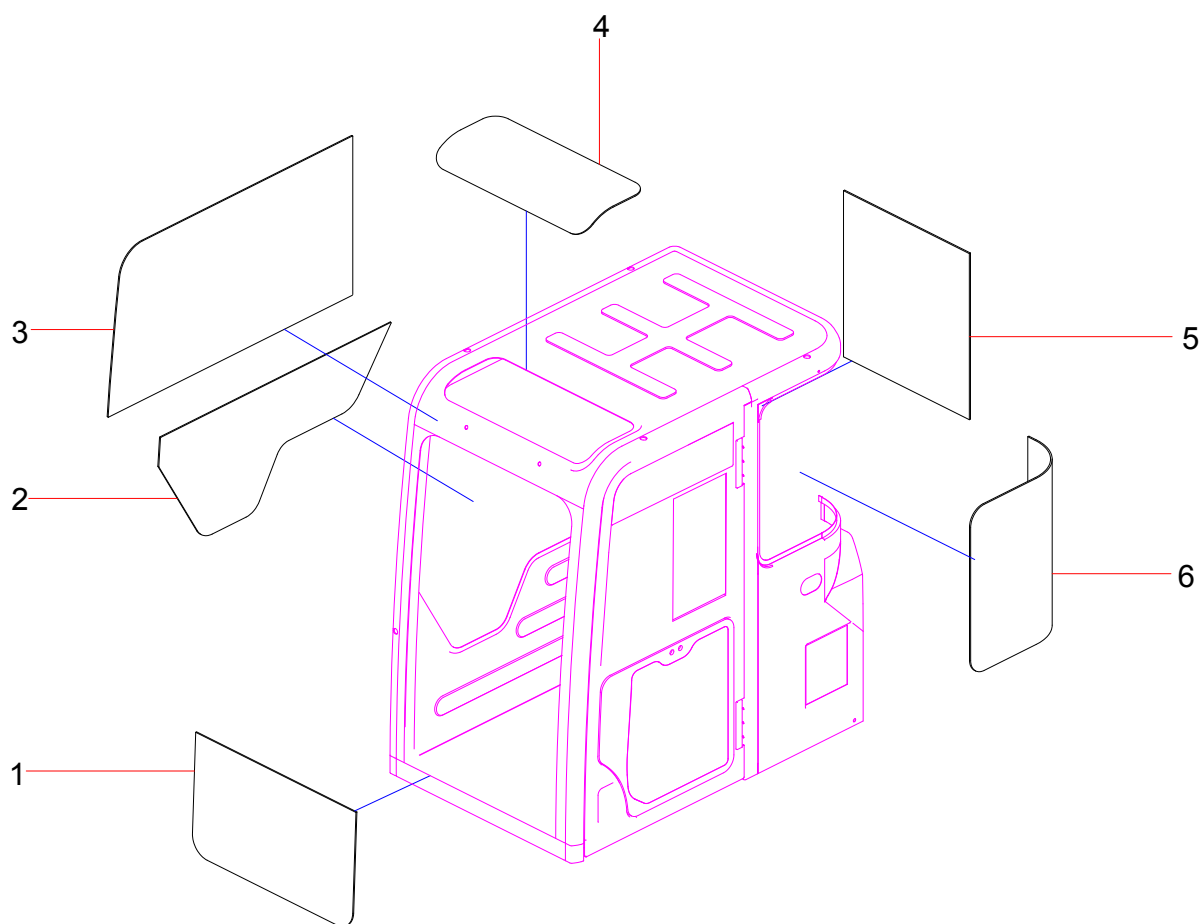
No.	Part No.	Description	Qty	Page number
12	60008754	Cover	4	
13	60163771	Ring, dust	4	
14	60163768	Plug	4	
15	60038720	O-ring	4	
16	60237076	rod	4	
17	60008803	Piston	4	
18	60008767	Spring	4	
19	60008766	Spring	4	
20	60008756	Seat, spring	4	
21	60237077	Ball, steel	12	
22	60038563	Bolt	2	
23	60237072	Valve	1	
24	60008728	Screw, set	1	



No.	Part No.	Description	Qty	Page number
13	60163771	Ring, dust	4	
15	60038720	O-ring	4	
25	60038820	O-ring	4	
26	60237080	Seat, spring	4	
27	60237081	spring	4	
28	60008594	Spring, small	4	
29	60008589	Washer	4	
30	60008597	Washer	4	
31	60237079	Spool	4	
32	60038727	O-ring	2	
33	60237071	casing	1	

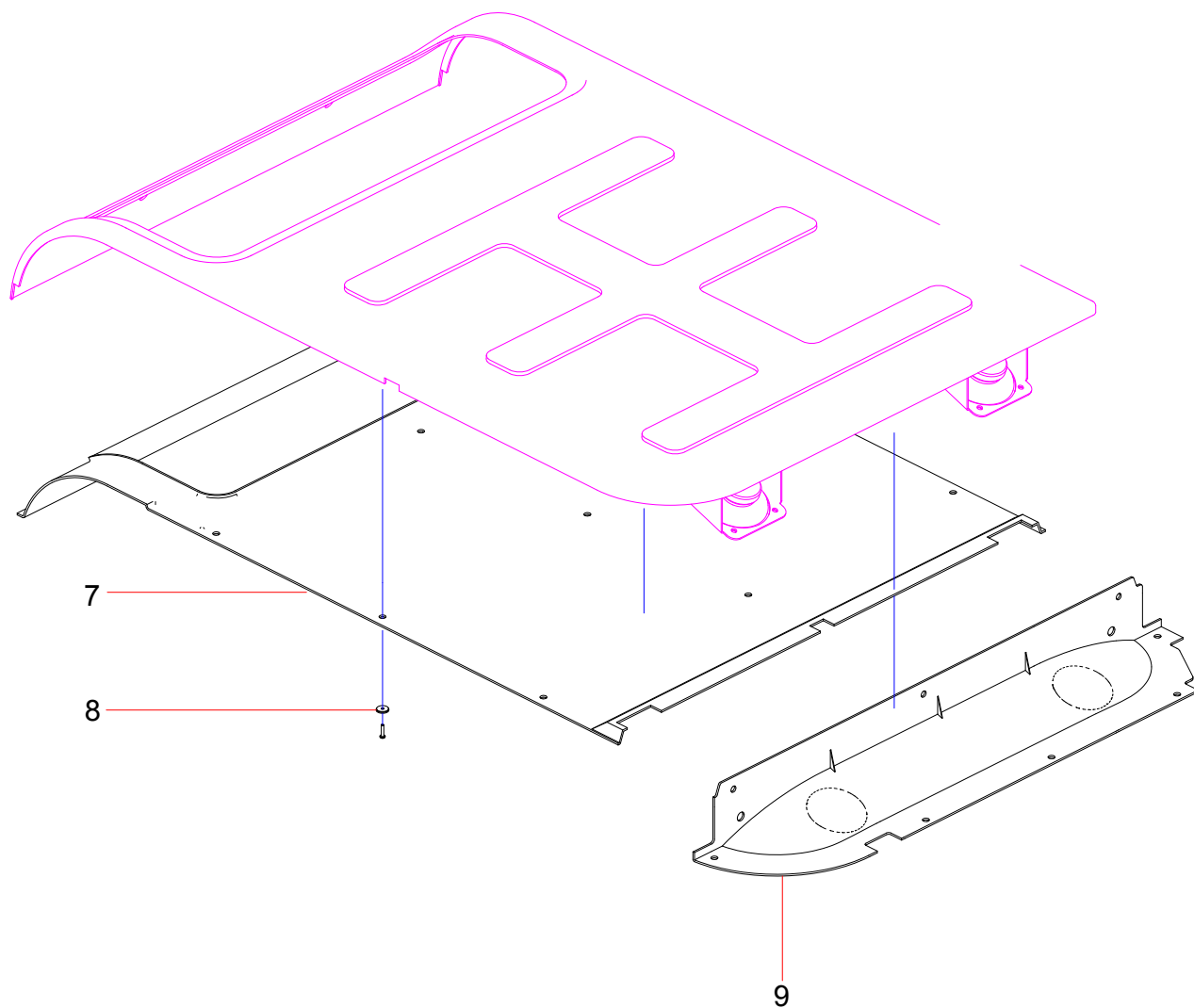


No.	Part No.	Description	Qty	Page number
1	60128283	Cab	1	2-40
2	11937141	Gasket	1	
3	12934780	Running control mechanism	1	2-60
4	A810402050021	Plate	1	
5	12049398	seat and control cabinet	1	2-62
6	12168555	bottom board rack of cab	1	2-70
7	A210111000195	Bolt	4	

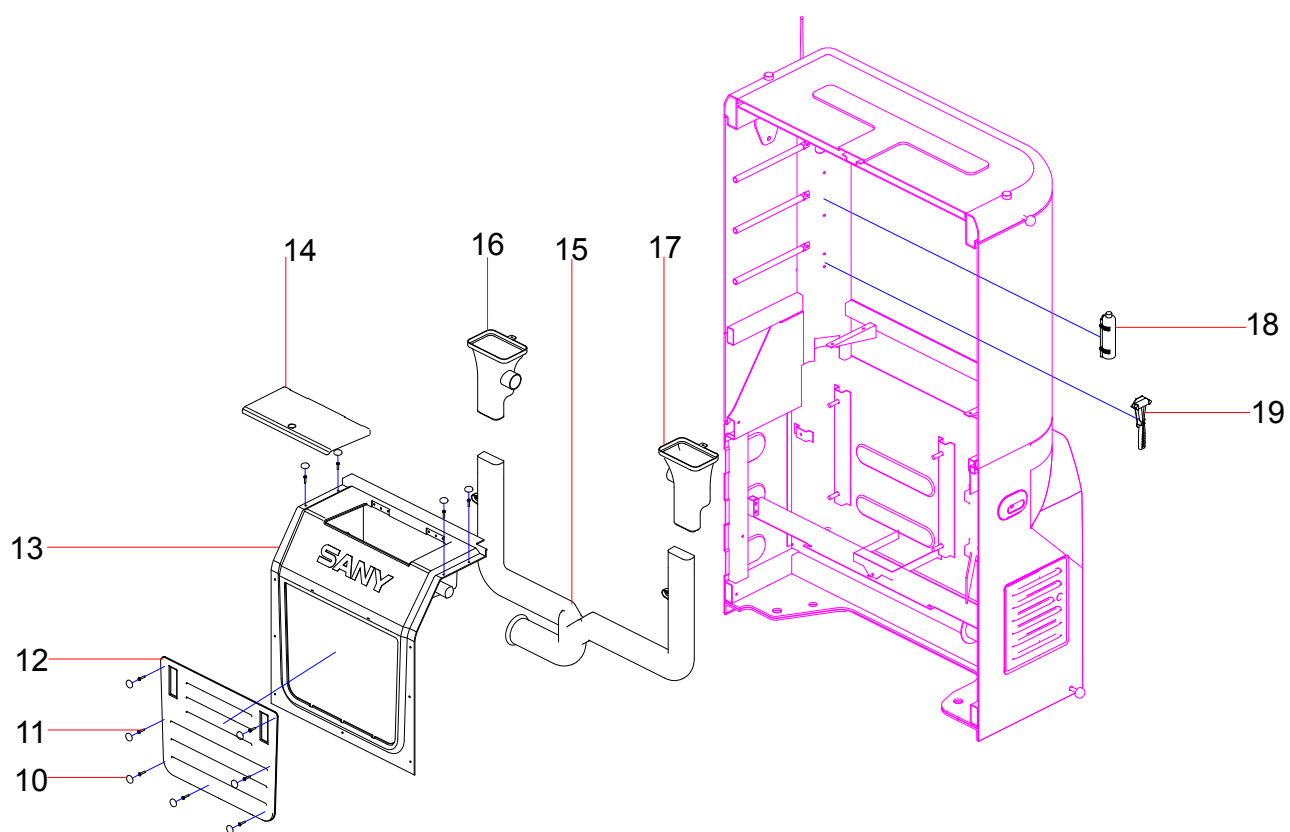




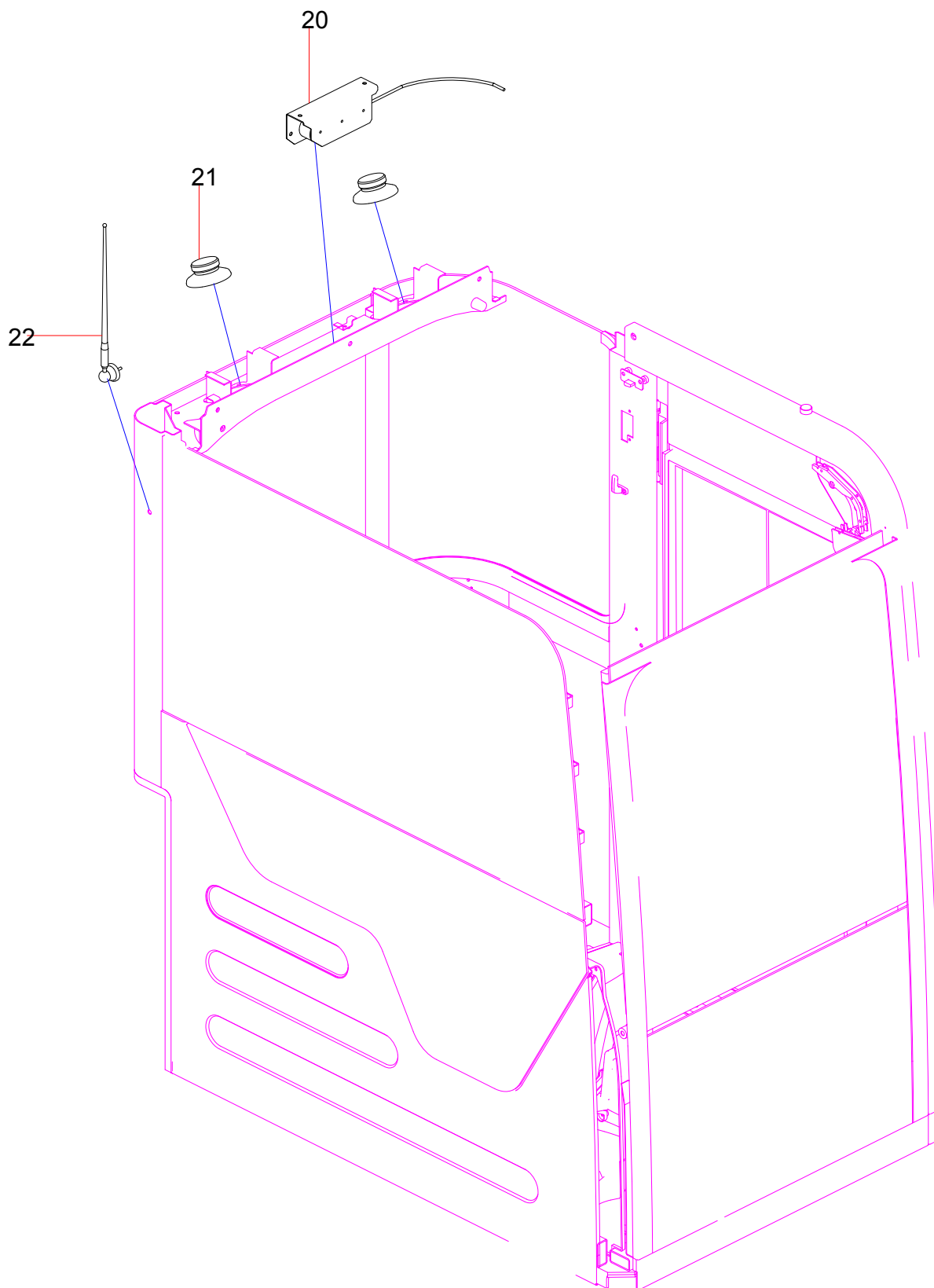
No.	Part No.	Description	Qty	Page number
1	60146561	front lower glass	1	
2	60146565	right side glass(lower)	1	
3	60146564	right side glass(upper)	1	
4	60146552	transom window glass	1	
5	60146554	rear window glass	1	
6	60146566	left rear side glass	1	



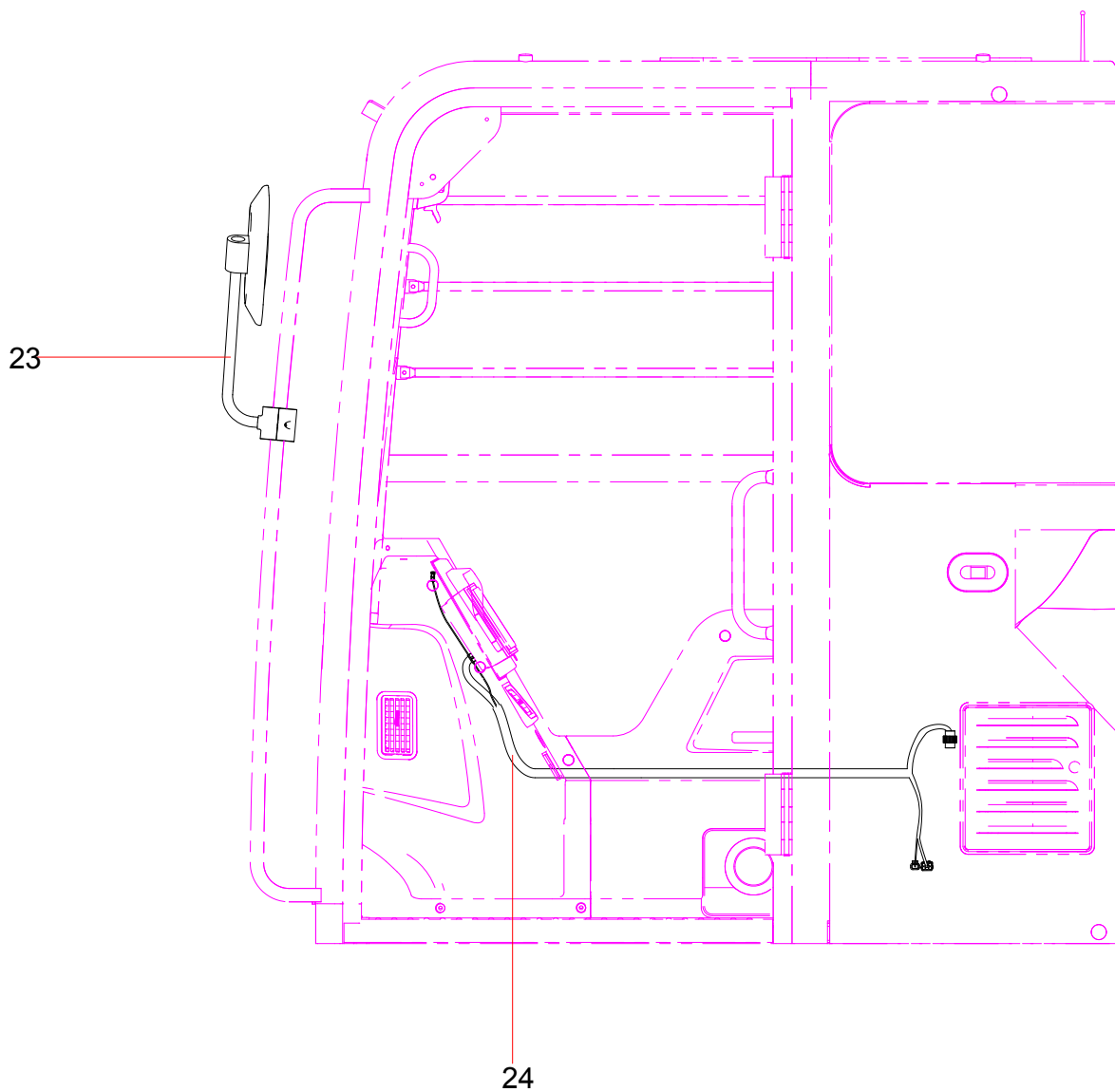
No.	Part No.	Description	Qty	Page number
7	60146532	top trim assembly	1	
8	60052639	Bayonet catch of top shed	12	
9	60146567	upper horn cover	1	



No.	Part No.	Description	Qty	Page number
10	60052641	Screw cap 2	11	
11	24002399	Screw	11	
12	60146536	rear lower cover plate	1	
13	60146535	rear coaming plate	1	
14	60146527	preservative box cover	1	
15	60166736	rear air duct	1	
16	60166742	right rear air port connector	1	
17	60166744	left rear air port connector	1	
18	60001289	Fire Extinguisher	1	
19	60052666	Safety hammer	1	

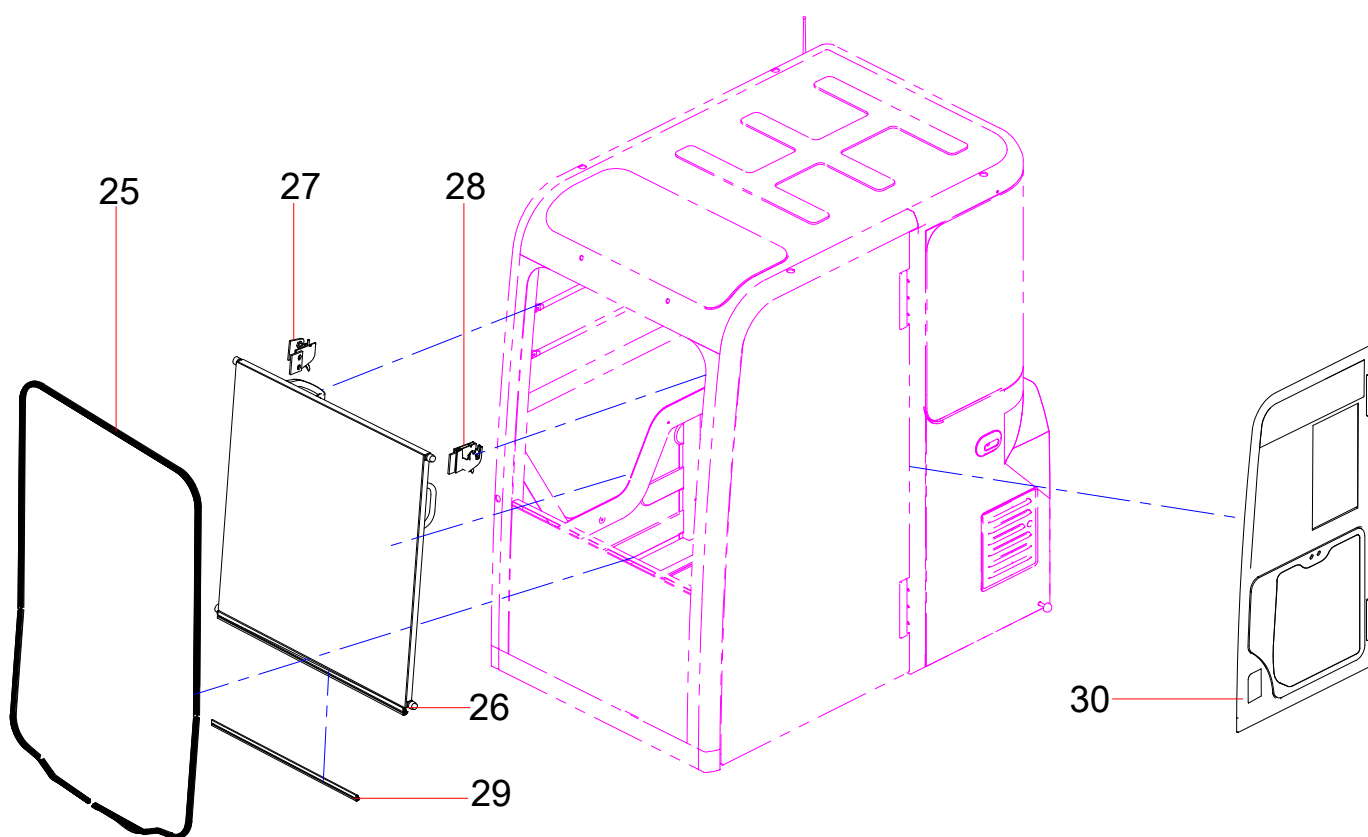


No.	Part No.	Description	Qty	Page number
20	A229900003883	A229900003883	1	
21	60023703	Speaker	2	
22	60023704	Antenna	1	

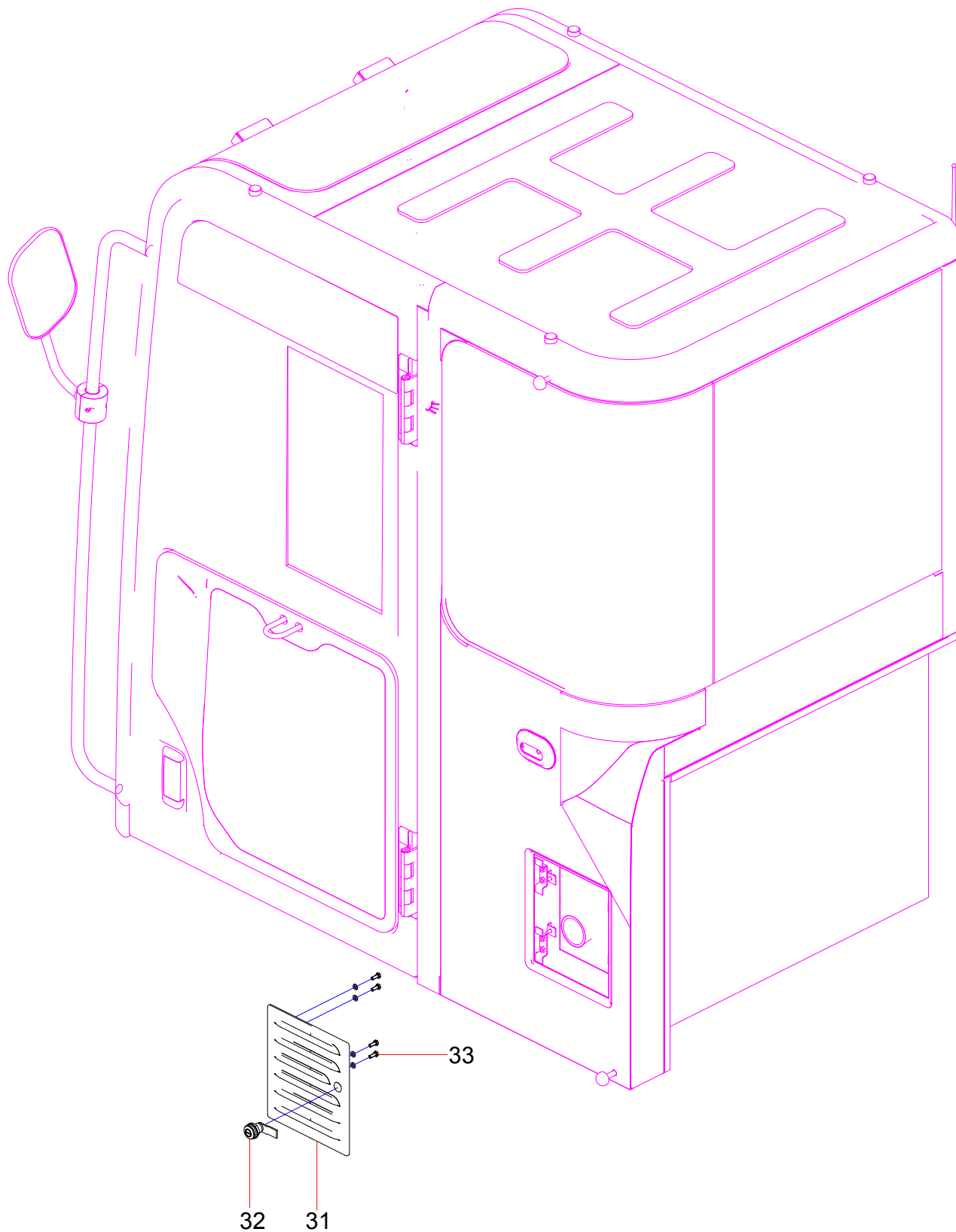




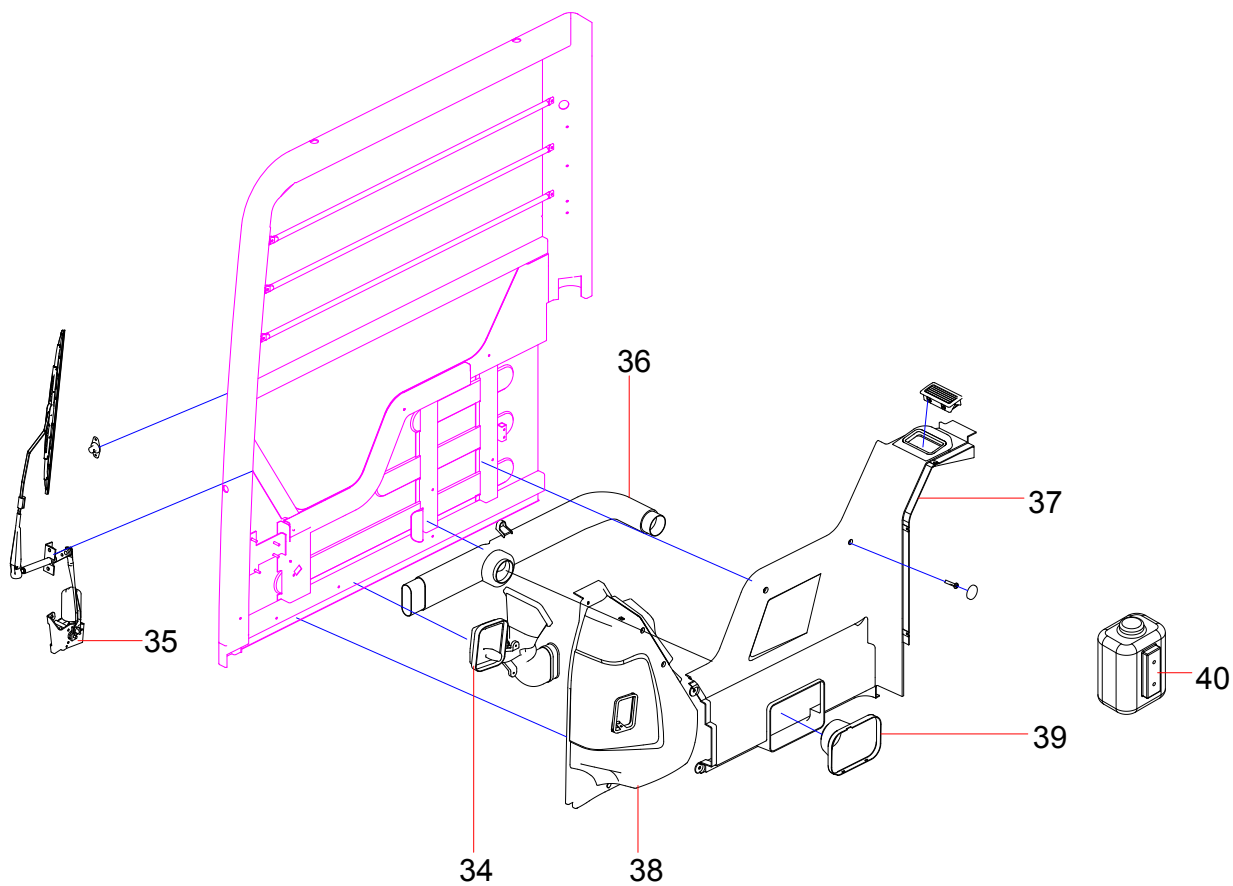
No.	Part No.	Description	Qty	Page number
23	60166748	rearview	1	
24	11766171	harness of display	1	



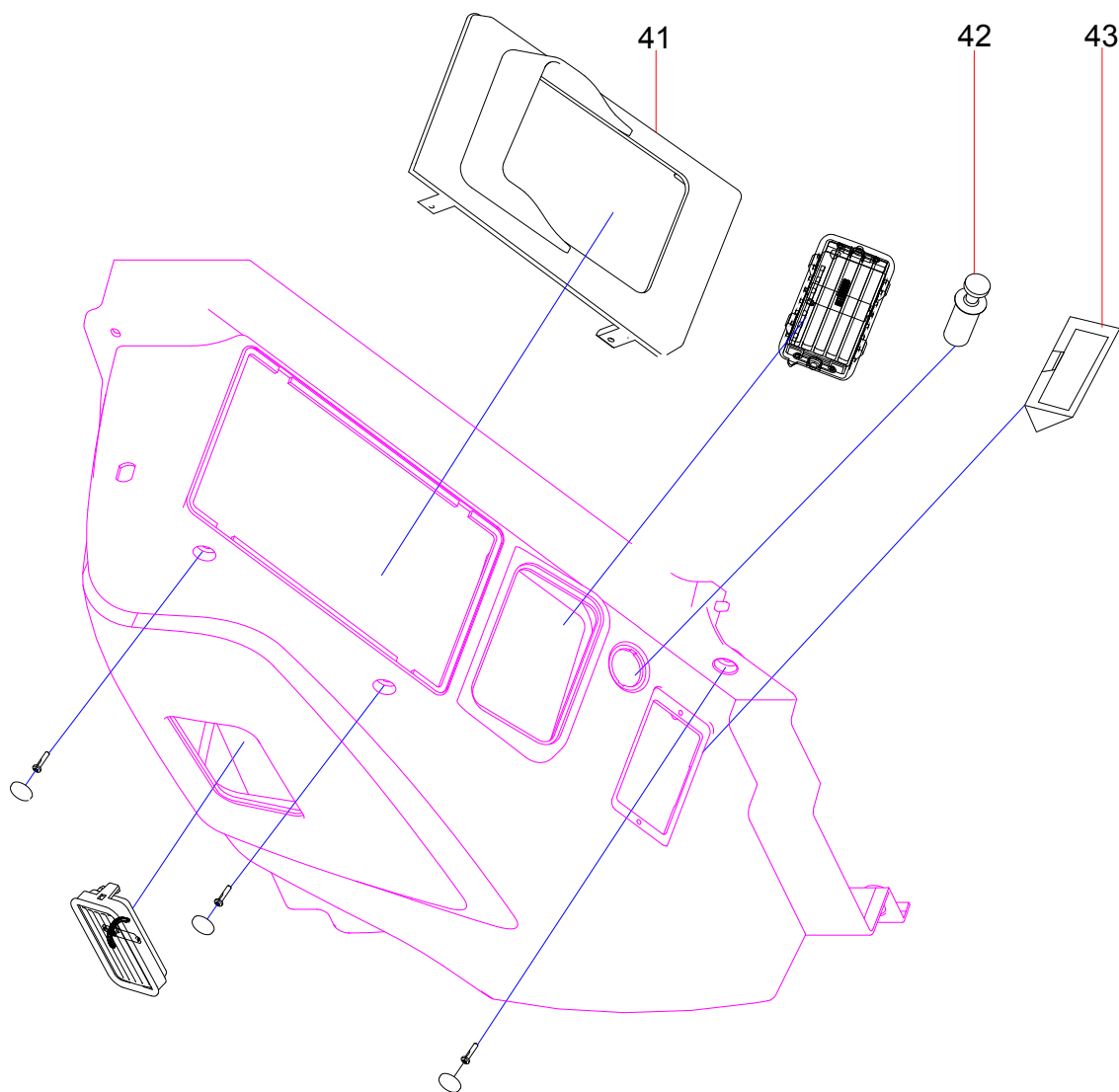
No.	Part No.	Description	Qty	Page number
25	60166746	Front sliding Window outer Sealant strip	1	
26	60166733	Front Sliding Window	1	
27	60171052	Lock-rightFrontWindow	1	
28	60171053	Lock-leftFrontWindow	1	
29	60166747	Front sliding Window lower Sealant strip	1	
30	60166731	Door assembly	1	



No.	Part No.	Description	Qty	Page number
31	60166740	fresh-Air port Plate AS-Door	1	
32	A222200000093	Door lock	1	
33	A210111000079	Bolt	4	

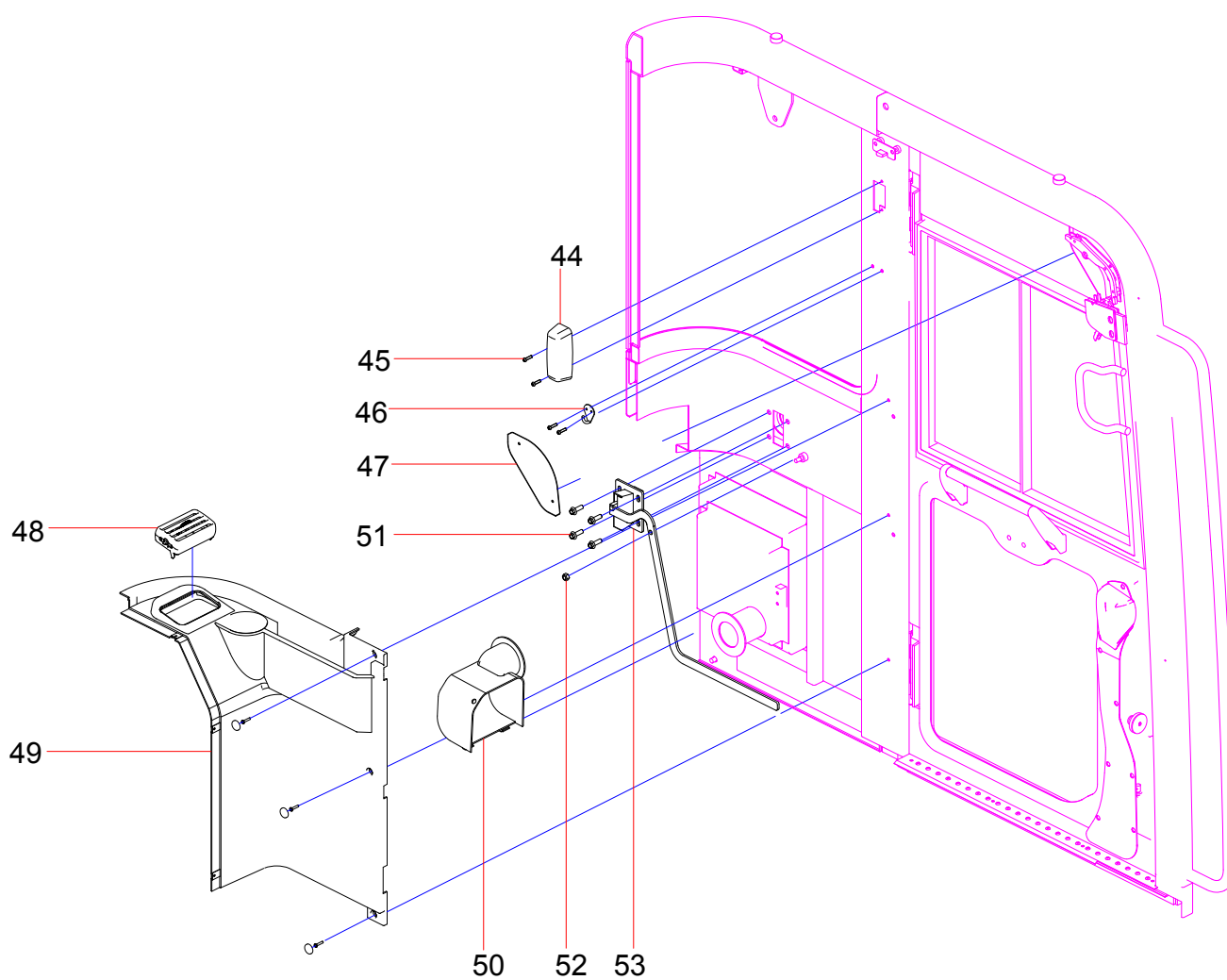


No.	Part No.	Description	Qty	Page number
34	60166743	Right front air duct	1	
35	60170187	Windscreen wiper assembly	1	
36	13776375	right air duct	1	
37	60146548	right rear inner-decorative	1	
38	60146549	right front hood plate	1	
39	13739252	air passage cover	1	
40	A229900000113	Reservior, Windshield Washer	1	

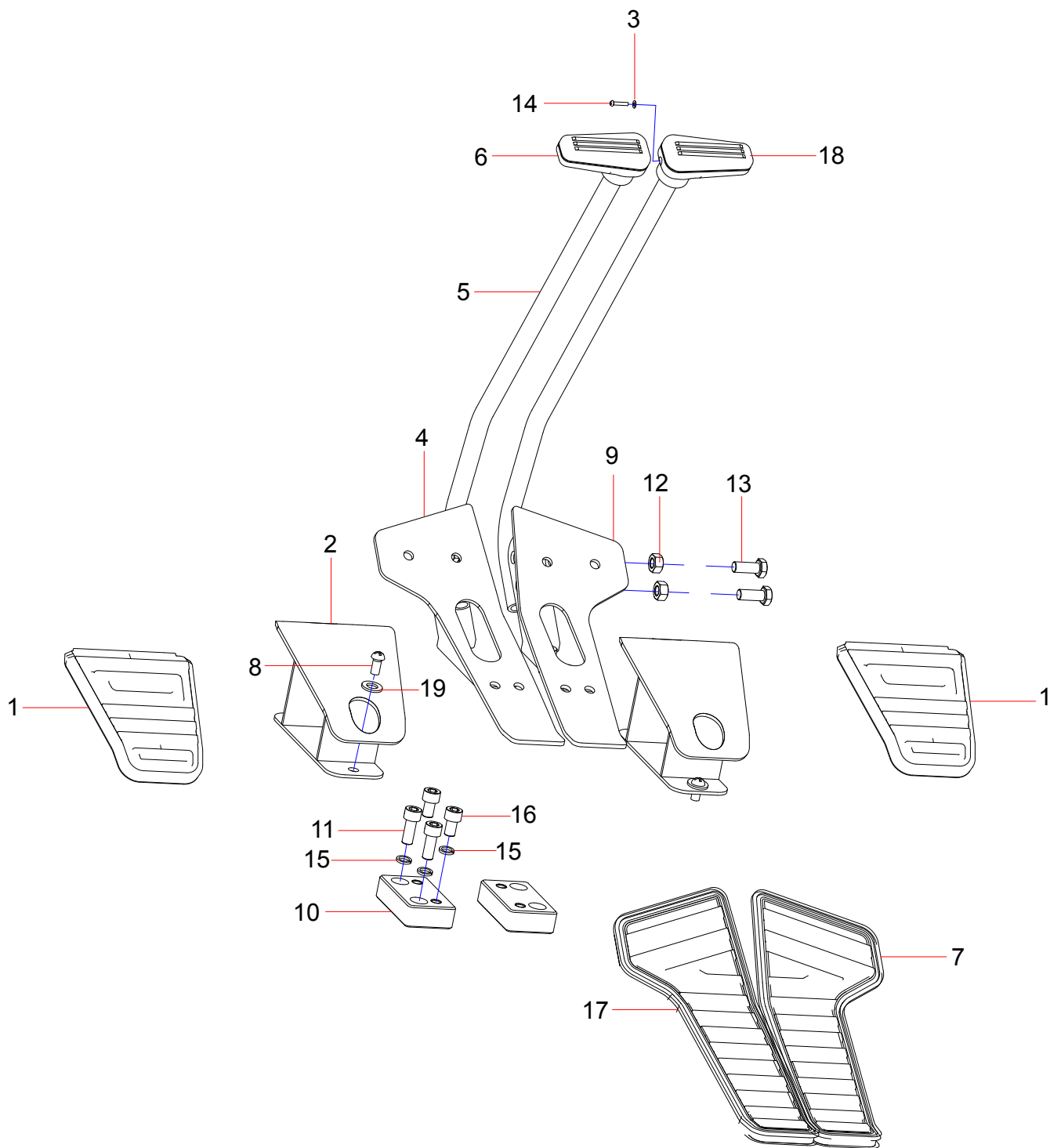




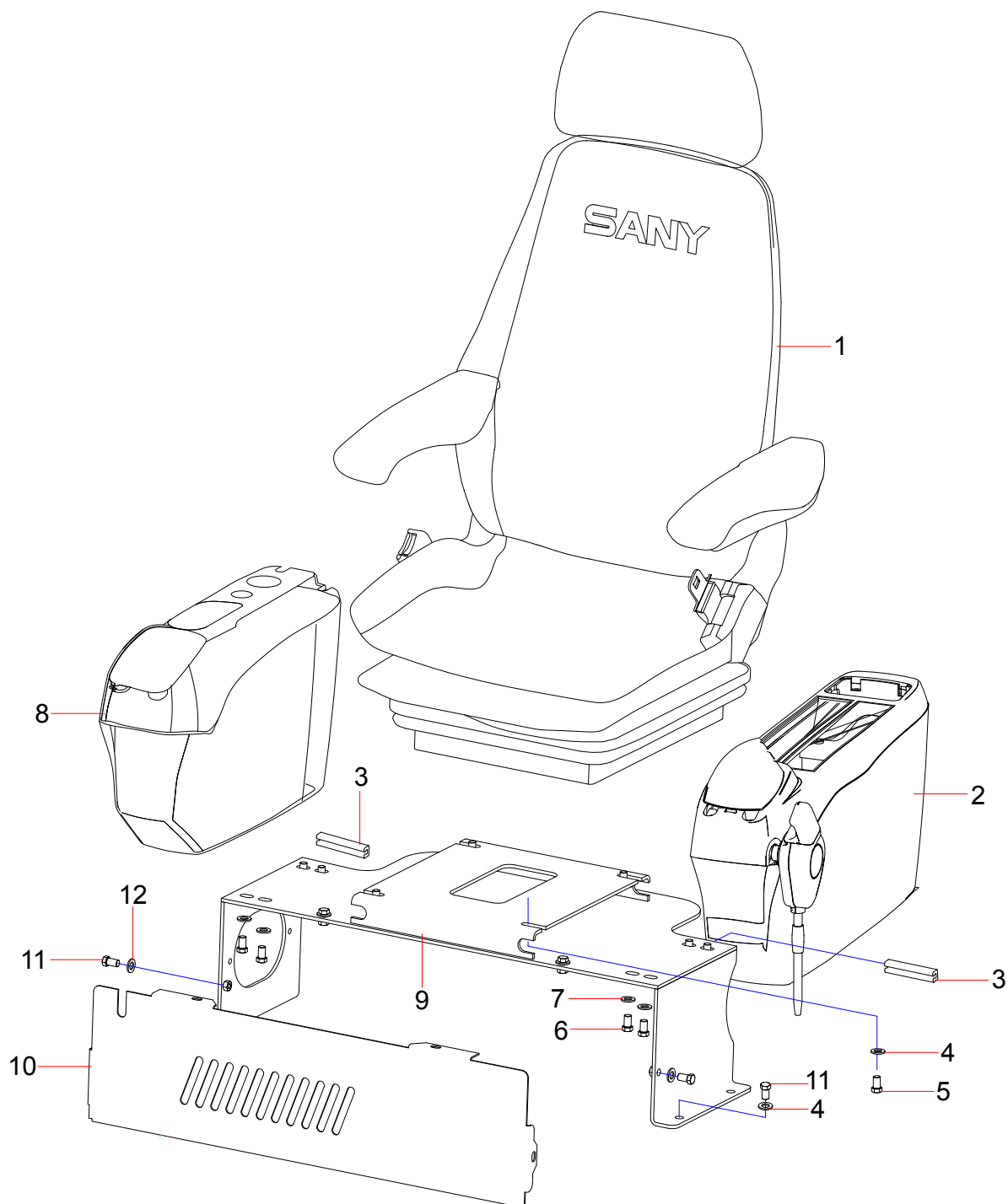
No.	Part No.	Description	Qty	Page number
41	60146544	instrument box plate	1	
42	60052636	Cigarette Lighter	1	
43	60052626	Ashtray	1	



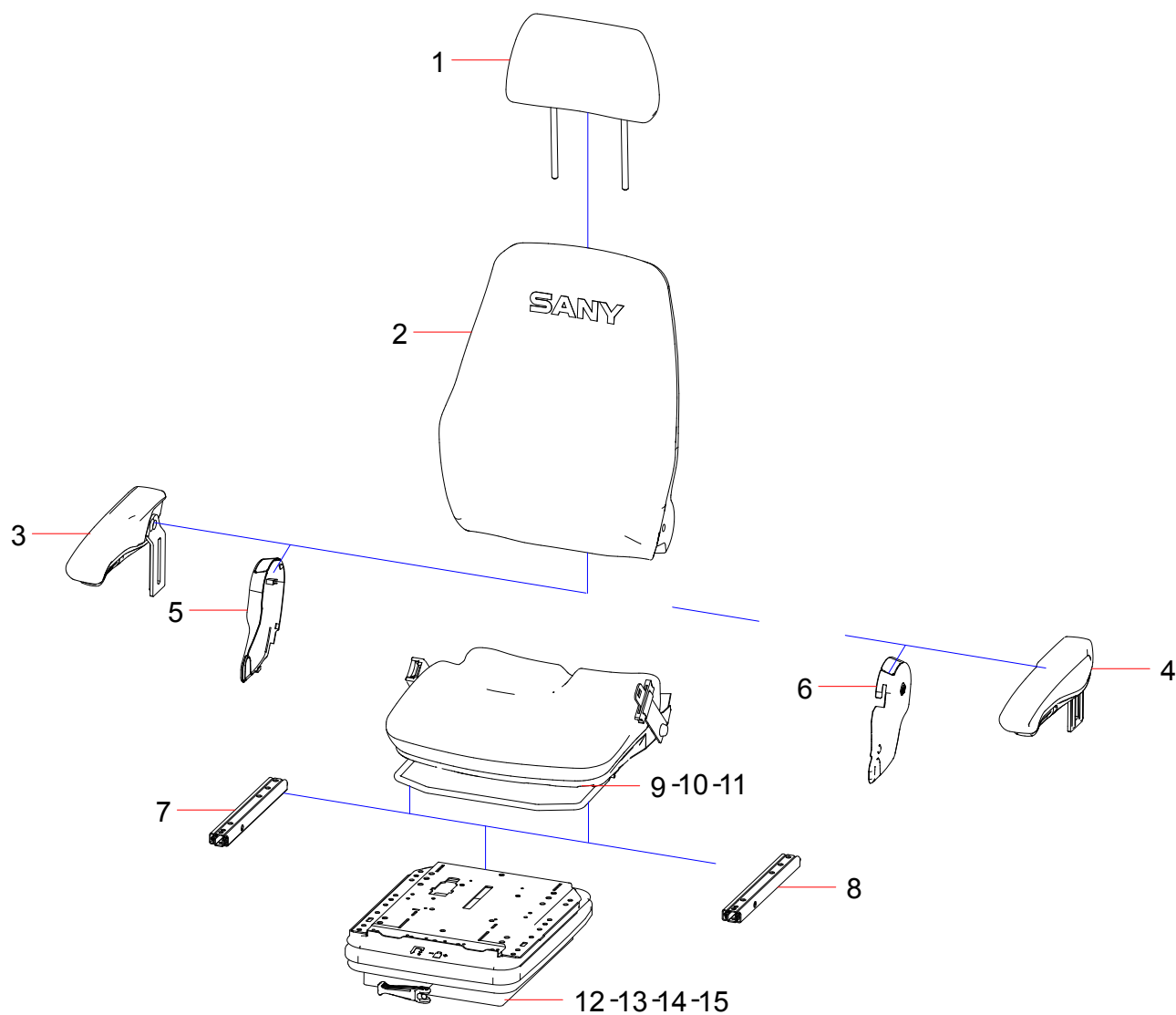
No.	Part No.	Description	Qty	Page number
44	A229900003178	Carriage Lamp cEMC0502.8 20	1	
45	A313180502003	Screw	2	
46	60166735	Pin rail	1	
47	60146531	Left corner decorative parts	1	
48	60166739	Air outlet of air-conditioner	4	
49	60146550	left-hand interior trimming plate	1	
50	60076074	Air intake fitting	1	
51	A210138000000	Bolt	4	
52	A210307000012	Nut	1	
53	60052633	Door Anti-Locking Assy.	1	



No.	Part No.	Description	Qty	Page number
1	12002592	Pedal sleeve	2	
2	12846550	Pedal	2	
3	60060562	Washer	2	
4	12003641	Left backup plate of pedal	1	
5	A810201073015	Lever, control	2	
6	12688927	Handle, left	1	
7	12010268	Backup sleeve of pedal	1	
8	A210111000342	Bolt	4	
9	12009972	Right backup plate of pedal Asy.	1	
10	11571909	Block	2	
11	A210204000196	Screw	4	
12	A210307000036	Nut	4	
13	A210111000012	Bolt	4	
14	A210210000030	Screw	2	
15	24000512	Washer	8	
16	A210204000334	Bolt, socket head	4	
17	12009258	Backup sleeve of pedal	1	
18	12691132	Right handle	1	
19	24000633	Washer	4	

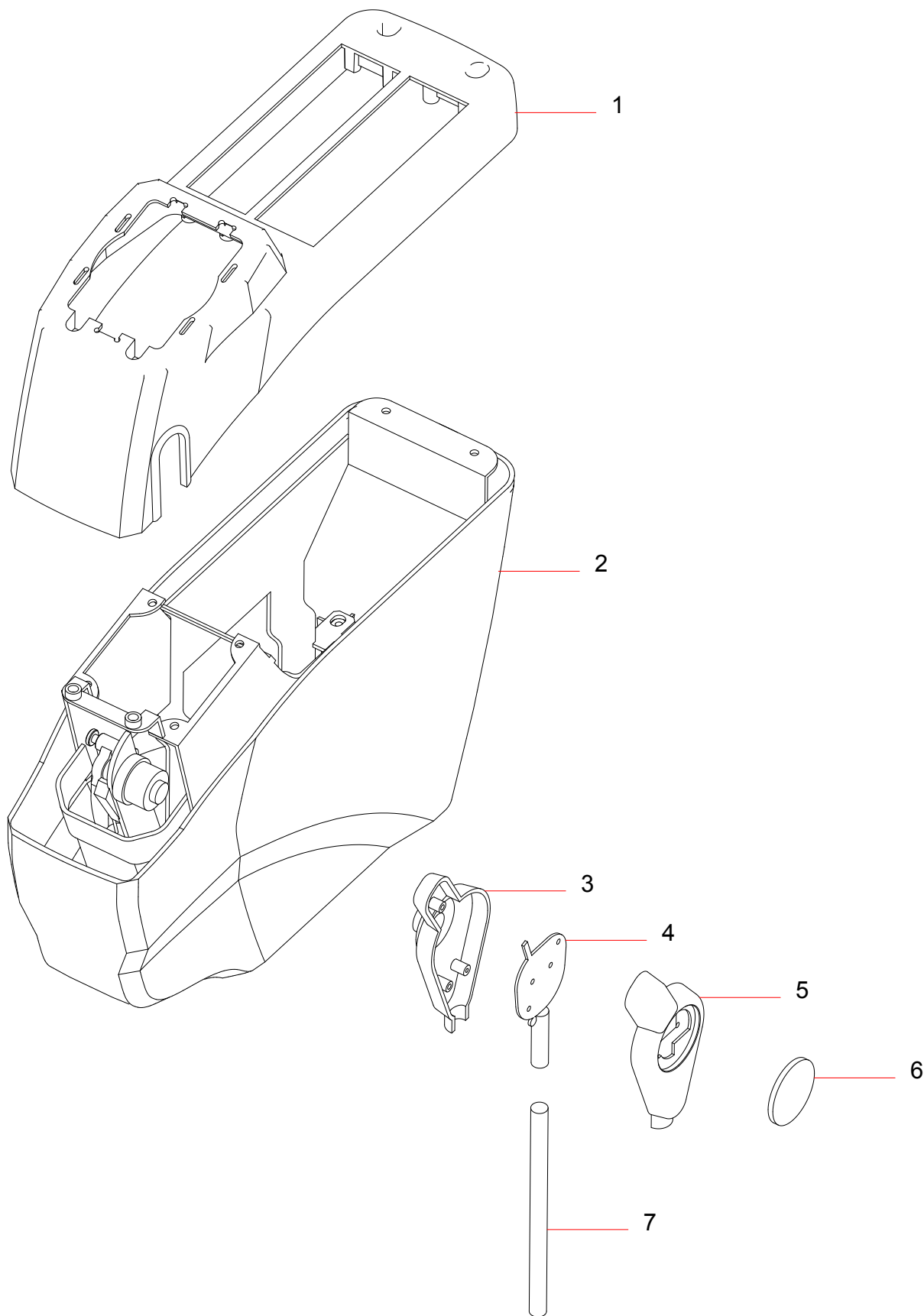


No.	Part No.	Description	Qty	Page number
1	60102990	Mechanical Suspension Driver Seat	1	2-64
2	60106368	Left Arm Rest Box Assembly	1	2-66
3	11863921	Protective sleeve	2	
4	60060565	Washer	8	
5	A210111000343	Bolt	4	
6	A210111000195	Bolt	8	
7	24000637	Washer	8	
8	60096298	Right Arm Rest Box Assembly	1	2-68
9	11043459	seat base	1	
10	11044677	Base cover	1	
11	A210111000342	Bolt	8	
12	24000633	Washer	4	

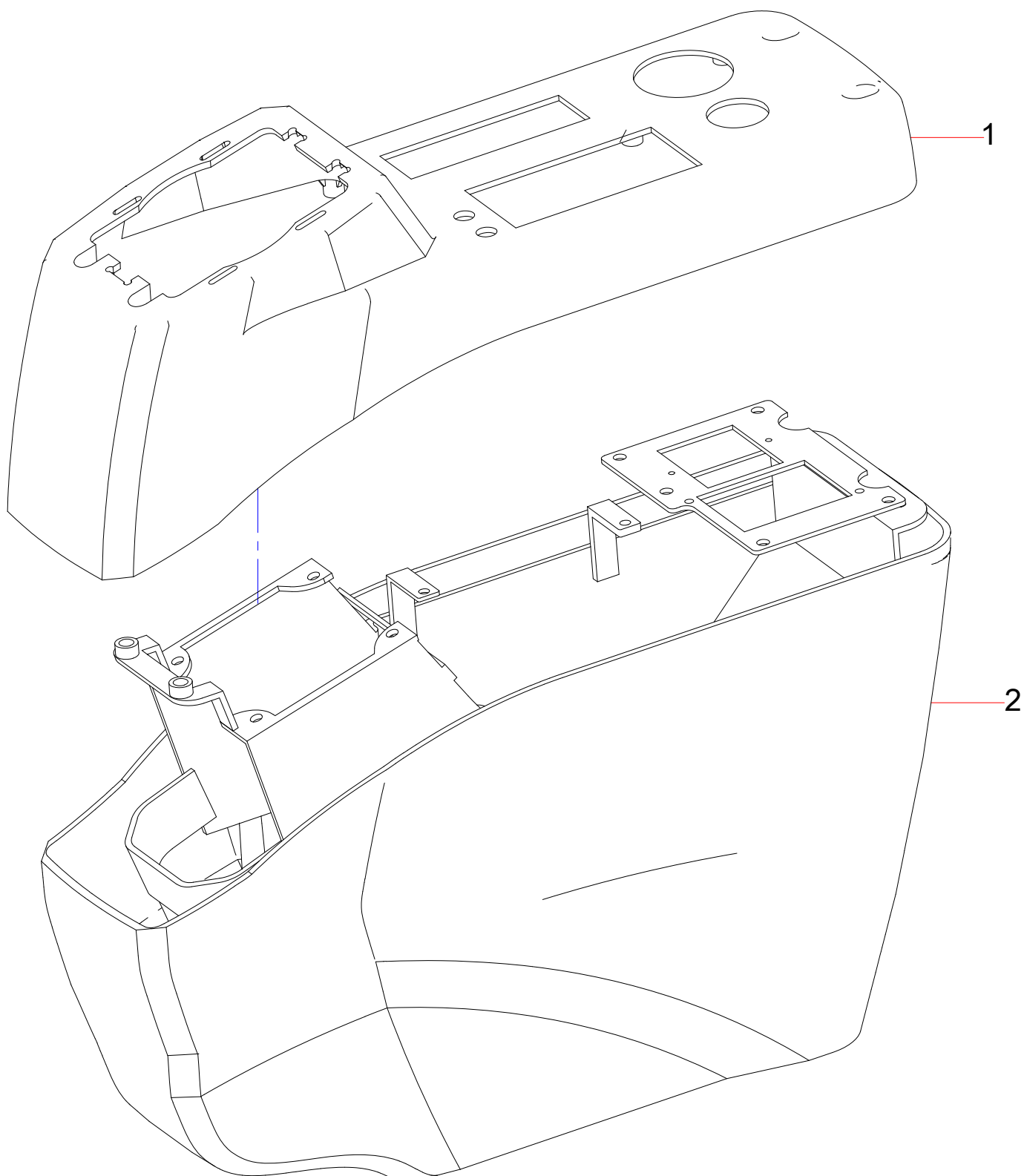




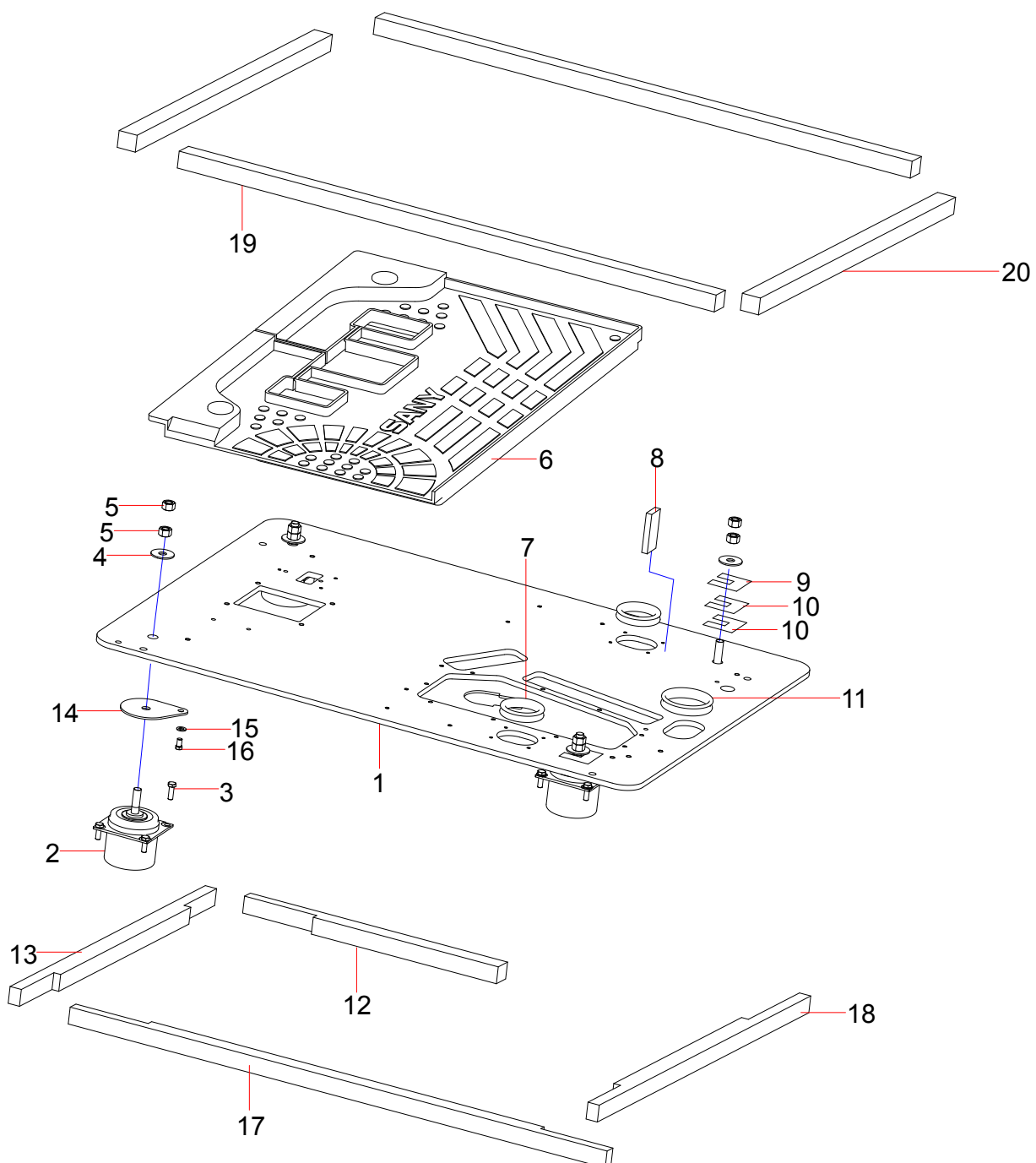
No.	Part No.	Description	Qty	Page number
1	60153648	Backrest extension local fabric gray	1	
2	60153633	Backrest cushion local Fabric gray	1	
3	60153794	Armrest	1	
4	60153807	Armrest LH.	1	
5	60153653	Cover	1	
6	60153664	Cover	1	
7	60153796	Slide rail	1	
8	60153809	Slide rail	1	
9	60153812	Seat plate gs.la.	1	
10	60153810	Seat cushion local fabric gray	1	
11	60153651	limit rod	1	
12	60153811	Rigid board	1	
13	60153813	Suspension bottom plate gs.la.	1	
14	60153644	Bellow	1	
15	60153619	Toggle grey	1	



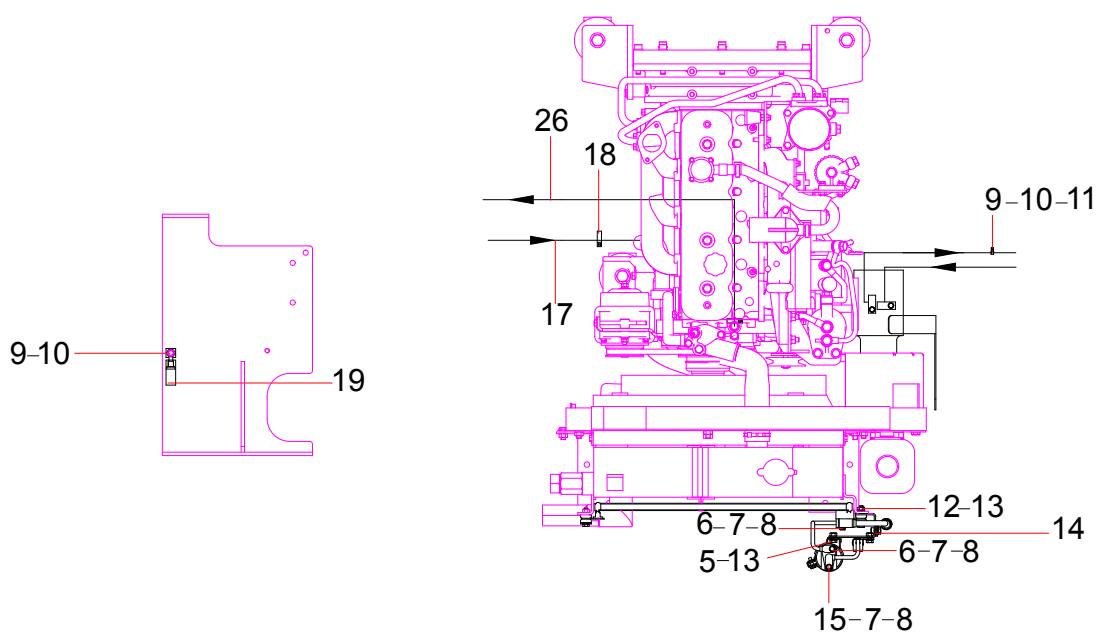
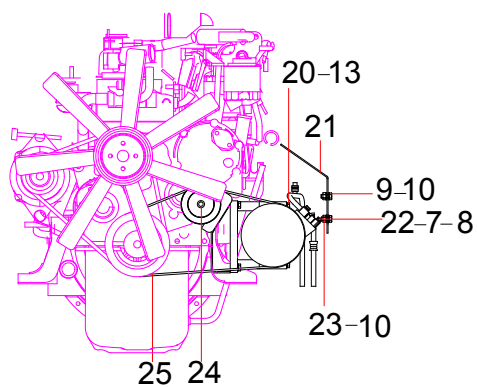
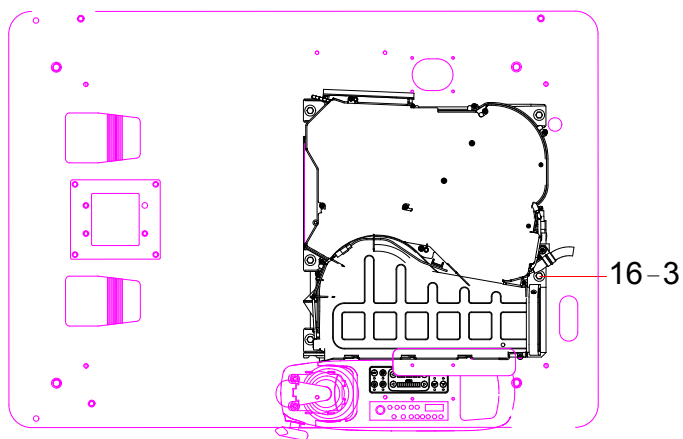
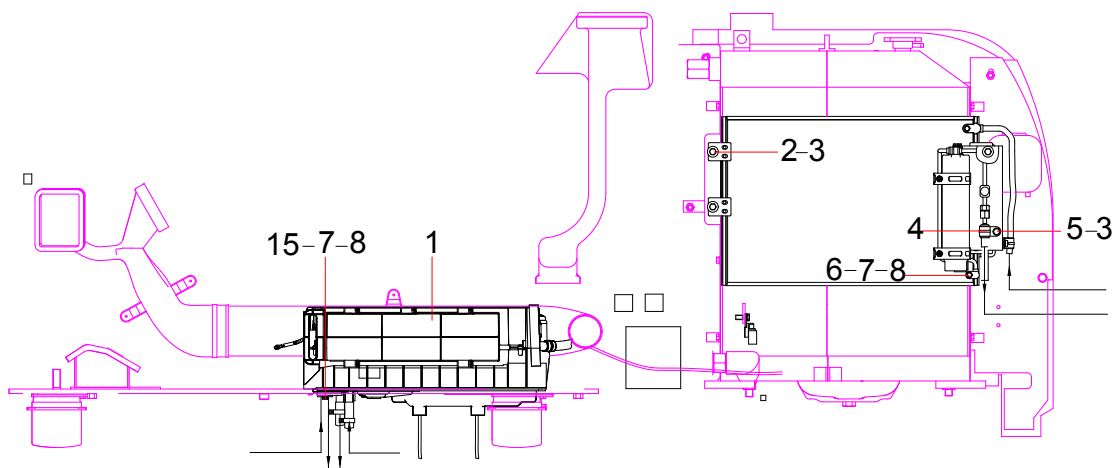
No.	Part No.	Description	Qty	Page number
1	60171201	Left armrest box cover	1	
2	60171198	Armrest box body	1	
3	60203049	Right shell body of leading switch	1	
4	60203051	Leading switch connecting rod	1	
5	60203048	Left shell body of leading switch	1	
6	60203050	Leading switch end cover	1	
7	60203052	Leading switch end rod	1	



No.	Part No.	Description	Qty	Page number
1	60171199	Right armrest box cover	1	
2	60171198	Armrest box body	1	

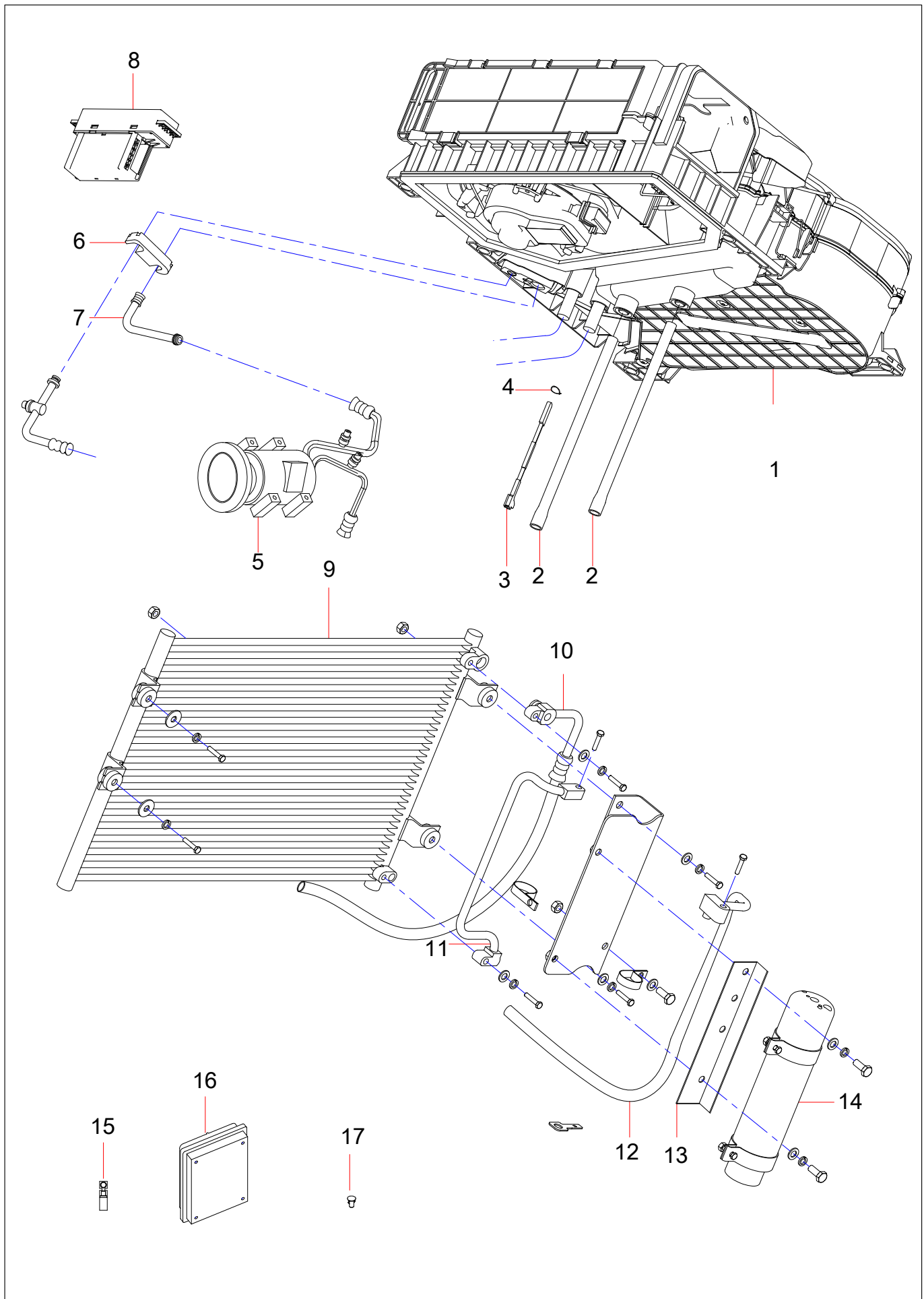


No.	Part No.	Description	Qty	Page number
1	12062586	base plate	1	
2	60002703	cab Silicon oil shock absorber	4	
3	A210111000024	Bolt	16	
4	60060553	Washer	4	
5	A210307000028	Nut	8	
6	12643886	Floor Cushion	1	
7	A820606030056	Grommet	2	
8	A820699000215	Back sponge	2	
9	11664456	adjusting spacer	2	
10	11664457	adjusting spacer	4	
11	14387726	Rubber sleeve	1	
12	13827031	right sealing sponge	1	
13	13827030	front sealing sponge	1	
14	A820101117029	Cushion	4	
15	24000637	Washer	4	
16	A210111000195	Bolt	4	
17	13827032	left sealing sponge	1	
18	13827033	left sealing sponge	1	
19	13842101	Bottom board sponge of cab	2	
20	13842102	Bottom board sponge of cab	2	

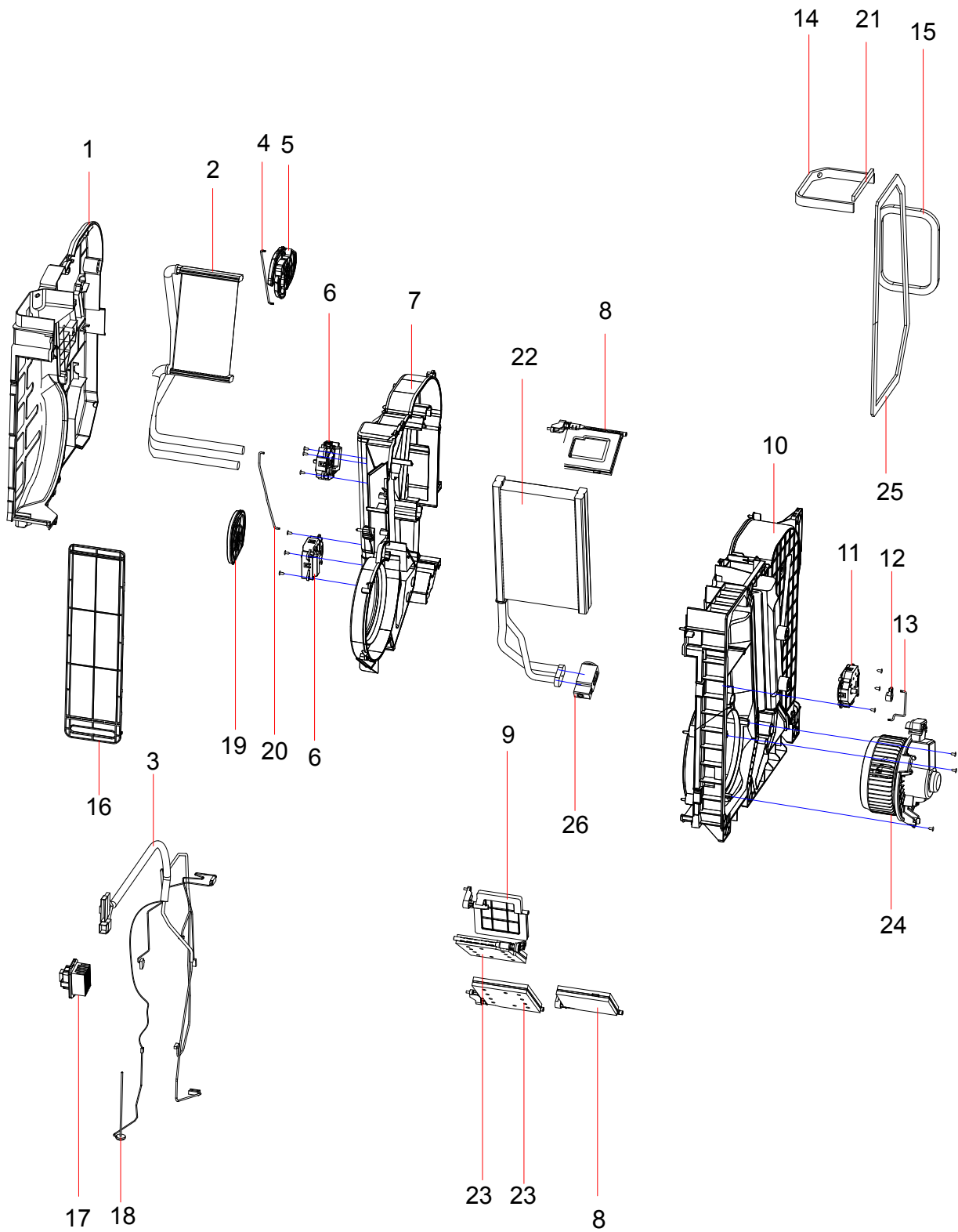




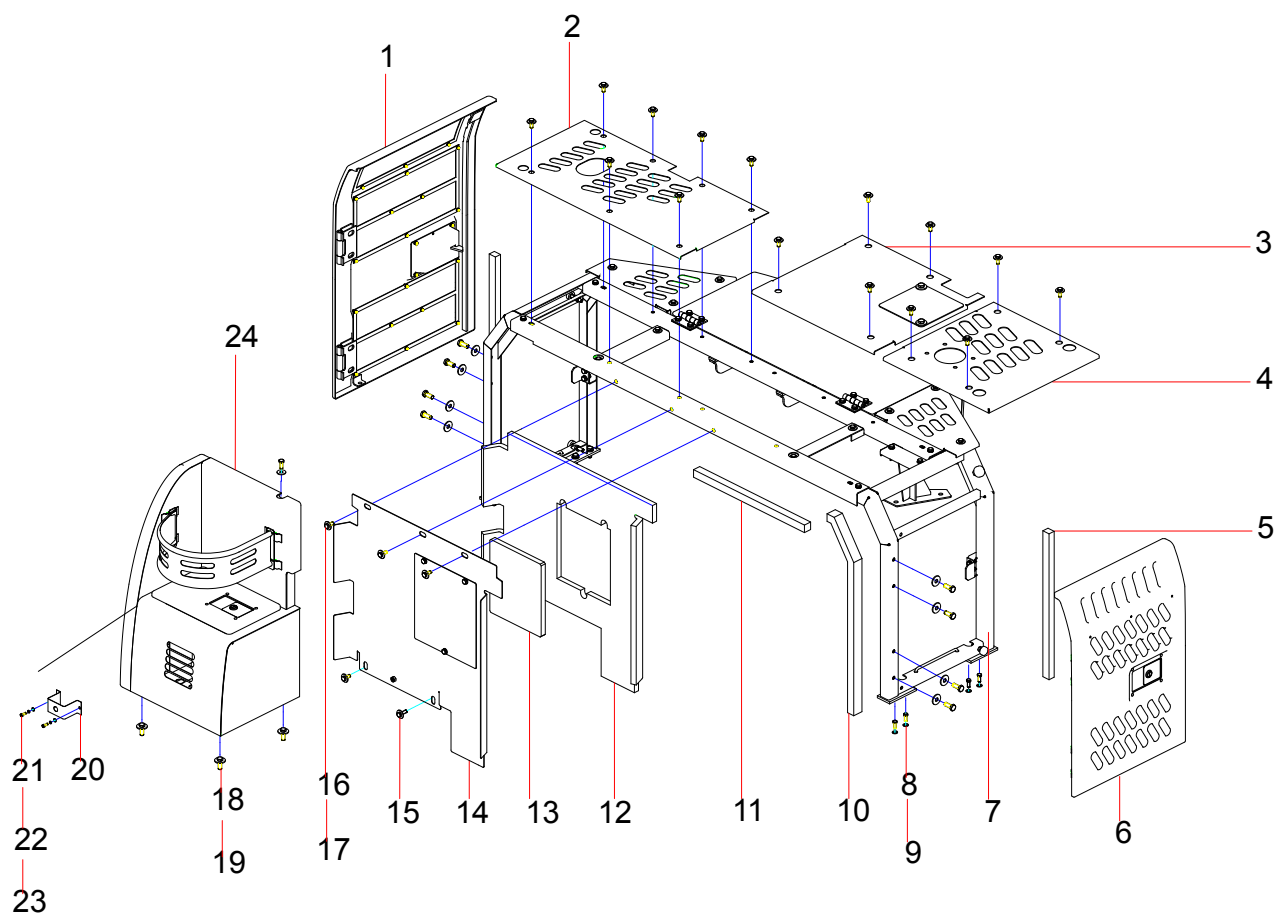
No.	Part No.	Description	Qty	Page number
1	61017350	Air Condition	1	2-74
2	A210111000092	Bolt	4	
3	60060565	Washer	11	
4	60086354	Clamp	2	
5	A210111000342	Bolt	4	
6	A210111000082	Bolt	3	
7	60060564	Washer	7	
8	24000632	Washer	7	
9	A210204000334	Bolt, socket head	4	
10	24000637	Washer	5	
11	60149606	Clamp	1	
12	A210307000055	Nut	2	
13	24000633	Washer	9	
14	11084177	bracket of reveiver drier to radiator	1	
15	A210111000081	Bolt	2	
16	A210111000090	Bolt	5	
17	11084196	Pipe, cold pipe, air conditioner	1	
18	60166393	Split flow gear pump	4	
19	11423740	bracket	1	
20	A210111000097	Bolt	4	
21	13566137	protective plate	1	
22	A210111000083	Bolt	2	
23	A210307000036	Nut	1	
24	60009582	Tension wheel	1	
25	A230106000322	Type A Triangular Belt	1	
26	14481656	water pipe	1	



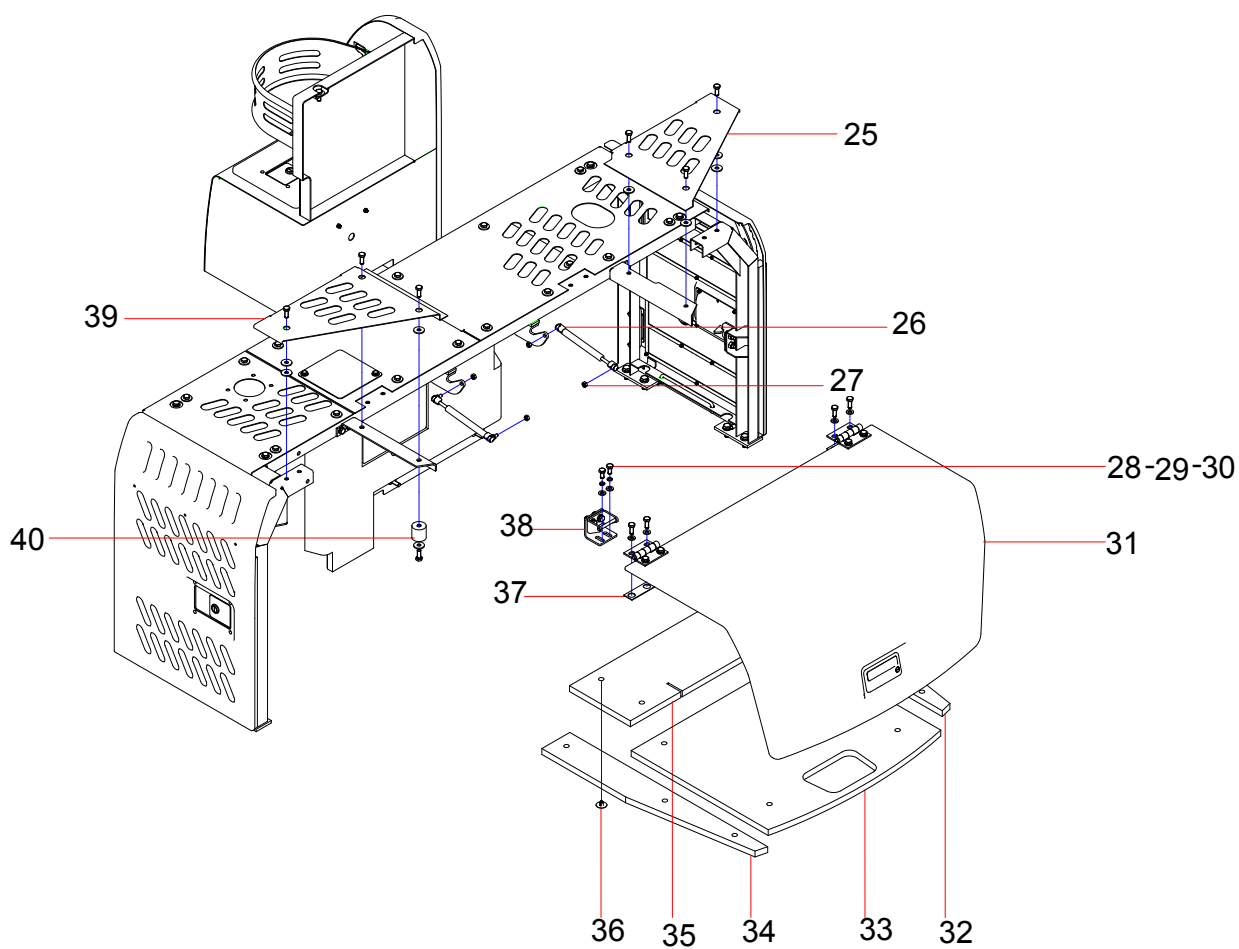
No.	Part No.	Description	Qty	Page number
1	60030991	Evaporator	1	2-76
2	A229900009481	Hose, drain	2	
3	60033039	Coolant temperature sensor	1	
4	A239900000066	Strap, Nylon	1	
5	B220203000007	Compressor	1	
6	60250668	Plate	1	
7	60030343	HVAC to condenser hose assembly	1	
8	60247379	Panel, control	1	
9	A220700000028	Condenser	1	
10	60001232	Exhaust hose	1	
11	60030341	Condenser to reservoir hose assembly	1	
12	60266971	Reservior-Hvac Hose	1	
13	A229900008784	Bracker, dryer clamp	1	
14	B229900005141	Dryer reservoir	1	
15	A240600000249	External air sensing device 077500-5191	1	
16	60250669	Filter	1	
17	B240600000334	Sensor, sunlight	1	



No.	Part No.	Description	Qty	Page number
1	60088103	Body, shell	1	
2	60088086	Core assy for heat	1	
3	60088108	Harwess	1	
4	60088081	Shaft	1	
5	60088085	Panel, control	1	
6	60049947	Motor AS, servo	2	
7	60088107	Body, shell	1	
8	60088078	Air door	2	
9	60088079	Air door	1	
10	60088104	Body, shell	1	
11	60049945	Motor AS with attachments, servo	1	
12	60088096	Lever	1	
13	60088080	Shaft	1	
14	60088089	Gasket	1	
15	60088091	Gasket	1	
16	60088111	Inner air filter	1	
17	60088083	Speed governing resistance	1	
18	60088110	Indoor sensor	1	
19	60088084	Panel, control	1	
20	60088082	Shaft	1	
21	60088090	Gasket	1	
22	60088105	Evaporator core	1	
23	60088077	Air door	2	
24	60088088	Blower	1	
25	60088092	Gasket	1	
26	60123238	Expansion valve	1	

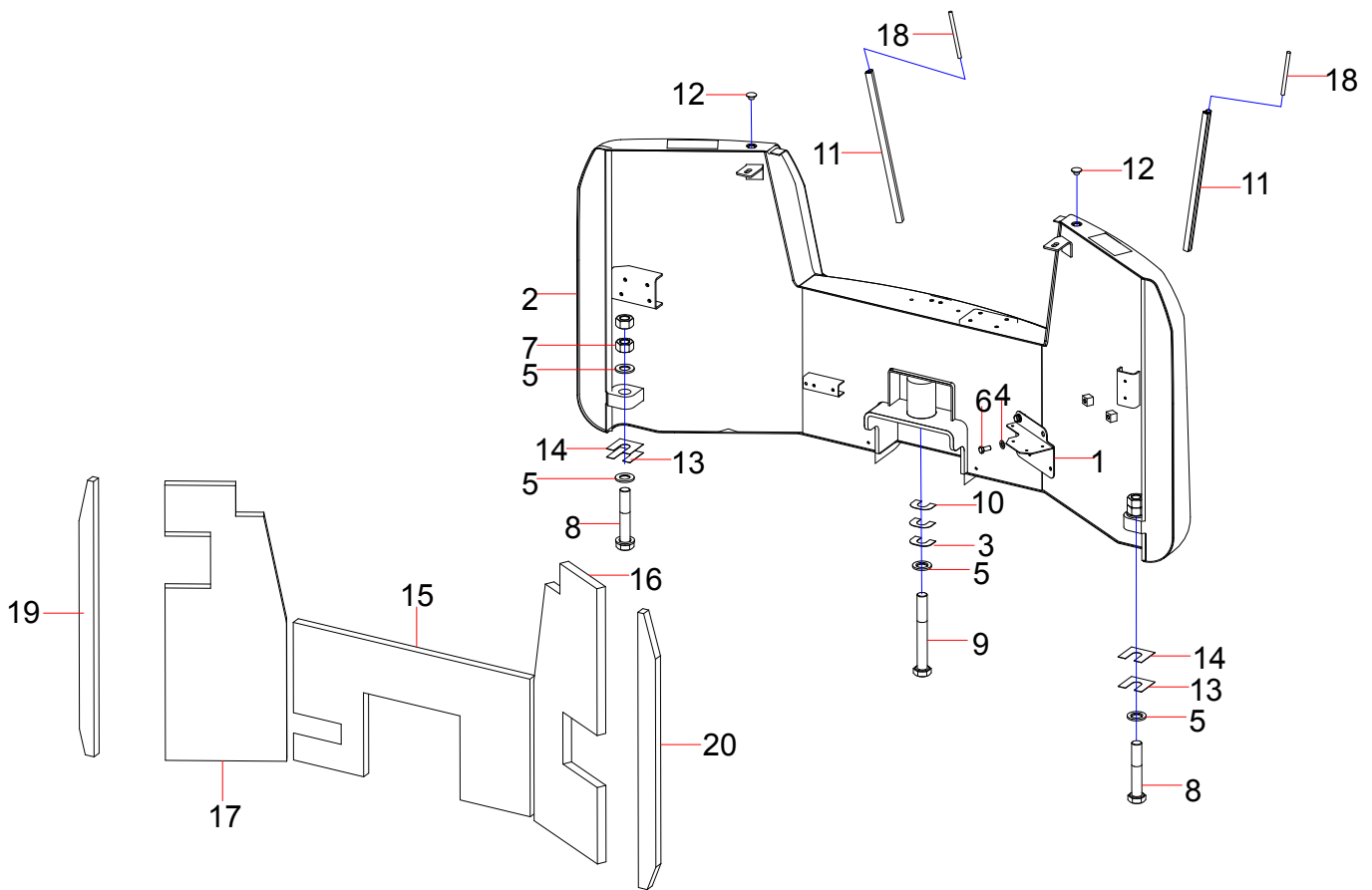


No.	Part No.	Description	Qty	Page number
1	13881300	Right Door	1	
2	13644682	right upper cover plate	1	
3	13929863	right upper cover plate assy	1	
4	13929862	right upper cover plate weldment	1	
5	12121473	Limit Sponge	2	
6	13881295	Left Door Plate	1	
7	13139925	bracket assem.	1	
8	A210111000202	Bolt	8	
9	24000639	Washer	8	
10	12049855	Sponge	1	
11	12049959	Sponge	1	
12	13797229	distance piece sponge	1	
13	11049187	sponge on sealing board	1	
14	13794933	clapboard assy	1	
15	A210111000024	Bolt	2	
16	60060546	Washer	39	
17	A210111000197	Bolt	39	
18	60060548	Washer	4	
19	A210111000203	Bolt	4	
20	A820101216763	Bracket	1	
21	A210204000130	Screw	2	
22	60060564	Washer	2	
23	24000632	Washer	2	
24	10872465	HoodAS Engine	1	

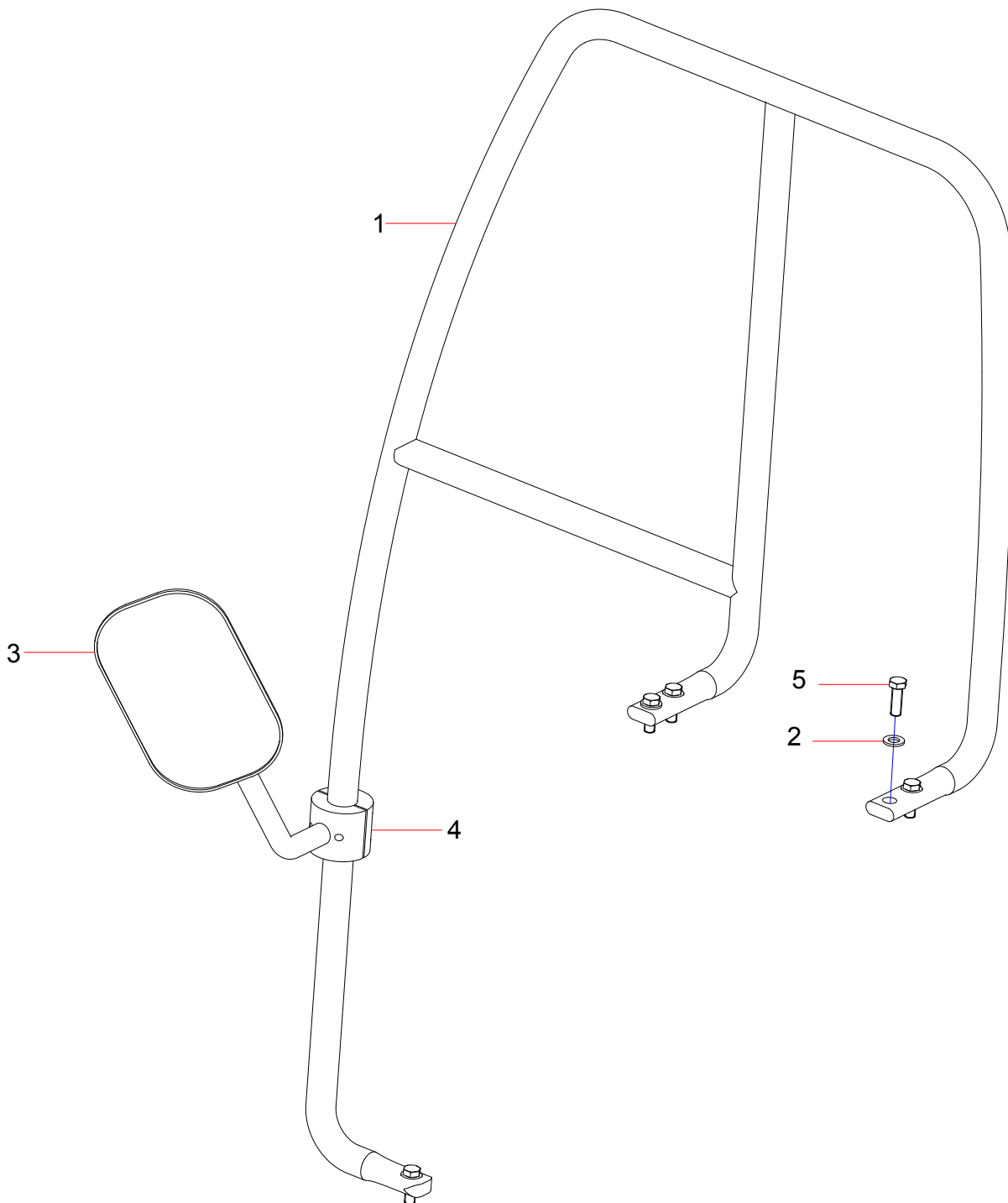




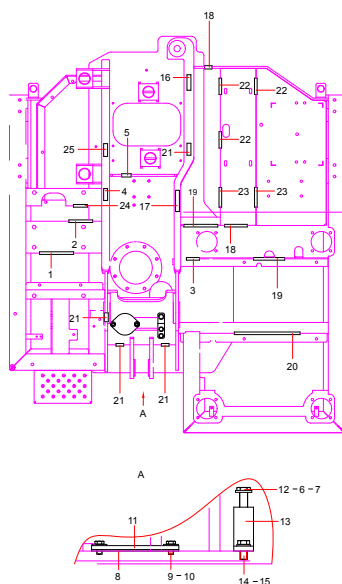
No.	Part No.	Description	Qty	Page number
25	11339644	right back cover plate	1	
26	60078542	Rear hood gas spring	2	
27	A210307000012	Nut	4	
28	24000512	Washer	2	
29	A210111000012	Bolt	2	
30	24000637	Washer	6	
31	11297512	Assembly of Rearhood	1	
32	14008255	right sponge of rear hood	1	
33	14008257	lower sponge of rear hood	1	
34	14008254	left sponge of rear hood	1	
35	14008256	upper sponge of rear hood	1	
36	11961759	Cramp	15	
37	11234421	Adjusting spacer	2	
38	11292833	General Assembly of Locker	1	
39	11234443	left rear cover plate assm.	1	
40	A230102000054	Elastic pad of radiator SY60.1.3.3-11	2	



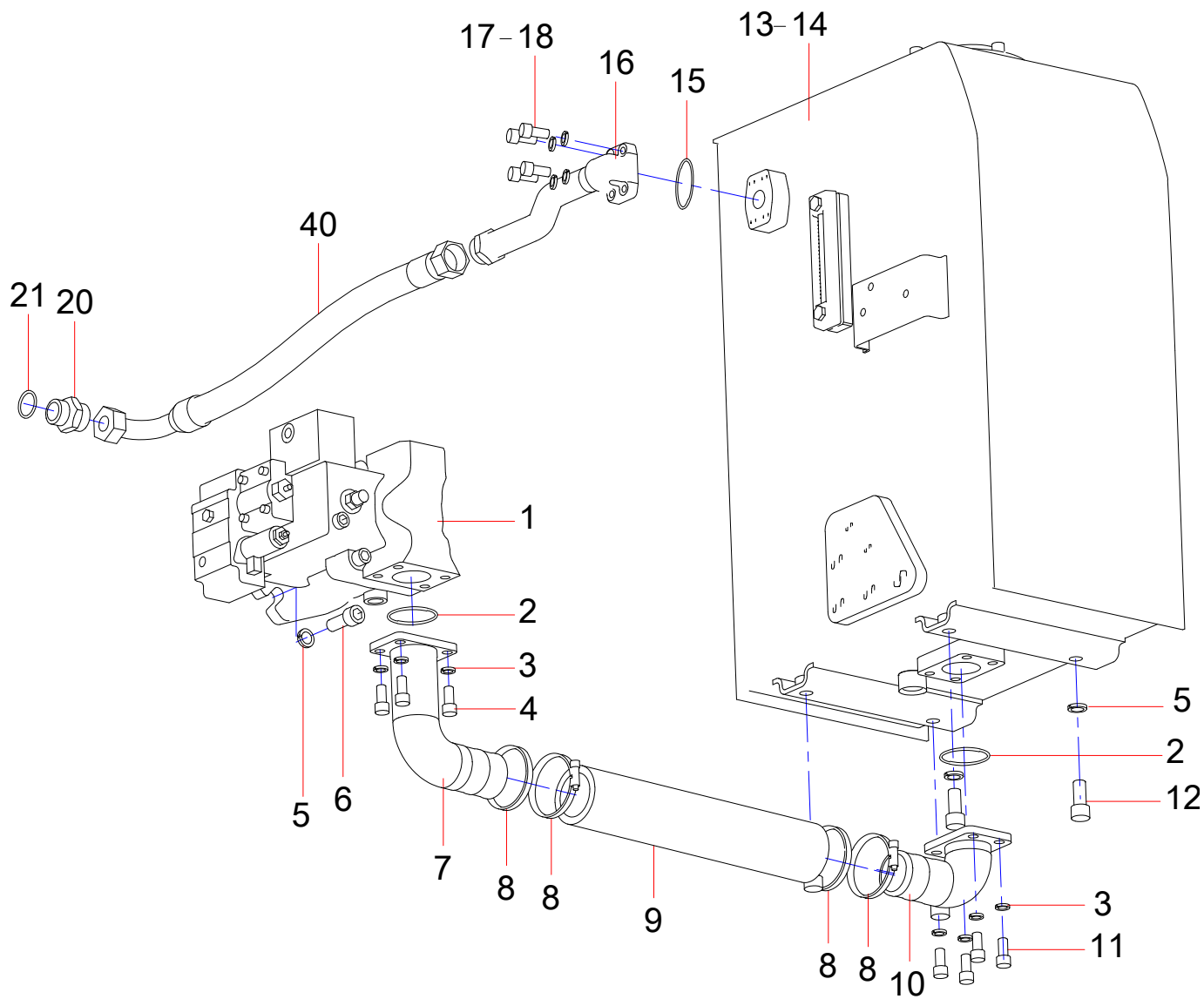
No.	Part No.	Description	Qty	Page number
1	11455658	relay mounting plate	1	
2	13431953	main counterweight body	1	
3	11664457	adjusting spacer	1	
4	24000639	Washer	2	
5	A210444000003	Washer	5	
6	A210111000199	Bolt	2	
7	A210307000009	Nut	4	
8	A210110000435	Bolt M30×170GB5782 Grade 10.9	2	
9	A210110000450	Bolt	1	
10	A820101327187	shim	2	
11	10869499	Sealing strip	2	
12	11039416	rubber plug screw	2	
13	11039429	Adjusting spacer	2	
14	11039439	adjusting spacer	2	
15	14008342	counterweight sponge	1	
16	14008341	counterweight sponge	1	
17	14008340	counterweight sponge	1	
18	11939617	Rubber plastic rib	2	
19	12258464	Right end sealing board sponge	1	
20	12258468	Left end sealing board sponge	1	



No.	Part No.	Description	Qty	Page number
1	11479085	Armrest component	1	
2	24000639	Washer	5	
3	60228208	rearview mirror	1	
4	13498075	right lower bearer-rear view mirror	1	
5	A210111000202	Bolt	5	

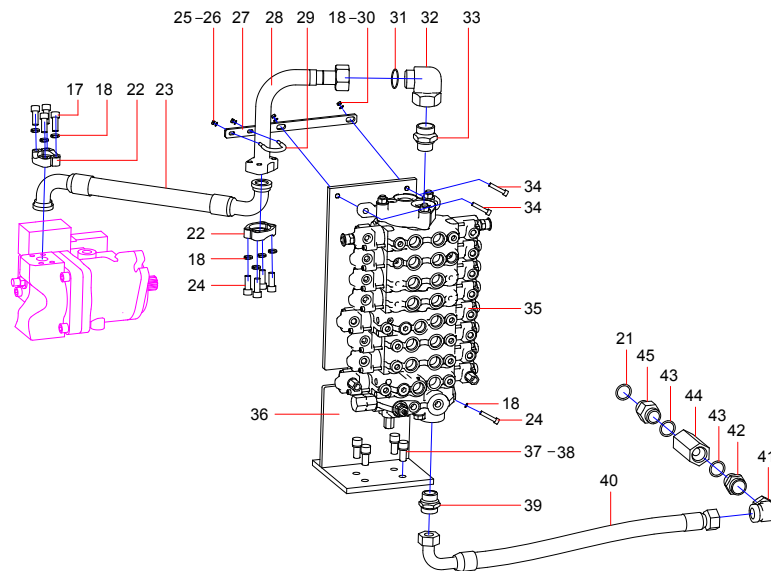


No.	Part No.	Description	Qty	Page number
1	11133748	Protective Sleeve	1	
2	11133751	Protective Sleeve	1	
3	11133736	Protective Sleeve	1	
4	11138560	Rubber retainer	1	
5	11133774	Protective Sleeve	1	
6	A210111000347	Bolt	1	
7	A210491000118	Washer	2	
8	A820606030364	Gasket	1	
9	A210111000012	Bolt	2	
10	60060546	Washer	2	
11	A820101117871	Cover	1	
12	A210307000028	Nut	1	
13	A820101343538	Fixed Plate	1	
14	A210111000205	Bolt	2	
15	A210444000001	Washer	2	
16	13036178	Protective sleeve	1	
17	11133779	Protective Sleeve	1	
18	11133760	Protective Sleeve	1	
19	11133754	Protective Sleeve	2	
20	11133761	Protective Sleeve	1	
21	12158298	Protective Sleeve	4	
22	13817420	Protective sleeve	4	
23	13817422	Protective sleeve	2	
24	13817427	Protective sleeve	1	
25	13817425	Protective sleeve	1	

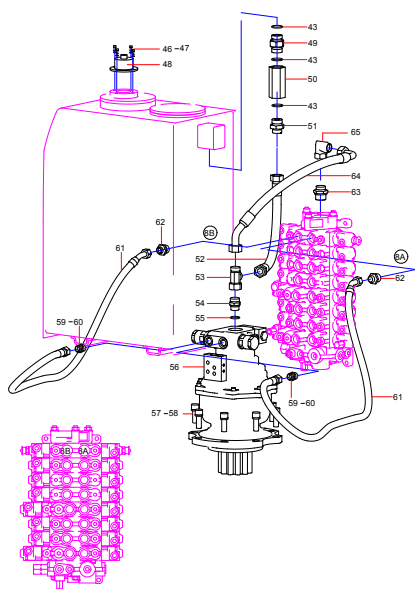




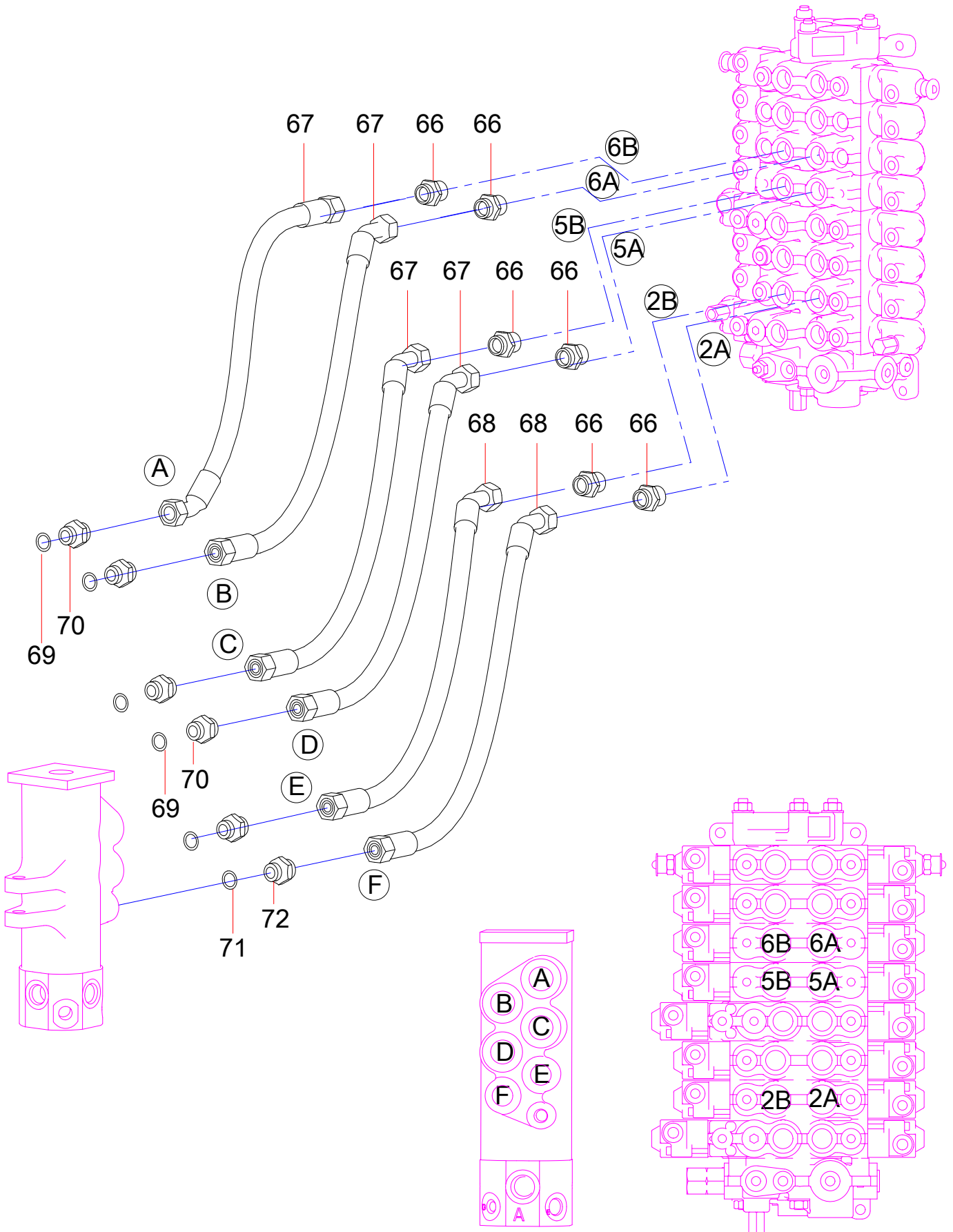
No.	Part No.	Description	Qty	Page number
1	60154165	Plunger Pump	1	2-98
2	B230101000366	O-ring	2	
3	24000513	Washer	4	
4	A210204000337	Screw	8	
5	A210491000118	Washer	6	
6	A210204000203	Screw	2	
7	13037592	Oil suction tube	1	
8	A210855000013	Throat collar	4	
9	13037532	hose, suction	1	
10	13037650	Oil tube	1	
11	A210204000167	Screw	4	
12	A210204000198	Screw	4	
13	12158635	Hydraulic Fuel Tank Assy	1	2-104
14	13429032	Hydraulic Fuel Tank sponge	1	
15	B230101000456	O-ring	1	
16	A810201024807	Pipe, oil return	1	
17	A210204000354	Screw	8	
18	24000512	Washer	25	
20	10620906	M33-M36connector	1	
21	A210609000136	O-ring	2	
40	B230103001587	Rubber hose	1	



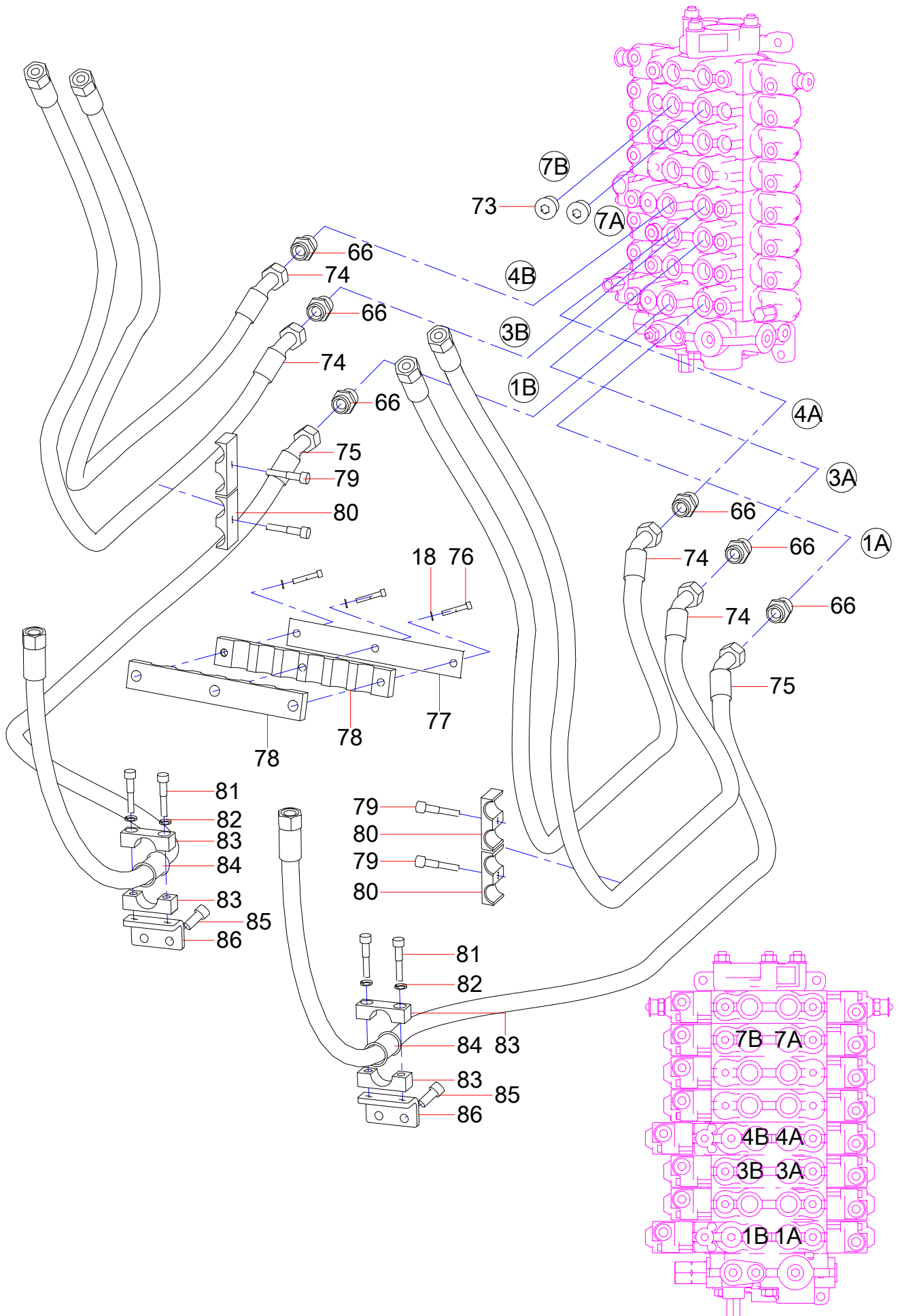
No.	Part No.	Description	Qty	Page number
17	A210204000354	Screw	8	
18	24000512	Washer	25	
21	A210609000136	O-ring	2	
22	B210780000244	Flange, Split	4	
23	60231654	rubber hose	1	
24	A210204000215	Screw	5	
25	23000169	Nut	2	
26	60060564	Washer	2	
27	10849259	Supporting Plate	1	
28	10849262	Pipe, oil inlet	1	
29	10849258	U-shape pipe clamp	1	
30	A210307000036	Nut	2	
31	B230101000031	O-Ring-25.3	1	
32	B210780001241	Fitting, Elbow	1	
33	24001376	Fitting, connector	1	
34	A210204000356	Screw	2	
35	60015195	Multi-port Valve	1	2-106
36	10470642	Main Valve Frame	1	
37	A210204000213	Screw	6	
38	24000612	Washer	6	
39	B210780001005	Fitting, adapter	1	
40	B230103001587	Rubber hose	1	
41	B210780000838	Fitting, Elbow	1	
42	A820205002468	Connector	1	
43	B230101000050	O-ring	5	
44	A220401000295	One-Way Valve	1	
45	A820205002626	Connector	1	



No.	Part No.	Description	Qty	Page number
43	B230101000050	O-ring	5	
46	60249819	Screw	4	
47	24000632	Washer	4	
48	60237031	Breather Valve	1	
49	A820205002464	Connector	1	
50	A220401000334	One-Way Valve	1	
51	A820205002466	G1-M30 Connector	1	
52	B230103003812	Hose Assembly	1	
53	B210780000018	Fitting, Tee	1	
54	21002826	Fitting, Connector	1	
55	60082912	O-ring	1	
56	60133878	Reducer Assembly	1	2-124
57	A210204000232	Screw	8	
58	24000514	Washer	8	
59	21002822	Fitting	2	
60	B230101000090	O-Ring	2	
61	60212557	Rubber Hose	2	
62	B210780000824	Stud Straight Connector	2	
63	B210780001047	Stud Straight Connector	1	
64	60154669	RubberHose	1	
65	B210780000028	Fitting, Elbow	1	

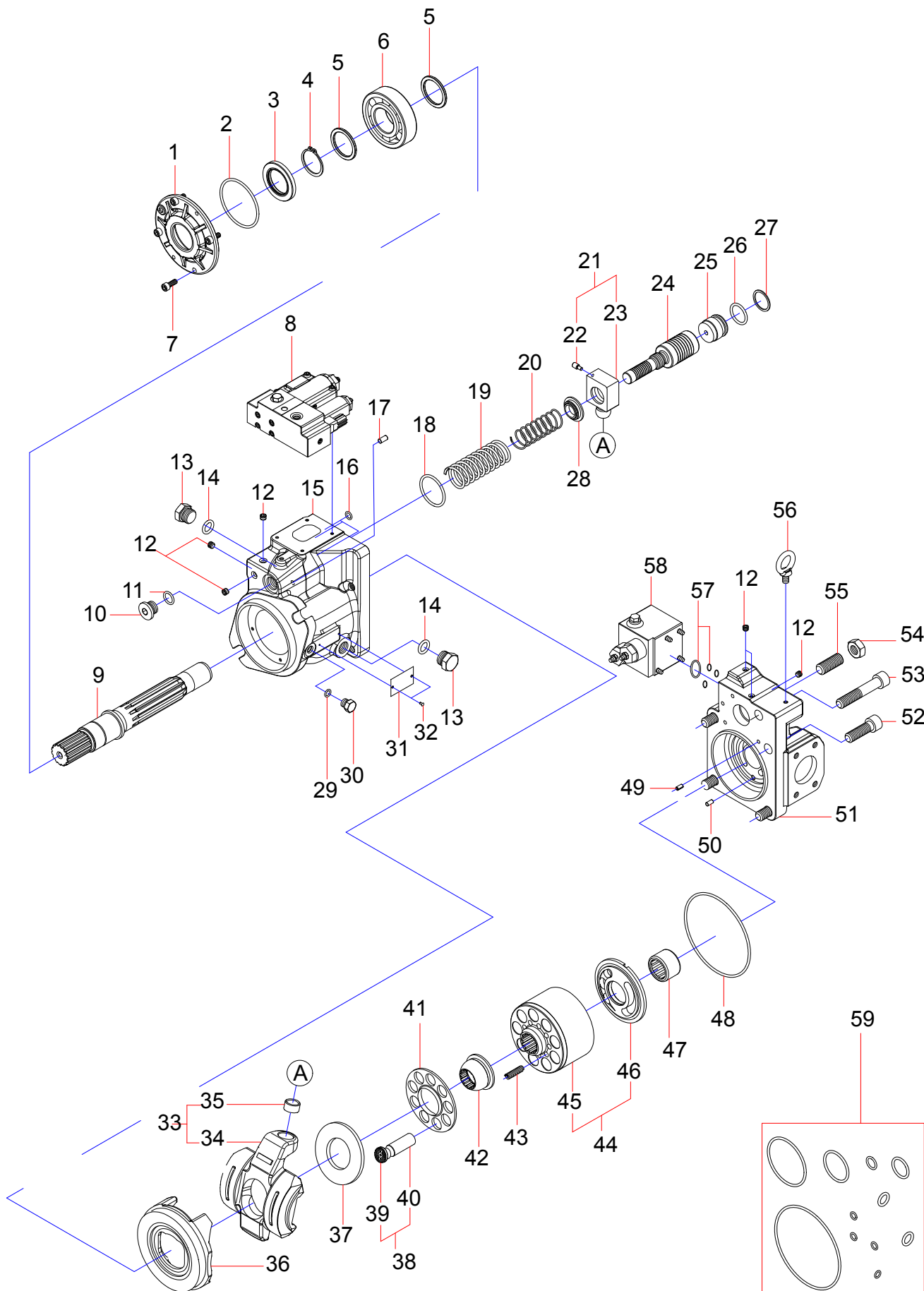


No.	Part No.	Description	Qty	Page number
66	B210780000184	Stud Ends	12	
67	B230103005734	Rubber Hose	4	
68	B230103006472	Rubber Hose	2	
69	A230101000244	O-ring	4	
70	A820205002377	Fitting	4	
71	A230101000243	O-ring 16.7×3.5(JISB2401)	2	
72	A820205002378	Connector	2	

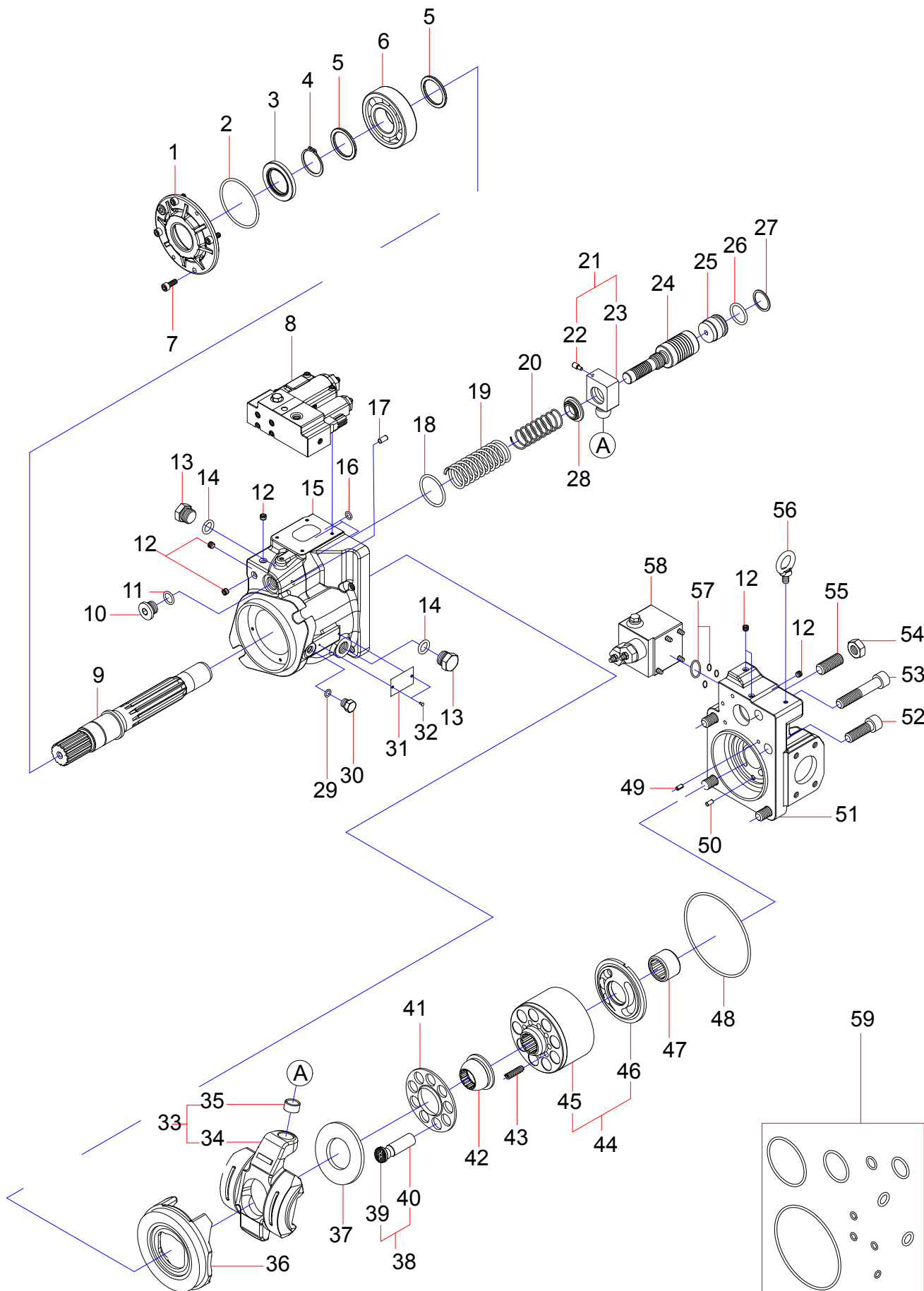




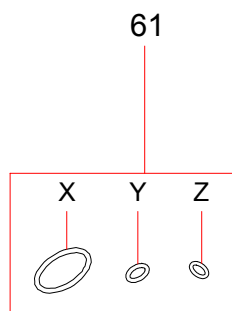
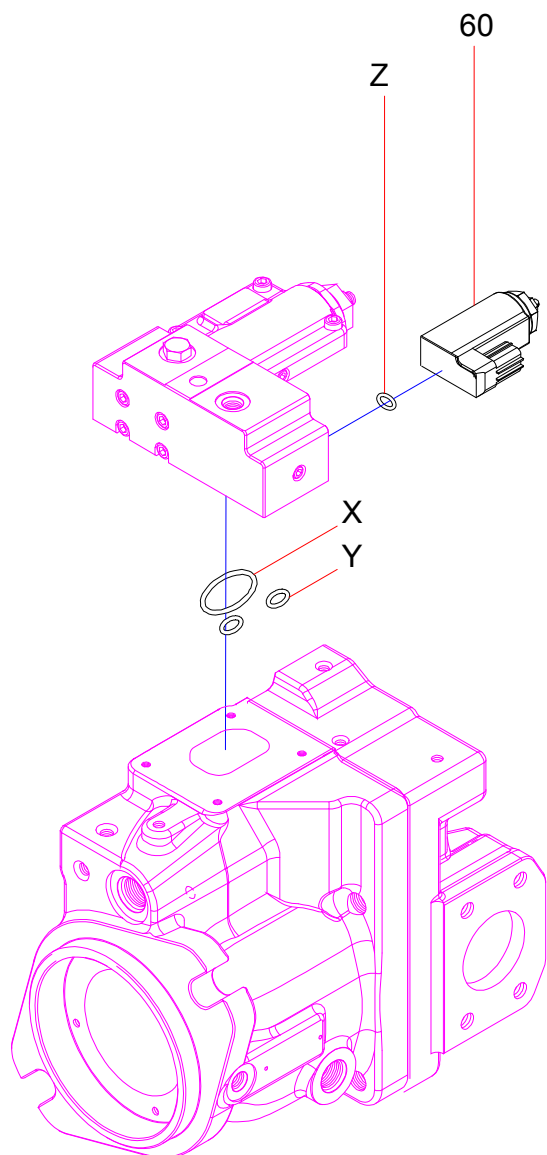
No.	Part No.	Description	Qty	Page number
18	24000512	Washer	25	
66	B210780000184	Stud Ends	12	
73	B210780001397	Plug	2	
74	60028445	Pipe	4	
75	B230103005609	Rubber Hose	2	
76	A210204000357	Bolt	3	
77	A820101357603	Board	1	
78	A820601040450	Clip, hose	2	
79	21027532	Screw	6	
80	10209832	Clamp, pipe	4	
81	A210204000335	Screw	4	
82	24000511	Washer	6	
83	11664307	Mounting block	4	
84	A820202005473	Clamp, pipe, rubber	2	
85	A210111000024	Bolt	4	
86	12796771	pipeline bearer	2	



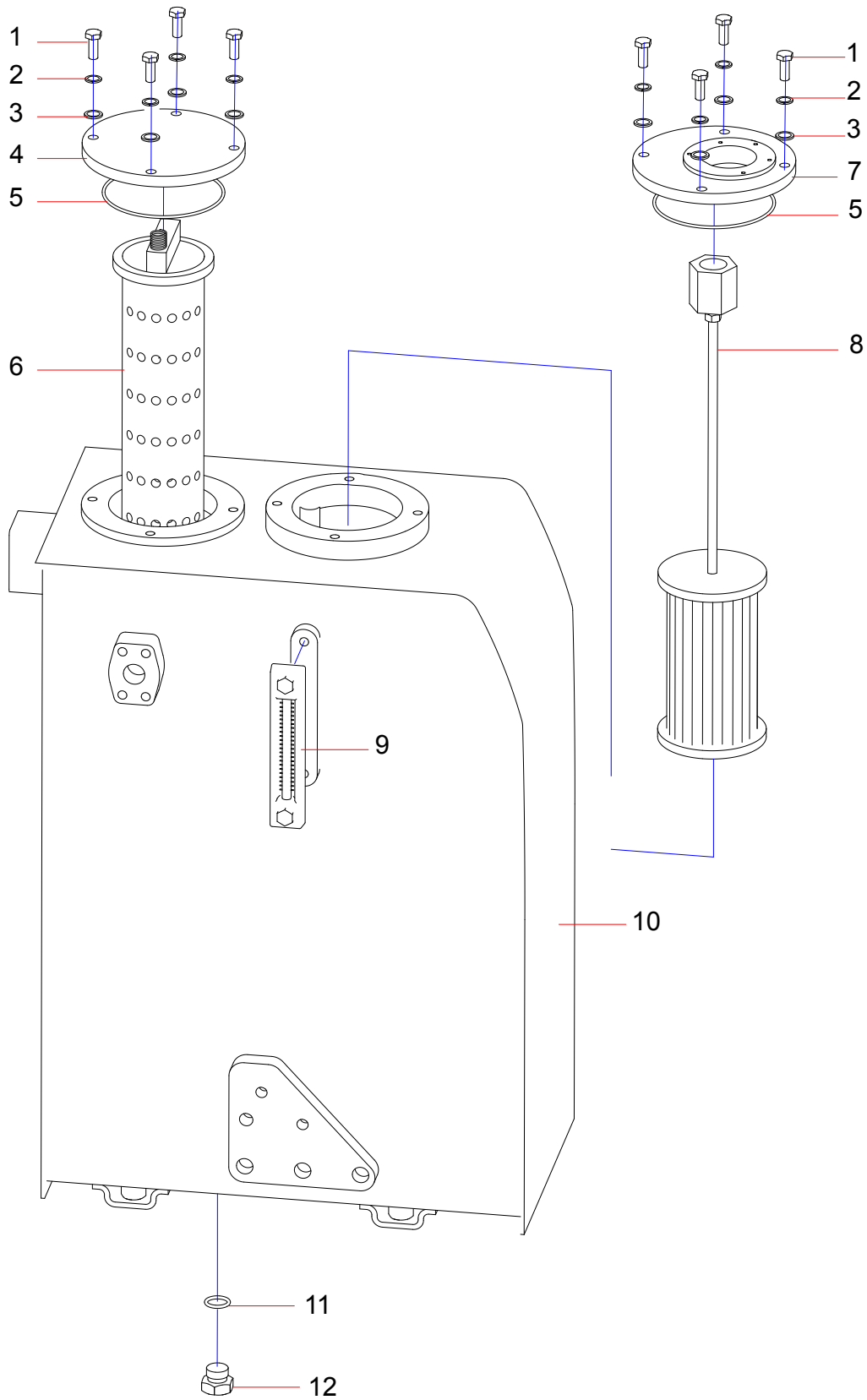
No.	Part No.	Description	Qty	Page number
1	60082188	Oil seal cover	1	
2	60082183	O-ring	1	
3	60038865	Oil seal	1	
4	B229900005996	Clip	1	
5	60038677	Bearing washer	2	
6	60038136	Column ball bearing	1	
7	60038565	Bolt, socket head	4	
8	60198289	Torque limiter	1	
9	60082168	Shaft drive	1	
10	60032919	Fixation block	1	
11	60038725	O-ring	1	
12	60008728	Screw, set	6	
13	60082177	Plug	2	
14	60082185	O-Ring	2	
15	60198284	Pump casing	1	
16	60038727	O-ring	3	
17	60082179	Pin	1	
18	60082182	O-ring	1	
19	60082172	Outer spring	1	
20	60082163	Inner spring	1	
21	60084848	Tilting pin assembly	1	
22	60082157	Feedback pin	1	
23	60082167	Tilting pin	1	
24	60082170	Server piston	1	
25	60082141	Stopper(L)	1	
26	60038708	O-ring(seal)	1	
27	60038279	Retainer ring	1	
28	60082152	Spring seat	1	
29	60082184	O-ring	1	
30	60082178	Plug	1	
31	60100511	Nameplate	1	
32	60008722	Rivet	2	
33	60084851	Swash plate assembly	1	
34	60082174	Swashplate	1	
35	60082166	Tilting bush	1	
36	60198283	Swash plate support	1	
37	60038379	Slipper plate	1	
38	60084853	Piston assembly	1	
39	60082144	Shoe	9	
40	60082180	Piston	9	



No.	Part No.	Description	Qty	Page number
41	60082175	Board	1	
42	60038585K	Spherical liner sleeve	1	
43	60038383	Cylinder spring	9	
44	60084845	Cylinder assembly	1	
45	60082158	cylinder body	1	
46	60082165	Distributing Oil Disc	1	
47	60038124	Needle bearing	1	
48	60082181	O-ring	1	
49	60038260	Spring(pin)	1	
50	60038579	Oil distribution plate pin	1	
51	60198285	Valve cover	1	
52	60082160	Screw	4	
53	60198286	Inner hexagon bolt	1	
54	60038452	Nut	1	
55	60082155	Adjusting threaded rod	1	
56	60198287	Eye bolt	1	
57	150188000002	Repair kit	1	
58	60198288	Regulator	1	
59	61006439	Main pump maintenance package	1	

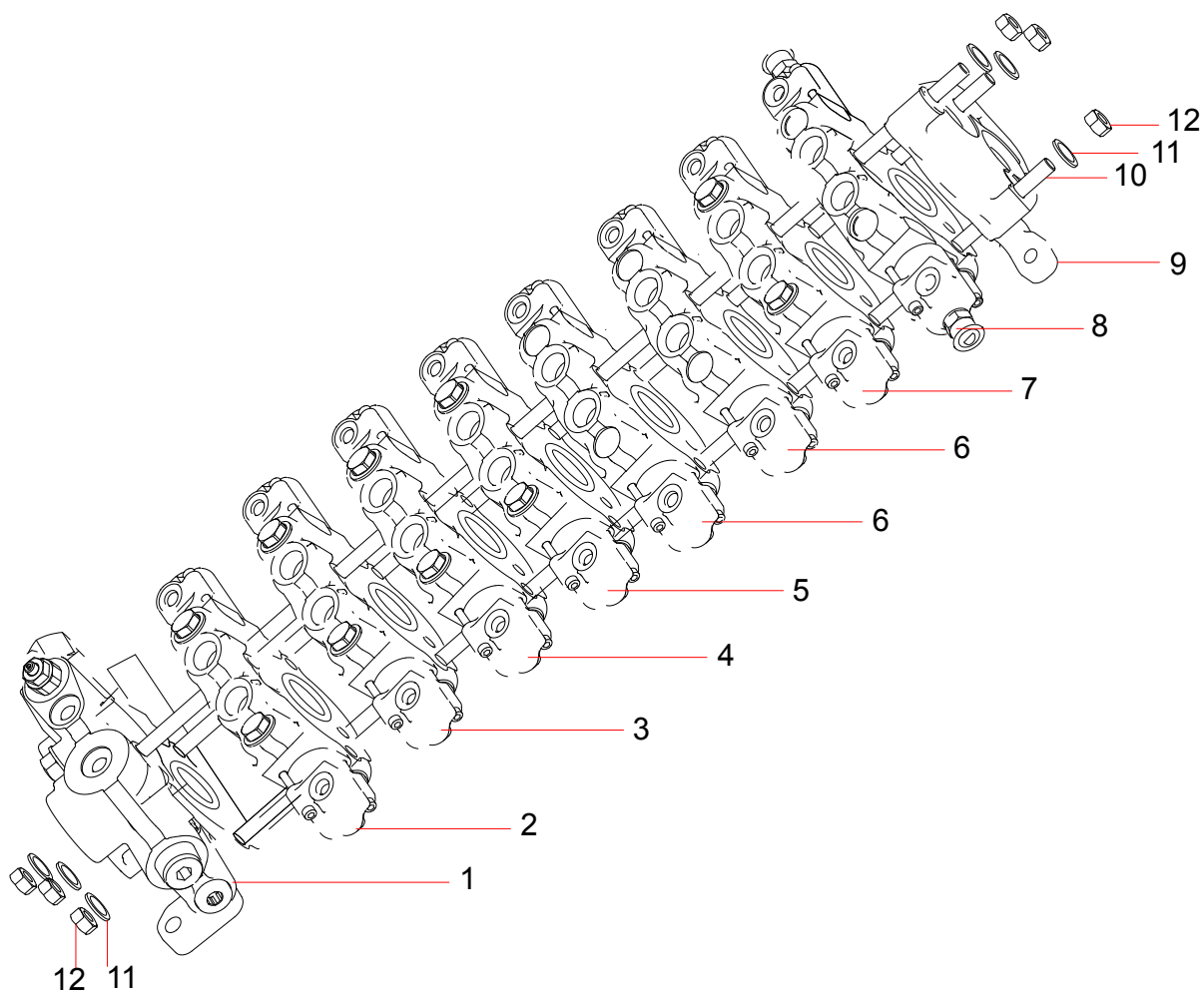


No.	Part No.	Description	Qty	Page number
60	150188000001	Valve, reducing	1	
61	150188000003	Repair kit	1	

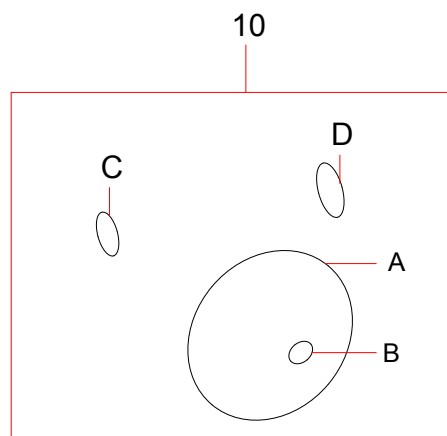
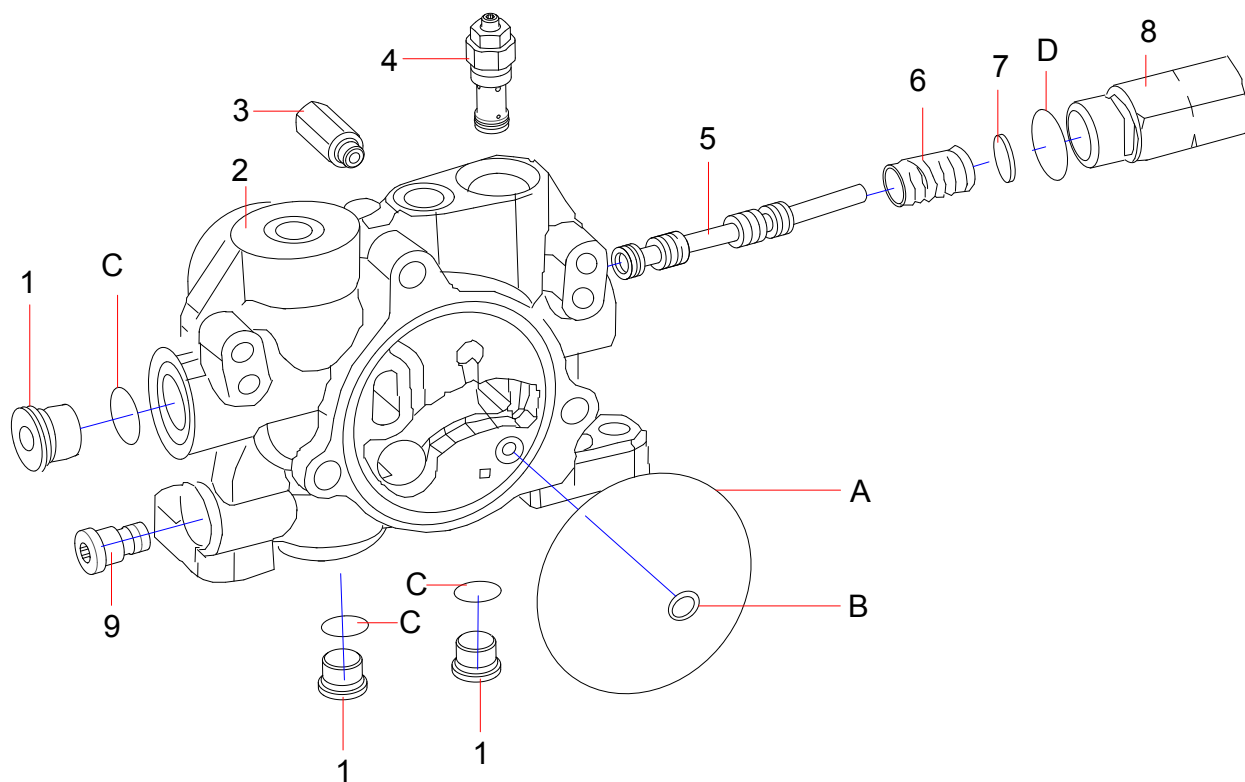




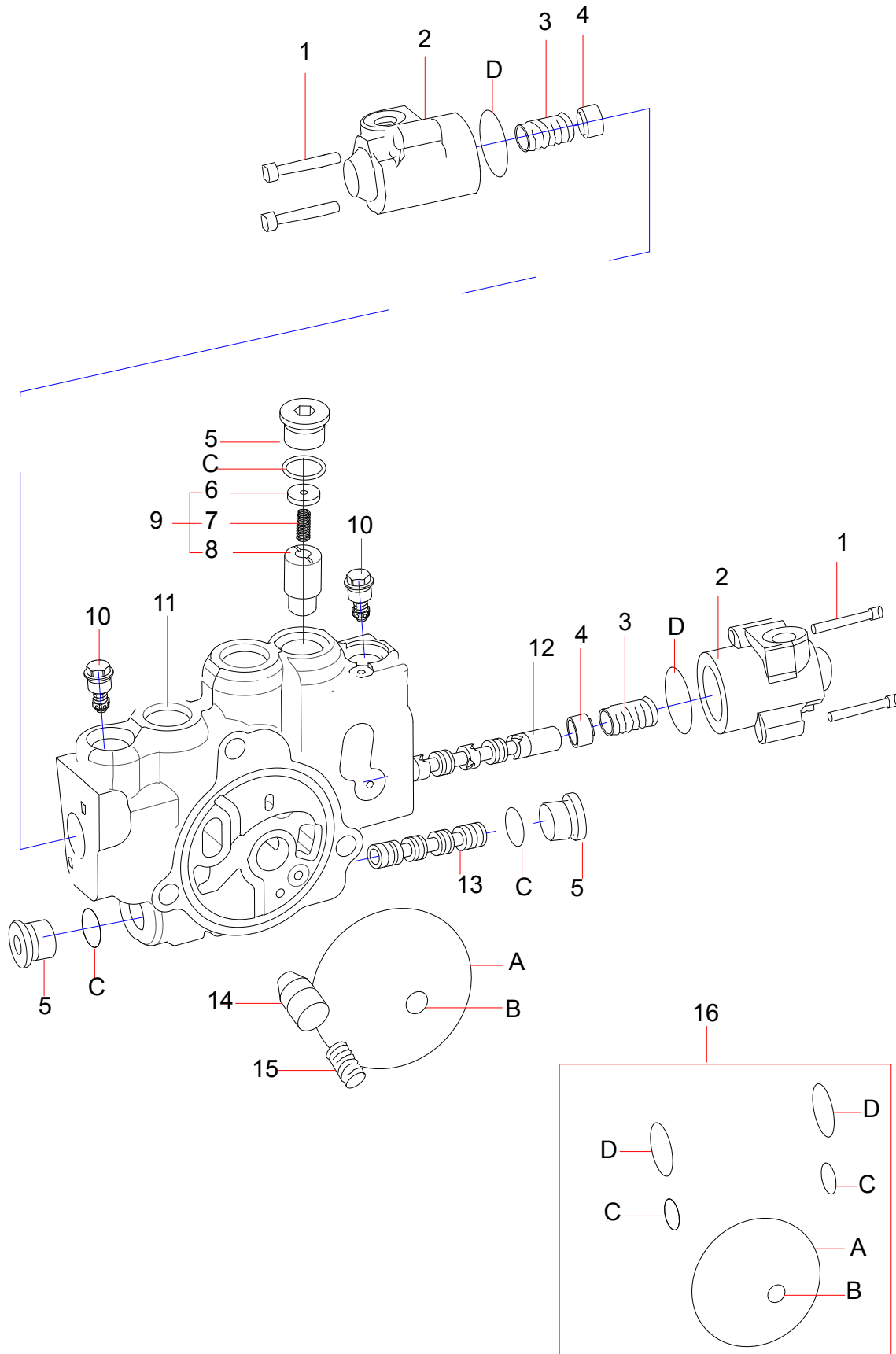
No.	Part No.	Description	Qty	Page number
1	A210204000354	Screw	8	
2	24000512	Washer	8	
3	A210491000120	Washer	8	
4	A810201011303	Oil return cover	1	
5	B230101000614	O-ring	2	
6	60072195	Oil return filter	1	
7	12074275	Suction Cover	1	
8	60072196	Oil suction filter	1	
9	A250100000174	Gauge, sight glass	1	
10	12158296	Hydraulic Fuel Tank	1	
11	B230101000356	O-ring	1	
12	10514225	Screw plug	1	



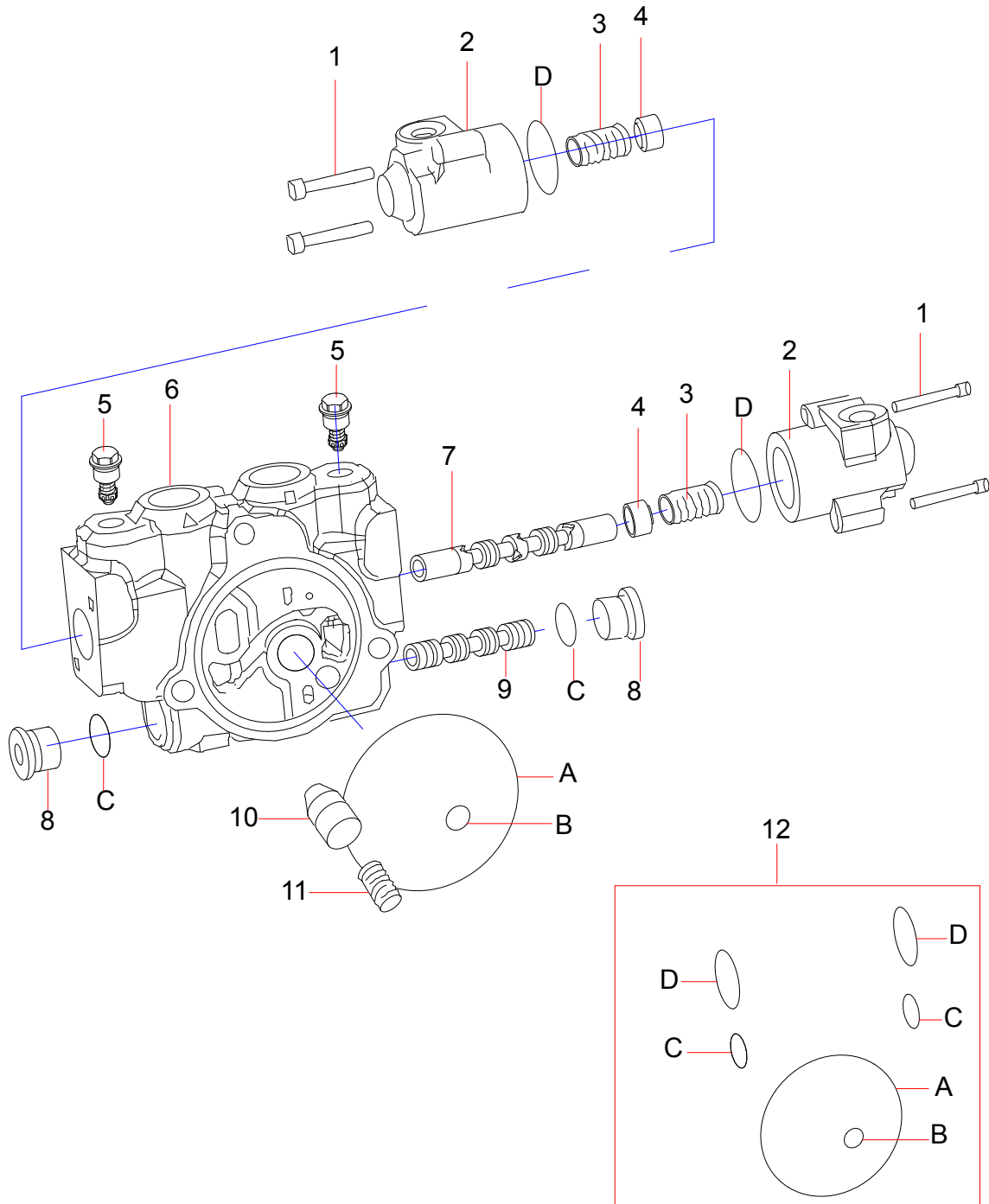
No.	Part No.	Description	Qty	Page number
1	61022653	Inlet Section	1	2-108
2	60086264	Boom Section	1	2-110
3	61022640	Dozer Section	1	2-112
4	60086263	Bucket Section	1	2-114
5	60310753	Arm Section	1	2-116
6	60086270	Track Section	2	2-118
7	60086266	Aux Section	1	2-120
8	60310754	Slew Section	1	2-122
9	61022641	Housing	1	
10	60067857	Tie Rod	3	
11	21001334	Washer	6	
12	24000874	Nut M12GB6170 dacrotizing	6	



No.	Part No.	Description	Qty	Page number
1	60067852	plug Assy	3	
2	150688000195A	Housing	1	
3	60067820	Check Valve Assembly	1	
4	60310755	Drain Regulator Assembly	1	
5	150688000217A	Spool	1	
6	60067849	spring	1	
7	60067851	spacer	1	
8	60067853	Cap Assy	1	
9	60067858	Shut-Off Plug Assembly	1	
10	60067854	Seal Kit 61836-1	1	

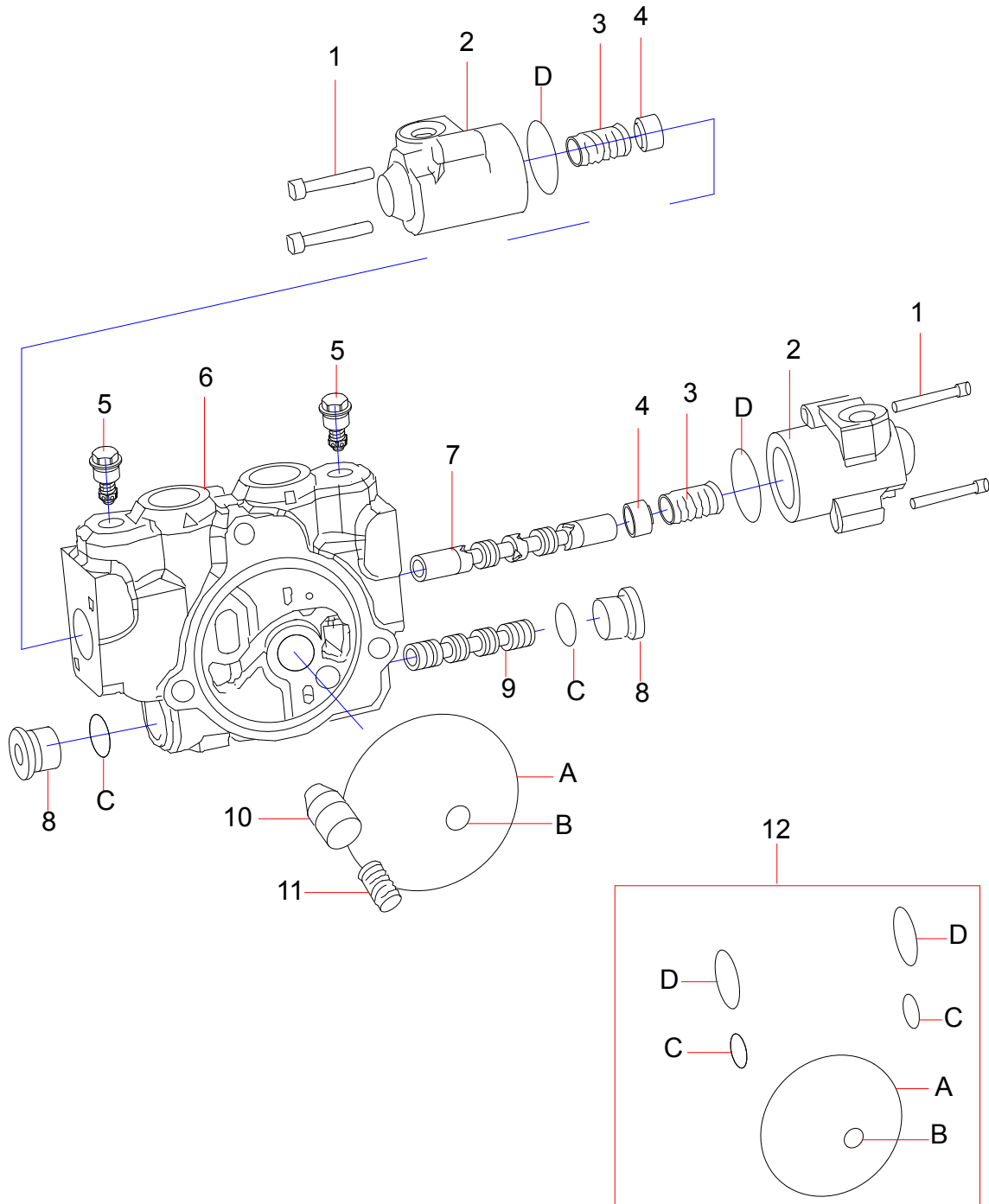


No.	Part No.	Description	Qty	Page number
1	150688000208A	Screw	4	
2	150688000206A	Cap	2	
3	150688000209A	Spring	2	
4	150688000205A	Spring Seat	2	
5	60067852	plug Assy	3	
6	150688000213A	Spacer	1	
7	61022827	Spring	1	
8	150688000211A	Spool	1	
9	60086271	Valve seat component	1	
10	61022643	Relief Valve	2	
11	150688000201A	Housing	1	
12	150688000199A	Spool	1	
13	60096733	Spool Assy- Compensator	1	
14	60067846	Poppet C.V.	1	
15	60067847	spring	1	
16	60067855	Seal Kit 61837-1	1	

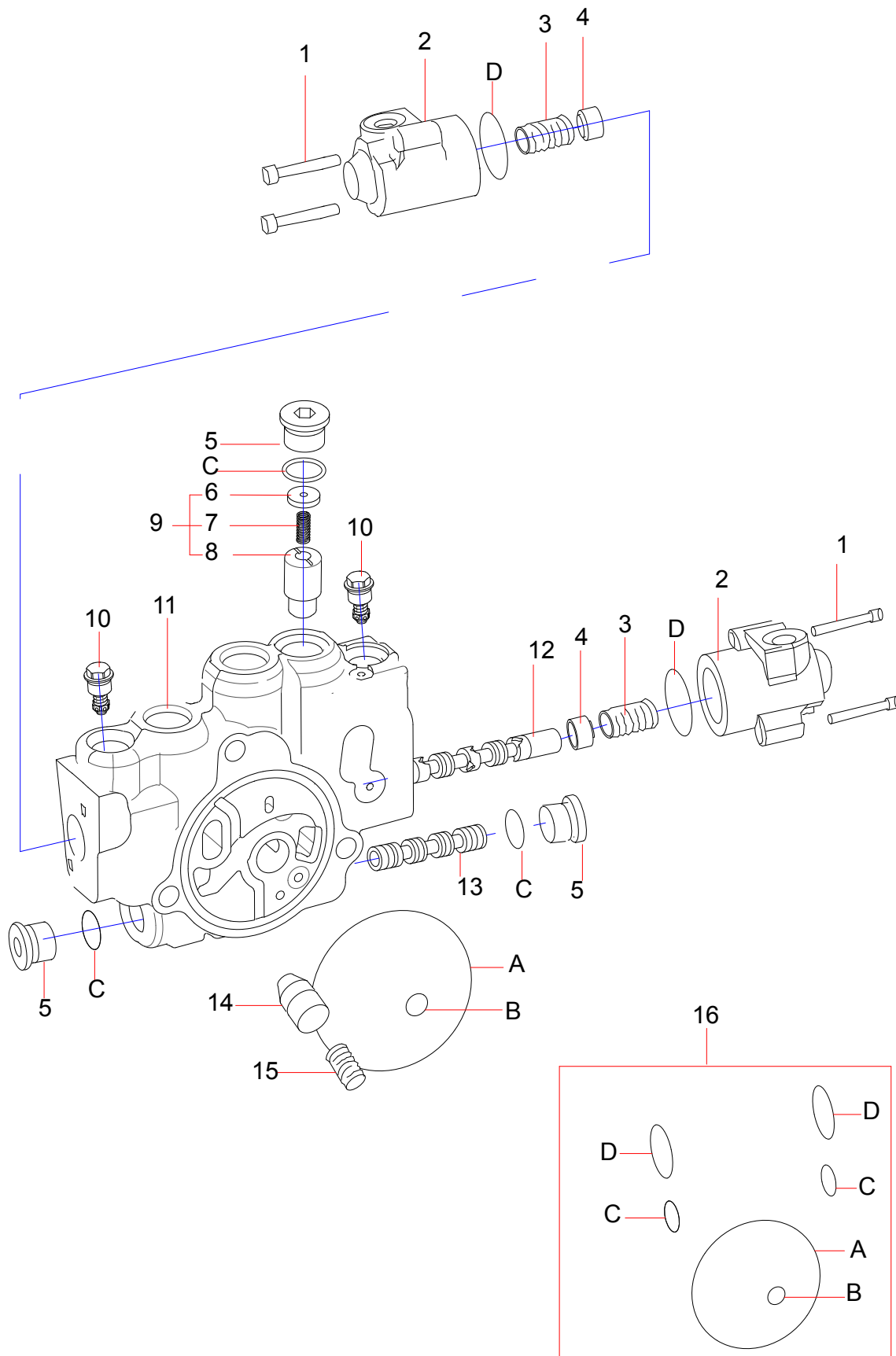




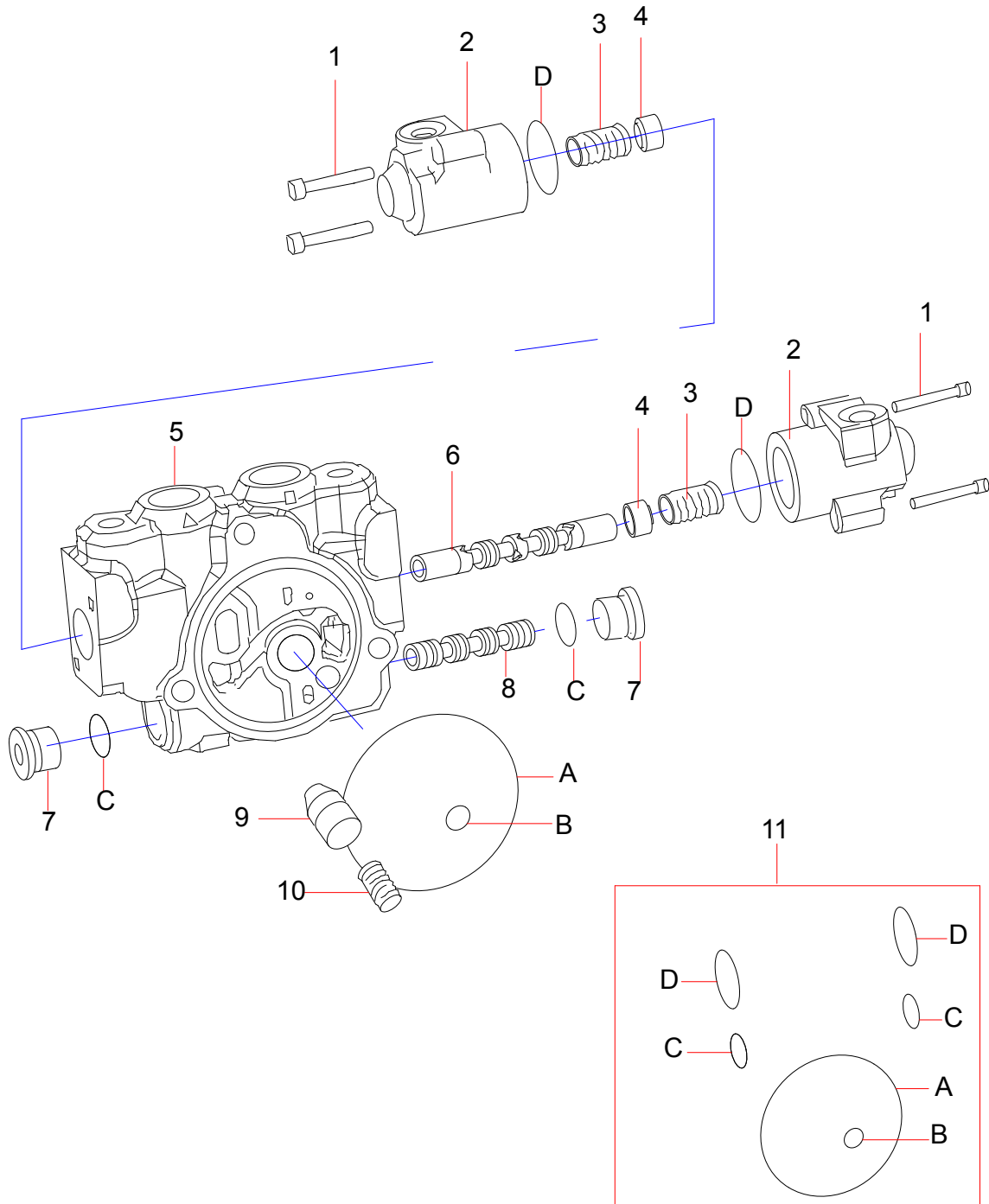
No.	Part No.	Description	Qty	Page number
1	150688000208A	Screw	2	
2	150688000206A	Cap	2	
3	150688000209A	Spring	2	
4	150688000205A	Spring Seat	2	
5	61022643	Relief Valve	2	
6	150688000202A	Housing	1	
7	150688000196A	Spool	1	
8	60067852	plug Assy	2	
9	150688000214A	Spool	1	
10	60067846	Poppet C.V.	1	
11	60067847	spring	1	
12	60067855	Seal Kit 61837-1	1	



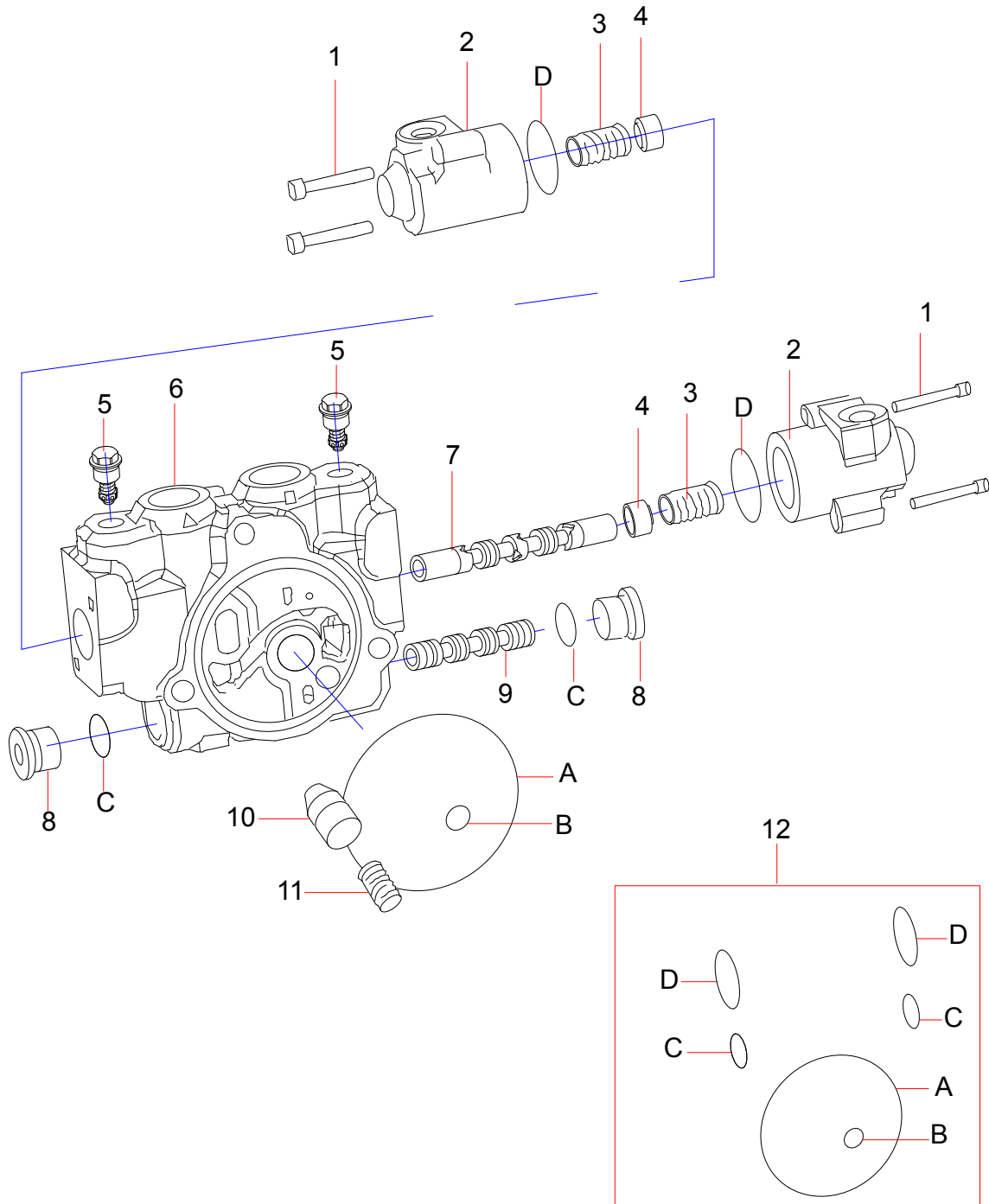
No.	Part No.	Description	Qty	Page number
1	150688000208A	Screw	2	
2	150688000206A	Cap	2	
3	150688000209A	Spring	2	
4	150688000205A	Spring Seat	2	
5	61022643	Relief Valve	2	
6	150688000202A	Housing	1	
7	150688000203A	Spool	1	
8	60067852	plug Assy	2	
9	60096733	Spool Assy- Compensator	1	
10	60067846	Poppet C.V.	1	
11	60067847	spring	1	
12	60067855	Seal Kit 61837-1	1	



No.	Part No.	Description	Qty	Page number
1	150688000208A	Screw	4	
2	150688000206A	Cap	2	
3	150688000209A	Spring	2	
4	150688000205A	Spring Seat	2	
5	60067852	plug Assy	3	
6	150688000213A	Spacer	1	
7	61022827	Spring	1	
8	150688000211A	Spool	1	
9	60086271	Valve seat component	1	
10	61022643	Relief Valve	2	
11	150688000201A	Housing	1	
12	60166767	ArmspoolAssy	1	
13	60096734	Spool Assy- Compensator	1	
14	60067846	Poppet C.V.	1	
15	60067847	spring	1	
16	60067855	Seal Kit 61837-1	1	

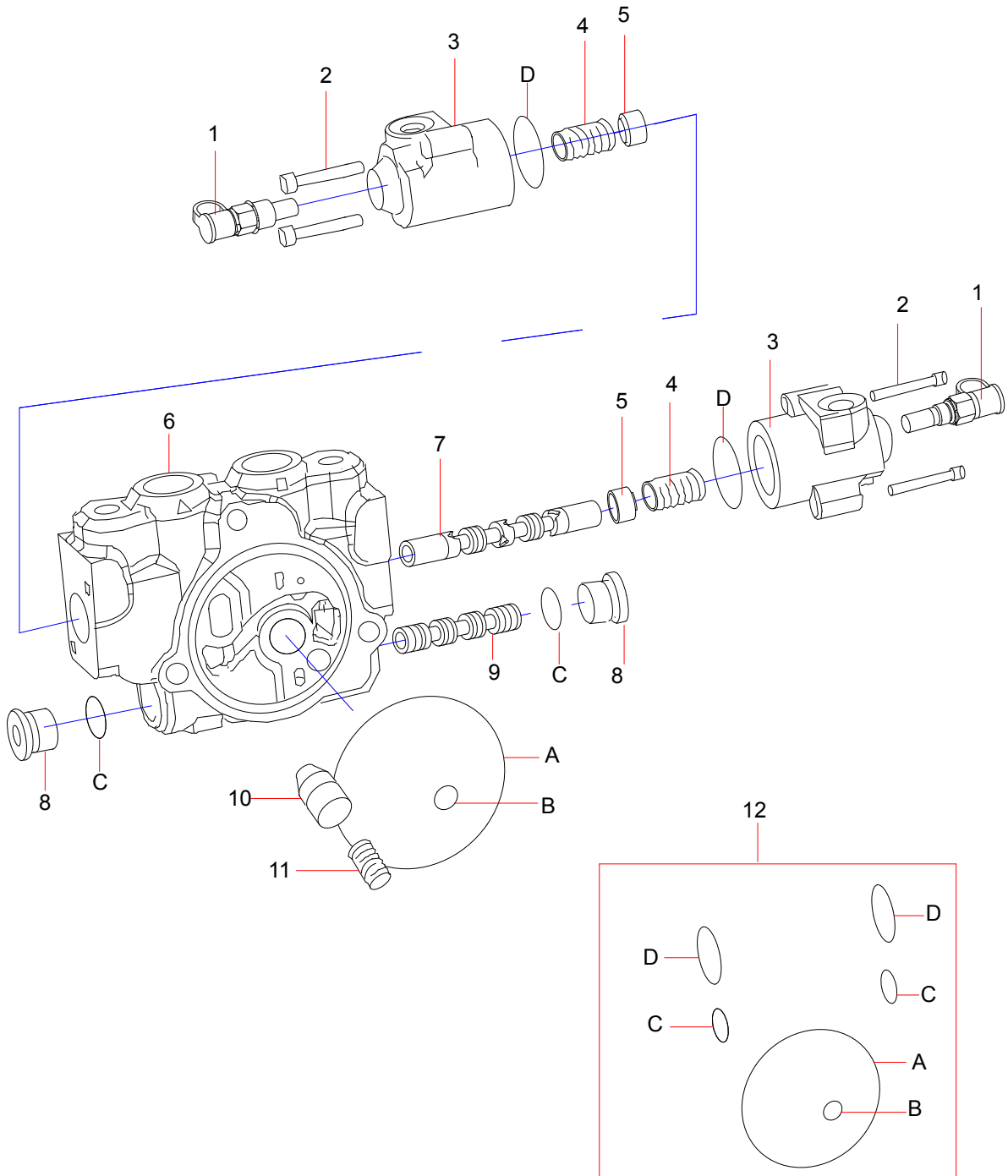


No.	Part No.	Description	Qty	Page number
1	150688000208A	Screw	2	
2	150688000206A	Cap	2	
3	150688000209A	Spring	2	
4	150688000205A	Spring Seat	2	
5	150688000200A	Housing	1	
6	150688000210A	Spool	1	
7	60067852	plug Assy	2	
8	150688000216A	Spool	1	
9	60067846	Poppet C.V.	1	
10	60067847	spring	1	
11	60067855	Seal Kit 61837-1	1	

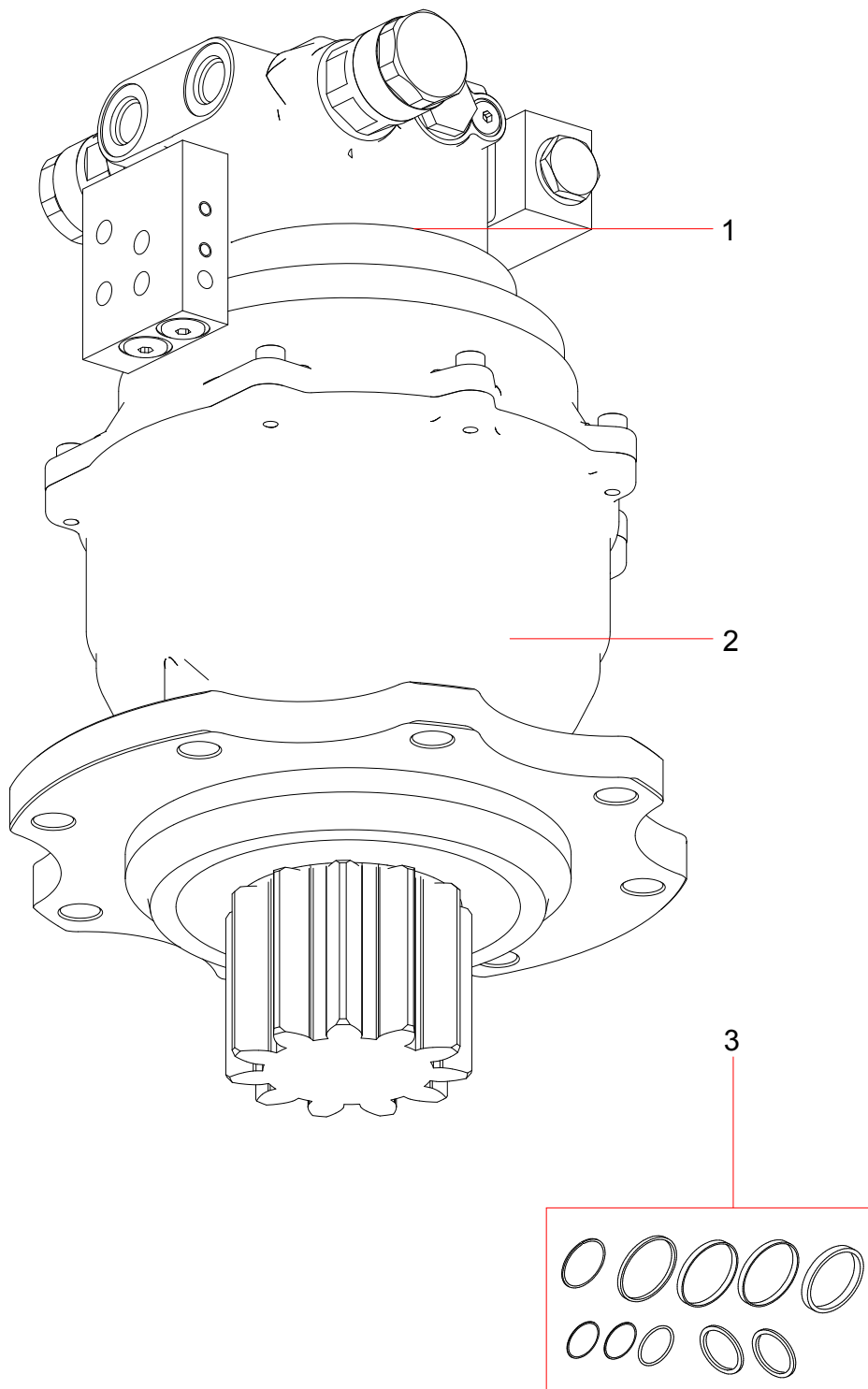




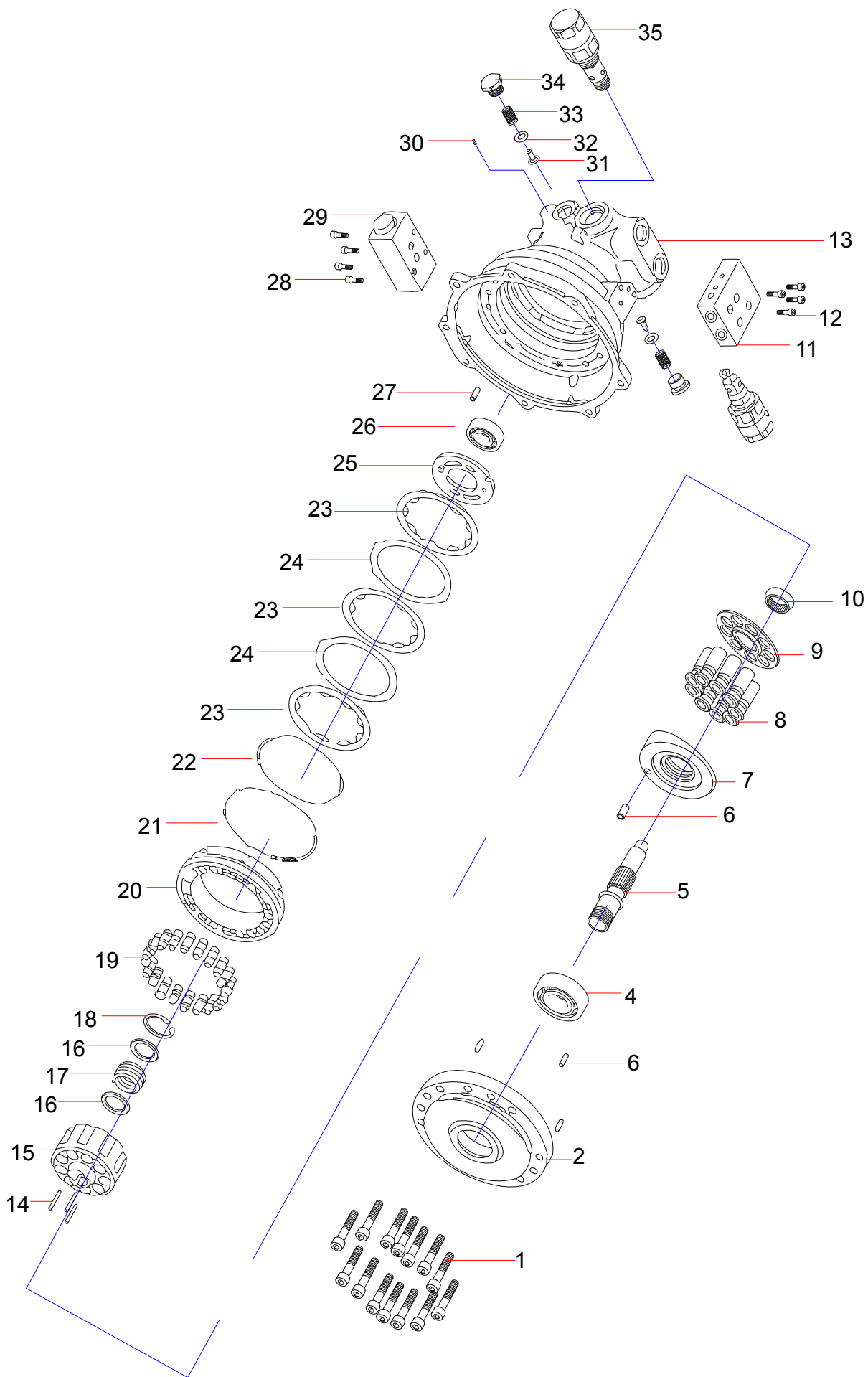
No.	Part No.	Description	Qty	Page number
1	150688000208A	Screw	2	
2	150688000206A	Cap	2	
3	150688000209A	Spring	2	
4	150688000205A	Spring Seat	2	
5	61022642	Relief Valve	2	
6	150688000202A	Housing	1	
7	150688000215A	Spool	1	
8	60067852	plug Assy	2	
9	150688000212A	Spool	1	
10	60067846	Poppet C.V.	1	
11	60067847	spring	1	
12	60067855	Seal Kit 61837-1	1	



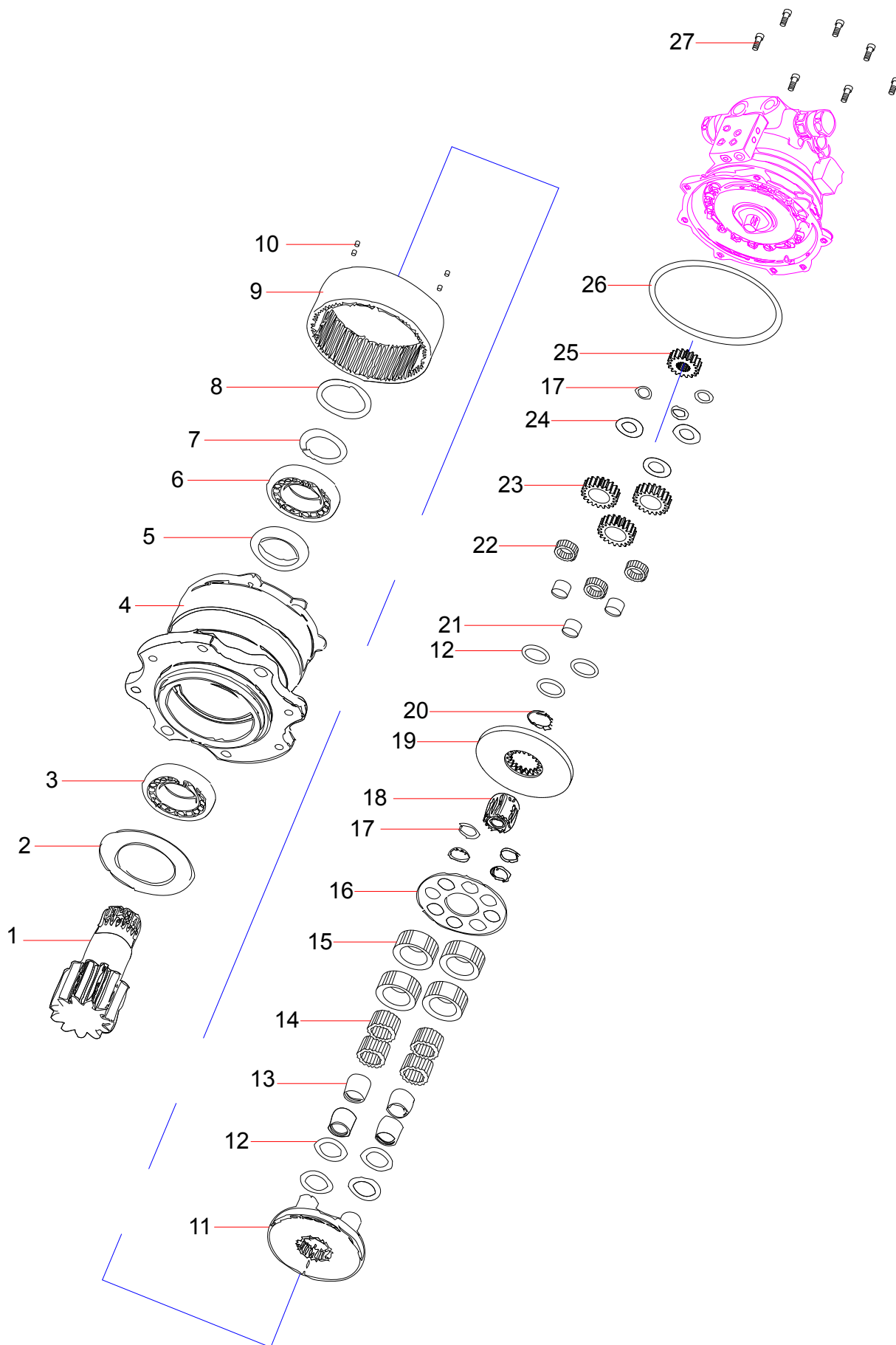
No.	Part No.	Description	Qty	Page number
1	150688000204A	Stroke Limiter	2	
2	150688000208A	Screw	2	
3	150688000207A	Cap	2	
4	150688000209A	Spring	2	
5	150688000205A	Spring Seat	2	
6	150688000200A	Housing	1	
7	150688000198A	Spool	1	
8	60067852	plug Assy	2	
9	150688000197A	Spool	1	
10	60067846	Poppet C.V.	1	
11	60067847	spring	1	
12	60067855	Seal Kit 61837-1	1	



No.	Part No.	Description	Qty	Page number
1	60275189	Hydraulic Motor	1	2-126
2	60275188	Reduction	1	2-128
3	60311387	Reducer assembly Repair kit	1	

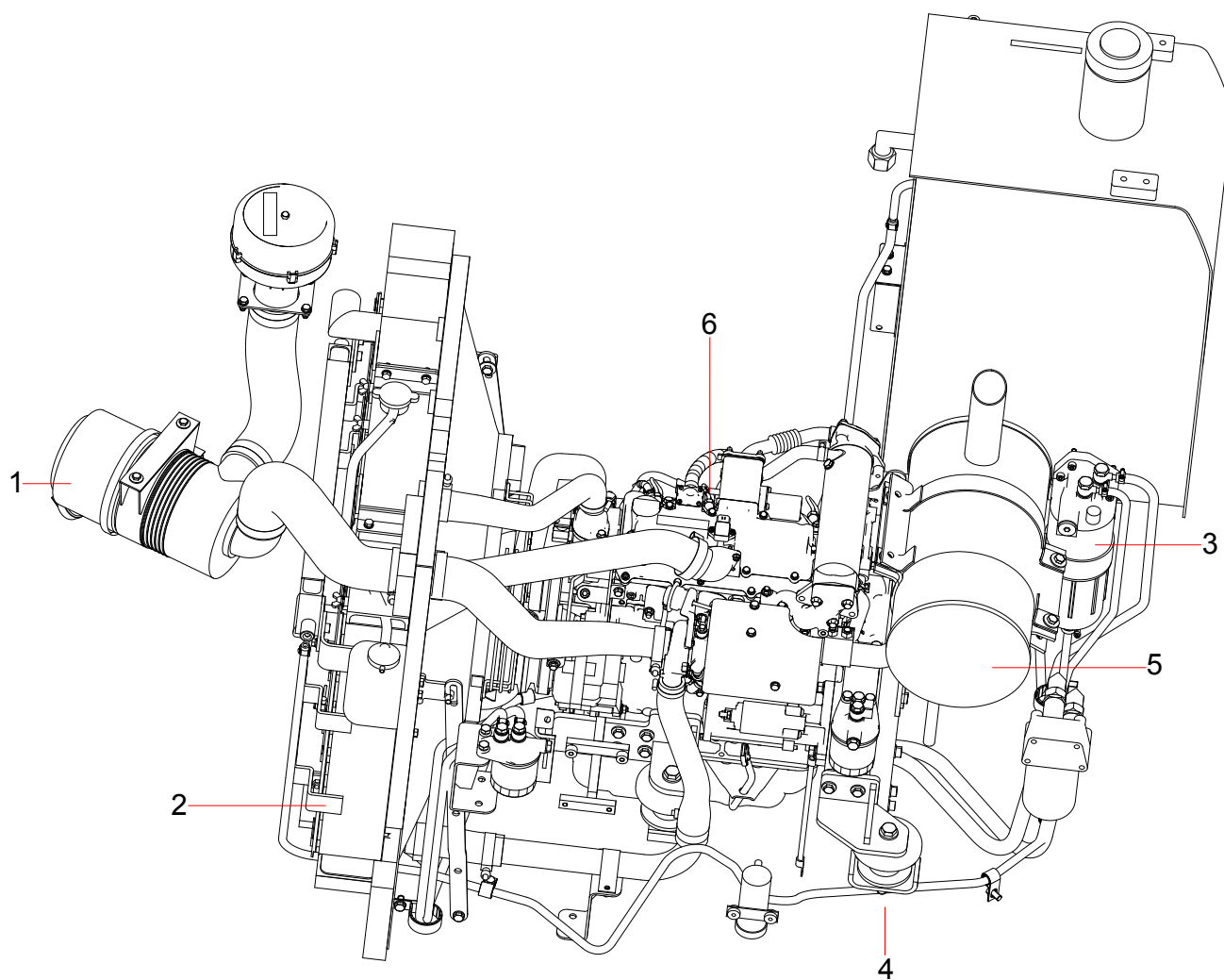


No.	Part No.	Description	Qty	Page number
1	A210204000212	Screw	14	
2	60275215	Plate	1	
4	60275231	Bearing	1	
5	60275216	Shaft	1	
6	60275233	Pin	1	
7	60275222	Swash plate	1	
8	60275219	Piston assy	9	
9	60275220	Shoe holder	1	
10	60275221	Barrel holder	1	
11	60275238	Time valve	1	
12	60275239	Screw	4	
13	60275214	Body	1	
14	60275225	Pin	3	
15	60275217	Cylinder barrel	1	
16	60275224	Retainer	2	
17	60275226	Spring	1	
18	60167124	SNAP PING	1	
19	60275230	Spring b	20	
20	60275229	Brake piston	1	
21	A210608000020	O-ring	1	
22	B230101000614	O-ring	1	
23	60275227	Disk plate	3	
24	60275228	Plate	2	
25	60275218	Valve plate	1	
26	60275232	Bearing	1	
27	60275223	Spring pin	1	
28	60008842	Screw	4	
29	60275240	By-pass valve	1	
30	60275241	Plug	2	
31	60275235	Check valve	2	
32	60275237	Spring	2	
33	B230101000090	O-Ring	2	
34	60275236	Plug	2	
35	60275234	Relief valve	2	

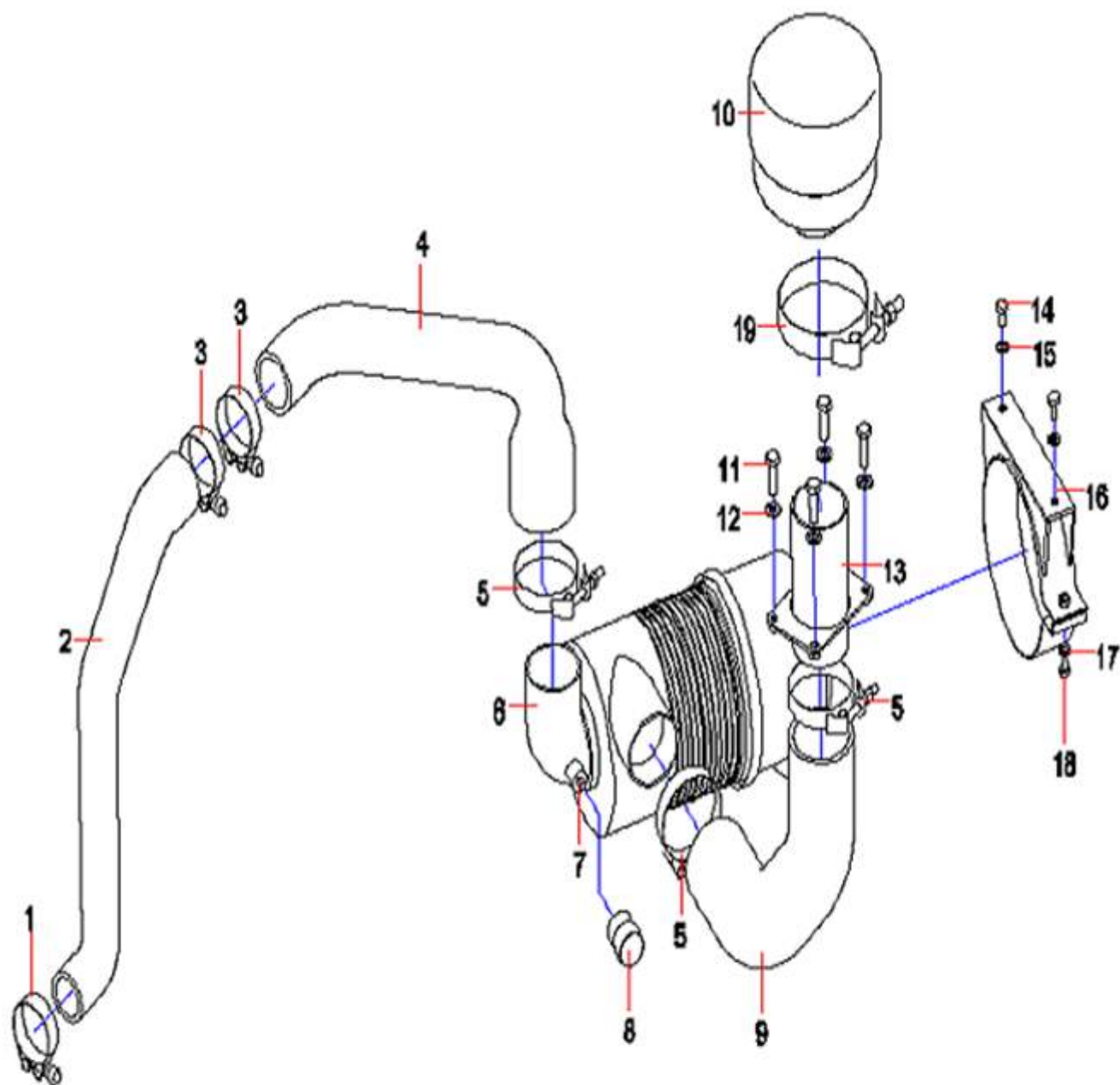




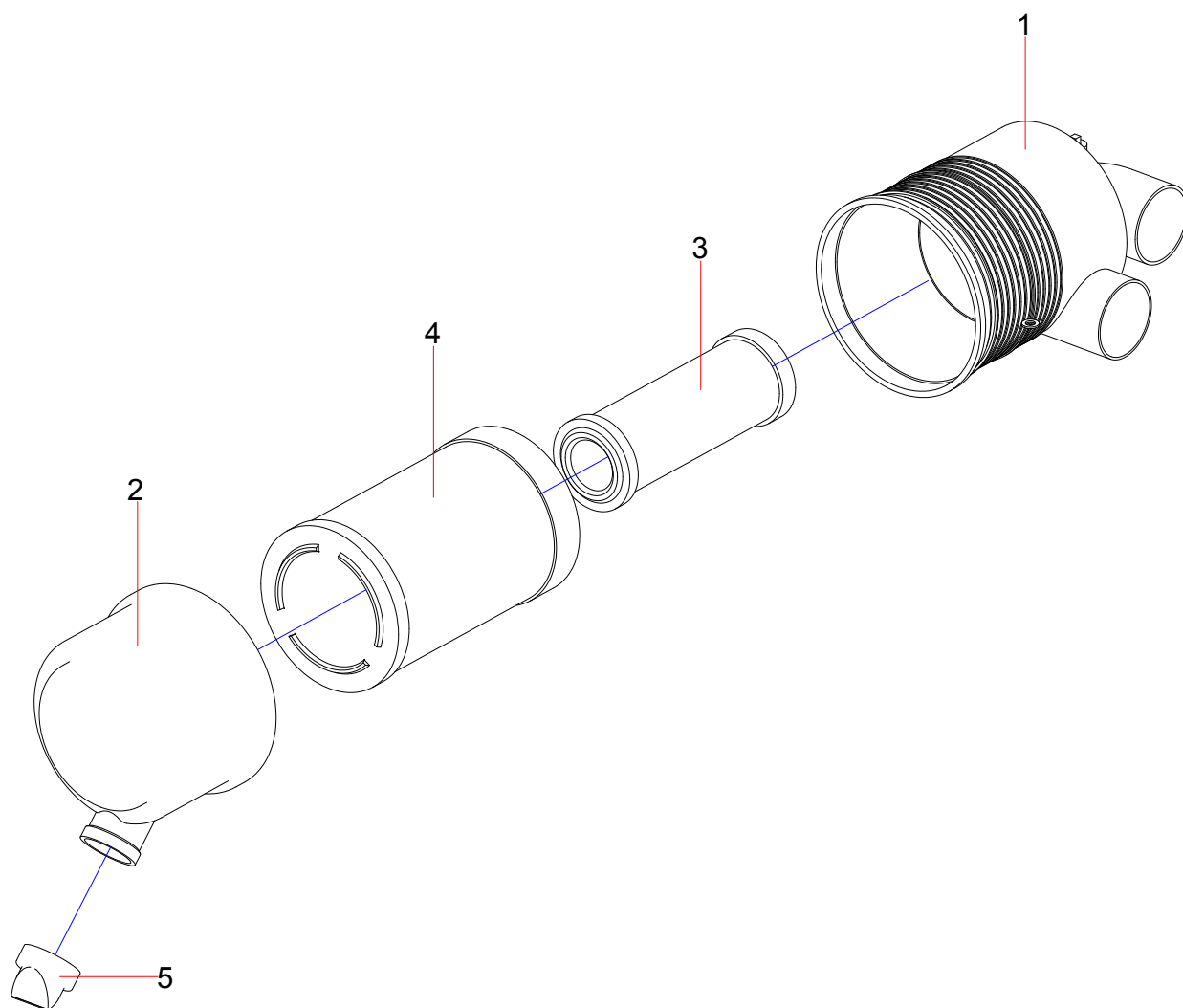
No.	Part No.	Description	Qty	Page number
1	60275193	Pinion shaft	1	
2	60275203	Ring seal	1	
3	60275209	Bearing	1	
4	60275190	Body	1	
5	60275211	Oil seal	1	
6	60275210	Bearing	1	
7	60275207	Pre-load collar	2	
8	60275208	Ring	1	
9	60275194	Internal gear	1	
10	60275212	Pin	4	
11	60275191	CarrierI	1	
12	60275205	Thrust washer	7	
13	60275199	Ring	4	
14	60275201	Needle	96	
15	60275195	B1 gear	4	
16	60275204	Thrust plate	1	
17	60257712	SNAP RING	7	
18	60275197	S1 gear	1	
19	60275192	CarrierII	1	
20	60275213	Snap ring	1	
21	60275200	Ring	3	
22	60275202	Needle	72	
23	60275196	B2 gear	3	
24	60275206	Thrust washer	3	
25	60275198	S2 gear	1	
26	60069455	O-ring	1	
27	60068701	Screw	8	



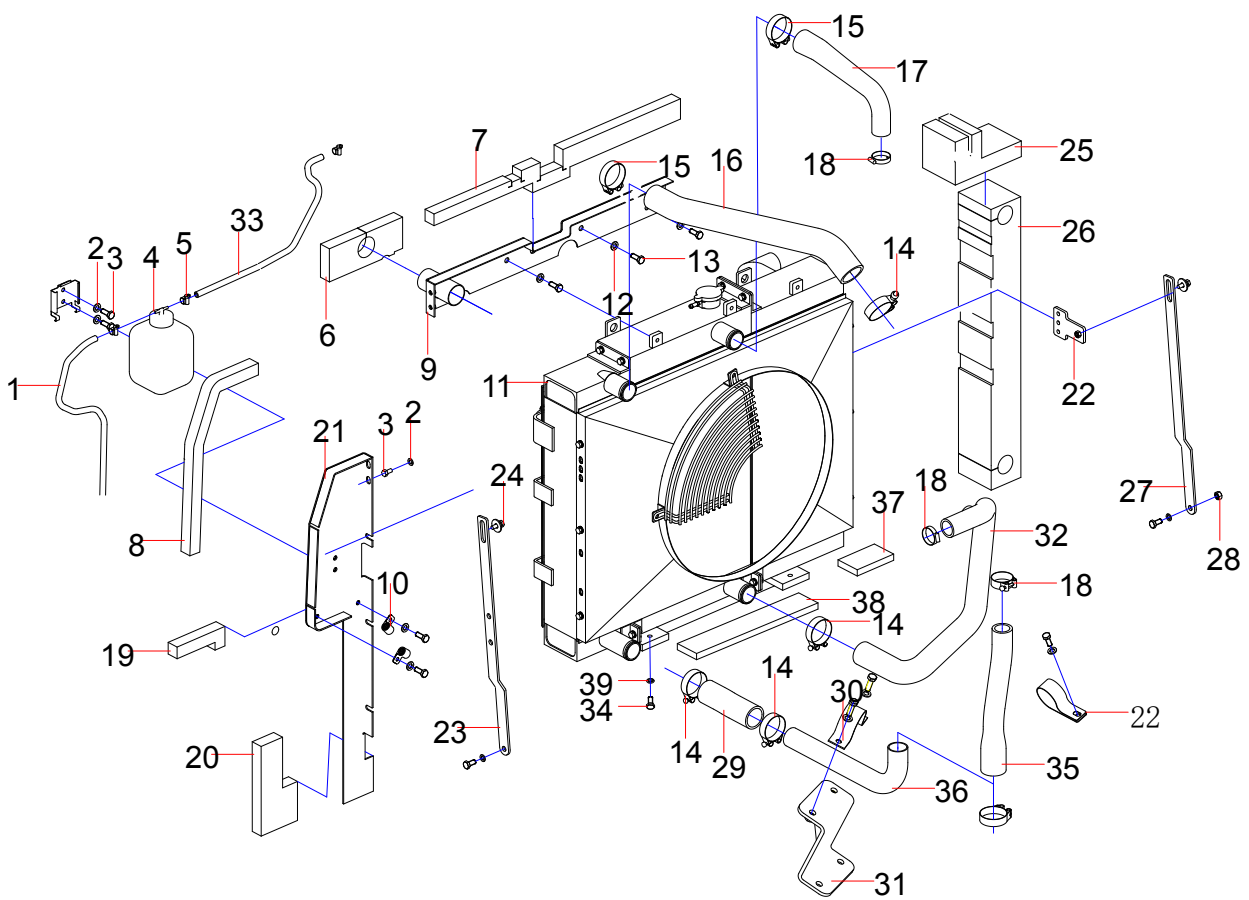
No.	Part No.	Description	Qty	Page number
1	13063351	intake system	1	2-132
2	13063334	cooling system	1	2-136
3	13063372	fuel system	1	2-140
4	13063244	Transmission & shock mitigation system	1	2-146
5	13063299	Exhaust system	1	2-148
6	160102020006	Engine GK-4LE2XKSC-02	1	



No.	Part No.	Description	Qty	Page number
1	60197721	T-type anchor ear	1	
2	13626045	inner air intake tube	1	
3	A229900006067	T-clamp	2	
4	13626044	outer intake rubber hose	1	
5	A229900003759	Clamp, T-bolt	3	
6	B222100000599	Air Cleaner	1	2-134
7	B229900003909	Sensor adaptor of air cleaner	1	
8	60148482	Air cleaner sensor	1	
9	13227581	air intake tube	1	
10	60269356	pre-separation	1	
11	A210204000220	Screw	4	
12	24000633	Washer	4	
13	10386841	Steel Tube Flange of Air Pre-Filter	1	
14	A210111000323	Bolt	2	
15	60060565	Washer	3	
16	10083933	Clip, air cleaner	1	
17	24000511	Washer	1	
18	A210111000092	Bolt	1	
19	21004569	Clamp, T-Type	1	

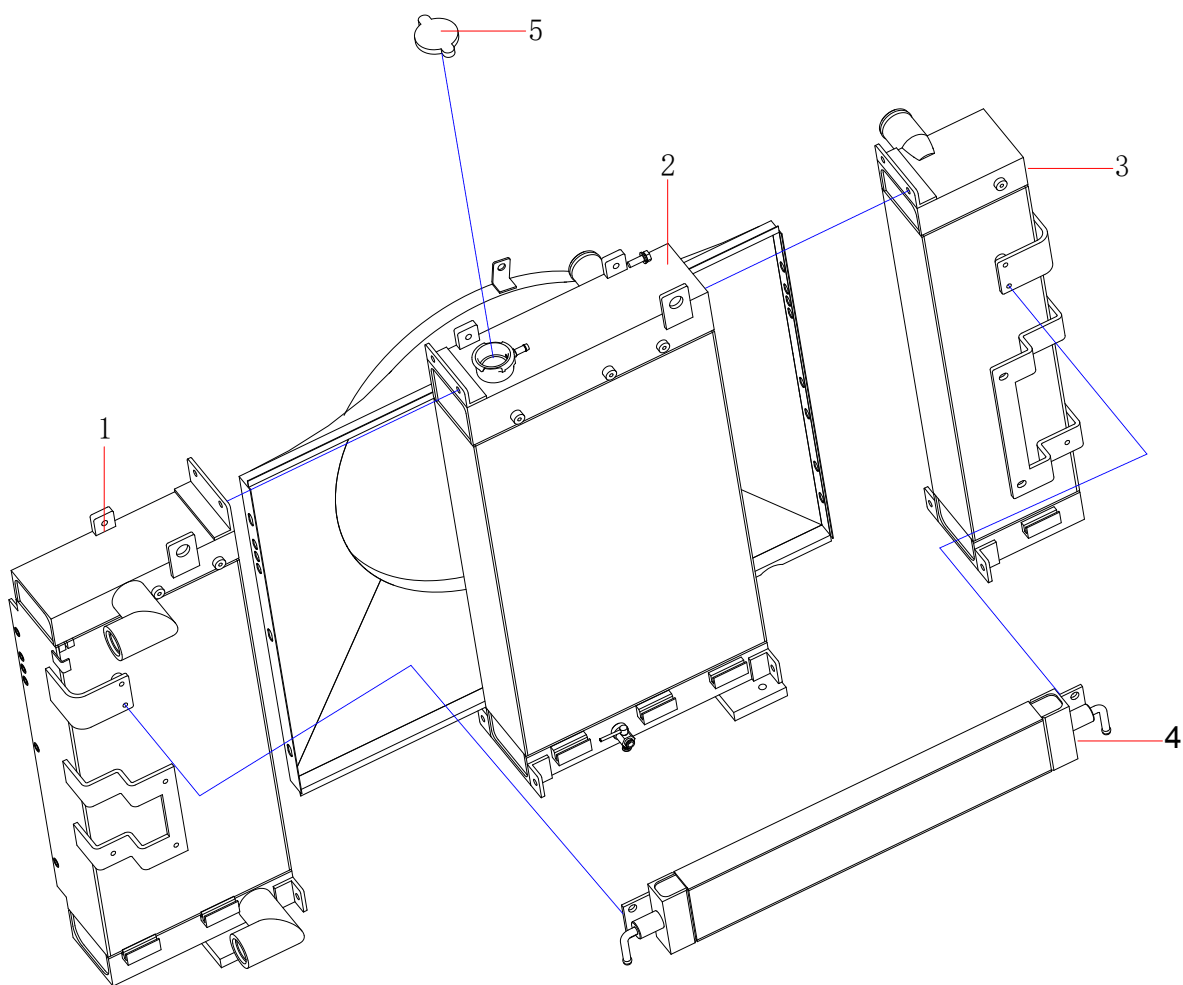


No.	Part No.	Description	Qty	Page number
1	60078239	CASE ASSEMBLY	1	
2	60078237	COVER ASSEMBLY	1	
3	B222100000591	Auxiliary cartridge of air cleaner	1	
4	B222100000593	Main cartridge of air cleaner	1	
5	60078235	VALVE	1	

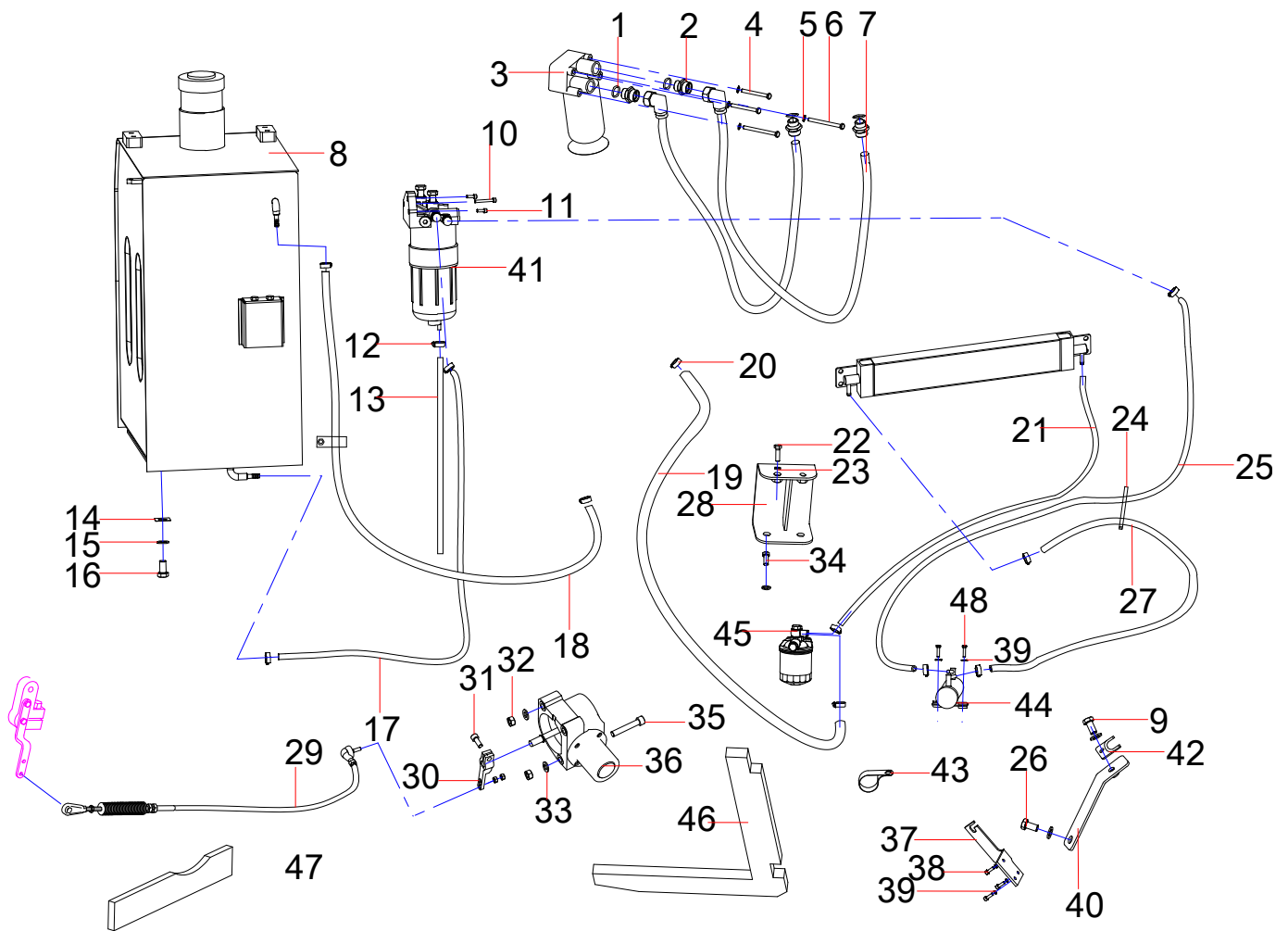




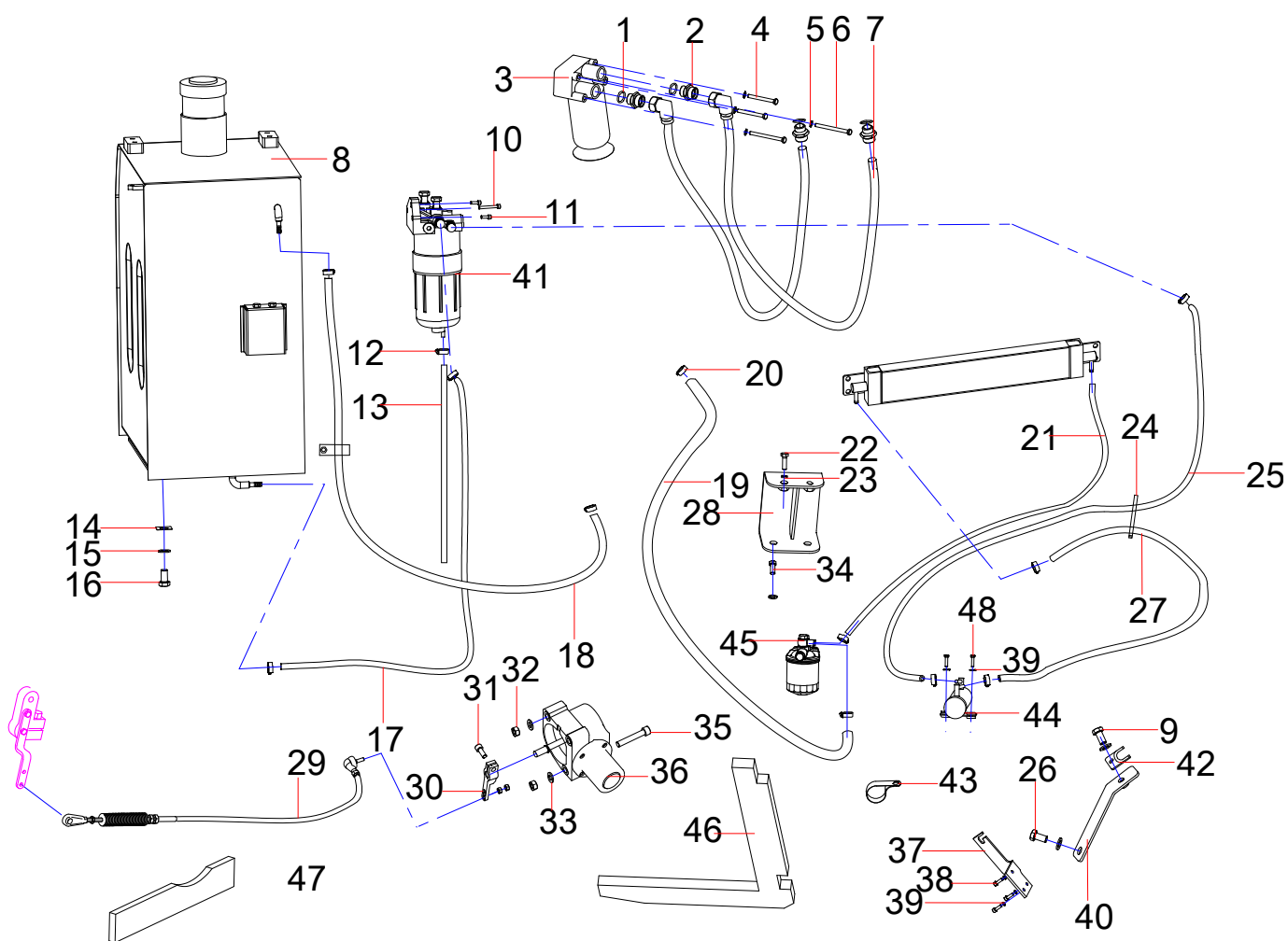
No.	Part No.	Description	Qty	Page number
1	A820606030367	Hose	1	
2	A210111000342	Bolt	9	
3	24000633	Washer	9	
4	A229900004825	Liquid Reserve Tank	1	
5	A229900001345	Clamp	3	
6	14006890	sponge	1	
7	14006893	sealing sponge	1	
8	14006889	rear sealing sponge	1	
9	13048926	Upper Wind insulation board assembly	1	
10	60083322	Clamp	1	
11	60233822	raditor .43656	1	2-138
12	A210491000120	Washer	13	
13	A210111000012	Bolt	7	
14	A229900002031	Clamp	1	
15	60240503	Clamp	6	
16	13048566	inter-cooler intake pipe	1	
17	13429783	water tank upper water pipe	1	
18	60240502	Hose clamp	3	
19	14006886	sponge	1	
20	14006884	right seal sponge	1	
21	13048932	Rear sealing board assembly	1	
22	60149606	Clamp	1	
23	13048020	pull rod of radiator	1	
24	A210111000197	Bolt	3	
25	14006892	upper sealing sponge	1	
26	14006891	sealing sponge	1	
27	13626043	pull rod of radiator	1	
28	A210307000036	Nut	1	
29	13046819	connecting rubber hose	1	
30	13626547	bracket	1	
31	13623912	bracket	1	
32	13046818	lower pipe of radiator	1	
33	13106224	linking air pipe	1	
34	A210491000121	Washer	4	
35	13032010	air intake rubber hose	1	
36	13041324	bending pipe	1	
37	14006894	sealing sponge	2	
38	14006895	sealing sponge	1	
39	A210111000101	Bolt	4	



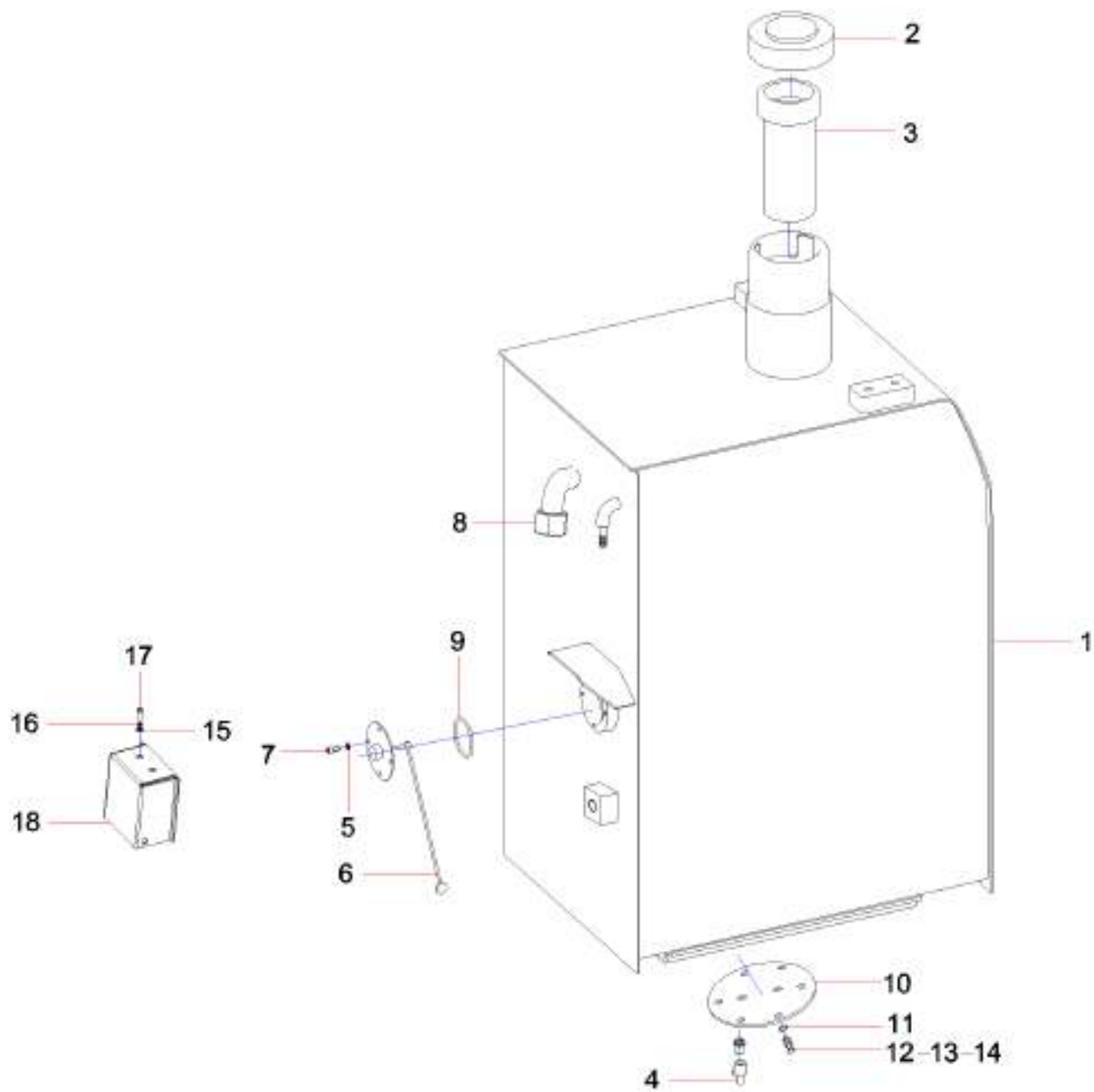
No.	Part No.	Description	Qty	Page number
1	60282645	Radiator	1	
2	60282643	Radiator	1	
3	60282644	Radiator	1	
4	60282646	Radiator	1	
5	60077849	Cover of watering opening	1	



No.	Part No.	Description	Qty	Page number
1	B230101000356	O-ring	4	
2	A820205000942	Fitting	4	
3	60068849	Oil Filter ASM	1	
4	A210111000097	Bolt	2	
5	24000633	Washer	1	
6	A229900001700	Bolt M8×100(GB5782) Grade 10.9	2	
7	60026399	Rubber Hose	2	
8	10866074	Fuel Tank Assy	1	2-144
9	A210111000343	Bolt	1	
10	60225886	Bolt	1	
11	A210204000347	Screw	2	
12	A229900001345	Clamp	5	
13	10949800	Drainage tube	1	
14	A820101118172	Gasket	10	
15	A210491000118	Washer	4	
16	A210204000198	Screw	4	
17	12339509	Oil inlet tube of primary filter	1	
18	13747524	fuel return pipe	1	
19	13229967	fuel cooler inlet pipe	1	
20	21053360	Hose ring hoop	8	
21	13659584	Oil inlet tube of engine	1	
22	A210111000024	Bolt	2	
23	A210491000120	Washer	9	
24	60149606	Clamp	1	
25	12830893	fuel plastic tube	1	
26	A210111000012	Bolt	7	
27	A820606030880	Hose, Fuel Return	1	
28	13429928	installation frame	1	
29	60231324	throttle guy assembly	1	
30	11626828	Throttle connecting lever	1	
31	A210204000220	Screw	1	
32	A210307000036	Nut	3	
33	24000512	Washer	3	
34	A210204000334	Bolt, socket head	2	
35	A210204000357	Bolt	3	
36	60099069	accelerograph motor	1	
37	13026911	Flexible shaft fixed plate	1	
38	A210204000129	Screw	3	
39	60060564	Washer	5	
40	13027697	fixed frame of flexible shaft	1	

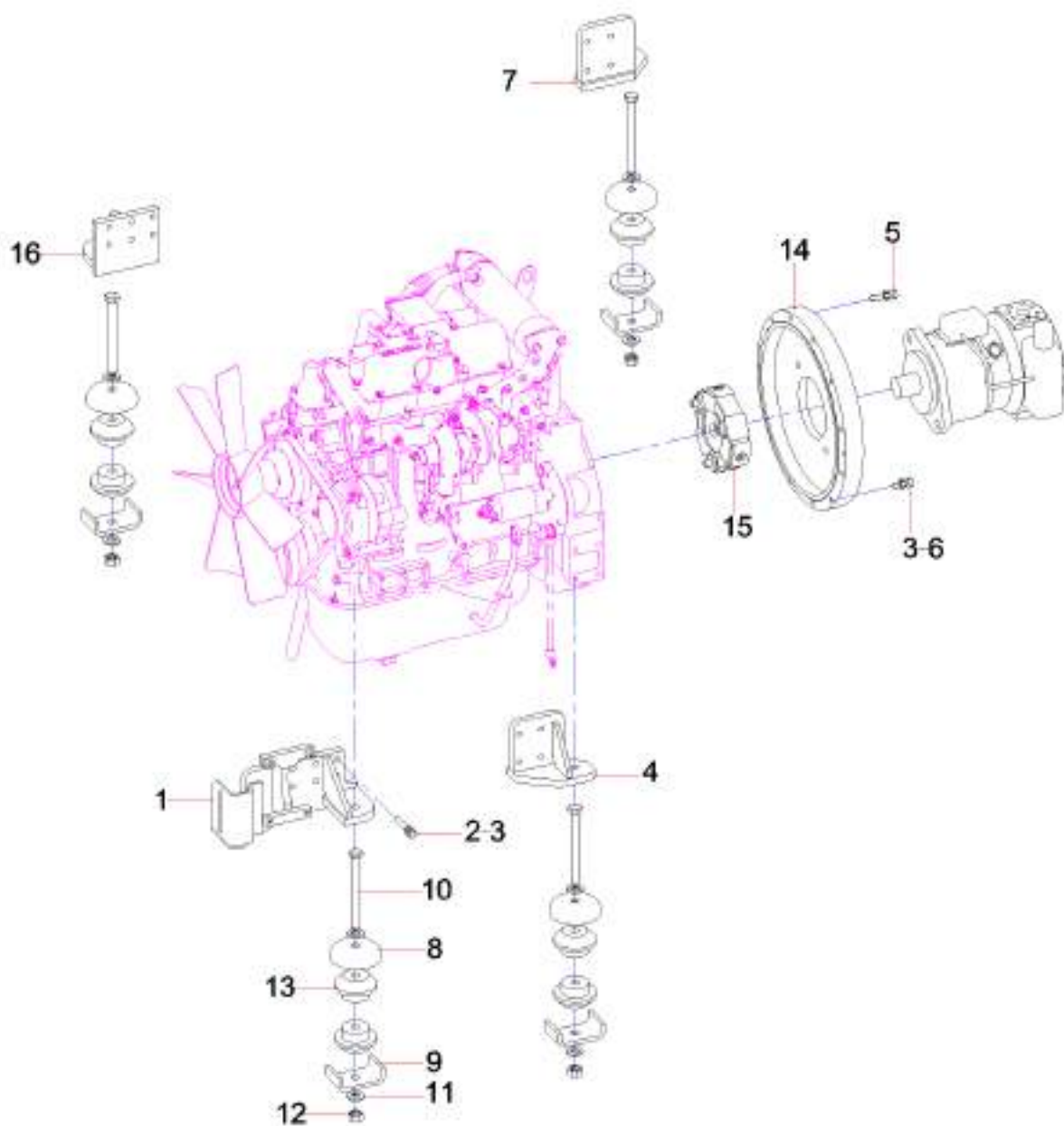


No.	Part No.	Description	Qty	Page number
41	60064763	Diesel Fuel Cleaner	1	
42	60086353	Wire Clamp	1	
43	60086355	Fixity of Line	1	
44	60018583	Fuel pump	1	
45	60068848	Fuel Filter ASM	1	
46	12605188	sealing sponge 1	1	
47	12605190	sealing sponge 2	1	
48	A210111000081	Bolt	2	

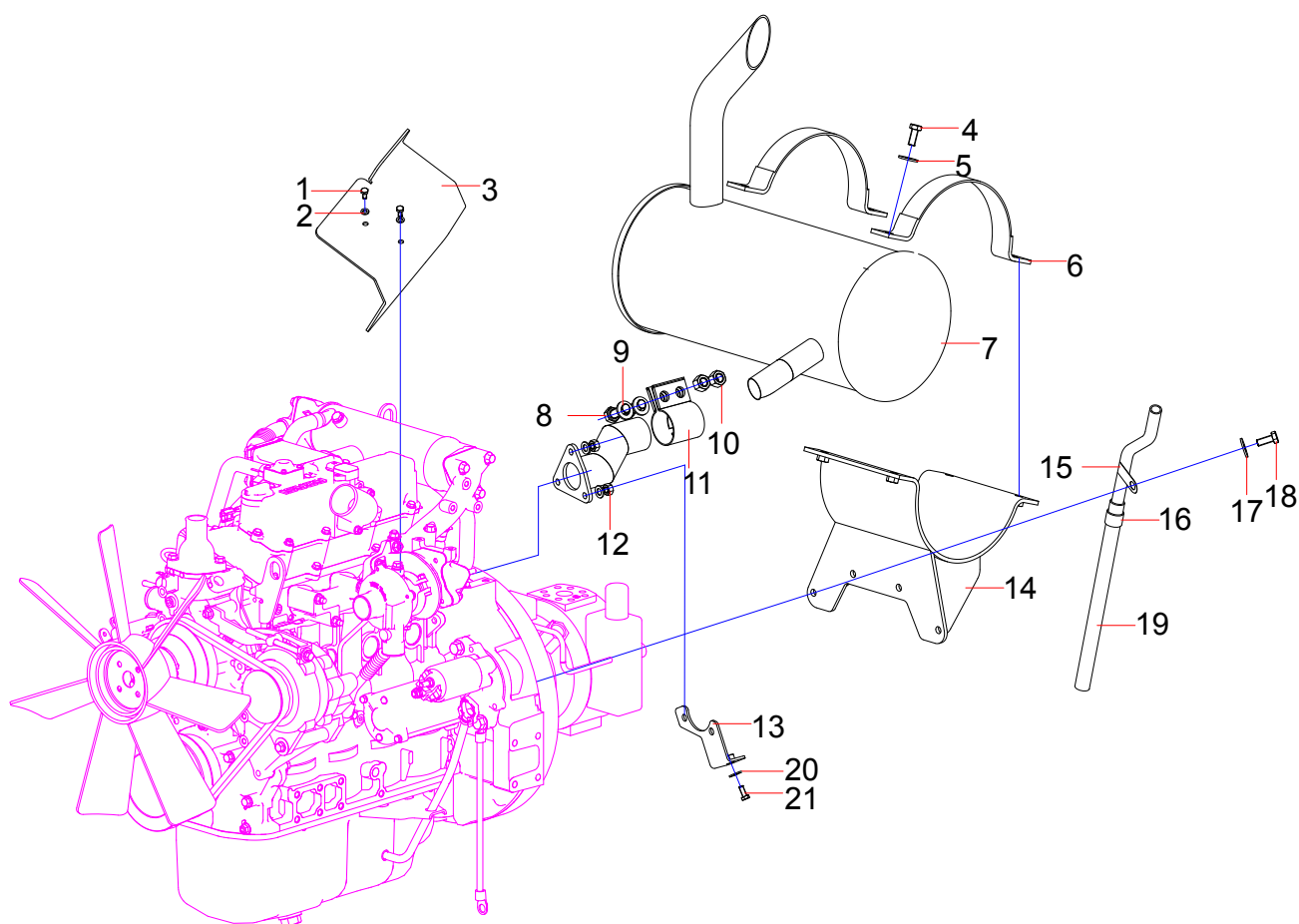




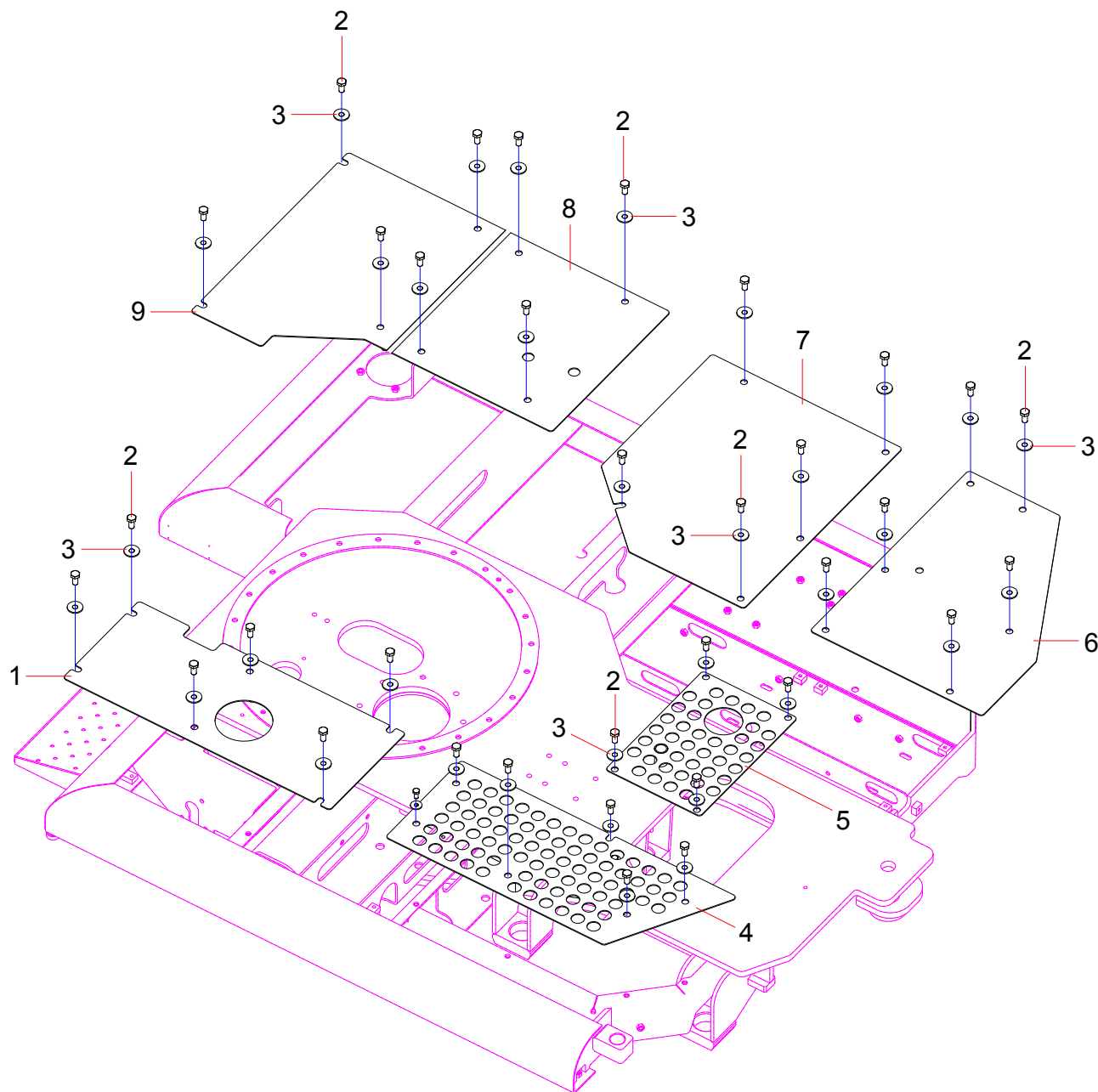
No.	Part No.	Description	Qty	Page number
1	10864996	Fuel Tank	1	
2	A290000002193	Cover, Lock, Fuel Tank	1	
3	B222100000201	Fuel Filter (Excavator)	1	
4	A229900000882	Valve	1	
5	24000632	Washer	4	
6	60029642	Sensor GP, fuel level	1	
7	A210204000129	Screw	4	
8	10210082	Screw plug	1	
9	B230101000457	O-ring	1	
10	11166671	bottom cap	1	
11	A210609000352	O-ring	1	
12	24000511	Washer	6	
13	24000633	Washer	6	
14	A210111000090	Bolt	6	
15	24000512	Washer	2	
16	24000637	Washer	2	
17	A210111000012	Bolt	2	
18	11098409	Rain Box	1	



No.	Part No.	Description	Qty	Page number
1	14220997	engine's rear left bearer	1	
2	A210111000024	Bolt	16	
3	A210491000120	Washer	26	
4	13045476	engine's rear right bearer	1	
5	A210204000335	Screw	6	
6	A210204000357	Bolt	4	
7	13045479	Engine's front right bearer	1	
8	12727958	mat	4	
9	12786511	shock absorber backup plate	4	
10	A210111000210	Bolt	4	
11	A210491000118	Washer	8	
12	A210307000028	Nut	4	
13	60212661	Damping pad	8	
14	13679820	end cover	1	
15	60339145	Coupling	1	
16	13045478	Engine's front left bearer	1	



No.	Part No.	Description	Qty	Page number
1	A210111000323	Bolt	2	
2	24000632	Washer	2	
3	13640273	protective plate	1	
4	A210111000197	Bolt	4	
5	60060546	Washer	4	
6	10685355	tube of muffler	2	
7	60231570	Muffler assembly	1	
8	A210111000202	Bolt	2	
9	A210491000121	Washer	2	
10	A210307000031	Nut	2	
11	13116520	Anchor Ear	1	
12	A210307000055	Nut	3	
13	13428612	guard board support	1	
14	13045163	Muffler support	1	
15	13045171	support of sand drainage tube	1	
16	A229900001347	Clamp, Hose	1	
17	A210204000334	Bolt, socket head	1	
18	A210491000120	Washer	1	
19	12799646	Muffler Water Plastic Tube	1	
20	A210111000343	Bolt	2	
21	24000633	Washer	5	



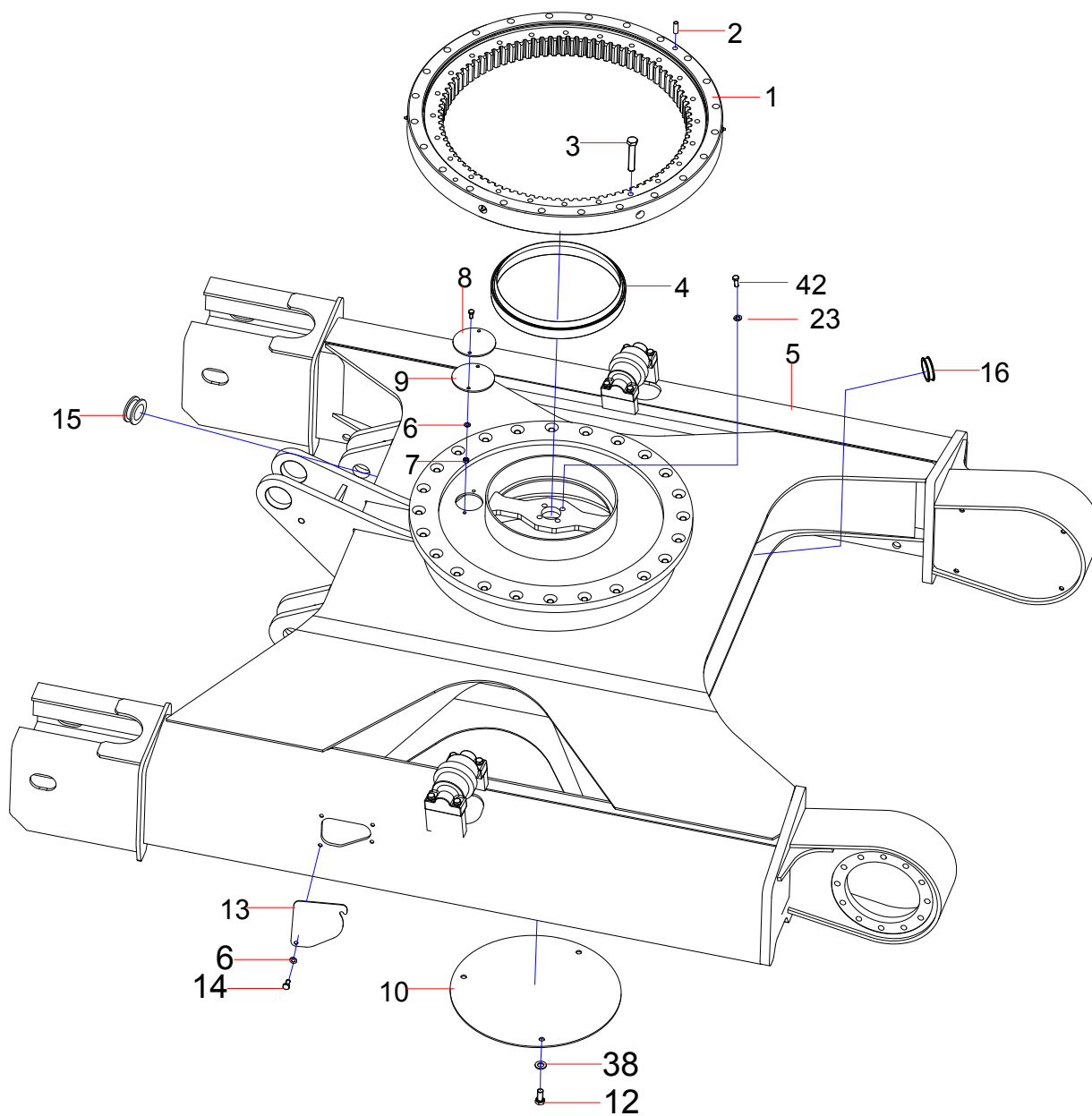
No.	Part No.	Description	Qty	Page number
1	13143920	Right Front Sealing Board	1	
2	A210111000197	Bolt	35	
3	60060546	Washer	35	
4	13645969	right rear sealing board	1	
5	13645972	central rear sealing board	1	
6	13143919	Left Rear Sealing Board	1	
7	13143918	Left Central Sealing Board	1	
8	13817934	left front sealing board	1	
9	13817933	left front sealing board	1	

BLANK PAGE

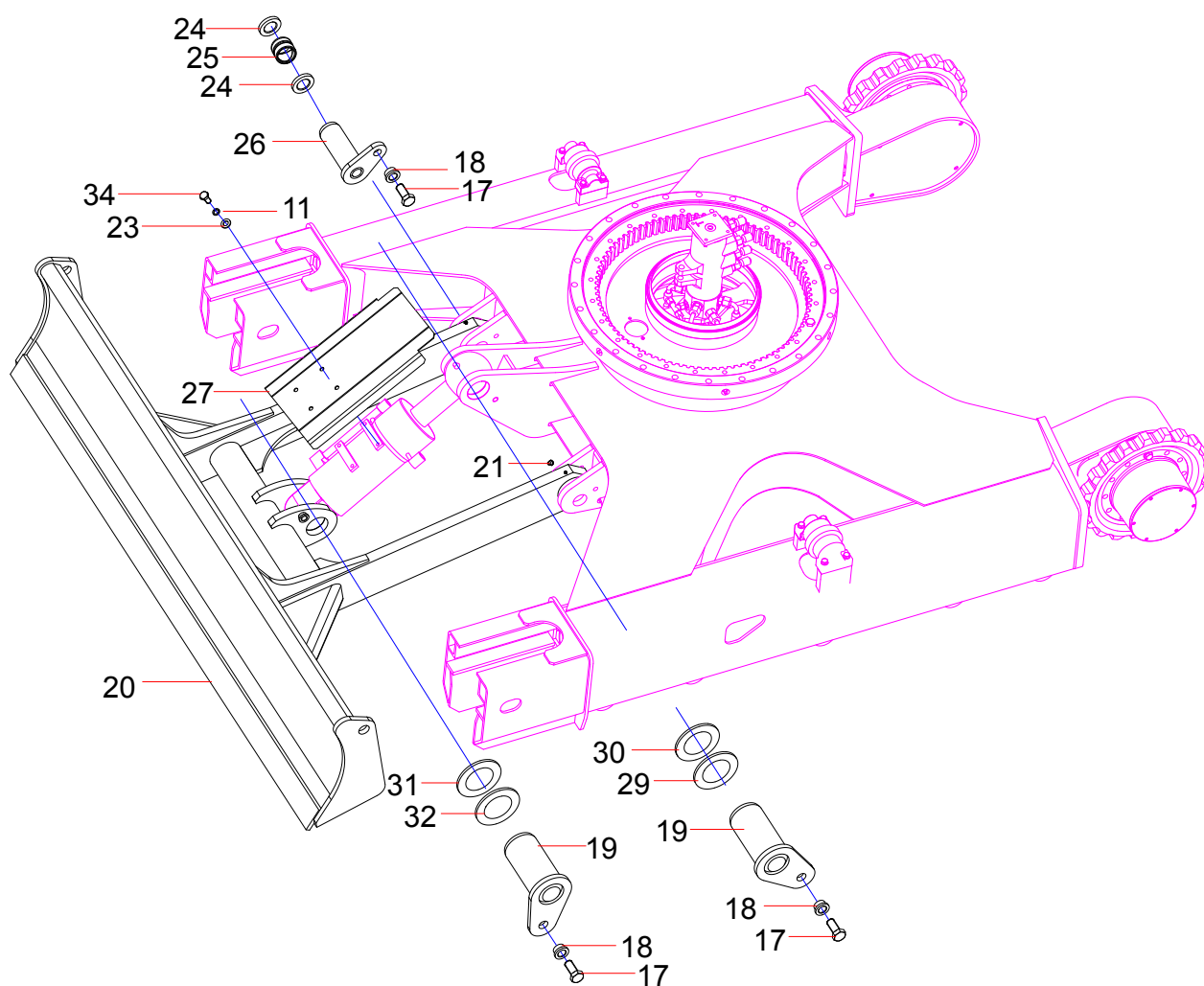


# Group 3

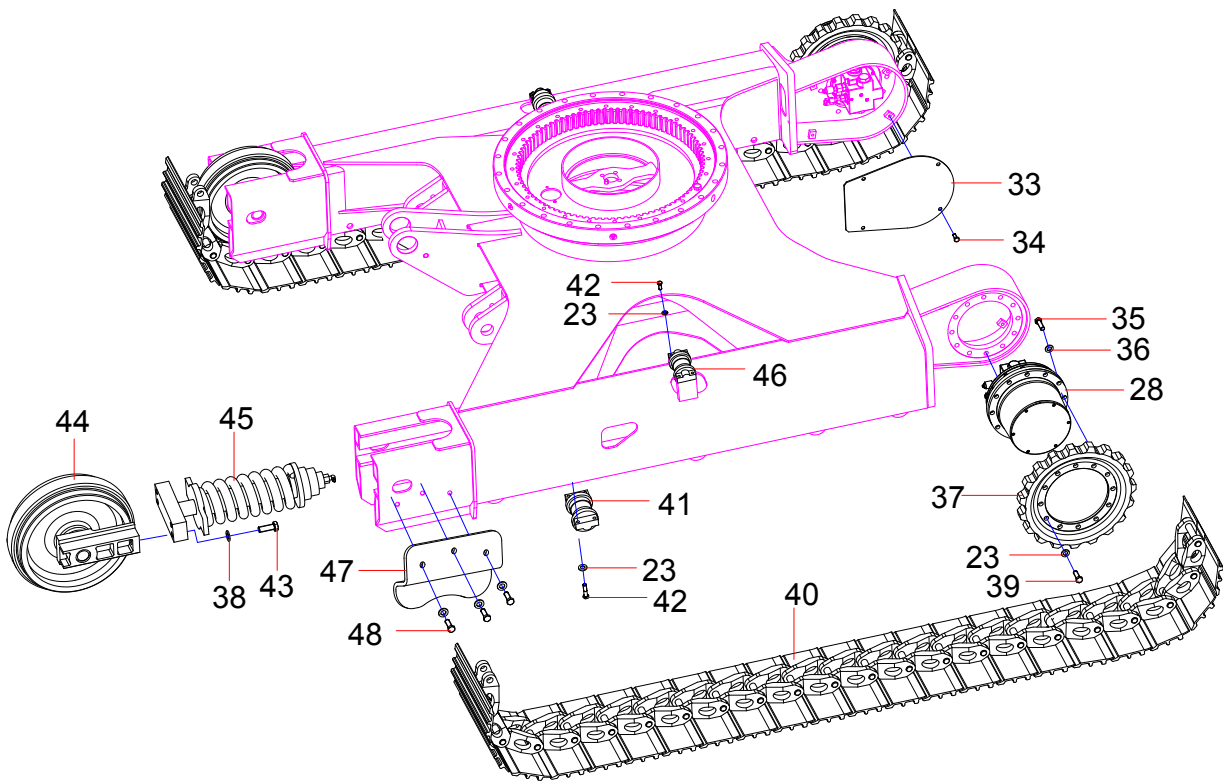
## travel device



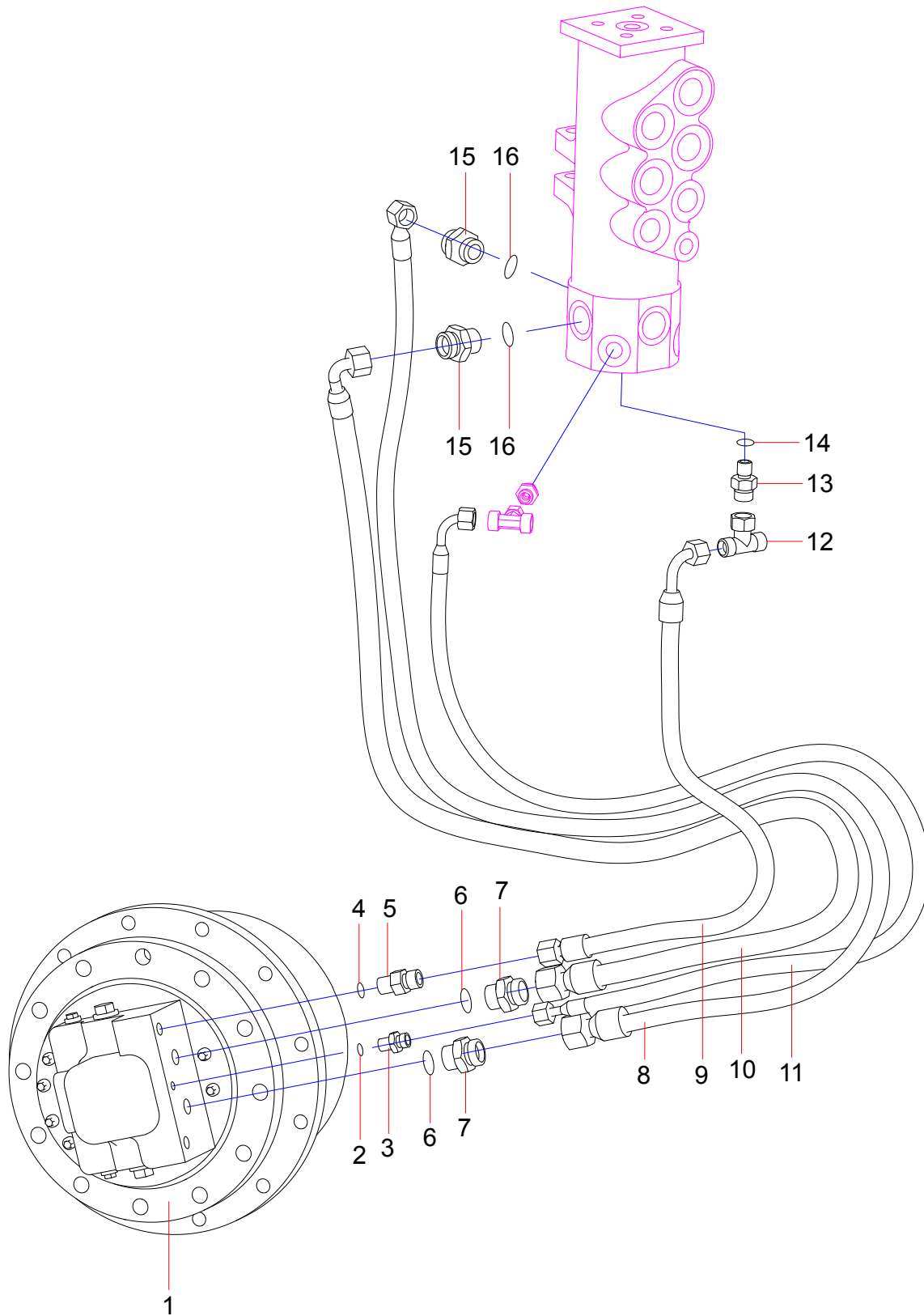
No.	Part No.	Description	Qty	Page number
1	11184816	Slewing Bearing	1	
2	A210504000014	Pin	2	
3	A311141609016	Bolt	48	
4	12087542	butter pool seal ring	1	
5	10608104	Combination Running Frame	1	
6	24000633	Washer	6	
7	A210307000055	Nut	2	
8	A820101343428	Cover Plate	1	
9	A820101343429	Shim	1	
10	10600405	Cover Plate	1	
12	A210111000199	Bolt	3	
13	10542624	Cover	2	
14	A210111000342	Bolt	4	
15	A820606030917	Protective sleeve	2	
16	A820606030920	Protective sleeve	2	
23	A210444000001	Washer	56	
38	A210491000121	Washer	3	
42	21005237	Bolt	48	



No.	Part No.	Description	Qty	Page number
11	24000512	Washer	4	
17	A210111000212	Bolt	4	
18	A820202004034	Bush	4	
19	A810312110119	Roll, pin	2	
20	14486543	Bulldozing shovel	1	
21	A210804000002	Adaptor, Grease	2	
23	A210444000001	Washer	56	
24	A230101000323	seal ring	4	
25	A210111000053	Bolt	12	
26	A810312110118	Roll, pin	2	
27	12061490	Oil cylinder guard board	1	
29	10167594	Shim	4	
30	10167595	Gasket	4	
31	10574180	Spacer	4	
32	10574179	Spacer	2	
34	A210111000012	Bolt	12	

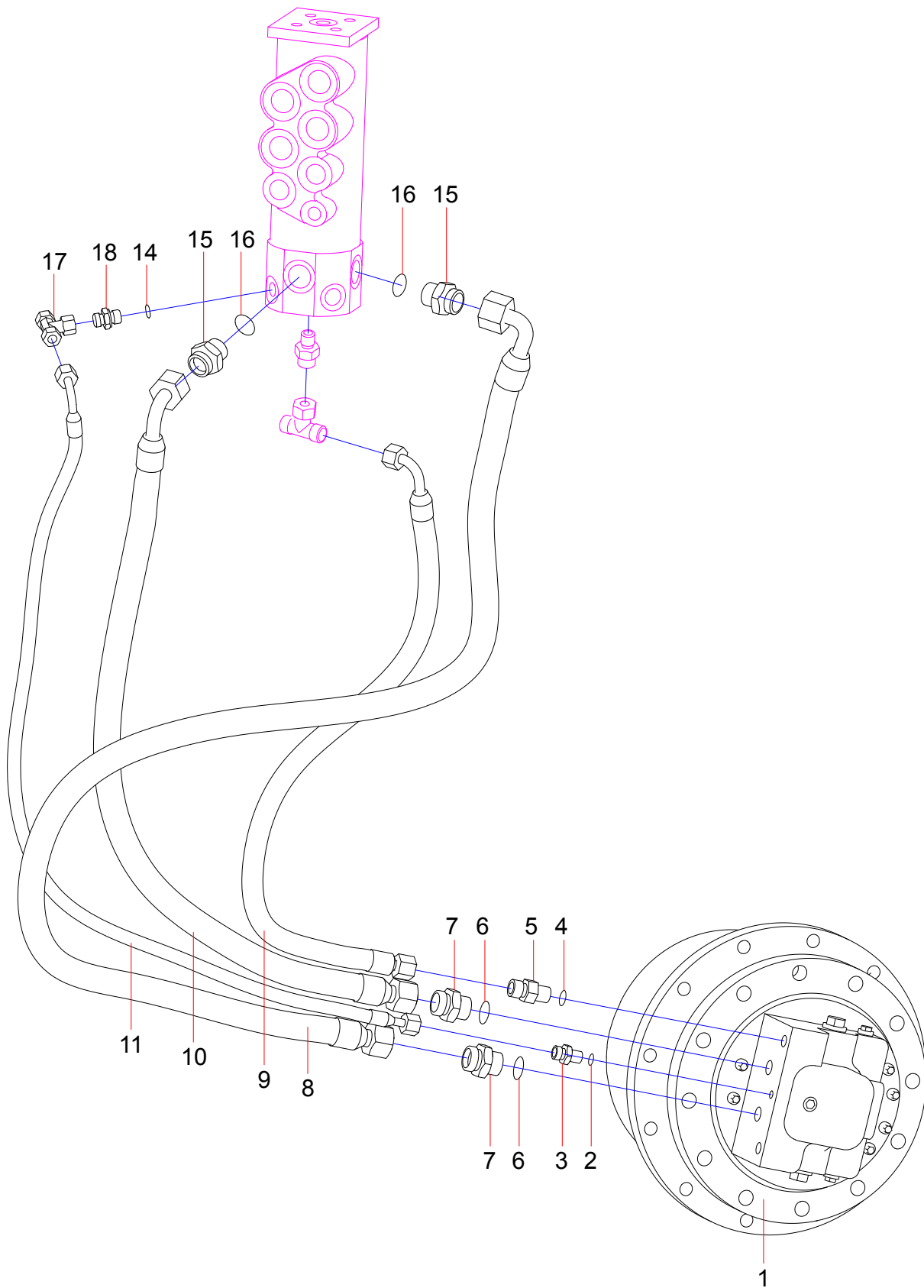


No.	Part No.	Description	Qty	Page number
23	A210444000001	Washer	56	
28	13647669	undercarriages hydraulic pipeline	1	3-8
33	A820101352521	Cover Plate	2	
34	A210111000012	Bolt	12	
35	A210111000106	Bolt	24	
36	A210491000118	Washer	36	
37	A229900005516	Driving wheel	2	
38	A210491000121	Washer	3	
39	A210111000208	Bolt	24	
40	10786223	track assembly	2	
41	11260095	Track roller	10	
42	21005237	Bolt	48	
43	21005240	Bolt	8	
44	A229900005517	leading wheel SY70-154Y-00	2	
45	A229900005521	Tensioning Equipment	2	3-26
46	11899729	carry roller	2	
47	12257014	Crawler guard board	4	

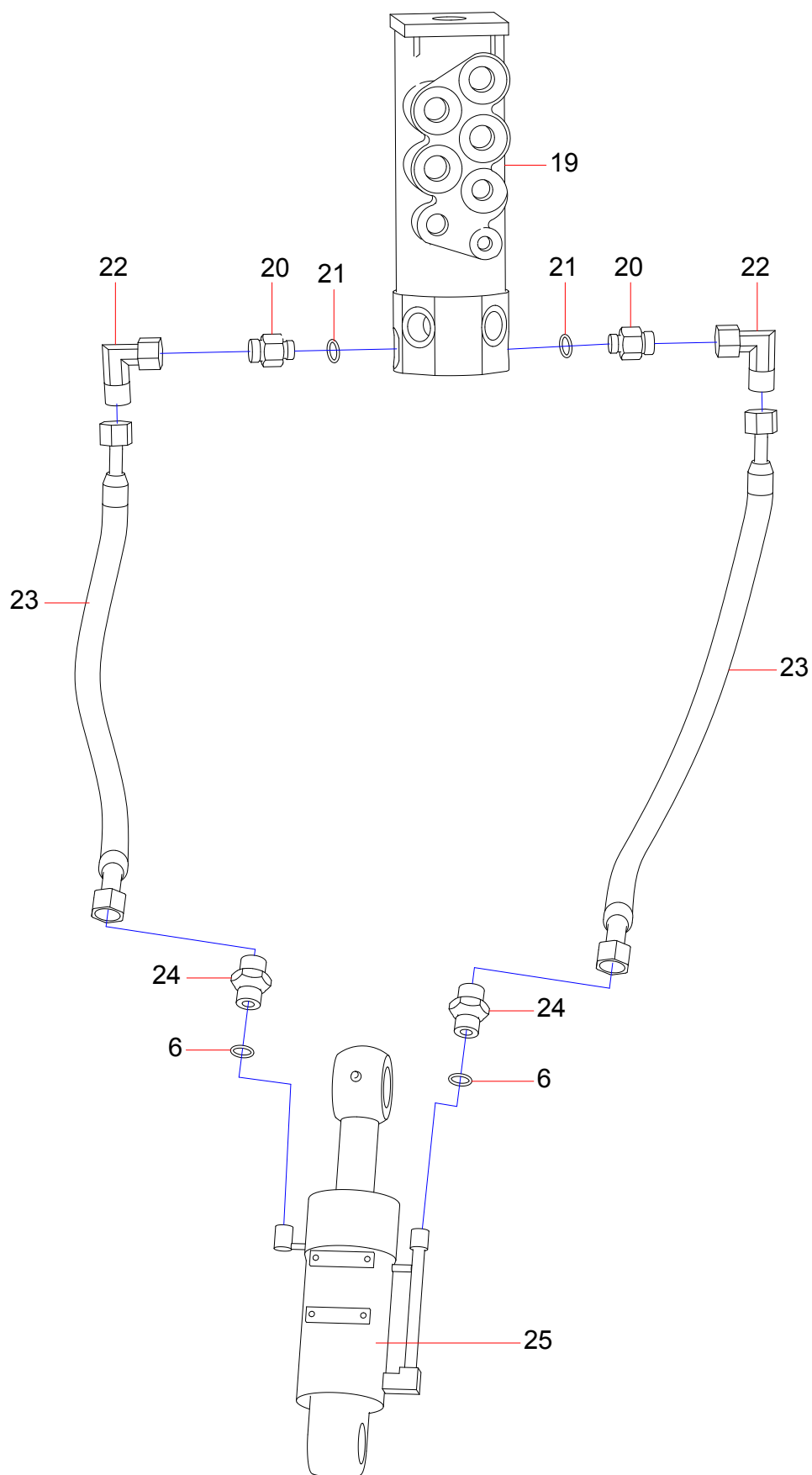




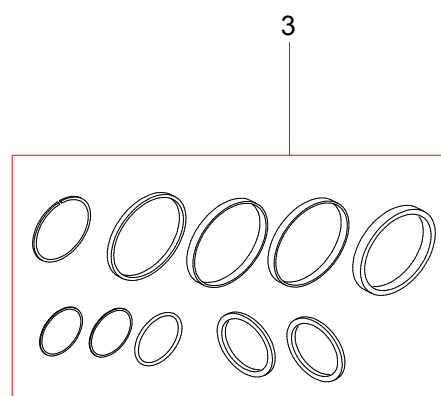
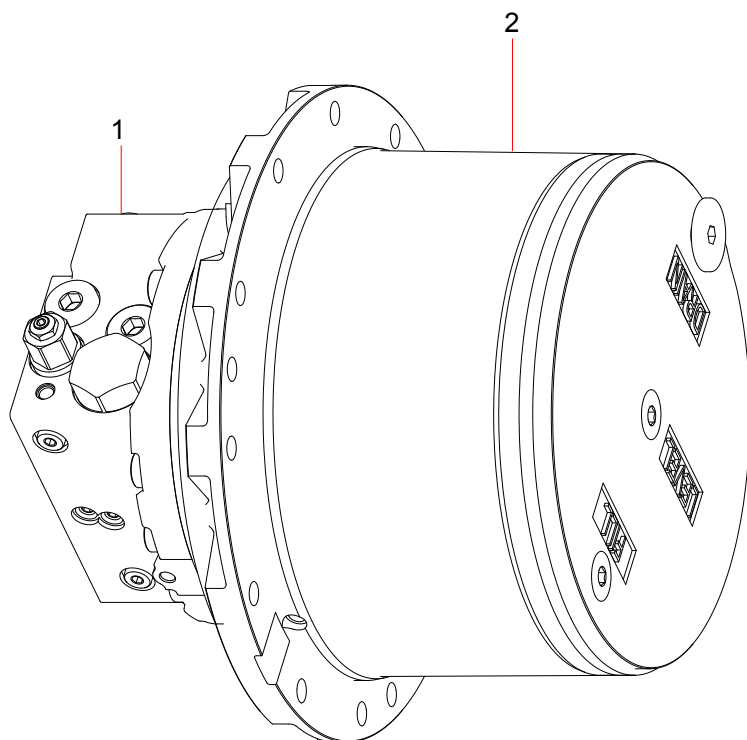
No.	Part No.	Description	Qty	Page number
1	60216387	Reducer Assembly	2	3-14
2	B230101000047	O-ring	2	
3	21002815	Fitting	2	
4	B230101000049	O-ring	2	
5	A820205002389	G3/8-M18 connector	2	
6	B230101000090	O-Ring	6	
7	21002824	Pipe connector	4	
8	B230103002155	Rubber hose	2	
9	A831413150000	Hose	2	
10	B230103000380	Rubber hose	2	
11	B230103000872	Rubber Hose 1SN6-DKOL-DKOL90-1500	2	
12	B210780000019	Fitting, tee, L-shape	1	
13	A820205000894	Fitting	1	
14	A230101000247	O-ring 10.9×2.3(JISB2401)	2	
15	A820205002377	Fitting	4	
16	A230101000244	O-ring	4	



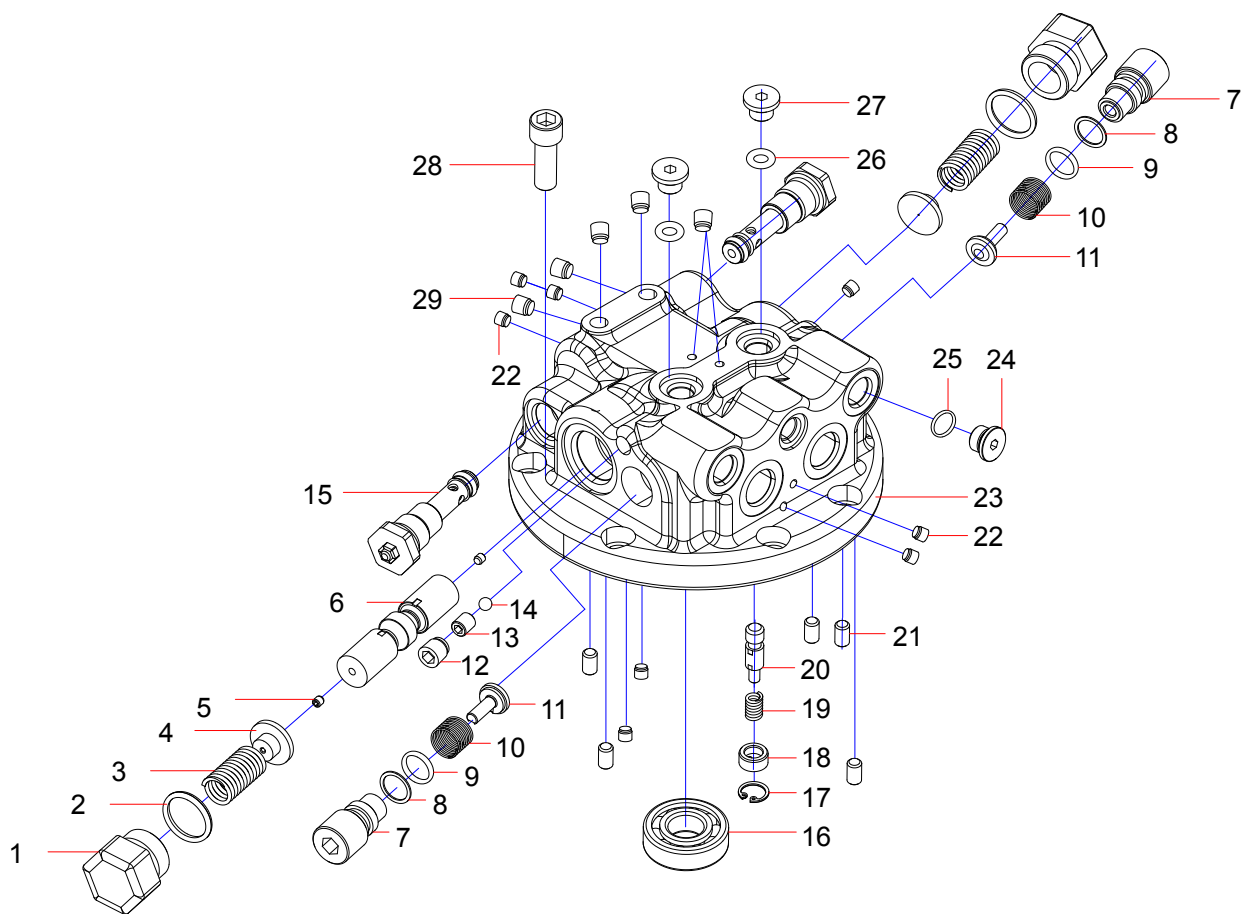
No.	Part No.	Description	Qty	Page number
1	60216387	Reducer Assembly	2	3-14
2	B230101000047	O-ring	2	
3	21002815	Fitting	2	
4	B230101000049	O-ring	2	
5	A820205002389	G3/8-M18 connector	2	
6	B230101000090	O-Ring	6	
7	21002824	Pipe connector	4	
8	B230103002155	Rubber hose	2	
9	A831413150000	Hose	2	
10	B230103000380	Rubber hose	2	
11	B230103000872	Rubber Hose 1SN6-DKOL-DKOL90-1500	2	
14	A230101000247	O-ring 10.9×2.3(JISB2401)	2	
15	A820205002377	Fitting	4	
16	A230101000244	O-ring	4	
17	B210780000172	Fitting	1	
18	21002840	Fitting	1	



No.	Part No.	Description	Qty	Page number
6	B230101000090	O-Ring	6	
19	A229900004501	SY60 central slewing adaptor 8ZWII14K2L	1	3-22
20	B229900003725	Fitting, Adapter	2	
21	A210608000032	O-ring	2	
22	B210780000025	Fitting, Elbow	2	
23	B230103005441	Rubber Hose	2	
24	21002822	Fitting	2	
25	11281501	Bulldozing shovel oil cylinder	1	3-24

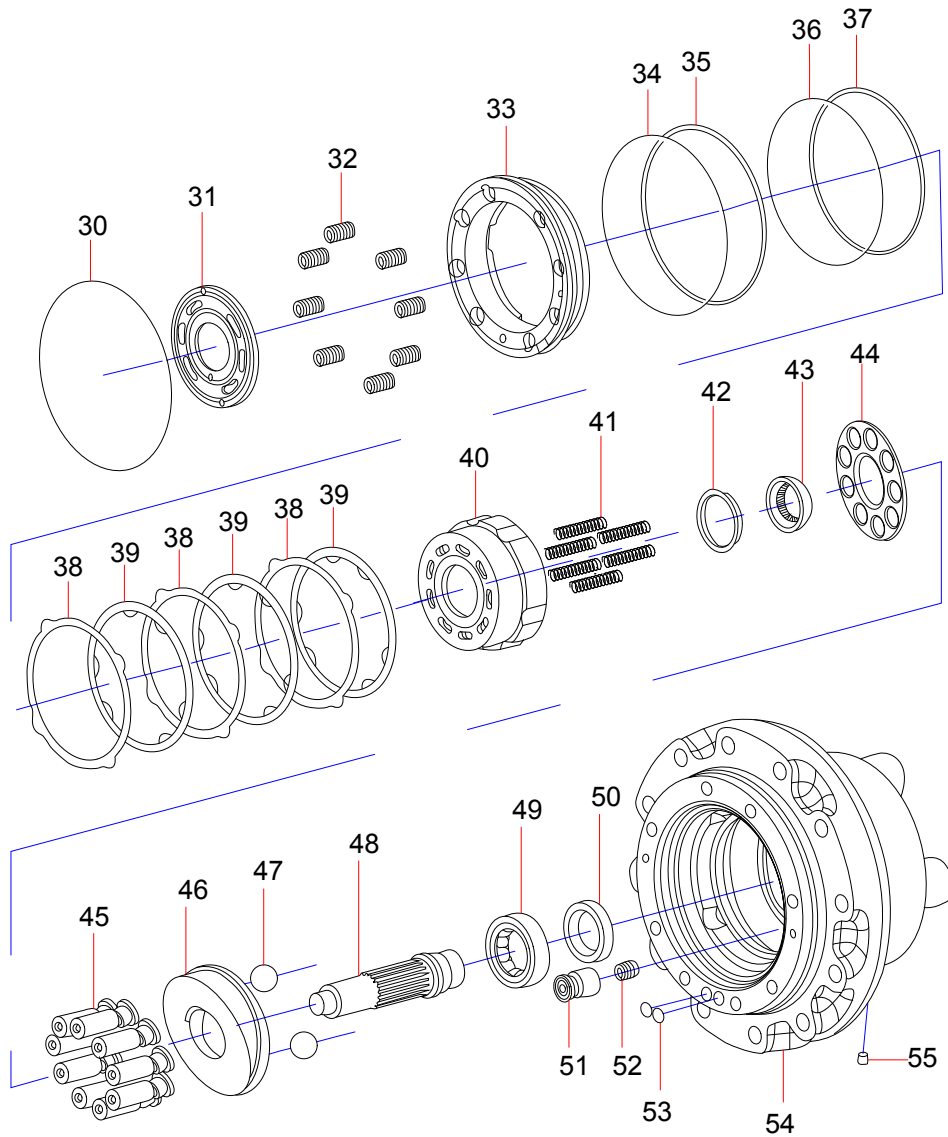


No.	Part No.	Description	Qty	Page number
1	60308159	Track Motor	1	3-16
2	60308160	Track Reducer	1	3-20
3	60114291K	Reducer assembly repair kit	1	

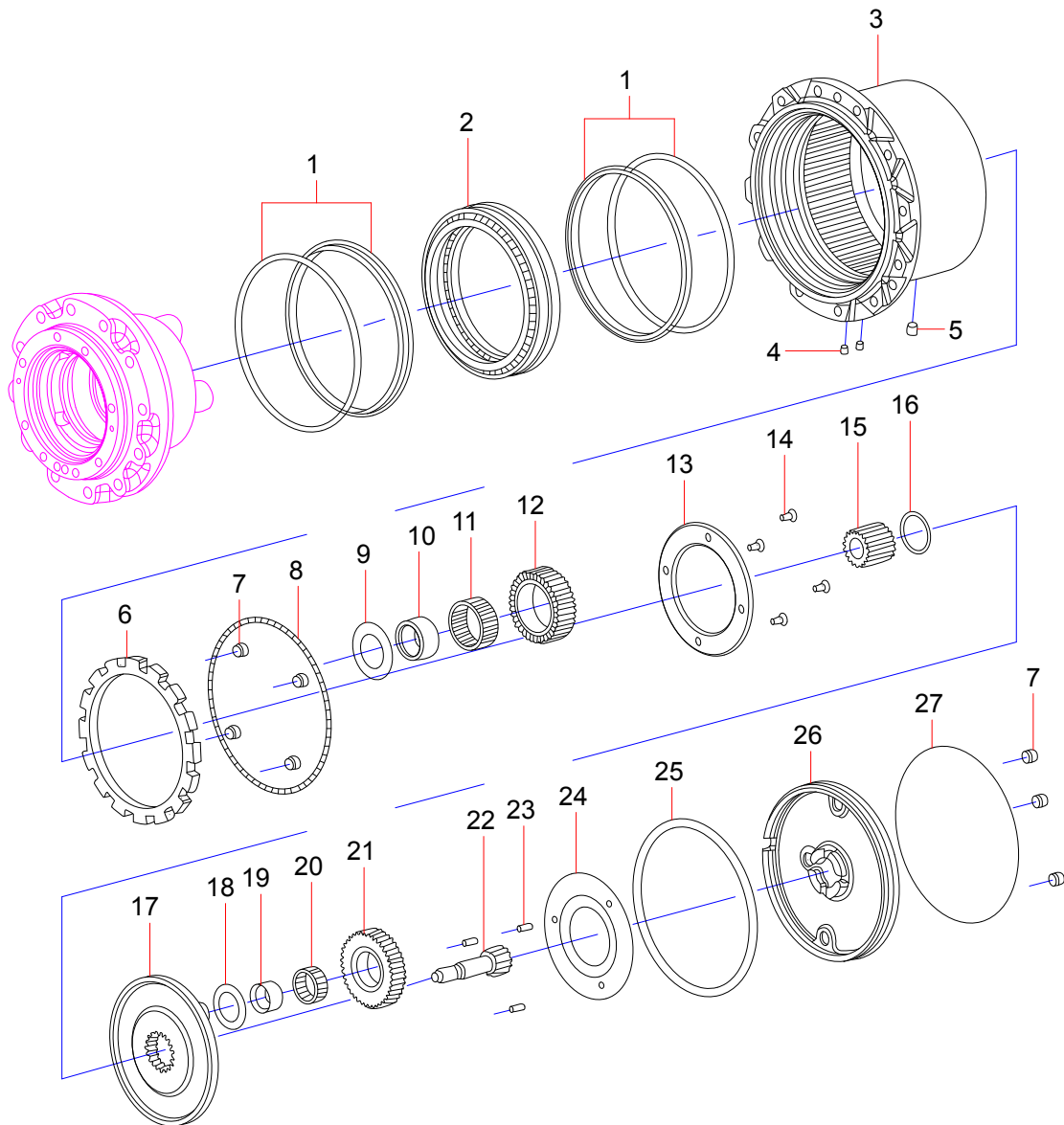




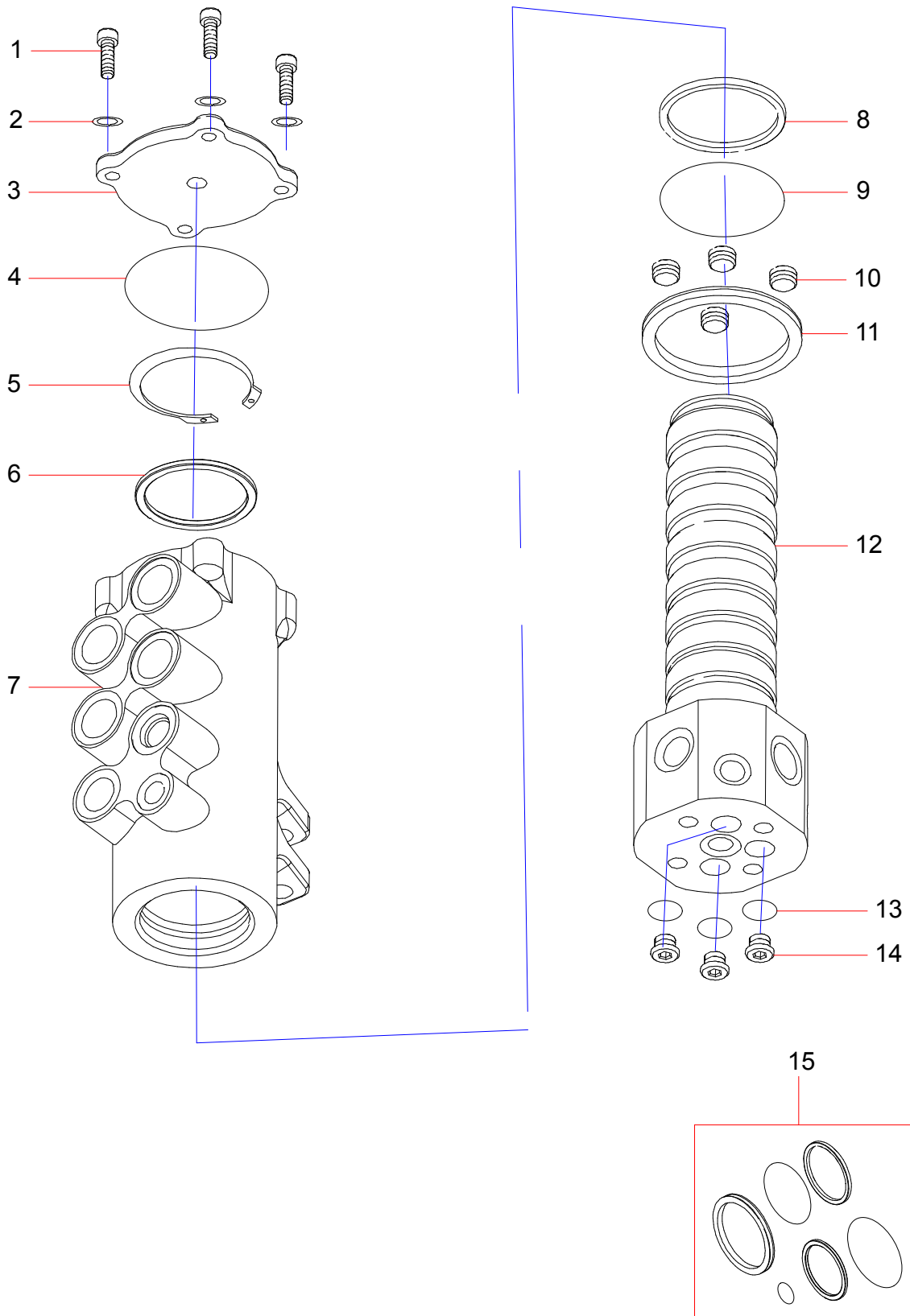
No.	Part No.	Description	Qty	Page number
1	60038507	Plug	2	
2	60308162	O-RING	2	
3	60038235	Spring	2	
4	60038270	SPRING SEAT	2	
5	60098980	Orifice	2	
6	60098955	Main Spool	1	
7	60038506	Plug	2	
8	60265972	BACK UP RING	2	
9	B230101000229	O - Ring	2	
10	60038234	Spring	2	
11	60038060	Check	2	
12	60038515	Plug	1	
13	60038201	Check seat	1	
14	60037974	STEEL BALL	1	
15	60098952	Relief V/V Assy	2	
16	60098959	Ball Bearing	1	
17	60038304	Snap ring	1	
18	60098947	Stopper	1	
19	60098970	Spring	1	
20	60098950	Spool	1	
21	60098986	Pin	4	
22	60038513	Plug	8	
23	60308161	REAR COVER	1	
24	60038511	Plug	1	
25	B230101000049	O-ring	1	
26	60256362	O-RING	2	
27	60038512	Plug	2	
28	60038530	Socket bolt	8	
29	60038516	PLUG	4	



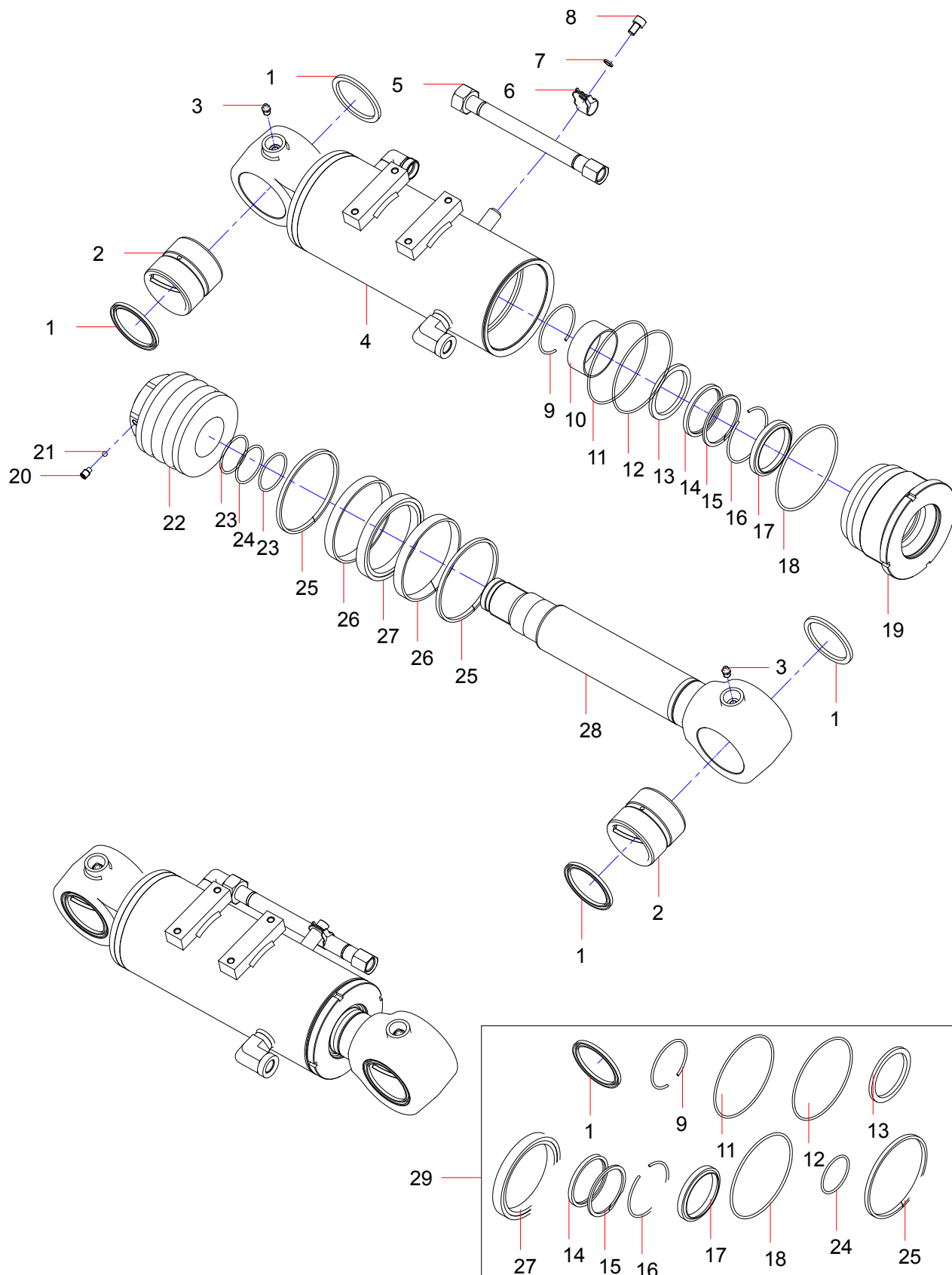
No.	Part No.	Description	Qty	Page number
30	60069452	O-Ring	1	
31	60098951	Valve Plate	1	
32	60038236	SPRING	8	
33	60098992	Parking Piston	1	
34	A210608000106	O-ring	1	
35	60308170	BACK UP RING	1	
36	60083514	O-ring	1	
37	150288000320A	Back Up Ring	1	
38	60038036	PARKING PLATE	3	
39	60038550	FRICITION PLATE	3	
40	60308166	CYLINDER BLOCK	1	
41	60038231	SPRING	6	
42	60098985	Spacer	1	
43	60098984	Ball Guide	1	
44	60098944	Set Plate	1	
45	60098998	Piston Assy	9	
46	60098988	Swash Plate	1	
47	60037972	SWASH STEEL BALL	2	
48	60308165	Shaft	1	
49	60098961	Dearing	1	
50	60308164	Seal - Oil	1	
51	60098997	Swash Piston Assy	1	
52	60038229	SPRING	1	
53	B230101000357	O-ring	2	
54	60098996	Shaft Casing	1	
55	60037943	EXPAND	1	



No.	Part No.	Description	Qty	Page number
1	60098976	Floating Seal	2	
2	60308174	ANGULAR BEARING	1	
3	60308173	RING GEAR	1	
4	60209584	Screw plug	2	
5	60038515	Plug	1	
6	60098981	Nut	1	
7	60038517	Plug	7	
8	60037971	STEEL BALL	115	
9	60098974	Washer	4	
10	60098994	Collar	4	
11	60098964	Planetary Gear(A)	4	
12	60098958	Needle Bearing	4	
13	60098946	Plate	1	
14	60038526	BOLT	4	
15	60098963	Sun Gear	1	
16	60098973	Snap Ring	1	
17	60308175	Carrier	1	
18	60308176	WASHER	3	
19	60308177	COLLAR	3	
20	60308179	NEEDLE BEARING	3	
21	60308178	Planetary Gear	3	
22	60308180	DRIVE GEAR	1	
23	60098971	Spring Pin	3	
24	60098991	Thrust Plate	1	
25	60099005	O-Ring	1	
26	60098968	Ring Gear Cover	1	
27	60098948	Wire	1	

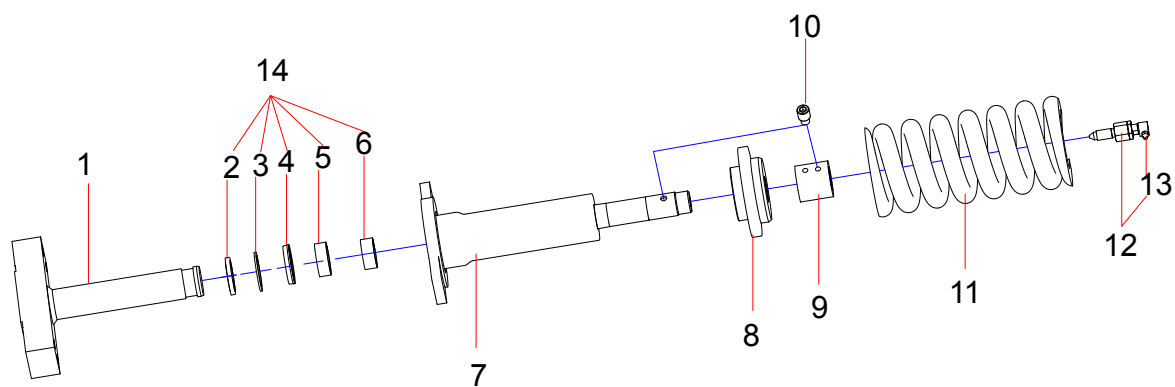


No.	Part No.	Description	Qty	Page number
1	A210204000164	Screw	4	
2	A210401000017	Washer	4	
3	60082589	End cover	1	
4	A880802010050	O-ring	1	
5	A210414000065	Retainer Ring	1	
6	60038293	Retainer Ring	1	
7	60038344	Rotary body	1	
8	60038861	Rotary sealing	8	
9	60038773	O-ring	2	
10	60037997	Conical plug	4	
11	60082587	Water seal	1	
12	60038388	Rotary shaft	1	
13	24002626	O-ring	3	
14	60082588	Screw Plug	3	
15	60037855	Center Swivel Joint Repairing bag	1	





No.	Part No.	Description	Qty	Page number
1	60215141	Dust ring	4	
2	11281381	Bush	2	
3	A229900010158	Fitting, grease	2	
4	12831132	Cylinder Assem.	1	
5	11270571	Cylinder Drum Component	1	
6	11647963	Pipe clamp	1	
7	A210434000011	Washer	1	
8	A210204000196	Screw	1	
9	A210417000075	Retainer Ring75GB895.1-86	1	
10	A880809020008	杯士	1	
11	A880802040017	O-ring	1	
12	13254939	Retaining Ring	1	
13	60084612	Seal ring	1	
14	60107394	Seal ring	1	
15	A880806030100	Bearing Ring	1	
16	A210417000103	Ring, Retainer	1	
17	60136782	Dust ring	1	
18	21011613	O-ring	1	
19	12831131	Guide Sleeve	1	
20	A210208000008	Screw	1	
21	A880899030000	Steel ball	1	
22	13279347	Piston	1	
23	10250773	Ring, Back-up	2	
24	60000846	O-ring	1	
25	A880806030050	Anti-pollution loop	2	
26	B230101001371	Ring, Wear	2	
27	60087457	Seal ring	1	
28	11270434	piston rod	1	

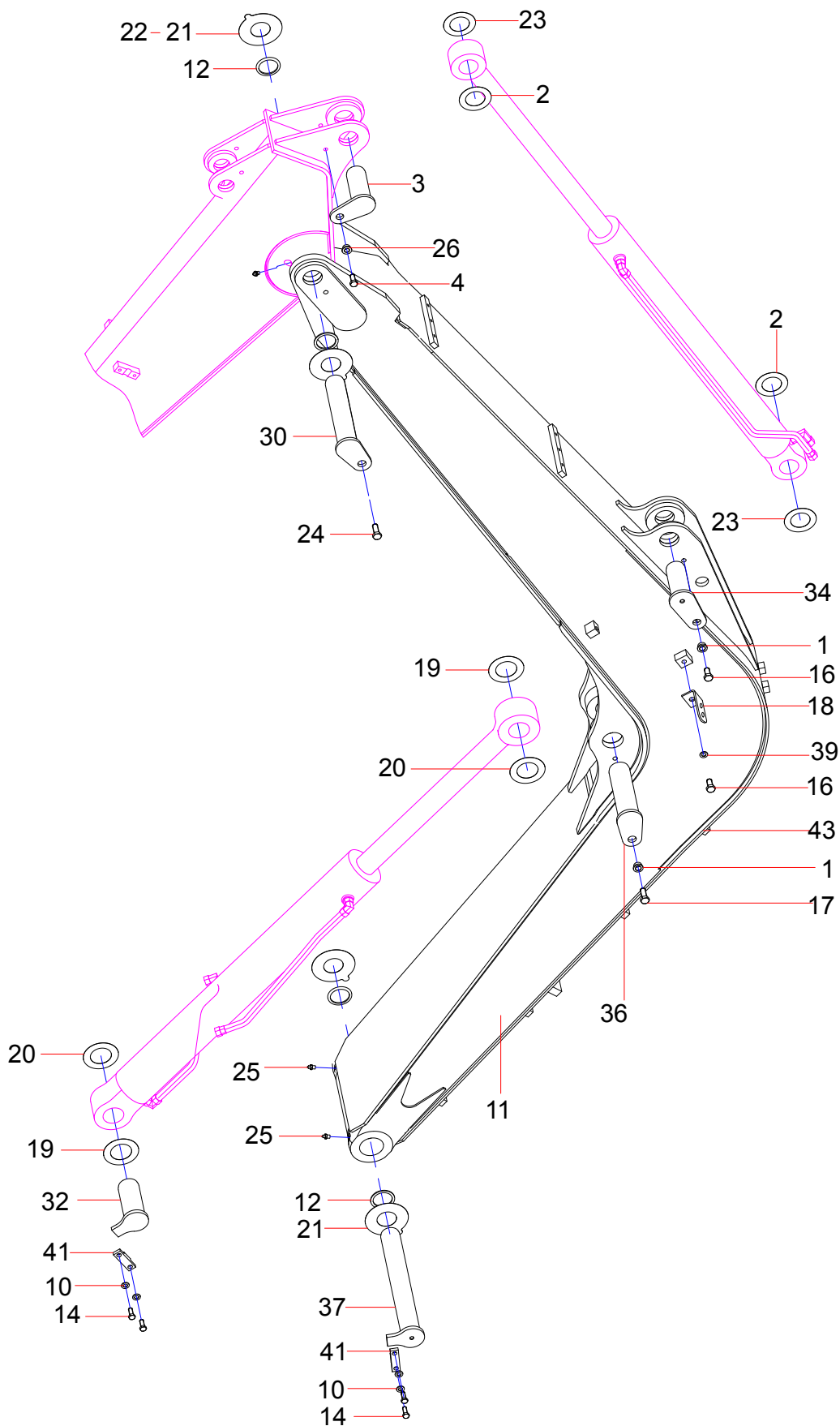


No.	Part No.	Description	Qty	Page number
1	60281035	mandrel	1	
2	60281039	scraper seal	1	
3	60281040	retaining ring	1	
4	60281041	channel gask	1	
5	60281042	wearing ring	1	
6	60281043	wearing ring	1	
7	60281036	cylinder body	1	
8	60281037	spring seat	1	
9	60281038	nut	1	
10	A210207000006	Screw	1	
11	60042188	Tensioning Equipment Spring	1	
12	60040646	Tensioning Equipment Refiller Valve	1	
13	60337293	grease fitting	1	
14	60037860	Tensioning Equipment Repairing bag	1	

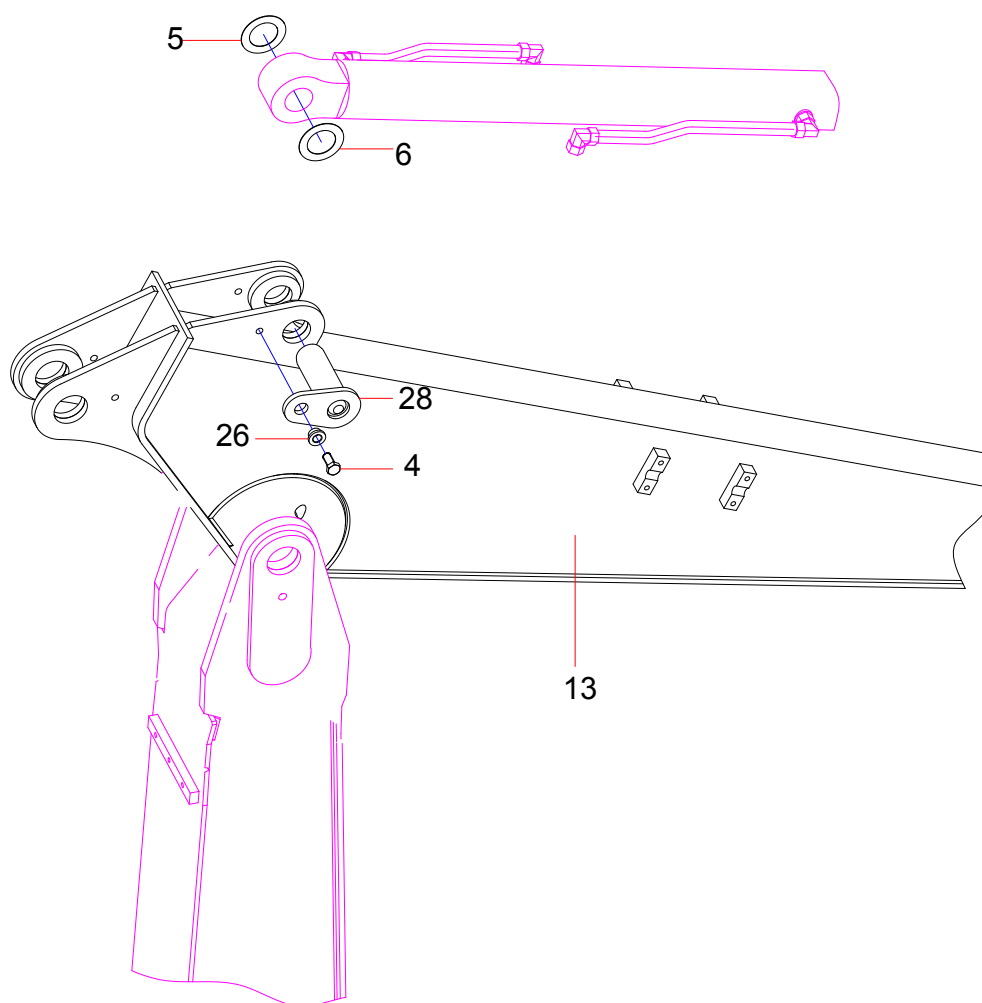
BLANK PAGE

# Group 4

## Work device

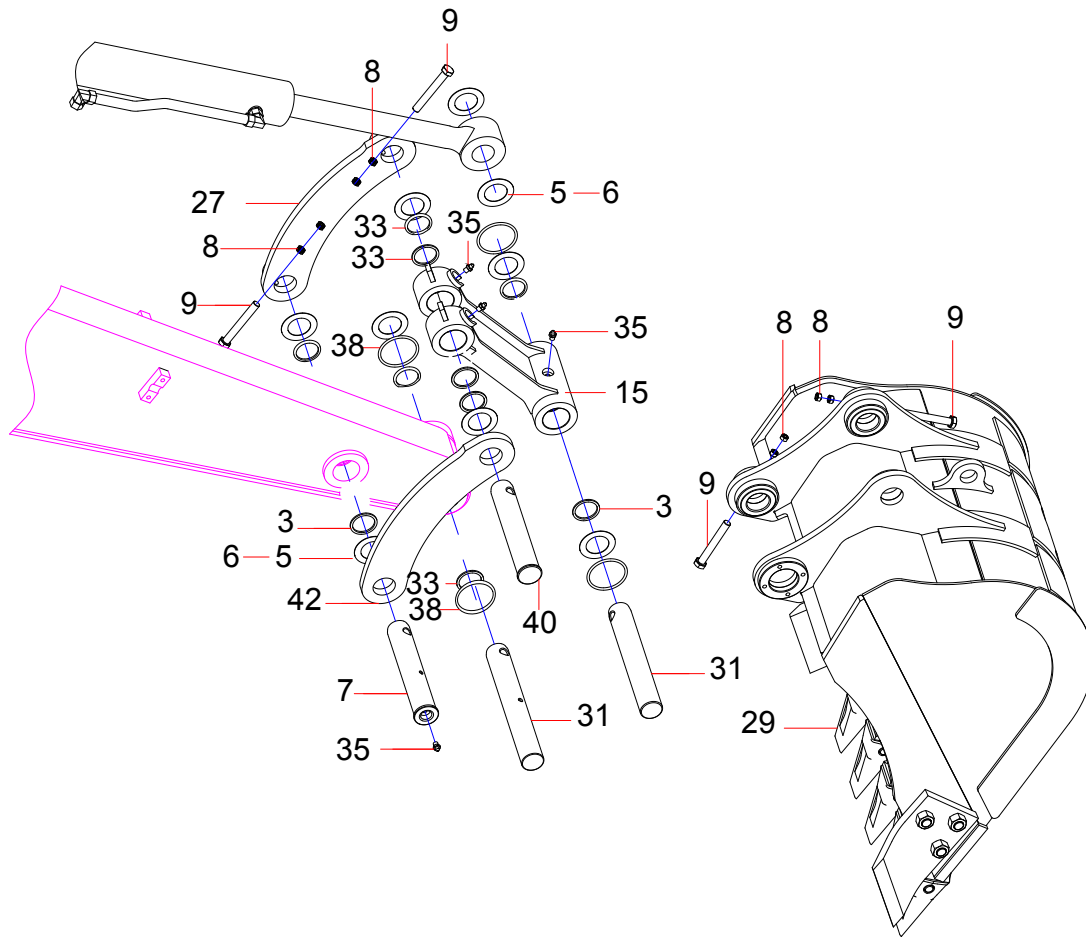


No.	Part No.	Description	Qty	Page number
1	A820202004034	Bush	2	
2	A820102010782	Spacer	4	
3	A810312110098	Roll, pin	1	
4	A210111000205	Bolt	2	
10	A210491000121	Washer	4	
11	14148515	Movable Arm	1	4-10
12	B230101001118	Dust Ring	4	
14	A210111000202	Bolt	4	
16	A210111000263	Bolt	2	
17	A210111000053	Bolt	1	
18	A820101322531	Bracket, lamp	1	
19	A810312990208	Shim	4	
20	A810312990209	Shim	4	
21	A820102010779	Spacer	4	
22	A820102010780	Spacer	4	
23	A820102010781	Spacer	4	
24	21005243	Bolt	1	
25	60017380	Butter Nozzle	2	
26	A820202004035	Bush	2	
30	12331899	Brace piece axial pin	1	
32	10845524	Brace piece axial pin	1	
33	B230101001119	Dust Ring	10	
34	A810312110104	Roll, pin	1	
36	10875673	Roll, pin	1	
37	12332283	Brace piece axial pin	1	
39	A210491000118	Washer	1	
41	10595640	Plate, fixing	2	
43	13647670	work device tube	1	4-18

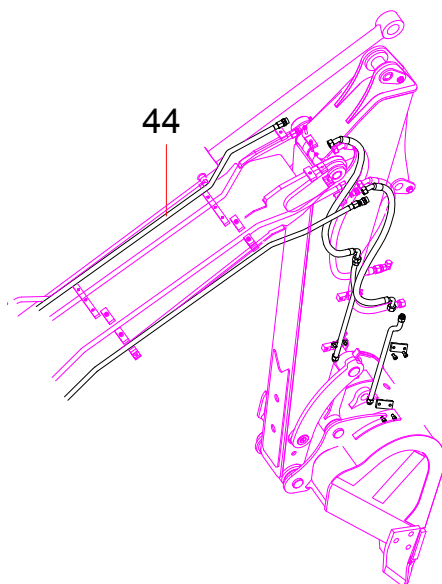




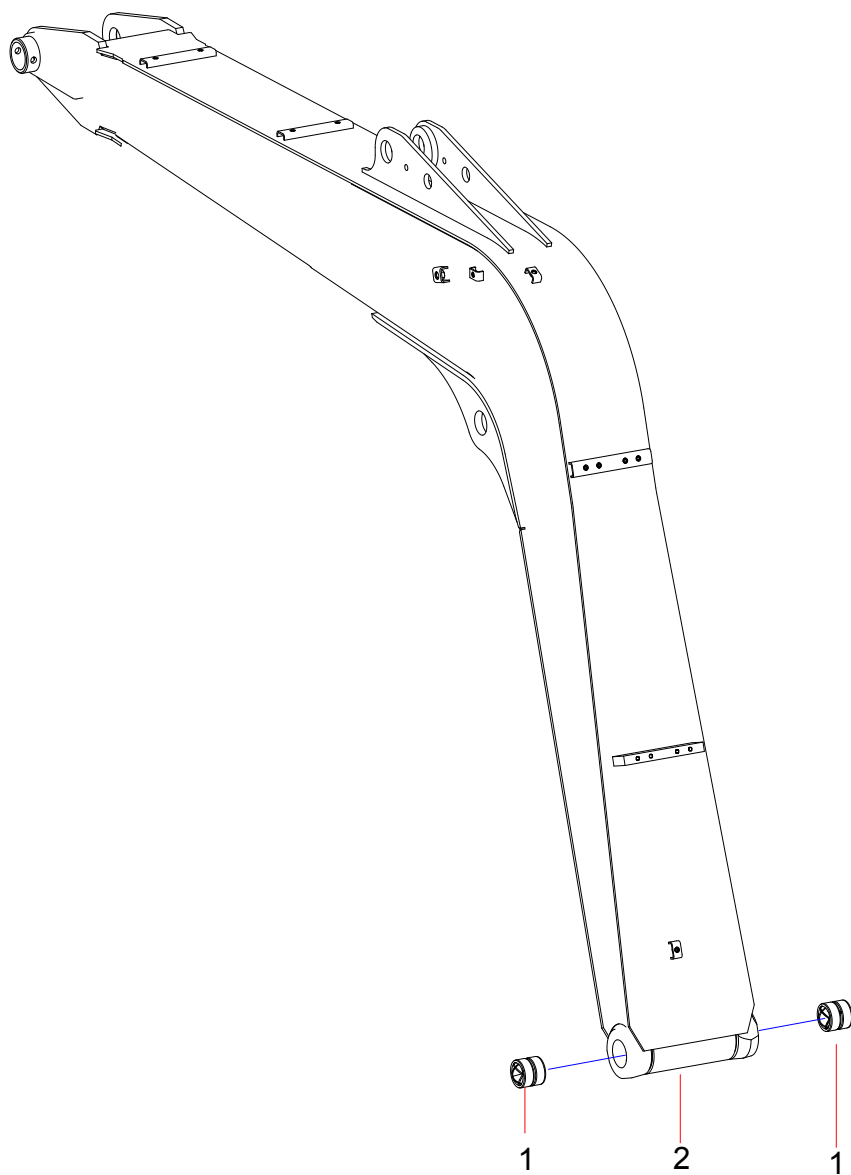
No.	Part No.	Description	Qty	Page number
4	A210111000205	Bolt	2	
5	A820102010783	Shim	11	
6	A820102010784	Shim	11	
13	14148553	Bucket Arm	1	4-12
26	A820202004035	Bush	2	
28	A810312110099	Roll, pin	1	



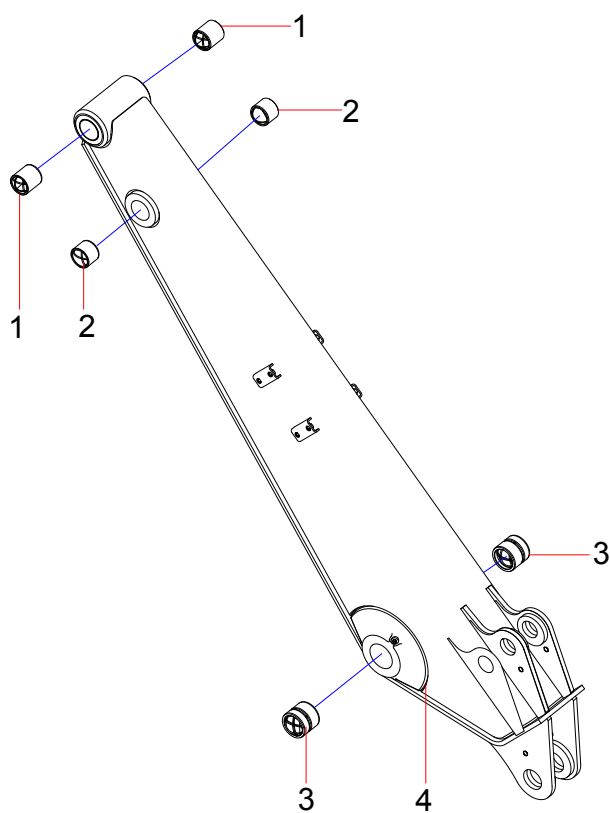
No.	Part No.	Description	Qty	Page number
3	A810312110098	Roll, pin	1	
5	A820102010783	Shim	11	
6	A820102010784	Shim	11	
7	A820301021346	Axial pin with hole	1	
8	A210307000028	Nut	10	
9	23002093	Bolt	4	
15	14148558	Connecting Rod	1	4-14
27	A810312090019	Left jiggle bar	1	
29	10468495	Bucket Assembly	1	4-16
31	A820301021349	Axial pin with hole	2	
33	B230101001119	Dust Ring	10	
35	A210804000002	Adaptor, Grease	7	
38	A880802010064	O-ring	2	
40	A820301021347	Axial pin with hole	1	
42	A810312090020	Right jiggle bar	1	



No.	Part No.	Description	Qty	Page number
44	SSY004676239	breaker pipeline	1	4-26

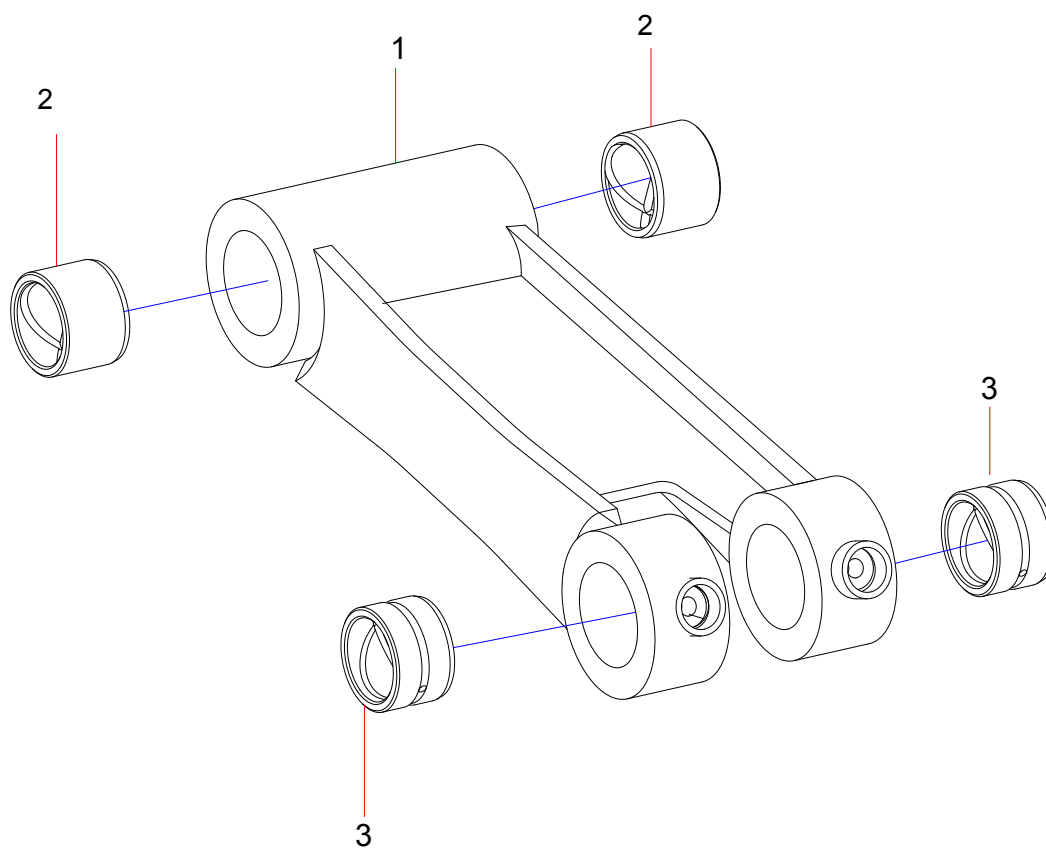


No.	Part No.	Description	Qty	Page number
1	A820202005318	Shaft Sleeve	2	
2	12605969	Movable Arm	1	

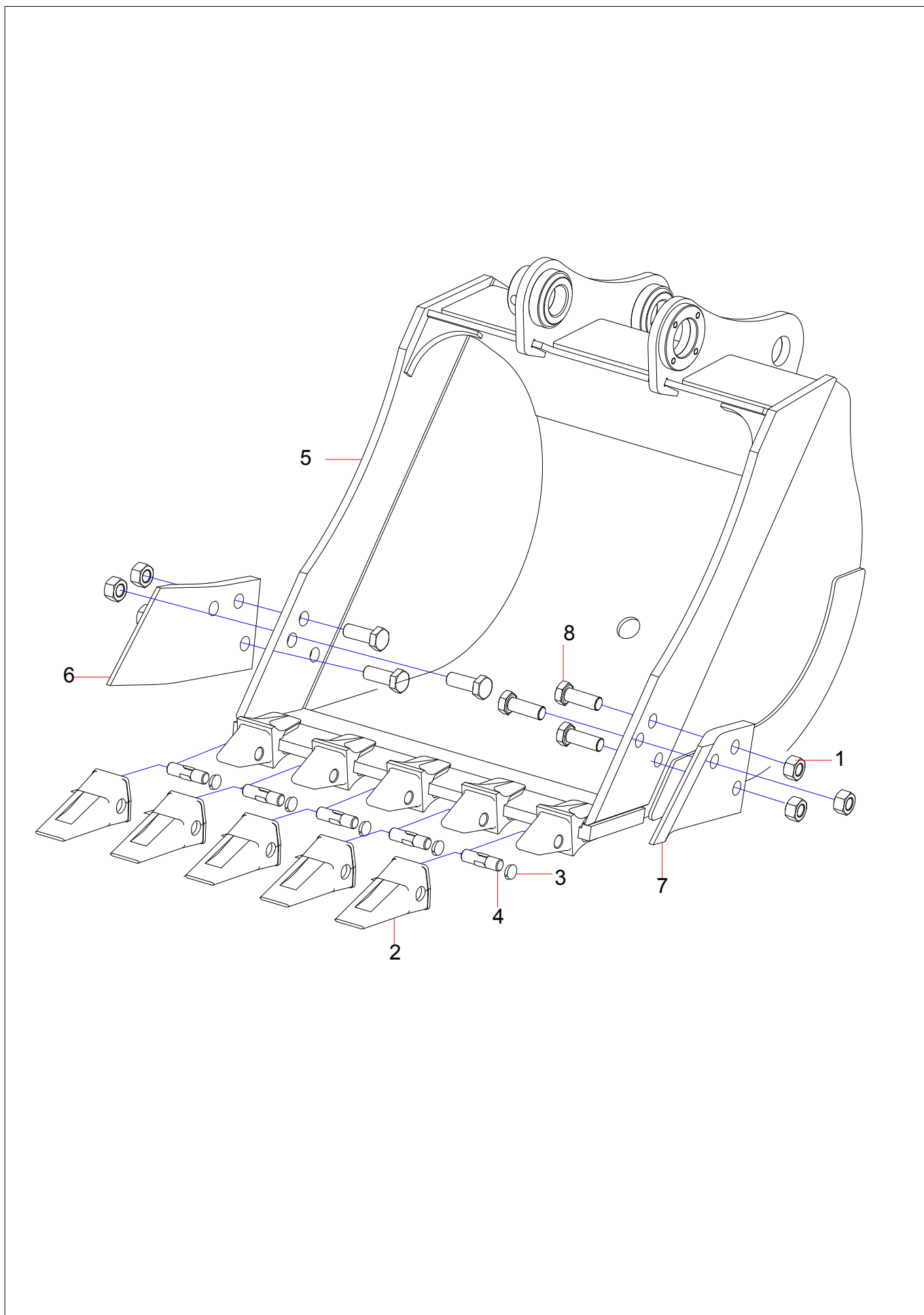




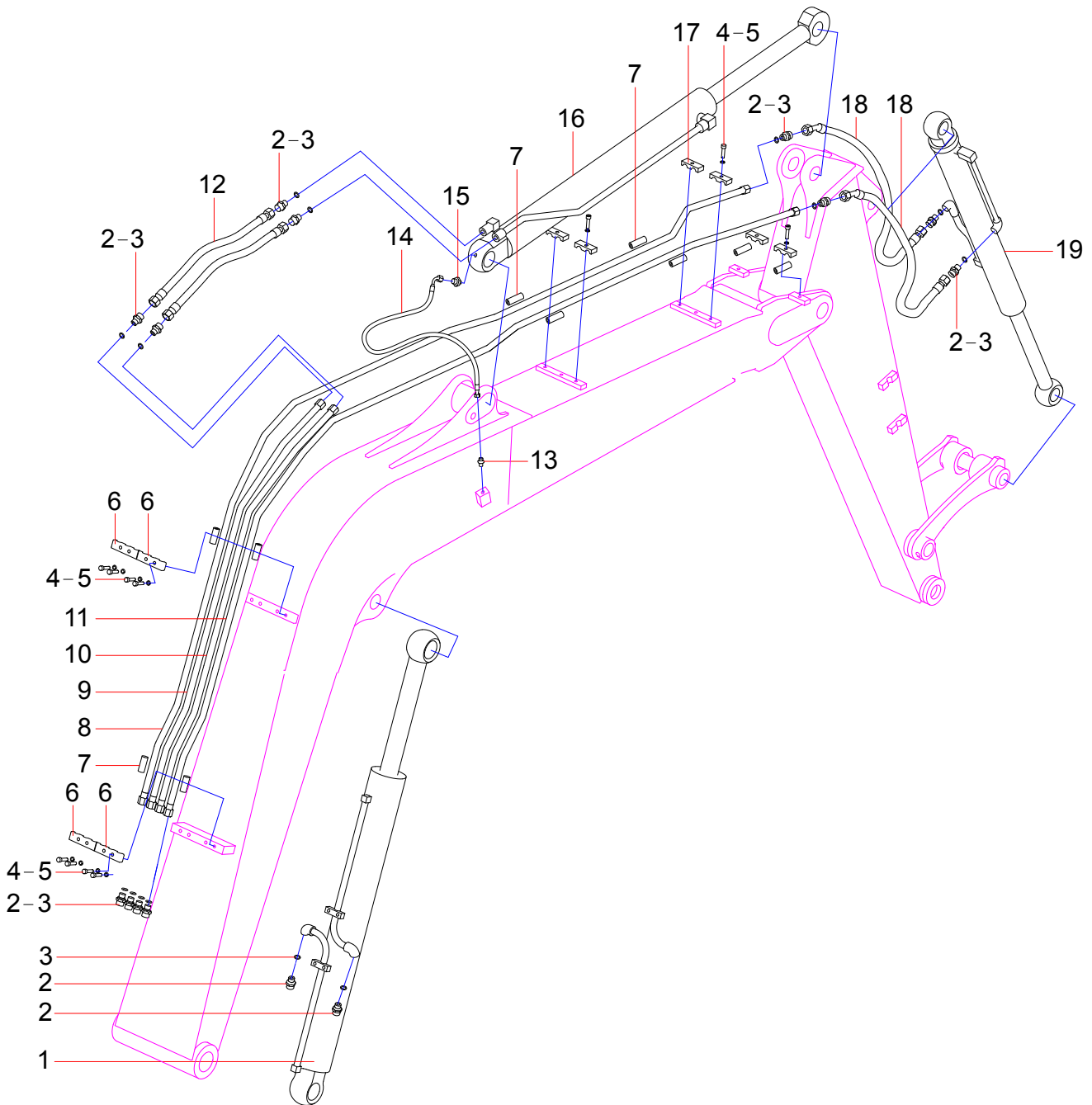
No.	Part No.	Description	Qty	Page number
1	13370484	Shaft Sleeve	2	
2	A820202005320	Shaft Sleeve	2	
3	A820202005319	Shaft Sleeve	2	
4	12001886	Bucket Arm	1	



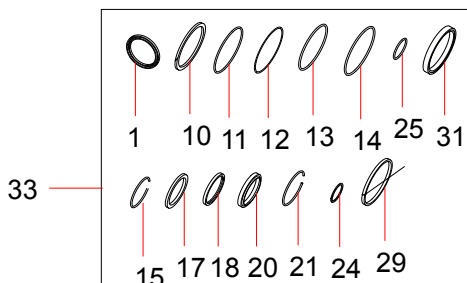
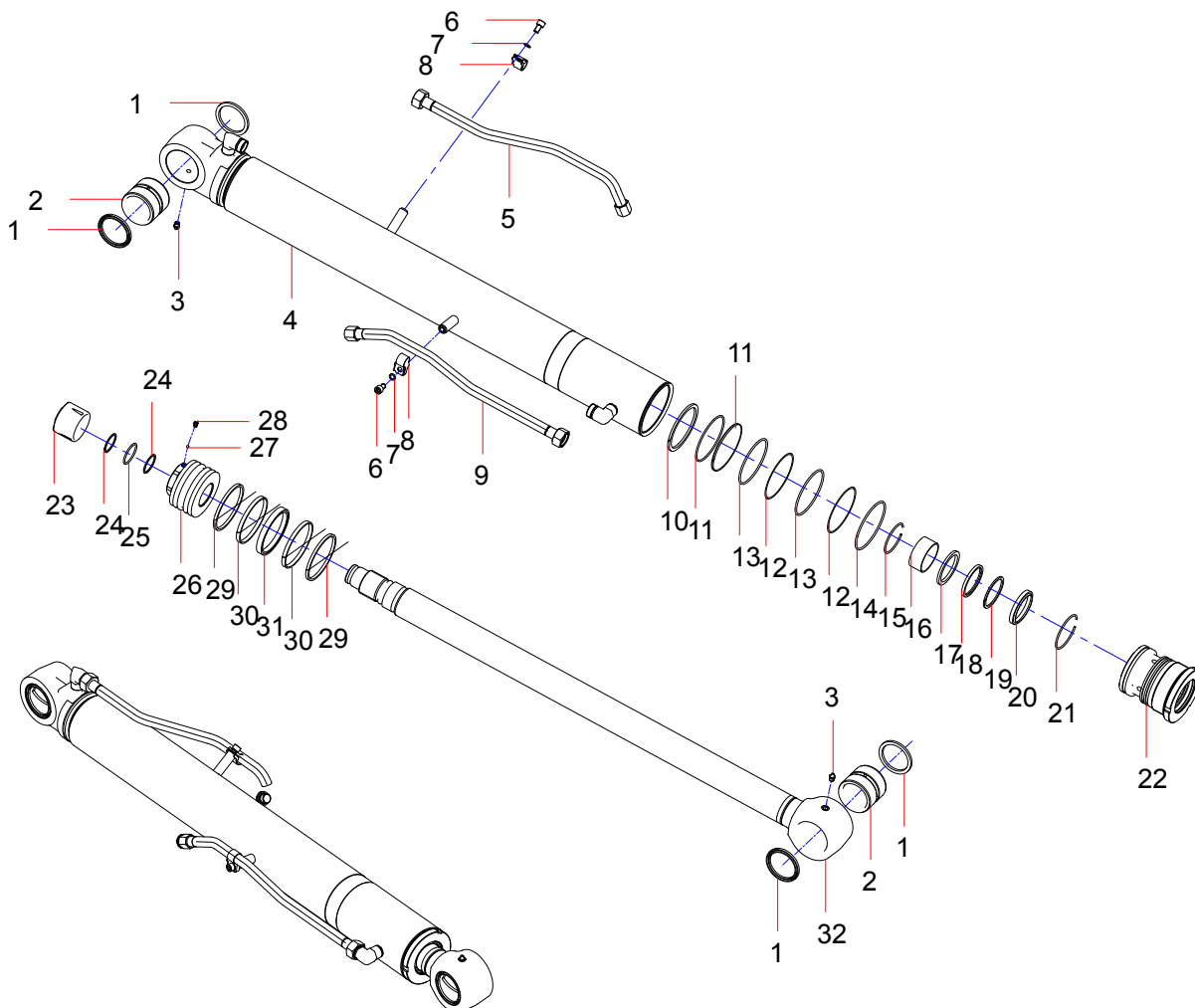
No.	Part No.	Description	Qty	Page number
1	A820202005321	Shaft Sleeve	2	
2	A810312100032	Connecting Rod	1	
3	A820202005320	Shaft Sleeve	2	



No.	Part No.	Description	Qty	Page number
1	10468494	bucket	1	
2	A229900002159	Knife angle	1	
3	60012073	Nut	6	
4	A210111000301	Bolt	6	
5	12076809	Bucket Tooth	5	
6	12076815	Bucket Tooth Pin	5	
7	A229900007313	right cutting blade	1	
8	12076820	Tightening cover	5	

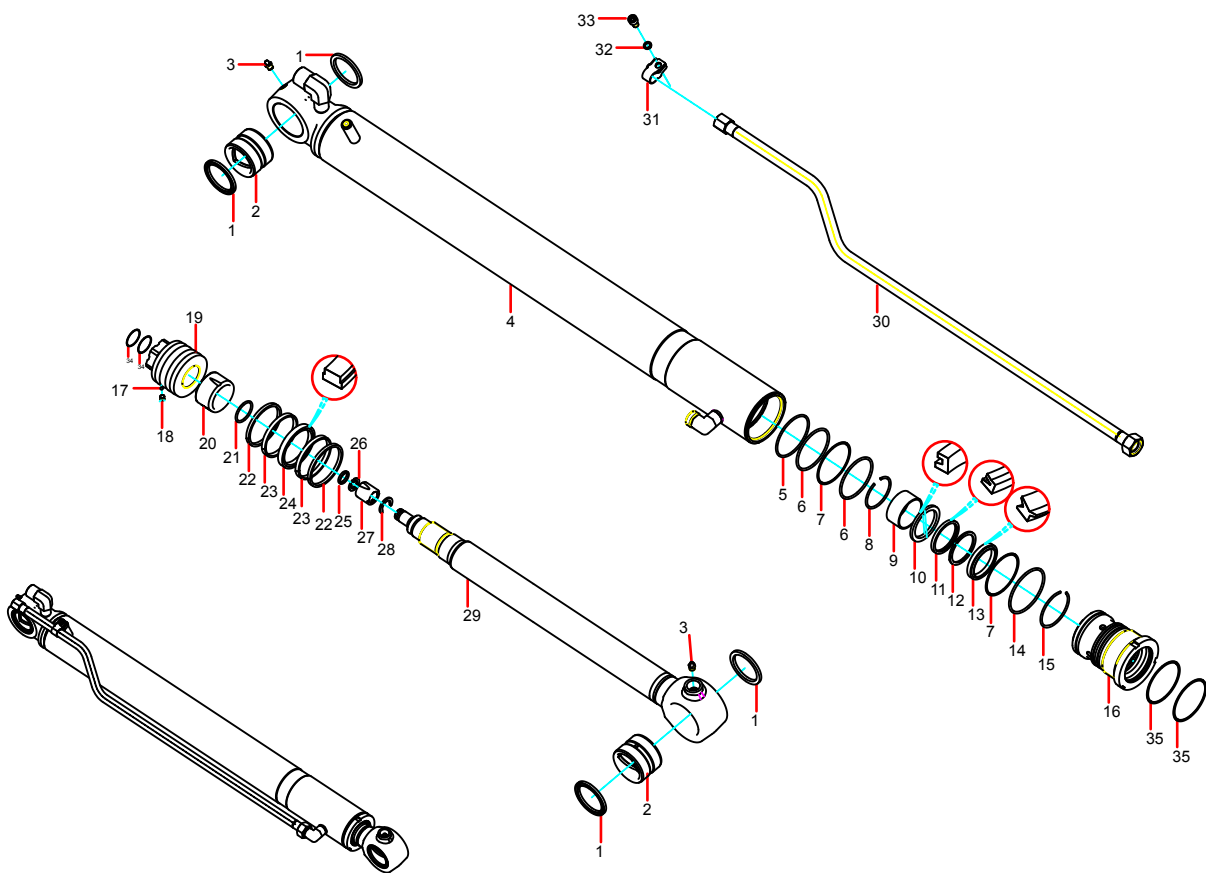


No.	Part No.	Description	Qty	Page number
1	11474836	Right Boom Cylinder	1	4-20
2	21002824	Pipe connector	14	
3	B230101000090	O-Ring	14	
4	A210111000120	Bolt	14	
5	A210491000120	Washer	14	
6	12085733	Upper tube clamp	4	
7	10218052	Supporting steel tube	10	
8	11605369	Steel Pipe Assy	1	
9	10549478	Pipe	1	
10	10549477	Pipe	1	
11	11605371	Steel Pipe Assy	1	
12	60078357	Rubber Hose	2	
13	23000531	Stud Ends	1	
14	B230103003046	Rubber Hose	1	
15	A820205000858	Fitting	1	
16	11475722	Arm Cylinder	1	4-22
17	12085732	Upper tube clamp	6	
18	60113789	Rubber Hose	2	
19	13220509	Bucket Oil Cylinder	1	4-24

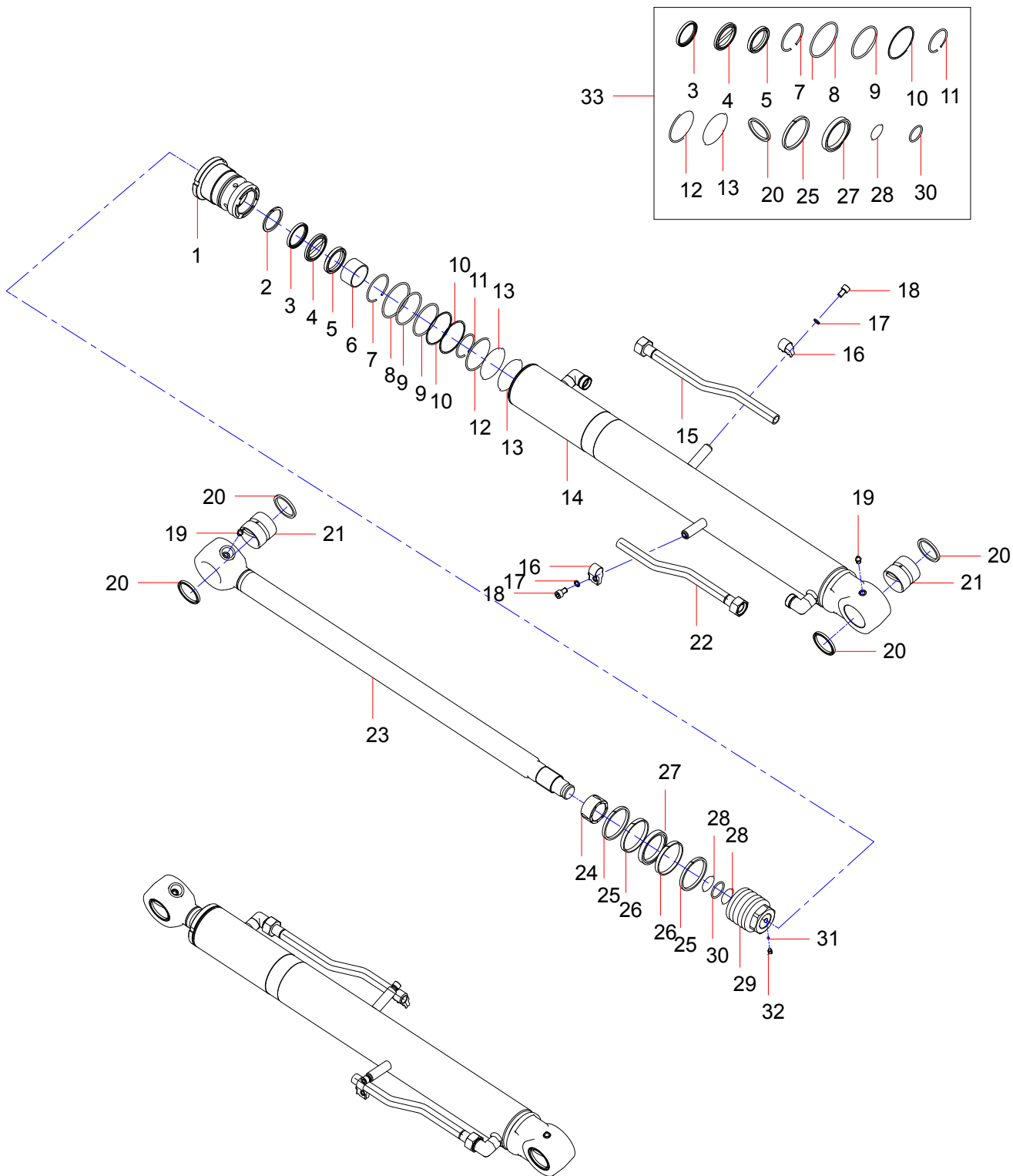




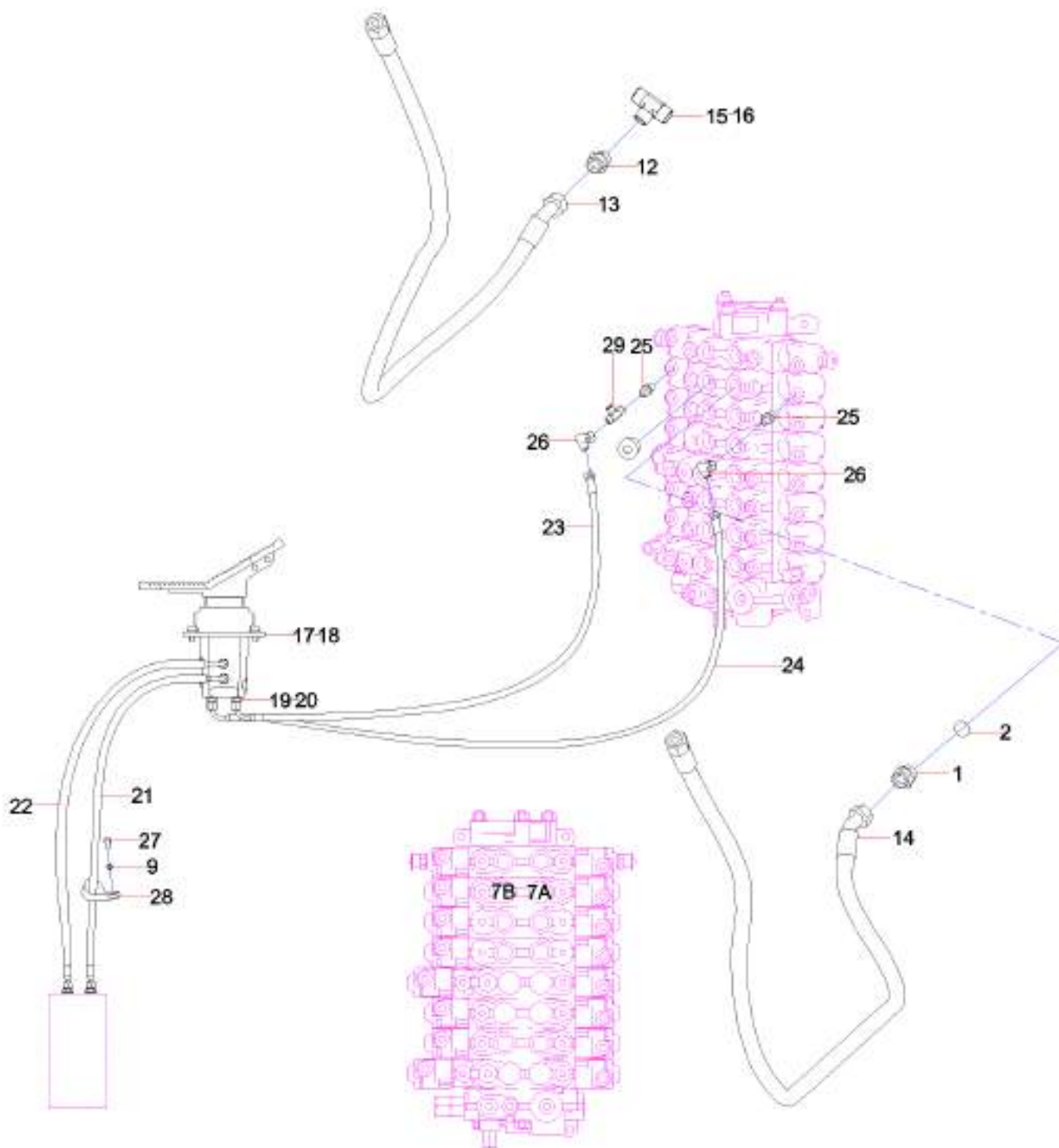
No.	Part No.	Description	Qty	Page number
1	A880808070030	Dust ring	4	
2	13326055	Copper bush	2	
3	A229900010158	Fitting, grease	2	
4	11594954	Cylinder Assem.	1	
5	11472923	Oil Pipe Component	1	
6	A210204000196	Screw	2	
7	13039393	washer	2	
8	11647963	Pipe clamp	2	
9	11472913	Oil Pipe Component	1	
10	13254935	Retaining Ring	2	
11	A210609000003	O-ring	1	
12	A210609000143	O-ring	2	
13	B229900001802	Retainer Ring 8-243 N300-90	2	
14	A210609000007	O-ring	1	
15	A880804040052	Retainer Ring	1	
16	A880809020009	杯士	1	
17	60084610	Seal ring	1	
18	60072118	Seal ring	1	
19	A880806030101	Bearing Ring	1	
20	60136781	Dust ring	1	
21	A210417000006	Retainer Ring 80GB895.1-86	1	
22	11472142	Guide Sleeve	1	
23	11472143	Bumper Sleeve	1	
24	13254956	Retaining Ring	2	
25	A210608000074	O-ring	1	
26	13134554	Piston	1	
27	24001153	Steel Ball	1	
28	A210206000003	Screw	1	
29	60238274	Guide ring	2	
30	60170236	Guide ring	2	
31	60250372	seal ring	1	
32	11473081	piston rod	1	



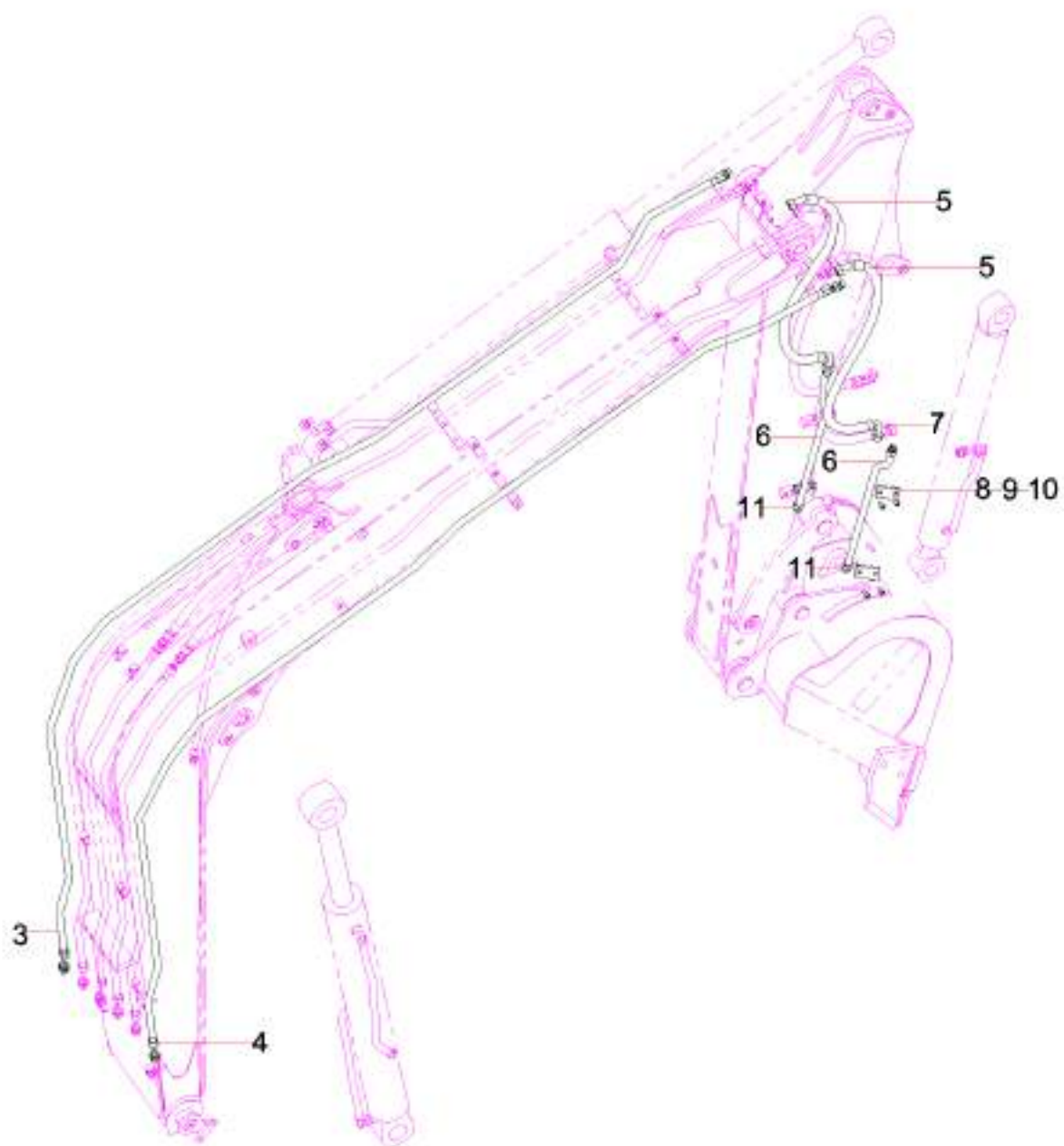
No.	Part No.	Description	Qty	Page number
1	A880808070033	Dust ring	4	
2	11473427	lining sleeve	1	
3	A210804000002	Adaptor, Grease	2	
4	11595044	Cylinder assem.	1	
5	B230101000039	O-ring	1	
6	A210609000166	O-ring	2	
7	B210491000008	Retainer Ring	2	
8	A210417000005	Retainer ring 65GB895.1-86	1	
9	A880809020010	杯士	1	
10	60084608	Seal ring	1	
11	60072117	Seal ring	1	
12	A880806030102	Bearing Ring	1	
13	60136780	Dust ring	1	
14	A210608000093	O-ring	1	
15	A210417000075	Retainer Ring75GB895.1-86	1	
16	11473392	Guide Sleeve	1	
17	A210661000016	Steel Ball	1	
18	A880801010041	Screw	1	
19	11473424	Piston	1	
20	11473380	Bumper Sleeve	1	
21	A230101000496	O-ring	1	
22	A880806030048	GZ-type seal ring	2	
23	A880806030084	Guide Ring	2	
24	60087464	seal ring	1	
25	11623219	Retaining Ring	1	
26	11473426	lock key	1	
27	11473425	buffer sleeve	1	
28	11473393	Retaining Ring	1	
29	11473542	Piston Rod	1	
30	11473357	Oil Pipe Component	1	
31	A210401000001	Washer	1	
32	A210204000202	Screw	1	
33	60180962	Retaining Ring	2	
34	A880804040057	Retaining Ring	2	



No.	Part No.	Description	Qty	Page number
1	13220507	Guide Sleeve	1	
2	B229900006176	Bearing Ring	1	
3	60184741	Seal Ring	1	
4	B230101002165	Seal ring	1	
5	60183934	Dust Ring	1	
6	B230101002163	Oil-bearing bush	1	
7	A880804040052	Retainer Ring	1	
8	A210609000079	O-Ring	1	
9	A210609000077	O-ring	2	
10	B210491000007	Retainer Ring 8-233	2	
11	A210417000107	Retainer Ring	1	
12	A210608000089	O-ring	1	
13	A880804040061	Retaining Ring	2	
14	11595028	Cylinder assem	1	
15	11473971	Oil Pipe Component	1	
16	11647963	Pipe clamp	2	
17	A210401000001	Washer	2	
18	A210204000202	Screw	2	
19	A210804000002	Adaptor, Grease	2	
20	A880808070035	Dust ring	4	
21	11473969	Bush	2	
22	11473973	Oil Pipe Component	1	
23	13220512	Piston Rod	1	
24	11473967	Bumper Sleeve	1	
25	A880806030049	seal ring	2	
26	A880806030085	Guide ring	2	
27	60087463	Seal ring	1	
28	A880804040058	Retainer Ring	2	
29	11473966	piston	1	
30	A210608000068	O-ring	1	
31	A210661000016	Steel Ball	1	
32	24004294	Screw	1	



No.	Part No.	Description	Qty	Page number
1	11473076	Steel Pipe Assy.	2	
2	11605369	Steel Pipe Assy	1	
9	23000066	Screw	2	
12	60099782	Rubber Hose	2	
13	A210204000146	Screw	1	
14	A210204000196	Screw	8	
15	A210405000011	Washer	10	
16	B210780000170	Fitting, Tee, L-shape	3	
17	B210780000176	Fitting, Adapter	4	
18	B210780000184	Stud Ends	1	
19	B210780000418	Fitting, Elbow	3	
20	B210780000907	Fitting, Adapter	1	
21	B210780001310	Fitting, Elbow	2	
22	B220401000848	Pilot-control Valve	1	
23	B230101000047	O-ring	4	
24	B230101000090	O-Ring	4	
25	B230103000817	Hose Assembly	1	
26	B230103004707	Rubber Hose	1	
27	B230103001456	Rubber hose	1	
28	B230103002001	Hose AS	1	
29	B230103004548	Rubber Hose	1	



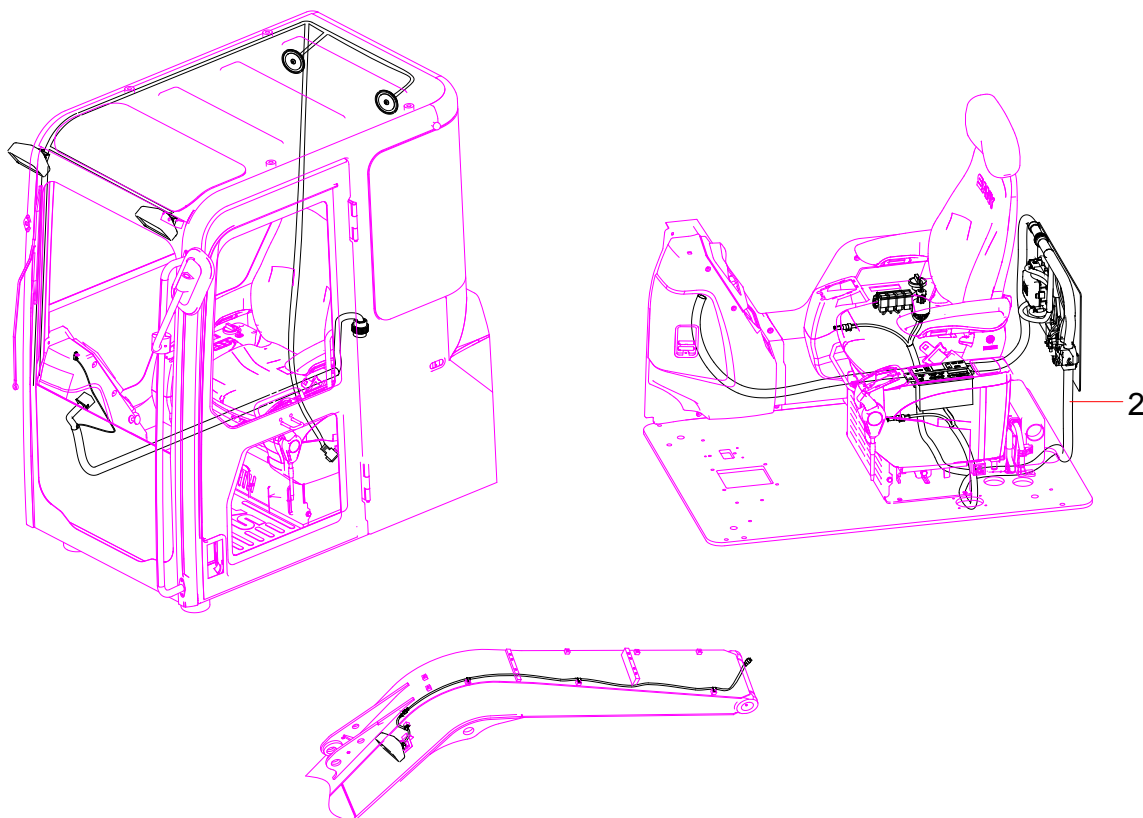
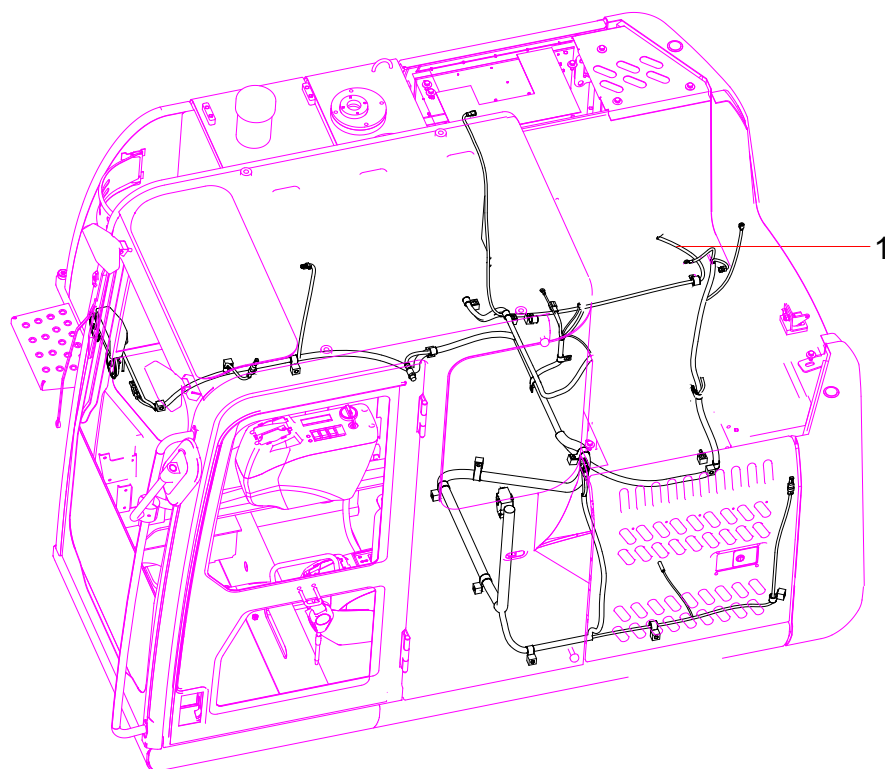


No.	Part No.	Description	Qty	Page number
3	11605371	Steel Pipe Assy	1	
4	12653032	Pipe Clamp	4	
5	21002815	Fitting	4	
6	21002824	Pipe connector	4	
7	21023883	Plug	2	
8	21051021	Fitting, tee, L-shape	1	
9	23000066	Screw	2	
10	60028445	Pipe	1	
11	60086357	Clamp	2	

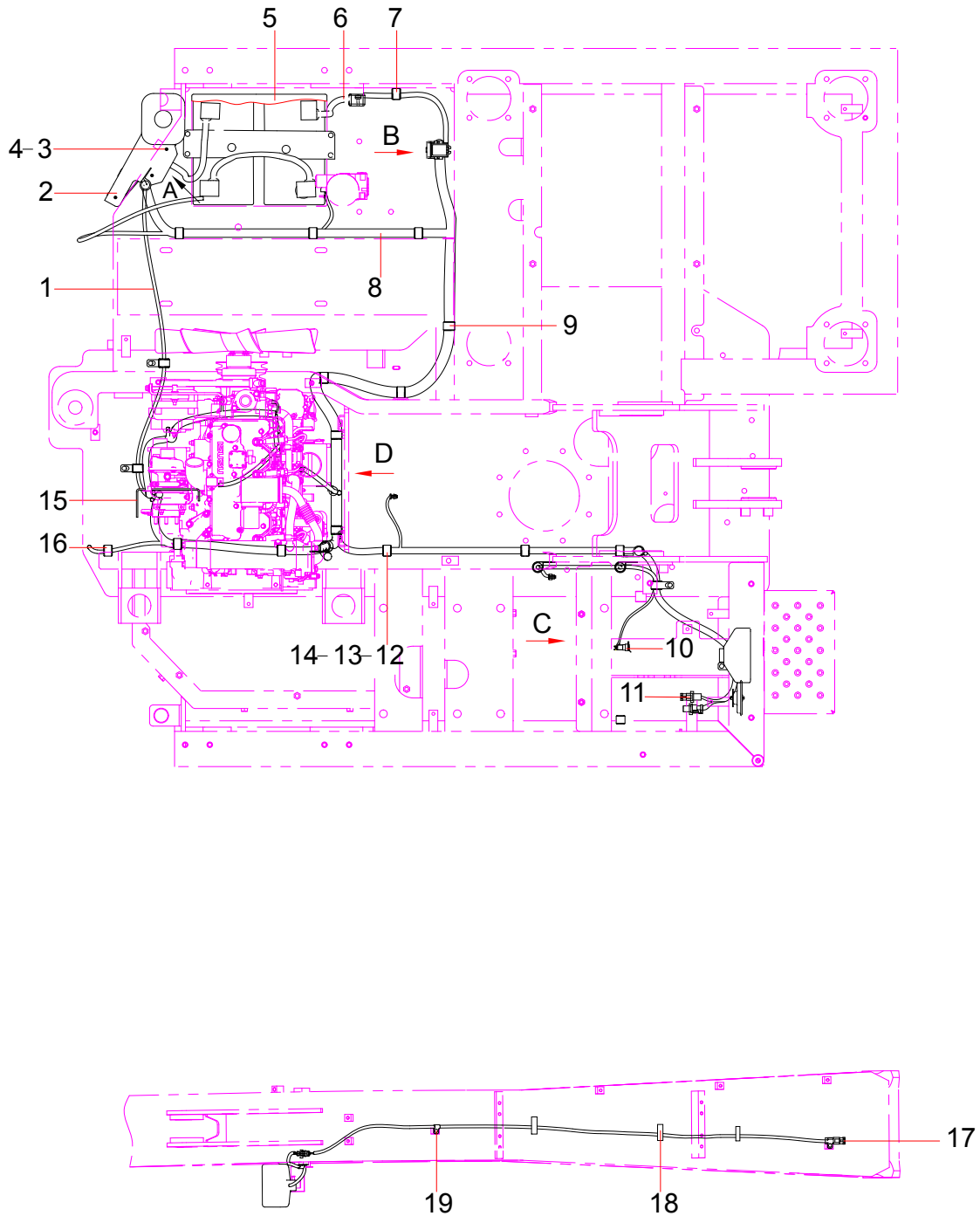
BLANK PAGE

# Group 5

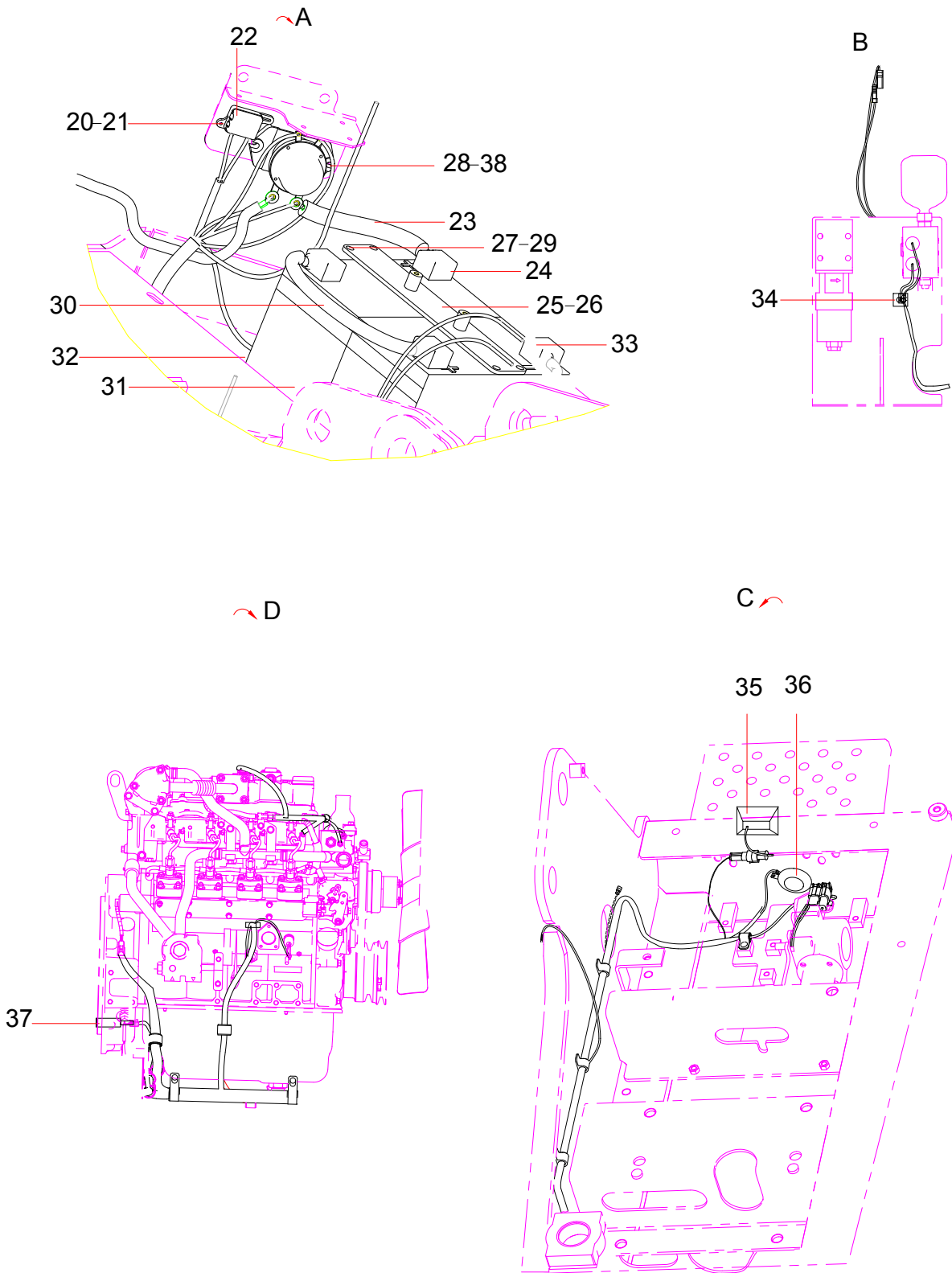
## Electric system



No.	Part No.	Description	Qty	Page number
1	13434509	Vehicle electrical assembly	1	5-4
2	13434483	Cab electrical assembly	1	5-8

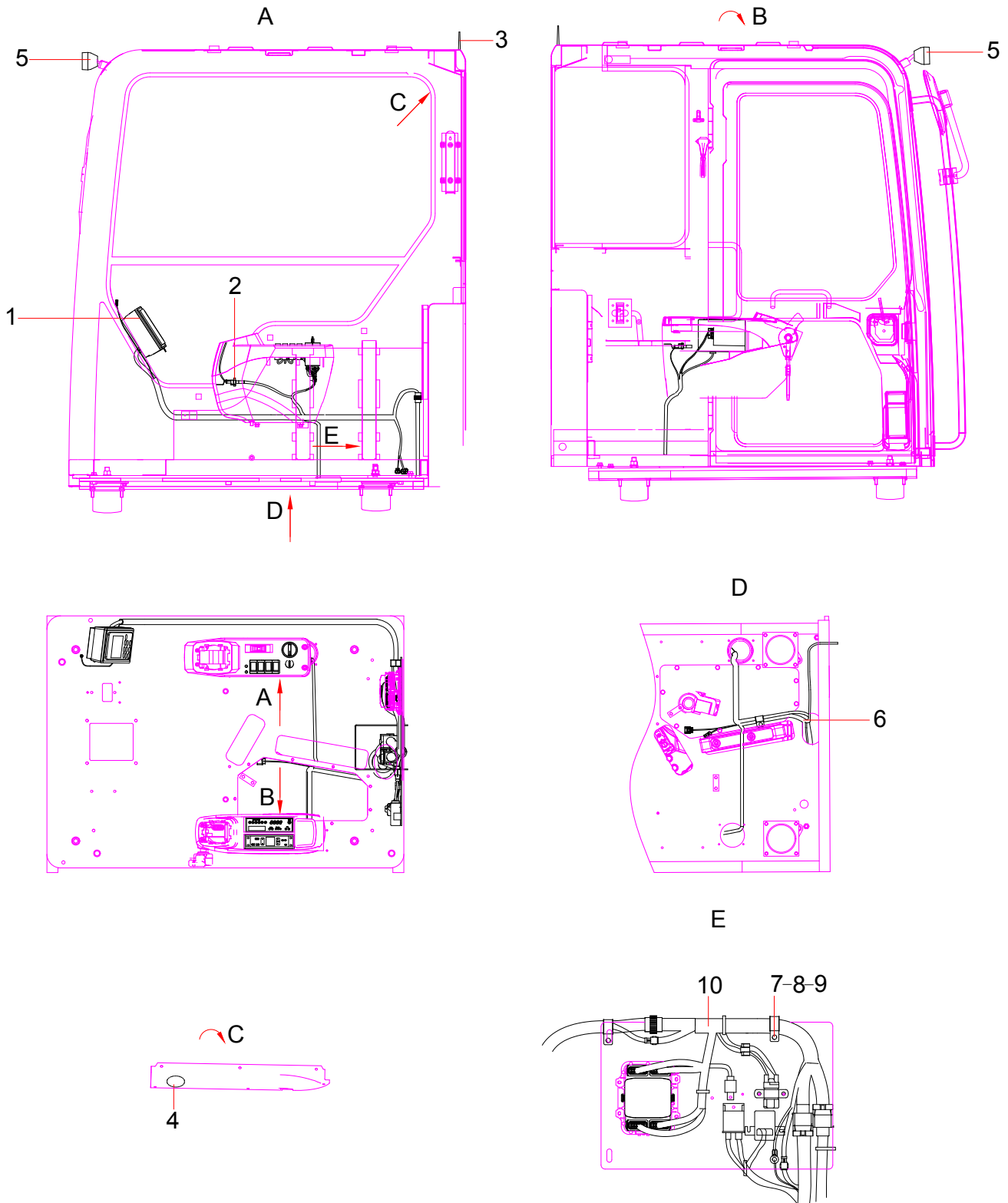


No.	Part No.	Description	Qty	Page number
1	60153608	Power Supply Line	1	
2	60160302	Relay Protective cover	1	
3	A210111000079	Bolt	4	
4	24000632	Washer	4	
5	11685533	Battery Cover	1	
6	12537763	power line	1	
7	60086354	Clamp	5	
8	14413102	body harness	1	
9	60086356	Clamp	3	
10	B241000000022	Receptacle,Power	1	
11	60197034	Cluster Fixed Lace	4	
12	A210111000012	Bolt	29	
13	60060546	Washer	29	
14	60086355	Fixity of Line	2	
15	12890639	harness support	1	
16	60086353	Wire Clamp	1	
17	60041902	90 Degree Metal Mounting Bracket	2	
18	A239900000053	Nylon Belting	5	
19	60083322	Clamp	2	



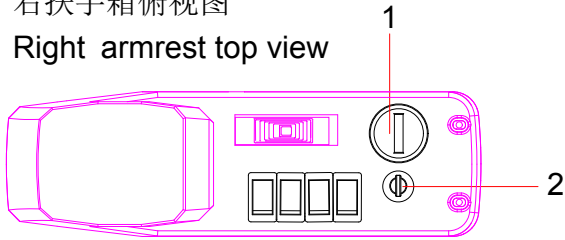


No.	Part No.	Description	Qty	Page number
20	60060562	Washer	2	
21	A210210000030	Screw	2	
22	A241300000059	Fuse Housing	1	
23	13425816	power line	1	
24	60013322	Terminal Assembly,Battery,Positive	2	
25	A820606030643	Rubber Pad, Battery	2	
26	11587179	Plate Pressure Pattery	1	
27	A820301015908	Double-threaded Stud	4	
28	24000633	Washer	5	
29	A210307000036	Nut	8	
30	60012792	Power Supply Harness	1	
31	B242200000026	Storage Battery	2	
32	10839083	Battery Rubber Pad	2	
33	60013321	Terminal Assembly,Battery,Negative	2	
34	13043492	harness support	1	
35	60232826	Lamp,Working	2	
36	60241902	Horn	1	
37	11707090	The speed sensor's bracket of ISUZU	1	
38	A210111000343	Bolt	4	

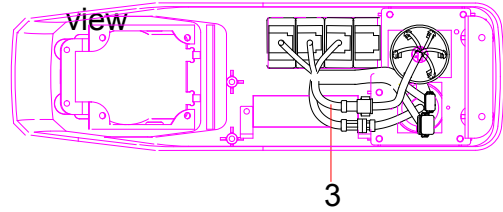


No.	Part No.	Description	Qty	Page number
1	14313111	Sany Encourage Control Display	1	
2	A239900000053	Nylon Belting	3	
3	60023704	Antenna	1	
4	60358261	Speaker	1	
5	60232826	Lamp,Working	2	
6	14413103	A/C harness	1	
7	A210307000036	Nut	4	
8	60060546	Washer	8	
9	60086357	Clamp	2	
10	13434455	Electrical assembly	1	5-10

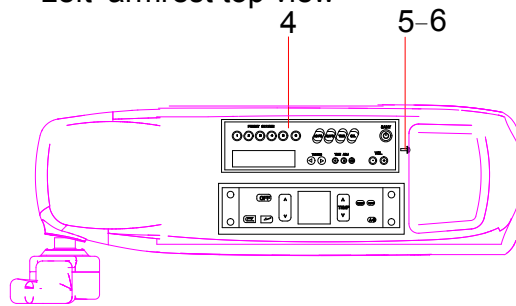
右扶手箱俯视图  
Right armrest top view



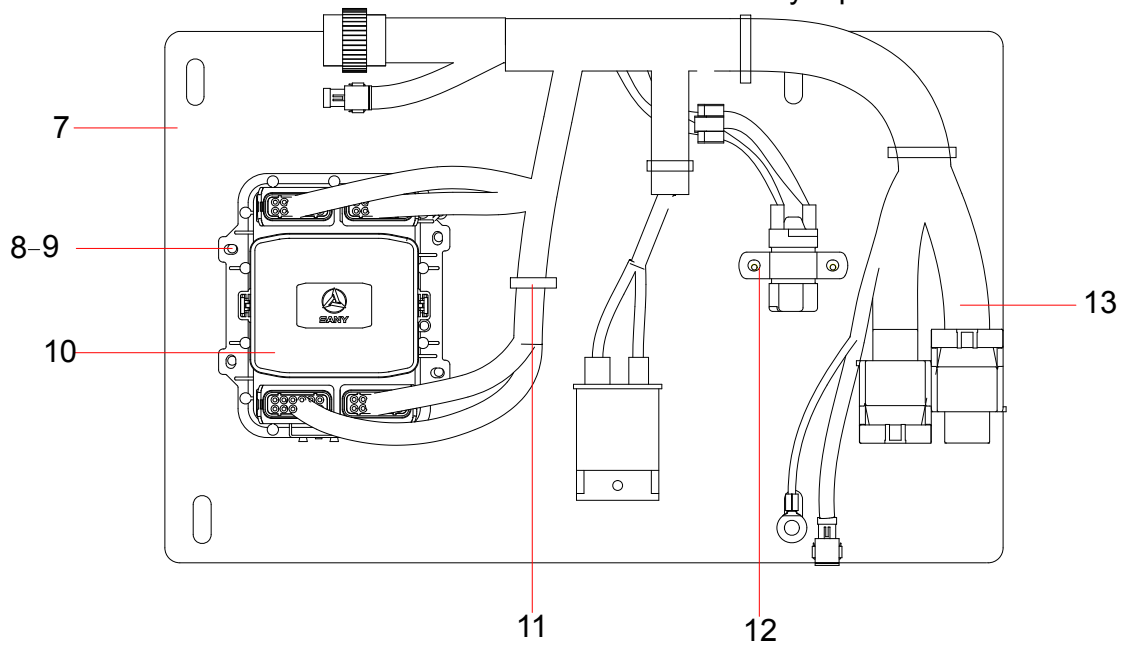
右扶手箱仰视图  
Right armrest vertical view



左扶手箱俯视图  
Left armrest top view



电气安装板  
Electrical assembly top view

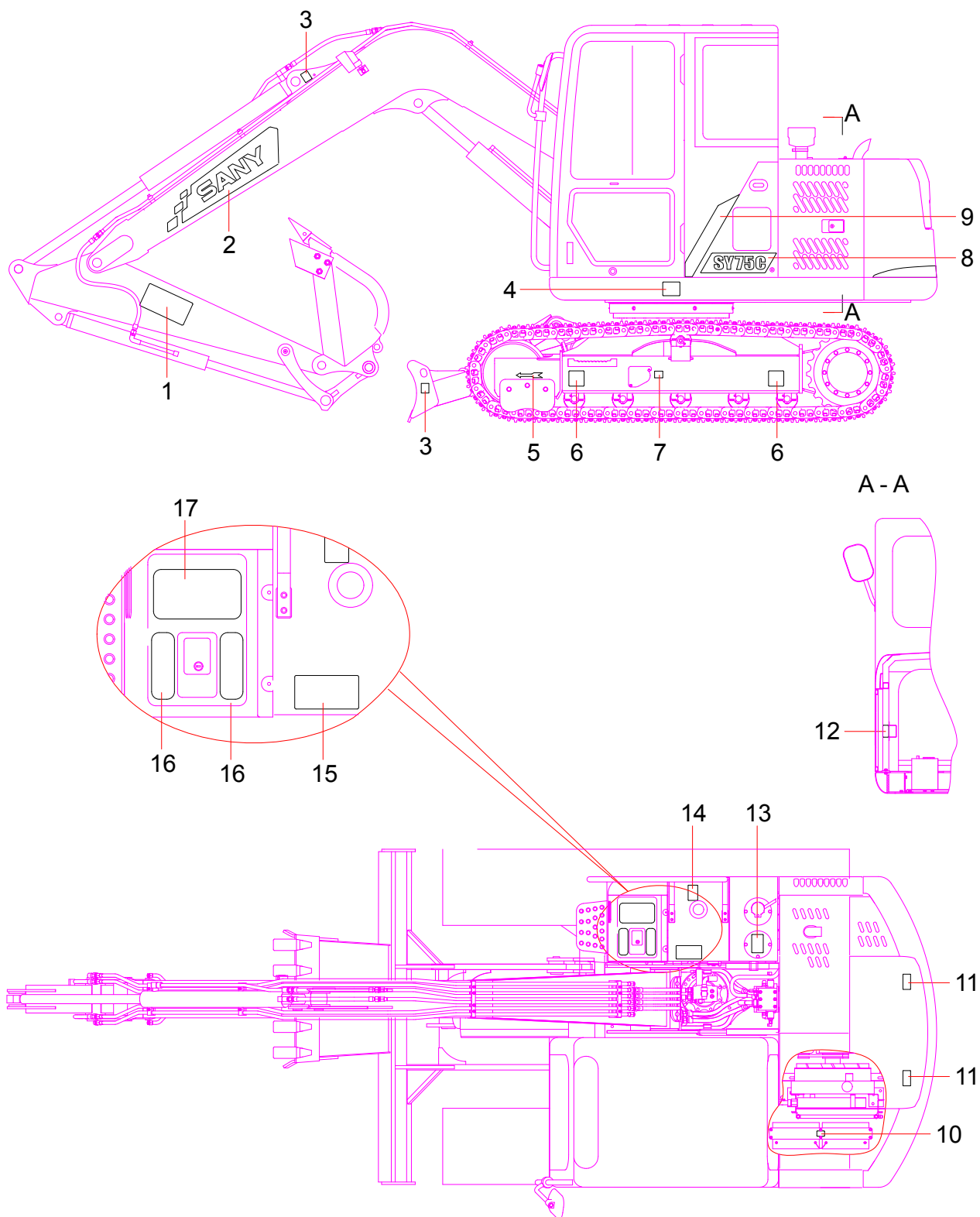


No.	Part No.	Description	Qty	Page number
1	60211508	Knob Switch	1	
2	A241200001217	Key Switch	1	
3	11732666	Control Switch Harness	1	
4	60205002	Radio	1	
5	A210210000002	Screw	2	
6	24000630	Washer	9	
7	13430275	installation plate for electrical equipment	1	
8	24002251	Screw	5	
9	24000632	Washer	5	
10	12318633	Integrated box	1	
11	60202078	Cluster Fixed Lace	2	
12	A2102100000030	Screw	5	
13	14413098	CAB HARNESS	1	

BLANK PAGE

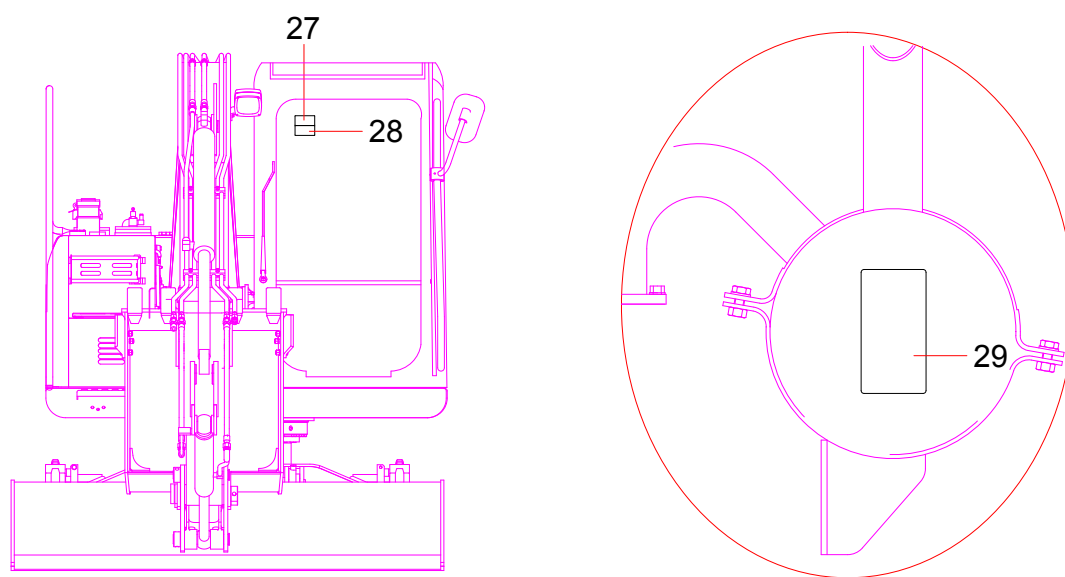
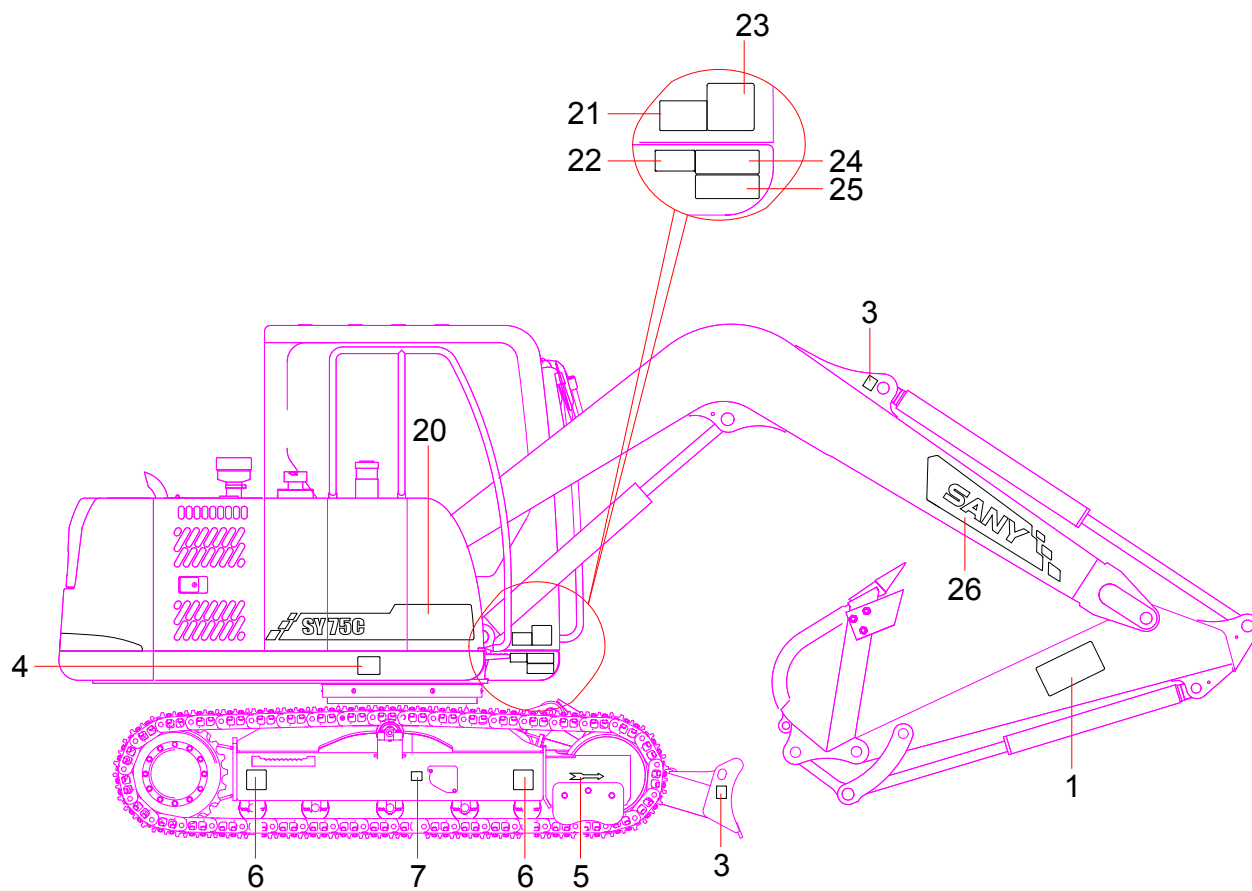
# Group 6

## Excavator coating

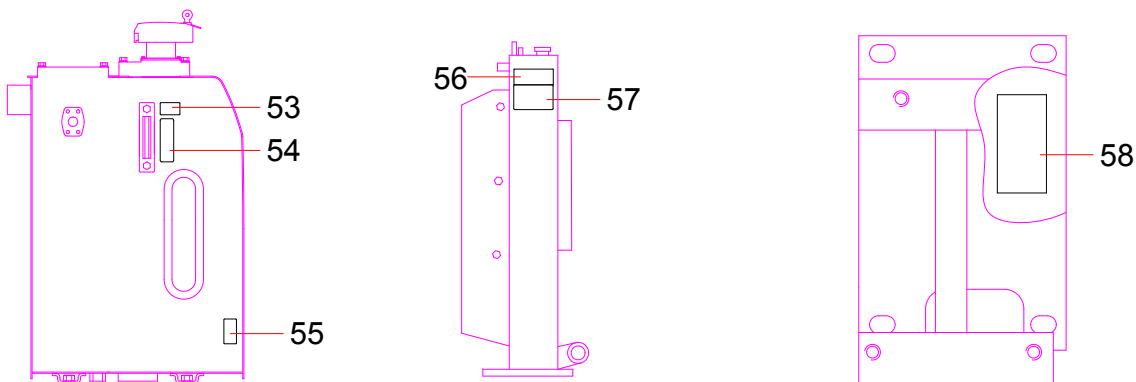
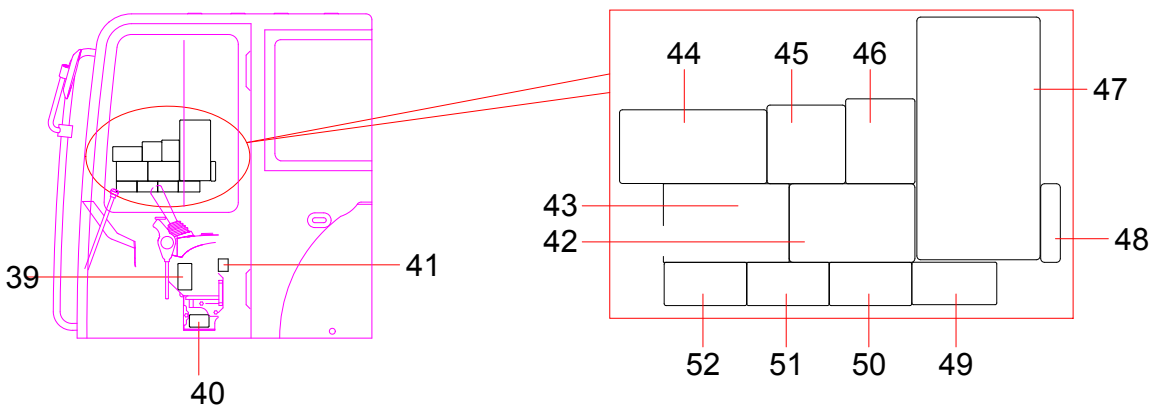
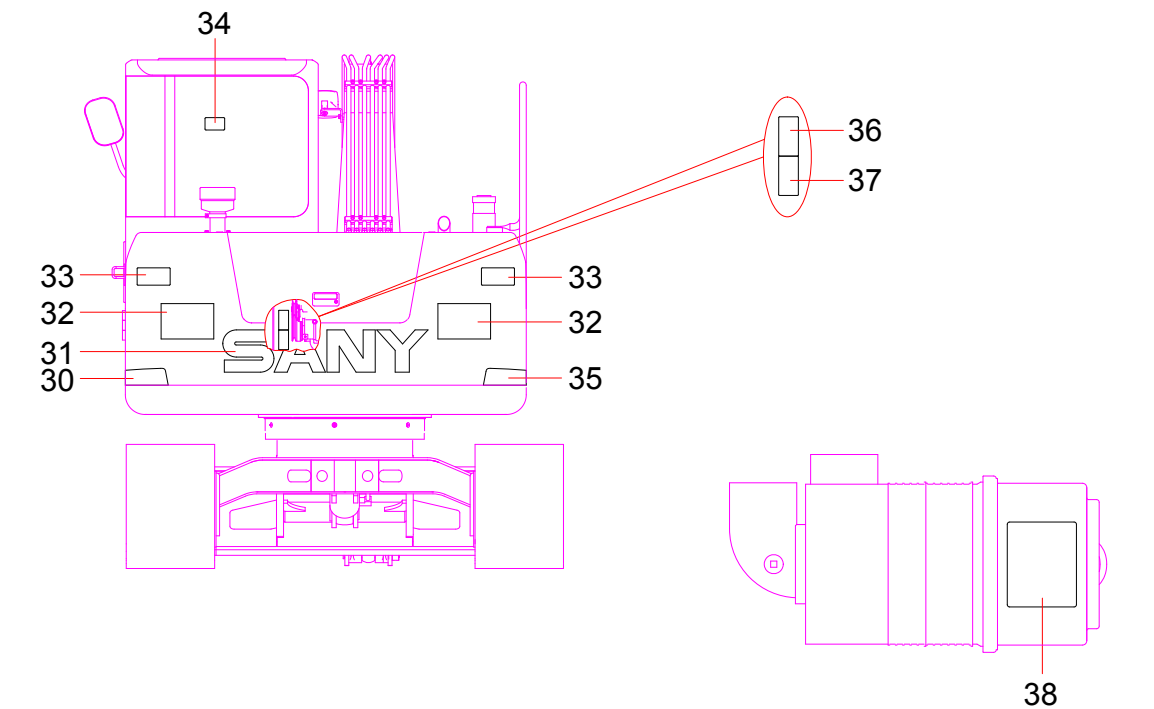




No.	Part No.	Description	Qty	Page number
1	10124614	Caution plate of bucket rod	2	
2	13793111	beam left decal	1	
3	12052087	Mark Diagram of Hook Point	4	
4	12052090	Center-of-gravity mark	2	
5	A820603000246	Forward direction indication	2	
6	12052085	Fixed loading spot mark	4	
7	A820601990968	Decal, warning, tensioner	2	
8	13794052	left marking	1	
9	13794054	left marking	1	
10	A820601990972	Decal, power supply	1	
11	12016795	Caution board of "No Standing"	2	
12	A820699001109	Decal, power socket	1	
13	14232291	coating	1	
14	A820601991047	Logo plate of fuel tank	1	
15	A820601990926	Decal, warning, fall	1	
16	11133578	Antiskid paste	2	
17	11133595	Antiskid paste	1	



<b>No.</b>	<b>Part No.</b>	<b>Description</b>	<b>Qty</b>	<b>Page number</b>
1	10124614	Caution plate of bucket rod	2	
3	12052087	Mark Diagram of Hook Point	4	
4	12052090	Center-of-gravity mark	2	
5	A820603000246	Forward direction indication	2	
6	12052085	Fixed loading spot mark	4	
7	A820601990968	Decal, warning, tensioner	2	
20	13810353	right decal	1	
21	12891717	Lifting Marking	1	
22	12540826	Add grease to swing bearing	1	
23	10385320	Noise marker	1	
24	13722409	Nameplate	1	
25	14177416	Nameplate	1	
26	13793108	beam right decal	1	
27	12052088	Front window lock caution board	1	
28	12080939	Windscreen wiper caution board	1	
29	12052083	Warning nameplate for hand burning	1	

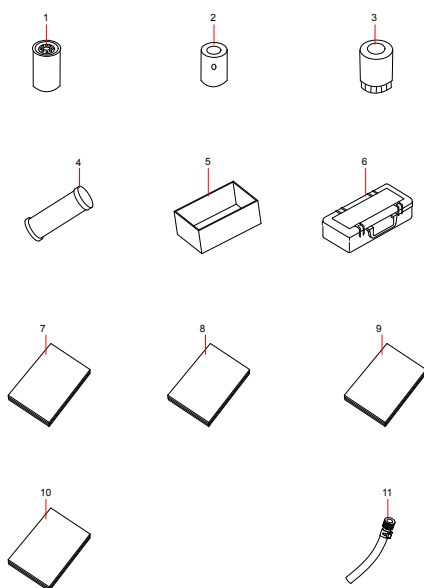


No.	Part No.	Description	Qty	Page number
30	12880533	counterweight left reflective coating	1	
31	12880603	counterweight marking	1	
32	60033800	Counterweight Marking of SY75C	2	
33	A820601991049	Counterweight warning board	2	
34	12052089	Security exit nameplate	1	
35	12880559	counterweight right reflective coating	1	
36	12052082	Fan tough caution board	1	
37	12496544	Caution board of belt security	1	
38	11571532	Caution board for air cleaner	1	
39	12076696	Caution board of "No handhold"	1	
40	A820601990967	Decal, instruction, seat adjustment	1	
41	A820601990927	Decal, unlock	1	
42	A820601990961	Decal, instruction, operation	1	
43	A820699001024	Warning sign	1	
44	12972179	Loading Warning Lable	1	
45	12157387	Sign of Forbidding Tilting Machine When Working	1	
46	11809799	Suffering Power Of Single Side Forbidden	1	
47	14219533	lubricating nameplate	1	
48	A820601000014	Control indicating board of bulldozing shovel	1	
49	12052084	Seat safety caution board	1	
50	12496541	Key Power-down Caution Panel	1	
51	12496542	Warning board for high pressure avoidance	1	
52	12496543	Refer to the caution plate of user's guide	1	
53	13711158	Decal, oil level	1	
54	A820601990928	Oil level label	1	
55	12648410	fuel cleaner decal	1	
56	12496540	Antispray caution plate	1	
57	11992504	Scheduled cleaning radiator nameplate	1	
58	A820699001284	Decal, instruction, refrigerant change	1	

BLANK PAGE

# Group 7

## Attached accessories





No.	Part No.	Description	Qty	Page number
1	60151839	Diesel cleaner filter core	1	
2	60220063	Diesel Fine Filter Core	1	
3	60197083	Oil Filter	1	
4	B222100000593	Main cartridge of air cleaner	1	
5	60041997	Accessories Box	1	
6	14042474	Accompanying tools	1	
7	11826337	SANY excavator maintenance and guarantee(English)	1	
8	13627953	SY75C9I3H spare parts drawing volume	1	
9	14453625	Operation and Maintenance Manual	1	
10	14203760	Engine Drawing Volume for SY75C9I3H	1	
11	60016775	OIL DRAINER ASM	1	

BLANK PAGE

# Appendix A      Alphabetical Index

0-Ring 60069452 .....	3-19
90 Degree Metal Mounting Bracket 60041902 .....	5-5
杯士 A880809020008 .....	3-25
杯士 A880809020009 .....	4-21
杯士 A880809020010 .....	4-23
A/C harness 14413103 .....	5-9
A229900003883 A229900003883 .....	2-47
accelerograph motor 60099069 .....	2-141
Accessories Box 60041997 .....	7-3
Accompanying tools 14042474 .....	7-3
Accumulator O-ring 60114281 .....	2-21
Accumulator 60114277 .....	2-21
Adapter, relay A820205000944 .....	2-19
Adaptor, Grease A210804000002 .....	3-5, 4-7, 4-23, 4-25
Add grease to swing bearing 12540826 .....	6-5
Adjusting spacer 11039429 .....	2-83
adjusting spacer 11039439 .....	2-83
Adjusting spacer 11234421 .....	2-81
adjusting spacer 11664456 .....	2-71
adjusting spacer 11664457 .....	2-71, 2-83
Adjusting threaded rod 60082155 .....	2-101
Air cleaner sensor 60148482 .....	2-133
Air Cleaner B222100000599 .....	2-133
Air Condition 61017350 .....	2-73
air conditioning system 13065450 .....	2-3
Air door 60088077 .....	2-77
Air door 60088078 .....	2-77
Air door 60088079 .....	2-77
Air intake fitting 60076074 .....	2-59
air intake rubber hose 13032010 .....	2-137
air intake tube 13227581 .....	2-133
Air outlet of air-conditioner 60166739 .....	2-59
air passage cover 13739252 .....	2-55
Anchor Ear 13116520 .....	2-149
ANGULAR BEARING 60308174 .....	3-21
Antenna 60023704 .....	2-47, 5-9
Anti-pollution loop A880806030050 .....	3-25
Antiskid paste 11133578 .....	6-3
Antiskid paste 11133595 .....	6-3
Antispray caution plate 12496540 .....	6-7
Arm Cylinder 11475722 .....	4-19
Arm Section 60310753 .....	2-107
Armrest box body 60171198 .....	2-67, 2-69
Armrest component 11479085 .....	2-85
Armrest LH. 60153807 .....	2-65
Armrest 60153794 .....	2-65
ArmspoolAssy 60166767 .....	2-117
Ashtray 60052626 .....	2-57
Assembly of Rearhood 11297512 .....	2-81
Attached accessories 13073453 .....	1-3
Aux Section 60086266 .....	2-107
Auxiliary cartridge of air cleaner B222100000591 .....	2-135
Axial pin with hole A820301021346 .....	4-7
Axial pin with hole A820301021347 .....	4-7
Axial pin with hole A820301021349 .....	4-7
B1 gear 60275195 .....	2-129
B2 gear 60275196 .....	2-129
Back sponge A820699000215 .....	2-71
Back Up Ring 150288000320A .....	3-19
BACK UP RING 60265972 .....	3-17
BACK UP RING 60308170 .....	3-19
Backrest cushion local Fabric gray 60153633 .....	2-65

Backrest extension local fabric gray 60153648 .....	2-65
Backup sleeve of pedal 12009258 .....	2-61
Backup sleeve of pedal 12010268 .....	2-61
Ball Bearing 60098959 .....	3-17
Ball Guide 60098984 .....	3-19
Ball, steel 60237077 .....	2-35
Barrel holder 60275221 .....	2-127
Base cover 11044677 .....	2-63
base plate 12062586 .....	2-71
Battery Cover 11685533 .....	5-5
Battery Rubber Pad 10839083 .....	5-7
Bayonet catch of top shed 60052639 .....	2-43
beam left decal 13793111 .....	6-3
beam right decal 13793108 .....	6-5
Bearing Ring A880806030100 .....	3-25
Bearing Ring A880806030101 .....	4-21
Bearing Ring A880806030102 .....	4-23
Bearing Ring B229900006176 .....	4-25
Bearing washer 60038677 .....	2-99
Bearing 60275209 .....	2-129
Bearing 60275210 .....	2-129
Bearing 60275231 .....	2-127
Bearing 60275232 .....	2-127
Bellow 60153644 .....	2-65
Bellows 60192531 .....	2-27
bending pipe 13041324 .....	2-137
Block 11571909 .....	2-61
Blower 60088088 .....	2-77
Board 60082175 .....	2-101
Board A820101357603 .....	2-97
body harness 14413102 .....	5-5
Body, shell 60088103 .....	2-77
Body, shell 60088104 .....	2-77
Body, shell 60088107 .....	2-77
Body 60275190 .....	2-129
Body 60275214 .....	2-127
Body 60290358 .....	2-31
Bolt A210111000092 .....	2-73, 2-133
Bolt A210111000202 .....	2-79, 2-85, 2-149, 4-3
Bolt A210111000205 .....	2-87, 4-3, 4-5
Bolt A311141609016 .....	3-3
Bolt M30×170GB5782 Grade 10.9 A210110000435 .....	2-83
Bolt M8×100(GB5782) Grade 10.9 A229900001700 .....	2-141
Bolt, socket head 60008786 .....	2-27
Bolt, socket head 60038565 .....	2-99
Bolt, socket head 60237078 .....	2-33
Bolt, socket head A210204000334 .....	2-11, 2-61, 2-73, 2-141, 2-149
Bolt, socket head A210204000340 .....	2-11
Bolt 21005237 .....	3-3, 3-7
Bolt 21005240 .....	3-7
Bolt 21005243 .....	4-3
Bolt 23002093 .....	4-7
BOLT 60038526 .....	3-21
Bolt 60038563 .....	2-35
Bolt 60225886 .....	2-11, 2-141
Bolt A210110000450 .....	2-83
Bolt A210111000012 .....	2-17, 2-61, 2-81, 2-87, 2-137, 2-141, 2-145, 3-5, 3-7, 5-5
Bolt A210111000024 .....	2-71, 2-79, 2-97, 2-141, 2-147
Bolt A210111000053 .....	3-5, 4-3
Bolt A210111000079 .....	2-11, 2-53, 5-5
Bolt A210111000081 .....	2-73, 2-143
Bolt A210111000082 .....	2-73
Bolt A210111000083 .....	2-73
Bolt A210111000090 .....	2-73, 2-145
Bolt A210111000097 .....	2-73, 2-141
Bolt A210111000101 .....	2-137

Bolt A210111000106 .....	3-7
Bolt A210111000120 .....	4-19
Bolt A210111000195 .....	2-39, 2-63, 2-71
Bolt A210111000197 .....	2-79, 2-137, 2-149, 2-151
Bolt A210111000199 .....	2-83, 3-3
Bolt A210111000203 .....	2-79
Bolt A210111000208 .....	3-7
Bolt A210111000210 .....	2-147
Bolt A210111000212 .....	3-5
Bolt A210111000263 .....	4-3
Bolt A210111000301 .....	4-17
Bolt A210111000323 .....	2-133, 2-149
Bolt A210111000342 .....	2-5, 2-17, 2-61, 2-63, 2-73, 2-137, 3-3
Bolt A210111000343 .....	2-63, 2-141, 2-149, 5-7
Bolt A210111000347 .....	2-87
Bolt A210138000000 .....	2-59
Bolt A210204000357 .....	2-97, 2-141, 2-147
Boom Section 60086264 .....	2-107
bottom board rack of cab 12168555 .....	2-39
Bottom board sponge of cab 13842101 .....	2-71
Bottom board sponge of cab 13842102 .....	2-71
bottom cap 11166671 .....	2-145
bottom sealing board ASSY 13429925 .....	2-3
Brace piece axial pin 10845524 .....	4-3
Brace piece axial pin 12331899 .....	4-3
Brace piece axial pin 12332283 .....	4-3
Bracker, dryer clamp A229900008784 .....	2-75
bracket assem. 13139925 .....	2-79
bracket of leading valve 14087638 .....	2-5
bracket of reveiver drier to radiator 11084177 .....	2-73
Bracket, lamp A820101322531 .....	4-3
bracket 11423740 .....	2-73
bracket 13623912 .....	2-137
bracket 13626547 .....	2-137
Bracket A820101216763 .....	2-79
Brake piston 60275229 .....	2-127
breaker pipeline SSY004676239 .....	4-9
Breather Valve 60237031 .....	2-93
Bucket Arm 12001886 .....	4-13
Bucket Arm 14148553 .....	4-5
Bucket Assembly 10468495 .....	4-7
Bucket Oil Cylinder 13220509 .....	4-19
Bucket Section 60086263 .....	2-107
Bucket Tooth 12076809 .....	4-17
Bucket Tooth Pin 12076815 .....	4-17
bucket 10468494 .....	4-17
buffer sleeve 11473425 .....	4-23
Bulldozing shovel 14486543 .....	3-5
Bulldozing shovel oil cylinder 11281501 .....	3-13
Bumper Sleeve 11472143 .....	4-21
Bumper Sleeve 11473380 .....	4-23
Bumper Sleeve 11473967 .....	4-25
Bush 11281381 .....	3-25
Bush 11473969 .....	4-25
Bush 60008806 .....	2-27
Bush A820202004034 .....	3-5, 4-3
Bush A820202004035 .....	4-3, 4-5
Butter Nozzle 60017380 .....	4-3
butter pool seal ring 12087542 .....	3-3
By-pass valve 60275240 .....	2-127
Cab electrical assembly 13434483 .....	5-3
CAB HARNESS 14413098 .....	5-11
cab Silicon oil shock absorber 60002703 .....	2-71
Cab 11992301 .....	2-3
Cab 60128283 .....	2-39
Cap Assy 60067853 .....	2-109
Cap 150688000206A .....	2-111, 2-113, 2-115, 2-117, 2-119, 2-121

Cap 150688000207A .....	2-123
Cap 60290377 .....	2-31
Carriage Lamp cEMC0502.8 20 A229900003178 .....	2-59
Carrier 60308175 .....	3-21
CarrierI 60275191 .....	2-129
CarrierII 60275192 .....	2-129
carry roller 11899729 .....	3-7
CASE ASSEMBLY 60078239 .....	2-135
Casing 60235882 .....	2-27
casing 60237071 .....	2-37
Caution board for air cleaner 11571532 .....	6-7
Caution board of "No handhold" 12076696 .....	6-7
Caution board of "No Standing" 12016795 .....	6-3
Caution board of belt security 12496544 .....	6-7
Caution plate of bucket rod 10124614 .....	6-3, 6-5
Center Swivel Joint Repairing bag 60037855 .....	3-23
Center-of-gravity mark 12052090 .....	6-3, 6-5
central rear sealing board 13645972 .....	2-151
channel gask 60281041 .....	3-27
Check seat 60038201 .....	3-17
Check Valve Assembly 60067820 .....	2-109
Check valve 60275235 .....	2-127
Check 60038060 .....	3-17
Cigarette Lighter 60052636 .....	2-57
Clamp, Hose A229900001347 .....	2-149
Clamp, pipe, rubber A820202005473 .....	2-97
Clamp, pipe 10209832 .....	2-97
Clamp, T-bolt A229900003759 .....	2-133
Clamp, T-Type 21004569 .....	2-133
Clamp 60083322 .....	2-137, 5-5
Clamp 60086354 .....	2-73, 5-5
Clamp 60086356 .....	5-5
Clamp 60086357 .....	2-11, 4-29, 5-9
Clamp 60149606 .....	2-73, 2-137, 2-141
Clamp 60240503 .....	2-137
Clamp A229900001345 .....	2-137, 2-141
Clamp A229900002031 .....	2-137
clapboard assy 13794933 .....	2-79
Clip, air cleaner 10083933 .....	2-133
Clip, hose A820601040450 .....	2-97
Clip B229900005996 .....	2-99
Cluster Fixed Lace 60197034 .....	5-5
Cluster Fixed Lace 60202078 .....	5-11
coating 14232291 .....	6-3
Collar 60098994 .....	3-21
COLLAR 60308177 .....	3-21
Column ball bearing 60038136 .....	2-99
Combination Running Frame 10608104 .....	3-3
Compressor B220203000007 .....	2-75
Condenser to reservoir hose assembly 60030341 .....	2-75
Condenser A220700000028 .....	2-75
Conical plug 60037997 .....	3-23
Connecting Rod 14148558 .....	4-7
Connecting Rod A810312100032 .....	4-15
connecting rubber hose 13046819 .....	2-137
Connector, Pipe B210780000043 .....	2-9
Connector, pipe B210780000827 .....	2-7
Connector, pipe B210780000847 .....	2-11
Connector A820205002378 .....	2-95
Connector A820205002464 .....	2-93
Connector A820205002468 .....	2-91
Connector A820205002626 .....	2-91
Control indicating board of bulldozing shovel A820601000014 .....	6-7
Control Switch Harness 11732666 .....	5-11
Coolant temperature sensor 60033039 .....	2-75
cooling system 13063334 .....	2-131
Copper bush 13326055 .....	4-21

Copper sleeve 60290368 .....	2-31
Core assy for heat 60088086 .....	2-77
Corrugated Tube 11082048 .....	2-11
Counterweight Assembly 13431952 .....	2-3
counterweight left reflective coating 12880533 .....	6-7
Counterweight Marking of SY75C 60033800 .....	6-7
counterweight marking 12880603 .....	6-7
counterweight right reflective coating 12880559 .....	6-7
counterweight sponge 14008340 .....	2-83
counterweight sponge 14008341 .....	2-83
counterweight sponge 14008342 .....	2-83
Counterweight warning board A820601991049 .....	6-7
Coupling 60339145 .....	2-147
Cover A820101117871 .....	2-87
COVER ASSEMBLY 60078237 .....	2-135
Cover of watering opening 60077849 .....	2-139
Cover Plate 10600405 .....	3-3
Cover Plate A820101343428 .....	3-3
Cover Plate A820101352521 .....	3-7
Cover, Lock, Fuel Tank A290000002193 .....	2-145
Cover, rubber 60237083 .....	2-33
Cover 10542624 .....	3-3
Cover 60008754 .....	2-35
Cover 60153653 .....	2-65
Cover 60153664 .....	2-65
Cramp 11961759 .....	2-81
Crawler guard board 12257014 .....	3-7
Cushion A820101117029 .....	2-71
Cylinder Assem. 11594954 .....	4-21
Cylinder assem. 11595044 .....	4-23
Cylinder Assem. 12831132 .....	3-25
Cylinder assem 11595028 .....	4-25
Cylinder assembly 60084845 .....	2-101
Cylinder barrel 60275217 .....	2-127
CYLINDER BLOCK 60308166 .....	3-19
cylinder body 60082158 .....	2-101
cylinder body 60281036 .....	3-27
Cylinder Drum Component 11270571 .....	3-25
Cylinder spring 60038383 .....	2-101
Damping pad 60212661 .....	2-147
Dearing 60098961 .....	3-19
Decal, instruction, operation A820601990961 .....	6-7
Decal, instruction, refrigerant change A820699001284 .....	6-7
Decal, instruction, seat adjustment A820601990967 .....	6-7
Decal, oil level 13711158 .....	6-7
Decal, power socket A820699001109 .....	6-3
Decal, power supply A820601990972 .....	6-3
Decal, unlock A820601990927 .....	6-7
Decal, warning, fall A820601990926 .....	6-3
Decal, warning, tensioner A820601990968 .....	6-3, 6-5
Diesel cleaner filter core 60151839 .....	7-3
Diesel Fine Filter Core 60220063 .....	7-3
Diesel Fuel Cleaner 60064763 .....	2-143
Disk plate 60275227 .....	2-127
distance piece sponge 13797229 .....	2-79
Distributing Oil Disc 60082165 .....	2-101
Door Anti-Locking Assy. 60052633 .....	2-59
Door assembly 60166731 .....	2-51
Door lock A222200000093 .....	2-53
Double-threaded Stud A820301015908 .....	5-7
Dozer Section 61022640 .....	2-107
Drain Regulator Assembly 60310755 .....	2-109
Drainage tube 10949800 .....	2-141
DRIVE GEAR 60308180 .....	3-21
Driving wheel A229900005516 .....	3-7
Dryer reservoir B229900005141 .....	2-75
Dust Cover 60290375 .....	2-31



Dust ring 60136780 .....	4-23
Dust ring 60136781 .....	4-21
Dust ring 60136782 .....	3-25
Dust Ring 60183934 .....	4-25
Dust ring 60215141 .....	3-25
Dust ring A880808070030 .....	4-21
Dust ring A880808070033 .....	4-23
Dust ring A880808070035 .....	4-25
Dust Ring B230101001118 .....	4-3
Dust Ring B230101001119 .....	4-3, 4-7
Elastic pad of radiator SY60.1.3.3-11 A230102000054 .....	2-81
Electric system 13434567 .....	1-3
Electrical assembly 13434455 .....	5-9
Electrical socket 60114283 .....	2-21
end cover 13679820 .....	2-147
End cover 60082589 .....	3-23
Engine Drawing Volume for SY75C9I3H 14203760 .....	7-3
Engine GK-4LE2XKSC-02 160102020006 .....	2-131
Engine's front left bearer 13045478 .....	2-147
Engine's front right bearer 13045479 .....	2-147
engine's rear left bearer 14220997 .....	2-147
engine's rear right bearer 13045476 .....	2-147
Evaporator core 60088105 .....	2-77
Evaporator 60030991 .....	2-75
Excavator coating 13801620 .....	1-3
Exhaust hose 60001232 .....	2-75
Exhaust system 13063299 .....	2-131
EXPAND 60037943 .....	3-19
Expansion valve 60123238 .....	2-77
External air sensing device 077500-5191 A240600000249 .....	2-75
Eye bolt 60198287 .....	2-101
Fan tough caution board 12052082 .....	6-7
Feedback pin 60082157 .....	2-99
Filter, pilot AS B229900000063 .....	2-5, 2-17
Filter, pilot A222100000119 .....	2-23
Filter 60250669 .....	2-75
Fire Extinguisher 60001289 .....	2-45
Fitting A820205000858 .....	4-19
Fitting, Adapter B210780000176 .....	2-7, 2-9, 2-11, 2-13, 2-15, 2-17, 4-27
Fitting, Adapter B210780000179 .....	2-9, 2-11
Fitting, Adapter B210780000907 .....	4-27
Fitting, adapter B210780001005 .....	2-91
Fitting, Adapter B210780001307 .....	2-9
Fitting, Adapter B229900003725 .....	3-13
Fitting, connector 24001376 .....	2-91
Fitting, Connector 21002826 .....	2-93
Fitting, Elbow B210780000024 .....	2-7, 2-9, 2-11
Fitting, Elbow B210780000025 .....	3-13
Fitting, Elbow B210780000028 .....	2-93
Fitting, Elbow B210780000418 .....	2-7, 2-9, 2-11, 2-13, 2-15, 2-17, 4-27
Fitting, Elbow B210780000838 .....	2-91
Fitting, Elbow B210780001241 .....	2-91
Fitting, Elbow B210780001310 .....	4-27
Fitting, grease A229900010158 .....	3-25, 4-21
Fitting, tee, L-shape 21051021 .....	4-29
Fitting, Tee, L-Shape B210780000016 .....	2-9
Fitting, tee, L-shape B210780000019 .....	3-9
Fitting, Tee, L-shape B210780000170 .....	2-7, 2-15, 4-27
Fitting, Tee B210780000018 .....	2-93
Fitting 21002815 .....	2-7, 2-11, 2-13, 2-15, 2-17, 3-9, 3-11, 4-29
Fitting 21002822 .....	2-93, 3-13
Fitting 21002840 .....	3-11
Fitting 60294881 .....	2-23
Fitting A820205000894 .....	2-9, 3-9
Fitting A820205000942 .....	2-141
Fitting A820205002377 .....	2-95, 3-9, 3-11
Fitting B210780000142 .....	2-7, 2-9



Fitting B210780000172 .....	2-9, 3-11
Fitting B210780001045 .....	2-9, 2-15
Fixation block 60032919 .....	2-99
fixed frame of flexible shaft 13027697 .....	2-141
Fixed loading spot mark 12052085 .....	6-3, 6-5
Fixed Plate A820101343538 .....	2-87
Fixity of Line 60086355 .....	2-11, 2-143, 5-5
Flange, Split B210780000244 .....	2-91
Flange A820601990304 .....	2-11
Flexible shaft fixed plate 13026911 .....	2-141
Floating Seal 60098976 .....	3-21
Floor Cushion 12643886 .....	2-71
Forward direction indication A820603000246 .....	6-3, 6-5
fresh-Air port Plate AS-Door 60166740 .....	2-53
FRICITION PLATE 60038550 .....	3-19
front lower glass 60146561 .....	2-41
front sealing sponge 13827030 .....	2-71
Front sliding Window lower Sealant strip 60166747 .....	2-51
Front sliding Window outer Sealant strip 60166746 .....	2-51
Front Sliding Window 60166733 .....	2-51
Front window lock caution board 12052088 .....	6-5
fuel cleaner decal 12648410 .....	6-7
fuel cooler inlet pipe 13229967 .....	2-141
Fuel Filter (Excavator) B222100000201 .....	2-145
Fuel Filter ASM 60068848 .....	2-143
fuel plastic tube 12830893 .....	2-141
Fuel pump 60018583 .....	2-143
fuel return pipe 13747524 .....	2-141
fuel system 13063372 .....	2-131
Fuel Tank Assy 10866074 .....	2-141
Fuel Tank 10864996 .....	2-145
Fuse Housing A241300000059 .....	5-7
G1-M30 Connector A820205002466 .....	2-93
G3/8-M18 connector A820205002389 .....	2-9, 3-9, 3-11
Gasket 11937141 .....	2-39
Gasket A820606030364 .....	2-87
Gasket 10167595 .....	3-5
Gasket 60088089 .....	2-77
Gasket 60088090 .....	2-77
Gasket 60088091 .....	2-77
Gasket 60088092 .....	2-77
Gasket A820101118172 .....	2-141
Gauge, sight glass A250100000174 .....	2-105
General assembly of covering parts 13141699 .....	2-3
General Assembly of Locker 11292833 .....	2-81
grease fitting 60337293 .....	3-27
Grommet A820606030056 .....	2-71
guard board support 13428612 .....	2-149
Guide Ring A880806030084 .....	4-23
Guide ring 60170236 .....	4-21
Guide ring 60238274 .....	4-21
Guide ring A880806030085 .....	4-25
Guide Sleeve 11472142 .....	4-21
Guide Sleeve 11473392 .....	4-23
Guide Sleeve 12831131 .....	3-25
Guide Sleeve 13220507 .....	4-25
GZ-type seal ring A880806030048 .....	4-23
hand rail 13430600 .....	2-3
Handle, grip 11050165 .....	2-25, 2-29
Handle, left 12688927 .....	2-61
harness of display 11766171 .....	2-49
harness support 12890639 .....	5-5
harness support 13043492 .....	5-7
Harwess 60088108 .....	2-77
HoodAS Engine 10872465 .....	2-79
Horn Switch Harness 11742013 .....	2-25
Horn 60241902 .....	5-7

Hose AS 21020054 .....	2-17
Hose AS A831213050000 .....	2-7
Hose AS B230103002001 .....	4-27
Hose AS B230103002657 .....	2-19
Hose Assembly B230103000817 .....	4-27
Hose Assembly B230103000907 .....	2-13, 2-17
Hose Assembly B230103000983 .....	2-11
Hose Assembly B230103000988 .....	2-13
Hose Assembly B230103003812 .....	2-93
Hose Assembly B230103008478 .....	2-15
Hose B230103000789 .....	2-9
Hose B230103001358 .....	2-15
Hose B230103001947 .....	2-11
Hose clamp 60240502 .....	2-137
Hose ring hoop 21053360 .....	2-141
Hose, drain A229900009481 .....	2-75
Hose, Fuel Return A820606030880 .....	2-141
hose, suction 13037532 .....	2-89
Hose 21003860 .....	2-15
Hose 23000918 .....	2-17
Hose A820606030367 .....	2-137
Hose A831413150000 .....	3-9, 3-11
hose B230103000895 .....	2-17
Hose B230103000984 .....	2-11
Hose B230103002707 .....	2-15
Hose B230103005403 .....	2-19
Housing 150688000195A .....	2-109
Housing 150688000200A .....	2-119, 2-123
Housing 150688000201A .....	2-111, 2-117
Housing 150688000202A .....	2-113, 2-115, 2-121
Housing 60294883 .....	2-23
Housing 61022641 .....	2-107
HVAC to condenser hose assembly 60030343 .....	2-75
Hydraulic Fuel Tank Assy 12158635 .....	2-89
Hydraulic Fuel Tank sponge 13429032 .....	2-89
Hydraulic Fuel Tank 12158296 .....	2-105
Hydraulic Main Pipeline 13061026 .....	2-3
Hydraulic Motor 60275189 .....	2-125
Hydraulic Pilot Pipeline 13061057 .....	2-3
Indoor sensor 60088110 .....	2-77
Inlet Section 61022653 .....	2-107
Inner air filter 60088111 .....	2-77
inner air intake tube 13626045 .....	2-133
Inner hexagon bolt 60198286 .....	2-101
Inner spring 60082163 .....	2-99
Insert, switch 60116344 .....	2-25, 2-29
installation frame 13429928 .....	2-141
installation plate for electrical equipment 13430275 .....	5-11
instrument box plate 60146544 .....	2-57
intake system 13063351 .....	2-131
Integrated box 12318633 .....	5-11
inter-cooler intake pipe 13048566 .....	2-137
Internal gear 60275194 .....	2-129
Internal One-Way Valve O-ring 60114280 .....	2-21
Internal One-Way Valve 60114263 .....	2-21
Joystick , left B229900001613 .....	2-29
Joystick assembly 60290374 .....	2-31
Joystick, right B229900001614 .....	2-25
Joystick, rubber cover A229900001028 .....	2-25, 2-29
Joystick, rubber cover A229900006446 .....	2-25, 2-29
Key Power-down Caution Panel 12496541 .....	6-7
Key Switch A241200001217 .....	5-11
Knife angle A229900002159 .....	4-17
Knob Switch 60211508 .....	5-11
Lamp,Working 60232826 .....	5-7, 5-9
Leading switch connecting rod 60203051 .....	2-67
Leading switch end cover 60203050 .....	2-67

Leading switch end rod 60203052 .....	2-67
leading wheel SY70-154Y-00 A229900005517 .....	3-7
Left Arm Rest Box Assembly 60106368 .....	2-63
Left armrest box cover 60171201 .....	2-67
Left backup plate of pedal 12003641 .....	2-61
Left Central Sealing Board 13143918 .....	2-151
Left corner decorative parts 60146531 .....	2-59
Left Door Plate 13881295 .....	2-79
Left end sealing board sponge 12258468 .....	2-83
left front sealing board 13817933 .....	2-151
left front sealing board 13817934 .....	2-151
Left Handle Assembly 10585259 .....	2-15
Left jiggle bar A810312090019 .....	4-7
left marking 13794052 .....	6-3
left marking 13794054 .....	6-3
left rear air port connector 60166744 .....	2-45
left rear cover plate assm. 11234443 .....	2-81
Left Rear Sealing Board 13143919 .....	2-151
left rear side glass 60146566 .....	2-41
left sealing sponge 13827032 .....	2-71
left sealing sponge 13827033 .....	2-71
Left shell body of leading switch 60203048 .....	2-67
left sponge of rear hood 14008254 .....	2-81
left-hand interior trimming plate 60146550 .....	2-59
Lever, control A810201073015 .....	2-61
Lever 60088096 .....	2-77
Lifting Marking 12891717 .....	6-5
limit rod 60153651 .....	2-65
Limit Sponge 12121473 .....	2-79
lining sleeve 11473427 .....	4-23
linking air pipe 13106224 .....	2-137
Liquid Reserve Tank A229900004825 .....	2-137
Loading Warning Lable 12972179 .....	6-7
lock key 11473426 .....	4-23
Lock nut 60114275 .....	2-21
Lock-leftFrontWindow 60171053 .....	2-51
Lock-rightFrontWindow 60171052 .....	2-51
Logo plate of fuel tank A820601991047 .....	6-3
lower pipe of radiator 13046818 .....	2-137
lower sponge of rear hood 14008257 .....	2-81
lubricating nameplate 14219533 .....	6-7
M33-M36connector 10620906 .....	2-89
Main cartridge of air cleaner B222100000593 .....	2-135, 7-3
main counterweight body 13431953 .....	2-83
Main pump maintenance package 61006439 .....	2-101
Main Spool 60098955 .....	3-17
Main Valve Frame 10470642 .....	2-91
mandrel 60281035 .....	3-27
Mark Diagram of Hook Point 12052087 .....	6-3, 6-5
mat 12727958 .....	2-147
Mechanical Suspension Driver Seat 60102990 .....	2-63
Motor AS with attachments, servo 60049945 .....	2-77
Motor AS, servo 60049947 .....	2-77
Mount, lower 60237074 .....	2-33
Mount, upper 60008591 .....	2-33
Mounting block 11664307 .....	2-97
Movable Arm 12605969 .....	4-11
Movable Arm 14148515 .....	4-3
Muffler assembly 60231570 .....	2-149
Muffler support 13045163 .....	2-149
Muffler Water Plastic Tube 12799646 .....	2-149
Multi-port Valve 60015195 .....	2-91
Nameplate 13722409 .....	6-5
Nameplate 14177416 .....	6-5
Nameplate 60100511 .....	2-99
Needle Bearing 60098958 .....	3-21
Needle bearing 60038124 .....	2-101

NEEDLE BEARING 60308179 .....	3-21
Needle 60275201 .....	2-129
Needle 60275202 .....	2-129
Noise marker 10385320 .....	6-5
Nut A210307000036 .....	2-61, 2-73, 2-91, 2-137, 2-141, 5-7, 5-9
Nut M12GB6170 dacrotizing 24000874 .....	2-107
Nut 23000169 .....	2-91
Nut 60012073 .....	4-17
Nut 60038452 .....	2-101
Nut 60038480 .....	2-33
Nut 60098981 .....	3-21
Nut 60192530 .....	2-27
nut 60281038 .....	3-27
Nut A210307000009 .....	2-83
Nut A210307000012 .....	2-31, 2-59, 2-81
Nut A210307000015 .....	2-31
Nut A210307000025 .....	2-25, 2-29
Nut A210307000028 .....	2-71, 2-87, 2-147, 4-7
Nut A210307000031 .....	2-149
Nut A210307000055 .....	2-73, 2-149, 3-3
Nut A210308000006 .....	2-25, 2-29
Nylon Belting A239900000053 .....	5-5, 5-9
O-ring 10.9×2.3(JISB2401) A230101000247 .....	2-9, 3-9, 3-11
O-ring 16.7×3.5(JISB2401) A230101000243 .....	2-95
O-Ring-25.3 B230101000031 .....	2-91
O-ring(seal) 60038708 .....	2-99
O-ring(seal) 60038715 .....	2-27
O-ring 21000077 .....	2-23
O-ring 21011613 .....	3-25
O-ring 21019042 .....	2-31
O-ring 23001922 .....	2-7, 2-9
O-Ring 24002612 .....	2-23
O-ring 24002626 .....	3-23
O-ring 29010015 .....	2-23
O-ring 60000846 .....	3-25
O-ring 60008799 .....	2-27
O-ring 60038720 .....	2-35, 2-37
O-ring 60038725 .....	2-99
O-ring 60038727 .....	2-37, 2-99
O-ring 60038773 .....	3-23
O-ring 60038820 .....	2-37
O-ring 60069455 .....	2-129
O-ring 60082181 .....	2-101
O-ring 60082182 .....	2-99
O-ring 60082183 .....	2-99
O-ring 60082184 .....	2-99
O-Ring 60082185 .....	2-99
O-ring 60082912 .....	2-93
O-ring 60083514 .....	3-19
O-Ring 60099005 .....	3-21
O-RING 60256362 .....	3-17
O-RING 60308162 .....	3-17
O-ring A210608000007 .....	2-31
O-ring A210608000020 .....	2-127
O-ring A210608000032 .....	3-13
O-ring A210608000068 .....	4-25
O-ring A210608000074 .....	4-21
O-ring A210608000089 .....	4-25
O-ring A210608000093 .....	4-23
O-ring A210608000106 .....	3-19
O-ring A210609000003 .....	4-21
O-ring A210609000007 .....	4-21
O-ring A210609000077 .....	4-25
O-Ring A210609000079 .....	4-25
O-ring A210609000136 .....	2-89, 2-91
O-ring A210609000143 .....	4-21
O-ring A210609000166 .....	4-23

O-ring A210609000352 .....	2-145
O-ring A230101000244 .....	2-95, 3-9, 3-11
O-ring A230101000496 .....	4-23
O-ring A230101000563 .....	2-23
O-ring A880802010050 .....	3-23
O-ring A880802010064 .....	4-7
O-ring A880802040017 .....	3-25
O-ring B230101000039 .....	4-23
O-ring B230101000047 .....	2-7, 2-11, 2-13, 2-15, 2-17, 3-9, 3-11, 4-27
O-ring B230101000049 .....	2-9, 2-31, 3-9, 3-11, 3-17
O-ring B230101000050 .....	2-91, 2-93
O-Ring B230101000090 .....	2-93, 2-127, 3-9, 3-11, 3-13, 4-19, 4-27
O - Ring B230101000229 .....	3-17
O-ring B230101000356 .....	2-105, 2-141
O-ring B230101000357 .....	3-19
O-ring B230101000366 .....	2-89
O-ring B230101000456 .....	2-89
O-ring B230101000457 .....	2-145
O-ring B230101000614 .....	2-105, 2-127
Oil cylinder guard board 12061490 .....	3-5
Oil distribution plate pin 60038579 .....	2-101
OIL DRAINER ASM 60016775 .....	7-3
Oil Filter ASM 60068849 .....	2-141
Oil Filter 60197083 .....	7-3
Oil inlet tube of engine 13659584 .....	2-141
Oil inlet tube of primary filter 12339509 .....	2-141
Oil level label A820601990928 .....	6-7
Oil Pipe Component 11472913 .....	4-21
Oil Pipe Component 11472923 .....	4-21
Oil Pipe Component 11473357 .....	4-23
Oil Pipe Component 11473971 .....	4-25
Oil Pipe Component 11473973 .....	4-25
Oil return cover A810201011303 .....	2-105
Oil return filter 60072195 .....	2-105
Oil seal cover 60082188 .....	2-99
Oil seal 60038865 .....	2-99
Oil seal 60275211 .....	2-129
Oil suction filter 60072196 .....	2-105
Oil suction tube 13037592 .....	2-89
Oil tube 13037650 .....	2-89
Oil-bearing bush B230101002163 .....	4-25
One-Way Valve A220401000295 .....	2-91
One-Way Valve A220401000334 .....	2-93
Operation and Maintenance Manual 14453625 .....	7-3
Orifice 60098980 .....	3-17
outer intake rubber hose 13626044 .....	2-133
Outer spring 60082172 .....	2-99
Panel, control 60088084 .....	2-77
Panel, control 60088085 .....	2-77
Panel, control 60247379 .....	2-75
Parking Piston 60098992 .....	3-19
PARKING PLATE 60038036 .....	3-19
Pedal sleeve 12002592 .....	2-61
Pedal 12846550 .....	2-61
Pilot oil supplier 60046293 .....	2-5, 2-17
Pilot valve 60247936 .....	2-17
Pilot-control Valve 60225750 .....	2-13, 2-15
Pilot-control Valve 60227366 .....	2-17
Pilot-control Valve B220401000848 .....	4-27
Pin rail 60166735 .....	2-59
Pin 60082179 .....	2-99
Pin 60098986 .....	3-17
Pin 60275212 .....	2-129
Pin 60275225 .....	2-127
Pin 60275233 .....	2-127
Pin 60290370 .....	2-31
Pin A210504000014 .....	3-3

Pinion shaft 60275193 .....	2-129
Pipe Clamp 12653032 .....	4-29
Pipe clamp 11647963 .....	3-25, 4-21, 4-25
Pipe connector 21002824 .....	3-9, 3-11, 4-19, 4-29
Pipe connector 24004879 .....	2-9
Pipe Connector 60051497 .....	2-7
Pipe, cold pipe, air conditioner 11084196 .....	2-73
Pipe, oil inlet 10849262 .....	2-91
Pipe, oil return A810201024807 .....	2-89
Pipe 10549477 .....	4-19
Pipe 10549478 .....	4-19
Pipe 60028445 .....	2-97, 4-29
pipeline bearer 12796771 .....	2-97
Piston assy 60275219 .....	2-127
piston 11473966 .....	4-25
Piston assembly 60084853 .....	2-99
Piston Assy 60098998 .....	3-19
piston rod 11270434 .....	3-25
piston rod 11473081 .....	4-21
Piston Rod 11473542 .....	4-23
Piston Rod 13220512 .....	4-25
Piston Rod 60290367 .....	2-31
Piston 11473424 .....	4-23
Piston 13134554 .....	4-21
Piston 13279347 .....	3-25
Piston 60008803 .....	2-35
Piston 60082180 .....	2-99
Planetary Gear(A) 60098964 .....	3-21
Planetary Gear 60308178 .....	3-21
Plate A810402050021 .....	2-39
Plate Pressure Pattery 11587179 .....	5-7
Plate, circular 60008809 .....	2-27
Plate, fixing 10595640 .....	4-3
PLATE 60037936 .....	2-27
Plate 60098946 .....	3-21
plate 60222385 .....	2-27
Plate 60237075 .....	2-33
Plate 60250668 .....	2-75
Plate 60275215 .....	2-127
Plate 60275228 .....	2-127
Plate A229900001027 .....	2-25, 2-29
plug Assy 60067852 .....	2-109, 2-111, 2-113, 2-115, 2-117, 2-119, 2-121, 2-123
Plug 21023883 .....	4-29
Plug 60008595 .....	2-27
Plug 60038506 .....	3-17
Plug 60038507 .....	3-17
Plug 60038511 .....	3-17
Plug 60038512 .....	3-17
Plug 60038513 .....	3-17
Plug 60038515 .....	3-17, 3-21
PLUG 60038516 .....	3-17
Plug 60038517 .....	3-21
Plug 60082177 .....	2-99
Plug 60082178 .....	2-99
Plug 60114269 .....	2-21
Plug 60114270 .....	2-21
Plug 60163768 .....	2-35
Plug 60275236 .....	2-127
Plug 60275241 .....	2-127
Plug 60294884 .....	2-23
Plug B210780001397 .....	2-97
Plunger Pump 60154165 .....	2-89
Poppet C.V. 60067846 .....	2-111, 2-113, 2-115, 2-117, 2-119, 2-121, 2-123
power line 12537763 .....	5-5
power line 13425816 .....	5-7
Power Supply Harness 60012792 .....	5-7
Power Supply Line 60153608 .....	5-5



Power system 13063482 .....	2-3
Pre-load collar 60275207 .....	2-129
pre-separation 60269356 .....	2-133
preservative box cover 60146527 .....	2-45
Pressure Oil Filter 60049162 .....	2-7
Pressure Reducing Valve Repair kit 60114272 .....	2-21
Pressure Reducing Valve 60114260 .....	2-21
Pressure Relay A240700000548 .....	2-19
Pressure Sensor 60114799 .....	2-9
protective plate 13566137 .....	2-73
protective plate 13640273 .....	2-149
Protective Sleeve 12158298 .....	2-87
protective sleeve assembly 13431769 .....	2-3
Protective Sleeve 11133736 .....	2-87
Protective Sleeve 11133748 .....	2-87
Protective Sleeve 11133751 .....	2-87
Protective Sleeve 11133754 .....	2-87
Protective Sleeve 11133760 .....	2-87
Protective Sleeve 11133761 .....	2-87
Protective Sleeve 11133774 .....	2-87
Protective Sleeve 11133779 .....	2-87
Protective sleeve 11863921 .....	2-63
Protective sleeve 13036178 .....	2-87
Protective sleeve 13817420 .....	2-87
Protective sleeve 13817422 .....	2-87
Protective sleeve 13817425 .....	2-87
Protective sleeve 13817427 .....	2-87
Protective sleeve A820606030917 .....	3-3
Protective sleeve A820606030920 .....	3-3
PT Block 12053111 .....	2-11
pull rod of radiator 13048020 .....	2-137
pull rod of radiator 13626043 .....	2-137
Pump casing 60198284 .....	2-99
Radiator 60282643 .....	2-139
Radiator 60282644 .....	2-139
Radiator 60282645 .....	2-139
Radiator 60282646 .....	2-139
Radio 60205002 .....	5-11
raditor .43656 60233822 .....	2-137
Rain Box 11098409 .....	2-145
rear air duct 60166736 .....	2-45
rear coaming plate 60146535 .....	2-45
REAR COVER 60308161 .....	3-17
Rear hood gas spring 60078542 .....	2-81
rear lower cover plate 60146536 .....	2-45
Rear sealing board assembly 13048932 .....	2-137
rear sealing sponge 14006889 .....	2-137
rear window glass 60146554 .....	2-41
rearview mirror 60228208 .....	2-85
rearview 60166748 .....	2-49
Receptacle,Power B241000000022 .....	5-5
Reducer assembly repair kit 60114291K .....	3-15
Reducer assembly Repair kit 60311387 .....	2-125
Reducer Assembly 60133878 .....	2-93
Reducer Assembly 60216387 .....	3-9, 3-11
Reduction 60275188 .....	2-125
Refer to the caution plate of user's guide 12496543 .....	6-7
Regulator 60198288 .....	2-101
relay mounting plate 11455658 .....	2-83
Relay Protective cover 60160302 .....	5-5
Relief valve 60275234 .....	2-127
Relief V/V Assy 60098952 .....	3-17
Relief Valve 61022642 .....	2-121
Relief Valve 61022643 .....	2-111, 2-113, 2-115, 2-117
Repair kit 150188000002 .....	2-101
Repair kit 150188000003 .....	2-103
Reservior-Hvac Hose 60266971 .....	2-75

Reservoir, Windshield Washer A22990000113 .....	2-55
Retainer ring 65GB895.1-86 A21041700005 .....	4-23
Retainer Ring 8-233 B210491000007 .....	4-25
Retainer Ring 8-243 N300-90 B229900001802 .....	4-21
Retainer Ring 80GB895.1-86 A210417000006 .....	4-21
Retainer ring 60038279 .....	2-99
Retainer Ring 60038293 .....	3-23
Retainer Ring 75GB895.1-86 A210417000075 .....	3-25, 4-23
Retainer Ring A210414000003 .....	2-31
Retainer Ring A210414000065 .....	3-23
Retainer Ring A210417000107 .....	4-25
Retainer Ring A880804040052 .....	4-21, 4-25
Retainer Ring A880804040058 .....	4-25
Retainer Ring B210491000008 .....	4-23
Retainer 60275224 .....	2-127
Retaining Ring 11473393 .....	4-23
Retaining Ring 11623219 .....	4-23
Retaining Ring 13254935 .....	4-21
Retaining Ring 13254939 .....	3-25
Retaining Ring 13254956 .....	4-21
Retaining Ring 60180962 .....	4-23
retaining ring 60281040 .....	3-27
Retaining Ring A880804040057 .....	4-23
Retaining Ring A880804040061 .....	4-25
Revolving Frame 13432039 .....	2-3
right air duct 13776375 .....	2-55
Right Arm Rest Box Assembly 60096298 .....	2-63
Right armrest box cover 60171199 .....	2-69
right back cover plate 11339644 .....	2-81
Right backup plate of pedal Asy. 12009972 .....	2-61
Right Boom Cylinder 11474836 .....	4-19
right cutting blade A229900007313 .....	4-17
right decal 13810353 .....	6-5
Right Door 13881300 .....	2-79
Right end sealing board sponge 12258464 .....	2-83
Right front air duct 60166743 .....	2-55
right front hood plate 60146549 .....	2-55
Right Front Sealing Board 13143920 .....	2-151
Right Handle Assembly 10585261 .....	2-13
Right handle 12691132 .....	2-61
Right jiggle bar A810312090020 .....	4-7
right lower bearer-rear view mirror 13498075 .....	2-85
right rear air port connector 60166742 .....	2-45
right rear inner-decorative 60146548 .....	2-55
right rear sealing board 13645969 .....	2-151
right seal sponge 14006884 .....	2-137
right sealing sponge 13827031 .....	2-71
Right shell body of leading switch 60203049 .....	2-67
right side glass(lower) 60146565 .....	2-41
right side glass(upper) 60146564 .....	2-41
right sponge of rear hood 14008255 .....	2-81
right upper cover plate assy 13929863 .....	2-79
right upper cover plate weldment 13929862 .....	2-79
right upper cover plate 13644682 .....	2-79
Rigid board 60153811 .....	2-65
Ring Gear Cover 60098968 .....	3-21
RING GEAR 60308173 .....	3-21
Ring seal 60275203 .....	2-129
Ring, Back-up 10250773 .....	3-25
Ring, dust 60163771 .....	2-35, 2-37
Ring, Retainer A210417000103 .....	3-25
Ring, seal 60008603 .....	2-27
Ring, Wear B230101001371 .....	3-25
Ring 60275199 .....	2-129
Ring 60275200 .....	2-129
Ring 60275208 .....	2-129
Rivet 60008722 .....	2-99



Rod Push 60235883 .....	2-27
rod 60237076 .....	2-35
Roll, pin 10875673 .....	4-3
Roll, pin A810312110098 .....	4-3, 4-7
Roll, pin A810312110099 .....	4-5
Roll, pin A810312110104 .....	4-3
Roll, pin A810312110118 .....	3-5
Roll, pin A810312110119 .....	3-5
Rotary body 60038344 .....	3-23
Rotary sealing 60038861 .....	3-23
Rotary shaft 60038388 .....	3-23
Rubber Hose ISN6-DKOL-DKOL90-1500 B230103000872 .....	2-15, 3-9, 3-11
Rubber Hose 21025907 .....	2-17
Rubber Hose 21053908 .....	2-19
Rubber Hose 23000738 .....	2-7
Rubber Hose 60026399 .....	2-141
Rubber Hose 60078357 .....	4-19
Rubber Hose 60099782 .....	4-27
Rubber Hose 60113789 .....	4-19
rubber hose 60187384 .....	2-7
rubber hose 60197249 .....	2-9
Rubber Hose 60212557 .....	2-93
rubber hose 60231654 .....	2-91
Rubber Hose 61010364 .....	2-7
Rubber Hose A831213073000 .....	2-9
Rubber Hose A831233040000 .....	2-15
Rubber hose B230103000380 .....	3-9, 3-11
Rubber hose B230103001456 .....	4-27
Rubber hose B230103001587 .....	2-89, 2-91
Rubber hose B230103001744 .....	2-9
Rubber hose B230103002155 .....	3-9, 3-11
Rubber hose B230103002264 .....	2-13
Rubber Hose B230103002533 .....	2-11
Rubber Hose B230103003046 .....	4-19
Rubber hose B230103003203 .....	2-9
Rubber Hose B230103003777 .....	2-9
Rubber Hose B230103004548 .....	4-27
Rubber Hose B230103004707 .....	2-11, 4-27
Rubber Hose B230103005441 .....	3-13
Rubber Hose B230103005511 .....	2-7
Rubber Hose B230103005609 .....	2-97
Rubber Hose B230103005734 .....	2-95
Rubber Hose B230103006472 .....	2-95
Rubber Pad, Battery A820606030643 .....	5-7
Rubber plastic rib 11939617 .....	2-83
rubber plug screw 11039416 .....	2-83
Rubber retainer 11138560 .....	2-87
Rubber sleeve 14387726 .....	2-71
RubberHose 60154318 .....	2-11
RubberHose 60154669 .....	2-93
Running control mechanism 12934780 .....	2-39
S1 gear 60275197 .....	2-129
S2 gear 60275198 .....	2-129
Safety hammer 60052666 .....	2-45
Safety Valve Repair kit 60114266 .....	2-21
Safety Valve 60114257 .....	2-21
Sany Encourage Control Display 14313111 .....	5-9
SANY excavator maintenance and guarantee(English) 11826337 .....	7-3
Scheduled cleaning radiator nameplate 11992504 .....	6-7
scraper seal 60281039 .....	3-27
Screw A210204000354 .....	2-89, 2-91, 2-105
Screw A210207000006 .....	3-27
Screw cap 2 60052641 .....	2-45
Screw plug 10210082 .....	2-145
Screw plug 10514225 .....	2-105
Screw Plug 60082588 .....	3-23
Screw plug 60209584 .....	3-21

Screw Plug B210780000164 .....	2-9, 2-11, 2-13
Screw, adjusting 60008592 .....	2-33
Screw, self-tapping A210264000022 .....	2-25, 2-29
Screw, set 60008728 .....	2-35, 2-99
Screw, set 60237082 .....	2-33
Screw 150688000208A .....	2-111, 2-113, 2-115, 2-117, 2-119, 2-121, 2-123
Screw 21027532 .....	2-97
Screw 23000066 .....	4-27, 4-29
Screw 24002251 .....	5-11
Screw 24002399 .....	2-45
Screw 24004294 .....	4-25
Screw 60008842 .....	2-127
Screw 60068701 .....	2-129
Screw 60082160 .....	2-101
Screw 60237073 .....	2-33
Screw 60249819 .....	2-17, 2-93
Screw 60275239 .....	2-127
Screw 60290373 .....	2-31
Screw 60290376 .....	2-31
Screw A210204000129 .....	2-141, 2-145
Screw A210204000130 .....	2-79
Screw A210204000131 .....	2-13, 2-15
Screw A210204000134 .....	2-31
Screw A210204000146 .....	4-27
Screw A210204000164 .....	3-23
Screw A210204000167 .....	2-89
Screw A210204000196 .....	2-61, 3-25, 4-21, 4-27
Screw A210204000198 .....	2-89, 2-141
Screw A210204000202 .....	4-23, 4-25
Screw A210204000203 .....	2-89
Screw A210204000212 .....	2-127
Screw A210204000213 .....	2-91
Screw A210204000215 .....	2-91
Screw A210204000220 .....	2-133, 2-141
Screw A210204000232 .....	2-93
Screw A210204000335 .....	2-97, 2-147
Screw A210204000337 .....	2-89
Screw A210204000347 .....	2-141
Screw A210204000356 .....	2-91
Screw A210206000003 .....	4-21
Screw A210208000008 .....	3-25
Screw A210210000002 .....	5-11
Screw A210210000030 .....	2-61, 5-7, 5-11
Screw A313180502003 .....	2-59
Screw A880801010041 .....	4-23
Seal - Oil 60308164 .....	3-19
Seal Kit 61836-1 60067854 .....	2-109
Seal Kit 61837-1 60067855 .....	2-111, 2-113, 2-115, 2-117, 2-119, 2-121, 2-123
Seal pad 60294882 .....	2-23
Seal ring 60072117 .....	4-23
Seal ring 60072118 .....	4-21
Seal ring 60084608 .....	4-23
Seal ring 60084610 .....	4-21
Seal ring 60084612 .....	3-25
Seal ring 60087457 .....	3-25
Seal ring 60087463 .....	4-25
seal ring 60087464 .....	4-23
Seal ring 60107394 .....	3-25
Seal Ring 60184741 .....	4-25
seal ring 60250372 .....	4-21
seal ring A230101000323 .....	3-5
seal ring A880806030049 .....	4-25
Seal ring B230101002165 .....	4-25
sealing sponge 1 12605188 .....	2-143
sealing sponge 14006891 .....	2-137
sealing sponge 14006894 .....	2-137
sealing sponge 14006895 .....	2-137

sealing sponge 2 12605190 .....	2-143
sealing sponge 14006893 .....	2-137
Sealing strip 10869499 .....	2-83
seat and control cabinet 12049398 .....	2-39
seat base 11043459 .....	2-63
Seat cushion local fabric gray 60153810 .....	2-65
Seat plate gs.la. 60153812 .....	2-65
Seat safety caution board 12052084 .....	6-7
Seat Spring 60235884 .....	2-27
Seat, spring 60008756 .....	2-35
Seat, spring 60237080 .....	2-37
Seat 60290364 .....	2-31
Seat 60290371 .....	2-31
Security exit nameplate 12052089 .....	6-7
Sensor adaptor of air cleaner B229900003909 .....	2-133
Sensor GP, fuel level 60029642 .....	2-145
Sensor, pressure A820205001061 .....	2-9
Sensor, sunlight B240600000334 .....	2-75
Server piston 60082170 .....	2-99
Set Plate 60098944 .....	3-19
Shaft Casing 60098996 .....	3-19
Shaft drive 60082168 .....	2-99
Shaft Sleeve 13370484 .....	4-13
Shaft Sleeve A820202005318 .....	4-11
Shaft Sleeve A820202005319 .....	4-13
Shaft Sleeve A820202005320 .....	4-13, 4-15
Shaft Sleeve A820202005321 .....	4-15
Shaft 60008585 .....	2-33
Shaft 60008602 .....	2-27
Shaft 60088080 .....	2-77
Shaft 60088081 .....	2-77
Shaft 60088082 .....	2-77
Shaft 60275216 .....	2-127
Shaft 60308165 .....	3-19
Shim 10167594 .....	3-5
Shim A810312990208 .....	4-3
Shim A810312990209 .....	4-3
shim A820101327187 .....	2-83
Shim A820101343429 .....	3-3
Shim A820102010783 .....	4-5, 4-7
Shim A820102010784 .....	4-5, 4-7
shock absorber backup plate 12786511 .....	2-147
Shoe holder 60275220 .....	2-127
Shoe 60082144 .....	2-99
Shut-Off Plug Assembly 60067858 .....	2-109
Sign of Forbidding Tilting Machine When Working 12157387 .....	6-7
Sleeve, shaft 60008690 .....	2-33
Slew Section 60310754 .....	2-107
Slewing Bearing 11184816 .....	3-3
Slewing device 13066599 .....	1-3
Slide rail 60153796 .....	2-65
Slide rail 60153809 .....	2-65
Slipper plate 60038379 .....	2-99
SNAP PING 60167124 .....	2-127
Snap ring 60038304 .....	3-17
Snap Ring 60098973 .....	3-21
SNAP RING 60257712 .....	2-129
Snap ring 60275213 .....	2-129
Socket bolt 60038530 .....	3-17
Solenoid Valve 60114285 .....	2-21
Spacer 10574179 .....	3-5
Spacer 10574180 .....	3-5
Spacer 150688000213A .....	2-111, 2-117
spacer 60067851 .....	2-109
Spacer 60098985 .....	3-19
Spacer A820102010779 .....	4-3
Spacer A820102010780 .....	4-3

Spacer A820102010781 .....	4-3
Spacer A820102010782 .....	4-3
Speaker 60023703 .....	2-47
Speaker 60358261 .....	5-9
Speed governing resistance 60088083 .....	2-77
Spherical liner sleeve 60038585K .....	2-101
Spring 60235885 .....	2-27
Split flow gear pump 60166393 .....	2-73
sponge on sealing board 11049187 .....	2-79
Sponge 12049855 .....	2-79
Sponge 12049959 .....	2-79
sponge 14006886 .....	2-137
sponge 14006890 .....	2-137
Spool Assy- Compensator 60096733 .....	2-111, 2-115
Spool Assy- Compensator 60096734 .....	2-117
Spool 150688000196A .....	2-113
Spool 150688000197A .....	2-123
Spool 150688000198A .....	2-123
Spool 150688000199A .....	2-111
Spool 150688000203A .....	2-115
Spool 150688000210A .....	2-119
Spool 150688000211A .....	2-111, 2-117
Spool 150688000212A .....	2-121
Spool 150688000214A .....	2-113
Spool 150688000215A .....	2-121
Spool 150688000216A .....	2-119
Spool 150688000217A .....	2-109
SPOOL 60008760 .....	2-27
Spool 60098950 .....	3-17
Spool 60237079 .....	2-37
Spool 60290360 .....	2-31
Spring 61022827 .....	2-111, 2-117
Spring b 60275230 .....	2-127
SPRING PIN 60038259 .....	2-27
Spring Pin 60098971 .....	3-21
Spring pin 60275223 .....	2-127
Spring Seat 150688000205A .....	2-111, 2-113, 2-115, 2-117, 2-119, 2-121, 2-123
SPRING SEAT 60038270 .....	3-17
Spring seat 60082152 .....	2-99
spring seat 60281037 .....	3-27
Spring washer 60290361 .....	2-31
Spring, small 60008594 .....	2-37
Spring(pin) 60038260 .....	2-101
Spring 150688000209A .....	2-111, 2-113, 2-115, 2-117, 2-119, 2-121, 2-123
Spring 60008766 .....	2-35
Spring 60008767 .....	2-35
SPRING 60008774 .....	2-27
SPRING 60038229 .....	3-19
SPRING 60038231 .....	3-19
Spring 60038234 .....	3-17
Spring 60038235 .....	3-17
SPRING 60038236 .....	3-19
spring 60067847 .....	2-111, 2-113, 2-115, 2-117, 2-119, 2-121, 2-123
spring 60067849 .....	2-109
Spring 60098970 .....	3-17
spring 60237081 .....	2-37
Spring 60275226 .....	2-127
Spring 60275237 .....	2-127
Spring 60290362 .....	2-31
Spring 60290363 .....	2-31
Steel Ball 24001153 .....	4-21
STEEL BALL 60037971 .....	3-21
STEEL BALL 60037974 .....	3-17
Steel Ball A210661000016 .....	4-23, 4-25
Steel ball A880899030000 .....	3-25
Steel Pipe Assy. 11473076 .....	4-27
Steel Pipe Assy 11605369 .....	4-19, 4-27

Steel Pipe Assy 11605371 .....	4-19, 4-29
Steel Tube Flange of Air Pre-Filter 10386841 .....	2-133
Steel-wire retainer ring 60290366 .....	2-31
Stopper(L) 60082141 .....	2-99
Stopper 60098947 .....	3-17
Storage Battery B242200000026 .....	5-7
Strap, Nylon A2399000000066 .....	2-75
Stroke Limiter 150688000204A .....	2-123
Stud Ends 23000531 .....	4-19
Stud Ends B210780000184 .....	2-95, 2-97, 4-27
Stud Straight Connector B210780000824 .....	2-93
Stud Straight Connector B210780001047 .....	2-93
Suction Cover 12074275 .....	2-105
Suffering Power Of Single Side Forbidden 11809799 .....	6-7
Sun Gear 60098963 .....	3-21
support of sand drainage tube 13045171 .....	2-149
Supporting Plate 10849259 .....	2-91
Supporting steel tube 10218052 .....	4-19
Suspension bottom plate gs.la. 60153813 .....	2-65
Swash Piston Assy 60098997 .....	3-19
Swash plate assembly 60084851 .....	2-99
Swash plate support 60198283 .....	2-99
Swash Plate 60098988 .....	3-19
Swash plate 60275222 .....	2-127
SWASH STEEL BALL 60037972 .....	3-19
Swashplate 60082174 .....	2-99
Swing holder 60290372 .....	2-31
SY60 central slewing adaptor 8ZWII14K2L A229900004501 .....	3-13
SY75C9I3H spare parts drawing volume 13627953 .....	7-3
T-clamp A229900006067 .....	2-133
T-type anchor ear 60197721 .....	2-133
Tension wheel 60009582 .....	2-73
Tensioning Equipment Refiller Valve 60040646 .....	3-27
Tensioning Equipment Repairing bag 60037860 .....	3-27
Tensioning Equipment Spring 60042188 .....	3-27
Tensioning Equipment A229900005521 .....	3-7
Terminal Assembly,Battery,Negative 60013321 .....	5-7
Terminal Assembly,Battery,Positive 60013322 .....	5-7
The speed sensor's bracket of ISUZU 11707090 .....	5-7
Throat collar A210855000013 .....	2-89
Throttle connecting lever 11626828 .....	2-141
throttle guy assembly 60231324 .....	2-141
Thrust Plate 60098991 .....	3-21
Thrust plate 60275204 .....	2-129
Thrust washer 60275205 .....	2-129
Thrust washer 60275206 .....	2-129
Tie Rod 60067857 .....	2-107
Tightening cover 12076820 .....	4-17
Tilting bush 60082166 .....	2-99
Tilting pin assembly 60084848 .....	2-99
Tilting pin 60082167 .....	2-99
Time valve 60275238 .....	2-127
Toggle grey 60153619 .....	2-65
top trim assembly 60146532 .....	2-43
Torque limiter 60198289 .....	2-99
track assembly 10786223 .....	3-7
Track Motor 60308159 .....	3-15
Track Reducer 60308160 .....	3-15
Track roller 11260095 .....	3-7
Track Section 60086270 .....	2-107
Transmission & shock mitigation system 13063244 .....	2-131
transom window glass 60146552 .....	2-41
travel device 13648656 .....	1-3
tube of muffler 10685355 .....	2-149
Type A Triangular Belt A230106000322 .....	2-73
U ring 60290369 .....	2-31
U-shape pipe clamp 10849258 .....	2-91

undercarriages hydraulic pipeline 13647669 .....	3-7
Unloading electromagnetic valve Repair k 60114268 .....	2-21
Unloading electromagnetic valve 60114265 .....	2-21
upper horn cover 60146567 .....	2-43
upper sealing sponge 14006892 .....	2-137
upper sponge of rear hood 14008256 .....	2-81
Upper tube clamp 12085732 .....	4-19
Upper tube clamp 12085733 .....	4-19
Upper Wind insulation board assembly 13048926 .....	2-137
Valve Block 60114259 .....	2-21
Valve cover 60198285 .....	2-101
Valve Plate 60098951 .....	3-19
Valve plate 60275218 .....	2-127
Valve pocket 60290359 .....	2-31
Valve seat component 60086271 .....	2-111, 2-117
Valve, reducing 150188000001 .....	2-103
Valve, shuttle, tee B220400000169 .....	2-15
VALVE 60078235 .....	2-135
Valve 60237072 .....	2-35
Valve A2299000000882 .....	2-145
Vehicle electrical assembly 13434509 .....	5-3
Warning board for high pressure avoidance 12496542 .....	6-7
Warning nameplate for hand burning 12052083 .....	6-5
Warning sign A820699001024 .....	6-7
Washer 60060553 .....	2-71
Washer A210491000118 .....	2-87, 2-89, 2-141, 2-147, 3-7, 4-3
Washer A210491000121 .....	2-137, 2-149, 3-3, 3-7, 4-3
WASHER seal 60008598 .....	2-27
washer 13039393 .....	4-21
Washer 21001334 .....	2-107
Washer 24000511 .....	2-5, 2-11, 2-17, 2-97, 2-133, 2-145
Washer 24000512 .....	2-17, 2-61, 2-81, 2-89, 2-91, 2-97, 2-105, 2-141, 2-145, 3-5
Washer 24000513 .....	2-89
Washer 24000514 .....	2-93
Washer 24000612 .....	2-91
Washer 24000630 .....	5-11
Washer 24000632 .....	2-13, 2-15, 2-17, 2-73, 2-79, 2-93, 2-145, 2-149, 5-5, 5-11
Washer 24000633 .....	2-61, 2-63, 2-73, 2-133, 2-137, 2-141, 2-145, 2-149, 3-3, 5-7
Washer 24000637 .....	2-63, 2-71, 2-73, 2-81, 2-145
Washer 24000639 .....	2-79, 2-83, 2-85
Washer 60008589 .....	2-37
Washer 60008597 .....	2-27, 2-37
Washer 60060546 .....	2-79, 2-87, 2-149, 2-151, 5-5, 5-9
Washer 60060548 .....	2-79
Washer 60060562 .....	2-61, 5-7
Washer 60060564 .....	2-73, 2-79, 2-91, 2-141
Washer 60060565 .....	2-11, 2-63, 2-73, 2-133
Washer 60098974 .....	3-21
Washer 60290365 .....	2-31
WASHER 60308176 .....	3-21
Washer A210401000001 .....	4-23, 4-25
Washer A210401000017 .....	3-23
Washer A210405000011 .....	4-27
Washer A210434000011 .....	3-25
Washer A210444000001 .....	2-87, 3-3, 3-5, 3-7
Washer A210444000003 .....	2-83
Washer A210491000120 .....	2-11, 2-105, 2-137, 2-141, 2-147, 2-149, 4-19
water pipe 14481656 .....	2-73
Water seal 60082587 .....	3-23
water tank upper water pipe 13429783 .....	2-137
wearing ring 60281042 .....	3-27
wearing ring 60281043 .....	3-27
Windscreen wiper assembly 60170187 .....	2-55
Windscreen wiper caution board 12080939 .....	6-5
Wire Clamp 60086353 .....	2-143, 5-5

---

Wire 60098948 .....	3-21
work device tube 13647670 .....	4-3
Work device 13648432 .....	1-3

BLANK PAGE



# Appendix B Numerical Index

10083933 Clip, air cleaner .....	2-133
10124614 Caution plate of bucket rod .....	6-3, 6-5
10167594 Shim .....	3-5
10167595 Gasket .....	3-5
10209832 Clamp, pipe .....	2-97
10210082 Screw plug .....	2-145
10218052 Supporting steel tube .....	4-19
10250773 Ring, Back-up .....	3-25
10385320 Noise marker .....	6-5
10386841 Steel Tube Flange of Air Pre-Filter .....	2-133
10468494 bucket .....	4-17
10468495 Bucket Assembly .....	4-7
10470642 Main Valve Frame .....	2-91
10514225 Screw plug .....	2-105
10542624 Cover .....	3-3
10549477 Pipe .....	4-19
10549478 Pipe .....	4-19
10574179 Spacer .....	3-5
10574180 Spacer .....	3-5
10585259 Left Handle Assembly .....	2-15
10585261 Right Handle Assembly .....	2-13
10595640 Plate, fixing .....	4-3
10600405 Cover Plate .....	3-3
10608104 Combination Running Frame .....	3-3
10620906 M33-M36connector .....	2-89
10685355 tube of muffler .....	2-149
10786223 track assembly .....	3-7
10839083 Battery Rubber Pad .....	5-7
10845524 Brace piece axial pin .....	4-3
10849258 U-shape pipe clamp .....	2-91
10849259 Supporting Plate .....	2-91
10849262 Pipe, oil inlet .....	2-91
10864996 Fuel Tank .....	2-145
10866074 Fuel Tank Assy .....	2-141
10869499 Sealing strip .....	2-83
10872465 HoodAS Engine .....	2-79
10875673 Roll, pin .....	4-3
10949800 Drainage tube .....	2-141
11039416 rubber plug screw .....	2-83
11039429 Adjusting spacer .....	2-83
11039439 adjusting spacer .....	2-83
11043459 seat base .....	2-63
11044677 Base cover .....	2-63
11049187 sponge on sealing board .....	2-79
11050165 Handle, grip .....	2-25, 2-29
11082048 Corrugated Tube .....	2-11
11084177 bracket of reveiver drier to radiator .....	2-73
11084196 Pipe, cold pipe, air conditioner .....	2-73
11098409 Rain Box .....	2-145
11133578 Antiskid paste .....	6-3
11133595 Antiskid paste .....	6-3
11133736 Protective Sleeve .....	2-87
11133748 Protective Sleeve .....	2-87
11133751 Protective Sleeve .....	2-87
11133754 Protective Sleeve .....	2-87
11133760 Protective Sleeve .....	2-87
11133761 Protective Sleeve .....	2-87
11133774 Protective Sleeve .....	2-87
11133779 Protective Sleeve .....	2-87
11138560 Rubber retainer .....	2-87
11166671 bottom cap .....	2-145
11184816 Slewing Bearing .....	3-3

11234421 Adjusting spacer .....	2-81
11234443 left rear cover plate assm. ....	2-81
11260095 Track roller .....	3-7
11270434 piston rod .....	3-25
11270571 Cylinder Drum Component .....	3-25
11281381 Bush .....	3-25
11281501 Bulldozing shovel oil cylinder .....	3-13
11292833 General Assembly of Locker .....	2-81
11297512 Assembly of Rearhood .....	2-81
11339644 right back cover plate .....	2-81
11423740 bracket .....	2-73
11455658 relay mounting plate .....	2-83
11472142 Guide Sleeve .....	4-21
11472143 Bumper Sleeve .....	4-21
11472913 Oil Pipe Component .....	4-21
11472923 Oil Pipe Component .....	4-21
11473076 Steel Pipe Assy. ....	4-27
11473081 piston rod .....	4-21
11473357 Oil Pipe Component .....	4-23
11473380 Bumper Sleeve .....	4-23
11473392 Guide Sleeve .....	4-23
11473393 Retaining Ring .....	4-23
11473424 Piston .....	4-23
11473425 buffer sleeve .....	4-23
11473426 lock key .....	4-23
11473427 lining sleeve .....	4-23
11473542 Piston Rod .....	4-23
11473966 piston .....	4-25
11473967 Bumper Sleeve .....	4-25
11473969 Bush .....	4-25
11473971 Oil Pipe Component .....	4-25
11473973 Oil Pipe Component .....	4-25
11474836 Right Boom Cylinder .....	4-19
11475722 Arm Cylinder .....	4-19
11479085 Armrest component .....	2-85
11571532 Caution board for air cleaner .....	6-7
11571909 Block .....	2-61
11587179 Plate Pressure Pattery .....	5-7
11594954 Cylinder Assem. ....	4-21
11595028 Cylinder assem .....	4-25
11595044 Cylinder assem. ....	4-23
11605369 Steel Pipe Assy .....	4-19, 4-27
11605371 Steel Pipe Assy .....	4-19, 4-29
11623219 Retaining Ring .....	4-23
11626828 Throttle connecting lever .....	2-141
11647963 Pipe clamp .....	3-25, 4-21, 4-25
11664307 Mounting block .....	2-97
11664456 adjusting spacer .....	2-71
11664457 adjusting spacer .....	2-71, 2-83
11685533 Battery Cover .....	5-5
11707090 The speed sensor's bracket of ISUZU .....	5-7
11732666 Control Switch Harness .....	5-11
11742013 Horn Switch Harness .....	2-25
11766171 harness of display .....	2-49
11809799 Suffering Power Of Single Side Forbidden .....	6-7
11826337 SANY excavator maintenance and guarantee(English) .....	7-3
11863921 Protective sleeve .....	2-63
11899729 carry roller .....	3-7
11937141 Gasket .....	2-39
11939617 Rubber plastic rib .....	2-83
11961759 Cramp .....	2-81
11992301 Cab .....	2-3
11992504 Scheduled cleaning radiator nameplate .....	6-7
12001886 Bucket Arm .....	4-13
12002592 Pedal sleeve .....	2-61
12003641 Left backup plate of pedal .....	2-61
12009258 Backup sleeve of pedal .....	2-61

12009972 Right backup plate of pedal Asy. ....	2-61
12010268 Backup sleeve of pedal .....	2-61
12016795 Caution board of "No Standing" .....	6-3
12049398 seat and control cabinet .....	2-39
12049855 Sponge .....	2-79
12049959 Sponge .....	2-79
12052082 Fan tough caution board .....	6-7
12052083 Warning nameplate for hand burning .....	6-5
12052084 Seat safety caution board .....	6-7
12052085 Fixed loading spot mark .....	6-3, 6-5
12052087 Mark Diagram of Hook Point .....	6-3, 6-5
12052088 Front window lock caution board .....	6-5
12052089 Security exit nameplate .....	6-7
12052090 Center-of-gravity mark .....	6-3, 6-5
12053111 PT Block .....	2-11
12061490 Oil cylinder guard board .....	3-5
12062586 base plate .....	2-71
12074275 Suction Cover .....	2-105
12076696 Caution board of "No handhold" .....	6-7
12076809 Bucket Tooth .....	4-17
12076815 Bucket Tooth Pin .....	4-17
12076820 Tightening cover .....	4-17
12080939 Windscreen wiper caution board .....	6-5
12085732 Upper tube clamp .....	4-19
12085733 Upper tube clamp .....	4-19
12087542 butter pool seal ring .....	3-3
12121473 Limit Sponge .....	2-79
12157387 Sign of Forbidding Tilting Machine When Working .....	6-7
12158296 Hydraulic Fuel Tank .....	2-105
12158298 Protective Sleeve .....	2-87
12158635 Hydraulic Fuel Tank Assy .....	2-89
12168555 bottom board rack of cab .....	2-39
12257014 Crawler guard board .....	3-7
12258464 Right end sealing board sponge .....	2-83
12258468 Left end sealing board sponge .....	2-83
12318633 Integrated box .....	5-11
12331899 Brace piece axial pin .....	4-3
12332283 Brace piece axial pin .....	4-3
12339509 Oil inlet tube of primary filter .....	2-141
12496540 Antispray caution plate .....	6-7
12496541 Key Power-down Caution Panel .....	6-7
12496542 Warning board for high pressure avoidance .....	6-7
12496543 Refer to the caution plate of user's guide .....	6-7
12496544 Caution board of belt security .....	6-7
12537763 power line .....	5-5
12540826 Add grease to swing bearing .....	6-5
12605188 sealing sponge 1 .....	2-143
12605190 sealing sponge 2 .....	2-143
12605969 Movable Arm .....	4-11
12643886 Floor Cushion .....	2-71
12648410 fuel cleaner decal .....	6-7
12653032 Pipe Clamp .....	4-29
12688927 Handle, left .....	2-61
12691132 Right handle .....	2-61
12727958 mat .....	2-147
12786511 shock absorber backup plate .....	2-147
12796771 pipeline bearer .....	2-97
12799646 Muffler Water Plastic Tube .....	2-149
12830893 fuel plastic tube .....	2-141
12831131 Guide Sleeve .....	3-25
12831132 Cylinder Assem. ....	3-25
12846550 Pedal .....	2-61
12880533 counterweight left reflective coating .....	6-7
12880559 counterweight right reflective coating .....	6-7
12880603 counterweight marking .....	6-7
12890639 harness support .....	5-5
12891717 Lifting Marking .....	6-5

12934780 Running control mechanism .....	2-39
12972179 Loading Warning Lable .....	6-7
13026911 Flexible shaft fixed plate .....	2-141
13027697 fixed frame of flexible shaft .....	2-141
13032010 air intake rubber hose .....	2-137
13036178 Protective sleeve .....	2-87
13037532 hose, suction .....	2-89
13037592 Oil suction tube .....	2-89
13037650 Oil tube .....	2-89
13039393 washer .....	4-21
13041324 bending pipe .....	2-137
13043492 harness support .....	5-7
13045163 Muffler support .....	2-149
13045171 support of sand drainage tube .....	2-149
13045476 engine's rear right bearer .....	2-147
13045478 Engine's front left bearer .....	2-147
13045479 Engine's front right bearer .....	2-147
13046818 lower pipe of radiator .....	2-137
13046819 connecting rubber hose .....	2-137
13048020 pull rod of radiator .....	2-137
13048566 inter-cooler intake pipe .....	2-137
13048926 Upper Wind insulation board assembly .....	2-137
13048932 Rear sealing board assembly .....	2-137
13061026 Hydraulic Main Pipeline .....	2-3
13061057 Hydraulic Pilot Pipeline .....	2-3
13063244 Transmission & shock mitigation system .....	2-131
13063299 Exhaust system .....	2-131
13063334 cooling system .....	2-131
13063351 intake system .....	2-131
13063372 fuel system .....	2-131
13063482 Power system .....	2-3
13065450 air conditioning system .....	2-3
13066599 Slewing device .....	1-3
13073453 Attached accessories .....	1-3
13106224 linking air pipe .....	2-137
13116520 Anchor Ear .....	2-149
13134554 Piston .....	4-21
13139925 bracket assem. ....	2-79
13141699 General assembly of covering parts .....	2-3
13143918 Left Central Sealing Board .....	2-151
13143919 Left Rear Sealing Board .....	2-151
13143920 Right Front Sealing Board .....	2-151
13220507 Guide Sleeve .....	4-25
13220509 Bucket Oil Cylinder .....	4-19
13220512 Piston Rod .....	4-25
13227581 air intake tube .....	2-133
13229967 fuel cooler inlet pipe .....	2-141
13254935 Retaining Ring .....	4-21
13254939 Retaining Ring .....	3-25
13254956 Retaining Ring .....	4-21
13279347 Piston .....	3-25
13326055 Copper bush .....	4-21
13370484 Shaft Sleeve .....	4-13
13425816 power line .....	5-7
13428612 guard board support .....	2-149
13429032 Hydraulic Fuel Tank sponge .....	2-89
13429783 water tank upper water pipe .....	2-137
13429925 bottom sealing board ASSY .....	2-3
13429928 installation frame .....	2-141
13430275 installation plate for electrical equipment .....	5-11
13430600 hand rail .....	2-3
13431769 protective sleeve assembly .....	2-3
13431952 Counterweight Assembly .....	2-3
13431953 main counterweight body .....	2-83
13432039 Revolving Frame .....	2-3
13434455 Electrical assembly .....	5-9
13434483 Cab electrical assembly .....	5-3

13434509 Vehicle electrical assembly .....	5-3
13434567 Electric system .....	1-3
13498075 right lower bearer-rear view mirror .....	2-85
13566137 protective plate .....	2-73
13623912 bracket .....	2-137
13626043 pull rod of radiator .....	2-137
13626044 outer intake rubber hose .....	2-133
13626045 inner air intake tube .....	2-133
13626547 bracket .....	2-137
13627953 SY75C9I3H spare parts drawing volume .....	7-3
13640273 protective plate .....	2-149
13644682 right upper cover plate .....	2-79
13645969 right rear sealing board .....	2-151
13645972 central rear sealing board .....	2-151
13647669 undercarriages hydraulic pipeline .....	3-7
13647670 work device tube .....	4-3
13648432 Work device .....	1-3
13648656 travel device .....	1-3
13659584 Oil inlet tube of engine .....	2-141
13679820 end cover .....	2-147
13711158 Decal, oil level .....	6-7
13722409 Nameplate .....	6-5
13739252 air passage cover .....	2-55
13747524 fuel return pipe .....	2-141
13776375 right air duct .....	2-55
13793108 beam right decal .....	6-5
13793111 beam left decal .....	6-3
13794052 left marking .....	6-3
13794054 left marking .....	6-3
13794933 clapboard assy .....	2-79
13797229 distance piece sponge .....	2-79
13801620 Excavator coating .....	1-3
13810353 right decal .....	6-5
13817420 Protective sleeve .....	2-87
13817422 Protective sleeve .....	2-87
13817425 Protective sleeve .....	2-87
13817427 Protective sleeve .....	2-87
13817933 left front sealing board .....	2-151
13817934 left front sealing board .....	2-151
13827030 front sealing sponge .....	2-71
13827031 right sealing sponge .....	2-71
13827032 left sealing sponge .....	2-71
13827033 left sealing sponge .....	2-71
13842101 Bottom board sponge of cab .....	2-71
13842102 Bottom board sponge of cab .....	2-71
13881295 Left Door Plate .....	2-79
13881300 Right Door .....	2-79
13929862 right upper cover plate weldment .....	2-79
13929863 right upper cover plate assy .....	2-79
14006884 right seal sponge .....	2-137
14006886 sponge .....	2-137
14006889 rear sealing sponge .....	2-137
14006890 sponge .....	2-137
14006891 sealing sponge .....	2-137
14006892 upper sealing sponge .....	2-137
14006893 sealing sponge .....	2-137
14006894 sealing sponge .....	2-137
14006895 sealing sponge .....	2-137
14008254 left sponge of rear hood .....	2-81
14008255 right sponge of rear hood .....	2-81
14008256 upper sponge of rear hood .....	2-81
14008257 lower sponge of rear hood .....	2-81
14008340 counterweight sponge .....	2-83
14008341 counterweight sponge .....	2-83
14008342 counterweight sponge .....	2-83
14042474 Accompanying tools .....	7-3
14087638 bracket of leading valve .....	2-5

14148515 Movable Arm .....	4-3
14148553 Bucket Arm .....	4-5
14148558 Connecting Rod .....	4-7
14177416 Nameplate .....	6-5
14203760 Engine Drawing Volume for SY75C9I3H .....	7-3
14219533 lubricating nameplate .....	6-7
14220997 engine's rear left bearer .....	2-147
14232291 coating .....	6-3
14313111 Sany Encourage Control Display .....	5-9
14387726 Rubber sleeve .....	2-71
14413098 CAB HARNESS .....	5-11
14413102 body harness .....	5-5
14413103 A/C harness .....	5-9
14453625 Operation and Maintenance Manual .....	7-3
14481656 water pipe .....	2-73
14486543 Bulldozing shovel .....	3-5
150188000001 Valve, reducing .....	2-103
150188000002 Repair kit .....	2-101
150188000003 Repair kit .....	2-103
150288000320A Back Up Ring .....	3-19
150688000195A Housing .....	2-109
150688000196A Spool .....	2-113
150688000197A Spool .....	2-123
150688000198A Spool .....	2-123
150688000199A Spool .....	2-111
150688000200A Housing .....	2-119, 2-123
150688000201A Housing .....	2-111, 2-117
150688000202A Housing .....	2-113, 2-115, 2-121
150688000203A Spool .....	2-115
150688000204A Stroke Limiter .....	2-123
150688000205A Spring Seat .....	2-111, 2-113, 2-115, 2-117, 2-119, 2-121, 2-123
150688000206A Cap .....	2-111, 2-113, 2-115, 2-117, 2-119, 2-121
150688000207A Cap .....	2-123
150688000208A Screw .....	2-111, 2-113, 2-115, 2-117, 2-119, 2-121, 2-123
150688000209A Spring .....	2-111, 2-113, 2-115, 2-117, 2-119, 2-121, 2-123
150688000210A Spool .....	2-119
150688000211A Spool .....	2-111, 2-117
150688000212A Spool .....	2-121
150688000213A Spacer .....	2-111, 2-117
150688000214A Spool .....	2-113
150688000215A Spool .....	2-121
150688000216A Spool .....	2-119
150688000217A Spool .....	2-109
160102020006 Engine GK-4LE2XKSC-02 .....	2-131
21000077 O-ring .....	2-23
21001334 Washer .....	2-107
21002815 Fitting .....	2-7, 2-11, 2-13, 2-15, 2-17, 3-9, 3-11, 4-29
21002822 Fitting .....	2-93, 3-13
21002824 Pipe connector .....	3-9, 3-11, 4-19, 4-29
21002826 Fitting, Connector .....	2-93
21002840 Fitting .....	3-11
21003860 Hose .....	2-15
21004569 Clamp, T-Type .....	2-133
21005237 Bolt .....	3-3, 3-7
21005240 Bolt .....	3-7
21005243 Bolt .....	4-3
21011613 O-ring .....	3-25
21019042 O-ring .....	2-31
21020054 Hose AS .....	2-17
21023883 Plug .....	4-29
21025907 Rubber Hose .....	2-17
21027532 Screw .....	2-97
21051021 Fitting, tee, L-shape .....	4-29
21053360 Hose ring hoop .....	2-141
21053908 Rubber Hose .....	2-19
23000066 Screw .....	4-27, 4-29
23000169 Nut .....	2-91



23000531 Stud Ends .....	4-19
23000738 Rubber Hose .....	2-7
23000918 Hose .....	2-17
23001922 O-ring .....	2-7, 2-9
23002093 Bolt .....	4-7
24000511 Washer .....	2-5, 2-11, 2-17, 2-97, 2-133, 2-145
24000512 Washer .....	2-17, 2-61, 2-81, 2-89, 2-91, 2-97, 2-105, 2-141, 2-145, 3-5
24000513 Washer .....	2-89
24000514 Washer .....	2-93
24000612 Washer .....	2-91
24000630 Washer .....	5-11
24000632 Washer .....	2-13, 2-15, 2-17, 2-73, 2-79, 2-93, 2-145, 2-149, 5-5, 5-11
24000633 Washer .....	2-61, 2-63, 2-73, 2-133, 2-137, 2-141, 2-145, 2-149, 3-3, 5-7
24000637 Washer .....	2-63, 2-71, 2-73, 2-81, 2-145
24000639 Washer .....	2-79, 2-83, 2-85
24000874 Nut M12GB6170 dacrotizing .....	2-107
24001153 Steel Ball .....	4-21
24001376 Fitting, connector .....	2-91
24002251 Screw .....	5-11
24002399 Screw .....	2-45
24002612 O-Ring .....	2-23
24002626 O-ring .....	3-23
24004294 Screw .....	4-25
24004879 Pipe connector .....	2-9
29010015 O-ring .....	2-23
60000846 O-ring .....	3-25
60001232 Exhaust hose .....	2-75
60001289 Fire Extinguisher .....	2-45
60002703 cab Silicon oil shock absorber .....	2-71
60008585 Shaft .....	2-33
60008589 Washer .....	2-37
60008591 Mount, upper .....	2-33
60008592 Screw, adjusting .....	2-33
60008594 Spring, small .....	2-37
60008595 Plug .....	2-27
60008597 Washer .....	2-27, 2-37
60008598 WASHER seal .....	2-27
60008602 Shaft .....	2-27
60008603 Ring, seal .....	2-27
60008690 Sleeve, shaft .....	2-33
60008722 Rivet .....	2-99
60008728 Screw, set .....	2-35, 2-99
60008754 Cover .....	2-35
60008756 Seat, spring .....	2-35
60008760 SPOOL .....	2-27
60008766 Spring .....	2-35
60008767 Spring .....	2-35
60008774 SPRING .....	2-27
60008786 Bolt, socket head .....	2-27
60008799 O-ring .....	2-27
60008803 Piston .....	2-35
60008806 Bush .....	2-27
60008809 Plate, circular .....	2-27
60008842 Screw .....	2-127
60009582 Tension wheel .....	2-73
60012073 Nut .....	4-17
60012792 Power Supply Harness .....	5-7
60013321 Terminal Assembly,Battery,Negative .....	5-7
60013322 Terminal Assembly,Battery,Positive .....	5-7
60015195 Multi-port Valve .....	2-91
60016775 OIL DRAINER ASM .....	7-3
60017380 Butter Nozzle .....	4-3
60018583 Fuel pump .....	2-143
60023703 Speaker .....	2-47
60023704 Antenna .....	2-47, 5-9

60026399 Rubber Hose .....	2-141
60028445 Pipe .....	2-97, 4-29
60029642 Sensor GP, fuel level .....	2-145
60030341 Condenser to reservoir hose assembly .....	2-75
60030343 HVAC to condenser hose assembly .....	2-75
60030991 Evaporator .....	2-75
60032919 Fixation block .....	2-99
60033039 Coolant temperature sensor .....	2-75
60033800 Counterweight Marking of SY75C .....	6-7
60037855 Center Swivel Joint Repairing bag .....	3-23
60037860 Tensioning Equipment Repairing bag .....	3-27
60037936 PLATE .....	2-27
60037943 EXPAND .....	3-19
60037971 STEEL BALL .....	3-21
60037972 SWASH STEEL BALL .....	3-19
60037974 STEEL BALL .....	3-17
60037997 Conical plug .....	3-23
60038036 PARKING PLATE .....	3-19
60038060 Check .....	3-17
60038124 Needle bearing .....	2-101
60038136 Column ball bearing .....	2-99
60038201 Check seat .....	3-17
60038229 SPRING .....	3-19
60038231 SPRING .....	3-19
60038234 Spring .....	3-17
60038235 Spring .....	3-17
60038236 SPRING .....	3-19
60038259 SPRING PIN .....	2-27
60038260 Spring(pin) .....	2-101
60038270 SPRING SEAT .....	3-17
60038279 Retainer ring .....	2-99
60038293 Retainer Ring .....	3-23
60038304 Snap ring .....	3-17
60038344 Rotary body .....	3-23
60038379 Slipper plate .....	2-99
60038383 Cylinder spring .....	2-101
60038388 Rotary shaft .....	3-23
60038452 Nut .....	2-101
60038480 Nut .....	2-33
60038506 Plug .....	3-17
60038507 Plug .....	3-17
60038511 Plug .....	3-17
60038512 Plug .....	3-17
60038513 Plug .....	3-17
60038515 Plug .....	3-17, 3-21
60038516 PLUG .....	3-17
60038517 Plug .....	3-21
60038526 BOLT .....	3-21
60038530 Socket bolt .....	3-17
60038550 FRICTION PLATE .....	3-19
60038563 Bolt .....	2-35
60038565 Bolt, socket head .....	2-99
60038579 Oil distribution plate pin .....	2-101
60038585K Spherical liner sleeve .....	2-101
60038677 Bearing washer .....	2-99
60038708 O-ring(seal) .....	2-99
60038715 O-ring(seal) .....	2-27
60038720 O-ring .....	2-35, 2-37
60038725 O-ring .....	2-99
60038727 O-ring .....	2-37, 2-99
60038773 O-ring .....	3-23
60038820 O-ring .....	2-37
60038861 Rotary sealing .....	3-23
60038865 Oil seal .....	2-99
60040646 Tensioning Equipment Refiller Valve .....	3-27
60041902 90 Degree Metal Mounting Bracket .....	5-5
60041997 Accessories Box .....	7-3



60042188 Tensioning Equipment Spring .....	3-27
60046293 Pilot oil supplier .....	2-5, 2-17
60049162 Pressure Oil Filter .....	2-7
60049945 Motor AS with attachments, servo .....	2-77
60049947 Motor AS, servo .....	2-77
60051497 Pipe Connector .....	2-7
60052626 Ashtray .....	2-57
60052633 Door Anti-Locking Assy. ....	2-59
60052636 Cigarette Lighter .....	2-57
60052639 Bayonet catch of top shed .....	2-43
60052641 Screw cap 2 .....	2-45
60052666 Safety hammer .....	2-45
60060546 Washer .....	2-79, 2-87, 2-149, 2-151, 5-5, 5-9
60060548 Washer .....	2-79
60060553 Washer .....	2-71
60060562 Washer .....	2-61, 5-7
60060564 Washer .....	2-73, 2-79, 2-91, 2-141
60060565 Washer .....	2-11, 2-63, 2-73, 2-133
60064763 Diesel Fuel Cleaner .....	2-143
60067820 Check Valve Assembly .....	2-109
60067846 Poppet C.V. ....	2-111, 2-113, 2-115, 2-117, 2-119, 2-121, 2-123
60067847 spring .....	2-111, 2-113, 2-115, 2-117, 2-119, 2-121, 2-123
60067849 spring .....	2-109
60067851 spacer .....	2-109
60067852 plug Assy .....	2-109, 2-111, 2-113, 2-115, 2-117, 2-119, 2-121, 2-123
60067853 Cap Assy .....	2-109
60067854 Seal Kit 61836-1 .....	2-109
60067855 Seal Kit 61837-1 .....	2-111, 2-113, 2-115, 2-117, 2-119, 2-121, 2-123
60067857 Tie Rod .....	2-107
60067858 Shut-Off Plug Assembly .....	2-109
60068701 Screw .....	2-129
60068848 Fuel Filter ASM .....	2-143
60068849 Oil Filter ASM .....	2-141
60069452 O-Ring .....	3-19
60069455 O-ring .....	2-129
60072117 Seal ring .....	4-23
60072118 Seal ring .....	4-21
60072195 Oil return filter .....	2-105
60072196 Oil suction filter .....	2-105
60076074 Air intake fitting .....	2-59
60077849 Cover of watering opening .....	2-139
60078235 VALVE .....	2-135
60078237 COVER ASSEMBLY .....	2-135
60078239 CASE ASSEMBLY .....	2-135
60078357 Rubber Hose .....	4-19
60078542 Rear hood gas spring .....	2-81
60082141 Stopper(L) .....	2-99
60082144 Shoe .....	2-99
60082152 Spring seat .....	2-99
60082155 Adjusting threaded rod .....	2-101
60082157 Feedback pin .....	2-99
60082158 cylinder body .....	2-101
60082160 Screw .....	2-101
60082163 Inner spring .....	2-99
60082165 Distributing Oil Disc .....	2-101
60082166 Tilting bush .....	2-99
60082167 Tilting pin .....	2-99
60082168 Shaft drive .....	2-99
60082170 Server piston .....	2-99
60082172 Outer spring .....	2-99
60082174 Swashplate .....	2-99
60082175 Board .....	2-101
60082177 Plug .....	2-99
60082178 Plug .....	2-99
60082179 Pin .....	2-99
60082180 Piston .....	2-99
60082181 O-ring .....	2-101

60082182 O-ring .....	2-99
60082183 O-ring .....	2-99
60082184 O-ring .....	2-99
60082185 O-Ring .....	2-99
60082188 Oil seal cover .....	2-99
60082587 Water seal .....	3-23
60082588 Screw Plug .....	3-23
60082589 End cover .....	3-23
60082912 O-ring .....	2-93
60083322 Clamp .....	2-137, 5-5
60083514 O-ring .....	3-19
60084608 Seal ring .....	4-23
60084610 Seal ring .....	4-21
60084612 Seal ring .....	3-25
60084845 Cylinder assembly .....	2-101
60084848 Tilting pin assembly .....	2-99
60084851 Swash plate assembly .....	2-99
60084853 Piston assembly .....	2-99
60086263 Bucket Section .....	2-107
60086264 Boom Section .....	2-107
60086266 Aux Section .....	2-107
60086270 Track Section .....	2-107
60086271 Valve seat component .....	2-111, 2-117
60086353 Wire Clamp .....	2-143, 5-5
60086354 Clamp .....	2-73, 5-5
60086355 Fixity of Line .....	2-11, 2-143, 5-5
60086356 Clamp .....	5-5
60086357 Clamp .....	2-11, 4-29, 5-9
60087457 Seal ring .....	3-25
60087463 Seal ring .....	4-25
60087464 seal ring .....	4-23
60088077 Air door .....	2-77
60088078 Air door .....	2-77
60088079 Air door .....	2-77
60088080 Shaft .....	2-77
60088081 Shaft .....	2-77
60088082 Shaft .....	2-77
60088083 Speed governing resistance .....	2-77
60088084 Panel, control .....	2-77
60088085 Panel, control .....	2-77
60088086 Core assy for heat .....	2-77
60088088 Blower .....	2-77
60088089 Gasket .....	2-77
60088090 Gasket .....	2-77
60088091 Gasket .....	2-77
60088092 Gasket .....	2-77
60088096 Lever .....	2-77
60088103 Body, shell .....	2-77
60088104 Body, shell .....	2-77
60088105 Evaporator core .....	2-77
60088107 Body, shell .....	2-77
60088108 Harwess .....	2-77
60088110 Indoor sensor .....	2-77
60088111 Inner air filter .....	2-77
60096298 Right Arm Rest Box Assembly .....	2-63
60096733 Spool Assy- Compensator .....	2-111, 2-115
60096734 Spool Assy- Compensator .....	2-117
60098944 Set Plate .....	3-19
60098946 Plate .....	3-21
60098947 Stopper .....	3-17
60098948 Wire .....	3-21
60098950 Spool .....	3-17
60098951 Valve Plate .....	3-19
60098952 Relief V/V Assy .....	3-17
60098955 Main Spool .....	3-17
60098958 Needie Bearing .....	3-21
60098959 Ball Bearing .....	3-17

60098961 Dearing .....	3-19
60098963 Sun Gear .....	3-21
60098964 Planetary Gear(A) .....	3-21
60098968 Ring Gear Cover .....	3-21
60098970 Spring .....	3-17
60098971 Spring Pin .....	3-21
60098973 Snap Ring .....	3-21
60098974 Washer .....	3-21
60098976 Floating Seal .....	3-21
60098980 Orifice .....	3-17
60098981 Nut .....	3-21
60098984 Ball Guide .....	3-19
60098985 Spacer .....	3-19
60098986 Pin .....	3-17
60098988 Swash Plate .....	3-19
60098991 Thrust Plate .....	3-21
60098992 Parking Piston .....	3-19
60098994 Collar .....	3-21
60098996 Shaft Casing .....	3-19
60098997 Swash Piston Assy .....	3-19
60098998 Piston Assy .....	3-19
60099005 O-Ring .....	3-21
60099069 accelerograph motor .....	2-141
60099782 Rubber Hose .....	4-27
60100511 Nameplate .....	2-99
60102990 Mechanical Suspension Driver Seat .....	2-63
60106368 Left Arm Rest Box Assembly .....	2-63
60107394 Seal ring .....	3-25
60113789 Rubber Hose .....	4-19
60114257 Safety Valve .....	2-21
60114259 Valve Block .....	2-21
60114260 Pressure Reducing Valve .....	2-21
60114263 Internal One-Way Valve .....	2-21
60114265 Unloading electromagnetic valve .....	2-21
60114266 Safety Valve Repair kit .....	2-21
60114268 Unloading electromagnetic valve Repair k .....	2-21
60114269 Plug .....	2-21
60114270 Plug .....	2-21
60114272 Pressure Reducing Valve Repair kit .....	2-21
60114275 Lock nut .....	2-21
60114277 Accumulator .....	2-21
60114280 Internal One-Way Valve O-ring .....	2-21
60114281 Accumulator O-ring .....	2-21
60114283 Electrical socket .....	2-21
60114285 Solenoid Valve .....	2-21
60114291K Reducer assembly repair kit .....	3-15
60114799 Pressure Sensor .....	2-9
60116344 Insert, switch .....	2-25, 2-29
60123238 Expansion valve .....	2-77
60128283 Cab .....	2-39
60133878 Reducer Assembly .....	2-93
60136780 Dust ring .....	4-23
60136781 Dust ring .....	4-21
60136782 Dust ring .....	3-25
60146527 preservative box cover .....	2-45
60146531 Left corner decorative parts .....	2-59
60146532 top trim assembly .....	2-43
60146535 rear coaming plate .....	2-45
60146536 rear lower cover plate .....	2-45
60146544 instrument box plate .....	2-57
60146548 right rear inner-decorative .....	2-55
60146549 right front hood plate .....	2-55
60146550 left-hand interior trimming plate .....	2-59
60146552 transom window glass .....	2-41
60146554 rear window glass .....	2-41
60146561 front lower glass .....	2-41
60146564 right side glass(upper) .....	2-41

60146565 right side glass(lower) .....	2-41
60146566 left rear side glass .....	2-41
60146567 upper horn cover .....	2-43
60148482 Air cleaner sensor .....	2-133
60149606 Clamp .....	2-73, 2-137, 2-141
60151839 Diesel cleaner filter core .....	7-3
60153608 Power Supply Line .....	5-5
60153619 Toggle grey .....	2-65
60153633 Backrest cushion local Fabric gray .....	2-65
60153644 Bellow .....	2-65
60153648 Backrest extension local fabric gray .....	2-65
60153651 limit rod .....	2-65
60153653 Cover .....	2-65
60153664 Cover .....	2-65
60153794 Armrest .....	2-65
60153796 Slide rail .....	2-65
60153807 Armrest LH. ....	2-65
60153809 Slide rail .....	2-65
60153810 Seat cushion local fabric gray .....	2-65
60153811 Rigid board .....	2-65
60153812 Seat plate gs.la. ....	2-65
60153813 Suspension bottom plate gs.la. ....	2-65
60154165 Plunger Pump .....	2-89
60154318 RubberHose .....	2-11
60154669 RubberHose .....	2-93
60160302 Relay Protective cover .....	5-5
60163768 Plug .....	2-35
60163771 Ring, dust .....	2-35, 2-37
60166393 Split flow gear pump .....	2-73
60166731 Door assembly .....	2-51
60166733 Front Sliding Window .....	2-51
60166735 Pin rail .....	2-59
60166736 rear air duct .....	2-45
60166739 Air outlet of air-conditioner .....	2-59
60166740 fresh-Air port Plate AS-Door .....	2-53
60166742 right rear air port connector .....	2-45
60166743 Right front air duct .....	2-55
60166744 left rear air port connector .....	2-45
60166746 Front sliding Window outer Sealant strip .....	2-51
60166747 Front sliding Window lower Sealant strip .....	2-51
60166748 rearview .....	2-49
60166767 ArmspoolAssy .....	2-117
60167124 SNAP PING .....	2-127
60170187 Windscreen wiper assembly .....	2-55
60170236 Guide ring .....	4-21
60171052 Lock-rightFrontWindow .....	2-51
60171053 Lock-leftFrontWindow .....	2-51
60171198 Armrest box body .....	2-67, 2-69
60171199 Right armrest box cover .....	2-69
60171201 Left armrest box cover .....	2-67
60180962 Retaining Ring .....	4-23
60183934 Dust Ring .....	4-25
60184741 Seal Ring .....	4-25
60187384 rubber hose .....	2-7
60192530 Nut .....	2-27
60192531 Bellows .....	2-27
60197034 Cluster Fixed Lace .....	5-5
60197083 Oil Filter .....	7-3
60197249 rubber hose .....	2-9
60197721 T-type anchor ear .....	2-133
60198283 Swash plate support .....	2-99
60198284 Pump casing .....	2-99
60198285 Valve cover .....	2-101
60198286 Inner hexagon bolt .....	2-101
60198287 Eye bolt .....	2-101
60198288 Regulator .....	2-101
60198289 Torque limiter .....	2-99

60202078 Cluster Fixed Lace .....	5-11
60203048 Left shell body of leading switch .....	2-67
60203049 Right shell body of leading switch .....	2-67
60203050 Leading switch end cover .....	2-67
60203051 Leading switch connecting rod .....	2-67
60203052 Leading switch end rod .....	2-67
60205002 Radio .....	5-11
60209584 Screw plug .....	3-21
60211508 Knob Switch .....	5-11
60212557 Rubber Hose .....	2-93
60212661 Damping pad .....	2-147
60215141 Dust ring .....	3-25
60216387 Reducer Assembly .....	3-9, 3-11
60220063 Diesel Fine Filter Core .....	7-3
60222385 plate .....	2-27
60225750 Pilot-control Valve .....	2-13, 2-15
60225886 Bolt .....	2-11, 2-141
60227366 Pilot-control Valve .....	2-17
60228208 rearview mirror .....	2-85
60231324 throttle guy assembly .....	2-141
60231570 Muffler assembly .....	2-149
60231654 rubber hose .....	2-91
60232826 Lamp, Working .....	5-7, 5-9
60233822 radiator .43656 .....	2-137
60235882 Casing .....	2-27
60235883 Rod Push .....	2-27
60235884 Seat Spring .....	2-27
60235885 Spring .....	2-27
60237031 Breather Valve .....	2-93
60237071 casing .....	2-37
60237072 Valve .....	2-35
60237073 Screw .....	2-33
60237074 Mount, lower .....	2-33
60237075 Plate .....	2-33
60237076 rod .....	2-35
60237077 Ball, steel .....	2-35
60237078 Bolt, socket head .....	2-33
60237079 Spool .....	2-37
60237080 Seat, spring .....	2-37
60237081 spring .....	2-37
60237082 Screw, set .....	2-33
60237083 Cover, rubber .....	2-33
60238274 Guide ring .....	4-21
60240502 Hose clamp .....	2-137
60240503 Clamp .....	2-137
60241902 Horn .....	5-7
60247379 Panel, control .....	2-75
60247936 Pilot valve .....	2-17
60249819 Screw .....	2-17, 2-93
60250372 seal ring .....	4-21
60250668 Plate .....	2-75
60250669 Filter .....	2-75
60256362 O-RING .....	3-17
60257712 SNAP RING .....	2-129
60265972 BACK UP RING .....	3-17
60266971 Reservoir-Hvac Hose .....	2-75
60269356 pre-separation .....	2-133
60275188 Reduction .....	2-125
60275189 Hydraulic Motor .....	2-125
60275190 Body .....	2-129
60275191 CarrierI .....	2-129
60275192 CarrierII .....	2-129
60275193 Pinion shaft .....	2-129
60275194 Internal gear .....	2-129
60275195 B1 gear .....	2-129
60275196 B2 gear .....	2-129
60275197 S1 gear .....	2-129

60275198 S2 gear .....	2-129
60275199 Ring .....	2-129
60275200 Ring .....	2-129
60275201 Needle .....	2-129
60275202 Needle .....	2-129
60275203 Ring seal .....	2-129
60275204 Thrust plate .....	2-129
60275205 Thrust washer .....	2-129
60275206 Thrust washer .....	2-129
60275207 Pre-load collar .....	2-129
60275208 Ring .....	2-129
60275209 Bearing .....	2-129
60275210 Bearing .....	2-129
60275211 Oil seal .....	2-129
60275212 Pin .....	2-129
60275213 Snap ring .....	2-129
60275214 Body .....	2-127
60275215 Plate .....	2-127
60275216 Shaft .....	2-127
60275217 Cylinder barrel .....	2-127
60275218 Valve plate .....	2-127
60275219 Pistion assy .....	2-127
60275220 Shoe holder .....	2-127
60275221 Barrel holder .....	2-127
60275222 Swash plate .....	2-127
60275223 Spring pin .....	2-127
60275224 Retainer .....	2-127
60275225 Pin .....	2-127
60275226 Spring .....	2-127
60275227 Disk plate .....	2-127
60275228 Plate .....	2-127
60275229 Brake piston .....	2-127
60275230 Spring b .....	2-127
60275231 Bearing .....	2-127
60275232 Bearing .....	2-127
60275233 Pin .....	2-127
60275234 Relief valve .....	2-127
60275235 Check valve .....	2-127
60275236 Plug .....	2-127
60275237 Spring .....	2-127
60275238 Time valve .....	2-127
60275239 Screw .....	2-127
60275240 By-pass valve .....	2-127
60275241 Plug .....	2-127
60281035 mandrel .....	3-27
60281036 cylinder body .....	3-27
60281037 spring seat .....	3-27
60281038 nut .....	3-27
60281039 scraper seal .....	3-27
60281040 retaining ring .....	3-27
60281041 channel gask .....	3-27
60281042 wearing ring .....	3-27
60281043 wearing ring .....	3-27
60282643 Radiator .....	2-139
60282644 Radiator .....	2-139
60282645 Radiator .....	2-139
60282646 Radiator .....	2-139
60290358 Body .....	2-31
60290359 Valve pocket .....	2-31
60290360 Spool .....	2-31
60290361 Spring washer .....	2-31
60290362 Spring .....	2-31
60290363 Spring .....	2-31
60290364 Seat .....	2-31
60290365 Washer .....	2-31
60290366 Steel-wire retainer ring .....	2-31
60290367 Piston Rod .....	2-31

60290368 Copper sleeve .....	2-31
60290369 U ring .....	2-31
60290370 Pin .....	2-31
60290371 Seat .....	2-31
60290372 Swing holder .....	2-31
60290373 Screw .....	2-31
60290374 Joystick assembly .....	2-31
60290375 Dust Cover .....	2-31
60290376 Screw .....	2-31
60290377 Cap .....	2-31
60294881 Fitting .....	2-23
60294882 Seal pad .....	2-23
60294883 Housing .....	2-23
60294884 Plug .....	2-23
60308159 Track Motor .....	3-15
60308160 Track Reducer .....	3-15
60308161 REAR COVER .....	3-17
60308162 O-RING .....	3-17
60308164 Seal - Oil .....	3-19
60308165 Shaft .....	3-19
60308166 CYLINDER BLOCK .....	3-19
60308170 BACK UP RING .....	3-19
60308173 RING GEAR .....	3-21
60308174 ANGULAR BEARING .....	3-21
60308175 Carrier .....	3-21
60308176 WASHER .....	3-21
60308177 COLLAR .....	3-21
60308178 Planetary Gear .....	3-21
60308179 NEEDLE BEARING .....	3-21
60308180 DRIVE GEAR .....	3-21
60310753 Arm Section .....	2-107
60310754 Slew Section .....	2-107
60310755 Drain Regulator Assembly .....	2-109
60311387 Reducer assembly Repair kit .....	2-125
60337293 grease fitting .....	3-27
60339145 Coupling .....	2-147
60358261 Speaker .....	5-9
61006439 Main pump maintenance package .....	2-101
61010364 Rubber Hose .....	2-7
61017350 Air Condition .....	2-73
61022640 Dozer Section .....	2-107
61022641 Housing .....	2-107
61022642 Relief Valve .....	2-121
61022643 Relief Valve .....	2-111, 2-113, 2-115, 2-117
61022653 Inlet Section .....	2-107
61022827 Spring .....	2-111, 2-117
A210110000435 Bolt M30×170GB5782 Grade 10.9 .....	2-83
A210110000450 Bolt .....	2-83
A210111000012 Bolt .....	2-17, 2-61, 2-81, 2-87, 2-137, 2-141, 2-145, 3-5, 3-7, 5-5
A210111000024 Bolt .....	2-71, 2-79, 2-97, 2-141, 2-147
A210111000053 Bolt .....	3-5, 4-3
A210111000079 Bolt .....	2-11, 2-53, 5-5
A210111000081 Bolt .....	2-73, 2-143
A210111000082 Bolt .....	2-73
A210111000083 Bolt .....	2-73
A210111000090 Bolt .....	2-73, 2-145
A210111000092 Bolt .....	2-73, 2-133
A210111000097 Bolt .....	2-73, 2-141
A210111000101 Bolt .....	2-137
A210111000106 Bolt .....	3-7
A210111000120 Bolt .....	4-19
A210111000195 Bolt .....	2-39, 2-63, 2-71
A210111000197 Bolt .....	2-79, 2-137, 2-149, 2-151
A210111000199 Bolt .....	2-83, 3-3
A210111000202 Bolt .....	2-79, 2-85, 2-149, 4-3
A210111000203 Bolt .....	2-79



A210111000205 Bolt	2-87, 4-3, 4-5
A210111000208 Bolt	3-7
A210111000210 Bolt	2-147
A210111000212 Bolt	3-5
A210111000263 Bolt	4-3
A210111000301 Bolt	4-17
A210111000323 Bolt	2-133, 2-149
A210111000342 Bolt	2-5, 2-17, 2-61, 2-63, 2-73, 2-137, 3-3
A210111000343 Bolt	2-63, 2-141, 2-149, 5-7
A210111000347 Bolt	2-87
A210138000000 Bolt	2-59
A210204000129 Screw	2-141, 2-145
A210204000130 Screw	2-79
A210204000131 Screw	2-13, 2-15
A210204000134 Screw	2-31
A210204000146 Screw	4-27
A210204000164 Screw	3-23
A210204000167 Screw	2-89
A210204000196 Screw	2-61, 3-25, 4-21, 4-27
A210204000198 Screw	2-89, 2-141
A210204000202 Screw	4-23, 4-25
A210204000203 Screw	2-89
A210204000212 Screw	2-127
A210204000213 Screw	2-91
A210204000215 Screw	2-91
A210204000220 Screw	2-133, 2-141
A210204000232 Screw	2-93
A210204000334 Bolt, socket head	2-11, 2-61, 2-73, 2-141, 2-149
A210204000335 Screw	2-97, 2-147
A210204000337 Screw	2-89
A210204000340 Bolt, socket head	2-11
A210204000347 Screw	2-141
A210204000354 Screw	2-89, 2-91, 2-105
A210204000356 Screw	2-91
A210204000357 Bolt	2-97, 2-141, 2-147
A210206000003 Screw	4-21
A210207000006 Screw	3-27
A210208000008 Screw	3-25
A210210000002 Screw	5-11
A210210000030 Screw	2-61, 5-7, 5-11
A210264000022 Screw, self-tapping	2-25, 2-29
A210307000009 Nut	2-83
A210307000012 Nut	2-31, 2-59, 2-81
A210307000015 Nut	2-31
A210307000025 Nut	2-25, 2-29
A210307000028 Nut	2-71, 2-87, 2-147, 4-7
A210307000031 Nut	2-149
A210307000036 Nut	2-61, 2-73, 2-91, 2-137, 2-141, 5-7, 5-9
A210307000055 Nut	2-73, 2-149, 3-3
A210308000006 Nut	2-25, 2-29
A210401000001 Washer	4-23, 4-25
A210401000017 Washer	3-23
A210405000011 Washer	4-27
A210414000003 Retainer Ring	2-31
A210414000065 Retainer Ring	3-23
A210417000005 Retainer ring 65GB895.1-86	4-23
A210417000006 Retainer Ring 80GB895.1-86	4-21
A210417000075 Retainer Ring75GB895.1-86	3-25, 4-23
A210417000103 Ring, Retainer	3-25
A210417000107 Retainer Ring	4-25
A210434000011 Washer	3-25
A210444000001 Washer	2-87, 3-3, 3-5, 3-7
A210444000003 Washer	2-83
A210491000118 Washer	2-87, 2-89, 2-141, 2-147, 3-7, 4-3
A210491000120 Washer	2-11, 2-105, 2-137, 2-141, 2-147, 2-149, 4-19
A210491000121 Washer	2-137, 2-149, 3-3, 3-7, 4-3
A210504000014 Pin	3-3



A210608000007 O-ring .....	2-31
A210608000020 O-ring .....	2-127
A210608000032 O-ring .....	3-13
A210608000068 O-ring .....	4-25
A210608000074 O-ring .....	4-21
A210608000089 O-ring .....	4-25
A210608000093 O-ring .....	4-23
A210608000106 O-ring .....	3-19
A210609000003 O-ring .....	4-21
A210609000007 O-ring .....	4-21
A210609000077 O-ring .....	4-25
A210609000079 O-Ring .....	4-25
A210609000136 O-ring .....	2-89, 2-91
A210609000143 O-ring .....	4-21
A210609000166 O-ring .....	4-23
A210609000352 O-ring .....	2-145
A210661000016 Steel Ball .....	4-23, 4-25
A210804000002 Adaptor, Grease .....	3-5, 4-7, 4-23, 4-25
A210855000013 Throat collar .....	2-89
A220401000295 One-Way Valve .....	2-91
A220401000334 One-Way Valve .....	2-93
A220700000028 Condenser .....	2-75
A222100000119 Filter, pilot .....	2-23
A222200000093 Door lock .....	2-53
A229900000113 Reservoir, Windshield Washer .....	2-55
A229900000882 Valve .....	2-145
A229900001027 Plate .....	2-25, 2-29
A229900001028 Joystick, rubber cover .....	2-25, 2-29
A229900001345 Clamp .....	2-137, 2-141
A229900001347 Clamp, Hose .....	2-149
A229900001700 Bolt M8×100(GB5782) Grade 10.9 .....	2-141
A229900002031 Clamp .....	2-137
A229900002159 Knife angle .....	4-17
A229900003178 Carriage Lamp cEMC0502.8 20 .....	2-59
A229900003759 Clamp, T-bolt .....	2-133
A229900003883 A229900003883 .....	2-47
A229900004501 SY60 central slewing adaptor 8ZWII14K2L .....	3-13
A229900004825 Liquid Reserve Tank .....	2-137
A229900005516 Driving wheel .....	3-7
A229900005517 leading wheel SY70-154Y-00 .....	3-7
A229900005521 Tensioning Equipment .....	3-7
A229900006067 T-clamp .....	2-133
A229900006446 Joystick, rubber cover .....	2-25, 2-29
A229900007313 right cutting blade .....	4-17
A229900008784 Bracker, dryer clamp .....	2-75
A229900009481 Hose, drain .....	2-75
A229900010158 Fitting, grease .....	3-25, 4-21
A230101000243 O-ring 16.7×3.5(JISB2401) .....	2-95
A230101000244 O-ring .....	2-95, 3-9, 3-11
A230101000247 O-ring 10.9×2.3(JISB2401) .....	2-9, 3-9, 3-11
A230101000323 seal ring .....	3-5
A230101000496 O-ring .....	4-23
A230101000563 O-ring .....	2-23
A230102000054 Elastic pad of radiator SY60.1.3.3-11 .....	2-81
A230106000322 Type A Triangular Belt .....	2-73
A239900000053 Nylon Belting .....	5-5, 5-9
A239900000066 Strap, Nylon .....	2-75
A240600000249 External air sensing device 077500-5191 .....	2-75
A240700000548 Pressure Relay .....	2-19
A241200001217 Key Switch .....	5-11
A241300000059 Fuse Housing .....	5-7
A250100000174 Gauge, sight glass .....	2-105
A290000002193 Cover, Lock, Fuel Tank .....	2-145
A311141609016 Bolt .....	3-3
A313180502003 Screw .....	2-59
A810201011303 Oil return cover .....	2-105
A810201024807 Pipe, oil return .....	2-89

A810201073015 Lever, control .....	2-61
A810312090019 Left jiggle bar .....	4-7
A810312090020 Right jiggle bar .....	4-7
A810312100032 Connecting Rod .....	4-15
A810312110098 Roll, pin .....	4-3, 4-7
A810312110099 Roll, pin .....	4-5
A810312110104 Roll, pin .....	4-3
A810312110118 Roll, pin .....	3-5
A810312110119 Roll, pin .....	3-5
A810312990208 Shim .....	4-3
A810312990209 Shim .....	4-3
A810402050021 Plate .....	2-39
A820101117029 Cushion .....	2-71
A820101117871 Cover .....	2-87
A820101118172 Gasket .....	2-141
A820101216763 Bracket .....	2-79
A820101322531 Bracket, lamp .....	4-3
A820101327187 shim .....	2-83
A820101343428 Cover Plate .....	3-3
A820101343429 Shim .....	3-3
A820101343538 Fixed Plate .....	2-87
A820101352521 Cover Plate .....	3-7
A820101357603 Board .....	2-97
A820102010779 Spacer .....	4-3
A820102010780 Spacer .....	4-3
A820102010781 Spacer .....	4-3
A820102010782 Spacer .....	4-3
A820102010783 Shim .....	4-5, 4-7
A820102010784 Shim .....	4-5, 4-7
A820202004034 Bush .....	3-5, 4-3
A820202004035 Bush .....	4-3, 4-5
A820202005318 Shaft Sleeve .....	4-11
A820202005319 Shaft Sleeve .....	4-13
A820202005320 Shaft Sleeve .....	4-13, 4-15
A820202005321 Shaft Sleeve .....	4-15
A820202005473 Clamp, pipe, rubber .....	2-97
A820205000858 Fitting .....	4-19
A820205000894 Fitting .....	2-9, 3-9
A820205000942 Fitting .....	2-141
A820205000944 Adapter, relay .....	2-19
A820205001061 Sensor, pressure .....	2-9
A820205002377 Fitting .....	2-95, 3-9, 3-11
A820205002378 Connector .....	2-95
A820205002389 G3/8-M18 connector .....	2-9, 3-9, 3-11
A820205002464 Connector .....	2-93
A820205002466 G1-M30 Connector .....	2-93
A820205002468 Connector .....	2-91
A820205002626 Connector .....	2-91
A820301015908 Double-threaded Stud .....	5-7
A820301021346 Axial pin with hole .....	4-7
A820301021347 Axial pin with hole .....	4-7
A820301021349 Axial pin with hole .....	4-7
A820601000014 Control indicating board of bulldozing shovel .....	6-7
A820601040450 Clip, hose .....	2-97
A820601990304 Flange .....	2-11
A820601990926 Decal, warning, fall .....	6-3
A820601990927 Decal, unlock .....	6-7
A820601990928 Oil level label .....	6-7
A820601990961 Decal, instruction, operation .....	6-7
A820601990967 Decal, instruction, seat adjustment .....	6-7
A820601990968 Decal, warning, tensioner .....	6-3, 6-5
A820601990972 Decal, power supply .....	6-3
A820601991047 Logo plate of fuel tank .....	6-3
A820601991049 Counterweight warning board .....	6-7
A820603000246 Forward direction indication .....	6-3, 6-5
A820606030056 Grommet .....	2-71
A820606030364 Gasket .....	2-87

A820606030367 Hose .....	2-137
A820606030643 Rubber Pad, Battery .....	5-7
A820606030880 Hose, Fuel Return .....	2-141
A820606030917 Protective sleeve .....	3-3
A820606030920 Protective sleeve .....	3-3
A820699000215 Back sponge .....	2-71
A820699001024 Warning sign .....	6-7
A820699001109 Decal, power socket .....	6-3
A820699001284 Decal, instruction, refrigerant change .....	6-7
A831213050000 Hose AS .....	2-7
A831213073000 Rubber Hose .....	2-9
A831233040000 Rubber Hose .....	2-15
A831413150000 Hose .....	3-9, 3-11
A880801010041 Screw .....	4-23
A880802010050 O-ring .....	3-23
A880802010064 O-ring .....	4-7
A880802040017 O-ring .....	3-25
A880804040052 Retainer Ring .....	4-21, 4-25
A880804040057 Retaining Ring .....	4-23
A880804040058 Retainer Ring .....	4-25
A880804040061 Retaining Ring .....	4-25
A880806030048 GZ-type seal ring .....	4-23
A880806030049 seal ring .....	4-25
A880806030050 Anti-pollution loop .....	3-25
A880806030084 Guide Ring .....	4-23
A880806030085 Guide ring .....	4-25
A880806030100 Bearing Ring .....	3-25
A880806030101 Bearing Ring .....	4-21
A880806030102 Bearing Ring .....	4-23
A880808070030 Dust ring .....	4-21
A880808070033 Dust ring .....	4-23
A880808070035 Dust ring .....	4-25
A880809020008 杯士 .....	3-25
A880809020009 杯士 .....	4-21
A880809020010 杯士 .....	4-23
A880899030000 Steel ball .....	3-25
B210491000007 Retainer Ring 8-233 .....	4-25
B210491000008 Retainer Ring .....	4-23
B210780000016 Fitting, Tee, L-Shape .....	2-9
B210780000018 Fitting, Tee .....	2-93
B210780000019 Fitting, tee, L-shape .....	3-9
B210780000024 Fitting, Elbow .....	2-7, 2-9, 2-11
B210780000025 Fitting, Elbow .....	3-13
B210780000028 Fitting, Elbow .....	2-93
B210780000043 Connector, Pipe .....	2-9
B210780000142 Fitting .....	2-7, 2-9
B210780000164 Screw Plug .....	2-9, 2-11, 2-13
B210780000170 Fitting, Tee, L-shape .....	2-7, 2-15, 4-27
B210780000172 Fitting .....	2-9, 3-11
B210780000176 Fitting, Adapter .....	2-7, 2-9, 2-11, 2-13, 2-15, 2-17, 4-27
B210780000179 Fitting, Adapter .....	2-9, 2-11
B210780000184 Stud Ends .....	2-95, 2-97, 4-27
B210780000244 Flange, Split .....	2-91
B210780000418 Fitting, Elbow .....	2-7, 2-9, 2-11, 2-13, 2-15, 2-17, 4-27
B210780000824 Stud Straight Connector .....	2-93
B210780000827 Connector, pipe .....	2-7
B210780000838 Fitting, Elbow .....	2-91
B210780000847 Connector, pipe .....	2-11
B210780000907 Fitting, Adapter .....	4-27
B210780001005 Fitting, adapter .....	2-91
B210780001045 Fitting .....	2-9, 2-15
B210780001047 Stud Straight Connector .....	2-93
B210780001241 Fitting, Elbow .....	2-91
B210780001307 Fitting, Adapter .....	2-9
B210780001310 Fitting, Elbow .....	4-27
B210780001397 Plug .....	2-97
B220203000007 Compressor .....	2-75

B220400000169 Valve, shuttle, tee .....	2-15
B220401000848 Pilot-control Valve .....	4-27
B222100000201 Fuel Filter (Excavator) .....	2-145
B222100000591 Auxiliary cartridge of air cleaner .....	2-135
B222100000593 Main cartridge of air cleaner .....	2-135, 7-3
B222100000599 Air Cleaner .....	2-133
B229900000063 Filter, pilot AS .....	2-5, 2-17
B229900001613 Joystick , left .....	2-29
B229900001614 Joystick, right .....	2-25
B229900001802 Retainer Ring 8-243 N300-90 .....	4-21
B229900003725 Fitting, Adapter .....	3-13
B229900003909 Sensor adaptor of air cleaner .....	2-133
B229900005141 Dryer reservoir .....	2-75
B229900005996 Clip .....	2-99
B229900006176 Bearing Ring .....	4-25
B230101000031 O-Ring-25.3 .....	2-91
B230101000039 O-ring .....	4-23
B230101000047 O-ring .....	2-7, 2-11, 2-13, 2-15, 2-17, 3-9, 3-11, 4-27
B230101000049 O-ring .....	2-9, 2-31, 3-9, 3-11, 3-17
B230101000050 O-ring .....	2-91, 2-93
B230101000090 O-Ring .....	2-93, 2-127, 3-9, 3-11, 3-13, 4-19, 4-27
B230101000229 O - Ring .....	3-17
B230101000356 O-ring .....	2-105, 2-141
B230101000357 O-ring .....	3-19
B230101000366 O-ring .....	2-89
B230101000456 O-ring .....	2-89
B230101000457 O-ring .....	2-145
B230101000614 O-ring .....	2-105, 2-127
B230101001118 Dust Ring .....	4-3
B230101001119 Dust Ring .....	4-3, 4-7
B230101001371 Ring, Wear .....	3-25
B230101002163 Oil-bearing bush .....	4-25
B230101002165 Seal ring .....	4-25
B230103000380 Rubber hose .....	3-9, 3-11
B230103000789 Hose .....	2-9
B230103000817 Hose Assembly .....	4-27
B230103000872 Rubber Hose 1SN6-DKOL-DKOL90-1500 .....	2-15, 3-9, 3-11
B230103000895 hose .....	2-17
B230103000907 Hose Assembly .....	2-13, 2-17
B230103000983 Hose Assembly .....	2-11
B230103000984 Hose .....	2-11
B230103000988 Hose Assembly .....	2-13
B230103001358 Hose .....	2-15
B230103001456 Rubber hose .....	4-27
B230103001587 Rubber hose .....	2-89, 2-91
B230103001744 Rubber hose .....	2-9
B230103001947 Hose .....	2-11
B230103002001 Hose AS .....	4-27
B230103002155 Rubber hose .....	3-9, 3-11
B230103002264 Rubber hose .....	2-13
B230103002533 Rubber Hose .....	2-11
B230103002657 Hose AS .....	2-19
B230103002707 Hose .....	2-15
B230103003046 Rubber Hose .....	4-19
B230103003203 Rubber hose .....	2-9
B230103003777 Rubber Hose .....	2-9
B230103003812 Hose Assembly .....	2-93
B230103004548 Rubber Hose .....	4-27
B230103004707 Rubber Hose .....	2-11, 4-27
B230103005403 Hose .....	2-19
B230103005441 Rubber Hose .....	3-13
B230103005511 Rubber Hose .....	2-7
B230103005609 Rubber Hose .....	2-97
B230103005734 Rubber Hose .....	2-95
B230103006472 Rubber Hose .....	2-95
B230103008478 Hose Assembly .....	2-15
B240600000334 Sensor, sunlight .....	2-75

---

B24100000022 Receptacle,Power .....	5-5
B24220000026 Storage Battery .....	5-7
SSY004676239 breaker pipeline .....	4-9



### **Белгород**

Белгородский р-н, п. Новосадовый,  
ул. Перспективная, д.11

### **Волгоград**

Ангарская 178, 2 этаж, каб.6

### **Воронеж**

ул. Дорожная, д. 86

### **Краснодар**

Тахтамукайский район,  
пгт. Яблоновский, ул. Ленина, д.39А, оф.201

### **Липецк**

ул. Ковалева, д 123 В

### **Минеральные Воды**

ул. Советская, д. 55

### **Москва**

ул. Соколово-Мещерская, д.25, офис 304А/Б

### **Республика Крым**

г. Симферополь Московское шоссе, 11-й километр, литД, этаж 1

### **Ростов-на-Дону**

г. Батайск, Восточное шоссе, 6Д

### **Самара**

Московское шоссе 20 км (поселок Мехзавод),  
строение 33, офис 201а

### **Саратов**

1-й Усть-Курдюмский проезд, д. 2