

Каталог запасных частей Sany SY50

SY50C9Y5RU(GB)

Гидравлический экскаватор

Equipment No. SY005GCA22338

wangh2645 2021-10-09

wangh2645 2021-10-09

wangh2645 2021-10-09

wangh2645 2021-10-09

wangh2645 2021-10-09

wangh2645 2021-10-09

wangh2645 2021-10-09

wangh2645 2021-10-09

wangh2645 2021-10-09

wangh2645 2021-10-09

wangh2645 2021-10-09

wangh2645 2021-10-09

Описание

Эта книга содержит иллюстрации и списки деталей, необходимых для правильного определения и заказа заменяемых деталей на вашей машине Sany.

Если эта книга будет повреждена, утеряна или станет неразборчивой, запросите новую копию у своего дистрибьютора Sany.

Если вы продаете эту машину, обязательно передайте эту книгу запчастей новому владельцу.

Улучшения в конструкции могут привести к изменениям в деталях, которые могут не указываться в этой книге. Всегда консультируйтесь со своим дистрибьютором Sany для получения последней доступной информации о вашем оборудовании или если у вас есть вопросы относительно информации, содержащейся в этой книге.

Хранение книги запасных частей

Эта публикация относится только к этой конкретной машине и не должна использоваться с какими-либо другими машинами.

Всегда держите эту книгу доступной для справки.

Контакты

125466, Москва, ул. Соколово-Мещерская, д.25, офис 304А/Б

Service Hotline: +7 (800) 600-29-61

E-mail: sany@stmachinery.ru

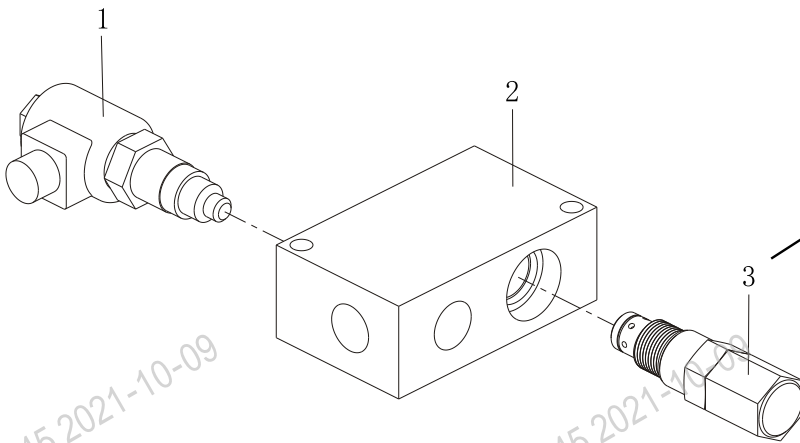
Website: <http://www.sm-sany.ru>

Сервис

<http://www.sm-sany.ru>

A810201021318 Switch Valve Assembly

Page header with parts code, and parts description



Line-art illustration with
callout numbers

Page footer with page number, chapter title, machine model and product name

Page header with parts code, and parts description

INDEX: that matches callout numbers on previous illustration page

SEE PAGE: for page information of the part or assembly

INDEX	PART NO.	DESCRIPTION	QTY	SEE PAGE
1	B220401000459	Valve Assembly, Solenoid	1	
2	A820103010415	Change Valve Block, Cooling Oil Motor	1	
3	B220400000083	Relief Valve	1	

PART NO.: to be used along with DESCRIPTION to identify the part or assembly

DESCRIPTION: to be used along with PART NO. to identify the part or assembly

QTY: it indicates the number of each part used in this assembly

Page footer with page number, chapter title, machine model and product name

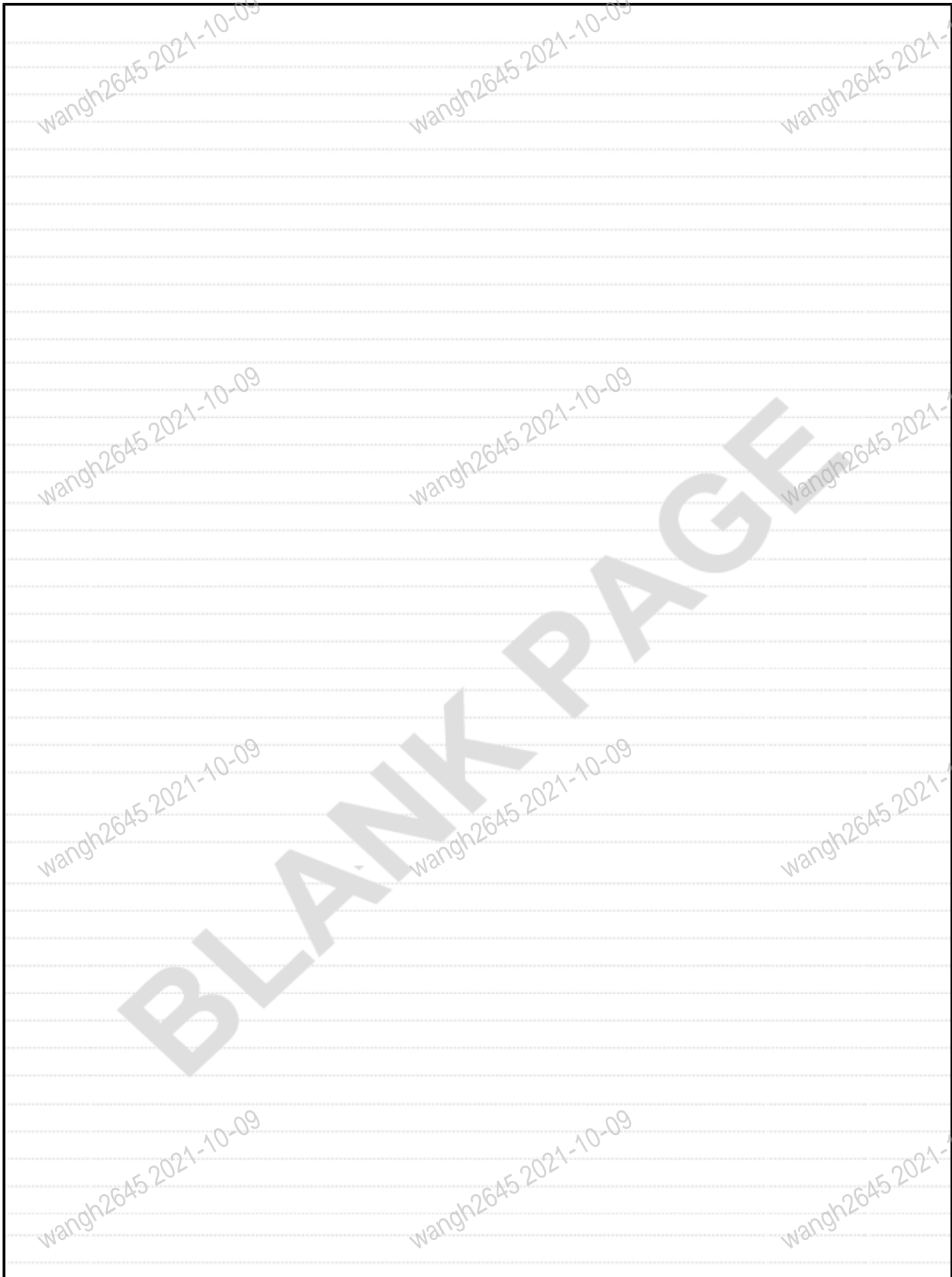
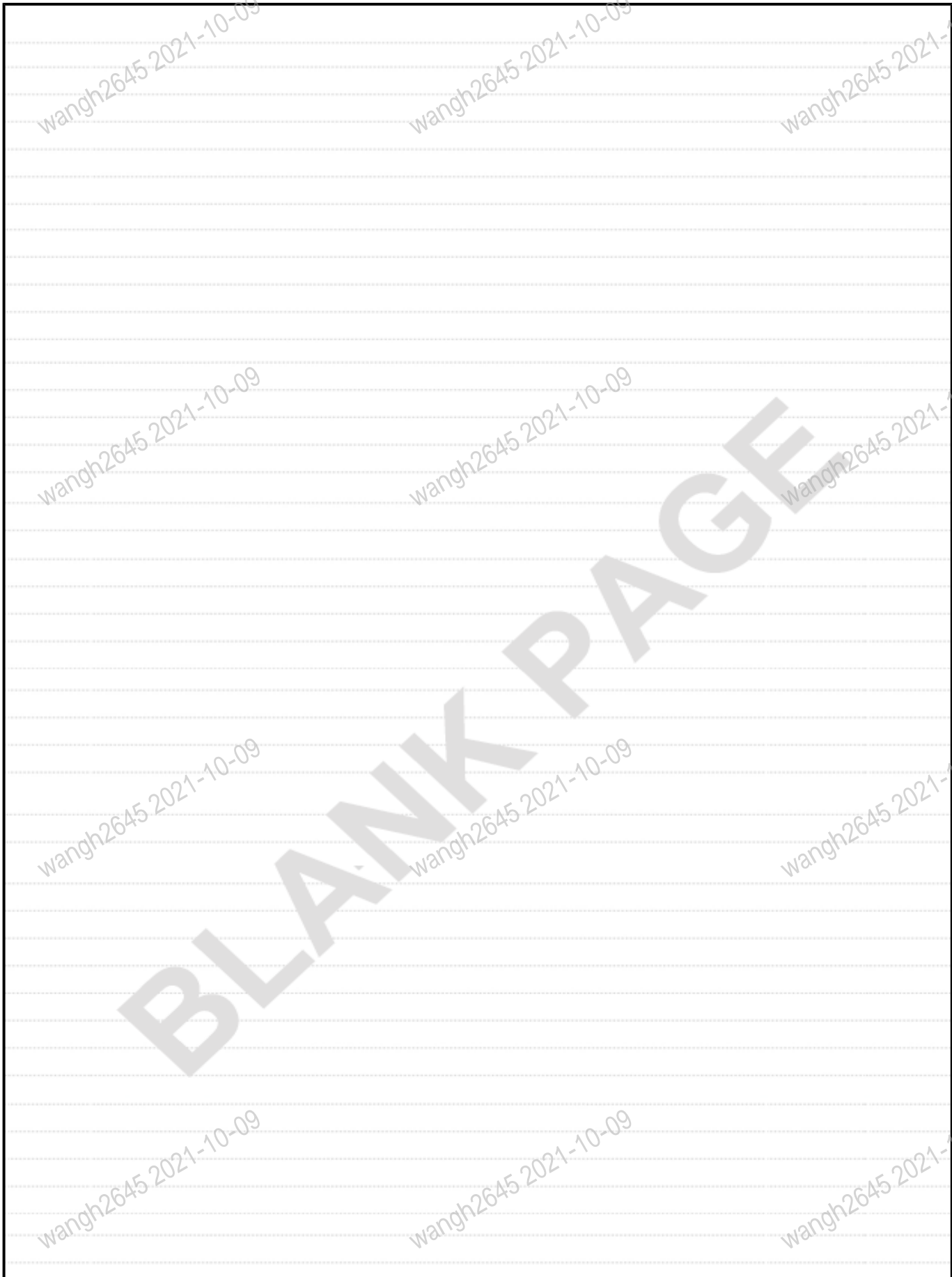


Table of Contents

Group 1 SY50C9Y5RU(GB) Hydraulic excavator body	1-1
14406735 SY50C9Y5RU(GB) Hydraulic excavator body	1-2
Group 2 Superstructure assembly (EU CAB)	2-1
14129321 Superstructure assembly (EU CAB)	2-2
13275271 battery fixed component.....	2-4
13719777 Toolbox	2-6
air condition.....	2-8
61017618 Air conditioning assembly	2-10
61017789 HVAC	2-12
counterweight assembly	2-14
bottom sealing board	2-16
13721354 axis pin component.....	2-18
Pilot pipeline	2-20
60342181 Electromagnetic reversal valve.....	2-42
60211330 Filter.....	2-44
60129665 Pilot-control Valve	2-46
60281431 Proportional Electromagnetic Valve	2-50
60281974 Pilot-control Valve	2-52
60352305 Pilot valve	2-54
60352306 Pilot valve	2-56
Hydraulic main pipeline.....	2-58
61007909 Plunger pump	2-94
60358584 Multiple valve	2-96
61020080 Inlet section assy.....	2-98
61020081 Dozer blade section assy.....	2-100
61020082 Travel section assy	2-102
61020083 Travel section assy	2-104
61020084 Slew section assy.....	2-106
61020085 Boom swing section assy.....	2-108
61020086 Aux2 section assy	2-110
61020087 Aux1 section assy	2-112
61020088 Arm section assy	2-114
61020089 Buc section assy	2-116
61020090 Boom section assy.....	2-118
B229900005731 Reducer assembly.....	2-120
Hydraulic motor group	2-122
60164187 RELIEF VALVE.....	2-124
REDUCTION GEAR ASSEMBLY.....	2-126
60266025 Reducer assembly repair kit.....	2-128

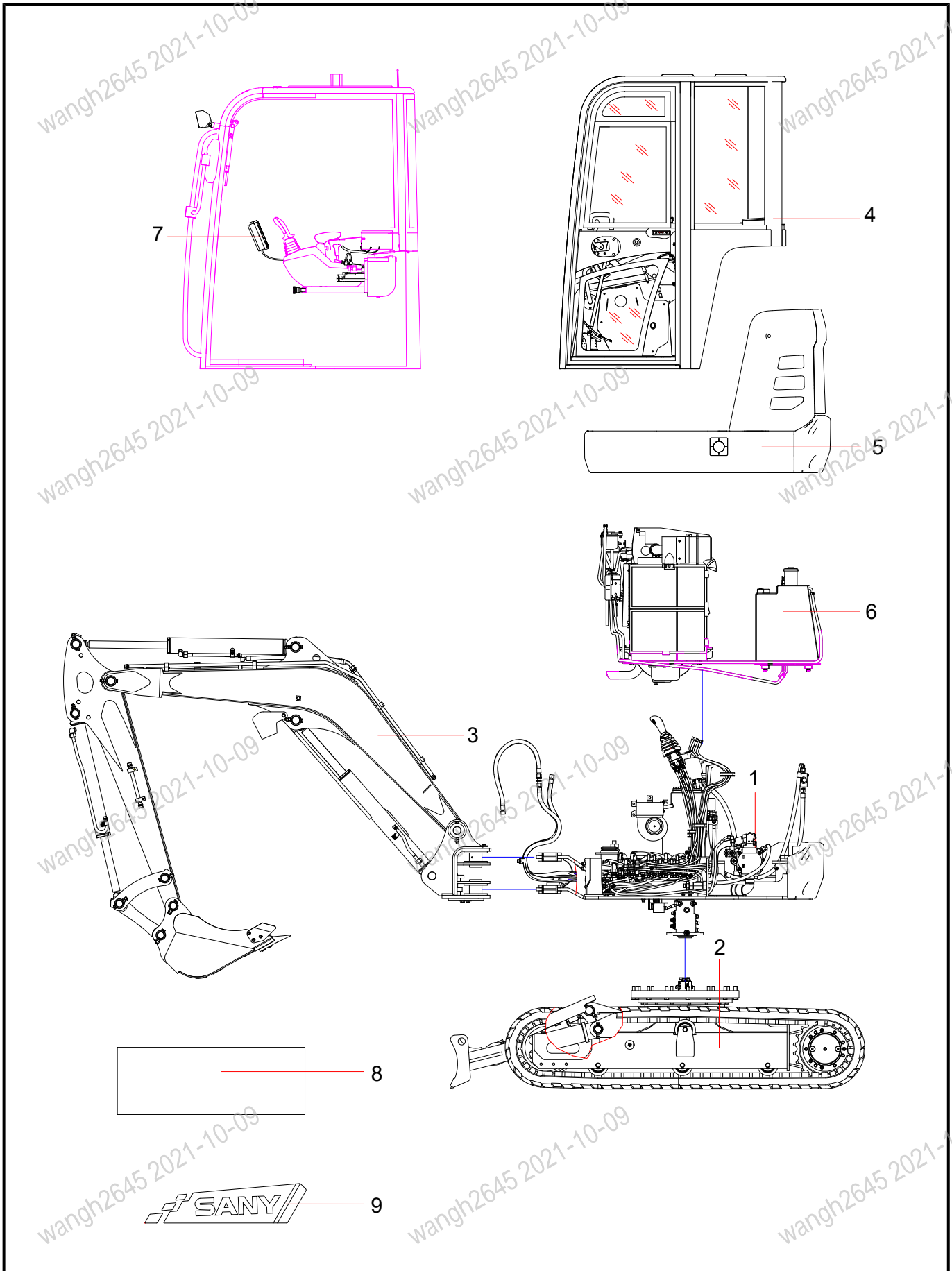
13850341 Hydraulic oil tank assy.....	2-130
60237031 Breather Valve	2-132
13726940 Bulldozing shovel oil cylinder	2-134
13719123 slewing device accessory	2-136
Group 3 Travel device	3-1
13946174 Travel device	3-2
A229900004668 Tensioning Equipment	3-8
13179291 Slewing Bearing	3-10
SSY004699543 Dozer Blade	3-12
Undercarriages hydraulic pipeline.....	3-14
60167638 centerswiveljoint.....	3-20
60334764 Reducer assembly	3-22
Motor assembly.....	3-24
Reducer assembly.....	3-30
13290780 Bulldozing shovel oil cylinder	3-32
Group 4 Working Device	4-1
14412686 Working Device	4-2
Work device Tube	4-26
13286928 Bucket Oil Cylinder	4-32
13286585 Bucket Oil Cylinder	4-34
SSY004705812 Connecting Rod Assy.....	4-36
13260590 bucket	4-38
Group 5 CAB	5-1
CAB.....	5-2
60232041 cab.....	5-4
60166748 rearview	5-24
13603246 pendulum pedal assy.....	5-26
seat and control assem	5-28
60223376 Left armrest box assembly.....	5-32
14376618 seat base	5-34
60282632 right armrest boxes assembly	5-36
running control mechanism assem	5-38
running control mechanism	5-40
13603240 pedal assy	5-42
13603236 pedal assy	5-44
Group 6 Cover	6-1
Cover	6-2
13718739 Covering parts assembly	6-10
14507304 Front engine hood	6-12
14510112 Right door component	6-14
14503476 Assembly of rear hood	6-16
14503483 hinge of rear hood	6-18

14377646 Left door component.....	6-20
13717638 Support assembly	6-22
13266096 Bridging rear Beam assembly.....	6-24
Group 7 Power system.....	7-1
Power system	7-2
Transmission & shock mitigation system	7-4
Air intake & exhaust system	7-6
60114706 air cleaner	7-8
cooling system.....	7-10
60306621 Radiator	7-12
Fuel System.....	7-14
60307172 Fuel filter assembly	7-16
13260082 Fuel tank assy.....	7-18
Group 8 Electrical assembly drawing.....	8-1
13721596 Electrical assembly drawing.....	8-2
12824424 Integrated box.....	8-10
Group 9 SY50C1Y4NU attached accessories	9-1
13722667 SY50C1Y4NU attached accessories	9-2
14042474 Accompanying tools	9-4
A290000000155 Toolbox, portable	9-6
Group 10 SANY logo mark	10-1
13721397 SANY logo mark.....	10-2

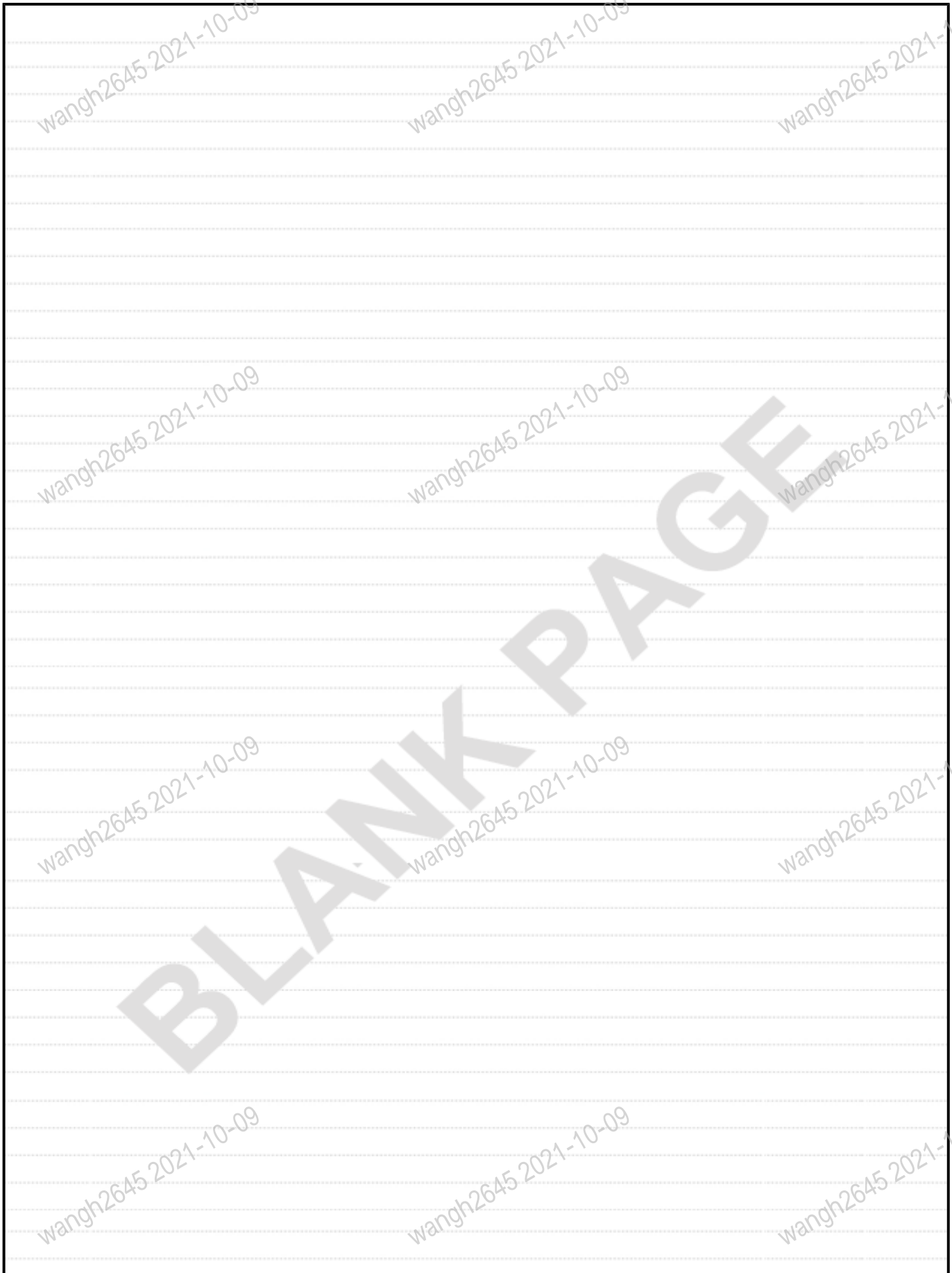


Group 1

SY50C9Y5RU(GB) Hydraulic excavator body

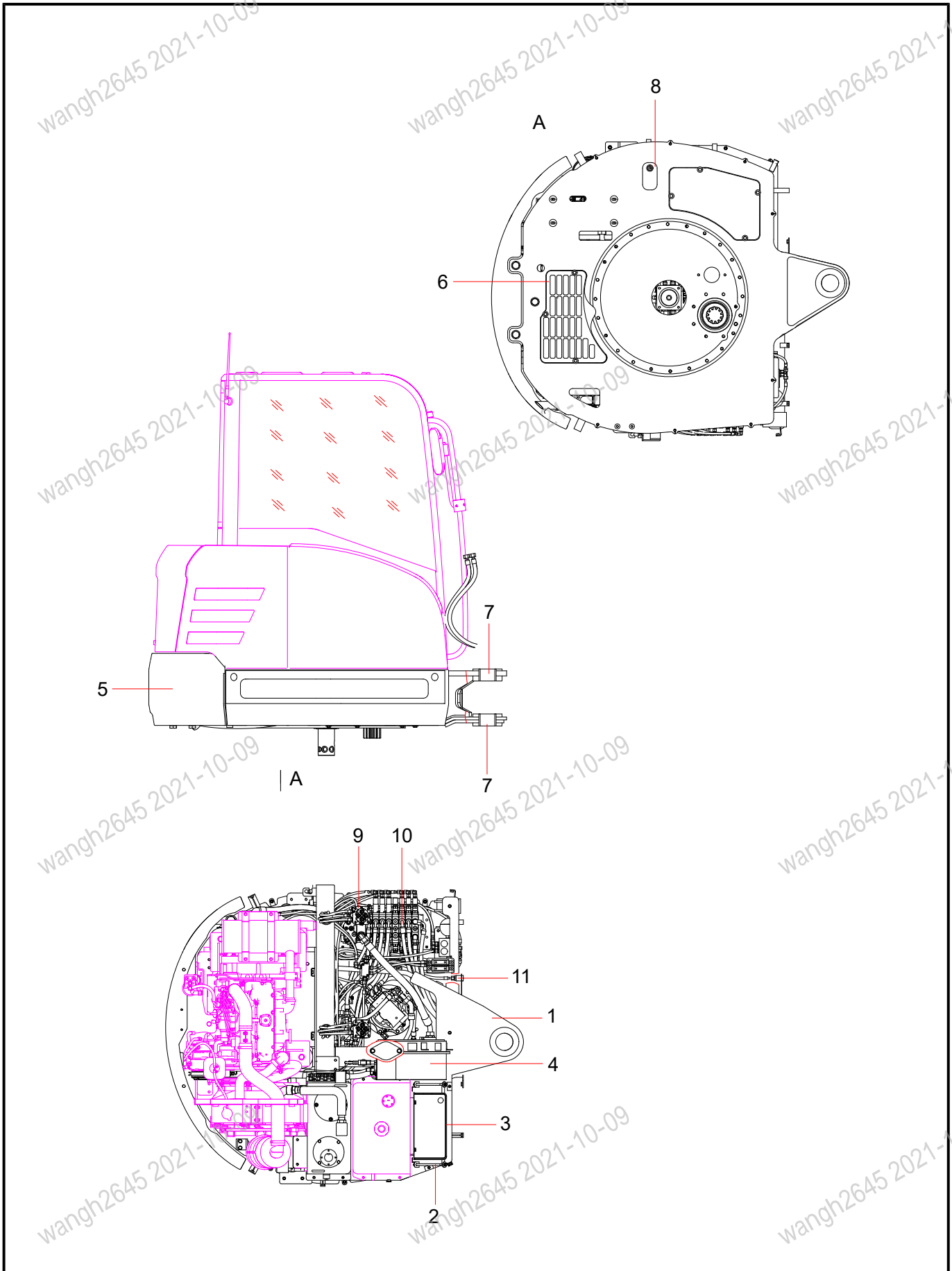


INDEX	PART NO.	DESCRIPTION	QTY	SEE PAGE
1	14129321	Superstructure assembly (EU CAB)	1	2-2
2	13946174	Travel device	1	3-2
3	14412686	Working Device	1	4-2
4		CAB	1	5-2
5		Cover	1	6-2
6		Power system	1	7-2
7	13721596	Electrical assembly drawing	1	8-2
8	13722667	SY50C1Y4NU attached accessories	1	9-2
9	13721397	SANY logo mark	1	10-2



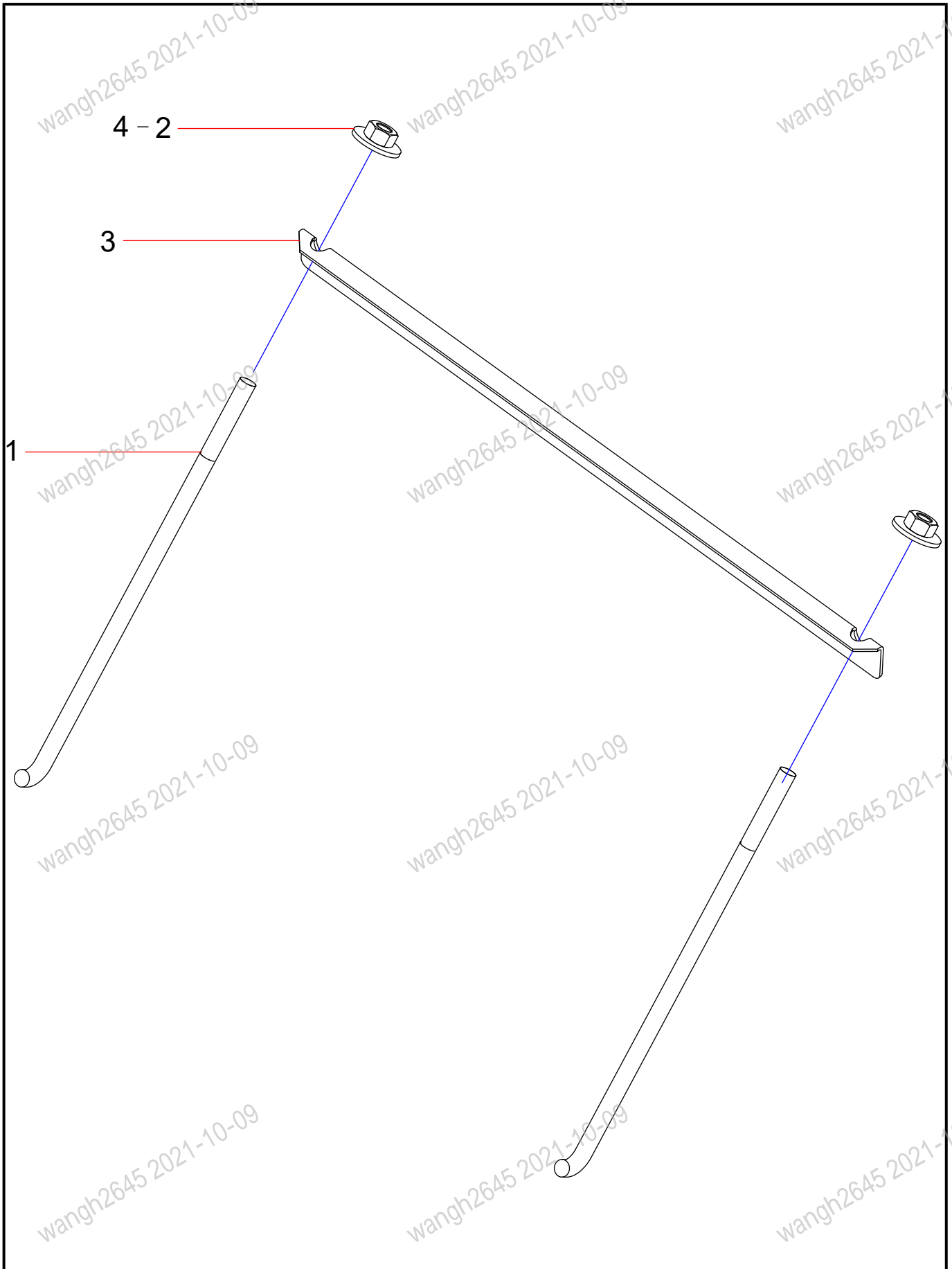
Group 2

Superstructure assembly (EU CAB)

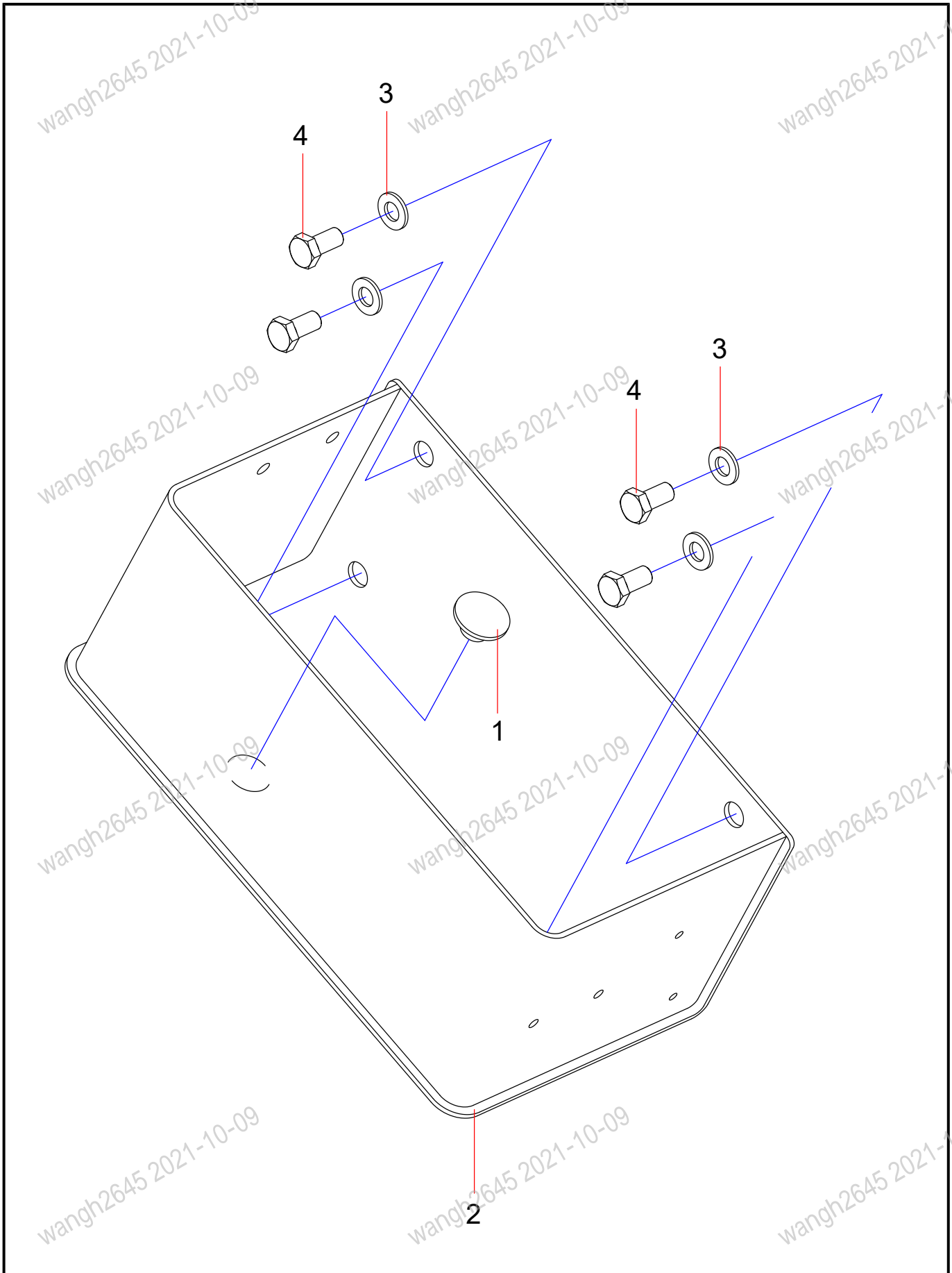


INDEX	PART NO.	DESCRIPTION	QTY	SEE PAGE
1	14262171	revolving frame	1	
2	13275271	battery fixed component	1	2-4
3	13719777	Toolbox	1	2-6
4		air condition	1	2-8
5		counterweight assembly	1	2-14
6		bottom sealing board	1	2-16
7	13721367	Shaft Sleeve	2	
8	13721354	axis pin component	1	2-18
9		Pilot pipeline	1	2-20
10		Hydraulic main pipeline	1	2-58
11	13719123	slewing device accessory	1	2-136

13275271 battery fixed component

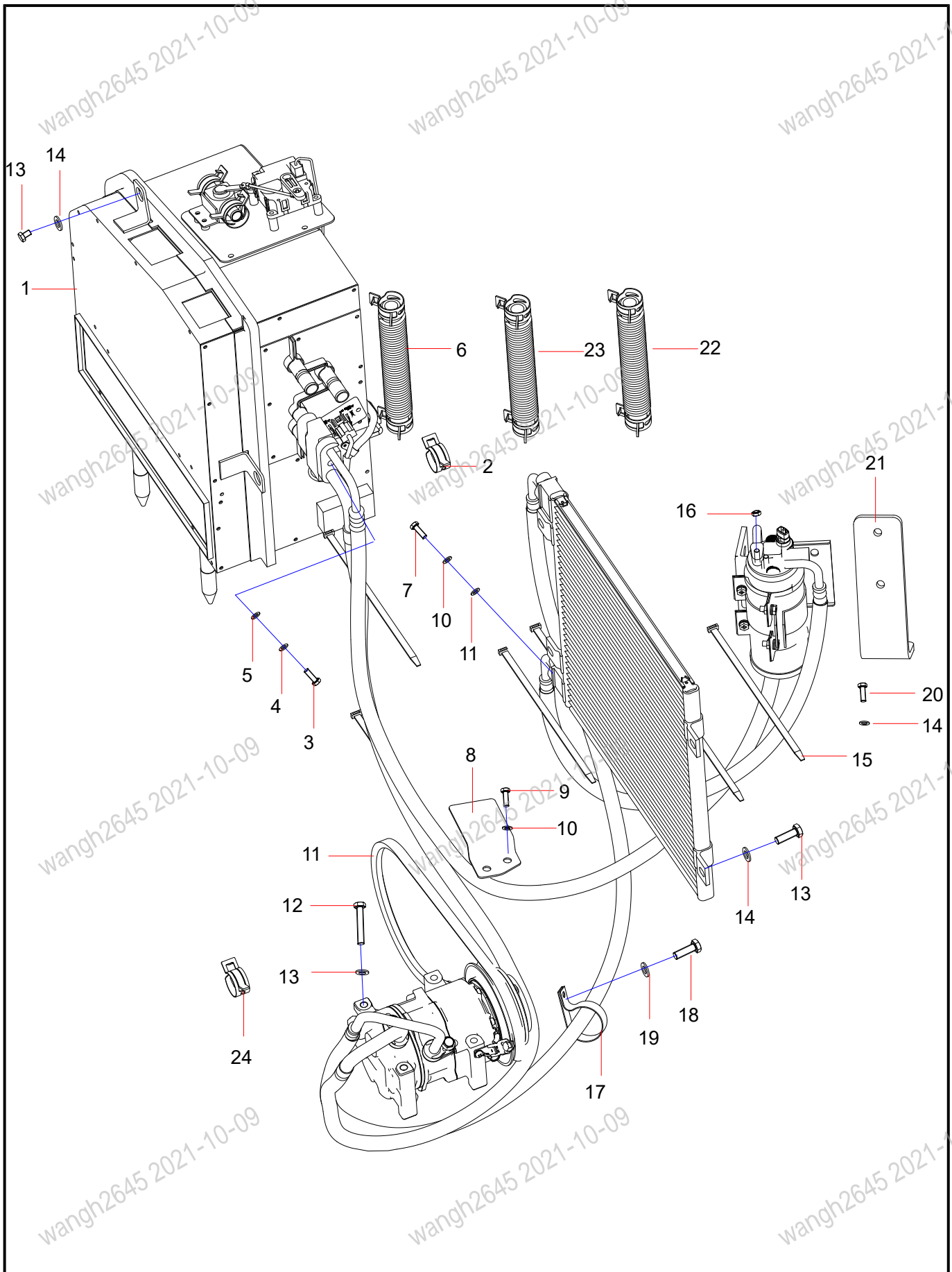


INDEX	PART NO.	DESCRIPTION	QTY	SEE PAGE
1	13275270	guide screw	2	
2	A210404000003	Washer	2	
3	13275269	battery fixed plate	1	
4	A210307000017	Nut	2	

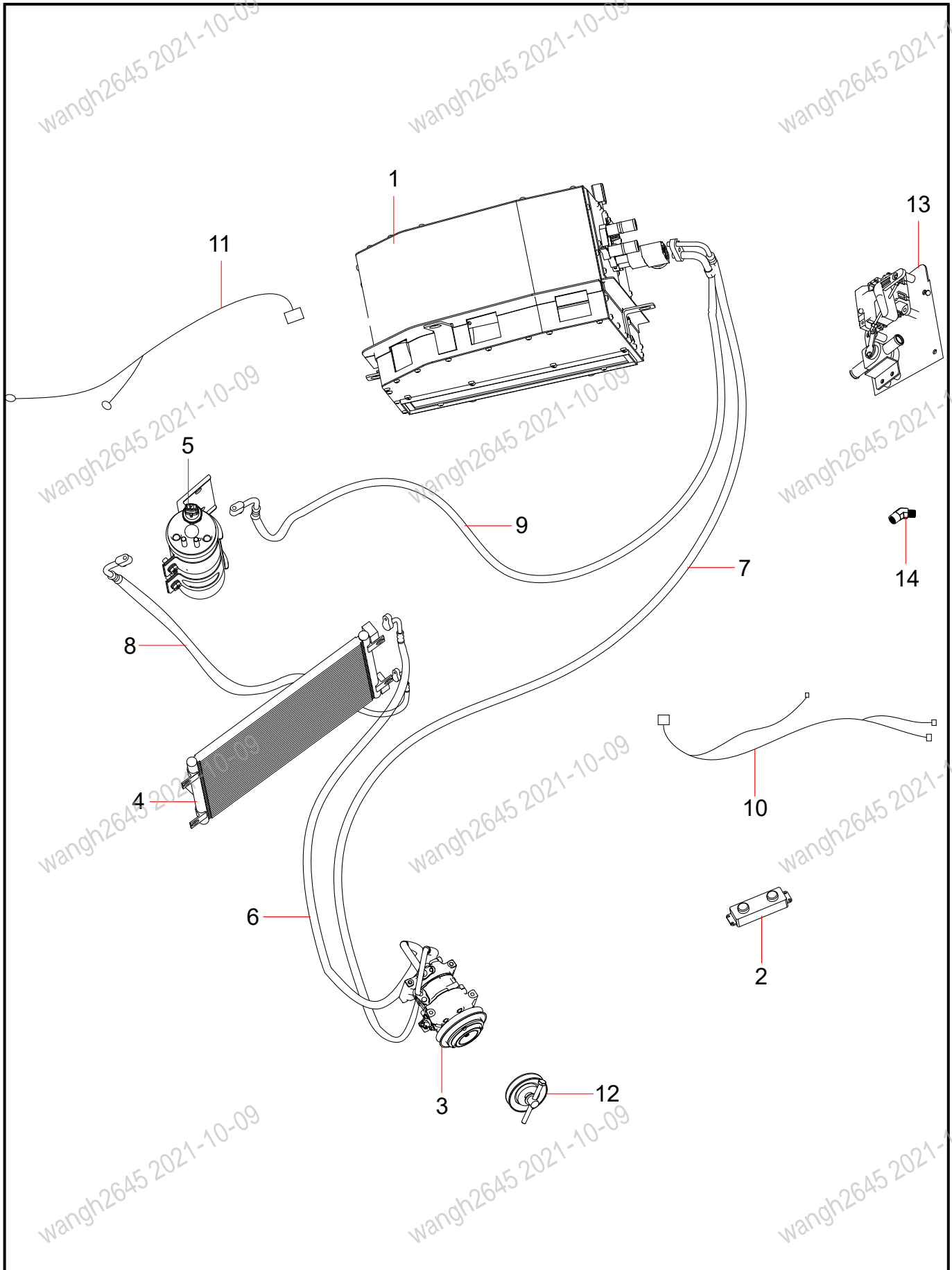


INDEX	PART NO.	DESCRIPTION	QTY	SEE PAGE
1	11039416	rubber plug screw	1	
2	13275284	Toolbox	1	
3	24000637	Washer	4	
4	A210111000012	Bolt	4	

air condition



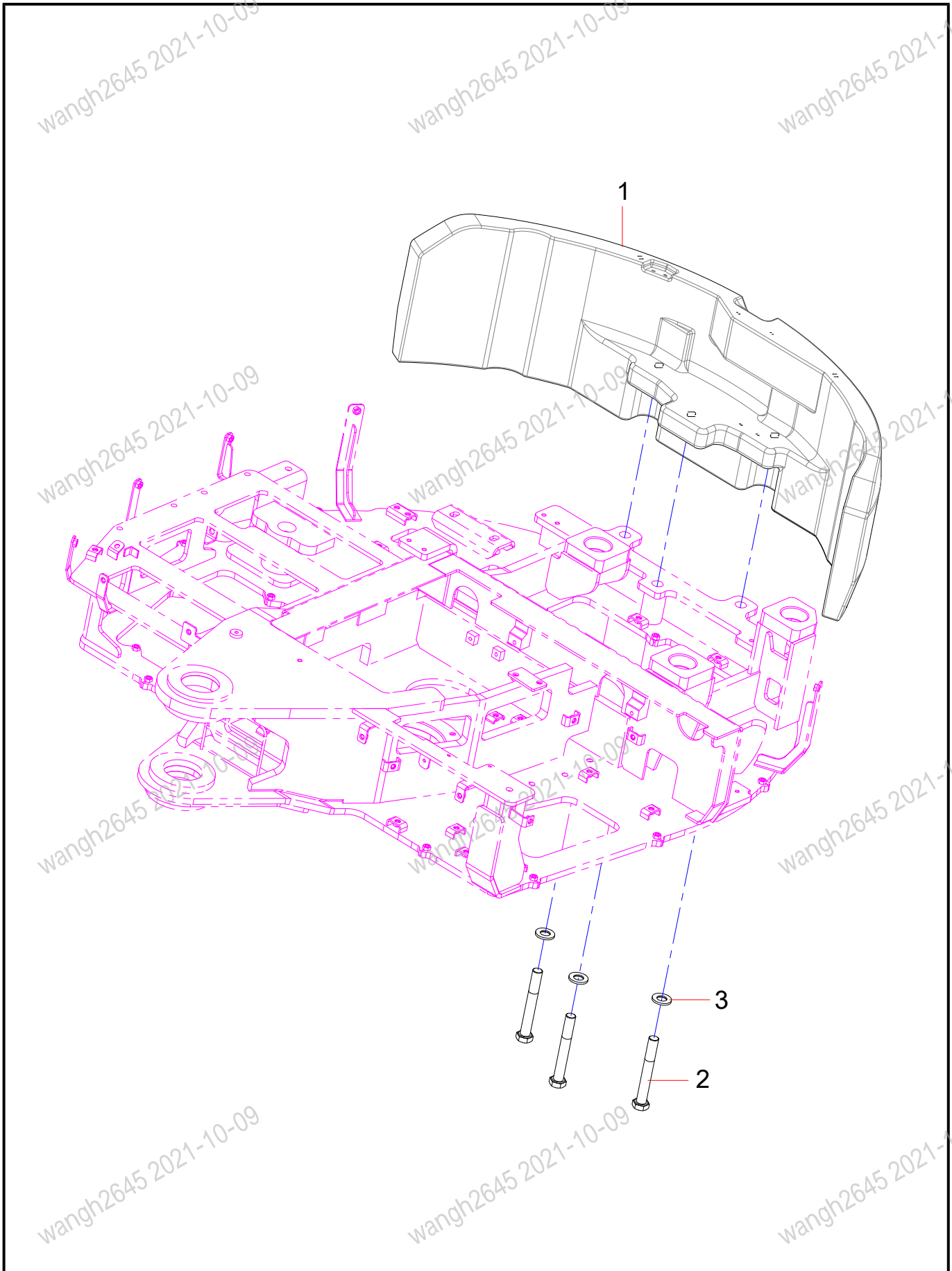
INDEX	PART NO.	DESCRIPTION	QTY	SEE PAGE
1	61017618	Air conditioning assembly	1	2-10
2	60166393	Split Flow Gear Pump	4	
3	24002251	Screw	1	
4	60060564	Washer	3	
5	24000632	Washer	9	
6	13528968	Pipe	1	
7	A210111000079	Bolt	6	
8	13804264	compressor protective plate	1	
9	A210111000343	Bolt	8	
10	24000633	Washer	12	
11	60013968	Belt	1	
12	A2101110000253	Bolt	4	
13	24000639	Washer	3	
14	A210111000202	Bolt	3	
15	A2399000000065	Nylon Belting	10	
16	23000169	Nut	2	
17	60208141	The Fixity of Line	4	
18	A210204000334	Screw	4	
19	24000637	Washer	6	
20	A210111000197	Bolt	2	
21	11141695	Mounting rack for drying bottle	1	
22	14126313	Pipe	1	
23	SSY004584978	Pipe, hot pipe, air conditioner	1	
24	60086355	Clamp	1	



INDEX	PART NO.	DESCRIPTION	QTY	SEE PAGE
1	61017789	HVAC	1	2-12
2	60242100	CONTROL UNIT	1	
3	60242101	COMPRESSOR ASSY	1	
4	60242102	CONDENSER ASSY	1	
5	60242103	RECEIVER DRIER ASSY	1	
6	60279434	exhaust hose assembly	1	
7	60279435	Suction hose assembly	1	
8	60279436	outlet tube assembly of condenser	1	
9	60279437	outlet tube assembly of drying bottle	1	
10	60242108	WIRE HARNESS ASSY-EXT	1	
11	60242109	Wire harness assy-ext	1	
12	60030552	BRKT ASSY-T/PULLEY MTG	1	
13	61031185	Valve	1	
14	60056554	Hot water adaptor	1	

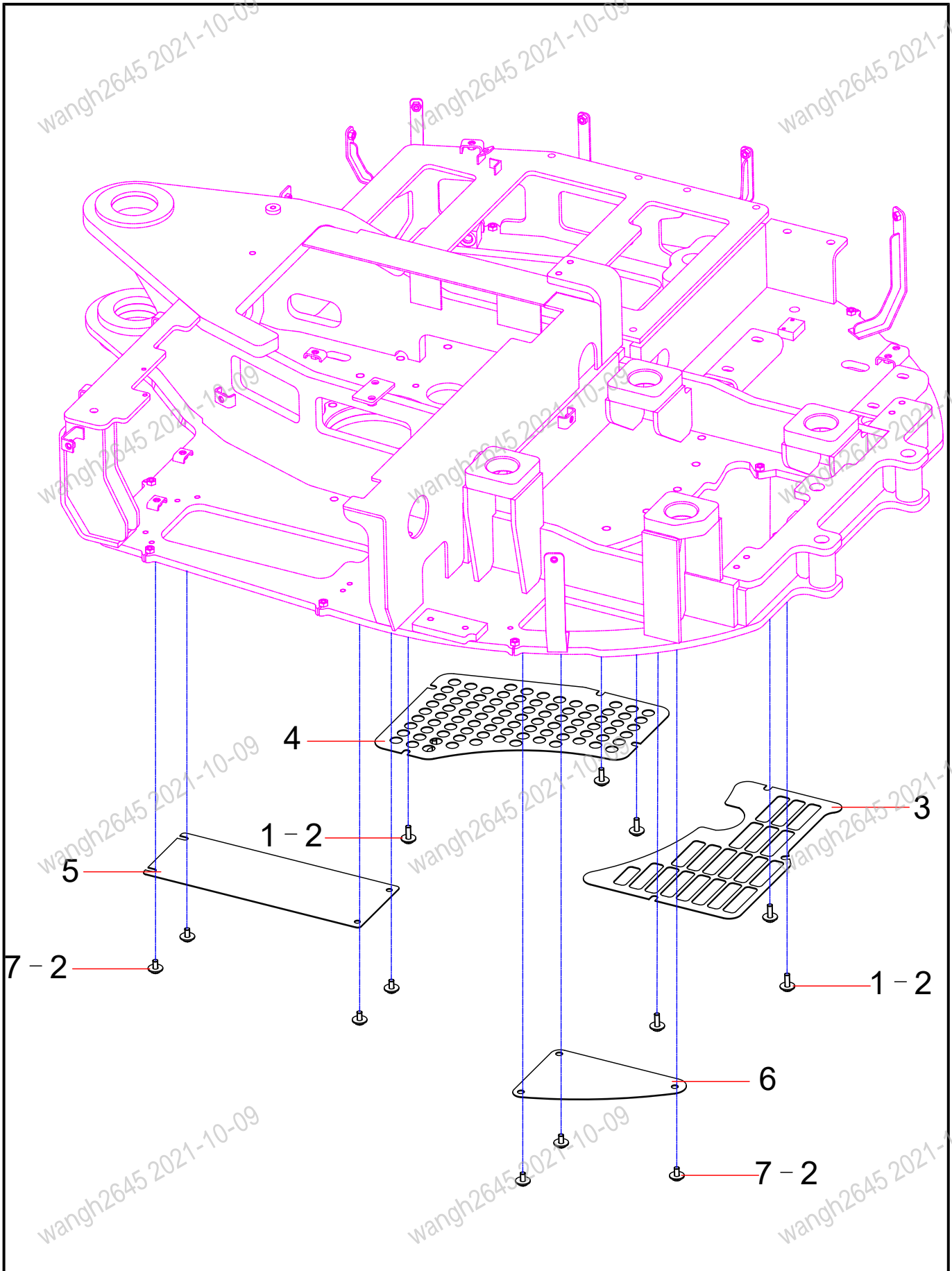
INDEX	PART NO.	DESCRIPTION	QTY	SEE PAGE
1	61031165	Case front	1	
2	61031166	Case rear	1	
3	61031167	Case rh	1	
4	61031168	Cover pipe	1	
5	61031169	Case	1	
6	61031170	Case	1	
7	61031171	Cover	1	
8	60344874	Heater core	1	
9	61031172	Evaporator	1	
10	60273382	Expantion valve	1	
11	60190276	SENSOR ASS'Y-EVAP	1	
12	61031173	Case Blower Motor Support	1	
13	60344876	Blower motorbracket	1	
14	61031174	Filter	1	
15	61031175	Cover Filter	1	
16	61031176	Drain Hose	1	
17	61031177	Drain Hose	1	
18	61031178	Clip	2	
19	61031179	Lining	3	
20	61031180	Lining	1	
21	61031181	Lining	1	
22	60215891	resistor assy	1	
23	60344877	Wire	1	
24	60215890	clip	2	
25	61031182	Clip	3	
26	61031183	Clip	4	

counterweight assembly



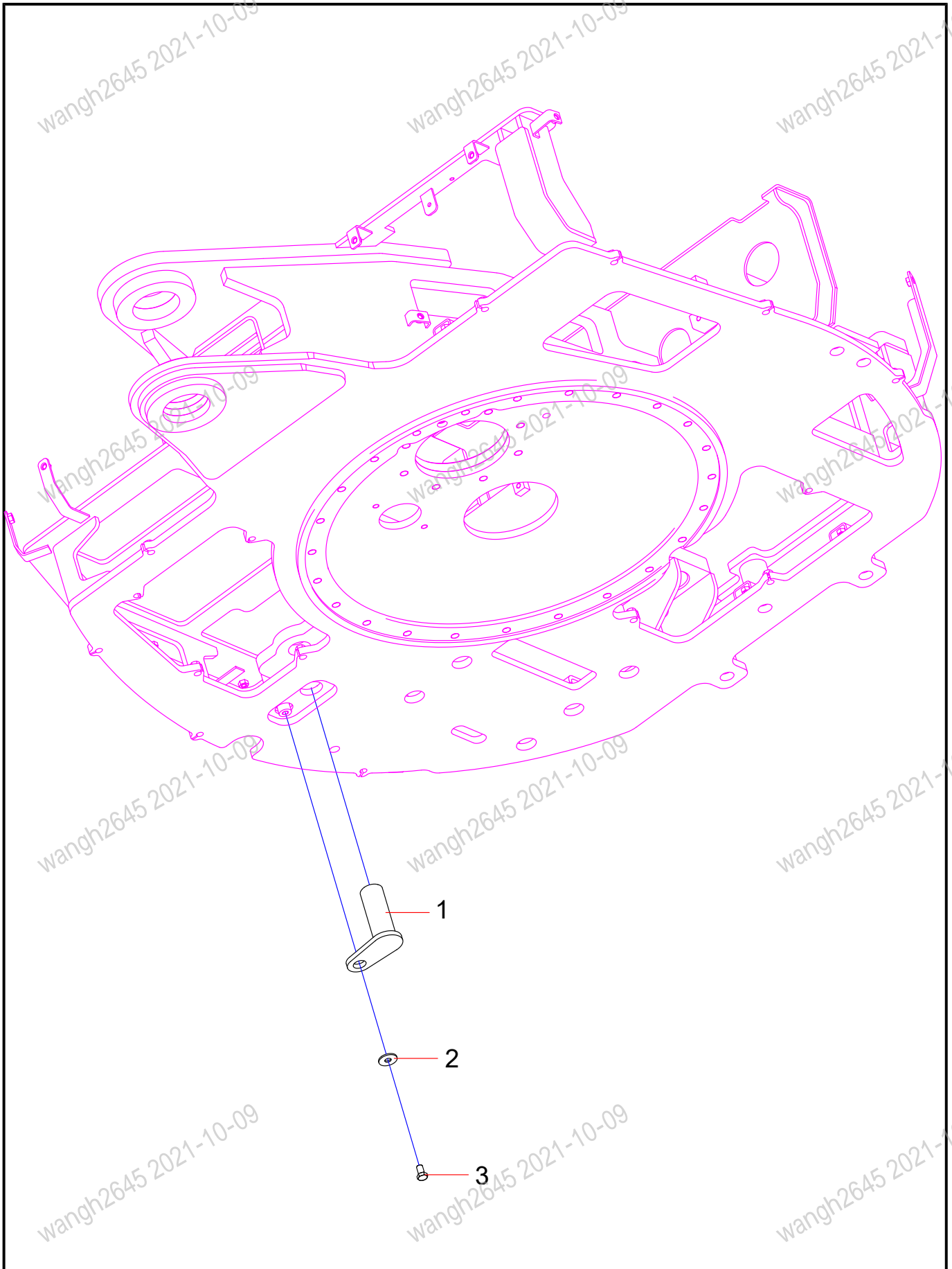
INDEX	PART NO.	DESCRIPTION	QTY	SEE PAGE
1	13712953	counter weight	1	
2	A210110000330	Bolt	3	
3	A210491000122	Washer	3	

bottom sealing board

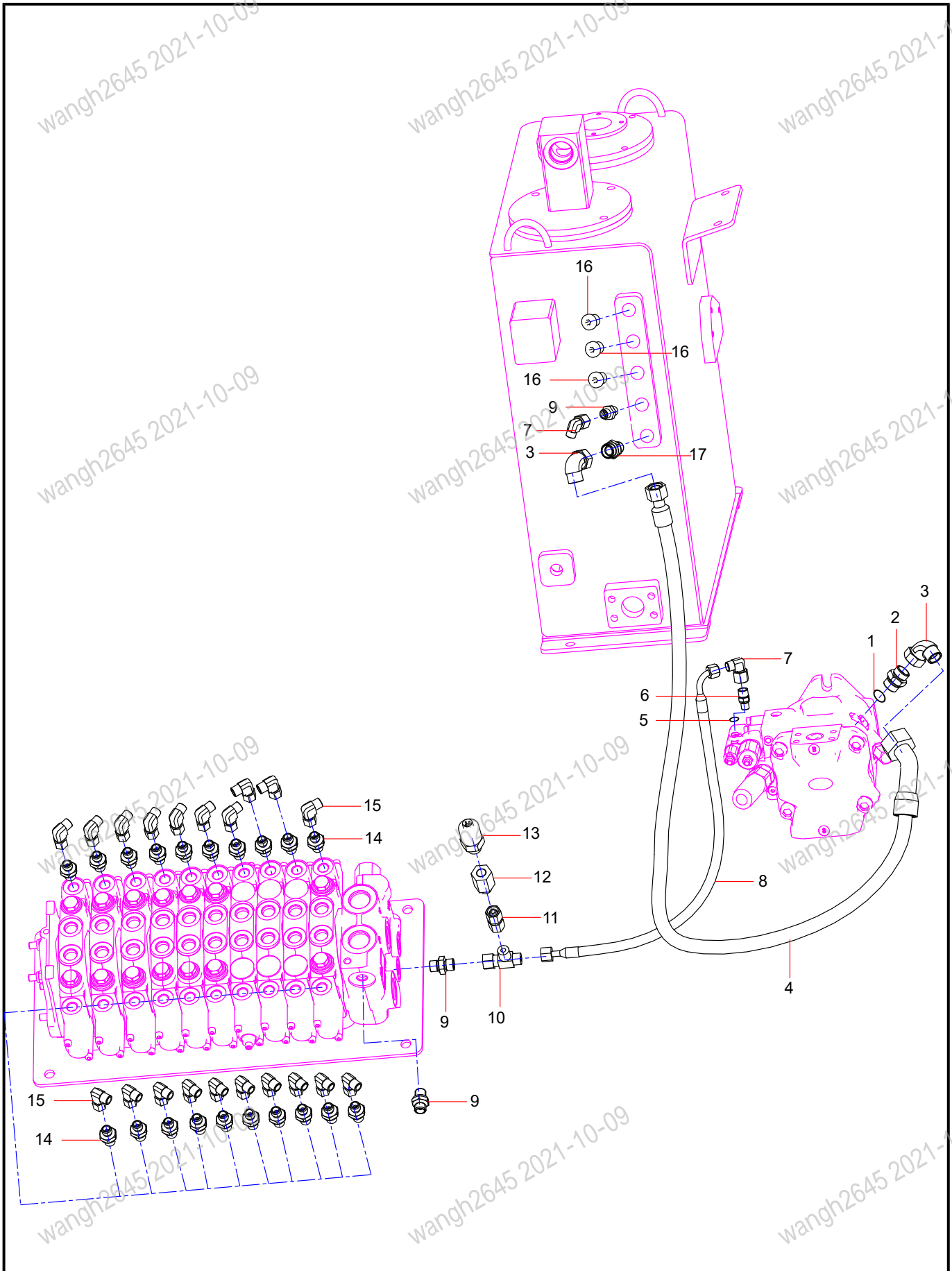


INDEX	PART NO.	DESCRIPTION	QTY	SEE PAGE
1	A210111000024	Bolt	7	
2	60060546	Washer	14	
3	14126404	rear seal plate	1	
4	13275305	right sealing board	1	
5	14284028	left sealing board	1	
6	14350450	left rear sealing plate	1	
7	A210111000012	Bolt	7	

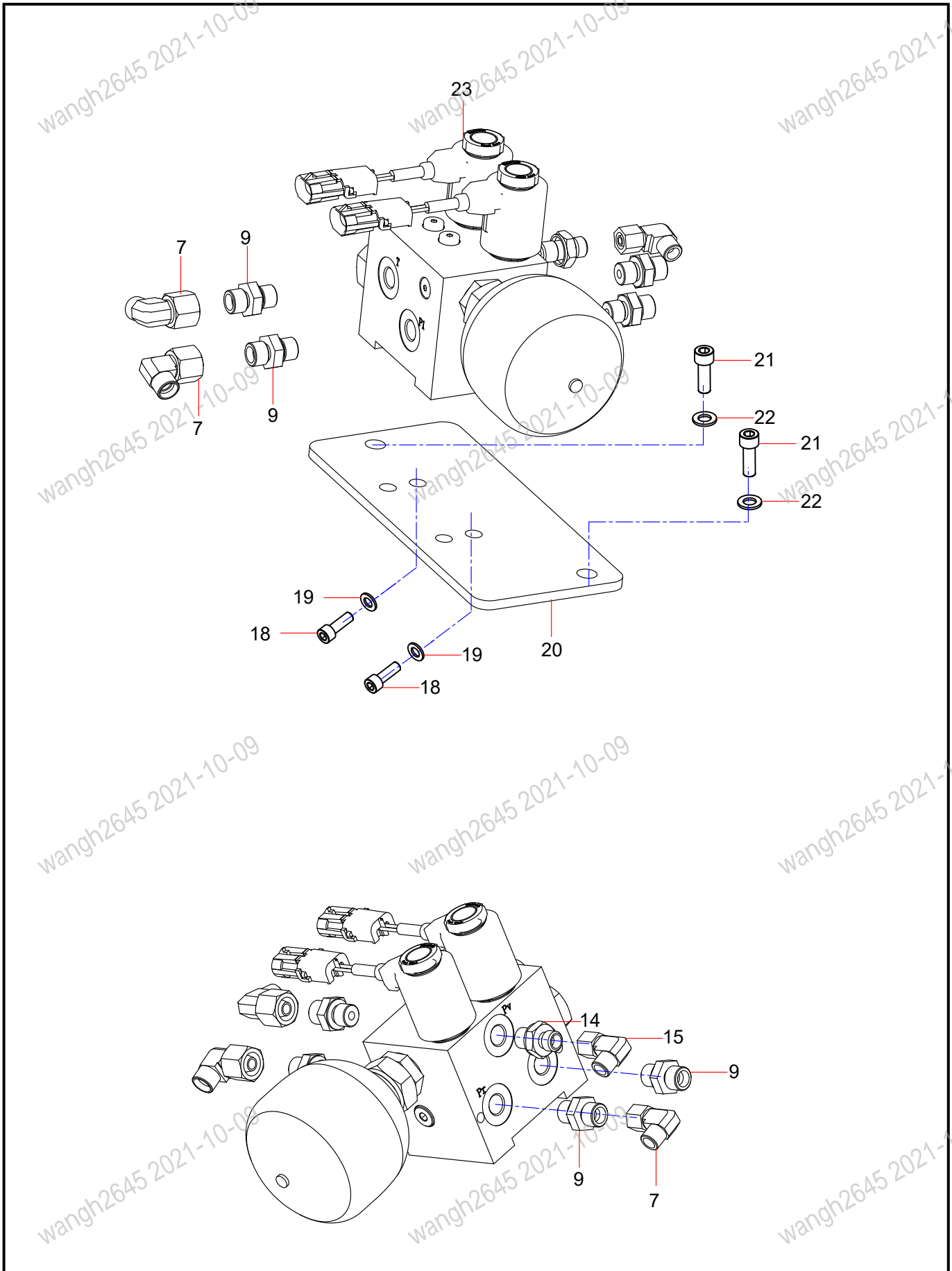
13721354 axis pin component



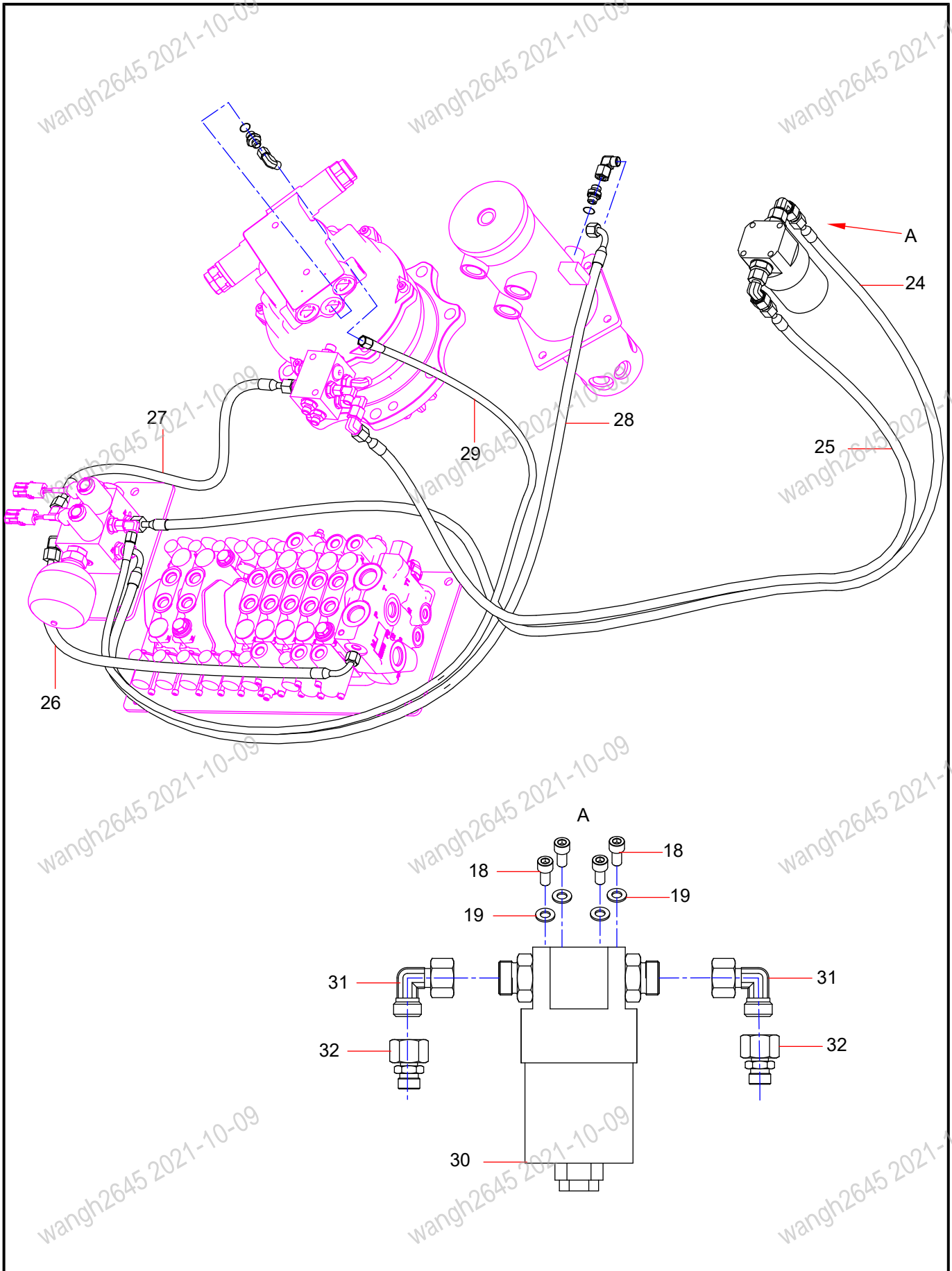
INDEX	PART NO.	DESCRIPTION	QTY	SEE PAGE
1	13721356	Brace piece axial pin	1	
2	60060548	Washer	1	
3	A210111000199	Bolt	1	



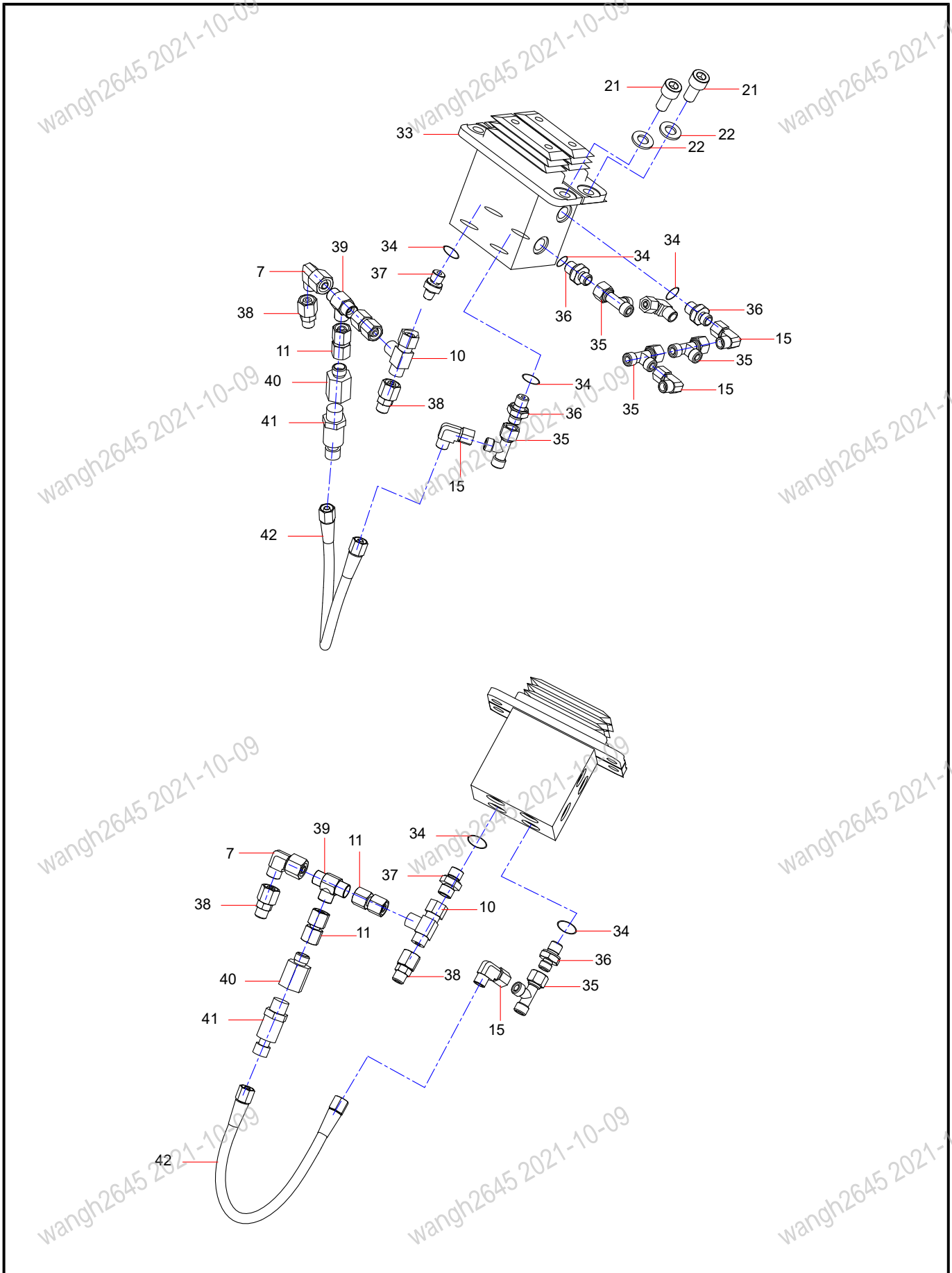
INDEX	PART NO.	DESCRIPTION	QTY	SEE PAGE
1	A210608000046	O-ring	1	
2	B210780000587	Fitting, Adapter	1	
3	B210780000025	Fitting, Elbow	2	
4	60207483	Hose	1	
5	23001922	O-ring	1	
6	B210780000142	Fitting	1	
7	B210780000418	Fitting, Elbow	9	
8	61022234	rubber hose	1	
9	B210780000176	Fitting	10	
10	B210780000170	Three Way Combination Joint	6	
11	B210780001045	Fitting	5	
12	A820205001061	Pressure Sensor Connector	1	
13	60114799	Pressure Sensor	1	
14	B210780000823	Fitting	44	
15	23904681	Pipe Connector	45	
16	B210780000164	Screw Plug	5	
17	B210780000042	End Straight Connector	1	



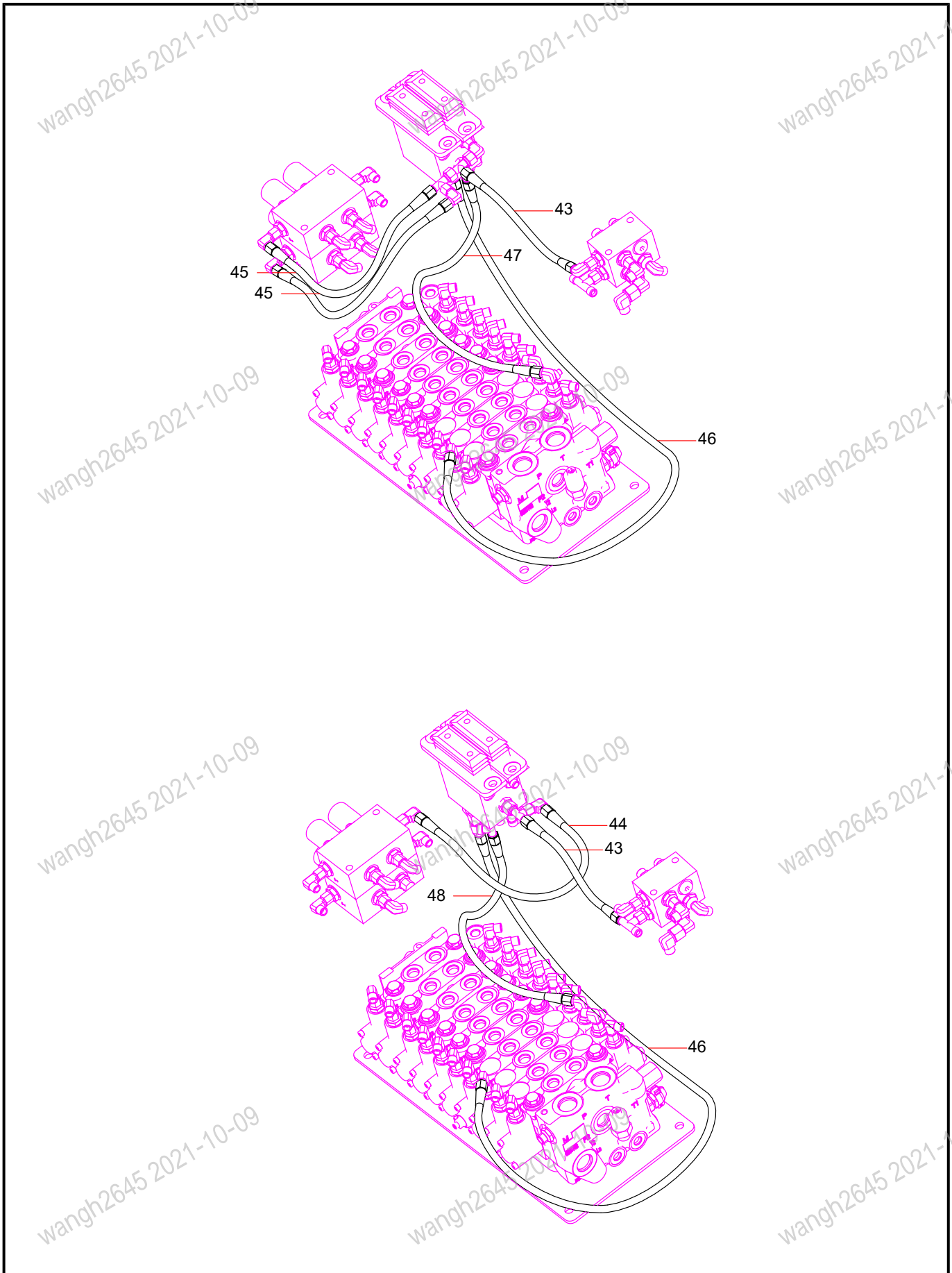
INDEX	PART NO.	DESCRIPTION	QTY	SEE PAGE
7	B210780000418	Fitting, Elbow	9	
9	B210780000176	Fitting	10	
14	B210780000823	Fitting	44	
15	23904681	Pipe Connector	45	
18	A210204000220	Screw	6	
19	24000633	Washer	16	
20	14053272	electromagnetic switch fix plate	1	
21	A210204000196	Screw	6	
22	A210491000120	Washer	6	
23	60342181	Electromagnetic reversal valve	1	2-42



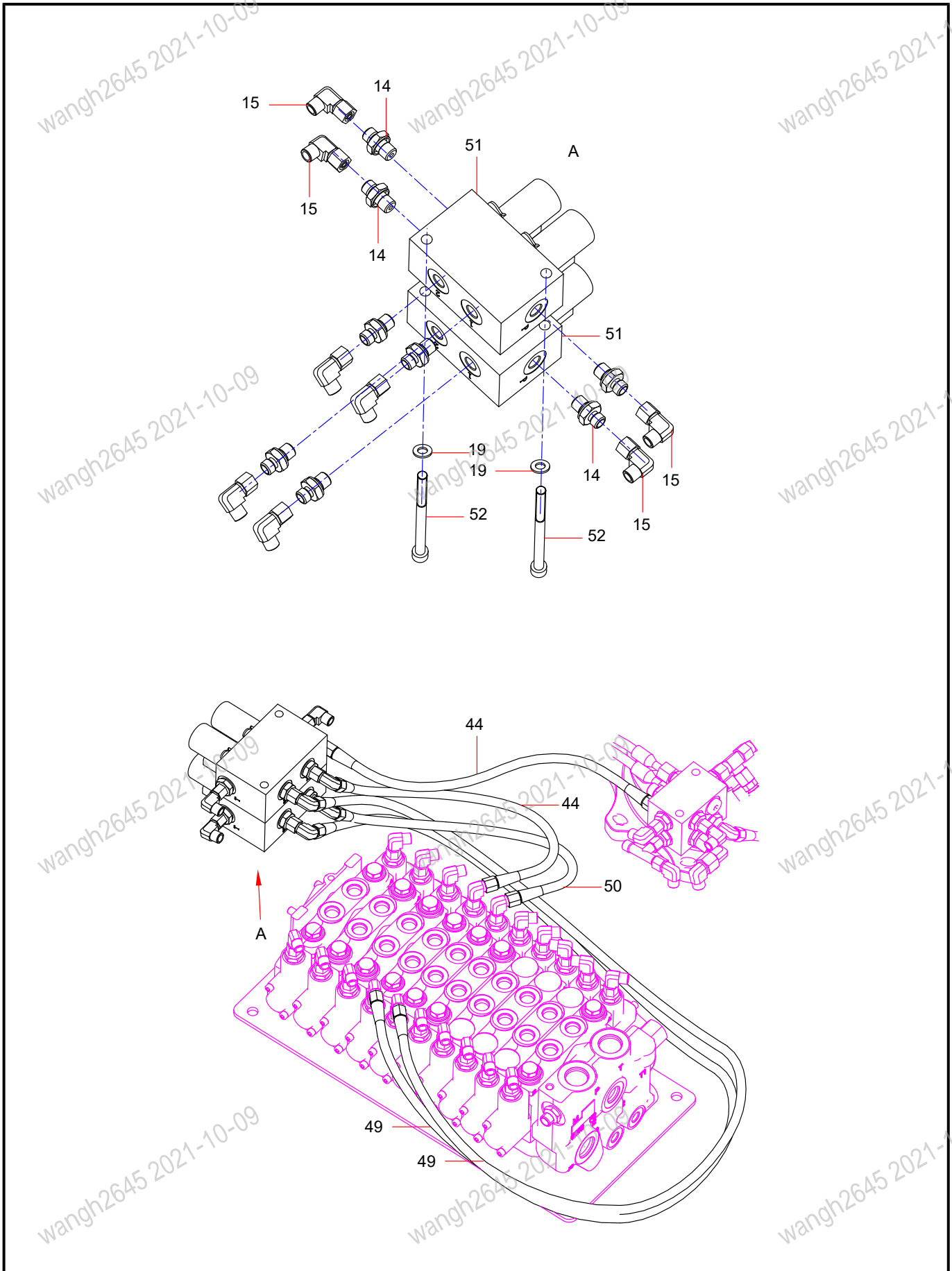
INDEX	PART NO.	DESCRIPTION	QTY	SEE PAGE
18	A210204000220	Screw	6	
19	24000633	Washer	16	
24	23905361	Rubber Hose	1	
25	61022235	rubber hose	1	
26	B230103007529	Rubber Hose	1	
27	23905413	Rubber Hose	1	
28	B230103000886	Hose AS	1	
29	60120213	Rubber Hose	1	
30	60211330	Filter	1	2-44
31	B210780000024	Fitting, Elbow	2	
32	B210780000827	Connector Pipe	2	



INDEX	PART NO.	DESCRIPTION	QTY	SEE PAGE
7	B210780000418	Fitting, Elbow	9	
10	B210780000170	Three Way Combination Joint	6	
11	B210780001045	Fitting	5	
15	23904681	Pipe Connector	45	
21	A210204000196	Screw	6	
22	A210491000120	Washer	6	
33	60129665	Pilot-control Valve	1	2-46
34	B230101000047	O-ring	8	
35	B210780000014	Pipe Connector	5	
36	21011540	Pipe Connector	5	
37	21002815	Fitting	3	
38	60136966	Pipe Connector	7	
39	B220400000169	Valve, Shuttle, Tee	2	
40	A820205000944	Relay Adaptor	2	
41	A240700000548	Pressure Relay	2	
42	60255796	RubberHose	2	

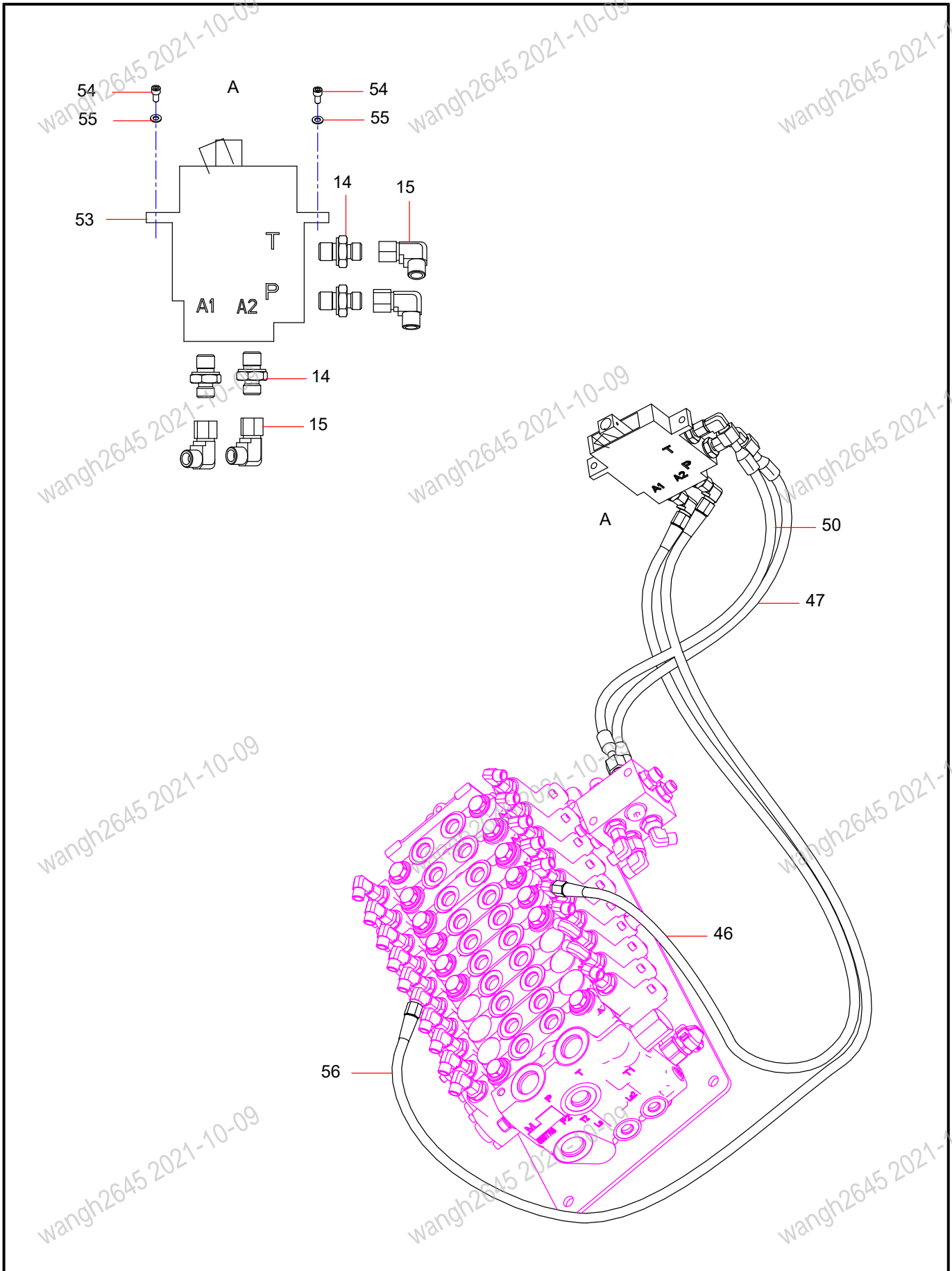


INDEX	PART NO.	DESCRIPTION	QTY	SEE PAGE
43	60270116	Rubber Hose	2	
44	60262326	rubber hose	3	
45	60332524	Rubber Hose	2	
46	60120210	Rubber Hose	3	
47	60240240	rubber hose	2	
48	60332525	rubber hose	1	

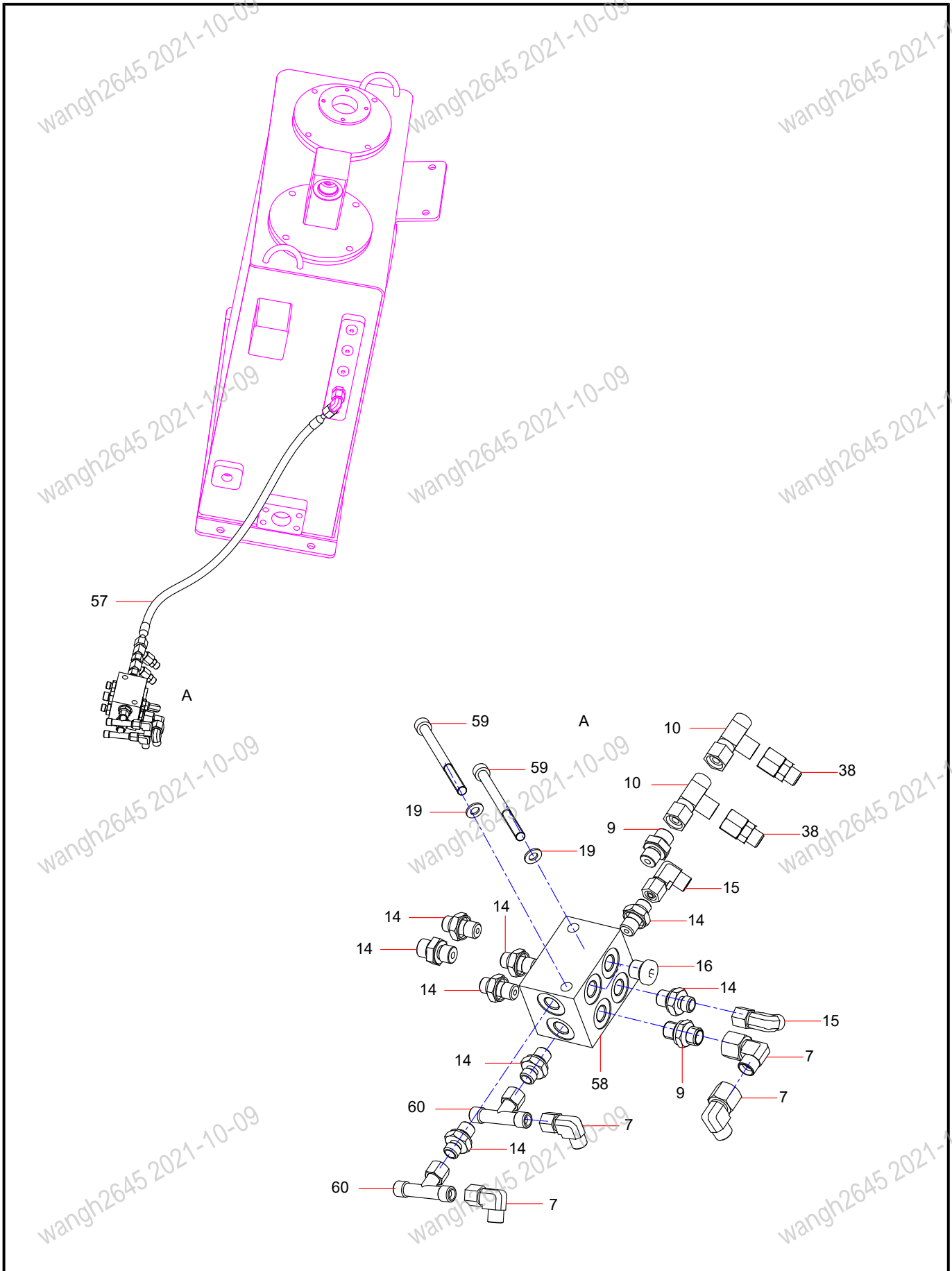


INDEX	PART NO.	DESCRIPTION	QTY	SEE PAGE
14	B210780000823	Fitting	44	
15	23904681	Pipe Connector	45	
19	24000633	Washer	16	
44	60262326	rubber hose	3	
49	60240242	rubber hose	3	
50	60323298	Rubber Hose	2	
51	60281431	Proportional Electromagnetic Valve	2	2-50
52	A210204000271	Screw	2	

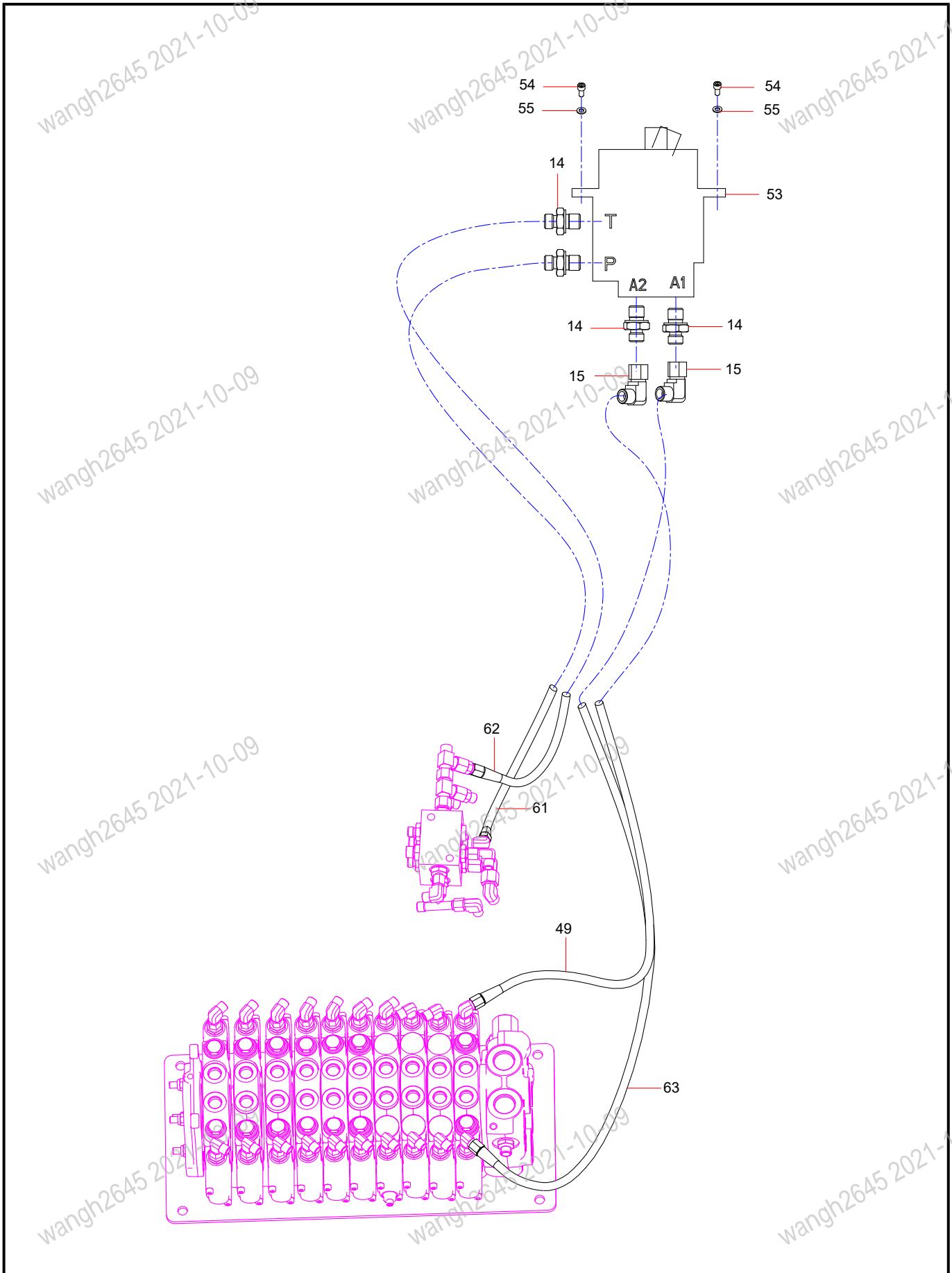
Pilot pipeline (7/11)



INDEX	PART NO.	DESCRIPTION	QTY	SEE PAGE
14	B210780000823	Fitting	44	
15	23904681	Pipe Connector	45	
46	60120210	Rubber Hose	3	
47	60240240	rubber hose	2	
50	60323298	Rubber Hose	2	
53	60281974	Pilot-control Valve	2	2-52
54	60249819	Screw	12	
55	24000632	Washer	12	
56	60262327	rubber hose	4	

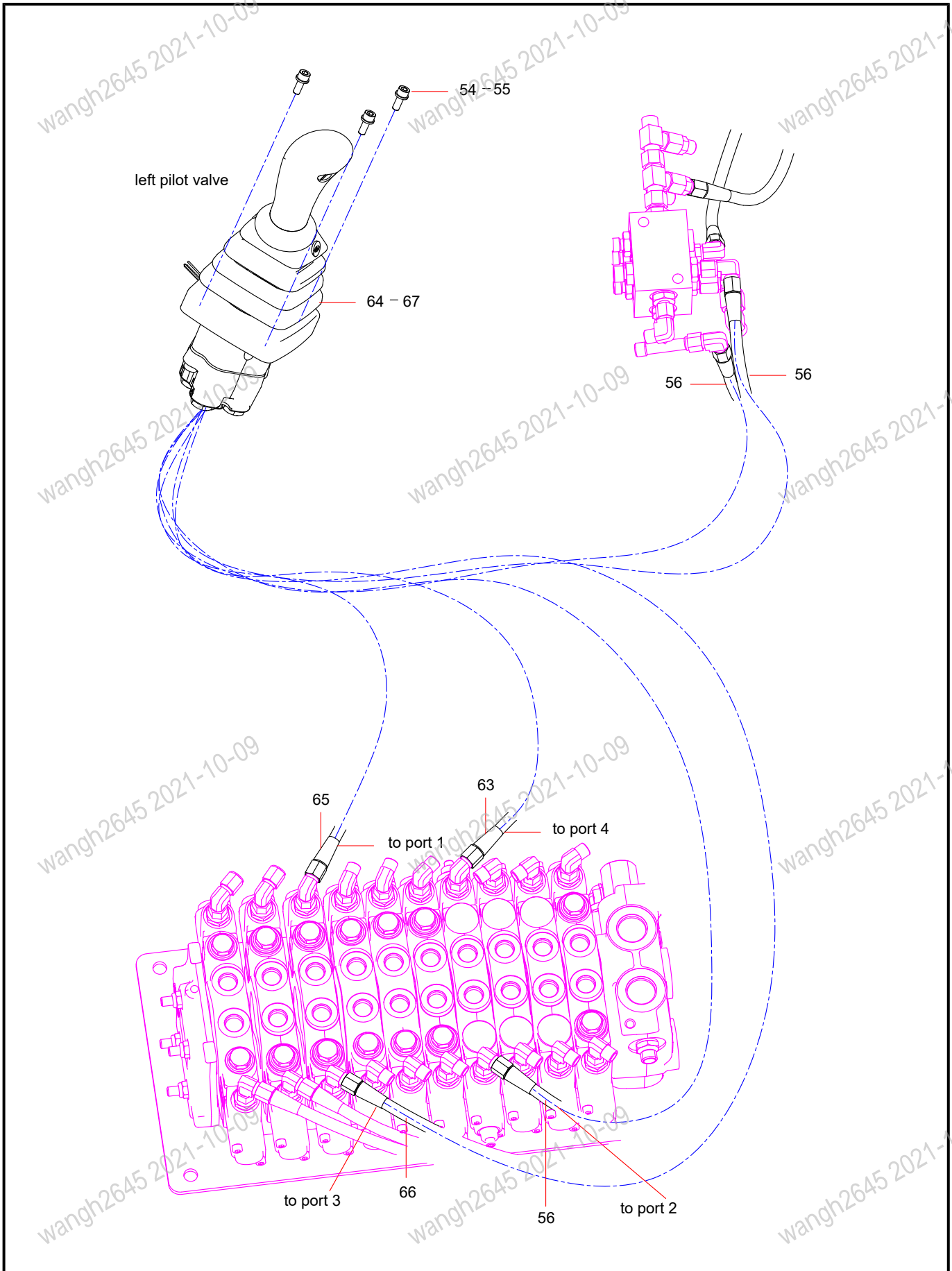


INDEX	PART NO.	DESCRIPTION	QTY	SEE PAGE
7	B210780000418	Fitting, Elbow	9	
9	B210780000176	Fitting	10	
10	B210780000170	Three Way Combination Joint	6	
14	B210780000823	Fitting	44	
15	23904681	Pipe Connector	45	
16	B210780000164	Screw Plug	5	
19	24000633	Washer	16	
38	60136966	Pipe Connector	7	
57	60146932	Rubber Hose	1	
58	12053111	PT Block	1	
59	A210204000179	Screw	2	
60	60140964	Pipe Connector	2	

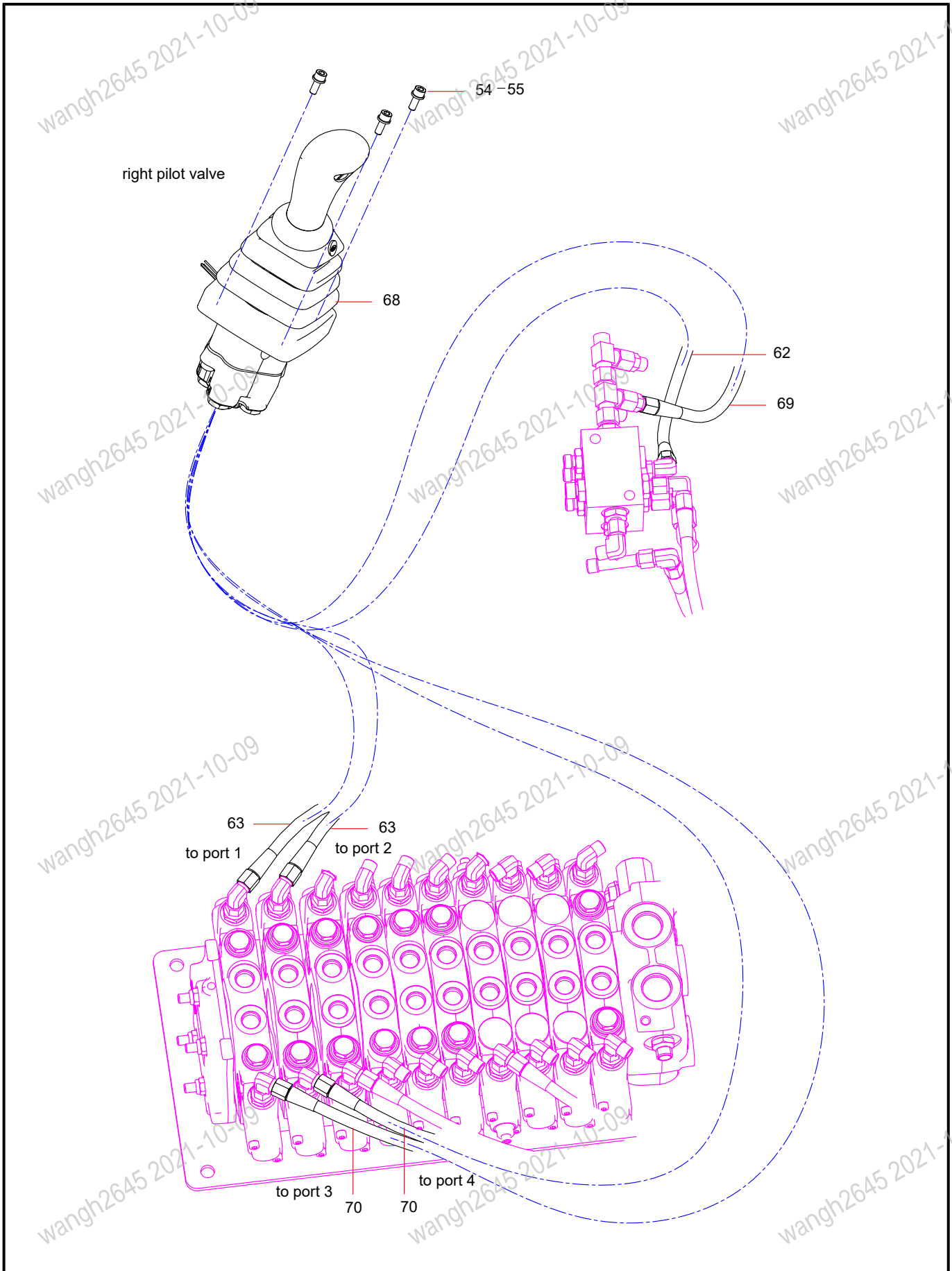


INDEX	PART NO.	DESCRIPTION	QTY	SEE PAGE
14	B210780000823	Fitting	44	
15	23904681	Pipe Connector	45	
49	60240242	rubber hose	3	
53	60281974	Pilot-control Valve	2	2-52
54	60249819	Screw	12	
55	24000632	Washer	12	
61	60120208	Rubber Hose	1	
62	60262329	rubber hose	2	
63	60262328	rubber hose	4	

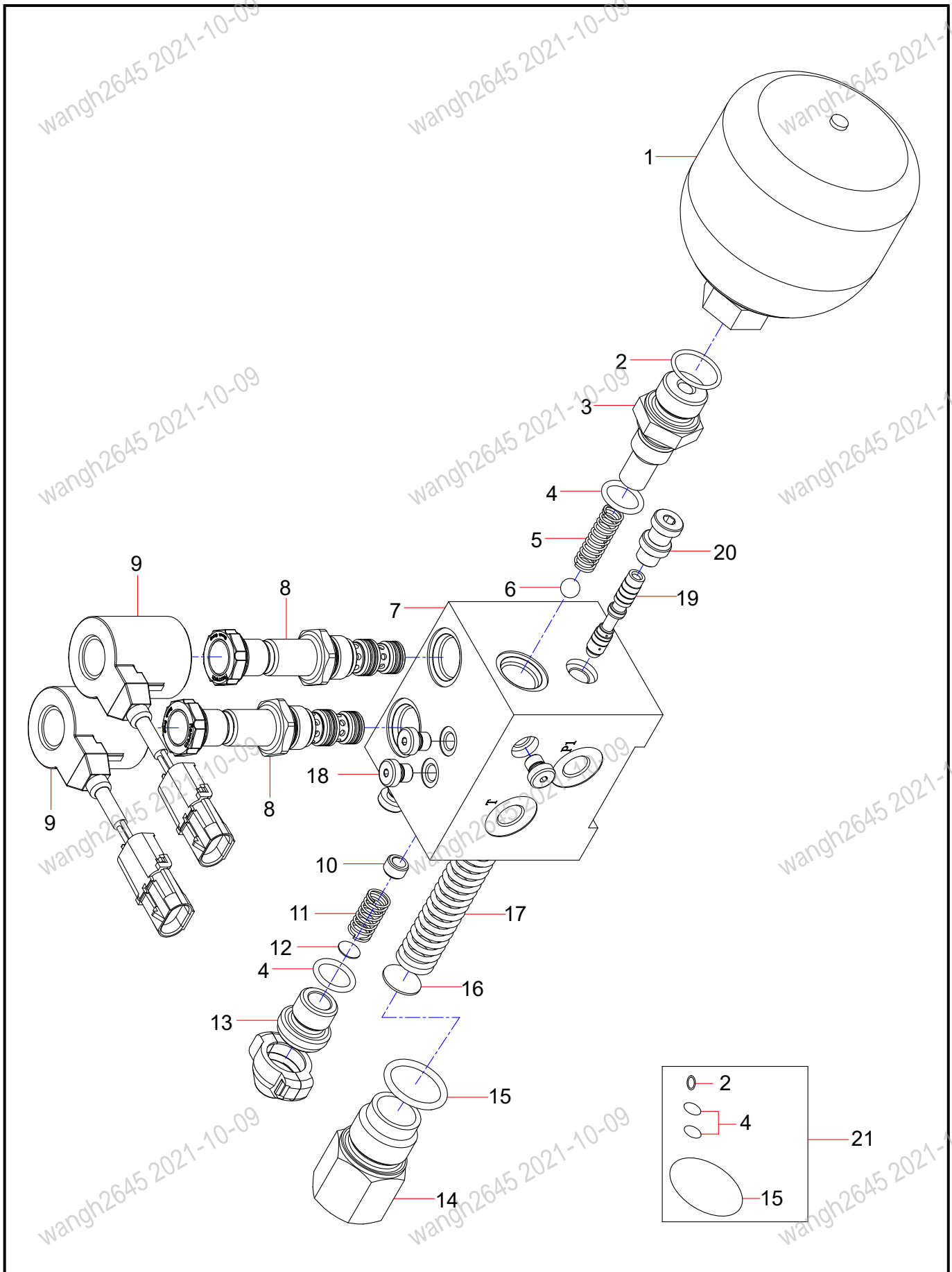
Pilot pipeline (10/11)



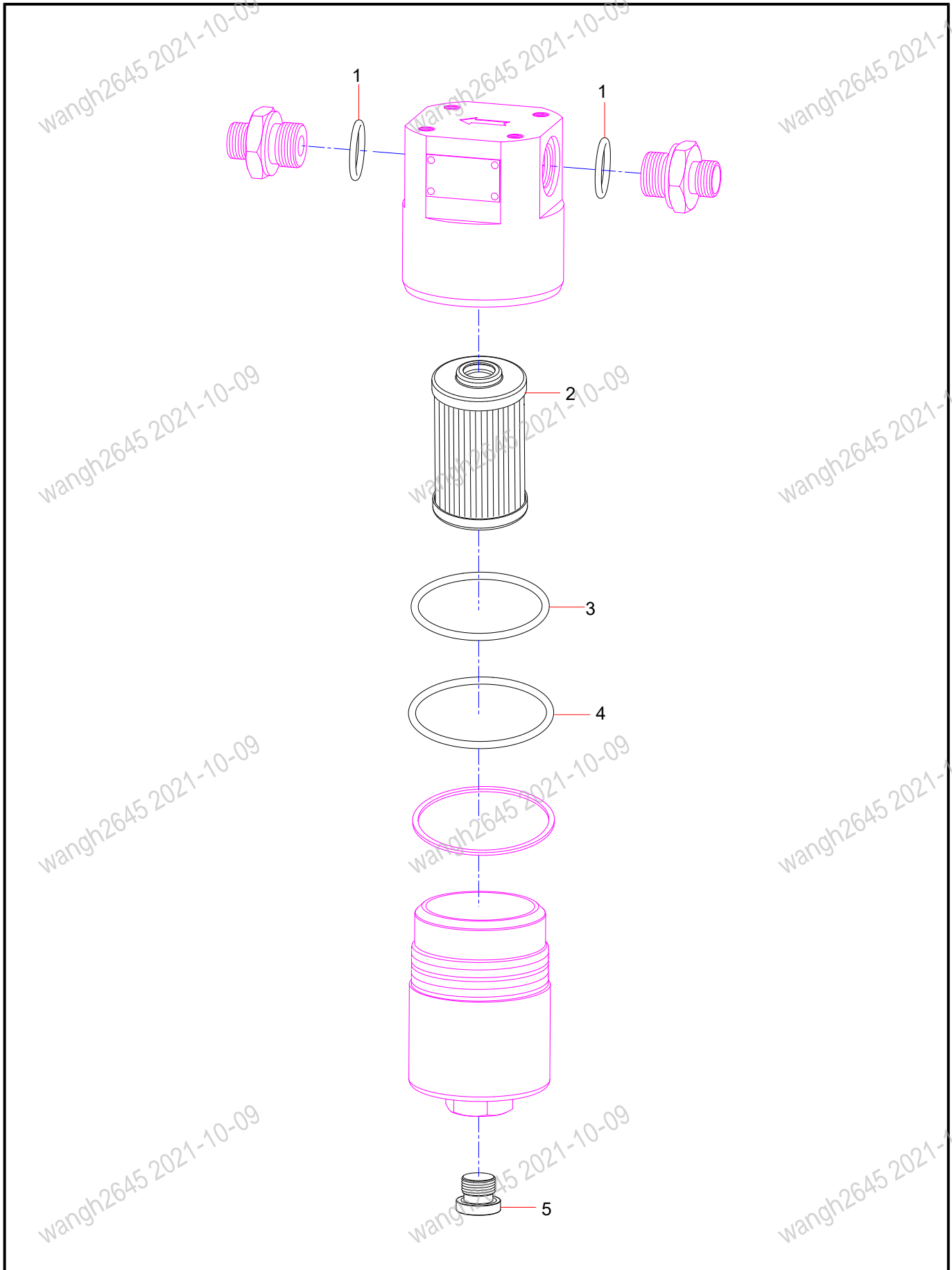
INDEX	PART NO.	DESCRIPTION	QTY	SEE PAGE
54	60249819	Screw	12	
55	24000632	Washer	12	
56	60262327	rubber hose	4	
63	60262328	rubber hose	4	
64	60352305	Pilot valve	1	2-54
65	60120216	Rubber Hose	1	
66	60120212	Rubber Hose	1	
67	60175301	Pipe Connector	6	



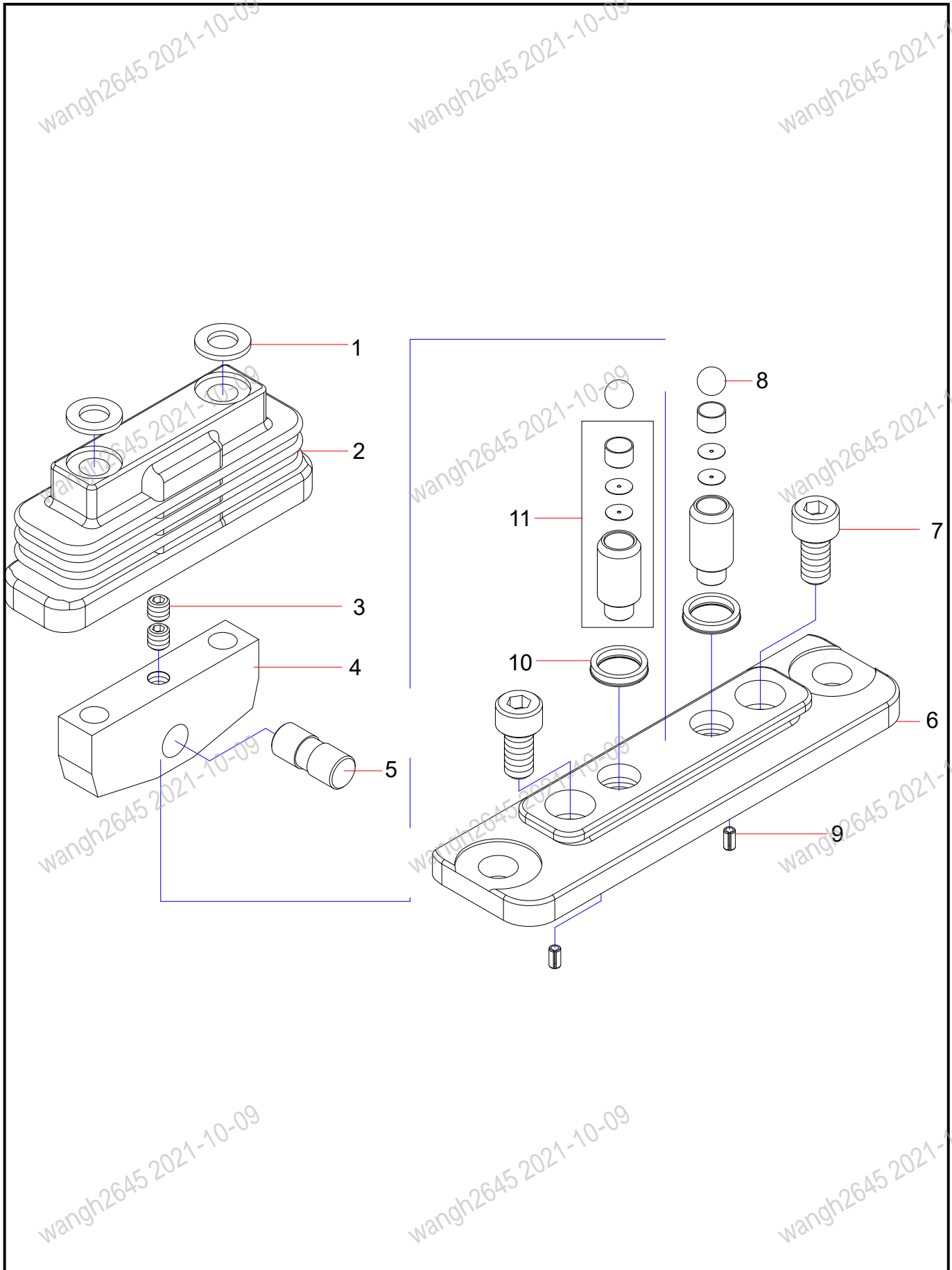
INDEX	PART NO.	DESCRIPTION	QTY	SEE PAGE
54	60249819	Screw	12	
55	24000632	Washer	12	
62	60262329	rubber hose	2	
63	60262328	rubber hose	4	
68	60352306	Pilot valve	1	2-56
69	60262330	rubber hose	1	
70	60120218	Rubber Hose	2	



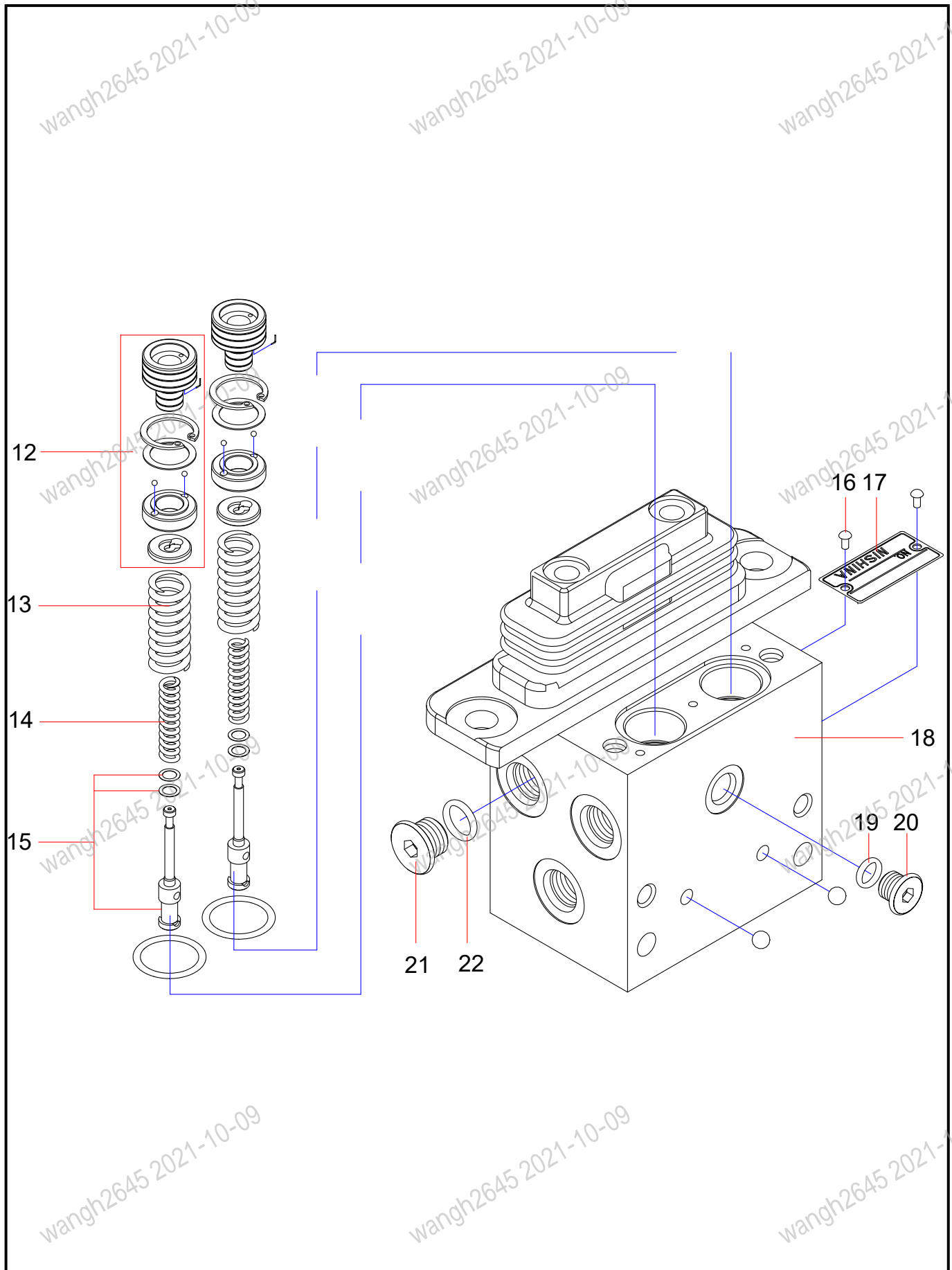
INDEX	PART NO.	DESCRIPTION	QTY	SEE PAGE
1	61016947	Accumulator	1	
2	61016949	O-Ring	1	
3	61016948	Accumulator connector	1	
4	61016952	O-Ring	2	
5	61016951	Spring	1	
6	61016950	Ball	1	
7	61016944	Mhste Housing	1	
8	61016945	Electromagnetic valve	2	
9	61016946	Coil	2	
10	61016956	Cone	1	
11	61016961	Spring	1	
12	61016962	Spacer	1	
13	61016960	Plug	1	
14	61016955	Reducer hosing	1	
15	61016957	O-Ring	1	
16	61016958	Spacer	1	
17	61016959	Spring	1	
18	61016963	Plug	5	
19	61016954	Reducer spool	1	
20	61016953	Plug	1	
21	61016964	Oil source valve repair kit	1	



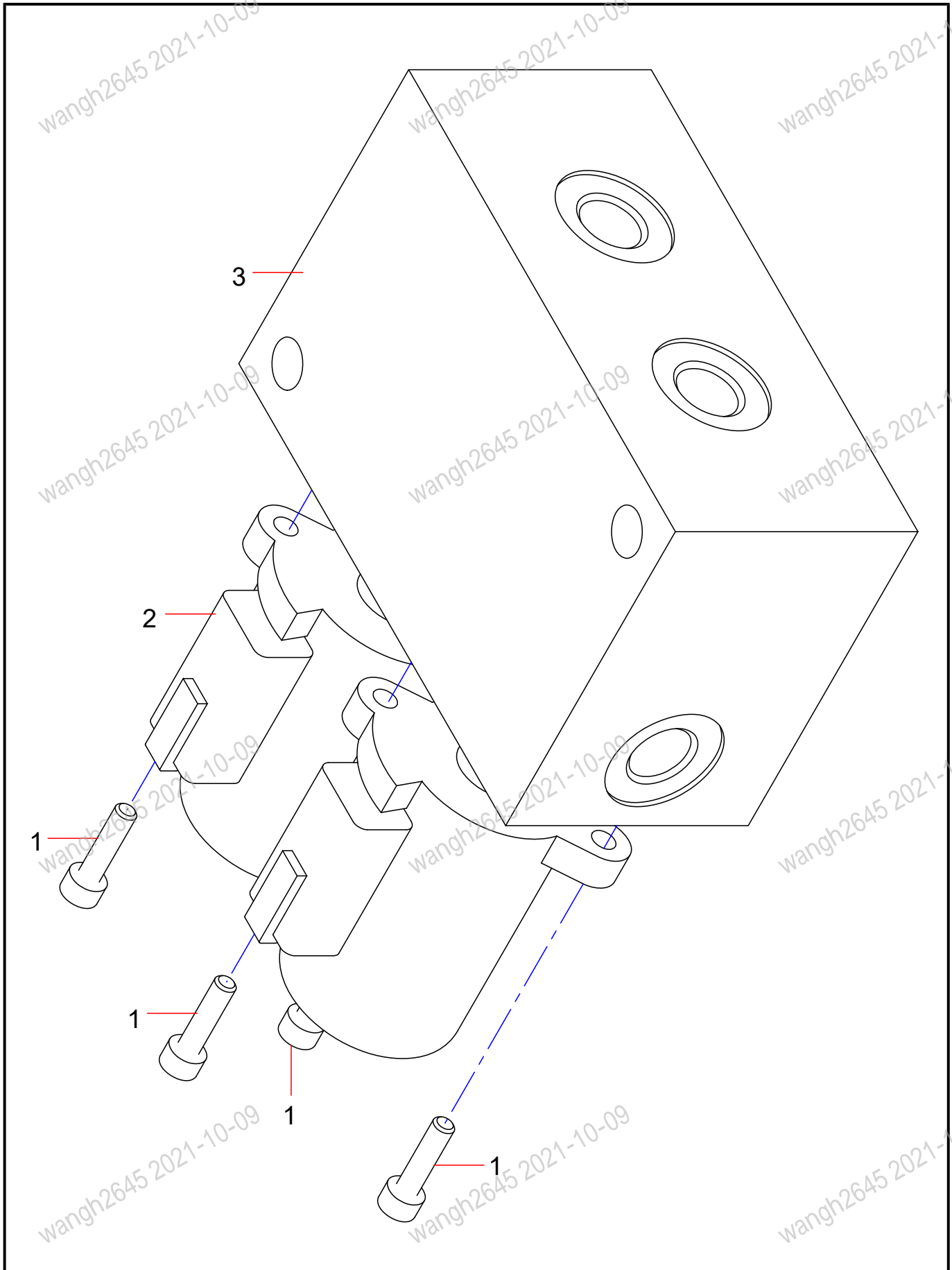
INDEX	PART NO.	DESCRIPTION	QTY	SEE PAGE
1	29010015	O-ring	2	
2	A222100000119	Pilot Hydraulic Oil Filter	1	
3	A210609000132	O-ring	1	
4	A210609000133	O-ring	1	
5	B210399000001	Screw Plug	1	



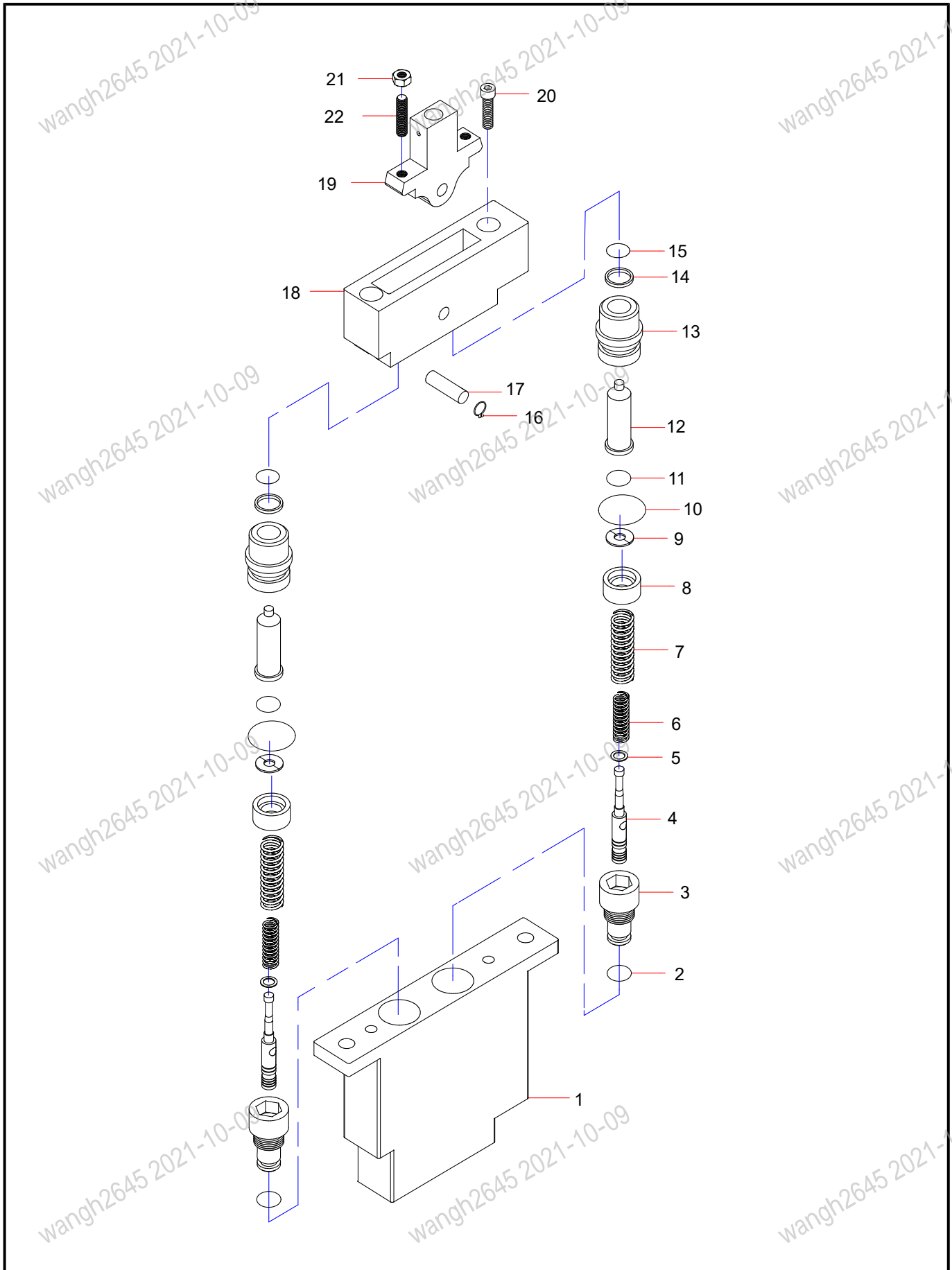
INDEX	PART NO.	DESCRIPTION	QTY	SEE PAGE
1	11578416	Washer	4	
2	60171688	Protective Sleeve	2	
3	60171541	Plug	4	
4	60171597	Spool Guide	2	
5	60171675	Pin	2	
6	60171644	Fixed Plate	2	
7	60171656	Screw	4	
8	60171567	Steel Ball	4	
9	60171676	Pin	4	
10	60171550	Retaining Ring	4	
11	60171672	Push Rod ASSY	4	



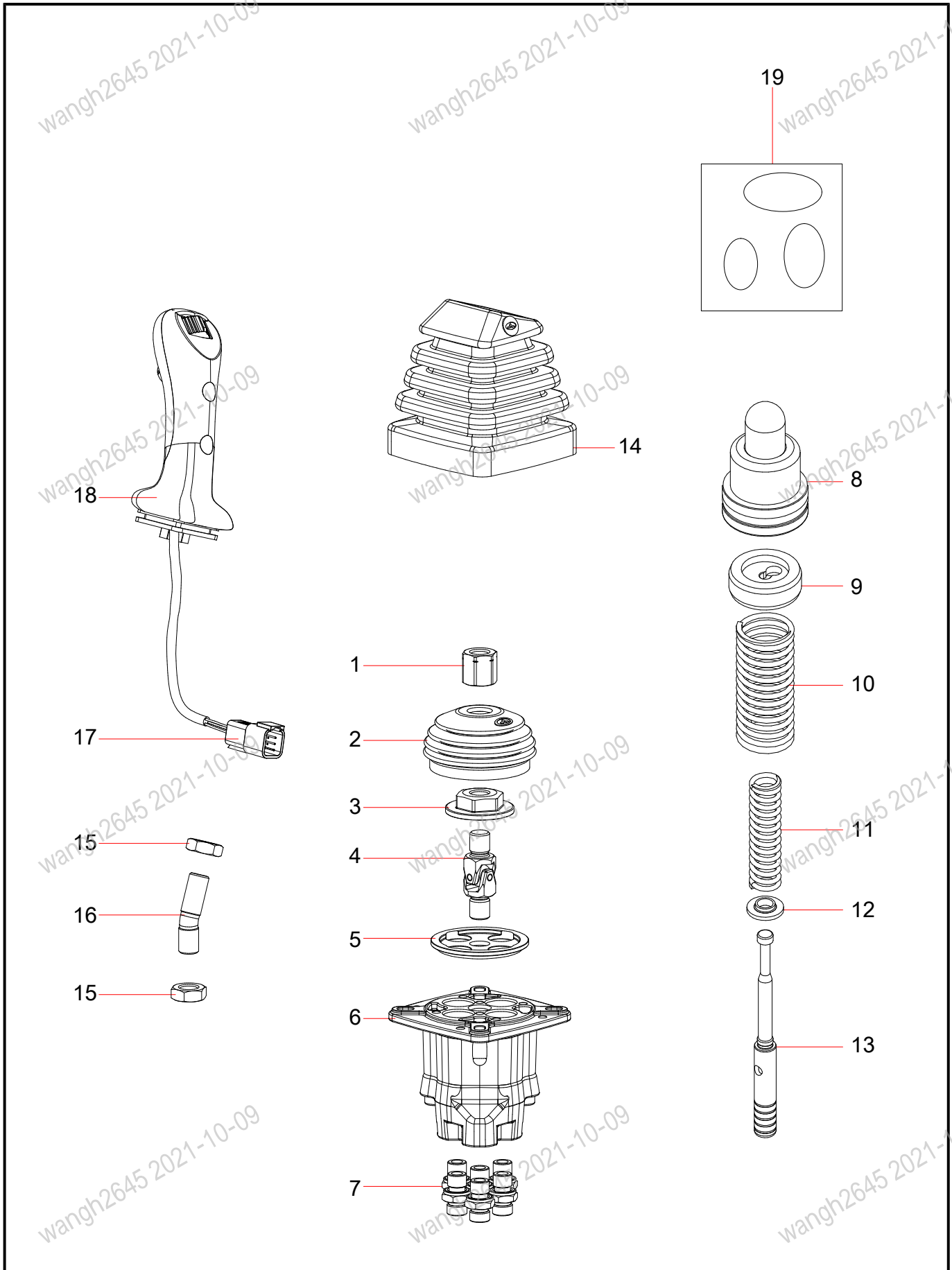
INDEX	PART NO.	DESCRIPTION	QTY	SEE PAGE
12	60171686	Plunger ASSY	1	
13	60171613	Spring	2	
14	60171614	Spring	2	
15	60171582	Spool	2	
16	60141820	Cross recessed pan head tapping screws	2	
17	60171658	Nameplate	1	
18	60171572	Body of Valve	1	
19	A210608000073	O-ring	1	
20	60082841	Screw Plug	1	
21	60147943	Plug	1	
22	A210609000095	O-ring	1	



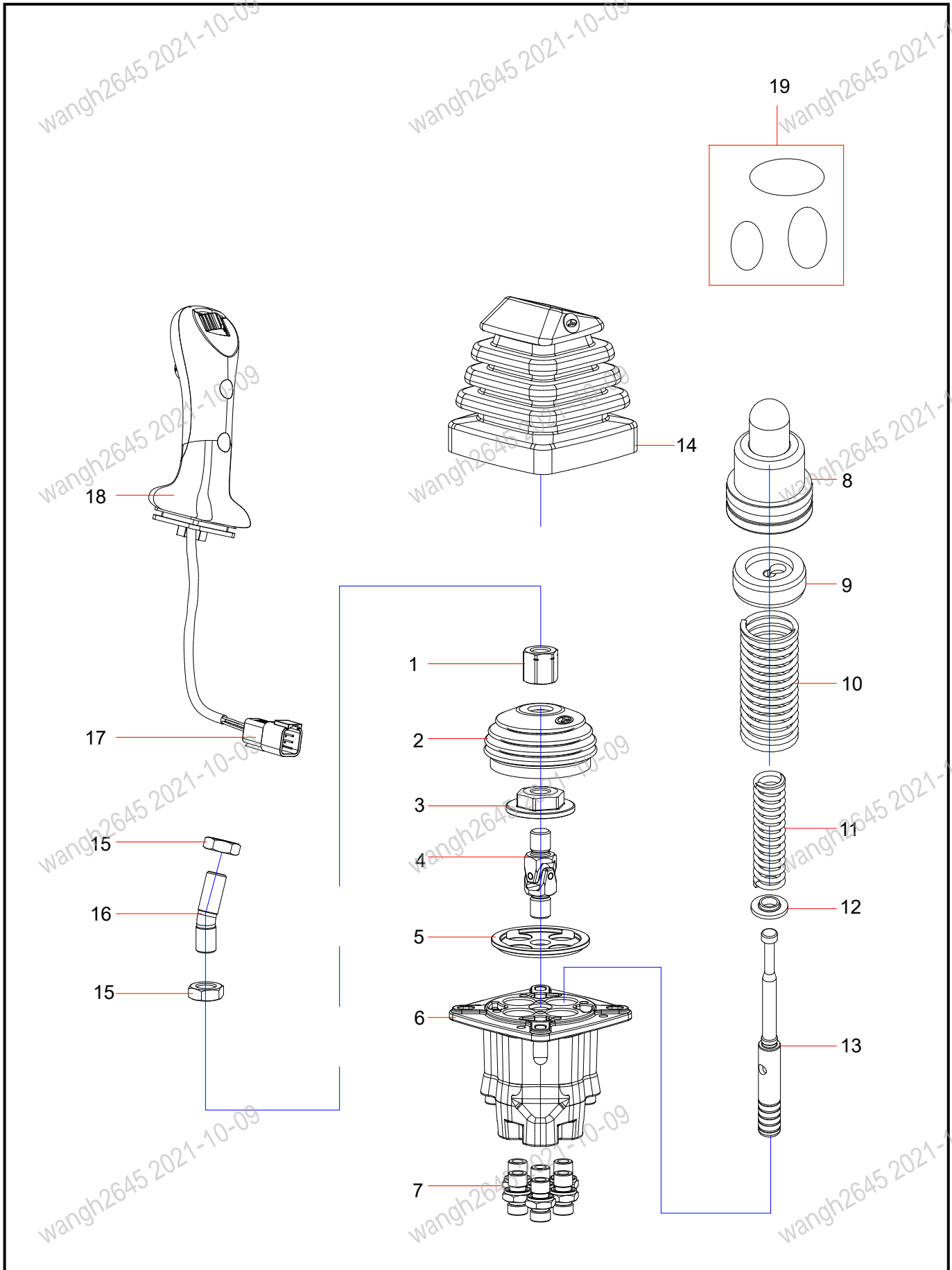
INDEX	PART NO.	DESCRIPTION	QTY	SEE PAGE
1	61025254	Bolt, Socket Head	4	
2	61025255	Solenoid Valve	2	
3	61025256	Valve Block	1	



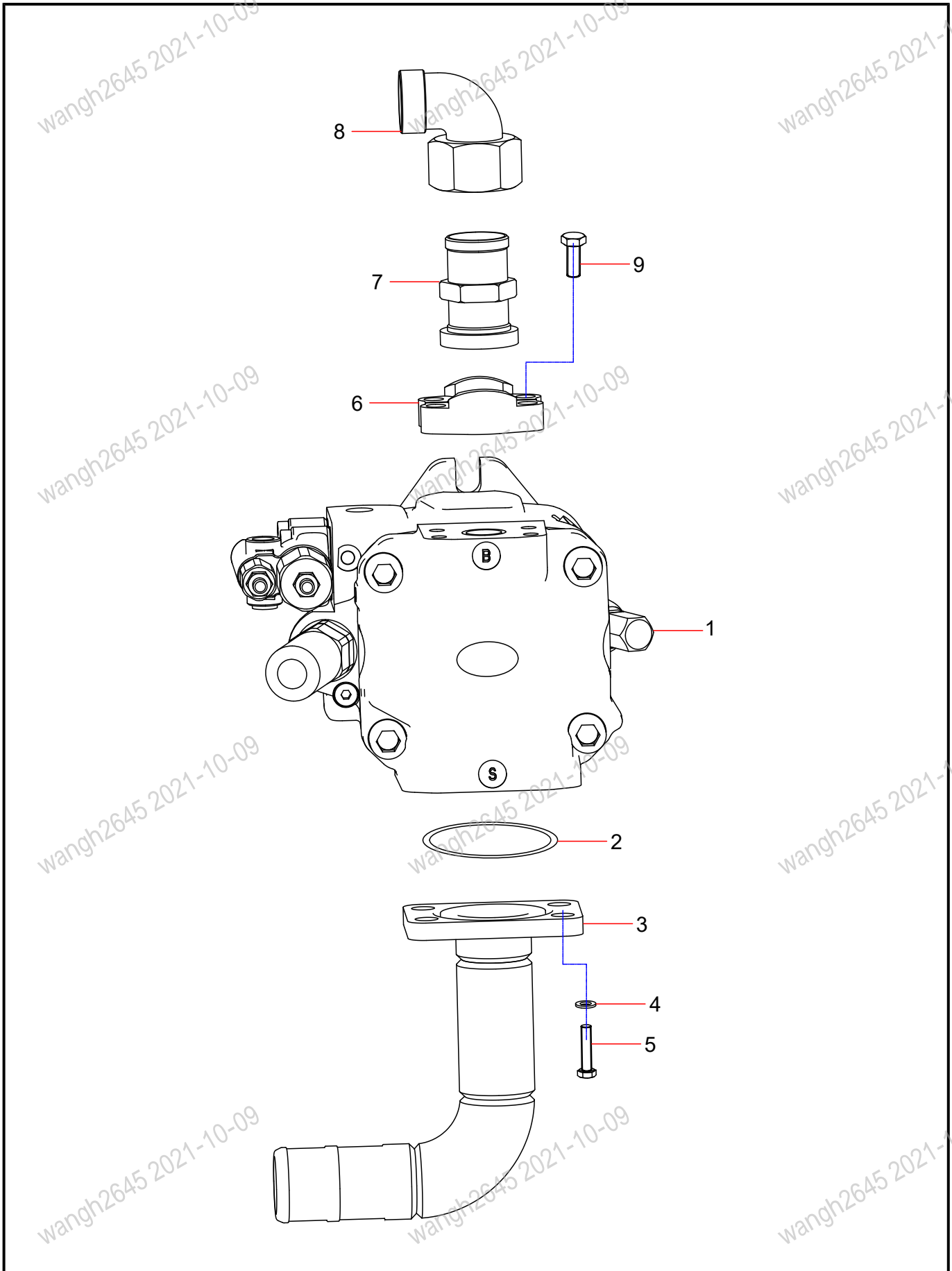
INDEX	PART NO.	DESCRIPTION	QTY	SEE PAGE
1	A210608000007	O-ring	2	
2	60290359	Valve Pocket	2	
3	60290360	Spool	2	
4	60290361	Spring Washer	2	
5	60290362	Spring	2	
6	60290363	Spring	2	
7	60290364	Seat	2	
8	60290365	Washer	4	
9	B230101000049	O-ring	2	
10	60290366	Steel-wire Retainer Ring	2	
11	60290367	Piston Rod	2	
12	60290368	Copper Sleeve	2	
13	60290369	U Ring	2	
14	21019042	O-ring	2	
15	A210414000003	Retainer Ring	2	
16	60290370	Pin	1	
17	60290371	Seat	1	
18	60290372	Swing Holder	1	
19	A210204000134	Screw	2	
20	A210307000015	Nut	2	
21	60290373	Screw	2	
22	A210414000003	Retainer Ring	2	



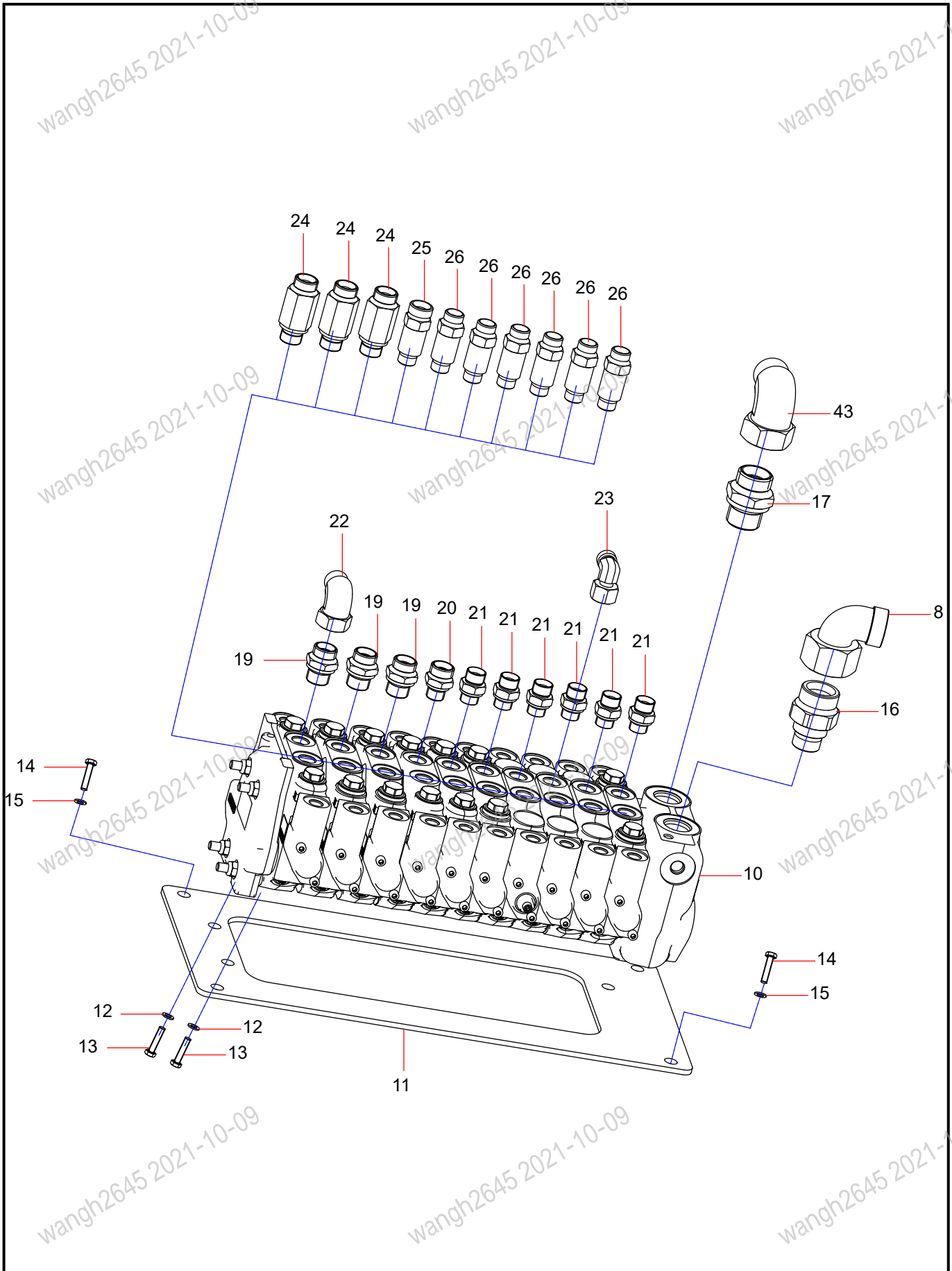
INDEX	PART NO.	DESCRIPTION	QTY	SEE PAGE
1	60259205	Nut	1	
2	60221098	Soffietto Circolare	1	
3	60171553	Retaining ring	1	
4	61026666	Universal joint	1	
5	60221097	Flange	1	
6	60171579	Body of Valve	1	
7	61026667	Joint	6	
8	60171687	Plunger AS	4	
9	60171551	Retaining ring	4	
10	60171619	Spring	4	
11	60221100	SPRING	4	
12	60221102	BUSHING	4	
13	60171583	Spool	4	
14	60238623	Rubber Sleeve	1	
15	61026665	Nut	2	
16	61026664	Connecting rod	1	
17	61026661	Connector	1	
18	61026662	Handle	1	
19	61026668	Repair Kit,Handle	1	



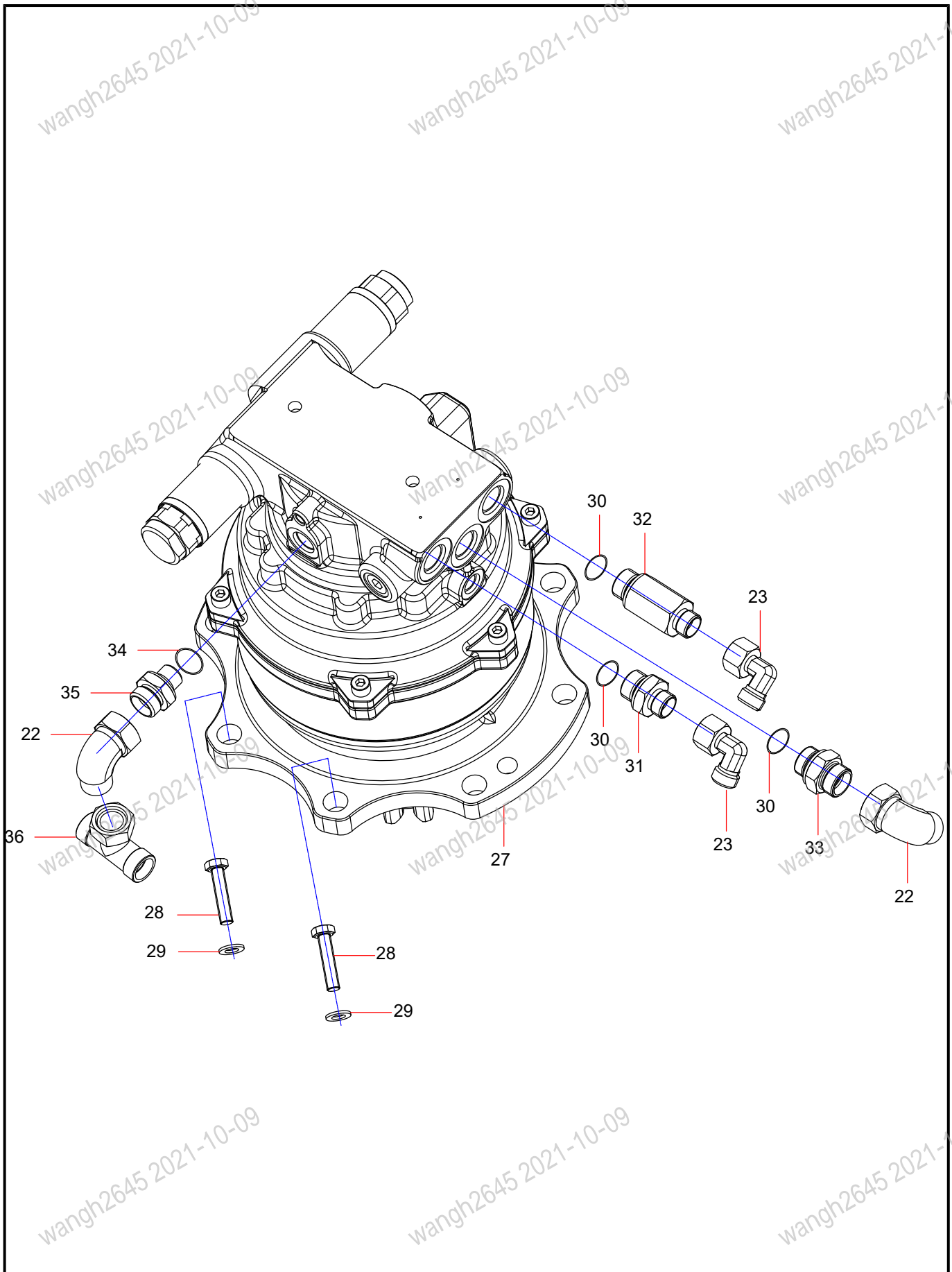
INDEX	PART NO.	DESCRIPTION	QTY	SEE PAGE
1	60259205	Nut	1	
2	60221098	Soffietto Circolare	1	
3	60171553	Retaining ring	1	
4	61026666	Universal joint	1	
5	60221097	Flange	1	
6	60171579	Body of Valve	1	
7	61026667	Joint	6	
8	60171687	Plunger AS	4	
9	60171551	Retaining ring	4	
10	60171619	Spring	4	
11	60221100	SPRING	4	
12	60221102	BUSHING	4	
13	60171583	Spool	4	
14	60238623	Rubber Sleeve	1	
15	61026665	Nut	2	
16	61026664	Connecting rod	1	
17	61026661	Connector	1	
18	61026663	Handle	1	
19	61026669	Repair kit,handle	1	



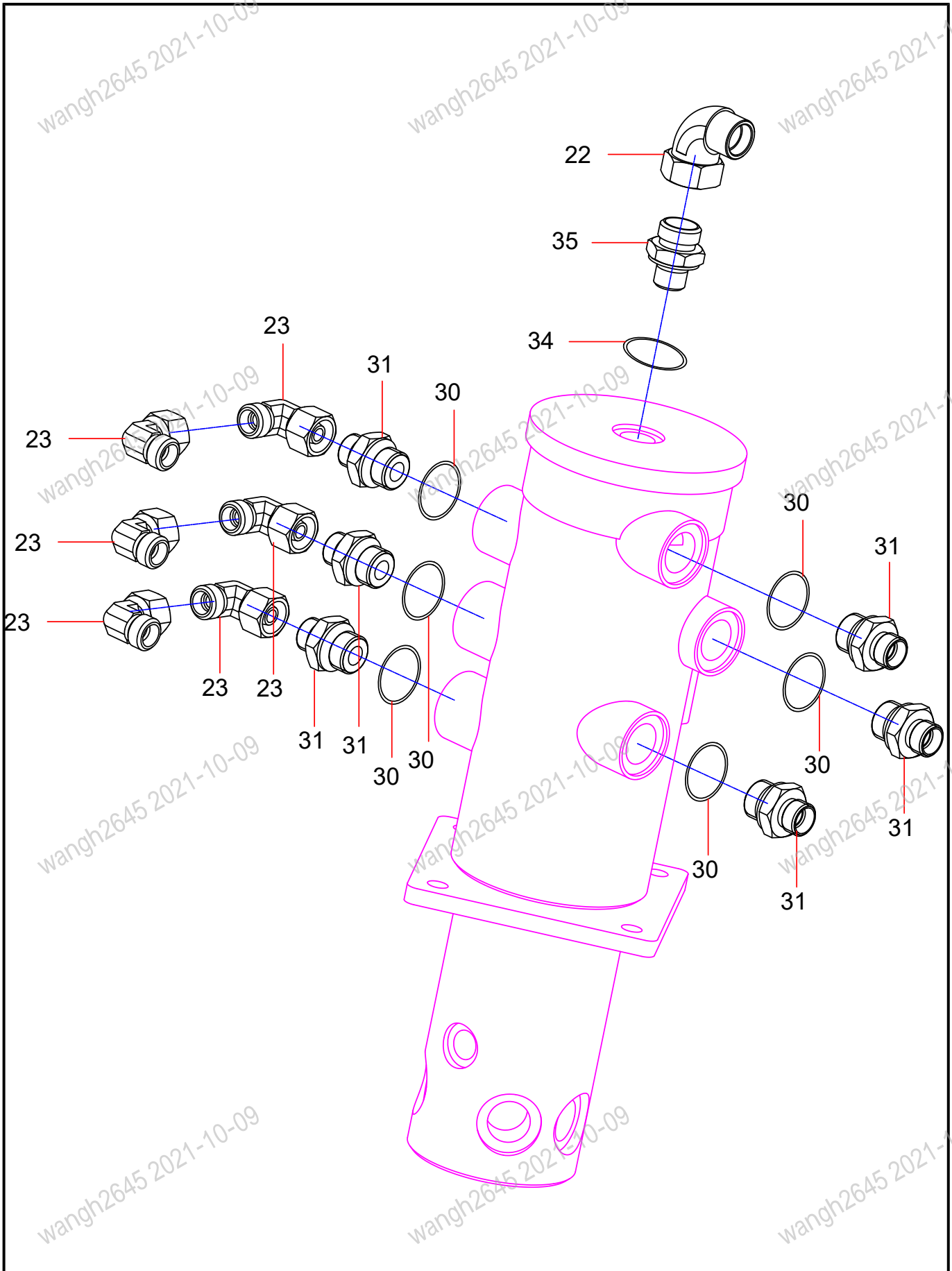
INDEX	PART NO.	DESCRIPTION	QTY	SEE PAGE
1	61007909	Plunger pump	1	2-94
2	B230101000366	O-ring	1	
3	14053317	Oil suction steel tube	1	
4	A210491000121	Washer	8	
5	A210204000337	Screw	4	
6	B210780000244	Split Flange	2	
7	21011030	Fitting, Adapter, Flange	1	
8	B210780000029	Fitting, Elbow	2	
9	A210204000354	Screw	4	



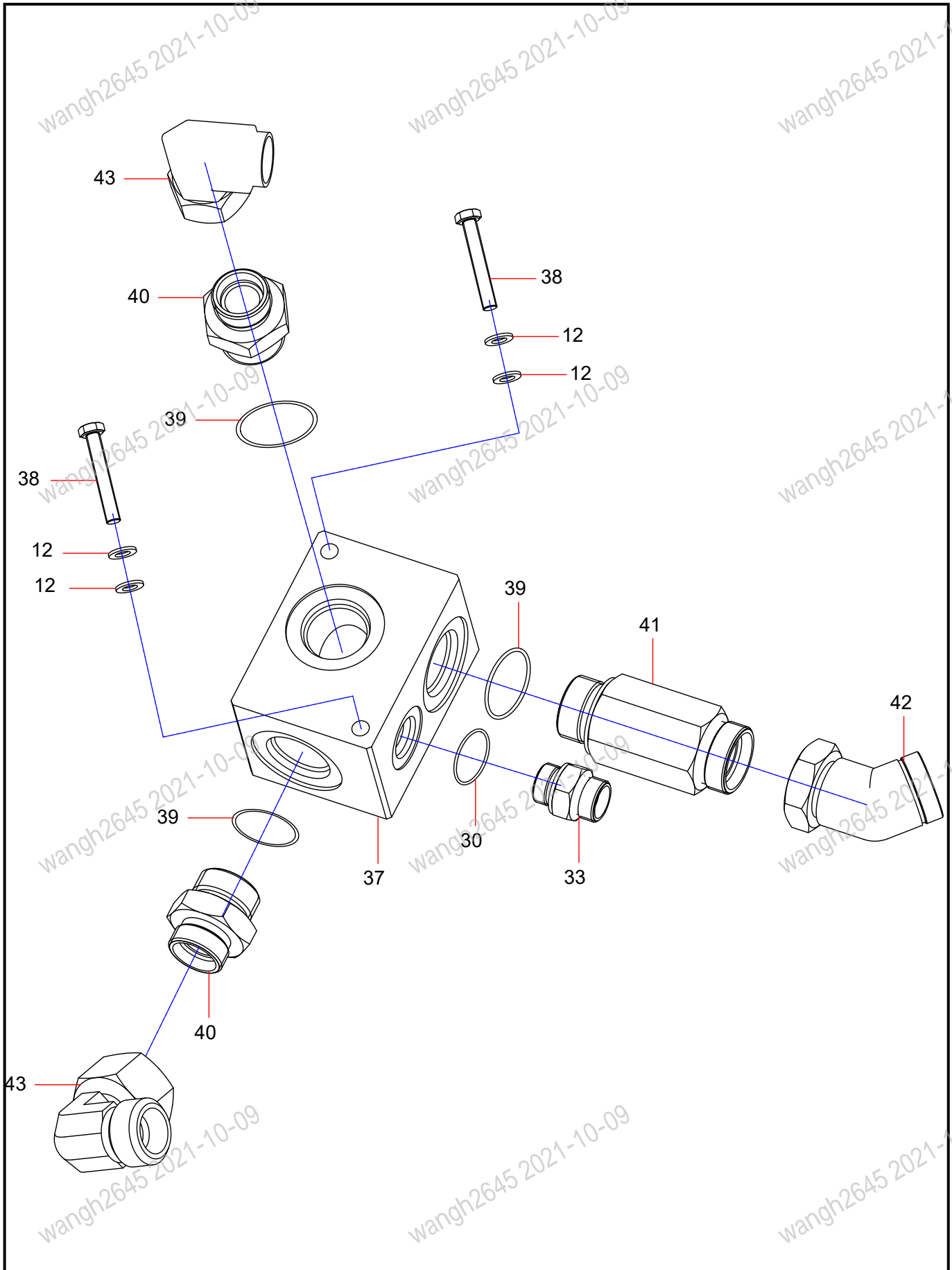
INDEX	PART NO.	DESCRIPTION	QTY	SEE PAGE
8	B210780000029	Fitting, Elbow	2	
10	60358584	Multiple valve	1	2-96
11	14053496	Valve rack	1	
12	24000633	Washer	8	
13	A210111000342	Bolt	4	
14	A210111000012	Bolt	4	
15	A210491000120	Washer	14	
16	14053269	Joint	1	
17	B210780000421	End Straight Connector	1	
19	B210780000043	Adapter Fitting	6	
20	B210780000042	End Straight Connector	1	
21	B210780000180	Fitting	6	
22	B210780000025	Fitting, Elbow	8	
23	B210780000024	Fitting, Elbow	11	
24	11147279	G1/2(ED)-M22-L65 connector	3	
25	13053233	Connector	1	
26	13053059	Connector	6	
43	B210780000028	Elbow Combination Fitting	3	



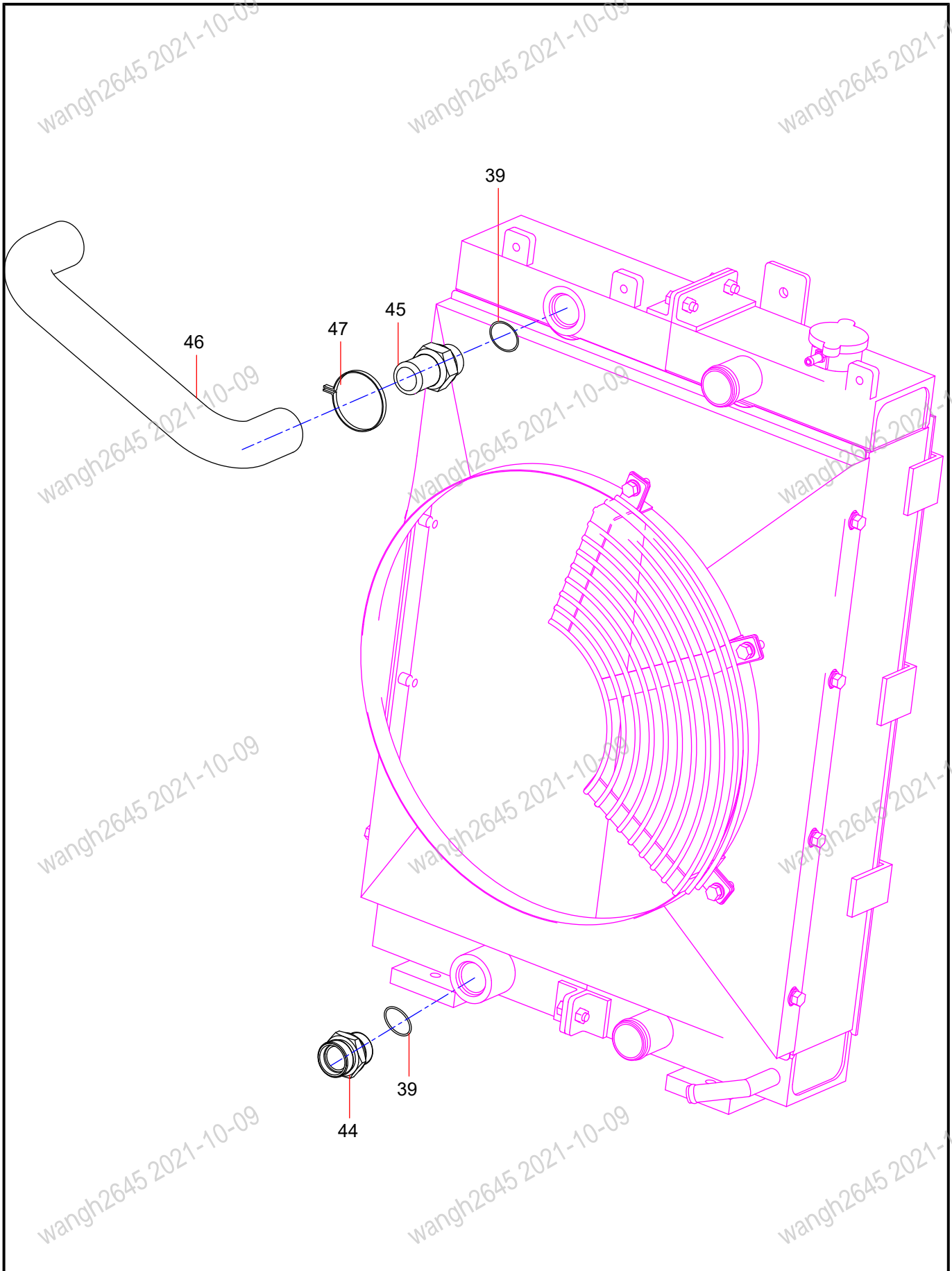
INDEX	PART NO.	DESCRIPTION	QTY	SEE PAGE
22	B210780000025	Fitting, Elbow	8	
23	B210780000024	Fitting, Elbow	11	
27	B229900005731	Reducer assembly	1	2-120
28	A210204000203	Screw	8	
29	A210491000118	Washer	8	
30	B230101000090	O-ring	15	
31	10541251	Connector	9	
32	13269674	G1/2-M18-L65 Adaptor	1	
33	A820205002535	G1/2-M22-L35 Adaptor	4	
34	B230101000049	O-ring	2	
35	21011029	Pipe connector	2	
36	B210780000413	Tee Joint	1	



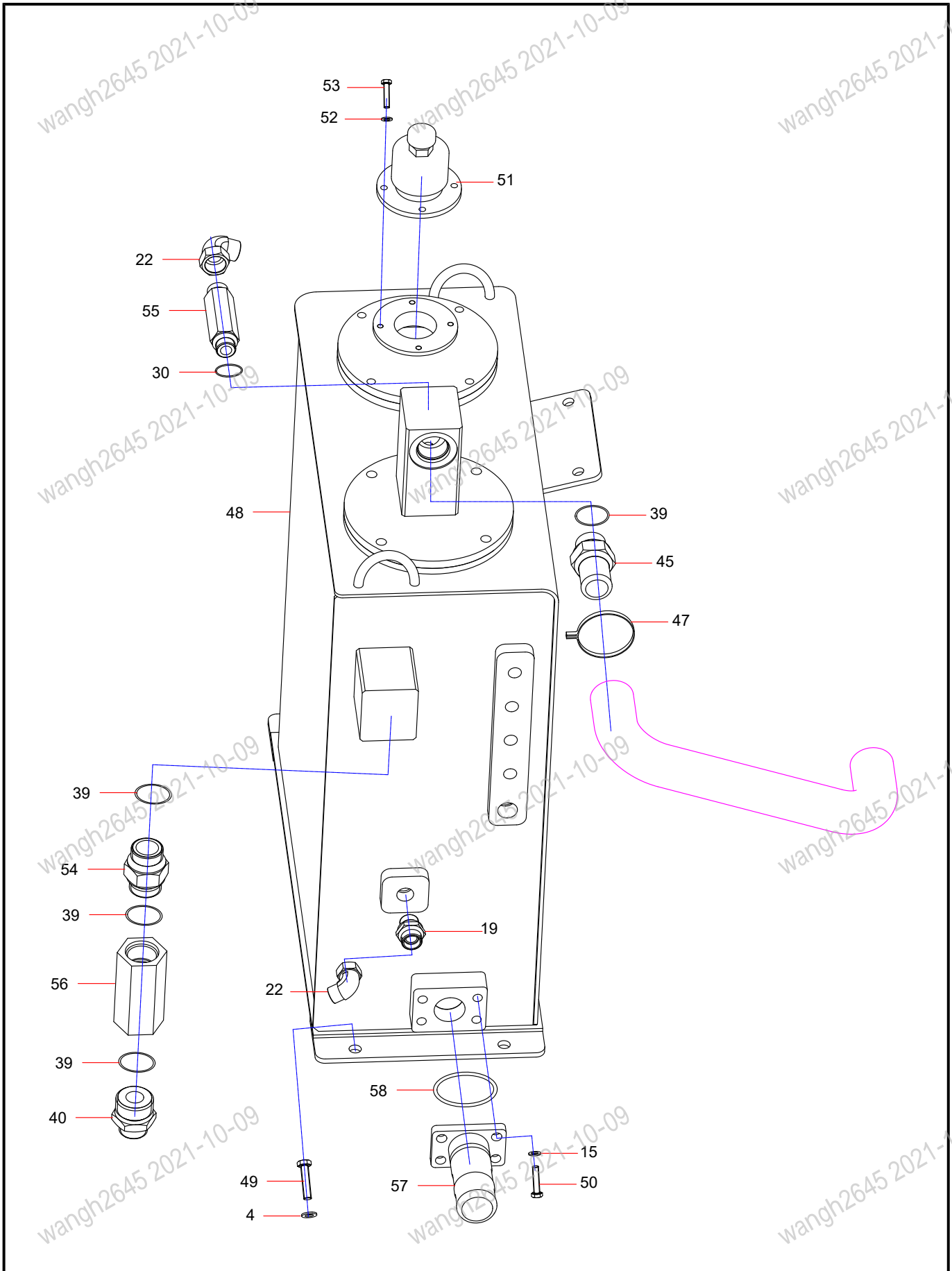
INDEX	PART NO.	DESCRIPTION	QTY	SEE PAGE
22	B210780000025	Fitting, Elbow	8	
23	B210780000024	Fitting, Elbow	11	
30	B230101000090	O-ring	15	
31	10541251	Connector	9	
34	B230101000049	O-ring	2	
35	21011029	Pipe connector	2	



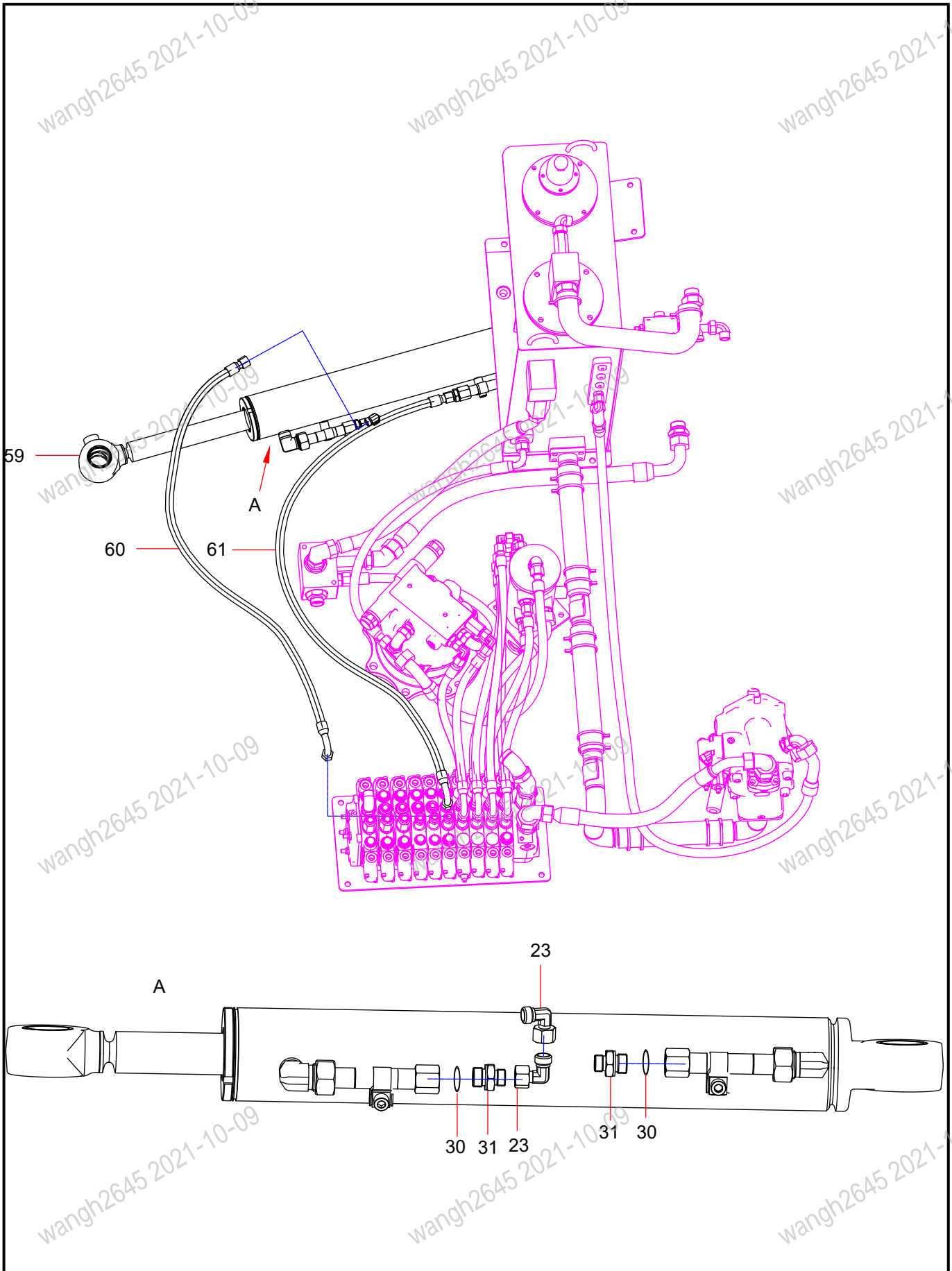
INDEX	PART NO.	DESCRIPTION	QTY	SEE PAGE
12	24000633	Washer	8	
30	B230101000090	O-ring	15	
33	A820205002535	G1/2-M22-L35 Adaptor	4	
37	13269603	oil return block	1	
38	60225885	Screw	2	
39	B230101000050	O-ring	9	
40	A820205002466	G1-M30 Connector	3	
41	12840728	Joint	1	
42	60004647	Pipe connector	1	
43	B210780000028	Elbow Combination Fitting	3	



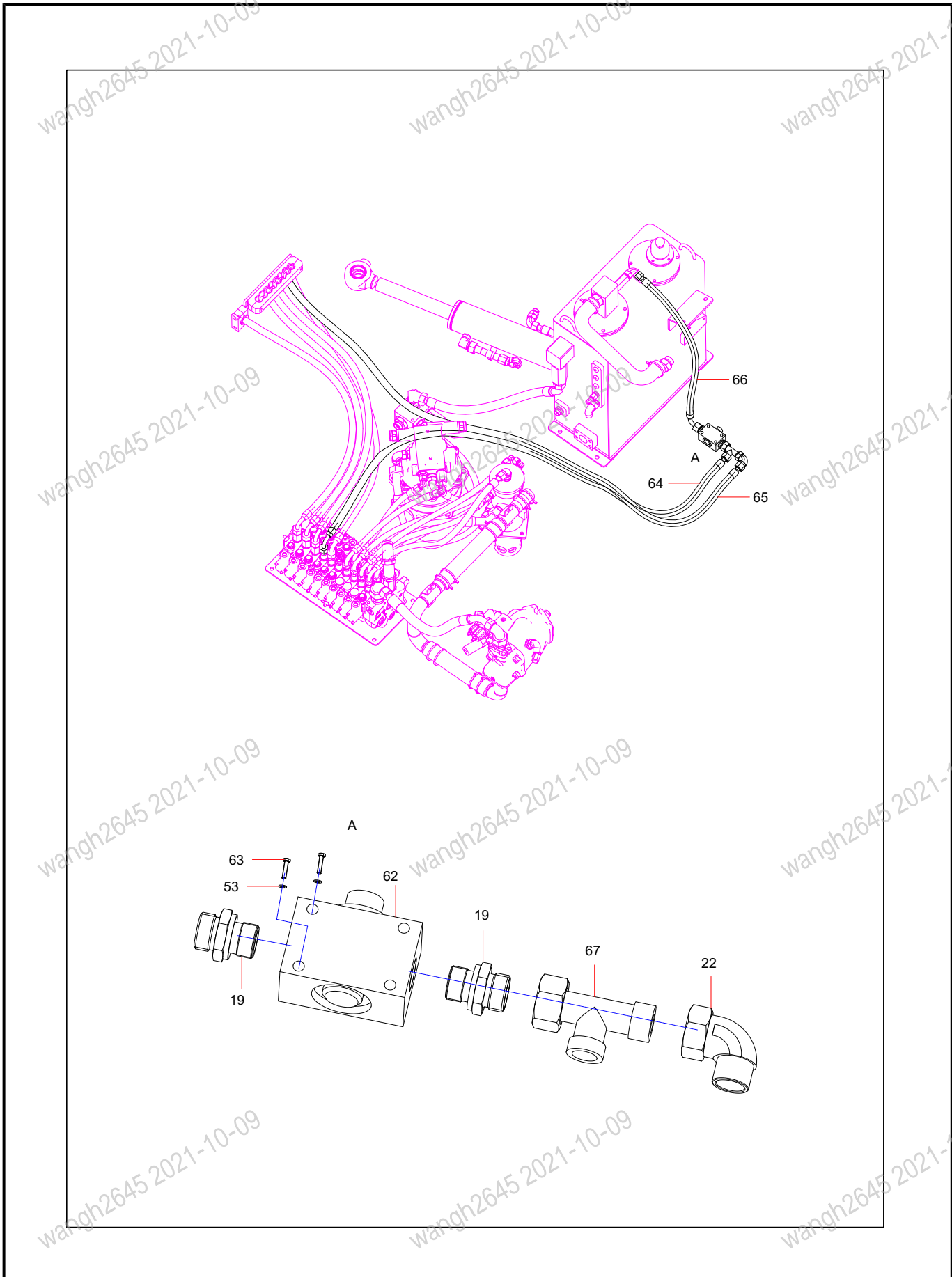
INDEX	PART NO.	DESCRIPTION	QTY	SEE PAGE
39	B230101000050	O-ring	9	
44	A820205002468	Connector	1	
45	13508176	oil return adaptor	2	
46	13508288	Suction hose	1	
47	60244178	Clamp Spring	2	



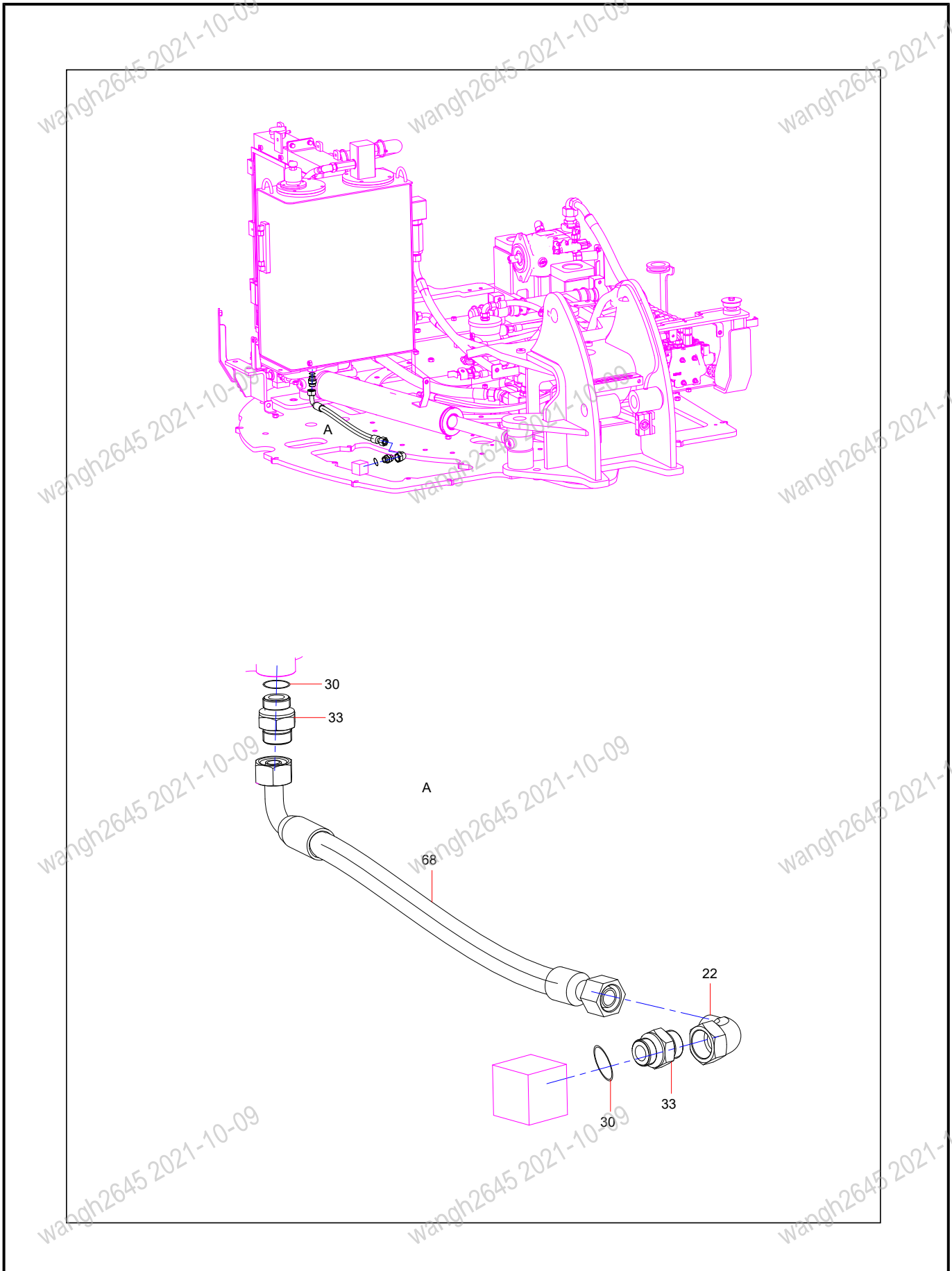
INDEX	PART NO.	DESCRIPTION	QTY	SEE PAGE
4	A210491000121	Washer	8	
15	A210491000120	Washer	14	
19	B210780000043	Adapter Fitting	6	
22	B210780000025	Fitting, Elbow	8	
30	B230101000090	O-ring	15	
39	B230101000050	O-ring	9	
40	A820205002466	G1-M30 Connector	3	
45	13508176	oil return adaptor	2	
47	60244178	Clamp Spring	2	
48	13850341	Hydraulic oil tank assy	1	2-130
49	A210111000202	Bolt	4	
50	23000066	Screw	8	
51	60237031	Breather Valve	1	2-132
52	A210111000079	Bolt	4	
53	24000632	Washer	6	
54	A820205002464	Connector	1	
55	13843383	G1/2-M22-L100 Adaptor	1	
56	A220401000334	One-Way Valve	1	
57	13263149	Oil suction straight tube	1	
58	B230101000404	O-ring	1	



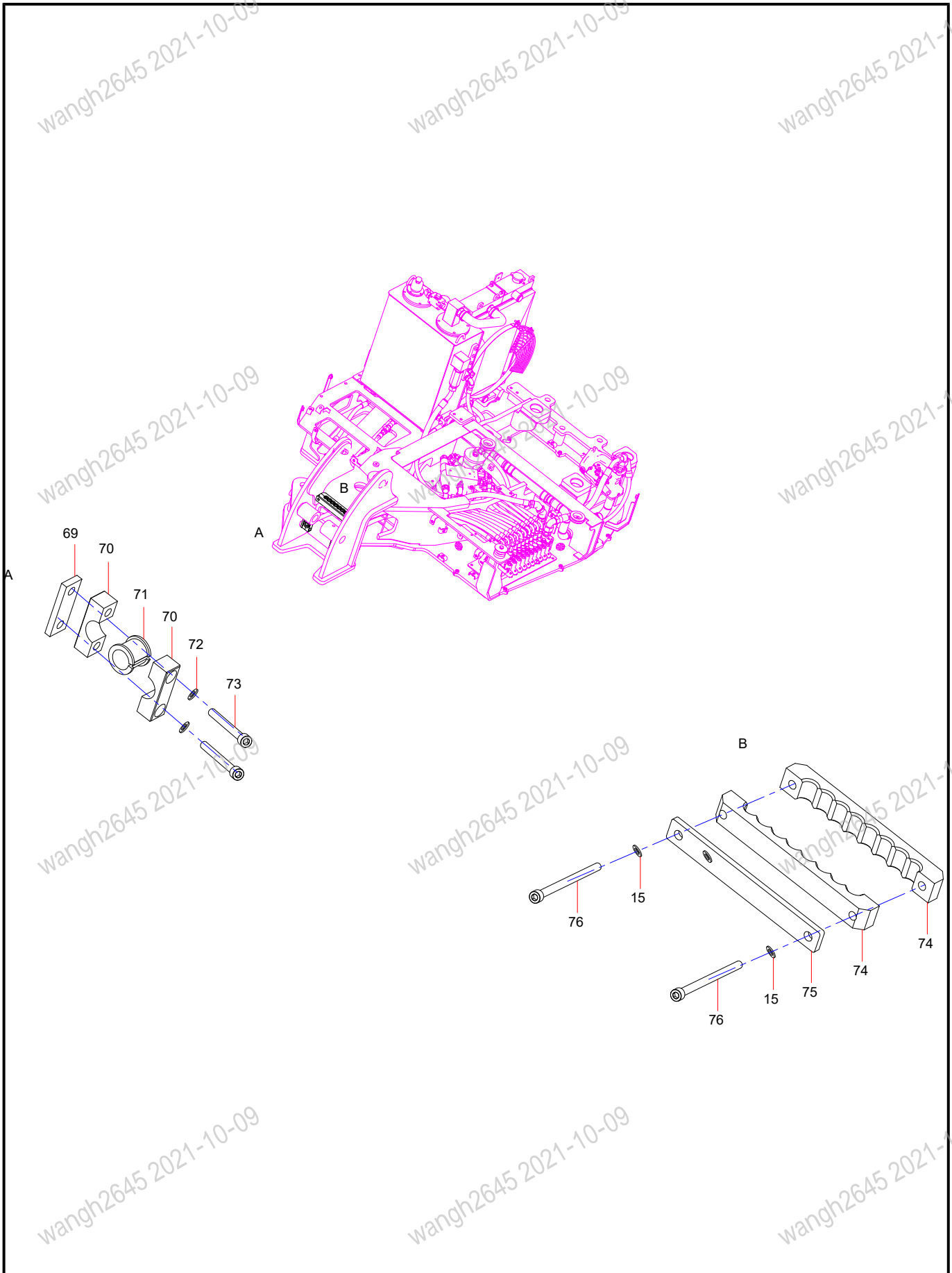
INDEX	PART NO.	DESCRIPTION	QTY	SEE PAGE
23	B210780000024	Fitting, Elbow	11	
30	B230101000090	O-ring	15	
31	10541251	Connector	9	
59	13726940	Bulldozing shovel oil cylinder	1	2-134
60	13054811	Rubber hose	1	
61	60028228	Rubber hose	1	



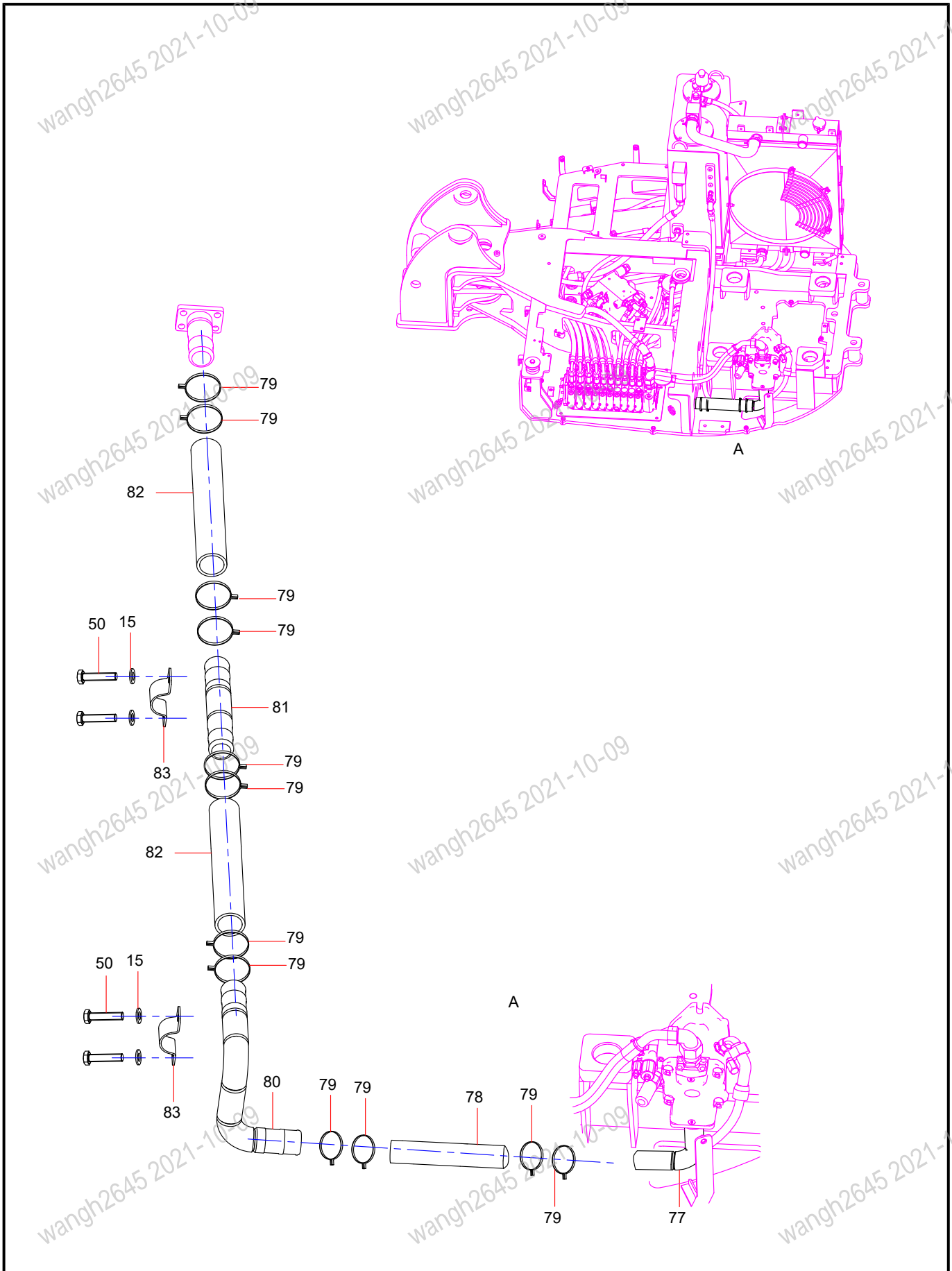
INDEX	PART NO.	DESCRIPTION	QTY	SEE PAGE
19	B210780000043	Adapter Fitting	6	
22	B210780000025	Fitting, Elbow	8	
53	24000632	Washer	6	
62	60246980	Ball Valve	1	
63	A210204000218	Screw	2	
64	151005160059A	Hose	1	
65	151005160058A	Hose	1	
66	B230103006186	Rubber Hose	1	
67	B210780000017	Three Way Combination Joint	1	



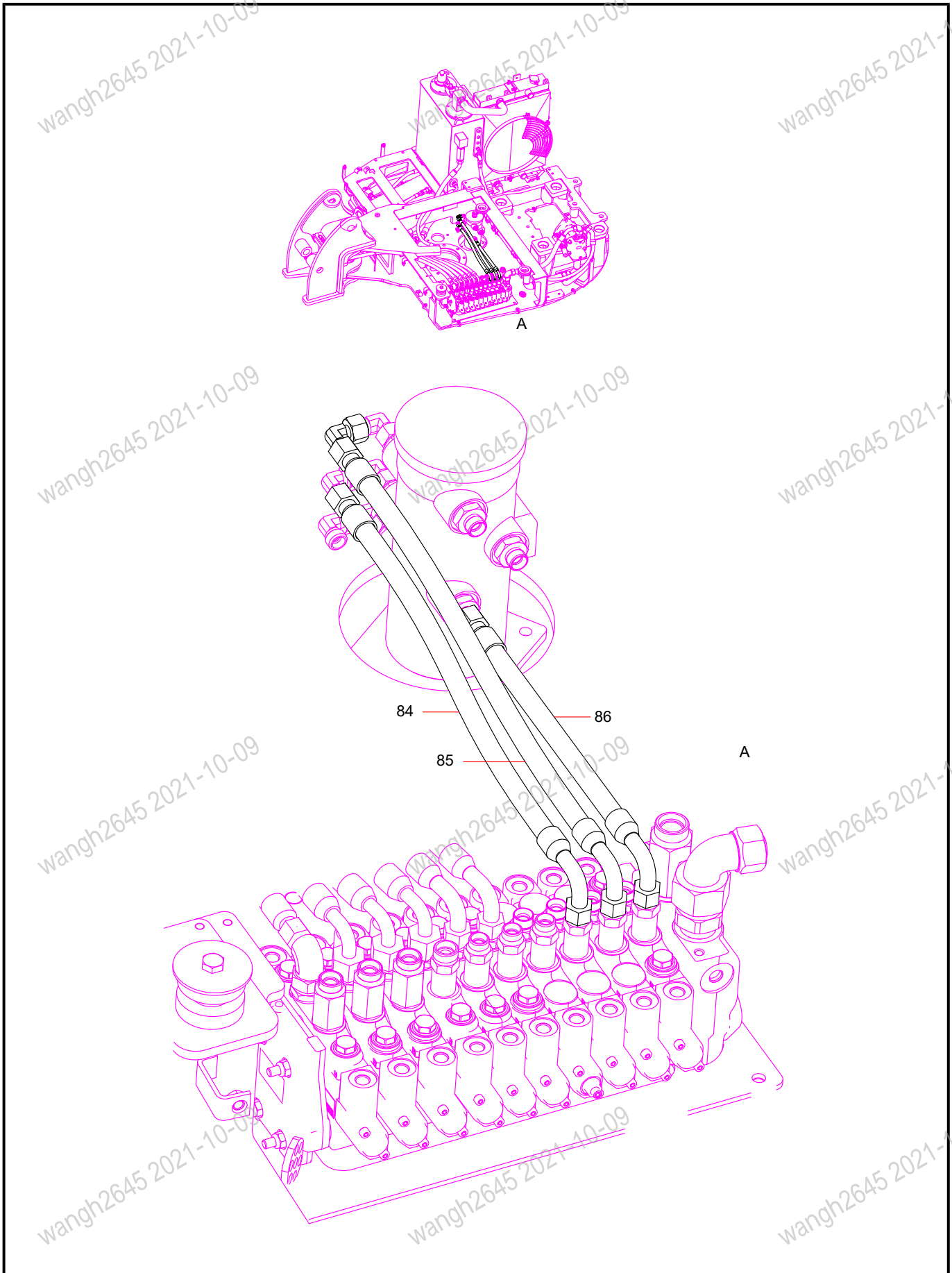
INDEX	PART NO.	DESCRIPTION	QTY	SEE PAGE
22	B210780000025	Fitting, Elbow	8	
30	B230101000090	O-ring	15	
33	A820205002535	G1/2-M22-L35 Adaptor	4	
68	B230103001467	Hose Assembly	1	



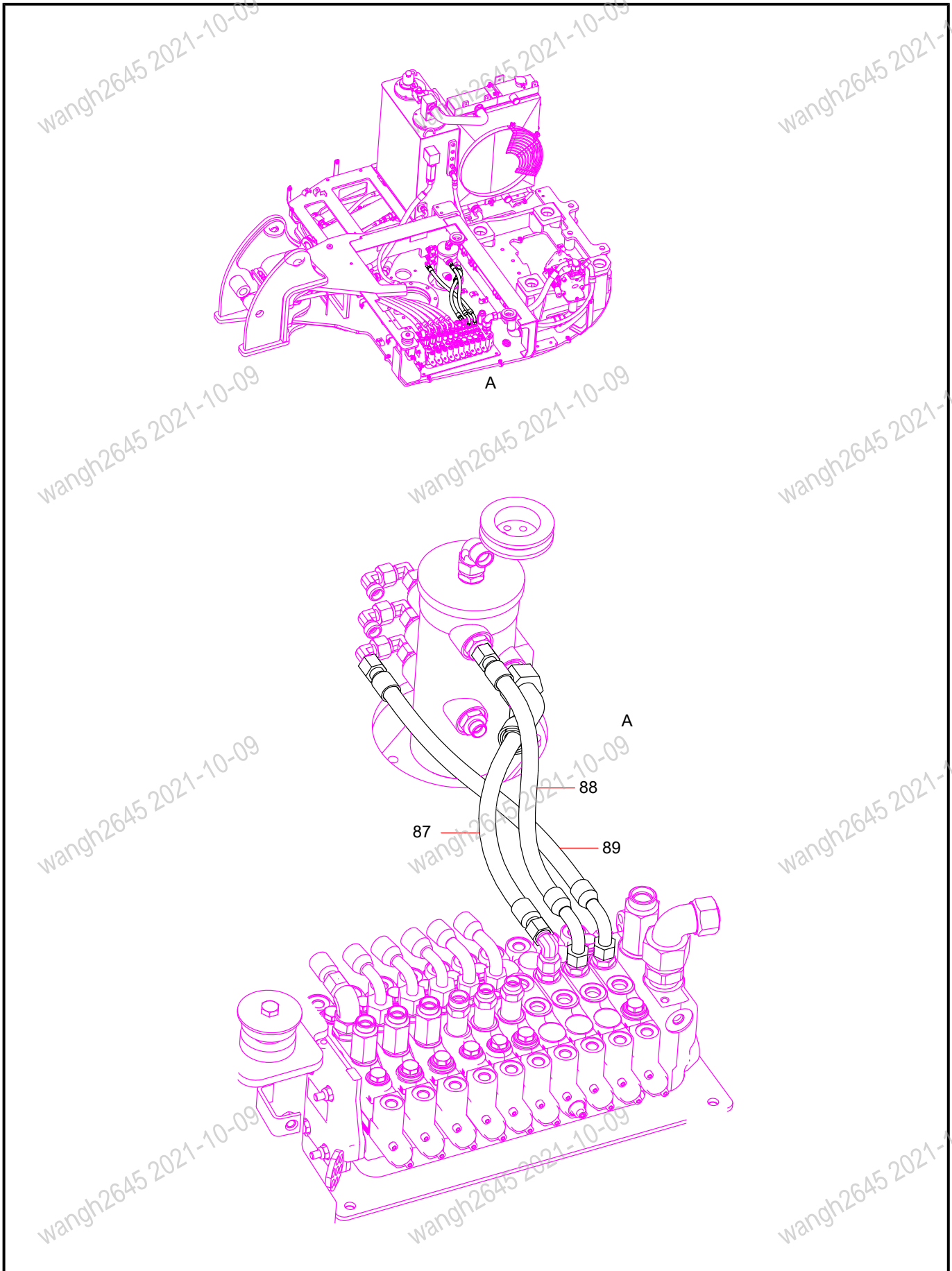
INDEX	PART NO.	DESCRIPTION	QTY	SEE PAGE
15	A210491000120	Washer	14	
69	10542627	Board	2	
70	13888784	Mounting block	4	
71	A820202005473	Clamp, pipe, rubber	2	
72	24000512	Washer	6	
73	A210204000335	Screw	4	
74	13843380	Hose tube clamp	2	
75	13843382	Board	1	
76	A210204000358	Screw	2	



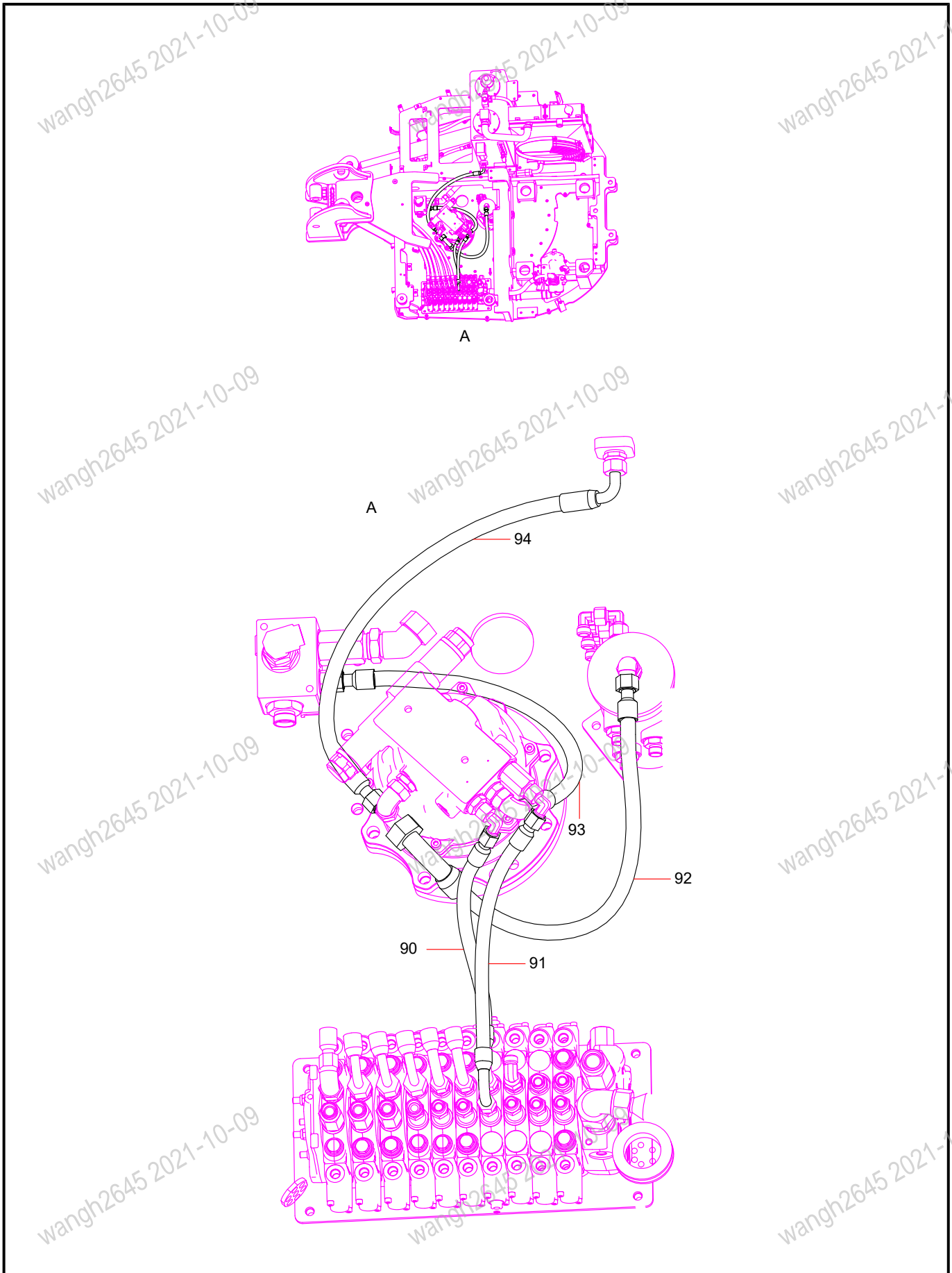
INDEX	PART NO.	DESCRIPTION	QTY	SEE PAGE
15	A210491000120	Washer	14	
50	23000066	Screw	8	
77	13247085	hose	1	
78	13269599	Suction hose	1	
79	A210855000024	Clamp	12	
80	13263120	Oil suction steel tube	1	
81	13263188	Oil suction straight tube	1	
82	13269605	Suction hose	2	
83	13269600	Clamp	2	



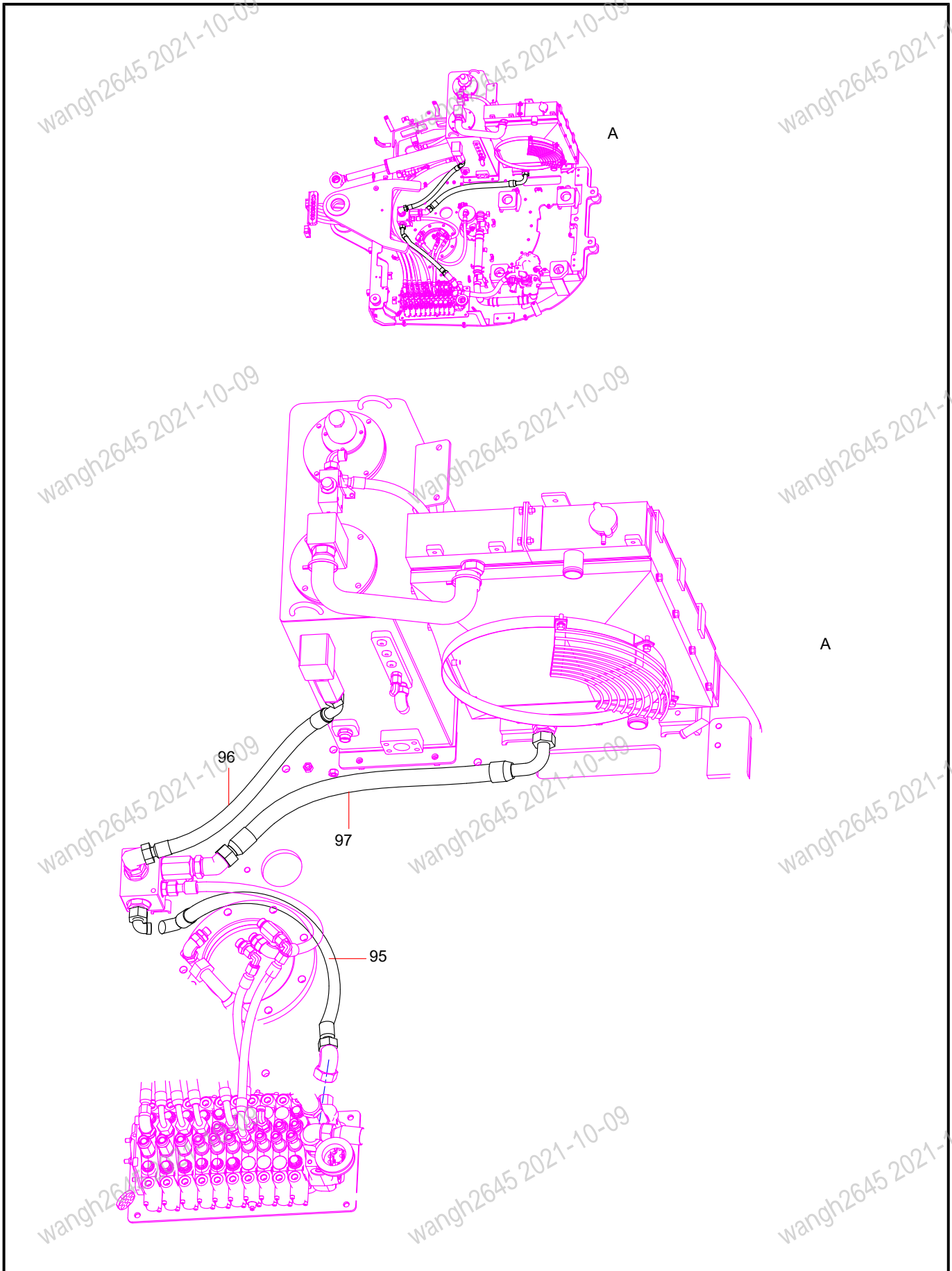
INDEX	PART NO.	DESCRIPTION	QTY	SEE PAGE
84	21033043	Rubber hose	1	
85	60101299	Rubber hose	1	
86	60207478	Rubber hose	1	



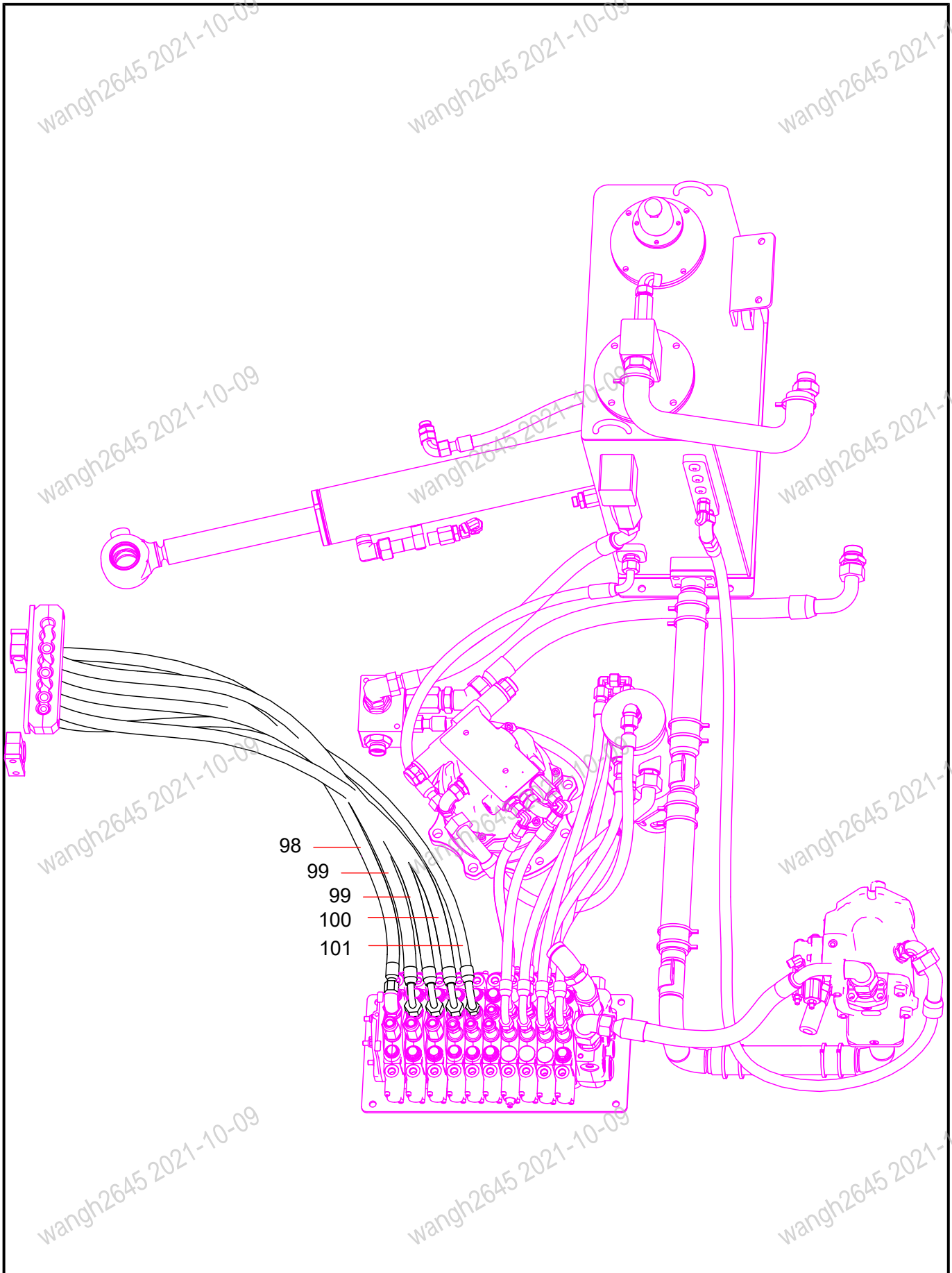
INDEX	PART NO.	DESCRIPTION	QTY	SEE PAGE
87	60016724	Rubber Hose	1	
88	60099417	Rubber hose	1	
89	60207479	Rubber hose	1	



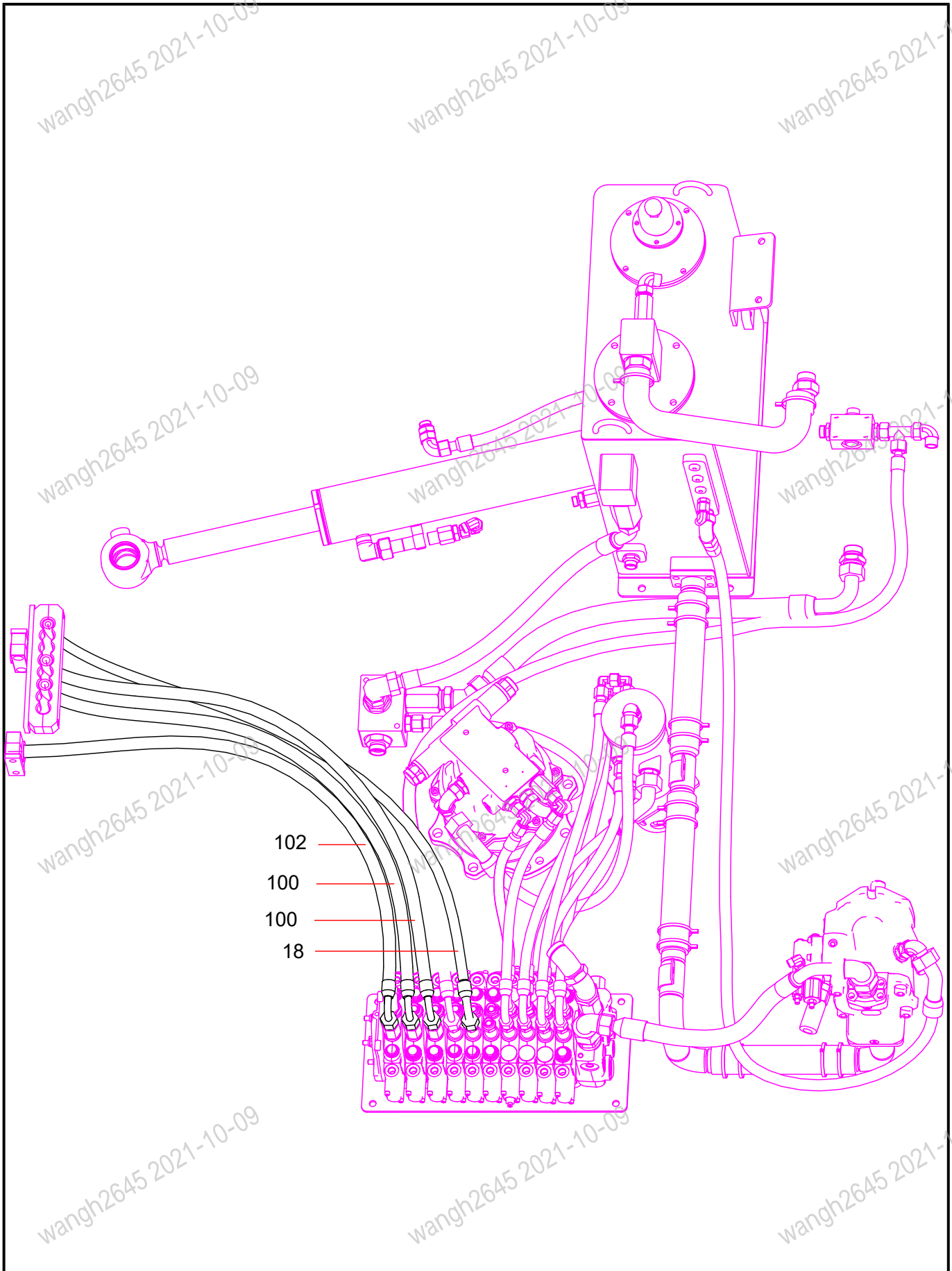
INDEX	PART NO.	DESCRIPTION	QTY	SEE PAGE
90	B230103002345	Rubber Hose	1	
91	60243802	rubber hose	1	
92	23000434	Rubber Hose	1	
93	B230103000717	Rubber Hose 1SN12-DKOL-600	1	
94	151005110007A	Hose	1	



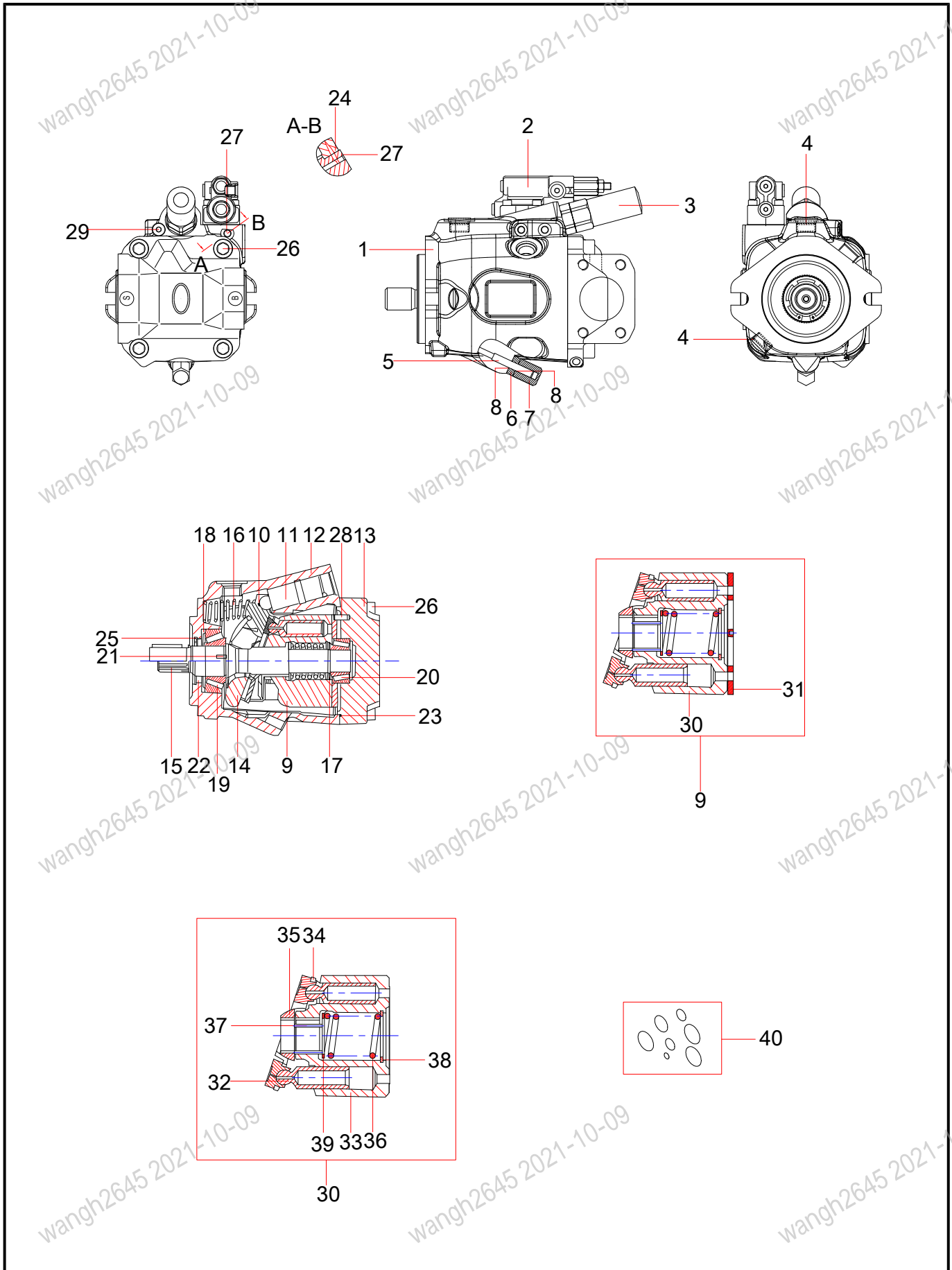
INDEX	PART NO.	DESCRIPTION	QTY	SEE PAGE
95	B230103004571	Rubber Hose	1	
96	60323299	Rubber hose	1	
97	B230103002169	Rubber hose	1	



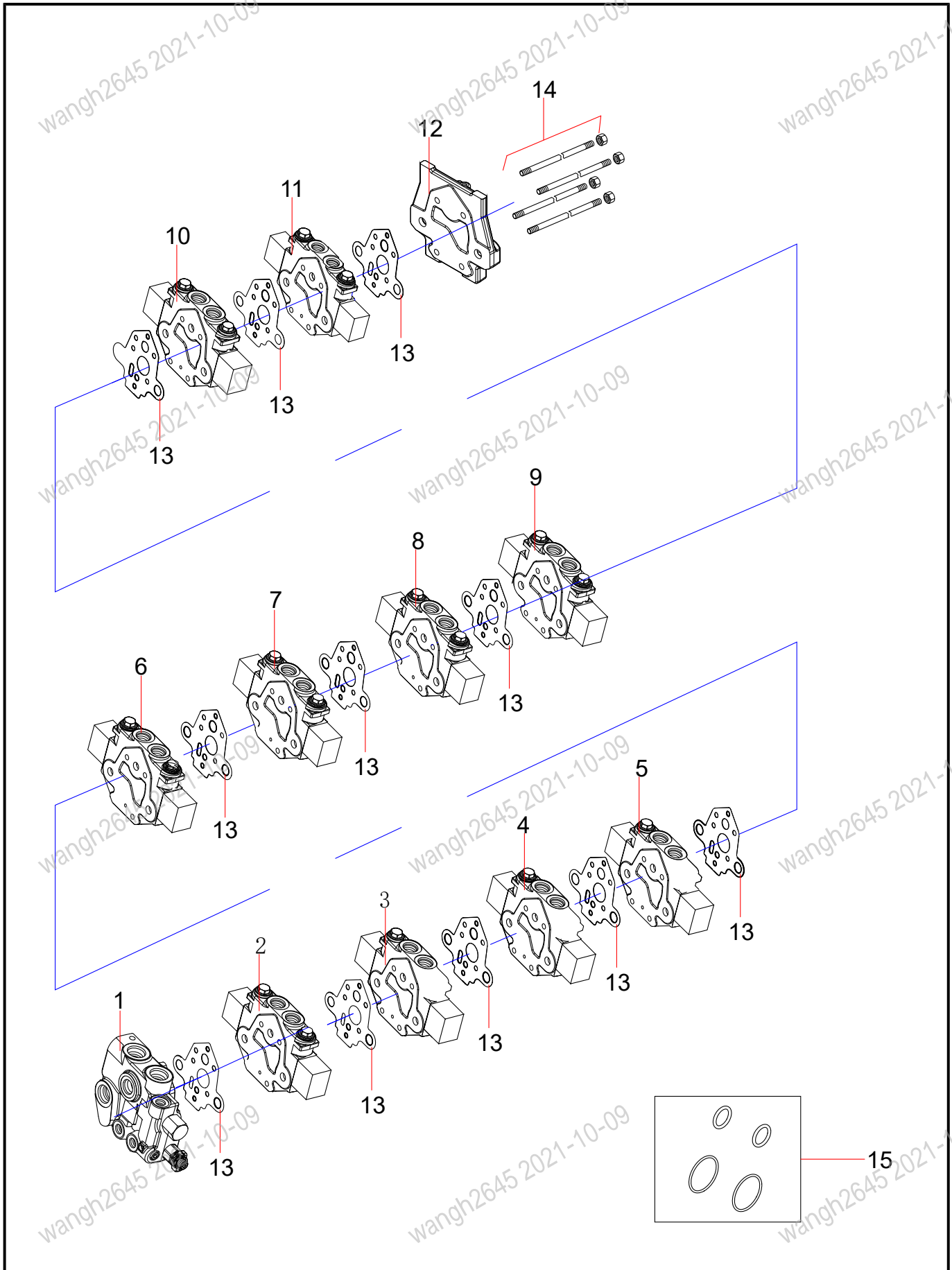
INDEX	PART NO.	DESCRIPTION	QTY	SEE PAGE
98	151005160060A	Hose	1	
99	60151466	Rubber Hose	2	
100	B230103000256	Rubber hose	3	
101	61030875	Hose	1	



INDEX	PART NO.	DESCRIPTION	QTY	SEE PAGE
18	13144049	Rubber hose	1	
100	B230103000256	Rubber hose	3	
102	151005160061A	Hose	1	

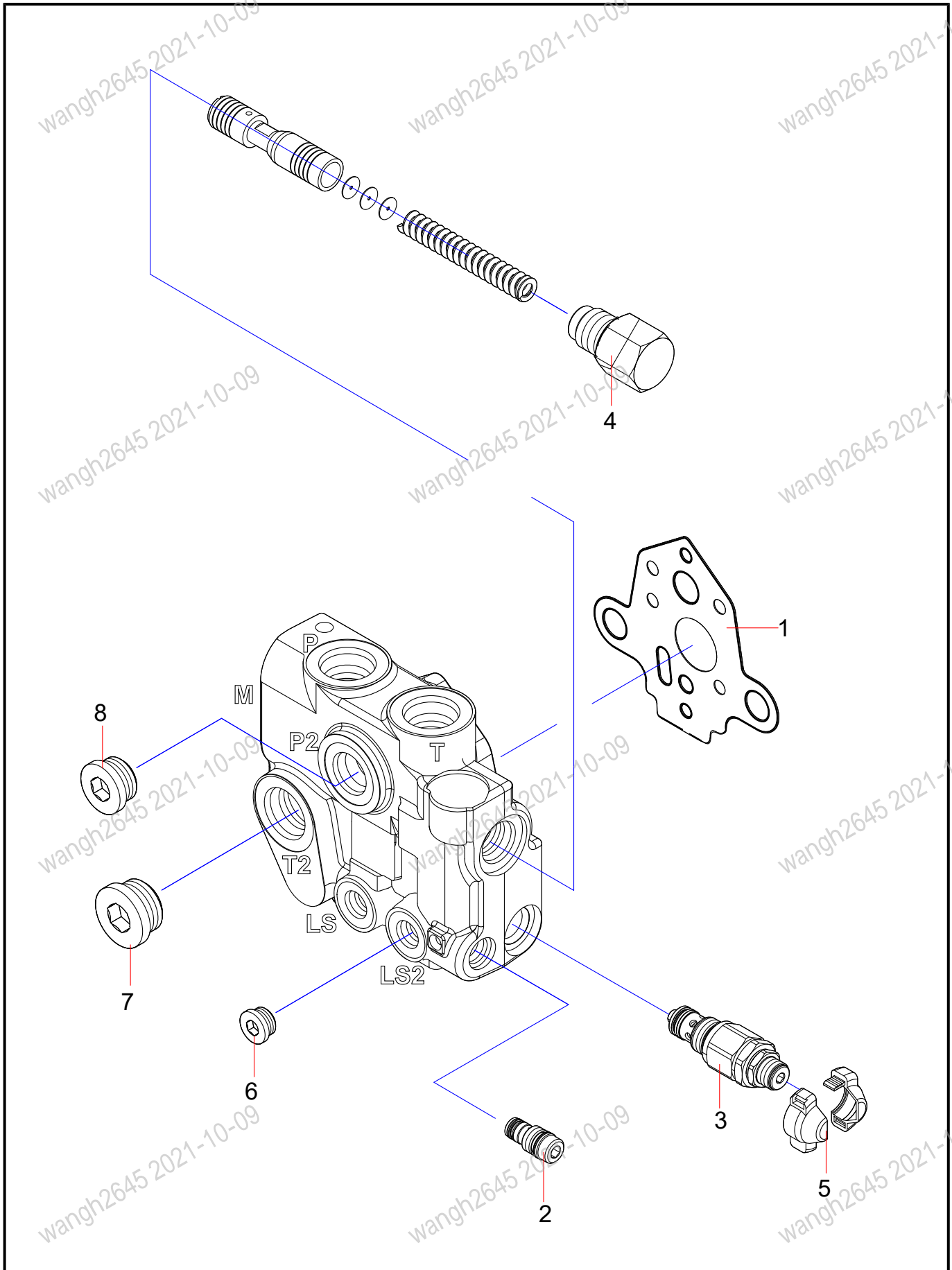


INDEX	PART NO.	DESCRIPTION	QTY	SEE PAGE
1	60222964	Pump Body	1	
2	60222965	CONTROL VALVE	1	
3	61017826	Control valve	1	
4	60222967	LOCKING SCREW	2	
5	60222968	STOP SCREW	1	
6	60222969	NUT	1	
7	60222970	CAP NUT	1	
8	60222971	O-RING	2	
9	60222972	ROTARY GROUP	1	
10	60222973	PRESSURE SPRING	1	
11	60222974	STOP	1	
12	60222975	PUMP HOUSING	1	
13	60222976	PORT PLATE	1	
14	60222977	SCHWENKWIEGE	1	
15	60222978	DRIVE SHAFT	1	
16	60222979	SPRING	1	
17	60222980	ADJUSTMENT SHIM	1	
18	60222981	STOP RING	1	
19	60222982	TAPERED-ROLLER BEARING	1	
20	60222983	TAPERED-ROLLER BEARING	1	
21	60222984	FLAT HEAD SCREW	2	
22	60129465	Shaft seal	1	
23	60222985	O-RING	1	
24	60222986	SEAL RING	2	
25	60222987	RETAINING RING	1	
26	60222988	SOCKET-HEAD SCREW	4	
27	60089894	DOUBLE BREAK-OFF PLUG	4	
28	60291757	CYLINDER PIN	1	
29	60089919	LOCKING SCREW	1	
30	60222990	ROTARY GROUP	1	
31	60222991	CONTROL PLATE	1	
32	60222992	PISTON	9	
33	60222993	CYLINDER	1	
34	60222994	RETAINING PLATE	1	
35	60222995	RETAINING BALL	1	
36	60222996	SPRING	1	
37	60222997	PRESSURE PIN	3	
38	60222998	SEEGER-V-RING	1	
39	60222999	BACK-UP PLATE	1	
40	61017827	Pump maintenance package	1	

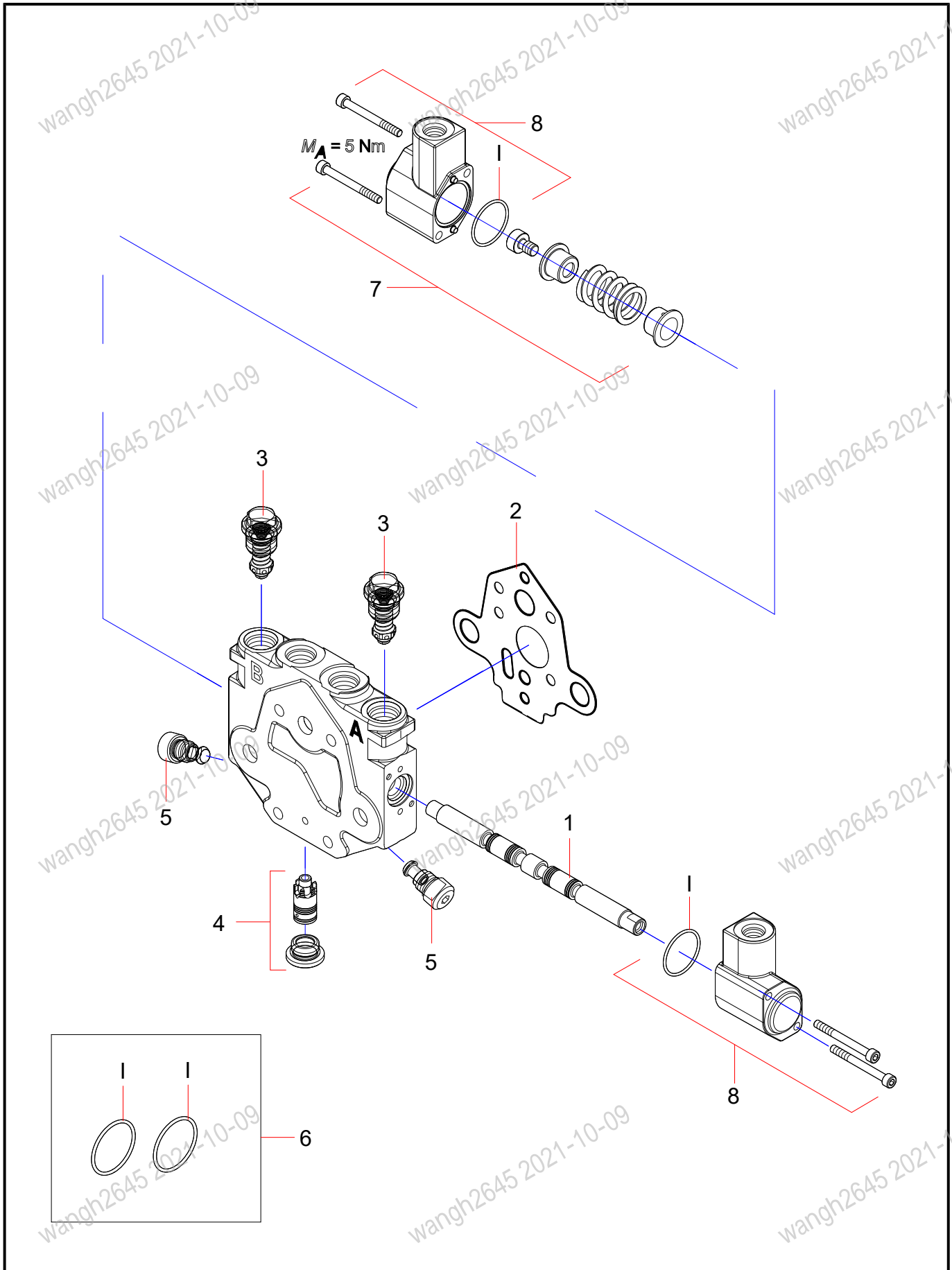


INDEX	PART NO.	DESCRIPTION	QTY	SEE PAGE
1	61020080	Inlet section assy	1	2-98
2	61020081	Dozer blade section assy	1	2-100
3	61020082	Travel section assy	1	2-102
4	61020083	Travel section assy	1	2-104
5	61020084	Slew section assy	1	2-106
6	61020085	Boom swing section assy	1	2-108
7	61020086	Aux2 section assy	1	2-110
8	61020087	Aux1 section assy	1	2-112
9	61020088	Arm section assy	1	2-114
10	61020089	Buc section assy	1	2-116
11	61020090	Boom section assy	1	2-118
12	61020091	Final block	1	
13	60317867	Seal kit between elements	11	
14	60317877	screw assembly	1	
15	61020092	Repair package for main valve	1	

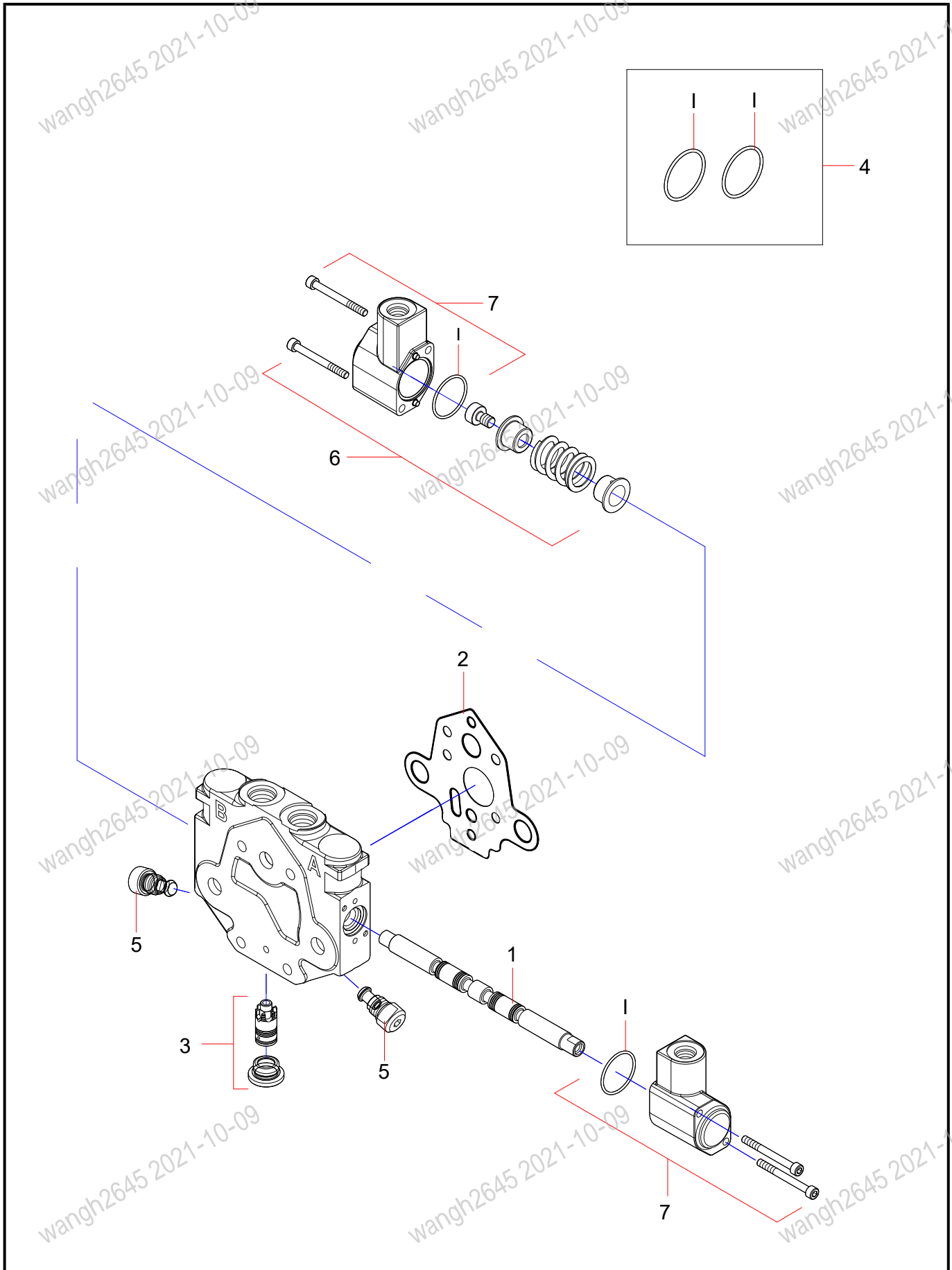
61020080 Inlet section assy



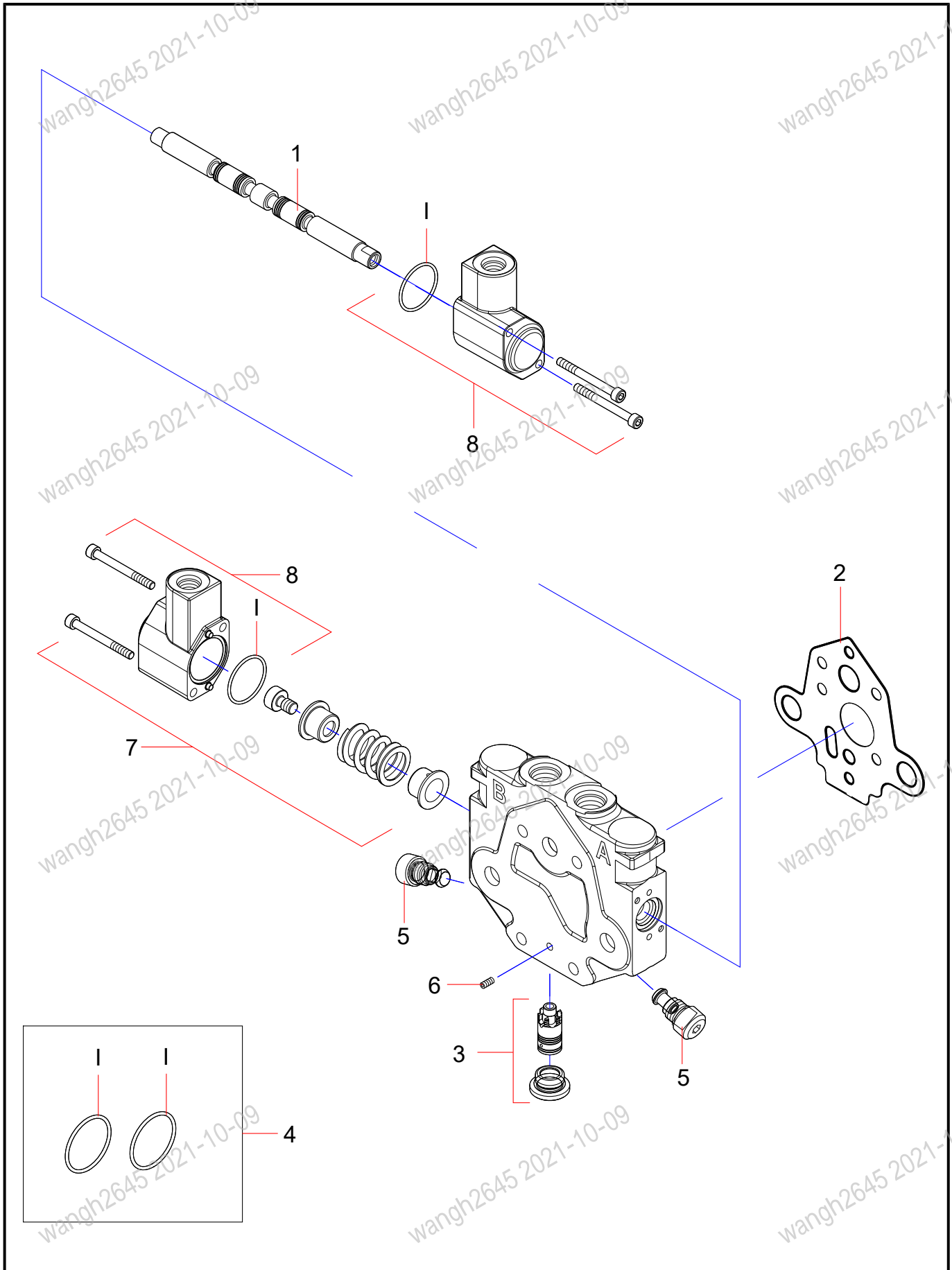
INDEX	PART NO.	DESCRIPTION	QTY	SEE PAGE
1	60317867	Seal kit between elements	1	
2	60317882	Flow regulator	1	
3	60317883	LS Relief Valve	1	
4	60317886	Washing Valv	1	
5	60317884	shield	1	
6	60317880	plug	1	
7	60317881	plug	1	
8	61027186	Plug,G1/2	1	



INDEX	PART NO.	DESCRIPTION	QTY	SEE PAGE
1	61025009	Spool	1	
2	60317867	Seal kit between elements	1	
3	60317889	Secondary Relief Valve	2	
4	60317894	pressure compensation	1	
5	60317890	One-Way Valve	2	
6	61027195	Kit,seals	1	
7	61027188	End cover	1	
8	61027189	End cover	2	

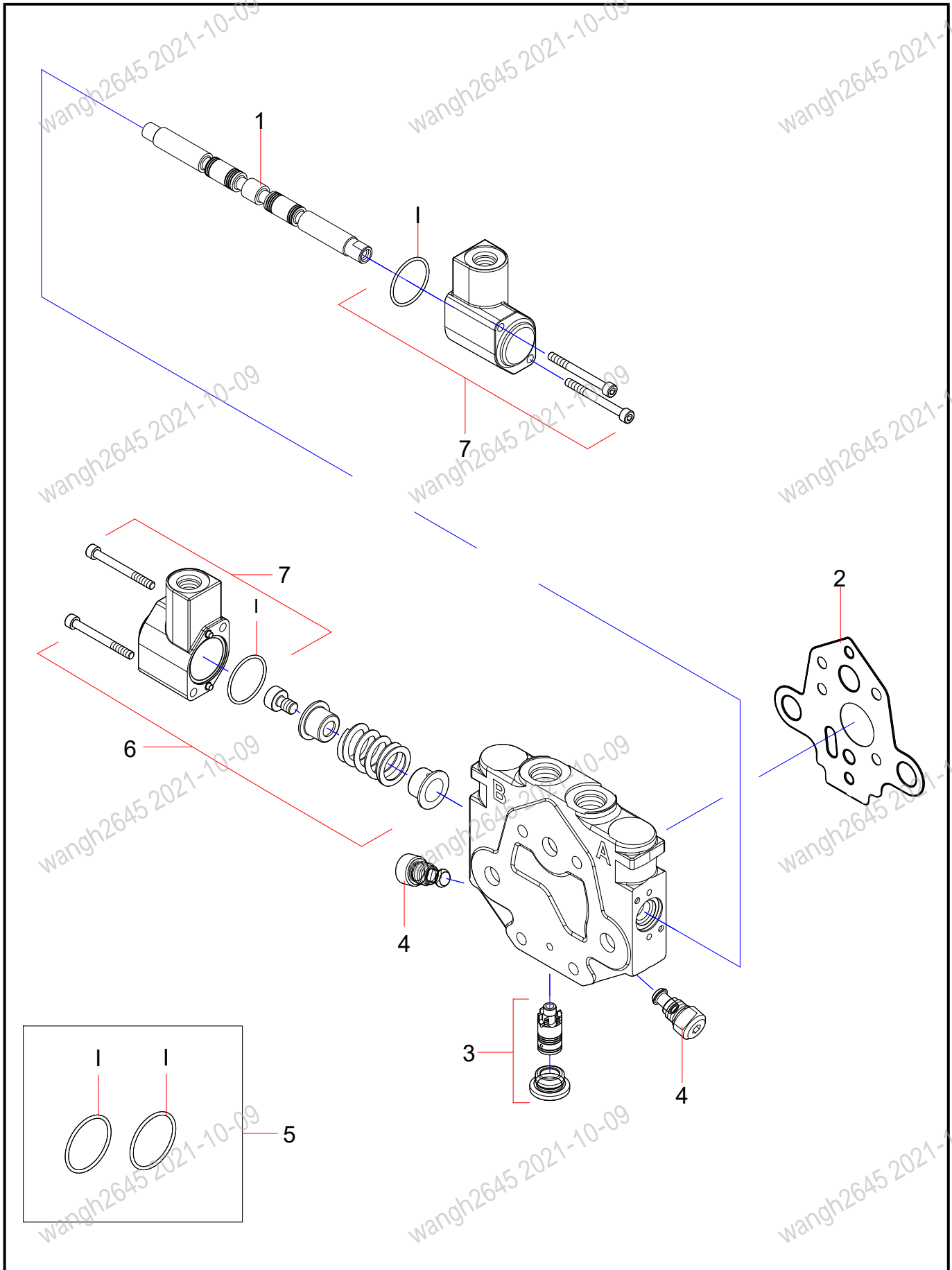


INDEX	PART NO.	DESCRIPTION	QTY	SEE PAGE
1	61025010	Spool	1	
2	60317867	Seal kit between elements	1	
3	60317894	pressure compensation	1	
4	61027195	Kit,seals	1	
5	60317898	plug	2	
6	61027188	End cover	1	
7	61027189	End cover	2	



INDEX	PART NO.	DESCRIPTION	QTY	SEE PAGE
1	61025010	Spool	1	
2	60317867	Seal kit between elements	1	
3	60317894	pressure compensation	1	
4	61027195	Kit,seals	1	
5	60317898	plug	2	
6	60317901	Orifice Of Travel Valve	1	
7	61027188	End cover	1	
8	61027189	End cover	2	

61020084 Slew section assy

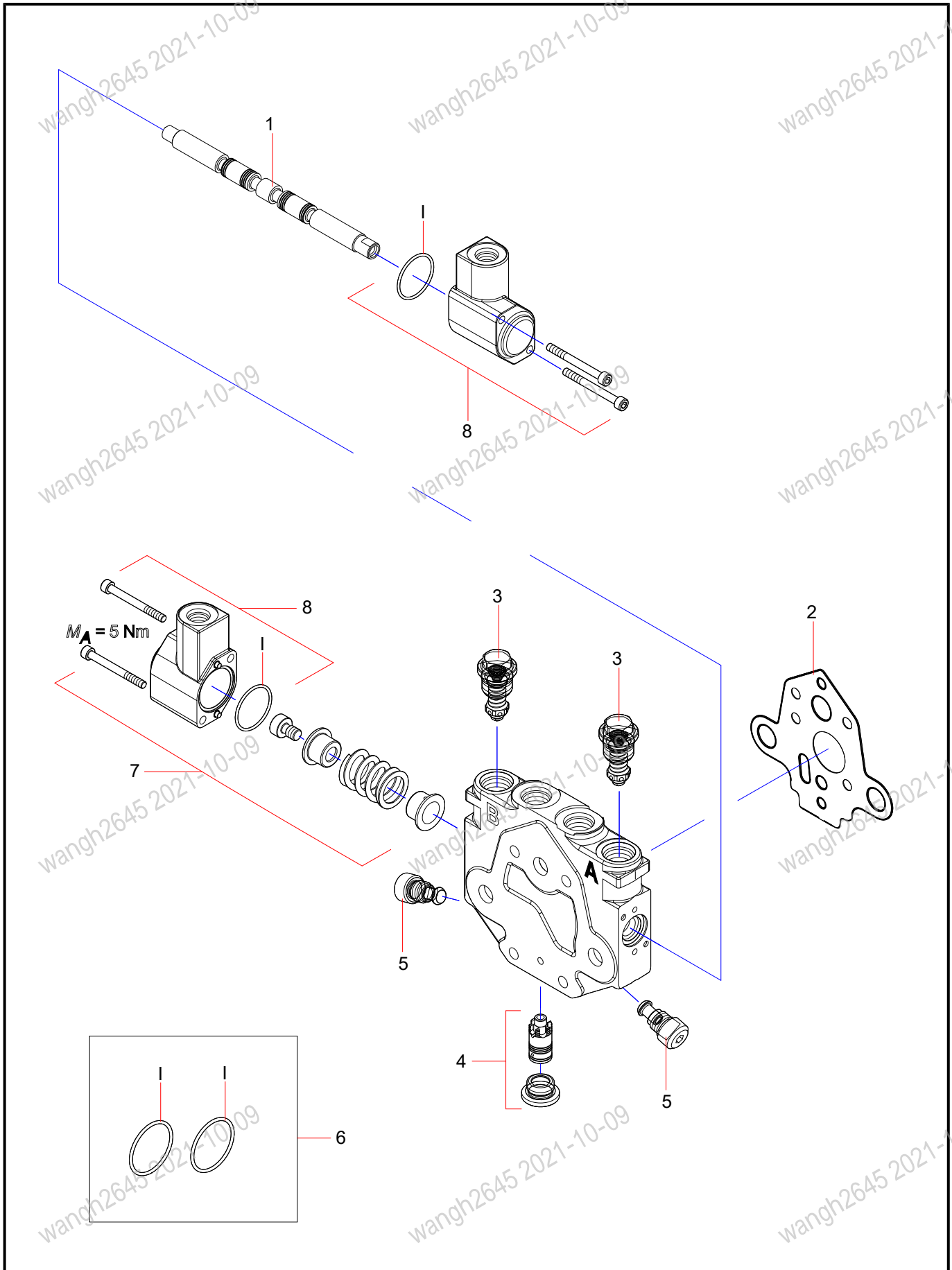


2-106 Superstructure assembly (EU CAB)

SY50C9Y5RU(GB)

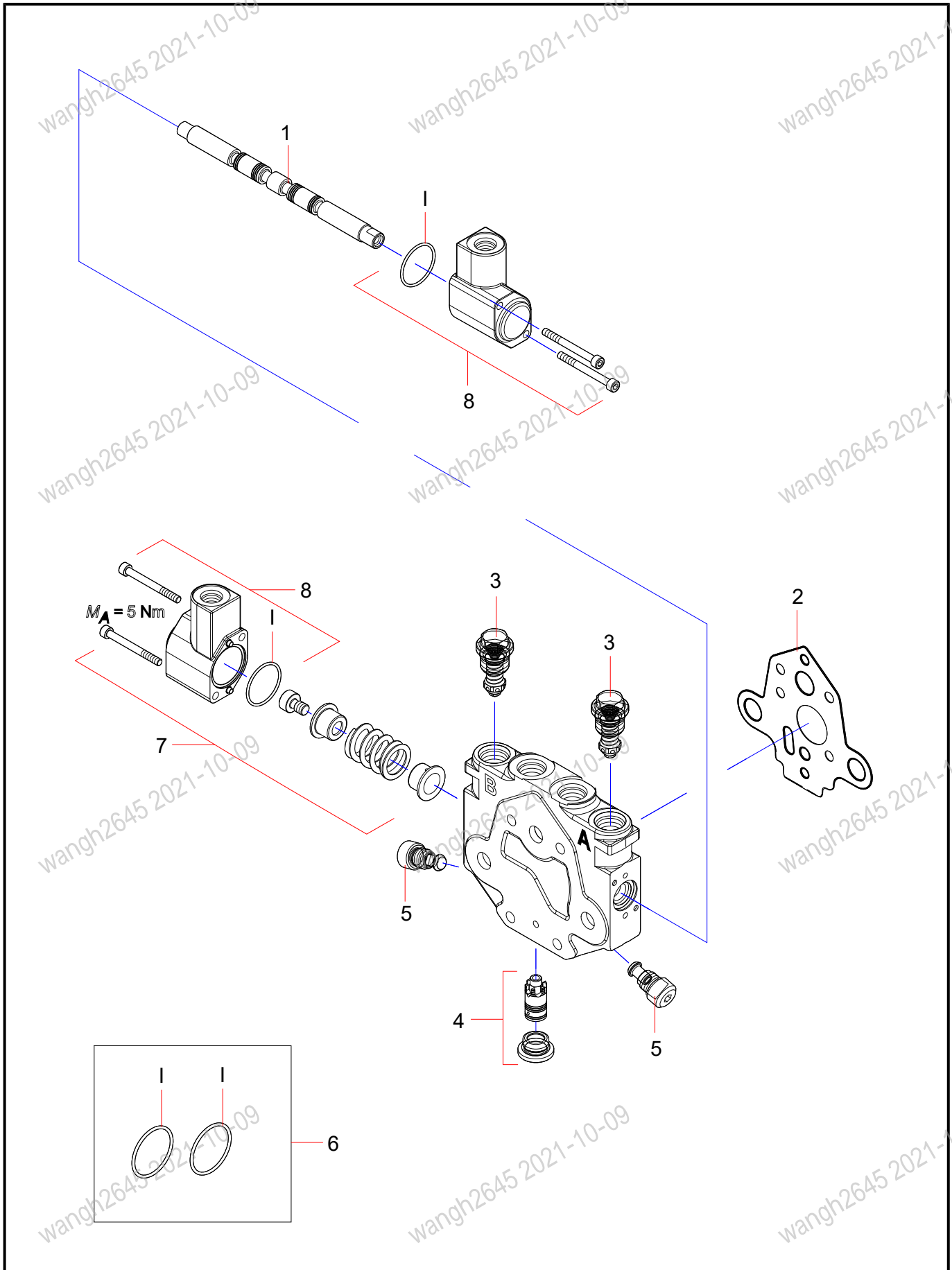
INDEX	PART NO.	DESCRIPTION	QTY	SEE PAGE
1	61025011	Spool	1	
2	60317867	Seal kit between elements	1	
3	60317894	pressure compensation	1	
4	60317890	One-Way Valve	2	
5	61027195	Kit,seals	1	
6	61027191	End cover	1	
7	61027192	End cover	2	

61020085 Boom swing section assy



INDEX	PART NO.	DESCRIPTION	QTY	SEE PAGE
1	61025012	Spool	1	
2	60317867	Seal kit between elements	1	
3	60317889	Secondary Relief Valve	2	
4	60317894	pressure compensation	1	
5	60317890	One-Way Valve	2	
6	61027195	Kit,seals	1	
7	61027188	End cover	1	
8	61027189	End cover	2	

61020086 Aux2 section assy

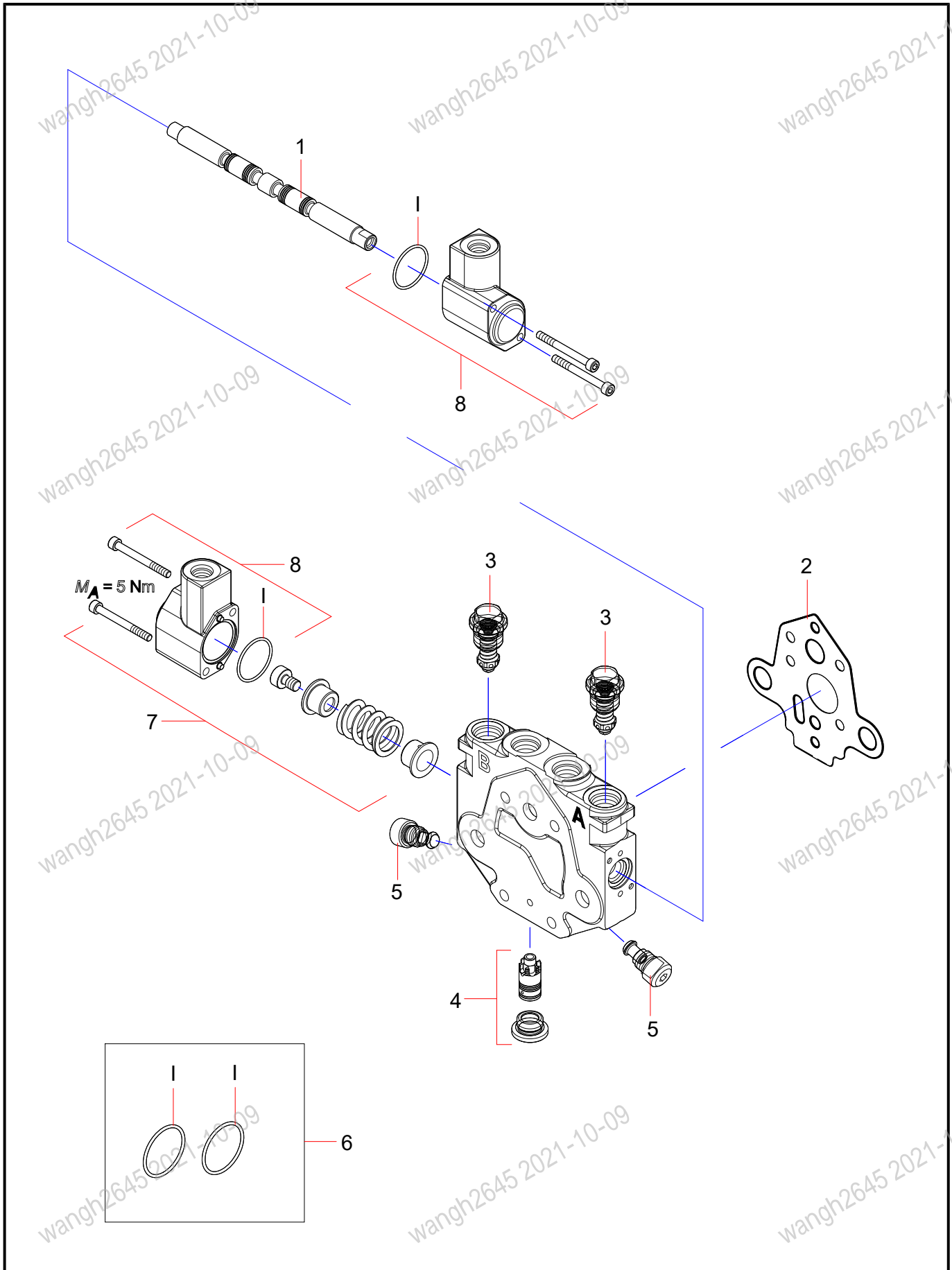


2-110 Superstructure assembly (EU CAB)

SY50C9Y5RU(GB)

INDEX	PART NO.	DESCRIPTION	QTY	SEE PAGE
1	61025013	Spool	1	
2	60317867	Seal kit between elements	1	
3	60317889	Secondary Relief Valve	2	
4	60317894	pressure compensation	1	
5	60317890	One-Way Valve	2	
6	61027195	Kit,seals	1	
7	61027188	End cover	1	
8	61027189	End cover	2	

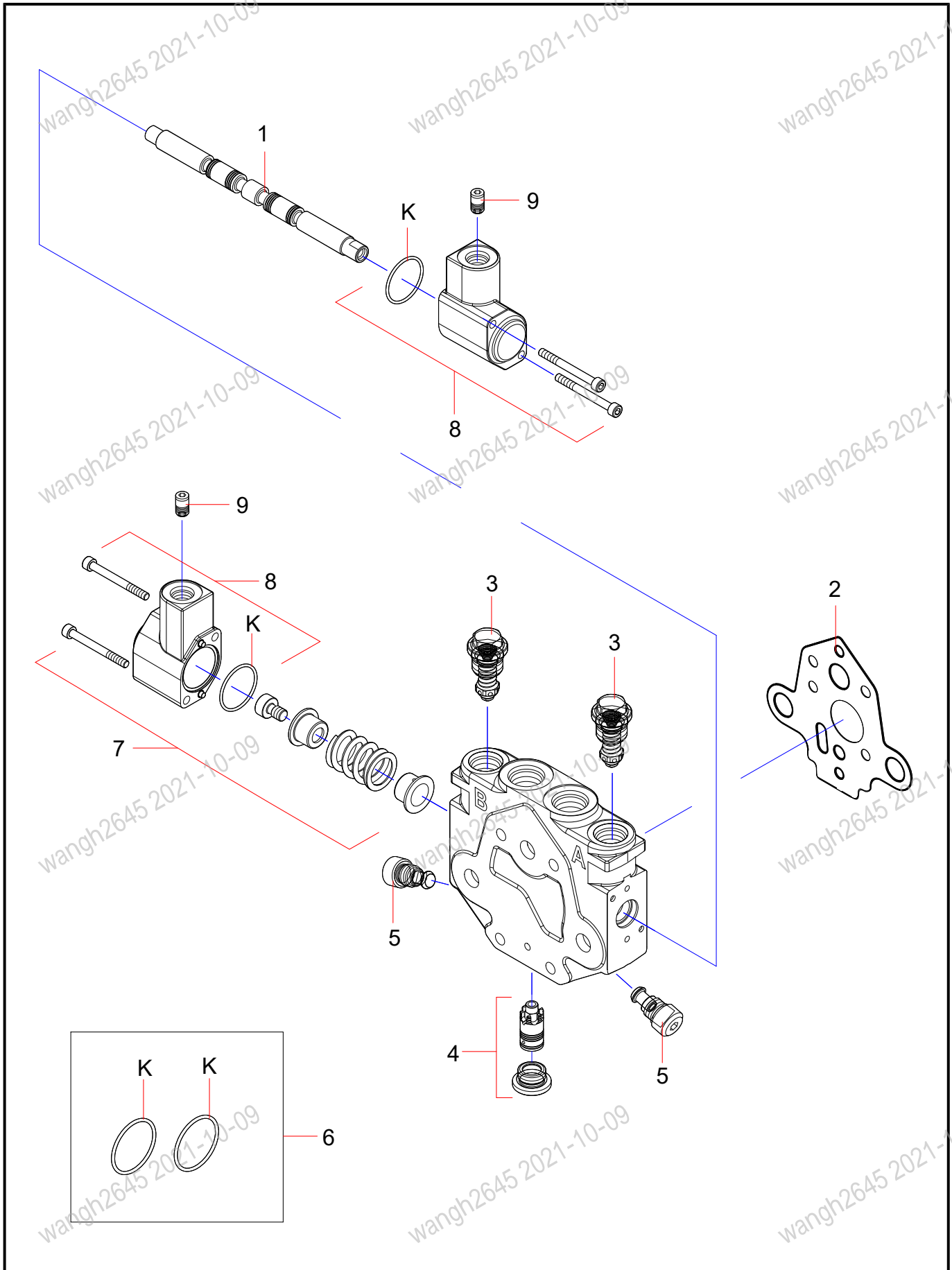
61020087 Aux1 section assy



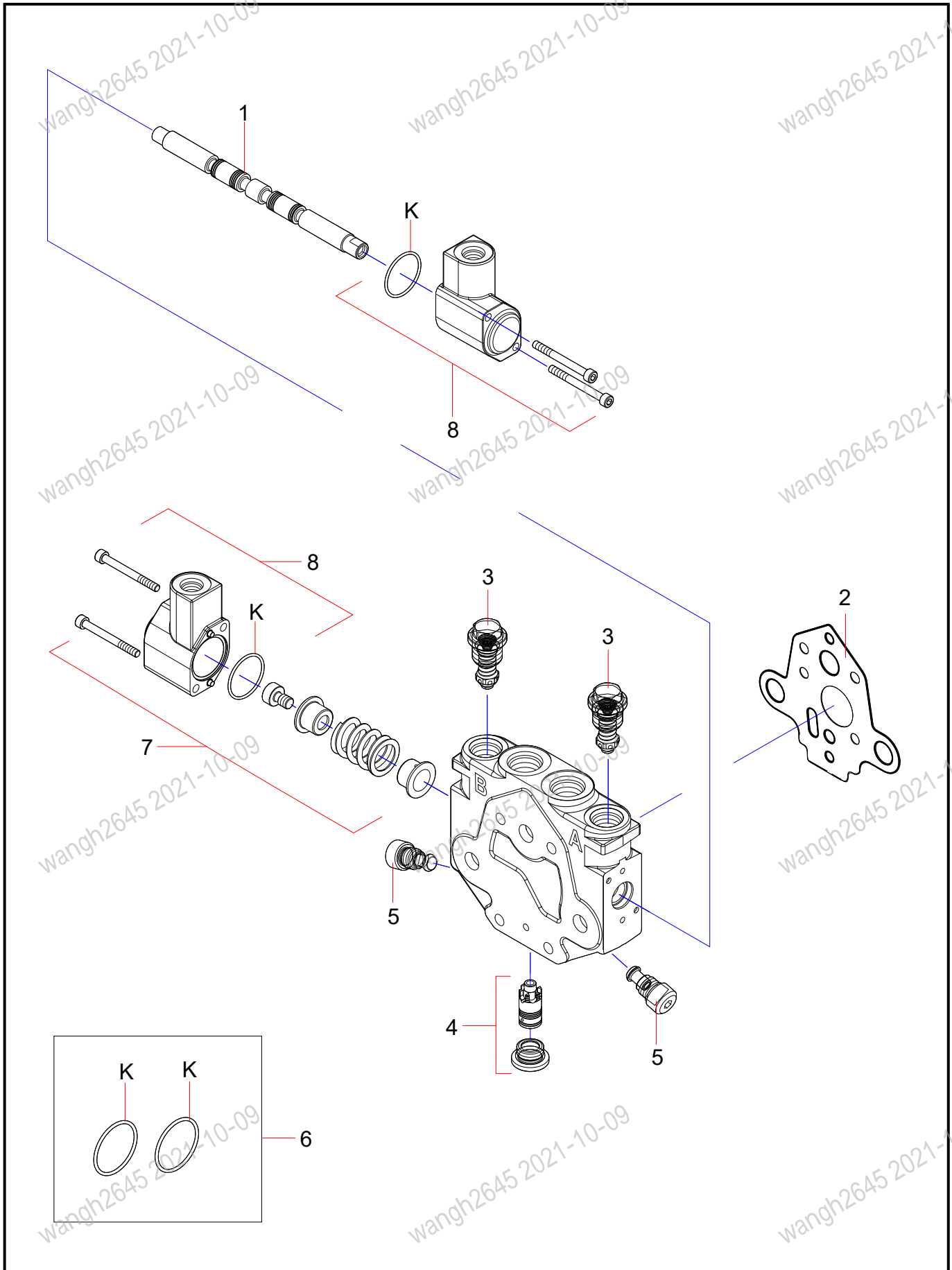
2-112 Superstructure assembly (EU CAB)

SY50C9Y5RU(GB)

INDEX	PART NO.	DESCRIPTION	QTY	SEE PAGE
1	61025014	Spool	1	
2	60317867	Seal kit between elements	1	
3	61027184	Port relief valve	2	
4	60317894	pressure compensation	1	
5	60317890	One-Way Valve	2	
6	61027195	Kit,seals	1	
7	61027188	End cover	1	
8	61027189	End cover	2	

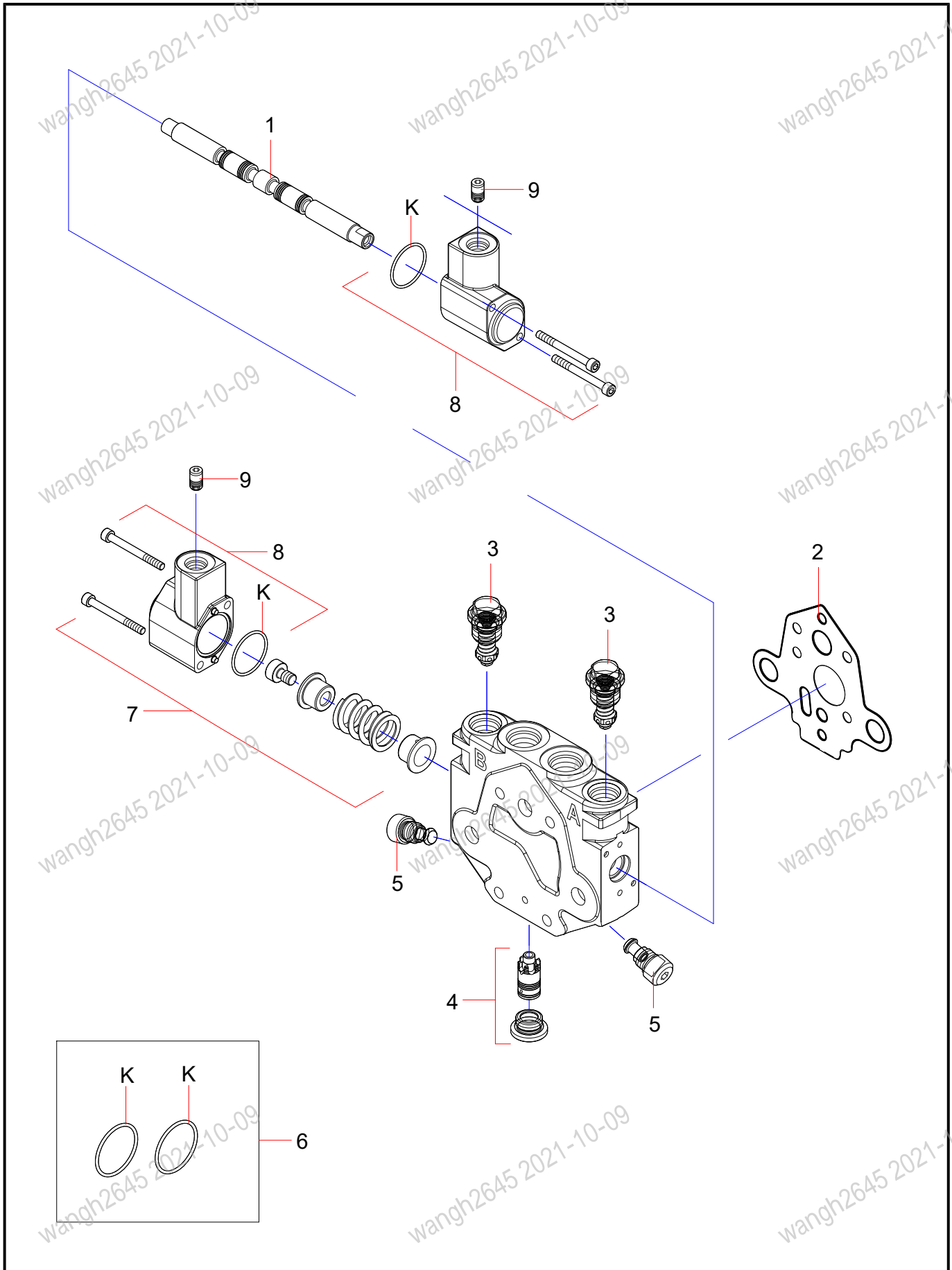


INDEX	PART NO.	DESCRIPTION	QTY	SEE PAGE
1	61025016	Spool	1	
2	60317867	Seal kit between elements	1	
3	60317889	Secondary Relief Valve	2	
4	61027185	Compensation with plug	1	
5	60317890	One-Way Valve	2	
6	61027194	Kit,seals	1	
7	61027187	End cover	1	
8	60317887	End cover	2	
9	61027193	Damping plug	2	

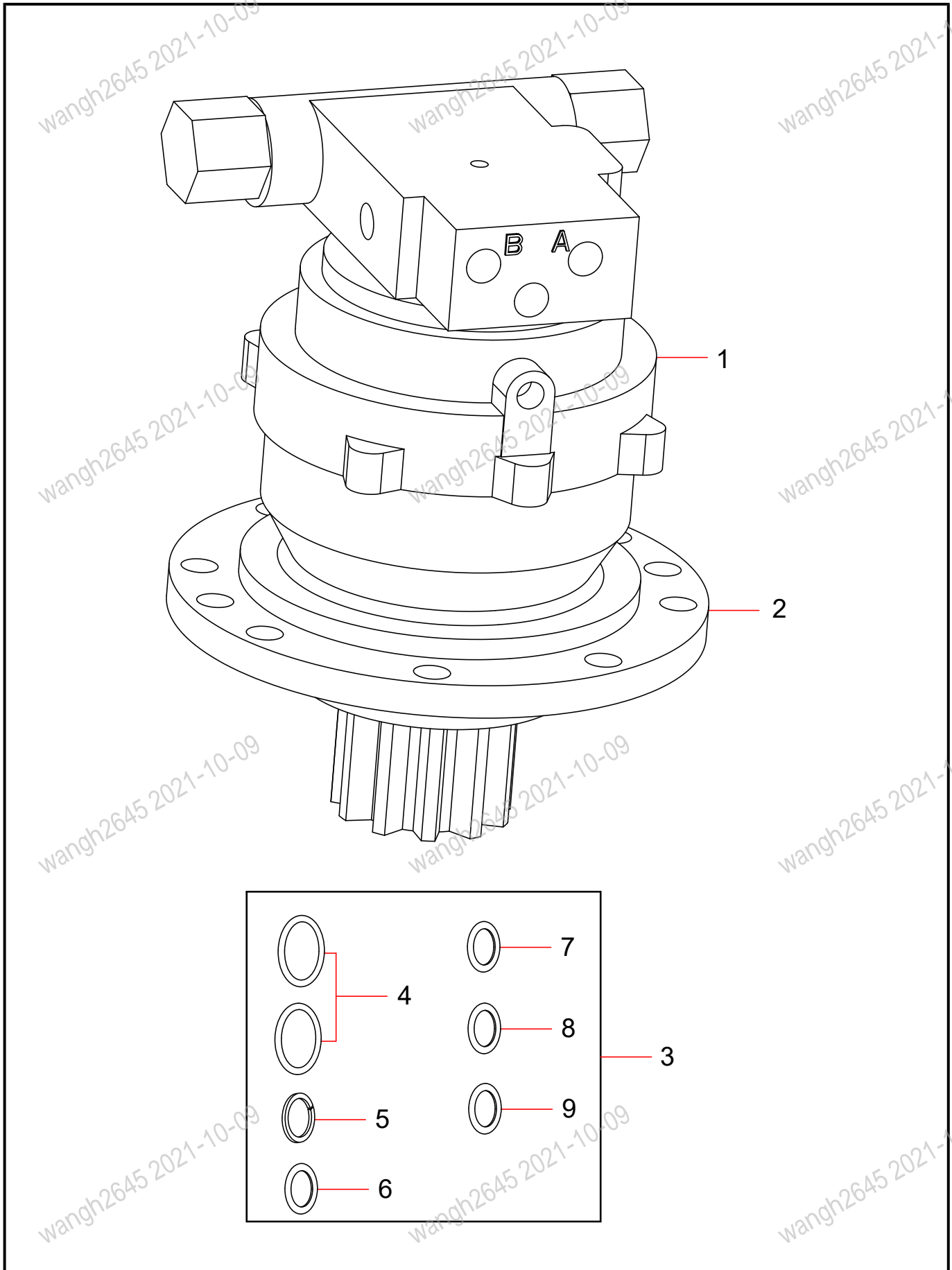


INDEX	PART NO.	DESCRIPTION	QTY	SEE PAGE
1	61025015	Spool	1	
2	60317867	Seal kit between elements	1	
3	60317889	Secondary Relief Valve	2	
4	60317894	pressure compensation	1	
5	60317890	One-Way Valve	2	
6	61027194	Kit,seals	1	
7	61027187	End cover	1	
8	60317887	End cover	2	

61020090 Boom section assy

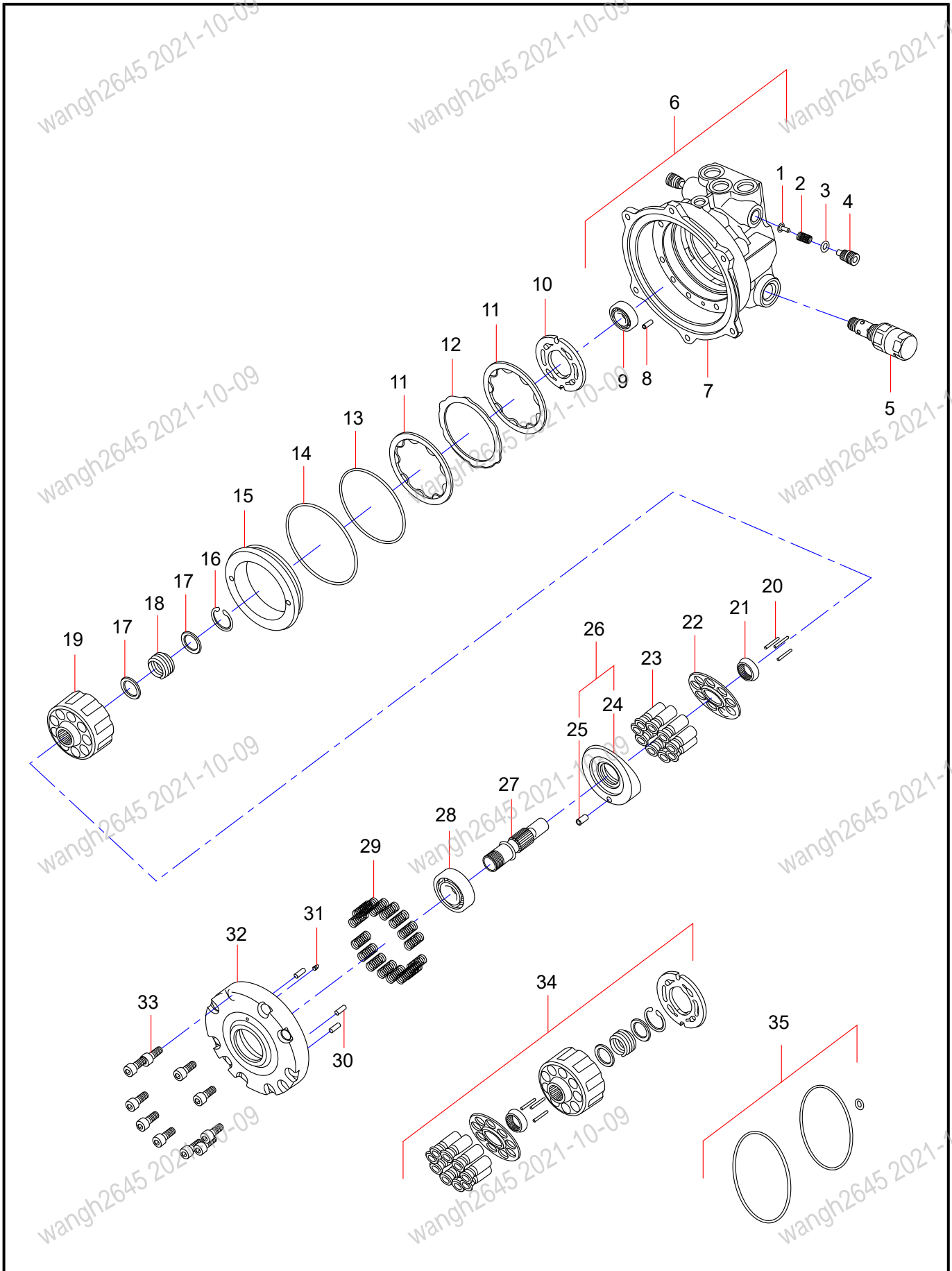


INDEX	PART NO.	DESCRIPTION	QTY	SEE PAGE
1	61025017	Spool	1	
2	60317867	Seal kit between elements	1	
3	60317889	Secondary Relief Valve	2	
4	60317896	pressure compensation	1	
5	60317890	One-Way Valve	2	
6	61027194	Kit,seals	1	
7	61027187	End cover	1	
8	60317887	End cover	2	
9	61027193	Damping plug	2	

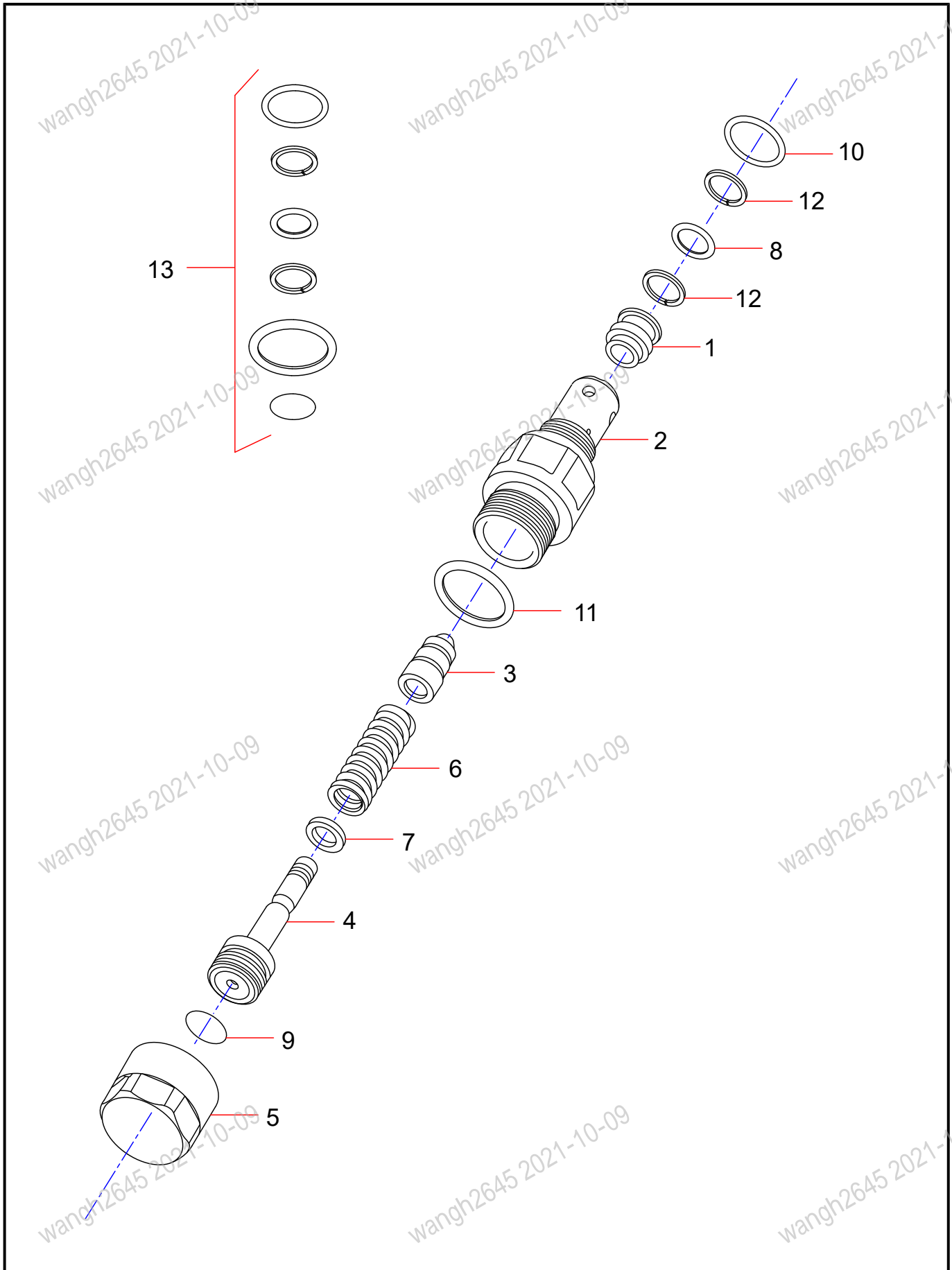


INDEX	PART NO.	DESCRIPTION	QTY	SEE PAGE
1		Hydraulic motor group	1	2-122
2		REDUCTION GEAR ASSEMBLY	1	2-126
3	60266025	Reducer assembly repair kit	1	2-128
4	60164379	O-ring	2	
5	60164377	O RING	1	
6	60164378	O-ring	1	
7	60164374	O RING	1	
8	60164393	OIL SEAL	1	
9	60164392	RING SEAL	1	

Hydraulic motor group

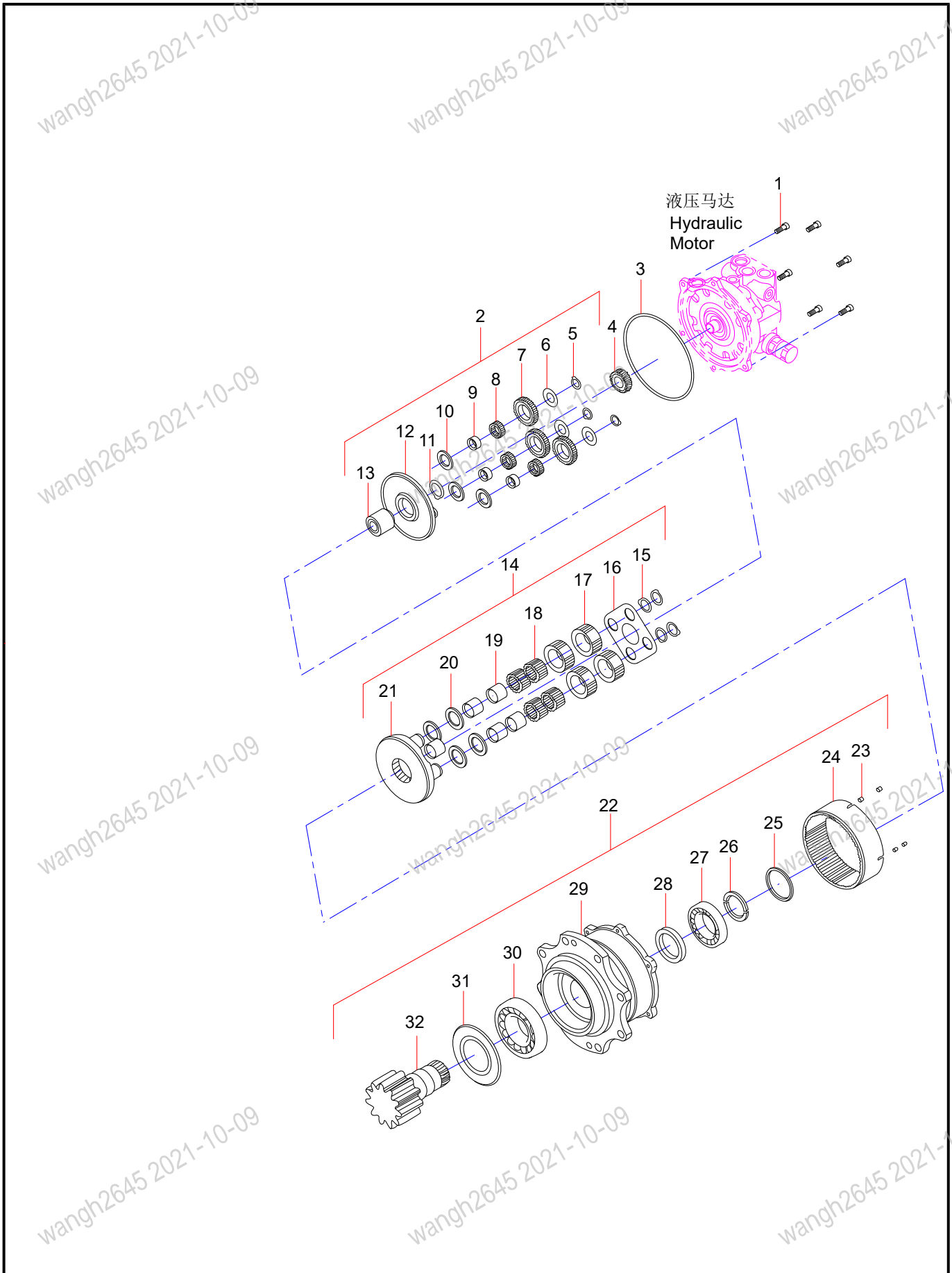


INDEX	PART NO.	DESCRIPTION	QTY	SEE PAGE
1	60164173	CHECK VALVE	2	
2	60164234	SPRING	2	
3	60164379	O-ring	2	
4	60164268	PLUG	2	
5	60164187	RELIEF VALVE	2	2-124
6	60164224	BODY J KIT SUN ASSY	1	
7	60164223	BODY H	1	
8	60164243	SPRING PIN	1	
9	60164197	BEARING	1	
10	60164317	VALVE PLATE	1	
11	60164164	DISK PLATE	2	
12	60164163	STEEL PLATE	1	
13	60164377	O RING	1	
14	60164378	O-ring	1	
15	60164355	BRAKE PISTON	1	
16	60167124	SNAP PING	1	
17	60164253	RETAINER	2	
18	60164222	SPRING C	1	
19	60164157	CYLINDER BARREL	1	
20	60164328	PIN	3	
21	60164320	BARREL HOLDER	1	
22	60164165	SHOE HOLDER	1	
23	60164358	PISTON ASSY	1	
24	60164332	SWASH PLATE	1	
25	60164326	PIN	1	
26	60164333	SWASH PLATE KIT SUN ASSY	1	
27	60164227	SHAFT	1	
28	60164198	BEARING	1	
29	60164232	SPRING B	16	
30	60164322	Pin	3	
31	60164220	FILTER	1	
32	60164335	PLATR S	1	
33	60164376	Screw	10	
34	60164358	PISTON ASSY	9	
35	60164336	Kit, Seal	1	

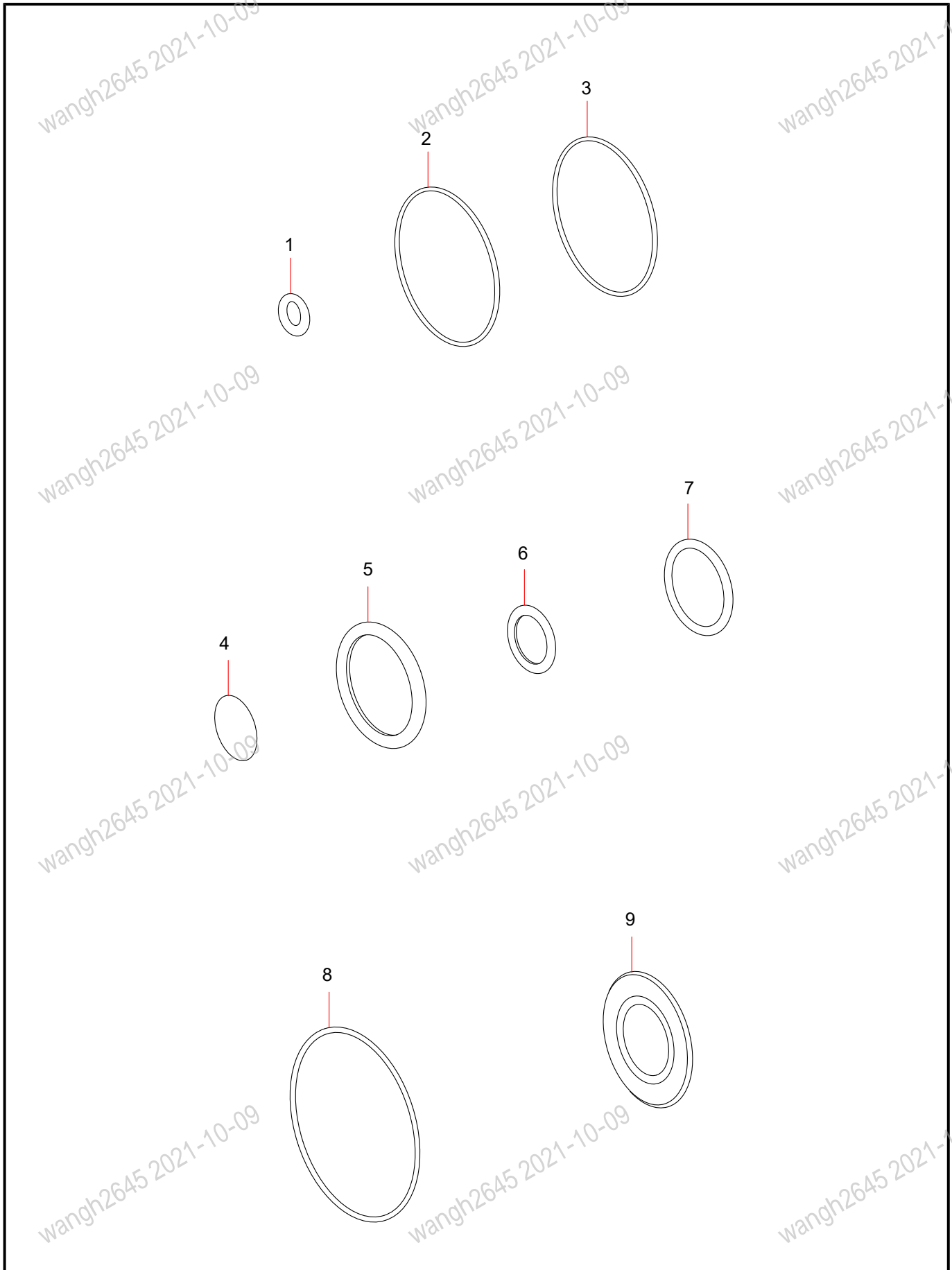


INDEX	PART NO.	DESCRIPTION	QTY	SEE PAGE
1	60164275	SEAT	1	
2	60164176	RETAINER	1	
3	60164183	POPPET	1	
4	60164184	PISTON	1	
5	60164270	CAP	1	
6	60164238	SPRING	1	
7	60164244	SPACER	1	
8	60164380	O-ring	1	
9	60164384	O-ring	1	
10	60164385	O-ring	1	
11	60164381	O-ring	1	
12	60164340	BACK UP RING	2	
13	60164225	Kit, seal	1	

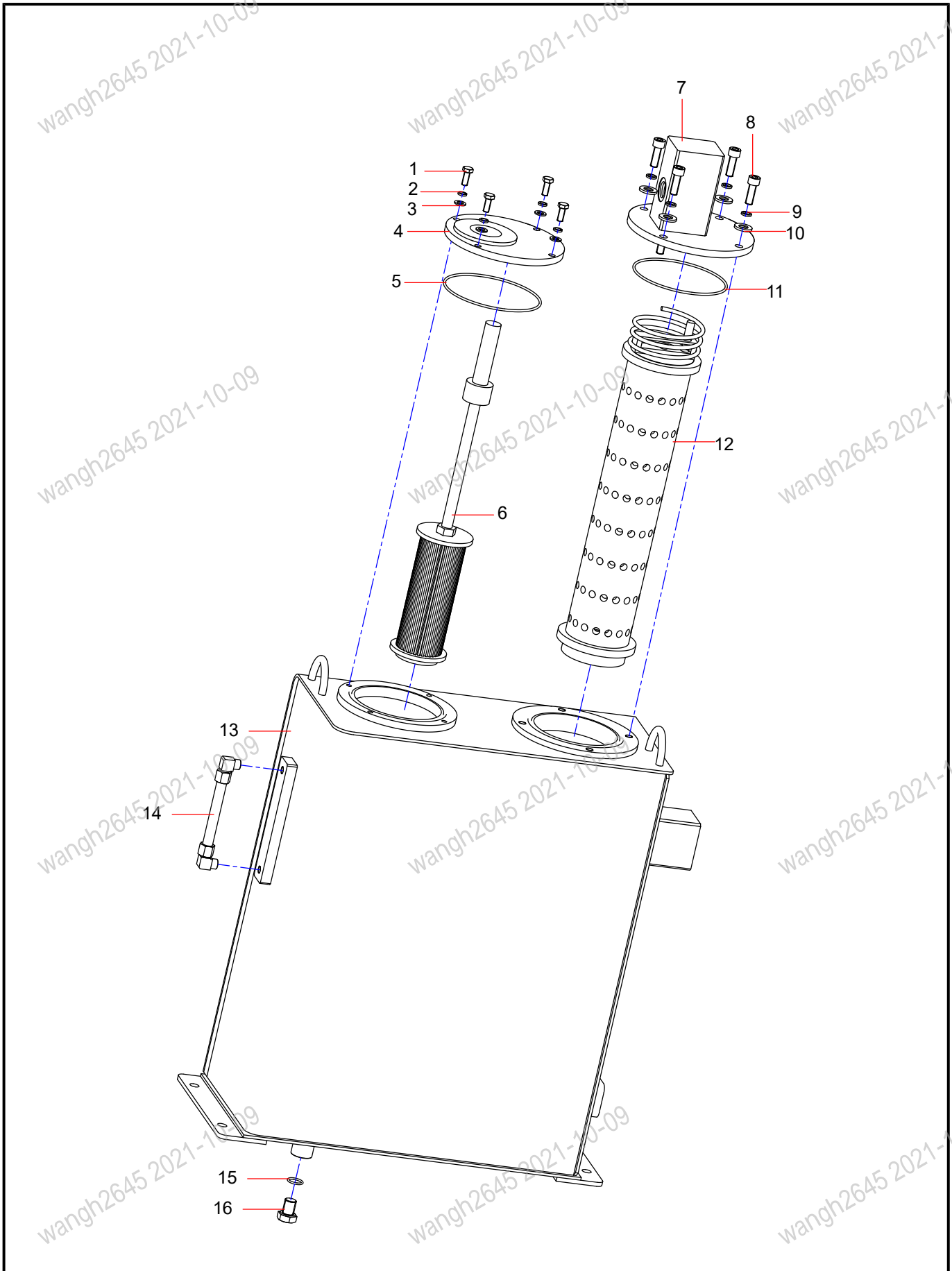
REDUCTION GEAR ASSEMBLY



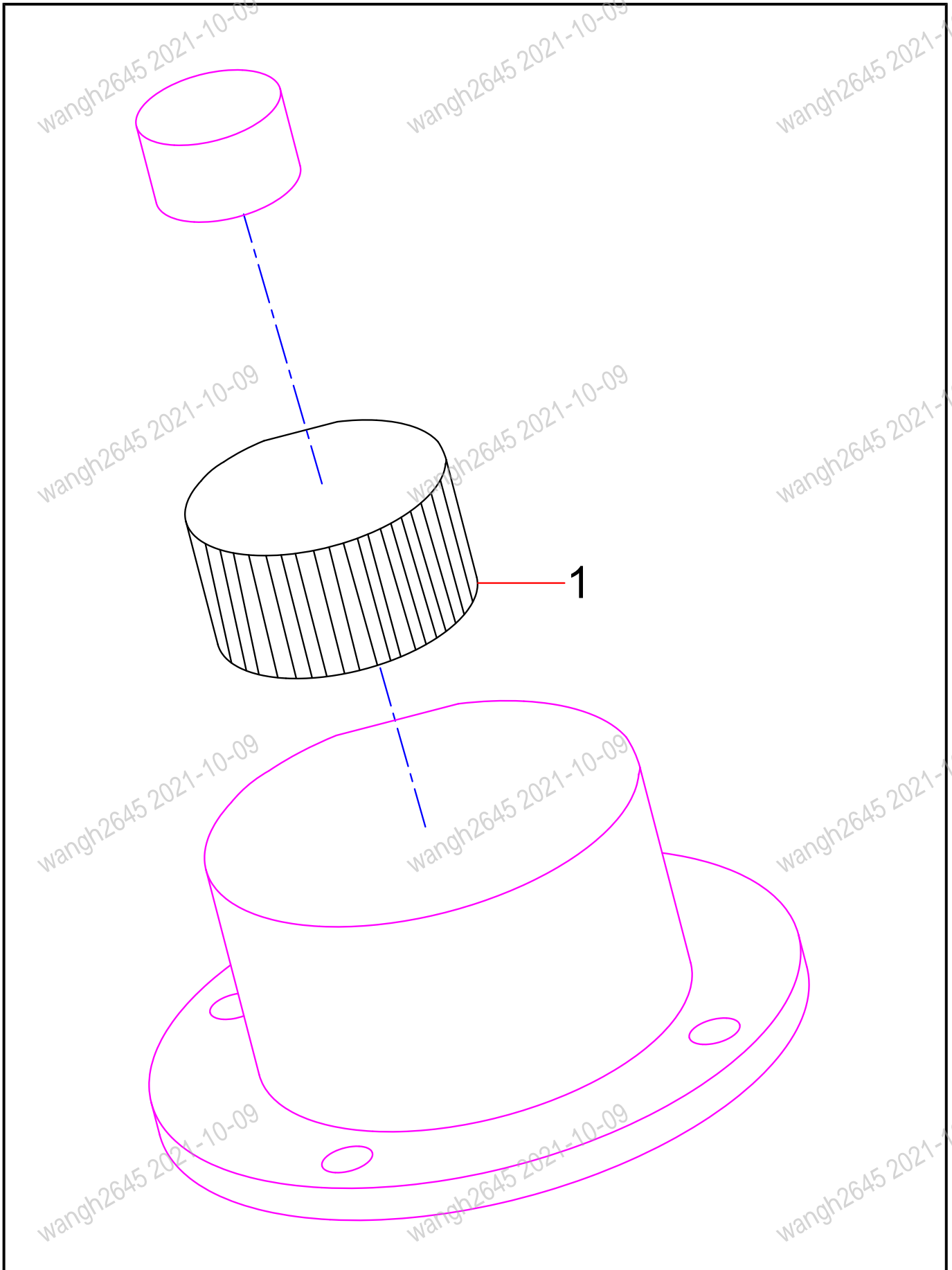
INDEX	PART NO.	DESCRIPTION	QTY	SEE PAGE
1	60164310	Screw	6	
2	60164152	CARRIER 2 KIT	1	
3	60164374	O RING	1	
4	60164213	S2 GEAR	1	
5	60164301	SNAP RING	3	
6	60164256	THRUST WASHER	3	
7	60164207	B2 GEAR	3	
8	60164212	NEEDLE	69	
9	60164396	RING 2	3	
10	60164254	THRUST WASHER	3	
11	60164300	SNAP RING	1	
12	60164146	CARRIER 2	1	
13	60164209	S1 GEAR	1	
14	60164151	CARRIER 1 KIT	1	
15	60167123	SNAP RING	4	
16	60167120	THRUST PLATE	1	
17	60164205	B1 GEAR	4	
18	60164211	NEEDLE	92	
19	60164398	RING 1	4	
20	60164350	THRUST PLATE	4	
21	60164150	CARRIER 1	1	
22	60164214	REDUCTION GEAR SUN ALLY	1	
23	60164327	PIN	4	
24	60164215	A INTERNAL GEAR	1	
25	60164250	RING	1	
26	60164255	THRUST WASHER	2	
27	60164203	BEARING	1	
28	60164393	OIL SEAL	1	
29	60164305	BODY	1	
30	60164202	BEARING	1	
31	60164392	RING SEAL	1	
32	60164330	PINION SHAFT	1	



INDEX	PART NO.	DESCRIPTION	QTY	SEE PAGE
1	60164379	O-ring	2	
2	60164377	O RING	1	
3	60164378	O-ring	1	
4	60164384	O-ring	1	
5	60164381	O-ring	1	
6	60164380	O-ring	1	
7	60164385	O-ring	1	
8	60164374	O RING	1	
9	60164392	RING SEAL	1	

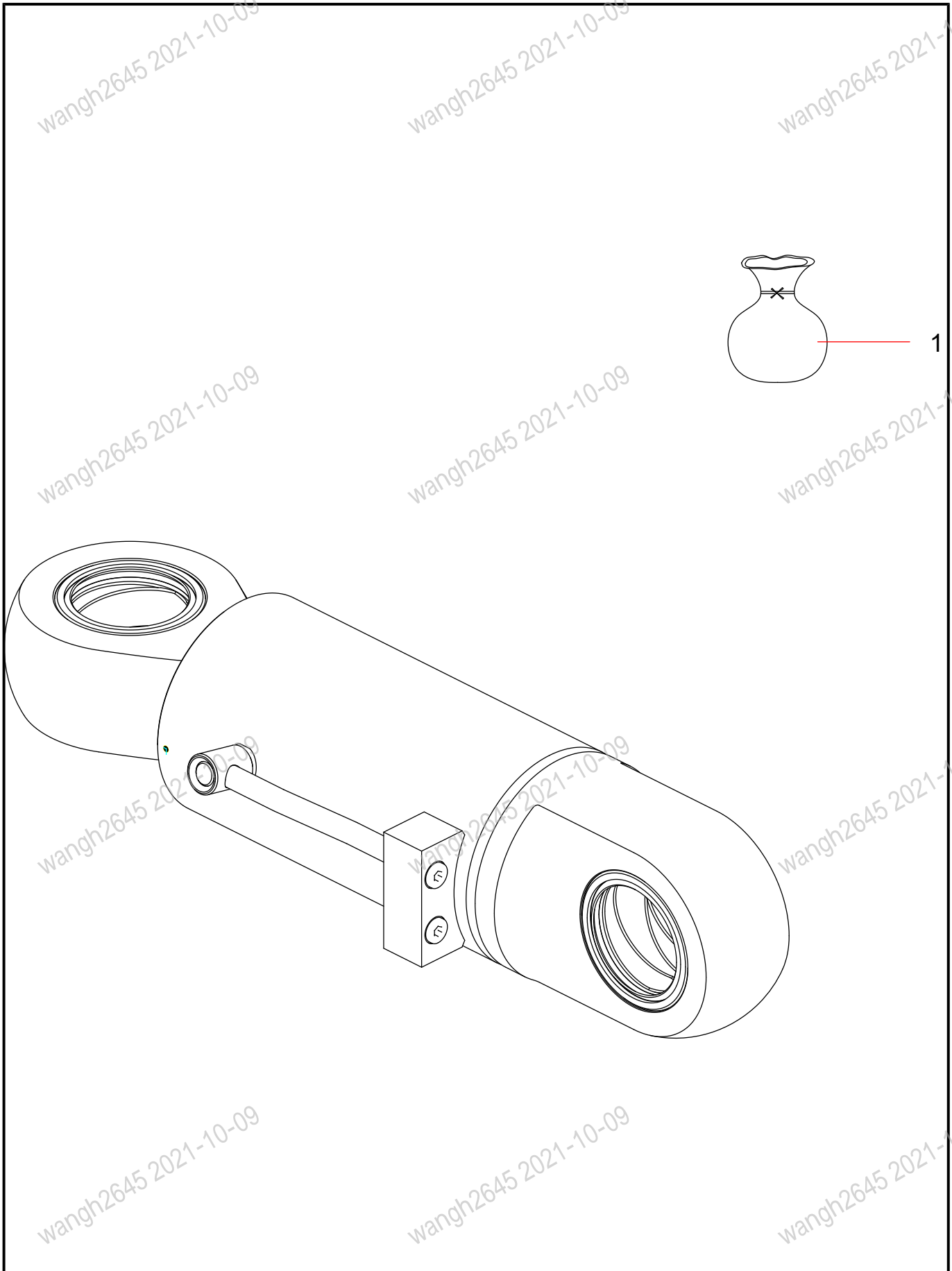


INDEX	PART NO.	DESCRIPTION	QTY	SEE PAGE
1	A210111000343	Bolt	4	
2	24000511	Washer	4	
3	24000633	Washer	4	
4	13509287	plate	1	
5	A210608000018	O-ring	1	
6	60167908	Filtercore	1	
7	13850290	Oil return cap	1	
8	A210204000354	Screw	4	
9	24000512	Washer	4	
10	A210491000120	Washer	4	
11	B230101000614	O-ring	1	
12	60072195	Oil Return Filter	1	
13	13849800	Hydraulic Fuel Tank	1	
14	A250100000174	Liquid Level Thermometer	1	
15	B230101000090	O-ring	1	
16	60118026	Plug	1	



INDEX	PART NO.	DESCRIPTION	QTY	SEE PAGE
1	60174894	Filter, hydraulic tank breather	1	

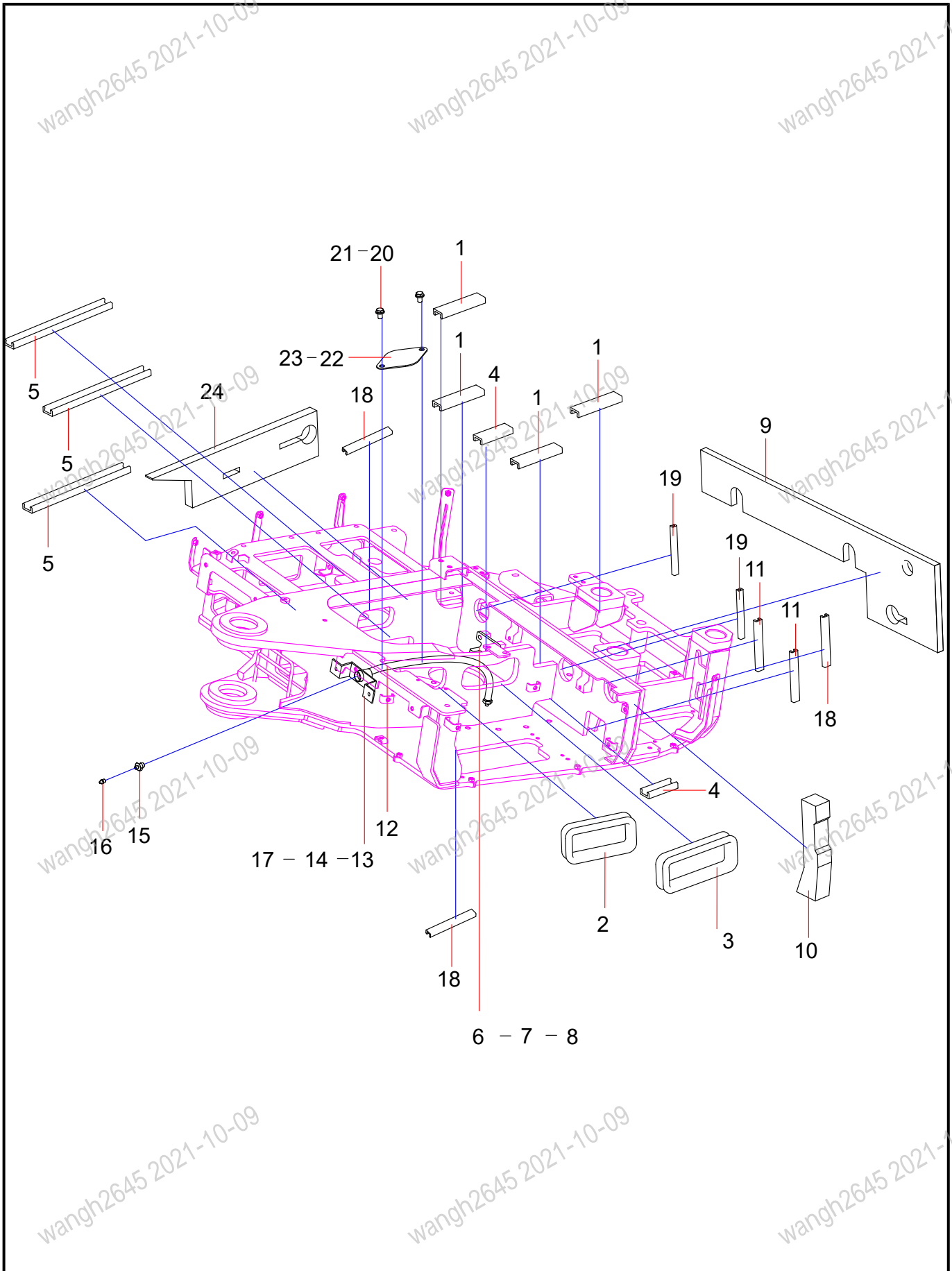
13726940 Bulldozing shovel oil cylinder



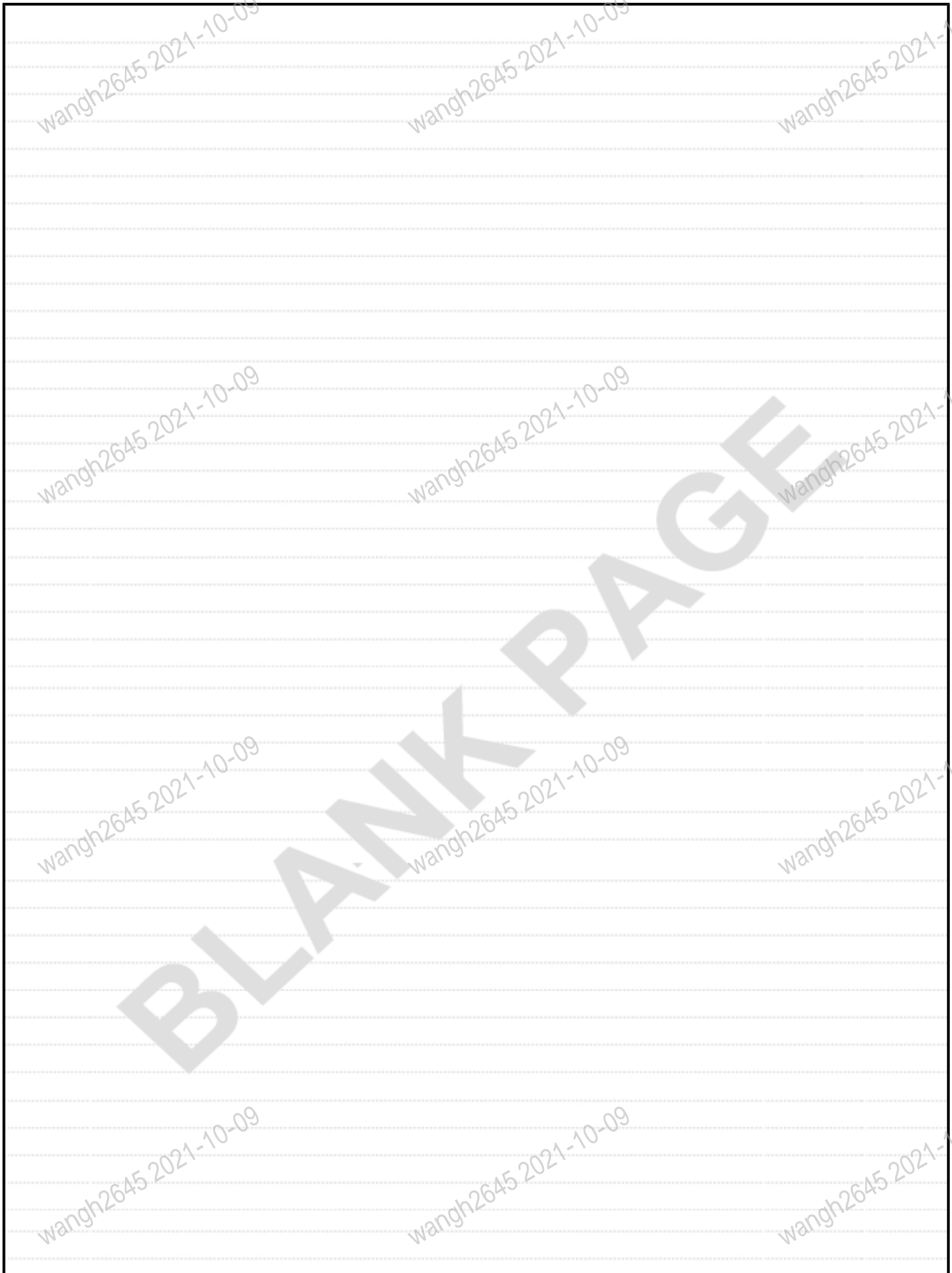
2-134 Superstructure assembly (EU CAB)

SY50C9Y5RU(GB)

INDEX	PART NO.	DESCRIPTION	QTY	SEE PAGE
1	13733689	sealer package	1	

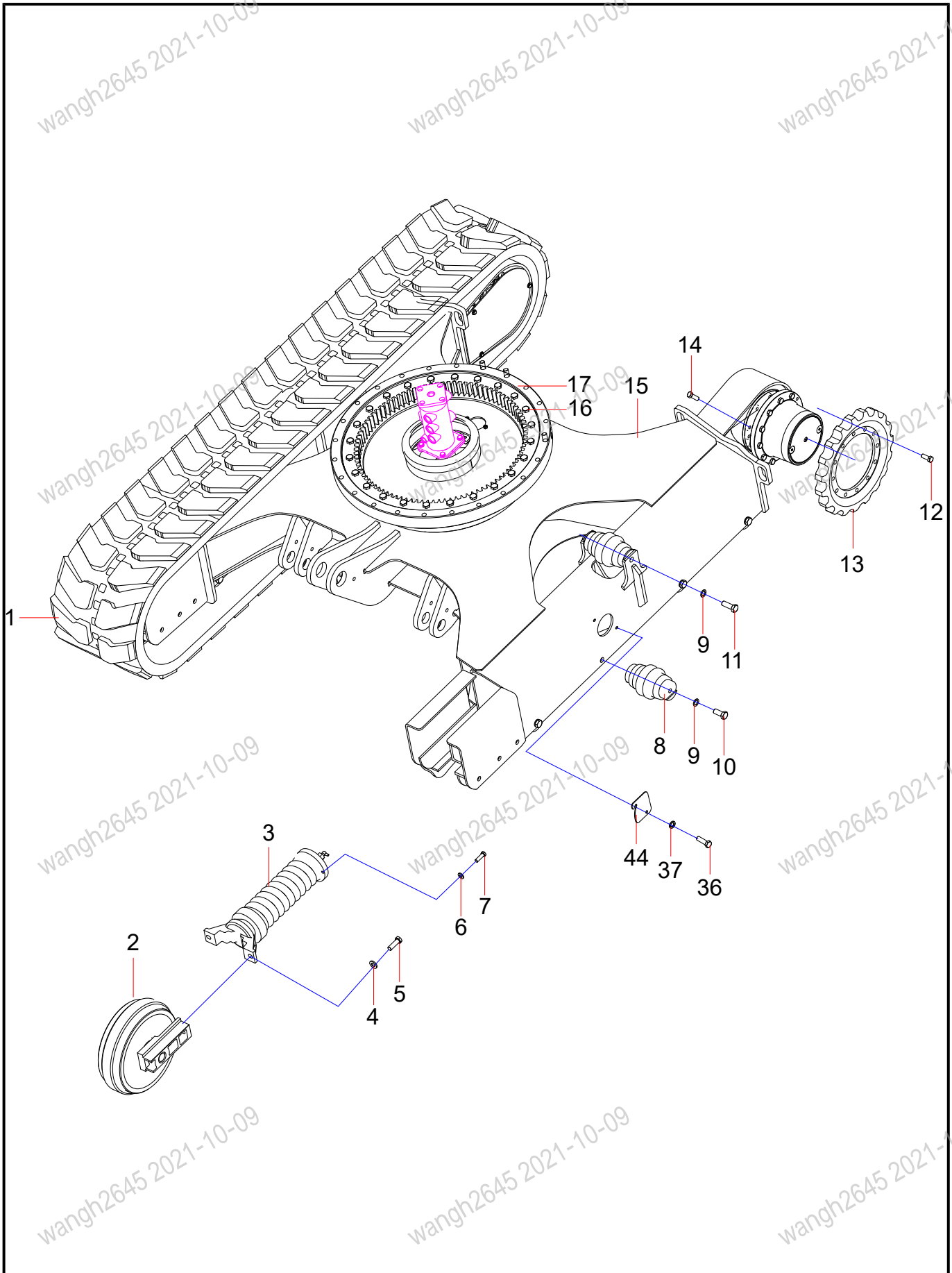


INDEX	PART NO.	DESCRIPTION	QTY	SEE PAGE
1	13447217	Protective sleeve	4	
2	13447218	Protective sleeve	1	
3	13447219	Protective sleeve	1	
4	13447215	Protective sleeve	2	
5	13447214	Protective sleeve	3	
6	24000637	Washer	2	
7	A210111000197	Bolt	2	
8	13080058	fixed frame	1	
9	13447222	sealing sponge	1	
10	13572752	sealing sponge	1	
11	11225695	Protective sleeve	2	
12	23991025	Rubber Hose	1	
13	24000632	Washer	2	
14	A210204000172	Screw	2	
15	A820205000858	Fitting	2	
16	A210804000002	Fitting, Grease	1	
17	13774671	plate assembly	1	
18	11133774	Protective Sleeve	3	
19	11133788	Protective Sleeve	2	
20	A210111000101	Bolt	2	
21	A210405000001	Washer	2	
22	A820101117871	Cover	1	
23	A820606030364	Gasket	1	
24	14355728	sealing sponge	1	

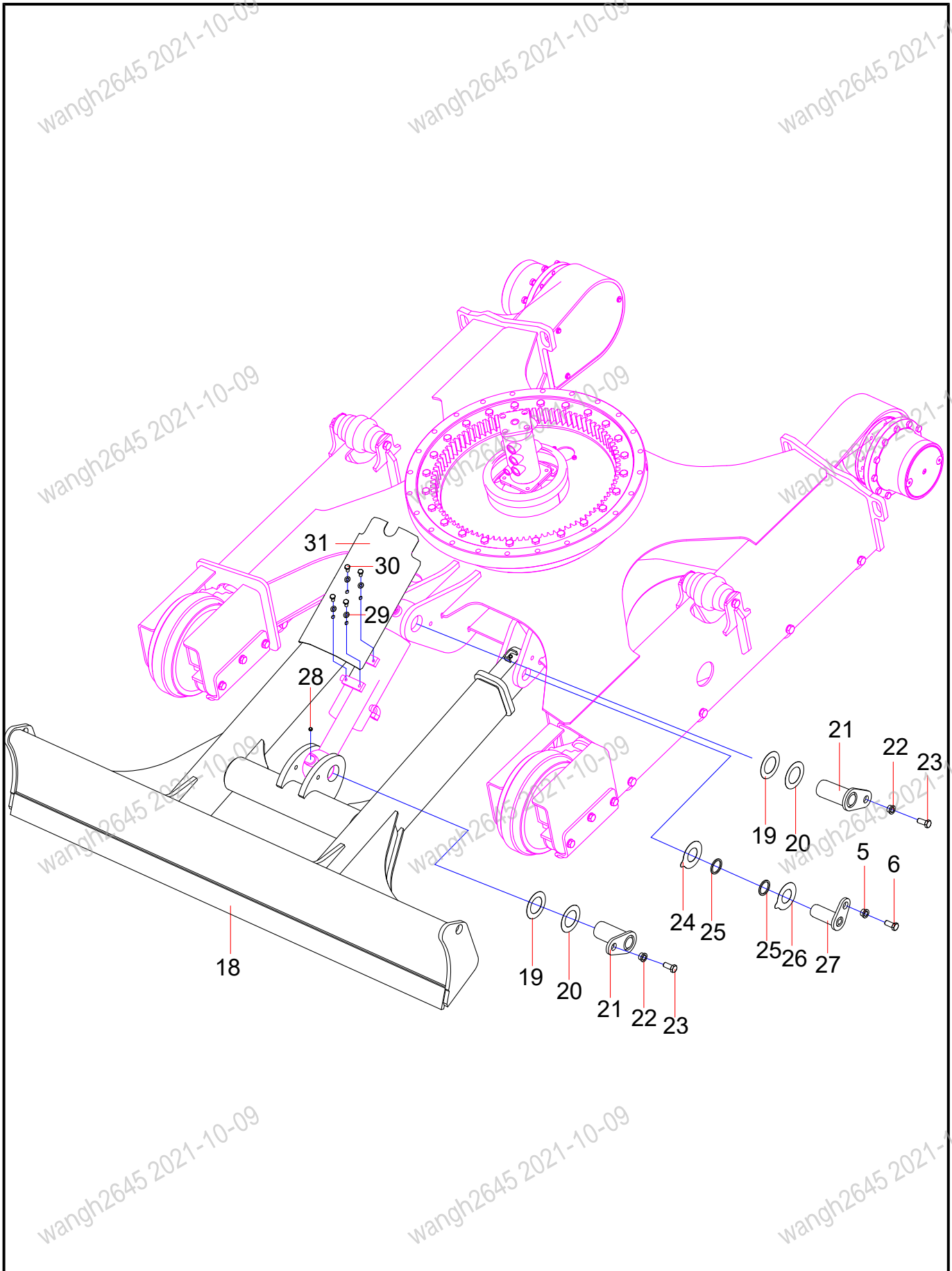


Group 3

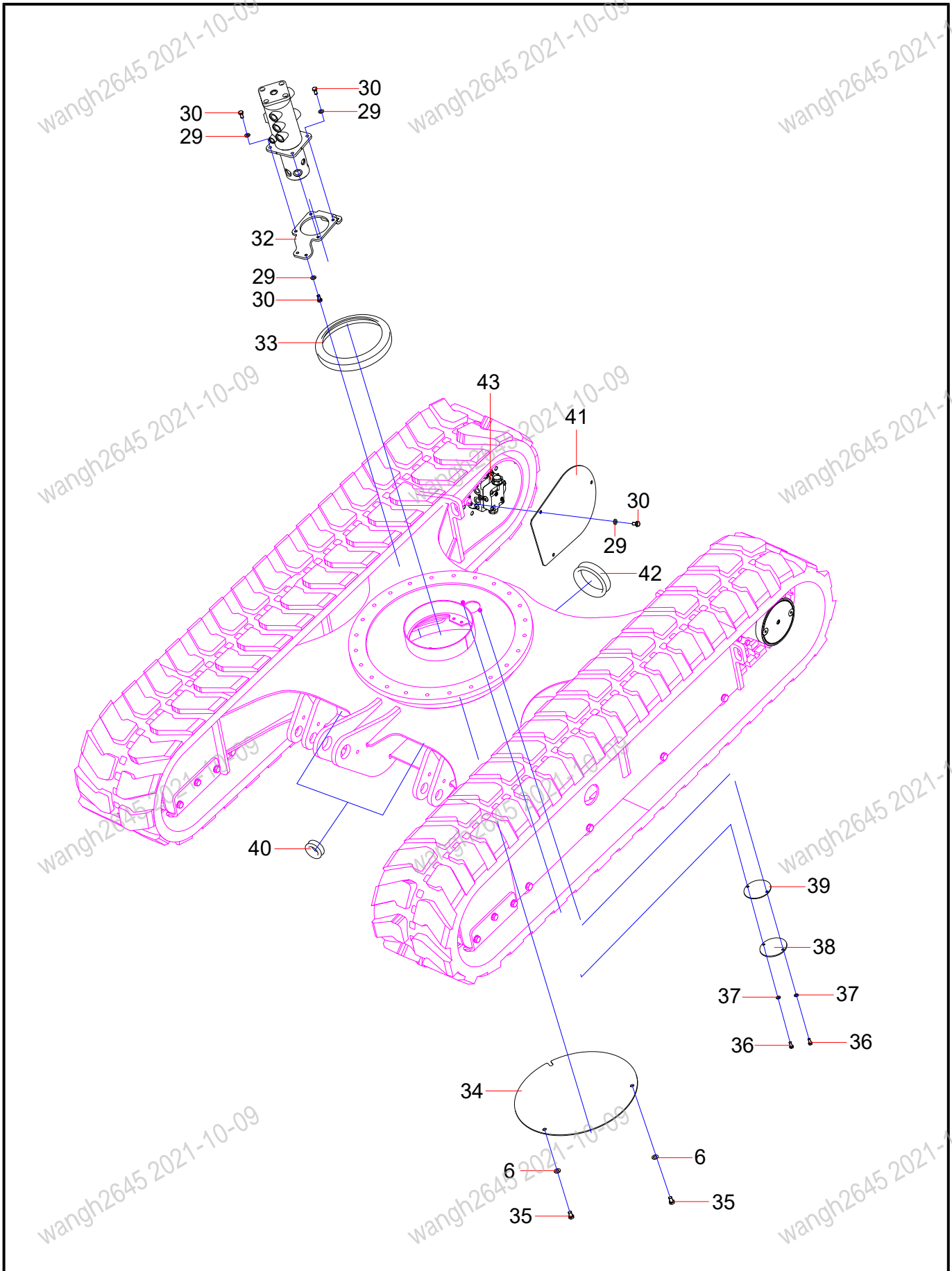
Travel device



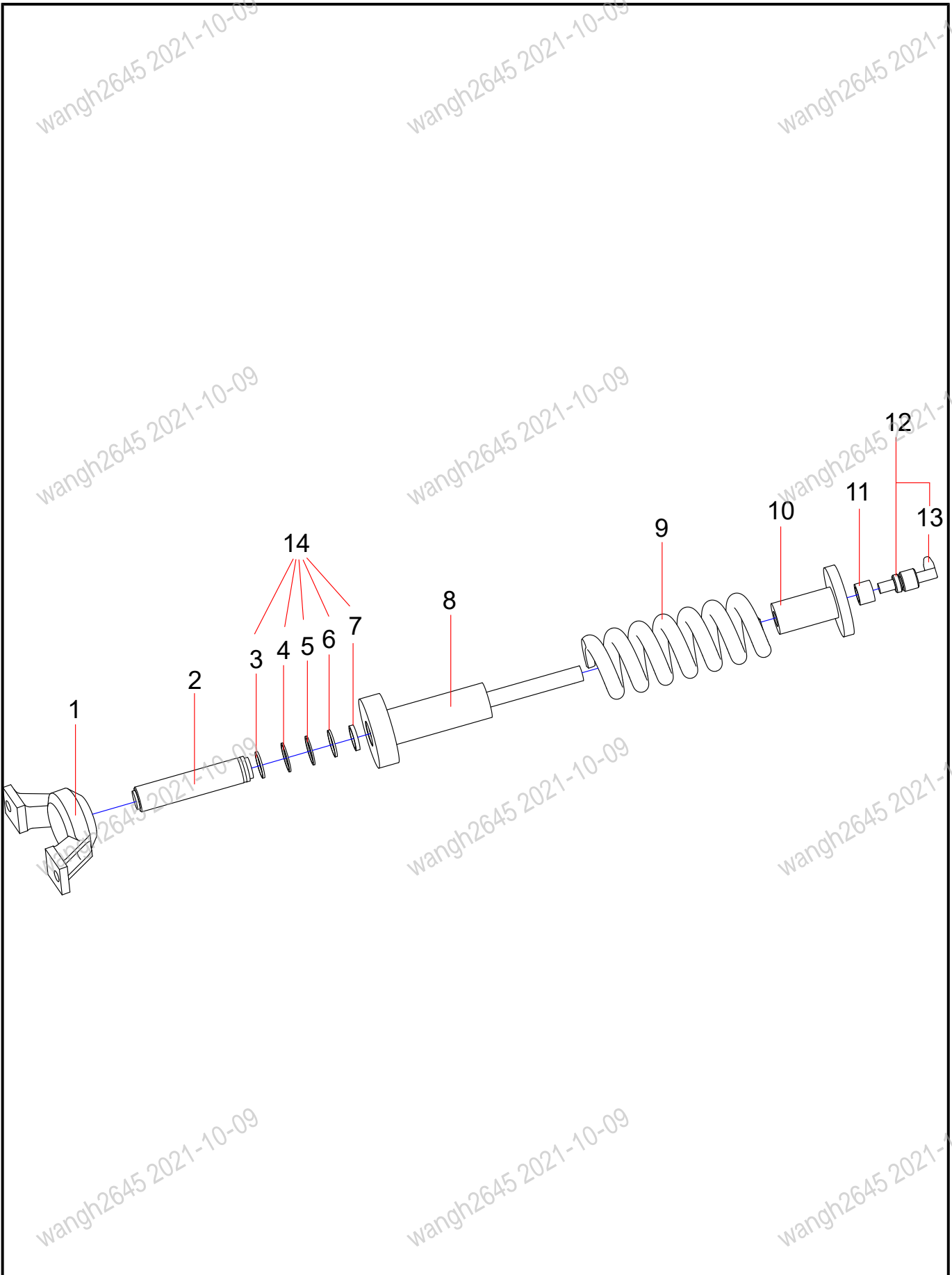
INDEX	PART NO.	DESCRIPTION	QTY	SEE PAGE
1	60306668	rubber belt track	2	
2	A229900002163	leading wheel 135MA-Y	2	
3	A229900004668	Tensioning Equipment	2	3-8
4	A210491000118	Washer	4	
5	A210111000243	Bolt	4	
6	A210491000121	Washer	7	
7	A210111000204	Bolt	4	
8	13901646	Track Roller	10	
9	A210491000144	Washer	20	
10	A210111000215	Bolt	16	
11	A210111000216	Bolt	4	
12	A210111000442	Bolt	24	
13	A229900005283	Driving wheel	2	
14	A210111000209	Bolt	24	
15	13257814	Combination Running frame	1	
16	A210111000347	Bolt	48	
17	13179291	Slewing Bearing	1	3-10
36	A210111000343	Bolt	6	
37	24000633	Washer	6	
44	14518249	cover plate	2	



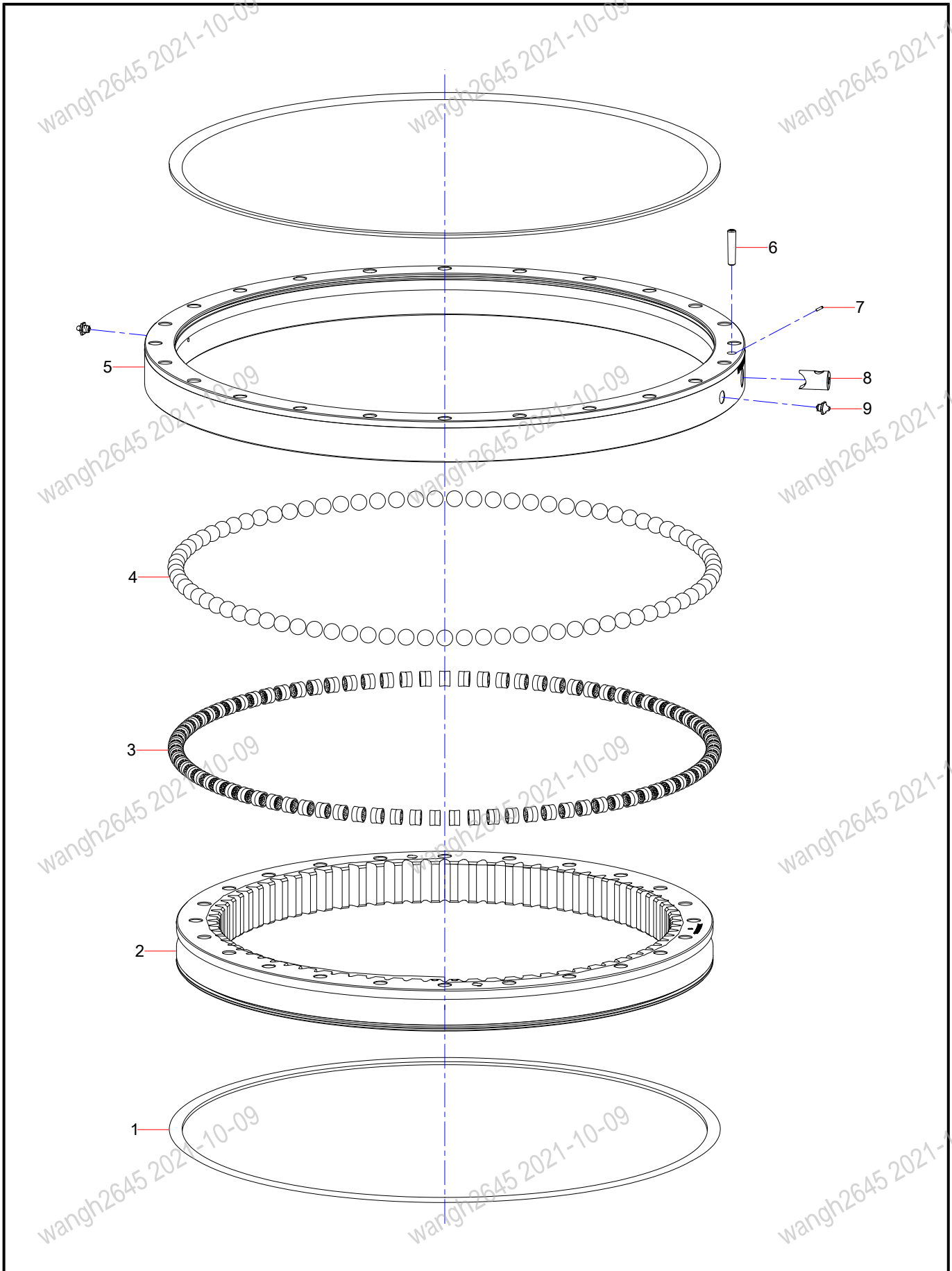
INDEX	PART NO.	DESCRIPTION	QTY	SEE PAGE
18	SSY004699543	Dozer Blade	1	3-12
19	A820102010781	Spacer	4	
20	A820102010782	Spacer	2	
21	13374574	Brace piece axial pin	2	
22	A820202004034	Bush	4	
23	A210111000212	Bolt	4	
24	10574180	Spacer	4	
25	A230101000323	seal ring	4	
26	10574179	Spacer	2	
27	A810312110118	Roll, pin	2	
28	A210804000002	Fitting, Grease	2	
29	A210491000120	Washer	18	
30	A210111000012	Bolt	18	
31	10597771	Cover Board	1	



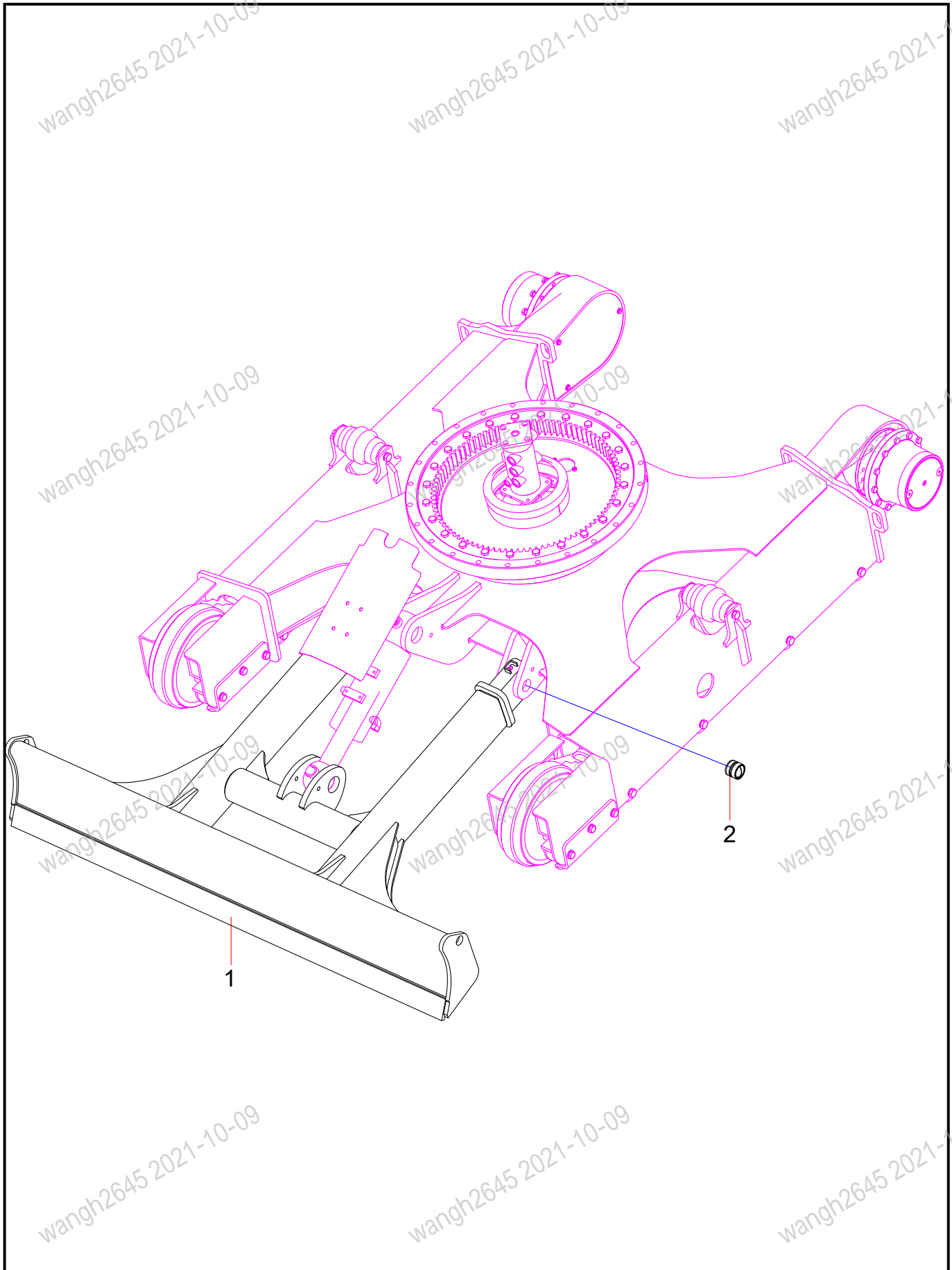
INDEX	PART NO.	DESCRIPTION	QTY	SEE PAGE
6	A210491000121	Washer	7	
29	A210491000120	Washer	18	
30	A210111000012	Bolt	18	
32	13035936	Fix board	1	
33	13040388	butter pool seal ring	1	
34	10600405	Cover Plate	1	
35	A210111000199	Bolt	3	
36	A210111000343	Bolt	6	
37	24000633	Washer	6	
38	A820101343428	Cover Plate	1	
39	A820101343429	Shim	1	
40	A820606030917	Protective sleeve	2	
41	11205490	Cover board	2	
42	A820606030920	Protective sleeve	2	
43		Undercarriages hydraulic pipeline	1	3-14



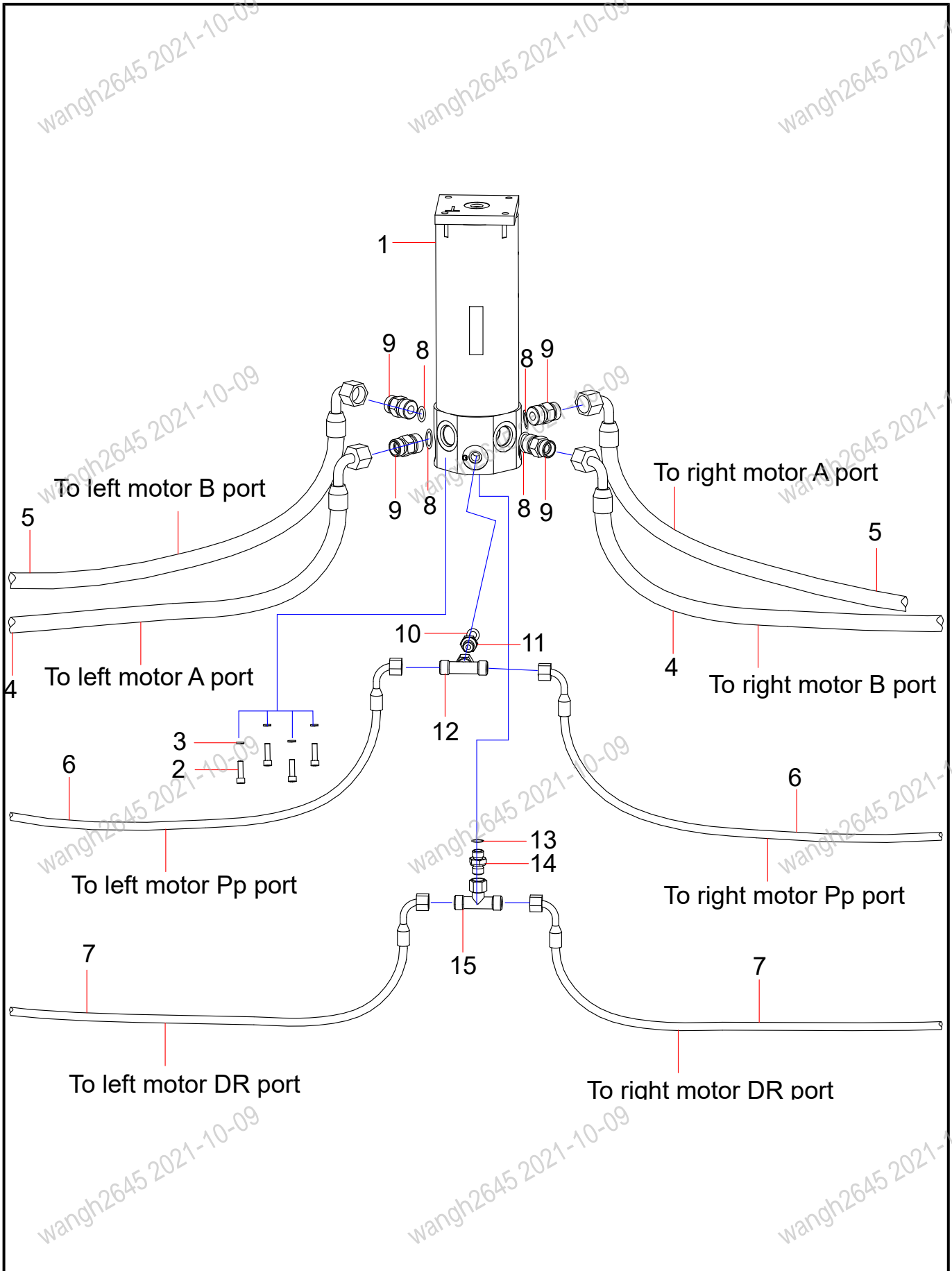
INDEX	PART NO.	DESCRIPTION	QTY	SEE PAGE
1	60281353	Bearing	1	
2	60280921	mandrel	1	
3	60089535	Wear-proof rong	1	
4	60089534	Dust Ring	1	
5	60089515	Retainer Ring	1	
6	60089537	seal ring	1	
7	60089536	Wear-proof rong	1	
8	60280920	body cylinder	1	
9	60042187	Tensioning Equipment Spring	1	
10	60281354	Spring seat	1	
11	60280917	nut	1	
12	60202700	Tensioning Equipment Refiller Valve	1	
13	60337293	grease fitting	1	
14	60037859	Tensioning Equipment Repairing bag	1	



INDEX	PART NO.	DESCRIPTION	QTY	SEE PAGE
1	12966499	Plug	1	
2	60041792	Steel balls	87	
3	60199495	seals	2	
4	13179290	Inner Ring	1	
5	60041809	Spherical separators	87	
6	12966498	Outer Ring	1	
7	60047540	Circular Taper Pin With Inner Screw Thre	1	
8	60012591	Pin	1	
9	A229900010158	Oil Cup	2	

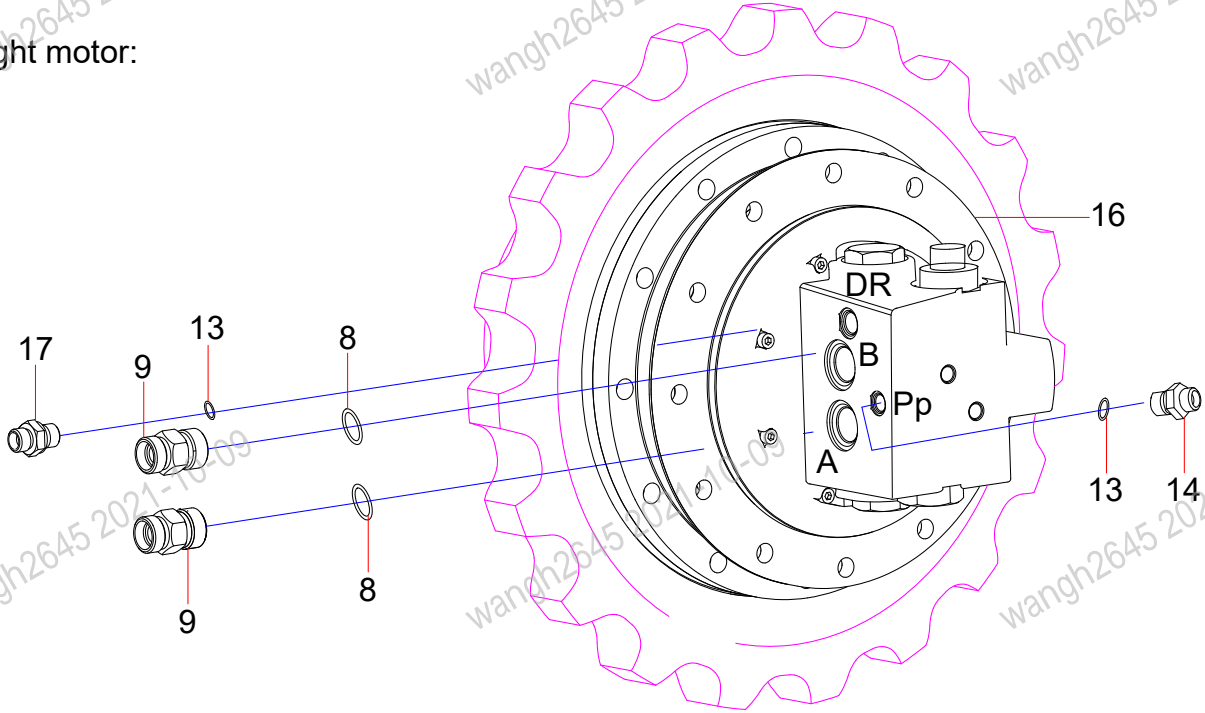


INDEX	PART NO.	DESCRIPTION	QTY	SEE PAGE
1	13248801	Bulldozing shovel	1	
2	A820208000293	Bushing	2	

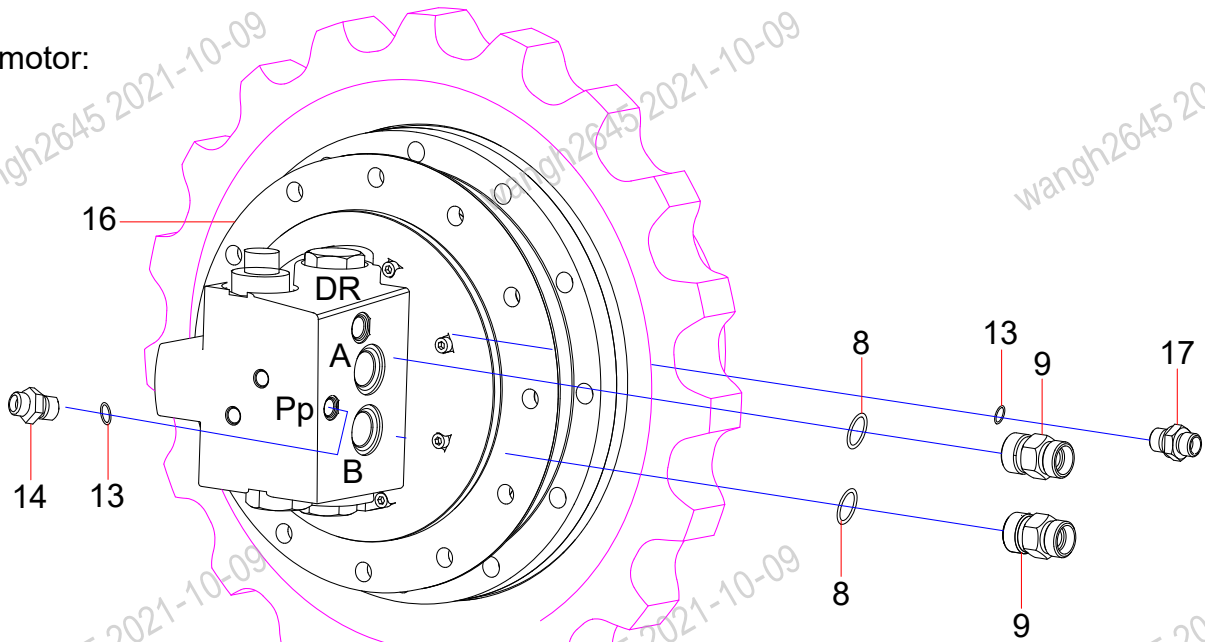


INDEX	PART NO.	DESCRIPTION	QTY	SEE PAGE
1	60167638	centerswiveljoint	1	3-20
2	A210111000197	Bolt	4	
3	A210491000120	Washer	4	
4	151005160057A	Rubber Hose Assembly	2	
5	B230103000102	Rubber Hose	2	
6	A831213135000	Hose	2	
7	B230103000602	Rubber Hose	2	
8	B230101000090	O-ring	10	
9	A820205002535	G1/2-M22-L35 Adaptor	8	
10	B230101000049	O-ring	3	
11	A820205002389	G3/8-M18 Connector	3	
12	B210780000019	Tee Joint	1	
13	B230101000047	O-ring	5	
14	A820205000844	Fitting	3	
15	B210780000172	Fitting	1	

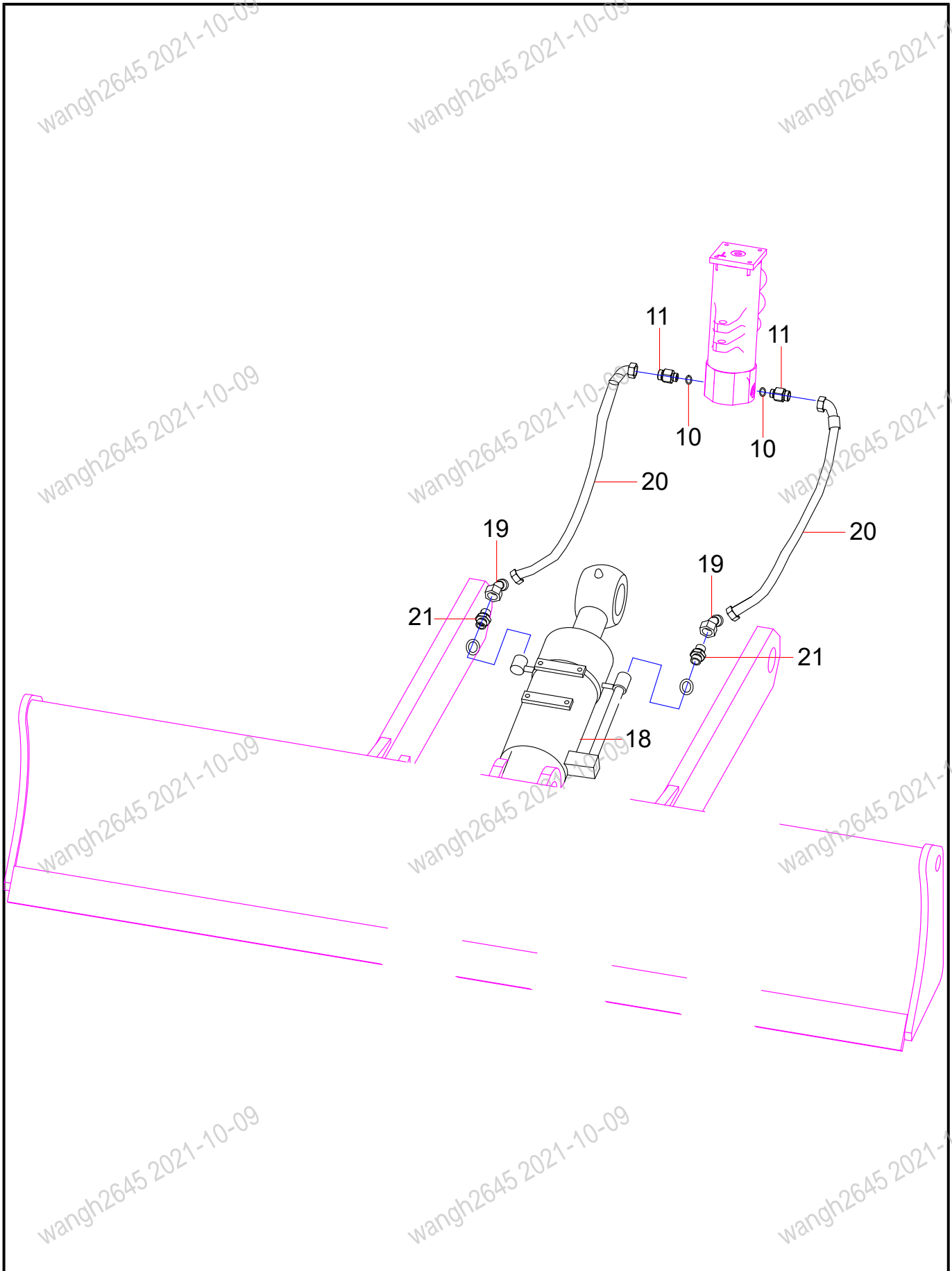
Right motor:



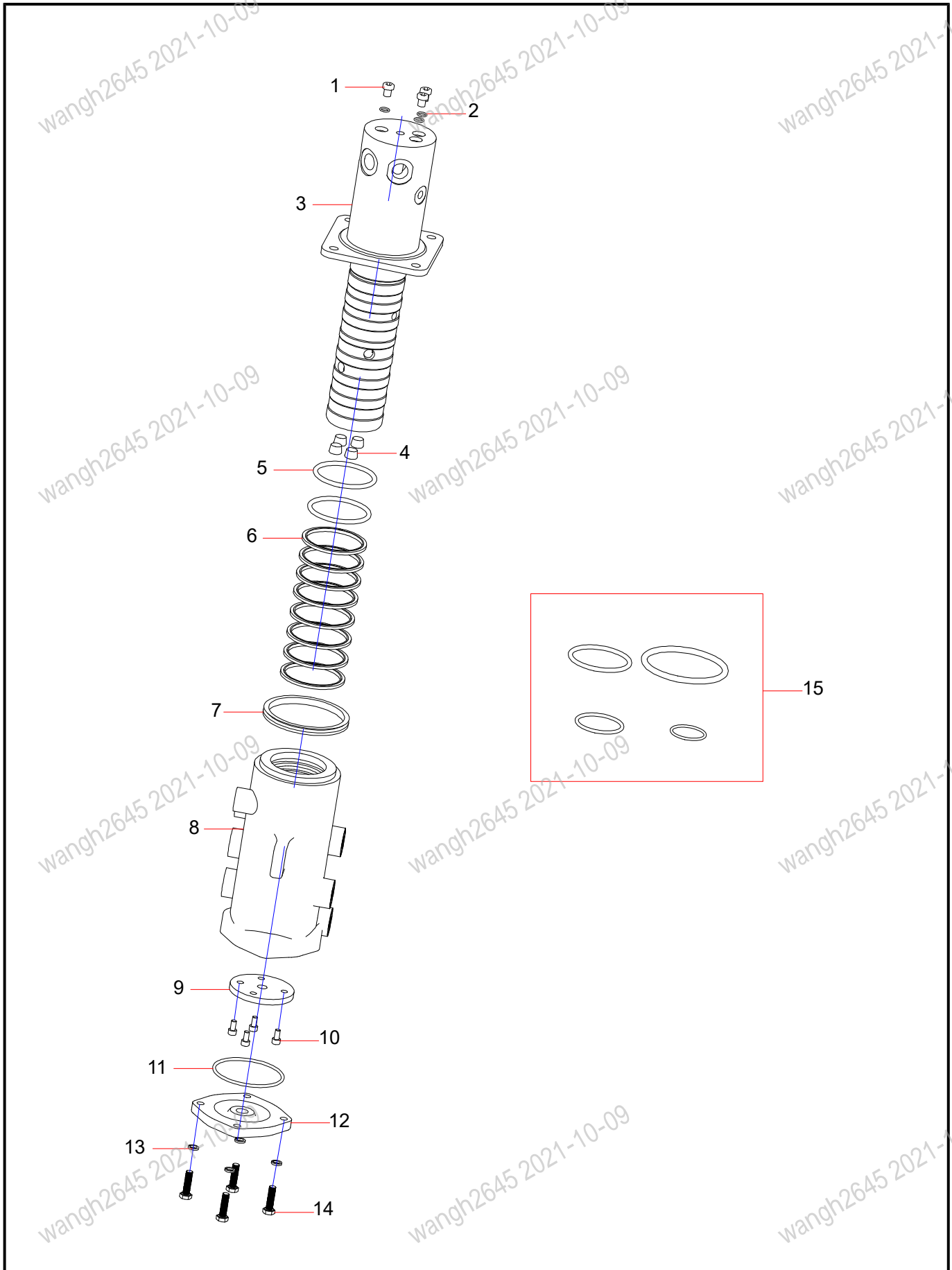
Left motor:



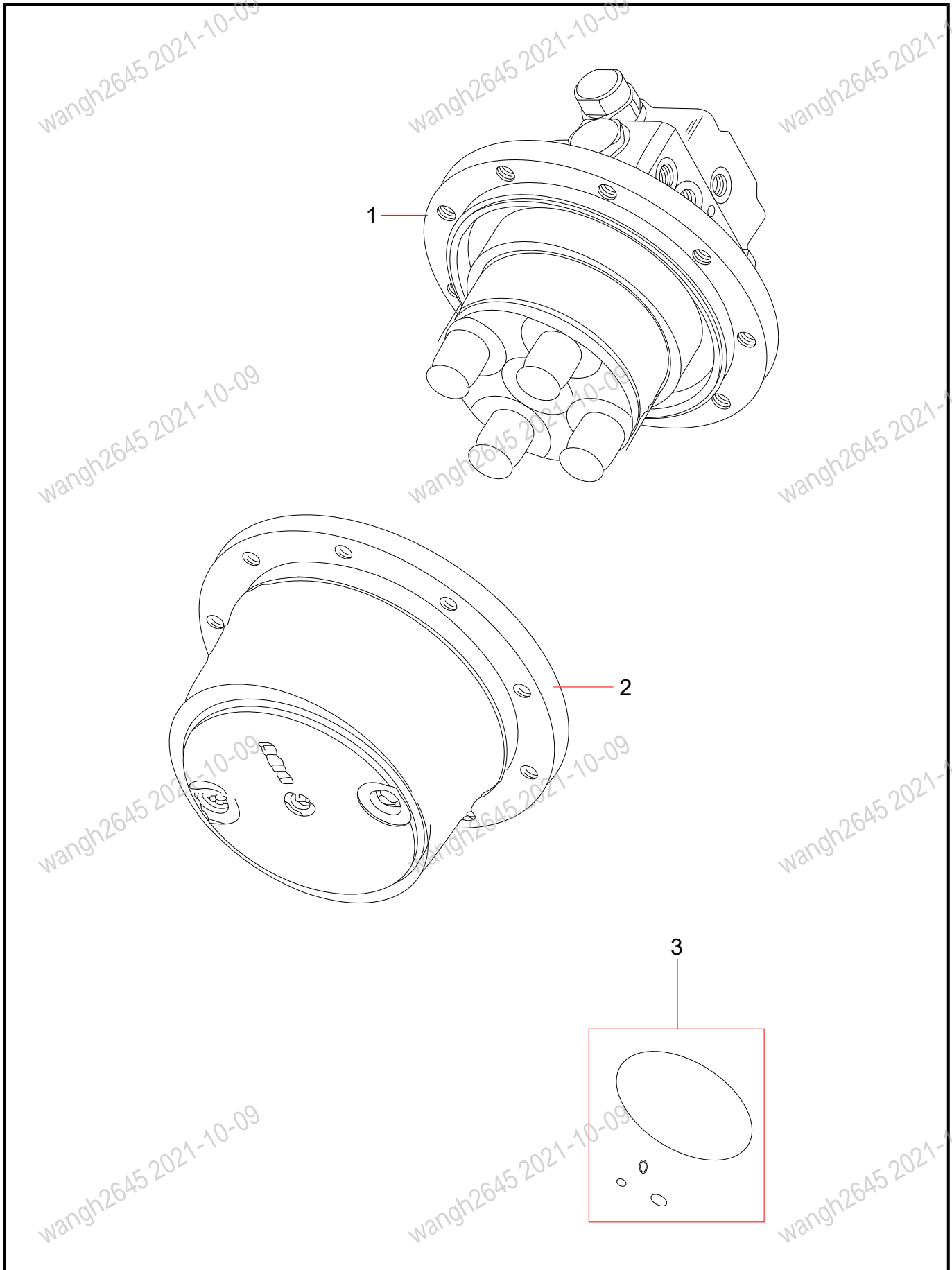
INDEX	PART NO.	DESCRIPTION	QTY	SEE PAGE
8	B230101000090	O-ring	10	
9	A820205002535	G1/2-M22-L35 Adaptor	8	
13	B230101000047	O-ring	5	
14	A820205000844	Fitting	3	
16	60334764	Reducer assembly	2	3-22
17	11679982	G1/4-M18 Adaptor	2	



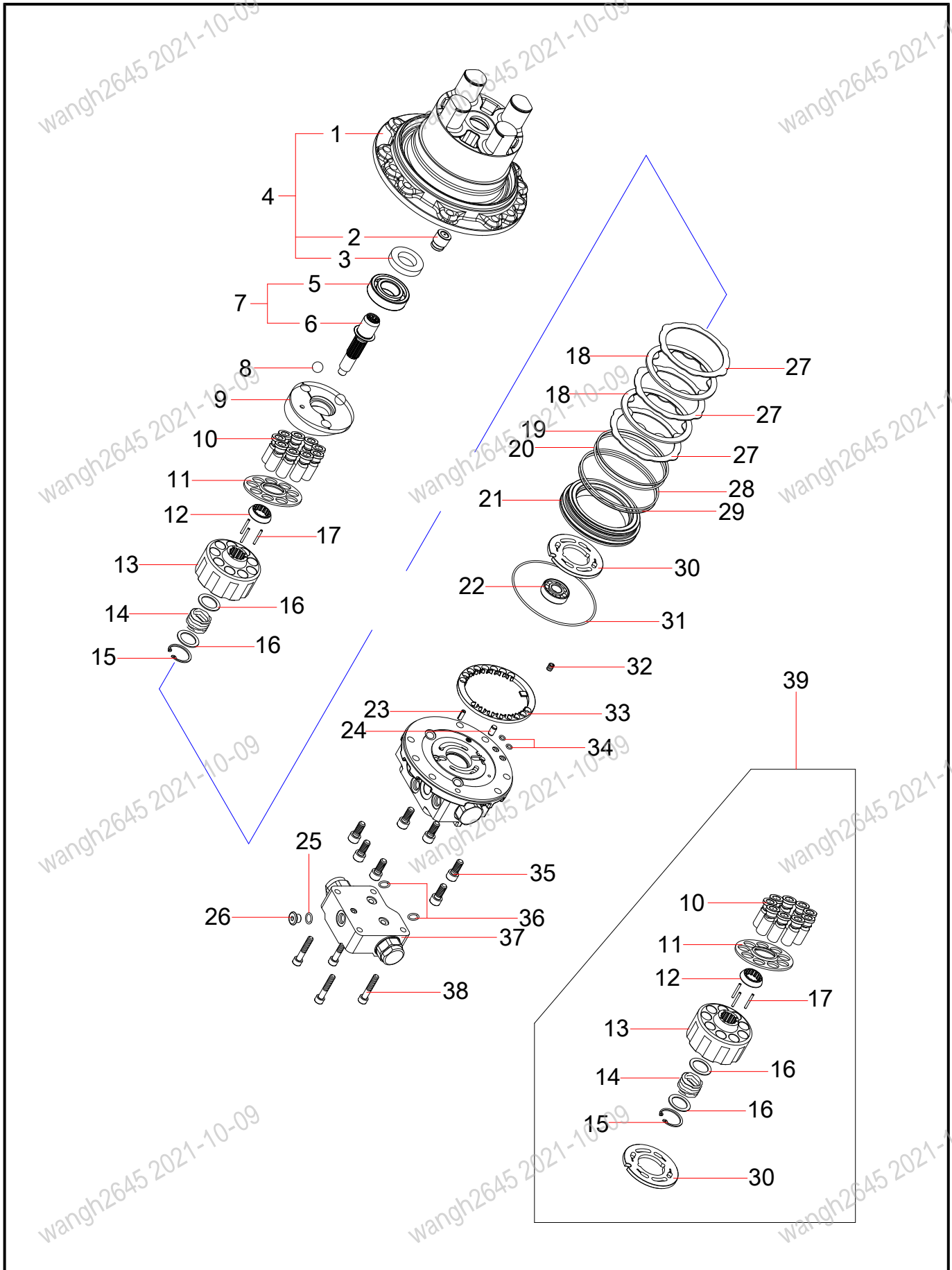
INDEX	PART NO.	DESCRIPTION	QTY	SEE PAGE
10	B230101000049	O-ring	3	
11	A820205002389	G3/8-M18 Connector	3	
18	13290780	Bulldozing shovel oil cylinder	1	3-32
19	60202193	Pipe Connector	2	
20	60252518	rubber hose	2	
21	10541251	Connector	2	



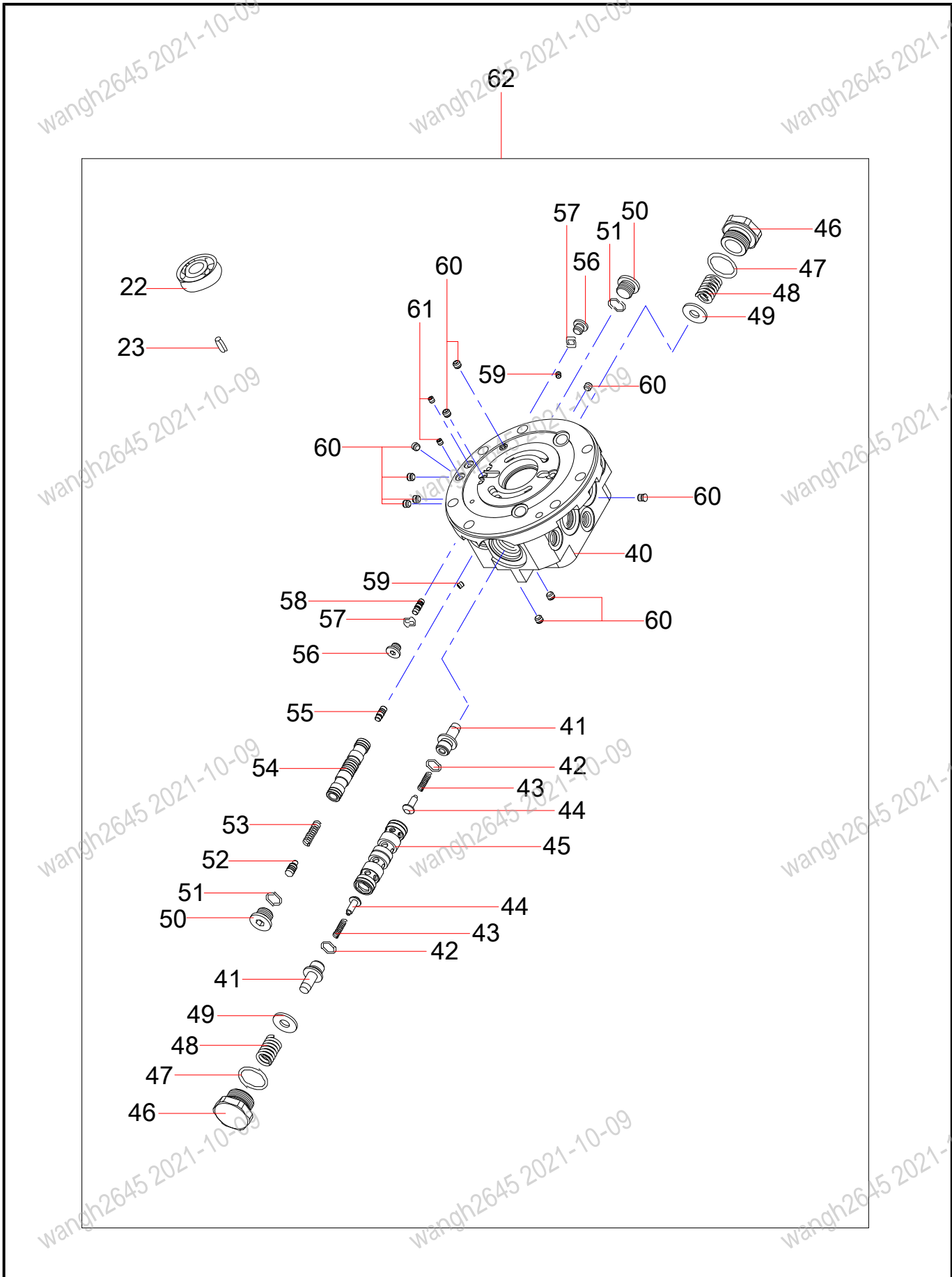
INDEX	PART NO.	DESCRIPTION	QTY	SEE PAGE
1	60244897	Plug	3	
2	60244898	O-ring	3	
3	60244899	Rotary shaft	1	
4	60244900	Conical plug	4	
5	60244901	O-ring	2	
6	60244902	Rotary sealing ring	8	
7	60244903	Dust Ring	1	
8	60244904	Revolving body	1	
9	60244905	Baffle	1	
10	60244906	Bolt	4	
11	60244907	O-ring	1	
12	60244908	End cover	1	
13	60244909	Standard spring washers	4	
14	60244910	Hexagon bolt	4	
15	60244911	Swivel Joint Repair Kit	1	



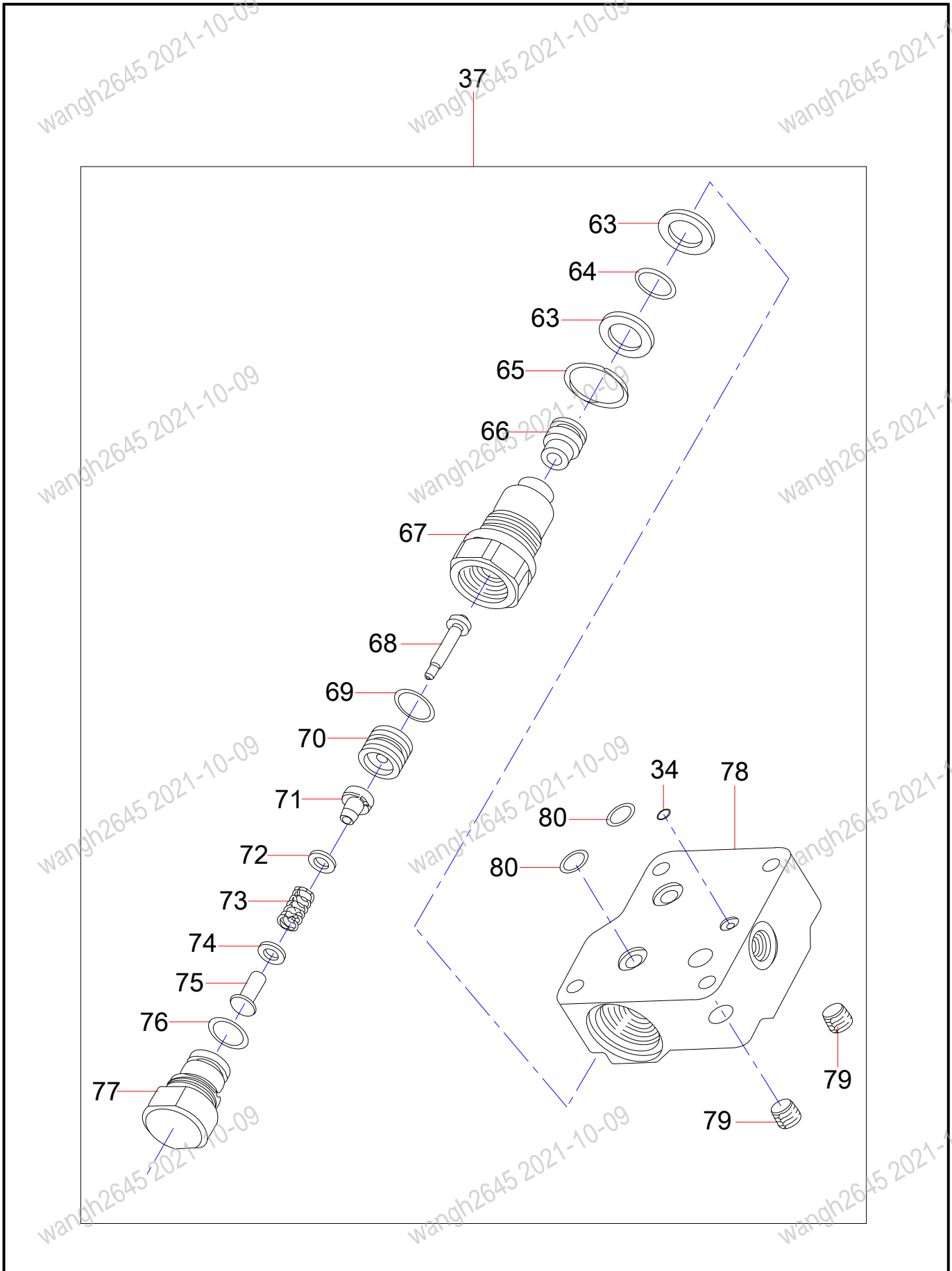
INDEX	PART NO.	DESCRIPTION	QTY	SEE PAGE
1		Motor assembly	1	3-24
2		Reducer assembly	1	3-30
3	60351658	Reducer assembly Repair kit	1	



INDEX	PART NO.	DESCRIPTION	QTY	SEE PAGE
1	60216971	BODY	1	
2	60216973	Control piston	1	
3	60216975	OIL SEAL	1	
4	60216998	BODY ASSEMBLY	1	
5	60164200	BEARING	1	
6	60164226	SHAFT	1	
7	60164228	SHAFT SUB ASSY	1	
8	60164159	Ball	2	
9	60351692	Swash plate	1	
10	60351689	Piston assy	9	
11	60351690	Shoe holder	1	
12	60351691	Barrel holder	1	
13	60351687	Cylinder barrel	1	
14	60351694	Spring C	1	
15	60351697	Snap ring	1	
16	60351695	Retainer	2	
17	60351693	Pin	3	
18	60164292	DISK PLATE	2	
19	60164344	BACK UP RING	1	
20	60164377	O RING	1	
21	60164313	BARAKE PISTON	1	
22	60351696	Bearing	1	
23	60351698	Spring pin	1	
24	60164329	Pin	1	
25	60164379	O-ring	1	
26	60164262	PLUG	1	
27	60164251	STEEL PLATE	3	
28	60164378	O-ring	1	
29	60164345	BACK UP RING	1	
30	60351688	Valve plate	1	
31	60216977	O-RING	1	
32	60164231	SPRING B	8	
33	60164334	RETALNER	1	
34	60164386	O-ring	2	
35	60164376	Screw	7	
36	60351699	O ring	2	
37	60164171	SHOCKLESS RELIEF VALVE	1	
38	60164311	SCREW	4	
39	60351721	Cylinder barrel sub assy	1	

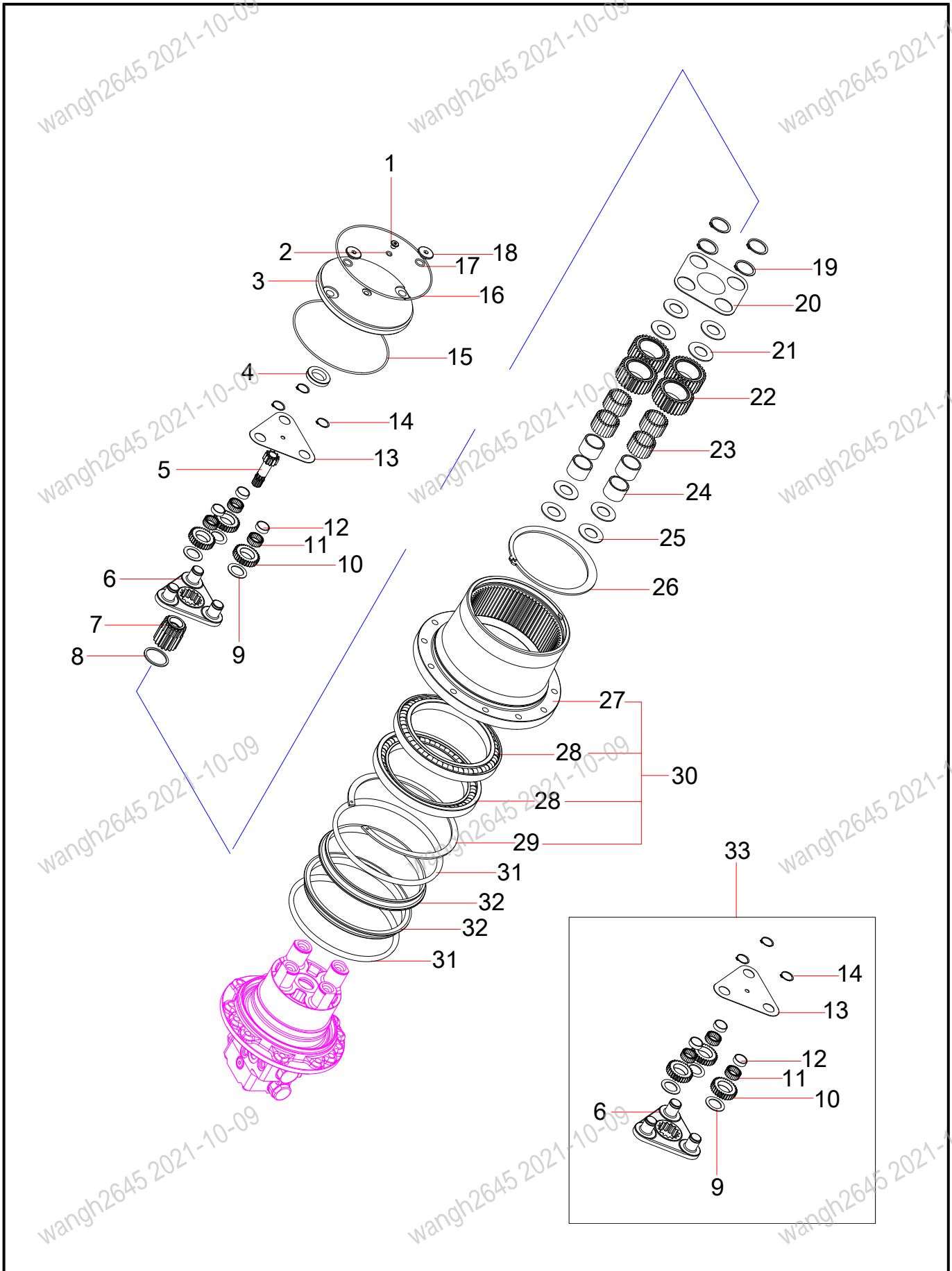


INDEX	PART NO.	DESCRIPTION	QTY	SEE PAGE
22	60351696	Bearing	1	
23	60351698	Spring pin	1	
40	60351700	Body 1	1	
41	60351703	Spring guide	2	
42	60351717	O ring	2	
43	60351708	Spring V1	2	
44	60351702	Check Valve	2	
45	60351701	Spool	1	
46	60351711	Plug	2	
47	60351718	O ring	2	
48	60351709	Spring V2	2	
49	60351715	Ring	2	
50	60351712	Plug	2	
51	60164380	O-ring	2	
52	60351705	Spool B	1	
53	60351710	Spring V3	1	
54	60351704	Spool	1	
55	60351706	Spool C	1	
56	60351713	Plug	2	
57	60164387	O-ring	2	
58	60351707	Shuttle spool	1	
59	60351714	Choke	2	
60	60351716	Plug	10	
61	60351719	Choke	2	
62	60351720	Body 1 sub assy	1	

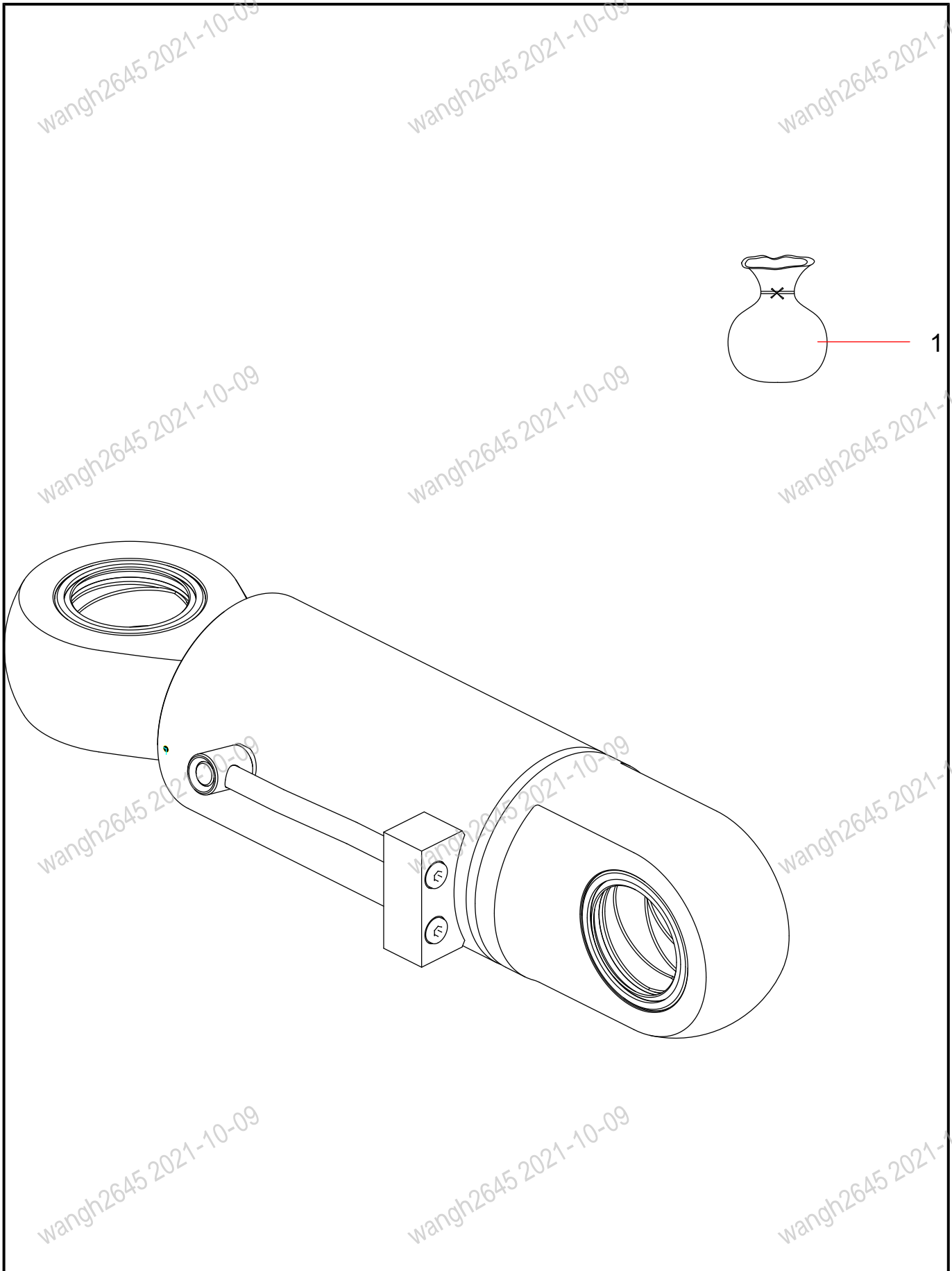


INDEX	PART NO.	DESCRIPTION	QTY	SEE PAGE
34	60164386	O-ring	2	
37	60164171	SHOCKLESS RELIEF VALVE	1	
63	60164341	BACK UP RING	4	
64	60164383	O RING	2	
65	60164381	O-ring	2	
66	60164276	SEAT	2	
67	60164284	RETAINER	2	
68	60164185	POPPET	2	
69	60164388	O RING	2	
70	60164289	PISTON	2	
71	60164246	SPRING GUIDE	2	
72	60164257	SPACER	2	
73	60164239	SPRING	2	
74	60164258	SPACER	2	
75	60164245	STOPPER	2	
76	60164389	O RING	2	
77	60164271	PLUG	2	
78	60164175	BODY	1	
79	60164269	PLUG	2	
80	60167135	O RING	2	

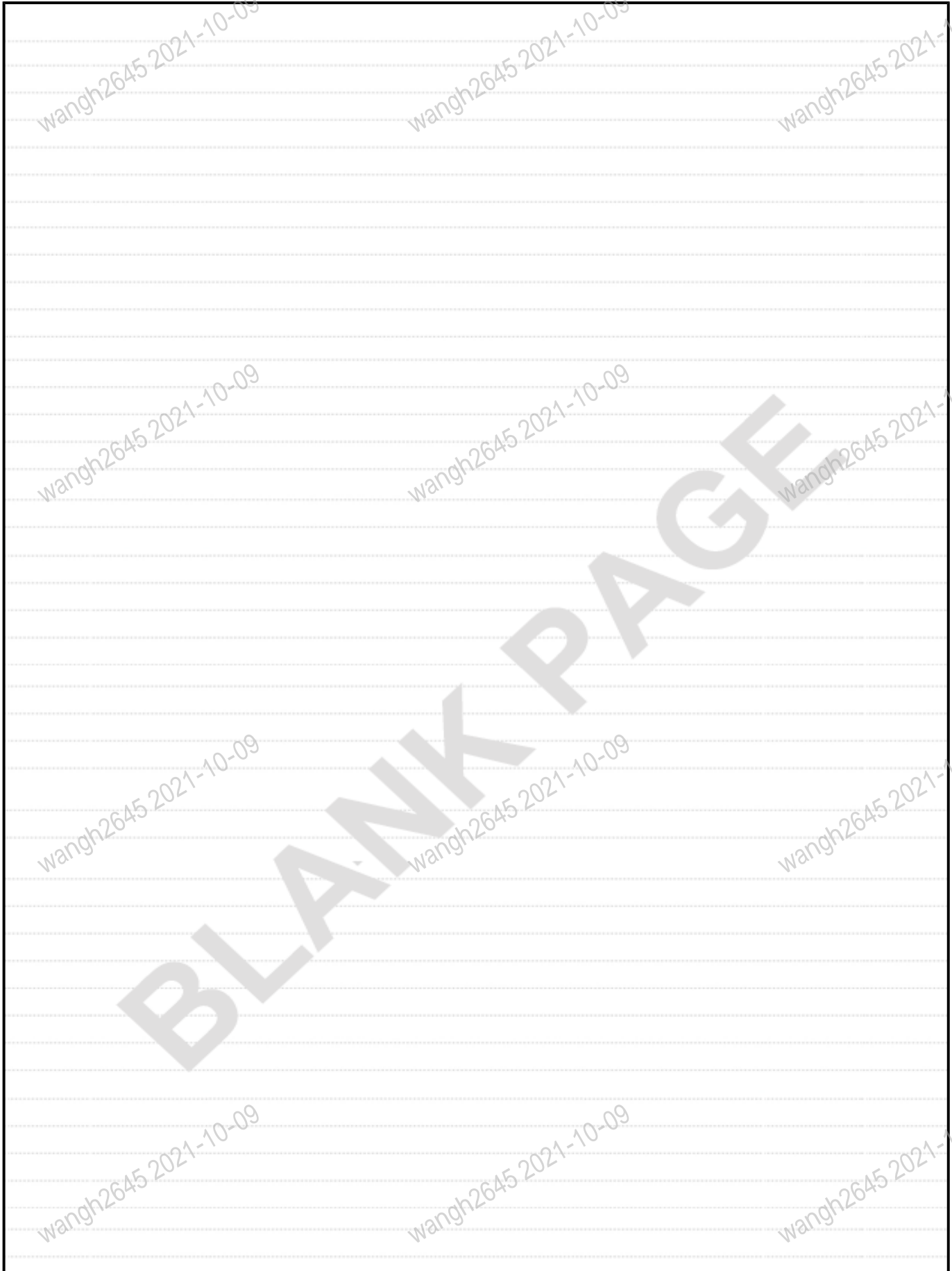
Reducer assembly



INDEX	PART NO.	DESCRIPTION	QTY	SEE PAGE
1	60351682	Plug	1	
2	60164387	O-ring	1	
3	60351660	Cover	1	
4	60351677	Slide ring	1	
5	60216954	S2 GEAR	1	
6	60351661	Carrier 2	1	
7	60351664	S1 gear	1	
8	60351667	Thrust washer	1	
9	60351681	Thrust washer	3	
10	60351663	B2 gear	3	
11	60351676	Needle	69	
12	60351666	Ring	3	
13	60351671	Thrust plate	1	
14	60351680	Snap ring	3	
15	60164373	O RING	1	
16	60351668	O Snap ring	1	
17	60164380	O-ring	2	
18	60164261	Plug	2	
19	60351679	Snap ring	4	
20	60351670	Thrust plate	1	
21	60351684	Thrust washer	4	
22	60351662	B1 gear	4	
23	60351675	Needle	136	
24	60351665	Ring	4	
25	60351669	Thrust washer	4	
26	60216963	SNAP RING	1	
27	60351659	Body	1	
28	60351674	Bearing	2	
29	60351678	Snap ring	1	
30	60351685	Body sub assy	1	
31	60351673	O ring	2	
32	60351672	Float seat	2	
33	60351686	Carrier 2 sub assy	1	

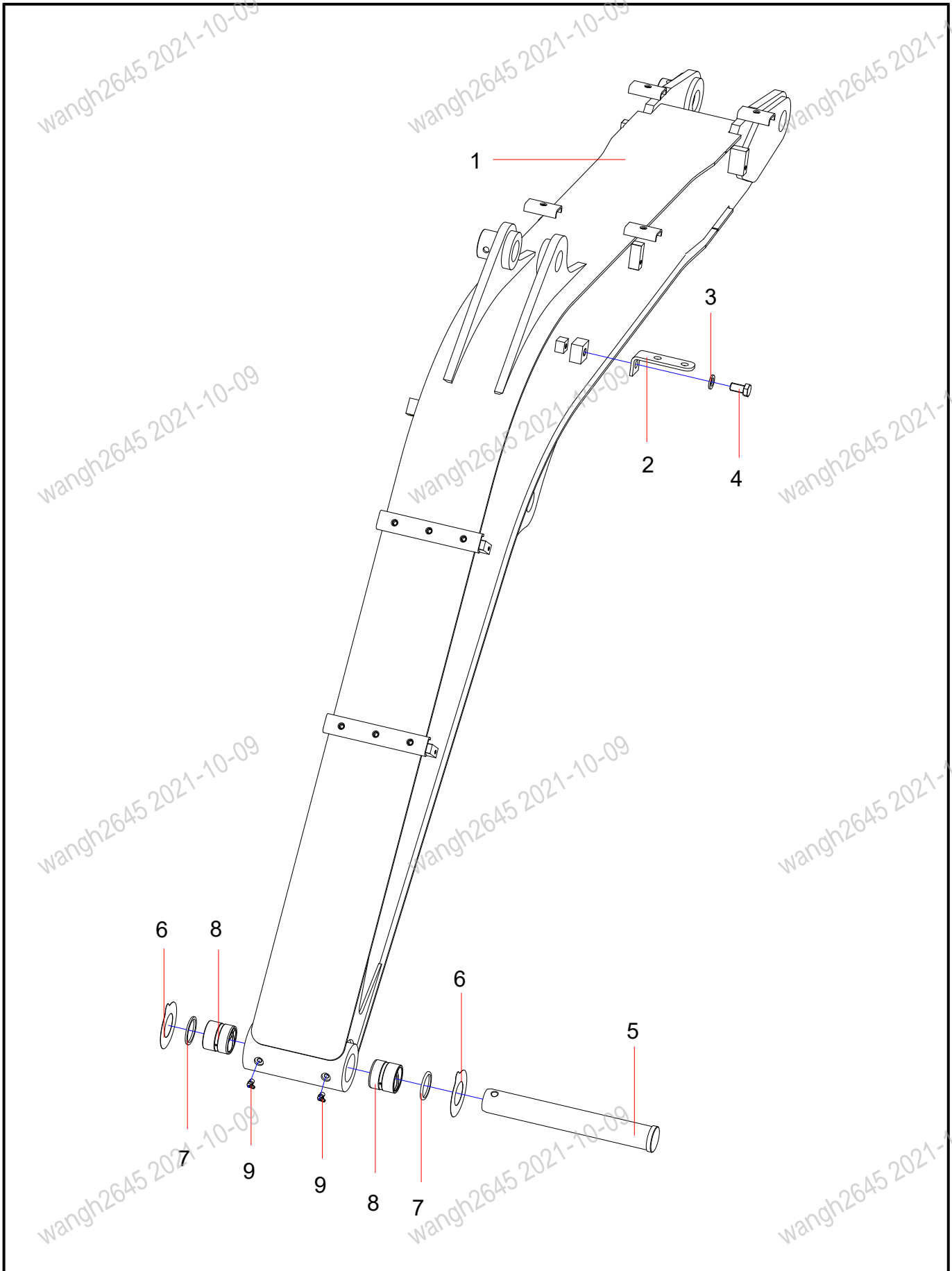


INDEX	PART NO.	DESCRIPTION	QTY	SEE PAGE
1	13296750	W54 sealer package	1	

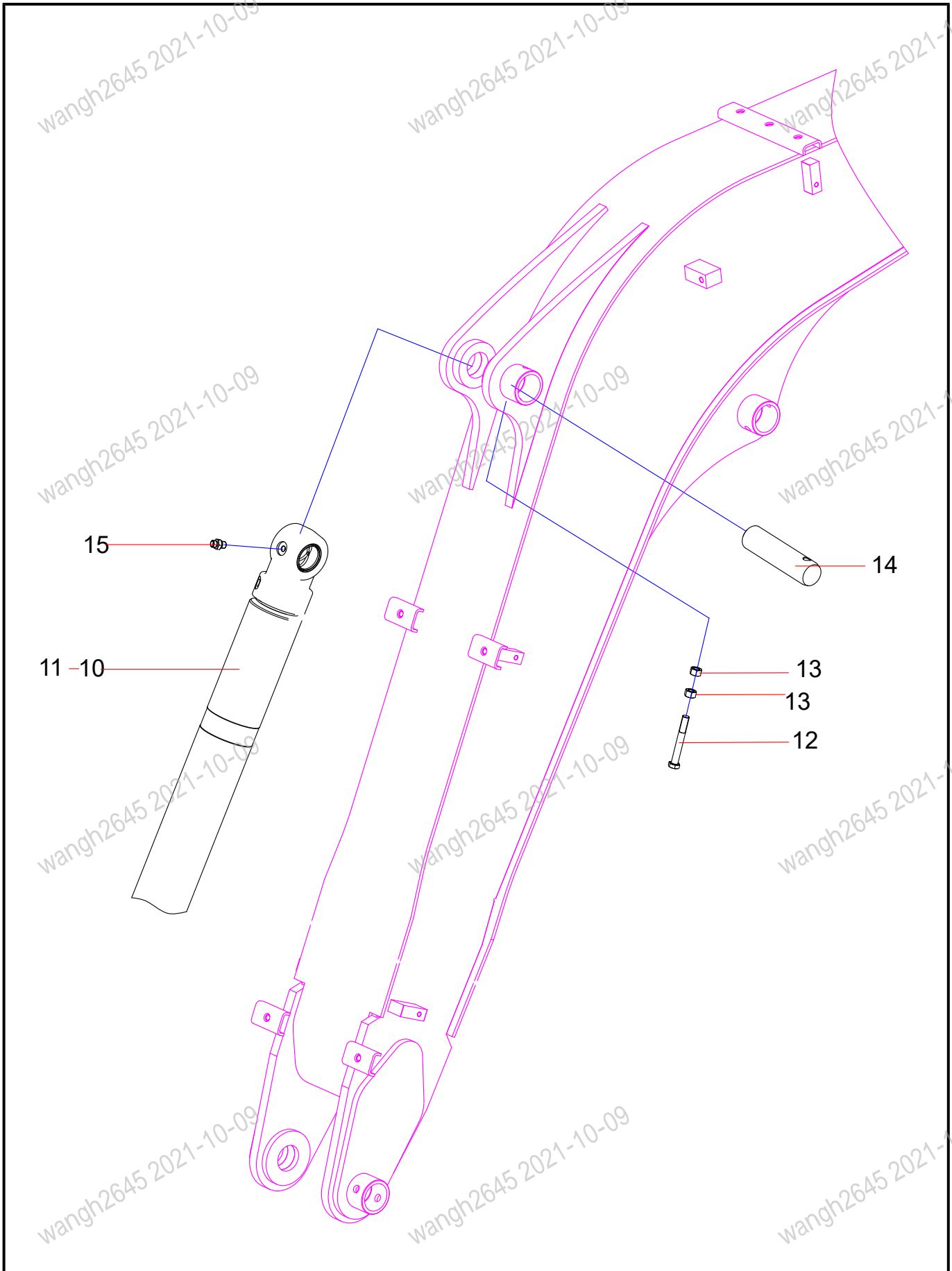


Group 4

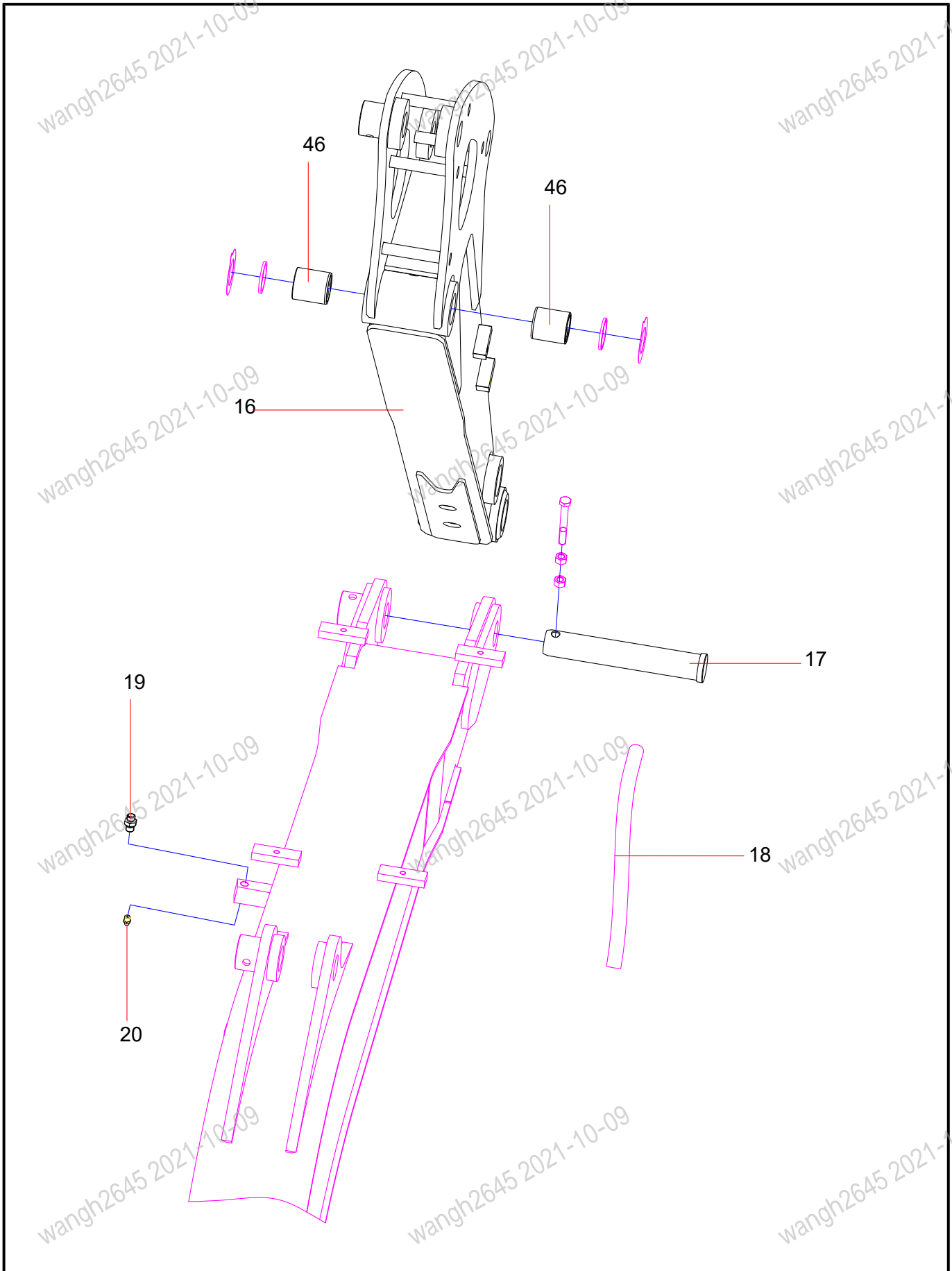
Working Device



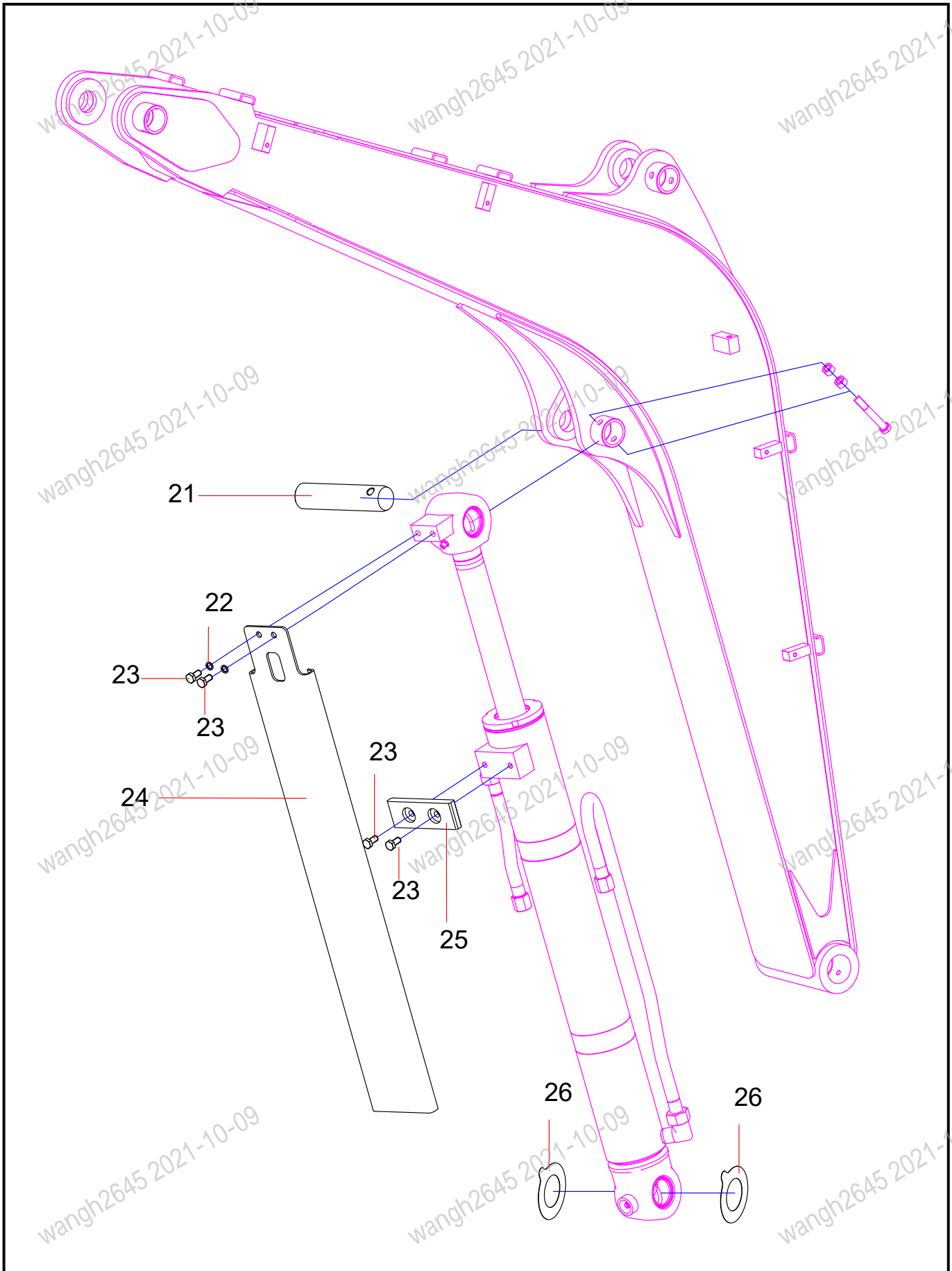
INDEX	PART NO.	DESCRIPTION	QTY	SEE PAGE
1	13847988	boom	1	
2	A820101322531	Lamp Bracket	1	
3	A210405000003	Washer	1	
4	A210111000227	Bolt	1	
5	13263036	shaft	1	
6	10574180	Spacer	2	
7	B230101001119	Dust Ring	2	
8	13263047	Shaft Sleeve	2	
9	60017380	Butter Nozzle	3	



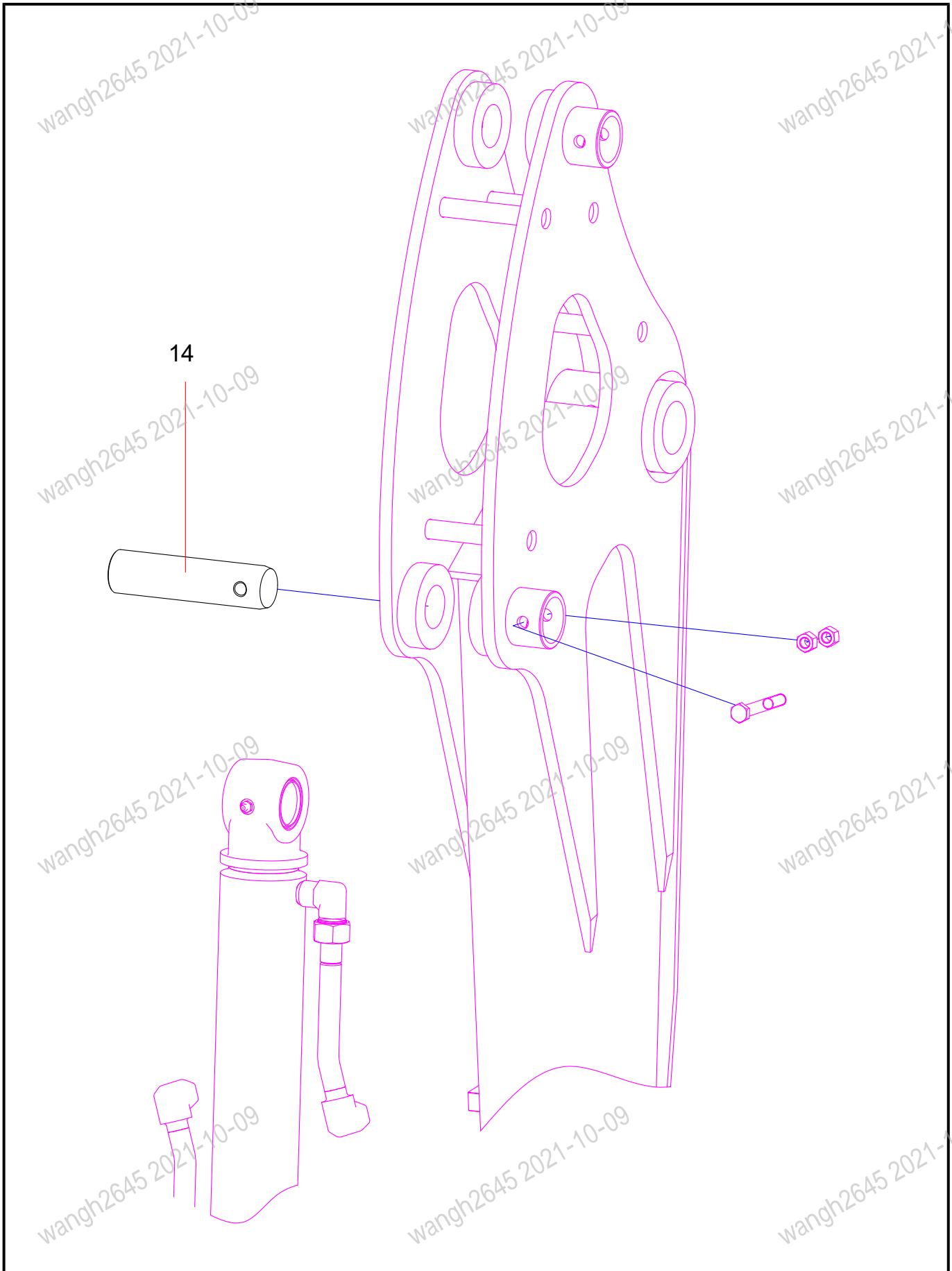
INDEX	PART NO.	DESCRIPTION	QTY	SEE PAGE
11		Work device Tube	1	4-26
12	A210110000015	Bolt	9	
13	A210307000031	Nut	22	
14	13262996	shaft	3	
15	A820205000858	Fitting	1	



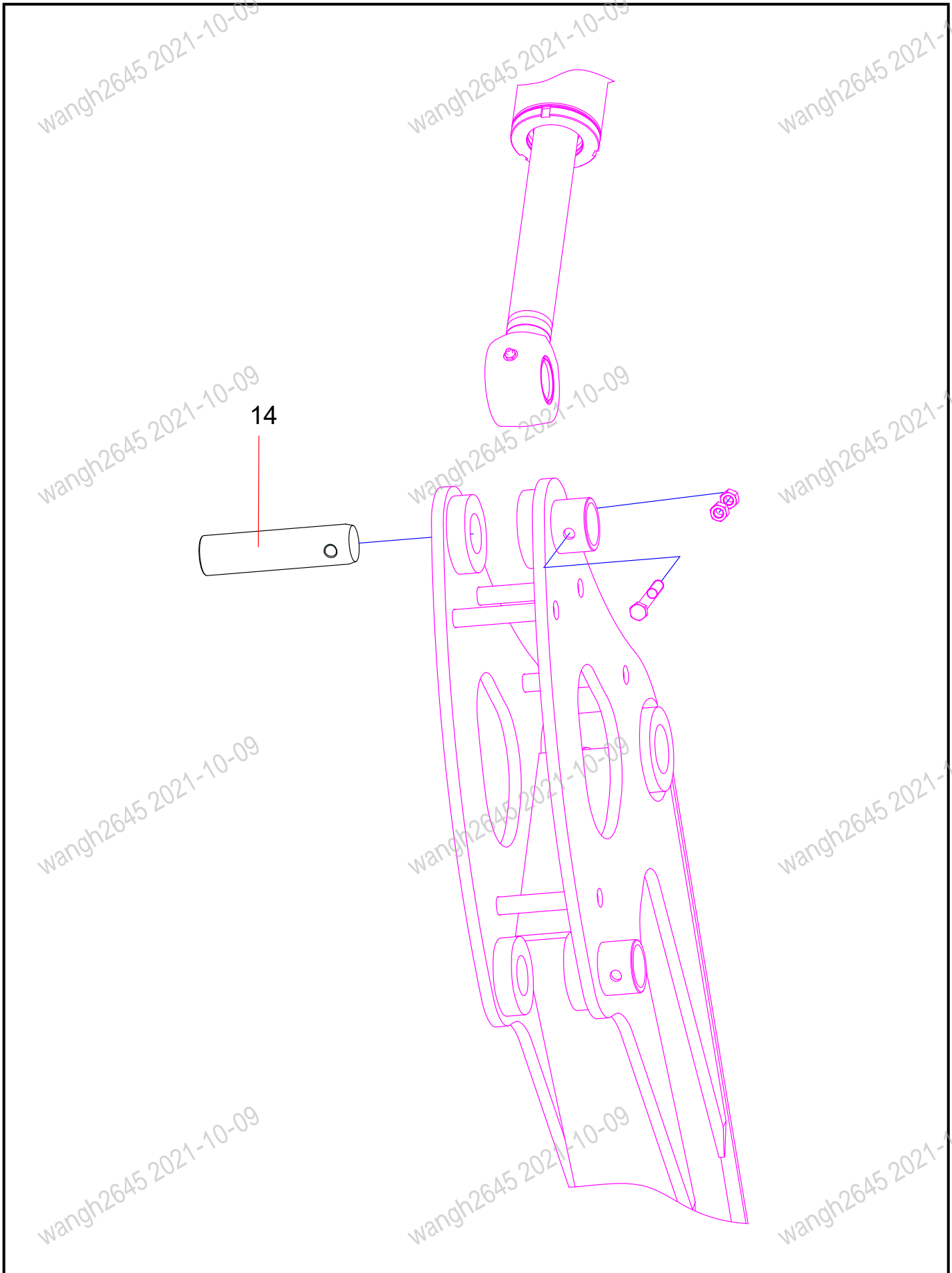
INDEX	PART NO.	DESCRIPTION	QTY	SEE PAGE
16	13848000	arm	1	
17	13263040	shaft	1	
18	B230103000808	Hose	1	
19	23000531	Fitting	1	
20	A210804000002	Fitting, Grease	6	
46	13263066	Shaft Sleeve	6	



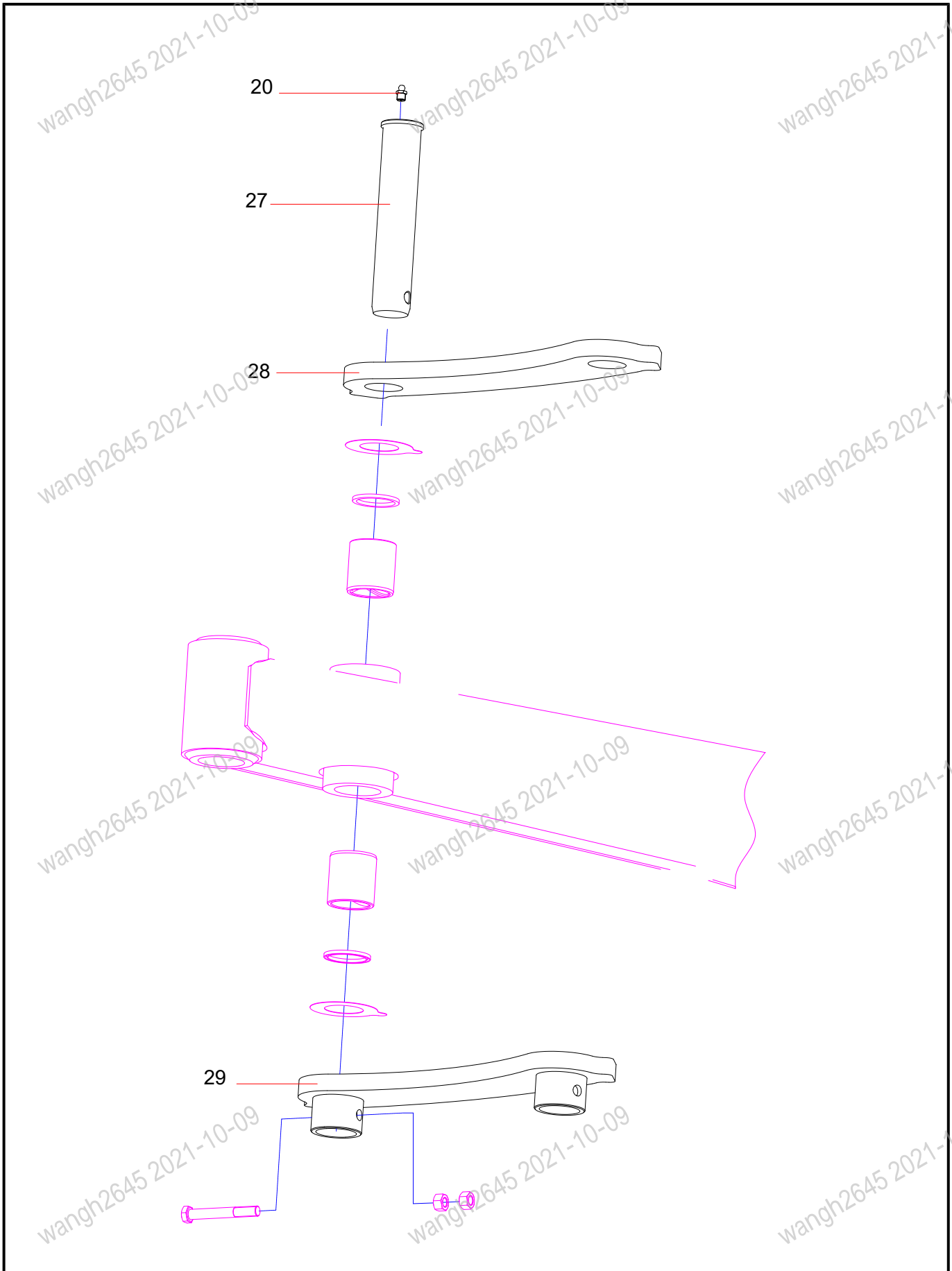
INDEX	PART NO.	DESCRIPTION	QTY	SEE PAGE
21	13263007	shaft	1	
22	A210401000001	Washer	2	
23	A210111000011	Bolt	4	
24	13266770	Oil Cylinder Guard Board	1	
25	13263044	Rigid board	1	
26	13262743	Spacer	18	



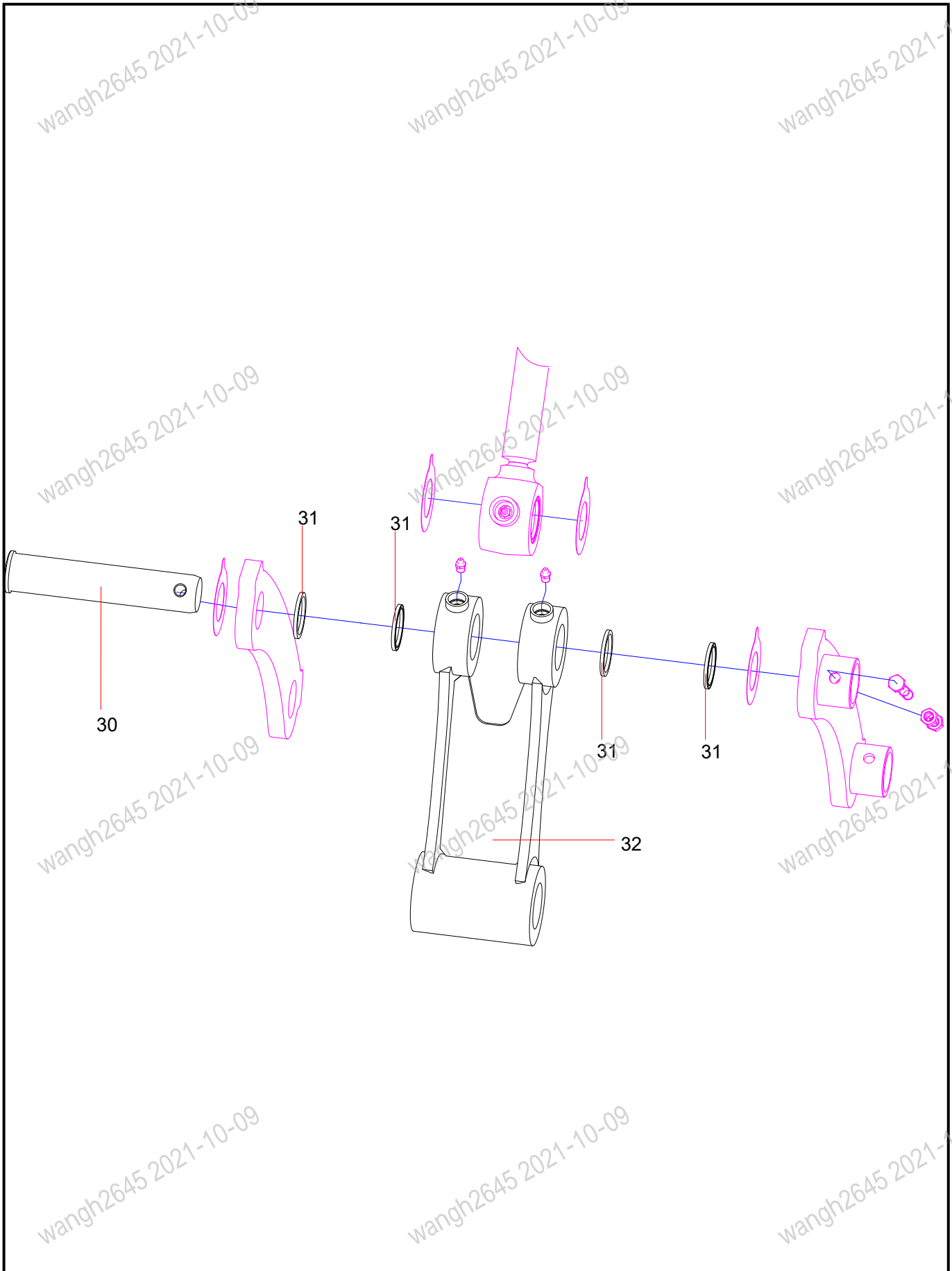
INDEX	PART NO.	DESCRIPTION	QTY	SEE PAGE
14	13262996	shaft	3	



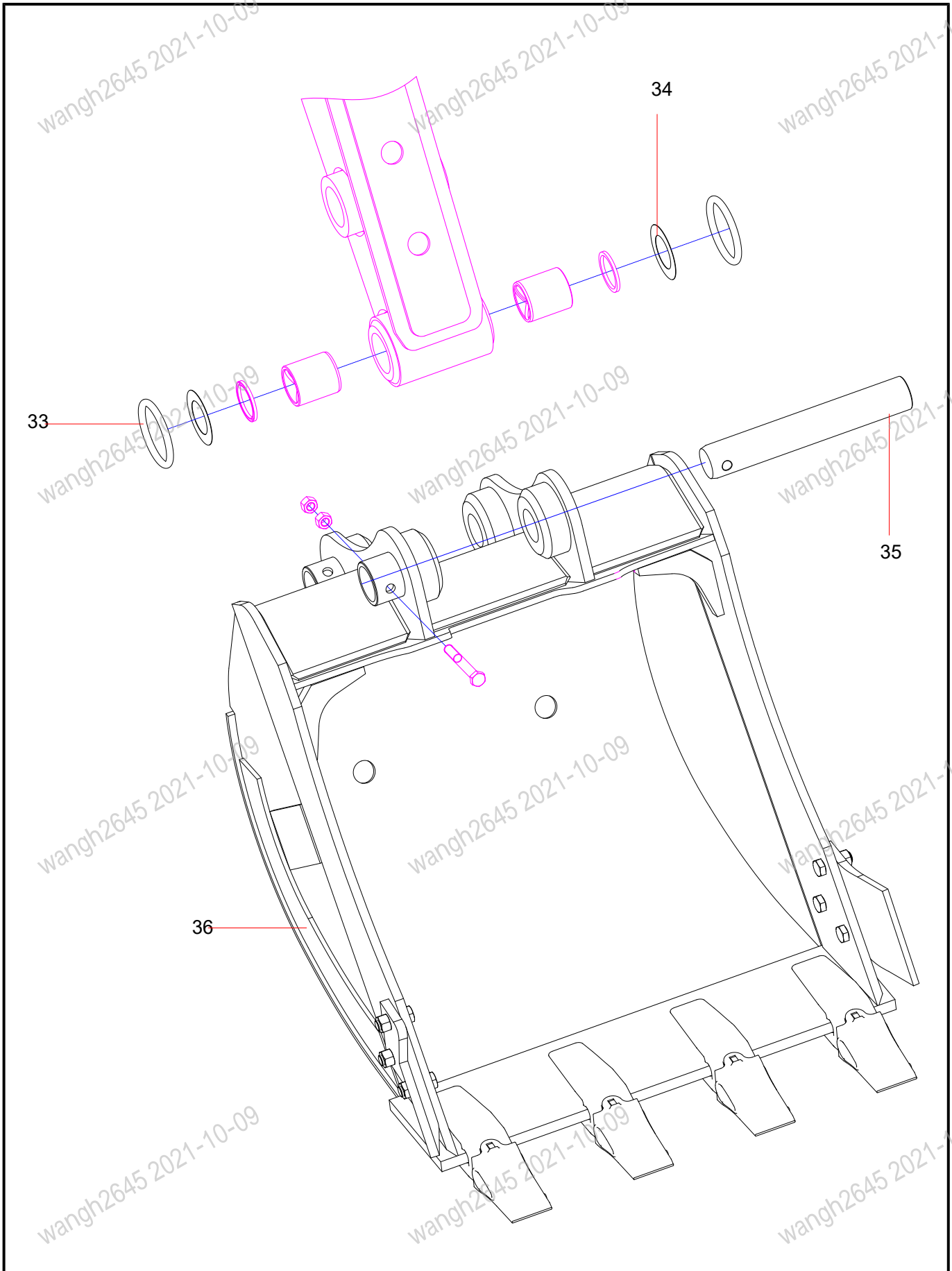
INDEX	PART NO.	DESCRIPTION	QTY	SEE PAGE
14	13262996	shaft	3	



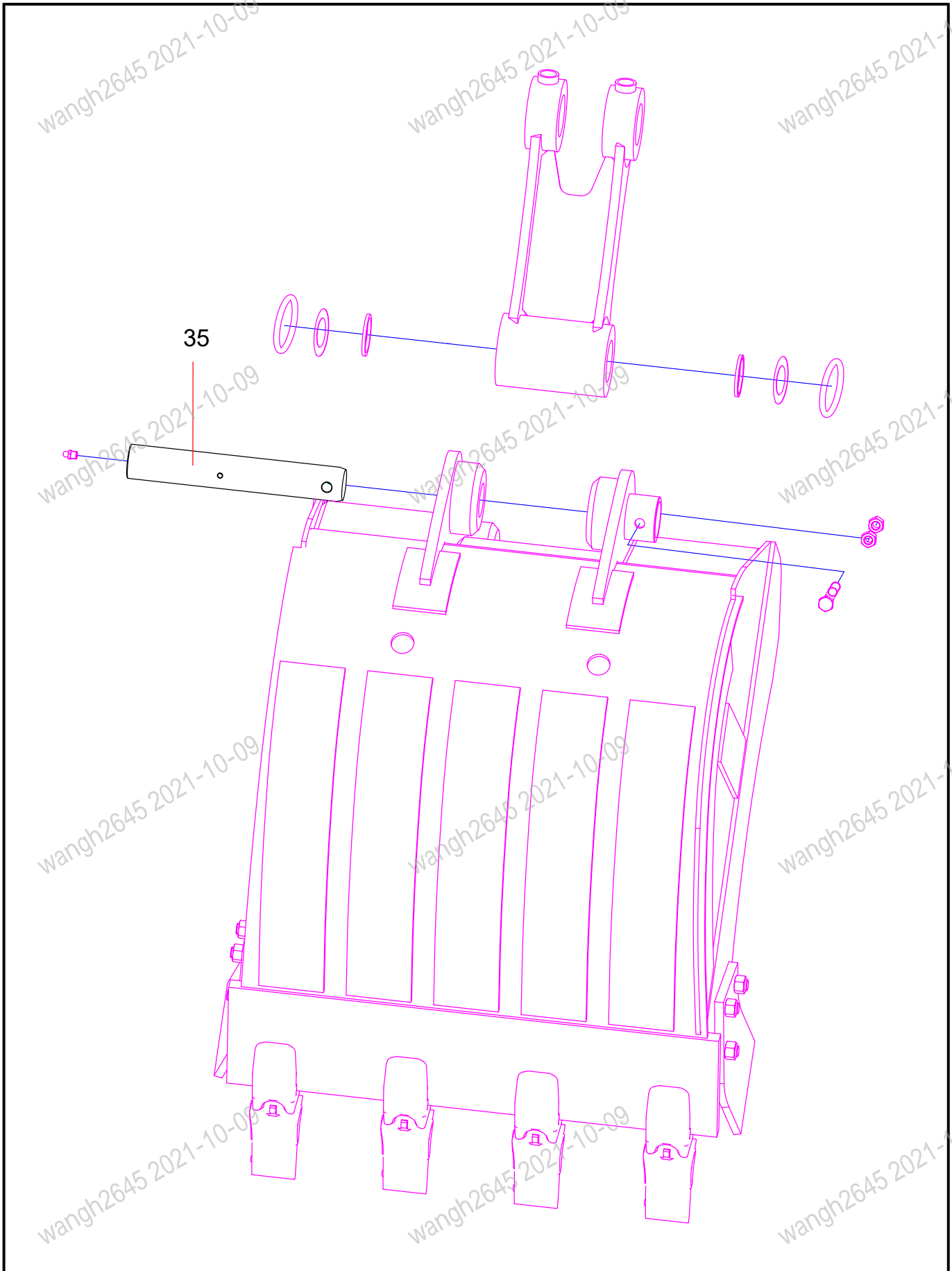
INDEX	PART NO.	DESCRIPTION	QTY	SEE PAGE
20	A210804000002	Fitting, Grease	6	
27	13263029	shaft	1	
28	13263079	jiggle bar	1	
29	13263080	jiggle bar component	1	



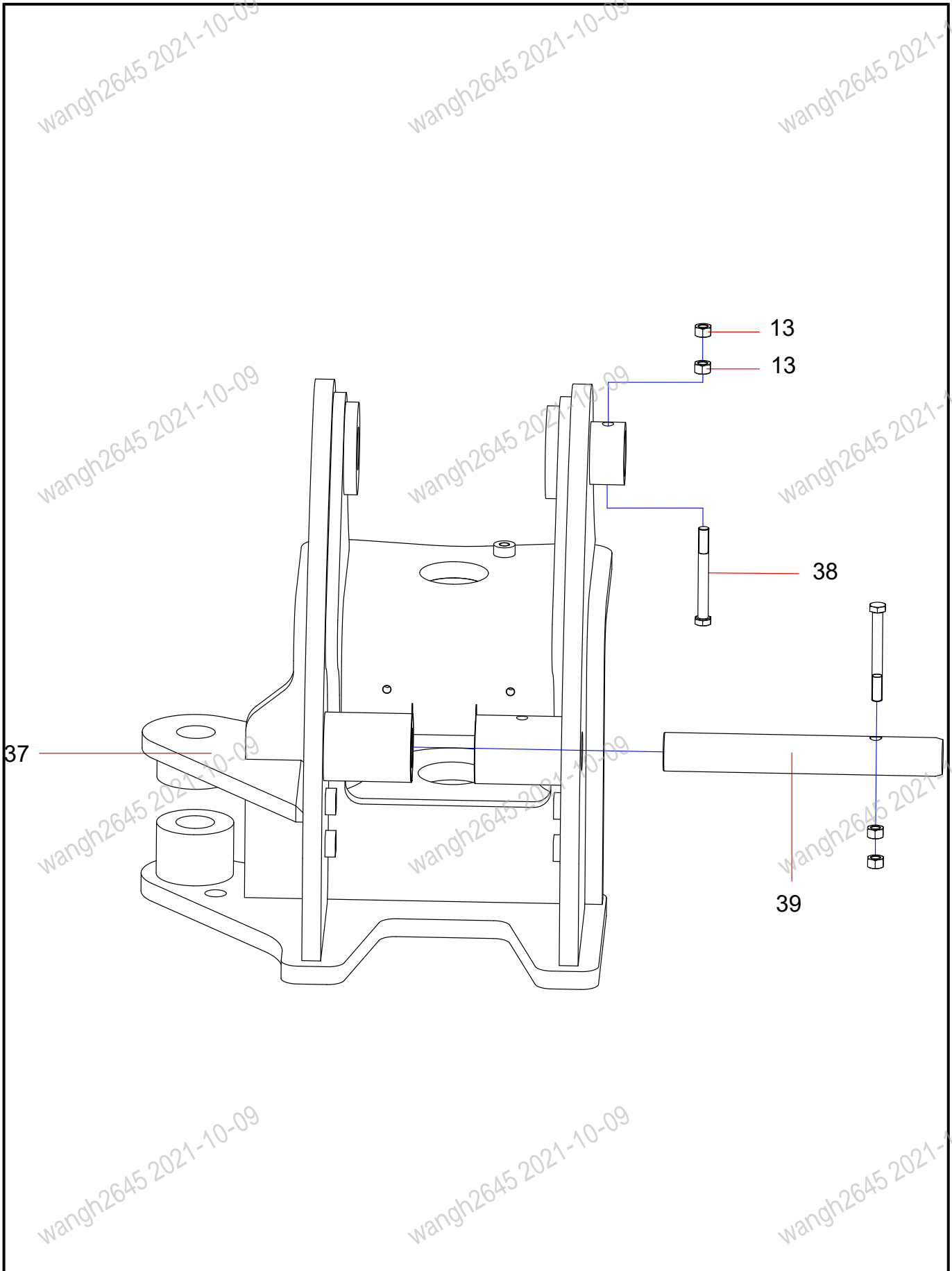
INDEX	PART NO.	DESCRIPTION	QTY	SEE PAGE
30	13263037	shaft	1	
31	60176726	Dust Ring	12	
32	SSY004705812	Connecting Rod Assy	1	4-36



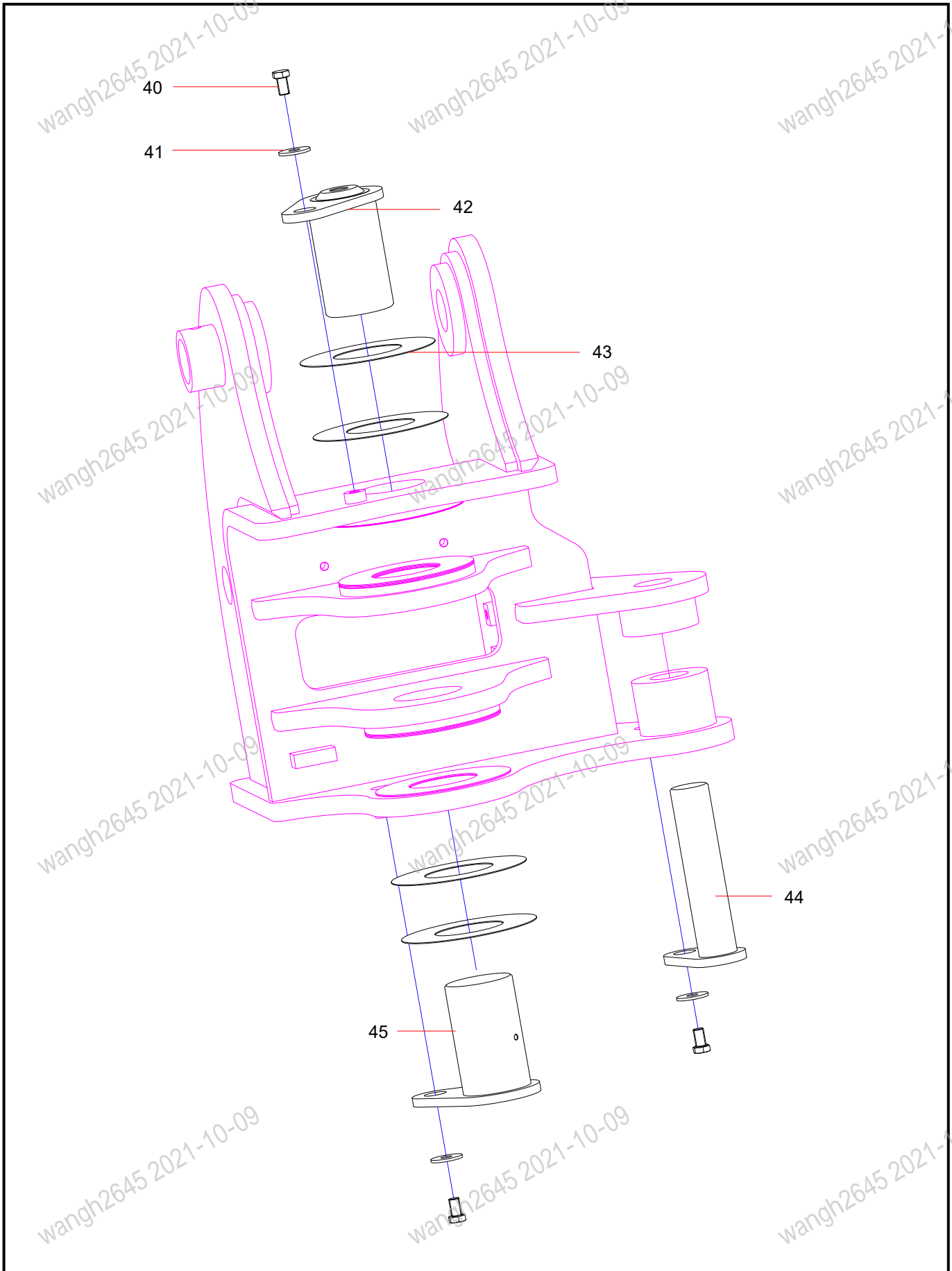
INDEX	PART NO.	DESCRIPTION	QTY	SEE PAGE
33	13263026	O Ring	4	
34	13262744	Shim	4	
35	13263018	shaft	2	
36	13260590	bucket	1	4-38



INDEX	PART NO.	DESCRIPTION	QTY	SEE PAGE
35	13263018	shaft	2	

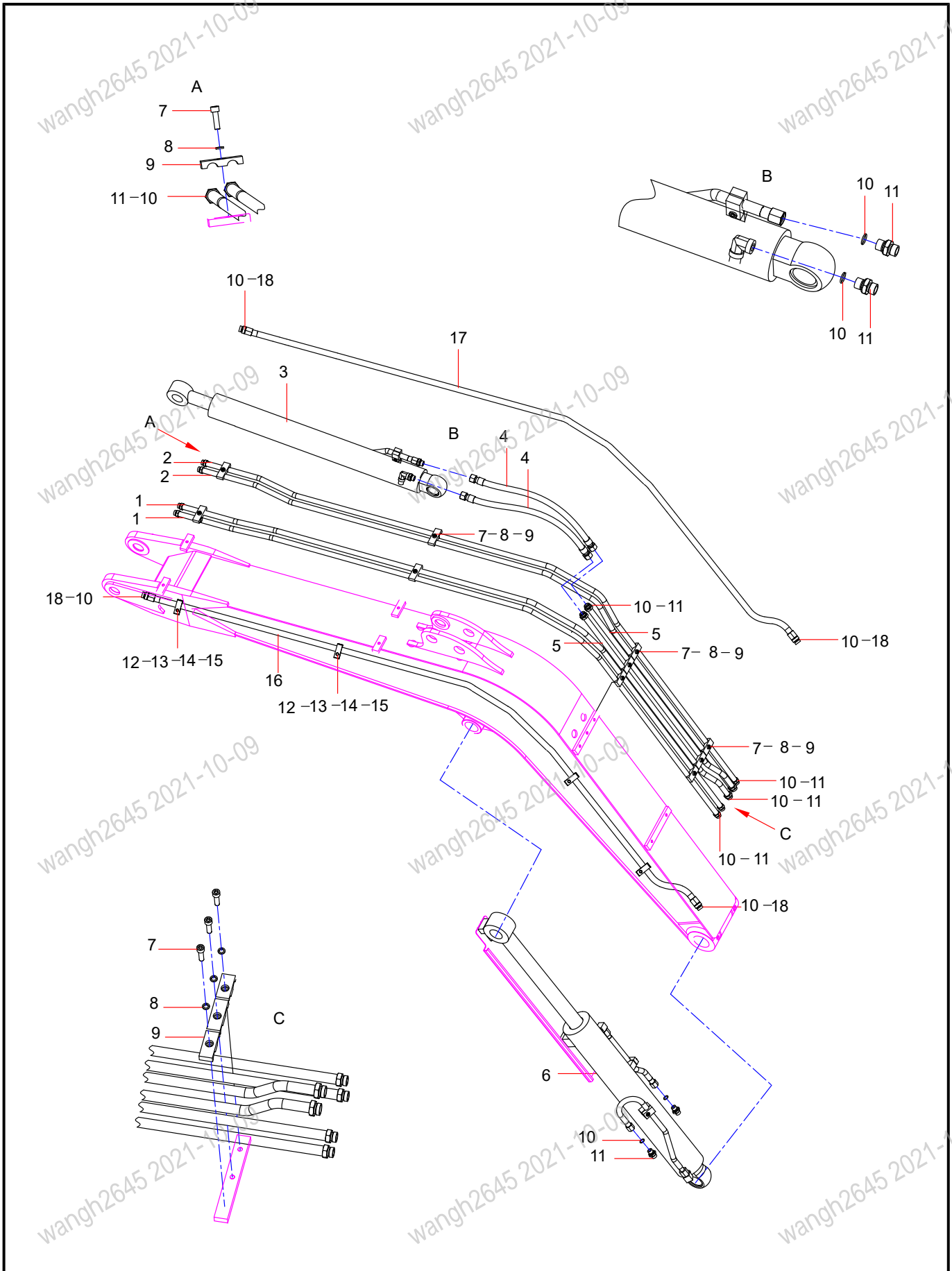


INDEX	PART NO.	DESCRIPTION	QTY	SEE PAGE
13	A210307000031	Nut	22	
37	13720907	support	1	
38	A210110000384	Bolt M12×110GB5782 Grade 10.9	2	
39	13722493	shaft	1	

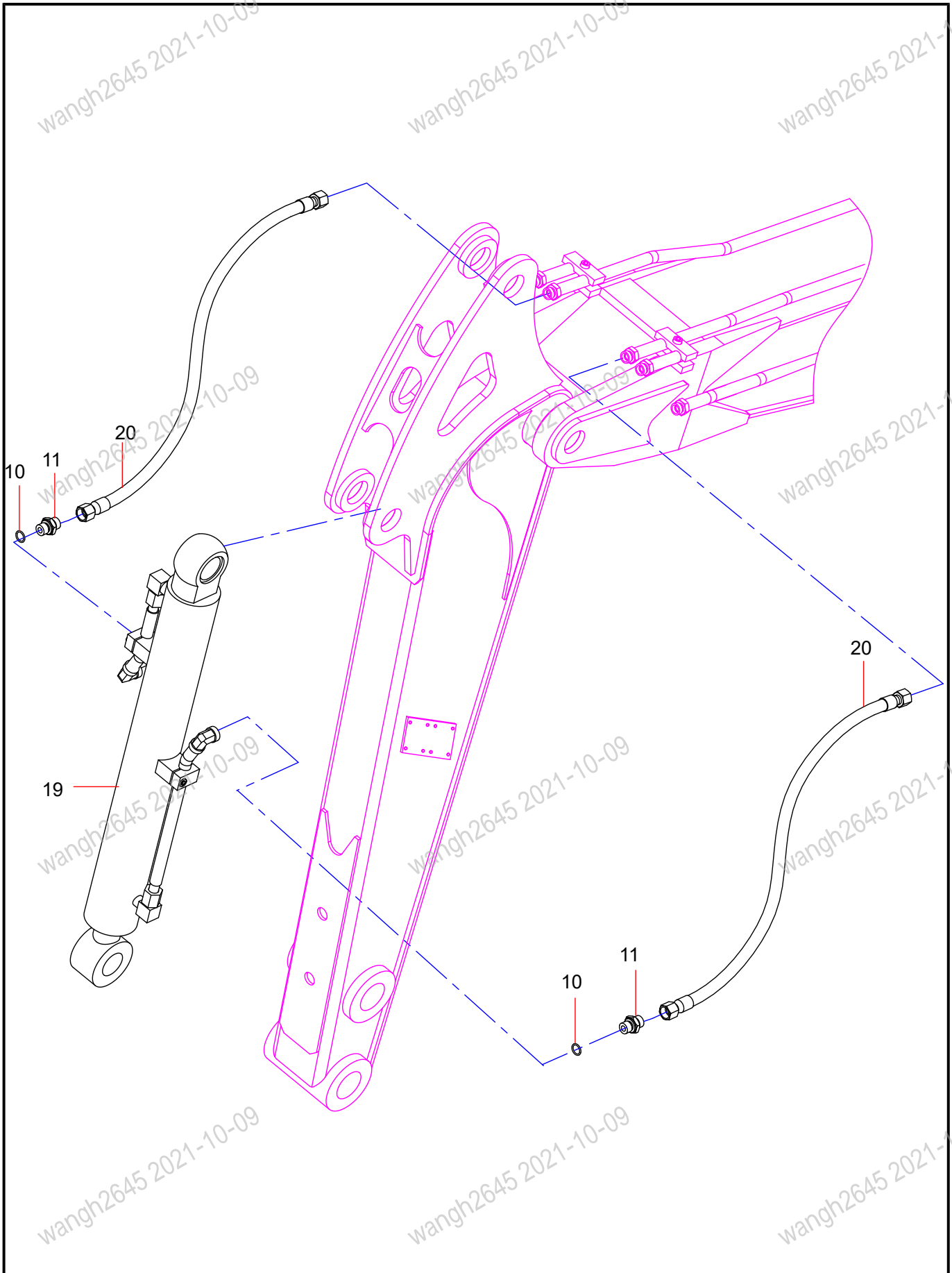


INDEX	PART NO.	DESCRIPTION	QTY	SEE PAGE
40	A210111000199	Bolt	3	
41	60060548	Washer	3	
42	13722049	Brace piece axial pin	1	
43	13722823	spacer	16	
44	13721787	Brace piece axial pin	1	
45	13722055	Brace piece axial pin	1	

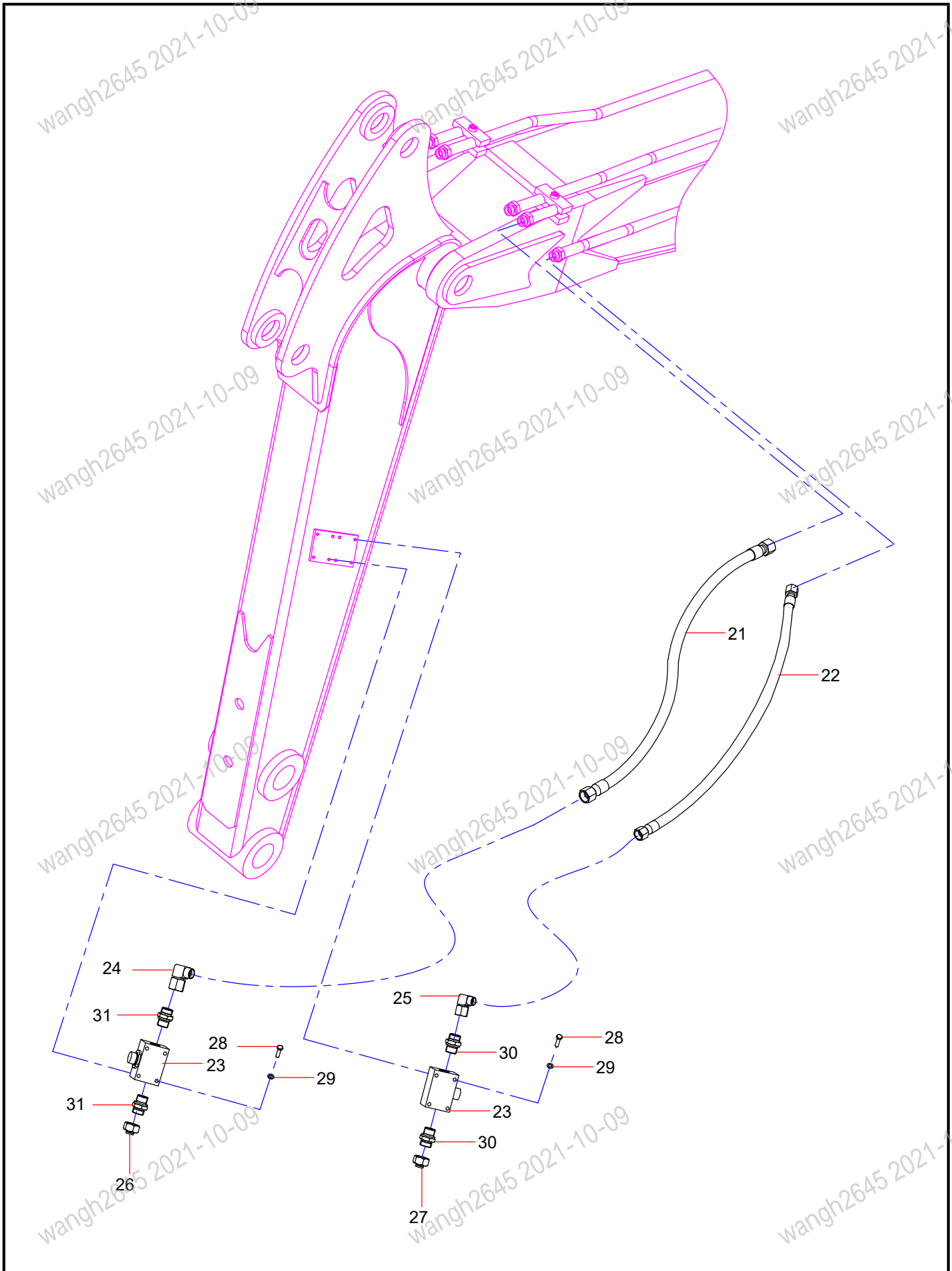
Work device Tube (1/3)



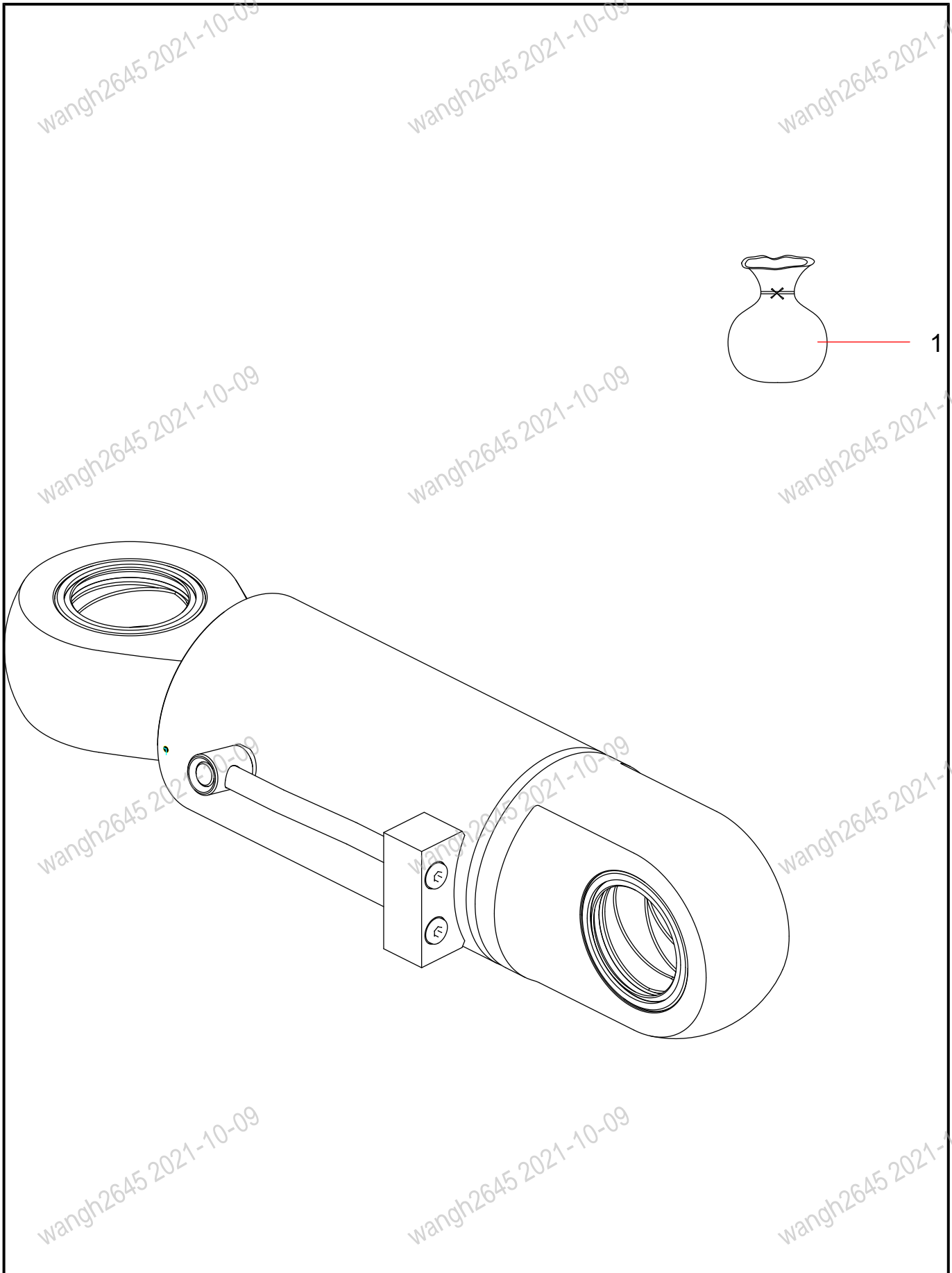
INDEX	PART NO.	DESCRIPTION	QTY	SEE PAGE
1	13264620	Steel tube assembly of bucket cylinder	2	
2	13264615	Steel tube assembly of bucket cylinder	2	
3	13286928	Bucket Oil Cylinder	1	4-32
4	60252515	rubber hose	2	
5	13264605	Steel tube assembly of arm cylinder	2	
6	13286585	Bucket Oil Cylinder	1	4-34
7	A210204000356	Screw	10	
8	24000512	Washer	10	
9	12085732	Upper tube clamp	10	
10	B230101000090	O-ring	22	
11	A820205002535	G1/2-M22-L35 Adaptor	18	
12	13909457	pipe nip	8	
13	23000063	Screw	8	
14	24000633	Washer	8	
15	24000511	Washer	8	
16	13846788	Steel tube assemble	1	
17	13846790	Steel tube assemble	1	
18	10541251	Connector	4	



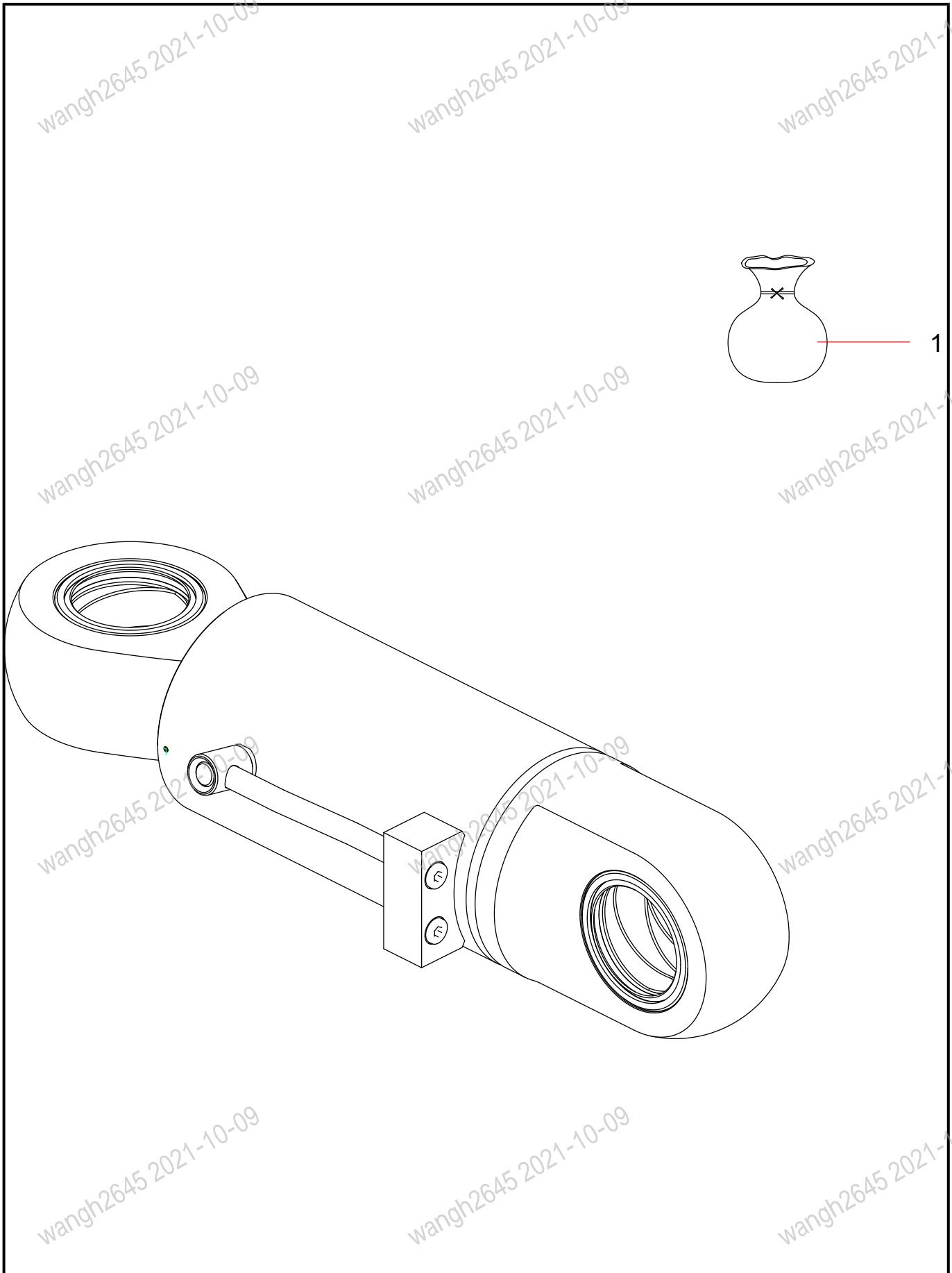
INDEX	PART NO.	DESCRIPTION	QTY	SEE PAGE
10	B230101000090	O-ring	22	
11	A820205002535	G1/2-M22-L35 Adaptor	18	
19	250902030057A	Bucket Oil Cylinder	1	
20	151005160079A	Hose AS	2	



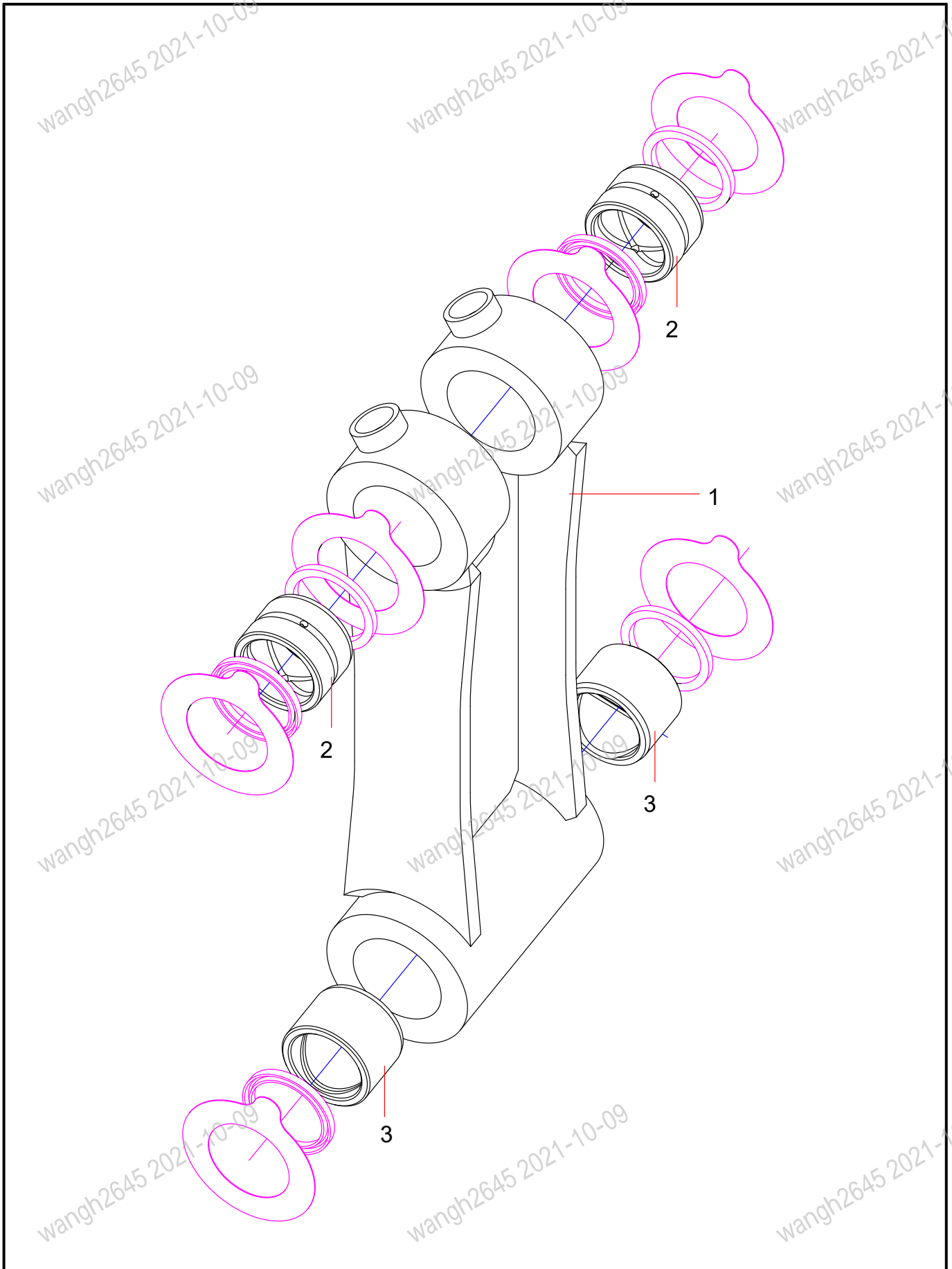
INDEX	PART NO.	DESCRIPTION	QTY	SEE PAGE
21	151005160080A	Hose AS	2	
22	60252518	rubber hose	2	
23	60246980	Ball Valve	4	
24	B210780000025	Fitting, Elbow	2	
25	B210780000024	Fitting, Elbow	2	
26	21017994	Choke Plug	2	
27	21020116	Plug	2	
28	A210204000218	Screw	16	
29	24000632	Washer	16	
30	B210780000179	Fitting	4	
31	B210780000043	Adapter Fitting	4	



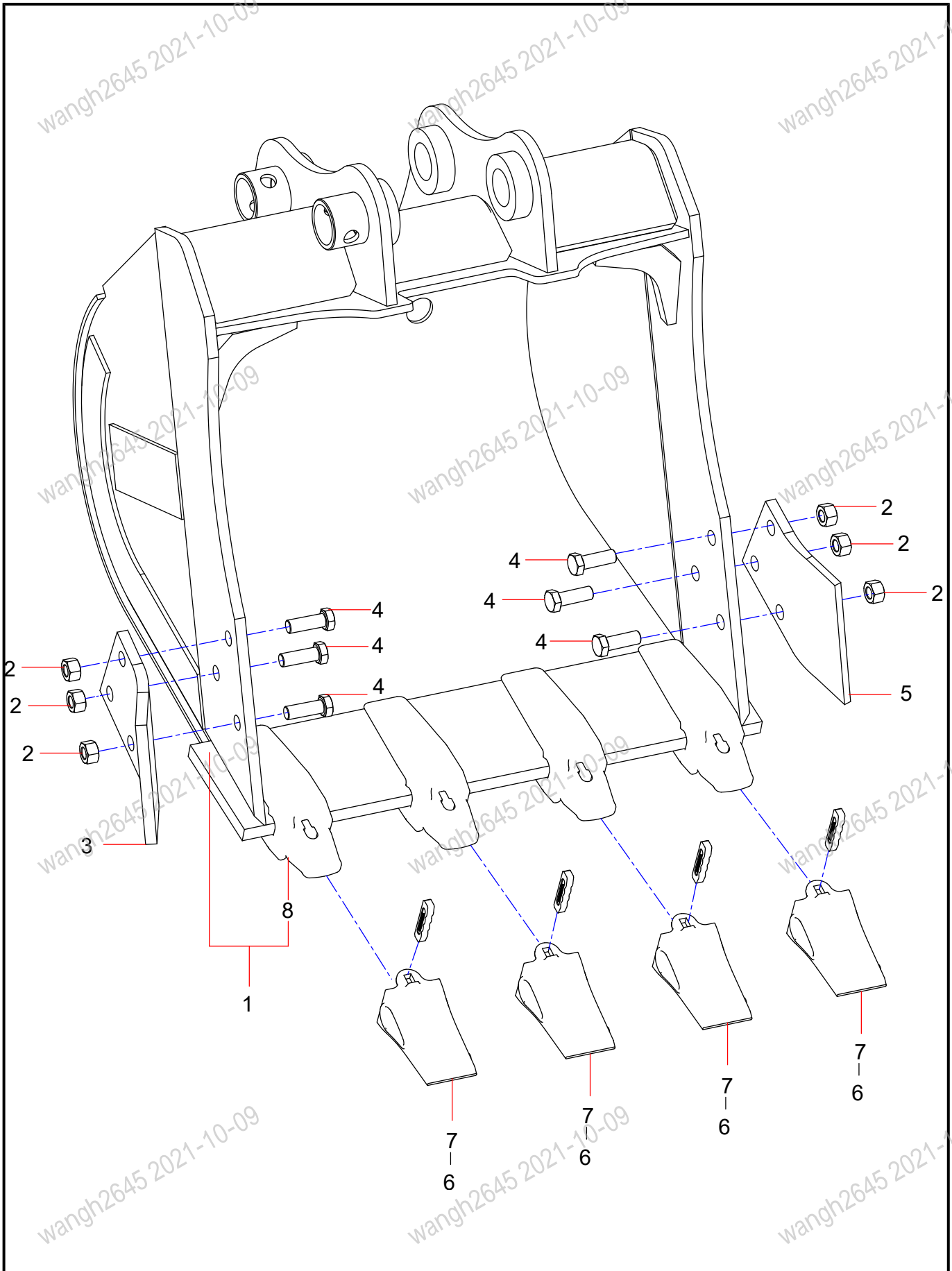
INDEX	PART NO.	DESCRIPTION	QTY	SEE PAGE
1	13296746	W52 sealer package	1	



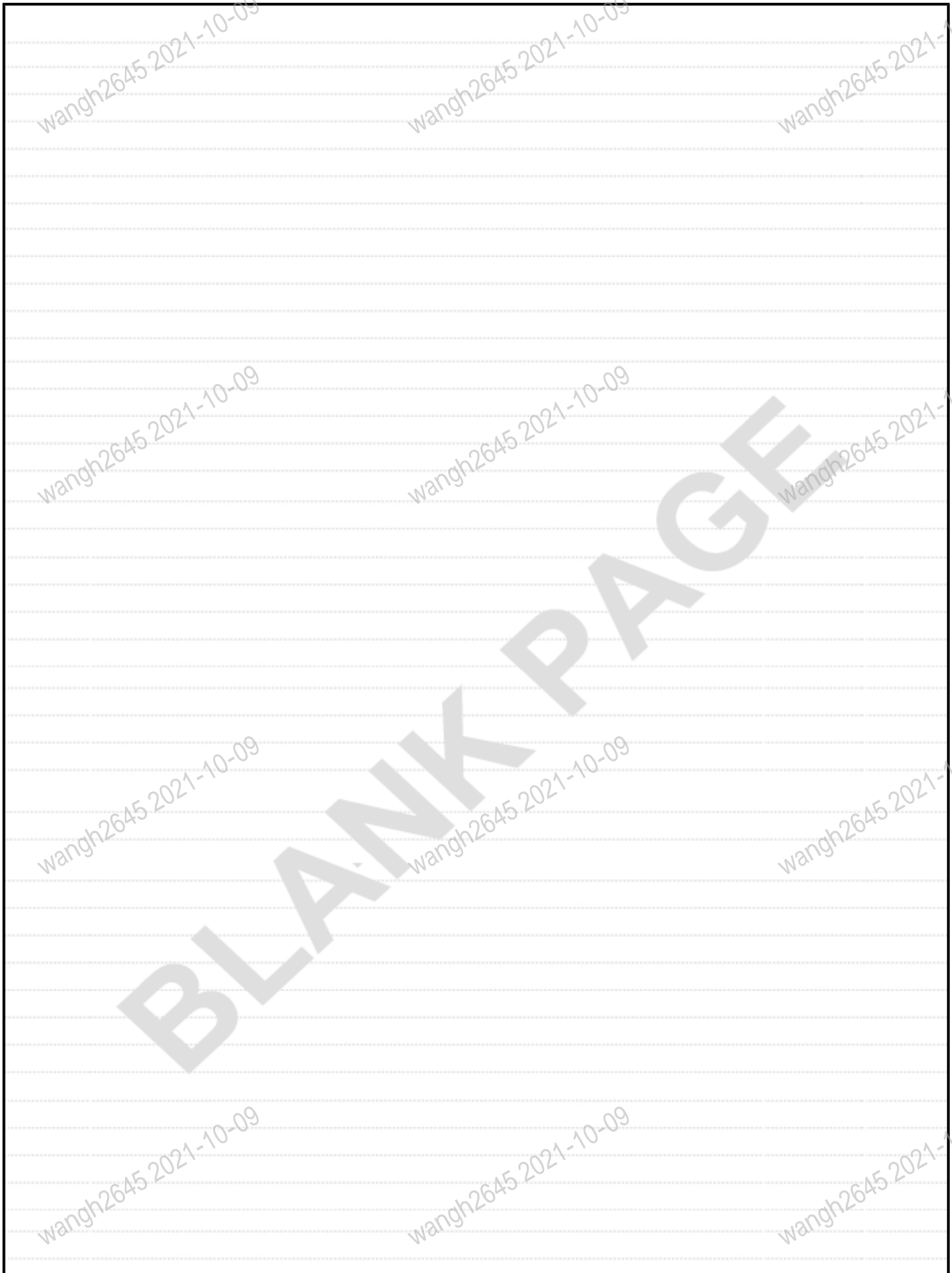
INDEX	PART NO.	DESCRIPTION	QTY	SEE PAGE
1	13296706	W51 sealer package	1	



INDEX	PART NO.	DESCRIPTION	QTY	SEE PAGE
1	13263233	Connecting Rod	1	
2	13262676	Shaft Sleeve	2	
3	13263066	Shaft Sleeve	2	

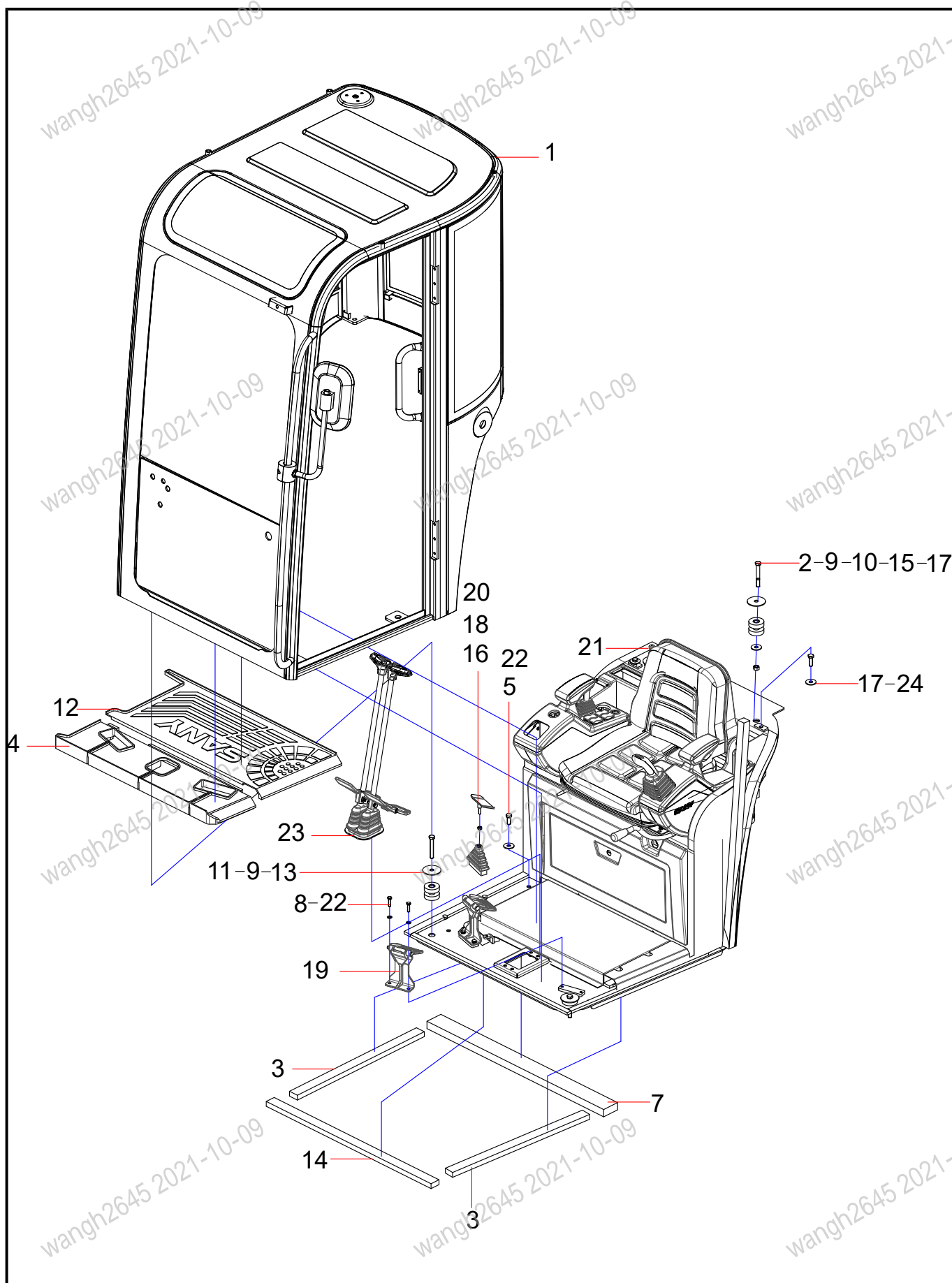


INDEX	PART NO.	DESCRIPTION	QTY	SEE PAGE
1	13260463	Bucket body	1	
2	A210307000002	Nut	6	
3	13063808	Left tooth	1	
4	A210111000208	Bolt	6	
5	13063809	Right tooth	1	
6	13073197	pin	4	
7	13063810	Bucket Tooth	4	
8	13063811	Base of Tooth	4	

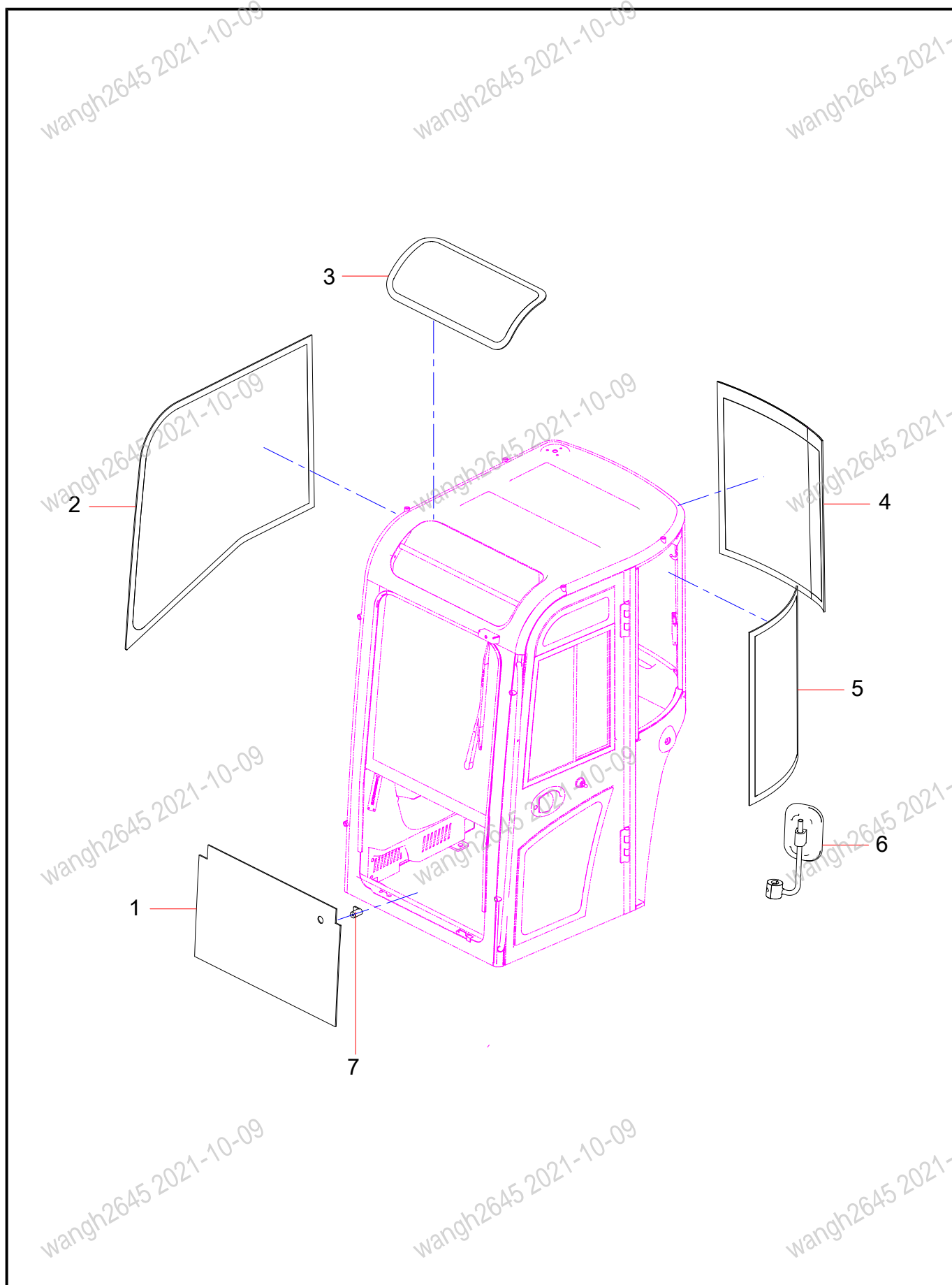


Group 5

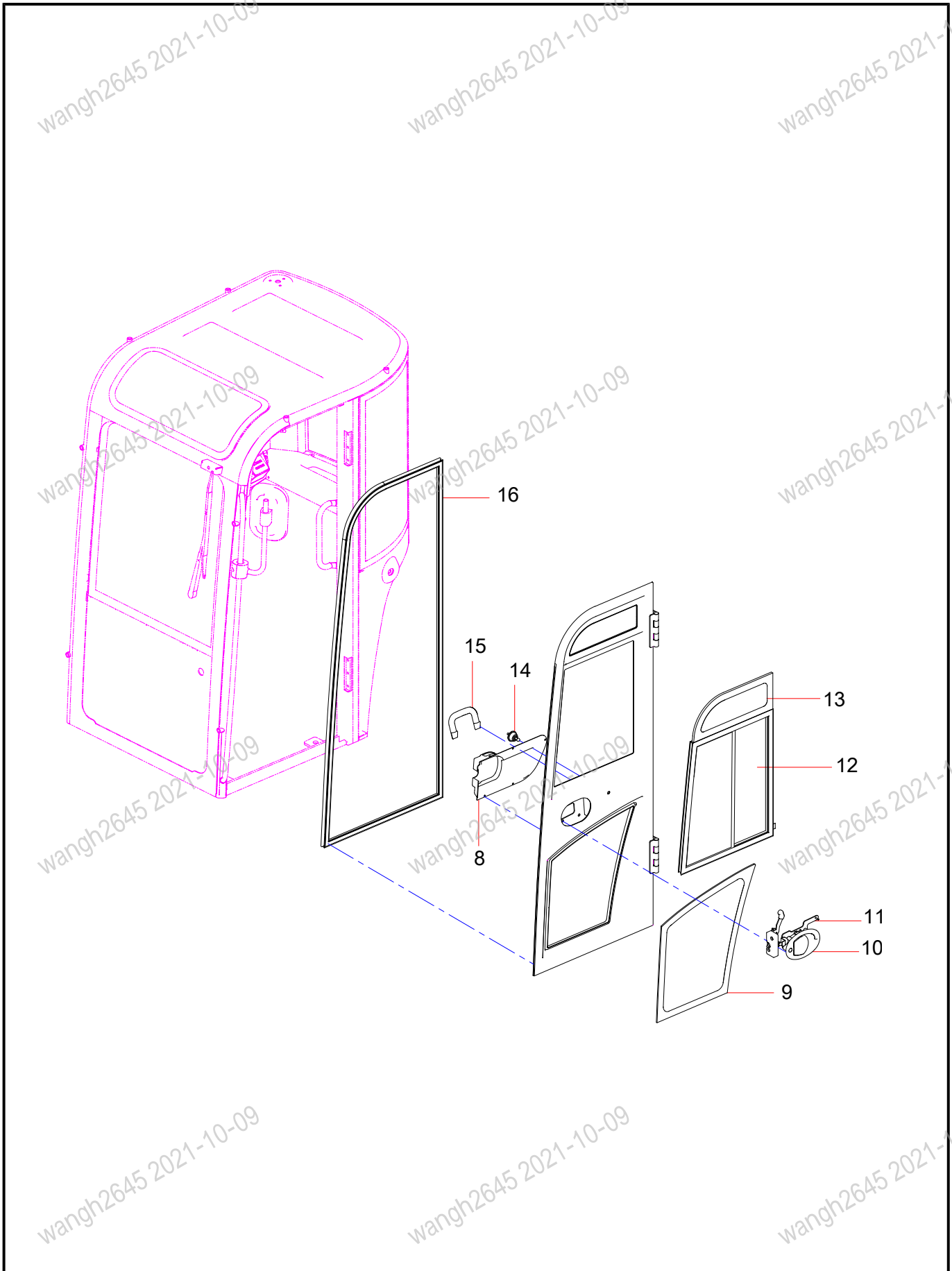
CAB



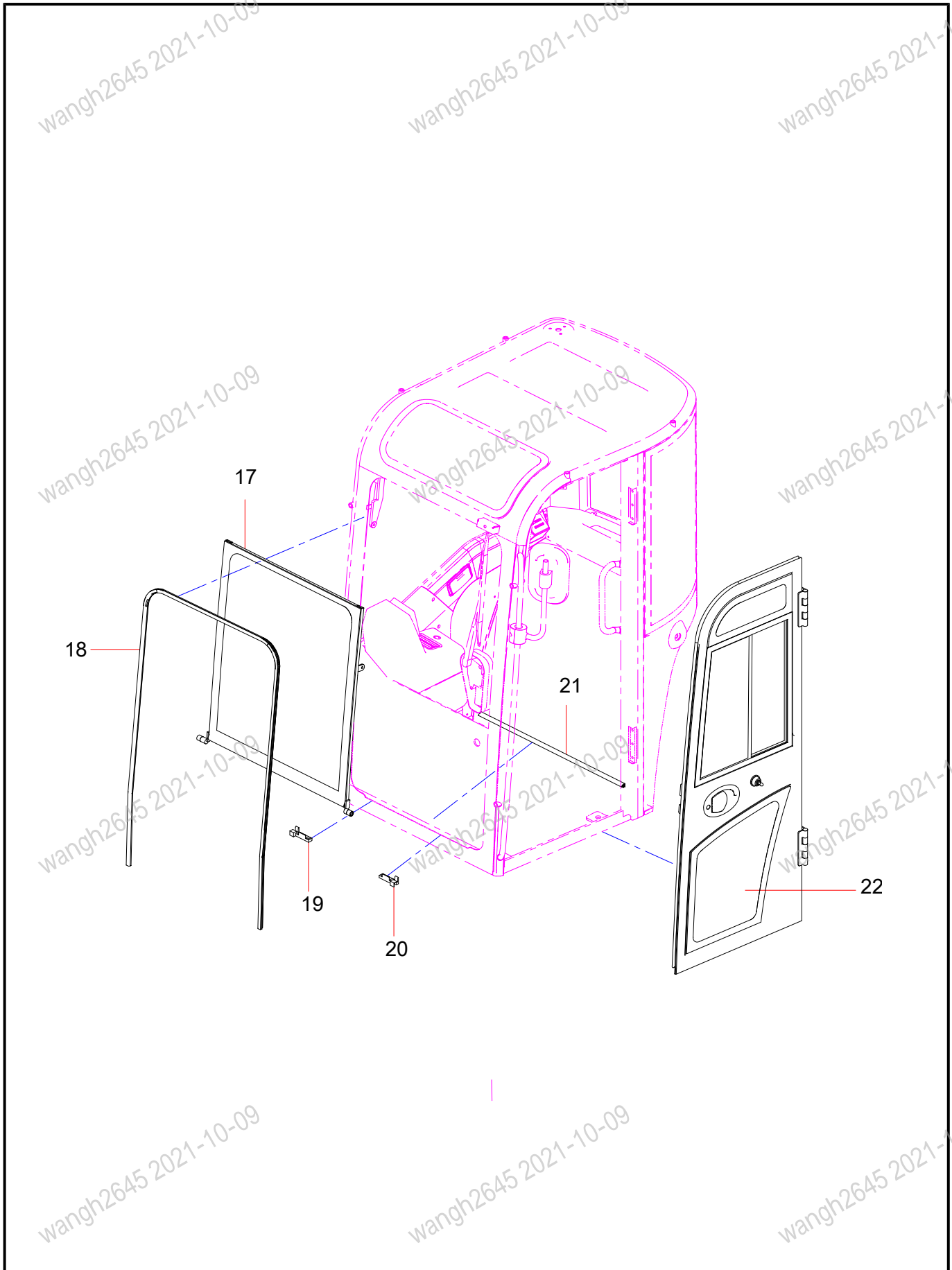
INDEX	PART NO.	DESCRIPTION	QTY	SEE PAGE
1	60232041	cab	1	5-4
2	60236399	Damper	2	
3	13117632	cab side sponge	2	
4	13664659	front rubber cushion	1	
5	60060548	Washer	2	
7	13117634	cab rear sponge	1	
8	24000633	Washer	4	
9	13004265	damper lower backup plate	4	
10	A210110000323	Bolt	2	
11	A210111000127	Bolt	2	
12	13140255	back rubber cushion	1	
13	60236398	Damper	2	
14	13117631	cab front sponge	1	
15	A210307000001	Nut	2	
16	13635938	pedal protective sleeve	1	
17	A210404000004	Washer	4	
18	A210307000012	Nut	1	
19	13603246	pendulum pedal assy	2	5-26
20	13845262	run-out footplate	1	
21		seat and control assem	1	5-28
22	A210111000293	Bolt	4	
23		running control mechanism assem	1	5-38
24	A210111000039	Bolt	2	



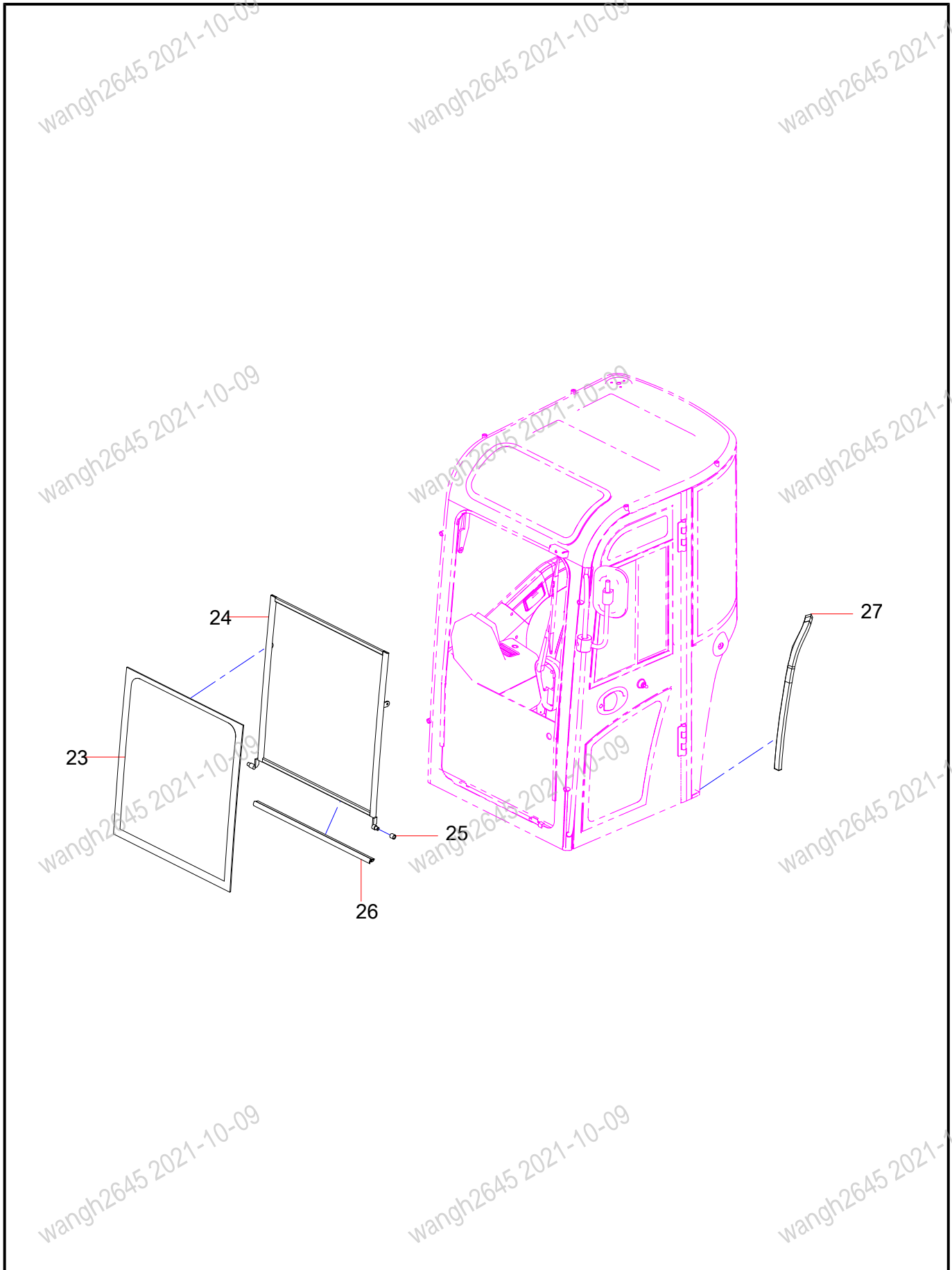
INDEX	PART NO.	DESCRIPTION	QTY	SEE PAGE
1	60248539	front-lower glass	1	
2	60248540	right side glass	1	
3	60248543	top glass	1	
4	60248542	back glass	1	
5	60248541	left-back side glass	1	
6	60166748	rearview	1	5-24
7	60310752	Limited pole of glass	2	



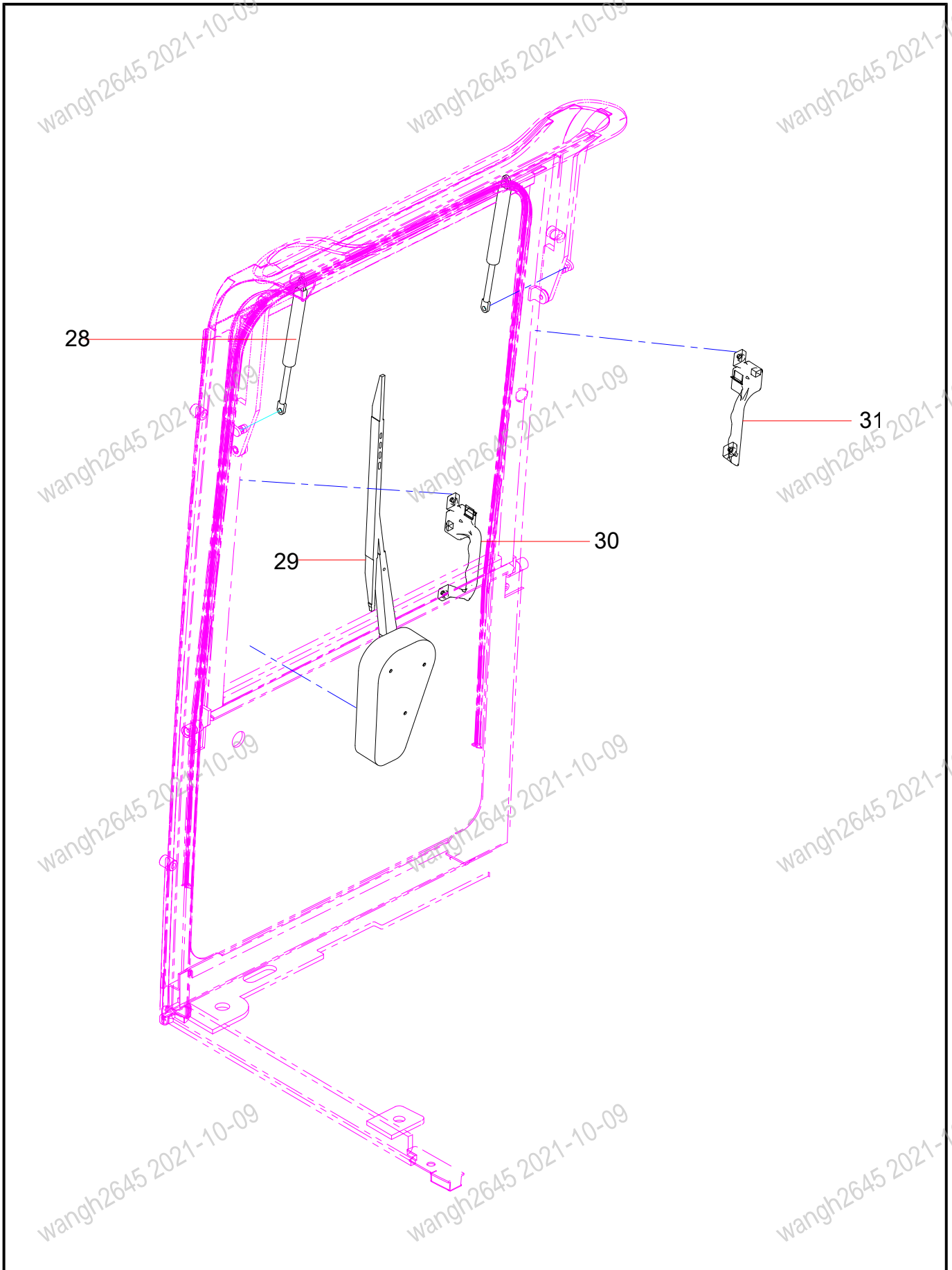
INDEX	PART NO.	DESCRIPTION	QTY	SEE PAGE
8	60248571	Decoration Plate of Lock	1	
9	60248545	Bottom Glass of Door	1	
10	60248549	Lock Handle from Outside	1	
11	60248550	Lock of Door	1	
12	60248546	Sliding Window of Door	1	
13	60248544	Top Glass of Door	1	
14	60248551	Lock Catch of Door	1	
15	60248575	Handle Indoor	1	
16	60248535	Sealing Rubber Strip of Door	1	



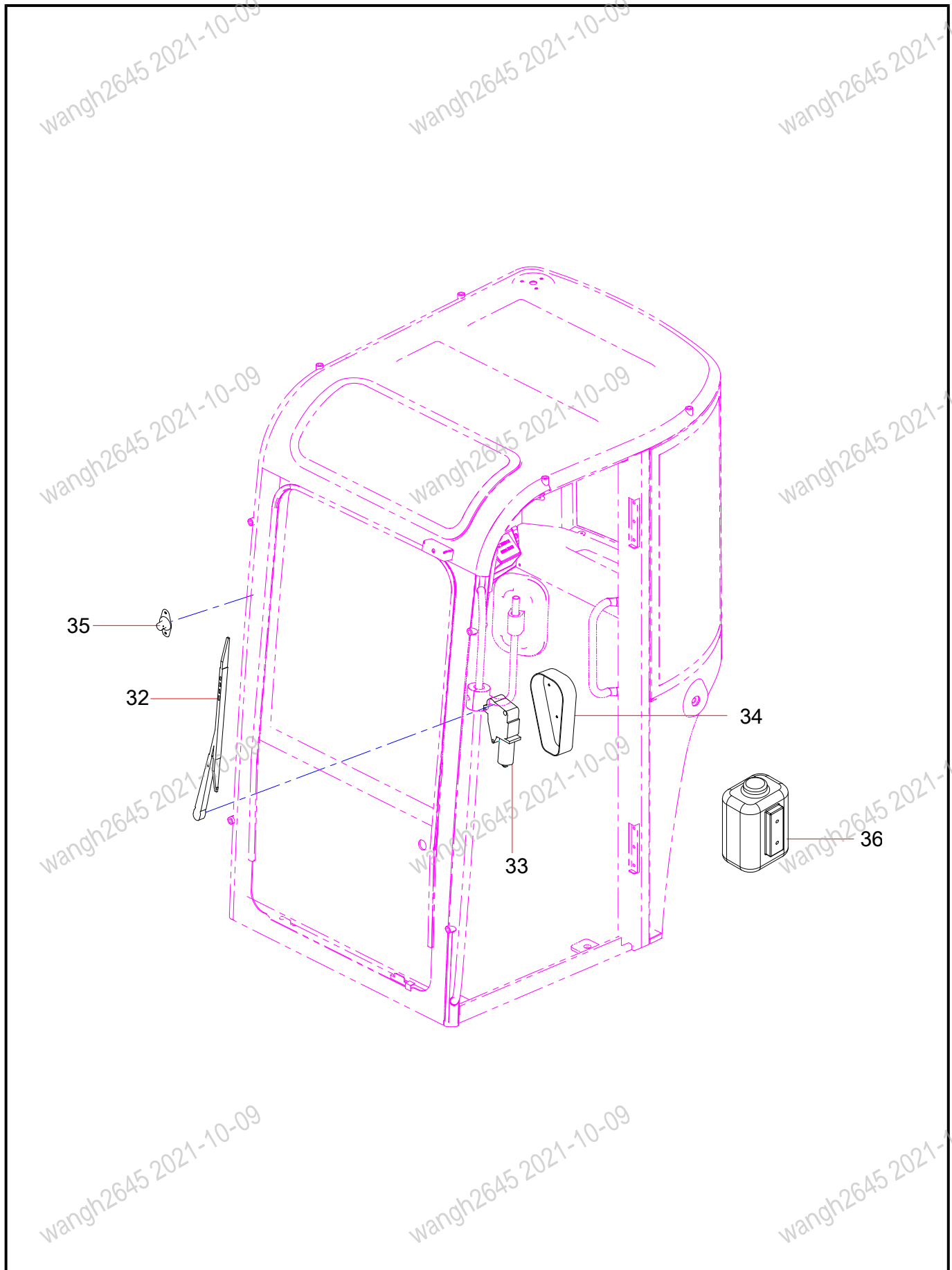
INDEX	PART NO.	DESCRIPTION	QTY	SEE PAGE
17	60248581	front window assembly	1	
18	60248532	sealing rubber strip of front window	1	
19	A229900008230	Right Lower Fixed Block 70×20×23	1	
20	A229900008231	Left Lower Fixed Block 70×20×23	1	
21	60248537	sealing rubber of front-lower glass	1	
22	60248579	door assembly	1	



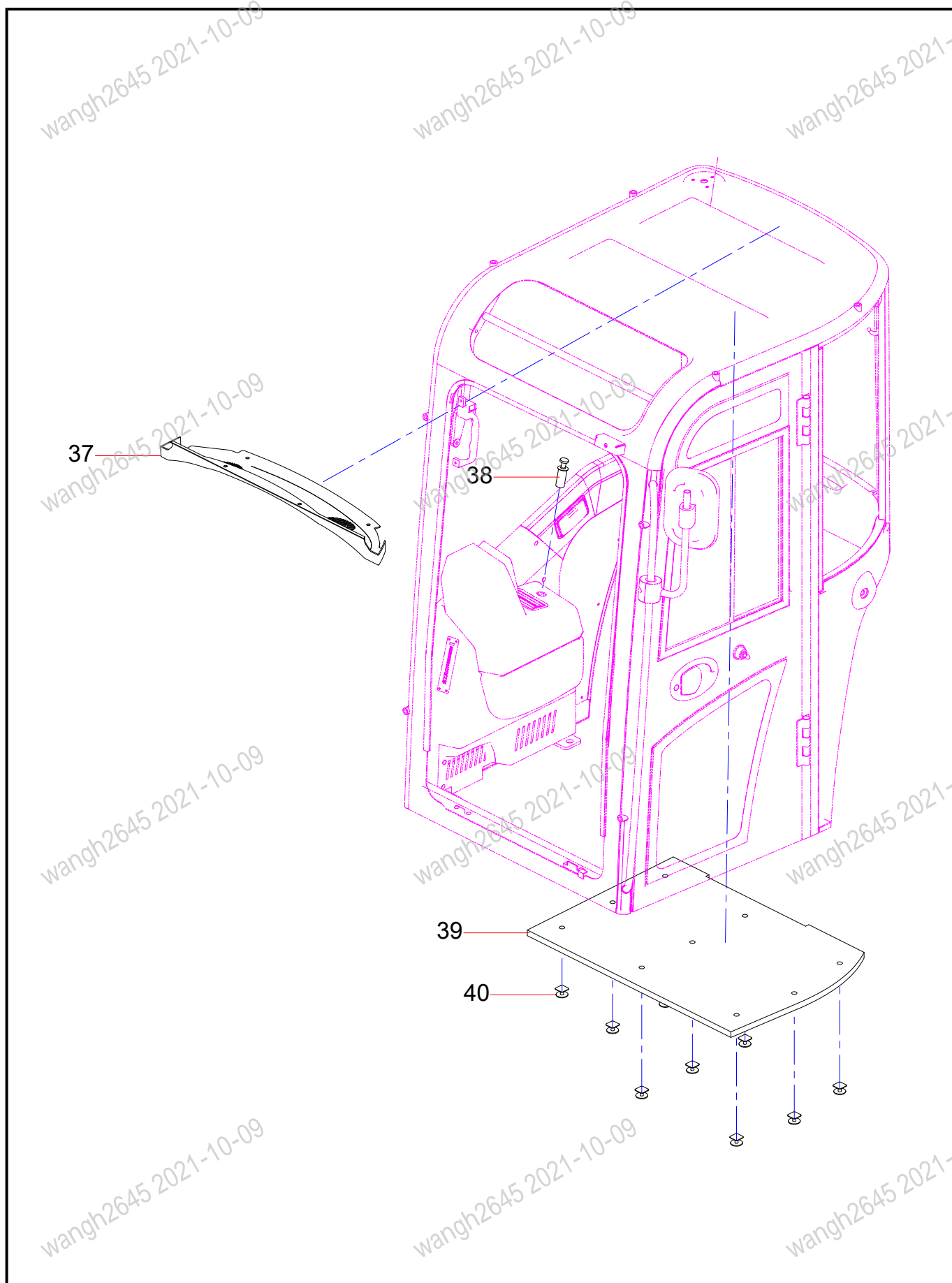
INDEX	PART NO.	DESCRIPTION	QTY	SEE PAGE
23	60248538	glass of front window	1	
24	60248580	front window frame	1	
25	60248576	roller of front window	2	
26	60248533	lower rubber strip of front window	1	
27	60328546	back water-proof rubber strip	1	



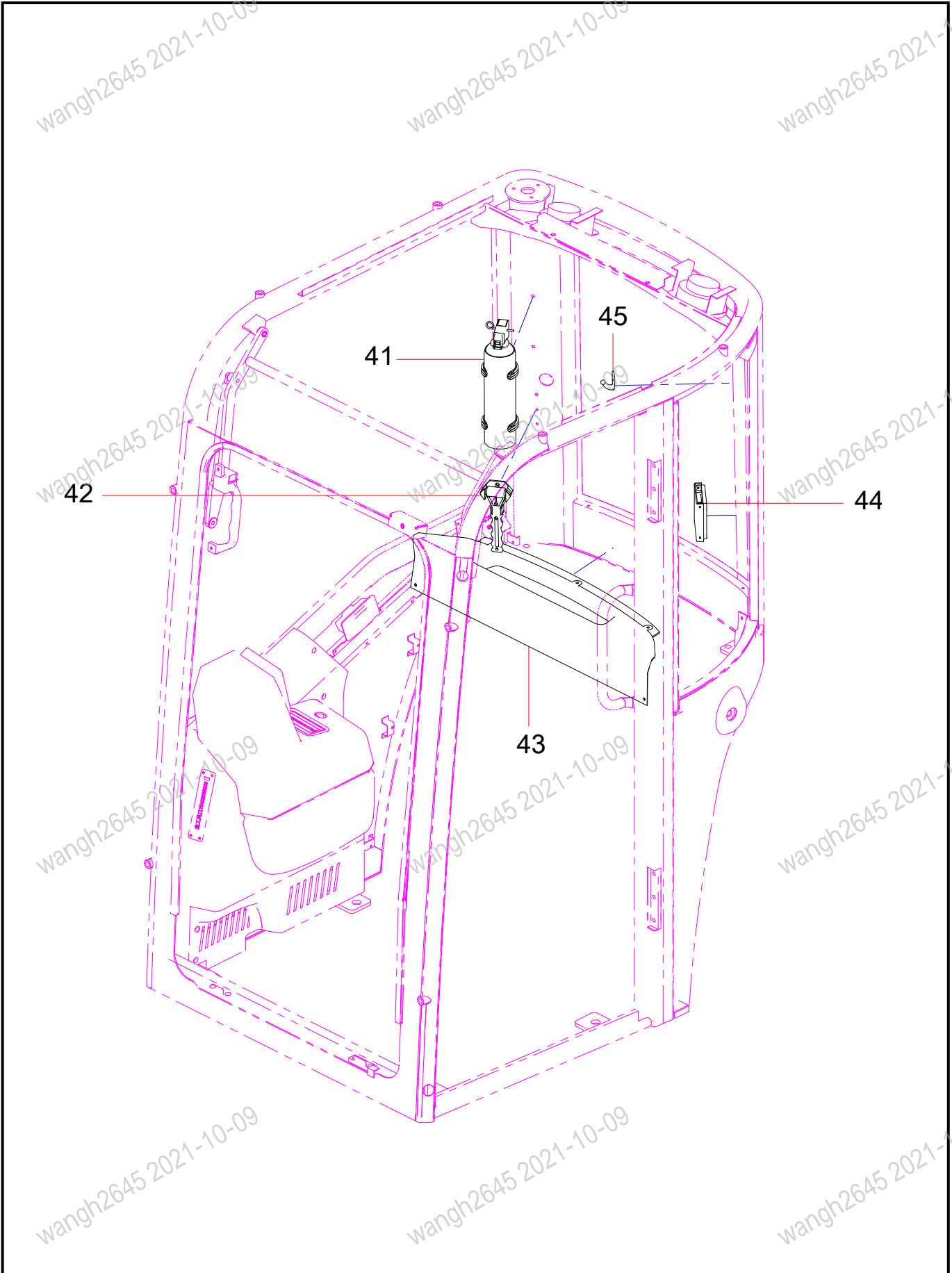
INDEX	PART NO.	DESCRIPTION	QTY	SEE PAGE
28	60248578	Gas Spring	2	
29	60248560	windscreen wiper assembly	1	
30	60248547	Lock of Front Window(Left)	1	
31	60248548	Lock of Front Window(Right)	1	



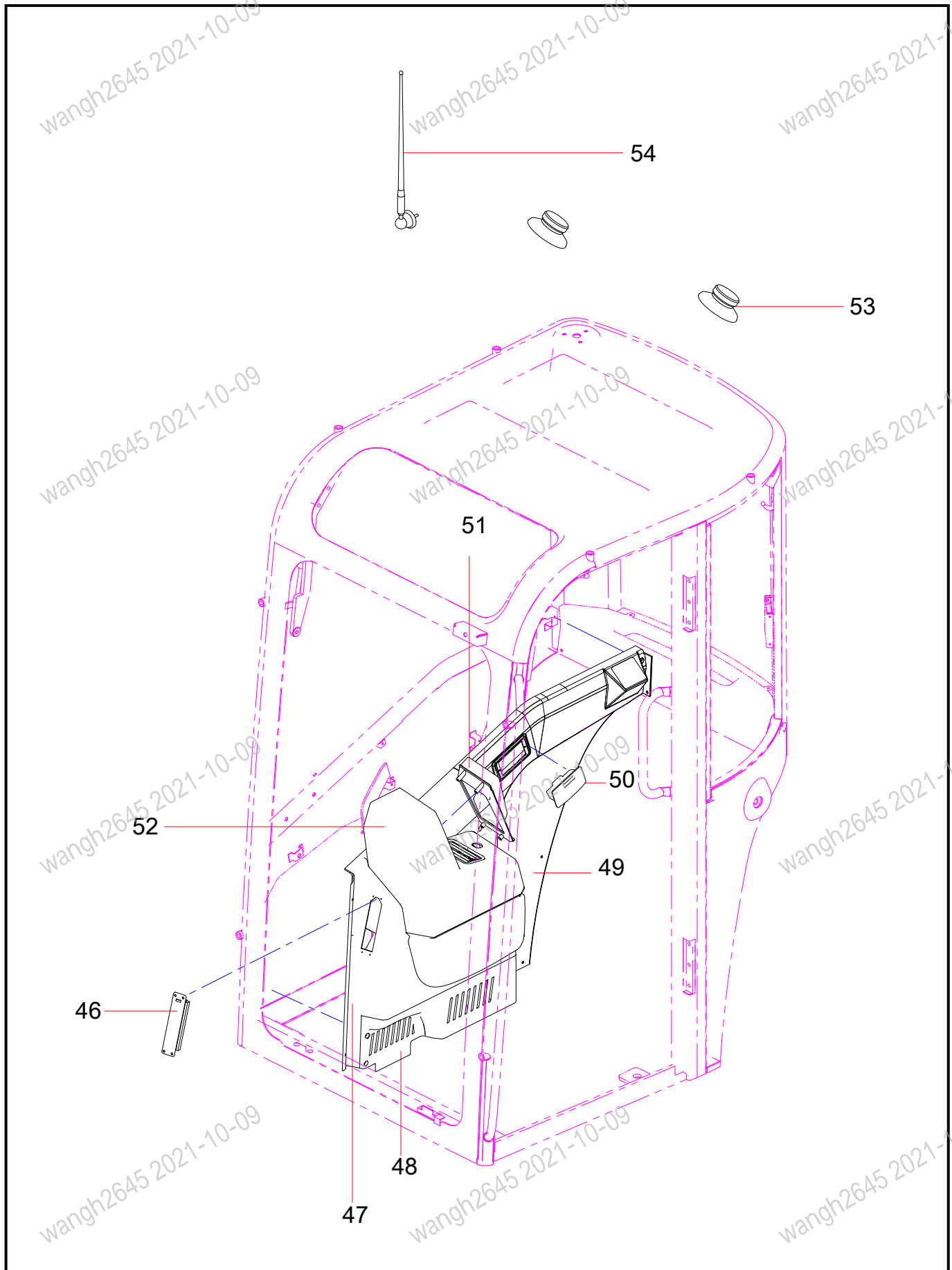
INDEX	PART NO.	DESCRIPTION	QTY	SEE PAGE
32	60248561	wiper arm	1	
33	60248562	wiper motor	1	
34	60248583	plastic cover of windscreen wiper	1	
35	60166732	Water Spraying Nipple	1	
36	60310282	Water Jet ASSY	1	



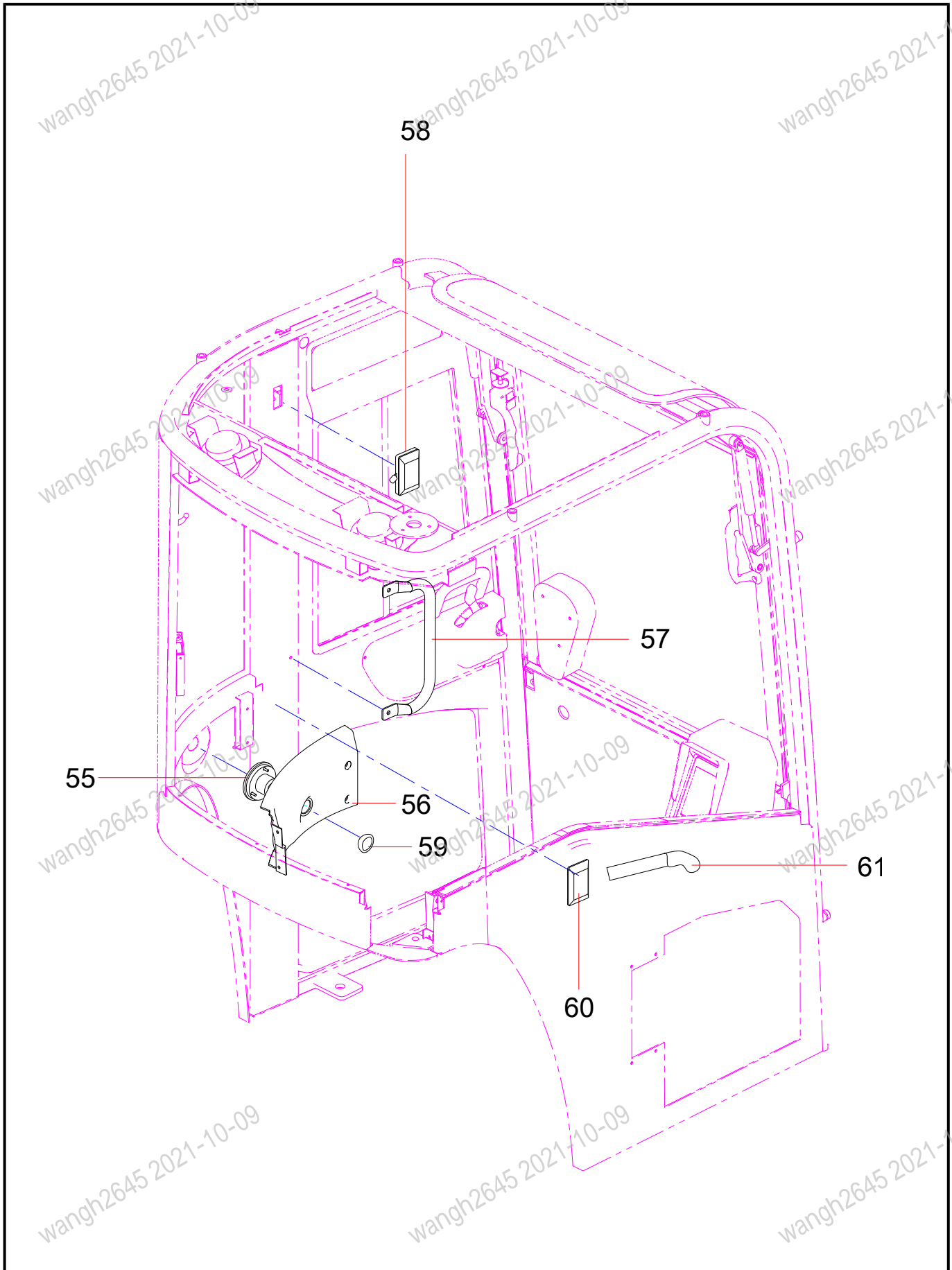
INDEX	PART NO.	DESCRIPTION	QTY	SEE PAGE
37	60248568	horn cover	1	
38	60248582	cigarette lighter	1	
39	60248585	top thermal insulation sponge	1	
40	60248586	Pintle of Top Thermal Insulation Sponge	9	



INDEX	PART NO.	DESCRIPTION	QTY	SEE PAGE
41	60001289	Fire Extinguisher	1	
42	60052666	Safety Hammer	1	
43	60248569	back inner plaque	1	
44	60248553	saucer	1	
45	60166735	Pin Rail	1	

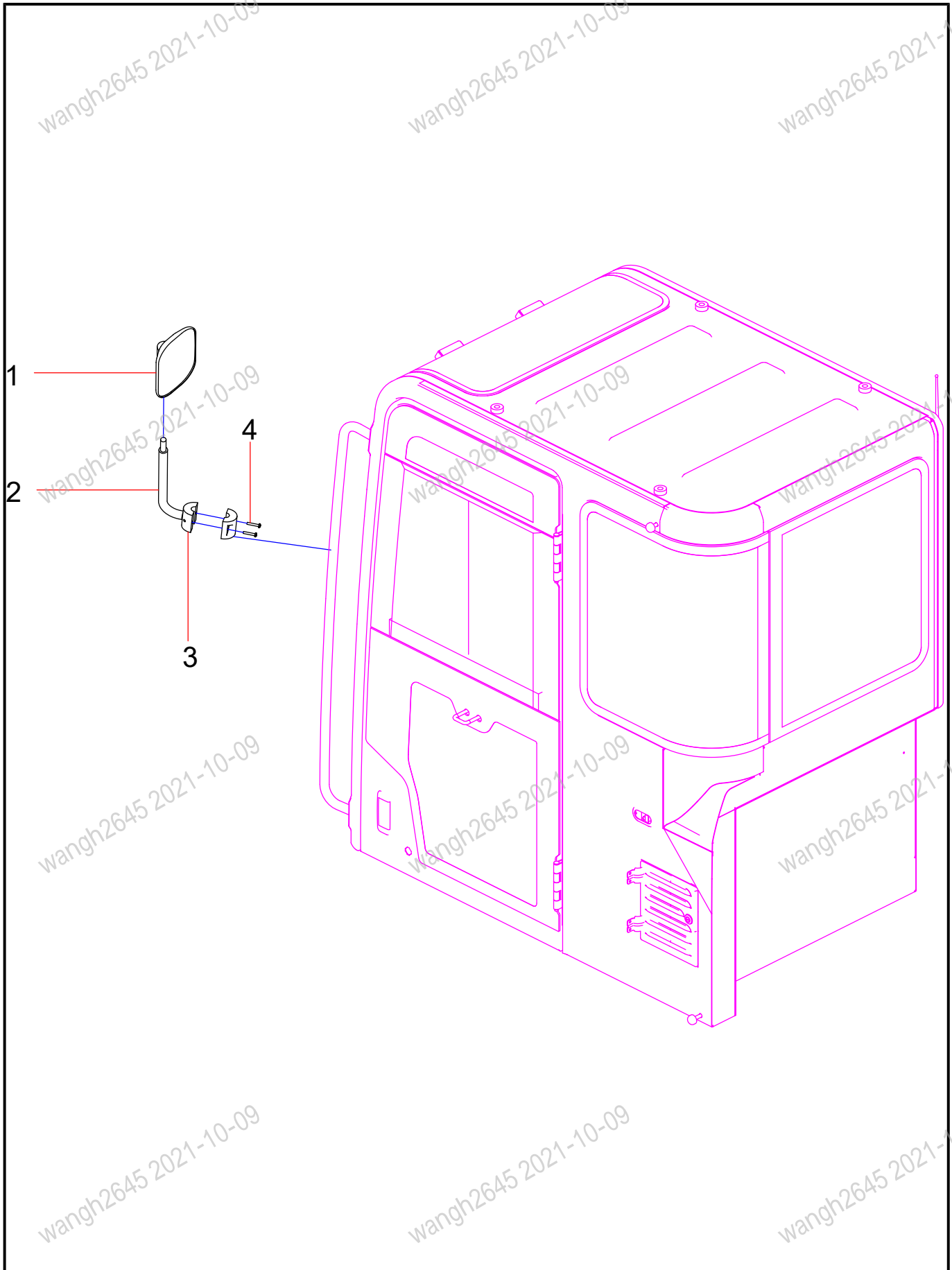


INDEX	PART NO.	DESCRIPTION	QTY	SEE PAGE
46	60248556	front defroster outlet	1	
47	60248565	inner plaque of front control box	1	
48	60248566	decoration plate for filter core	1	
49	60248567	right-back inner plaque	1	
50	60052626	Ashtray	1	
51	60248563	screen cover of front control box	1	
52	60248564	inner plaque of front control box	1	
53	60023703	Speaker	2	
54	60023704	Antenna	1	



INDEX	PART NO.	DESCRIPTION	QTY	SEE PAGE
55	60328544	new back lock	1	
56	60248570	left inner plaque	1	
57	60341344	Middle Column Handle	1	
58	60248555	Wall Lamp	1	
59	60328545	new back lock rubber cover	1	
60	60328543	handle plastic cover	1	
61	60328542	Back lock handle	1	

60166748 rearview

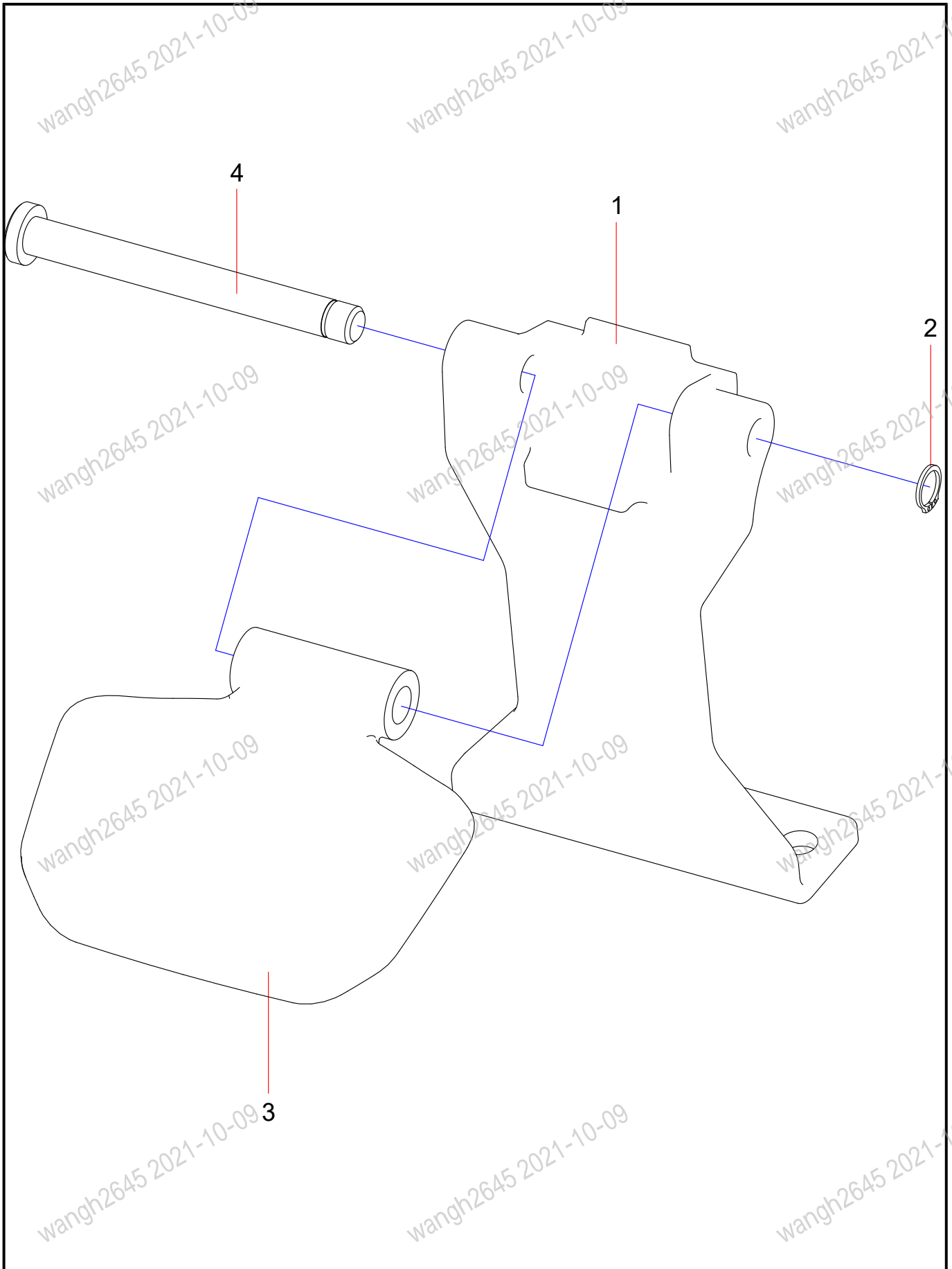


5-24 CAB

SY50C9Y5RU(GB)

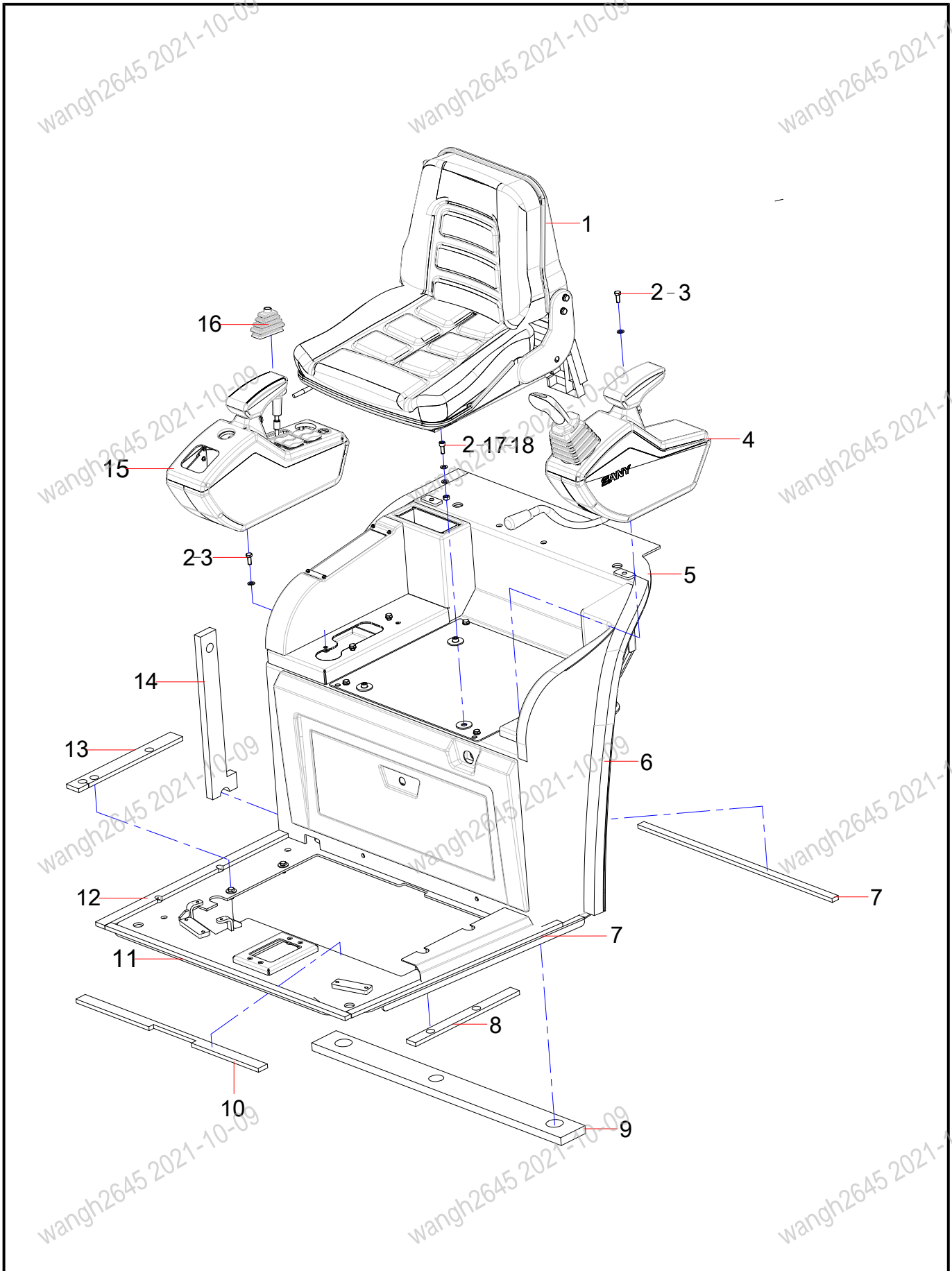
INDEX	PART NO.	DESCRIPTION	QTY	SEE PAGE
1	A229900001398	Rear-view Mirror ASSY	1	
2	60166738	Support of rearview mirror (2)	1	
3	60166737	Support of rearview mirror (1)	1	
4	A210204000181	Screw	2	

13603246 pendulum pedal assy



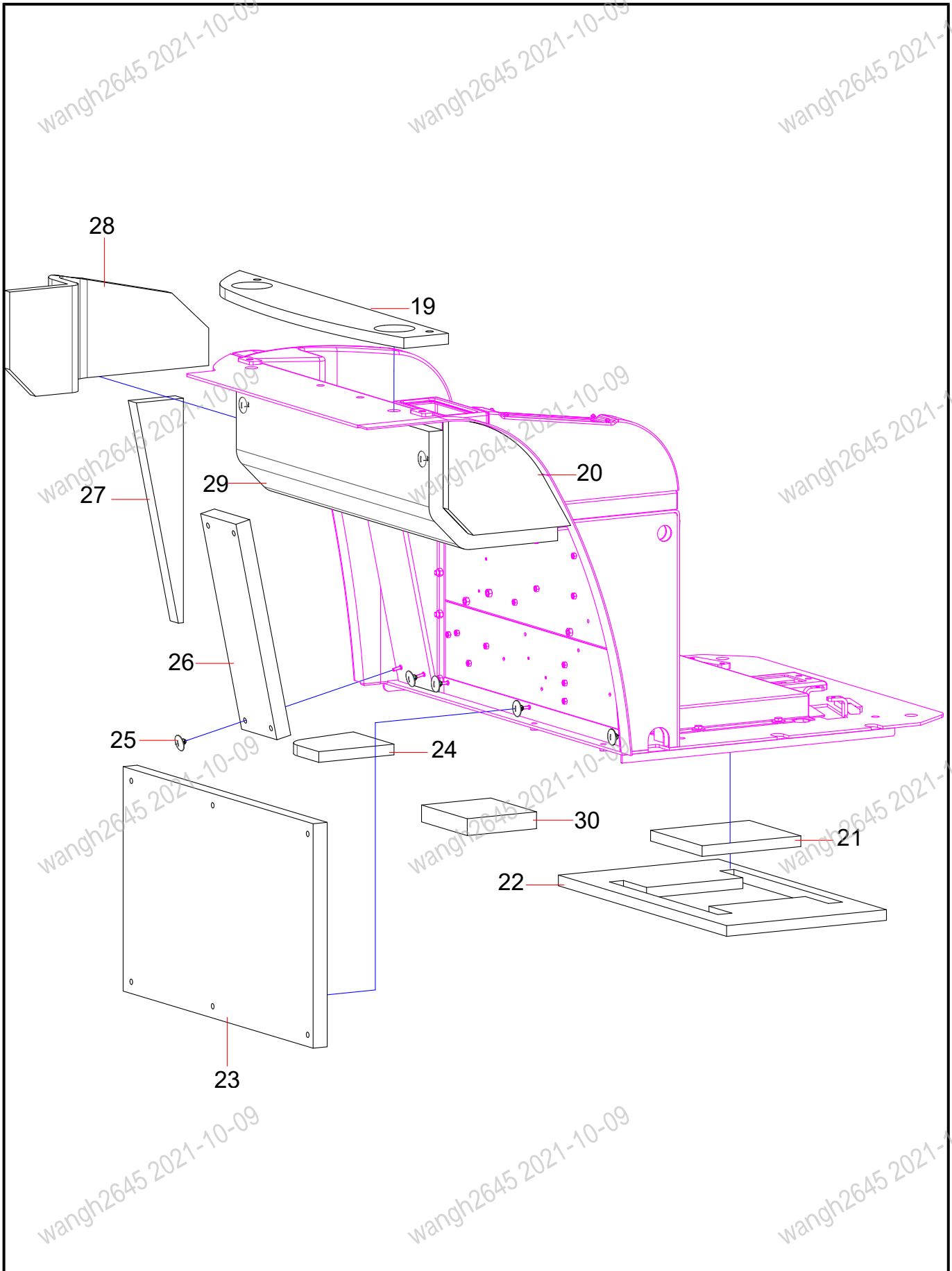
INDEX	PART NO.	DESCRIPTION	QTY	SEE PAGE
1	13845264	Installation Frame	1	
2	A210414000011	Retainer Ring	1	
3	13603244	Pedal	1	
4	13603245	Rotating Shaft	1	

seat and control assem (1/2)



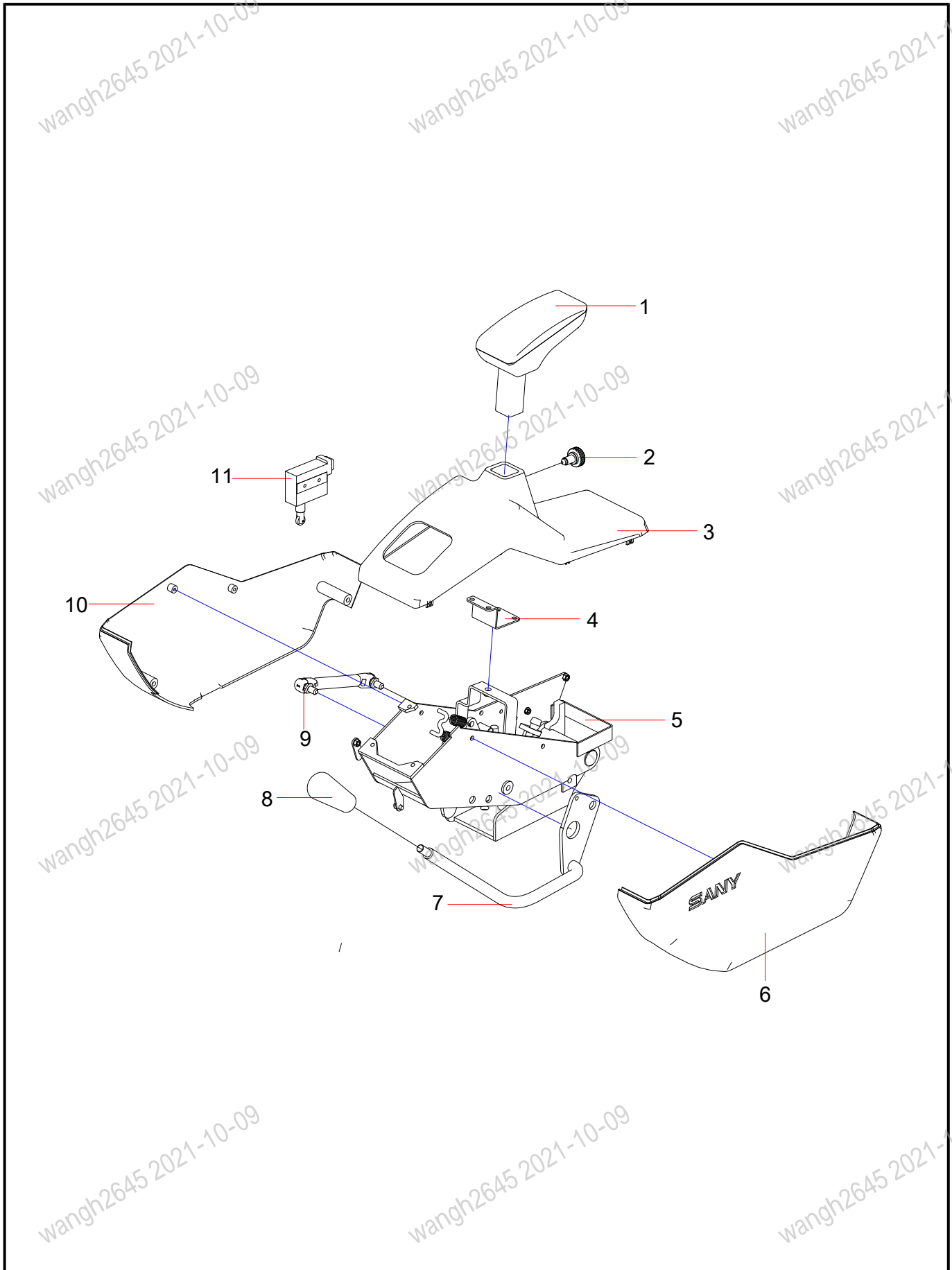
INDEX	PART NO.	DESCRIPTION	QTY	SEE PAGE
1	130903000041A	seat	1	
2	A210405000007	Washer	15	
3	A210111000089	Bolt	7	
4	60223376	Left armrest box assembly	1	5-32
5	14376618	seat base	1	5-34
6	14351881	Sealing Sponge	1	
7	14351885	sealing sponge	2	
8	14351883	sealing sponge	1	
9	14176244	sealing sponge	1	
10	14351884	sealing sponge	1	
11	13117643	BASSYe Plate Front Sponge	1	
12	14361609	sealing sponge	1	
13	14351882	sealing sponge	1	
14	14176243	sealing sponge	1	
15	60282632	right armrest boxes assembly	1	5-36
16	13618983	bulldozing shovel protective sleeve	1	
17	A210204000147	Screw	4	
18	A210307000012	Nut	4	

seat and control assem (2/2)



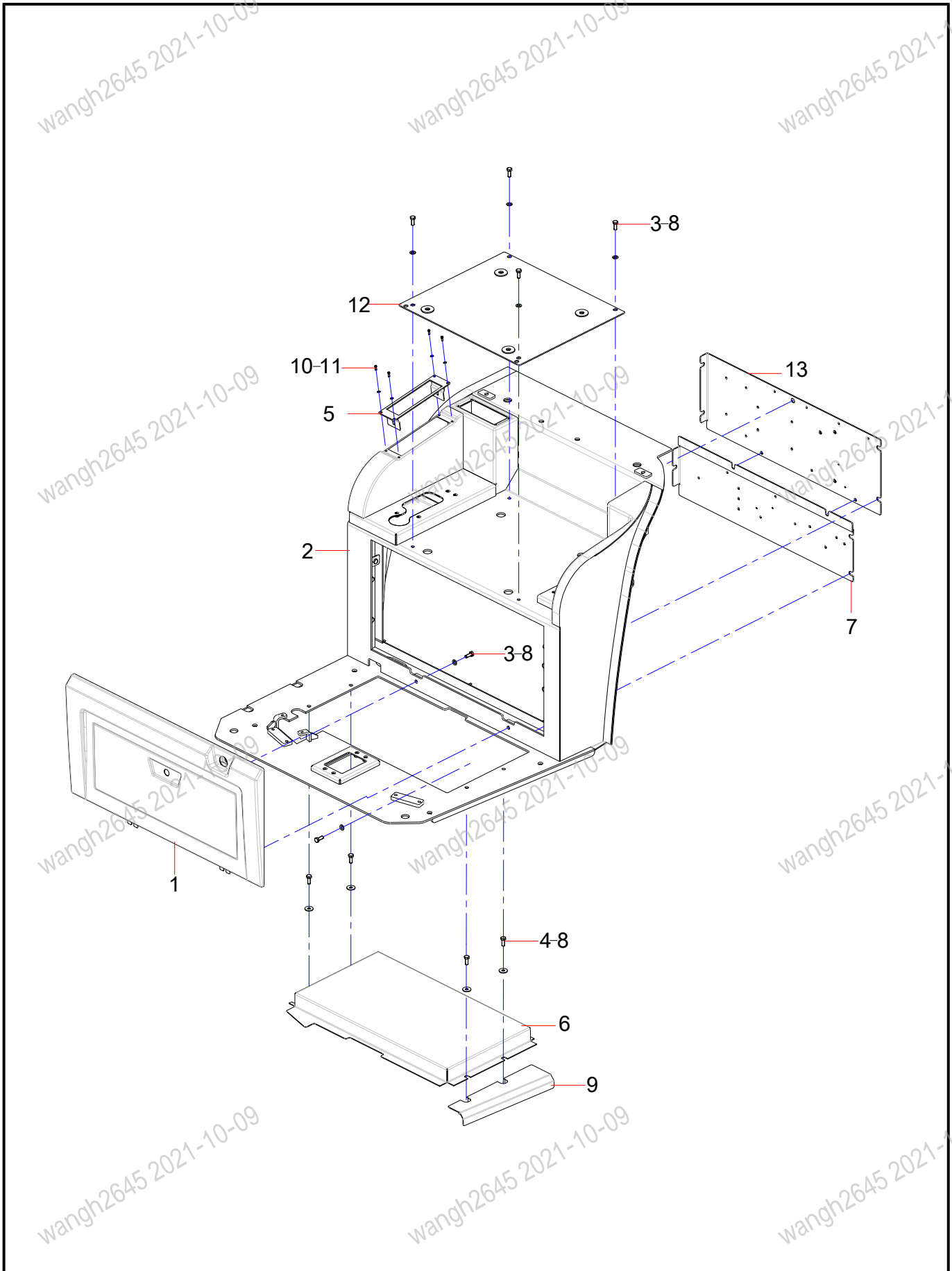
INDEX	PART NO.	DESCRIPTION	QTY	SEE PAGE
19	14358221	thermal insulation sponge	1	
20	14358220	thermal insulation sponge	1	
21	14361611	sealing sponge	1	
22	14361610	sealing sponge	1	
23	14175636	thermal insulation cotton	1	
24	14358222	thermal insulation sponge	1	
25	11961759	Cramp	16	
26	14175637	thermal insulation sponge	1	
27	14175640	thermal insulation cotton	2	
28	14358223	thermal insulation sponge	1	
29	14175638	thermal insulation sponge	1	
30	14403666	thermal insulation sponge	1	

60223376 Left armrest box assembly

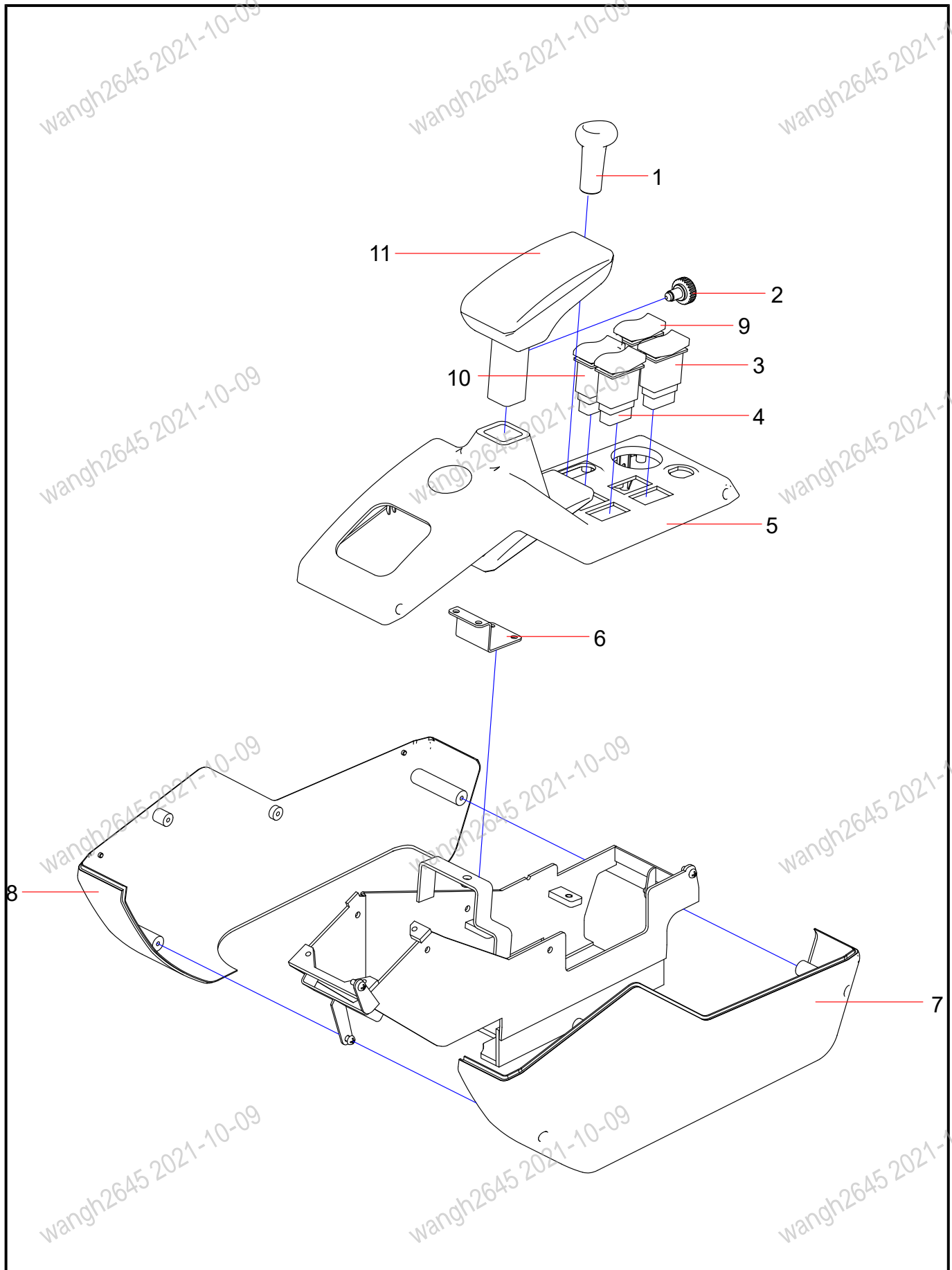


INDEX	PART NO.	DESCRIPTION	QTY	SEE PAGE
1	60259927	Hand Rail	1	
2	60259923	Hand Rail Limit	1	
3	60259919	Left Armrest Box Upper Cover	1	
4	60259920	Upper Cover Anchor	1	
5	60292211	Left Armrest Box Framework	1	
6	60259922	Left Armrest Box Left Shell	1	
7	60259925	Handle Lever	1	
8	60259924	Handle	1	
9	60309855	Gas Spring	1	
10	60259921	Left Armrest Box Right Shell	1	
11	60250079	Journey Switch	1	

14376618 seat base

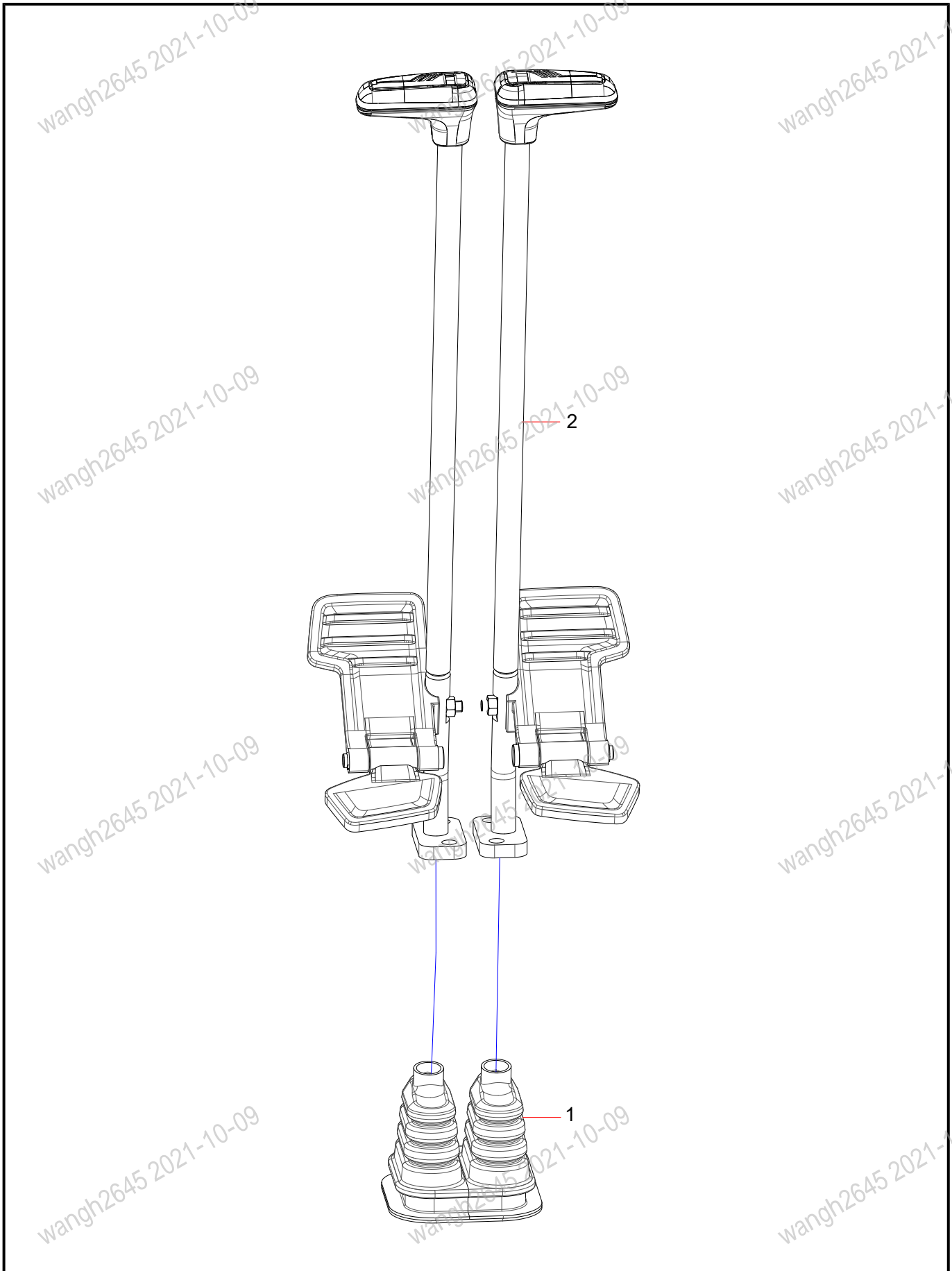


INDEX	PART NO.	DESCRIPTION	QTY	SEE PAGE
1	13116919	seat front cover plate assem.	1	
2	14376577	assembly weldment chassis	1	
3	24000633	Washer	16	
4	60060565	Washer	4	
5	13116452	radio installation plate	1	
6	14376579	pedal	1	
7	13363061	lower sealing board	1	
8	A210111000343	Bolt	20	
9	14351970	left footplate	1	
10	A210210000030	Screw	4	
11	A210405000004	Washer	4	
12	13116447	seat installation plate	1	
13	13722441	middle sealing board	1	



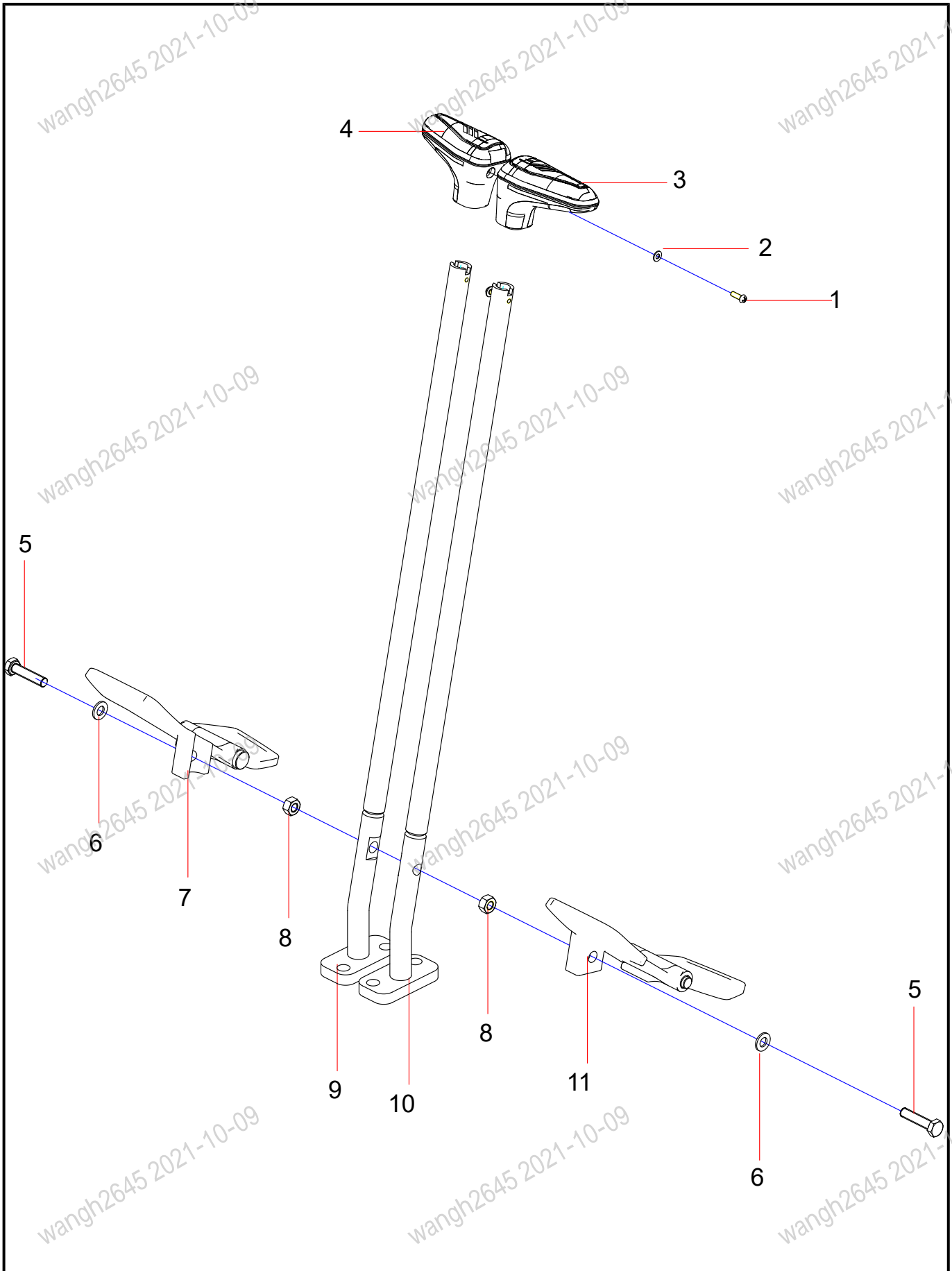
INDEX	PART NO.	DESCRIPTION	QTY	SEE PAGE
1	60259931	bulldozing shovel handle	1	
2	60259923	Hand Rail Limit	1	
3	60306446	Rocker Switch	1	
4	60306447	Rocker Switch	1	
5	60259936	Right Armrest Box Upper Cover	1	
6	60259920	Upper Cover Anchor	1	
7	60259930	Right Armrest Box Left Shell	1	
8	60259937	Right Armrest Box Right Shell	1	
9	60259936	Right Armrest Box Upper Cover	1	
10	60306443	Rocker Switch	1	
11	60259927	Hand Rail	1	

running control mechanism assem



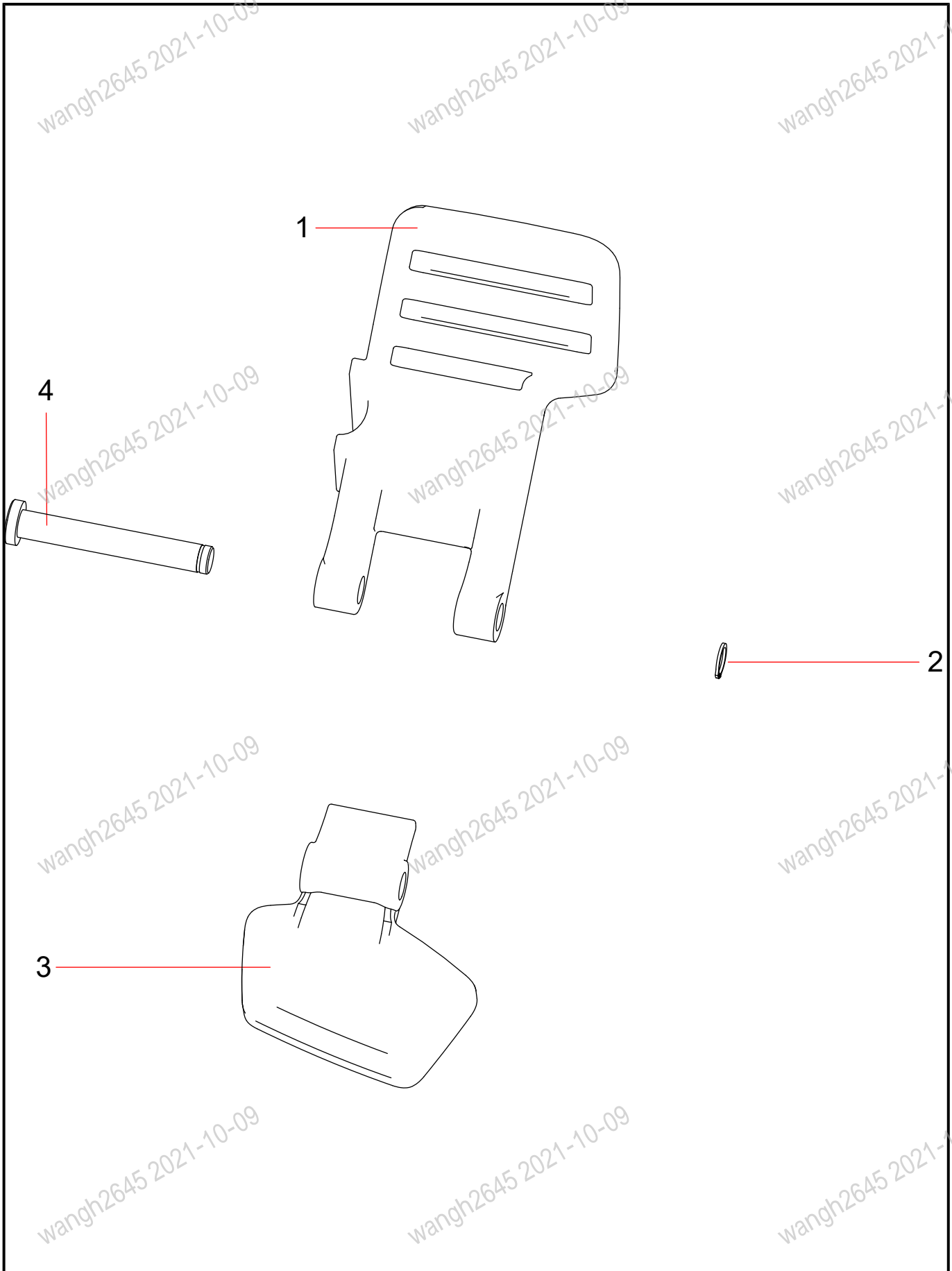
INDEX	PART NO.	DESCRIPTION	QTY	SEE PAGE
1	13116120	Rubber Protective Sleeve Component	1	
2		running control mechanism	1	5-40

running control mechanism



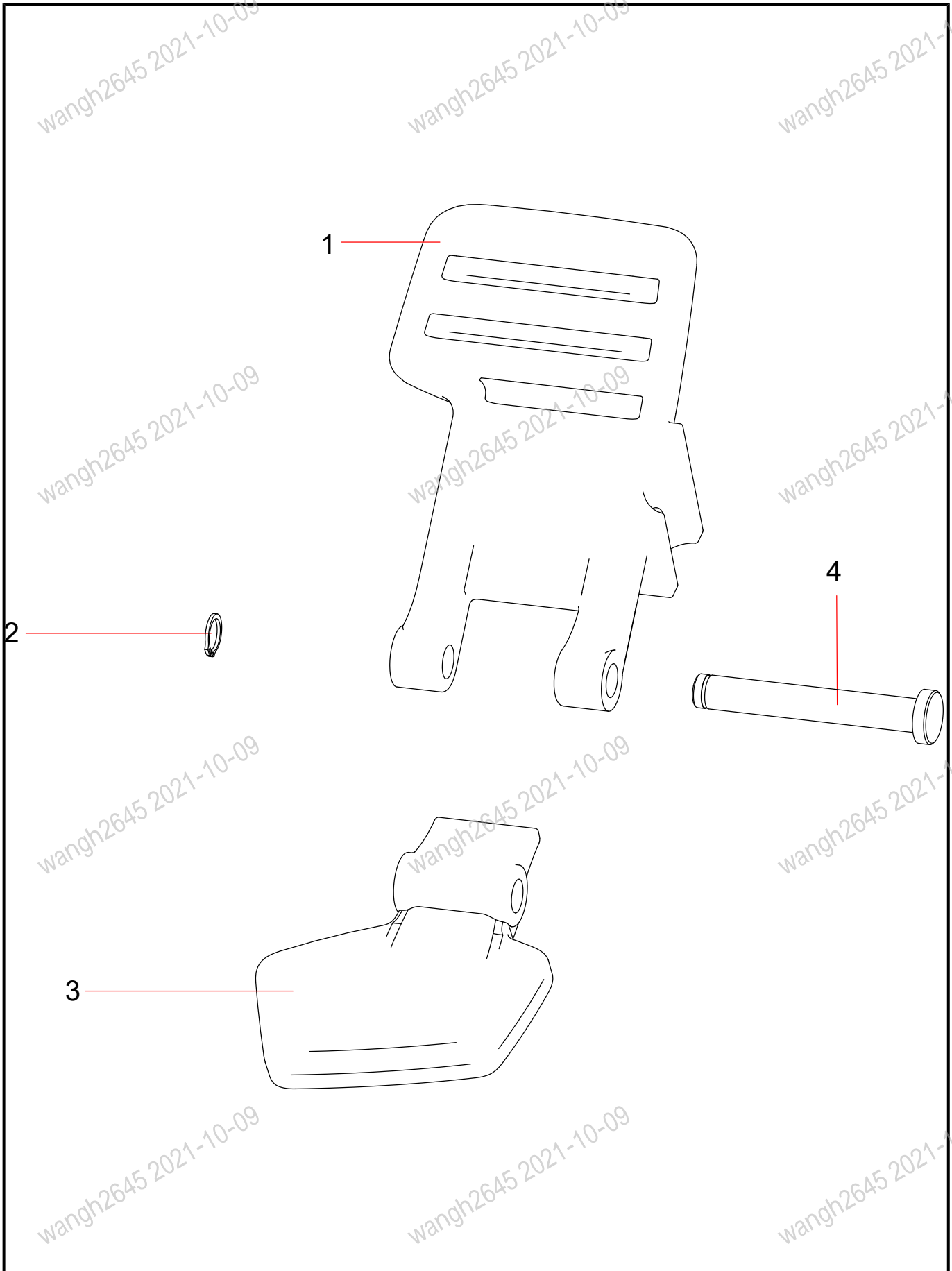
INDEX	PART NO.	DESCRIPTION	QTY	SEE PAGE
1	A210210000030	Screw	2	
2	60060562	Washer	2	
3	12688927	Left Handle	1	
4	12691132	Right Handle	1	
5	A210111000092	Bolt	2	
6	24000633	Washer	2	
7	13603240	pedal assy	1	5-42
8	A210307000012	Nut	2	
9	14219919	Right Control Lever	1	
10	14219752	Control Lever	1	
11	13603236	pedal assy	1	5-44

13603240 pedal assy

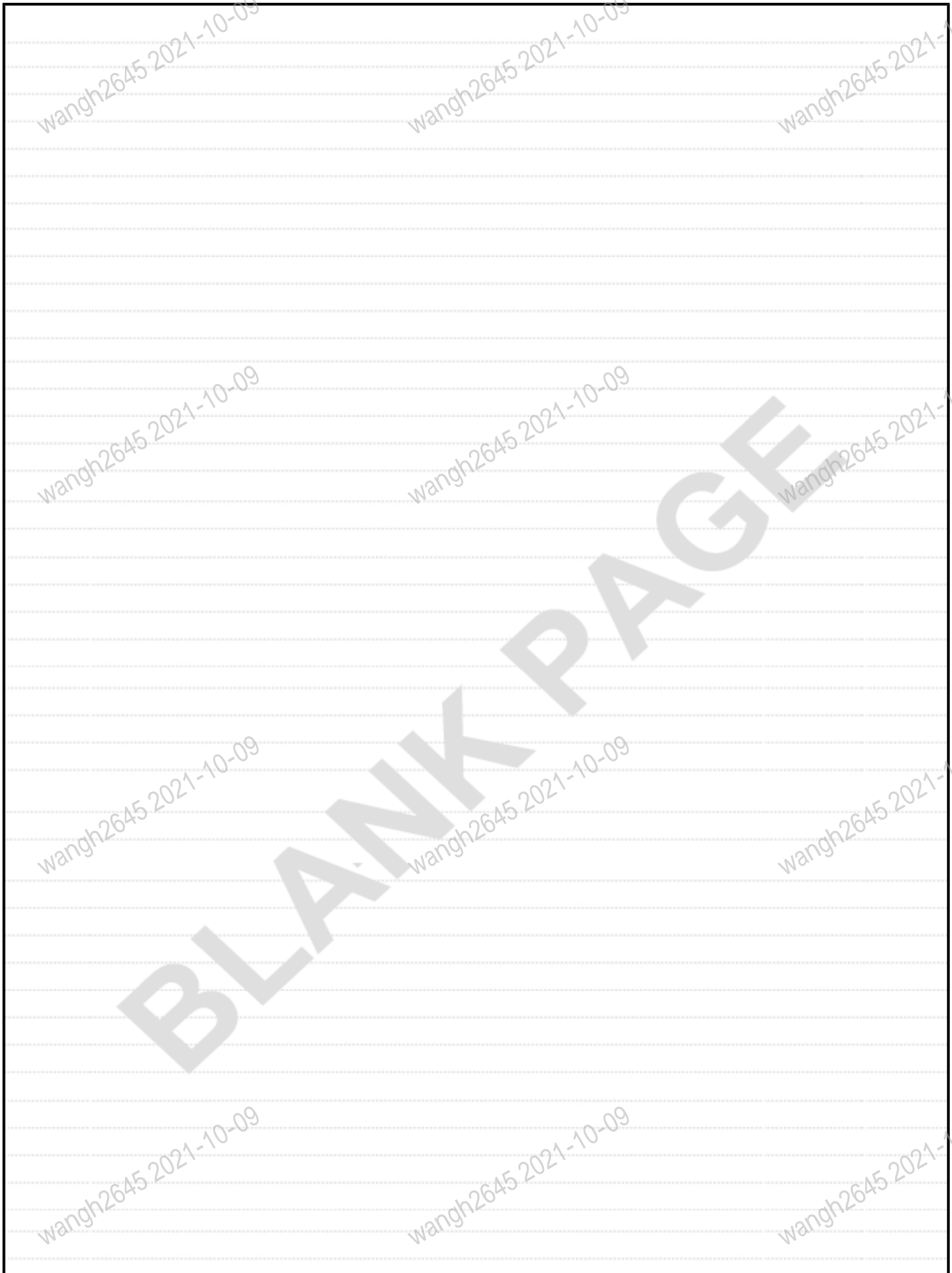


INDEX	PART NO.	DESCRIPTION	QTY	SEE PAGE
1	13603237	Front Pedal	1	
2	A210414000011	Retainer Ring	1	
3	13603238	Back Pedal	1	
4	13603239	Rotating Shaft	1	

13603236 pedal assy

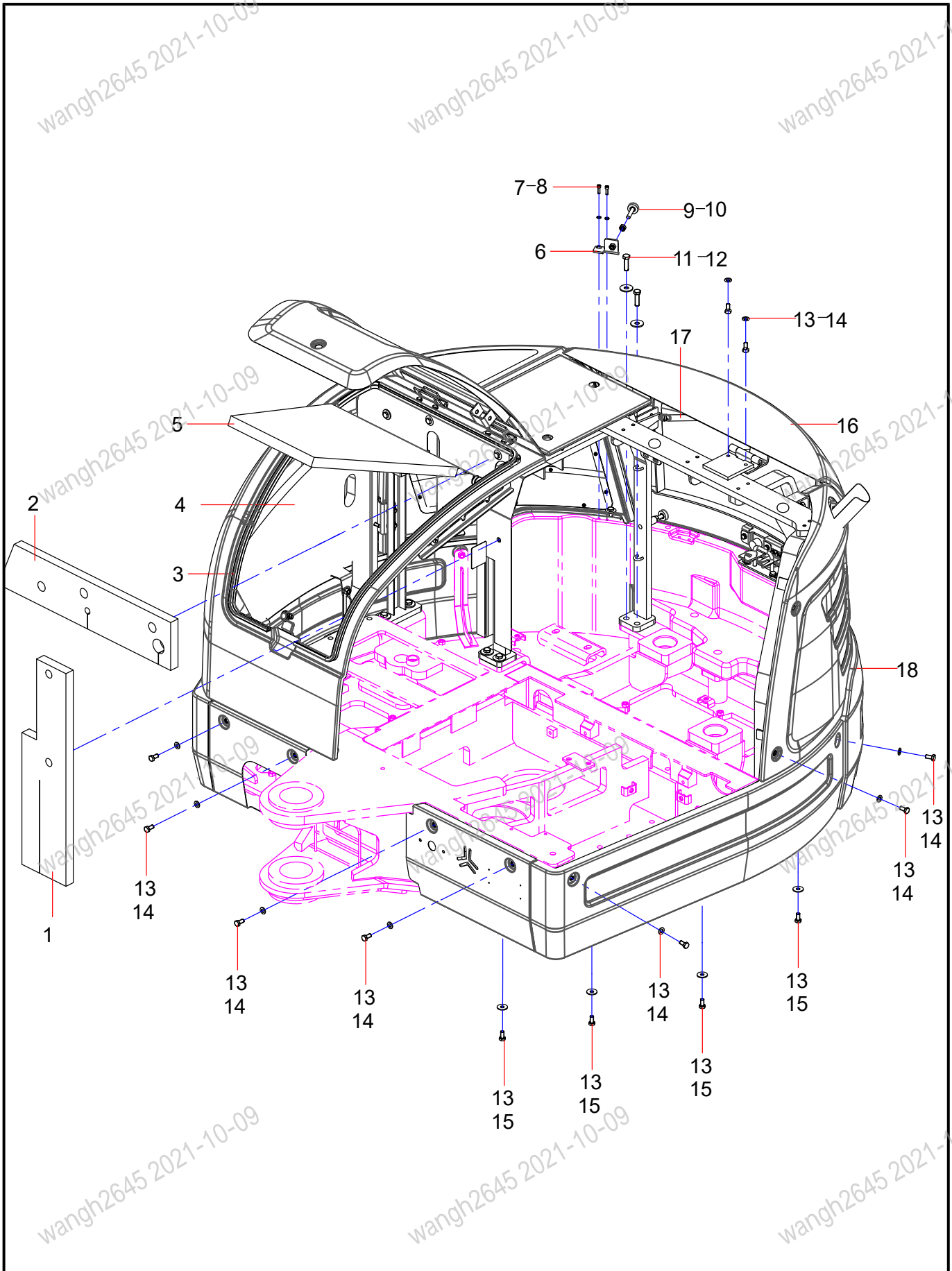


INDEX	PART NO.	DESCRIPTION	QTY	SEE PAGE
1	13603234	Front Pedal	1	
2	A210414000011	Retainer Ring	1	
3	13603235	Back Pedal	1	
4	13603239	Rotating Shaft	1	

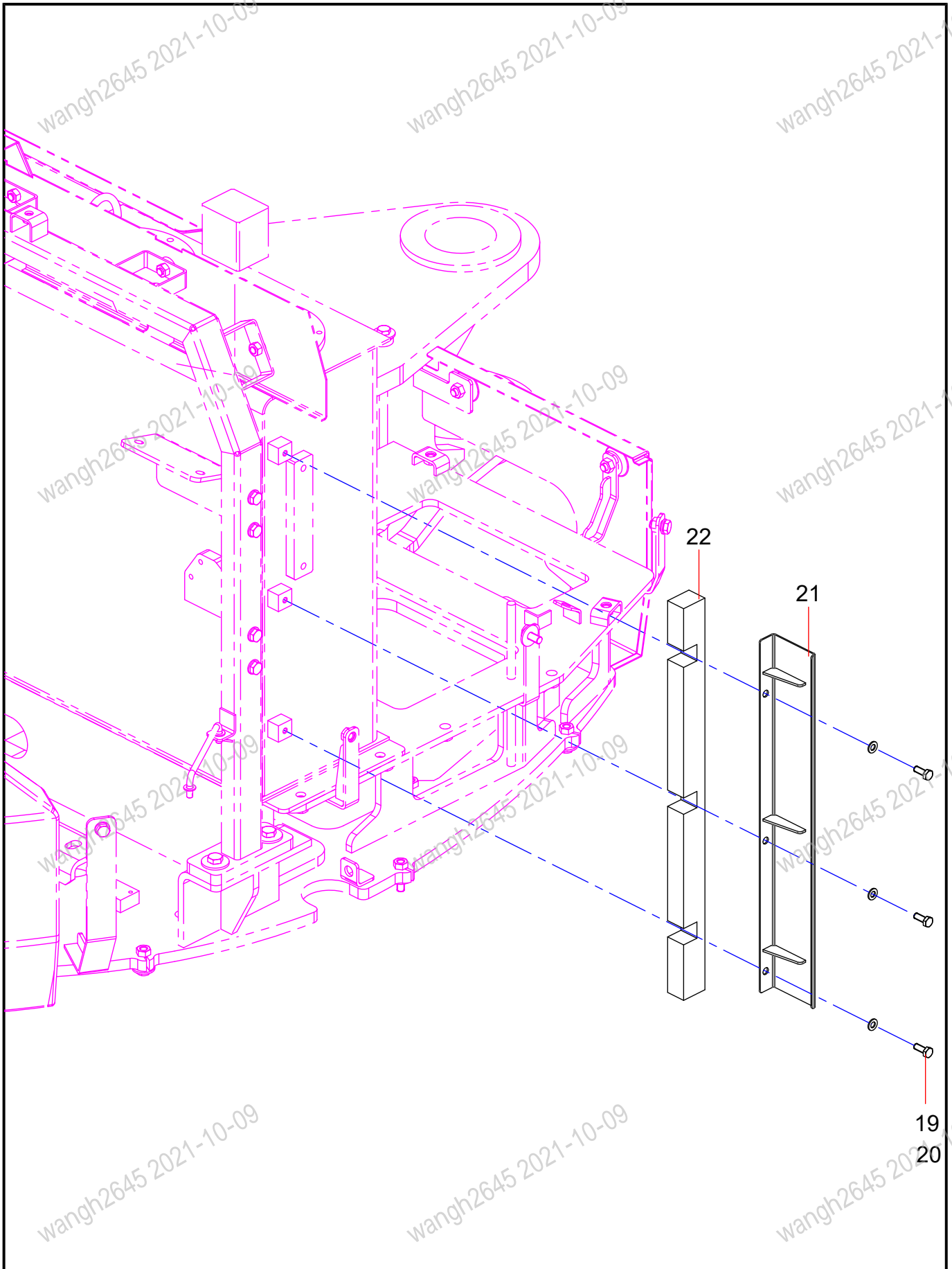


Group 6

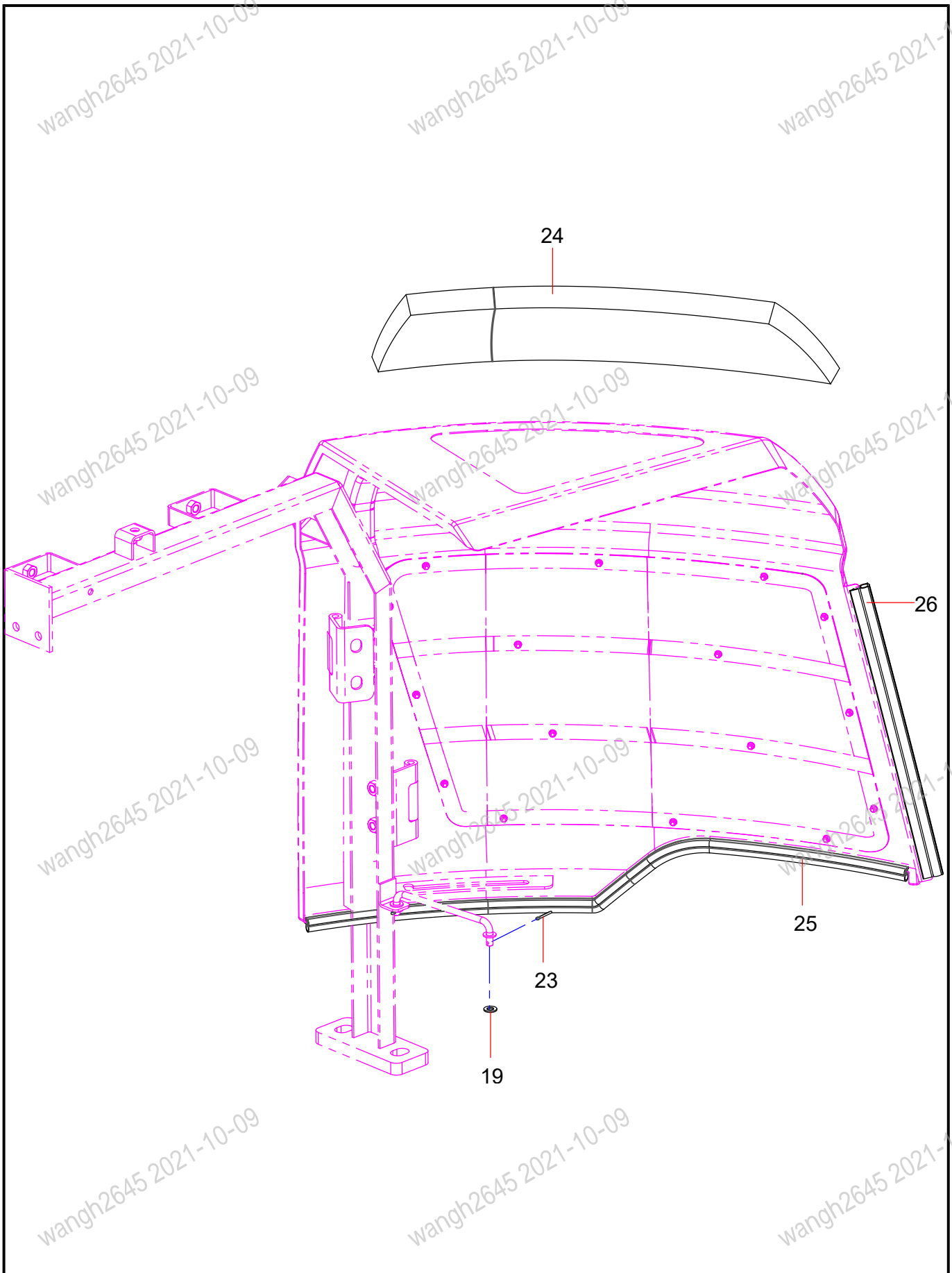
Cover



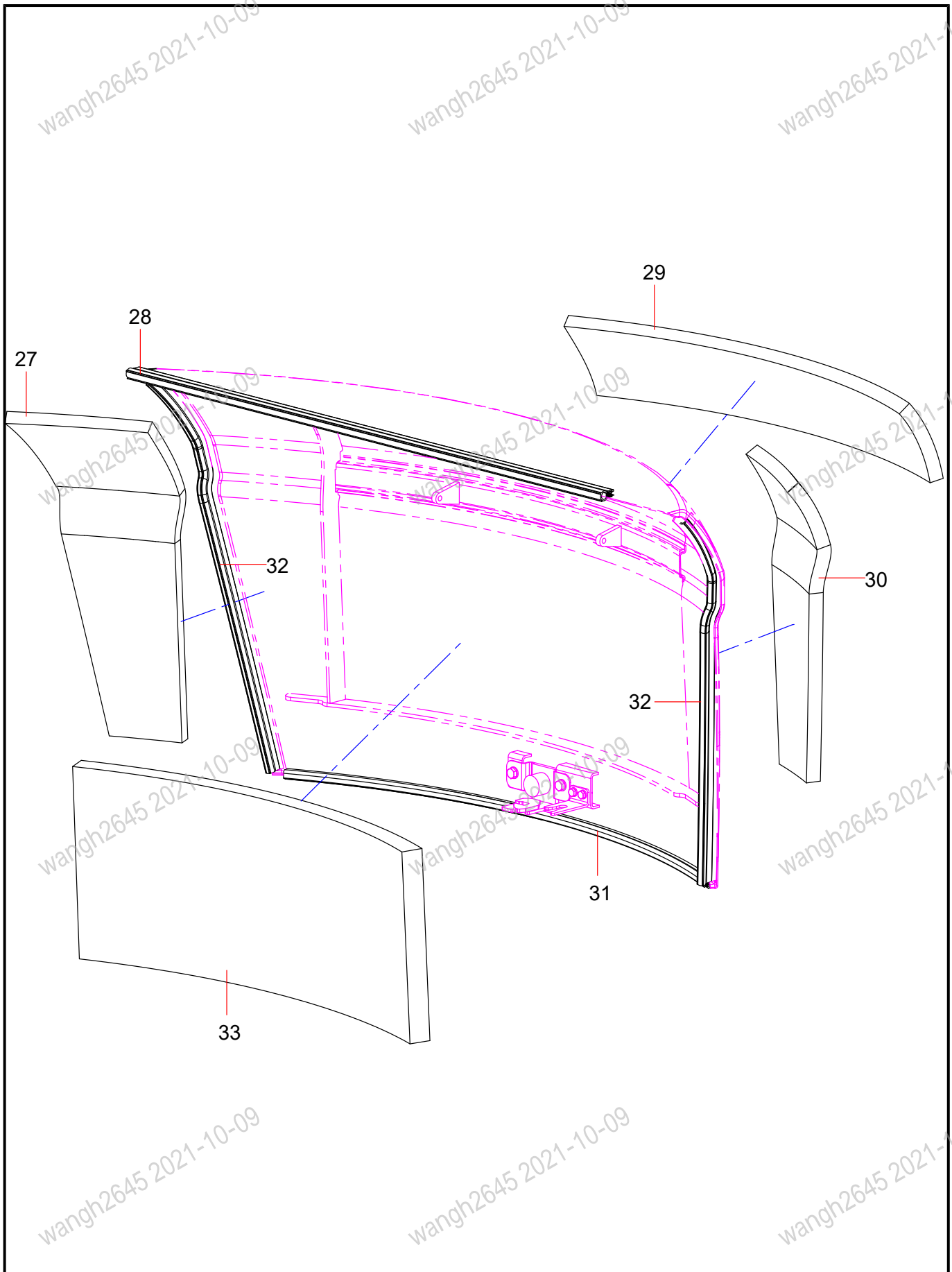
INDEX	PART NO.	DESCRIPTION	QTY	SEE PAGE
1	14504278	plate sponge	1	
2	14504279	plate sponge	1	
3	14444606	front hood beading	1	
4	14362393	front engine hood sponge	1	
5	14362392	front engine hood sponge	1	
6	14530060	support frame	1	
7	24000632	Washer	2	
8	A210204000131	Screw	2	
9	A210307000036	Nut	1	
10	A810502019056	Set Screw	1	
11	60060548	Washer	10	
12	A210111000204	Bolt	10	
13	A210111000012	Bolt	36	
14	24000637	Washer	22	
15	60060546	Washer	14	
16	13718739	Covering parts assembly	1	6-10
17	60078542	Rear hood gas spring	2	
18	14382489	left door rubber strip	1	



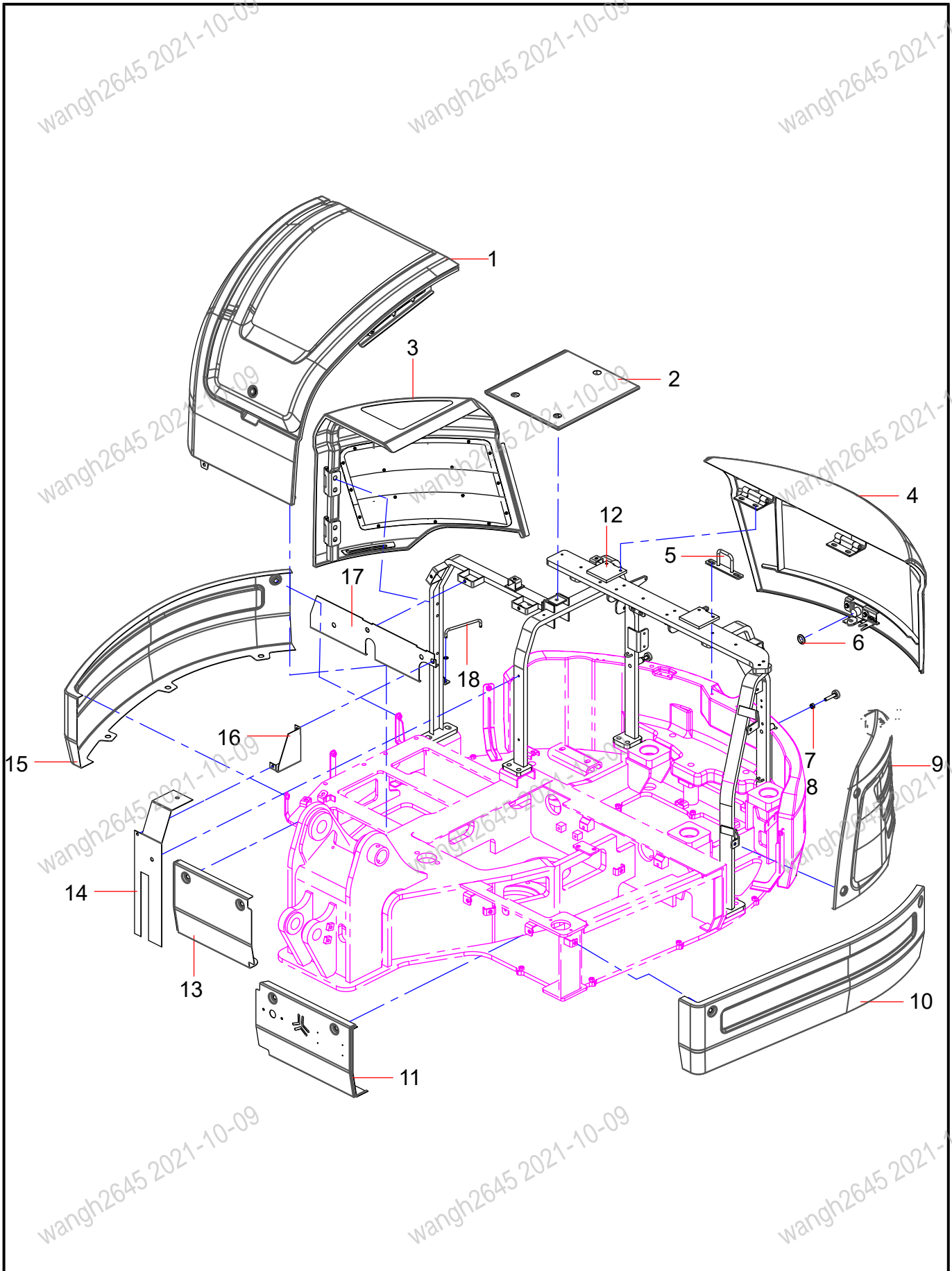
INDEX	PART NO.	DESCRIPTION	QTY	SEE PAGE
19	24000633	Washer	5	
20	A210111000343	Bolt	3	
21	SSY004589521	oil tank sealing baffle assem	1	
22	SSY004660495	plate sponge	1	



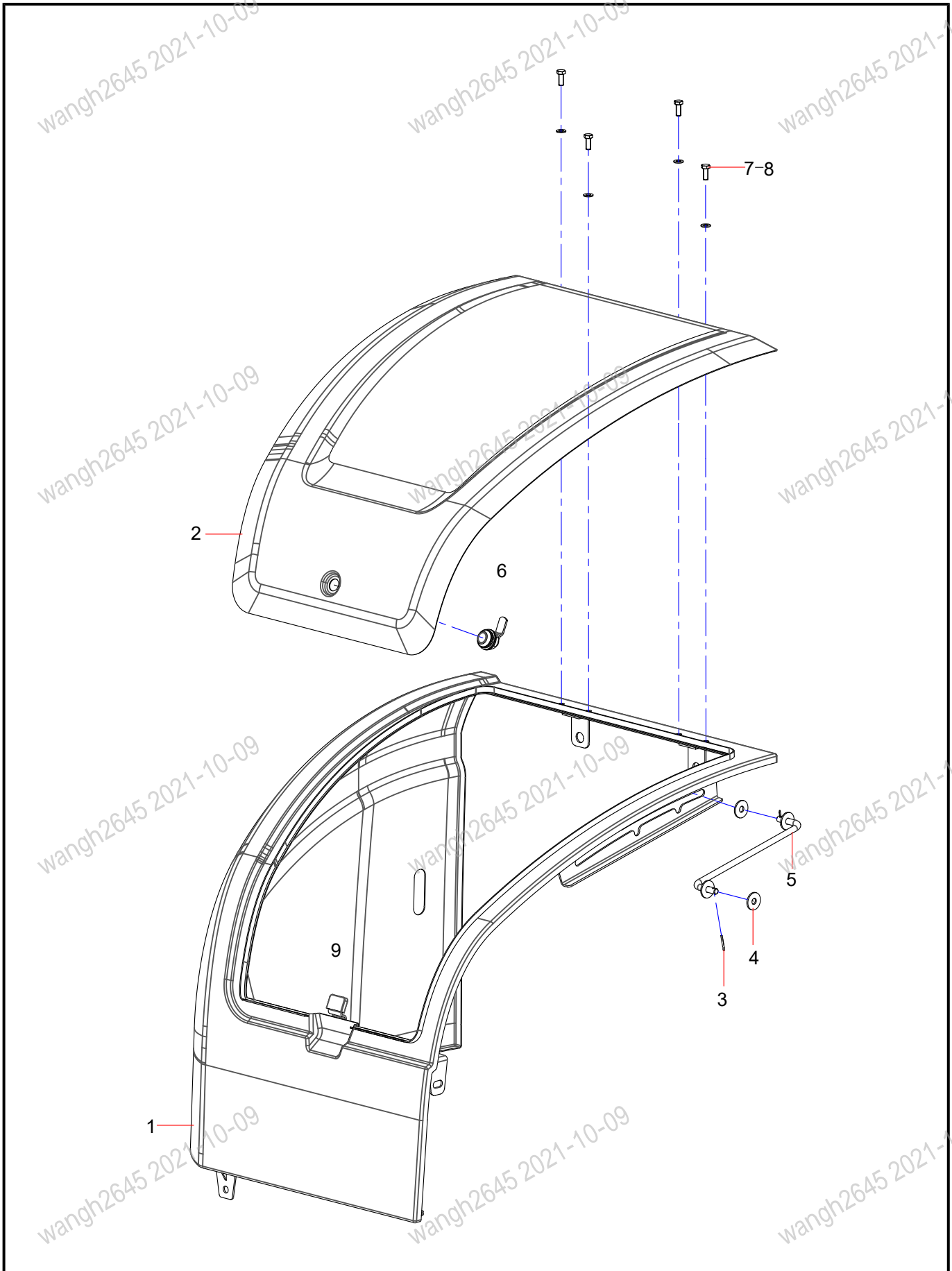
INDEX	PART NO.	DESCRIPTION	QTY	SEE PAGE
19	24000633	Washer	5	
23	A210491000007	Pin	2	
24	14362394	right engine hood sponge	1	
25	14382490	right door rubber strip	1	
26	14426164	right door rubber strip	1	



INDEX	PART NO.	DESCRIPTION	QTY	SEE PAGE
27	14504276	right sponge of rear hood	1	
28	14444607	rear hood beading	1	
29	14362391	rear hood sponge	1	
30	14504277	left sponge of rear hood	1	
31	14382488	rear hood strip	1	
32	13088476	right rubber strip	2	
33	14362395	rear hood sponge	1	

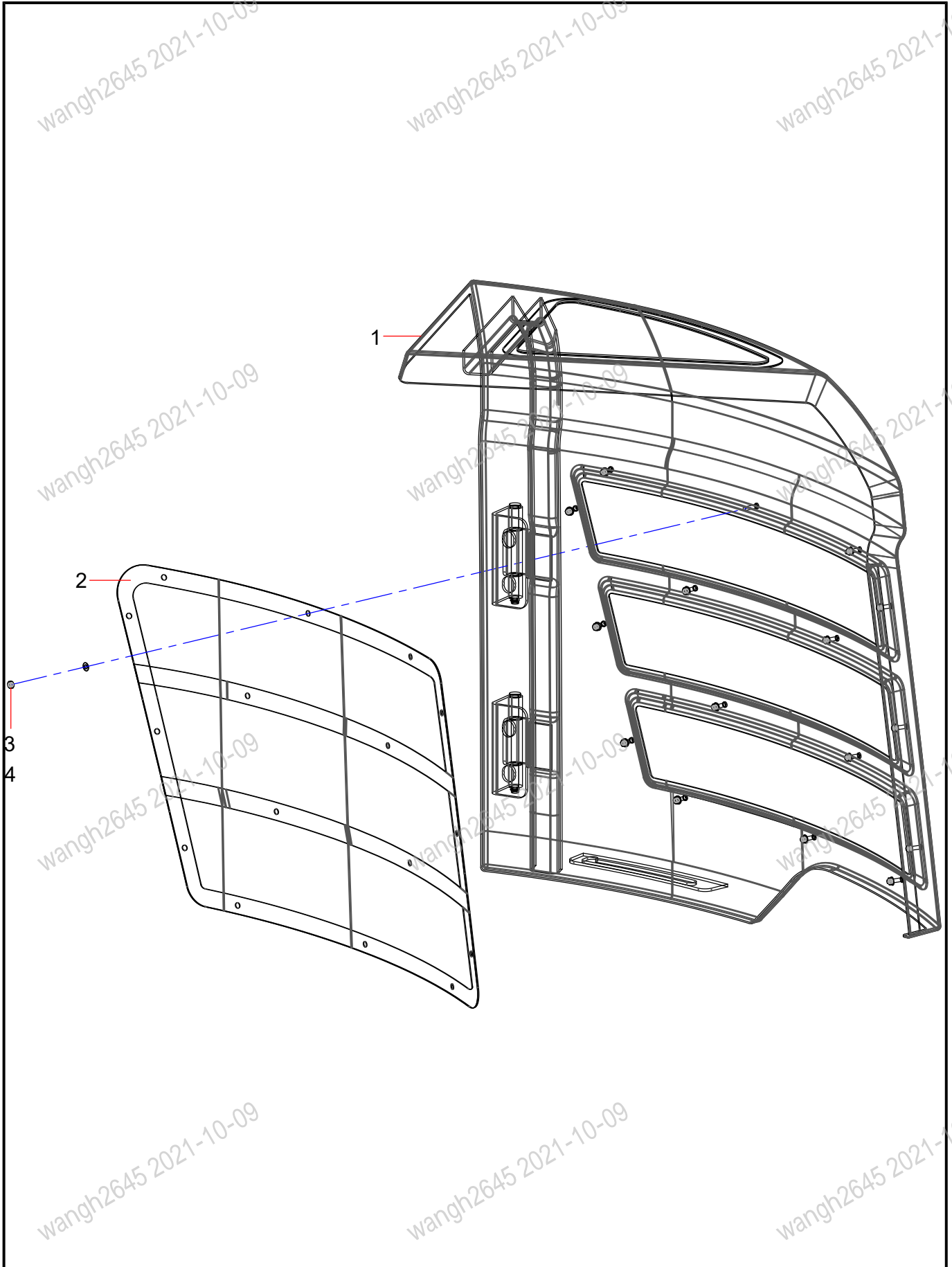


INDEX	PART NO.	DESCRIPTION	QTY	SEE PAGE
1	14507304	Front engine hood	1	6-12
2	13266135	Upper cover plate component	1	
3	14510112	Right door component	1	6-14
4	14503476	Assembly of rear hood	1	6-16
5	14139073	lock	1	
6	13328071	Lock Sleeve	1	
7	A210307000017	Nut	2	
8	A810502019056	Set Screw	2	
9	14377646	Left door component	1	6-20
10	13265556	Left side beam	1	
11	13718593	Left front side beam	1	
12	13717638	Support assembly	1	6-22
13	13718597	Right front side beam	1	
14	13908671	clapboard	1	
15	13721079	Right side beam	1	
16	13908672	clapboard	1	
17	14503842	clapboard	1	
18	13088544	limit wind hook	1	

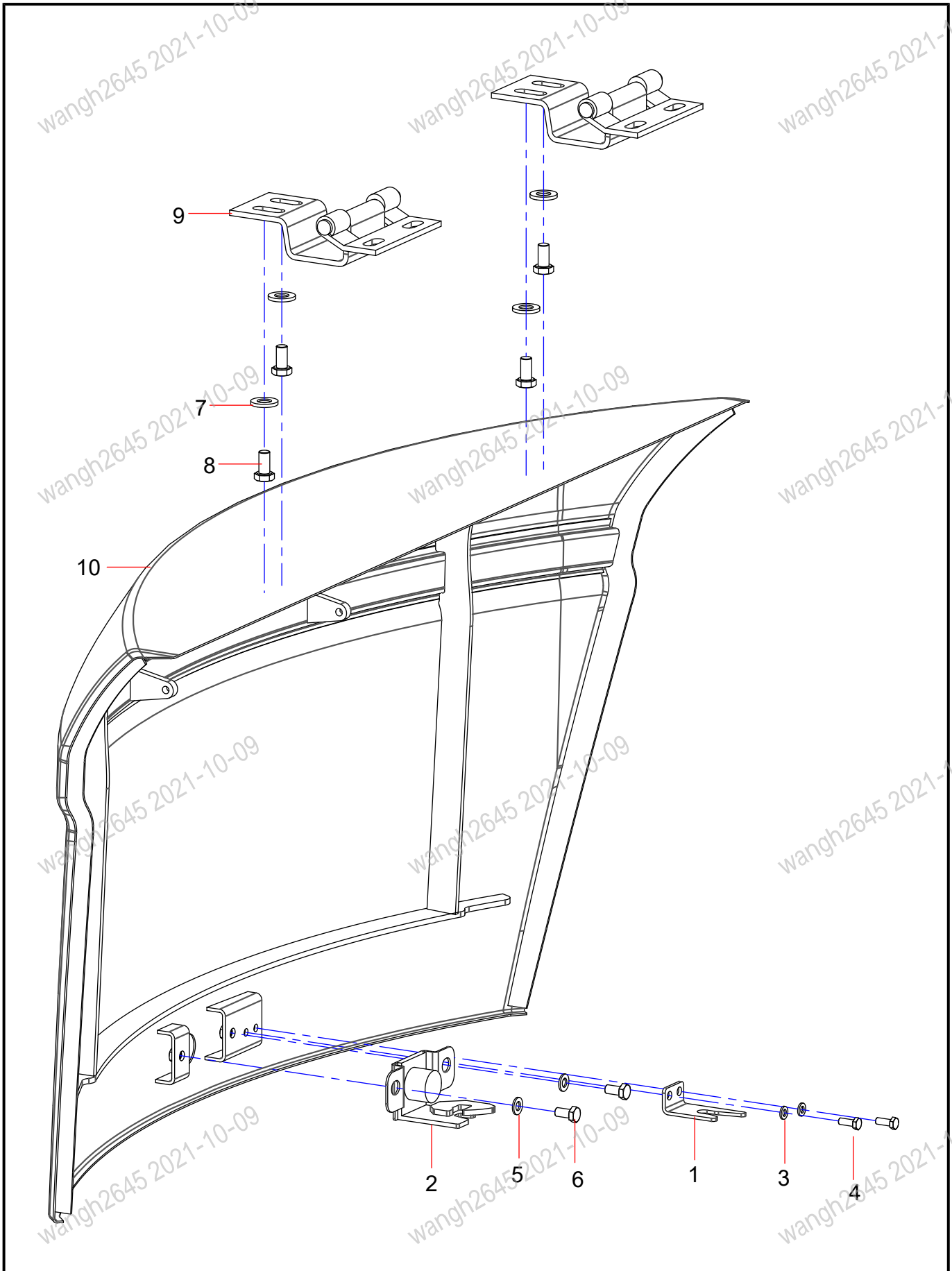


INDEX	PART NO.	DESCRIPTION	QTY	SEE PAGE
1	14513606	Front engine hood	1	
2	13266186	Front engine hood cover	1	
3	A210491000007	Pin	2	
4	24000633	Washer	4	
5	13266201	Wind hook	1	
6	A222200000093	Door lock	1	
7	60060546	Washer	2	
8	A210111000343	Bolt	4	
9	13088506	rubber sleeve	1	

14510112 Right door component

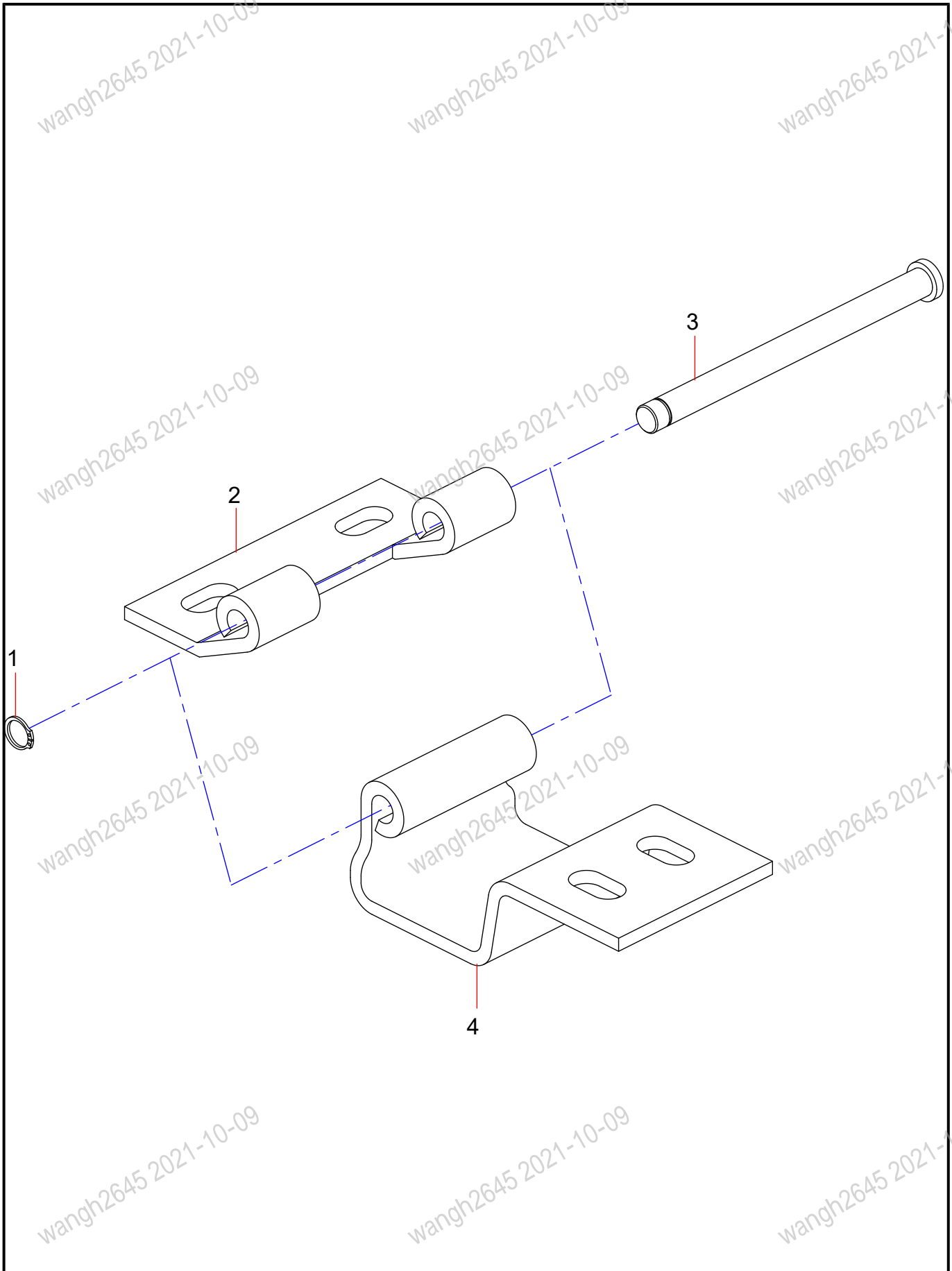


INDEX	PART NO.	DESCRIPTION	QTY	SEE PAGE
1	13265694	Right door welding part	1	
2	13265603	Right door steel lathing	1	
3	A210307000014	Nut	16	
4	A210405000004	Washer	16	



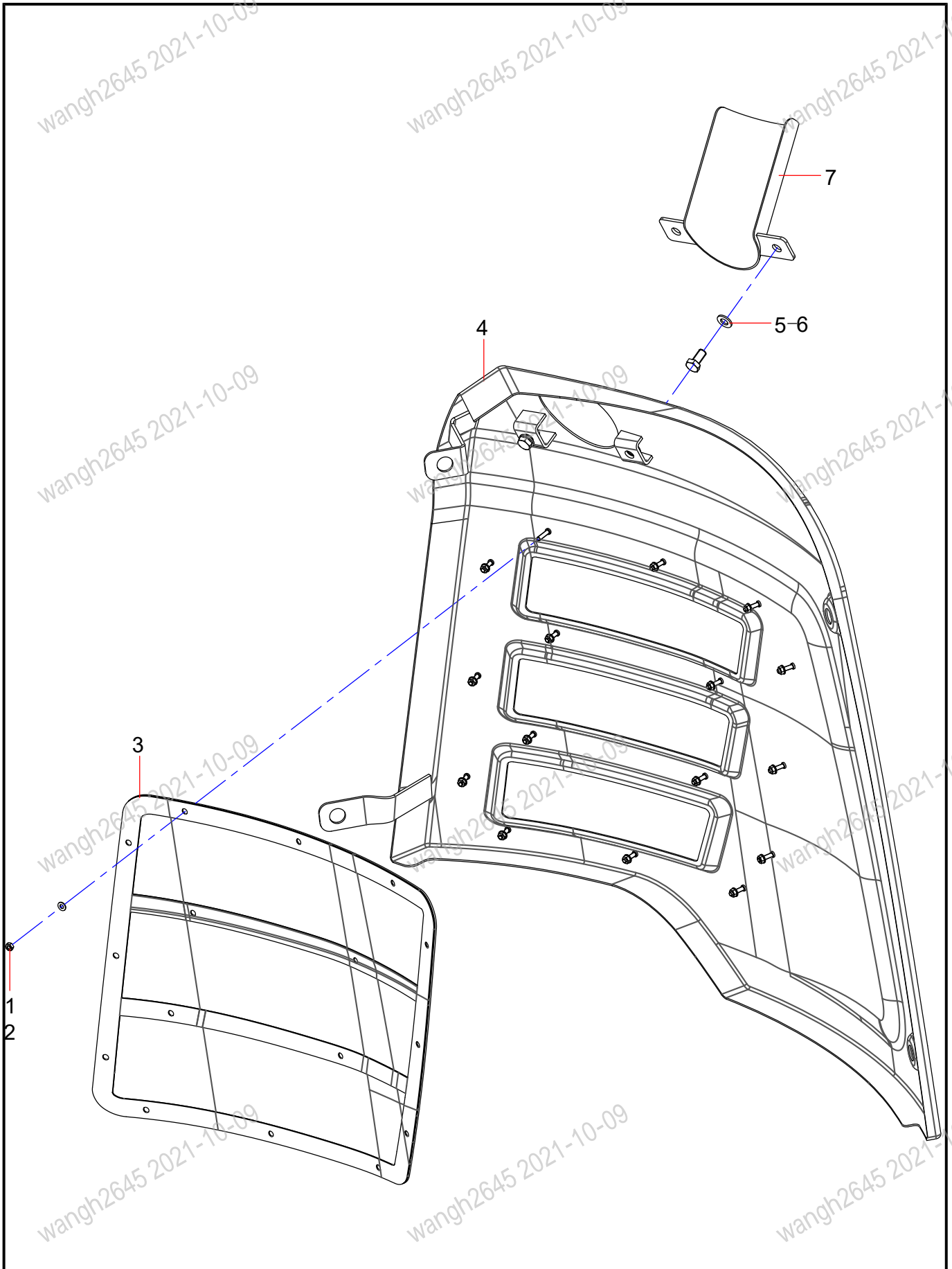
INDEX	PART NO.	DESCRIPTION	QTY	SEE PAGE
1	13088477	limit mounting plate	1	
2	60225215	Bonnet Lock	1	
3	24000633	Washer	2	
4	A210111000079	Bolt	2	
5	24000632	Washer	2	
6	A210111000342	Bolt	2	
7	A210491000120	Washer	4	
8	A210111000012	Bolt	4	
9	14503483	hinge of rear hood	2	6-18
10	14503478	Rear hood weldment	1	

14503483 hinge of rear hood



INDEX	PART NO.	DESCRIPTION	QTY	SEE PAGE
1	A210414000011	Retainer Ring	1	
2	14503481	shaft sleeve	1	
3	13908558	shaft	1	
4	14503482	shaft sleeve	1	

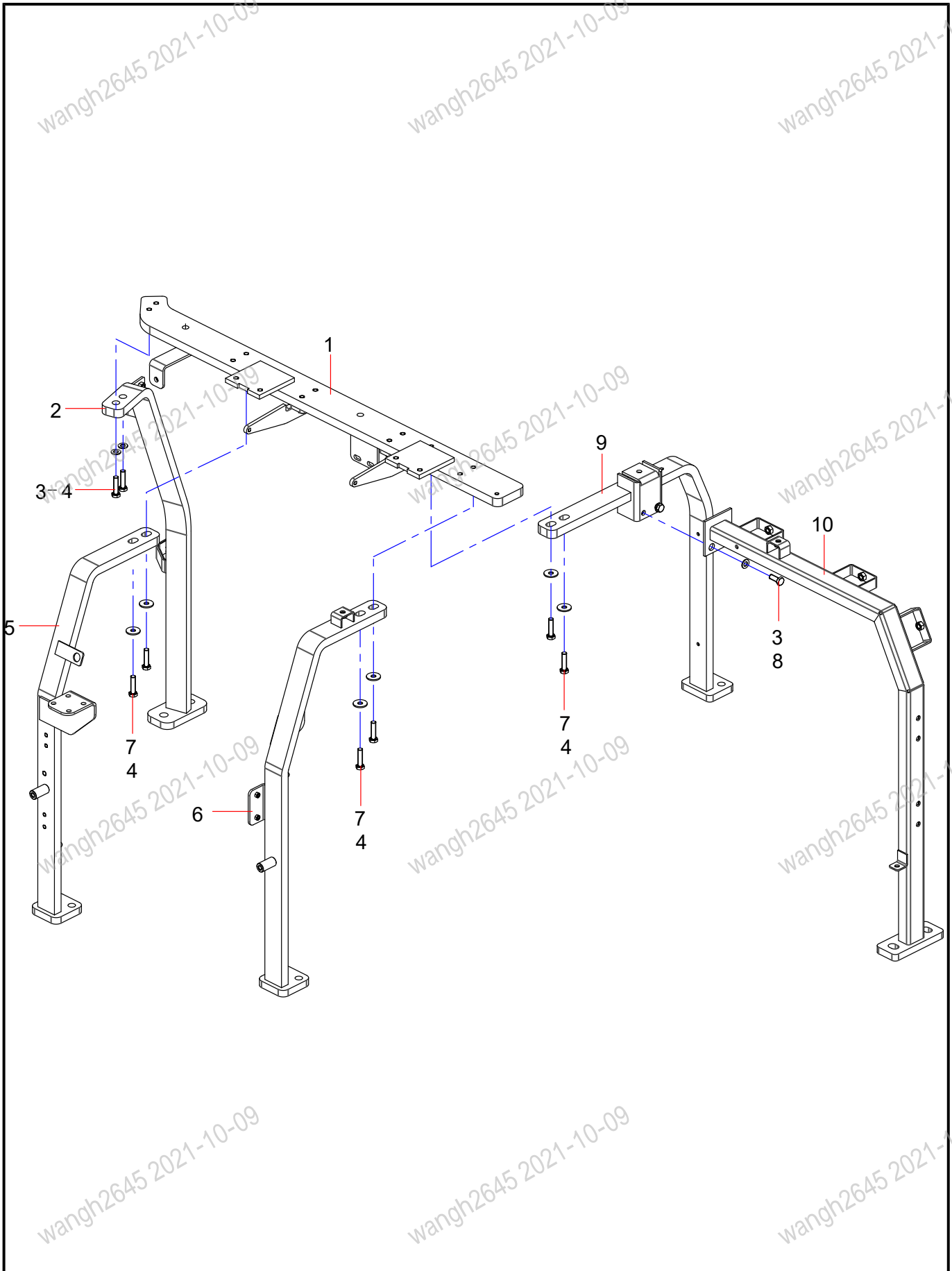
14377646 Left door component



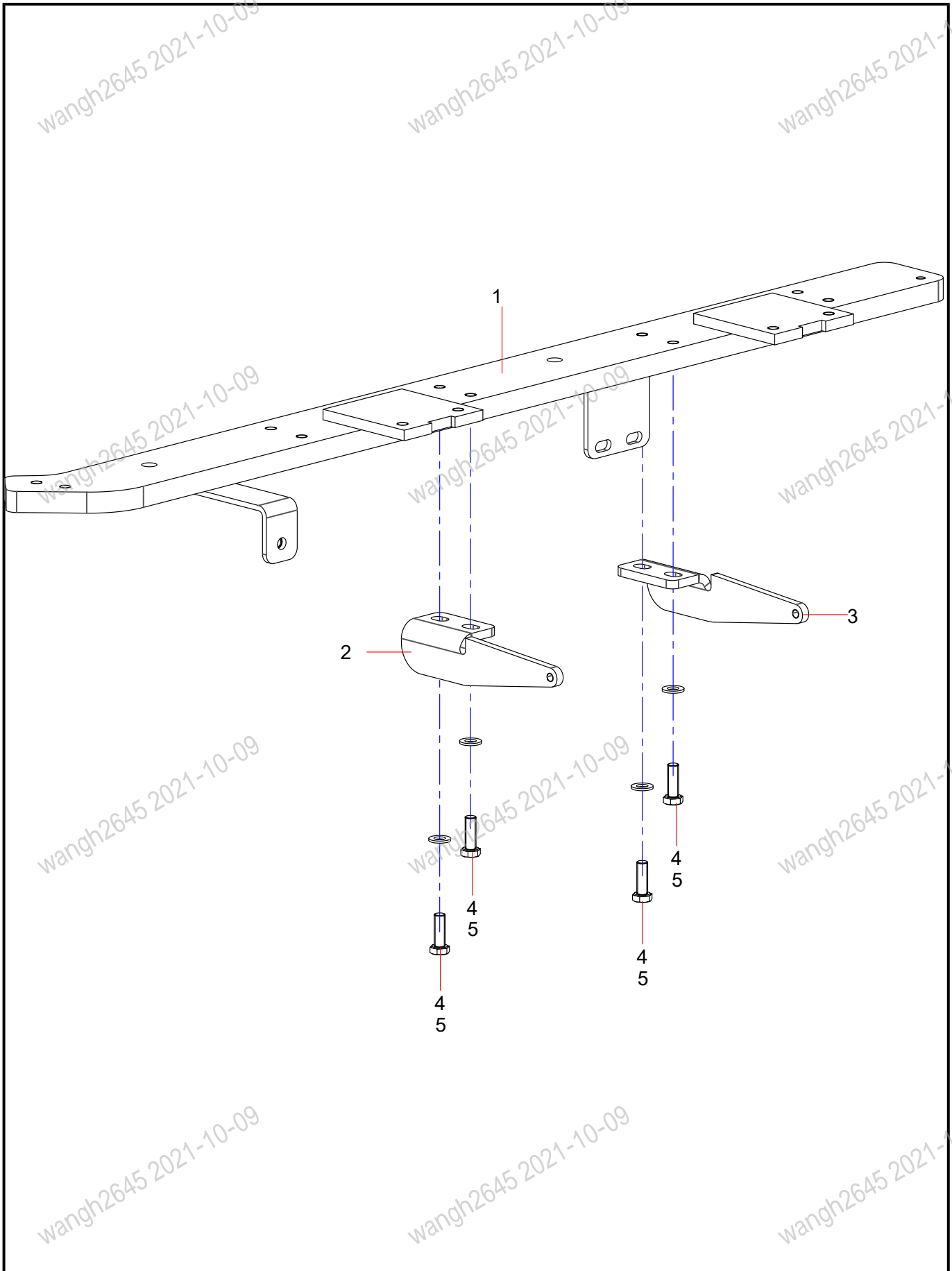
6-20 Cover

SY50C9Y5RU(GB)

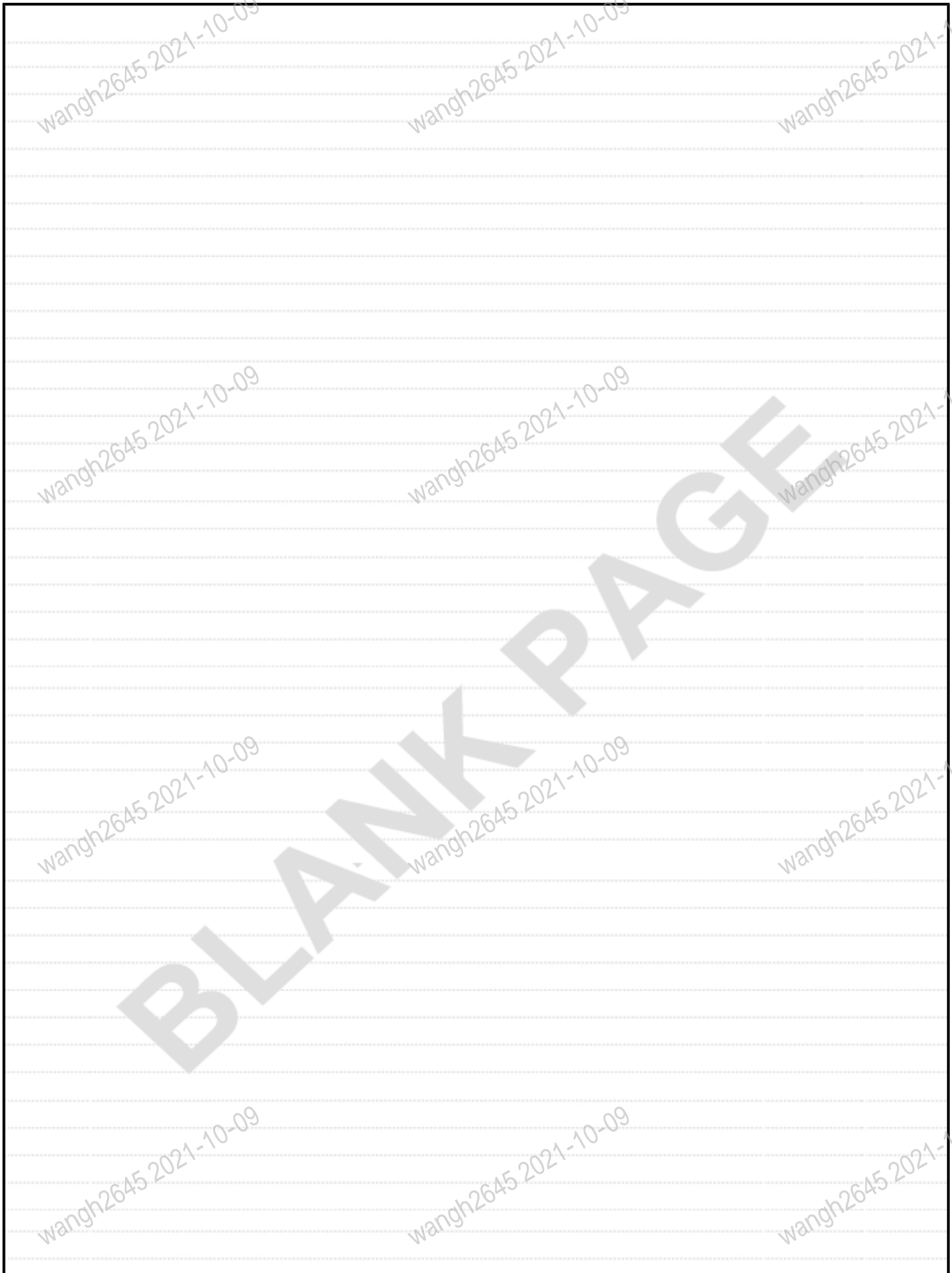
INDEX	PART NO.	DESCRIPTION	QTY	SEE PAGE
1	A210307000014	Nut	16	
2	A210405000004	Washer	16	
3	13266236	Left door steel lathing	1	
4	14377648	Left door welding part	1	
5	24000528	Bolt	2	
6	24000633	Washer	2	
7	13718129	protecting tube	1	



INDEX	PART NO.	DESCRIPTION	QTY	SEE PAGE
1	13266096	Bridging rear Beam assembly	1	6-24
2	13266084	Left rear pillar assembly	1	
3	A210404000003	Washer	6	
4	A210111000027	Bolt	8	
5	13717640	Left rear pillar assembly	1	
6	13717642	Right rear pillar assembly	1	
7	A210405000011	Washer	4	
8	A210111000018	Bolt	2	
9	13266121	Front pillar assembly	1	
10	13266114	Right rear pillar assembly	1	



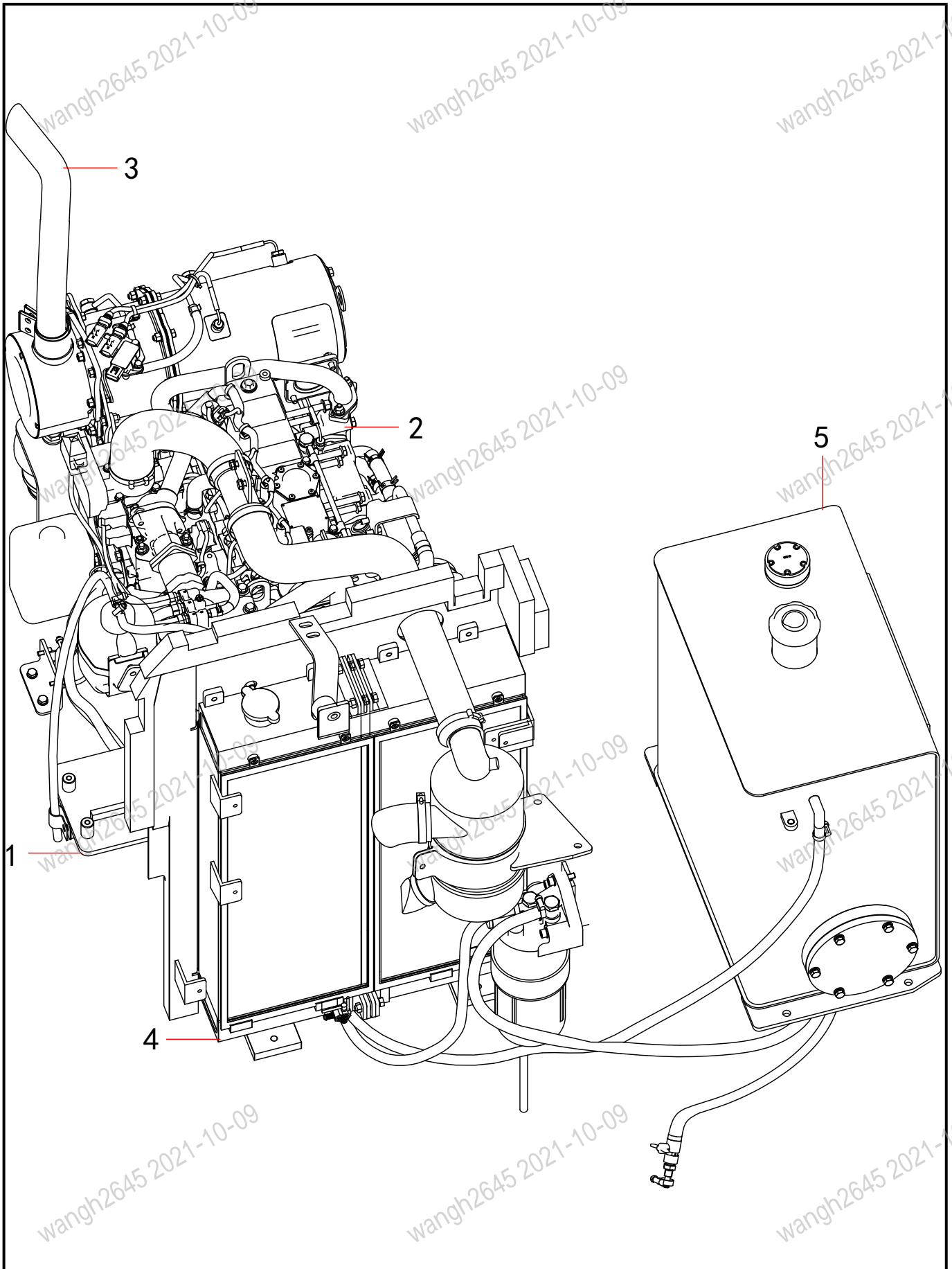
INDEX	PART NO.	DESCRIPTION	QTY	SEE PAGE
1	SSY004793604	Cross beam welding parts	1	
2	14502669	Air Spring Mounting plate I	1	
3	14502670	Air Spring Mounting plate II	1	
4	24000637	Washer	4	
5	A210111000024	Bolt	4	



Group 7

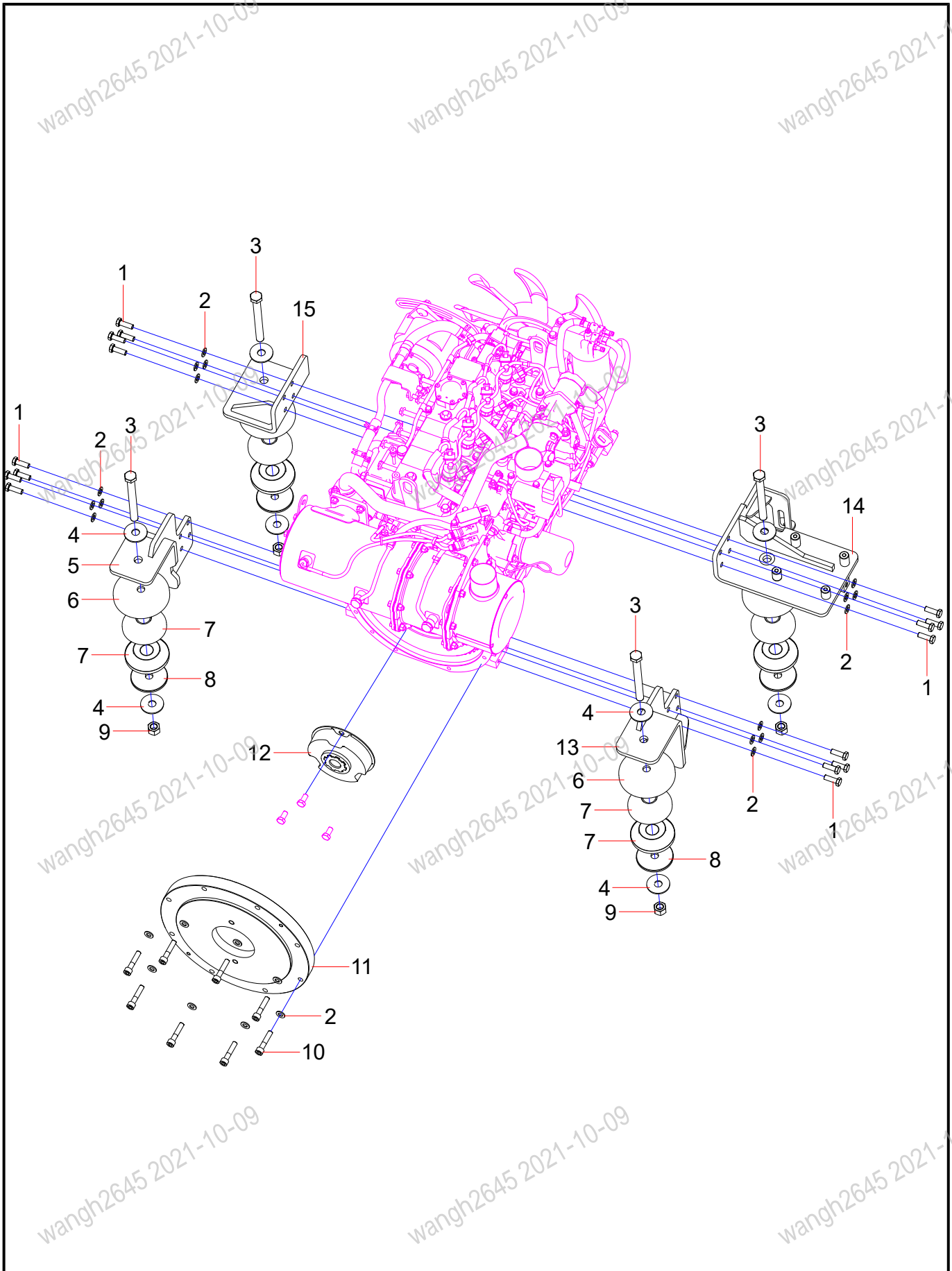
Power system

Power system



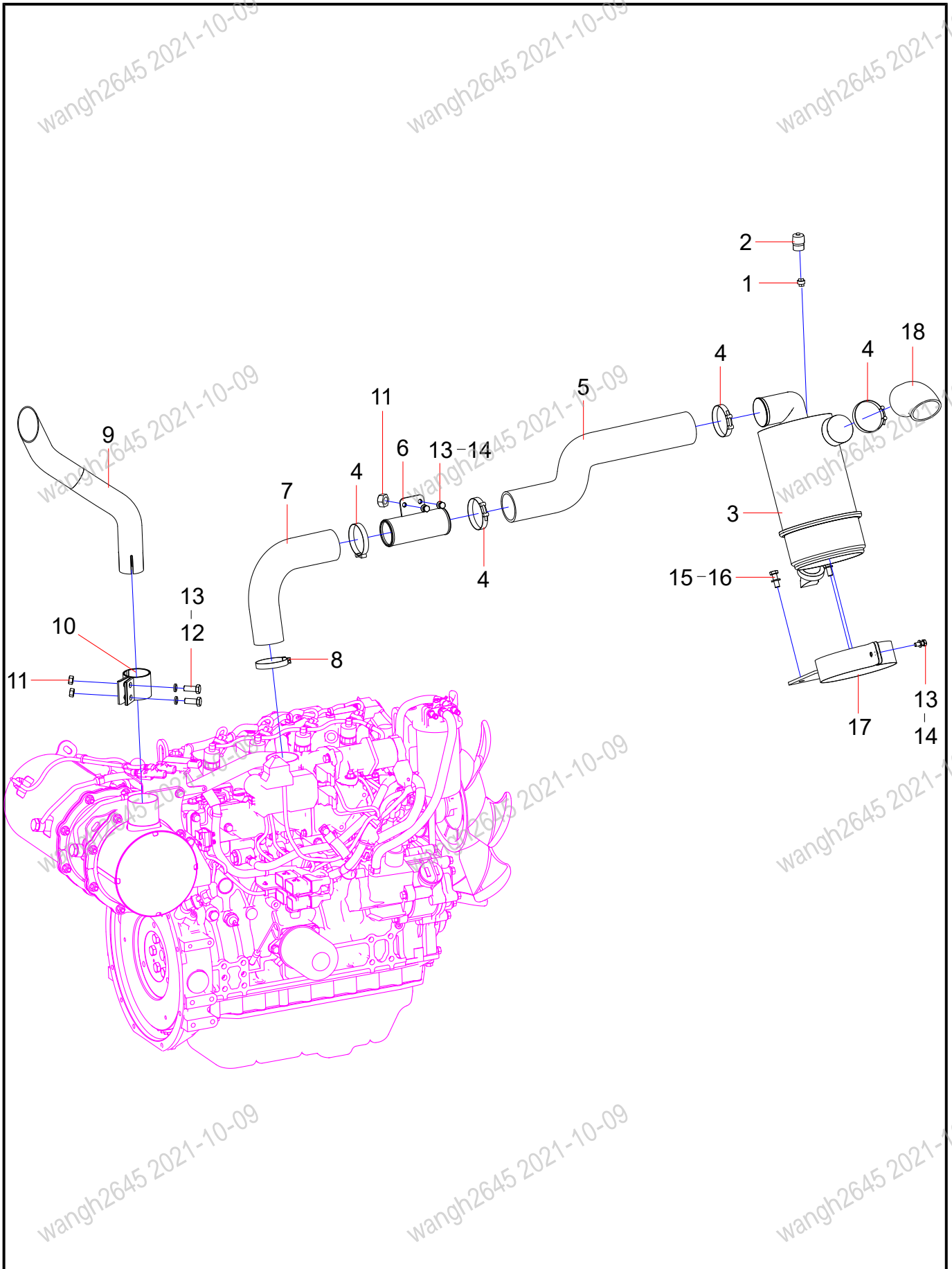
INDEX	PART NO.	DESCRIPTION	QTY	SEE PAGE
1		Transmission & shock mitigation system	1	7-4
2	160102020009B	Engine	1	
3		Air intake & exhaust system	1	7-6
4		cooling system	1	7-10
5		Fuel System	1	7-14

Transmission & shock mitigation system



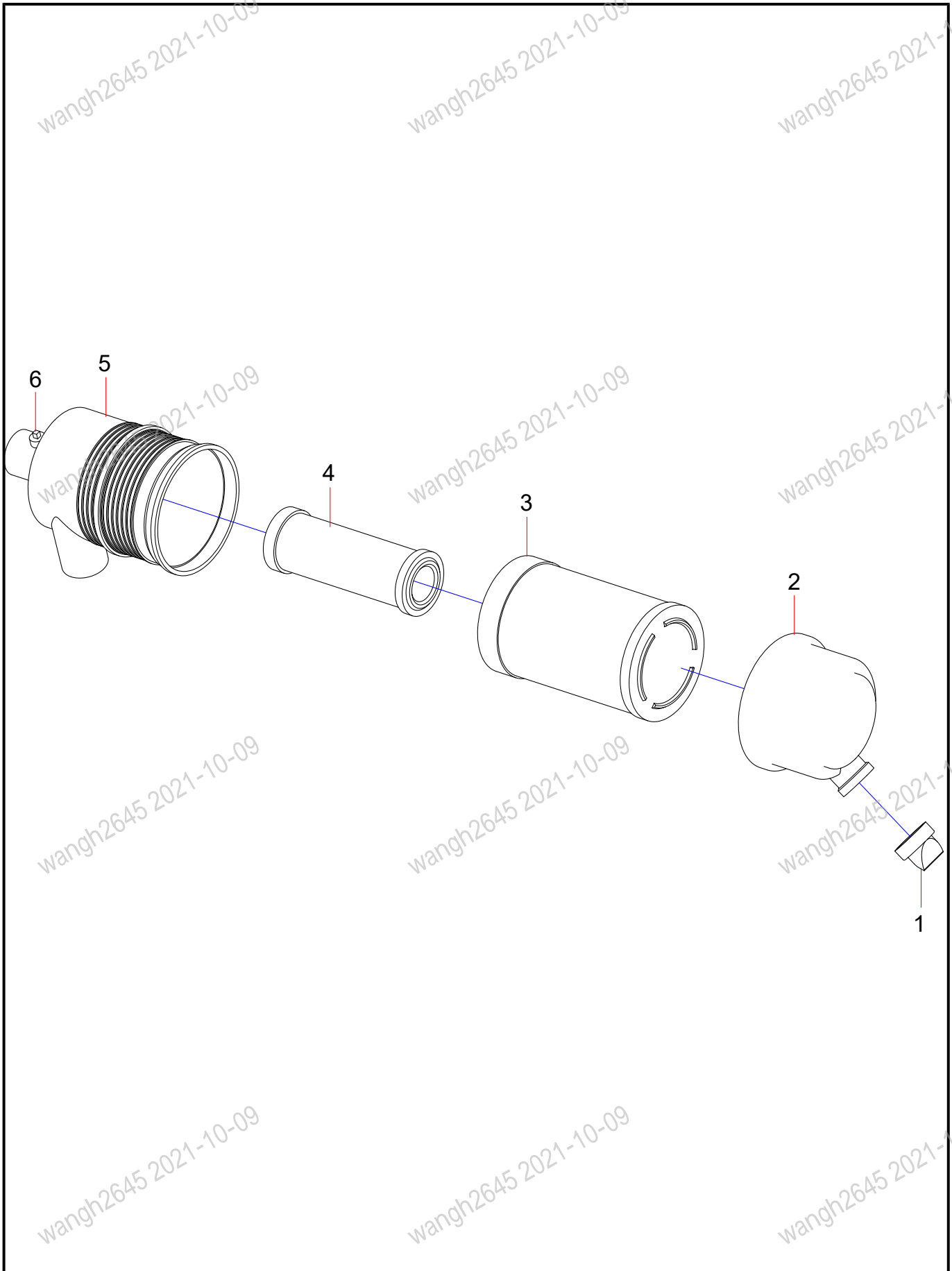
INDEX	PART NO.	DESCRIPTION	QTY	SEE PAGE
1	A210111000024	Bolt	16	
2	24000637	Washer	24	
3	A210111000210	Bolt	4	
4	A210491000118	Washer	8	
5	13718379	Left front outrigger	1	
6	12727958	mat	4	
7	60212661	Damping pad	8	
8	12810653	damper lower backup plate	4	
9	A210307000028	Nut	4	
10	A210204000356	Screw	8	
11	13718595	Connecting disc of flywheel shell	1	
12	60358469	Flanging coupling	1	
13	13718351	Left rear support leg	1	
14	13717702	right rear support leg	1	
15	13717733	Right front support leg	1	

Air intake & exhaust system



INDEX	PART NO.	DESCRIPTION	QTY	SEE PAGE
1	B229900003909	Sensor adaptor of air cleaner	1	
2	60195980	Alarm Pressure	1	
3	60114706	air cleaner	1	7-8
4	A229900002031	T-clamp	4	
5	13719304	air intake tube	1	
6	13719828	connection steel tube assembly	1	
7	13719125	air intake rubber hose	1	
8	A229900003104	T-clamp	1	
9	13721203	rear tube of silencer	1	
10	13719823	Anchor Ear	1	
11	A210307000055	Nut	4	
12	A210111000293	Bolt	2	
13	24000633	Washer	5	
14	A210111000342	Bolt	3	
15	A210111000197	Bolt	2	
16	24000637	Washer	2	
17	13719781	Clamp assembly	1	
18	13944323	air intake tube	1	

60114706 air cleaner

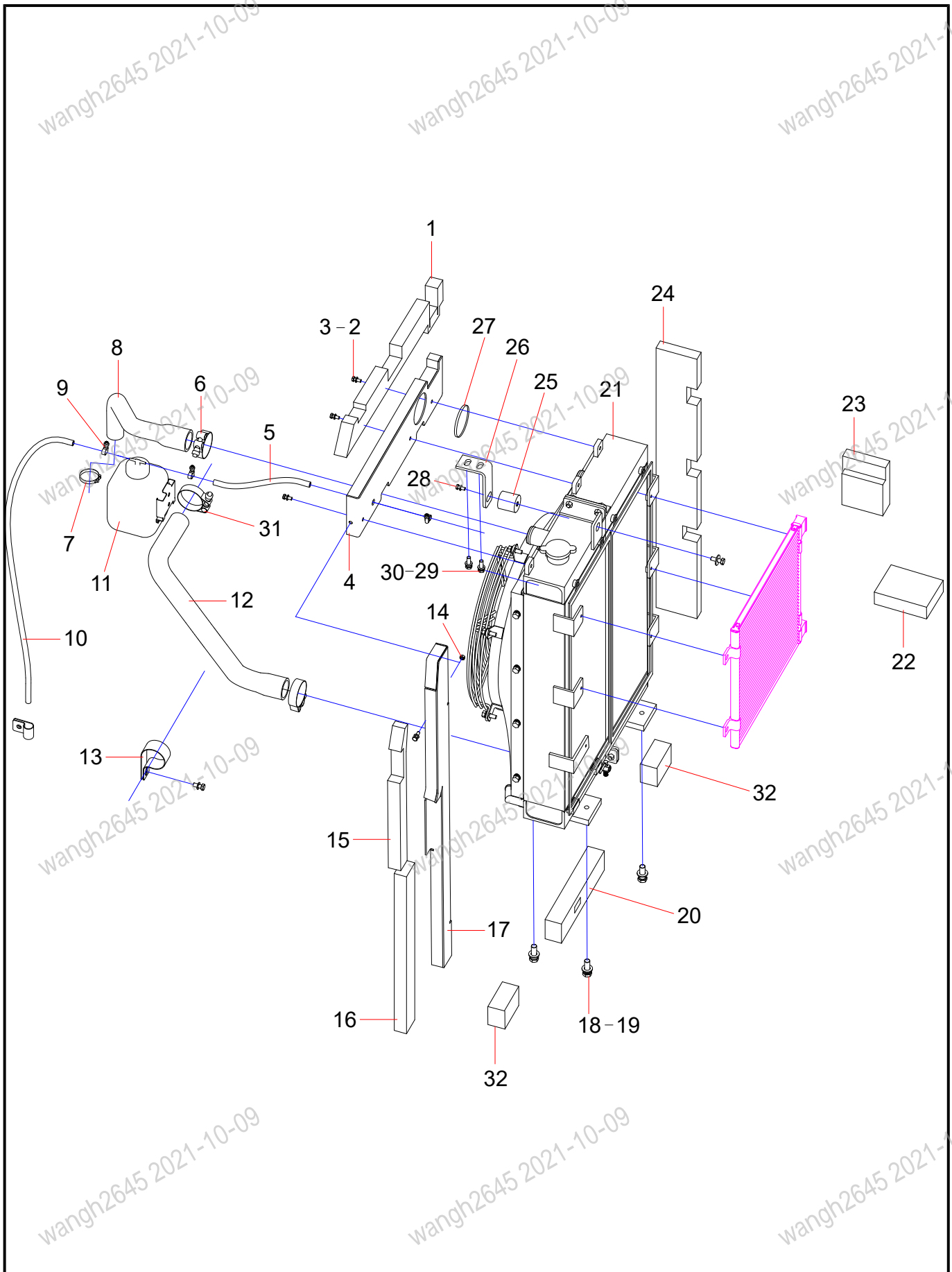


7-8 Power system

SY50C9Y5RU(GB)

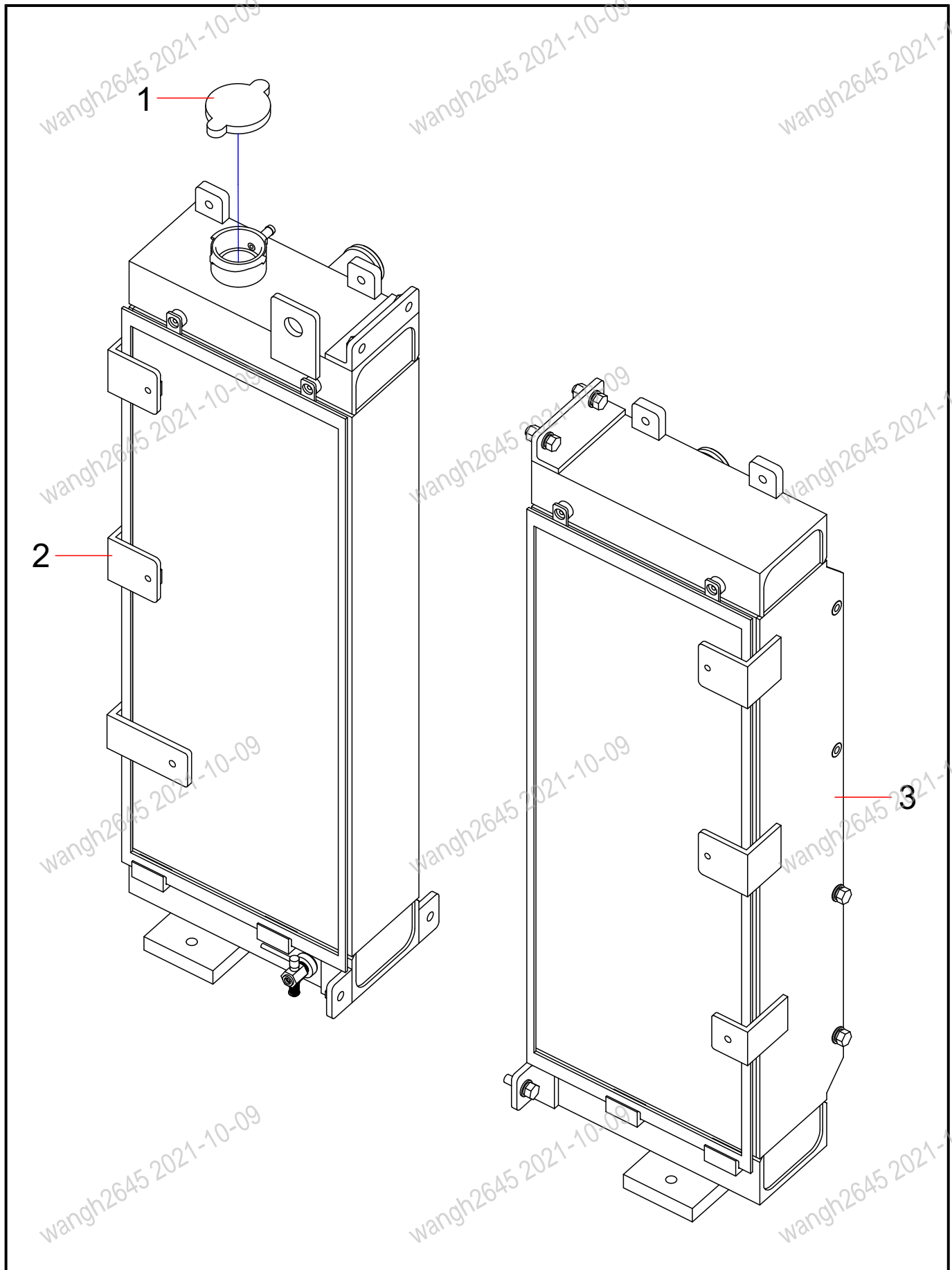
INDEX	PART NO.	DESCRIPTION	QTY	SEE PAGE
1	60257619	body assembly	1	
2	60023848	Safety filter element	1	
3	60023849	Primary filter element	1	
4	60257618	cover assembly	1	
5	60257620	vacuator valve	1	
6	60180748	Plug	1	

cooling system



INDEX	PART NO.	DESCRIPTION	QTY	SEE PAGE
1	13271909	higher sealing sponge	1	
2	24000637	Washer	7	
3	A210111000012	Bolt	5	
4	13271845	Upper wind insulation board	1	
5	13106223	Recruit Water Pipe	1	
6	60240503	Clamp	2	
7	60338982	Clamp	1	
8	13719015	Charging Tube	1	
9	60202895	Hose Clamp	3	
10	13267201	hose	1	
11	A229900004825	Liquid Reserve Tank	1	
12	13718893	Charging Tube	1	
13	60149606	Clamp	1	
14	A210307000036	Nut	1	
15	13271995	Left sealing sponge	1	
16	13272001	Lower sealing sponge	1	
17	13271714	left wind insulation board	1	
18	A210111000203	Bolt	4	
19	60060548	Washer	4	
20	13272008	Lower part sponge	1	
21	60306621	Radiator	1	7-12
22	13944702	sponge	1	
23	13271990	sponge	1	
24	13271931	Right-hand sponge	1	
25	A230102000054	Elastic pad of radiator SY60.1.3.3-11	1	
26	13267719	connecting plate	1	
27	14232642	Protective sleeve	1	
28	A210204000334	Screw	2	
29	A210111000343	Bolt	3	
30	24000633	Washer	3	
31	60338983	Hose clamp	1	
32	14234543	sponge	2	

60306621 Radiator

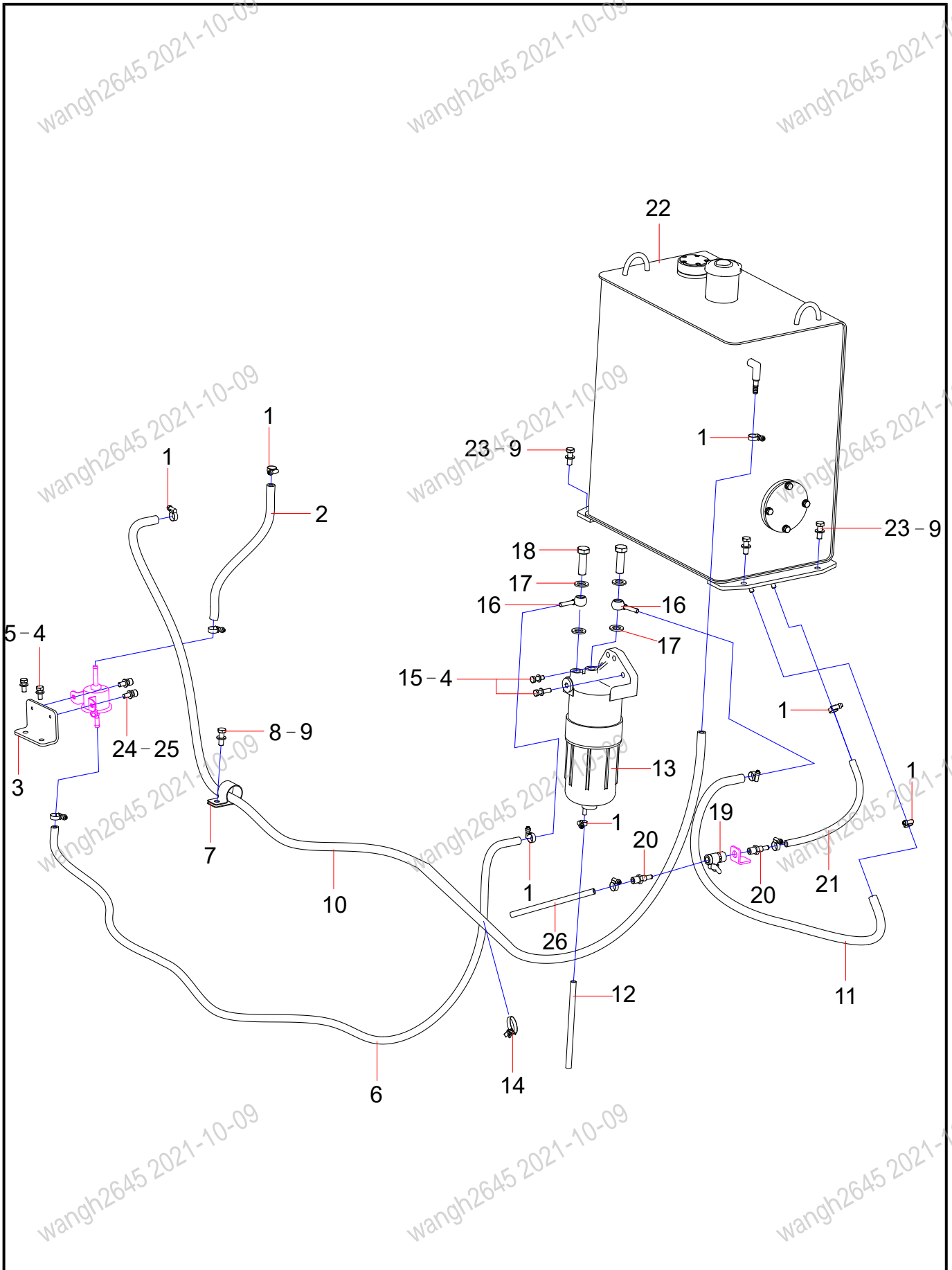


7-12 Power system

SY50C9Y5RU(GB)

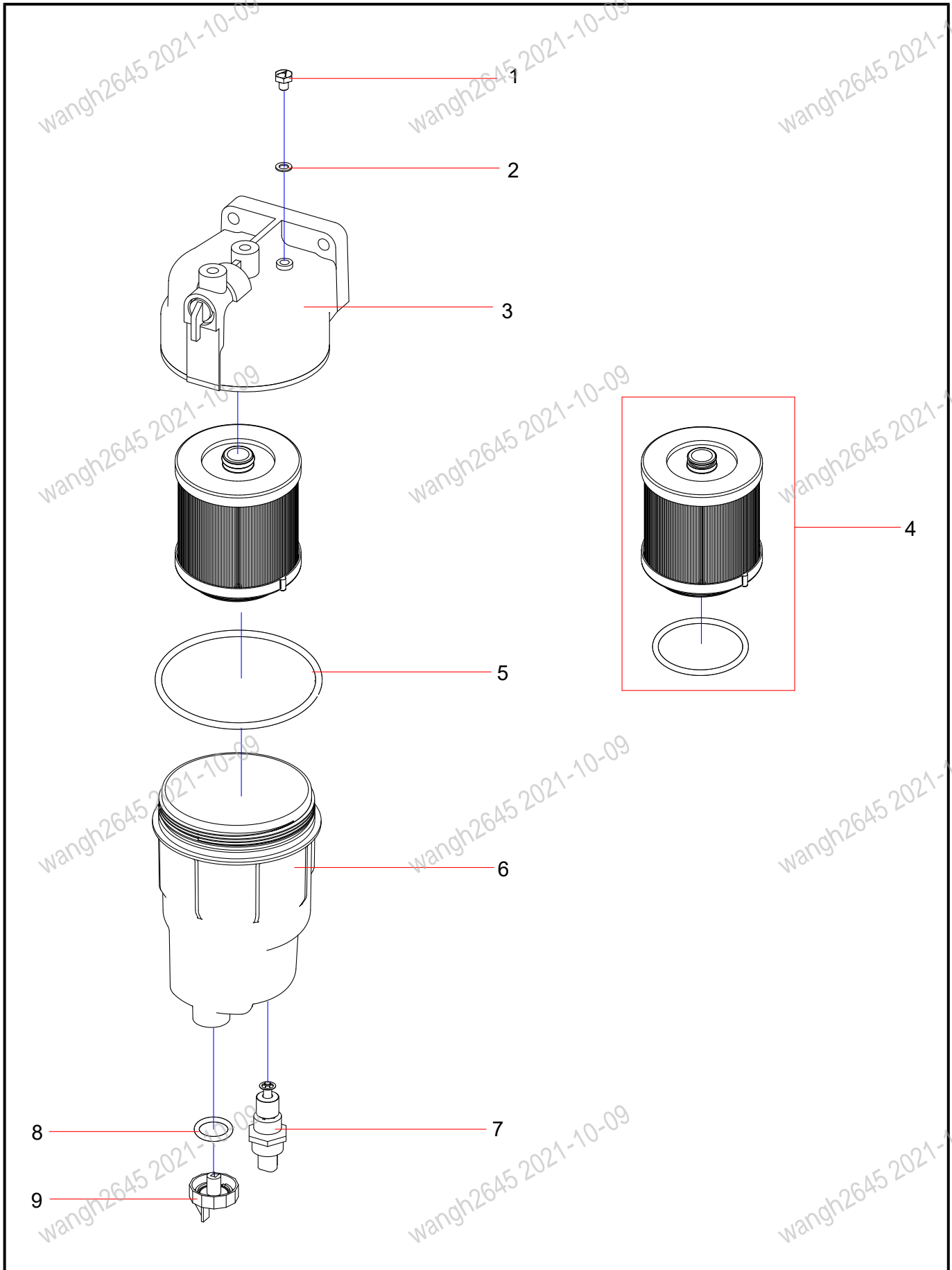
INDEX	PART NO.	DESCRIPTION	QTY	SEE PAGE
1	60077849	Cover of watering opening	1	
2	60280805	Radiator	1	
3	60280806	Radiator	1	

Fuel System

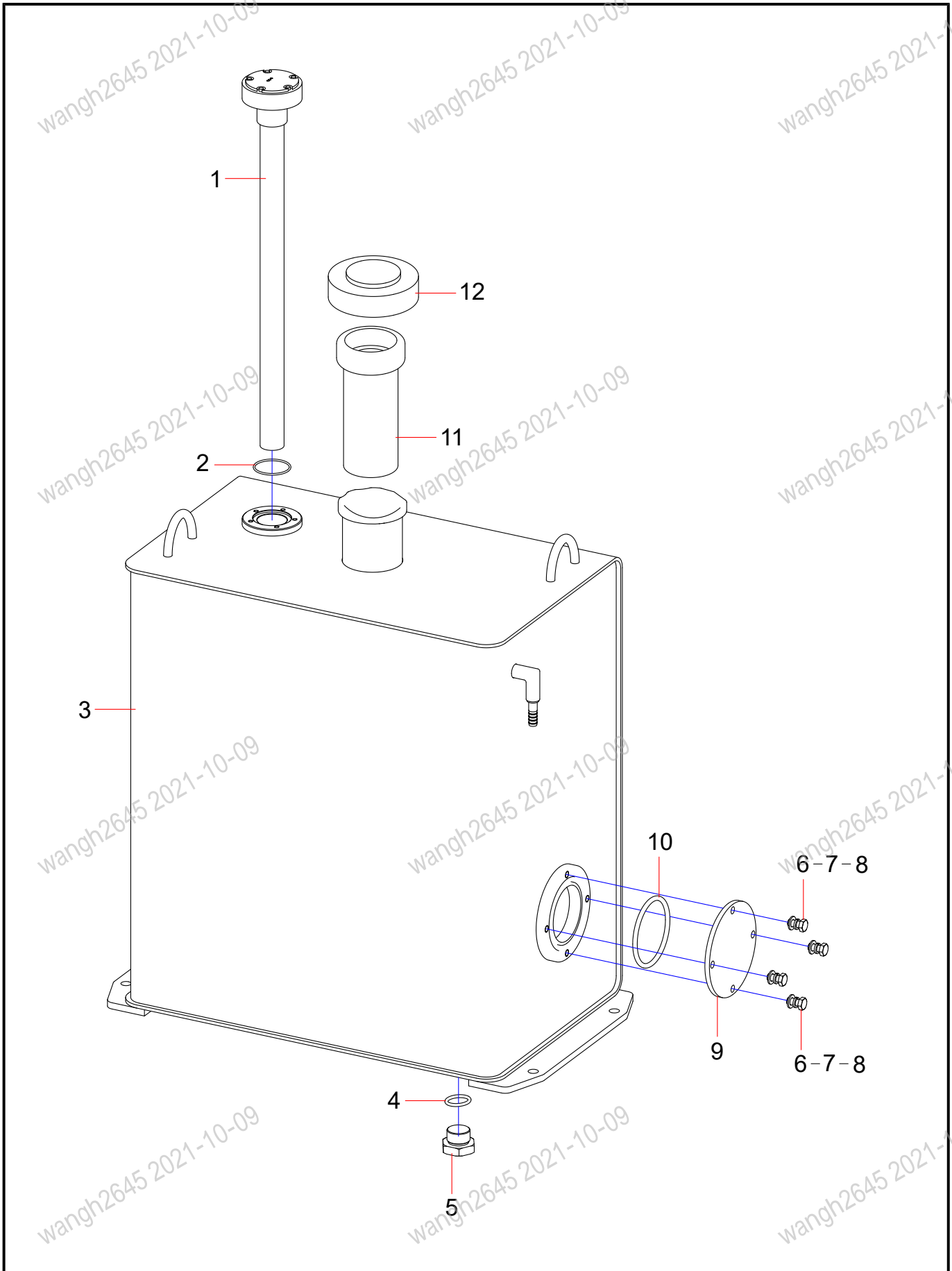


INDEX	PART NO.	DESCRIPTION	QTY	SEE PAGE
1	60202896	Hose Clamp	12	
2	13718715	prefilter sucker	1	
3	13720029	plate	1	
4	24000633	Washer	4	
5	A210111000343	Bolt	2	
6	13718732	fuel pipe	1	
7	12751803	clamp	1	
8	A210204000334	Screw	1	
9	24000637	Washer	5	
10	13718842	fuel pipe	1	
11	13718613	prefilter sucker	1	
12	11127565	drainage tube	1	
13	60307172	Fuel filter assembly	1	7-16
14	A239900000687	Nylon bandage	1	
15	A210204000347	Screw	2	
16	11343734	Fuel Pipe Joint M16-D8	2	
17	A210491000118	Washer	4	
18	A210199000016	Articulated Bolt	2	
19	A229900000882	Valve	1	
20	13055186	Water-out-joint	2	
21	13101501	fuel pipe	1	
22	13260082	Fuel tank assy	1	7-18
23	A210111000024	Bolt	4	
24	60249819	Screw	2	
25	24000632	Washer	2	
26	13494001	drainage tube	1	

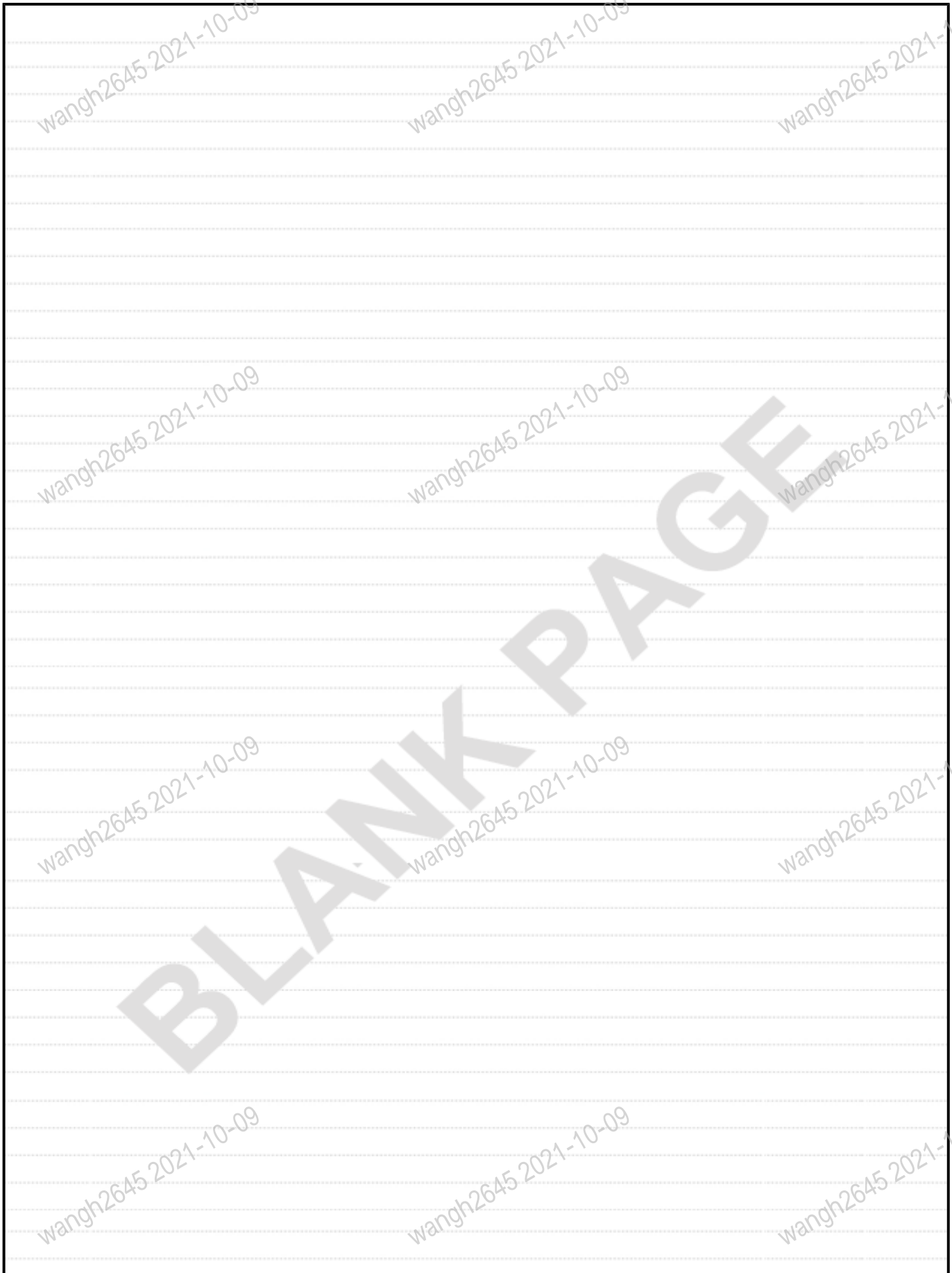
60307172 Fuel filter assembly



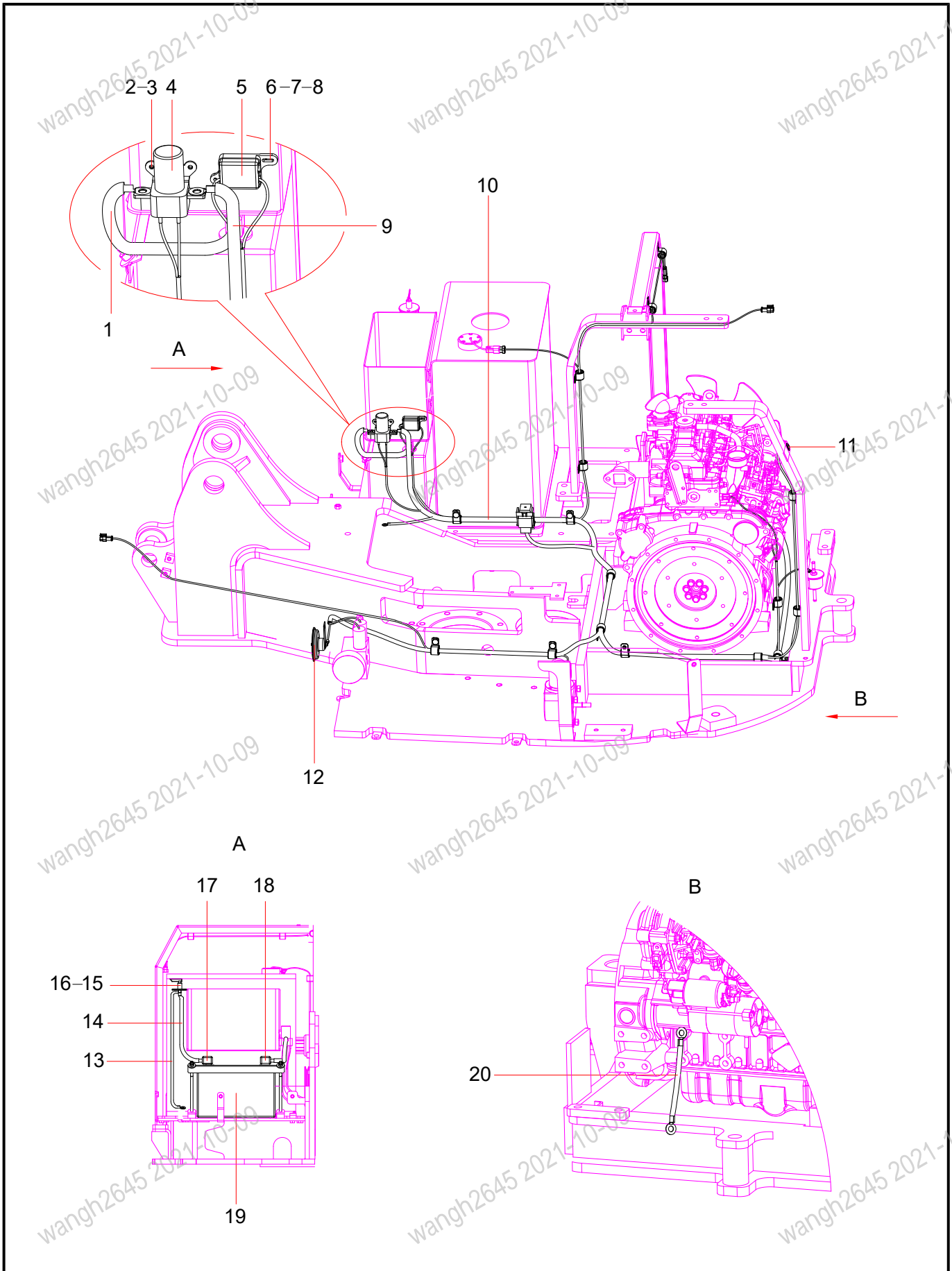
INDEX	PART NO.	DESCRIPTION	QTY	SEE PAGE
1	61005354	Bolt	1	
2	61005355	Spacer	1	
3	61005352	Base	1	
4	60307173	Fuel Filter	1	
5	61005358	X-ring	1	
6	61005353	Block Assembly	1	
7	61005359	Water Level Alarm	1	
8	61005357	Seal Washer	1	
9	61005356	Drainage Cover	1	



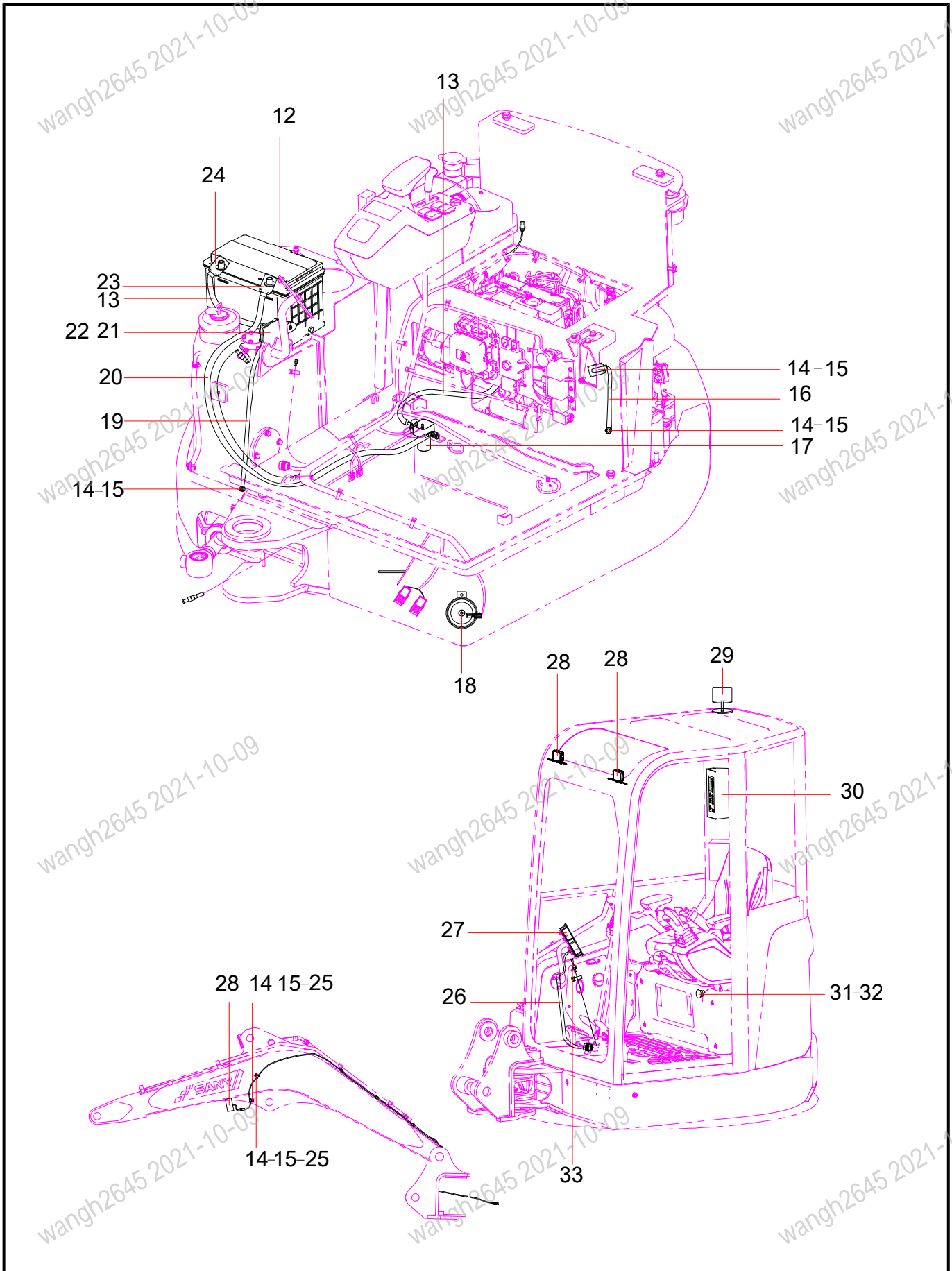
INDEX	PART NO.	DESCRIPTION	QTY	SEE PAGE
1	60206741	Fuel Sensor	1	
2	B230101000404	O-ring	1	
3	13259638	Fuel Tank	1	
4	B230101000356	O-ring	1	
5	10514225	Plug	1	
6	24000511	Washer	4	
7	24000633	Washer	4	
8	A210111000342	Bolt	4	
9	12983058	Cleaning Flange Cap	1	
10	A210609000273	O-ring	1	
11	B222100000201	Fuel Filter (Excavator)	1	
12	60355379	Fuel Tank Cap	1	



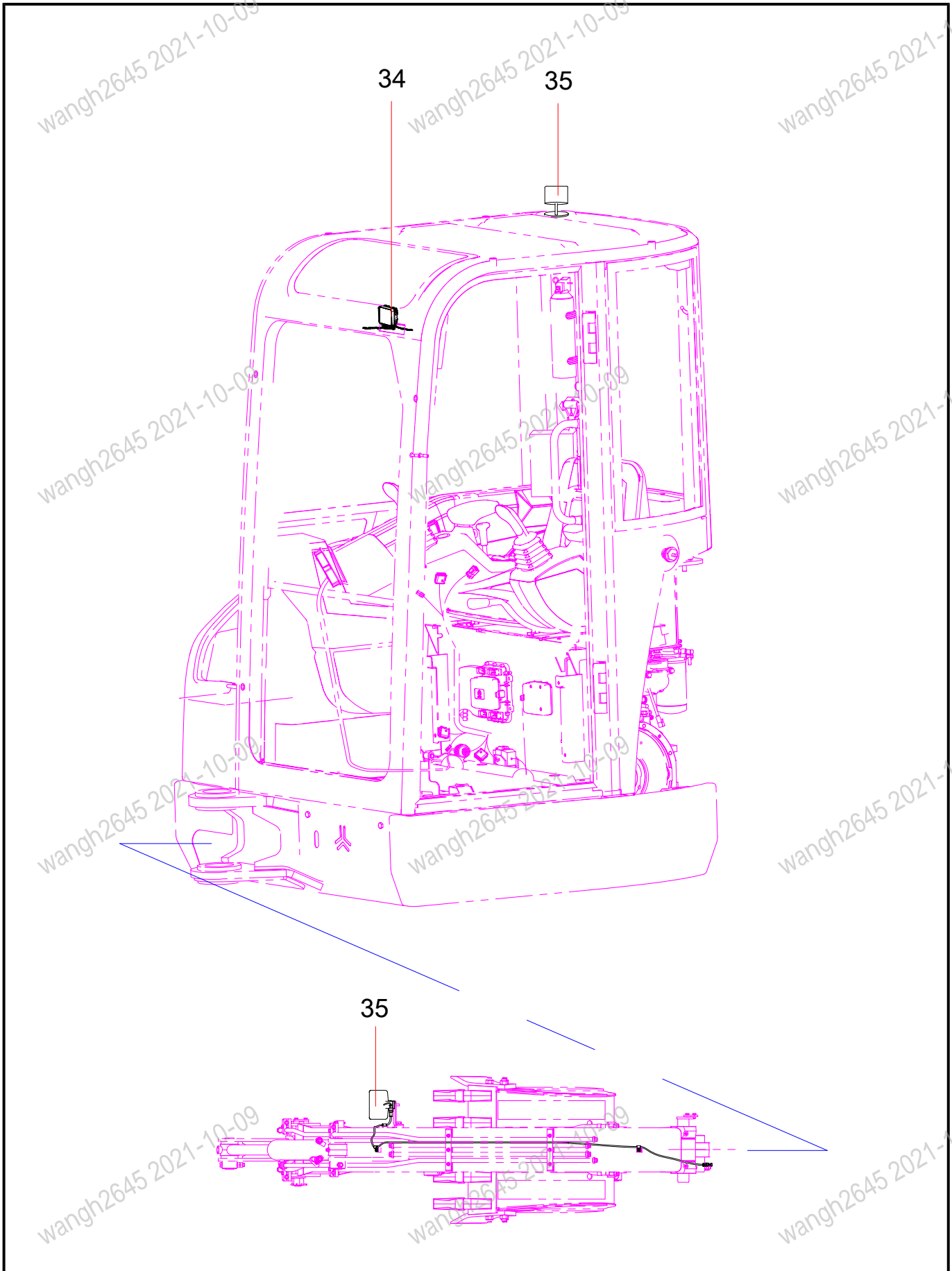
Group 8
Electrical assembly drawing



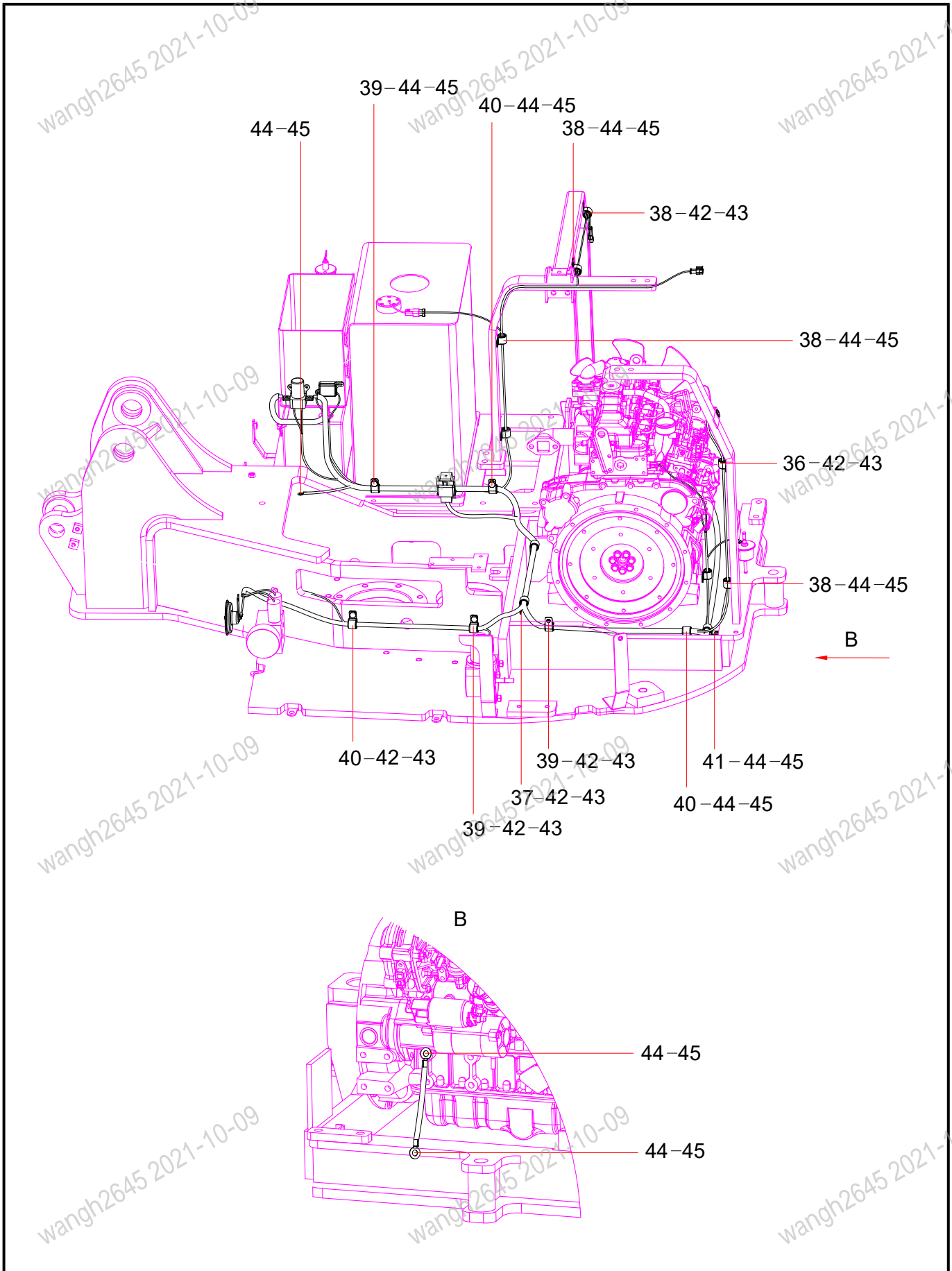
INDEX	PART NO.	DESCRIPTION	QTY	SEE PAGE
1	13966251	Power line	1	
2	A210204000115	Screw	2	
3	A210405000005	Washer	2	
4	60212612	Dc Contactor	1	
5	A241300000059	Fuse Housing	1	
6	A210210000030	Screw	2	
7	A210405000004	Washer	2	
8	A210307000014	Nut	2	
9	10074977	Power supply harness	1	
10	13937377	body harness	1	
11	B241000000022	Receptacle Power	1	
12	60211509	Horn	1	
13	13964846	power line	1	
14	60018110	Power supply harness	1	
15	61022402	Master Switch of Power Supply	1	
16	13722991	plate	1	
17	60013321	Terminal Group, Type-A Battery Negative	1	
18	60013322	Terminal Group, Type-A Battery Positive	1	
19	60190637	Battery	1	
20	12537763	Power Supply Line	1	



INDEX	PART NO.	DESCRIPTION	QTY	SEE PAGE
12	60211509	Horn	1	
13	13964846	power line	1	
14	60018110	Power supply harness	1	
15	61022402	Master Switch of Power Supply	1	
16	13722991	plate	1	
17	60013321	Terminal Group, Type-A Battery Negative	1	
18	60013322	Terminal Group, Type-A Battery Positive	1	
19	60190637	Battery	1	
20	12537763	Power Supply Line	1	
21	60202078	Cluster Fixed Lace	6	
22	11766171	harness of display	1	
23	13943323	Sany Encourage Control Display	1	
24	13937361	Cab's harness	1	
25	12824424	Integrated box	1	8-10
26	A210111000079	Bolt	4	
27	A210404000009	Washer	4	
28	B240200000059	Emergency switch	1	
29	60050766	Contact Module	1	
30	61030659	Radio	1	
31	60236996	Knob switch	1	
32	60218598	Ignition Switch	1	
33	13246316	Control Switch harnrss	1	

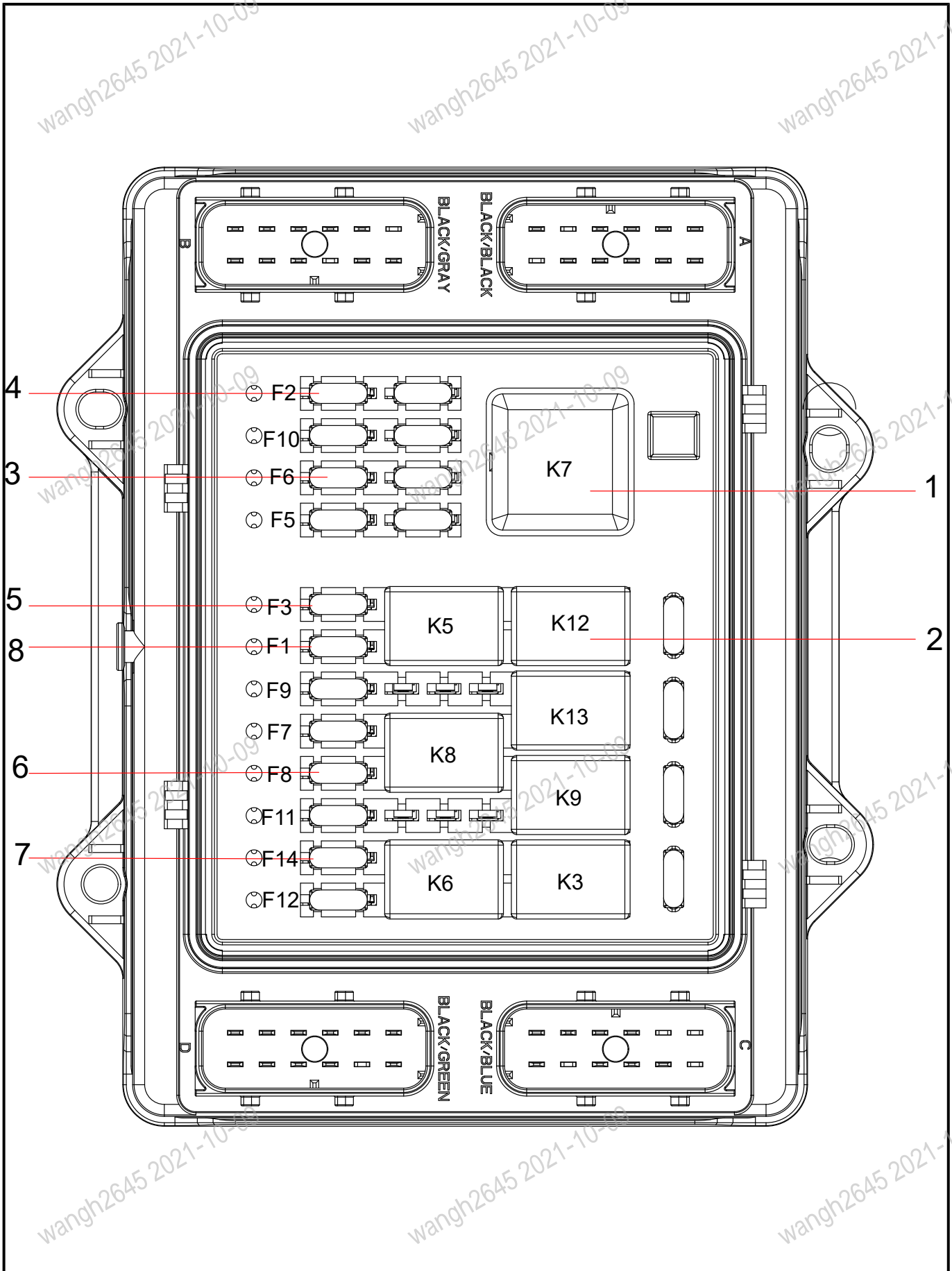


INDEX	PART NO.	DESCRIPTION	QTY	SEE PAGE
34	60143661	Headlight	3	
35	60237043	Alarm lamp	1	



INDEX	PART NO.	DESCRIPTION	QTY	SEE PAGE
36	60083322	Clamp	5	
37	60086357	Clamp	2	
38	60086353	Wire Clamp	5	
39	60086355	Clamp	4	
40	60086356	Harness Fixed Frame	3	
41	60086354	Clamp	4	
42	A210111000293	Bolt	10	
43	A210405000007	Washer	10	
44	A210111000195	Bolt	10	
45	A210404000003	Washer	10	

12824424 Integrated box

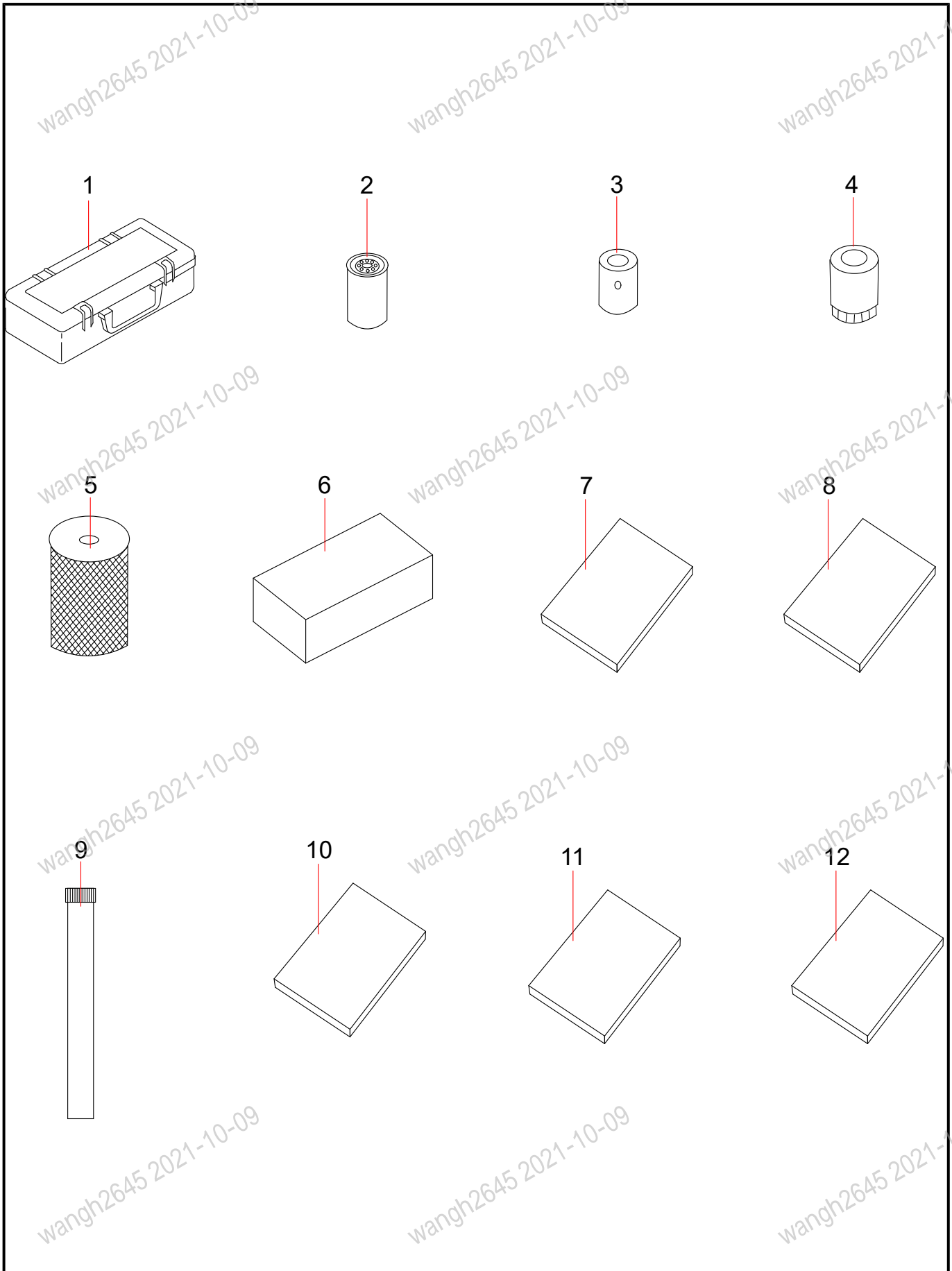


INDEX	PART NO.	DESCRIPTION	QTY	SEE PAGE
1	60215655	Intermediate Relay	1	
2	60215653	Intermediate Relay	7	
3	60215505	Fuse	2	
4	60215506	Fuse	5	
5	60215507	Fuse	2	
6	60215508	Fuse	1	
7	60215509	Fuse	1	
8	60215510	Fuse	1	

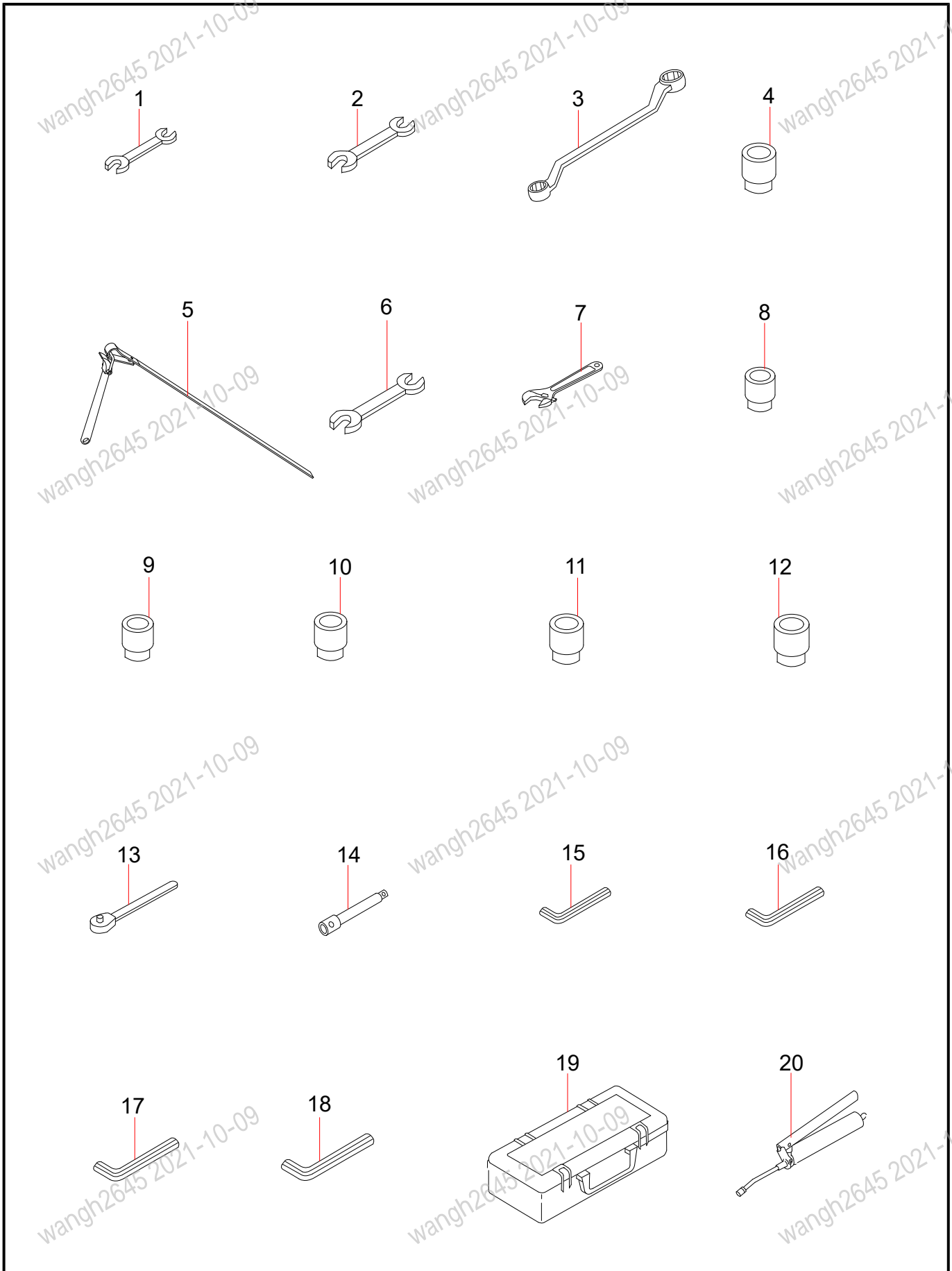


Group 9

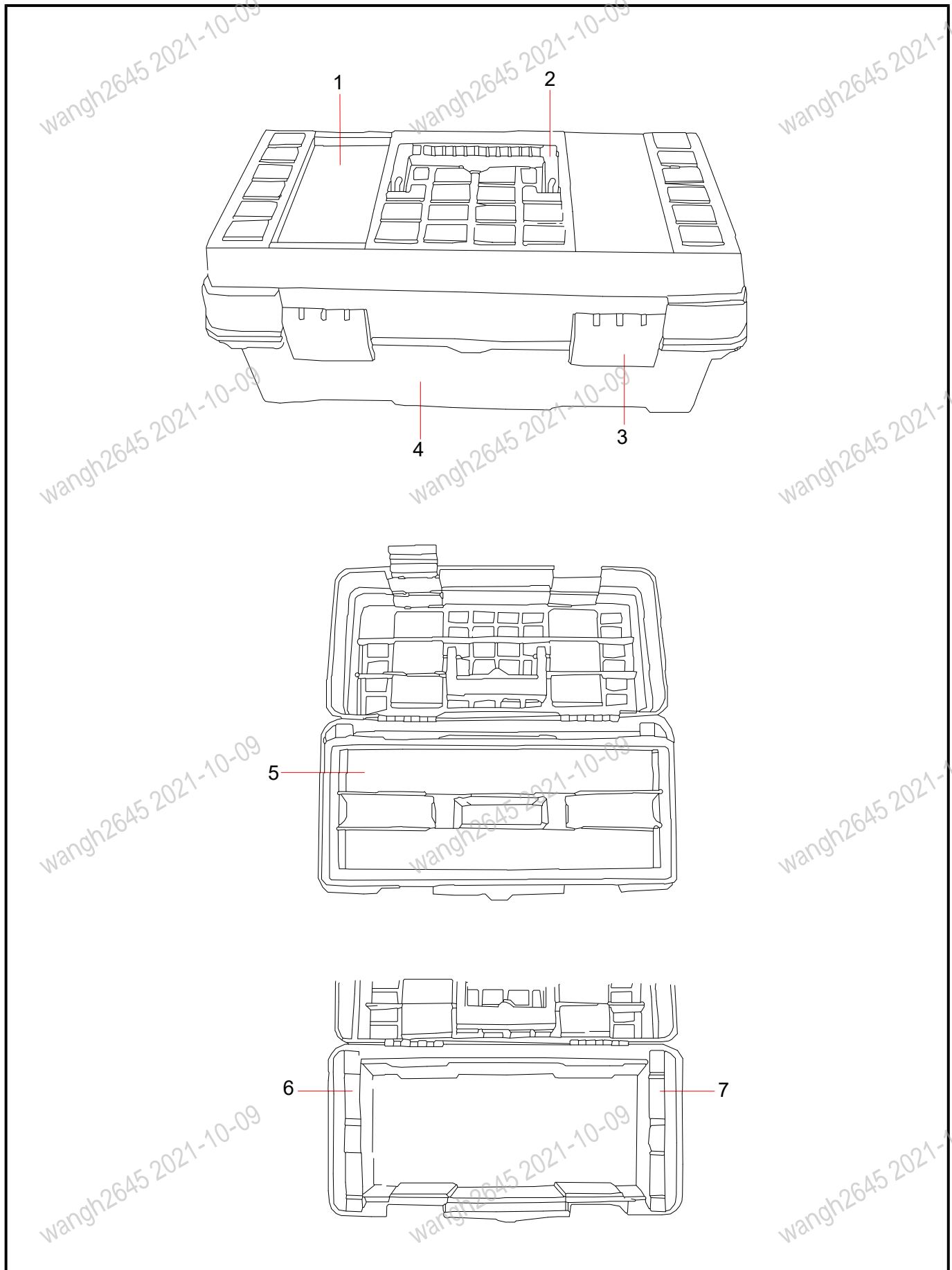
SY50C1Y4NU attached accessories



INDEX	PART NO.	DESCRIPTION	QTY	SEE PAGE
1	14042474	Accompanying tools	1	9-4
2	60336531	Filter fuel oil	1	
3	60307173	Fuel Filter	1	
4	B222100000686	Oil filter	1	
5	60123506	Main Cartridge of Air Cleaner	1	
6	60041997	Accessories Box	1	
7	11826337	Sany Excavator Maintenance and Guarantee(English)	1	
8	13992312	Drawing volume of parts SY50C1Y4NU	1	
9	60348929	Drain oil	1	
10	14155504	SY50 Loading Information	1	
11	14155503	SY50 Operation Manual	1	
12	14155500	SY50 Maintenance Manual	1	



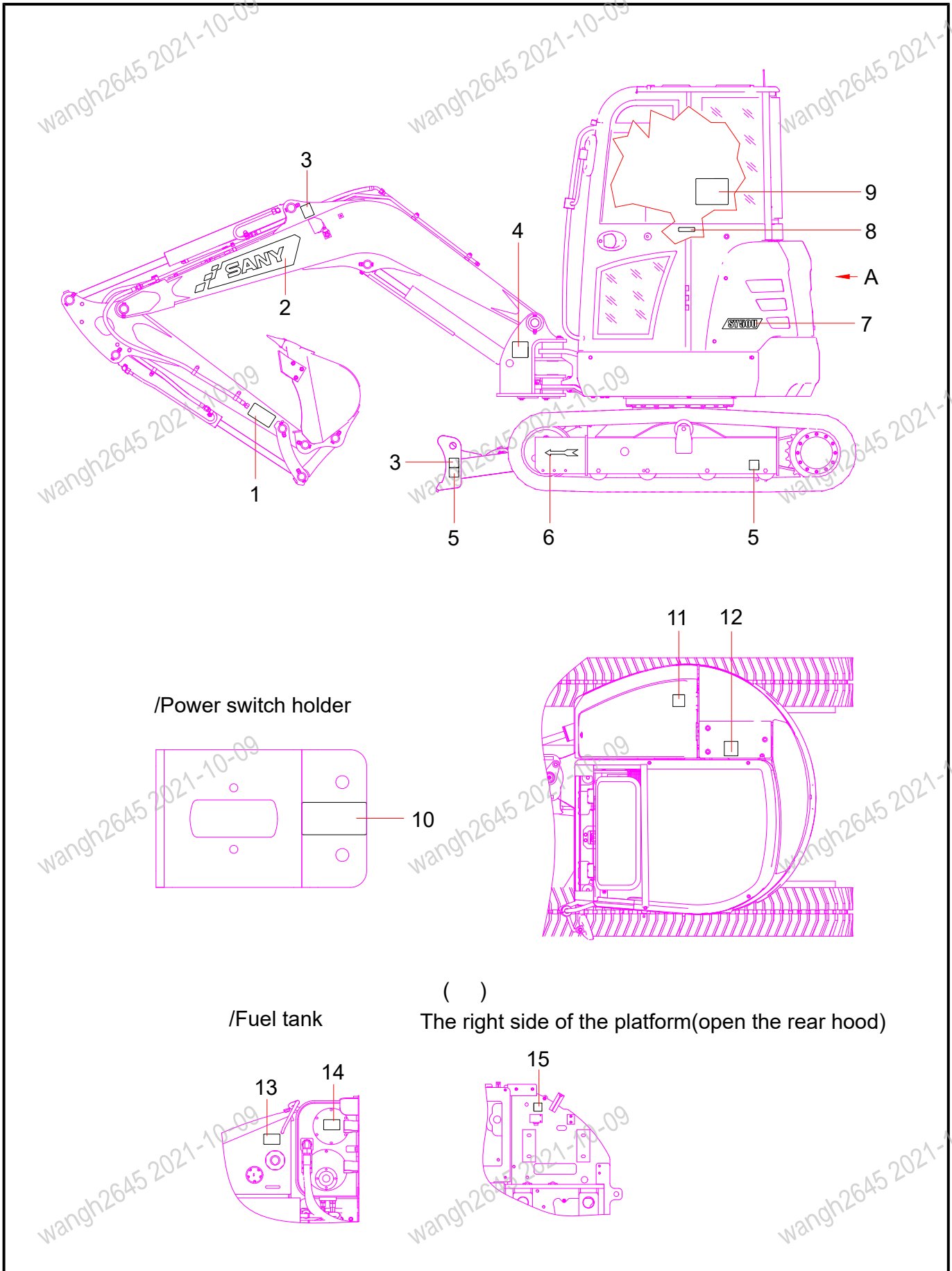
INDEX	PART NO.	DESCRIPTION	QTY	SEE PAGE
1	A260401030028	Double Open-end Wrench	1	
2	A260401030007	Spanner, Double-ended	1	
3	A260401030100	Wrench, Box End	1	
4	60001295	Socket	1	
5	B260401090024	Spanner, Belt	1	
6	A260401030005	Spanner, Double-ended	1	
7	A260401040004	Spanner, Adjustable	1	
8	A260401010025	Socket	1	
9	A260401010063	Socket	1	
10	A260401010027	Socket	1	
11	A260401010051	Sleeve	1	
12	A260401010029	Sleeve 34×20GB3390.1-04	1	
13	A260401090010	Wrench Ratchet	1	
14	A260401010092	Connecting Rod	1	
15	A260401020009	Wrench, Allen	1	
16	A260401020010	Wrench, Allen	1	
17	A260401020011	Wrench, Allen 8RgB5356	1	
18	A260401020004	Wrench, Allen	1	
19	A290000000155	Toolbox, portable	1	9-6
20	B260409000015	High Pressure Manual Grease Gun	1	



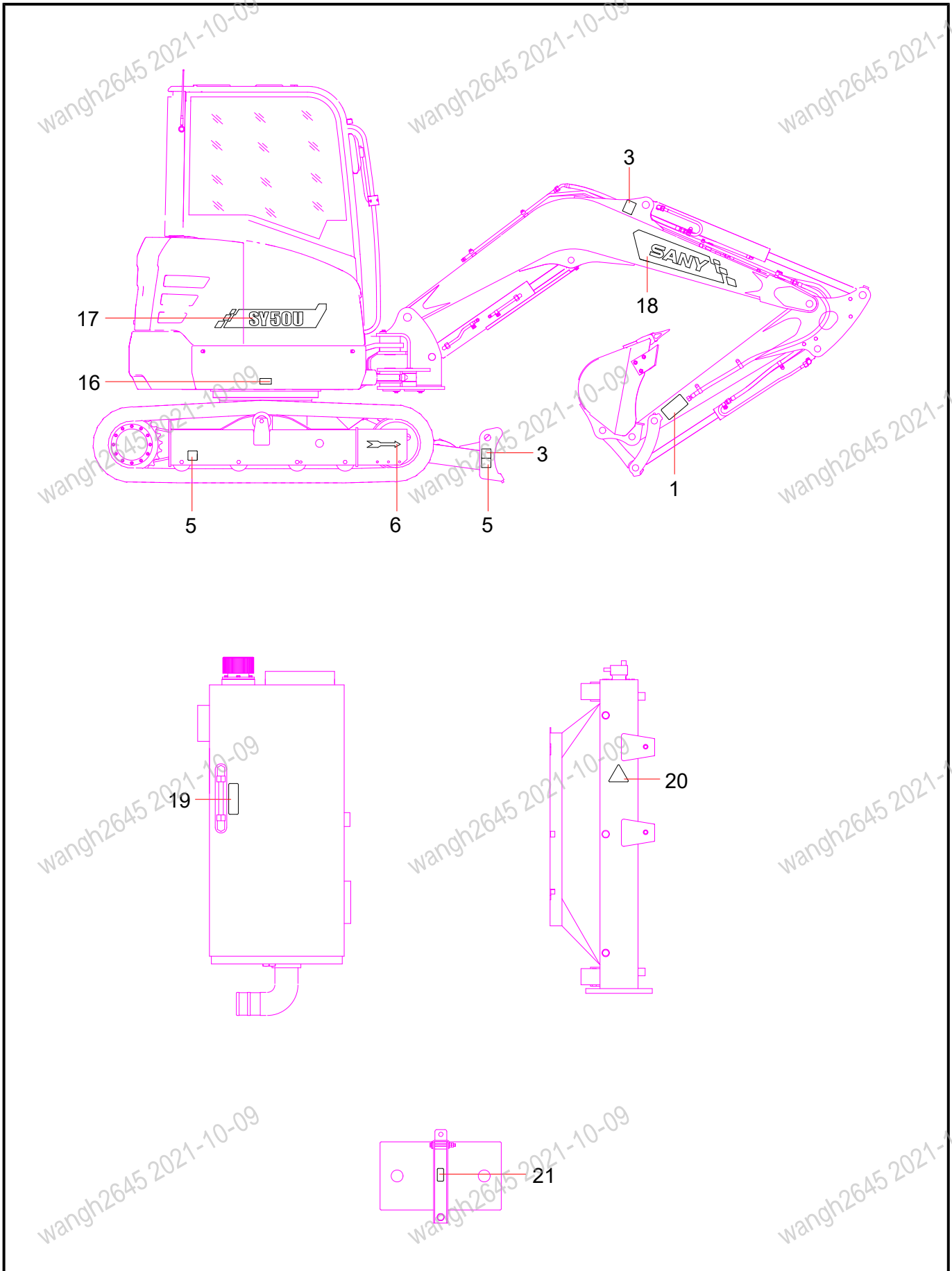
INDEX	PART NO.	DESCRIPTION	QTY	SEE PAGE
1	60153777	Upper Cover	1	
2	60153697	Handle	1	
3	60153693	Latch	2	
4	60153713	Footing	1	
5	60153827	Tray	1	
6	60153665	Support, Left	1	
7	60153654	Support, Right	1	



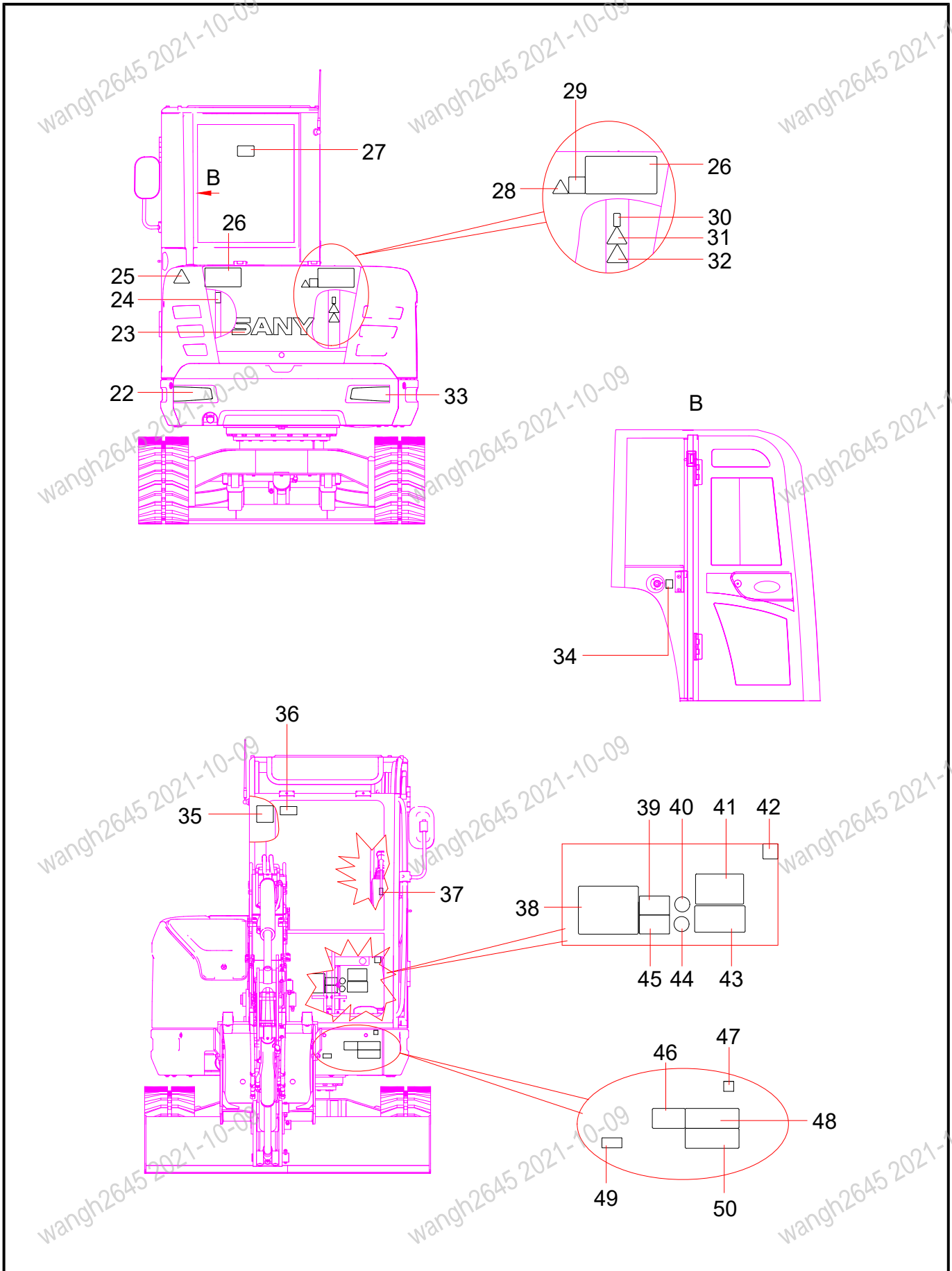
Group 10
SANY logo mark



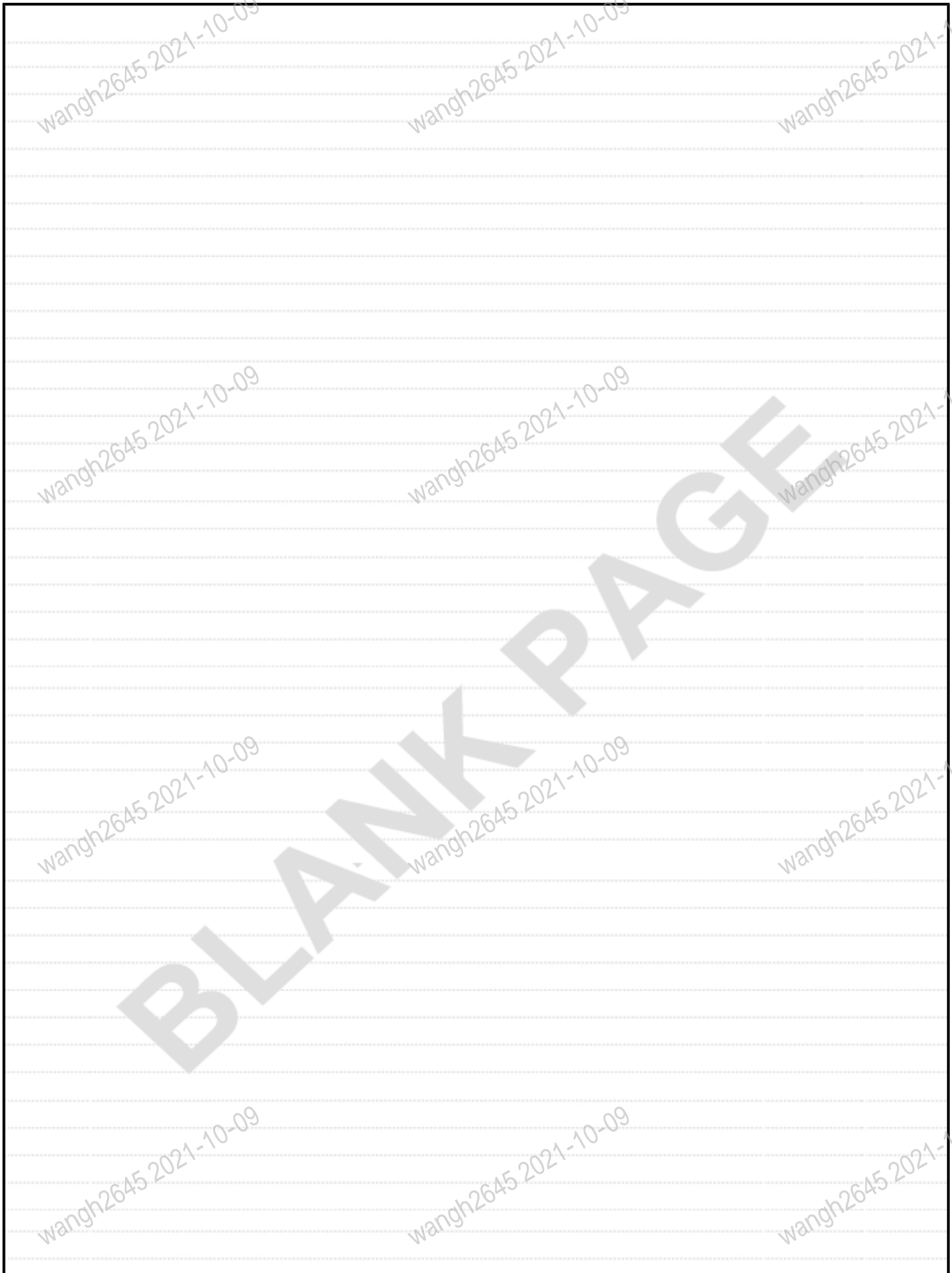
INDEX	PART NO.	DESCRIPTION	QTY	SEE PAGE
1	10124614	Caution Plate of Bucket Rod	2	
2	13793488	left boom marking	1	
3	12052087	Mark Diagram of Hook Point	4	
4	13132226	Noise marker	1	
5	13166446	Fixed Loading Spot Mark	4	
6	A820603000246	Forward Direction Indication	2	
7	13792720	machine body left end marking	1	
8	A820601000014	Control Indicating Board of Bulldozing Shovel	1	
9	13730379	lift Meter	1	
10	13323350	Switch Label	1	
11	13340334	Oil Level Label	1	
12	12033810	No Trample Nameplate	1	
13	13166425	Fuel Tank Indicator	1	
14	13272748	Hydraulic Oil Tank Indicative Board	1	
15	13507780	One Way/Two Way Valve	1	



INDEX	PART NO.	DESCRIPTION	QTY	SEE PAGE
1	10124614	Caution Plate of Bucket Rod	2	
3	12052087	Mark Diagram of Hook Point	4	
5	13166446	Fixed Loading Spot Mark	4	
6	A820603000246	Forward Direction Indication	2	
16	14142123	The deflection cylinder decals	1	
17	13792723	machine right end marking	1	
18	13793494	boom right marking	1	
19	13507828	Oil Level Label	1	
20	13509503	Be Care of Steam	1	
21	13507767	Power Sign	1	



INDEX	PART NO.	DESCRIPTION	QTY	SEE PAGE
22	13166523	Counterweight left reflective coating	1	
23	12880634	counerweight marking	1	
24	13507568	Oil-water Separator Drain Instruction	1	
25	13507855	Toxic	1	
26	A820601991049	Counterweight Warning Board	2	
27	13166419	Safety Exit Lable	1	
28	13507584	High Temperature Warning	1	
29	13507819	No Open Flame	1	
30	13132241	Power supply socket	1	
31	13507565	Fan Warning	1	
32	13507822	Counter Rotating Rollers	1	
33	13166529	Counterweight right reflective coating	1	
34	A820601990927	Decal, Unlock	1	
35	12033806	Safety Sign - Beware of Fire	1	
36	12052088	Front Window Lock Caution Board	1	
37	13155987	Leading Switch Mark	1	
38	14416325	Decal	1	
39	14373383	FOPS& TOPS Card	1	
40	13507746	Seat Safety Caution Board	1	
41	14416236	Decal	1	
42	13504946	Emergency Stop Switch	1	
43	13507562	Control Insturction	1	
44	13507743	Read Manual	1	
45	13156069	Foot Pedal Mark	1	
46	13411269	Lifting Mark	1	
47	13166740	Accumulator Decal	1	
48	13834945	Name Plate	1	
49	14320889	Slewing bearing oil filler mark	1	
50	13834946	Name Plate	1	



Index

10074977 Power supply harness.....	8-3	13088476 right rubber strip.....	6-9
10124614 Caution Plate of Bucket Rod.....	10-3, 10-5	13088477 limit mounting plate.....	6-17
10514225 Plug.....	7-19	13088506 rubber sleeve.....	6-13
10541251 Connector.....	2-63, 2-65, 2-73, 3-19, 4-27	13088544 limit wind hook.....	6-11
10542627 Board.....	2-79	130903000041A seat.....	5-29
10574179 Spacer.....	3-5	13101501 fuel pipe.....	7-15
10574180 Spacer.....	3-5, 4-3	13106223 Recruit Water Pipe.....	7-11
10597771 Cover Board.....	3-5	13116120 Rubber Protective Sleeve Component.....	5-39
10600405 Cover Plate.....	3-7	13116447 seat installation plate.....	5-35
11039416 rubber plug screw.....	2-7	13116452 radio installation plate.....	5-35
11127565 drainage tube.....	7-15	13116919 seat front cover plate assem.....	5-35
11133774 Protective Sleeve.....	2-137	13117631 cab front sponge.....	5-3
11133788 Protective Sleeve.....	2-137	13117632 cab side sponge.....	5-3
11141695 Mounting rack for drying bottle.....	2-9	13117634 cab rear sponge.....	5-3
11147279 G1/2(ED)-M22-L65 connector.....	2-61	13117643 BASSYe Plate Front Sponge.....	5-29
11205490 Cover board.....	3-7	13132226 Noise marker.....	10-3
11225695 Protective sleeve.....	2-137	13132241 Power supply socket.....	10-7
11343734 Fuel Pipe Joint M16-D8.....	7-15	13140255 back rubber cushion.....	5-3
11578416 Washer.....	2-47	13144049 Rubber hose.....	2-93
11679982 G1/4-M18 Adaptor.....	3-17	13155987 Leading Switch Mark.....	10-7
11766171 harness of display.....	8-5	13156069 Foot Pedal Mark.....	10-7
11826337 Sany Excavator Maintenance and Guarantee(English).....	9-3	13166419 Safety Exit Lable.....	10-7
11961759 Cramp.....	5-31	13166425 Fuel Tank Indicator.....	10-3
12033806 Safety Sign - Beware of Fire.....	10-7	13166446 Fixed Loading Spot Mark.....	10-3, 10-5
12033810 No Trample Nameplate.....	10-3	13166523 Counterweight left reflective coating... ..	10-7
12052087 Mark Diagram of Hook Point.....	10-3, 10-5	13166529 Counterweight right reflective coating.....	10-7
12052088 Front Window Lock Caution Board.....	10-7	13166740 Accumulator Decal.....	10-7
12053111 PT Block.....	2-35	13179290 Inner Ring.....	3-11
12085732 Upper tube clamp.....	4-27	13179291 Slewing Bearing.....	3-3
12537763 Power Supply Line.....	8-3, 8-5	13246316 Control Switch harrsss.....	8-5
12688927 Left Handle.....	5-41	13247085 hose.....	2-81
12691132 Right Handle.....	5-41	13248801 Bulldozing shovel.....	3-13
12727958 mat.....	7-5	13257814 Combination Running frame.....	3-3
12751803 clamp.....	7-15	13259638 Fuel Tank.....	7-19
12810653 damper lower backup plate.....	7-5	13260082 Fuel tank assy.....	7-15
12824424 Integrated box.....	8-5	13260463 Bucket body.....	4-39
12840728 Joint.....	2-67	13260590 bucket.....	4-19
12880634 couterweight marking.....	10-7	13262676 Shaft Sleeve.....	4-37
12966498 Outer Ring.....	3-11	13262743 Spacer.....	4-9
12966499 Plug.....	3-11	13262744 Shim.....	4-19
12983058 Cleaning Flange Cap.....	7-19	13262996 shaft.....	4-5, 4-11, 4-13
13004265 damper lower backup plate.....	5-3	13263007 shaft.....	4-9
13035936 Fix board.....	3-7	13263018 shaft.....	4-19, 4-21
13040388 butter pool seal ring.....	3-7	13263026 O Ring.....	4-19
13053059 Connector.....	2-61	13263029 shaft.....	4-15
13053233 Connector.....	2-61	13263036 shaft.....	4-3
13054811 Rubber hose.....	2-73	13263037 shaft.....	4-17
13055186 Water-out-joint.....	7-15	13263040 shaft.....	4-7
13063808 Left tooth.....	4-39	13263044 Rigid board.....	4-9
13063809 Right tooth.....	4-39	13263047 Shaft Sleeve.....	4-3
13063810 Bucket Tooth.....	4-39	13263066 Shaft Sleeve.....	4-7, 4-37
13063811 Base of Tooth.....	4-39	13263079 jiggle bar.....	4-15
13073197 pin.....	4-39	13263080 jiggle bar component.....	4-15
13080058 fixed frame.....	2-137		

13263120 Oil suction steel tube.....	2-81	13504946 Emergency Stop Switch.....	10-7
13263149 Oil suction straight tube.....	2-71	13507562 Control Insturction.....	10-7
13263188 Oil suction straight tube.....	2-81	13507565 Fan Warning.....	10-7
13263233 Connecting Rod.....	4-37	13507568 Oil-water Separator Drain Instruction.....	10-7
13264605 Steel tube assembly of arm cylinder.....	4-27	13507584 High Temperature Warning.....	10-7
13264615 Steel tube assembly of bucket cylinder.....	4-27	13507743 Read Manual.....	10-7
13264620 Steel tube assembly of bucket cylinder.....	4-27	13507746 Seat Safety Caution Board.....	10-7
13265556 Left side beam.....	6-11	13507767 Power Sign.....	10-5
13265603 Right door steel lathing.....	6-15	13507780 One Way/Two Way Valve.....	10-3
13265694 Right door welding part.....	6-15	13507819 No Open Flame.....	10-7
13266084 Left rear pillar assembly.....	6-23	13507822 Counter Rotating Rollers.....	10-7
13266096 Bridging rear Beam assembly.....	6-23	13507828 Oil Level Label.....	10-5
13266114 Right rear pillar assembly.....	6-23	13507855 Toxic.....	10-7
13266121 Front pillar assembly.....	6-23	13508176 oil return adaptor.....	2-69, 2-71
13266135 Upper cover plate component.....	6-11	13508288 Suction hose.....	2-69
13266186 Front engine hood cover.....	6-13	13509287 plate.....	2-131
13266201 Wind hook.....	6-13	13509503 Be Care of Steam.....	10-5
13266236 Left door steel lathing.....	6-21	13528968 Pipe.....	2-9
13266770 Oil Cylinder Guard Board.....	4-9	13572752 sealing sponge.....	2-137
13267201 hose.....	7-11	13603234 Front Pedal.....	5-45
13267719 connecting plate.....	7-11	13603235 Back Pedal.....	5-45
13269599 Suction hose.....	2-81	13603236 pedal assy.....	5-41
13269600 Clamp.....	2-81	13603237 Front Pedal.....	5-43
13269603 oil return block.....	2-67	13603238 Back Pedal.....	5-43
13269605 Suction hose.....	2-81	13603239 Rotating Shaft.....	5-43, 5-45
13269674 G1/2-M18-L65 Adaptor.....	2-63	13603240 pedal assy.....	5-41
13271714 left wind insulation board.....	7-11	13603244 Pedal.....	5-27
13271845 Upper wind insulation board.....	7-11	13603245 Rotating Shaft.....	5-27
13271909 higher sealing sponge.....	7-11	13603246 pendulum pedal assy.....	5-3
13271931 Right-hand sponge.....	7-11	13618983 bulldozing shovel protective sleeve.....	5-29
13271990 sponge.....	7-11	13635938 pedal protective sleeve.....	5-3
13271995 Left sealing sponge.....	7-11	13664659 front rubber cushion.....	5-3
13272001 Lower sealing sponge.....	7-11	13712953 counter weight.....	2-15
13272008 Lower part sponge.....	7-11	13717638 Support assembly.....	6-11
13272748 Hydraulic Oil Tank Indicative Board.....	10-3	13717640 Left rear pillar assembly.....	6-23
13275269 battery fixed plate.....	2-5	13717642 Right rear pillar assembly.....	6-23
13275270 guide screw.....	2-5	13717702 right rear support leg.....	7-5
13275271 battery fixed component.....	2-3	13717733 Right front support leg.....	7-5
13275284 Toolbox.....	2-7	13718129 protecting tube.....	6-21
13275305 right sealing board.....	2-17	13718351 Left rear support leg.....	7-5
13286585 Bucket Oil Cylinder.....	4-27	13718379 Left front outrigger.....	7-5
13286928 Bucket Oil Cylinder.....	4-27	13718593 Left front side beam.....	6-11
13290780 Bulldozing shovel oil cylinder.....	3-19	13718595 Connecting disc of flywheel shell.....	7-5
13296706 W51 sealer package.....	4-35	13718597 Right front side beam.....	6-11
13296746 W52 sealer package.....	4-33	13718613 prefilter sucker.....	7-15
13296750 W54 sealer package.....	3-33	13718715 prefilter sucker.....	7-15
13323350 Switch Label.....	10-3	13718732 fuel pipe.....	7-15
13328071 Lock Sleeve.....	6-11	13718739 Covering parts assembly.....	6-3
13340334 Oil Level Label.....	10-3	13718842 fuel pipe.....	7-15
13363061 lower sealing board.....	5-35	13718893 Charging Tube.....	7-11
13374574 Brace piece axial pin.....	3-5	13719015 Charging Tube.....	7-11
13411269 Lifting Mark.....	10-7	13719123 slewing device accessory.....	2-3
13447214 Protective sleeve.....	2-137	13719125 air intake rubber hose.....	7-7
13447215 Protective sleeve.....	2-137	13719304 air intake tube.....	7-7
13447217 Protective sleeve.....	2-137	13719777 Toolbox.....	2-3
13447218 Protective sleeve.....	2-137	13719781 Clamp assembly.....	7-7
13447219 Protective sleeve.....	2-137	13719823 Anchor Ear.....	7-7
13447222 sealing sponge.....	2-137	13719828 connection steel tube assembly.....	7-7
13494001 drainage tube.....	7-15	13720029 plate.....	7-15
		13720907 support.....	4-23

13721079 Right side beam	6-11	14129321 Superstructure assembly (EU CAB)	1-3
13721203 rear tube of silencer	7-7	14139073 lock	6-11
13721354 axis pin component	2-3	14142123 The deflection cylinder decals	10-5
13721356 Brace piece axial pin	2-19	14155500 SY50 Maintenance Manual	9-3
13721367 Shaft Sleeve	2-3	14155503 SY50 Operation Manual	9-3
13721397 SANY logo mark	1-3	14155504 SY50 Loading Information	9-3
13721596 Electrical assembly drawing	1-3	14175636 thermal insulation cotton	5-31
13721787 Brace piece axial pin	4-25	14175637 thermal insulation sponge	5-31
13722049 Brace piece axial pin	4-25	14175638 thermal insulation sponge	5-31
13722055 Brace piece axial pin	4-25	14175640 thermal insulation cotton	5-31
13722441 middle sealing board	5-35	14176243 sealing sponge	5-29
13722493 shaft	4-23	14176244 sealing sponge	5-29
13722667 SY50C1Y4NU attached accessories	1-3	14219752 Control Lever	5-41
13722823 spacer	4-25	14219919 Right Control Lever	5-41
13722991 plate	8-3, 8-5	14232642 Protective sleeve	7-11
13726940 Bulldozing shovel oil cylinder	2-73	14234543 sponge	7-11
13730379 lift Meter	10-3	14262171 revolving frame	2-3
13733689 sealer package	2-135	14284028 left sealing board	2-17
13774671 plate assembly	2-137	14320889 Slewing bearing oil filler mark	10-7
13792720 machine body left end marking	10-3	14350450 left rear sealing plate	2-17
13792723 machine right end marking	10-5	14351881 Sealing Sponge	5-29
13793488 left boom marking	10-3	14351882 sealing sponge	5-29
13793494 boom right marking	10-5	14351883 sealing sponge	5-29
13804264 compressor protective plate	2-9	14351884 sealing sponge	5-29
13834945 Name Plate	10-7	14351885 sealing sponge	5-29
13834946 Name Plate	10-7	14351970 left footplate	5-35
13843380 Hose tube clamp	2-79	14355728 sealing sponge	2-137
13843382 Board	2-79	14358220 thermal insulation sponge	5-31
13843383 G1/2-M22-L100 Adaptor	2-71	14358221 thermal insulation sponge	5-31
13845262 run-out footplate	5-3	14358222 thermal insulation sponge	5-31
13845264 Installation Frame	5-27	14358223 thermal insulation sponge	5-31
13846788 Steel tube assemble	4-27	14361609 sealing sponge	5-29
13846790 Steel tube assemble	4-27	14361610 sealing sponge	5-31
13847988 boom	4-3	14361611 sealing sponge	5-31
13848000 arm	4-7	14362391 rear hood sponge	6-9
13849800 Hydraulic Fuel Tank	2-131	14362392 front engine hood sponge	6-3
13850290 Oil return cap	2-131	14362393 front engine hood sponge	6-3
13850341 Hydraulic oil tank assy	2-71	14362394 right engine hood sponge	6-7
13888784 Mounting block	2-79	14362395 rear hood sponge	6-9
13901646 Track Roller	3-3	14373383 FOPS& TOPS Card	10-7
13908558 shaft	6-19	14376577 assembly weldment chassis	5-35
13908671 clapboard	6-11	14376579 pedal	5-35
13908672 clapboard	6-11	14376618 seat base	5-29
13909457 pipe nip	4-27	14377646 Left door component	6-11
13937361 Cab's harness	8-5	14377648 Left door welding part	6-21
13937377 body harness	8-3	14382488 rear hood strip	6-9
13943323 Sany Encourage Control Display	8-5	14382489 left door rubber strip	6-3
13944323 air intake tube	7-7	14382490 right door rubber strip	6-7
13944702 sponge	7-11	14403666 thermal insulation sponge	5-31
13946174 Travel device	1-3	14412686 Working Device	1-3
13964846 power line	8-3, 8-5	14416236 Decal	10-7
13966251 Power line	8-3	14416325 Decal	10-7
13992312 Drawing volume of parts SY50C1Y4NU	9-3	14426164 right door rubber strip	6-7
14042474 Accompanying tools	9-3	14444606 front hood beading	6-3
14053269 Joint	2-61	14444607 rear hood beading	6-9
14053272 electromagnetic switch fix plate	2-23	14502669 Air Spring Mounting plate I	6-25
14053317 Oil suction steel tube	2-59	14502670 Air Spring Mounting plate II	6-25
14053496 Valve rack	2-61	14503476 Assembly of rear hood	6-11
14126313 Pipe	2-9	14503478 Rear hood weldment	6-17
14126404 rear seal plate	2-17	14503481 shaft sleeve	6-19

14503482 shaft sleeve.....	6-19	60013322 Terminal Group, Type-A Battery Positive.....	8-3, 8-5
14503483 hinge of rear hood.....	6-17	60013968 Belt.....	2-9
14503842 clapboard.....	6-11	60016724 Rubber Hose.....	2-85
14504276 right sponge of rear hood.....	6-9	60017380 Butter Nozzle.....	4-3
14504277 left sponge of rear hood.....	6-9	60018110 Power supply harness.....	8-3, 8-5
14504278 plate sponge.....	6-3	60023703 Speaker.....	5-21
14504279 plate sponge.....	6-3	60023704 Antenna.....	5-21
14507304 Front engine hood.....	6-11	60023848 Safety filter element.....	7-9
14510112 Right door component.....	6-11	60023849 Primary filter element.....	7-9
14513606 Front engine hood.....	6-13	60028228 Rubber hose.....	2-73
14518249 cover plate.....	3-3	60030552 BRKT ASSY-T/PULLEY MTG.....	2-11
14530060 support frame.....	6-3	60037859 Tensioning Equipment Repairing bag.....	3-9
151005110007A Hose.....	2-87	60041792 Steel balls.....	3-11
151005160057A Rubber Hose Assembly.....	3-15	60041809 Spherical separators.....	3-11
151005160058A Hose.....	2-75	60041997 Accessories Box.....	9-3
151005160059A Hose.....	2-75	60042187 Tensioning Equipment Spring.....	3-9
151005160060A Hose.....	2-91	60047540 Circular Taper Pin With Inner Screw Thre.....	3-11
151005160061A Hose.....	2-93	60050766 Contact Module.....	8-5
151005160079A Hose AS.....	4-29	60052626 Ashtray.....	5-21
151005160080A Hose AS.....	4-31	60052666 Safety Hammer.....	5-19
160102020009B Engine.....	7-3	60056554 Hot water adaptor.....	2-11
21002815 Fitting.....	2-27	60060546 Washer.....	2-17, 6-3, 6-13
21011029 Pipe connector.....	2-63, 2-65	60060548 Washer.....	2-19, 4-25, 5-3, 6-3, 7-11
21011030 Fitting, Adapter, Flange.....	2-59	60060562 Washer.....	5-41
21011540 Pipe Connector.....	2-27	60060564 Washer.....	2-9
21017994 Choke Plug.....	4-31	60060565 Washer.....	5-35
21019042 O-ring.....	2-53	60072195 Oil Return Filter.....	2-131
21020116 Plug.....	4-31	60077849 Cover of watering opening.....	7-13
21033043 Rubber hose.....	2-83	60078542 Rear hood gas spring.....	6-3
23000063 Screw.....	4-27	60082841 Screw Plug.....	2-49
23000066 Screw.....	2-71, 2-81	60083322 Clamp.....	8-9
23000169 Nut.....	2-9	60086353 Wire Clamp.....	8-9
23000434 Rubber Hose.....	2-87	60086354 Clamp.....	8-9
23000531 Fitting.....	4-7	60086355 Clamp.....	2-9, 8-9
23001922 O-ring.....	2-21	60086356 Harness Fixed Frame.....	8-9
23904681 Pipe Connector.....	2-21, 2-23, 2-27, 2-31, 2-33, 2-35, 2-37	60086357 Clamp.....	8-9
23905361 Rubber Hose.....	2-25	60089515 Retainer Ring.....	3-9
23905413 Rubber Hose.....	2-25	60089534 Dust Ring.....	3-9
23991025 Rubber Hose.....	2-137	60089535 Wear-proof rong.....	3-9
24000511 Washer.....	2-131, 4-27, 7-19	60089536 Wear-proof rong.....	3-9
24000512 Washer.....	2-79, 2-131, 4-27	60089537 seal ring.....	3-9
24000528 Bolt.....	6-21	60089894 DOUBLE BREAK-OFF PLUG.....	2-95
24000632 Washer.....	2-9, 2-33, 2-37, 2-39, 2-41, 2-71, 2-75, 2-137, 4-31, 6-3, 6-17, 7-15	60089919 LOCKING SCREW.....	2-95
24000633 Washer.....	2-9, 2-23, 2-25, 2-31, 2-35, 2-61, 2-67, 2-131, 3-3, 3-7, 4-27, 5-3, 5-35, 5-41, 6-5, 6-7, 6-13, 6-17, 6-21, 7-7, 7-11, 7-15, 7-19	60099417 Rubber hose.....	2-85
24000637 Washer.....	2-7, 2-9, 2-137, 6-3, 6-25, 7-5, 7-7, 7-11, 7-15	60101299 Rubber hose.....	2-83
24000639 Washer.....	2-9	60114706 air cleaner.....	7-7
24002251 Screw.....	2-9	60114799 Pressure Sensor.....	2-21
250902030057A Bucket Oil Cylinder.....	4-29	60118026 Plug.....	2-131
29010015 O-ring.....	2-45	60120208 Rubber Hose.....	2-37
60001289 Fire Extinguisher.....	5-19	60120210 Rubber Hose.....	2-29, 2-33
60001295 Socket.....	9-5	60120212 Rubber Hose.....	2-39
60004647 Pipe connector.....	2-67	60120213 Rubber Hose.....	2-25
60012591 Pin.....	3-11	60120216 Rubber Hose.....	2-39
60013321 Terminal Group, Type-A Battery Negative.....	8-3, 8-5	60120218 Rubber Hose.....	2-41
		60123506 Main Cartridge of Air Cleaner.....	9-3
		60129465 Shaft seal.....	2-95
		60129665 Pilot-control Valve.....	2-27
		60136966 Pipe Connector.....	2-27, 2-35
		60140964 Pipe Connector.....	2-35

60141820 Cross recessed pan head tapping screws.....	2-49	60164250 RING.....	2-127
60143661 Headlight.....	8-7	60164251 STEEL PLATE.....	3-25
60146932 Rubber Hose.....	2-35	60164253 RETAINER.....	2-123
60147943 Plug.....	2-49	60164254 THRUST WASHER.....	2-127
60149606 Clamp.....	7-11	60164255 THRUST WASHER.....	2-127
60151466 Rubber Hose.....	2-91	60164256 THRUST WASHER.....	2-127
60153654 Support, Right.....	9-7	60164257 SPACER.....	3-29
60153665 Support, Left.....	9-7	60164258 SPACER.....	3-29
60153693 Latch.....	9-7	60164261 Plug.....	3-31
60153697 Handle.....	9-7	60164262 PLUG.....	3-25
60153713 Footing.....	9-7	60164268 PLUG.....	2-123
60153777 Upper Cover.....	9-7	60164269 PLUG.....	3-29
60153827 Tray.....	9-7	60164270 CAP.....	2-125
60164146 CARRIER 2.....	2-127	60164271 PLUG.....	3-29
60164150 CARRIER 1.....	2-127	60164275 SEAT.....	2-125
60164151 CARRIER 1 KIT.....	2-127	60164276 SEAT.....	3-29
60164152 CARRIER 2 KIT.....	2-127	60164284 RETAINER.....	3-29
60164157 CYLINDER BARREL.....	2-123	60164289 PISTON.....	3-29
60164159 Ball.....	3-25	60164292 DISK PLATE.....	3-25
60164163 STEEL PLATE.....	2-123	60164300 SNAP RING.....	2-127
60164164 DISK PLATE.....	2-123	60164301 SNAP RING.....	2-127
60164165 SHOE HOLDER.....	2-123	60164305 BODY.....	2-127
60164171 SHOCKLESS RELIEF VALVE.....	3-25, 3-29	60164310 Screw.....	2-127
60164173 CHECK VALVE.....	2-123	60164311 SCREW.....	3-25
60164175 BODY.....	3-29	60164313 BARAKE PISTON.....	3-25
60164176 RETAINER.....	2-125	60164317 VALVE PLATE.....	2-123
60164183 POPPET.....	2-125	60164320 BARREL HOLDER.....	2-123
60164184 PISTON.....	2-125	60164322 Pin.....	2-123
60164185 POPPET.....	3-29	60164326 PIN.....	2-123
60164187 RELIEF VALVE.....	2-123	60164327 PIN.....	2-127
60164197 BEARING.....	2-123	60164328 PIN.....	2-123
60164198 BEARING.....	2-123	60164329 Pin.....	3-25
60164200 BEARING.....	3-25	60164330 PINION SHAFT.....	2-127
60164202 BEARING.....	2-127	60164332 SWASH PLATE.....	2-123
60164203 BEARING.....	2-127	60164333 SWASH PLATE KIT SUN ASSY.....	2-123
60164205 B1 GEAR.....	2-127	60164334 RETALNER.....	3-25
60164207 B2 GEAR.....	2-127	60164335 PLATR S.....	2-123
60164209 S1 GEAR.....	2-127	60164336 Kit, Seal.....	2-123
60164211 NEEDLE.....	2-127	60164340 BACK UP RING.....	2-125
60164212 NEEDLE.....	2-127	60164341 BACK UP RING.....	3-29
60164213 S2 GEAR.....	2-127	60164344 BACK UP RING.....	3-25
60164214 REDUCTION GEAR SUN ALLY.....	2-127	60164345 BACK UP RING.....	3-25
60164215 A INTERNAL GEAR.....	2-127	60164350 THRUST PLATE.....	2-127
60164220 FILTER.....	2-123	60164355 BRAKE PISTON.....	2-123
60164222 SPRING C.....	2-123	60164358 PISTON ASSY.....	2-123
60164223 BODY H.....	2-123	60164373 O RING.....	3-31
60164224 BODY J KIT SUN ASSY.....	2-123	60164374 O RING.....	2-121, 2-127, 2-129
60164225 Kit, seal.....	2-125	60164376 Screw.....	2-123, 3-25
60164226 SHAFT.....	3-25	60164377 O RING.....	2-121, 2-123, 2-129, 3-25
60164227 SHAFT.....	2-123	60164378 O-ring.....	2-121, 2-123, 2-129, 3-25
60164228 SHAFT SUB ASSY.....	3-25	60164379 O-ring.....	2-121, 2-123, 2-129, 3-25
60164231 SPRING B.....	3-25	60164380 O-ring.....	2-125, 2-129, 3-27, 3-31
60164232 SPRING B.....	2-123	60164381 O-ring.....	2-125, 2-129, 3-29
60164234 SPRING.....	2-123	60164383 O RING.....	3-29
60164238 SPRING.....	2-125	60164384 O-ring.....	2-125, 2-129
60164239 SPRING.....	3-29	60164385 O-ring.....	2-125, 2-129
60164243 SPRING PIN.....	2-123	60164386 O-ring.....	3-25, 3-29
60164244 SPACER.....	2-125	60164387 O-ring.....	3-27, 3-31
60164245 STOPPER.....	3-29	60164388 O RING.....	3-29
60164246 SPRING GUIDE.....	3-29	60164389 O RING.....	3-29
		60164392 RING SEAL.....	2-121, 2-127, 2-129

60164393 OIL SEAL.....	2-121, 2-127	60215507 Fuse.....	8-11
60164396 RING 2.....	2-127	60215508 Fuse.....	8-11
60164398 RING 1.....	2-127	60215509 Fuse.....	8-11
60166393 Split Flow Gear Pump.....	2-9	60215510 Fuse.....	8-11
60166732 Water Spraying Nipple.....	5-15	60215653 Intermediate Relay.....	8-11
60166735 Pin Rail.....	5-19	60215655 Intermediate Relay.....	8-11
60166737 Support of rearview mirror (1).....	5-25	60215890 clip.....	2-13
60166738 Support of rearview mirror (2).....	5-25	60215891 resistor assy.....	2-13
60166748 rearview.....	5-5	60216954 S2 GEAR.....	3-31
60167120 THRUST PLATE.....	2-127	60216963 SNAP RING.....	3-31
60167123 SNAP RING.....	2-127	60216971 BODY.....	3-25
60167124 SNAP PING.....	2-123	60216973 Control piston.....	3-25
60167135 O RING.....	3-29	60216975 OIL SEAL.....	3-25
60167638 centerswiveljoint.....	3-15	60216977 O-RING.....	3-25
60167908 Filtercore.....	2-131	60216998 BODY ASSEMBLY.....	3-25
60171541 Plug.....	2-47	60218598 Ignition Switch.....	8-5
60171550 Retaining Ring.....	2-47	60221097 Flange.....	2-55, 2-57
60171551 Retaining ring.....	2-55, 2-57	60221098 Soffietto Circolare.....	2-55, 2-57
60171553 Retaining ring.....	2-55, 2-57	60221100 SPRING.....	2-55, 2-57
60171567 Steel Ball.....	2-47	60221102 BUSHING.....	2-55, 2-57
60171572 Body of Valve.....	2-49	60222964 Pump Body.....	2-95
60171579 Body of Valve.....	2-55, 2-57	60222965 CONTROL VALVE.....	2-95
60171582 Spool.....	2-49	60222967 LOCKING SCREW.....	2-95
60171583 Spool.....	2-55, 2-57	60222968 STOP SCREW.....	2-95
60171597 Spool Guide.....	2-47	60222969 NUT.....	2-95
60171613 Spring.....	2-49	60222970 CAP NUT.....	2-95
60171614 Spring.....	2-49	60222971 O-RING.....	2-95
60171619 Spring.....	2-55, 2-57	60222972 ROTARY GROUP.....	2-95
60171644 Fixed Plate.....	2-47	60222973 PRESSURE SPRING.....	2-95
60171656 Screw.....	2-47	60222974 STOP.....	2-95
60171658 Nameplate.....	2-49	60222975 PUMP HOUSING.....	2-95
60171672 Push Rod ASSY.....	2-47	60222976 PORT PLATE.....	2-95
60171675 Pin.....	2-47	60222977 SCHWENKWIEGE.....	2-95
60171676 Pin.....	2-47	60222978 DRIVE SHAFT.....	2-95
60171686 Plunger ASSY.....	2-49	60222979 SPRING.....	2-95
60171687 Plunger AS.....	2-55, 2-57	60222980 ADJUSTMENT SHIM.....	2-95
60171688 Protective Sleeve.....	2-47	60222981 STOP RING.....	2-95
60174894 Filter, hydraulic tank breather.....	2-133	60222982 TAPERED-ROLLER BEARING.....	2-95
60175301 Pipe Connector.....	2-39	60222983 TAPERED-ROLLER BEARING.....	2-95
60176726 Dust Ring.....	4-17	60222984 FLAT HEAD SCREW.....	2-95
60180748 Plug.....	7-9	60222985 O-RING.....	2-95
60190276 SENSOR ASS'Y-EVAP.....	2-13	60222986 SEAL RING.....	2-95
60190637 Battery.....	8-3, 8-5	60222987 RETAINING RING.....	2-95
60195980 Alarm Pressure.....	7-7	60222988 SOCKET-HEAD SCREW.....	2-95
60199495 seals.....	3-11	60222990 ROTARY GROUP.....	2-95
60202078 Cluster Fixed Lace.....	8-5	60222991 CONTROL PLATE.....	2-95
60202193 Pipe Connector.....	3-19	60222992 PISTON.....	2-95
60202700 Tensioning Equipment Refiller Valve.....	3-9	60222993 CYLINDER.....	2-95
60202895 Hose Clamp.....	7-11	60222994 RETAINING PLATE.....	2-95
60202896 Hose Clamp.....	7-15	60222995 RETAINING BALL.....	2-95
60206741 Fuel Sensor.....	7-19	60222996 SPRING.....	2-95
60207478 Rubber hose.....	2-83	60222997 PRESSURE PIN.....	2-95
60207479 Rubber hose.....	2-85	60222998 SEEGER-V-RING.....	2-95
60207483 Hose.....	2-21	60222999 BACK-UP PLATE.....	2-95
60208141 The Fixity of Line.....	2-9	60223376 Left armrest box assembly.....	5-29
60211330 Filter.....	2-25	60225215 Bonnet Lock.....	6-17
60211509 Horn.....	8-3, 8-5	60225885 Screw.....	2-67
60212612 Dc Contactor.....	8-3	60232041 cab.....	5-3
60212661 Damping pad.....	7-5	60236398 Damper.....	5-3
60215505 Fuse.....	8-11	60236399 Damper.....	5-3
60215506 Fuse.....	8-11	60236996 Knob switch.....	8-5

60237031 Breather Valve.....	2-71	60248570 left inner plaque.....	5-23
60237043 Alarm lamp.....	8-7	60248571 Decoration Plate of Lock.....	5-7
60238623 Rubber Sleeve.....	2-55, 2-57	60248575 Handle Indoor.....	5-7
60240240 rubber hose.....	2-29, 2-33	60248576 roller of front window.....	5-11
60240242 rubber hose.....	2-31, 2-37	60248578 Gas Spring.....	5-13
60240503 Clamp.....	7-11	60248579 door assembly.....	5-9
60242100 CONTROL UNIT.....	2-11	60248580 front window frame.....	5-11
60242101 COMPRESSOR ASSY.....	2-11	60248581 front window assembly.....	5-9
60242102 CONDENSER ASSY.....	2-11	60248582 cigarette lighter.....	5-17
60242103 RECEIVER DRIER ASSY.....	2-11	60248583 plastic cover of windscreen wiper.....	5-15
60242108 WIRE HARNESS ASSY-EXT.....	2-11	60248585 top thermal insulation sponge.....	5-17
60242109 Wire harness assy-ext.....	2-11	60248586 Pintle of Top Thermal Insulation Sponge.....	5-17
60243802 rubber hose.....	2-87	60249819 Screw.....	2-33, 2-37, 2-39, 2-41, 7-15
60244178 Clamp Spring.....	2-69, 2-71	60250079 Journey Switch.....	5-33
60244897 Plug.....	3-21	60252515 rubber hose.....	4-27
60244898 O-ring.....	3-21	60252518 rubber hose.....	3-19, 4-31
60244899 Rotary shaft.....	3-21	60255796 RubberHose.....	2-27
60244900 Conical plug.....	3-21	60257618 cover assembly.....	7-9
60244901 O-ring.....	3-21	60257619 body assembly.....	7-9
60244902 Rotary sealing ring.....	3-21	60257620 vacuator valve.....	7-9
60244903 Dust Ring.....	3-21	60259205 Nut.....	2-55, 2-57
60244904 Revolving body.....	3-21	60259919 Left Armrest Box Upper Cover.....	5-33
60244905 Baffle.....	3-21	60259920 Upper Cover Anchor.....	5-33, 5-37
60244906 Bolt.....	3-21	60259921 Left Armrest Box Right Shell.....	5-33
60244907 O-ring.....	3-21	60259922 Left Armrest Box Left Shell.....	5-33
60244908 End cover.....	3-21	60259923 Hand Rail Limit.....	5-33, 5-37
60244909 Standard spring washers.....	3-21	60259924 Handle.....	5-33
60244910 Hexagon bolt.....	3-21	60259925 Handle Lever.....	5-33
60244911 Swivel Joint Repair Kit.....	3-21	60259927 Hand Rail.....	5-33, 5-37
60246980 Ball Valve.....	2-75, 4-31	60259930 Right Armrest Box Left Shell.....	5-37
60248532 sealing rubber strip of front window.....	5-9	60259931 bulldozing shovel handle.....	5-37
60248533 lower rubber strip of front window.....	5-11	60259936 Right Armrest Box Upper Cover.....	5-37
60248535 Sealing Rubber Strip of Door.....	5-7	60259937 Right Armrest Box Right Shell.....	5-37
60248537 sealing rubber of front-lower glass.....	5-9	60262326 rubber hose.....	2-29, 2-31
60248538 glass of front window.....	5-11	60262327 rubber hose.....	2-33, 2-39
60248539 front-lower glass.....	5-5	60262328 rubber hose.....	2-37, 2-39, 2-41
60248540 right side glass.....	5-5	60262329 rubber hose.....	2-37, 2-41
60248541 left-back side glass.....	5-5	60262330 rubber hose.....	2-41
60248542 back glass.....	5-5	60266025 Reducer assembly repair kit.....	2-121
60248543 top glass.....	5-5	60270116 Rubber Hose.....	2-29
60248544 Top Glass of Door.....	5-7	60273382 Expansion valve.....	2-13
60248545 Bottom Glass of Door.....	5-7	60279434 exhaust hose assembly.....	2-11
60248546 Sliding Window of Door.....	5-7	60279435 Suction hose assembly.....	2-11
60248547 Lock of Front Window(Left).....	5-13	60279436 outlet tube assembly of condenser.....	2-11
60248548 Lock of Front Window(Right).....	5-13	60279437 outlet tube assembly of drying bottle.....	2-11
60248549 Lock Handle from Outside.....	5-7	60280805 Radiator.....	7-13
60248550 Lock of Door.....	5-7	60280806 Radiator.....	7-13
60248551 Lock Catch of Door.....	5-7	60280917 nut.....	3-9
60248553 saucer.....	5-19	60280920 body cylinder.....	3-9
60248555 Wall Lamp.....	5-23	60280921 mandrel.....	3-9
60248556 front defroster outlet.....	5-21	60281353 Bearing.....	3-9
60248560 windscreen wiper assembly.....	5-13	60281354 Spring seat.....	3-9
60248561 wiper arm.....	5-15	60281431 Proportional Electromagnetic Valve.....	2-31
60248562 wiper motor.....	5-15	60281974 Pilot-control Valve.....	2-33, 2-37
60248563 screen cover of front control box.....	5-21	60282632 right armrest boxes assembly.....	5-29
60248564 inner plaque of front control box.....	5-21	60290359 Valve Pocket.....	2-53
60248565 inner plaque of front control box.....	5-21	60290360 Spool.....	2-53
60248566 decoration plate for filter core.....	5-21	60290361 Spring Washer.....	2-53
60248567 right-back inner plaque.....	5-21	60290362 Spring.....	2-53
60248568 horn cover.....	5-17	60290363 Spring.....	2-53
60248569 back inner plaque.....	5-19		

60290364 Seat	2-53	60348929 Drain oil	9-3
60290365 Washer	2-53	60351658 Reducer assembly Repair kit	3-23
60290366 Steel-wire Retainer Ring	2-53	60351659 Body	3-31
60290367 Piston Rod	2-53	60351660 Cover	3-31
60290368 Copper Sleeve	2-53	60351661 Carrier 2	3-31
60290369 U Ring	2-53	60351662 B1 gear	3-31
60290370 Pin	2-53	60351663 B2 gear	3-31
60290371 Seat	2-53	60351664 S1 gear	3-31
60290372 Swing Holder	2-53	60351665 Ring	3-31
60290373 Screw	2-53	60351666 Ring	3-31
60291757 CYLINDER PIN	2-95	60351667 Thrust washer	3-31
60292211 Left Armrest Box Framework	5-33	60351668 O Snap ring	3-31
60306443 Rocker Switch	5-37	60351669 Thrust washer	3-31
60306446 Rocker Switch	5-37	60351670 Thrust plate	3-31
60306447 Rocker Switch	5-37	60351671 Thrust plate	3-31
60306621 Radiator	7-11	60351672 Float seat	3-31
60306668 rubber belt track	3-3	60351673 O ring	3-31
60307172 Fuel filter assembly	7-15	60351674 Bearing	3-31
60307173 Fuel Filter	7-17, 9-3	60351675 Needle	3-31
60309855 Gas Spring	5-33	60351676 Needle	3-31
60310282 Water Jet ASSY	5-15	60351677 Slide ring	3-31
60310752 Limited pole of glass	5-5	60351678 Snap ring	3-31
60317867 Seal kit between elements	2-97, 2-99, 2-101, 2-103, 2-105, 2-107, 2-109, 2-111, 2-113, 2-115, 2-117, 2-119	60351679 Snap ring	3-31
60317877 screw assembly	2-97	60351680 Snap ring	3-31
60317880 plug	2-99	60351681 Thrust washer	3-31
60317881 plug	2-99	60351682 Plug	3-31
60317882 Flow regulator	2-99	60351684 Thrust washer	3-31
60317883 LS Relief Valve	2-99	60351685 Body sub assy	3-31
60317884 shield	2-99	60351686 Carrier 2 sub assy	3-31
60317886 Washing Valv	2-99	60351687 Cylinder barrel	3-25
60317887 End cover	2-115, 2-117, 2-119	60351688 Valve plate	3-25
60317889 Secondary Relief Valve	2-101, 2-109, 2-111, 2-115, 2-117, 2-119	60351689 Piston assy	3-25
60317890 One-Way Valve	2-101, 2-107, 2-109, 2-111, 2-113, 2-115, 2-117, 2-119	60351690 Shoe holder	3-25
60317894 pressure compensation	2-101, 2-103, 2-105, 2-107, 2-109, 2-111, 2-113, 2-117	60351691 Barrel holder	3-25
60317896 pressure compensation	2-119	60351692 Swash plate	3-25
60317898 plug	2-103, 2-105	60351693 Pin	3-25
60317901 Orifice Of Travel Valve	2-105	60351694 Spring C	3-25
60323298 Rubber Hose	2-31, 2-33	60351695 Retainer	3-25
60323299 Rubber hose	2-89	60351696 Bearing	3-25, 3-27
60328542 Back lock handle	5-23	60351697 Snap ring	3-25
60328543 handle plastic cover	5-23	60351698 Spring pin	3-25, 3-27
60328544 new back lock	5-23	60351699 O ring	3-25
60328545 new back lock rubber cover	5-23	60351700 Body 1	3-27
60328546 back water-proof rubber strip	5-11	60351701 Spool	3-27
60332524 Rubber Hose	2-29	60351702 Check Valve	3-27
60332525 rubber hose	2-29	60351703 Spring guide	3-27
60334764 Reducer assembly	3-17	60351704 Spool	3-27
60336531 Filter fuel oil	9-3	60351705 Spool B	3-27
60337293 grease fitting	3-9	60351706 Spool C	3-27
60338982 Clamp	7-11	60351707 Shuttle spool	3-27
60338983 Hose clamp	7-11	60351708 Spring V1	3-27
60341344 Middle Column Handle	5-23	60351709 Spring V2	3-27
60342181 Electromagnetic reversal valve	2-23	60351710 Spring V3	3-27
60344874 Heater core	2-13	60351711 Plug	3-27
60344876 Blower motorbracket	2-13	60351712 Plug	3-27
60344877 Wire	2-13	60351713 Plug	3-27
		60351714 Choke	3-27
		60351715 Ring	3-27
		60351716 Plug	3-27
		60351717 O ring	3-27
		60351718 O ring	3-27

60351719 Choke.....	3-27	61025012 Spool.....	2-109
60351720 Body 1 sub assy.....	3-27	61025013 Spool.....	2-111
60351721 Cylinder barrel sub assy.....	3-25	61025014 Spool.....	2-113
60352305 Pilot valve.....	2-39	61025015 Spool.....	2-117
60352306 Pilot valve.....	2-41	61025016 Spool.....	2-115
60355379 Fuel Tank Cap.....	7-19	61025017 Spool.....	2-119
60358469 Flanging coupling.....	7-5	61025254 Bolt, Socket Head.....	2-51
60358584 Multiple valve.....	2-61	61025255 Solenoid Valve.....	2-51
61005352 Base.....	7-17	61025256 Valve Block.....	2-51
61005353 Block Assembly.....	7-17	61026661 Connector.....	2-55, 2-57
61005354 Bolt.....	7-17	61026662 Handle.....	2-55
61005355 Spacer.....	7-17	61026663 Handle.....	2-57
61005356 Drainage Cover.....	7-17	61026664 Connecting rod.....	2-55, 2-57
61005357 Seal Washer.....	7-17	61026665 Nut.....	2-55, 2-57
61005358 X-ring.....	7-17	61026666 Universal joint.....	2-55, 2-57
61005359 Water Level Alarm.....	7-17	61026667 Joint.....	2-55, 2-57
61007909 Plunger pump.....	2-59	61026668 Repair Kit,Handle.....	2-55
61016944 Mhste Housing.....	2-43	61026669 Repair kit,handle.....	2-57
61016945 Electromagnetic valve.....	2-43	61027184 Port relief valve.....	2-113
61016946 Coil.....	2-43	61027185 Compensation with plug.....	2-115
61016947 Accumulator.....	2-43	61027186 Plug,G1/2.....	2-99
61016948 Accumulator connector.....	2-43	61027187 End cover.....	2-115, 2-117, 2-119
61016949 O-Ring.....	2-43	61027188 End cover.....	2-101, 2-103, 2-105, 2-109, 2-111, 2-113
61016950 Ball.....	2-43	61027189 End cover.....	2-101, 2-103, 2-105, 2-109, 2-111, 2-113
61016951 Spring.....	2-43	61027191 End cover.....	2-107
61016952 O-Ring.....	2-43	61027192 End cover.....	2-107
61016953 Plug.....	2-43	61027193 Damping plug.....	2-115, 2-119
61016954 Reducer spool.....	2-43	61027194 Kit,seals.....	2-115, 2-117, 2-119
61016955 Reducer hosing.....	2-43	61027195 Kit,seals... 2-101, 2-103, 2-105, 2-107, 2-109, 2-111, 2-113	
61016956 Cone.....	2-43	61030659 Radio.....	8-5
61016957 O-Ring.....	2-43	61030875 Hose.....	2-91
61016958 Spacer.....	2-43	61031165 Case front.....	2-13
61016959 Spring.....	2-43	61031166 Case rear.....	2-13
61016960 Plug.....	2-43	61031167 Case rh.....	2-13
61016961 Spring.....	2-43	61031168 Cover pipe.....	2-13
61016962 Spacer.....	2-43	61031169 Case.....	2-13
61016963 Plug.....	2-43	61031170 Case.....	2-13
61016964 Oil source valve repair kit.....	2-43	61031171 Cover.....	2-13
61017618 Air conditioning assembly.....	2-9	61031172 Evaporator.....	2-13
61017789 HVAC.....	2-11	61031173 Case Blower Motor Support.....	2-13
61017826 Control valve.....	2-95	61031174 Filter.....	2-13
61017827 Pump maintenance package.....	2-95	61031175 Cover Filter.....	2-13
61020080 Inlet section assy.....	2-97	61031176 Drain Hose.....	2-13
61020081 Dozer blade section assy.....	2-97	61031177 Drain Hose.....	2-13
61020082 Travel section assy.....	2-97	61031178 Clip.....	2-13
61020083 Travel section assy.....	2-97	61031179 Lining.....	2-13
61020084 Slew section assy.....	2-97	61031180 Lining.....	2-13
61020085 Boom swing section assy.....	2-97	61031181 Lining.....	2-13
61020086 Aux2 section assy.....	2-97	61031182 Clip.....	2-13
61020087 Aux1 section assy.....	2-97	61031183 Clip.....	2-13
61020088 Arm section assy.....	2-97	61031185 Valve.....	2-11
61020089 Buc section assy.....	2-97	A21011000015 Bolt.....	4-5
61020090 Boom section assy.....	2-97	A210110000253 Bolt.....	2-9
61020091 Final block.....	2-97	A210110000323 Bolt.....	5-3
61020092 Repair package for main valve.....	2-97	A210110000330 Bolt.....	2-15
61022234 rubber hose.....	2-21	A210110000384 Bolt M12×110GB5782 Grade 10.9.....	4-23
61022235 rubber hose.....	2-25	A21011000011 Bolt.....	4-9
61022402 Master Switch of Power Supply.....	8-3, 8-5		
61025009 Spool.....	2-101		
61025010 Spool.....	2-103, 2-105		
61025011 Spool.....	2-107		

A210111000012 Bolt	2-7, 2-17, 2-61, 3-5, 3-7, 6-3, 6-17, 7-11	A210307000055 Nut	7-7
A210111000018 Bolt	6-23	A210401000001 Washer	4-9
A210111000024 Bolt	2-17, 6-25, 7-5, 7-15	A210404000003 Washer	2-5, 6-23, 8-9
A210111000027 Bolt	6-23	A210404000004 Washer	5-3
A210111000039 Bolt	5-3	A210404000009 Washer	8-5
A210111000079 Bolt	2-9, 2-71, 6-17, 8-5	A210405000001 Washer	2-137
A210111000089 Bolt	5-29	A210405000003 Washer	4-3
A210111000092 Bolt	5-41	A210405000004 Washer	5-35, 6-15, 6-21, 8-3
A210111000101 Bolt	2-137	A210405000005 Washer	8-3
A210111000127 Bolt	5-3	A210405000007 Washer	5-29, 8-9
A210111000195 Bolt	8-9	A210405000011 Washer	6-23
A210111000197 Bolt	2-9, 2-137, 3-15, 7-7	A210414000003 Retainer Ring	2-53
A210111000199 Bolt	2-19, 3-7, 4-25	A210414000011 Retainer Ring	5-27, 5-43, 5-45, 6-19
A210111000202 Bolt	2-9, 2-71	A210491000007 Pin	6-7, 6-13
A210111000203 Bolt	7-11	A210491000118 Washer	2-63, 3-3, 7-5, 7-15
A210111000204 Bolt	3-3, 6-3	A210491000120 Washer	2-23, 2-27, 2-61, 2-71, 2-79, 2-81, 2-131, 3-5, 3-7, 3-15, 6-17
A210111000208 Bolt	4-39	A210491000121 Washer	2-59, 2-71, 3-3, 3-7
A210111000209 Bolt	3-3	A210491000122 Washer	2-15
A210111000210 Bolt	7-5	A210491000144 Washer	3-3
A210111000212 Bolt	3-5	A210608000007 O-ring	2-53
A210111000215 Bolt	3-3	A210608000018 O-ring	2-131
A210111000216 Bolt	3-3	A210608000046 O-ring	2-21
A210111000227 Bolt	4-3	A210608000073 O-ring	2-49
A210111000243 Bolt	3-3	A210609000095 O-ring	2-49
A210111000293 Bolt	5-3, 7-7, 8-9	A210609000132 O-ring	2-45
A210111000342 Bolt	2-61, 6-17, 7-7, 7-19	A210609000133 O-ring	2-45
A210111000343 Bolt	2-9, 2-131, 3-3, 3-7, 5-35, 6-5, 6-13, 7-11, 7-15	A210609000273 O-ring	7-19
A210111000347 Bolt	3-3	A210804000002 Fitting, Grease	2-137, 3-5, 4-7, 4-15
A210111000442 Bolt	3-3	A210855000024 Clamp	2-81
A210199000016 Articulated Bolt	7-15	A220401000334 One-Way Valve	2-71
A210204000115 Screw	8-3	A222100000119 Pilot Hydraulic Oil Filter	2-45
A210204000131 Screw	6-3	A222200000093 Door lock	6-13
A210204000134 Screw	2-53	A229900000882 Valve	7-15
A210204000147 Screw	5-29	A229900001398 Rear-view Mirror ASSY	5-25
A210204000172 Screw	2-137	A229900002031 T-clamp	7-7
A210204000179 Screw	2-35	A229900002163 leading wheel 135MA-Y	3-3
A210204000181 Screw	5-25	A229900003104 T-clamp	7-7
A210204000196 Screw	2-23, 2-27	A229900004668 Tensioning Equipment	3-3
A210204000203 Screw	2-63	A229900004825 Liquid Reserve Tank	7-11
A210204000218 Screw	2-75, 4-31	A229900005283 Driving wheel	3-3
A210204000220 Screw	2-23, 2-25	A229900008230 Right Lower Fixed Block 70×20×23	5-9
A210204000271 Screw	2-31	A229900008231 Left Lower Fixed Block 70×20×23	5-9
A210204000334 Screw	2-9, 7-11, 7-15	A229900010158 Oil Cup	3-11
A210204000335 Screw	2-79	A230101000323 seal ring	3-5
A210204000337 Screw	7-15	A230102000054 Elastic pad of radiator SY60.1.3.3-11	7-11
A210204000354 Screw	2-59, 2-131	A239900000065 Nylon Belting	2-9
A210204000356 Screw	4-27, 7-5	A239900000687 Nylon bandage	7-15
A210204000358 Screw	2-79	A240700000548 Pressure Relay	2-27
A210210000030 Screw	5-35, 5-41, 8-3	A241300000059 Fuse Housing	8-3
A210307000001 Nut	5-3	A250100000174 Liquid Level Thermometer	2-131
A210307000002 Nut	4-39	A260401010025 Socket	9-5
A210307000012 Nut	5-3, 5-29, 5-41	A260401010027 Socket	9-5
A210307000014 Nut	6-15, 6-21, 8-3	A260401010029 Sleeve 34×20GB3390.1-04	9-5
A210307000015 Nut	2-53	A260401010051 Sleeve	9-5
A210307000017 Nut	2-5, 6-11	A260401010063 Socket	9-5
A210307000028 Nut	7-5	A260401010092 Connecting Rod	9-5
A210307000031 Nut	4-5, 4-23	A260401020004 Wrench, Allen	9-5
A210307000036 Nut	6-3, 7-11		

A260401020009 Wrench, Allen	9-5	B210780000170 Three Way Combination Joint	2-21, 2-27, 2-35
A260401020010 Wrench, Allen	9-5	B210780000172 Fitting	3-15
A260401020011 Wrench, Allen 8Rg5356	9-5	B210780000176 Fitting	2-21, 2-23, 2-35
A260401030005 Spanner, Double-ended	9-5	B210780000179 Fitting	4-31
A260401030007 Spanner, Double-ended	9-5	B210780000180 Fitting	2-61
A260401030028 Double Open-end Wrench	9-5	B210780000244 Split Flange	2-59
A260401030100 Wrench, Box End	9-5	B210780000413 Tee Joint	2-63
A260401040004 Spanner, Adjustable	9-5	B210780000418 Fitting, Elbow	2-21, 2-23, 2-27, 2-35
A260401090010 Wrench Ratchet	9-5	B210780000421 End Straight Connector	2-61
A290000000155 Toolbox, portable	9-5	B210780000587 Fitting, Adapter	2-21
A810312110118 Roll, pin	3-5	B210780000823 Fitting	2-21, 2-23, 2-31, 2-33, 2-35, 2-37
A810502019056 Set Screw	6-3, 6-11	B210780000827 Connector Pipe	2-25
A820101117871 Cover	2-137	B210780001045 Fitting	2-21, 2-27
A820101322531 Lamp Bracket	4-3	B220400000169 Valve, Shuttle, Tee	2-27
A820101343428 Cover Plate	3-7	B222100000201 Fuel Filter (Excavator)	7-19
A820101343429 Shim	3-7	B222100000686 Oil filter	9-3
A820102010781 Spacer	3-5	B229900003909 Sensor adaptor of air cleaner	7-7
A820102010782 Spacer	3-5	B229900005731 Reducer assembly	2-63
A820202004034 Bush	3-5	B230101000047 O-ring	2-27, 3-15, 3-17
A820202005473 Clamp, pipe, rubber	2-79	B230101000049 O-ring	2-53, 2-63, 2-65, 3-15, 3-19
A820205000844 Fitting	3-15, 3-17	B230101000050 O-ring	2-67, 2-69, 2-71
A820205000858 Fitting	2-137, 4-5	B230101000090 O-ring	2-63, 2-65, 2-67, 2-71, 2-73, 2-77, 2-131, 3-15, 3-17, 4-27, 4-29
A820205000944 Relay Adaptor	2-27	B230101000356 O-ring	7-19
A820205001061 Pressure Sensor Connector	2-21	B230101000366 O-ring	2-59
A820205002389 G3/8-M18 Connector	3-15, 3-19	B230101000404 O-ring	2-71, 7-19
A820205002464 Connector	2-71	B230101000614 O-ring	2-131
A820205002466 G1-M30 Connector	2-67, 2-71	B230101001119 Dust Ring	4-3
A820205002468 Connector	2-69	B230103000102 Rubber Hose	3-15
A820205002535 G1/2-M22-L35 Adaptor	2-63, 2-67, 2-77, 3-15, 3-17, 4-27, 4-29	B230103000256 Rubber hose	2-91, 2-93
A820208000293 Bushing	3-13	B230103000602 Rubber Hose	3-15
A820601000014 Control Indicating Board of Bulldozing Shovel	10-3	B230103000717 Rubber Hose 1SN12-DKOL-600	2-87
A820601990927 Decal, Unlock	10-7	B230103000808 Hose	4-7
A820601991049 Counterweight Warning Board	10-7	B230103000886 Hose AS	2-25
A820603000246 Forward Direction Indication	10-3, 10-5	B230103001467 Hose Assembly	2-77
A820606030364 Gasket	2-137	B230103002169 Rubber hose	2-89
A820606030917 Protective sleeve	3-7	B230103002345 Rubber Hose	2-87
A820606030920 Protective sleeve	3-7	B230103004571 Rubber Hose	2-89
A831213135000 Hose	3-15	B230103006186 Rubber Hose	2-75
air condition	2-3	B230103007529 Rubber Hose	2-25
Air intake & exhaust system	7-3	B240200000059 Emergency switch	8-5
B210399000001 Screw Plug	2-45	B241000000022 Receptacle Power	8-3
B210780000014 Pipe Connector	2-27	B260401090024 Spanner, Belt	9-5
B210780000017 Three Way Combination Joint	2-75	B260409000015 High Pressure Manual Grease Gun	9-5
B210780000019 Tee Joint	3-15	bottom sealing board	2-3
B210780000024 Fitting, Elbow	2-25, 2-61, 2-63, 2-65, 2-73, 4-31	CAB	1-3
B210780000025 Fitting, Elbow	2-21, 2-61, 2-63, 2-65, 2-71, 2-75, 2-77, 4-31	cooling system	7-3
B210780000028 Elbow Combination Fitting	2-61, 2-67	counterweight assembly	2-3
B210780000029 Fitting, Elbow	2-59, 2-61	Cover	1-3
B210780000042 End Straight Connector	2-21, 2-61	Fuel System	7-3
B210780000043 Adapter Fitting	2-61, 2-71, 2-75, 4-31	Hydraulic main pipeline	2-3
B210780000142 Fitting	2-21	Hydraulic motor group	2-121
B210780000164 Screw Plug	2-21, 2-35	Motor assembly	3-23
		Pilot pipeline	2-3
		Power system	1-3
		Reducer assembly	3-23
		REDUCTION GEAR ASSEMBLY	2-121

running control mechanism	5-39	SSY004699543 Dozer Blade.....	3-5
running control mechanism assem.....	5-3	SSY004705812 Connecting RodAssy.....	4-17
seat and control assem.....	5-3	SSY004793604 Cross beam welding parts.....	6-25
SSY004584978 Pipe, hot pipe, air conditioner	2-9	Transmission & shock mitigation system.....	7-3
SSY004589521 oil tank sealing baffle assem	6-5	Undercarriages hydraulic pipeline.....	3-7
SSY004660495 plate sponge.....	6-5	Work device Tube	4-5