

# Каталог запасных частей

---

**SY18C3Y5W(GB)**

**Hydraulic Excavator**

---

Equipment No. SY001BCA01968



## Overview

This book provides illustrations and parts listings required to properly identify and order replaceable parts on your Sany machine.

If this book becomes damaged, lost or illegible, request a replacement copy from your Sany distributor.

In case you sell this machine, be sure to give this parts book to the new owner.

Improvements in the design may lead to changes in detail which may not be indicated in this book. Always consult your Sany distributor for the latest available information on your equipment or if you have questions regarding information in this book.

## Storing this parts book

This publication applies only to this specific machine and should not be used with any other machines.

Always keep this book available for reference.

## Contact Details

Sany Industrial Park, Economic and Technology Development Zone, Kunshan, Jiangsu, China 215300

Service Hotline: 4008 28 2318

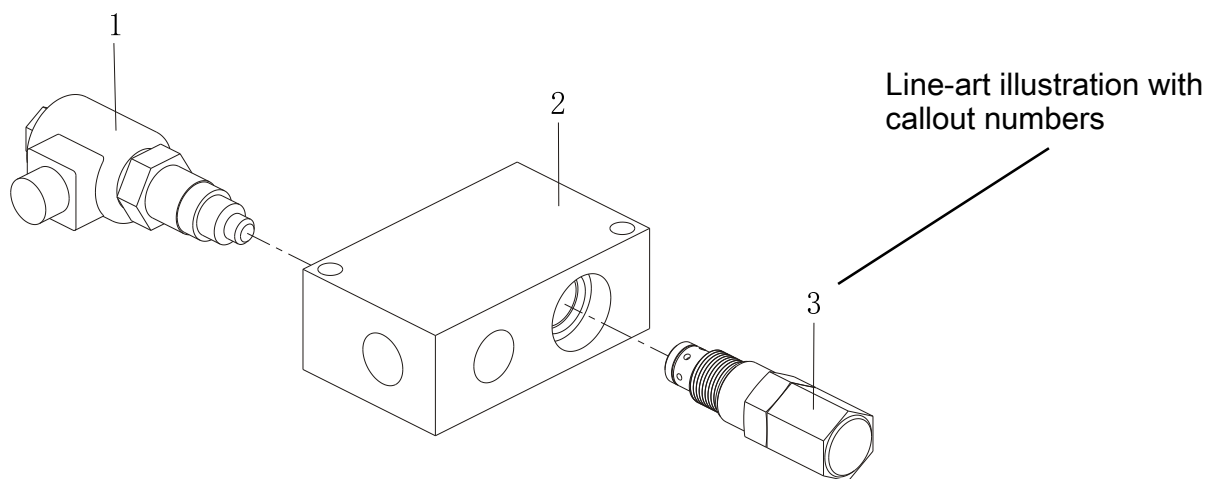
E-mail: [crd@sany.com.cn](mailto:crd@sany.com.cn)

Website: <http://www.sanyglobal.com>

## Sany Group Service Information System

<http://sis.sanygroup.com>

Page header with product name  
and machine model



Page footer with page number, parts code, and parts description

Page header with product name and machine model

Item number that matches callout numbers on previous illustration page

Remarks: for complement information of the part or assembly

Item No.	Part No.	Description	Qty.	Remarks
1	B220401000459	Valve Assembly, Solenoid	1	
2	A820103010415	Change Valve Block, Cooling Oil Motor	1	
3	B220400000083	Relief Valve	1	

Part No.: to be used along with Description to identify the part or assembly

Description: to be used along with Parts No. to identify the part or assembly

Quantity: it indicates the number of each part used in this assembly

Page footer with page number, parts code, and parts description

BLANK PAGE

# Table of Contents

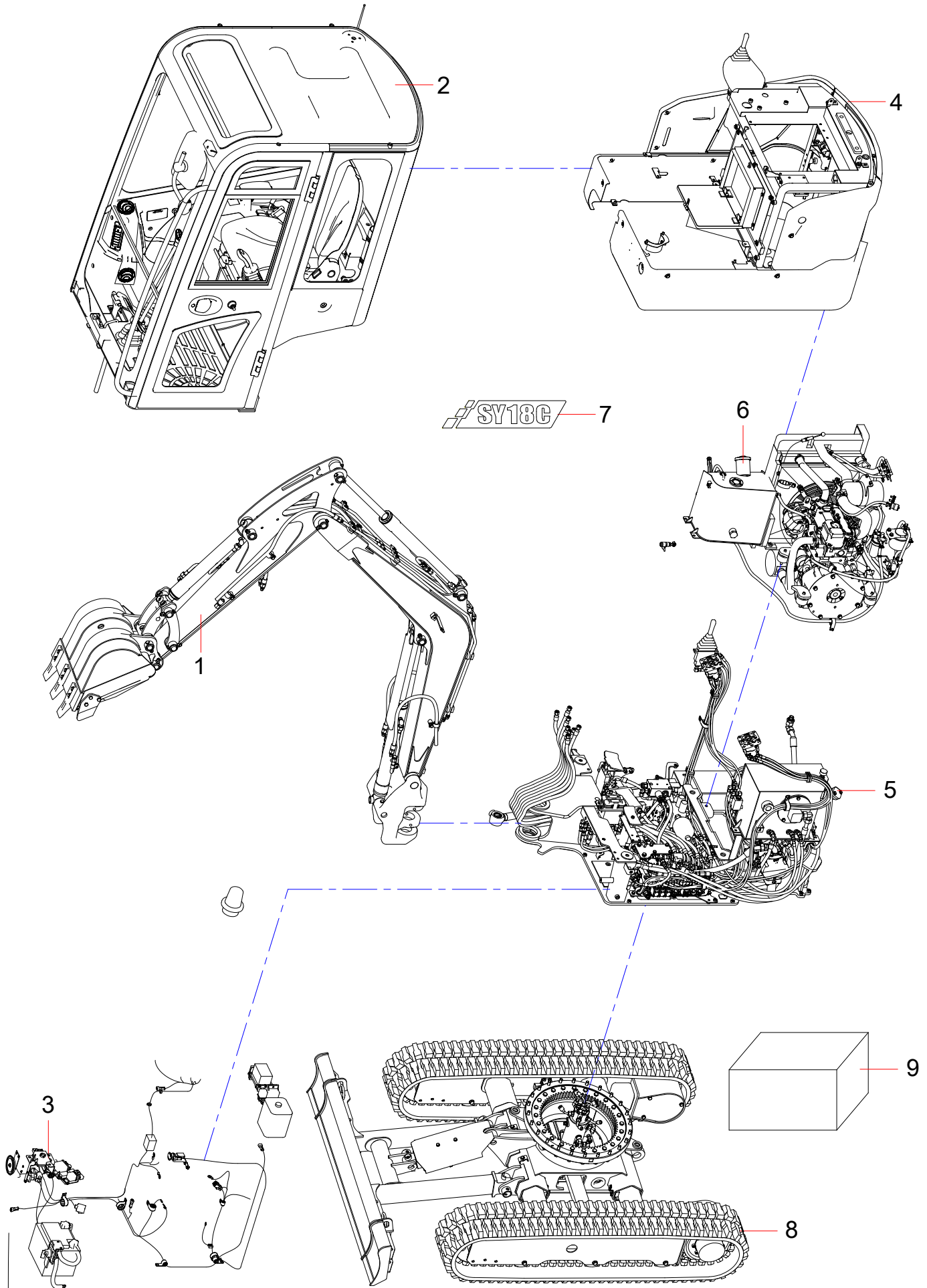
<b>Group 1 SY18C3Y5W(GB) Hydraulic excavator body</b> .....	<b>1-1</b>
14531579 SY18C3Y5W(GB) Hydraulic excavator body.....	1-2
<b>Group 2 work device</b> .....	<b>2-1</b>
14529563 work device .....	2-2
13004976 Work device Tube .....	2-14
14064297 Bucket Oil Cylinder.....	2-18
13010965 Bucket Oil Cylinder.....	2-20
13764909 Bucket Oil Cylinder.....	2-22
SSY004694297 Connecting Rod Assy.....	2-24
12997849 Buck .....	2-26
<b>Group 3 general assembly of cab</b> .....	<b>3-1</b>
14530129 general assembly of cab .....	3-2
60279902 excavator cab.....	3-8
60166748 rearview .....	3-30
60223376 Left armrest box assembly.....	3-32
13772204 seat assem .....	3-34
61004019 Right armrest boxes assembly.....	3-36
12985863 running control mechanism.....	3-38
13603236 pedal assy .....	3-40
13603240 pedal assy .....	3-42
13603246 pendulum pedal assy.....	3-44
<b>Group 4 Electrical assembly drawing</b> .....	<b>4-1</b>
13838131 Electrical assembly drawing .....	4-2
<b>Group 5 cab covering parts component</b> .....	<b>5-1</b>
14530287 cab covering parts component.....	5-2
14530288 cab covering parts subassembly.....	5-6
13004767 right-hand covering parts component .....	5-8
13003635 wind hook installation component.....	5-10
13004787 rear hood component.....	5-12
13004387 long hinge component .....	5-14
13400543 file case.....	5-16
12995055 battery fixed component.....	5-18
<b>Group 6 Upper structure assembly (EU cab)</b> .....	<b>6-1</b>
14530403 Upper structure assembly (EU cab) .....	6-2
13009761 counter weight.....	6-4
13691602 pilot pipeline .....	6-6
60129665 Pilot-control Valve .....	6-58
60281974 Pilot-control Valve .....	6-62
60242506 Left Pilot Control Valve Assembly .....	6-64

60342181 Electromagnetic reversal valve .....	6-66
60352306 Pilot valve .....	6-68
60247936 Pilot valve .....	6-70
60281431 Proportional Electromagnetic Valve .....	6-72
14502781 Main pipeline .....	6-74
60240905 holding valve .....	6-100
60267183 Electromagnetic Reversing Valve .....	6-102
60319138 Multiple valve .....	6-104
13011011 Bucket Oil Cylinder .....	6-108
60022059 Reducer assembly .....	6-110
60185147 Reduction Gear .....	6-112
60185146 Plunger Motor .....	6-114
14272735 oil tank.....	6-116
150101060024B Pump .....	6-118
13878626 warm air system .....	6-122
<b>Group 7 power system .....</b>	<b>7-1</b>
14525199 power system.....	7-2
14521694 cool system .....	7-4
61031809 Radiator .....	7-6
14521042 fuel system .....	7-8
14293595 fuel tank assy .....	7-10
13014703 Transmission & shock mitigation system.....	7-12
14521034 exhaust system.....	7-14
14521037 intake system .....	7-16
60017230 Air Filter Assembly .....	7-18
<b>Group 8 coating .....</b>	<b>8-1</b>
13902060 coating .....	8-2
<b>Group 9 Travel Device .....</b>	<b>9-1</b>
SSY004609595 Travel Device .....	9-2
13559406 Slewing Bearing.....	9-12
60022091 Tensioning Equipment .....	9-14
SSY004698376 dozer blade assembly .....	9-16
13784011 underage pipe .....	9-18
60022417 Center Swivel Joint .....	9-24
13011010 Bulldozing shovel oil cylinder .....	9-26
13782527 Bucket Oil Cylinder.....	9-28
60022060 Reducer assembly .....	9-30
60305404 Hydraulic motor .....	9-32
60305393 Reducer .....	9-36
<b>Group 10 Accessories(EU) .....</b>	<b>10-1</b>
14530406 Accessories(EU).....	10-2
14042474 Accompanying tools.....	10-4
A290000000155 Toolbox, portable .....	10-6



# Group 1

## SY18C3Y5W(GB) Hydraulic excavator body

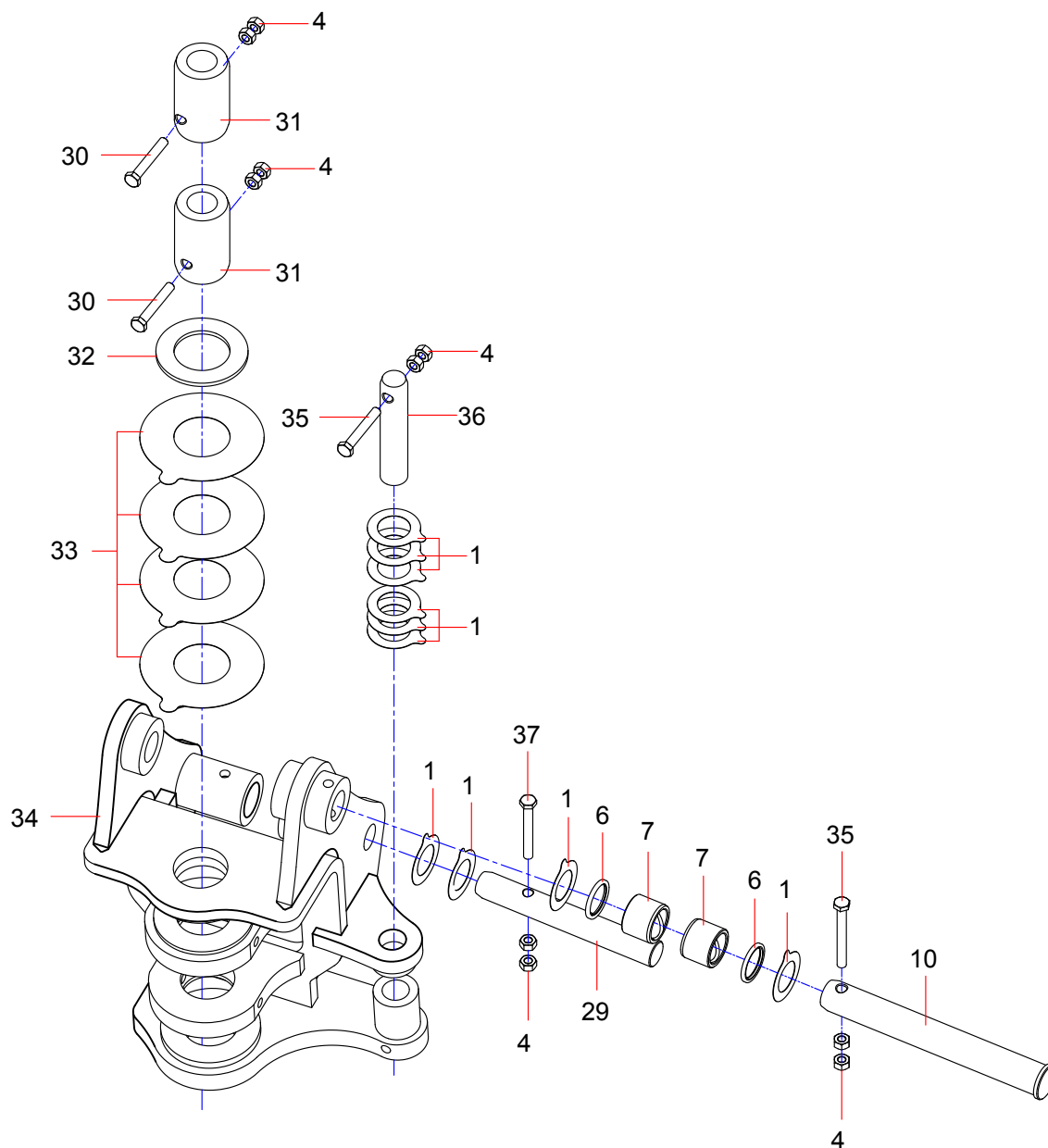


No.	Part No.	Description	Qty	Page number
1	14529563	work device	1	2-2
2	14530129	general assembly of cab	1	3-2
3	13838131	Electrical assembly drawing	1	4-2
4	14530287	cab covering parts component	1	5-2
5	14530403	Upper structure assembly (EU cab)	1	6-2
6	14525199	power system	1	7-2
7	13902060	coating	1	8-2
8	SSY004609595	Travel Device	1	9-2
9	14530406	Accessories(EU)	1	10-2

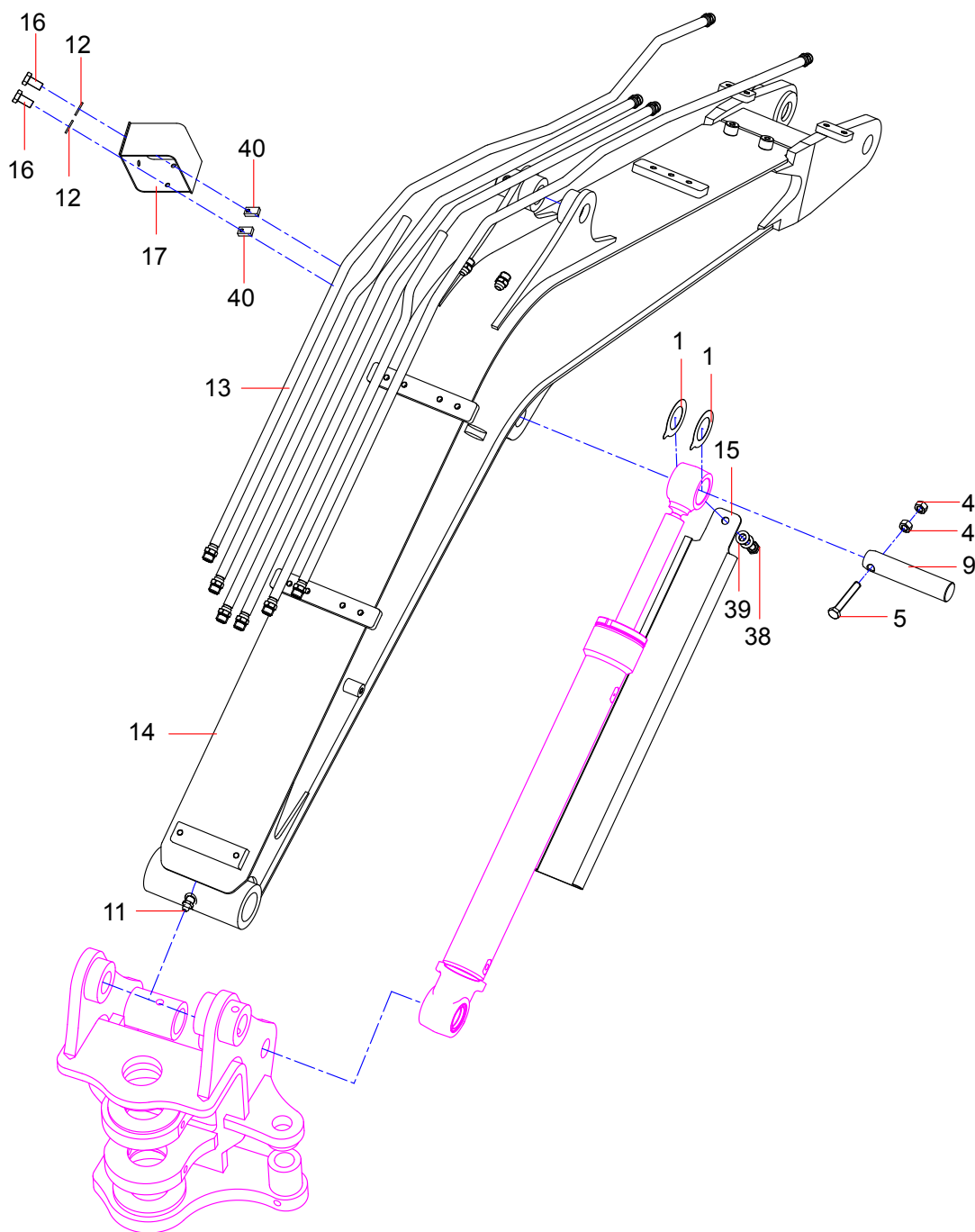
BLANK PAGE

# Group 2

## work device

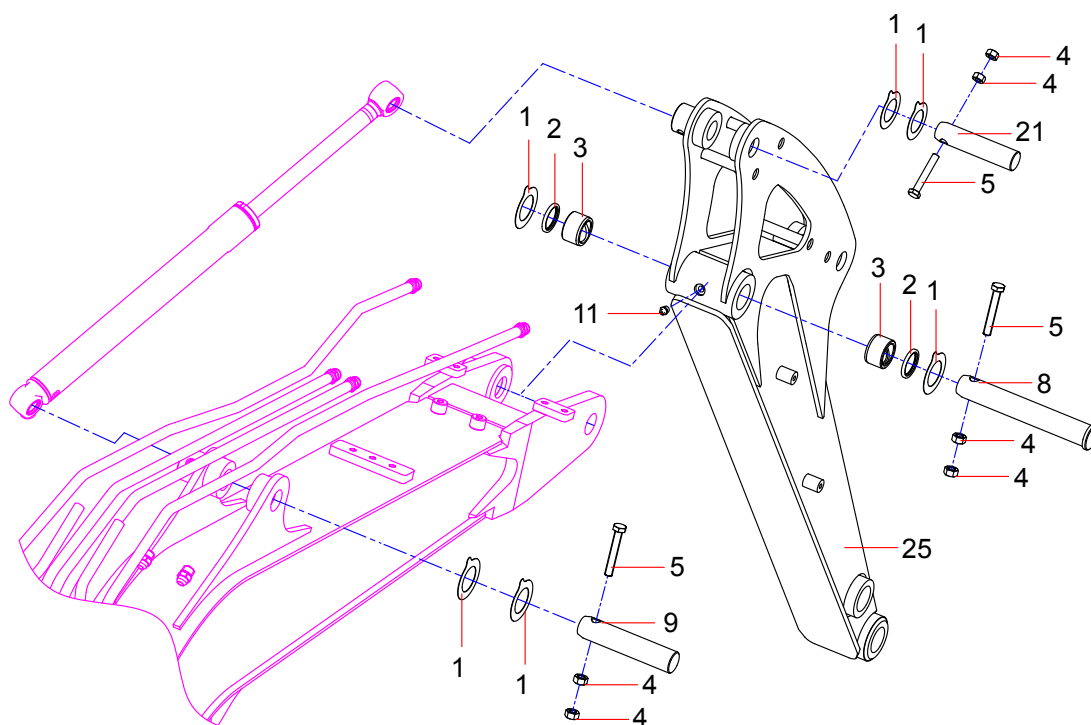


No.	Part No.	Description	Qty	Page number
1	13000200	Spacer	28	
4	A210307000036	Nut	28	
6	60022527	Dust Ring	2	
7	12980735	Shaft Sleeve	2	
10	14292000	shaft 2	1	
29	14291981	shaft	1	
30	A210204000007	Screw	2	
31	14292009	Lock pin	2	
32	13000222	Spacer	1	
33	A820102010779	Spacer	7	
34	14336264	support	1	
35	A210111000270	Bolt	2	
36	14306567	shaft	1	
37	A210111000295	Bolt	1	

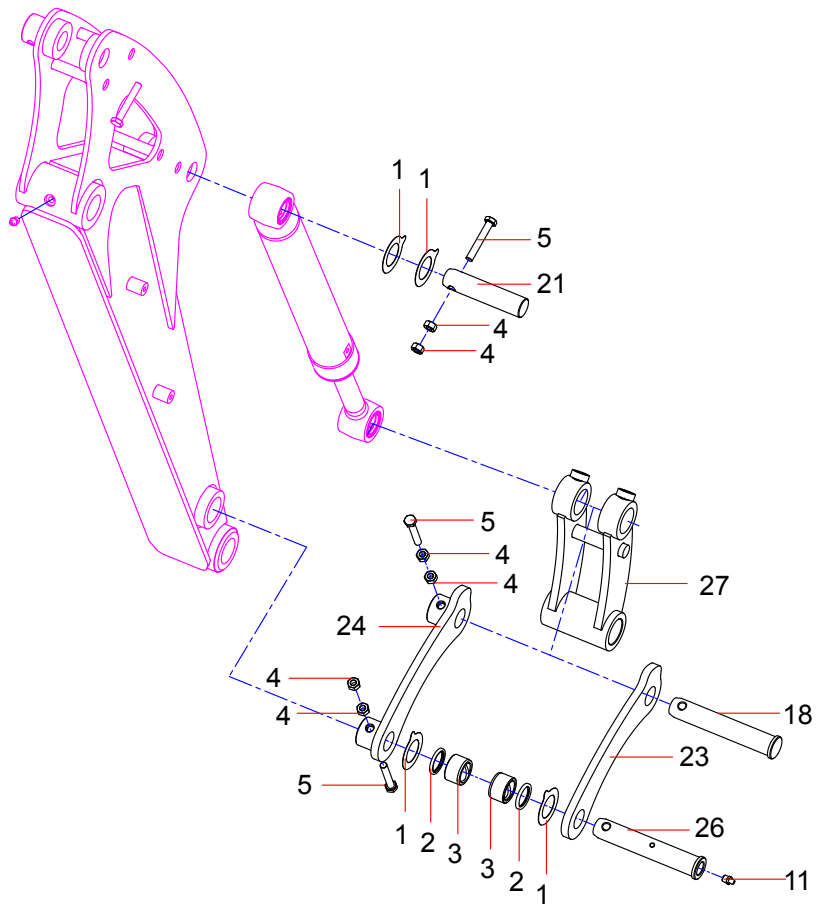




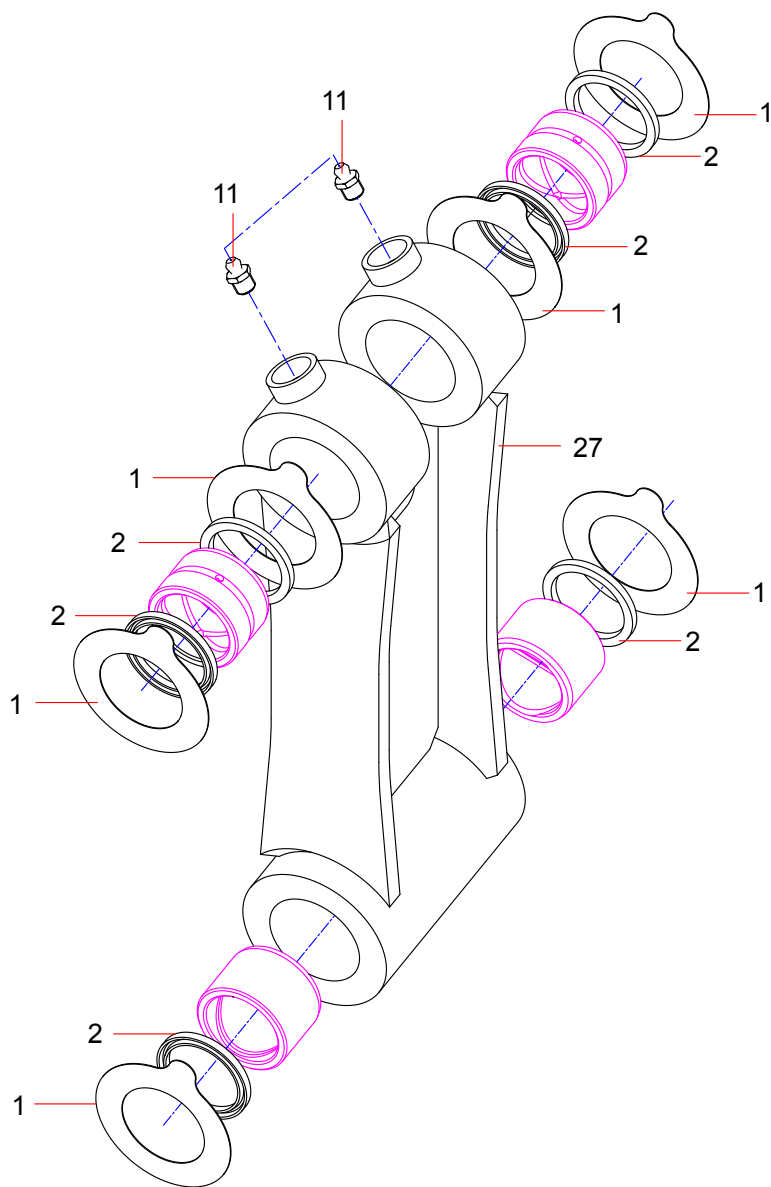
No.	Part No.	Description	Qty	Page number
1	13000200	Spacer	28	
4	A210307000036	Nut	28	
5	A210111000294	Bolt	9	
9	12980395	shaft	2	
11	A210804000002	Adaptor, Grease	7	
12	A210491000121	Washer	2	
13	13004976	Work device Tube	1	2-14
14	13001974	Boom	1	
15	13353002	Oil cylinder protecting board	1	
16	24000292	Bolt M12×25GB5783 dacrotizing	2	
17	14158506	cover	1	
38	A210111000012	Bolt	1	
39	A210491000120	Washer	2	
40	A820199000364	Thread seat	2	



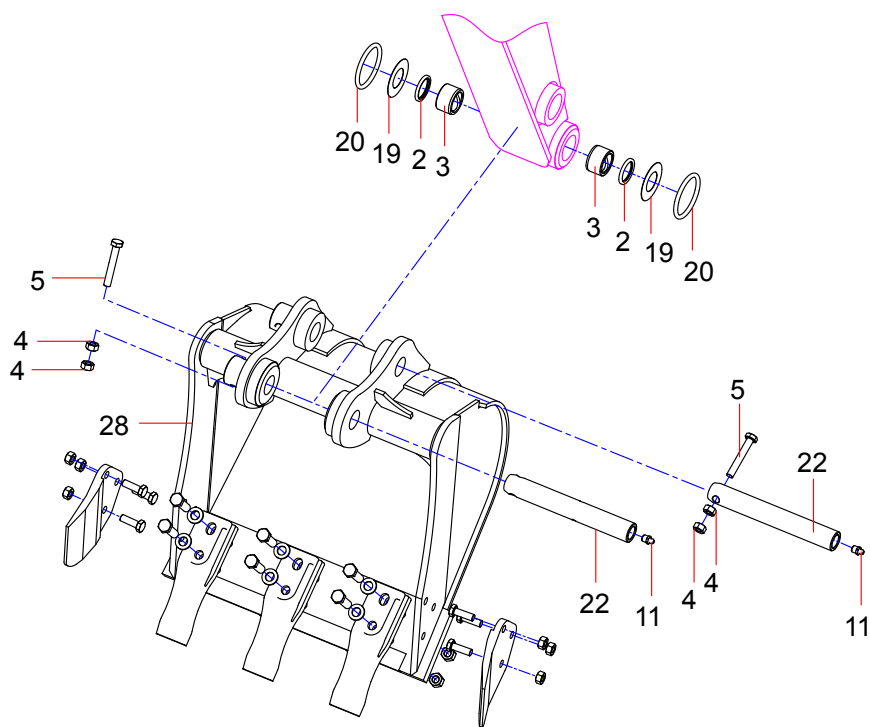
No.	Part No.	Description	Qty	Page number
1	13000200	Spacer	28	
2	60022526	Dust ring	12	
3	12980716	Shaft Sleeve	6	
4	A210307000036	Nut	28	
5	A210111000294	Bolt	9	
8	13003657	shaft 2	1	
9	12980395	shaft	2	
11	A210804000002	Adaptor, Grease	7	
21	12980345	shaft	2	
25	12997893	ARM	1	



No.	Part No.	Description	Qty	Page number
1	13000200	Spacer	28	
2	60022526	Dust ring	12	
3	12980716	Shaft Sleeve	6	
4	A210307000036	Nut	28	
5	A210111000294	Bolt	9	
11	A210804000002	Adaptor, Grease	7	
18	12980310	shaft	1	
21	12980345	shaft	2	
23	13002022	Rocker	1	
24	13002023	Rocker composite element	1	
26	12980313	shaft	1	
27	SSY004694297	Connecting RodAssy	1	2-24

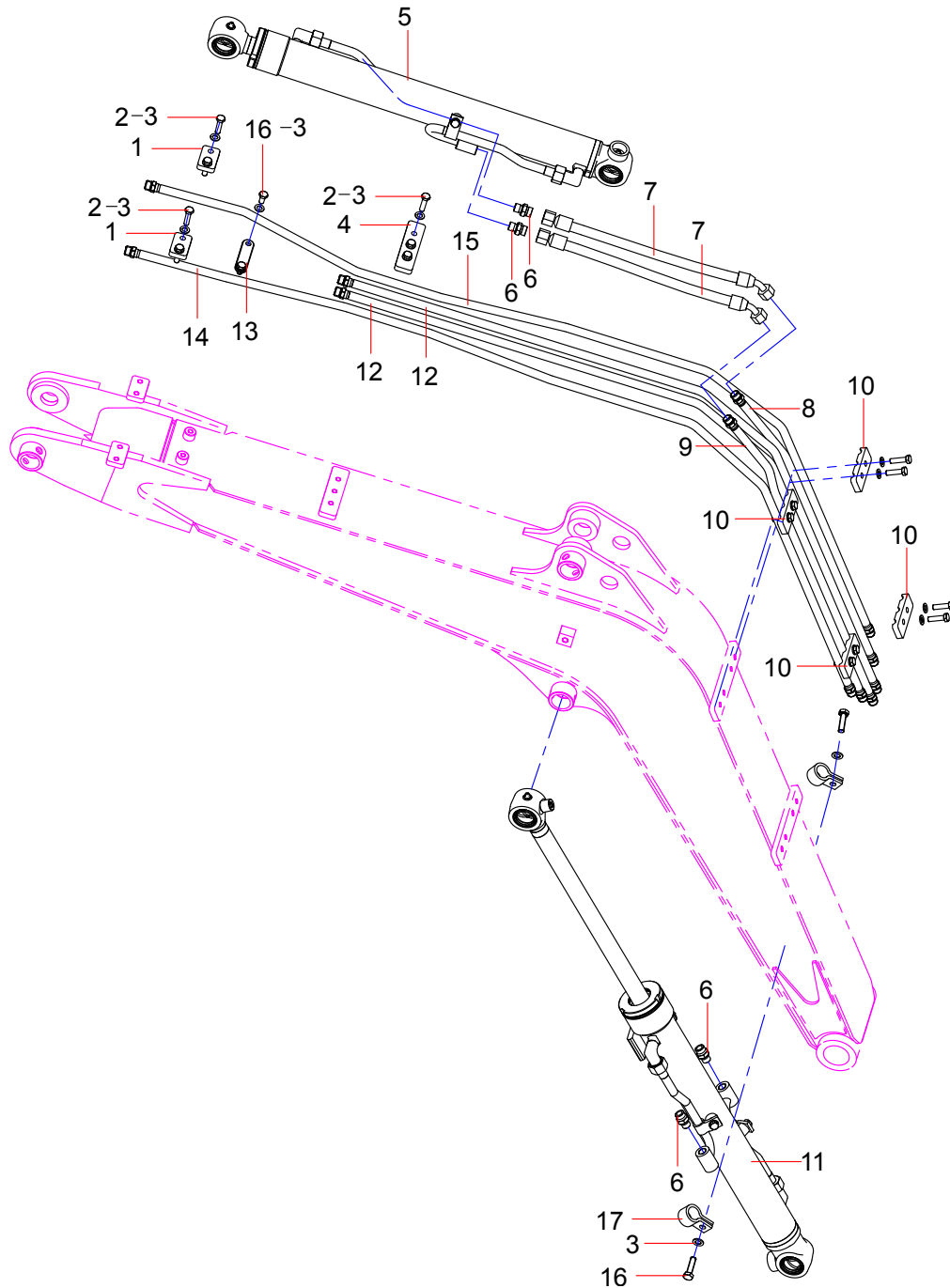


No.	Part No.	Description	Qty	Page number
1	13000200	Spacer	28	
2	60022526	Dust ring	12	
11	A210804000002	Adaptor, Grease	7	
27	SSY004694297	Connecting RodAssy	1	2-24

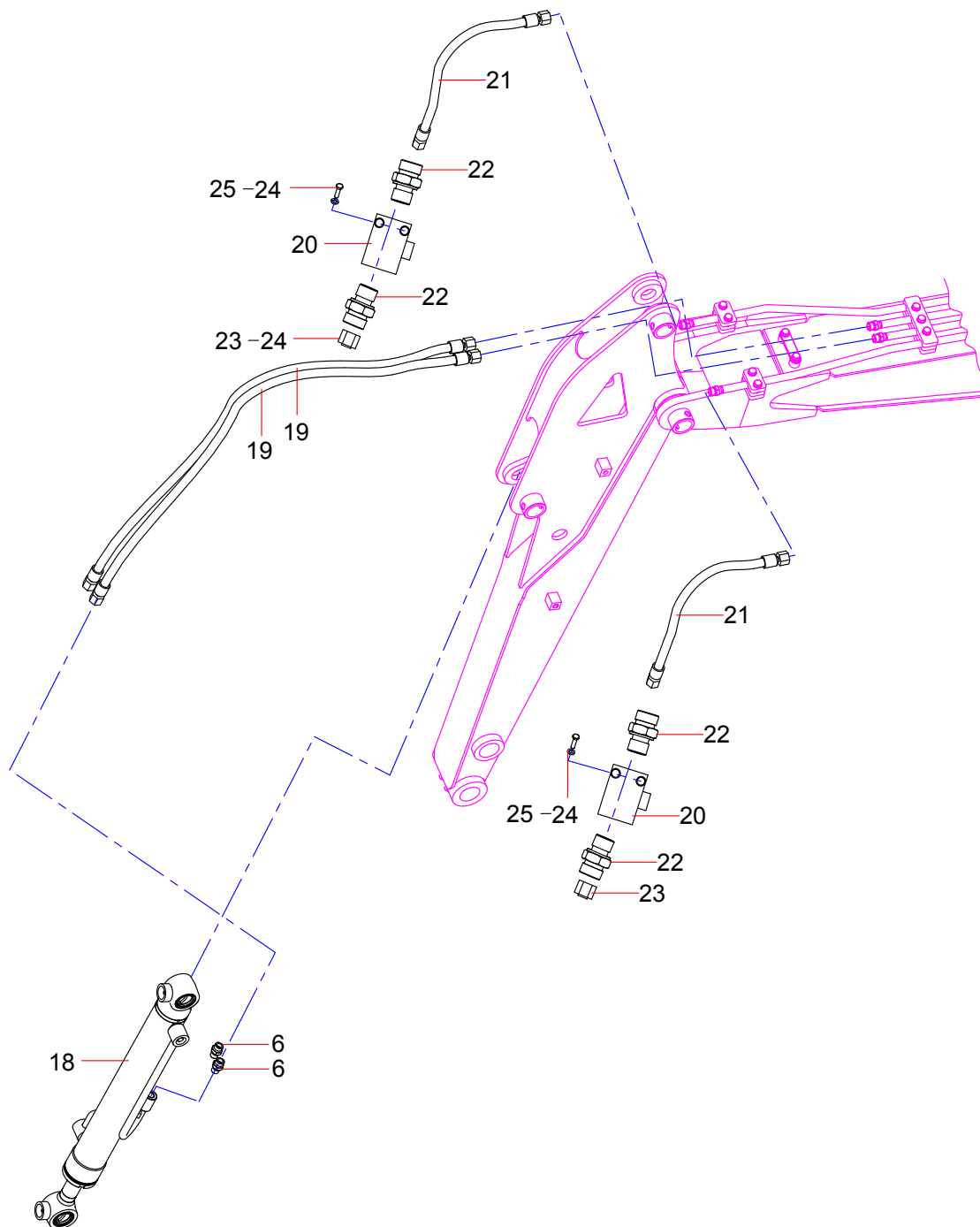




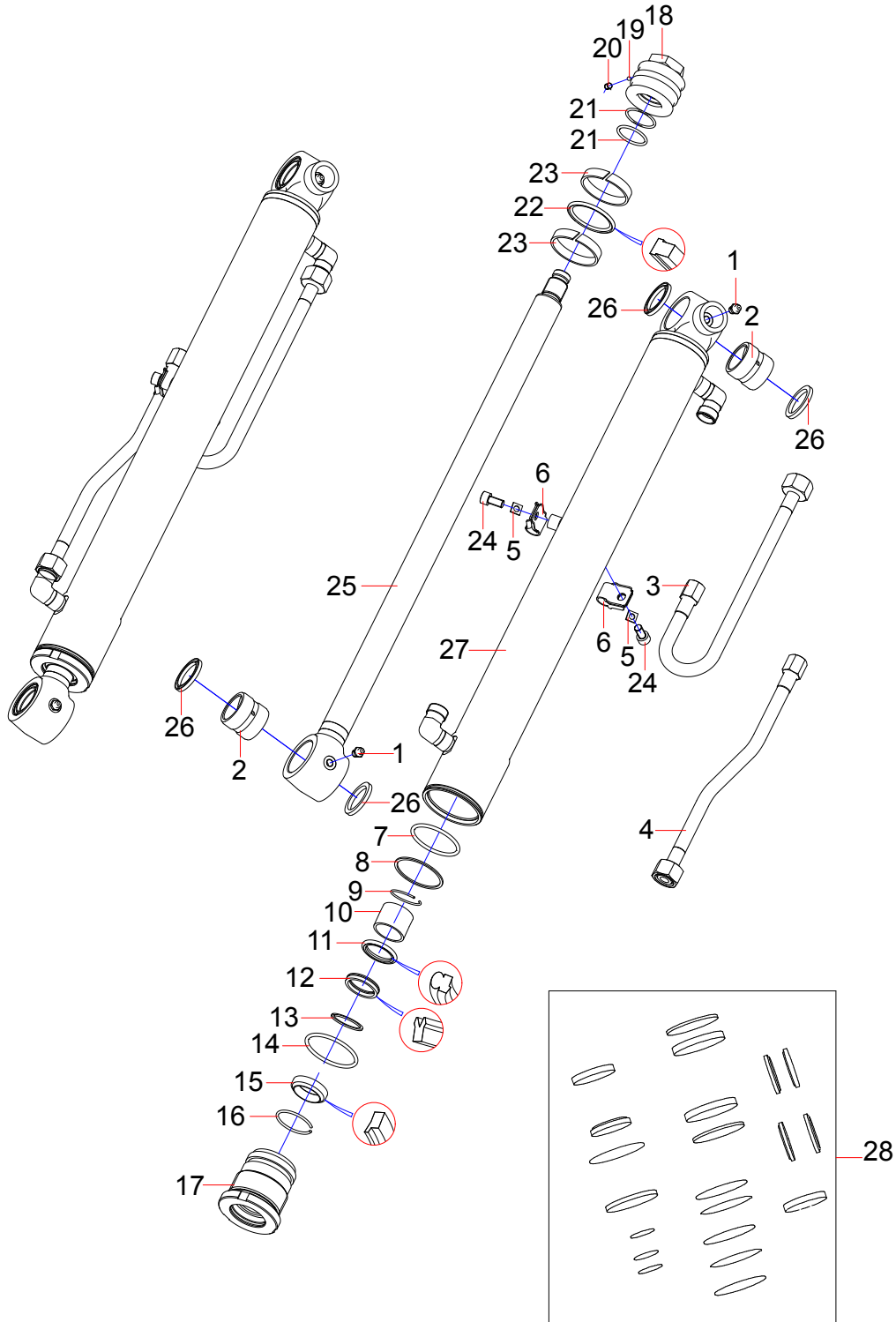
No.	Part No.	Description	Qty	Page number
2	60022526	Dust ring	12	
3	12980716	Shaft Sleeve	6	
4	A210307000036	Nut	28	
5	A210111000294	Bolt	9	
11	A210804000002	Adaptor, Grease	7	
19	13000255	Spacer	2	
20	A210608000086	O-ring	2	
22	12980301	shaft	2	
28	12997849	Buck	1	2-26



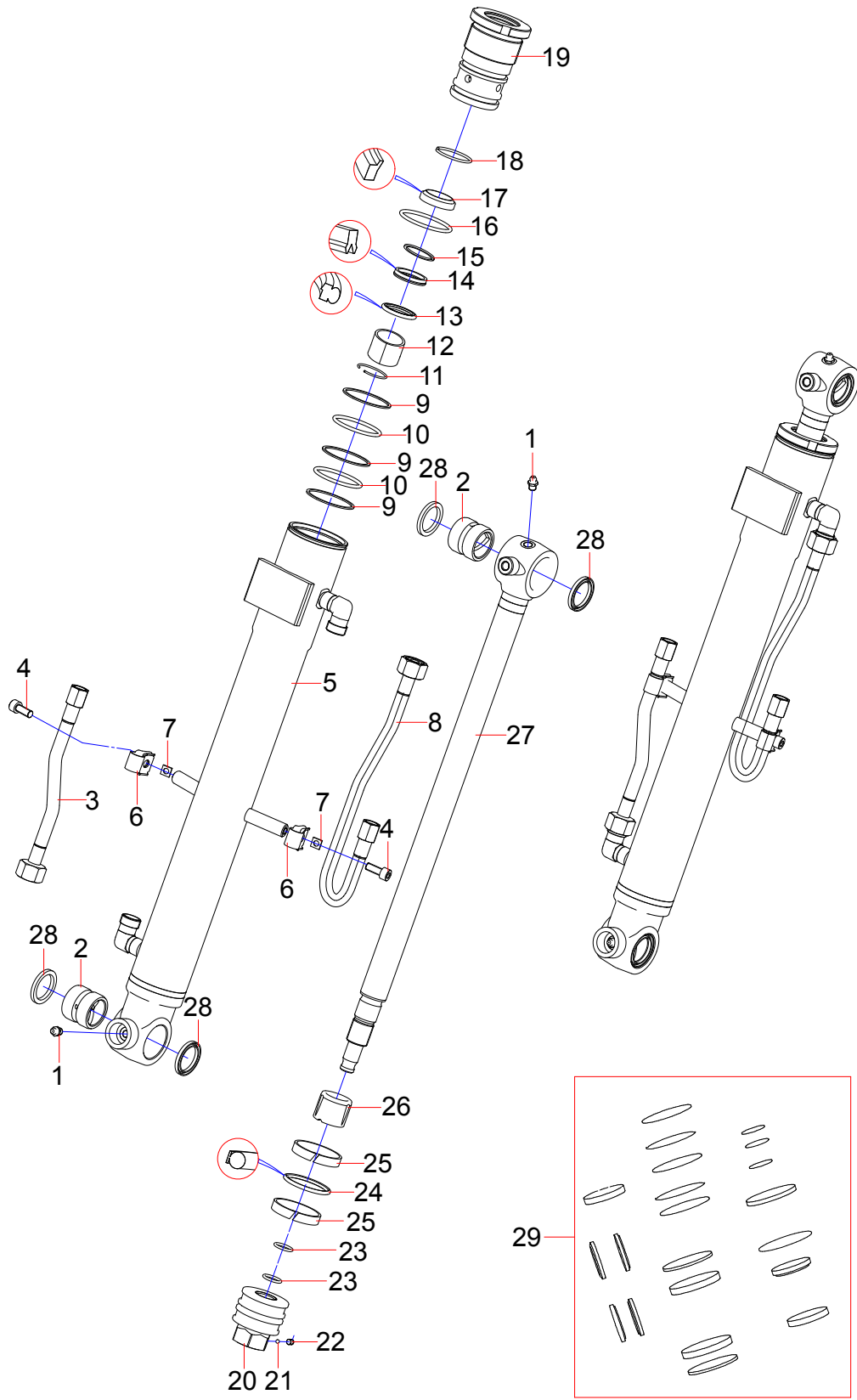
No.	Part No.	Description	Qty	Page number
1	12979226	Clamp	2	
2	A210111000293	Bolt	15	
3	24000633	Washer	23	
4	12979225	Clamp	1	
5	14064297	Bucket Oil Cylinder	1	2-18
6	B210780000148	Fitting, adapter	6	
7	B230103005853	Hose, rubber	2	
8	12979096	Steel Pipe Assy	1	
9	12979098	Steel Pipe Assy	1	
10	12979224	Clamp	4	
11	13010965	Bucket Oil Cylinder	1	2-20
12	12979092	Steel Pipe Assy	2	
13	12984969	Plate	1	
14	12979094	Steel Pipe Assy	1	
15	12979090	Steel Pipe Assy	1	
16	A210111000342	Bolt	8	
17	13532356	Clamp	1	



No.	Part No.	Description	Qty	Page number
6	B210780000148	Fitting, adapter	6	
18	13764909	Bucket Oil Cylinder	1	2-22
19	B230103000439	Rubber hose	2	
20	60222665	GlobeValve	2	
21	151003210050A	Hose AS	2	
22	B210780000177	Connector, pipe	4	
23	21023882	Screw Plug	2	
24	24000632	Washer	4	
25	A210204000218	Screw M6×55GB70.1 Grade 10.9	4	

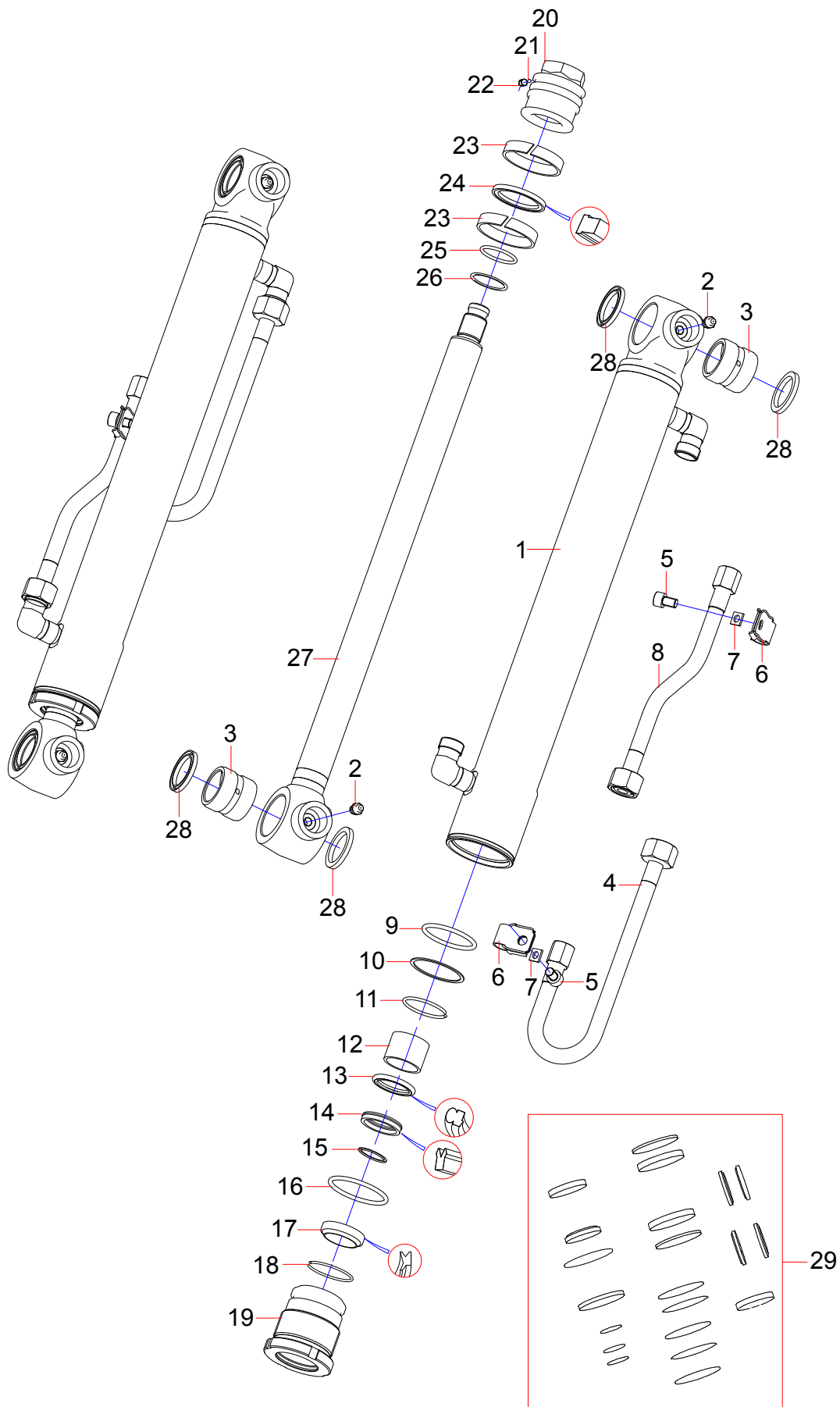


No.	Part No.	Description	Qty	Page number
1	A210804000001	Fitting, Grease	2	
2	11715474	Bush	2	
3	13008600	Oil tube component II	1	
4	13008598	Oil tube component I	1	
5	13469025	washer	2	
6	13008028	Pipe Clamp	2	
7	A210609000152	O-ring	1	
8	11945707	Ring, retaining	1	
9	60023919	Retainer ring	1	
10	60350058	Sliding Bearing	1	
11	13599598	seal ring	1	
12	60350052	Seal Ring	1	
13	60184611	Guide ring	1	
14	A210609000068	O-ring	1	
15	60184717	Dust Ring	1	
16	60183946	Retaining Ring	1	
17	14064296	Guide Sleeve	1	
18	14064295	Piston	1	
19	A210661000015	Steel Ball	1	
20	A880801010041	Screw	1	
21	A210609000118	O-ring	2	
22	60147510	T seal ring	1	
23	60013716	Ring, Guide	2	
24	A210204000340	Bolt, socket head	2	
25	14064299	Piston Rod	1	
26	60022526	Dust ring	4	
27	13018783	Cylinder Assem.	1	
28	14071715	sealer package	1	

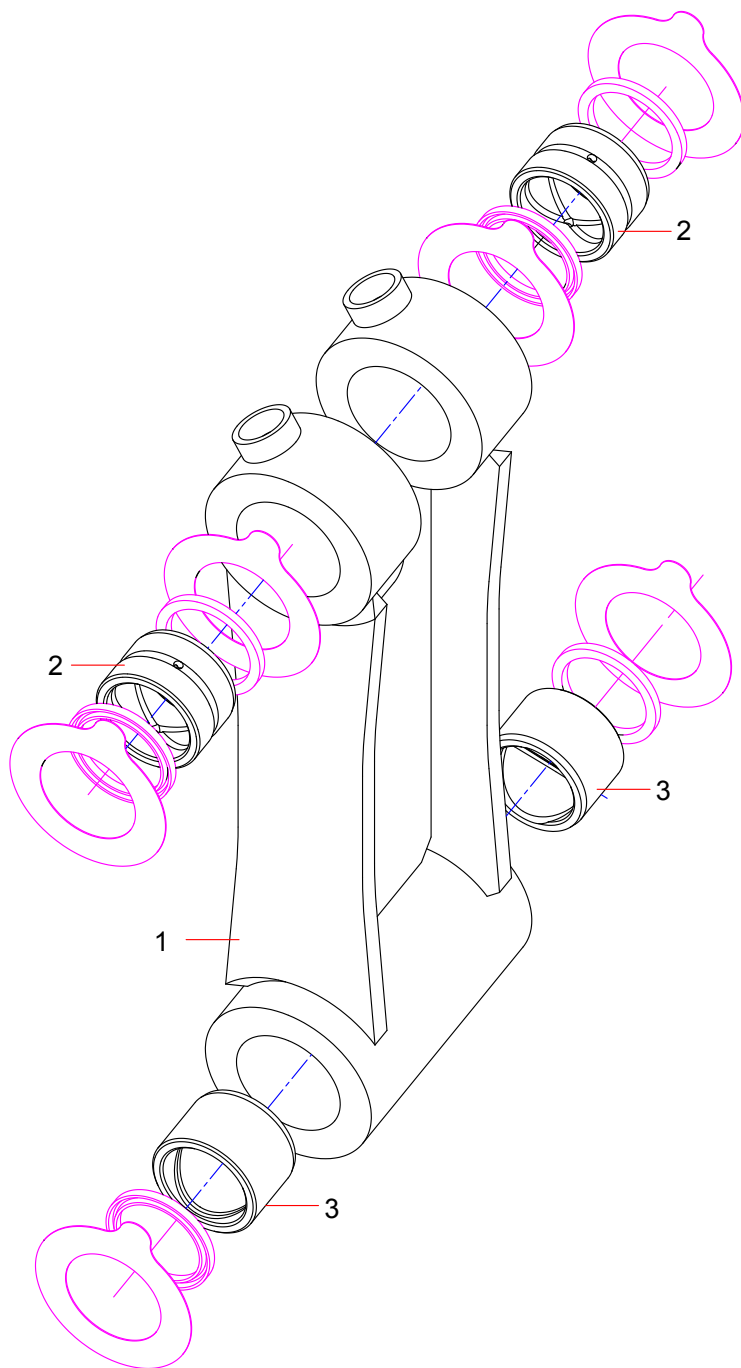




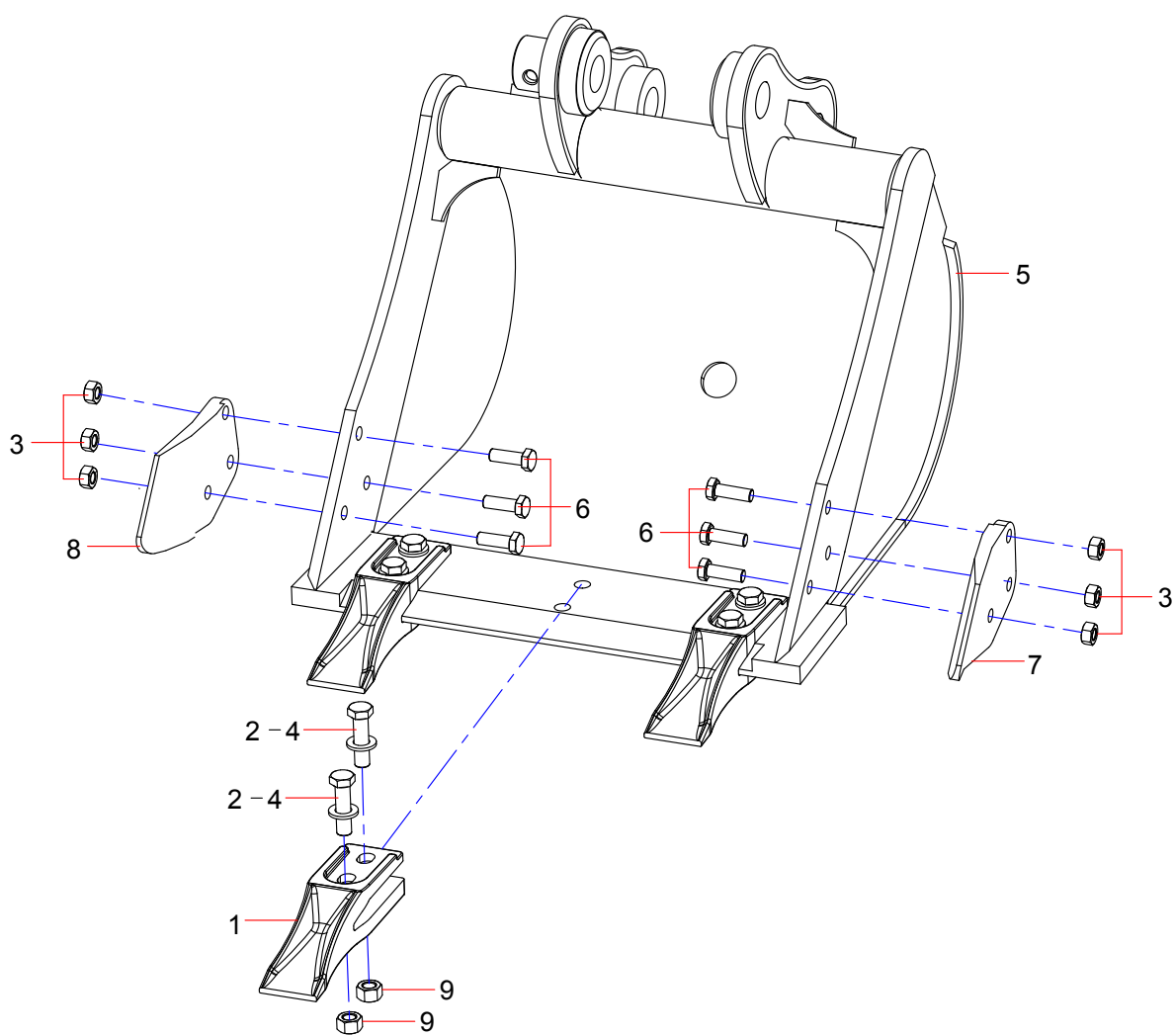
No.	Part No.	Description	Qty	Page number
1	A210804000001	Fitting, Grease	1	
2	11715474	Bush	2	
3	13008037	Oil tube component I	1	
4	A210204000220	Screw	2	
5	13018654	Cylinder Assem.	1	
6	13008028	Pipe Clamp	2	
7	13469025	washer	2	
8	13008039	Oil tube component II	1	
9	11945707	Ring, retaining	3	
10	A210609000152	O-ring	2	
11	60089212	Retainer Ring	1	
12	60350057	Sliding Bearing	1	
13	60000924	Seal ring	1	
14	60350051	Seal Ring	1	
15	60184610	Bearing Ring	1	
16	A210609000068	O-ring	1	
17	60184716	Dust Ring	1	
18	60350118	Circlip	1	
19	14001508	Guide Sleeve	1	
20	14001509	Piston	1	
21	A210661000015	Steel Ball	1	
22	A880801010041	Screw	1	
23	A210608000109	O-ring	2	
24	60147510	T seal ring	1	
25	60013716	Ring, Guide	2	
26	13008473	Bumper Sleeve	1	
27	13388466	Piston Rod	1	
28	60022526	Dust ring	4	
29	13028874	sealer package	1	



No.	Part No.	Description	Qty	Page number
1	13019452	Cylinder Assem.	1	
2	A210804000001	Fitting, Grease	2	
3	11715474	Bush	2	
4	13008602	Oil tube component	1	
5	A210204000340	Bolt, socket head	2	
6	13008028	Pipe Clamp	2	
7	13469025	washer	2	
8	13008604	Oil tube component	1	
9	A210609000060	O-ring	1	
10	10250770	Ring, Back-up	1	
11	60023919	Retainer ring	1	
12	60350058	Sliding Bearing	1	
13	B230101000944	Seal ring	1	
14	60350052	Seal Ring	1	
15	60184611	Guide ring	1	
16	A210609000065	O-Ring	1	
17	60184717	Dust Ring	1	
18	60350119	Circlip	1	
19	14001512	guide sleeve	1	
20	14077817	Piston	1	
21	A210661000015	Steel Ball	1	
22	A880801010041	Screw	1	
23	A880803040036	Guide ring	2	
24	60350054	Seal Ring	1	
25	A210608000122	O-ring	1	
26	24003725	Retainer Ring	2	
27	14061792	Piston Rod	1	
28	60022526	Dust ring	4	
29	13769554	Seal kit	1	



No.	Part No.	Description	Qty	Page number
1	13002029	Connecting Rod	1	
2	12980736	Shaft Sleeve	2	
3	12980716	Shaft Sleeve	2	



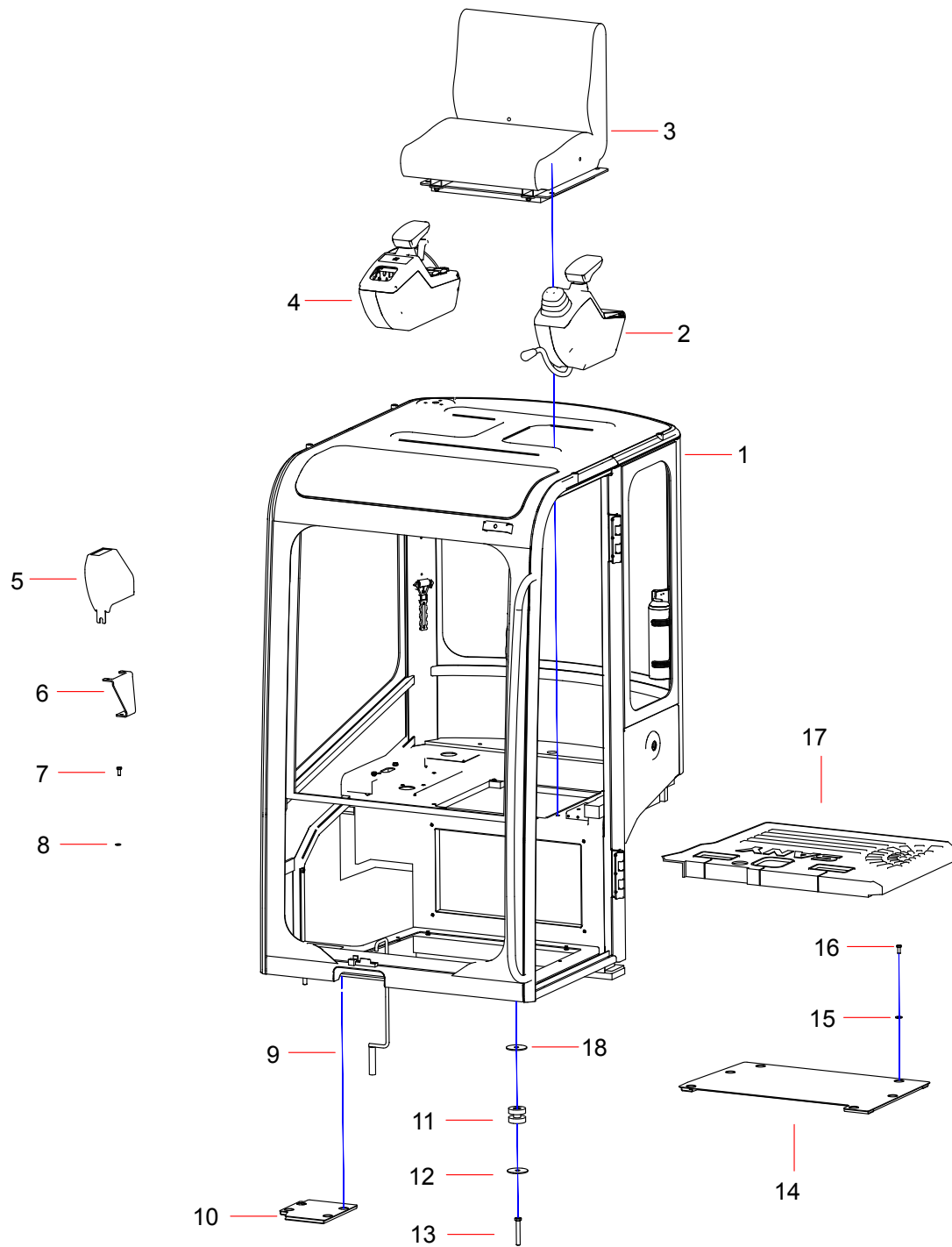
No.	Part No.	Description	Qty	Page number
1	12997848	bucket tooth	3	
2	24000639	Washer	6	
3	A210307000036	Nut	6	
4	A210111000119	Bolt	6	
5	12997862	Bucket body	1	
6	A210111000024	Bolt	6	
7	12997846	right tooth	1	
8	12997847	left tooth	1	
9	A210307000031	Nut	6	

BLANK PAGE

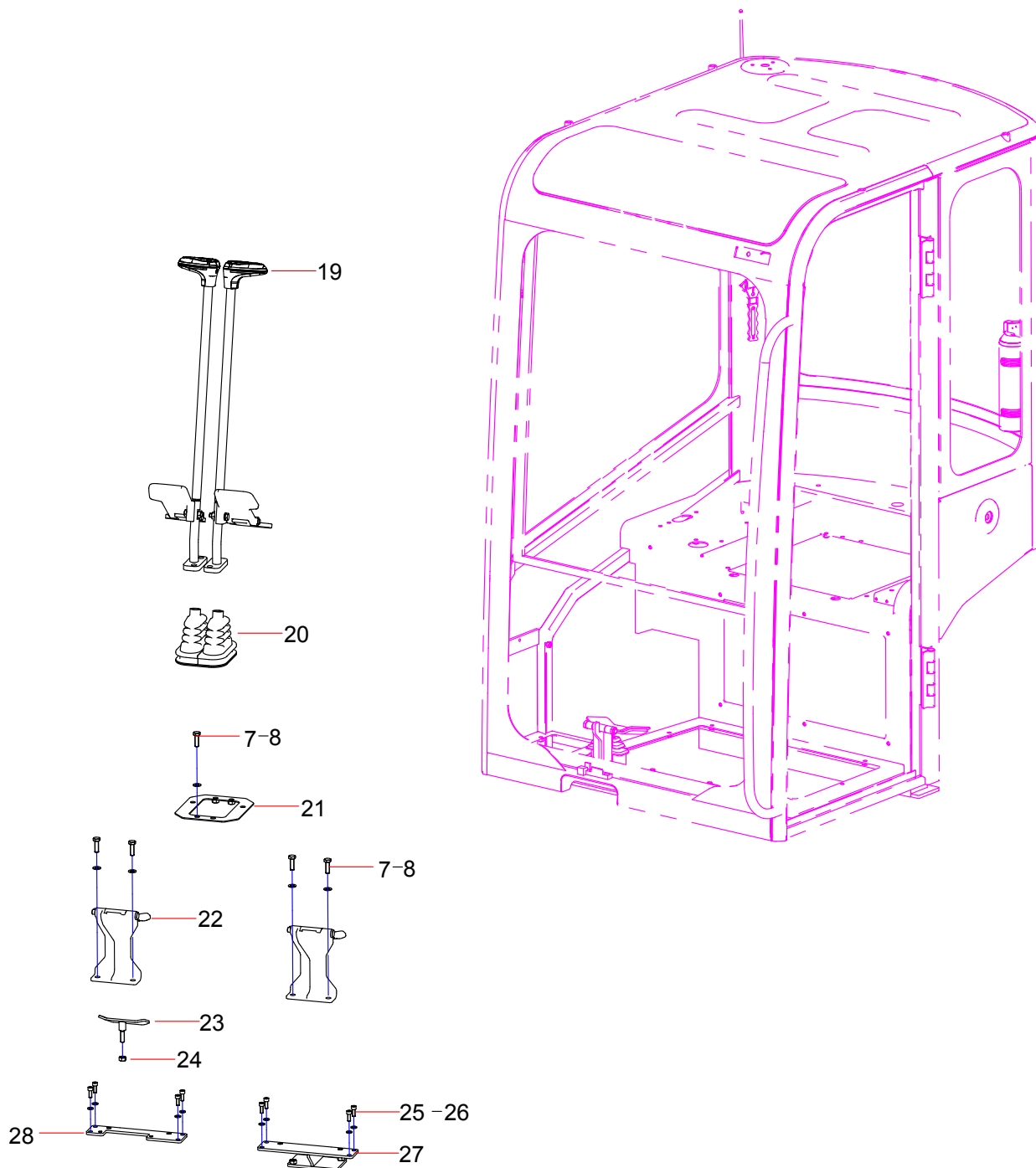


# **Group 3**

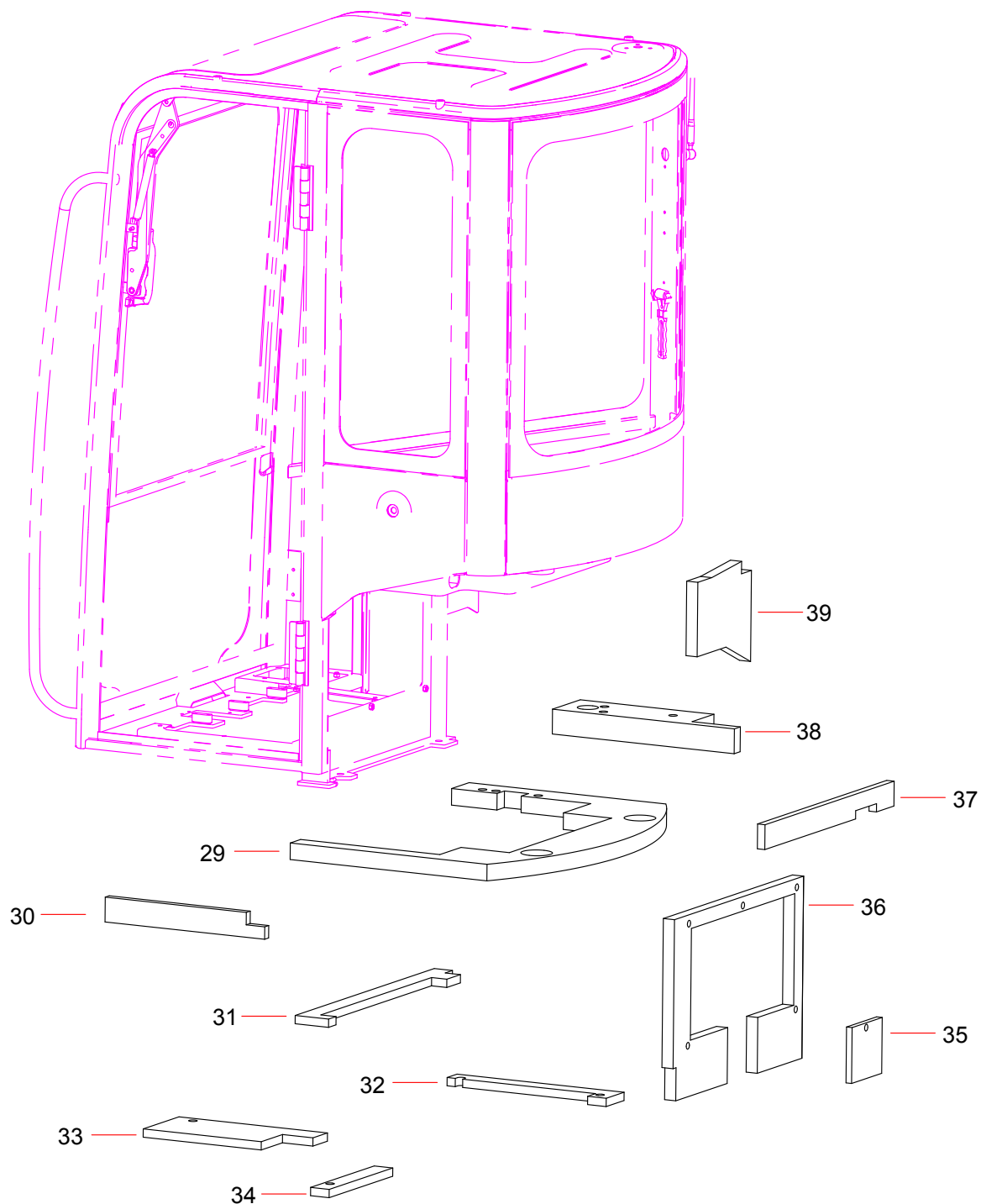
## **general assembly of cab**



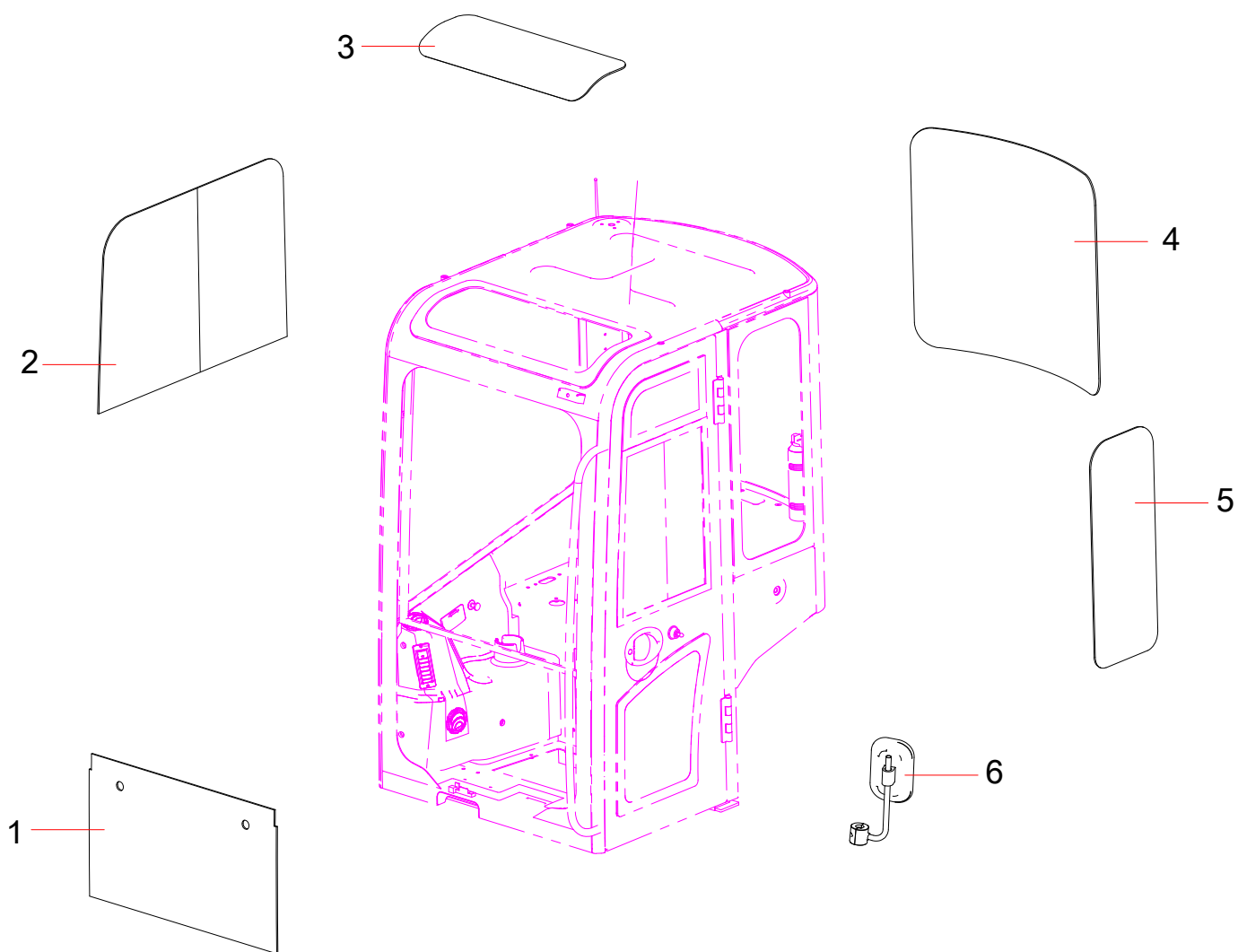
No.	Part No.	Description	Qty	Page number
1	60279902	excavator cab	1	3-8
2	60223376	Left armrest box assembly	1	3-32
3	13772204	seat assem	1	3-34
4	61004019	Right armrest boxes assembly	1	3-36
5	13458166	bulldozing shovel valve installation plate	1	
6	13458165	hydraulic valve installation plate	1	
7	A210111000343	Bolt	22	
8	24000633	Washer	25	
9	14287487	positioning mechanism	1	
10	13703066	cab right front bottom board component	1	
11	60226781	Damper	2	
12	13004265	damper lower backup plate	4	
13	A210111000127	Bolt	2	
14	13702967	cab bottom board component	1	
15	60060565	Washer	14	
16	A210111000342	Bolt	17	
17	13706703	cab bottom board pad	1	
18	13818808	damper lock washer	4	



No.	Part No.	Description	Qty	Page number
7	A210111000343	Bolt	22	
8	24000633	Washer	25	
19	12985863	running control mechanism	1	3-38
20	13613296	rubber protective sleeve component	1	
21	13004851	valve installation component	1	
22	13603246	pendulum pedal assy	2	3-44
23	13845262	run-out footplate	1	
24	A210307000055	Nut	1	
25	A210111000080	Bolt	8	
26	24000632	Washer	8	
27	14242955	bracket	1	
28	13471149	installation plate	1	

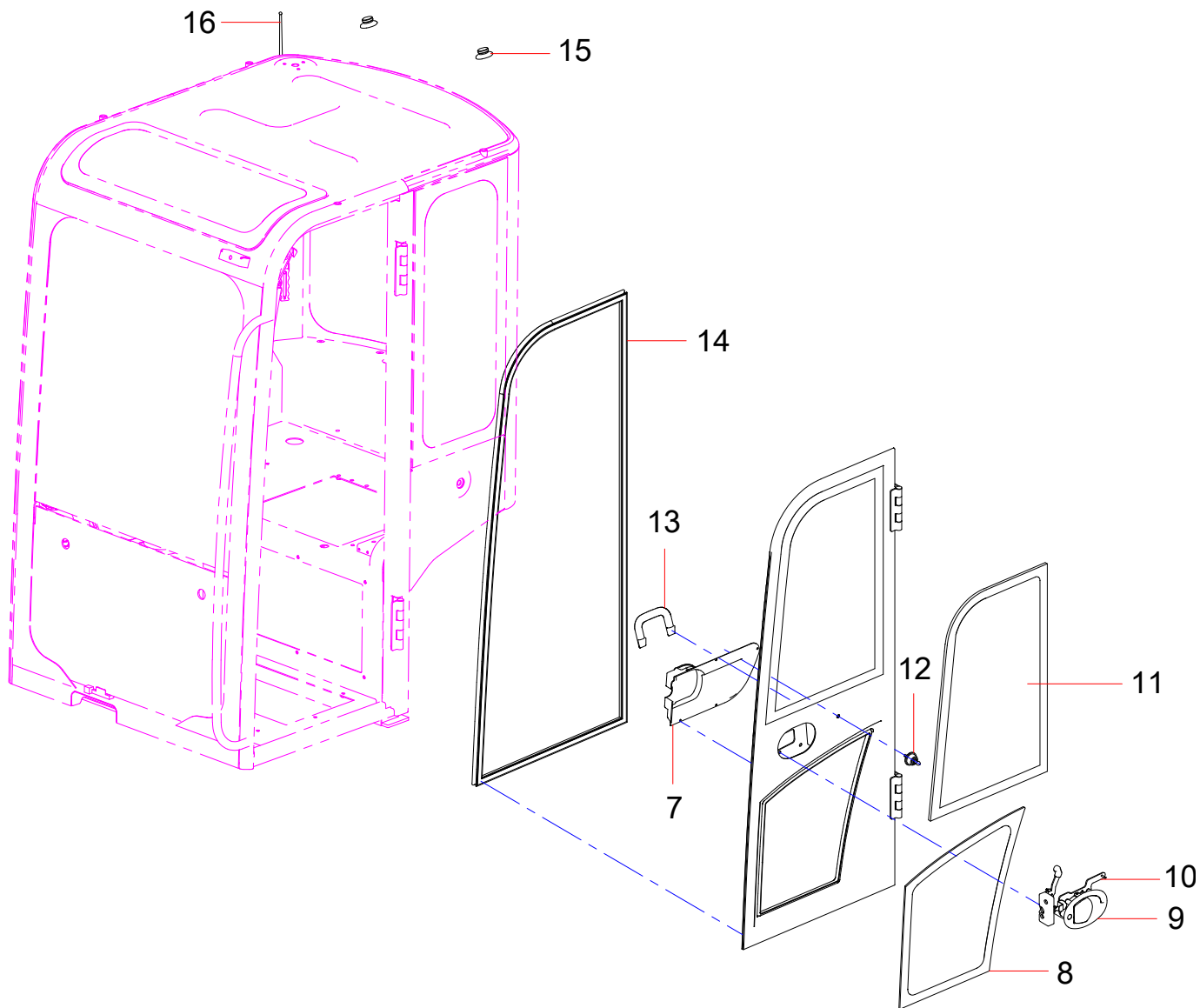


No.	Part No.	Description	Qty	Page number
29	13703087	cab base sponge	1	
30	13703218	cab base back sponge	1	
31	13703086	cab base lower sponge	1	
32	13703090	cab base right lower sponge	1	
33	13703088	cab base left lower sponge	1	
34	13703089	cab base back lower sponge	1	
35	SSY004963837	sponge	1	
36	13703093	cab base front sponge	1	
37	13703092	cab base back sponge	1	
38	13703091	cab base left armbox lower sponge	1	
39	13703085	cab base right front sponge	1	

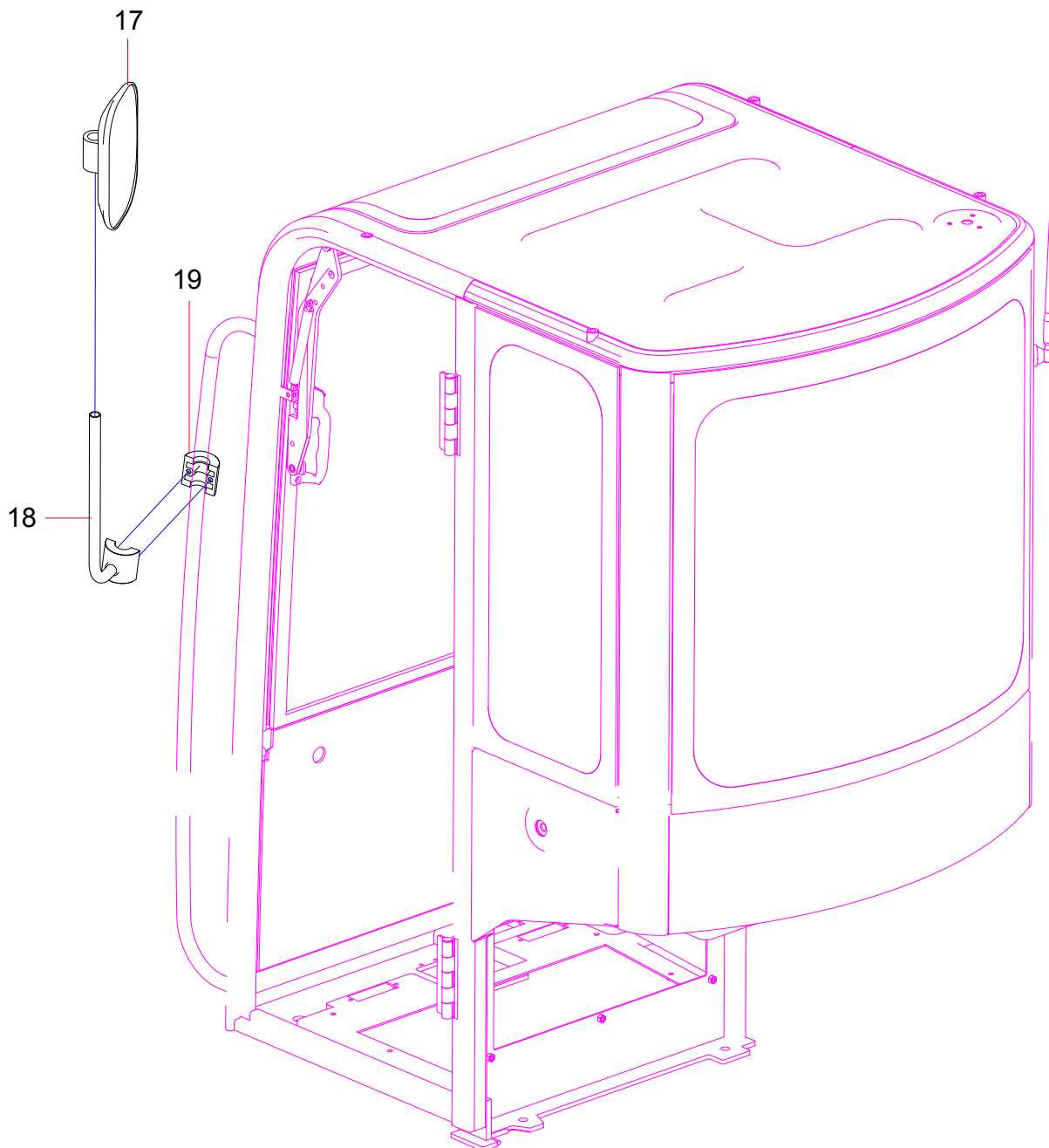




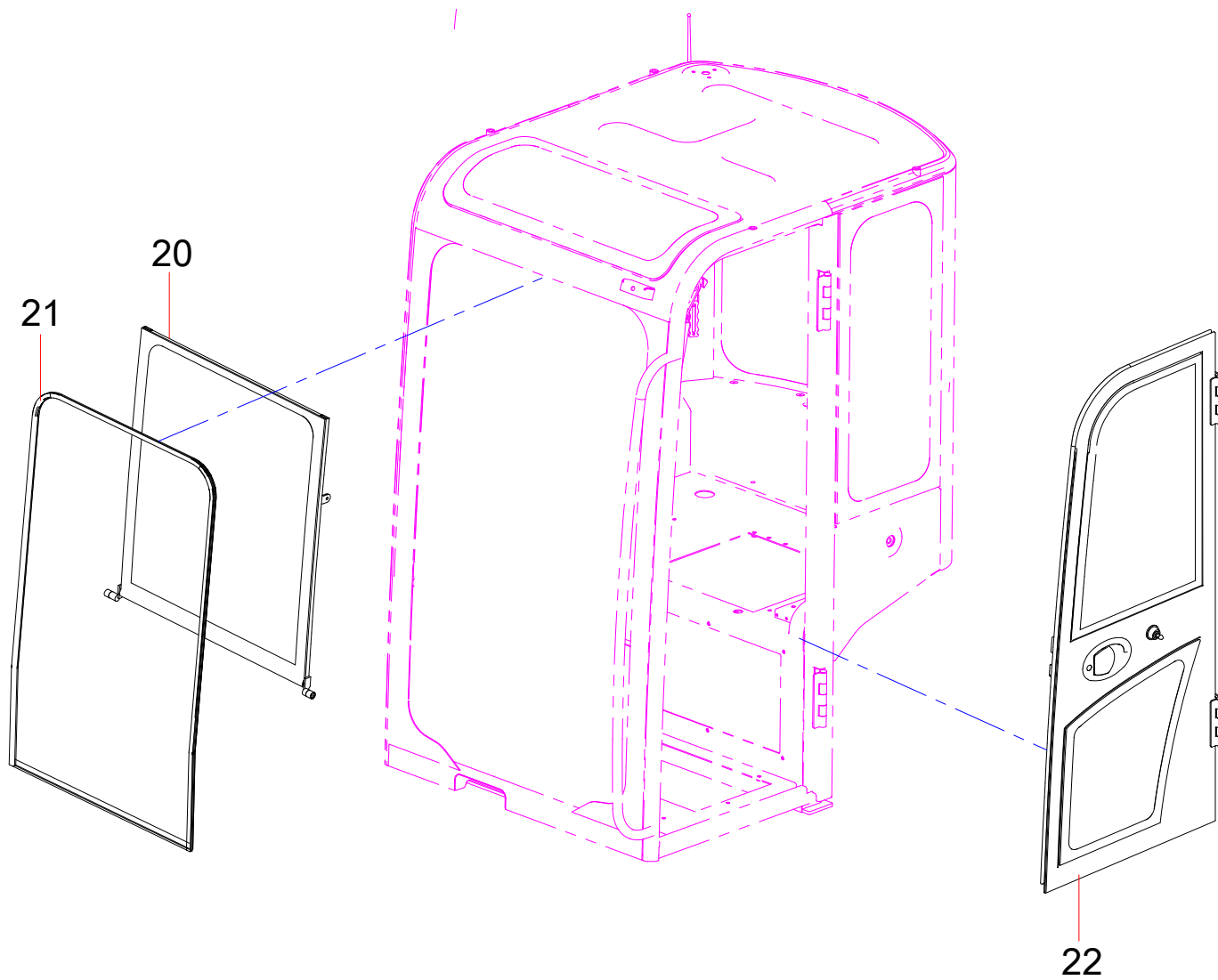
No.	Part No.	Description	Qty	Page number
1	60344155	Front bottom glass	1	
2	60344159	Right windows	1	
3	60344156	Top glass	1	
4	60344161	Back glass	1	
5	60344162	Left back glass	1	
6	60166748	rearview	1	3-30



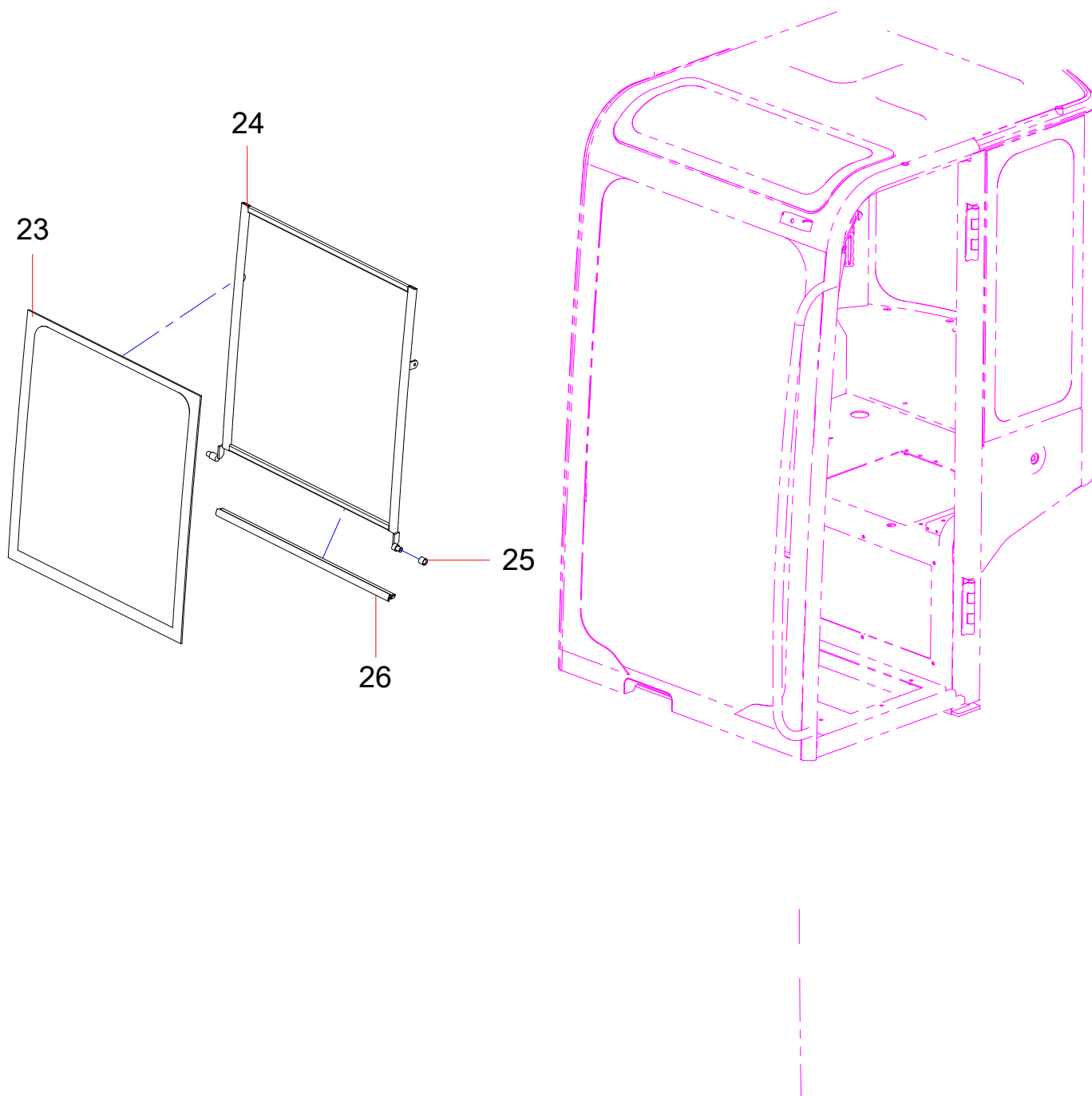
No.	Part No.	Description	Qty	Page number
7	60344849	Door lock cover	1	
8	60344164	Door bottom glass	1	
9	60248549	lock handle from outside	1	
10	60248550	lock of door	1	
11	61018718	Cab door up glass	1	
12	60248551	lock catch of door	1	
13	60248575	handle indoor	1	
14	60344588	Door sealant strip	1	
15	60023703	Speaker	2	
16	60023704	Antenna	1	



No.	Part No.	Description	Qty	Page number
17	A229900001398	Mirror, rear-view	1	
18	60166738	Support of rearview mirror (2)	1	
19	60166737	Support of rearview mirror (1)	1	

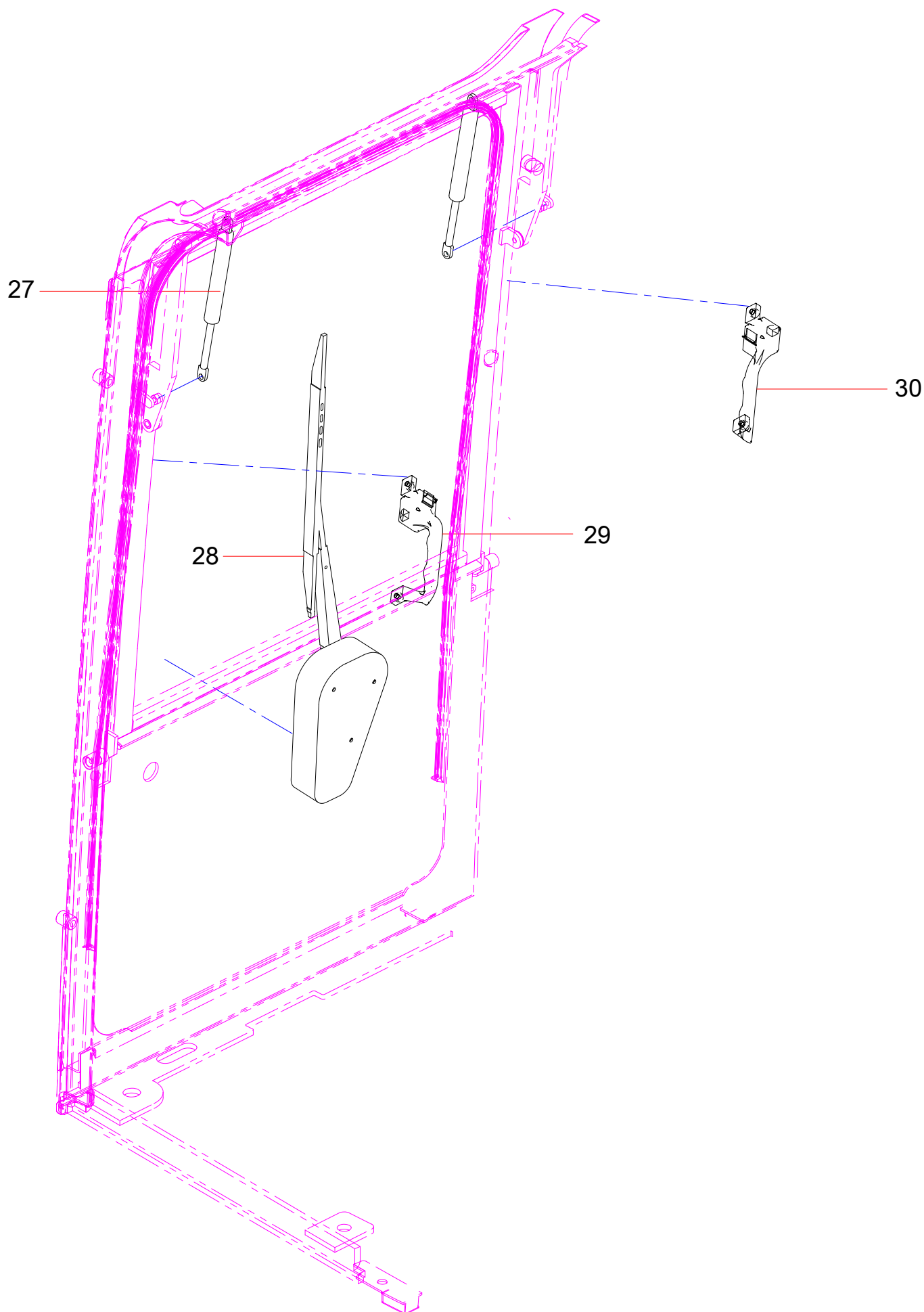


No.	Part No.	Description	Qty	Page number
20	60344590	Front rubber strip	1	
21	60248532	sealing rubber strip of front window	1	
22	61018717	Cab door assembly	1	

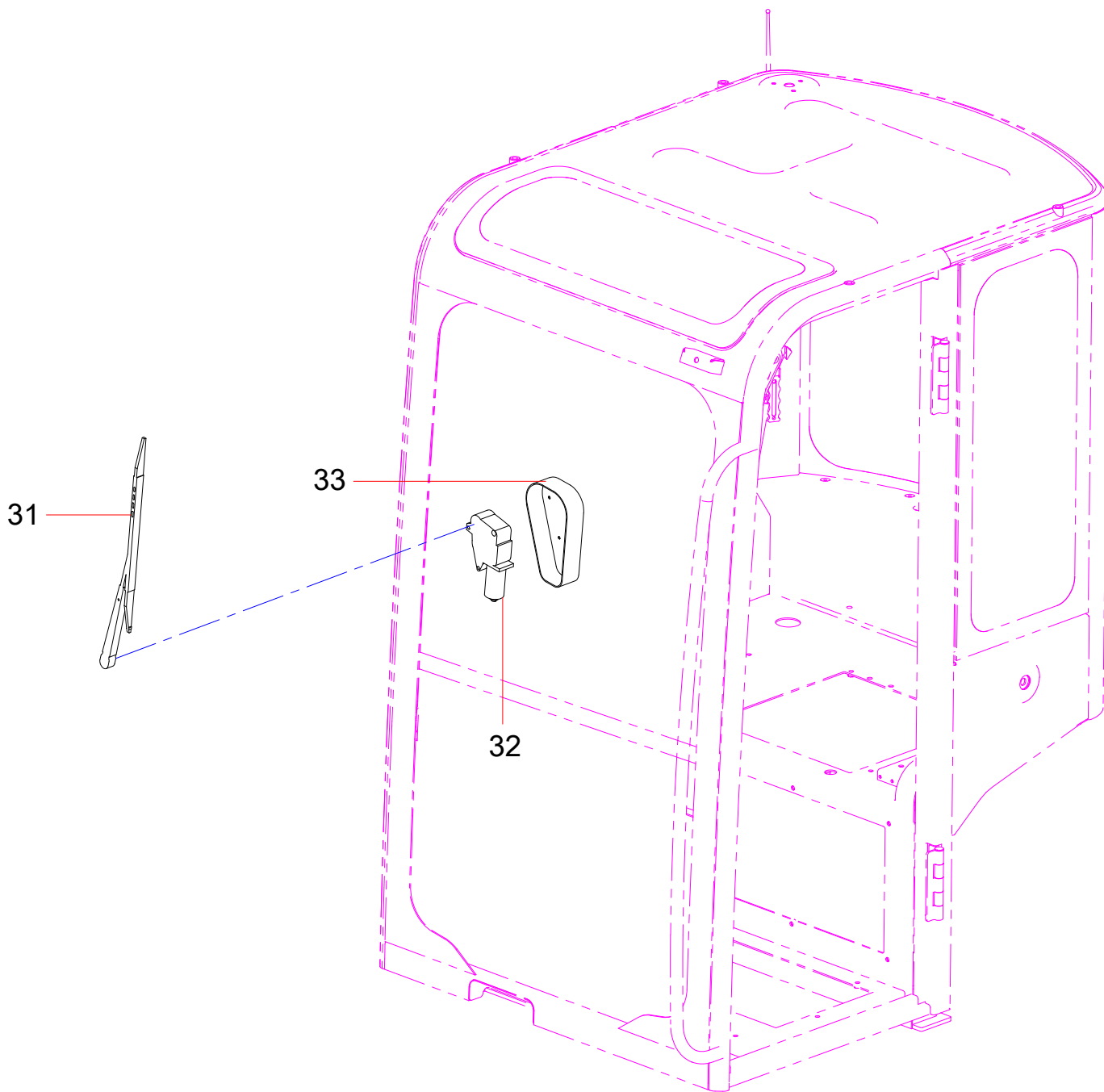




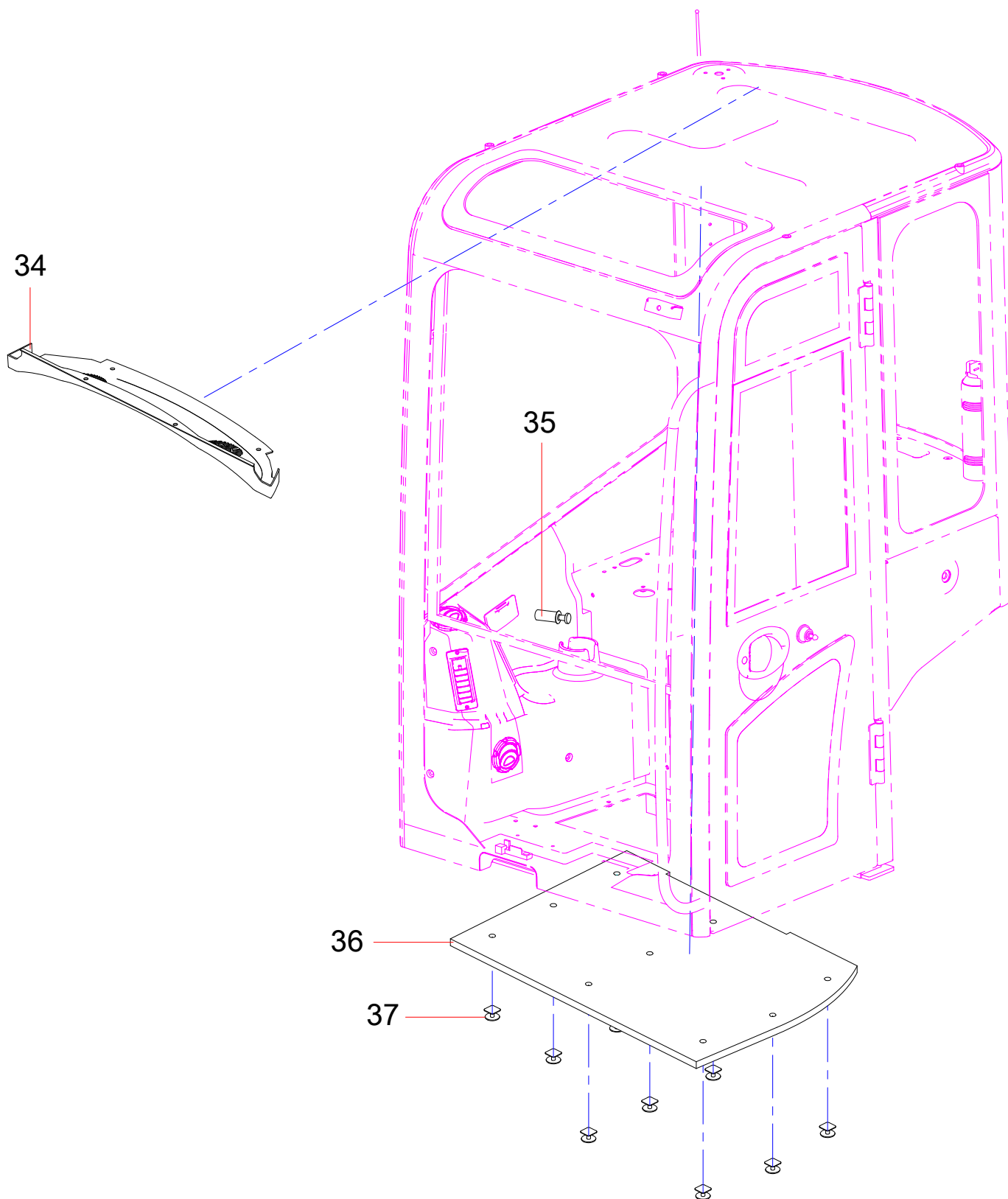
No.	Part No.	Description	Qty	Page number
23	60344154	Front move glass	1	
24	60344592	Front window frame	1	
25	60344594	Front window roller wheel	2	
26	60344593	Front window bottom rubber strip	1	



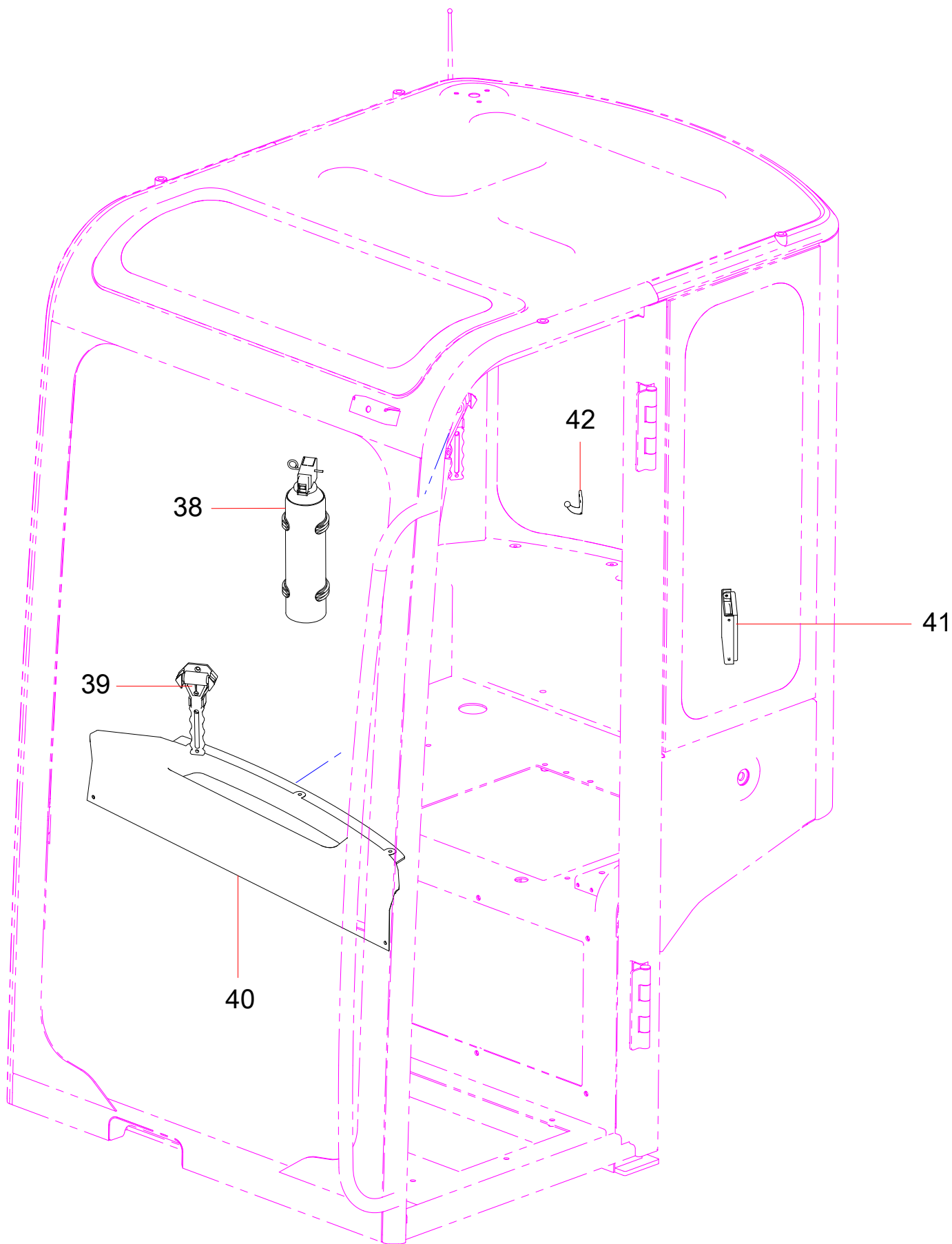
No.	Part No.	Description	Qty	Page number
27	60344595	Gas spring	2	
28	60248560	windscreen wiper assembly	1	
29	60248547	lock of front window(left)	1	
30	60248548	lock of front window(right)	1	



No.	Part No.	Description	Qty	Page number
31	60248561	wiper arm	1	
32	60248562	wiper motor	1	
33	60248583	plastic cover of windscreen wiper	1	

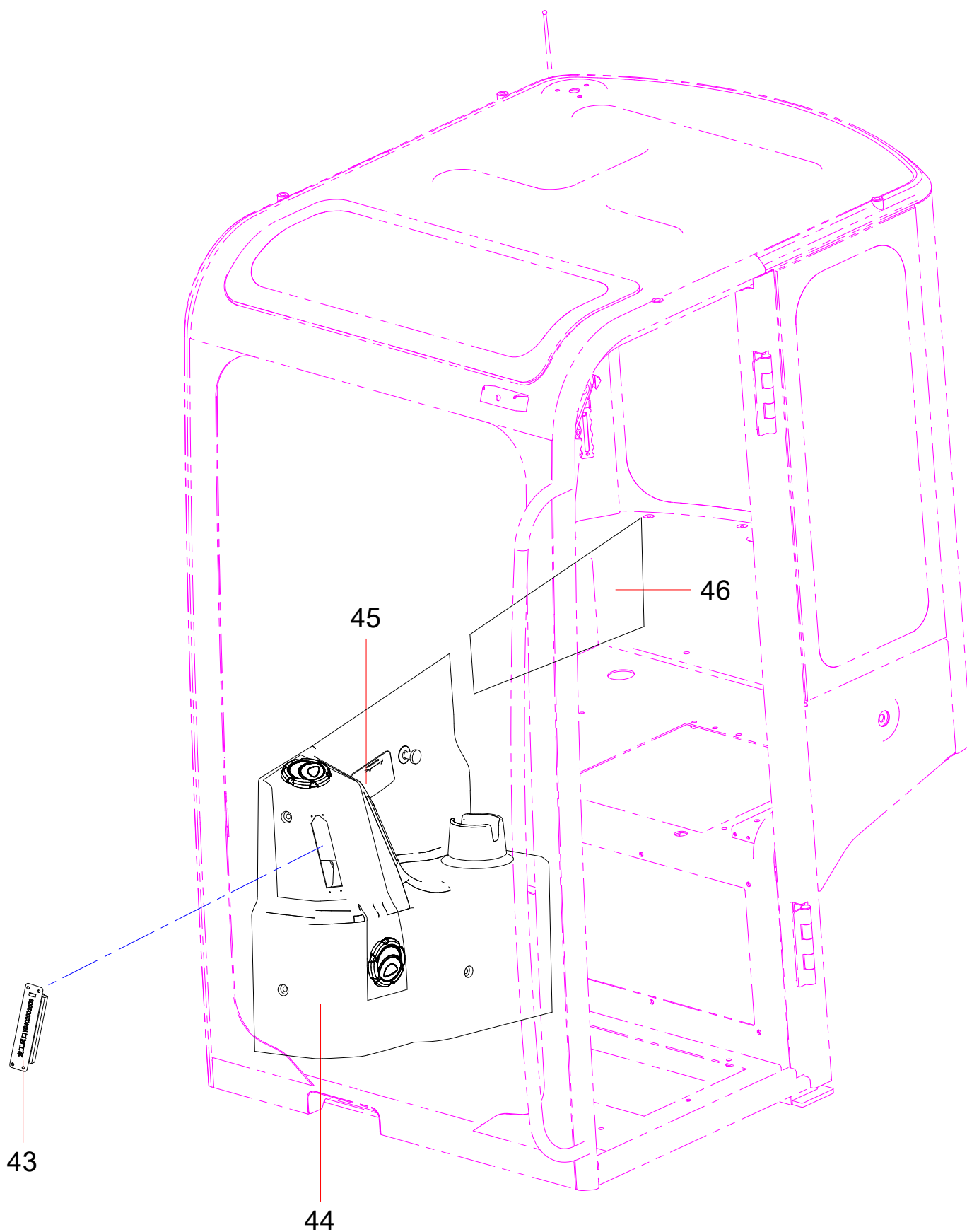


No.	Part No.	Description	Qty	Page number
34	60344596	Horn cover	1	
35	60248582	cigarette lighter	1	
36	60344597	Top sponge	1	
37	60248586	pintle of top thermal insulation sponge	9	

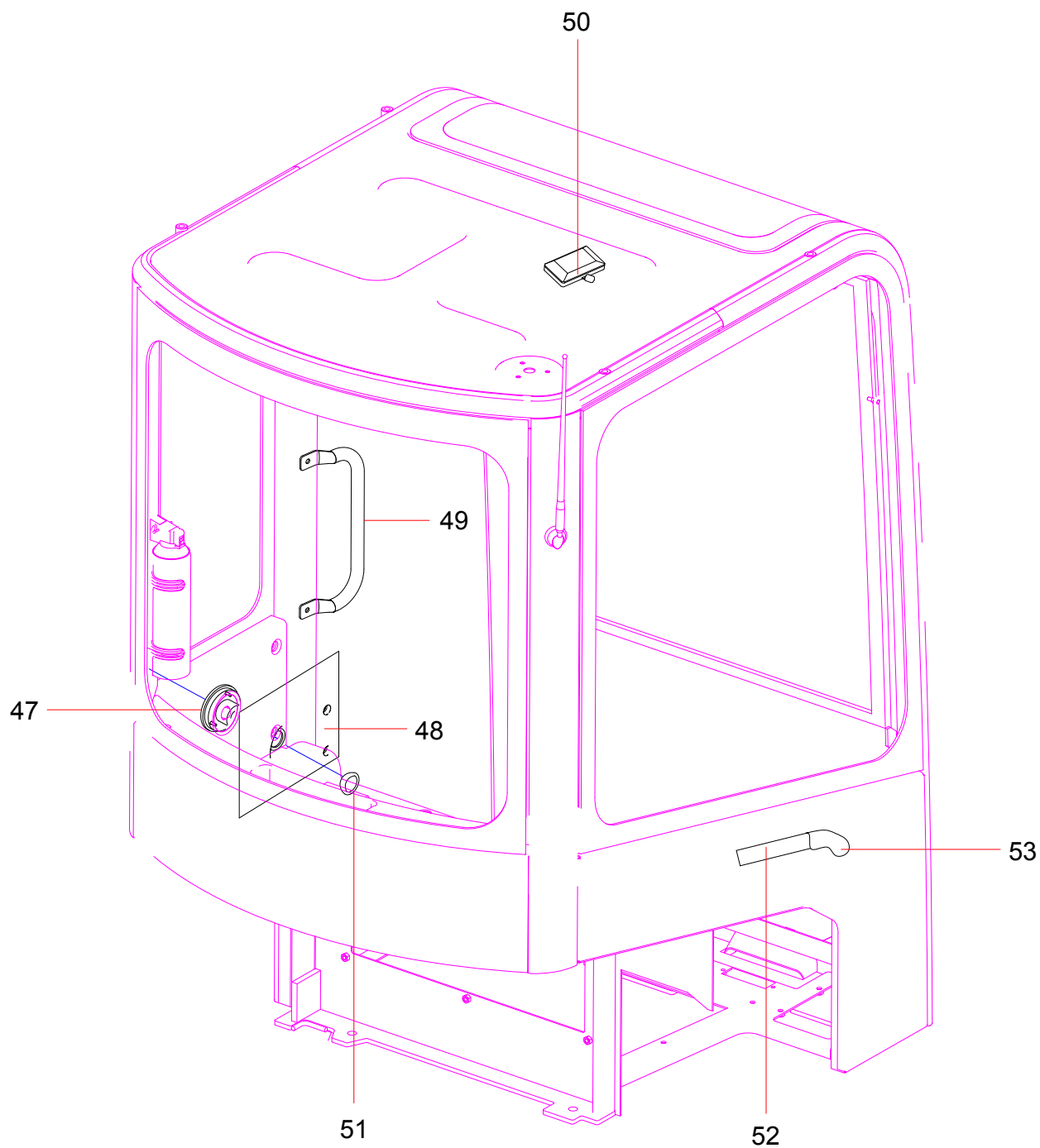




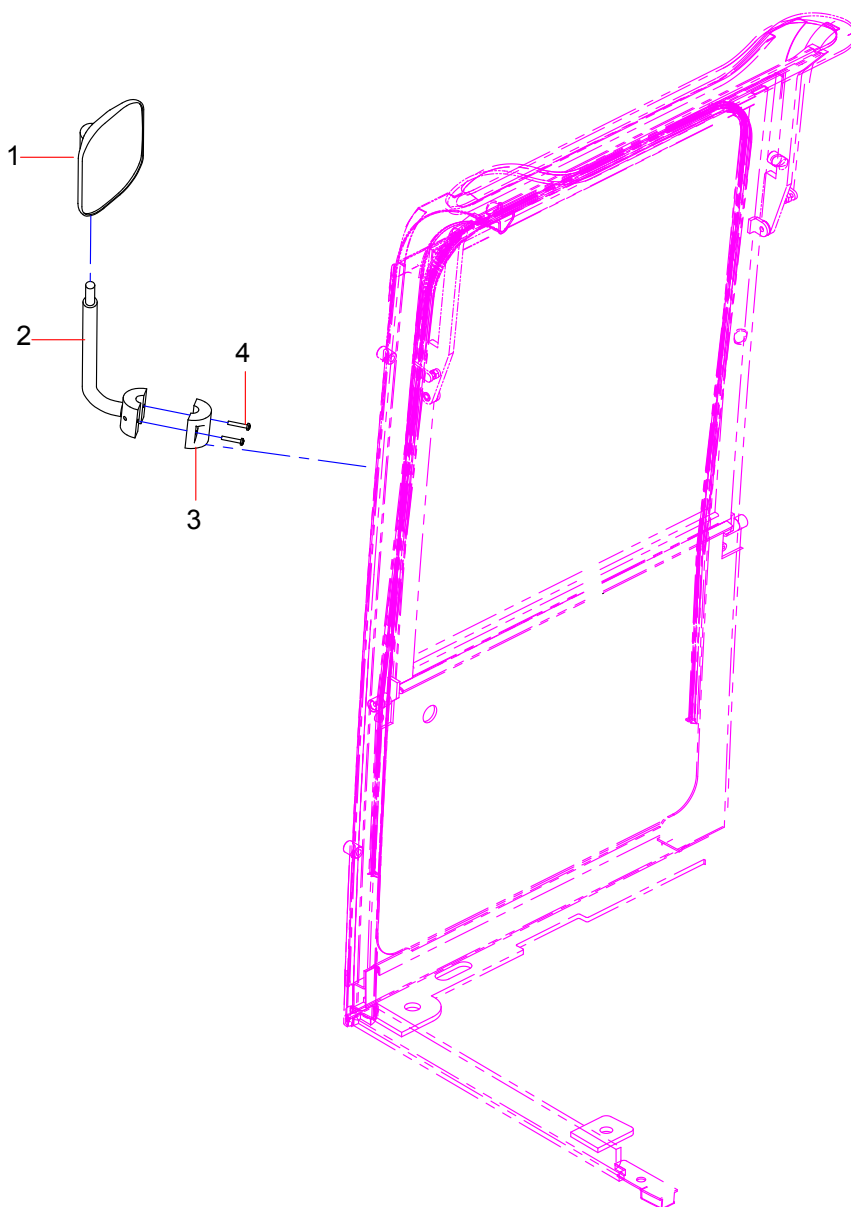
No.	Part No.	Description	Qty	Page number
38	60001289	Fire Extinguisher	1	
39	60052666	Safety hammer	1	
40	60344598	Rear side inner plaque	1	
41	60248553	saucer	1	
42	60166735	Pin rail	1	



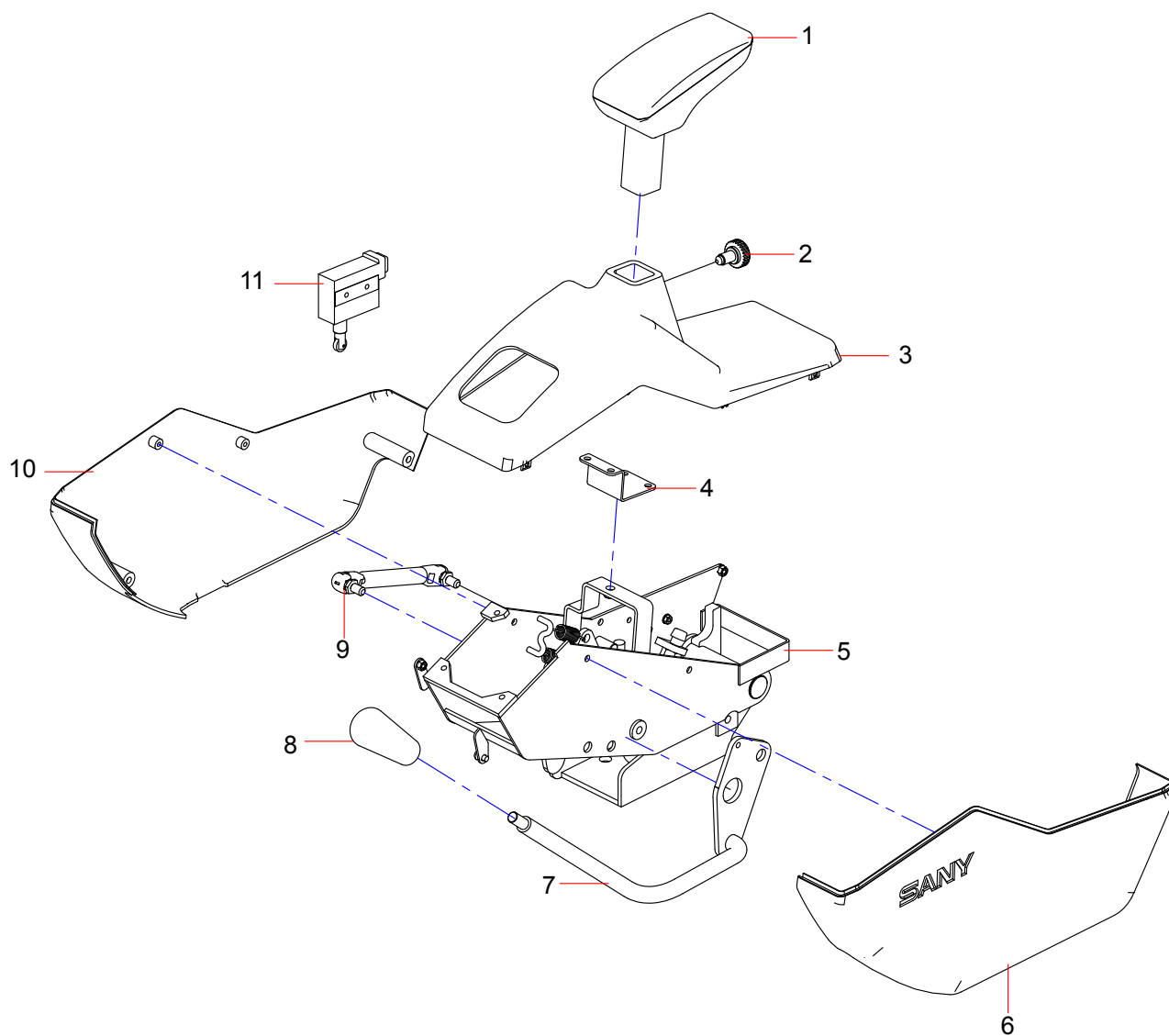
No.	Part No.	Description	Qty	Page number
43	60248556	front defroster outlet	1	
44	60344599	Right all inner plaque	1	
45	60344600	Right front inner plaque	1	
46	60344601	Right back inner plaque	1	



No.	Part No.	Description	Qty	Page number
47	60344602	Back lock	1	
48	60344603	Left inner plaque	1	
49	60248577	up handle	1	
50	60248555	wall lamp	1	
51	60328545	new back lock rubber cover	1	
52	60344604	Lock handle	1	
53	60344605	Back lock sleeve	1	

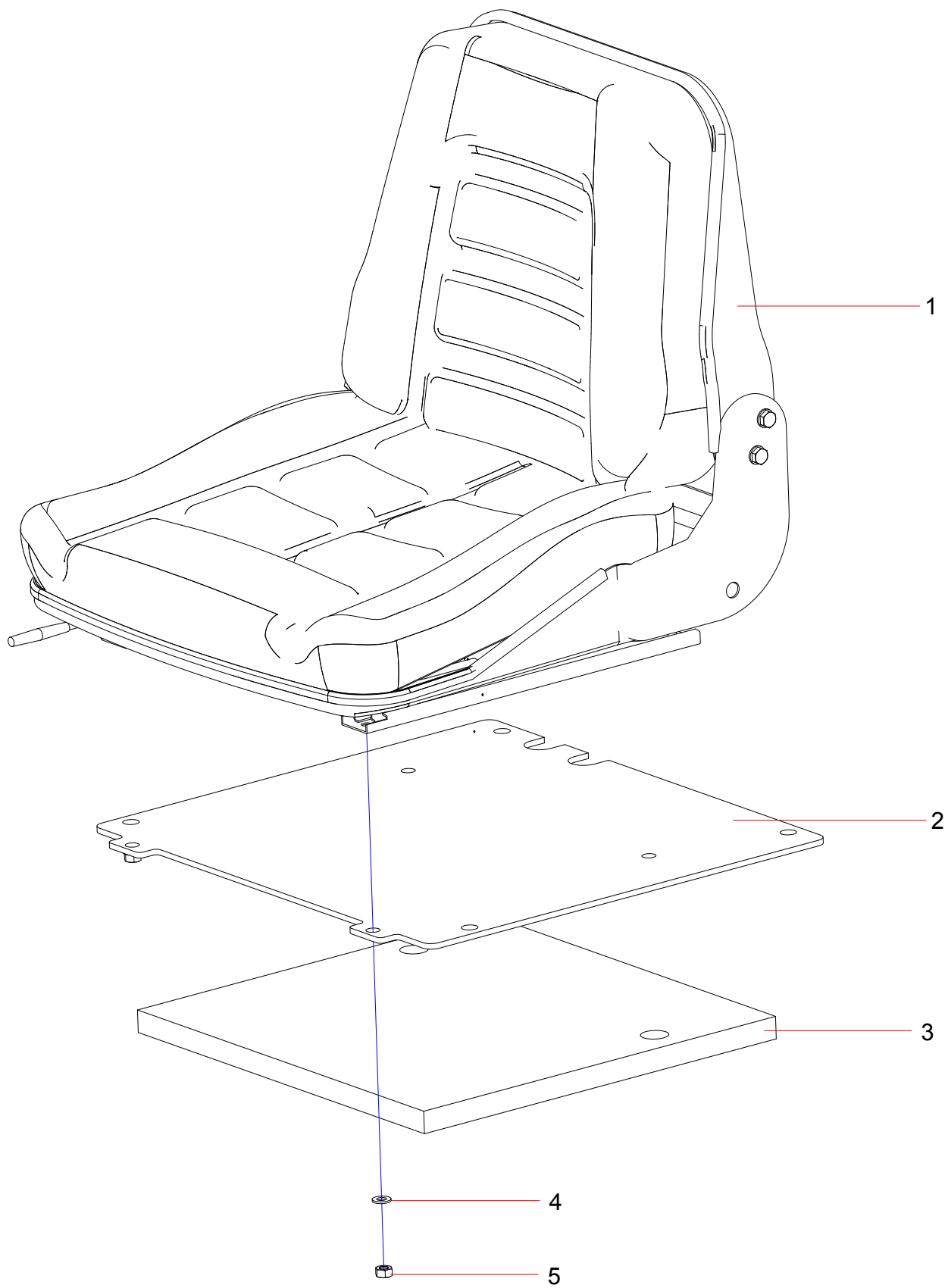


No.	Part No.	Description	Qty	Page number
1	A229900001398	Mirror, rear-view	1	
2	60166738	Support of rearview mirror (2)	1	
3	60166737	Support of rearview mirror (1)	1	
4	A210204000181	Screw	2	

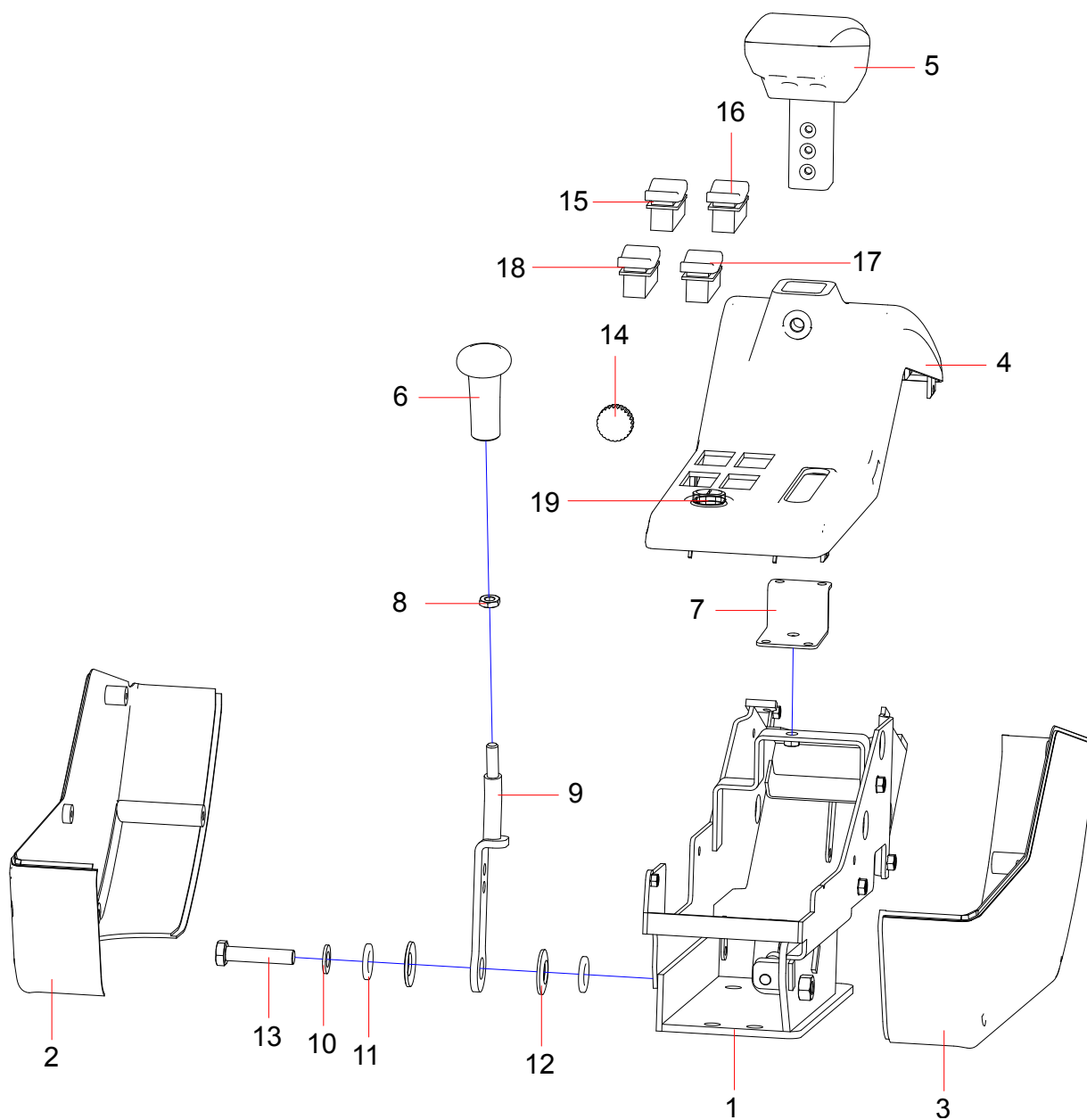




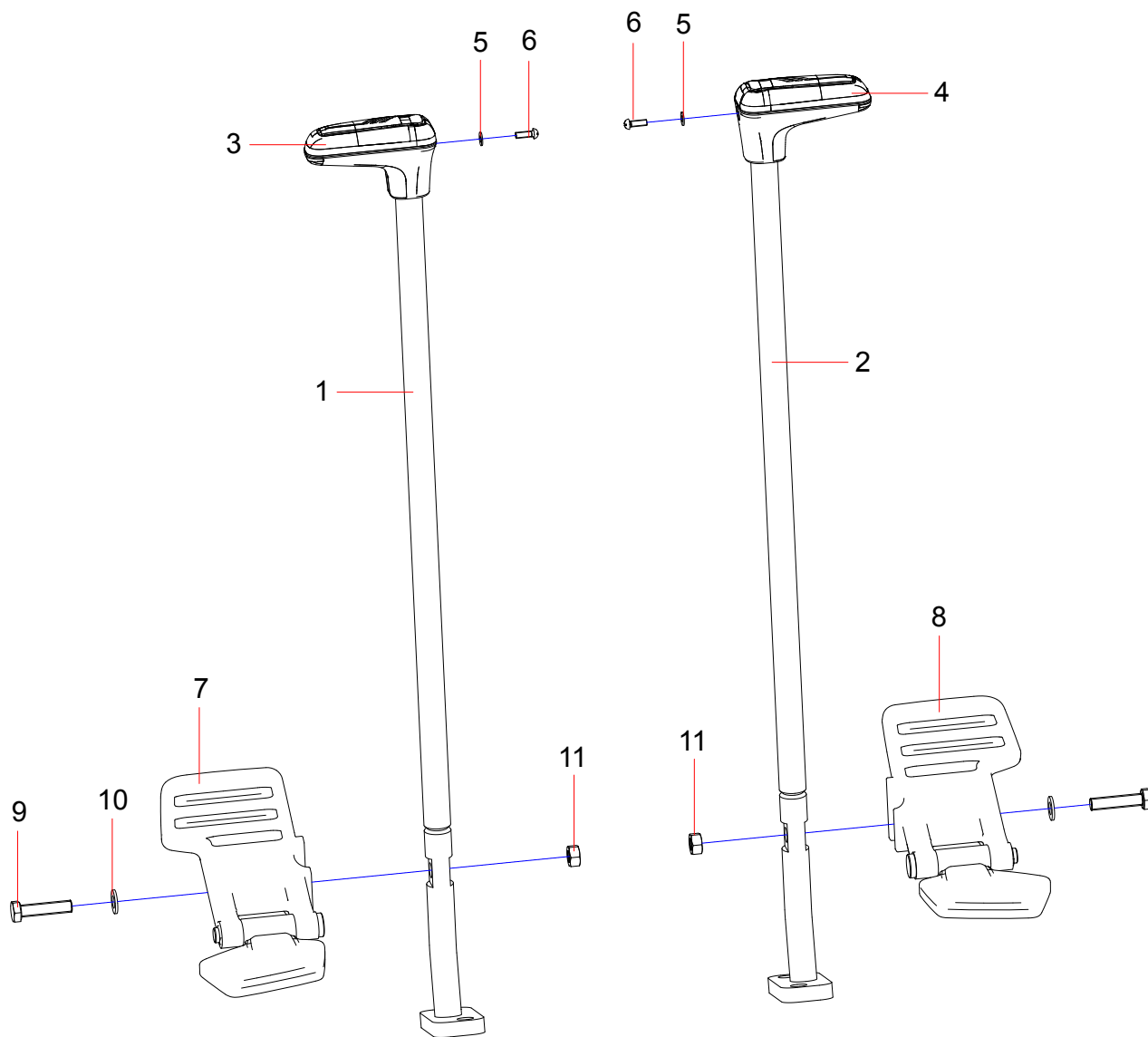
No.	Part No.	Description	Qty	Page number
1	60259927	hand rail	1	
2	60259923	hand rail limit	1	
3	60259919	left armrest box upper cover	1	
4	60259920	upper cover anchor	1	
5	60292211	left armrest box framework	1	
6	60259922	left armrest box left shell	1	
7	60259925	handle lever	1	
8	60259924	handle	1	
9	60309855	gas spring	1	
10	60259921	left armrest box right shell	1	
11	60250079	journey switch	1	



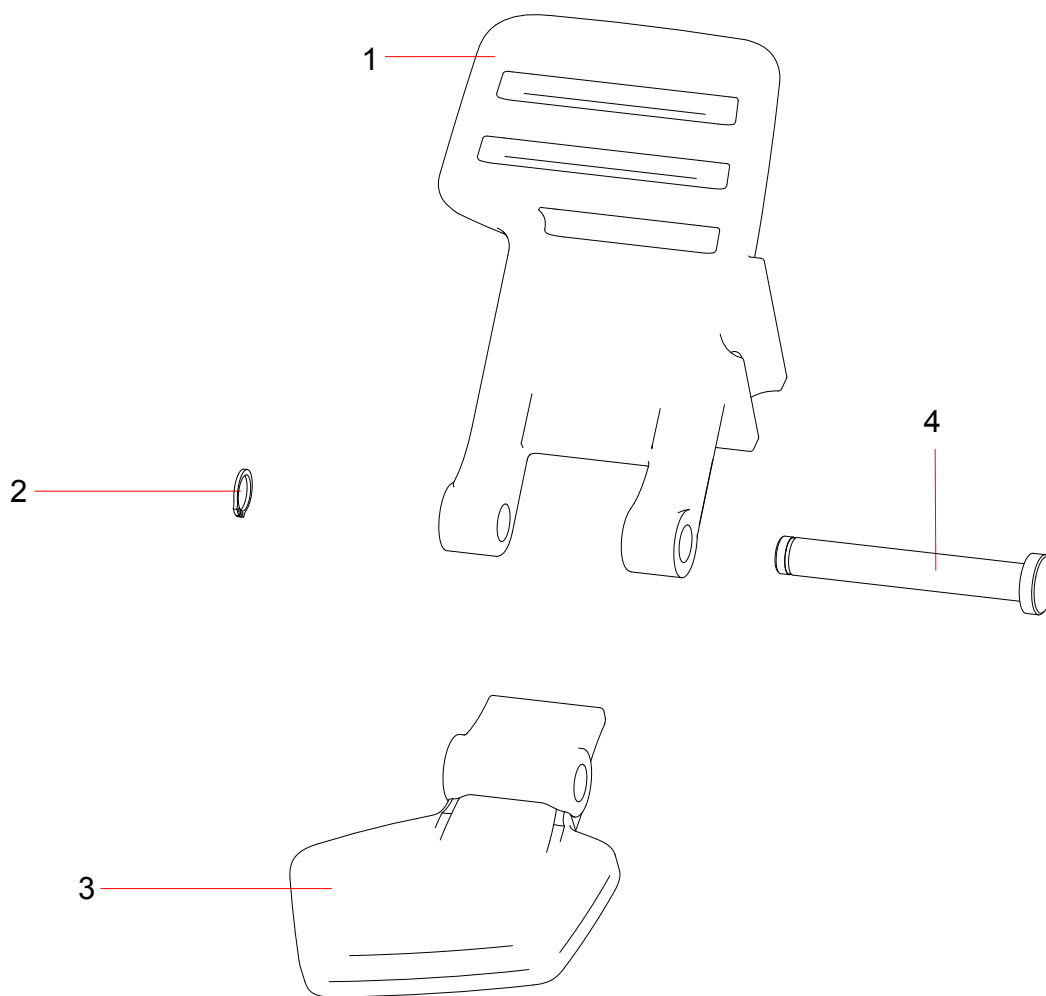
No.	Part No.	Description	Qty	Page number
1	130903000041A	seat	1	
2	13004843	seat installation plate	1	
3	13004844	seat base component sponge	1	
4	24000633	Washer	4	
5	A210307000012	Nut	4	



No.	Part No.	Description	Qty	Page number
1	60292210	right armrest box framework	1	
2	60259930	right armrest box left shell	1	
3	60259929	Right armrest box right shell	1	
4	60259928	right armrest box upper cover	1	
5	60259927	hand rail	1	
6	60259934	throttle handle	1	
7	60259920	upper cover anchor	1	
8	A210307000012	Nut	1	
9	60259935	throttle rod	1	
10	24000637	Washer	1	
11	60292653	drawing wire cushion	2	
12	60295005	mat	2	
13	A210111000028	Bolt	1	
14	60259923	hand rail limit	1	
15	61020294	Alarm lamp switch	1	
16	60306444	rocker switch	1	
17	60306443	rocker switch	1	
18	60306445	rocker switch	1	
19	60218598	Ignition switch	1	

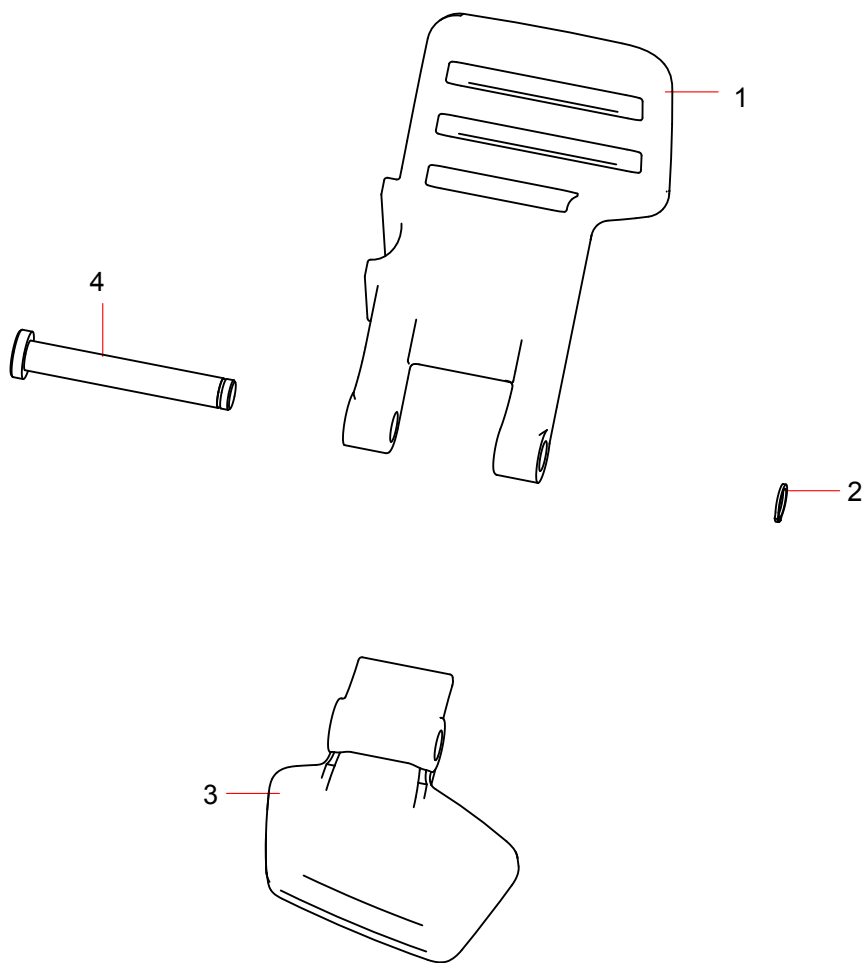


No.	Part No.	Description	Qty	Page number
1	12985867	control lever	1	
2	12985868	right control lever	1	
3	12688927	Handle, left	1	
4	12691132	Right handle	1	
5	60060562	Washer	2	
6	A210210000030	Screw	2	
7	13603236	pedal assy	1	3-40
8	13603240	pedal assy	1	3-42
9	A210111000092	Bolt	2	
10	24000633	Washer	2	
11	A210307000055	Nut	2	

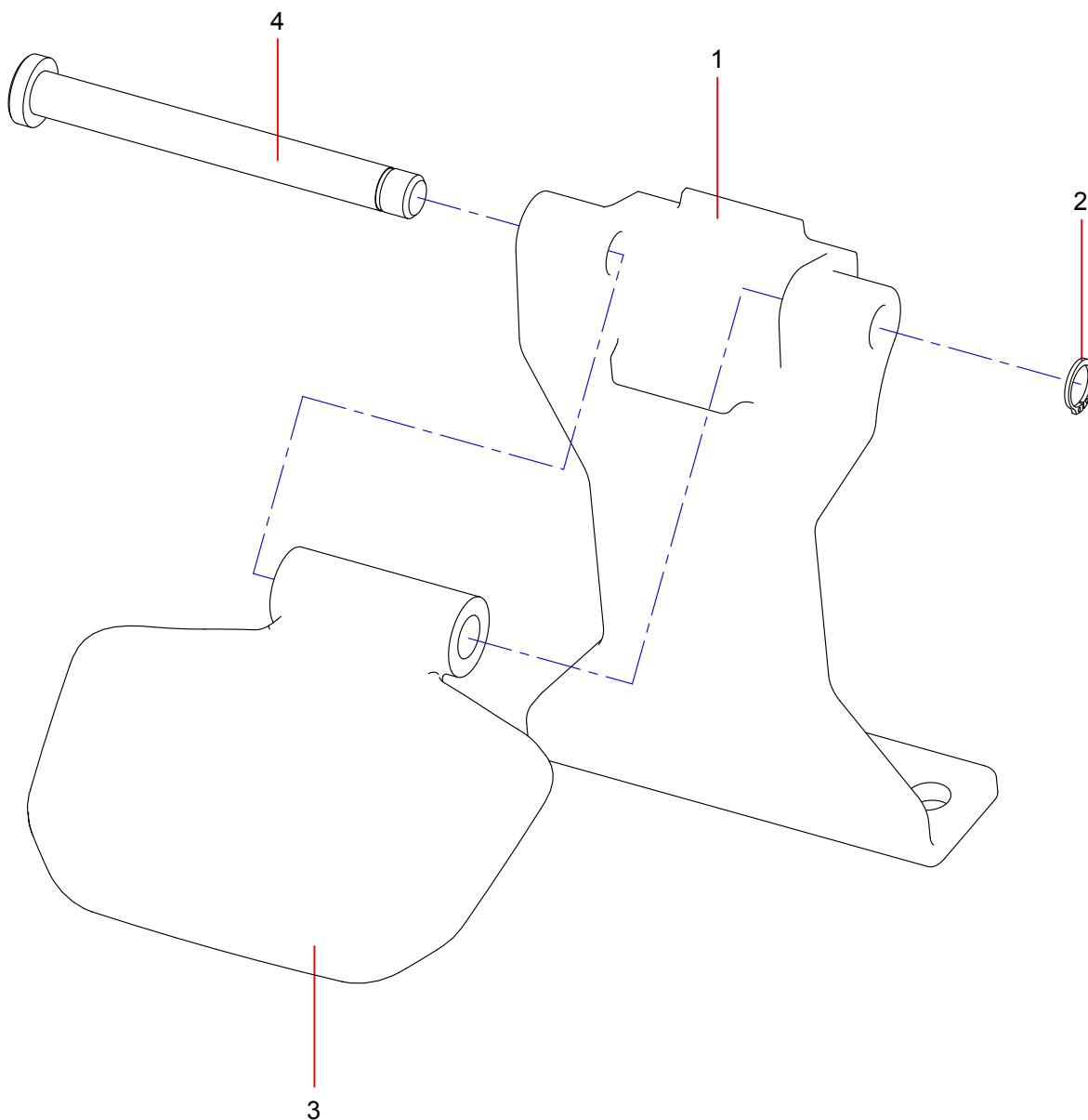




No.	Part No.	Description	Qty	Page number
1	13603234	front pedal	1	
2	A210414000011	Retainer Ring	1	
3	13603235	back pedal	1	
4	13603239	rotating shaft	1	



No.	Part No.	Description	Qty	Page number
1	13603237	front pedal	1	
2	A210414000011	Retainer Ring	1	
3	13603238	back pedal	1	
4	13603239	rotating shaft	1	

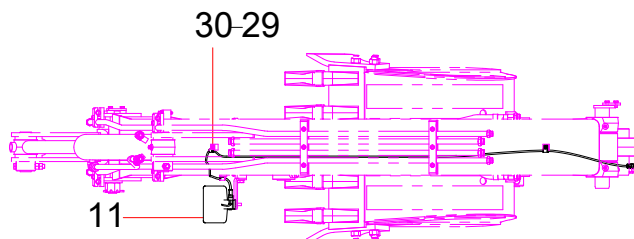
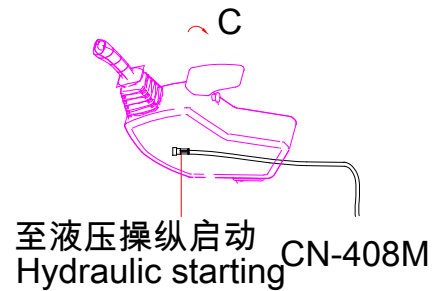
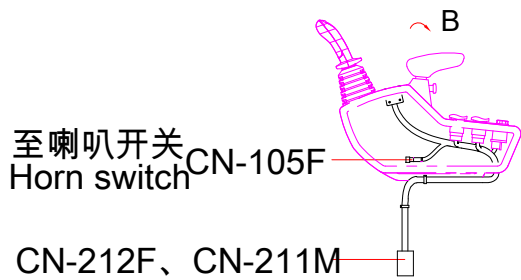
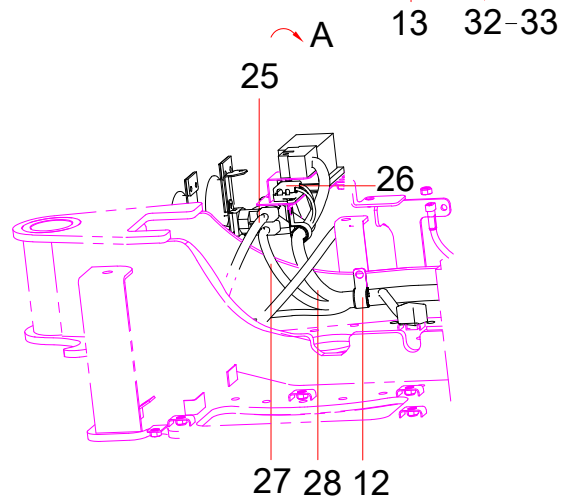
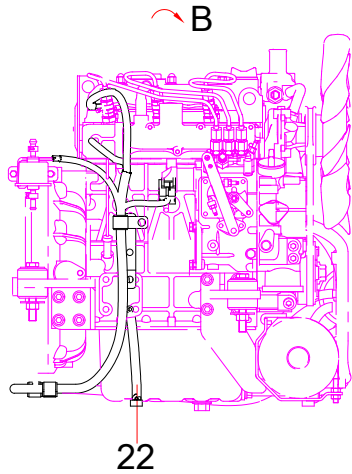
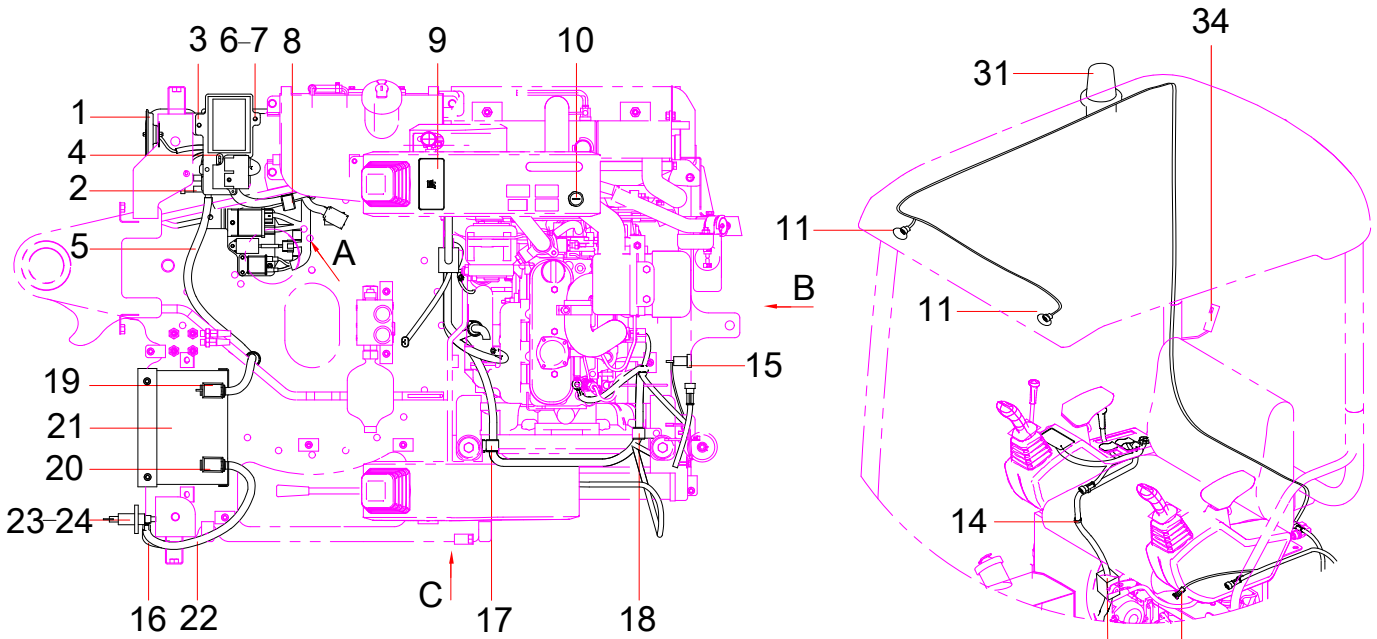


No.	Part No.	Description	Qty	Page number
1	13845264	installation frame	1	
2	A210414000011	Retainer Ring	1	
3	13603244	pedal	1	
4	13603245	rotating shaft	1	

BLANK PAGE

# Group 4

## Electrical assembly drawing



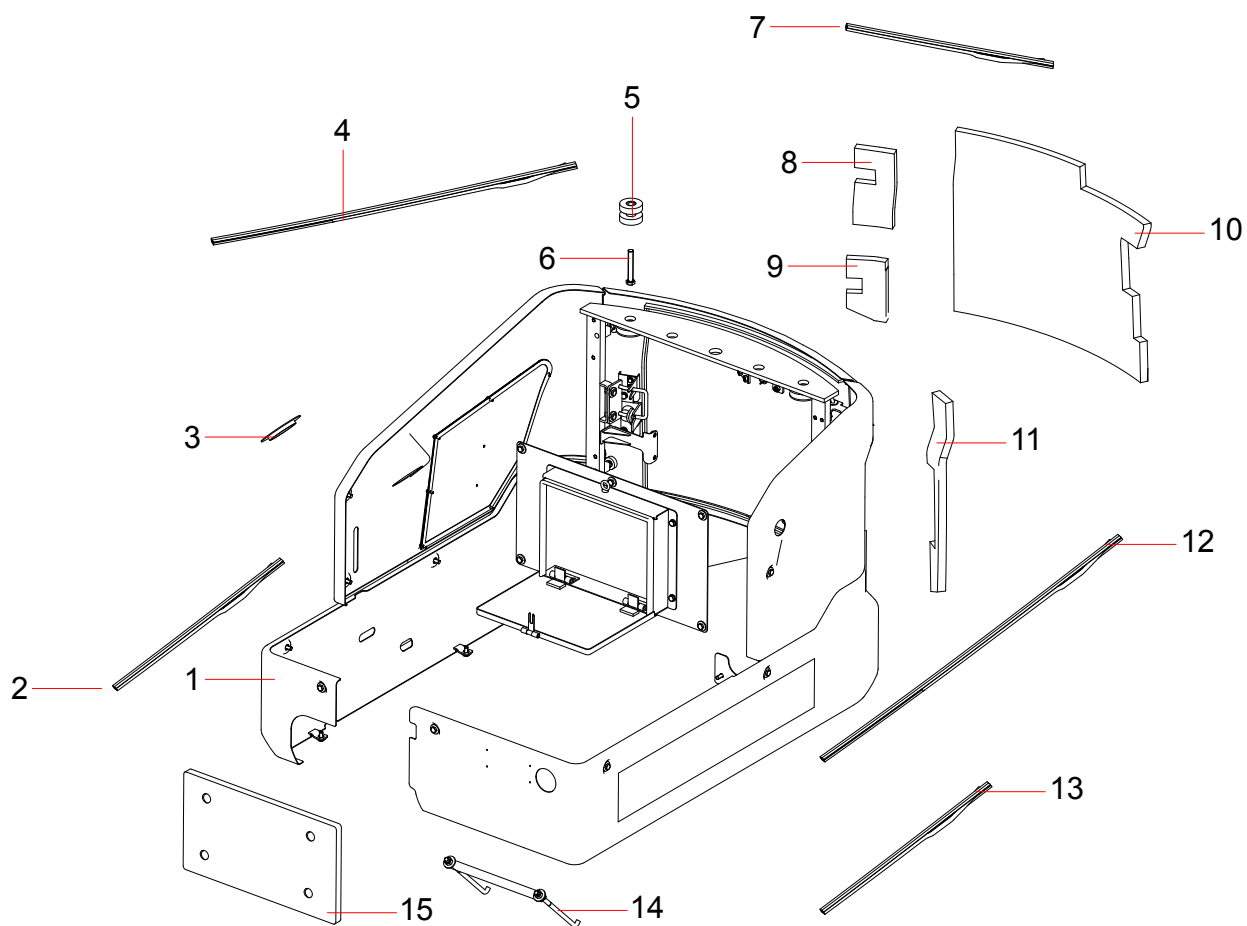


No.	Part No.	Description	Qty	Page number
1	60211509	Horn	1	
2	60114652	Relay	1	
3	12995001	fixed plate	1	
4	13698959	electronic plate	1	
5	13836439	Cab's harness	1	
6	A210111000079	Bolt	4	
7	A210405000006	Washer	4	
8	60086355	Fixity of Line	3	
9	61019660	Combination instrument	1	
10	60218598	Ignition switch	1	
11	60143661	Work Lamp	3	
12	60086356	Clamp	1	
13	14099976	Control Switch Harness	1	
14	60202078	Cluster Fixed Lace	4	
15	B241000000022	Receptacle,Power	1	
16	60193169	Power line	1	
17	60083322	Clamp	1	
18	60086354	Clamp	1	
19	60013322	Terminal Assembly,Battery,Positive	1	
20	60013321	Terminal Assembly,Battery,Negative	1	
21	60066402	Battery	1	
22	60136387	Power Supply Line	2	
23	13117005	power supply switch bearer	1	
24	60241333	Batterie Switch	1	
25	60136390	Power Supply Line	1	
26	A241300000059	Fuse Housing	1	
27	12988877	Power Harness	1	
28	13836812	Vehical Body Harness	1	
29	A210111000293	Bolt	18	
30	A210405000007	Washer	18	
31	60237043	Alarm lamp	1	
32	13369997	emergency stop switch bracket	1	
33	B240200000059	Emergency Switch	1	
34	61030659	Radio	1	

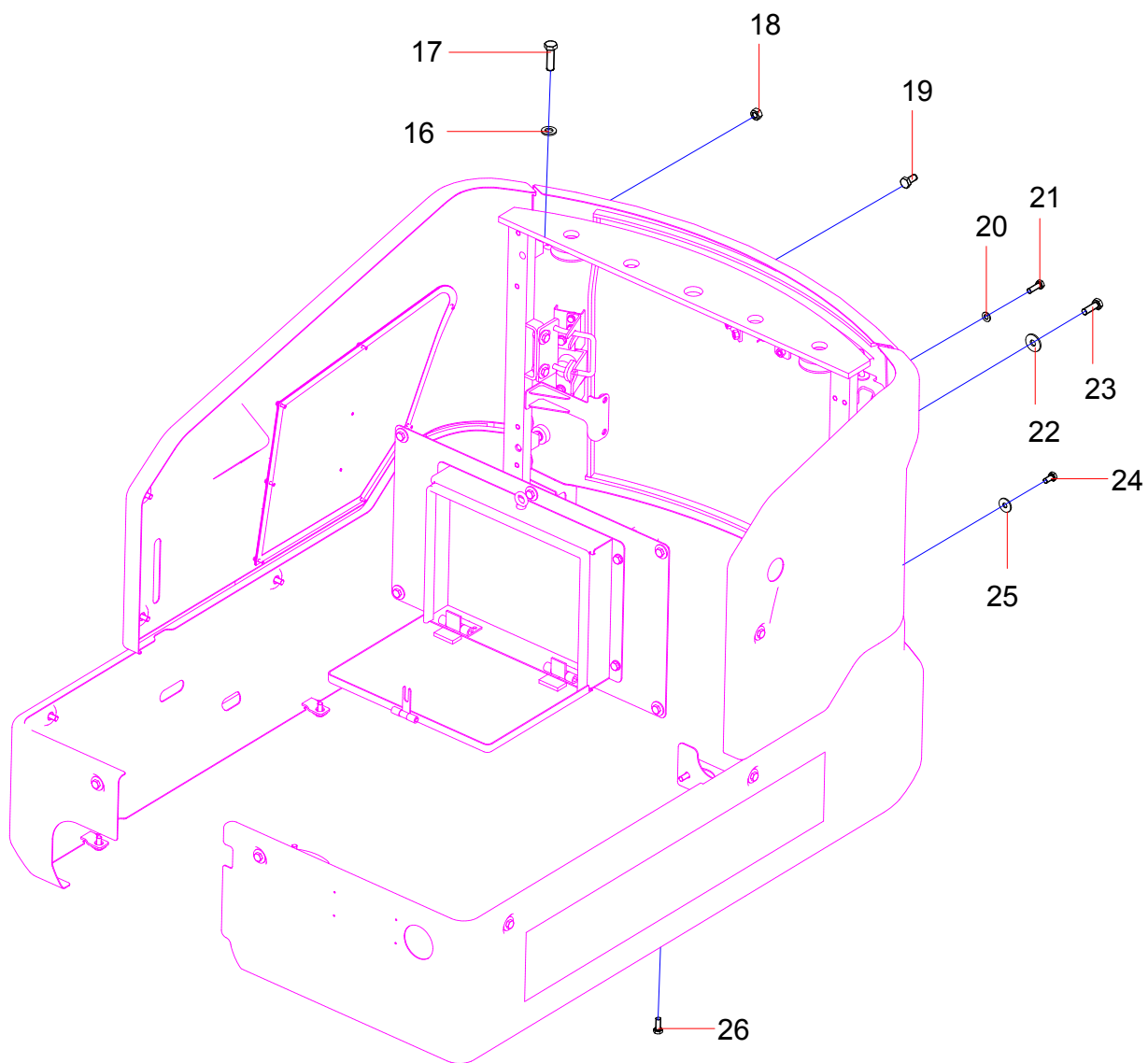
BLANK PAGE

# **Group 5**

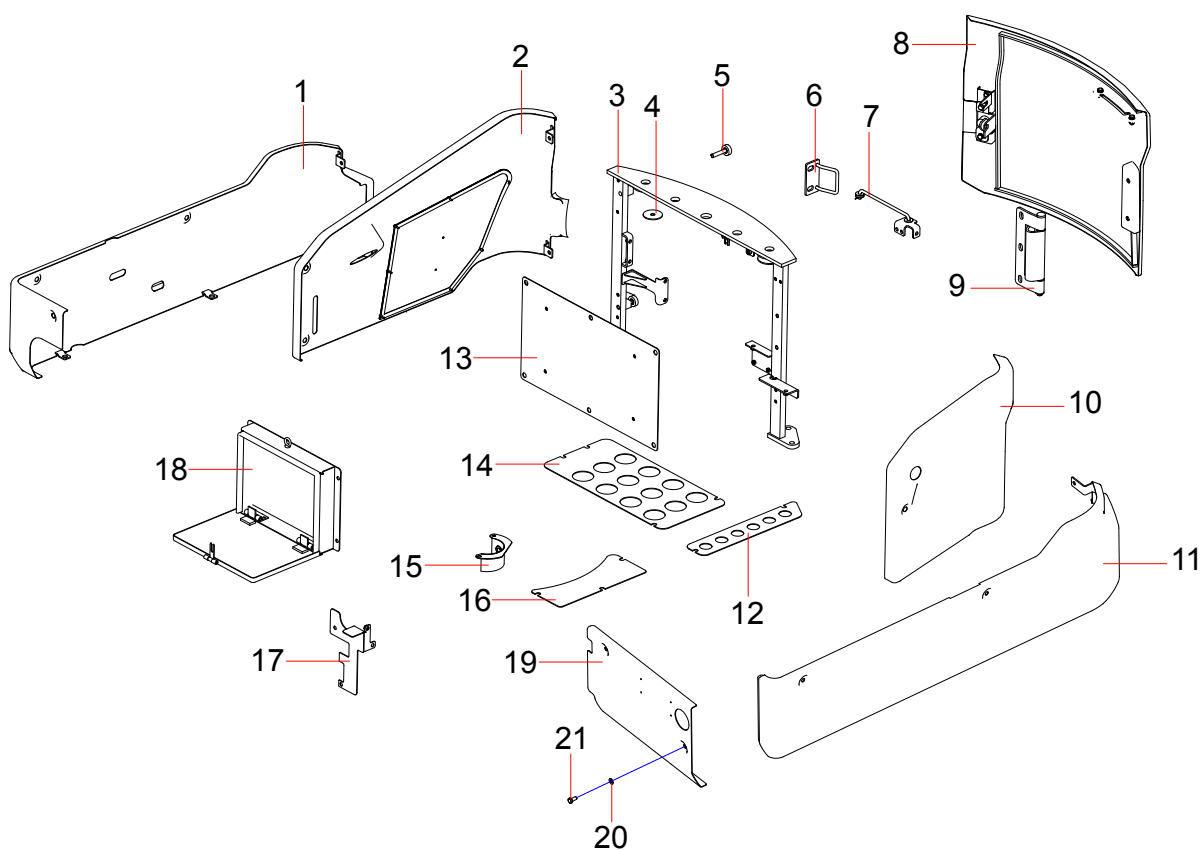
## **cab covering parts component**



No.	Part No.	Description	Qty	Page number
1	14530288	cab covering parts subassembly	1	5-6
2	14215928	right side beam beading	1	
3	13526615	fuel outlet protective sleeve	1	
4	14215927	right hood beading	1	
5	60226782	Damper	2	
6	A210111000127	Bolt	2	
7	14215929	rear hood beading	1	
8	13209486	rear hood right upper sponge	1	
9	13209487	rear hood right lower sponge	1	
10	13209484	rear hood middle sponge	1	
11	13209485	rear hood left sponge	1	
12	14215926	left hood beading	1	
13	14215924	left side beam beading	1	
14	12995055	battery fixed component	1	5-18
15	13004371	engine compartment front cover plate inner sponge	1	

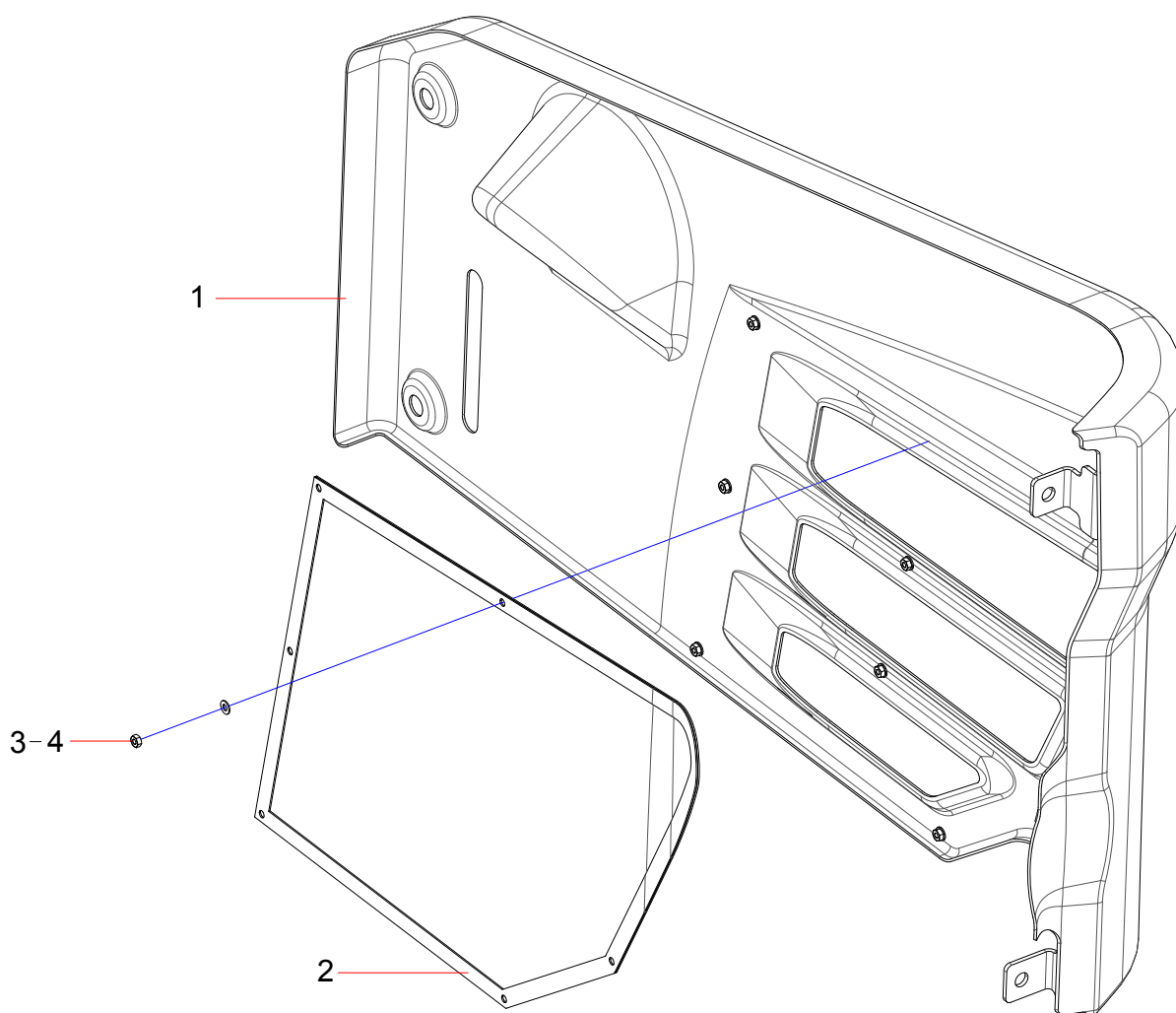


No.	Part No.	Description	Qty	Page number
16	24000639	Washer	4	
17	A210111000204	Bolt	4	
18	A210307000017	Nut	2	
19	A210111000012	Bolt	2	
20	24000633	Washer	11	
21	A210111000323	Bolt	2	
22	60060546	Washer	5	
23	A210111000024	Bolt	3	
24	A210111000342	Bolt	34	
25	60060565	Washer	39	
26	A210111000343	Bolt	14	

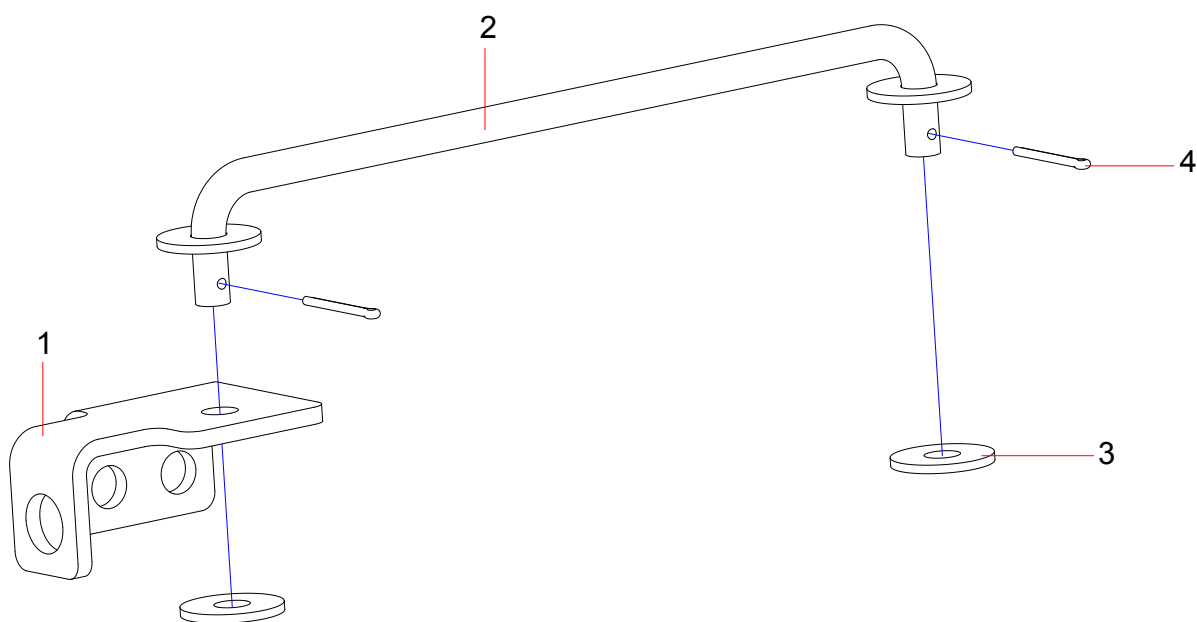




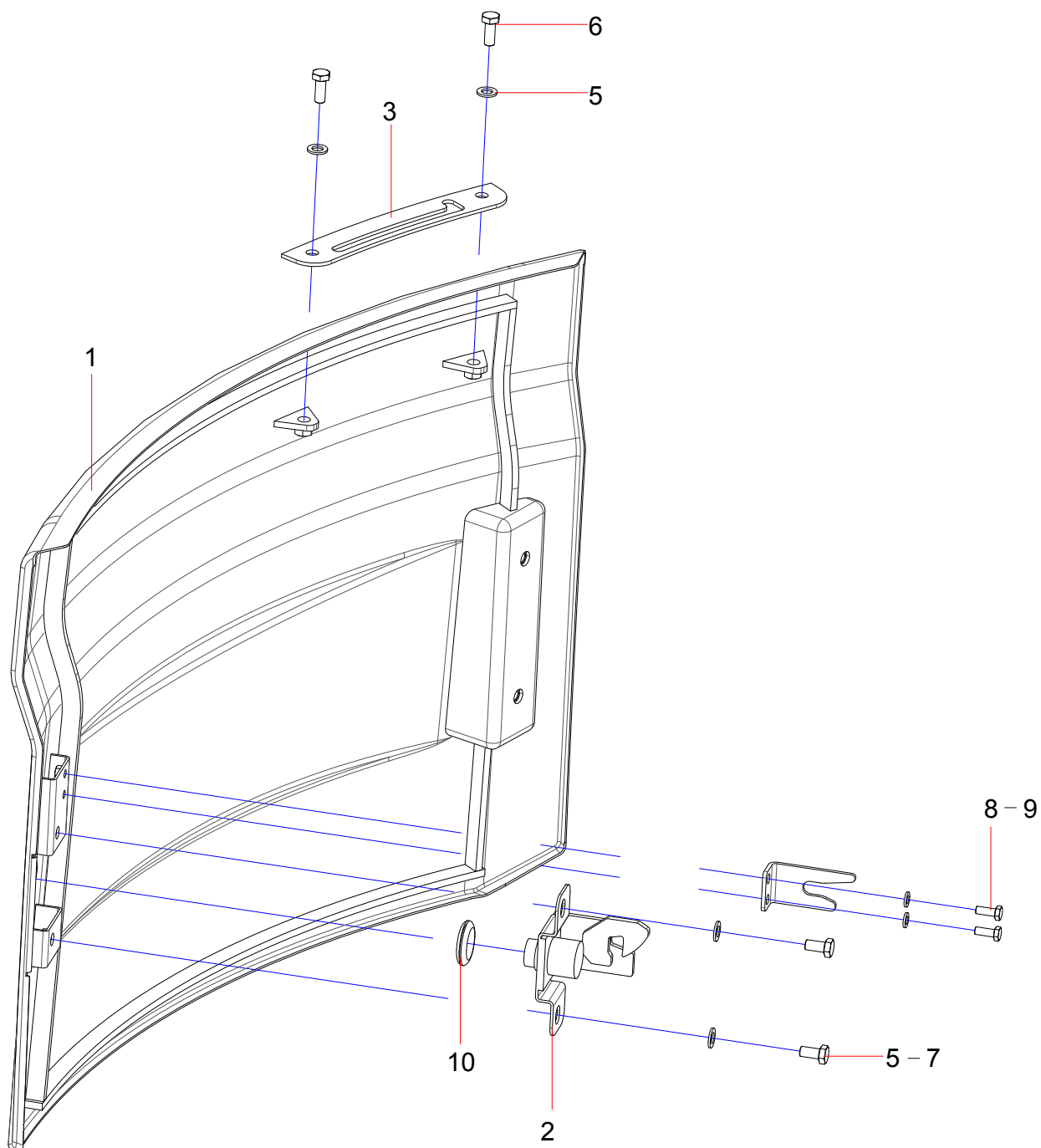
No.	Part No.	Description	Qty	Page number
1	14287437	right side beam component	1	
2	13004767	right-hand covering parts component	1	5-8
3	13003719	covering parts support	1	
4	13004265	damper lower backup plate	2	
5	A810502019056	Setscrew	2	
6	13004790	lock component	1	
7	13003635	wind hook installation component	1	5-10
8	13004787	rear hood component	1	5-12
9	13004387	long hinge component	1	5-14
10	13004758	left covering parts component	1	
11	14287431	covering parts left lower plate	1	
12	13004808	left rear sealing board	1	
13	13004372	engine compartment front cover plate	1	
14	14417014	rear bottom seal plate	1	
15	13004797	motor grease	1	
16	13886029	left front bottom board	1	
17	13004793	platform clapboard	1	
18	13400543	file case	1	5-16
19	14287469	left side beam component	1	
20	24000633	Washer	1	
21	A210111000342	Bolt	1	



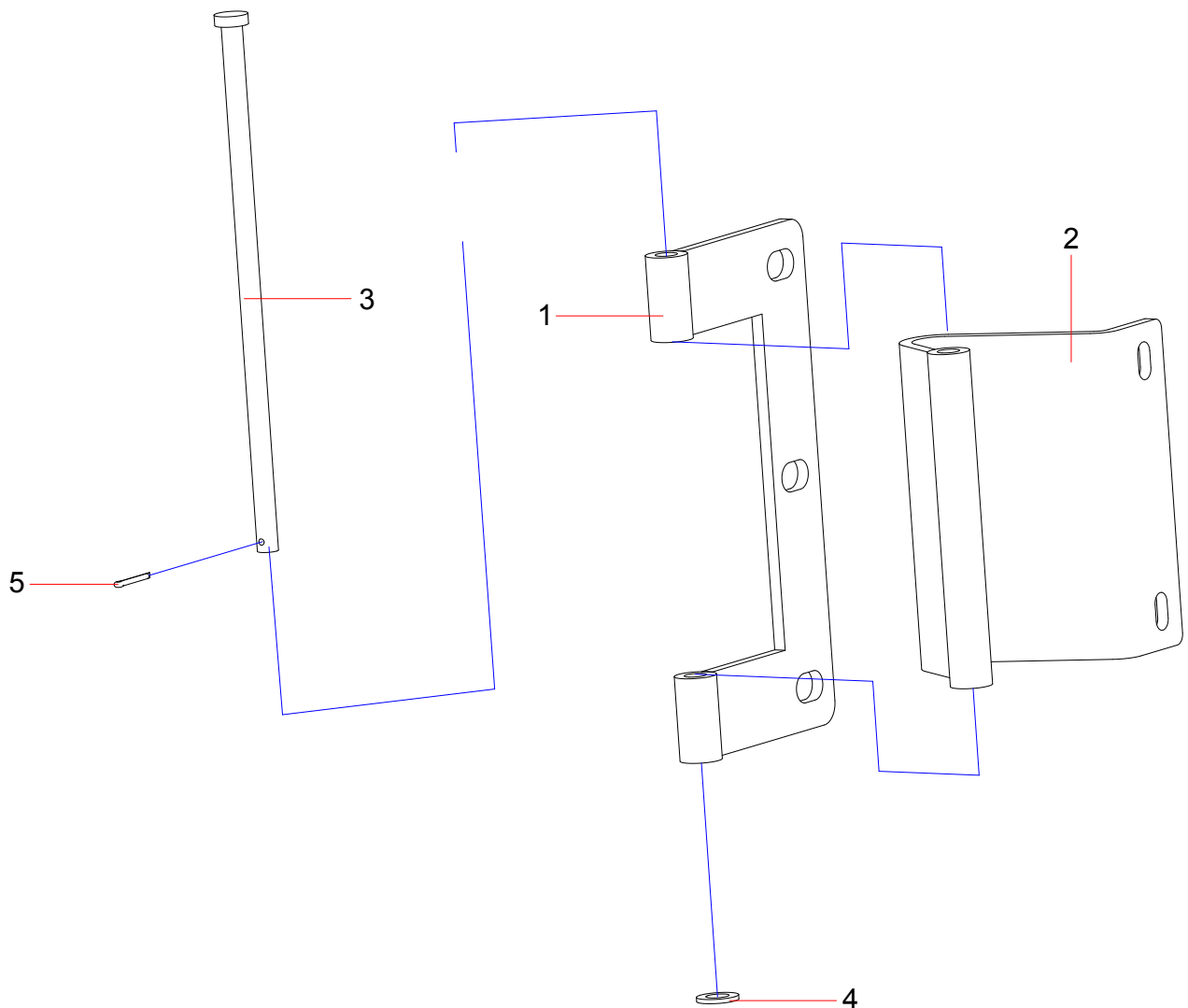
No.	Part No.	Description	Qty	Page number
1	13004763	right-hand covering parts component	1	
2	13004766	dust-proof net component	1	
3	A210405000004	Washer	9	
4	A210307000014	Nut	9	



No.	Part No.	Description	Qty	Page number
1	13003634	limit mounting plate	1	
2	13003583	wind hook component	1	
3	A210404000005	Washer	2	
4	A210491000010	Pin	2	

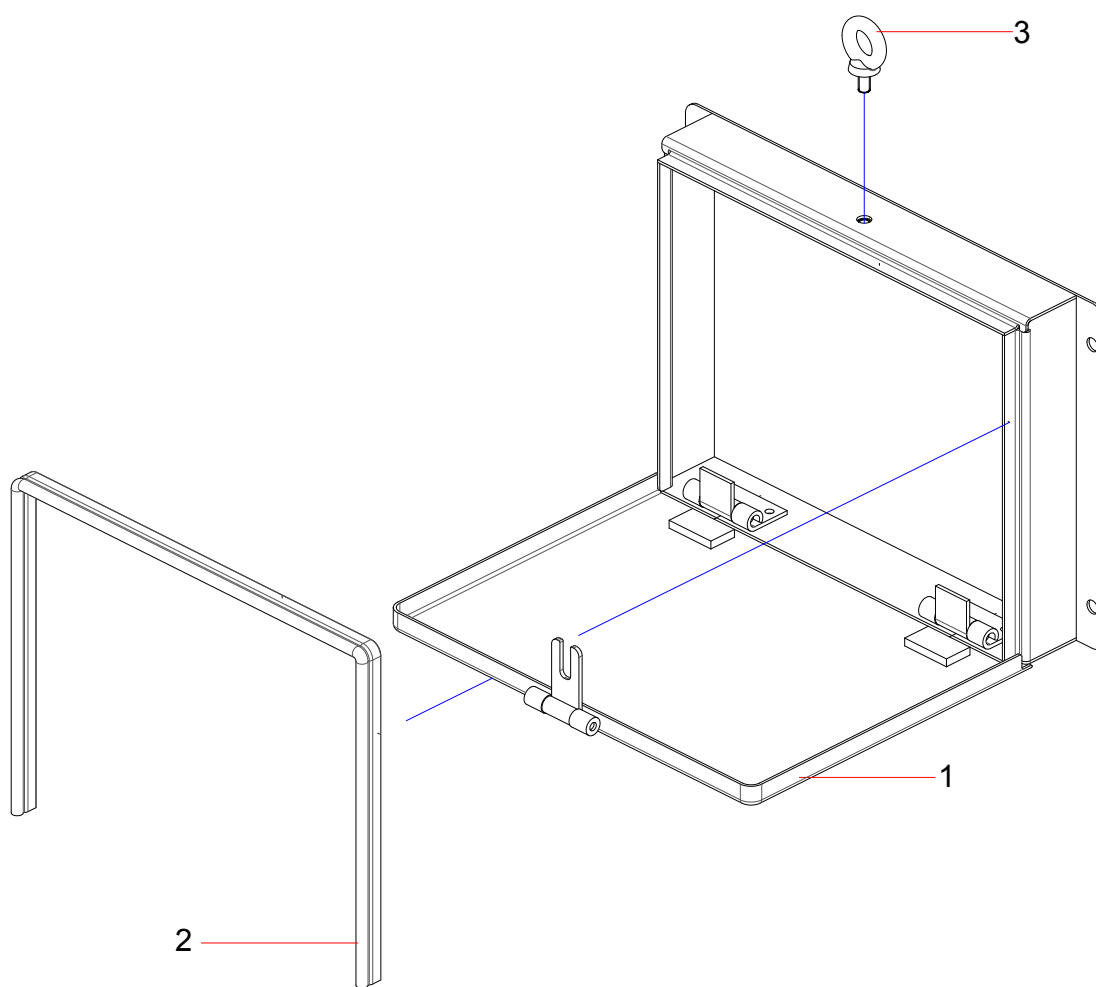


No.	Part No.	Description	Qty	Page number
1	13004786	rear hood component	1	
2	60225215	Bonnet Lock	1	
3	13106122	wind hook sliding chute	1	
5	A210405000007	Washer	4	
6	A210111000089	Bolt	2	
7	A210111000088	Bolt	2	
8	A210405000006	Washer	2	
9	A210111000079	Bolt	2	
10	13328071	lock sleeve	1	

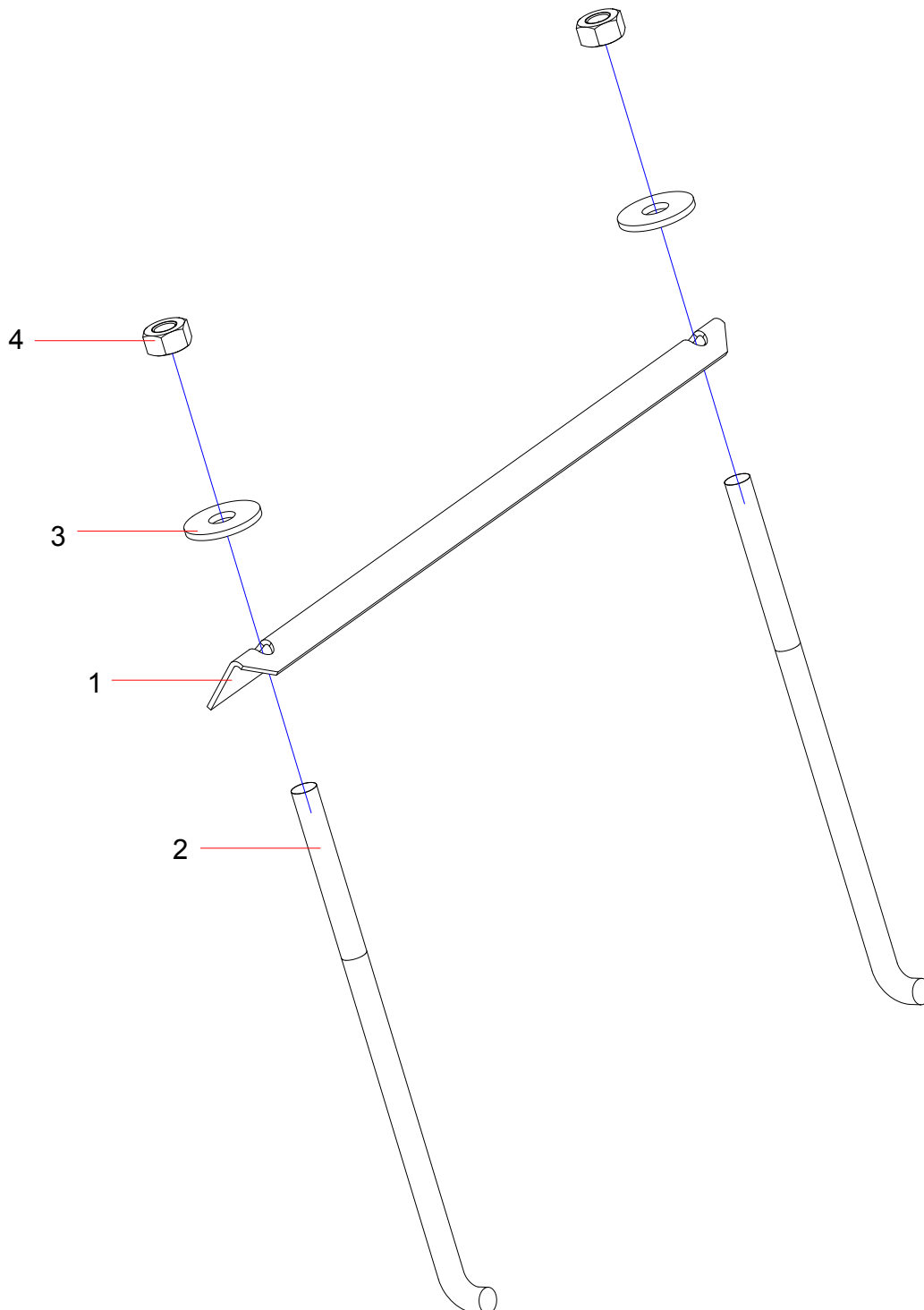




No.	Part No.	Description	Qty	Page number
1	13004376	hinge fixed end	1	
2	13004382	hinge revolving end	1	
3	13004386	hinge axle	1	
4	24000639	Washer	1	
5	A210491000007	Pin	1	



No.	Part No.	Description	Qty	Page number
1	13400544	file case main body	1	
2	13400542	file case sealant strip	1	
3	A210214000003	Screw	1	

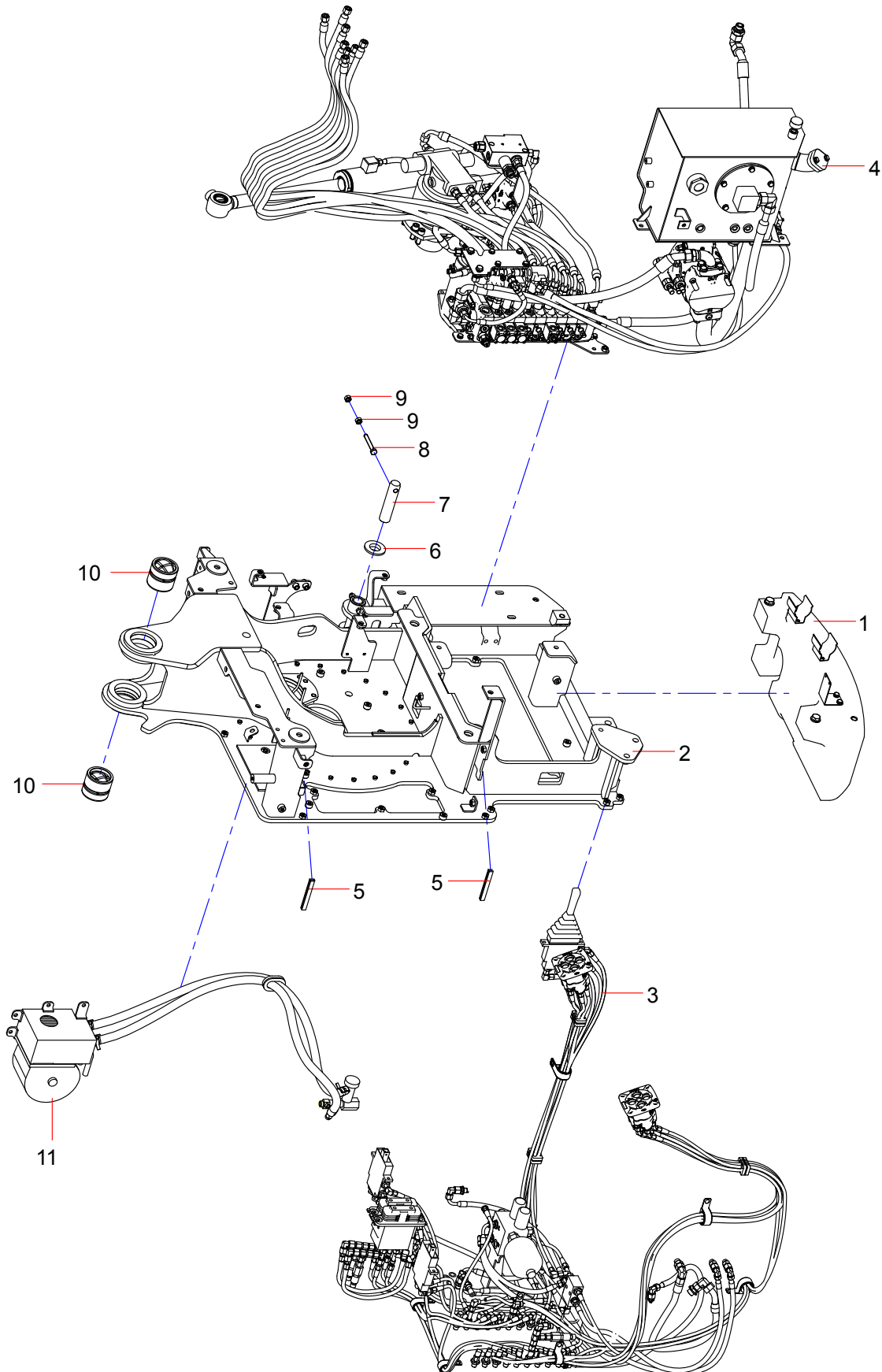


No.	Part No.	Description	Qty	Page number
1	12995053	battery fixed plate	1	
2	12995054	guide screw	2	
3	A210404000003	Washer	2	
4	A210307000017	Nut	2	

BLANK PAGE

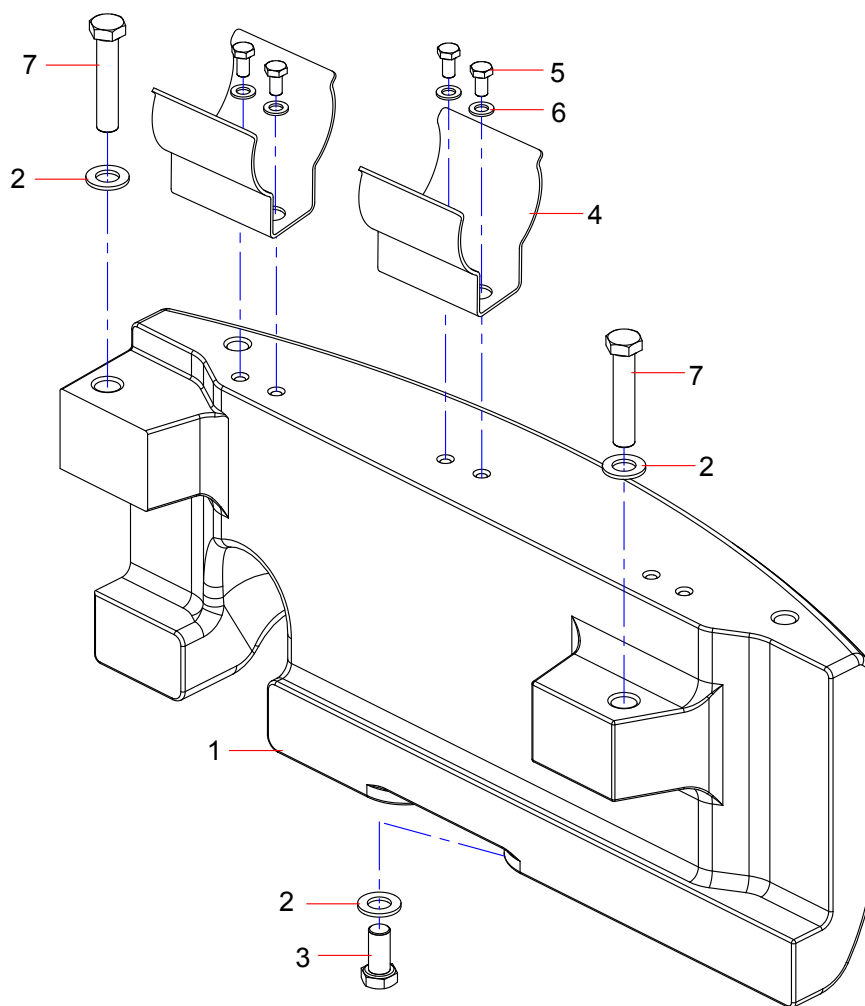
## **Group 6**

# **Upper structure assembly (EU cab)**

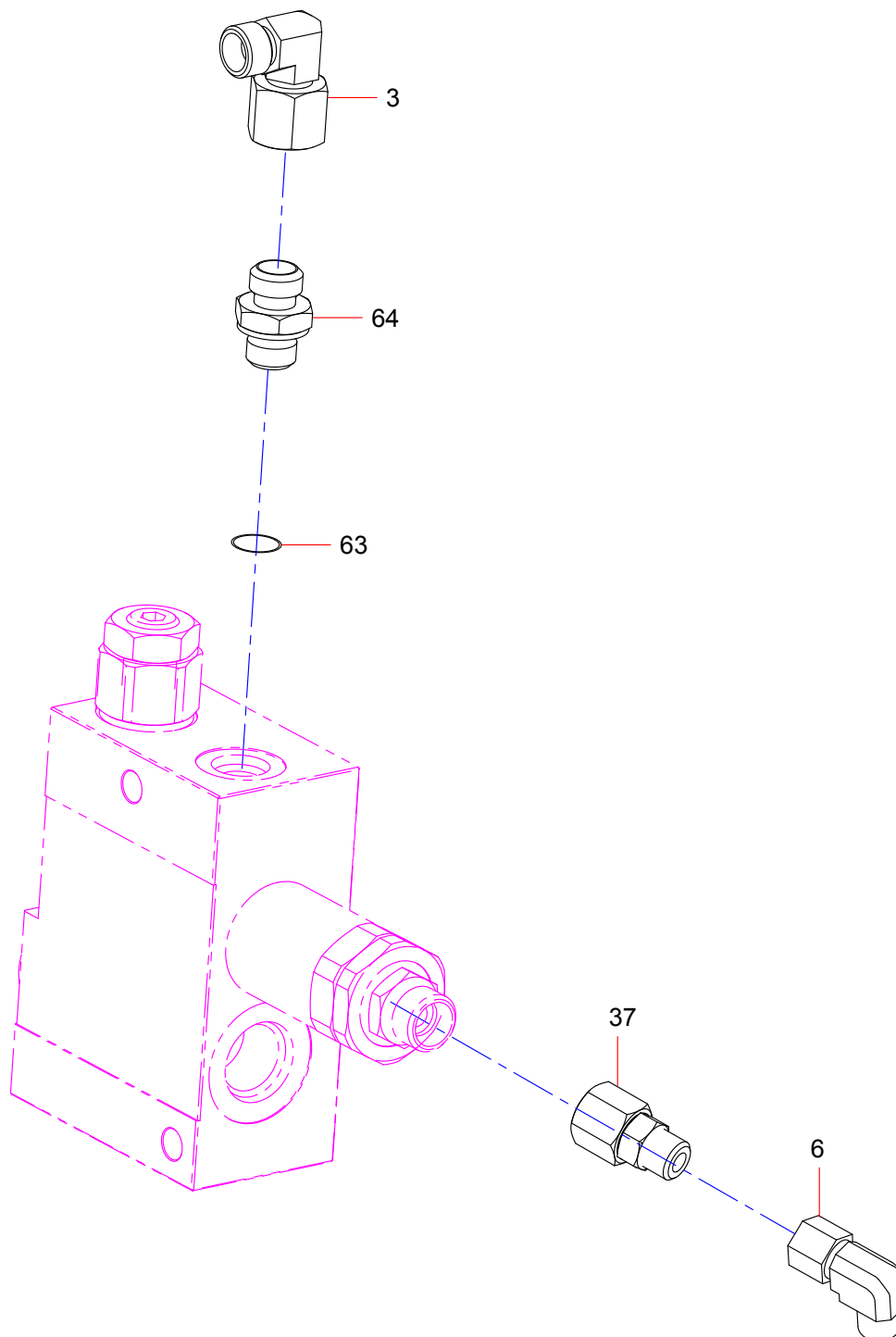




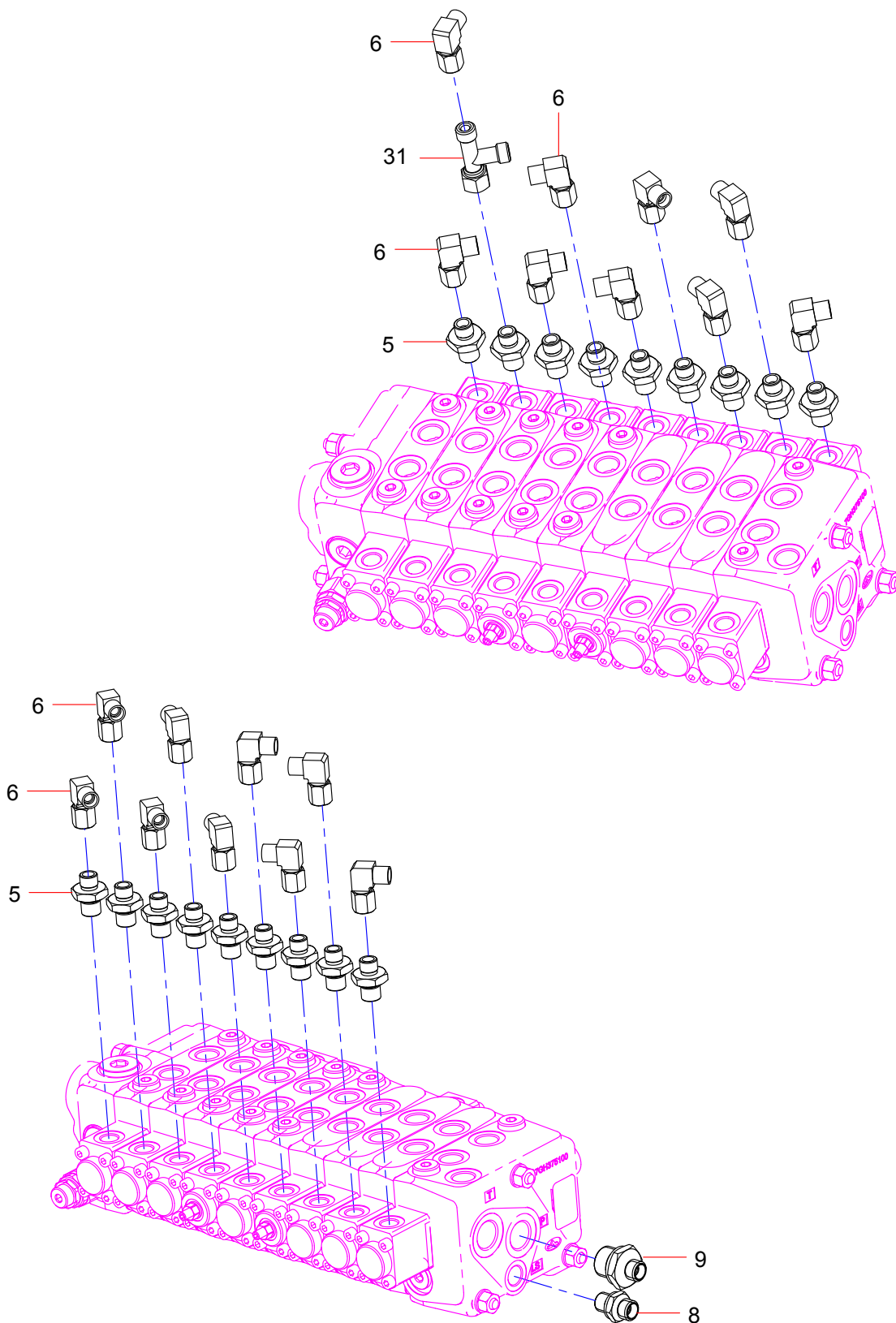
No.	Part No.	Description	Qty	Page number
1	13009761	counter weight	1	6-4
2	14299489	revolving frame	1	
3	13691602	pilot pipeline	1	6-6
4	14502781	Main pipeline	1	6-74
5	11863921	Protective sleeve	2	
6	13000200	Spacer	16	
7	12980345	shaft	1	
8	A210111000032	Bolt	1	
9	A210307000017	Nut	2	
10	13849868	Shaft Sleeve	2	
11	13878626	warm air system	1	6-122



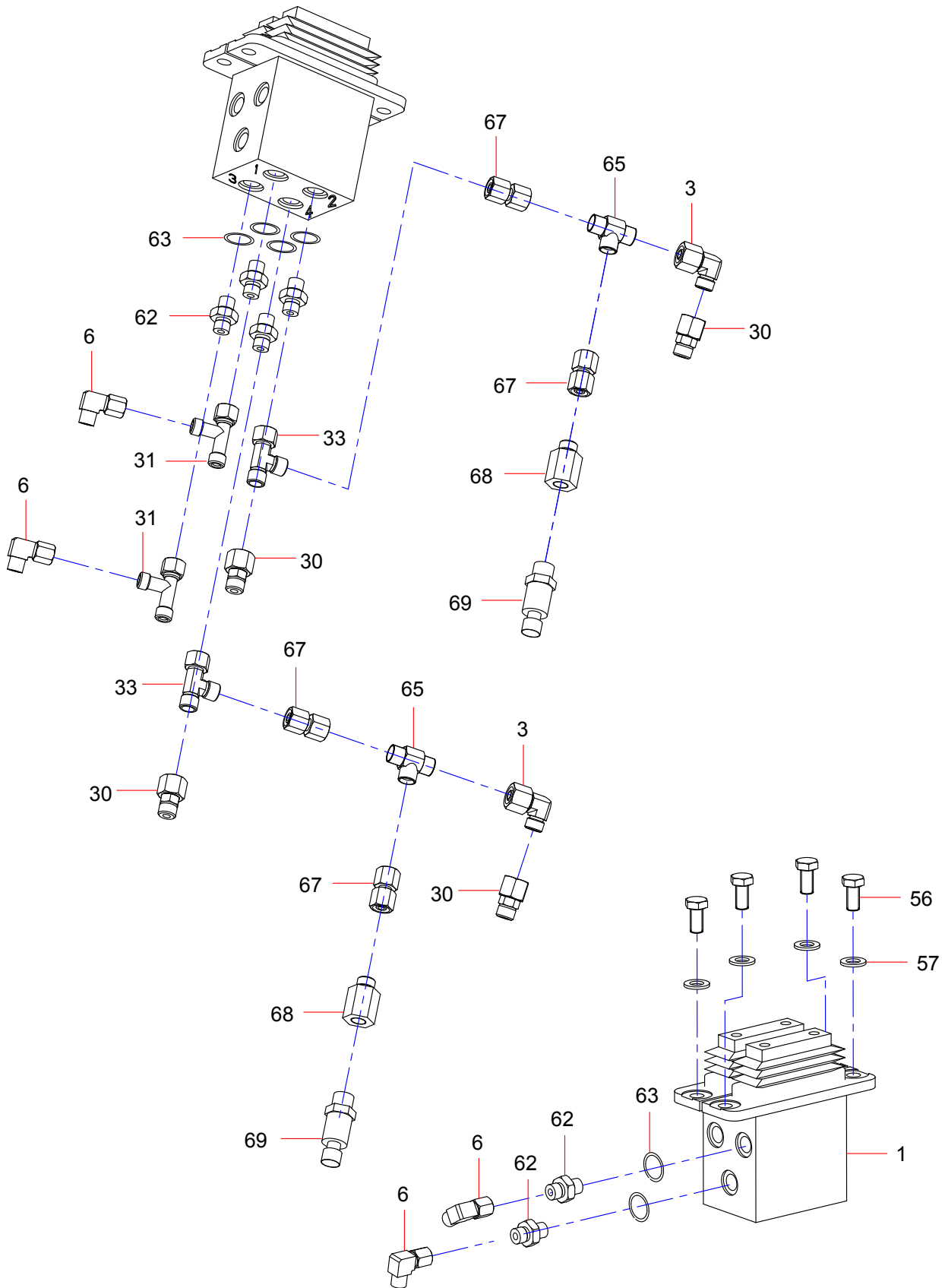
No.	Part No.	Description	Qty	Page number
1	12964396	counterweight	1	
2	60238781	Washer	3	
3	A210111000205	Bolt	1	
4	13034624	clip	2	
5	A210111000342	Bolt	4	
6	24000633	Washer	4	
7	A210111000052	Bolt M14×90GB5783 Grade 10.9	2	



No.	Part No.	Description	Qty	Page number
3	B210780000418	Fitting, Elbow	7	
6	23904681	Pipe connector	36	
37	B210780001391	Swivel Reducing Straight Adapter	1	
63	B230101000047	O-ring	9	
64	21002815	Fitting	3	

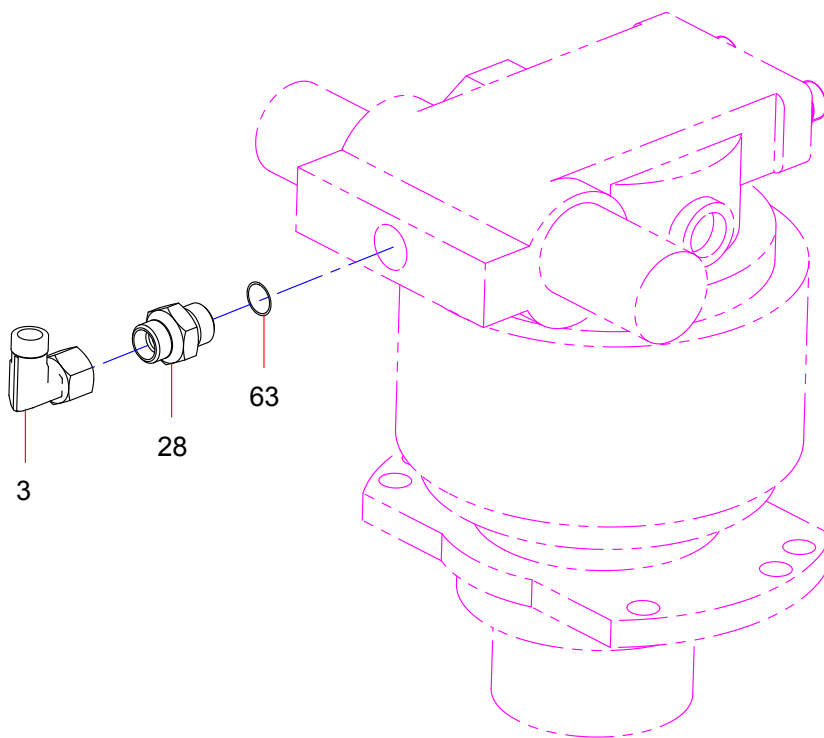


No.	Part No.	Description	Qty	Page number
5	B210780000823	Stud Straight Connector	33	
6	23904681	Pipe connector	36	
8	B210780000176	Fitting, Adapter	7	
9	B210780000175	Stud Straight Connector	1	
31	B210780000014	Pipe connector	10	

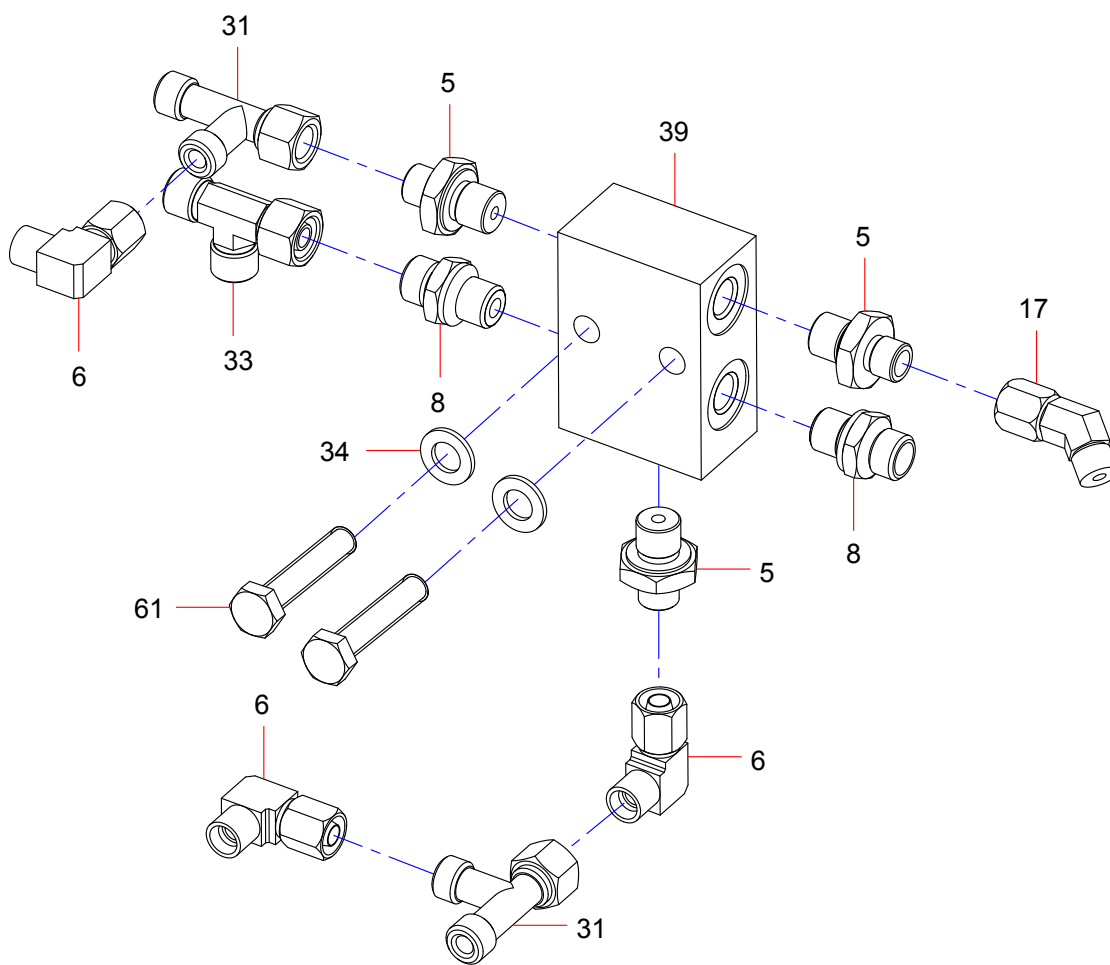




No.	Part No.	Description	Qty	Page number
1	60129665	Pilot-control Valve	1	6-58
3	B210780000418	Fitting, Elbow	7	
6	23904681	Pipe connector	36	
30	60136966	Pipe connector	5	
31	B210780000014	Pipe connector	10	
33	B210780000170	Fitting, Tee, L-shape	4	
56	A210111000012	Bolt	4	
57	24000637	Washer	4	
62	21011540	Pipe connector	6	
63	B230101000047	O-ring	9	
65	B220400000169	Valve, shuttle, tee	2	
67	B210780001045	Fitting	4	
68	A820205000944	Adapter, relay	2	
69	A240700000548	Pressure Relay	2	

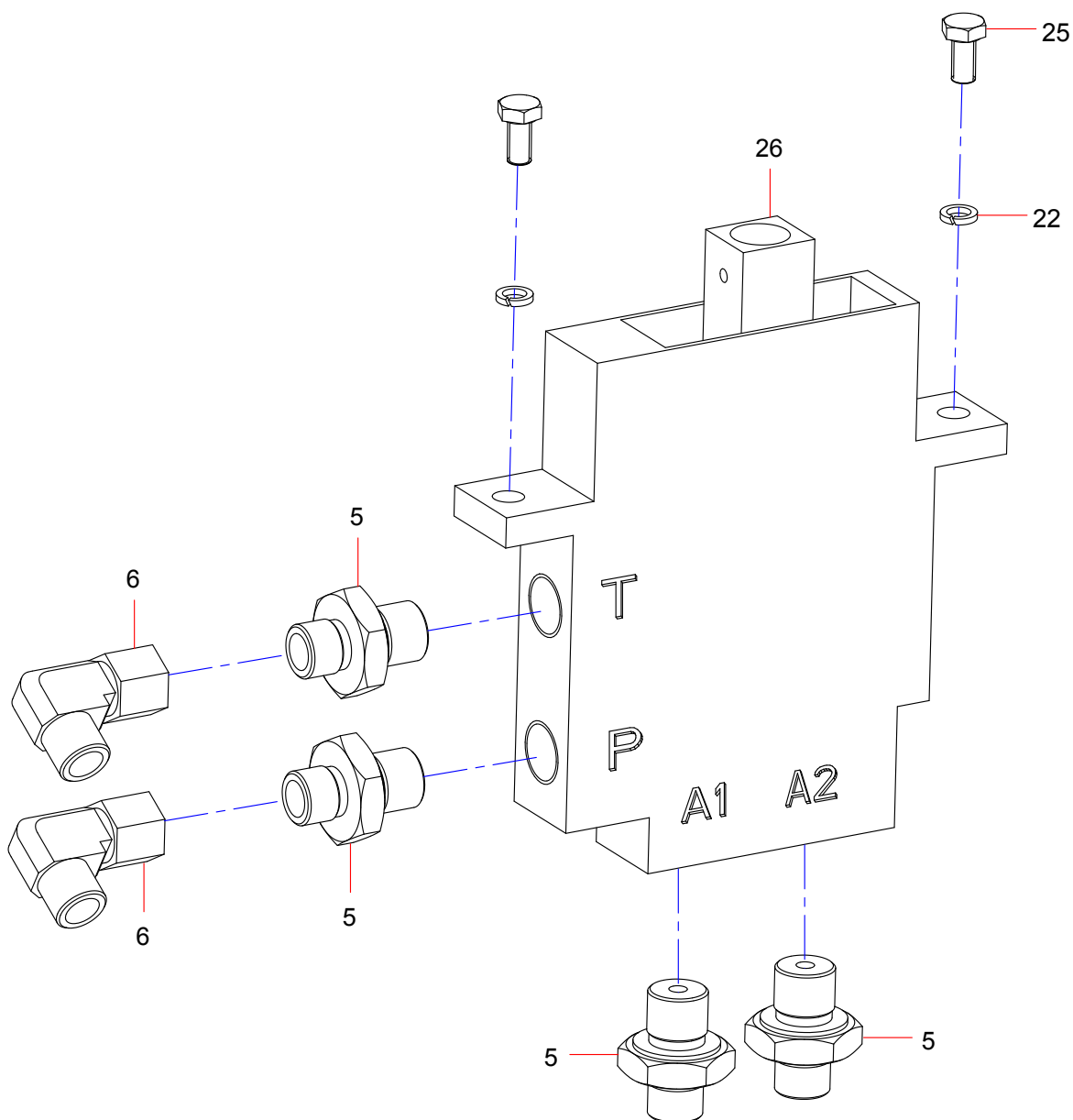


No.	Part No.	Description	Qty	Page number
3	B210780000418	Fitting, Elbow	7	
28	21002816	Pipe connector	1	
63	B230101000047	O-ring	9	

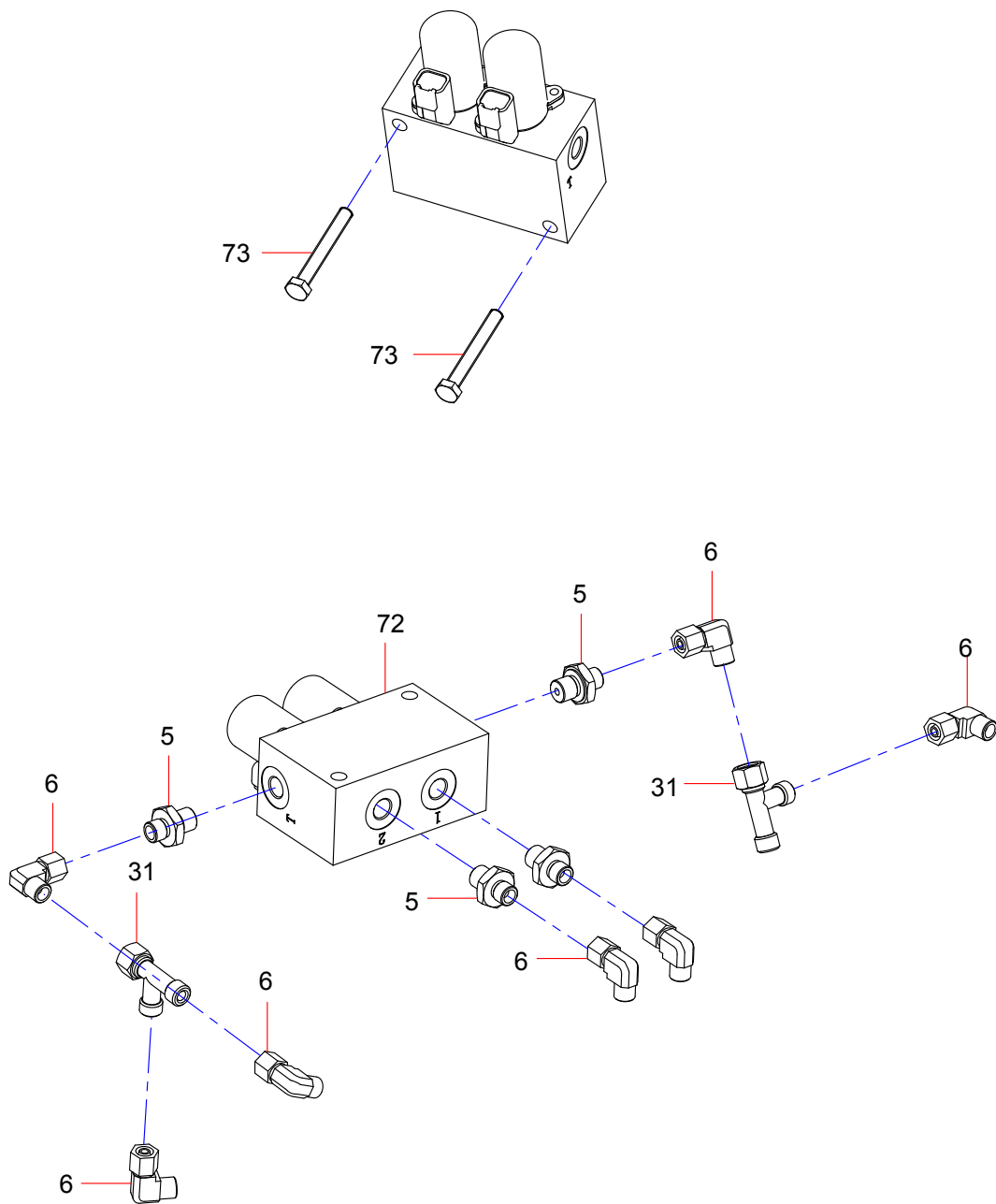


No.	Part No.	Description	Qty	Page number
5	B210780000823	Stud Straight Connector	33	
6	23904681	Pipe connector	36	
8	B210780000176	Fitting, Adapter	7	
17	60175301	Pipe connector	9	
31	B210780000014	Pipe connector	10	
33	B210780000170	Fitting, Tee, L-shape	4	
34	24000633	Washer	6	
39	13096364	oil collection	1	
61	A210111000093	Bolt	2	

( )  
Pilot-control Valve(Boom Swing)

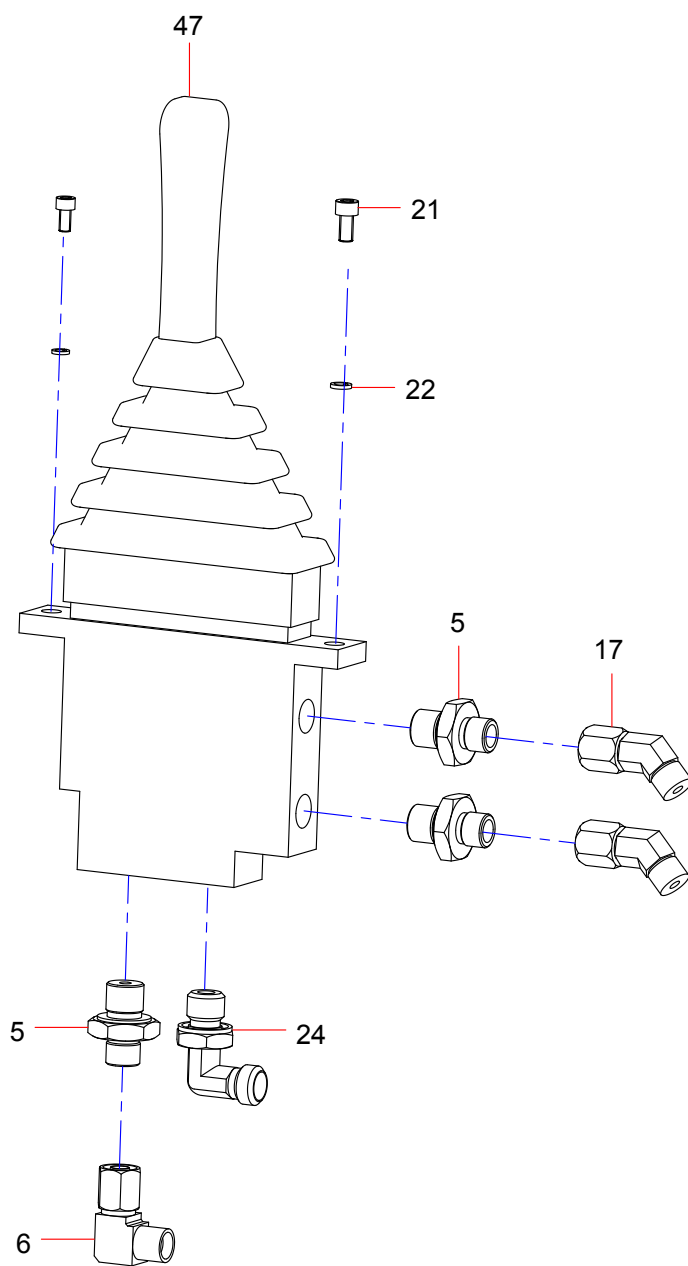


No.	Part No.	Description	Qty	Page number
5	B210780000823	Stud Straight Connector	33	
6	23904681	Pipe connector	36	
22	60060564	Washer	12	
25	A210111000078	Bolt	2	
26	60281974	Pilot-control Valve	1	6-62

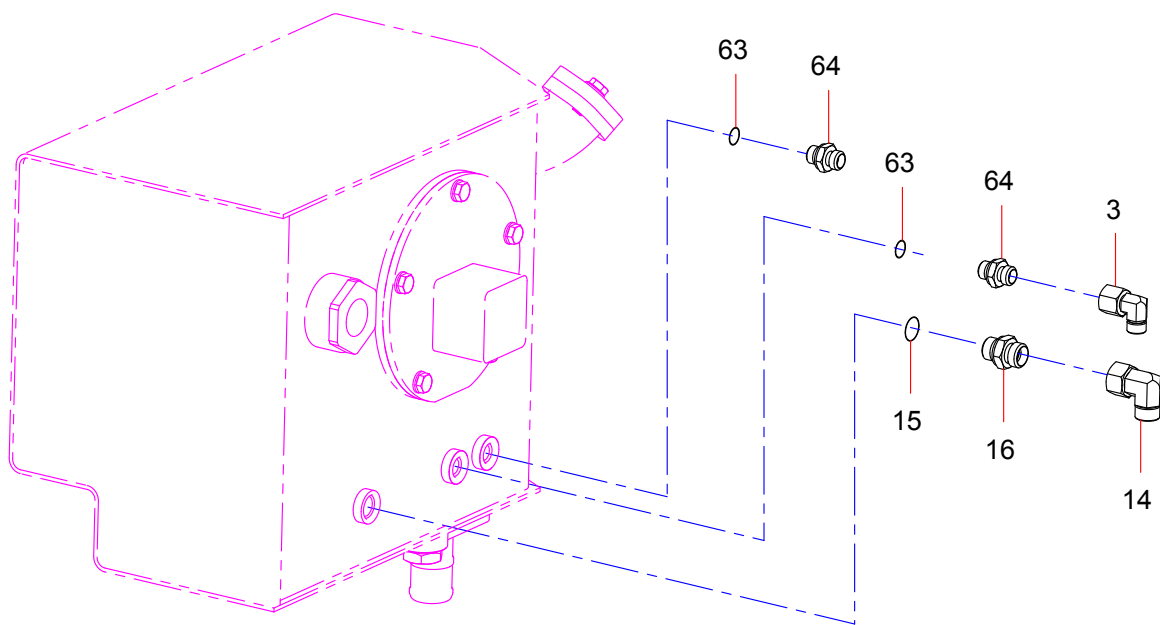




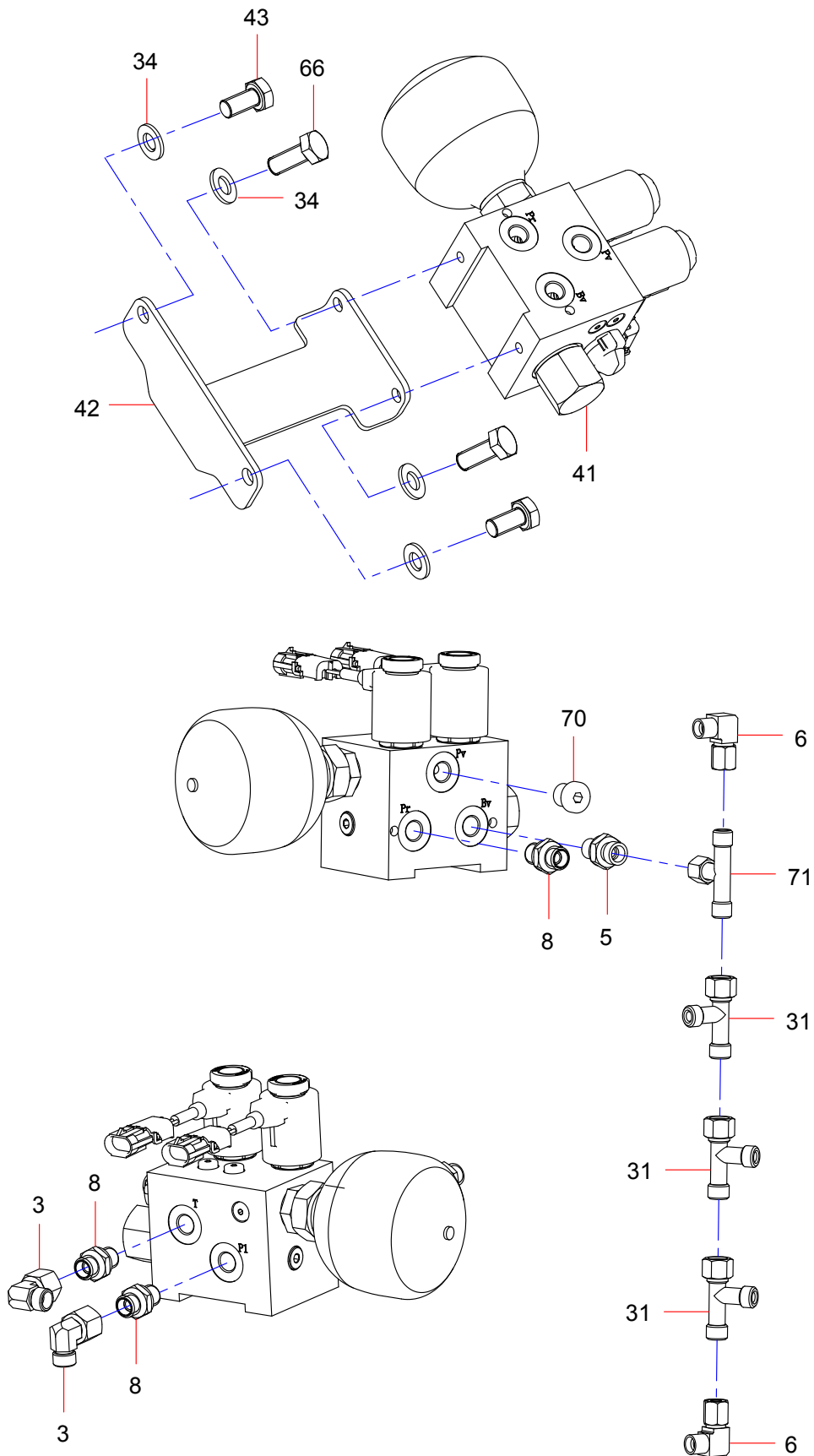
No.	Part No.	Description	Qty	Page number
5	B210780000823	Stud Straight Connector	33	
6	23904681	Pipe connector	36	
31	B210780000014	Pipe connector	10	
72	60281431	Proportional Electromagnetic Valve	1	6-72
73	A210111000095	Bolt	2	



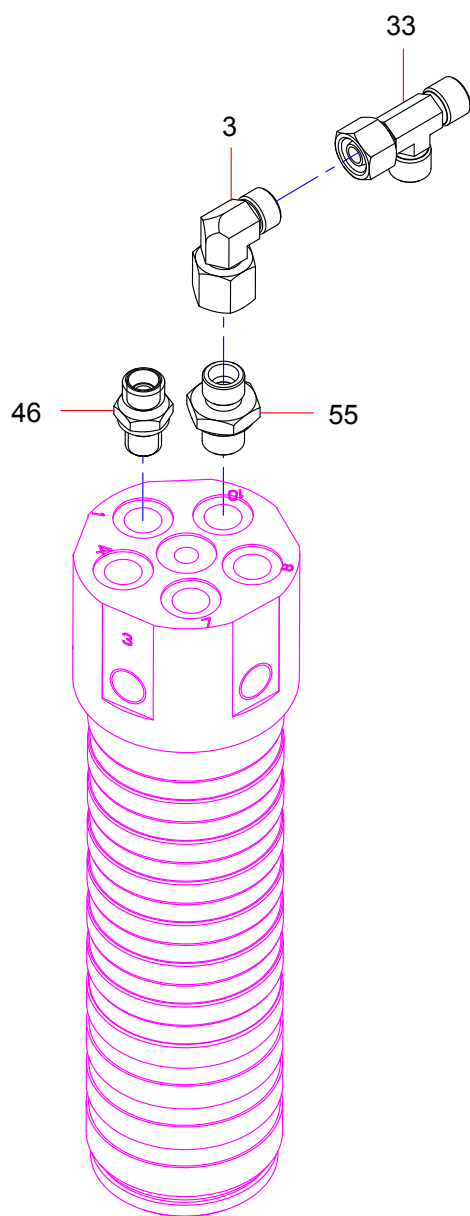
No.	Part No.	Description	Qty	Page number
5	B210780000823	Stud Straight Connector	33	
6	23904681	Pipe connector	36	
17	60175301	Pipe connector	9	
21	A210204000129	Screw	2	
22	60060564	Washer	12	
24	B210780001444	Fitting	1	
47	60247936	Pilot valve	1	6-70



No.	Part No.	Description	Qty	Page number
3	B210780000418	Fitting, Elbow	7	
14	B210780000024	Fitting, Elbow	2	
15	B230101000049	O-ring	1	
16	21002820	Pipe connector	1	
63	B230101000047	O-ring	9	
64	21002815	Fitting	3	

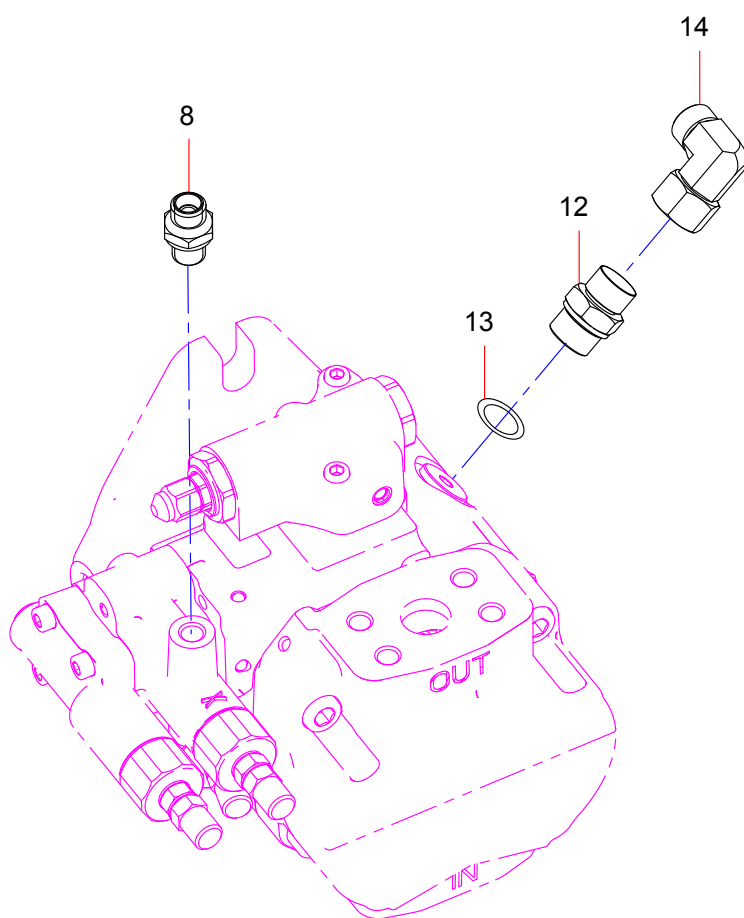


No.	Part No.	Description	Qty	Page number
3	B210780000418	Fitting, Elbow	7	
5	B210780000823	Stud Straight Connector	33	
6	23904681	Pipe connector	36	
8	B210780000176	Fitting, Adapter	7	
31	B210780000014	Pipe connector	10	
34	24000633	Washer	6	
41	60342181	Electromagnetic reversal valve	1	6-66
42	12979004	Frame	1	
43	A210111000342	Bolt	2	
66	A210111000343	Bolt	2	
70	B210780000164	Screw Plug	3	
71	60140964	Pipe connector	1	



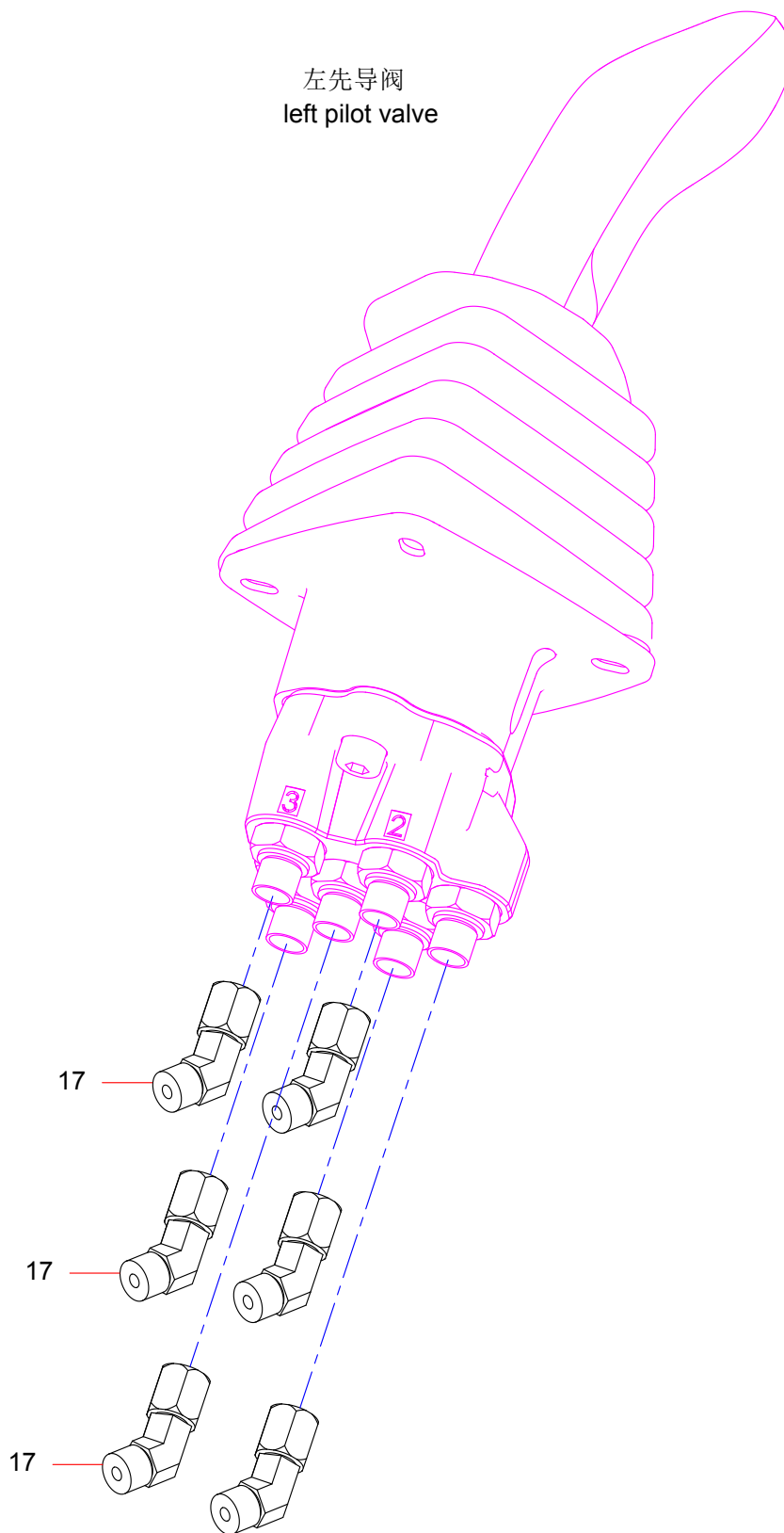


No.	Part No.	Description	Qty	Page number
3	B210780000418	Fitting, Elbow	7	
33	B210780000170	Fitting, Tee, L-shape	4	
46	B210780000174	Connector, pipe	1	
55	23000531	Stud Ends	1	

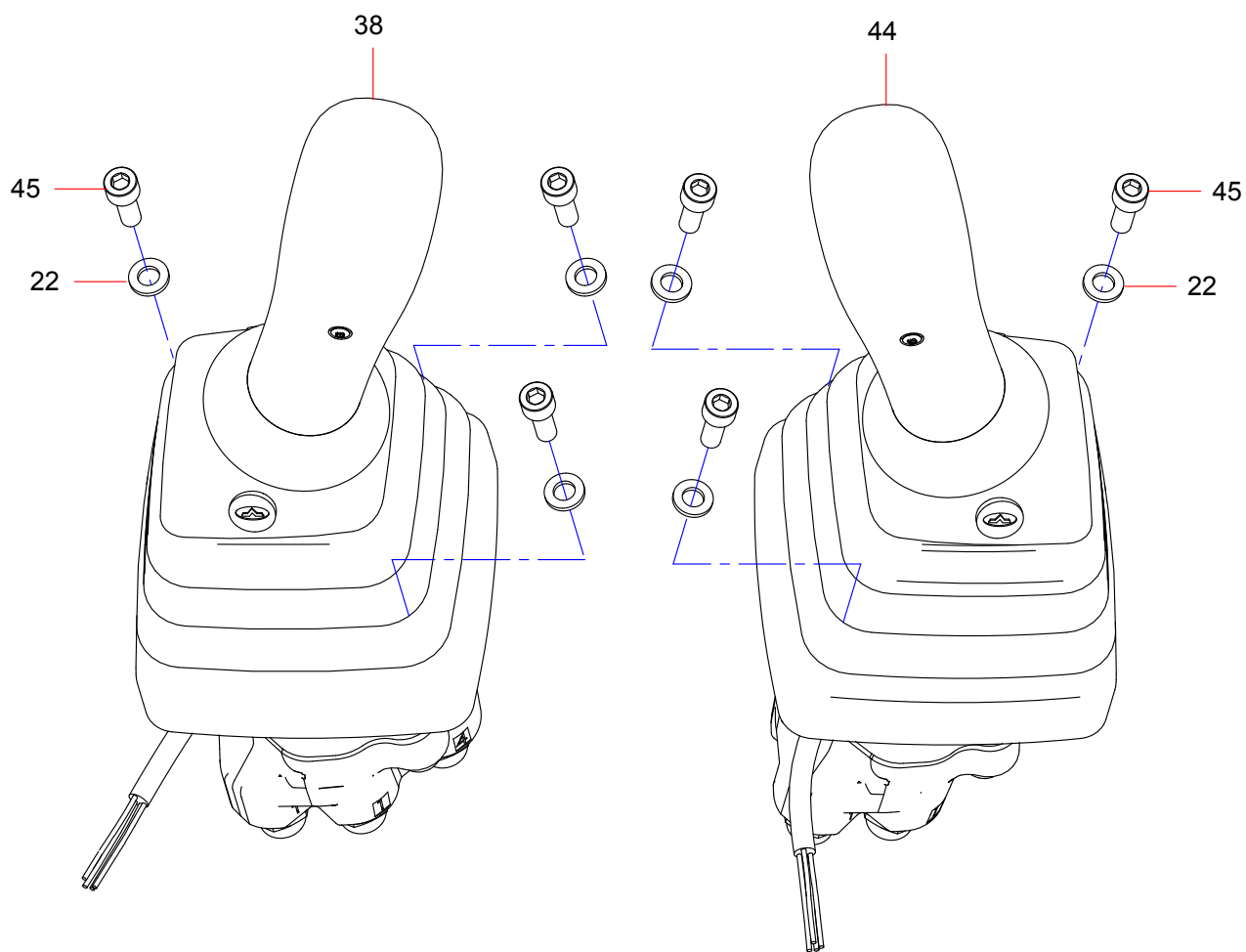


No.	Part No.	Description	Qty	Page number
8	B210780000176	Fitting, Adapter	7	
12	24003609	Fitting, Adapter	1	
13	23002753	O-ring	1	
14	B210780000024	Fitting, Elbow	2	

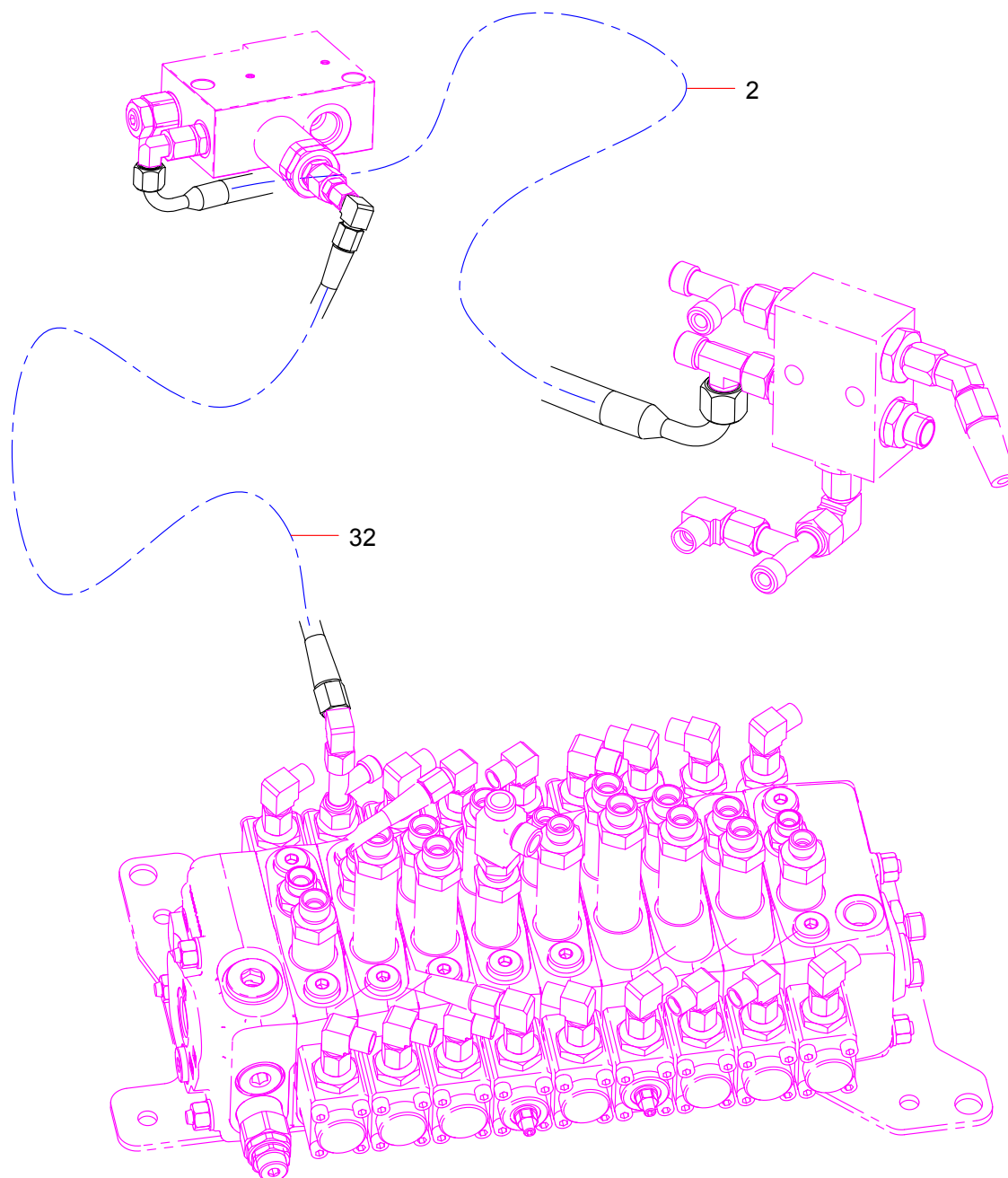
左先导阀  
left pilot valve



No.	Part No.	Description	Qty	Page number
17	60175301	Pipe connector	9	

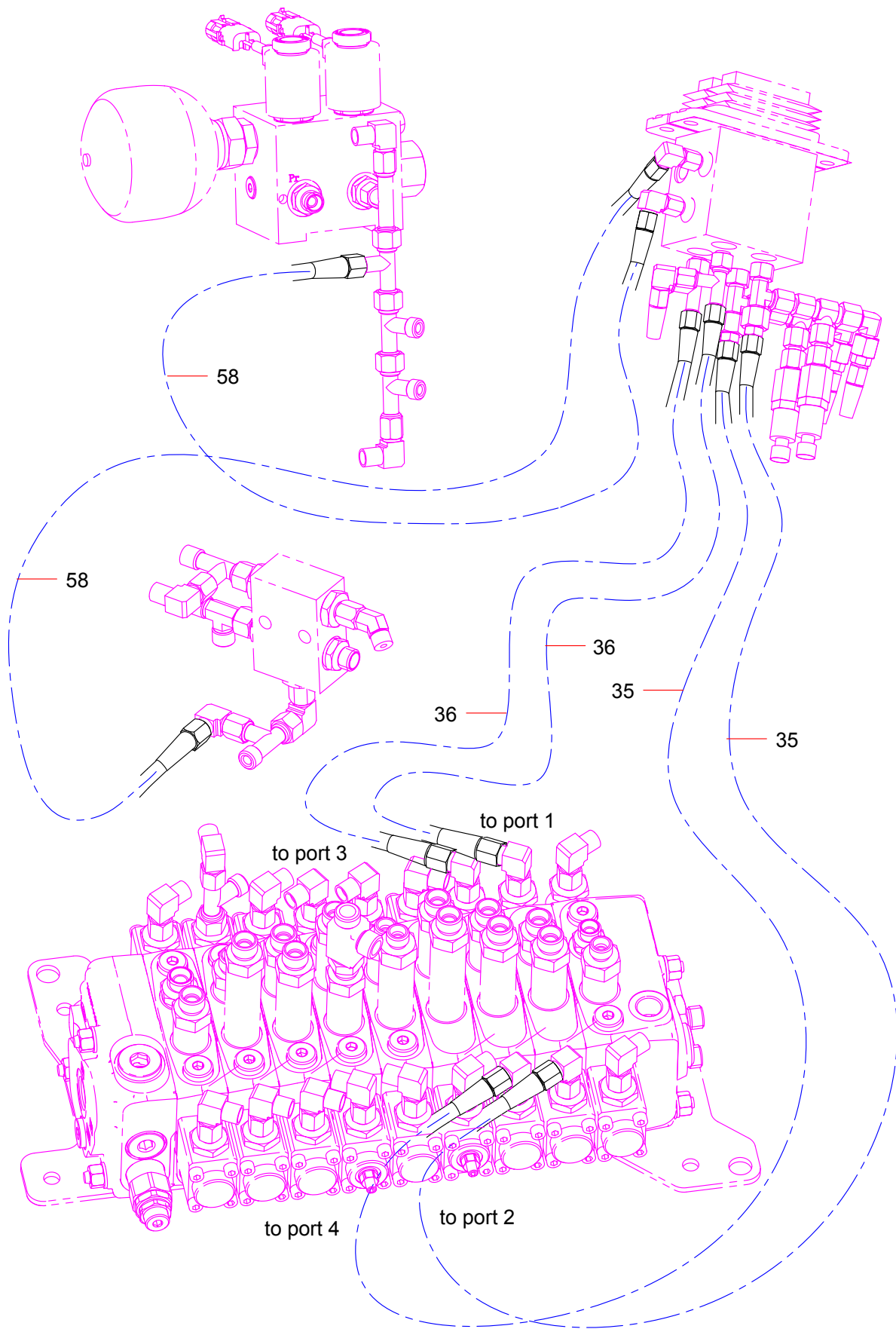


No.	Part No.	Description	Qty	Page number
22	60060564	Washer	12	
38	60242506	Left Pilot Control Valve Assembly	1	6-64
44	60352306	Pilot valve	1	6-68
45	A210204000130	Screw	6	

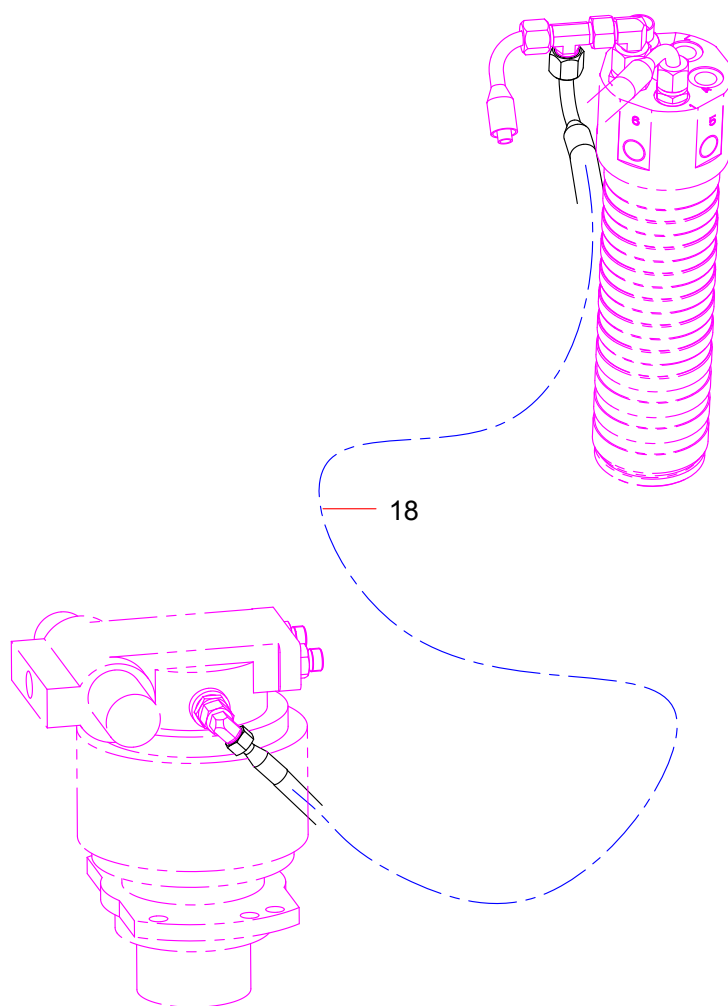




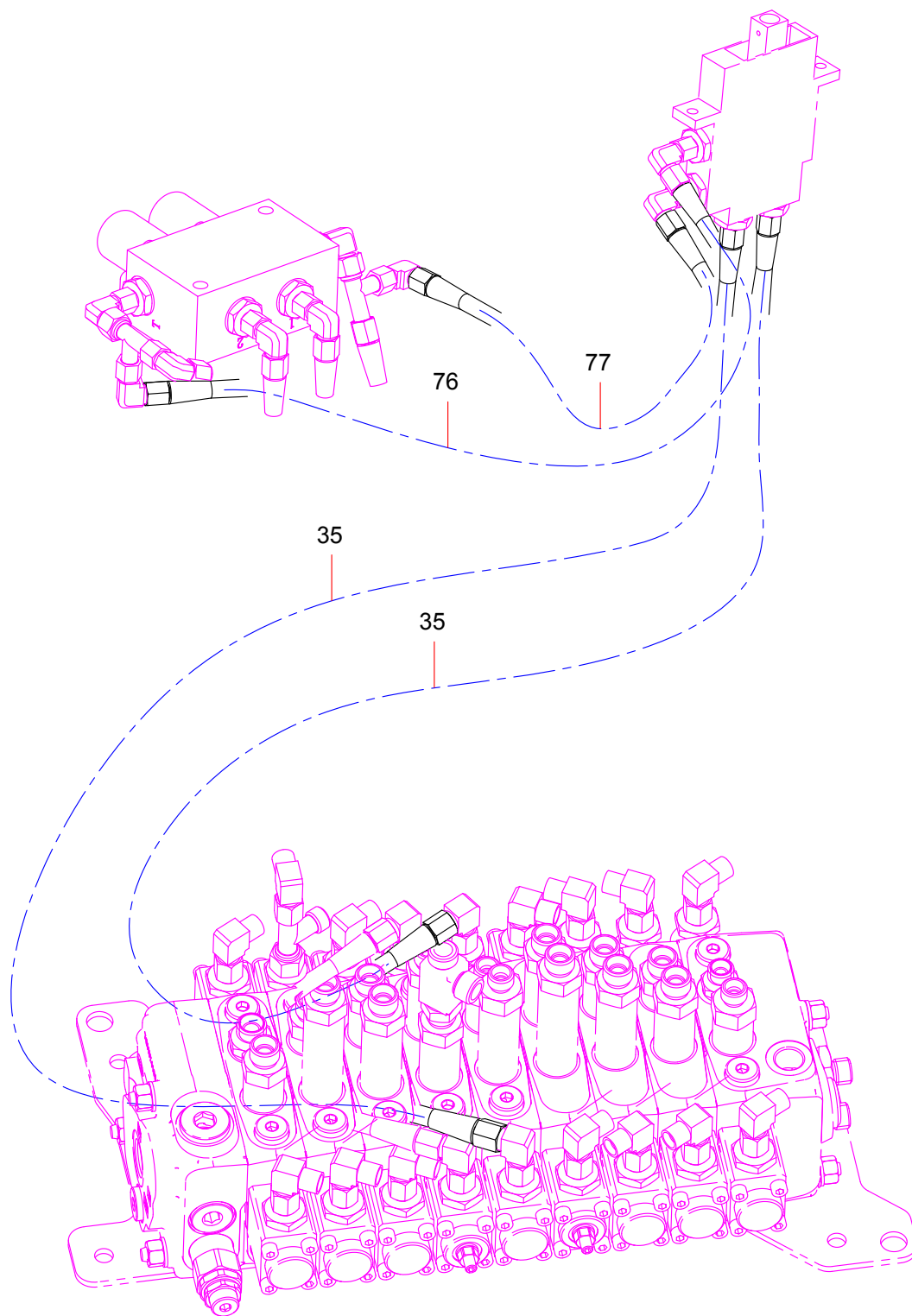
No.	Part No.	Description	Qty	Page number
2	A831233055000	hose	1	
32	60120222	Rubber Hose	1	



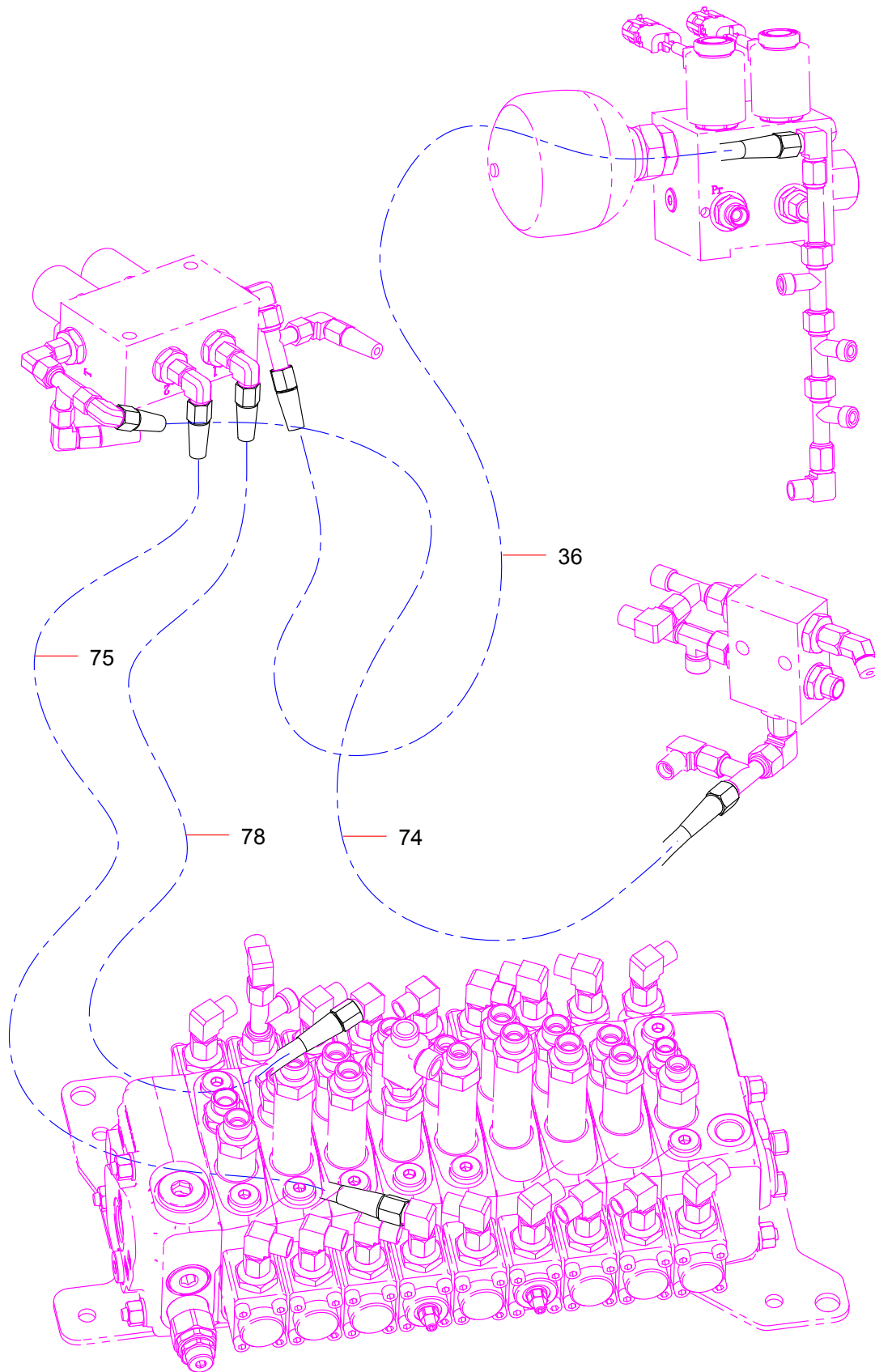
No.	Part No.	Description	Qty	Page number
35	60227817	Rubber Hose	4	
36	60120223	Rubber Hose	3	
58	60120224	Rubber Hose	2	



No.	Part No.	Description	Qty	Page number
18	B230103003046	Rubber Hose	2	

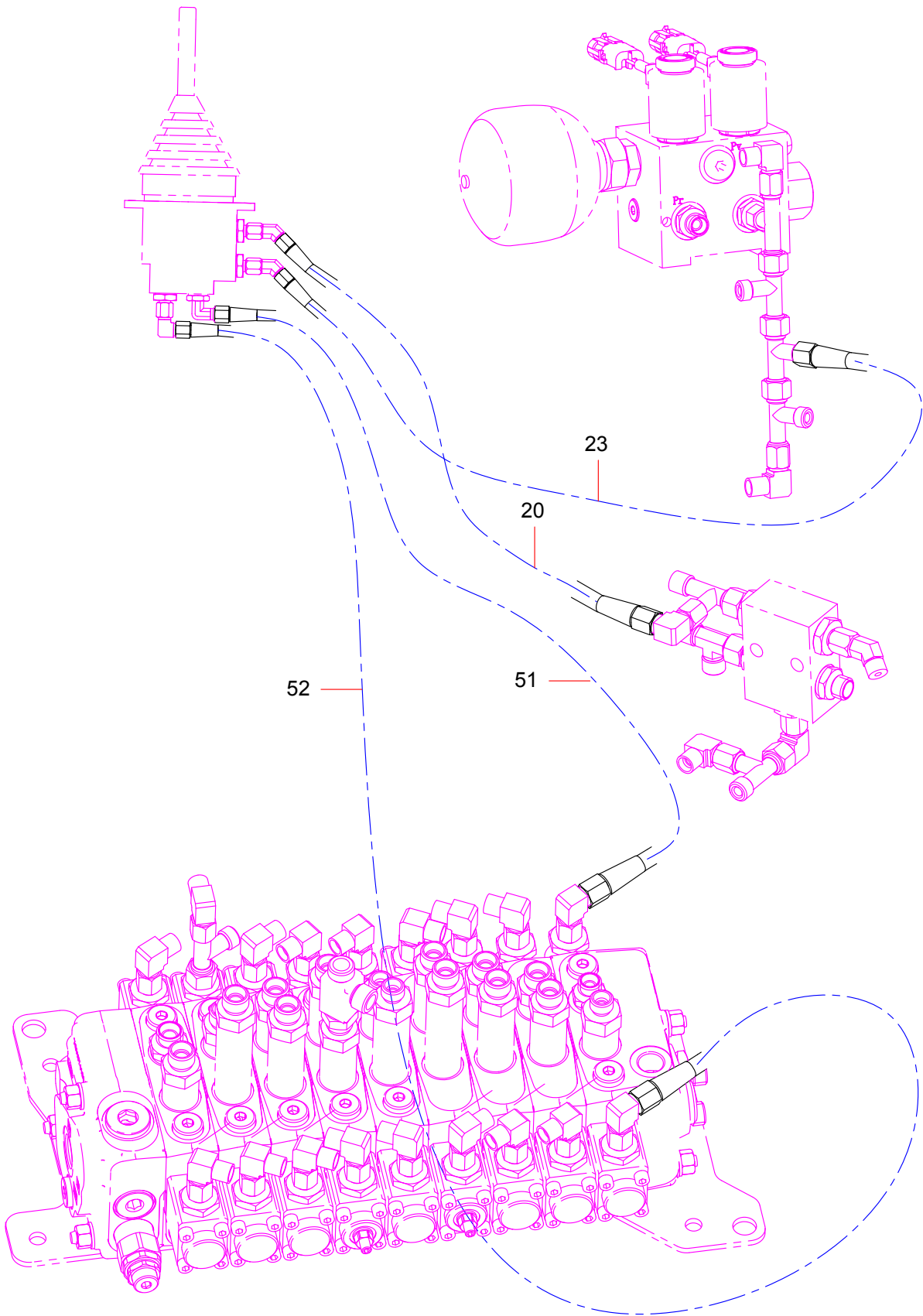


No.	Part No.	Description	Qty	Page number
35	60227817	Rubber Hose	4	
76	60332525	rubber hose	1	
77	60240239	rubber hose	1	

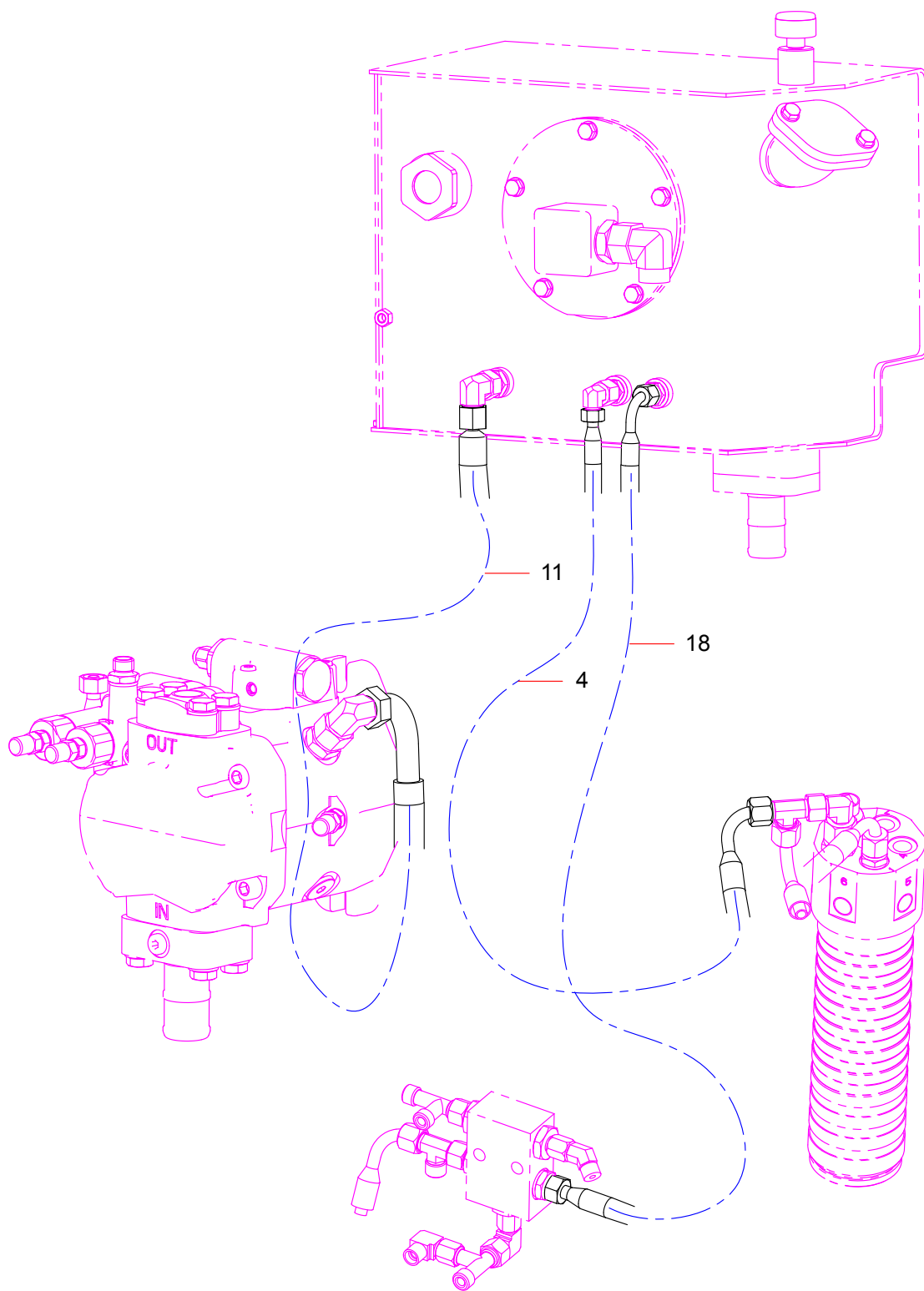




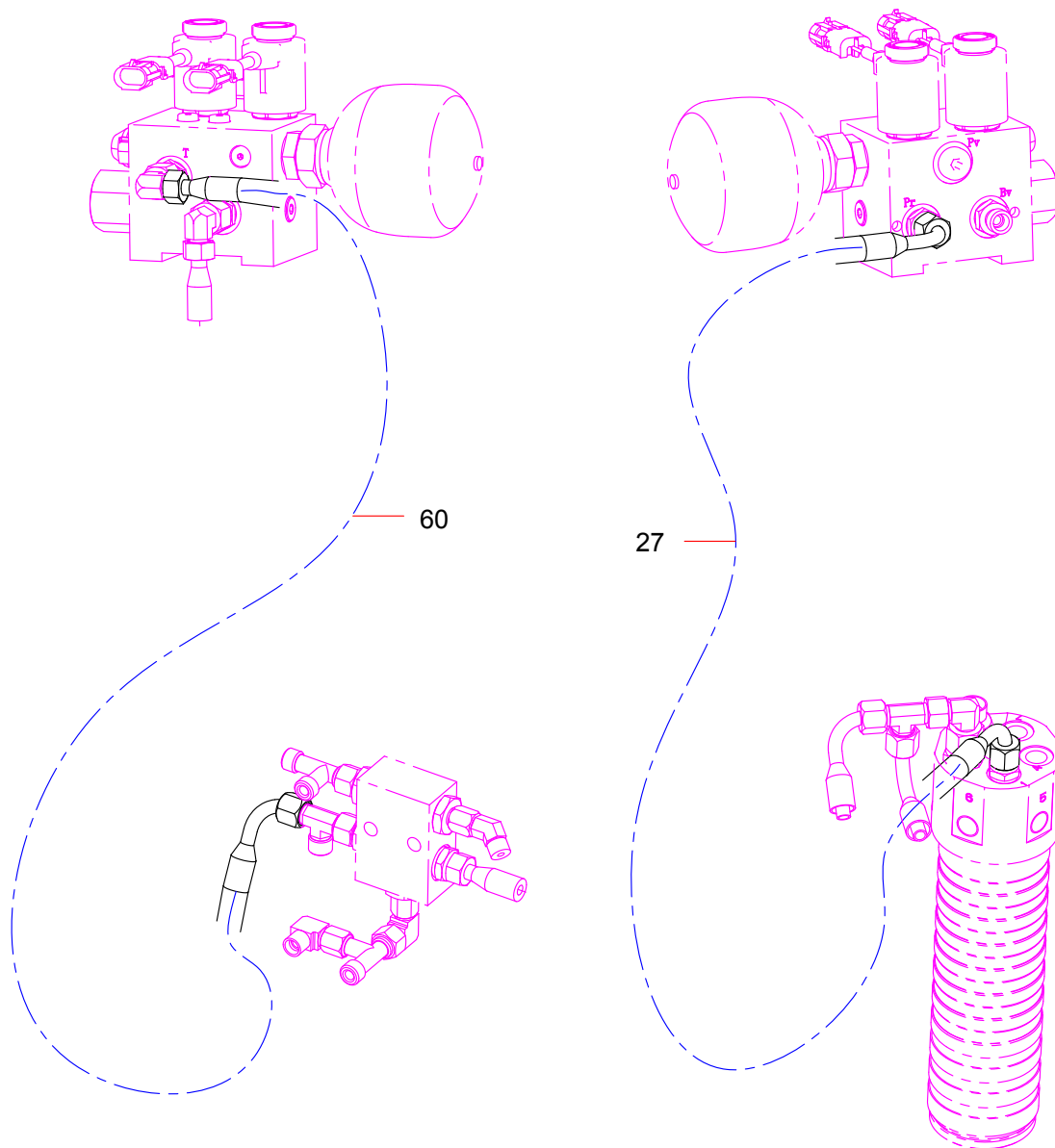
No.	Part No.	Description	Qty	Page number
36	60120223	Rubber Hose	3	
74	60323298	Rubber hose	1	
75	60270117	rubber hose	1	
78	60238497	Rubber Hose	1	



No.	Part No.	Description	Qty	Page number
20	60120209	Rubber Hose	2	
23	60120208	Rubber Hose	2	
51	60120211	Rubber Hose	1	
52	60120213	Rubber Hose	1	

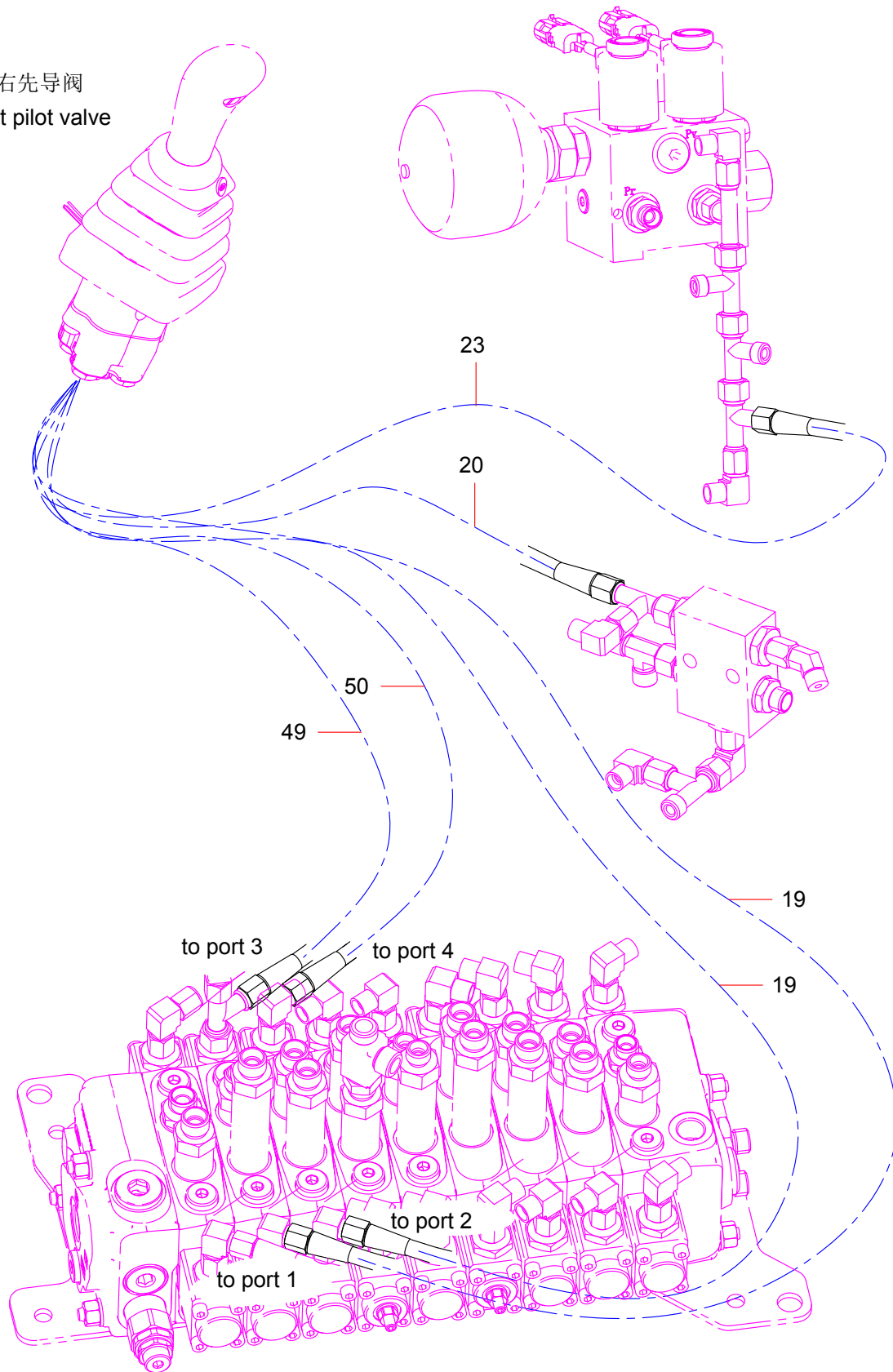


No.	Part No.	Description	Qty	Page number
4	B230103001456	Rubber hose	1	
11	B230103004570	Hose	1	
18	B230103003046	Rubber Hose	2	



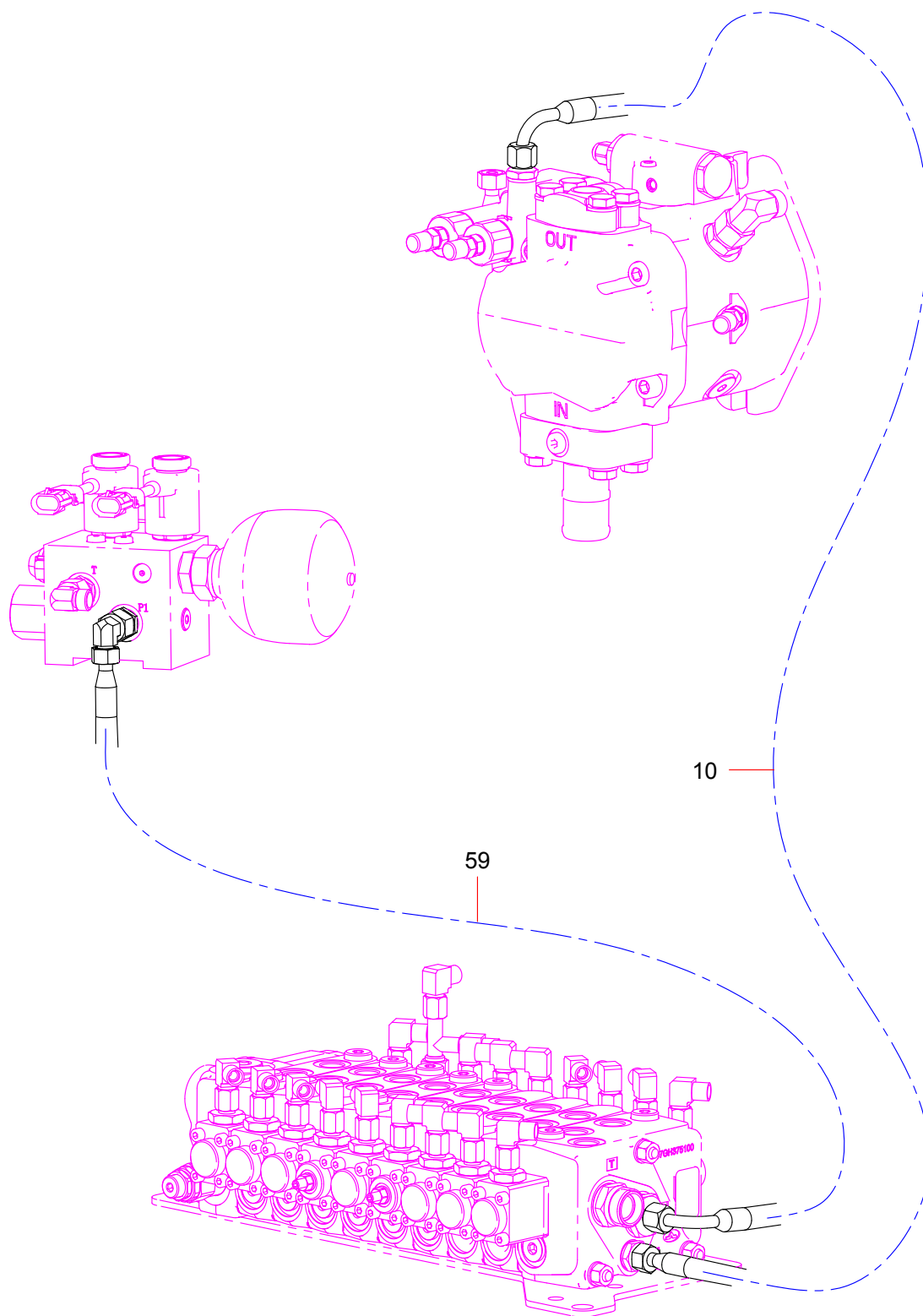
No.	Part No.	Description	Qty	Page number
27	B230103000727	Rubber Hose	1	
60	A831213035000	Rubber hose	1	

右先导阀  
right pilot valve

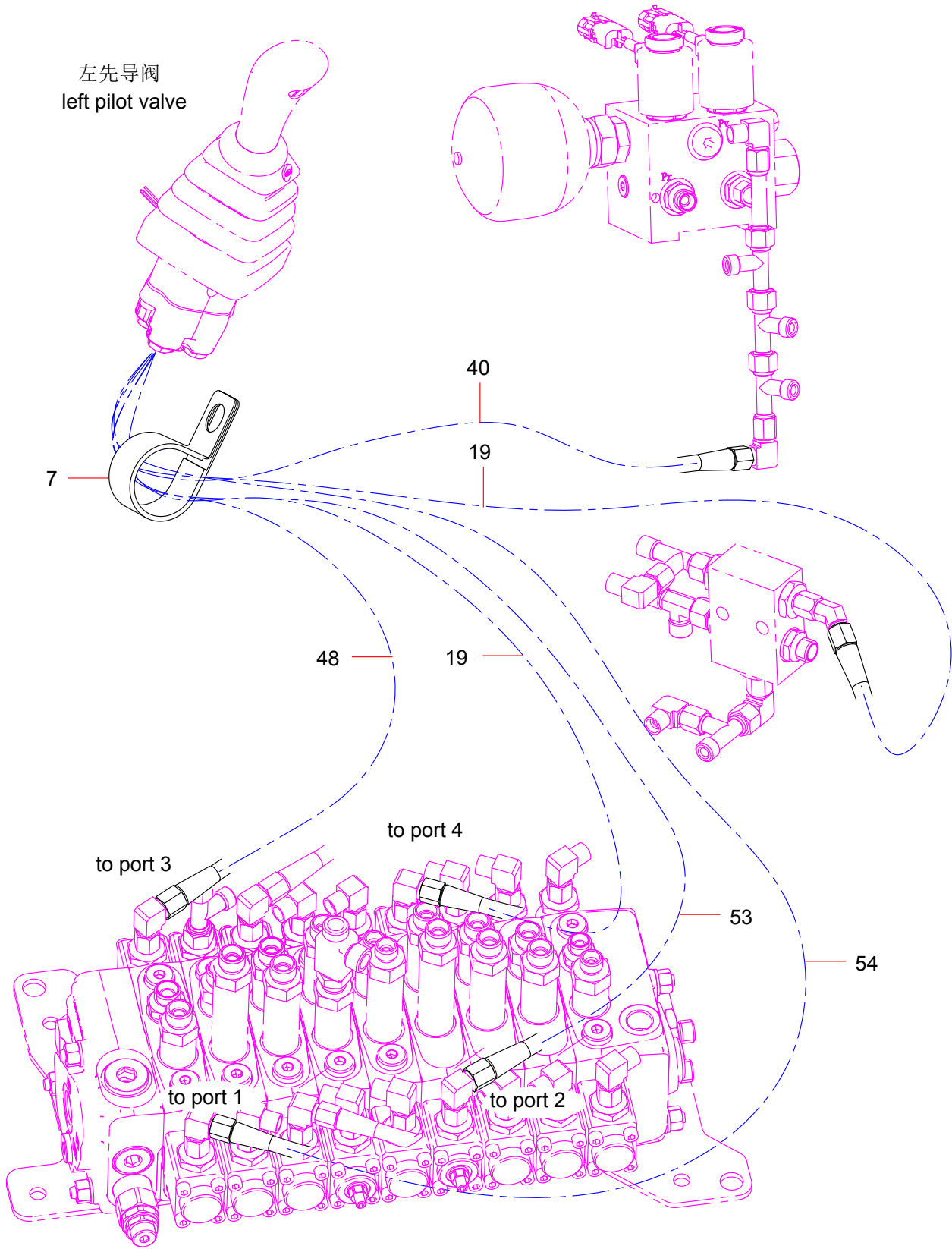




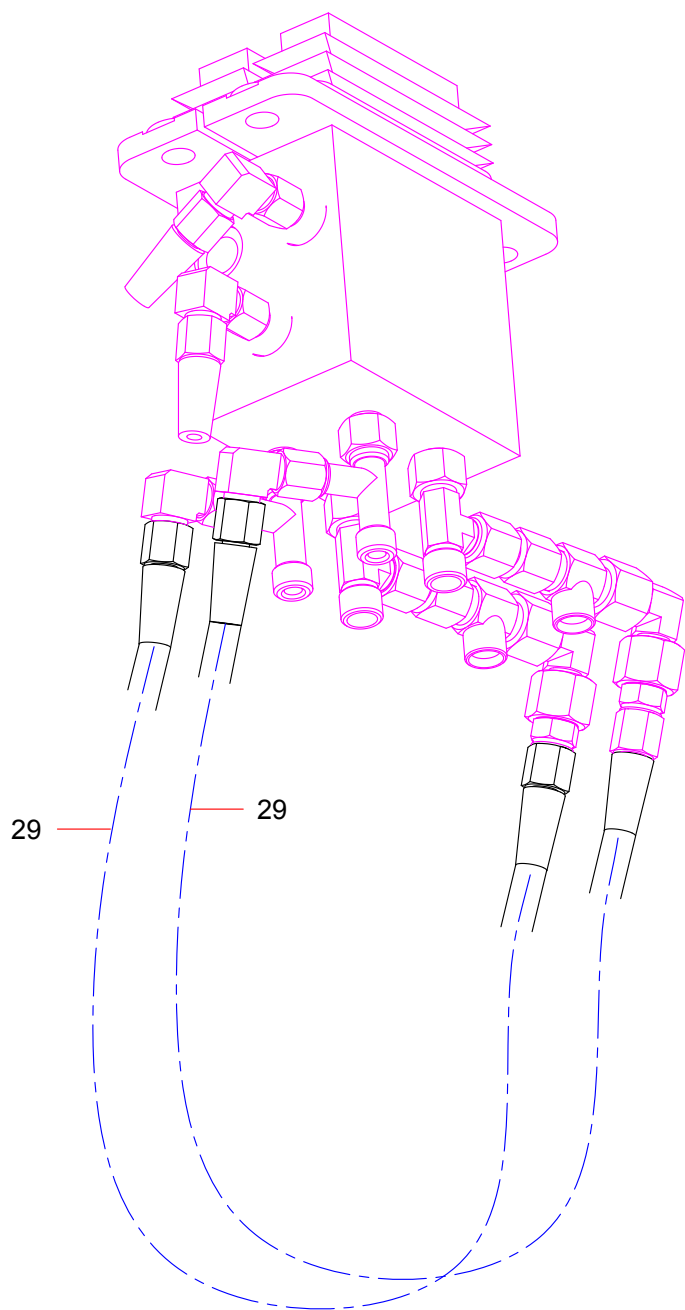
No.	Part No.	Description	Qty	Page number
19	60120221	Rubber Hose	4	
20	60120209	Rubber Hose	2	
23	60120208	Rubber Hose	2	
49	60120214	Rubber Hose	1	
50	60120212	Rubber Hose	1	



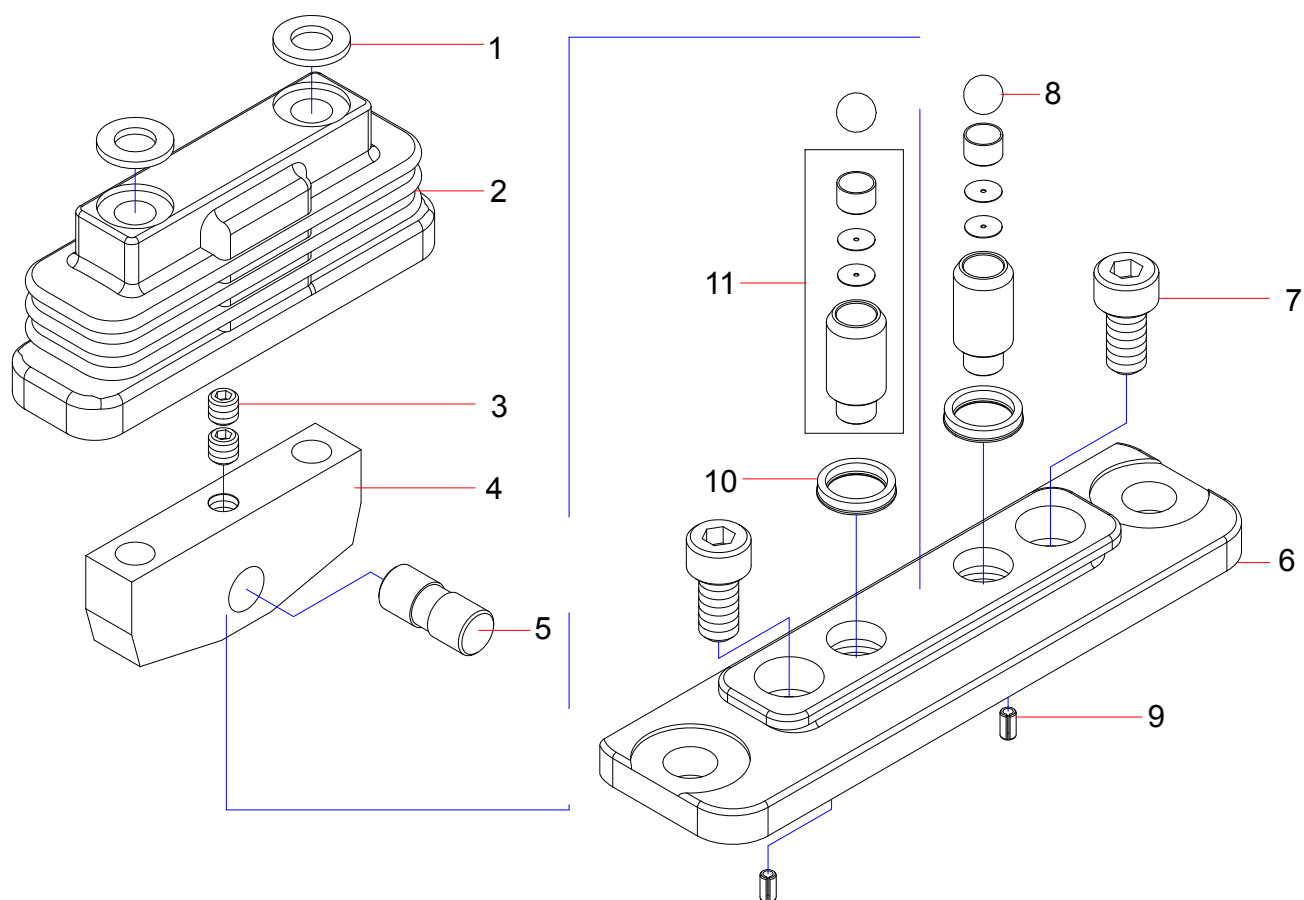
No.	Part No.	Description	Qty	Page number
10	23004473	Rubber Hose	1	
59	B230103004593	Rubber hose	1	



No.	Part No.	Description	Qty	Page number
7	60086357	Clamp	1	
19	60120221	Rubber Hose	4	
40	60169726	Rubber Hose	1	
48	60120220	Rubber Hose	1	
53	60120216	Rubber Hose	1	
54	60120218	Rubber Hose	1	

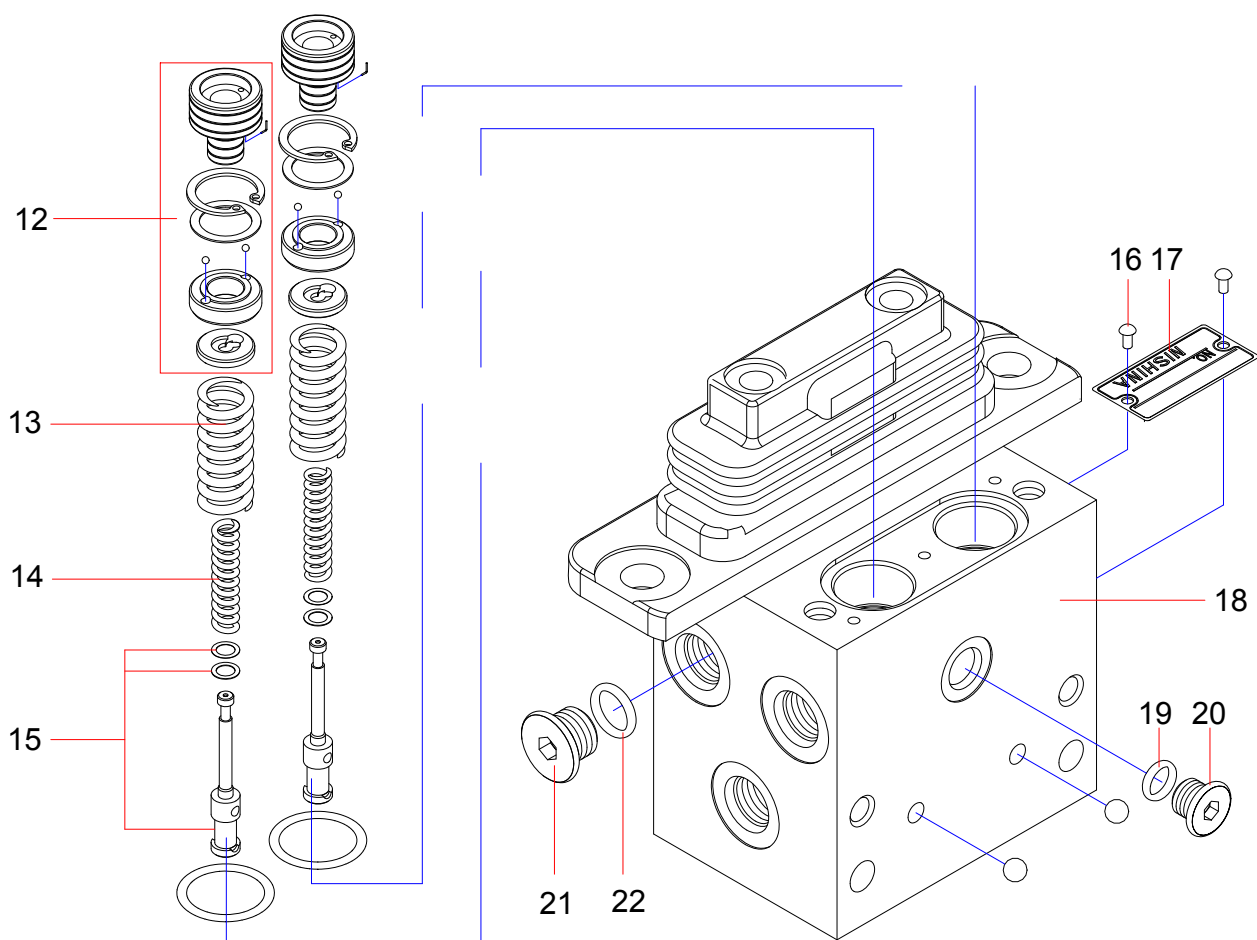


No.	Part No.	Description	Qty	Page number
29	60255796	RubberHose	2	

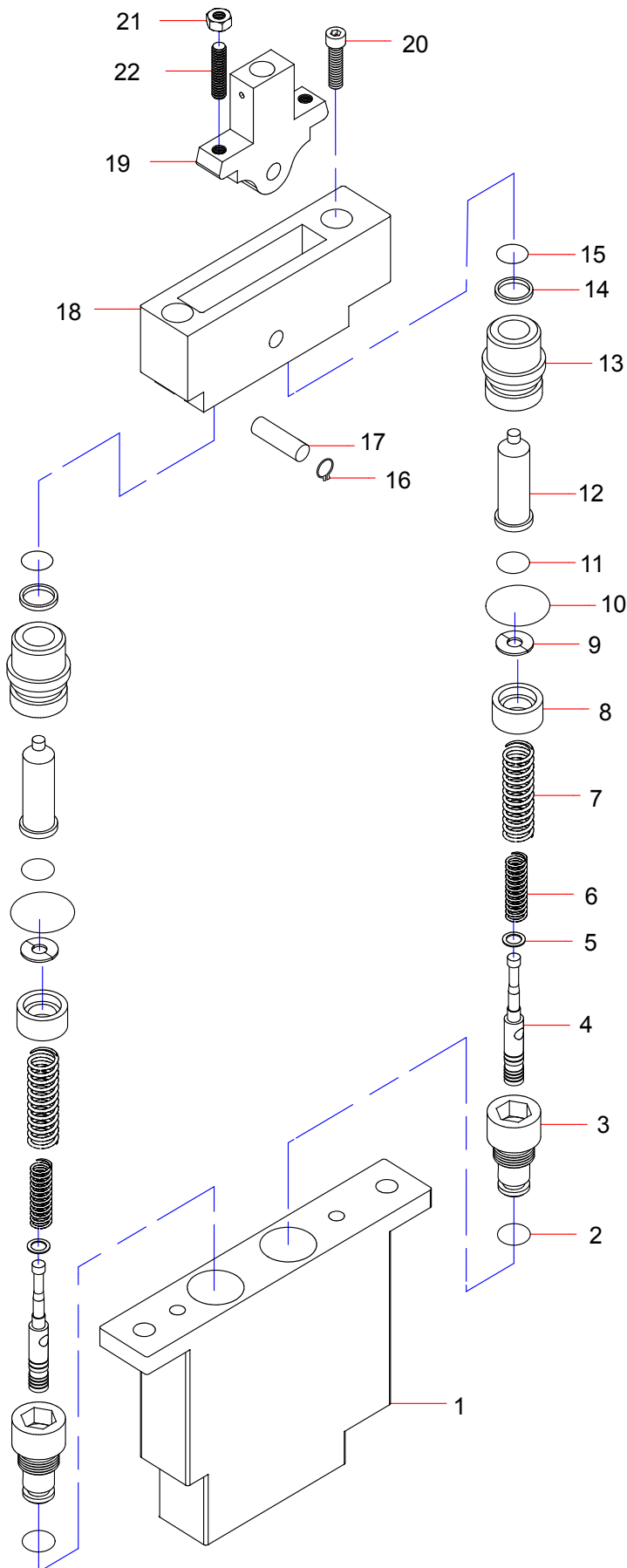




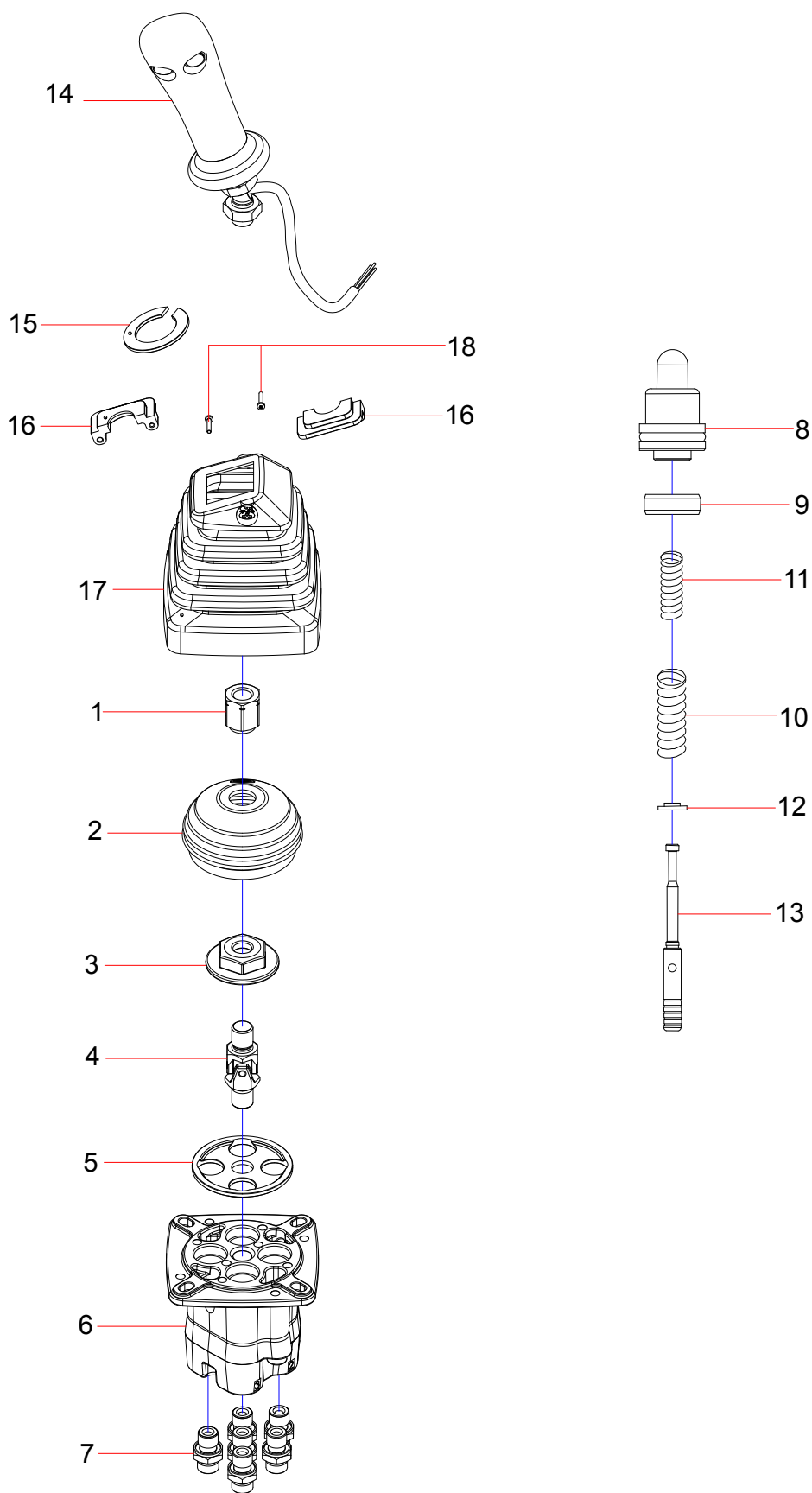
No.	Part No.	Description	Qty	Page number
1	11578416	washer	4	
2	60171688	Protective sleeve	2	
3	60171541	Plug	4	
4	60171597	Spool Guide	2	
5	60171675	Pin	2	
6	60171644	Fixed plate	2	
7	60171656	Screw	4	
8	60171567	Steel ball	4	
9	60171676	Pin	4	
10	60171550	Retaining ring	4	
11	60171672	Push rod assembly	4	



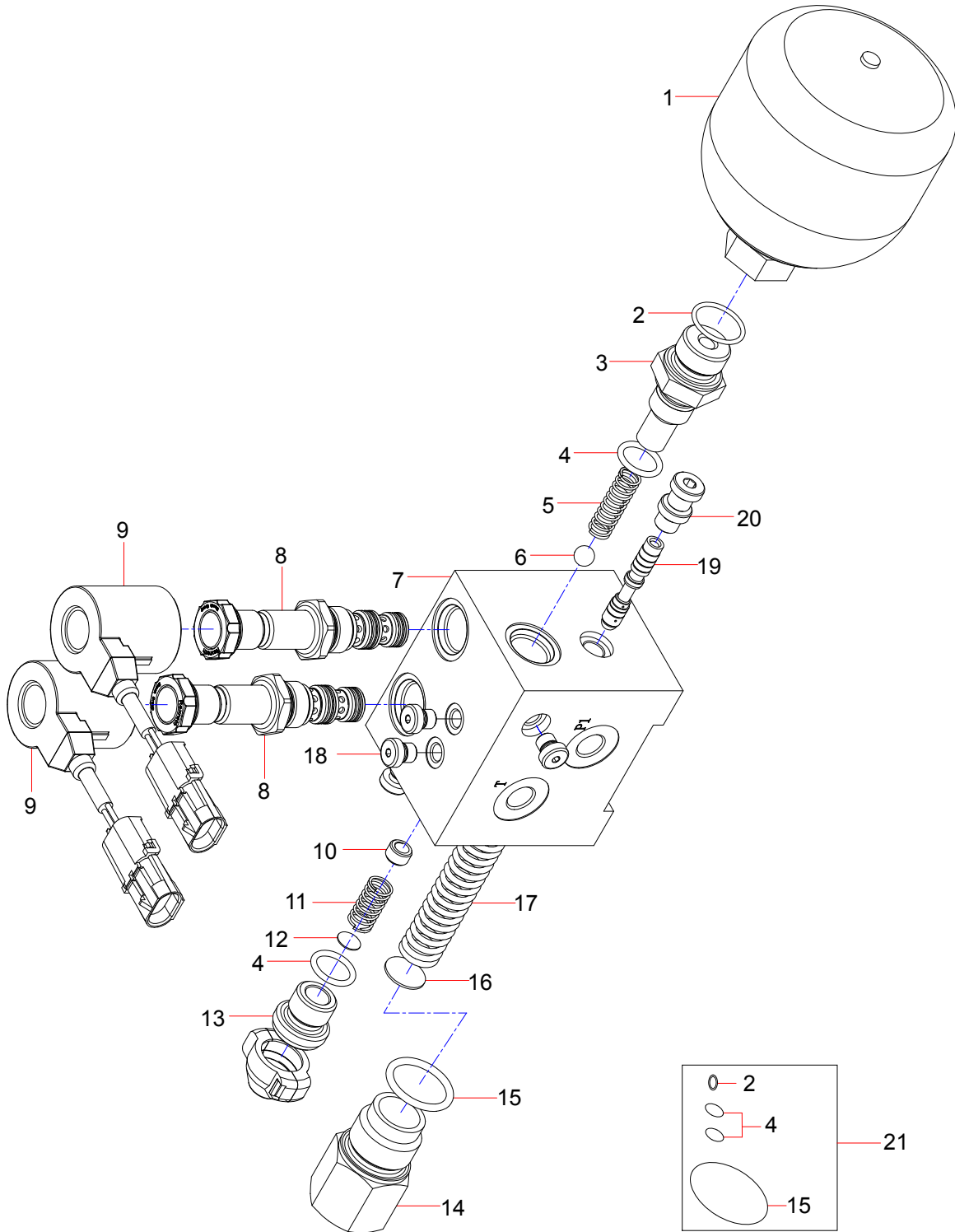
No.	Part No.	Description	Qty	Page number
12	60171686	plunger assembly	1	
13	60171613	Spring	2	
14	60171614	Spring	2	
15	60171582	Spool	2	
16	60141820	Cross recessed pan head tapping screws	2	
17	60171658	Nameplate	1	
18	60171572	Body of valve	1	
19	A210608000073	O-ring	1	
20	60082841	Screw Plug	1	
21	60147943	Plug	1	
22	A210609000095	O-ring	1	



No.	Part No.	Description	Qty	Page number
1	A210608000007	O-ring	2	
2	60290359	Valve pocket	2	
3	60290360	Spool	2	
4	60290361	Spring washer	2	
5	60290362	Spring	2	
6	60290363	Spring	2	
7	60290364	Seat	2	
8	60290365	Washer	4	
9	B230101000049	O-ring	2	
10	60290366	Steel-wire retainer ring	2	
11	60290367	Piston Rod	2	
12	60290368	Copper sleeve	2	
13	60290369	U ring	2	
14	21019042	O-ring	2	
15	A210414000003	Retainer Ring	2	
16	60290370	Pin	1	
17	60290371	Seat	1	
18	60290372	Swing holder	1	
19	A210204000134	Screw	2	
20	A210307000015	Nut	2	
21	60290373	Screw	2	
22	A210414000003	Retainer Ring	2	

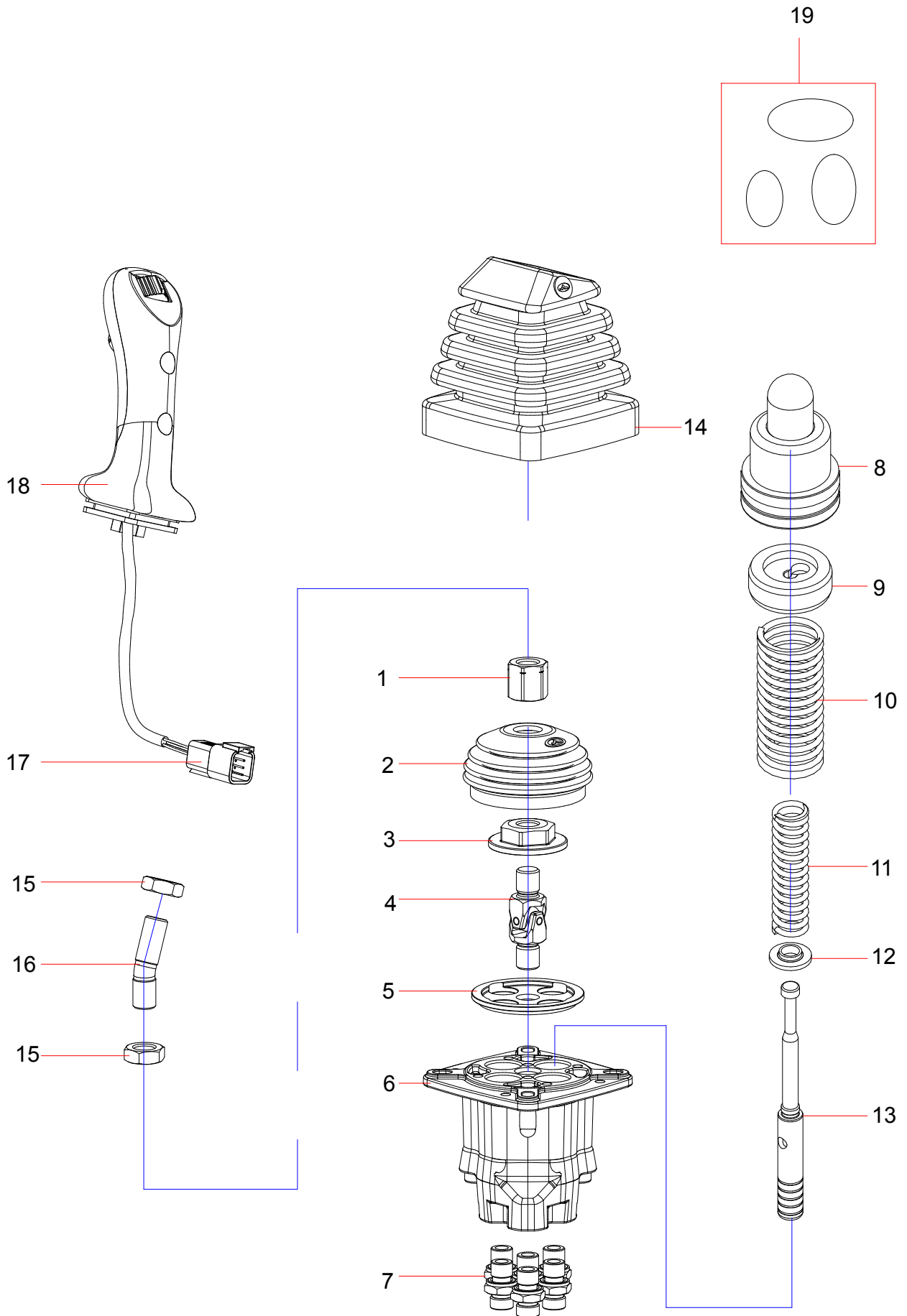


No.	Part No.	Description	Qty	Page number
1	60259205	Nut	1	
2	60221098	Soffietto Circolare	1	
3	60171553	Retaining ring	1	
4	60171674	Universal joint	1	
5	60221097	FLANGE	1	
6	60171579	Body of valve	1	
7	60221096	FITTING	6	
8	60171687	Plunger AS	4	
9	60171551	Retaining ring	4	
10	60171619	Spring	4	
11	60221100	SPRING	4	
12	60221102	BUSHING	4	
13	60171583	Spool	4	
14	60259524	Handle	1	
15	60171552	Retaining ring	1	
16	60228598	rubber flange	2	
17	60238623	Rubber Sleeve	1	
18	60259207	Screw	2	

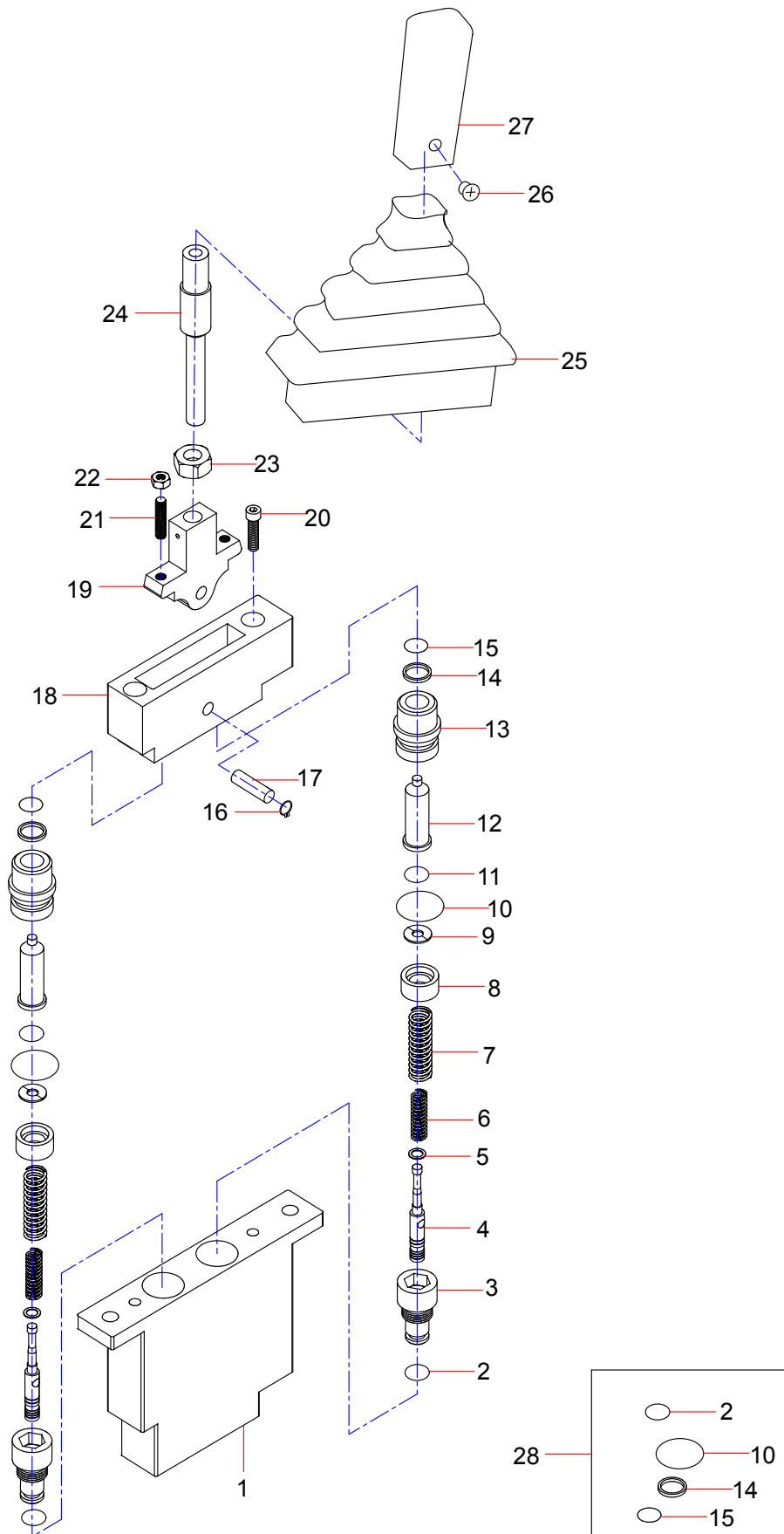




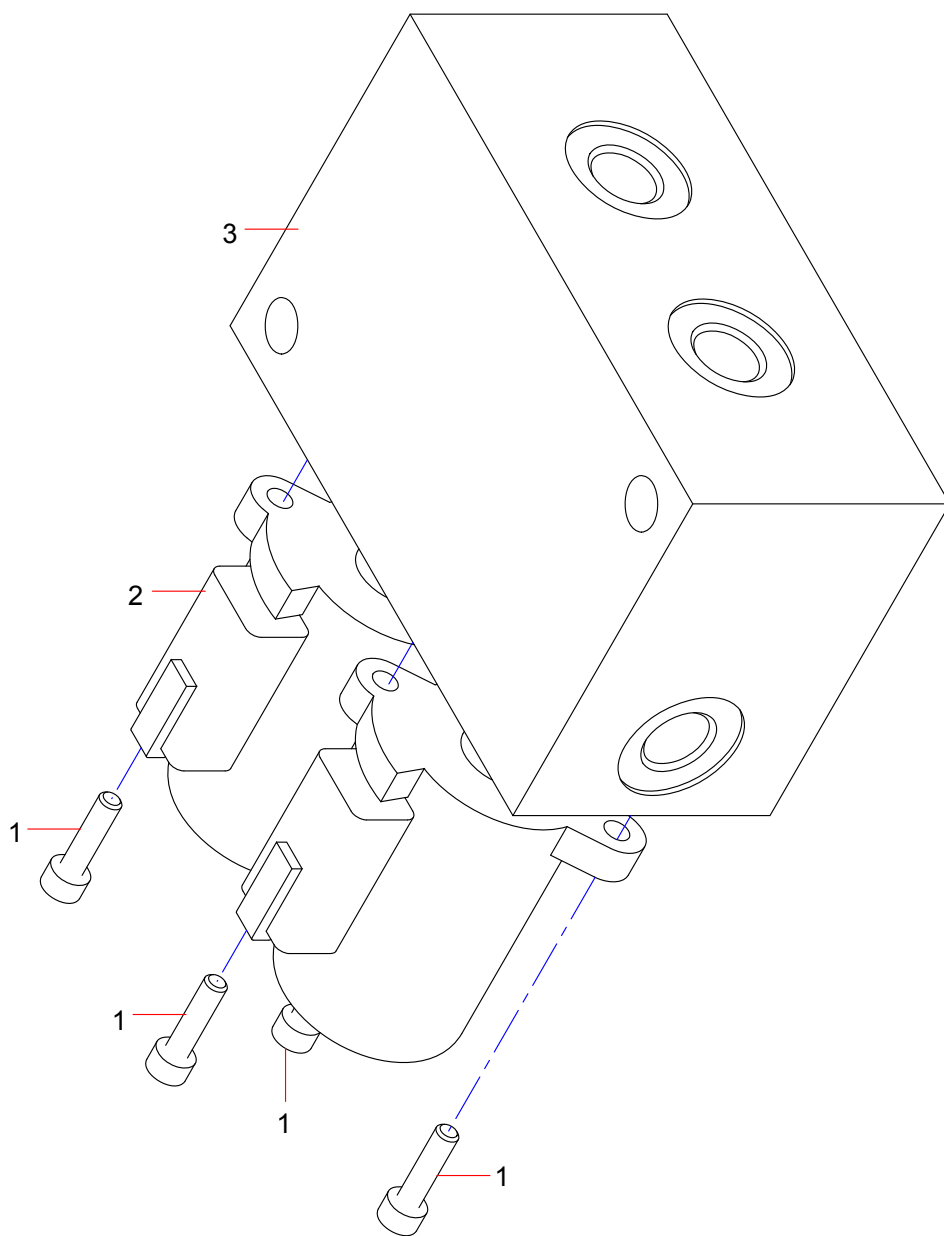
No.	Part No.	Description	Qty	Page number
1	61016947	Accumulator	1	
2	61016949	O-Ring	1	
3	61016948	Accumulator connector	1	
4	61016952	O-Ring	2	
5	61016951	Spring	1	
6	61016950	Ball	1	
7	61016944	Mhste Housing	1	
8	61016945	Electromagnetic valve	2	
9	61016946	Coil	2	
10	61016956	Cone	1	
11	61016961	Spring	1	
12	61016962	Spacer	1	
13	61016960	Plug	1	
14	61016955	Reducer hosing	1	
15	61016957	O-Ring	1	
16	61016958	Spacer	1	
17	61016959	Spring	1	
18	61016963	Plug	5	
19	61016954	Reducer spool	1	
20	61016953	Plug	1	
21	61016964	Oil source valve repair kit	1	



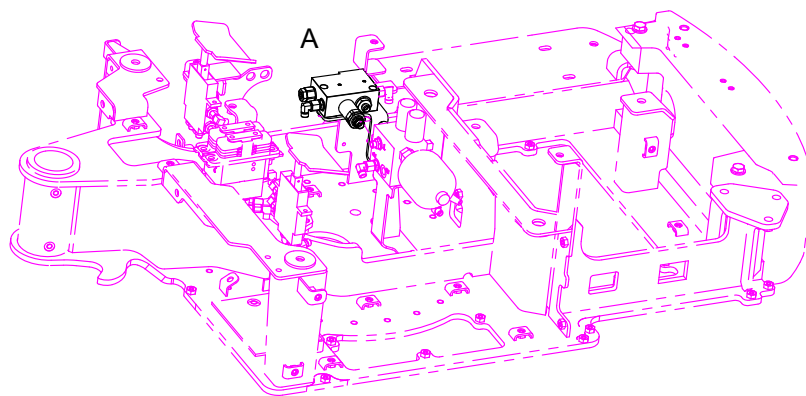
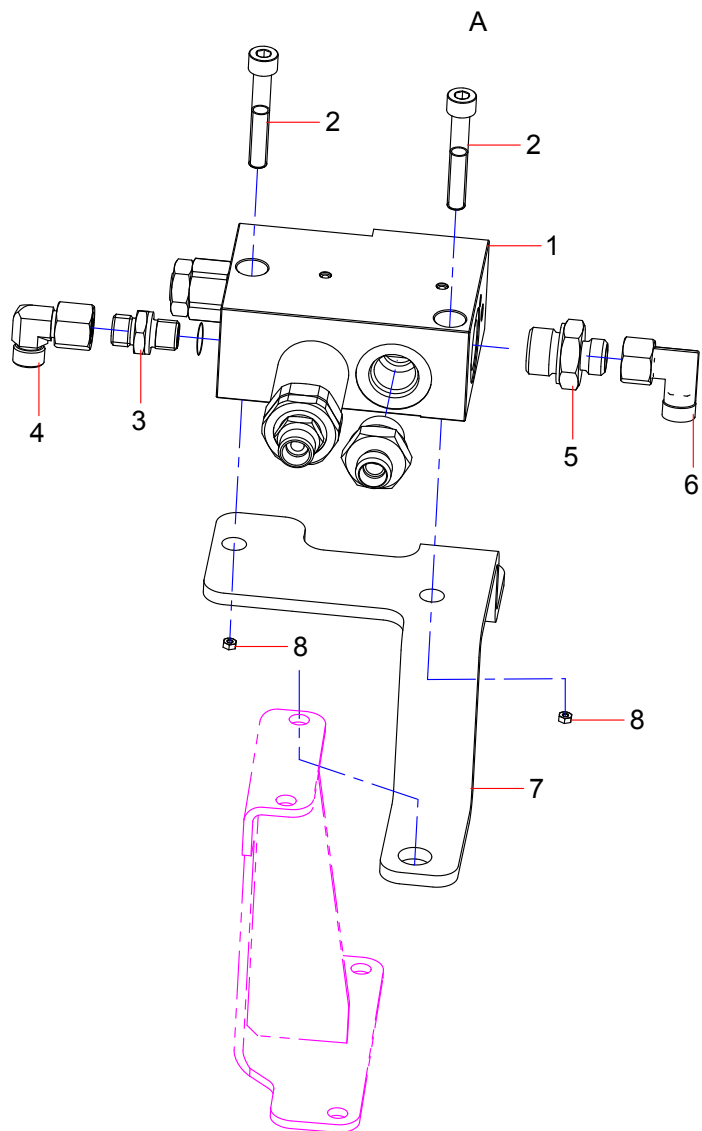
No.	Part No.	Description	Qty	Page number
1	60259205	Nut	1	
2	60221098	Soffietto Circolare	1	
3	60171553	Retaining ring	1	
4	61026666	Universal joint	1	
5	60221097	FLANGE	1	
6	60171579	Body of valve	1	
7	61026667	Joint	6	
8	60171687	Plunger AS	4	
9	60171551	Retaining ring	4	
10	60171619	Spring	4	
11	60221100	SPRING	4	
12	60221102	BUSHING	4	
13	60171583	Spool	4	
14	60238623	Rubber Sleeve	1	
15	61026665	Nut	2	
16	61026664	Connecting rod	1	
17	61026661	Connector	1	
18	61026663	Handle	1	
19	61026669	Repair kit,handle	1	



No.	Part No.	Description	Qty	Page number
1	60290358	Body	1	
2	A210608000007	O-ring	2	
3	60290359	Valve pocket	2	
4	60290360	Spool	2	
5	60290361	Spring washer	2	
6	60290362	Spring	2	
7	60290363	Spring	2	
8	60290364	Seat	2	
9	60290365	Washer	4	
10	B230101000049	O-ring	2	
11	60290366	Steel-wire retainer ring	2	
12	60290367	Piston Rod	2	
13	60290368	Copper sleeve	2	
14	60290369	U ring	2	
15	21019042	O-ring	2	
16	A210414000003	Retainer Ring	2	
17	60290370	Pin	1	
18	60290371	Seat	1	
19	60290372	Swing holder	1	
20	A210204000134	Screw	2	
21	60290373	Screw	2	
22	A210307000015	Nut	2	
23	A210307000012	Nut	1	
24	60290374	Joystick assembly	1	
25	60290375	Dust Cover	1	
26	60290376	Screw	1	
27	60290377	Cap	1	
28	150588000006	Repair Kit	1	

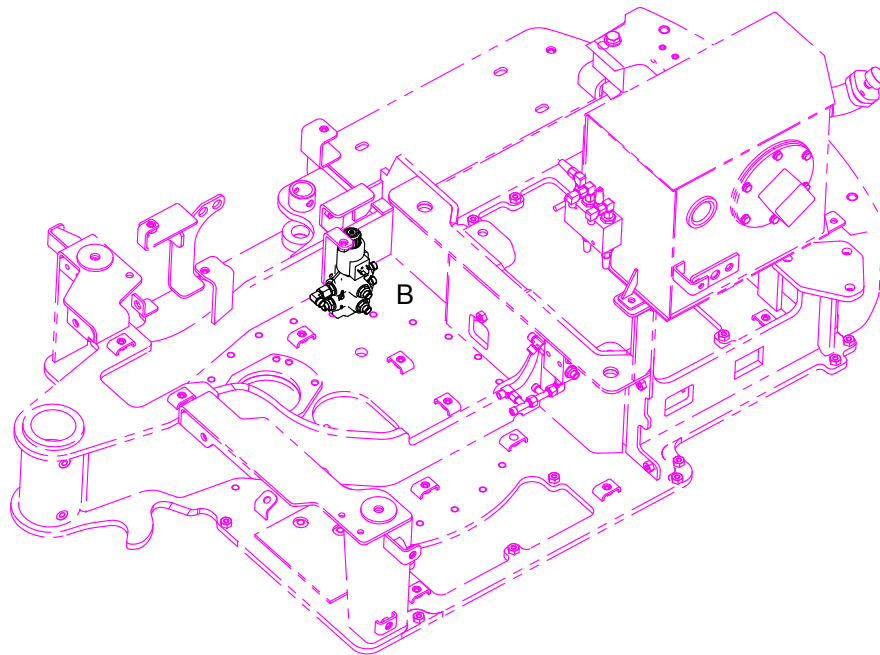
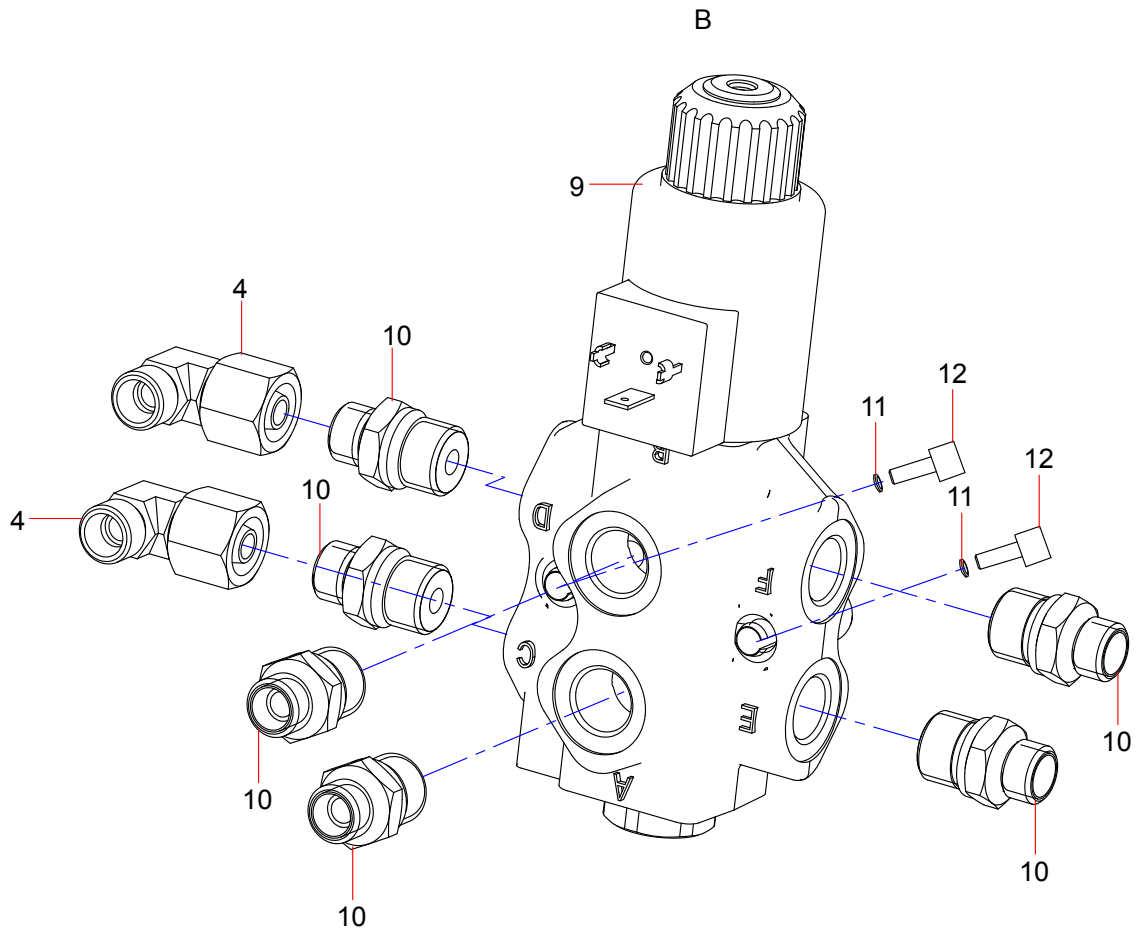


No.	Part No.	Description	Qty	Page number
1	61025254	Bolt, socket head	4	
2	61025255	Solenoid valve	2	
3	61025256	Valve block	1	

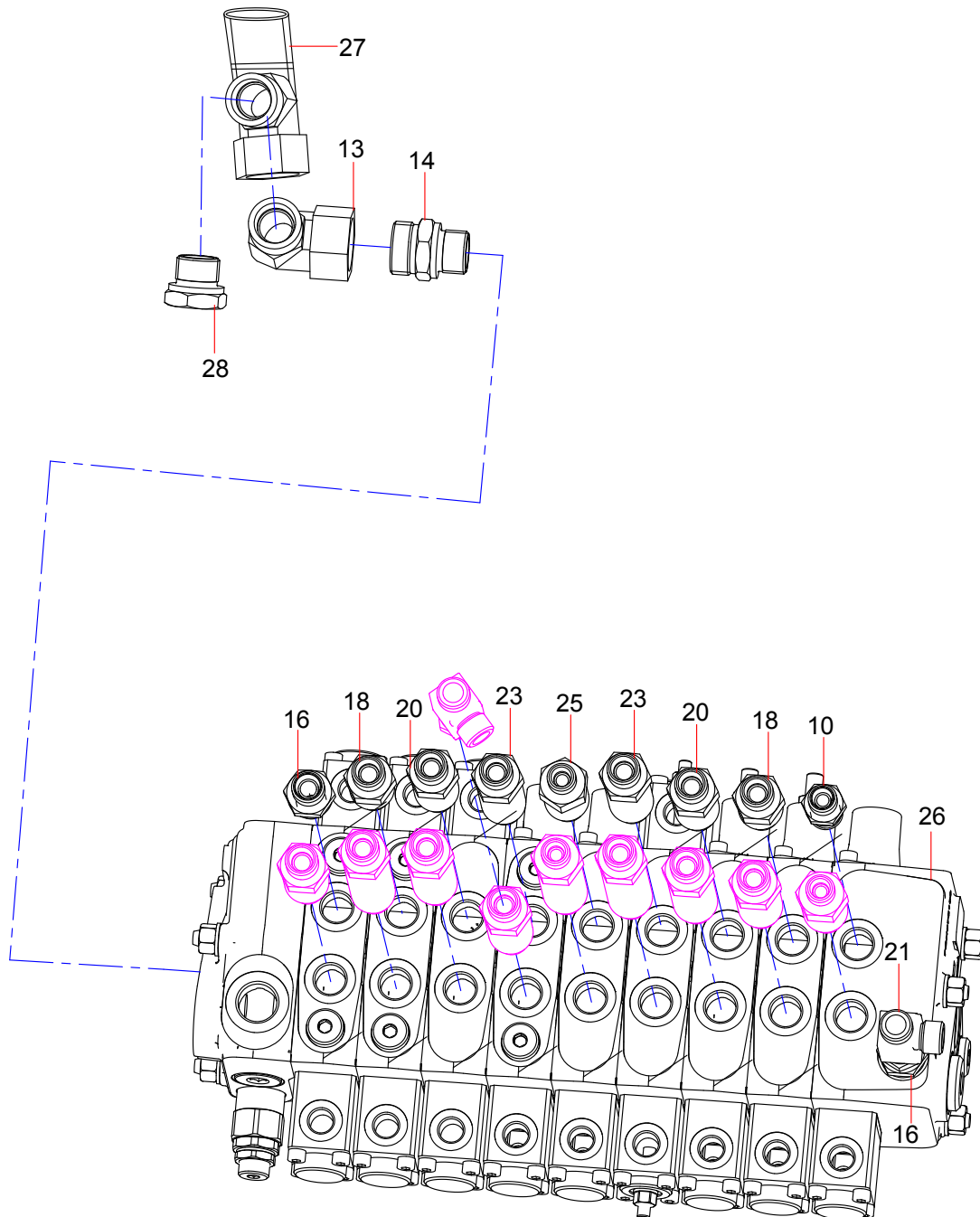




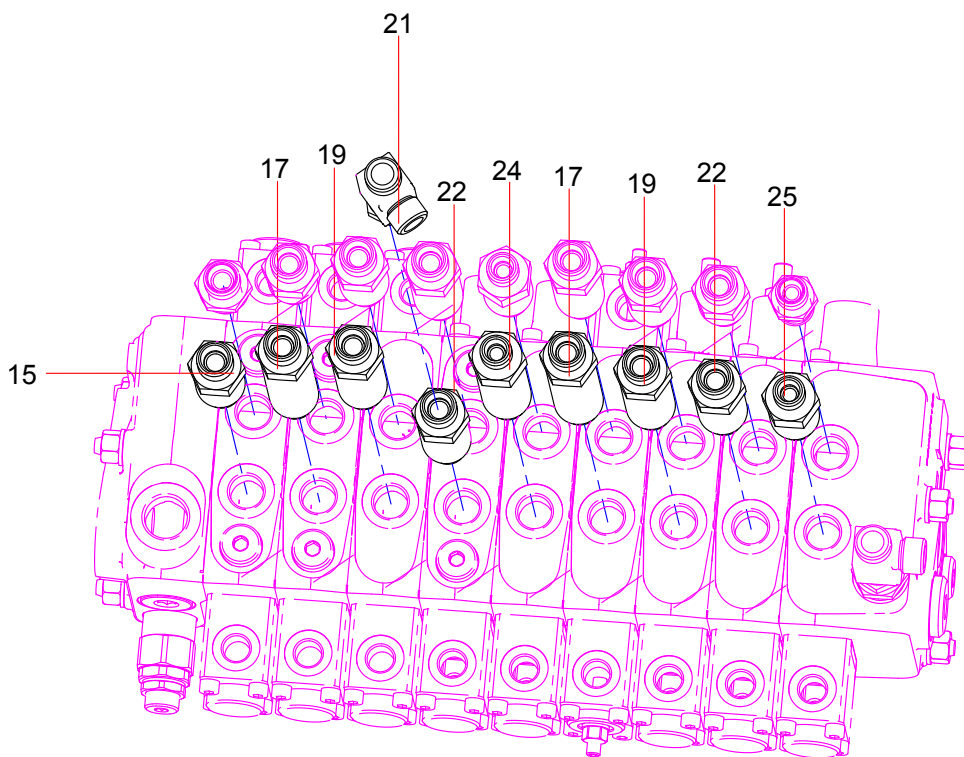
No.	Part No.	Description	Qty	Page number
1	60240905	holding valve	1	6-100
2	A210204000170	Screw	2	
3	B210780000176	Fitting, Adapter	1	
4	B210780000418	Fitting, Elbow	3	
5	21007930	Pipe connector	2	
6	B210780000636	Fitting, Elbow	4	
7	13208579	PLATE	1	
8	A210307000012	Nut	2	



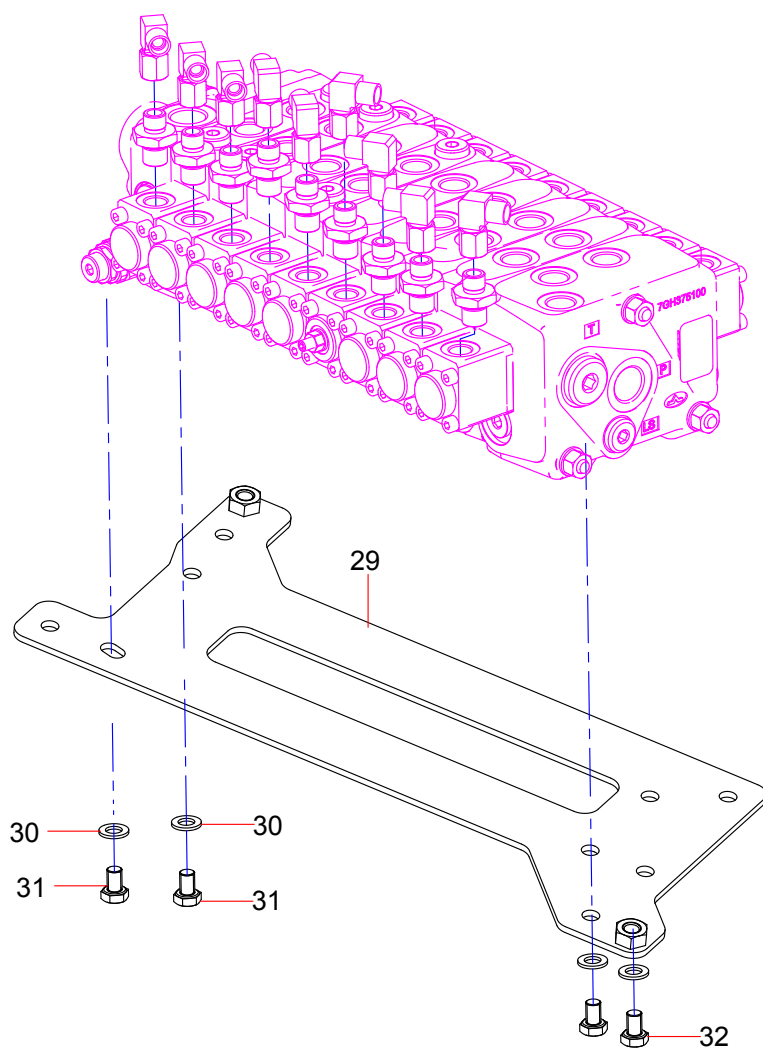
No.	Part No.	Description	Qty	Page number
4	B210780000418	Fitting, Elbow	3	
9	60267183	Electromagnetic Reversing Valve	1	6-102
10	B210780000979	Connector, pipe	7	
11	24000632	Washer	4	
12	A210204000136	Screw	2	



No.	Part No.	Description	Qty	Page number
10	B210780000979	Connector, pipe	7	
13	B210780001310	Fitting, Elbow	3	
14	B210780000141	Fitting, Adapter	2	
16	B210780000177	Connector, pipe	4	
18	12978973	Connector	2	
20	12978975	Connector	2	
21	B210780000015	Fitting, Tee	1	
23	12978983	Connector	2	
25	12978988	Connector	2	
26	60319138	Multiple valve	1	6-104
27	B210780001007	Fitting, Tee	2	
28	60235514	Taper Hole Plug	1	

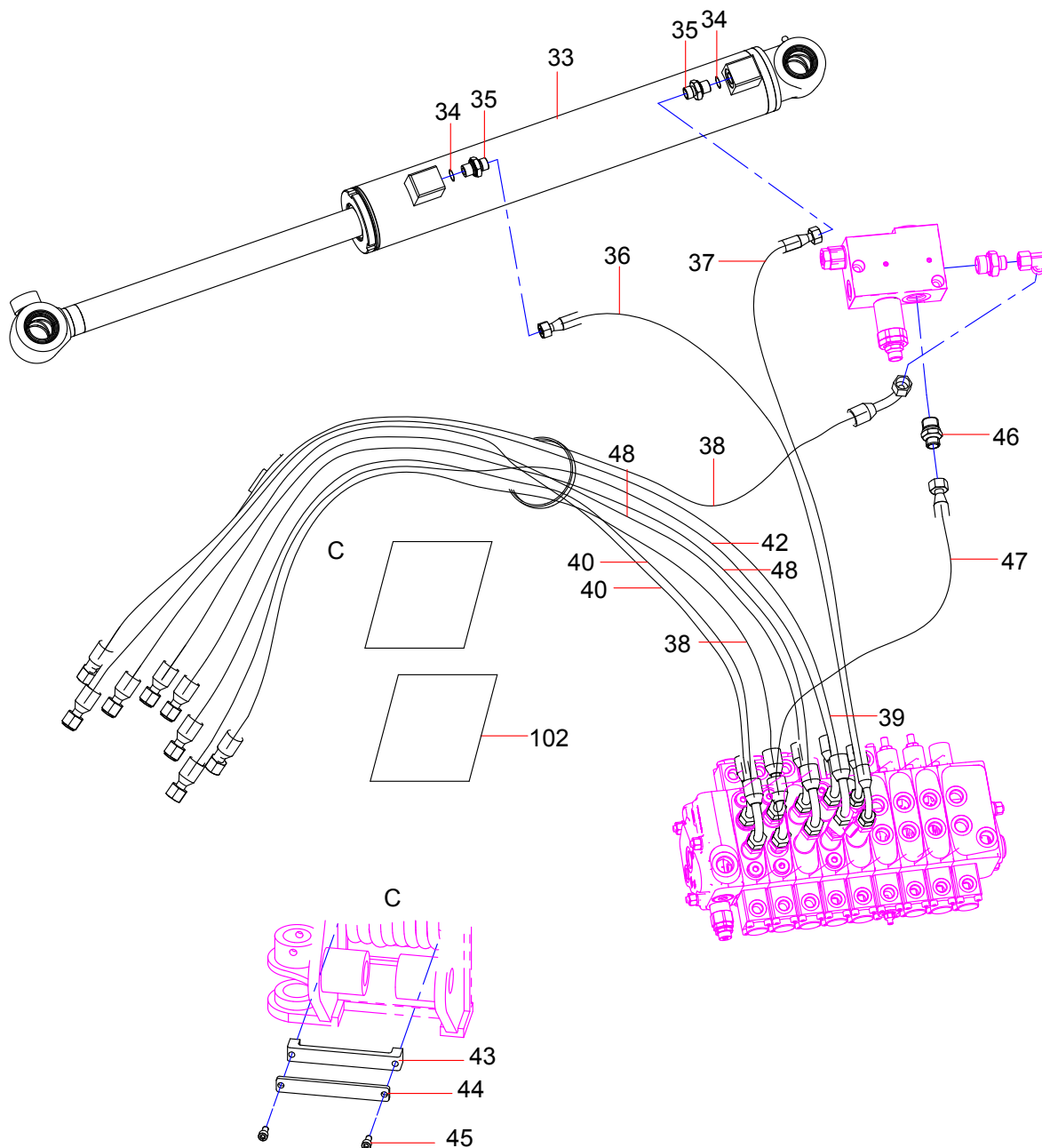


No.	Part No.	Description	Qty	Page number
15	12978957	Connector	1	
17	12978970	Connector	2	
19	12978969	Connector	2	
21	B210780000015	Fitting, Tee	1	
22	12978967	Connector	2	
24	12978987	Connector	1	
25	12978988	Connector	2	

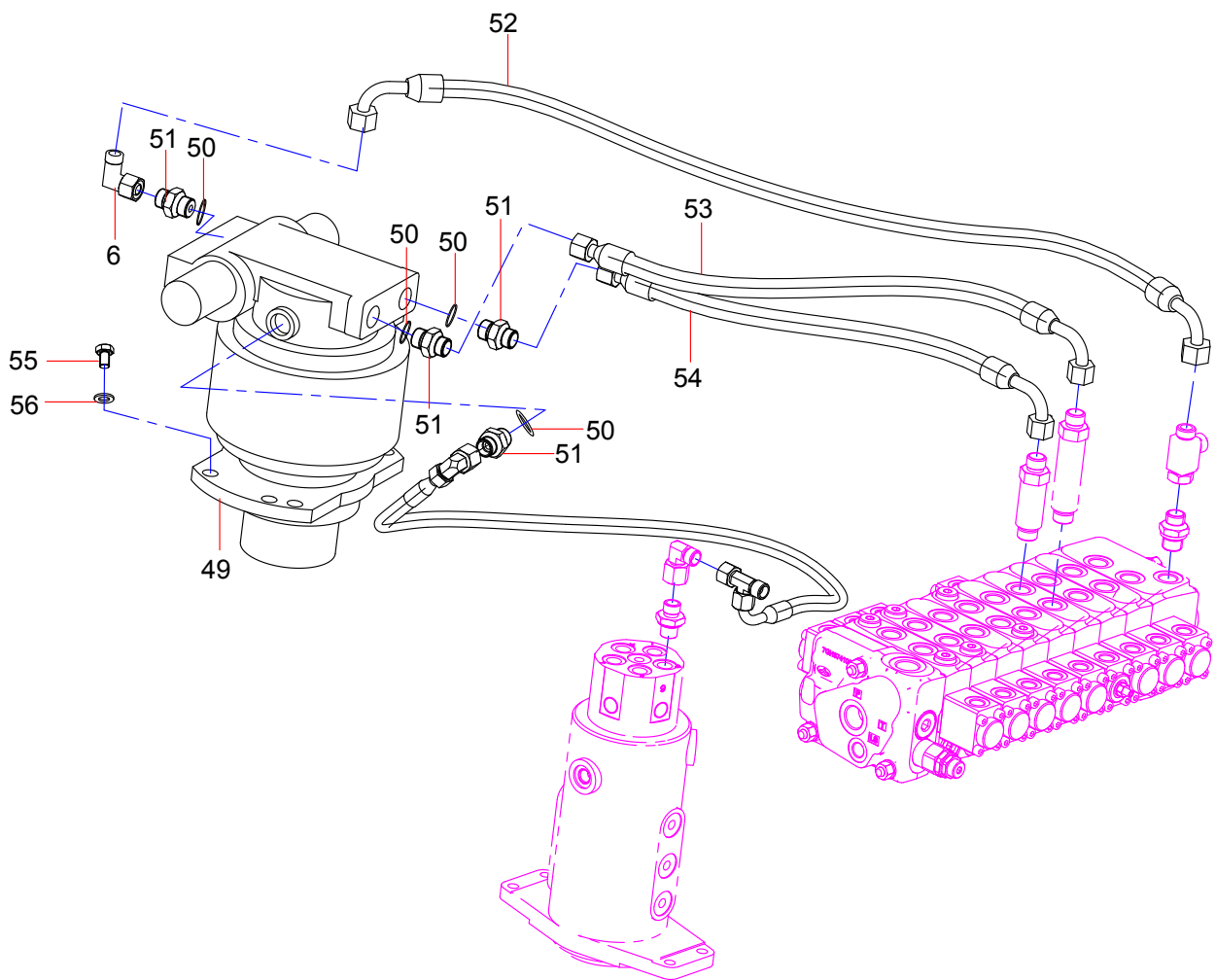




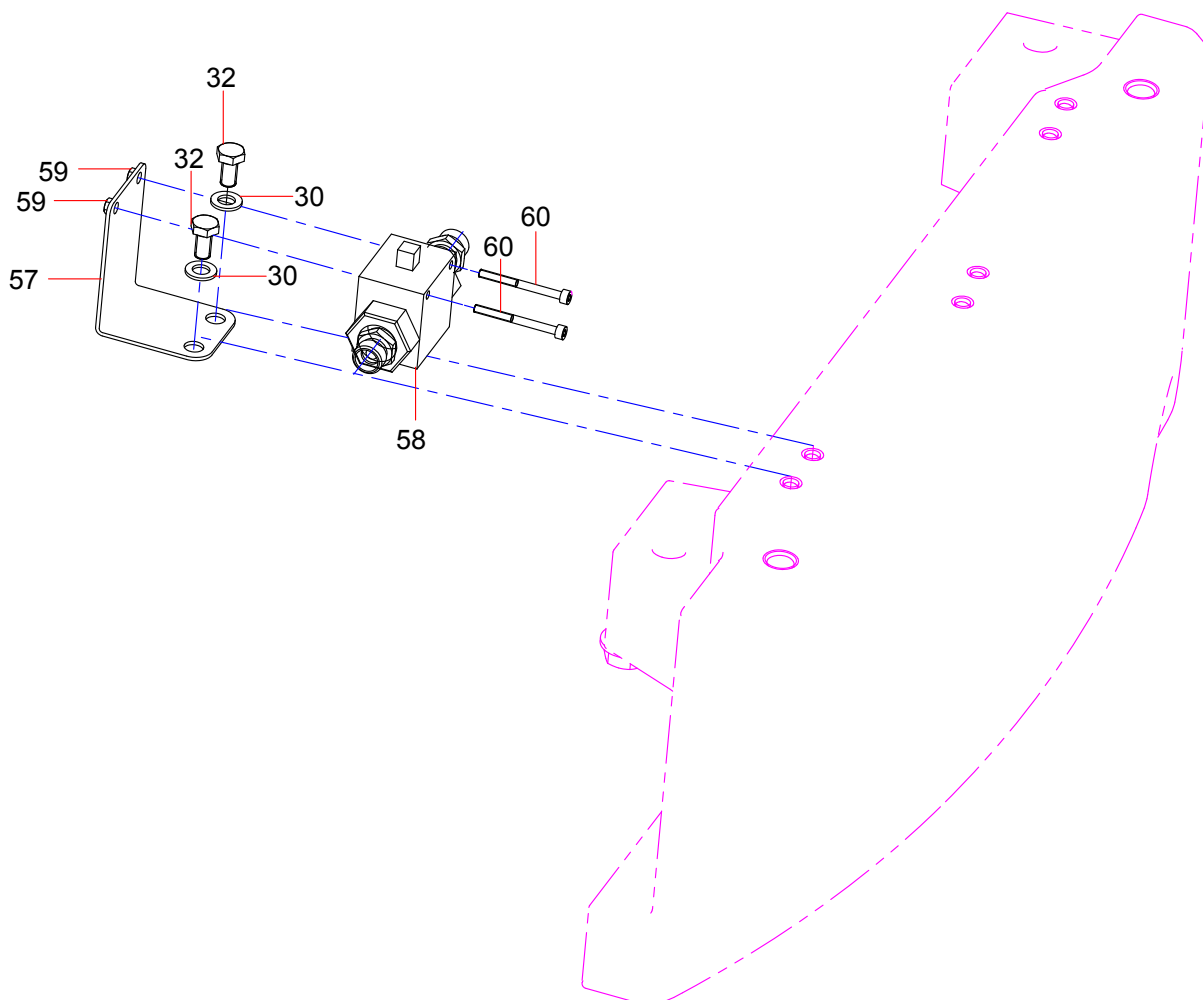
No.	Part No.	Description	Qty	Page number
29	13886422	main valve frame	1	
30	24000633	Washer	12	
31	A210111000342	Bolt	4	
32	A210111000348	Bolt	5	



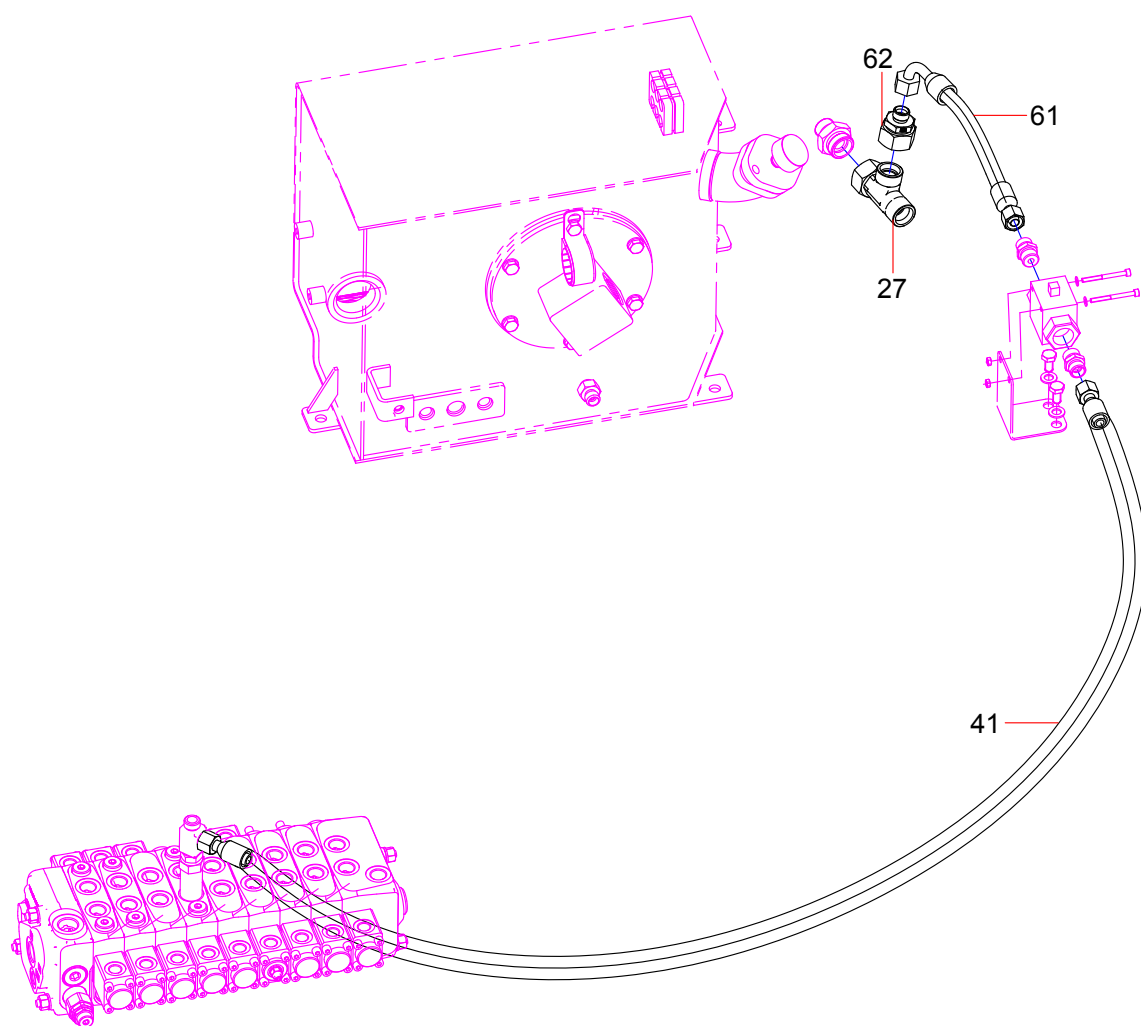
No.	Part No.	Description	Qty	Page number
33	13011011	Bucket Oil Cylinder	1	6-108
34	A230101000247	O-ring 10.9×2.3(JISB2401)	2	
35	21002840	Fitting	2	
36	B230103001864	Rubber Hose	1	
37	21051095	Rubber hose	1	
38	B230103003690	Rubber hose	2	
39	21030629	Rubber hose	1	
40	151003210025A	Hose	2	
42	61030570	Hose	1	
43	14286753	Clamp	1	
44	14286754	Plate	1	
45	A210204000215	Screw	2	
46	12877195	G1/4(ED)-M14Connector	1	
47	B230103000473	Hose Assembly	1	
48	12922619	hose	2	
102	13391350	hose protective sleeve	2	



No.	Part No.	Description	Qty	Page number
6	B210780000636	Fitting, Elbow	4	
49	60022059	Reducer assembly	1	6-110
50	B230101000049	O-ring	3	
51	11287446	Connector	3	
52	A831333085800	Rubber Hose	1	
53	B230103000472	Rubber Hose	1	
54	B230103005076	Rubber hose	2	
55	24000639	Washer	8	
56	A210204000206	Screw	6	

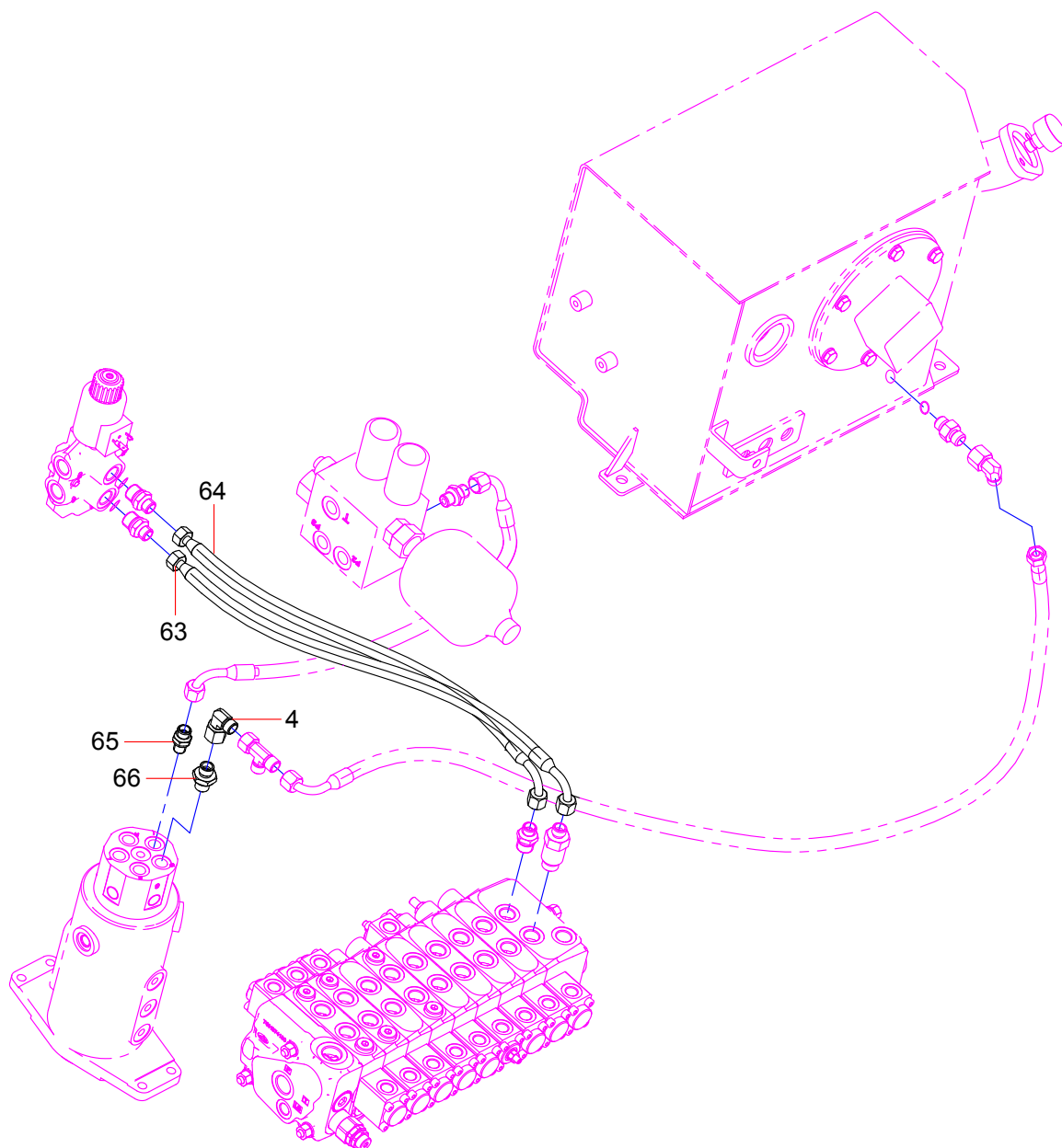


No.	Part No.	Description	Qty	Page number
30	24000633	Washer	12	
32	A210111000348	Bolt	5	
57	12978995	Plate	1	
58	60222665	GlobeValve	1	
59	A210307000016	Nut	2	
60	A210204000137	Screw	2	

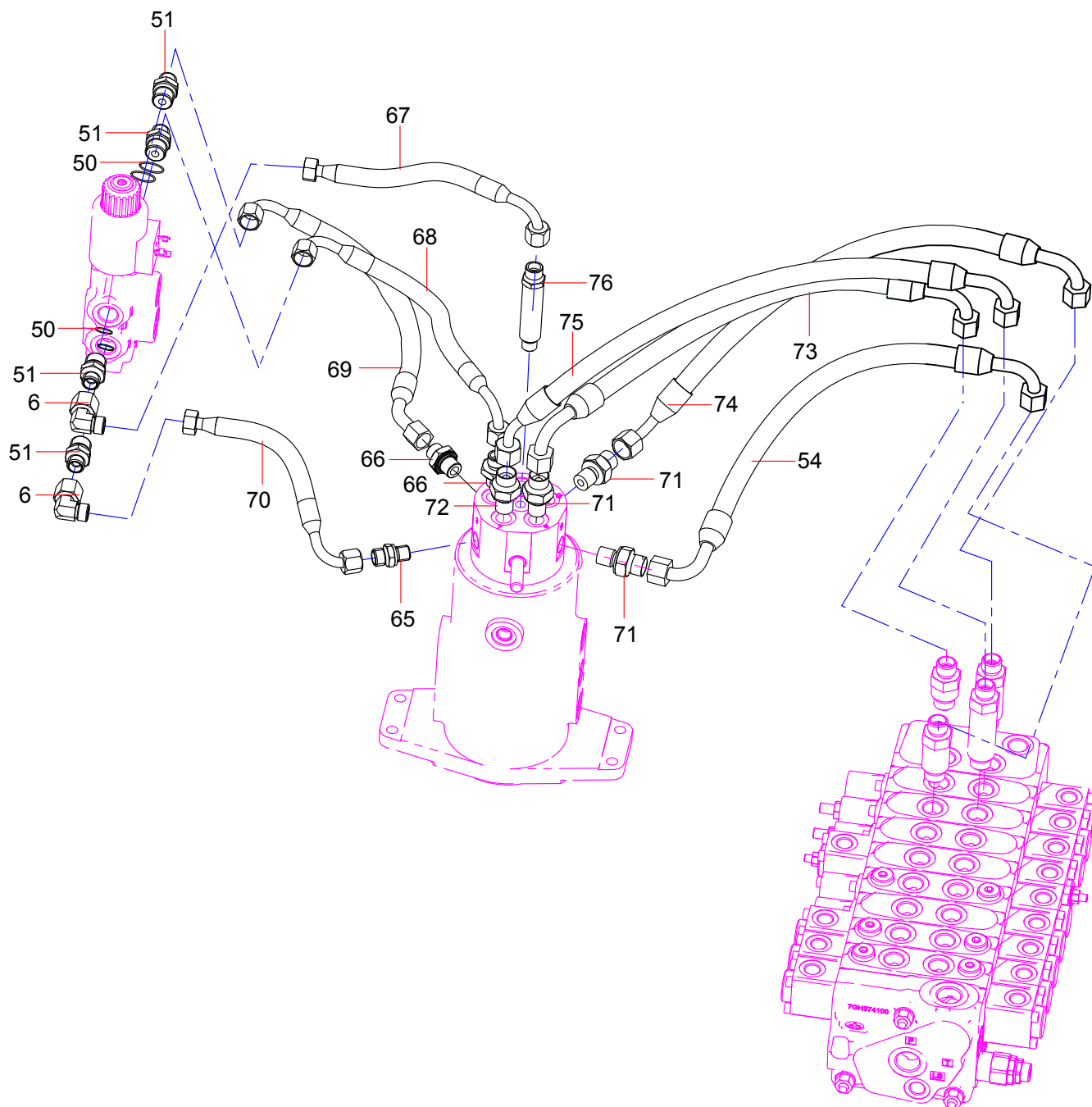




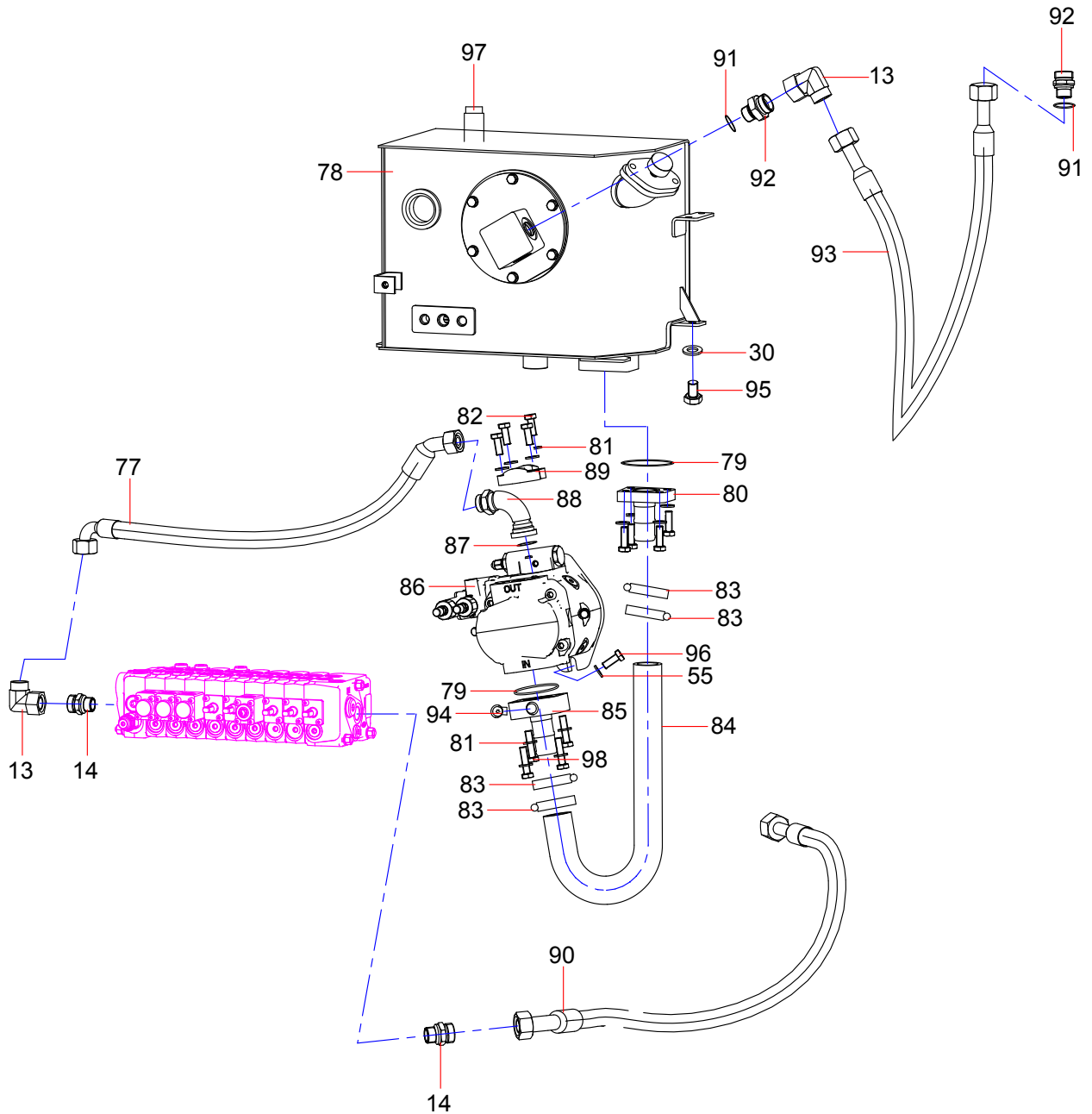
No.	Part No.	Description	Qty	Page number
27	B210780001007	Fitting, Tee	2	
41	B230103000440	Rubber hose	1	
61	61013101	Rubber Hose	1	
62	B210780001024	Fitting, Adapter	1	



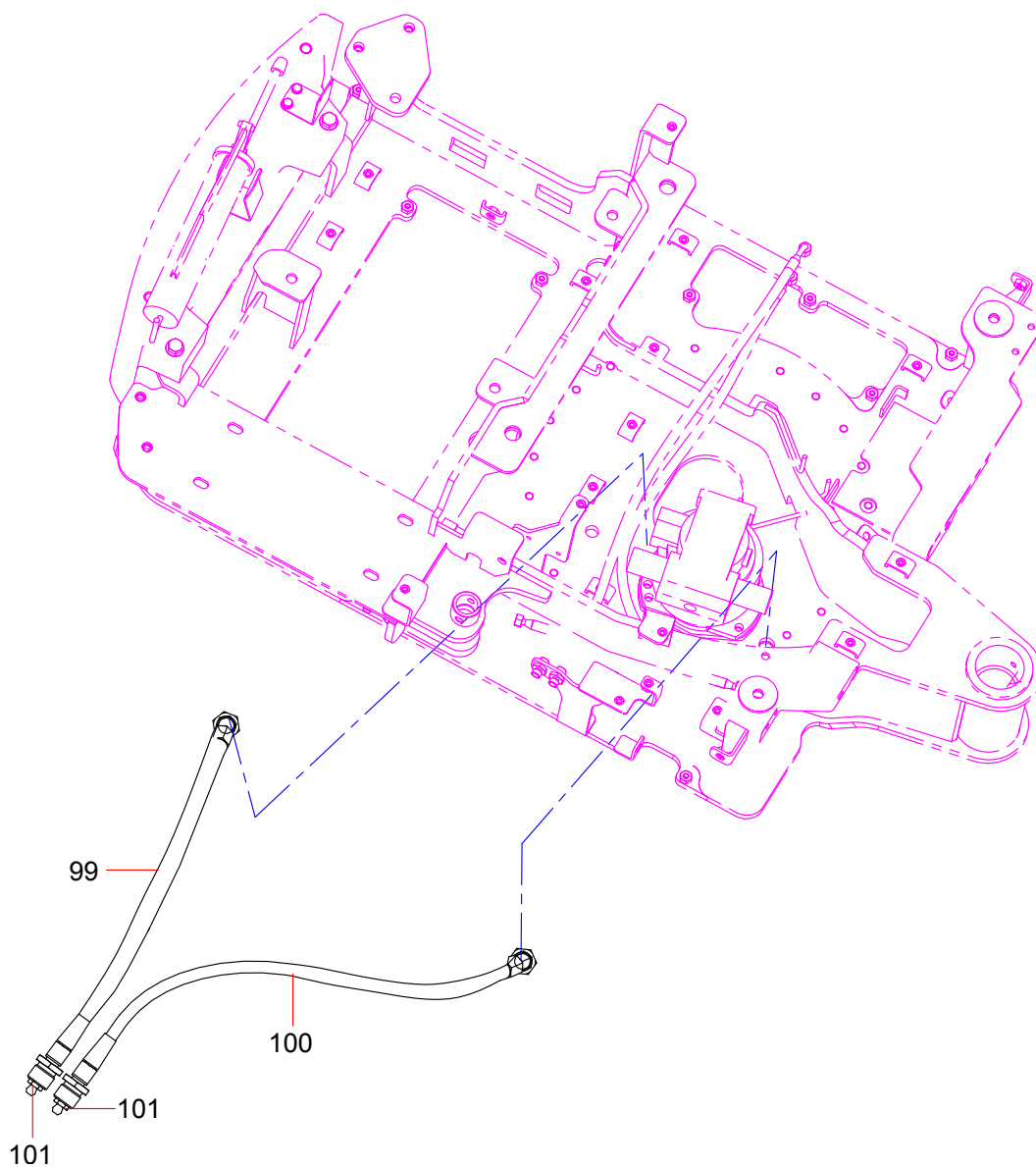
No.	Part No.	Description	Qty	Page number
4	B210780000418	Fitting, Elbow	3	
63	B230103004593	Rubber hose	1	
64	B230103001961	Hose Assembly	1	
65	B210780000174	Connector, pipe	2	
66	23000531	Stud Ends	2	



No.	Part No.	Description	Qty	Page number
6	B210780000636	Fitting, Elbow	4	
50	B230101000049	O-ring	3	
51	11287446	Connector	3	
54	B230103005076	Rubber hose	2	
65	B210780000174	Connector, pipe	2	
66	23000531	Stud Ends	2	
67	B230103002720	Rubber Hose	1	
68	B230103004331	Rubber Hose	1	
69	60227811	Rubber Hose	1	
70	23001653	Rubber Hose	1	
71	B210780000036	Connector, Pipe	3	
72	13603282	Connector	1	
73	B230103003289	Rubber hose	1	
74	60227809	Rubber Hose	1	
75	60227808	Rubber Hose	1	
76	12978991	Connector	1	

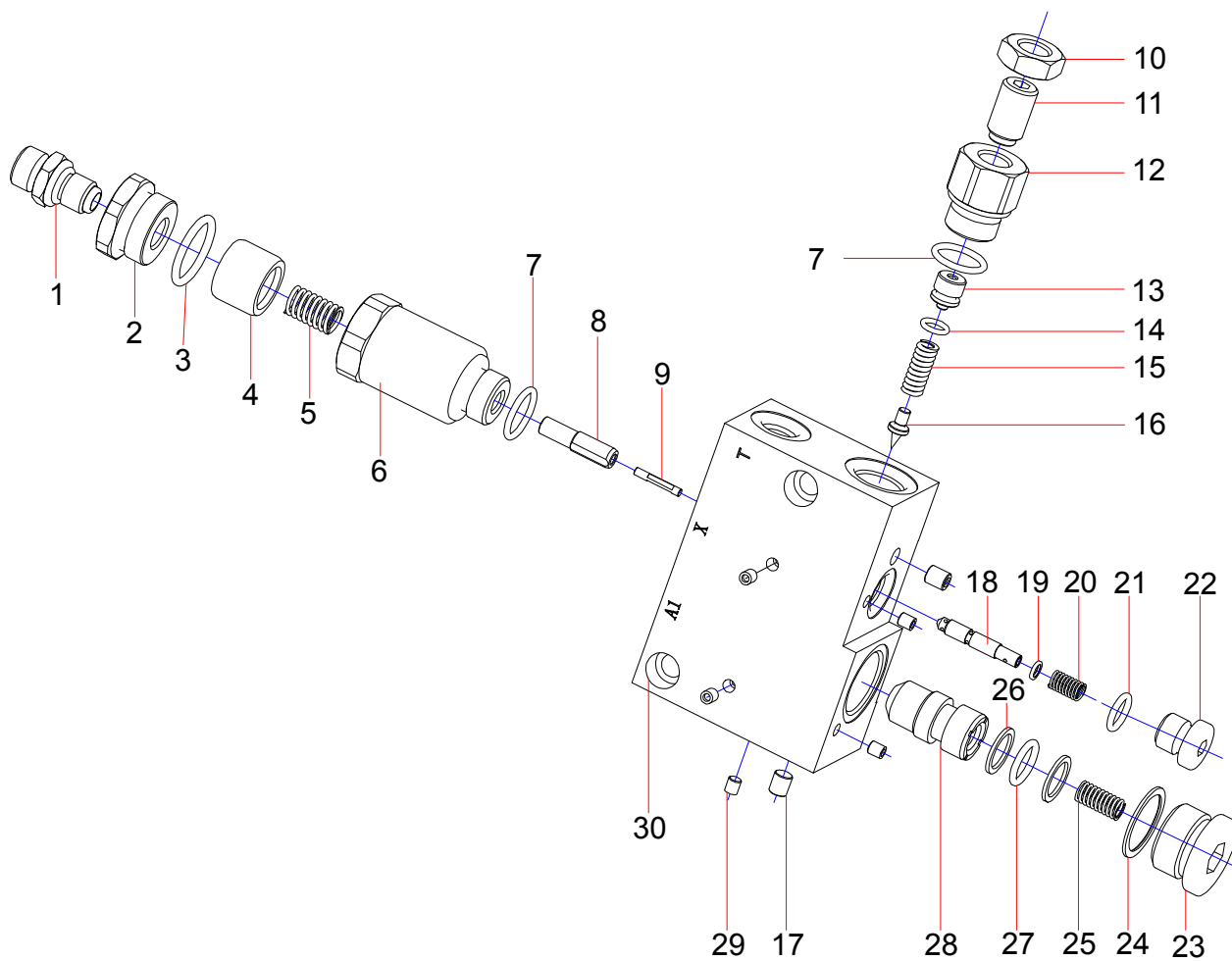


No.	Part No.	Description	Qty	Page number
13	B210780001310	Fitting, Elbow	3	
14	B210780000141	Fitting, Adapter	2	
30	24000633	Washer	12	
55	24000639	Washer	8	
77	60227814	Rubber Hose	1	
78	14272735	oil tank	1	6-116
79	A210608000068	O-ring	2	
80	12978999	Oil suction tube	1	
81	24000637	Washer	12	
82	A210111000024	Bolt	8	
83	A210855000010	Throat collar	4	
84	13105572	suction hose	1	
85	12979001	Oil suction steel tube	1	
86	150101060024B	Pump	1	6-118
87	B230101000036	O-ring	1	
88	12979036	Oil out steel tube	1	
89	B210780000696	Flange, Split	2	
90	B230103007616	Rubber hose	1	
91	B230101000090	O-Ring	3	
92	21002824	Pipe connector	3	
93	60020773	Hose AS	1	
94	B210780000895	Screw plug	1	
95	A210111000343	Bolt	3	
96	A210111000202	Bolt	2	
97	B210780000164	Screw Plug	1	
98	21005186	Bolt	4	

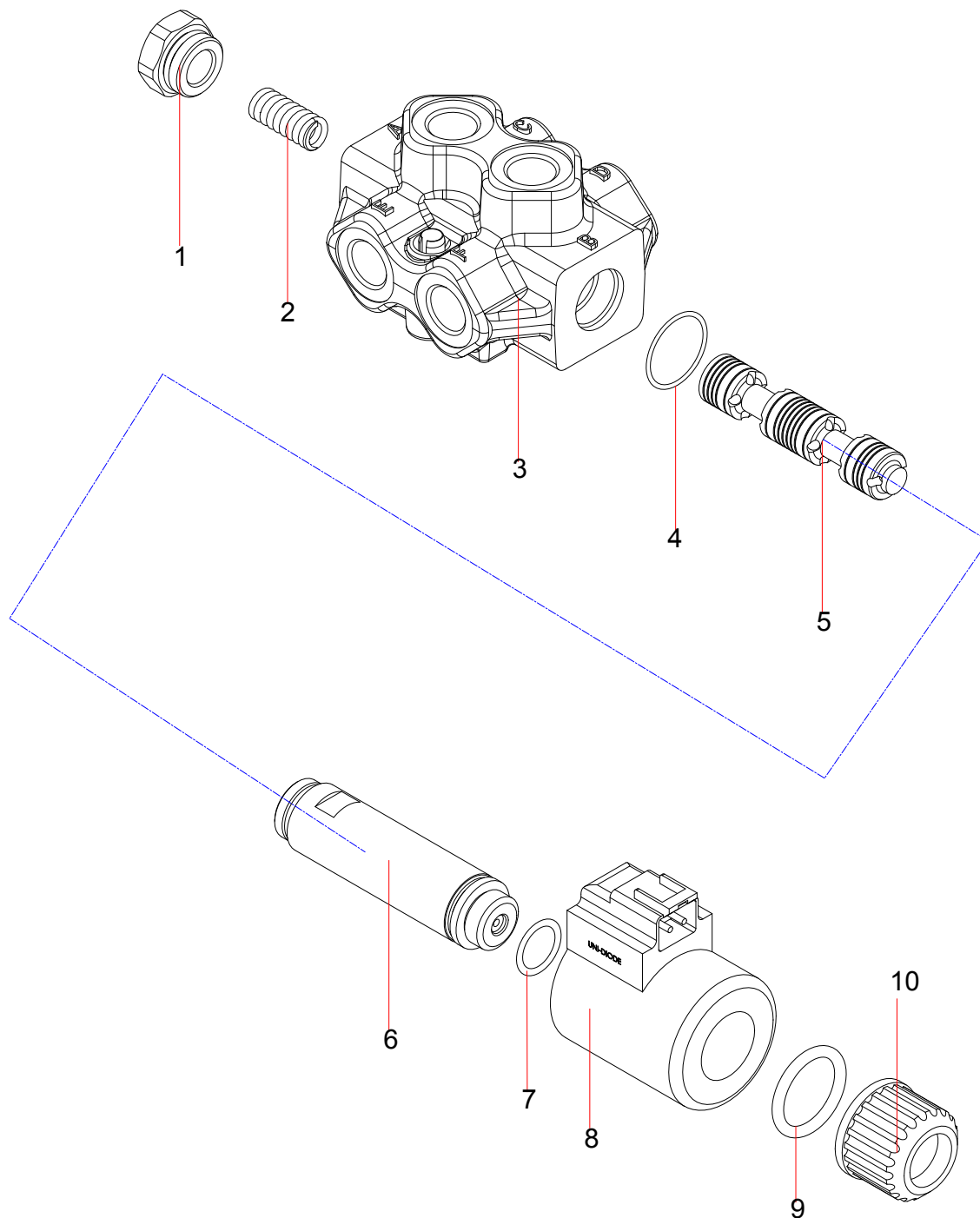




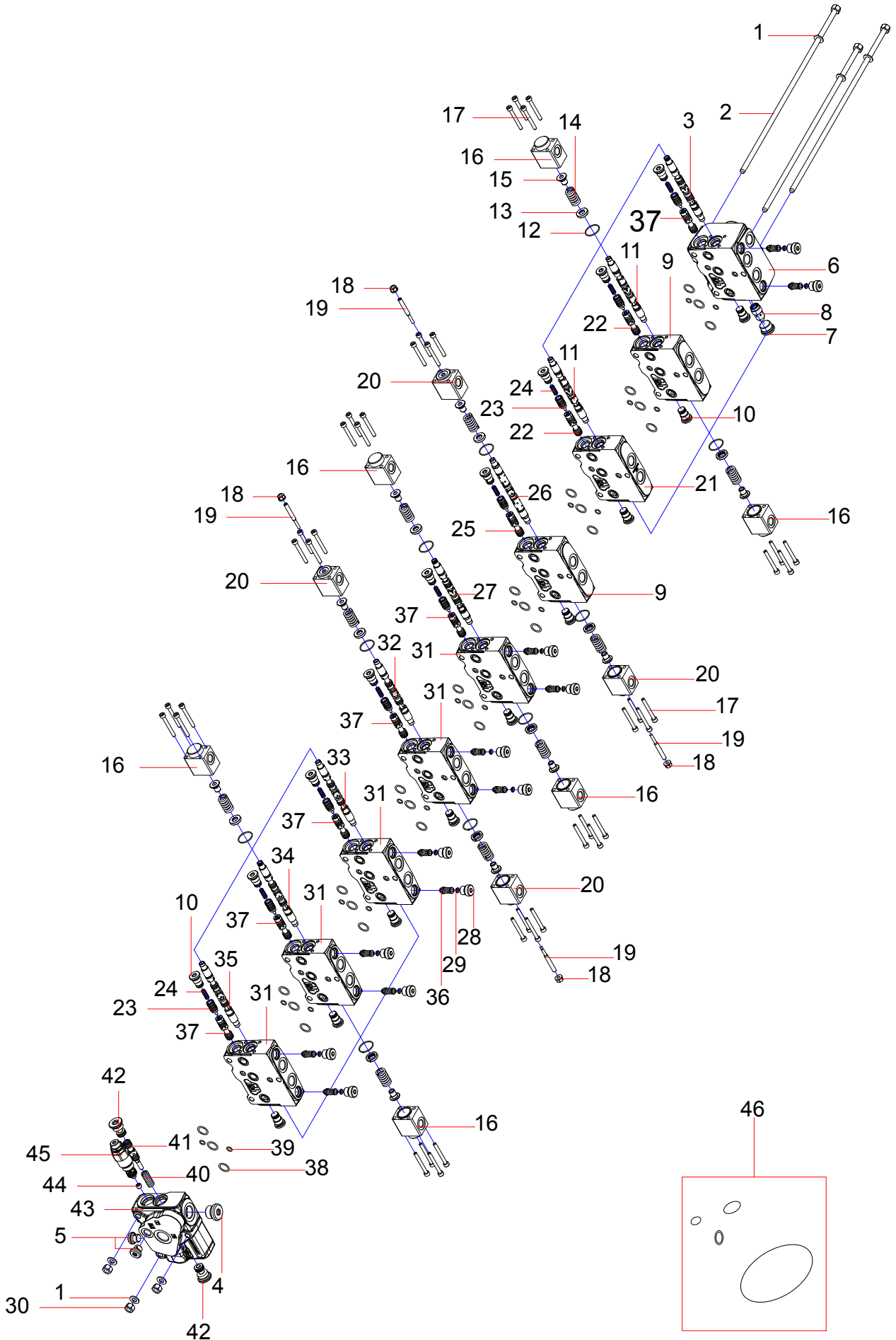
No.	Part No.	Description	Qty	Page number
99	B230103000811	Hose	1	
100	B230103002268	Hose	1	
101	A210804000002	Adaptor, Grease	2	



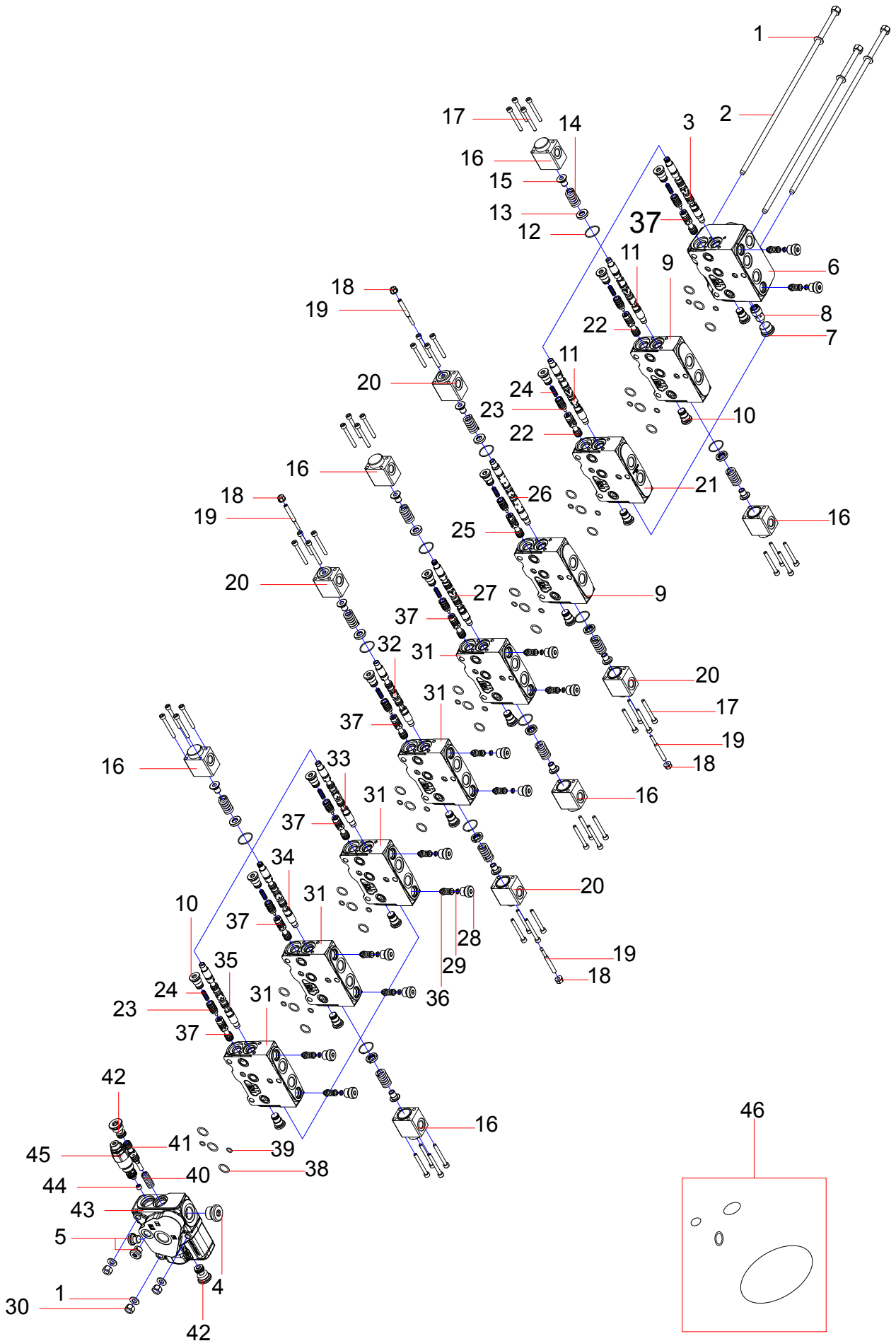
No.	Part No.	Description	Qty	Page number
1	60290332	Connection	1	
2	60290333	Plug	1	
3	21029124	O-ring	1	
4	60290334	Control piston	1	
5	60290335	Spring	1	
6	60290336	Piston cover	1	
7	60290337	O ring	2	
8	60290338	Piston Rod	1	
9	60290339	Control Rod	1	
10	60290340	Nut	1	
11	60290341	Bolt	1	
12	60290342	Valve pocket	1	
13	60290343	Piston	1	
14	A210608000007	O-ring	1	
15	60290344	Spring	1	
16	60290345	Poppet	1	
17	60290346	Plug	2	
18	60290347	Spool	1	
19	60290348	Washer	1	
20	60290349	Spring	1	
21	21000123	O-ring	1	
22	60290350	Plug	1	
23	60290351	Plug	1	
24	60290352	Seal Washer	1	
25	60290353	Spring	1	
26	60290354	Retainer ring	2	
27	B230101000679	O-ring	1	
28	60290355	Spool	1	
29	60290356	Plug	5	
30	60290357	Body	1	



No.	Part No.	Description	Qty	Page number
1	60282454	Plug	1	
2	60282450	Spring	1	
3	60282449	Body	1	
4	60162913	O-Ring	1	
5	60282448	Spool	1	
6	60282453	Armature	1	
7	B230101000241	O-ring	1	
8	60282451	Solenoid coil	1	
9	B230101000638	O-ring	1	
10	60282452	Retainer	1	

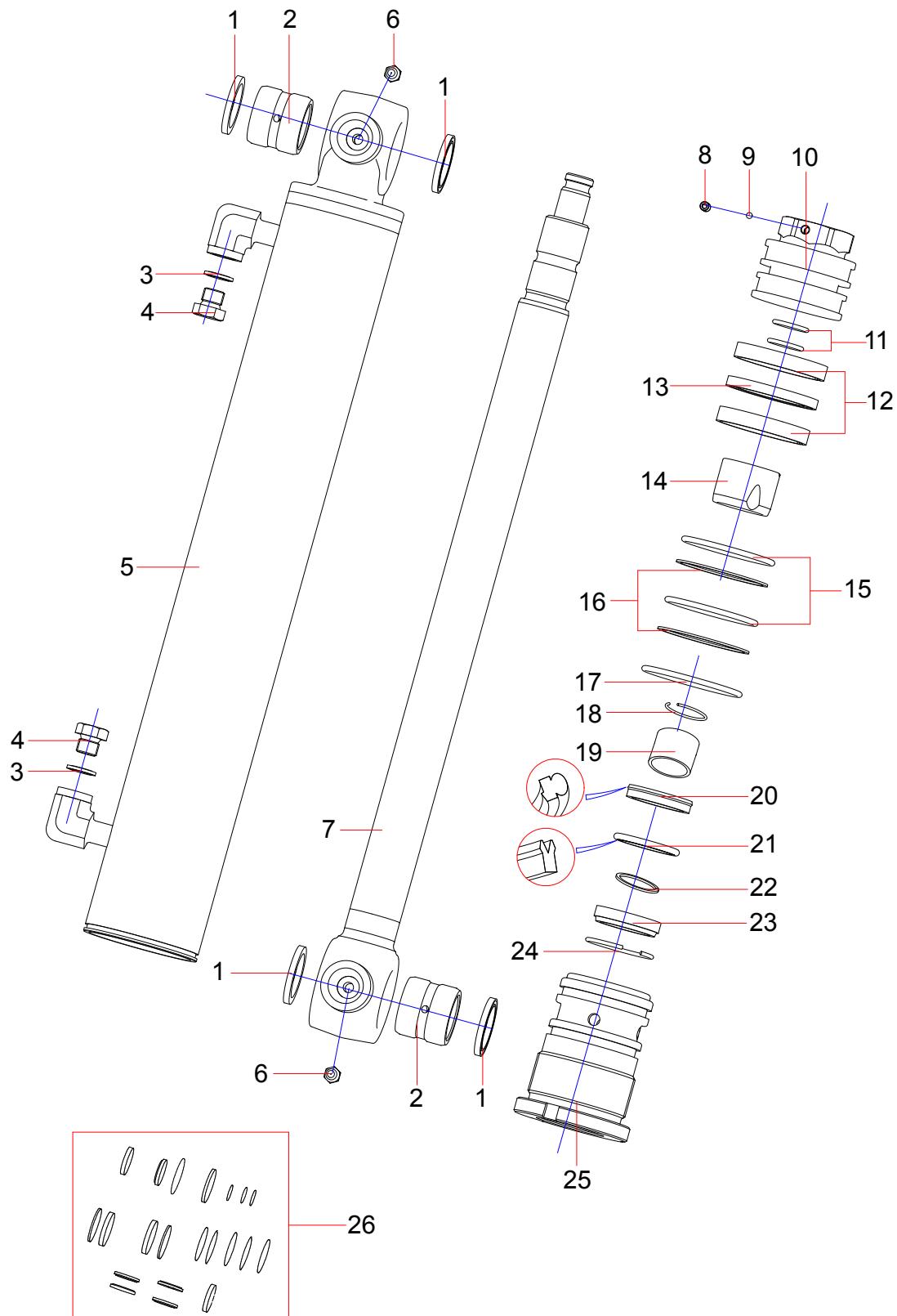


No.	Part No.	Description	Qty	Page number
1	60258223	washer	6	
2	60258216	blot	3	
3	61012264	Spool	1	
4	60242337	screw plug	1	
5	60241985	screw plug	2	
6	60259211	OUTLET SECTION	1	
7	60258228	plug	1	
8	60258222	flush valve	1	
9	60171575	Body of valve	2	
10	60258218	plug	18	
11	61012265	Spool	2	
12	60258226	O ring	18	
13	60171629	Spring seat	18	
14	60258230	spring	18	
15	60171627	Spring seat	18	
16	60171637	Cover	14	
17	A210204000122	Screw	72	
18	60295059	Fixed nut	4	
19	60295058	Limit Screw	4	
20	60171638	Cover	4	
21	60171576	Body of valve	1	
22	60258219	spool	2	
23	60171585	Spool	9	
24	60171616	Spring	9	
25	60258220	spool	1	
26	60305436	Spool	1	
27	61012266	Spool	1	
28	60171635	Plug	12	
29	60258225	Spring	12	
30	60258227	nut	3	
31	60171574	Body of valve	5	
32	60171586	Spool	1	
33	60258233	Spool	1	
34	60305438	Spool	1	
35	60258235	spool	1	
36	60171604	Valve, relief	12	
37	60171594	Spool	6	
38	60259209	O-RING	27	
39	60241989	o-ring	18	
40	60171615	Spring	1	

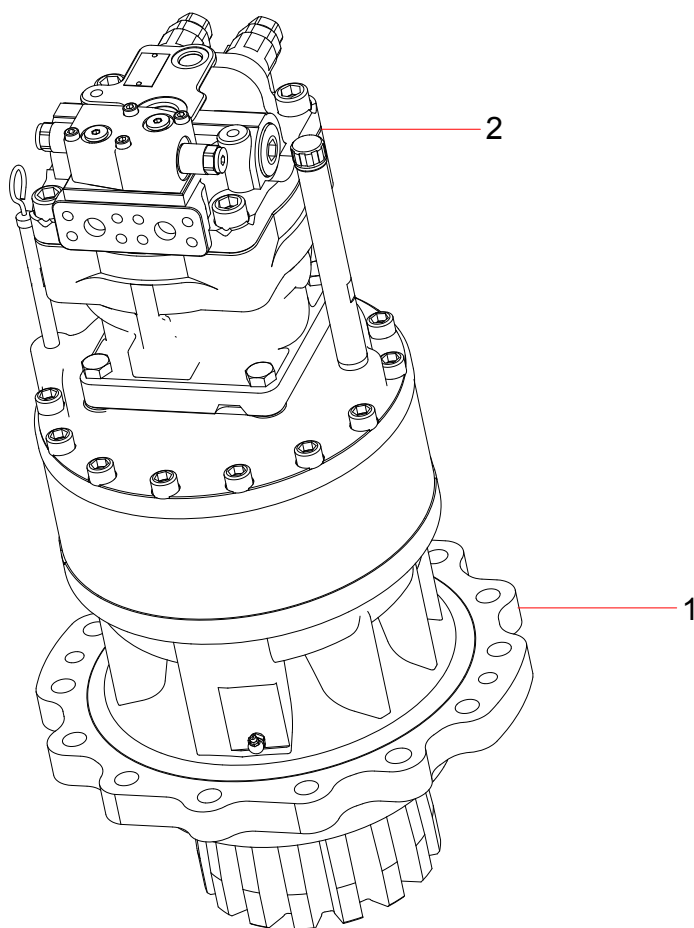
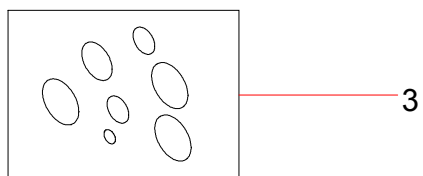




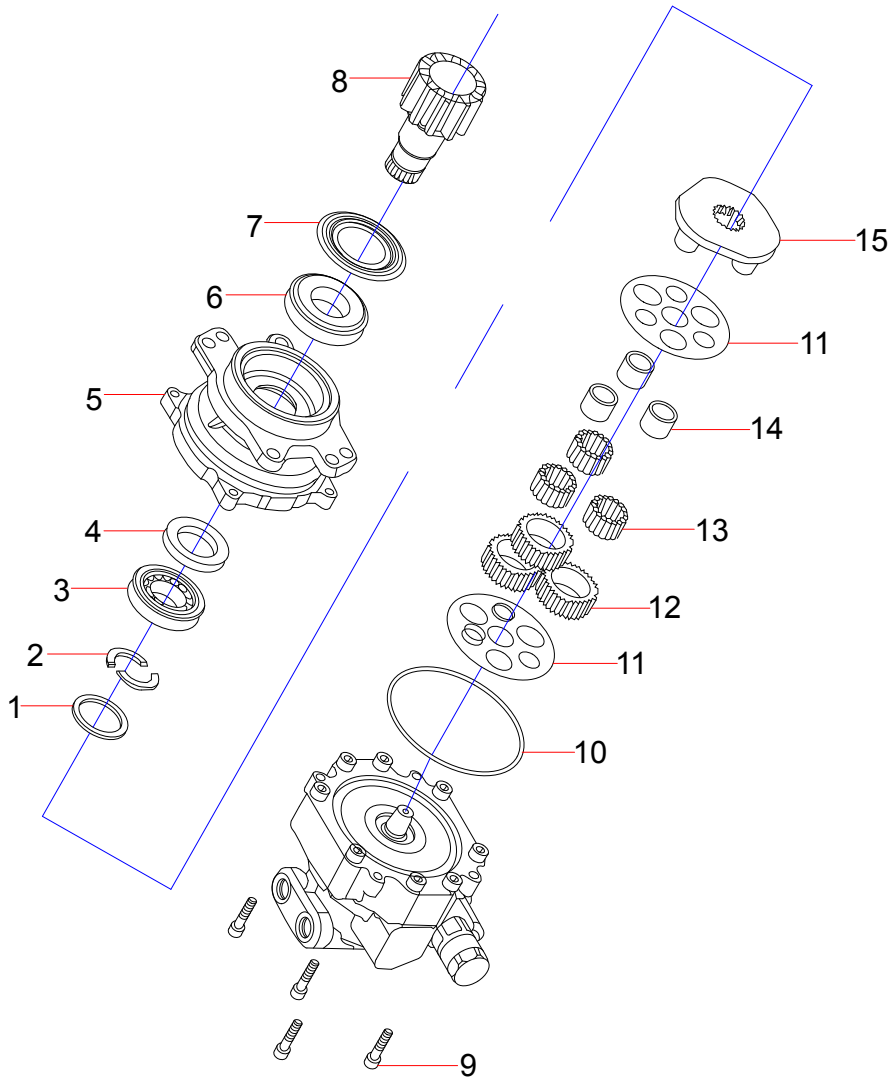
No.	Part No.	Description	Qty	Page number
41	60171596	Spool	1	
42	60258217	plug	2	
43	60171577	Body of valve	1	
44	60258229	plug	1	
45	60258240	relief valve	1	
46	61012267	Multi-port valve repair kit	1	



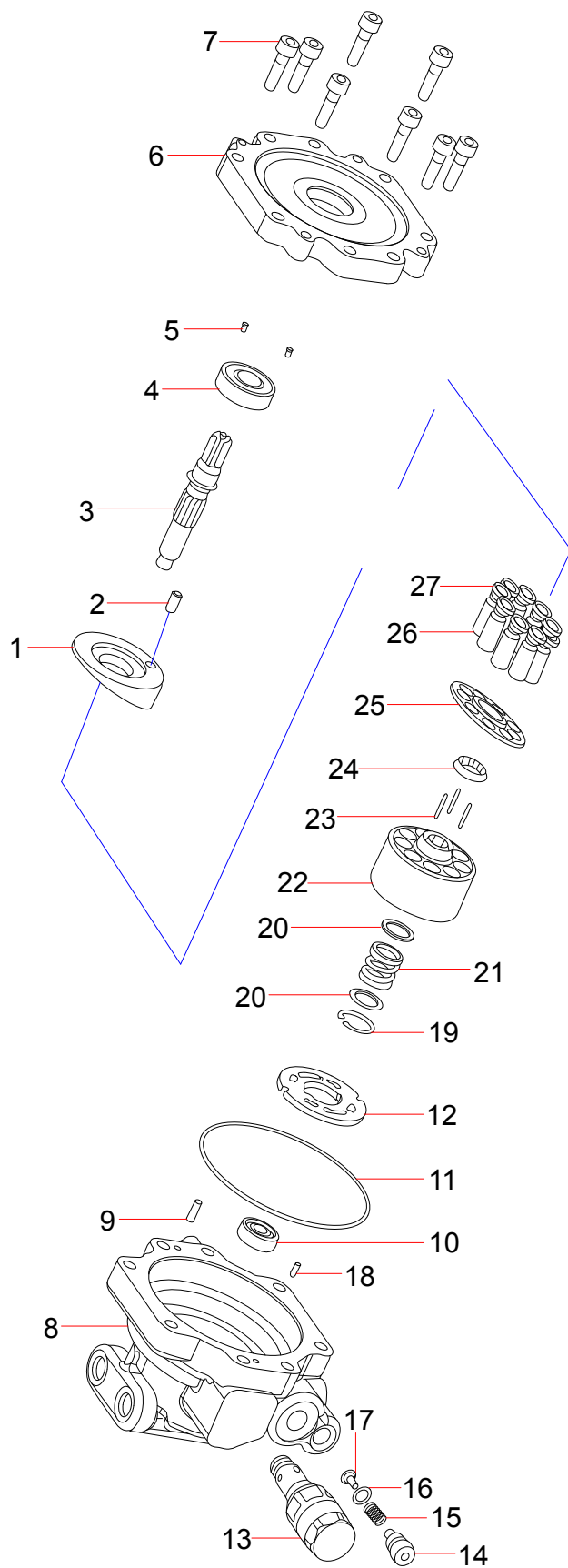
No.	Part No.	Description	Qty	Page number
1	60022526	Dust ring	4	
2	11715474	Bush	1	
3	A210434000007	Washer	2	
4	12355722	Plug, Threaded	2	
5	13021419	Cylinder Assem.	1	
6	A210804000001	Fitting, Grease	2	
7	13388482	Piston Rod	1	
8	A880801010041	Screw	1	
9	A210661000016	Steel Ball	1	
10	14001515	Piston	1	
11	A210609000103	O-ring	2	
12	A880803040003	Ring, Wear	2	
13	60350056	Seal Ring	1	
14	11718941	Bumper Sleeve	1	
15	A210609000164	O-ring	2	
16	24004188	Ring, Retainer	2	
17	A210609000168	O-ring	1	
18	60023919	Retainer ring	1	
19	60350058	Sliding Bearing	1	
20	B230101000944	Seal ring	1	
21	60350052	Seal Ring	1	
22	60184611	Guide ring	1	
23	60184717	Dust Ring	1	
24	60350119	Circlip	1	
25	14001514	Guide Sleeve	1	
26	60266035	Oil Cylinder Repair Kit	1	



No.	Part No.	Description	Qty	Page number
1	60185147	Reduction Gear	1	6-112
2	60185146	Plunger Motor	1	6-114
3	60265428	Reducer assembly Repair kit	1	

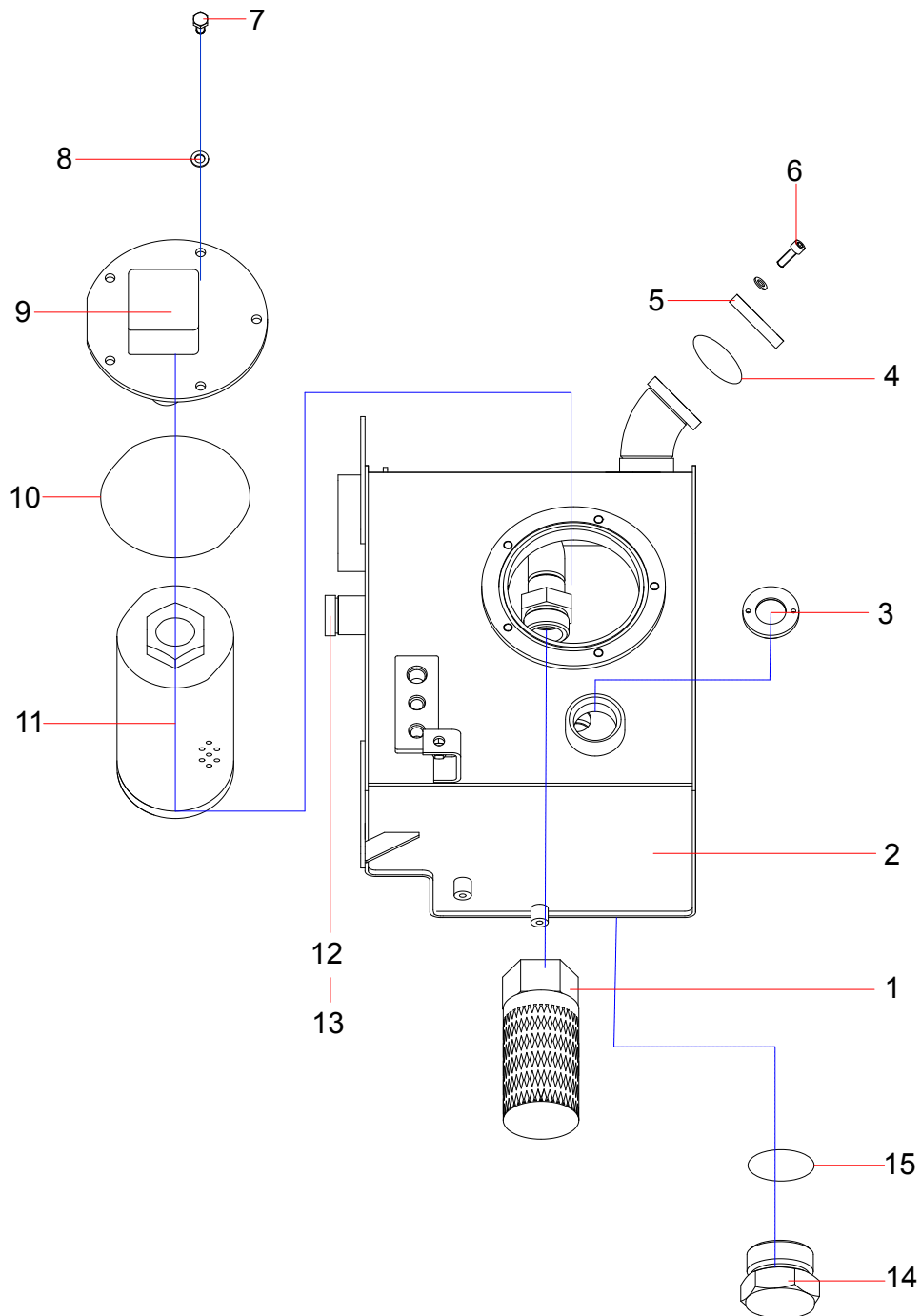


No.	Part No.	Description	Qty	Page number
1	10680534	Block circle	1	
2	60171561	Clamp ring	2	
3	B221500000300	Bearing	1	
4	60171563	Seal oil	1	
5	60171649	Housing	1	
6	B221500000299	Bearing	1	
7	10343327	Ring, seal	1	
8	60171612	Pinion Shaft	1	
9	60068691	screw	4	
10	23990449	Carter seal O-ring	1	
11	60171566	Thrust plate	2	
12	60171611	Gear	3	
13	60171559	Needle	54	
14	60171610	Bearing bushing	3	
15	60171564	Carrier	1	

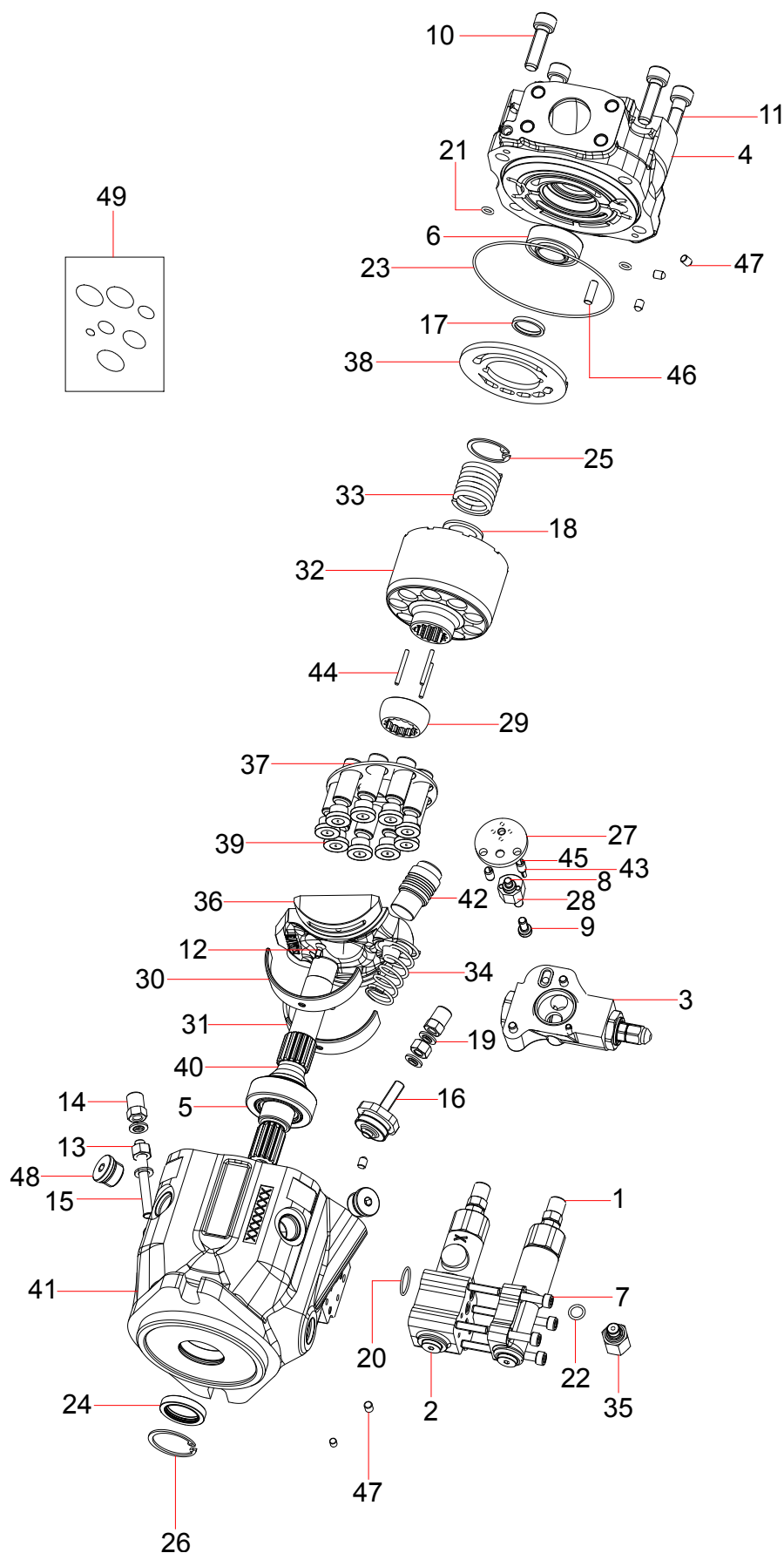




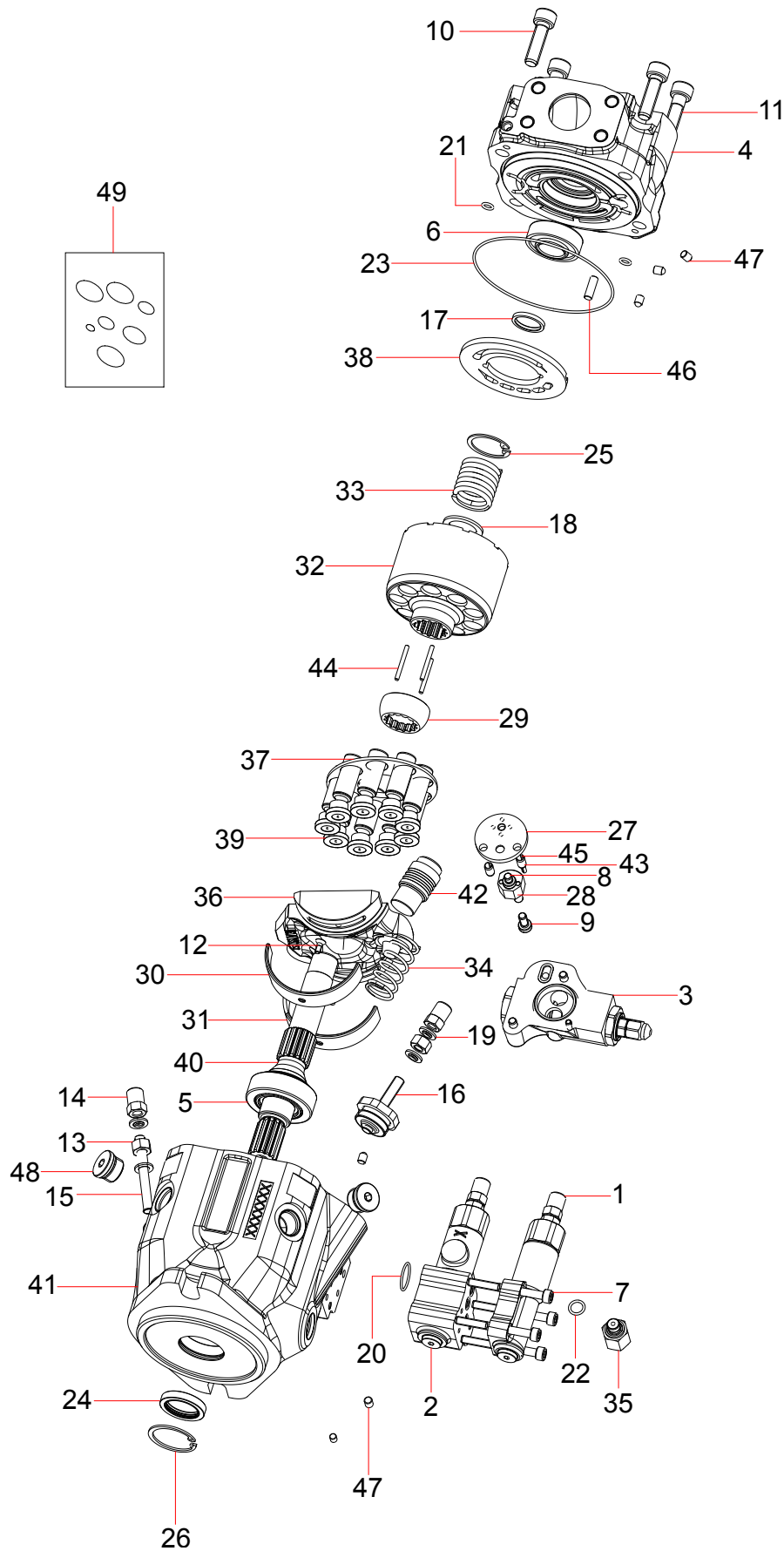
No.	Part No.	Description	Qty	Page number
1	60171680	Swashplate	1	
2	60078066	Pin	1	
3	60171670	Shaft	1	
4	60037205	idler Bearing	1	
5	60164220	FILTER	2	
6	60171566	Thrust plate	1	
7	A210208000025	Screw	8	
8	60171657	Body-Valve	1	
9	23002615	shaft	1	
10	A210601000003	Rolling bearing	1	
11	A210608000020	O-ring	1	
12	60171665	Port plate	1	
13	60171606	Relief valve	2	
14	60171636	Plug	2	
15	A210616000014	Spring YA1.2×6×22GB2089-94	2	
16	60164379	O RING	2	
17	60171571	Check valve	2	
18	60171625	Spring Pin	1	
19	A210414000114	Retainer Ring	1	
20	60171630	Retaining ring	2	
21	60171024	spring	1	
22	60171642	Cylinder body	1	
23	60171678	Pin	3	
24	60171646	Splined Sleeve	1	
25	60171547	Plate	1	
26	60171685	Piston	9	
27	60171560	Shoe	9	



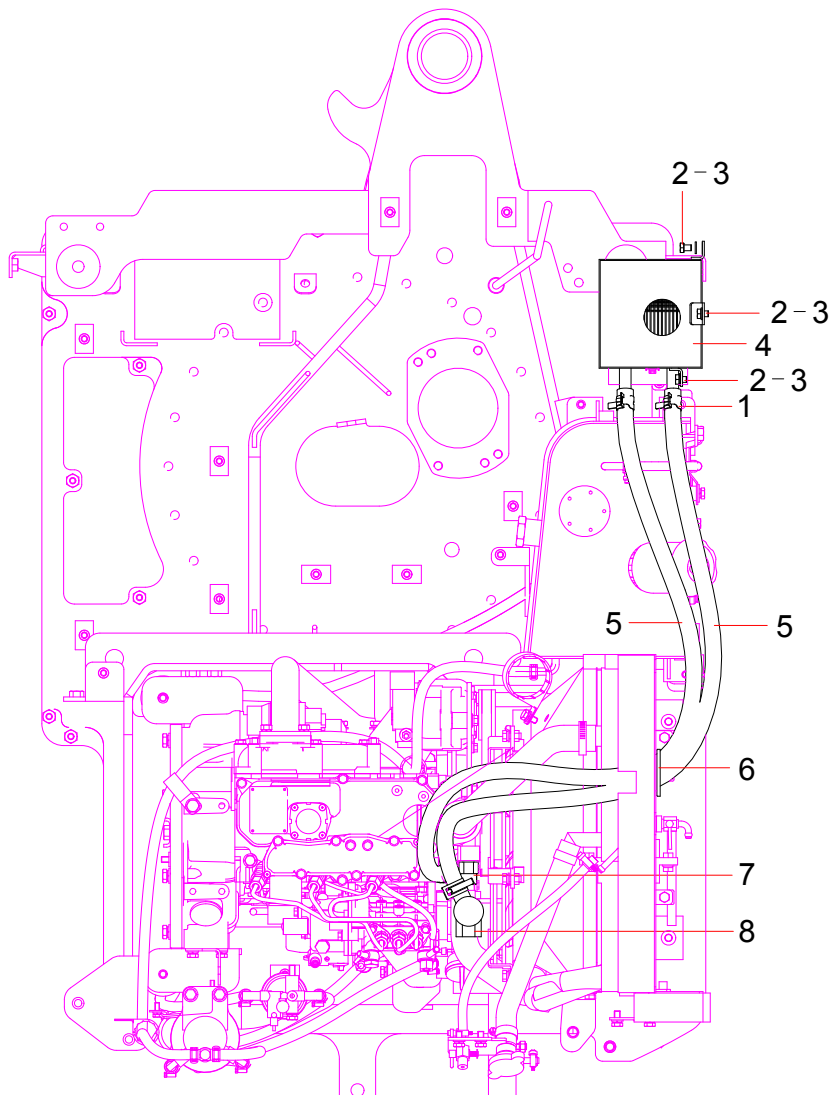
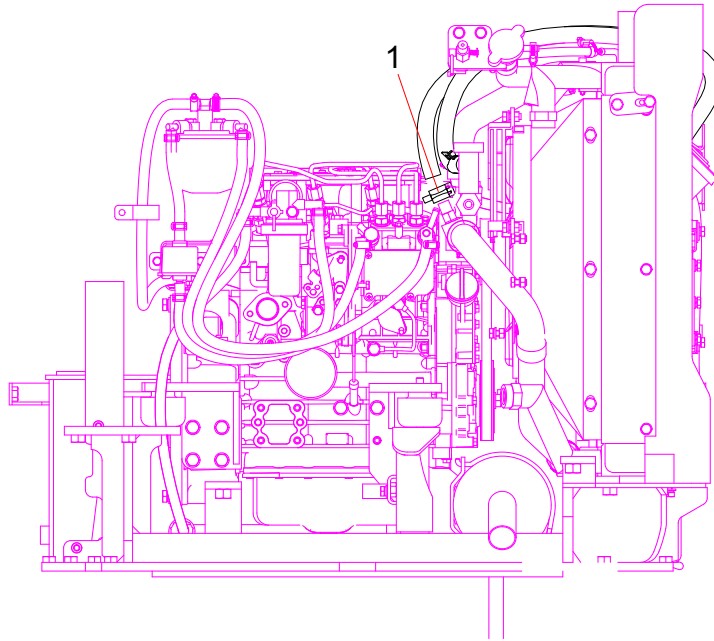
No.	Part No.	Description	Qty	Page number
1	A222100000366	Oil suction filter	1	
2	14272548	oil tank	1	
3	60240021	Oil sign	1	
4	B230101000444	O-Ring-44.7	1	
5	12979144	flang	1	
6	A210111000343	Bolt	2	
7	A210111000342	Bolt	5	
8	24000633	Washer	7	
9	12977018	Oil return cover	1	
10	B230101000614	O-ring	1	
11	60235351	Oil Return Filter	1	
12	A820205002539	Blockhead	1	
13	B230101000090	O-Ring	1	
14	10514225	Screw plug	1	
15	B230101000356	O-ring	1	



No.	Part No.	Description	Qty	Page number
1	60258165	pressure compensation	1	
2	60249497	FLOW COMPENSATOR MVP LS2	1	
3	60249498	TORQUE LIMITER PUMP MVP	1	
4	60258189	cover	1	
5	60247539	ROLLER_BEARING	1	
6	60258166	bearing	1	
7	60249213	SCREW	4	
8	60258167	screw	1	
9	60258168	screw	1	
10	A210204000212	Screw	2	
11	B210299000001	Screw m10×40din912grade 12.9	4	
12	60247545	SCREW TCEI	2	
13	60247546	NUT	2	
14	60247547	NUT	4	
15	60247548	SCREW TCEI	1	
16	60247549	SCREW TCEI	1	
17	60258169	washer	1	
18	60171643	Shoulder Washer Cylinder Block	1	
19	60247552	SCREW	4	
20	60258170	O ring	1	
21	60247553	o-ring	2	
22	60249507	O-RING SEAL OR 2037 70GRA SH.A	1	
23	60258171	O ring	1	
24	60258172	Seal	1	
25	60258173	snap ring	1	
26	60258174	snap ring	1	
27	60171666	Drive Torque Limiter	1	
28	60258175	torque limiter	1	
29	60258176	splined ring	1	
30	60258177	swash plate support	1	
31	60258178	swash plate support	2	
32	60258179	cylinder block	1	
33	60171623	Spring	1	
34	60258180	spring	1	
35	60171650	Joint	1	
36	60258181	swash plate	1	
37	60258182	guide plate	1	
38	60258183	valve plate	1	
39	60171648	Piston GP	1	
40	60258184	shaft	1	



No.	Part No.	Description	Qty	Page number
41	60258185	body	1	
42	60258186	piston	1	
43	60247574	DOWEL PIN ELASTIC	1	
44	60258187	pin	3	
45	60247576	DOWEL PIN ELASTIC	2	
46	60247577	DOWEL PIN ELASTIC	1	
47	60171632	Plug	9	
48	60258188	plug	3	
49	60265430	pump Repairing kit	1	



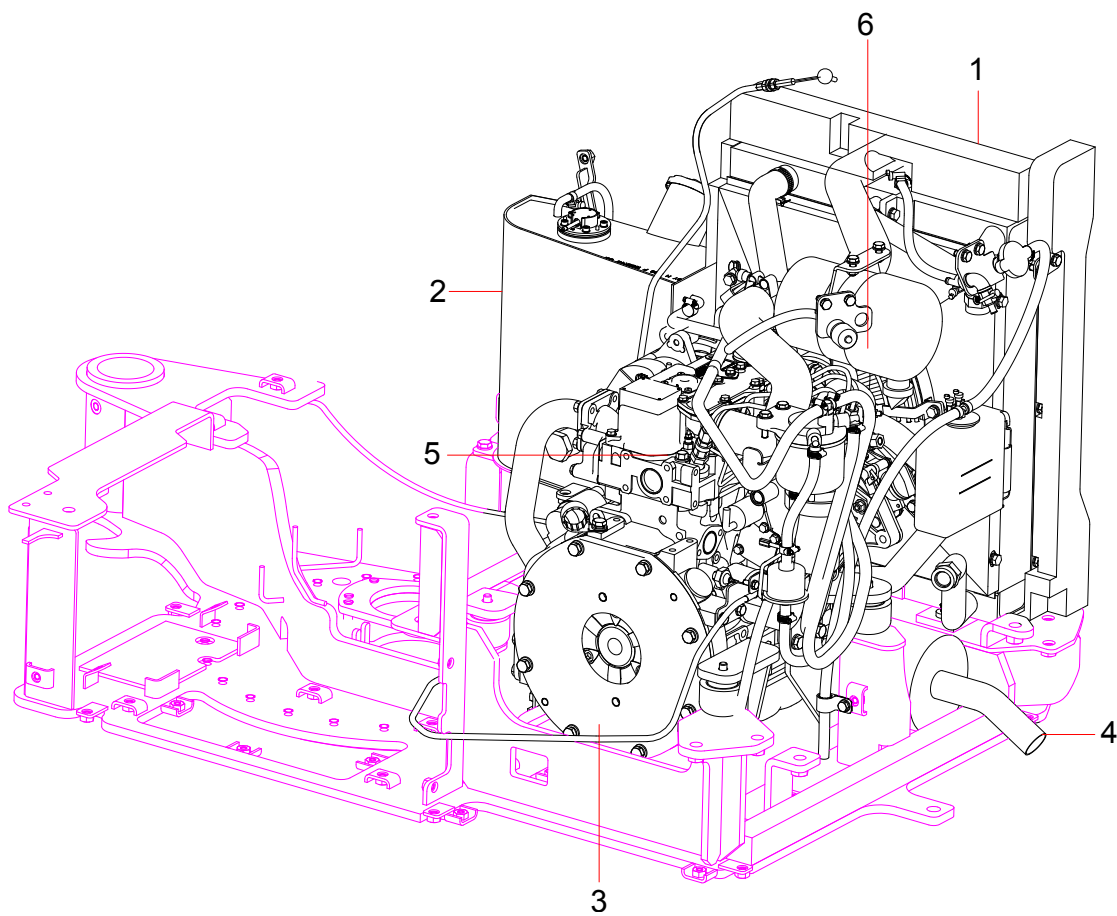


No.	Part No.	Description	Qty	Page number
1	60166393	Split flow gear pump	4	
2	A210111000240	Bolt	4	
3	24000633	Washer	4	
4	60312888	heater assembly SY16	1	
5	13763910	water pipe	2	
6	13036166	Protective sleeve	1	
7	13699569	transitional joint	1	
8	13699488	three-way joint	1	

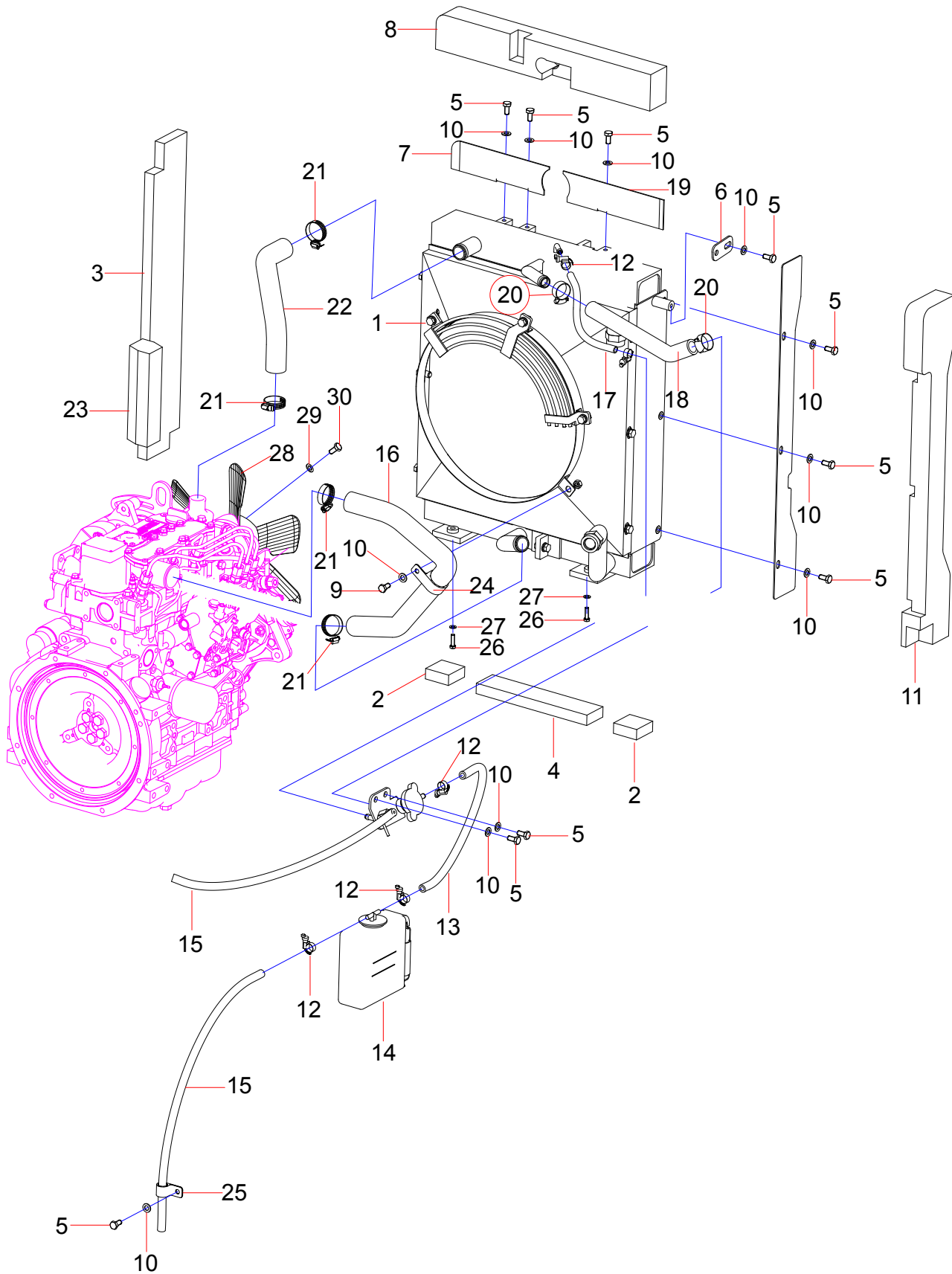
BLANK PAGE

# Group 7

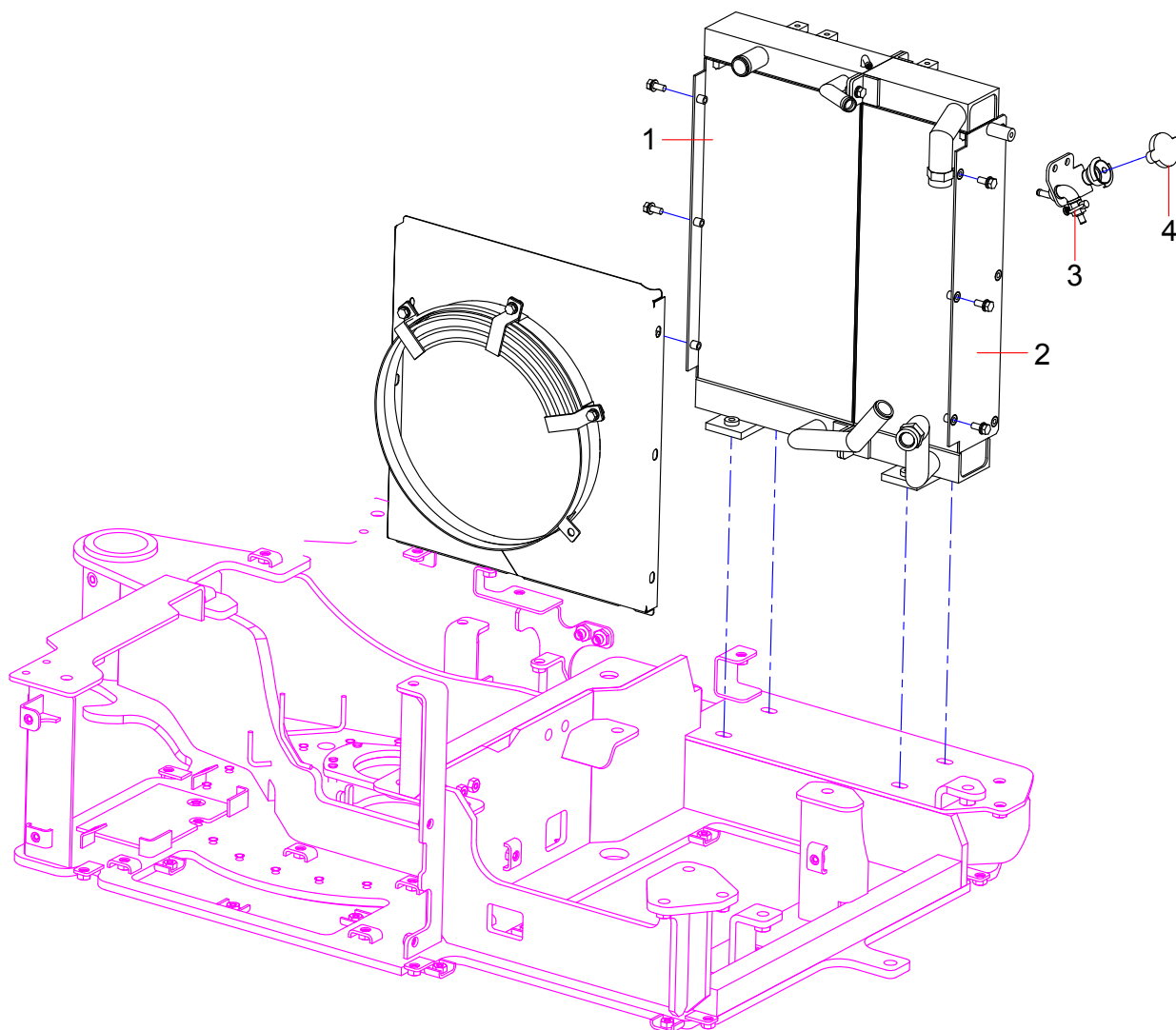
## power system



No.	Part No.	Description	Qty	Page number
1	14521694	cool system	1	7-4
2	14521042	fuel system	1	7-8
3	13014703	Transmission & shock mitigation system	1	7-12
4	14521034	exhaust system	1	7-14
5	61020117	engine3TNV80F-SPSK 14.6kW stageV YANMAR	1	
6	14521037	intake system	1	7-16

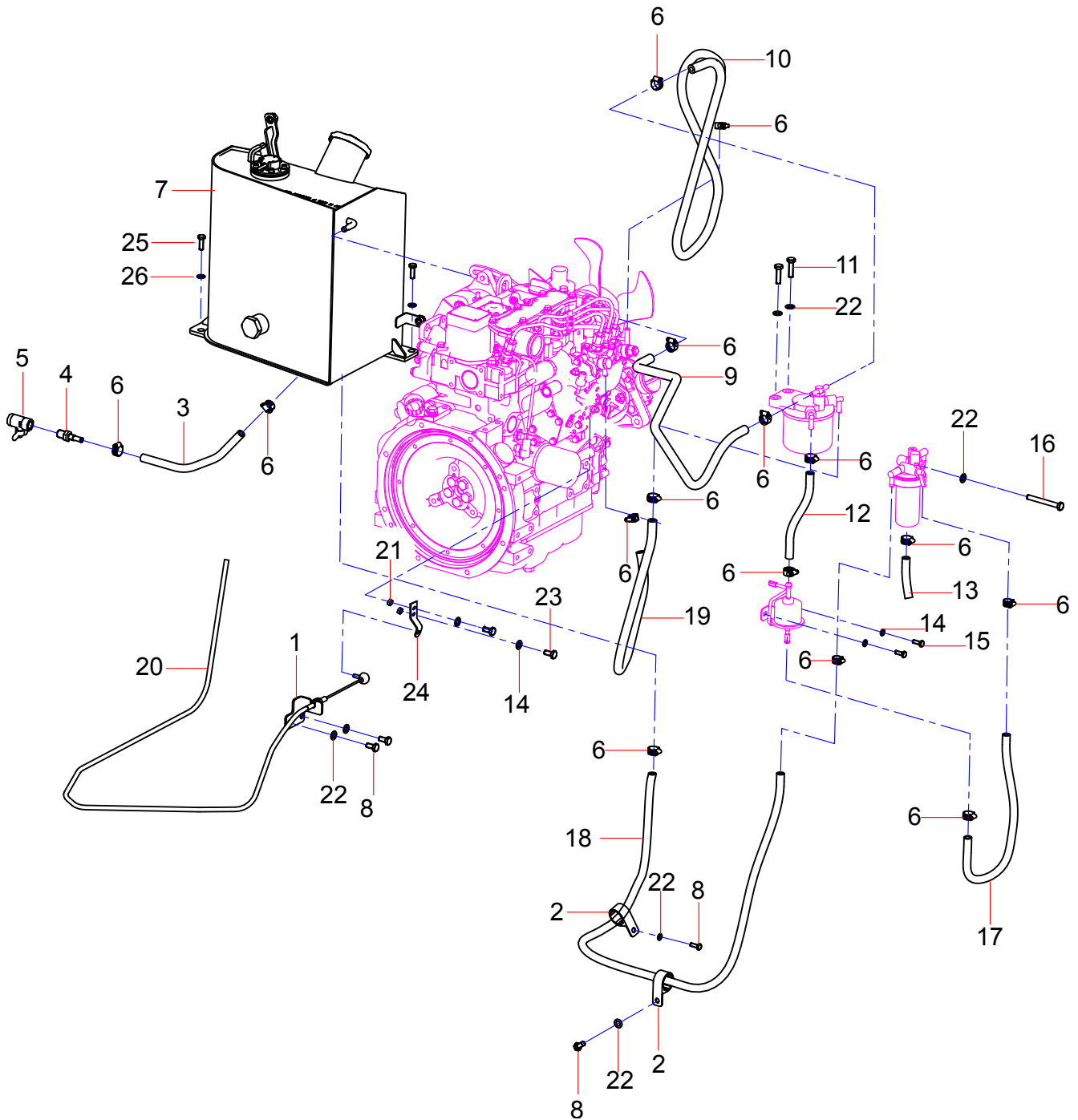


No.	Part No.	Description	Qty	Page number
1	61031809	Radiator	1	7-6
2	13106217	sealing sponge	2	
3	12999700	sealing sponge	1	
4	13106228	sealing sponge	1	
5	A210111000342	Bolt	15	
6	13106220	Plate	1	
7	14521290	up seal plate	1	
8	14521291	sealing sponge	1	
9	A210307000055	Nut	1	
10	24000633	Washer	15	
11	14279713	sealing sponge	1	
12	60202895	CLAMP	6	
13	13106223	recruit water pipe	1	
14	60115933	Liquid Reserve Tank	1	
15	13106224	linking air pipe	2	
16	14278820	sewer tube	1	
17	13204397	linking pipe	1	
18	14279427	watering pipe	1	
19	14280148	connect plate	1	
20	60338984	Hose clamp	2	
21	60338982	Clamp	4	
22	14279343	upper water pipe	1	
23	13106218	sealing sponge	1	
24	60086357	Clamp	1	
25	60086353	Wire Clamp	1	
26	A210111000026	Bolt	4	
27	A210491000120	Washer	4	
28	160802020052A	fan	1	
29	A210405000006	Washer	4	
30	A210204000140	Screw	4	

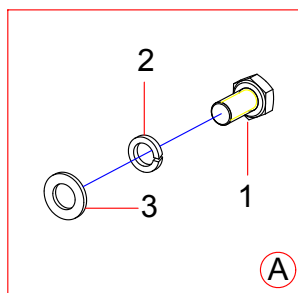
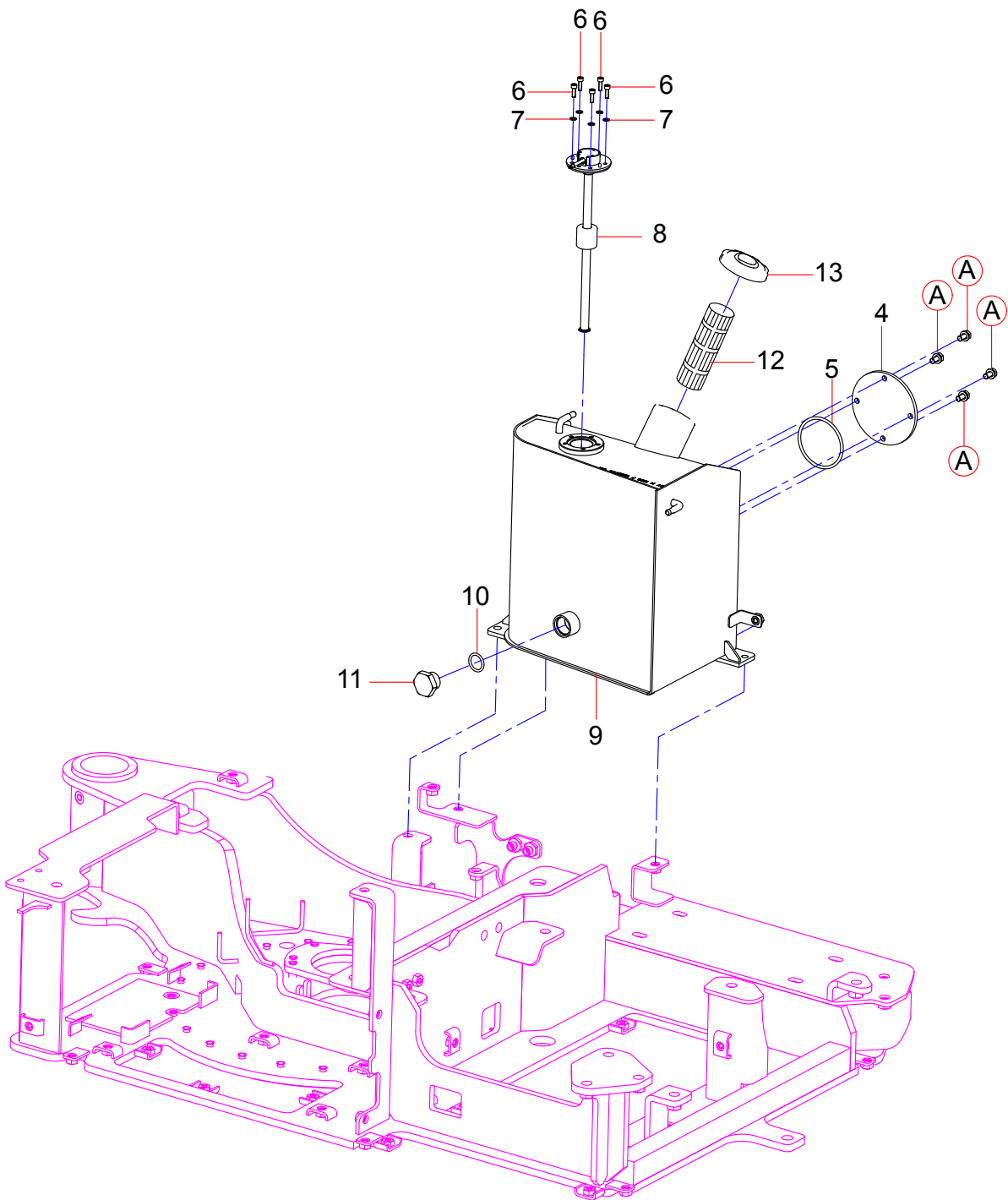




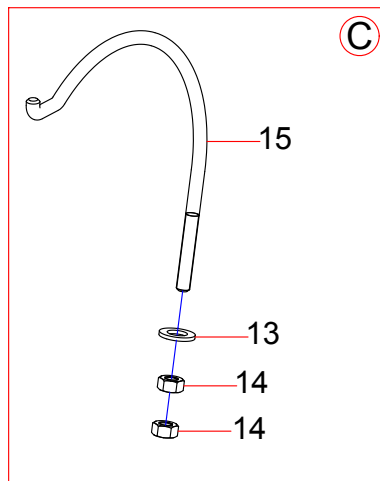
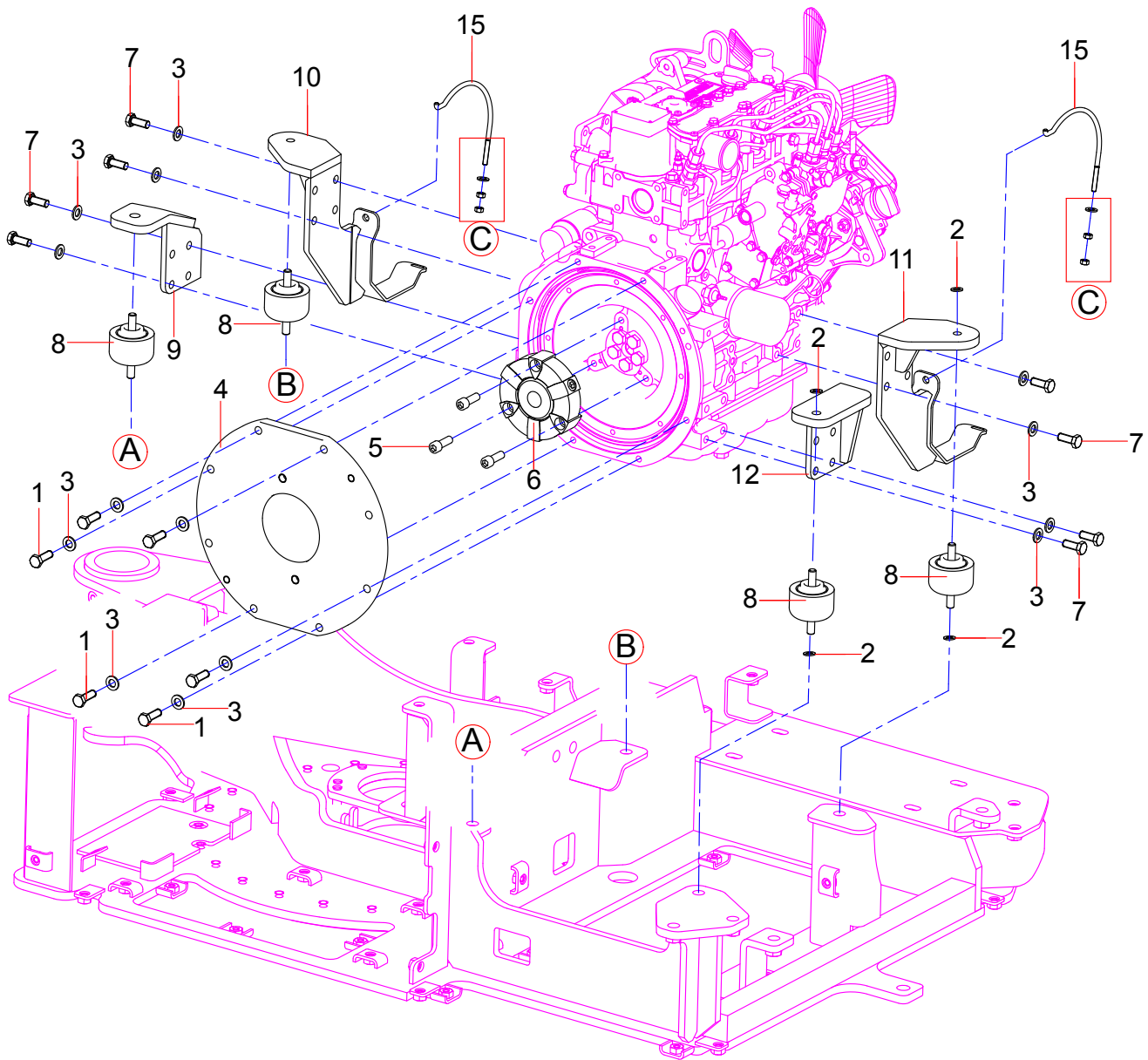
No.	Part No.	Description	Qty	Page number
1	60257621	Coolant radiator	1	
2	60257622	Oil radiator	1	
3	60282647	micro seat	1	
4	60282648	pressure cover	1	



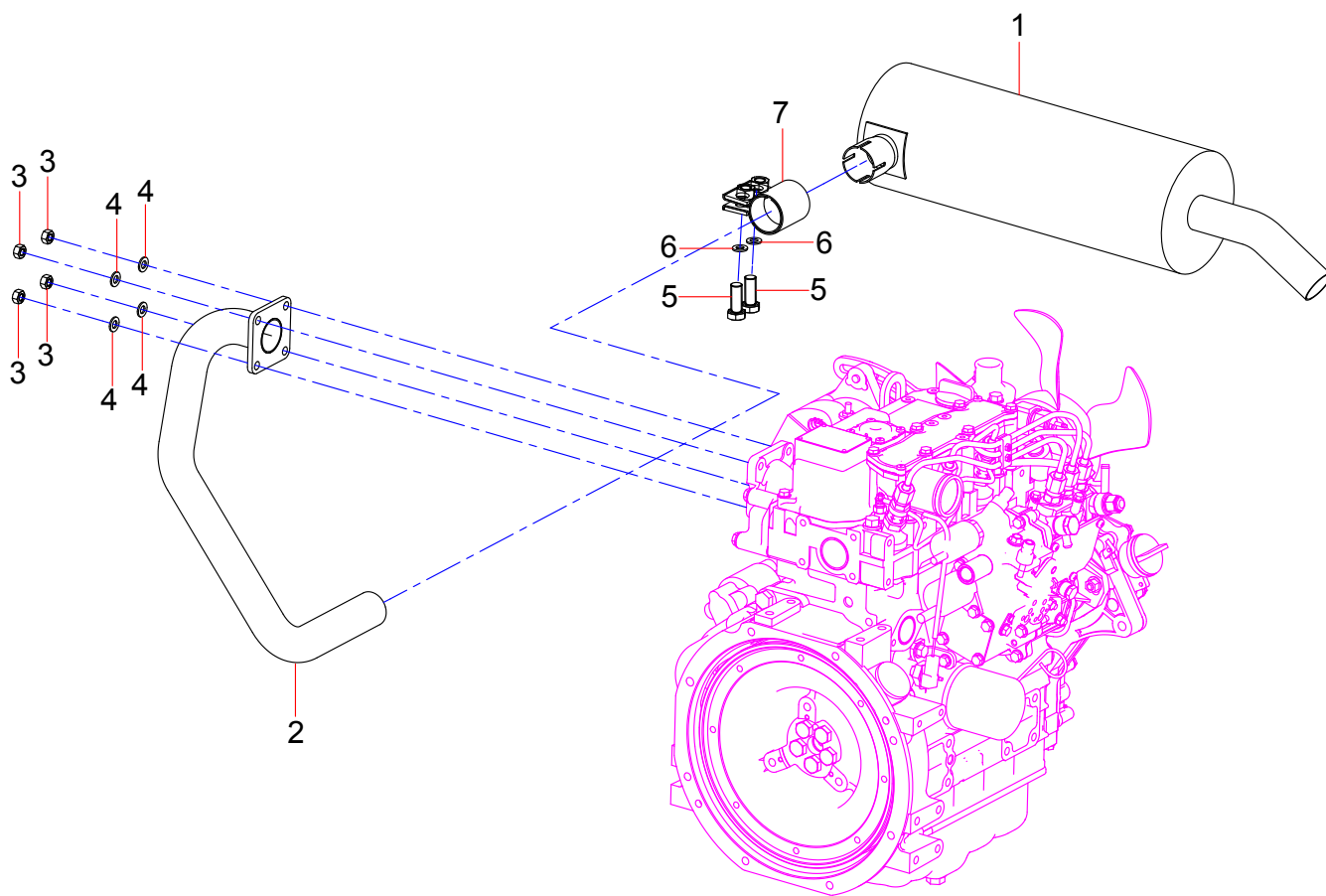
No.	Part No.	Description	Qty	Page number
1	13101499	accelerator support	1	
2	60086354	Clamp	2	
3	13473697	fuel tank drainage tube	1	
4	13055186	water_out_joint	1	
5	A229900000882	Valve	1	
6	A229900001345	Clamp	15	
7	14293595	fuel tank assy	1	7-10
8	A210111000342	Bolt	3	
9	13101498	fuel pipe	1	
10	14279268	fuel pipe	1	
11	A210111000293	Bolt	2	
12	13101502	fuel pipe	1	
13	13303621	filter drainage tube	1	
14	24000632	Washer	4	
15	A210111000079	Bolt	2	
16	A210111000096	Bolt	1	
17	13101501	fuel pipe	1	
18	13101500	fuel pipe	1	
19	13204398	fuel pipe	1	
20	61031627	throttle guy assembly	1	
21	23000169	Nut	2	
22	24000633	Washer	6	
23	A210111000078	Bolt	2	
24	13101496	accelerator rocker	1	
25	A210111000024	Bolt	4	
26	A210491000120	Washer	3	



No.	Part No.	Description	Qty	Page number
1	A210111000088	Bolt	4	
2	A210401000017	Washer	4	
3	A210405000007	Washer	4	
4	13100584	cleaning flange cap	1	
5	A210609000273	O-ring	1	
6	A210204000116	Screw	5	
7	A210405000005	Washer	5	
8	60206742	Level sensor	1	
9	14292672	fuel tank	1	
10	B230101000356	O-ring	1	
11	10514225	Screw plug	1	
12	60304920	cover of fuel tank	1	
13	60304921	filter net	1	

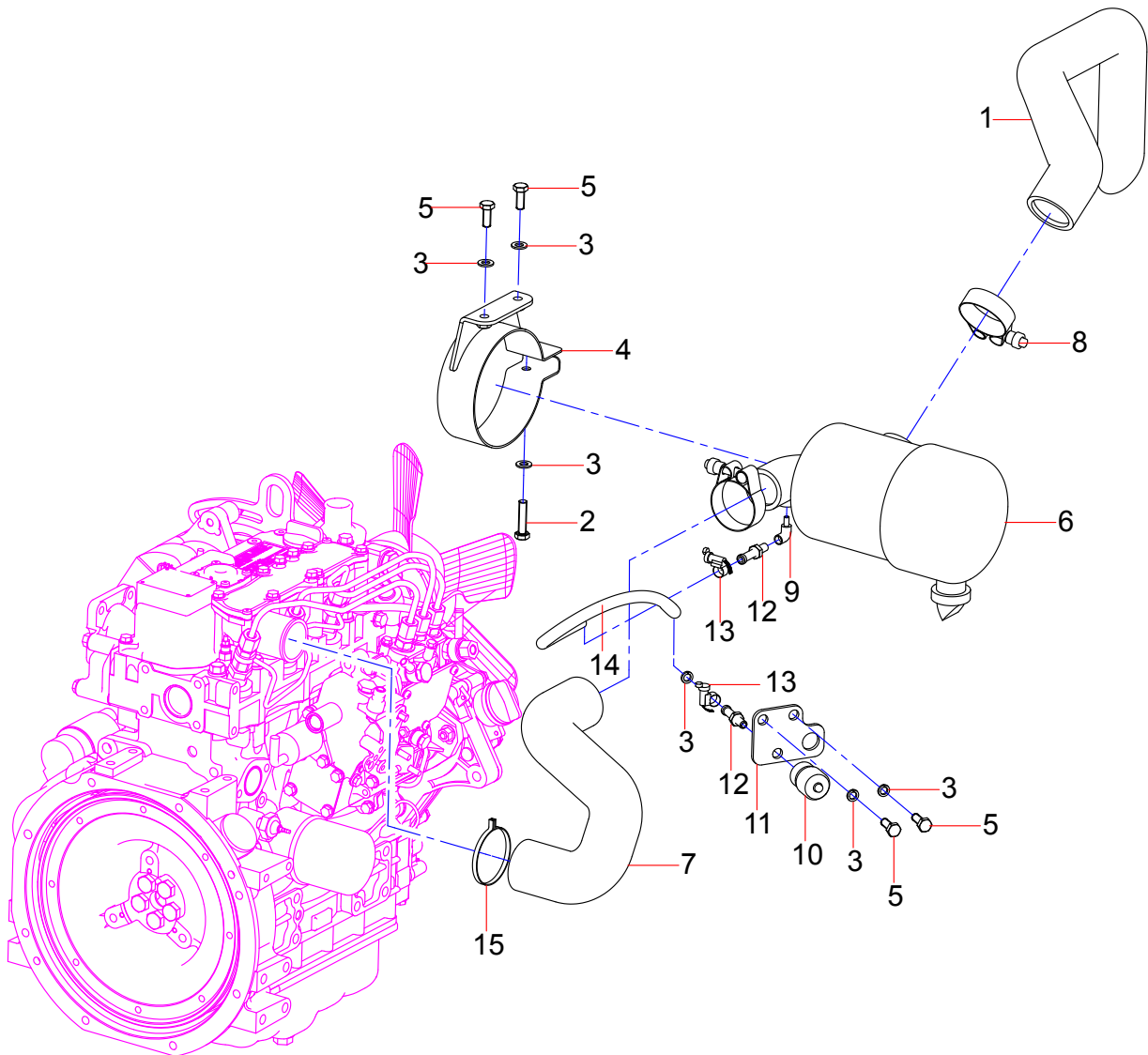


No.	Part No.	Description	Qty	Page number
1	A210111000024	Bolt	8	
2	60060546	Washer	8	
3	A210491000120	Washer	24	
4	13108751	flange	1	
5	A210204000215	Screw	3	
6	60224349	Flanging coupling	1	
7	A210111000197	Bolt	16	
8	60260924	Shock Pad	4	
9	13108766	Front left bearer	1	
10	13108759	Front right bearer	1	
11	13108758	Rear right bearer	1	
12	13108763	Rear left bearer	1	
13	24000632	Washer	2	
14	23000169	Nut	4	
15	13108752	bend column	2	

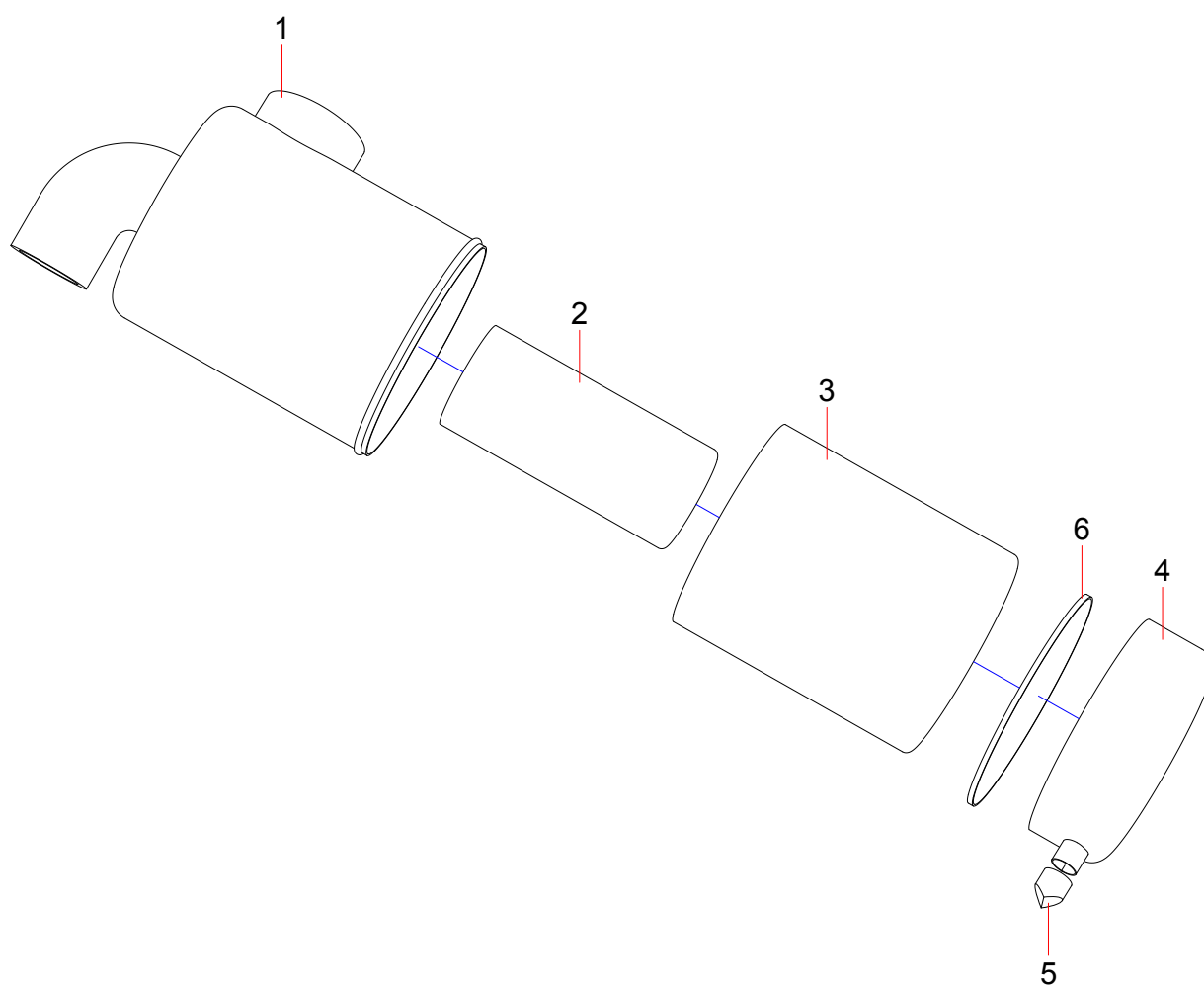




No.	Part No.	Description	Qty	Page number
1	160803000003A	muffler	1	
2	14279316	muffler tube	1	
3	A210307000055	Nut	4	
4	24000633	Washer	4	
5	A210111000202	Bolt	2	
6	A210491000121	Washer	2	
7	13103541	Anchor Ear	1	



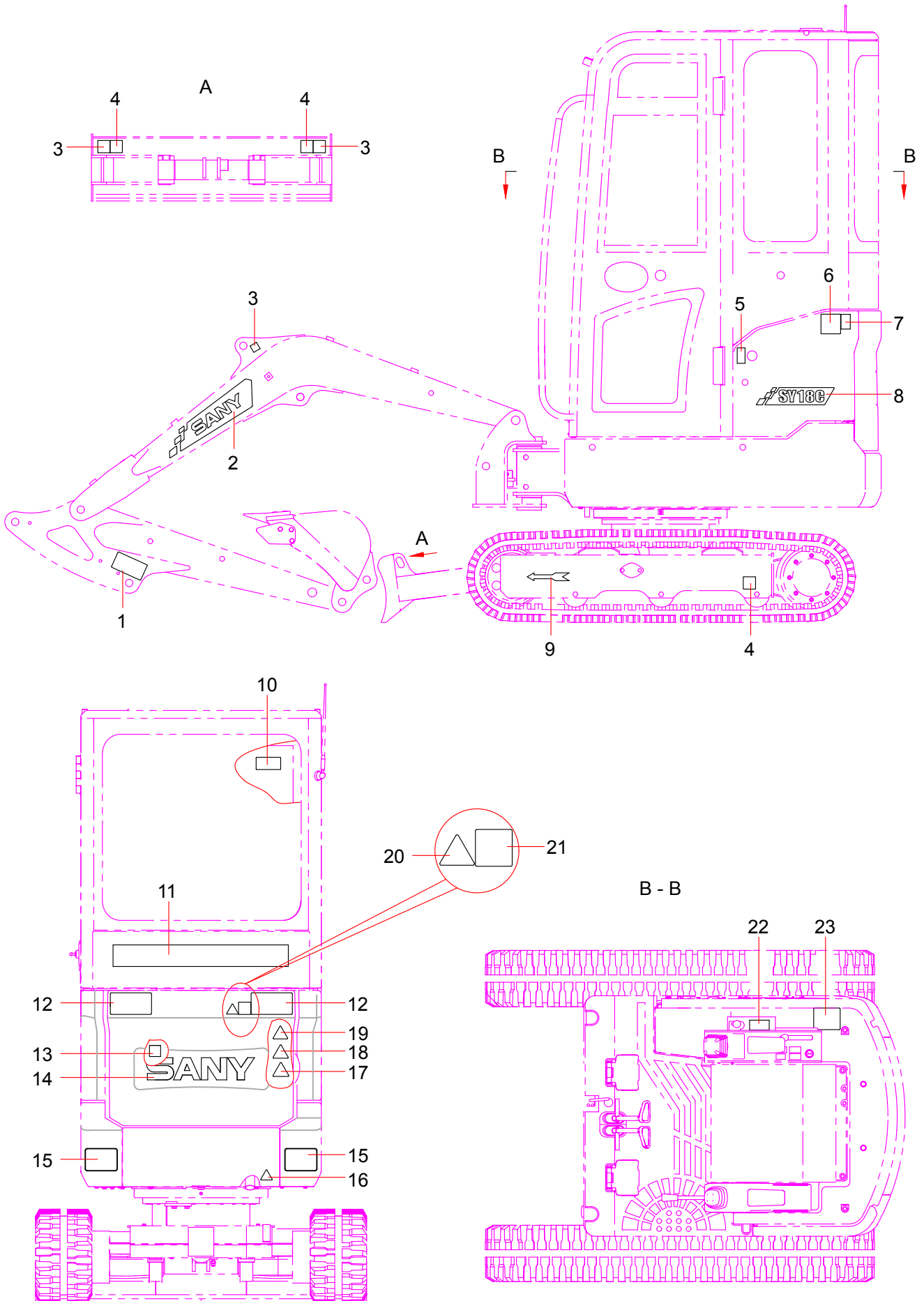
No.	Part No.	Description	Qty	Page number
1	14279465	front air pipe	1	
2	A210111000092	Bolt	1	
3	24000633	Washer	6	
4	14279453	Clamp assembly	1	
5	A210111000343	Bolt	4	
6	60017230	Air Filter Assembly	1	7-18
7	14279468	back air pipe	1	
8	60021999	Clamp, T-bolt	2	
9	60026309	Sensor adaptor of air cleaner	1	
10	60233678	Differential pressure indicator	1	
11	13066237	rigid board	1	
12	13066238	adaptor	2	
13	A229900001345	Clamp	2	
14	13103543	soft pipe	1	
15	A210855000024	Hoop	1	



No.	Part No.	Description	Qty	Page number
1	60257619	body assembly	1	
2	60023848	Safety filter element	1	
3	60023849	Primary filter element	1	
4	60257618	cover assembly	1	
5	60257620	vacuator valve	1	
6	60353700	Sealing sponge	1	

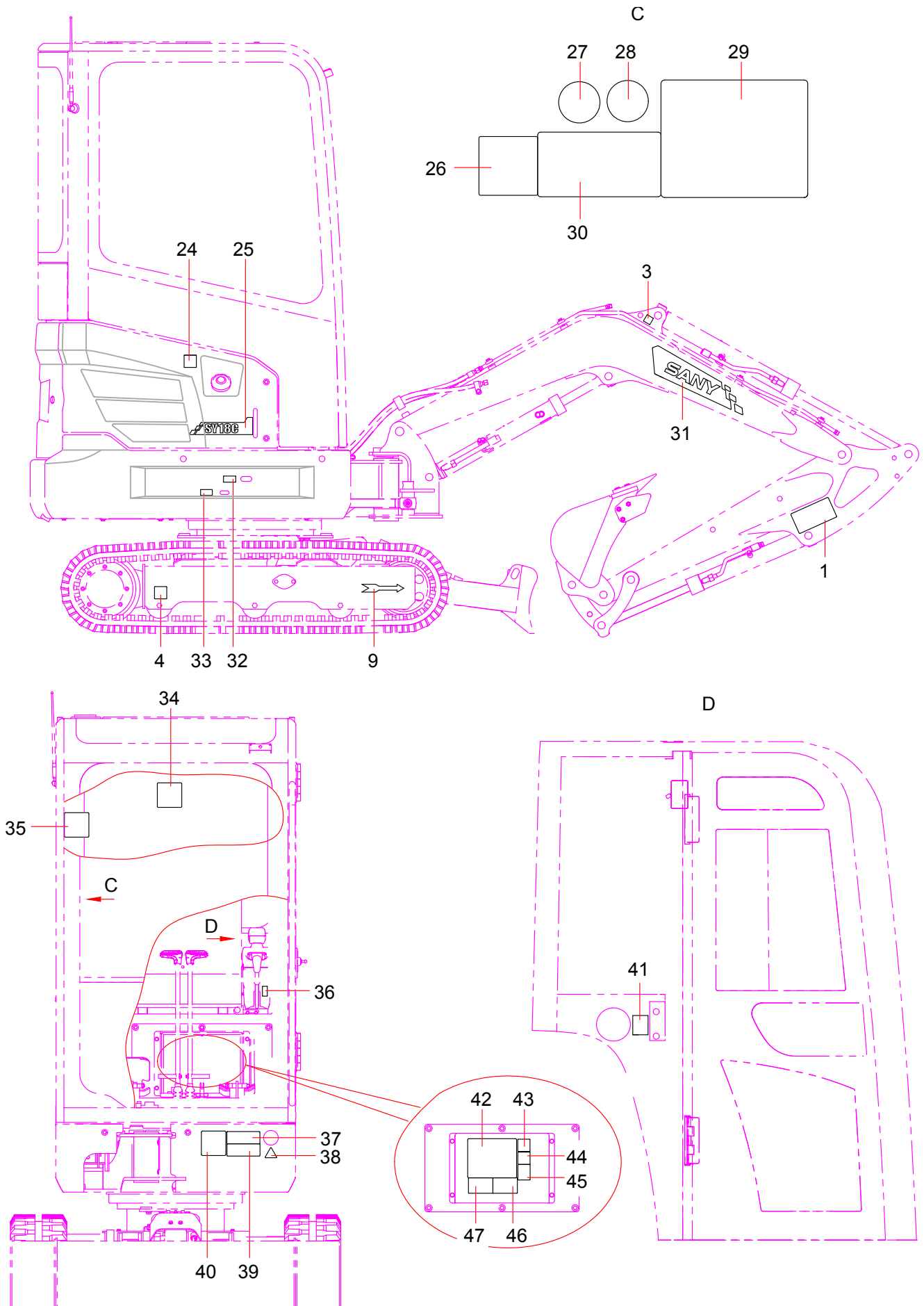
BLANK PAGE

# Group 8 coating





No.	Part No.	Description	Qty	Page number
1	10124614	Caution plate of bucket rod	2	
2	13792522	SY16 left movable arm marking	1	
3	12052087	Mark Diagram of Hook Point	4	
4	13166446	Fixed loading spot mark	4	
5	13156024	Hydraulic oil level mark	1	
6	13340334	Oil level label	1	
7	13272748	Hydraulic oil tank indicative board	1	
8	13910851	SY18 left bodymarking	1	
9	A820603000246	Forward direction indication	2	
10	12052088	Front window lock caution board	1	
11	13738816	cab back marking	1	
12	A820601991049	Counterweight warning board	2	
13	13507568	Oil-water separator drain instruction	1	
14	13094076	Rear hood marking	1	
15	13094087	Counterweight reflective coating	2	
16	13507855	toxic	1	
17	13509503	be care of steam	1	
18	13507822	Counter rotating rollers	1	
19	13507565	Fan warning	1	
20	13507584	High temperature warning	1	
21	13507819	no open flame	1	
22	13234045	Crawler telescopic and bulldozing shovel decal	1	
23	13507780	One way/two way valve	1	

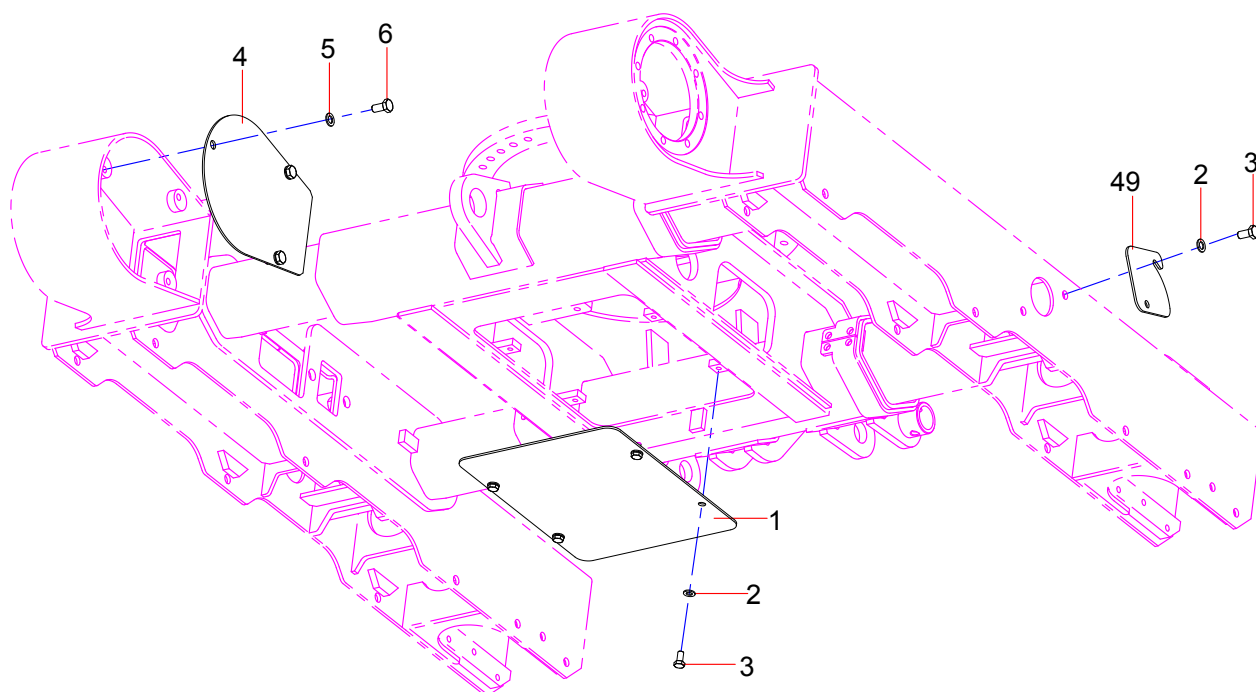


No.	Part No.	Description	Qty	Page number
24	13507742	Fuel tank indicator	1	
25	13910856	SY18 rightt bodymarking	1	
26	14416235	decal	1	
27	13507743	Read manual	1	
28	13507746	Seat safety caution board	1	
29	13838054	Lifting capability meter	1	
30	13507562	Control insturction	1	
31	13792523	SY16 right movable arm marking	1	
32	14377485	Rotary bearing lubrication decal	1	
33	14142123	The deflection cylinder decals	1	
34	13166419	Safety exit lable	1	
35	12033806	Safety sign - "Beware of fire	1	
36	13155987	Leading switch mark	1	
37	13834945	Name Plate	1	
38	13507767	Power sign	1	
39	13834946	Name Plate	1	
40	13146624	Noise marker	1	
41	A820601990927	Decal, unlock	1	
42	13475295	Lubricating graphic chart	1	
43	13504946	Emergency Stop Switch	1	
44	13166740	Accumulator decal	1	
45	14412719	Lifting Mark	1	
46	13156069	Foot pedal mark	1	
47	14373381	FOPS& TOPS Card	1	

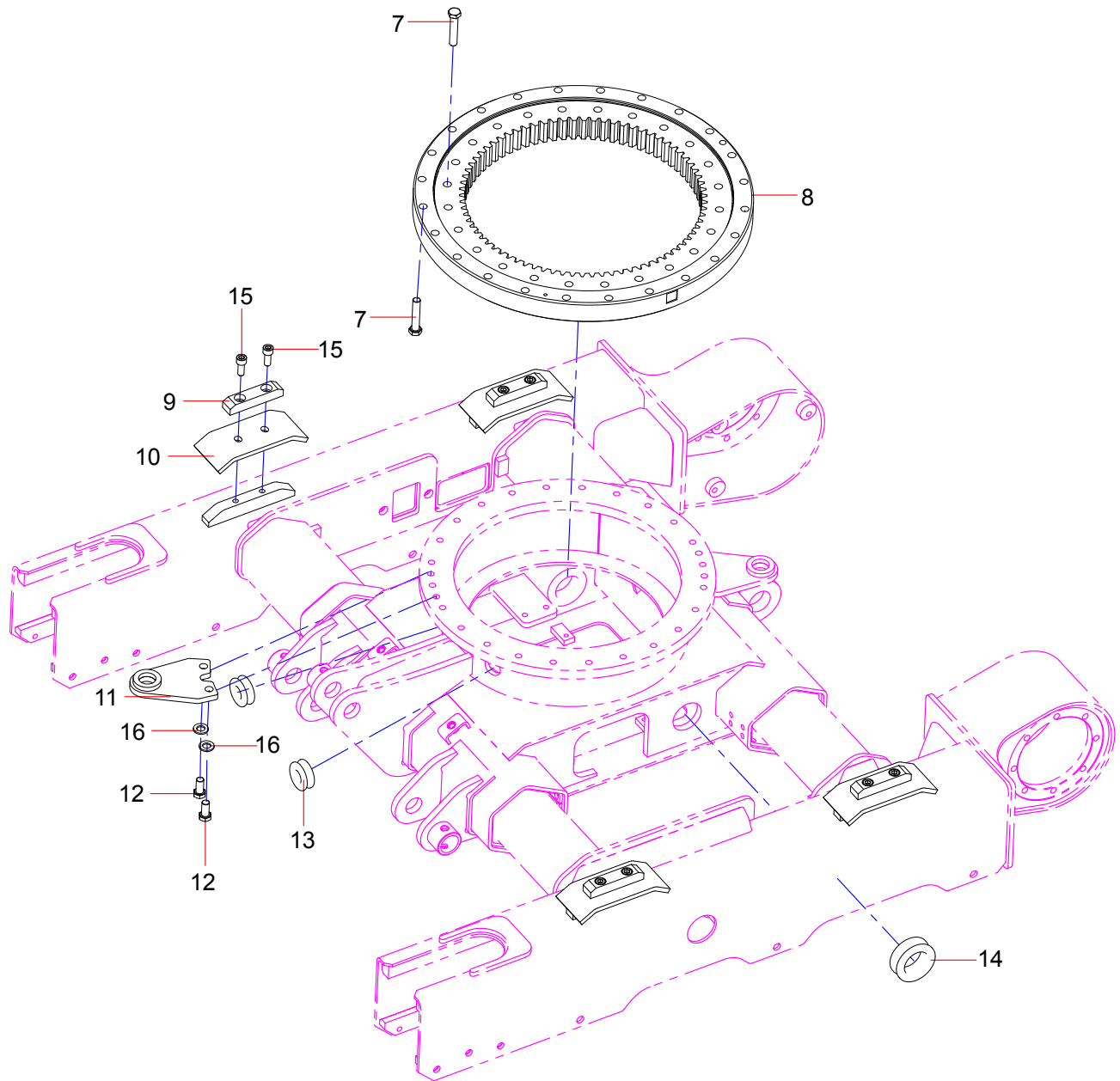
BLANK PAGE

# Group 9

## Travel Device

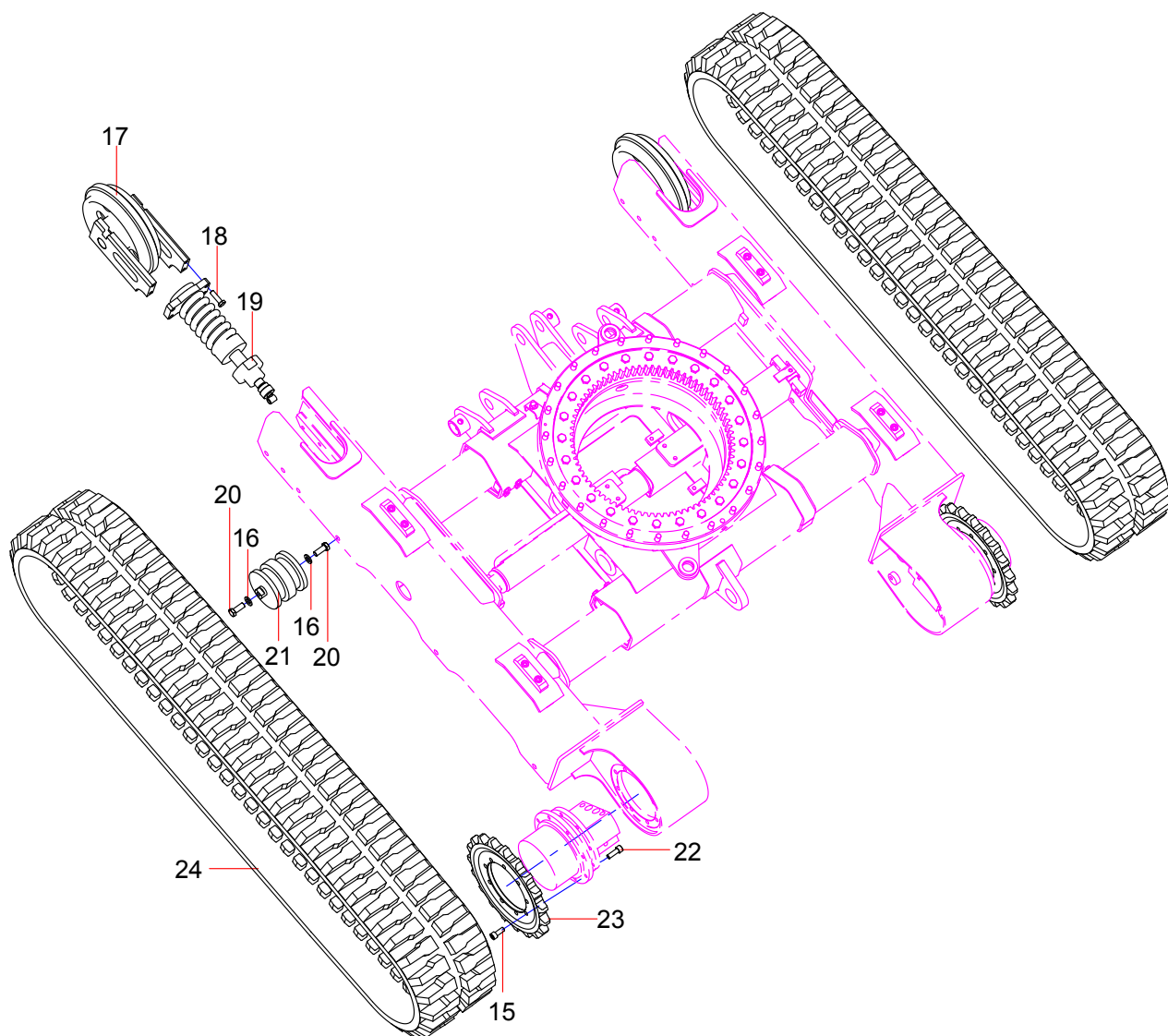


No.	Part No.	Description	Qty	Page number
1	12996277	Lower sealing board	1	
2	24000633	Washer	28	
3	A210111000342	Bolt	8	
4	12996269	Cover Plate	2	
5	24000637	Washer	8	
6	A210111000012	Bolt	6	
49	14518193	cover plate	2	

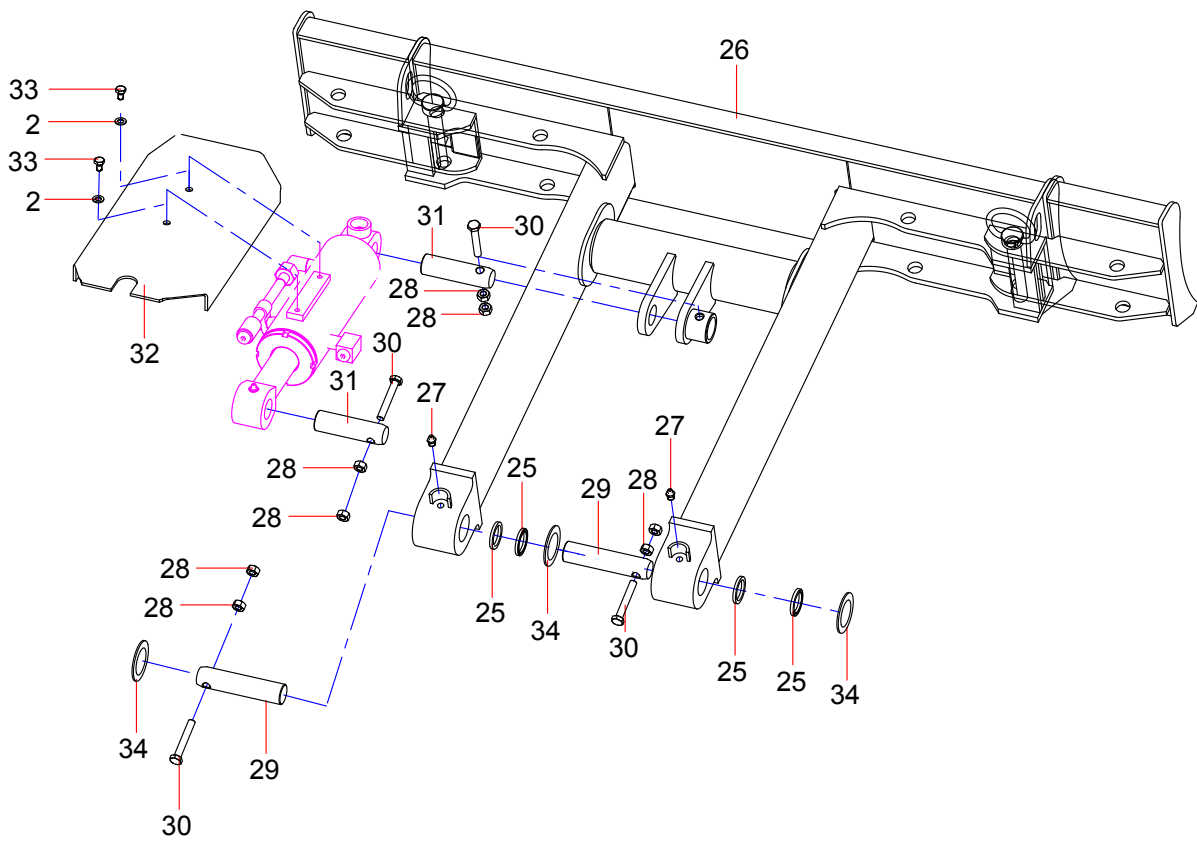




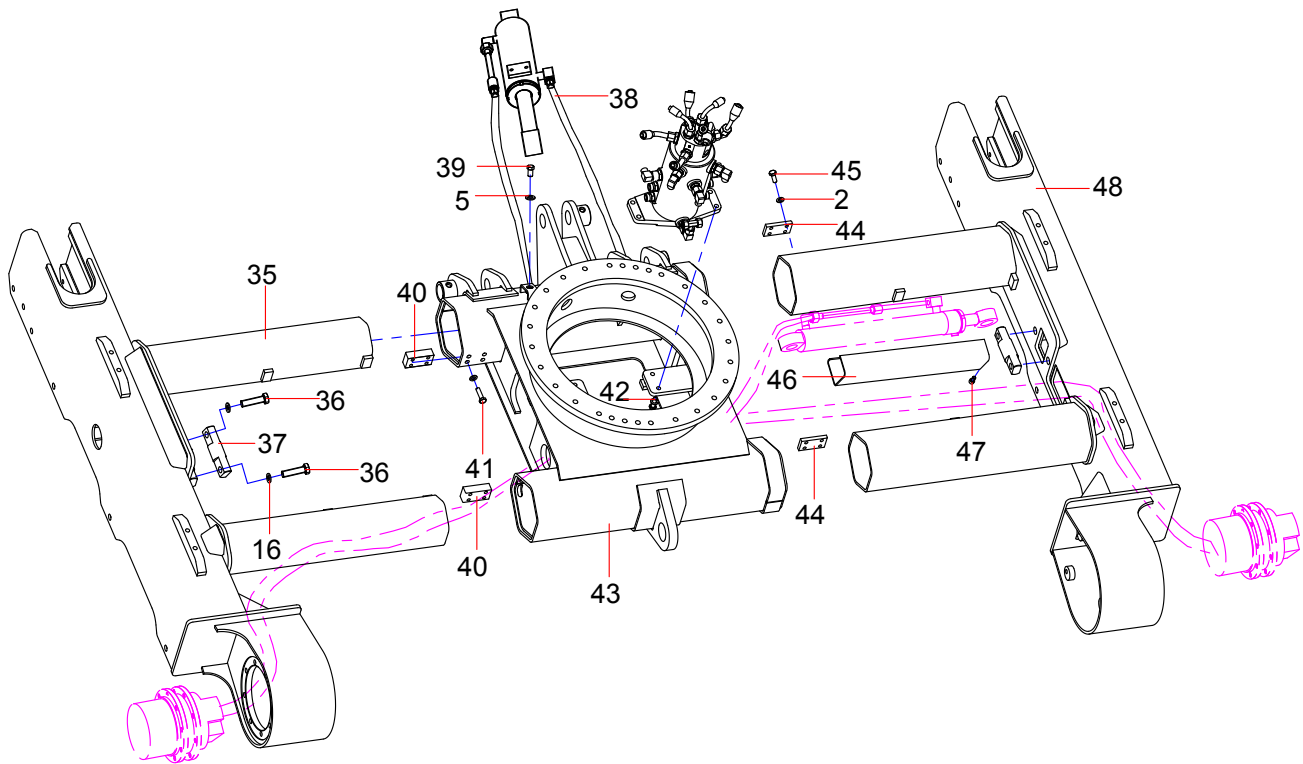
No.	Part No.	Description	Qty	Page number
7	A210111000103	Bolt	48	
8	13559406	Slewing Bearing	1	9-12
9	12996266	Leading block	4	
10	12996254	Crawler pallet	4	
11	14299940	Cross pin seat	2	
12	A210111000101	Bolt	4	
13	12980767	Protective sleeve	2	
14	A820606030917	Protective sleeve	2	
15	23000066	Screw	26	
16	24000639	Washer	20	



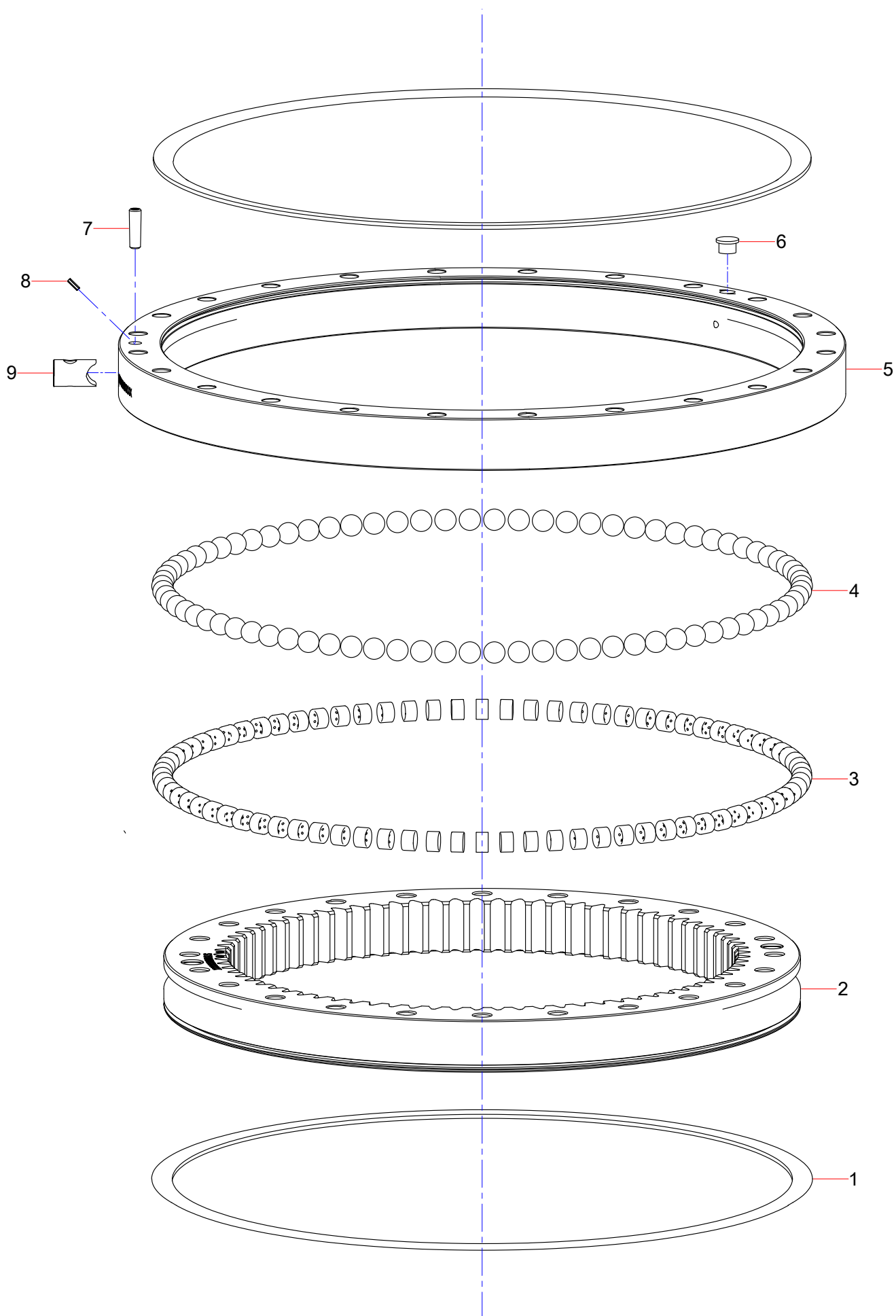
No.	Part No.	Description	Qty	Page number
15	23000066	Screw	26	
16	24000639	Washer	20	
17	60022088	Leading wheel	2	
18	A210111000026	Bolt	8	
19	60022091	Tensioning Equipment	2	9-14
20	A210111000202	Bolt	12	
21	12934830	track roller	6	
22	A210204000354	Screw	16	
23	60022083	Driving wheel	2	
24	60022087	rubber track	2	



No.	Part No.	Description	Qty	Page number
2	24000633	Washer	28	
25	60022526	Dust ring	4	
26	SSY004698376	dozer blade assembly	1	9-16
27	A210804000002	Adaptor, Grease	2	
28	A210307000036	Nut	8	
29	12980345	shaft	2	
30	A210111000294	Bolt	4	
31	12980748	shaft	2	
32	12999617	bulldozing shovel oil cylinder plate	1	
33	A210204000339	Screw	2	
34	13000200	Spacer	8	

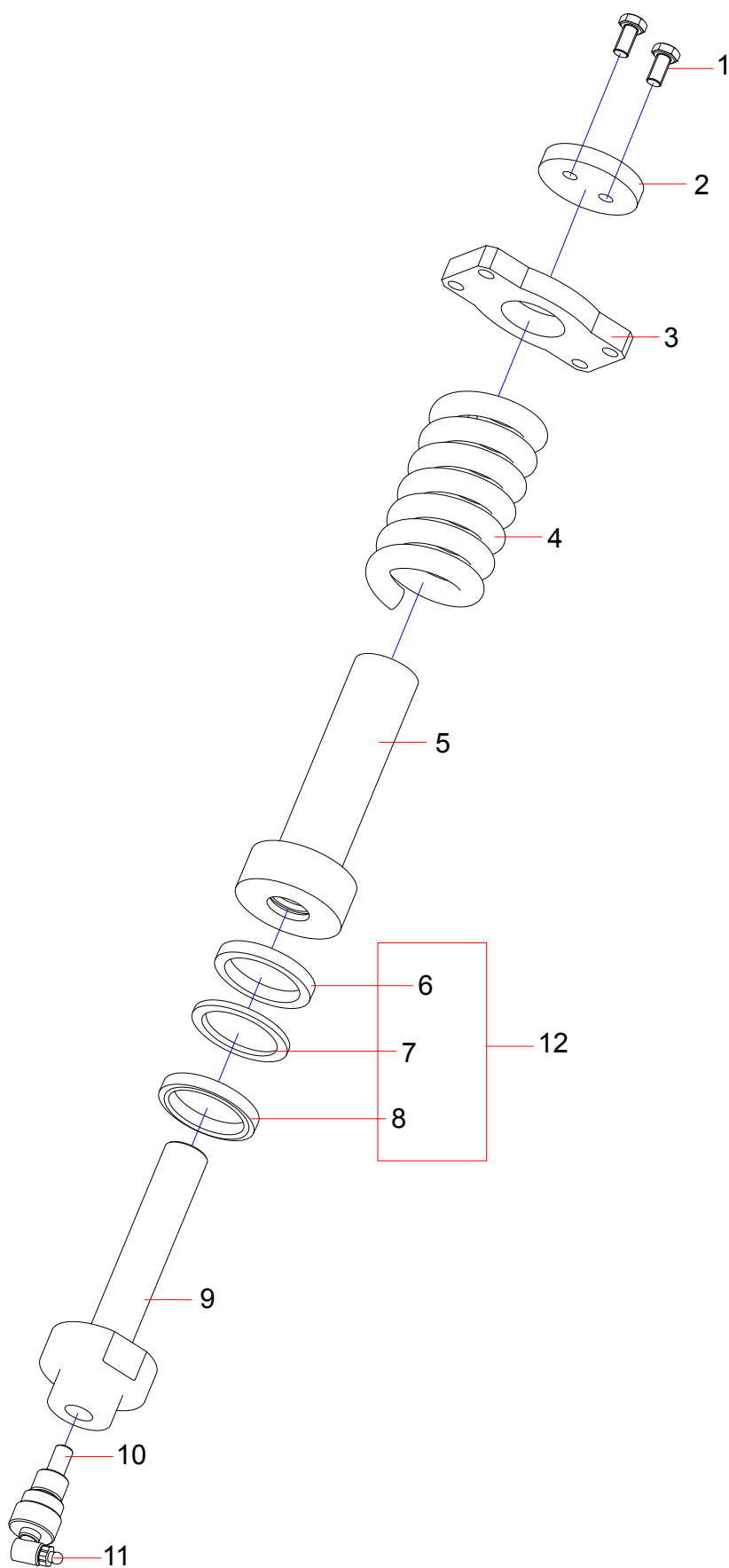


No.	Part No.	Description	Qty	Page number
2	24000633	Washer	28	
5	24000637	Washer	8	
16	24000639	Washer	20	
35	13795641	Left running frame	1	
36	A210111000119	Bolt	4	
37	13779991	pin cylinder telescopic	2	
38	13784011	underage pipe	1	9-18
39	A210111000195	Bolt	2	
40	13795620	left spacing plate	2	
41	A210111000293	Bolt	4	
42	A210111000323	Bolt	4	
43	13795627	Main vehicle frame	1	
44	12996282	right spacing plate	2	
45	A210111000343	Bolt	8	
46	13795643	expansion oil cylinder plate	1	
47	A210204000340	Bolt, socket head	2	
48	13795640	Right running frame	1	

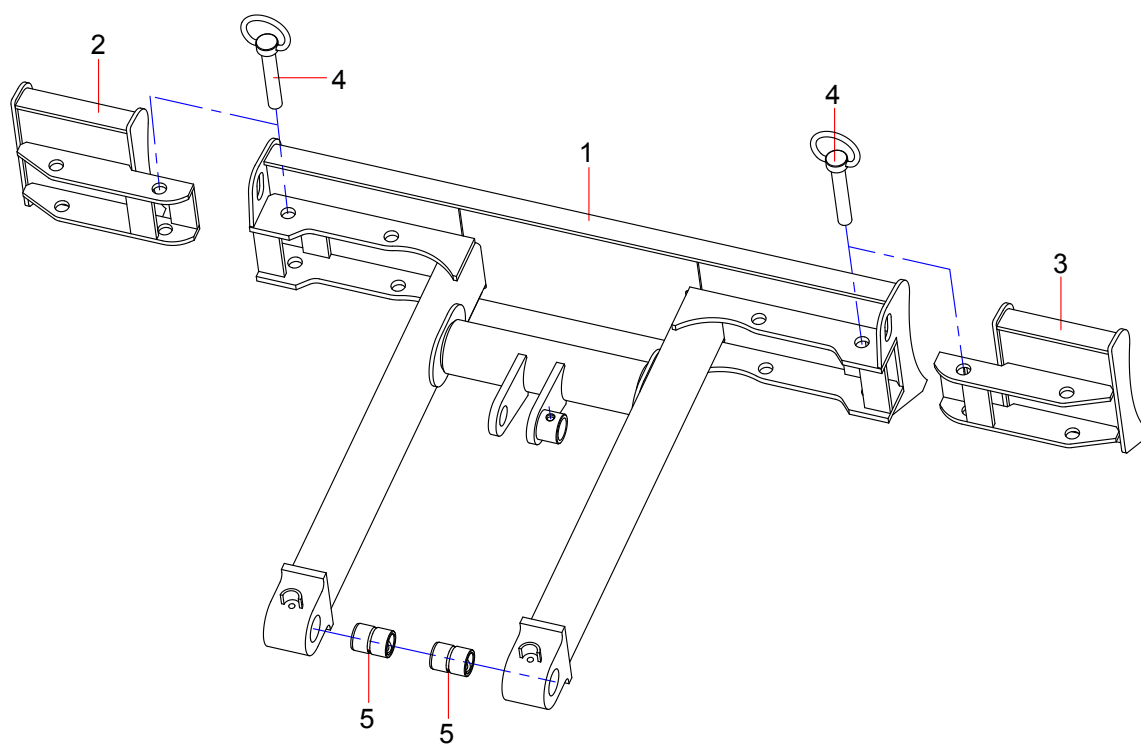




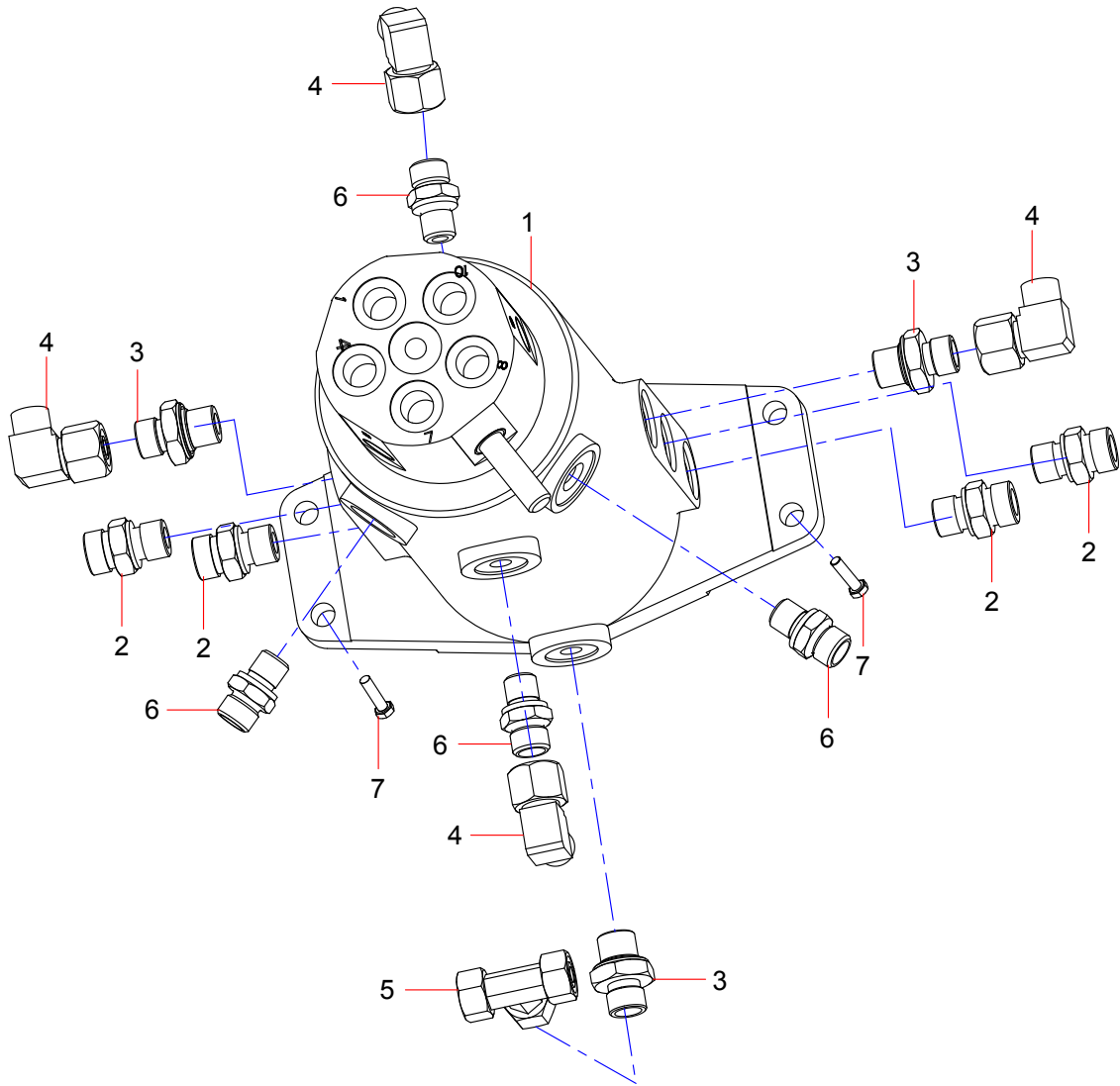
No.	Part No.	Description	Qty	Page number
1	60205959	Angle sealing strip	2	
2	13559404	Inner Ring	1	
3	60217333	Spherical separators	82	
4	60217334	Steel Ball	82	
5	13559405	Outer Ring	1	
6	A229900010008	Plastic seal	1	
7	24004285	shaft	1	
8	60012591	Pin	1	
9	12894151	Plug	1	



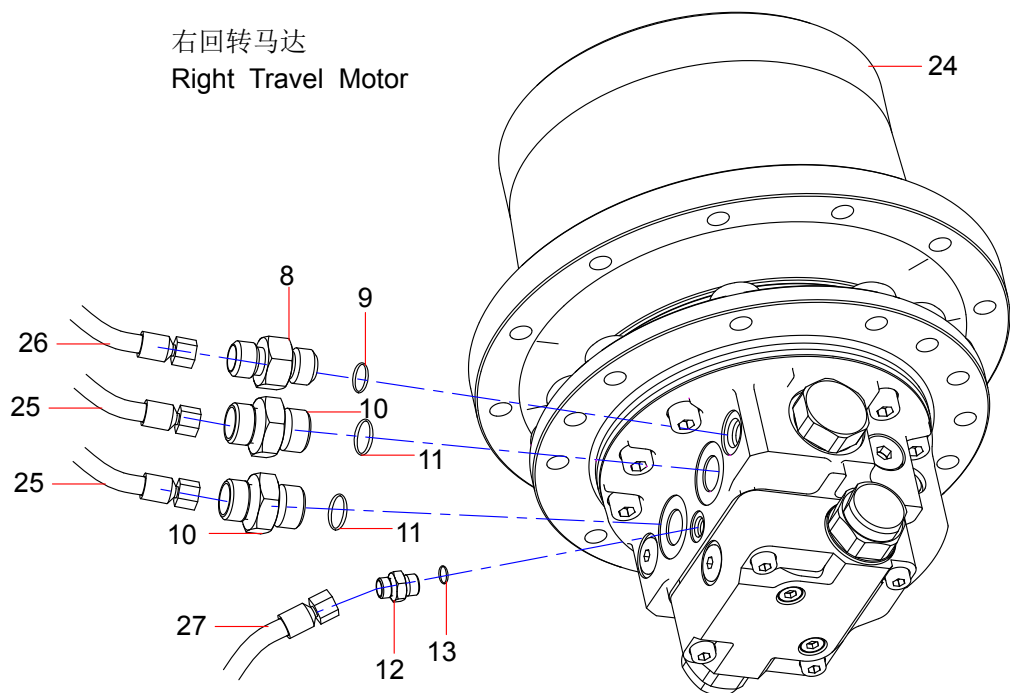
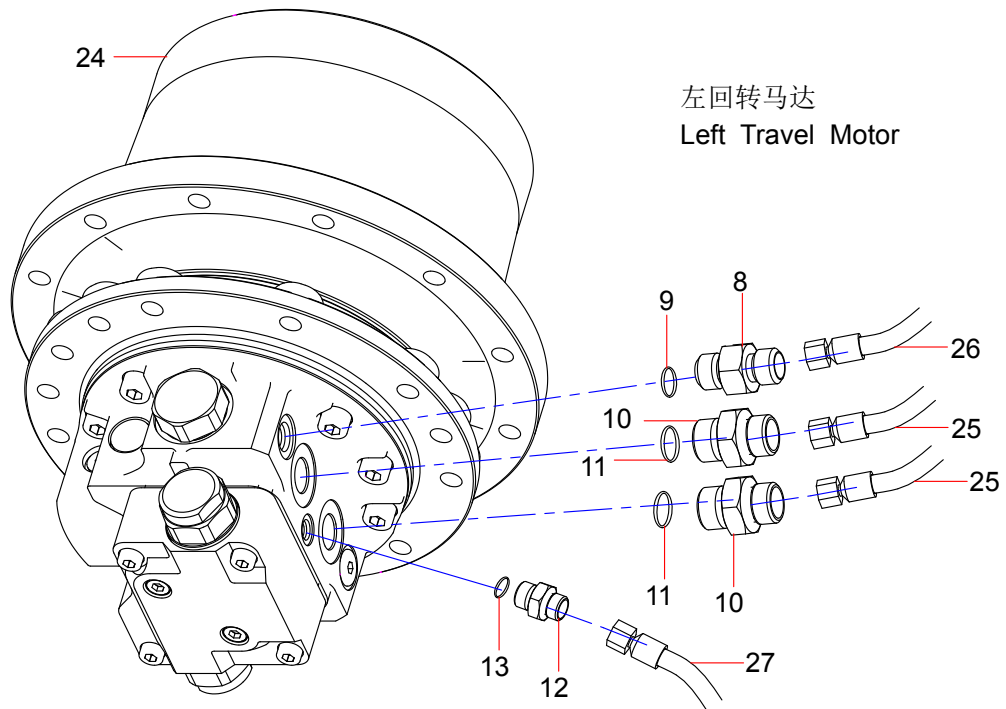
No.	Part No.	Description	Qty	Page number
1	A210110000178	Bolt	2	
2	60280426	installation plate	1	
3	60280427	spring plate	1	
4	60280428	spring	1	
5	60280429	body cylinder	1	
6	60280430	seal ring	1	
7	60280431	bearing ring	1	
8	60280432	dust ring	1	
9	60280433	mandrel	1	
10	60275930	Refiller valve	1	
11	60337293	grease fitting	1	
12	60275931	Tensioning device repair kit	1	



No.	Part No.	Description	Qty	Page number
1	12989395	bulldozing shovel main body	1	
2	12991176	left widen plate	1	
3	12990925	right widen plate	1	
4	12980766	handing ring	2	
5	12980716	Shaft Sleeve	4	

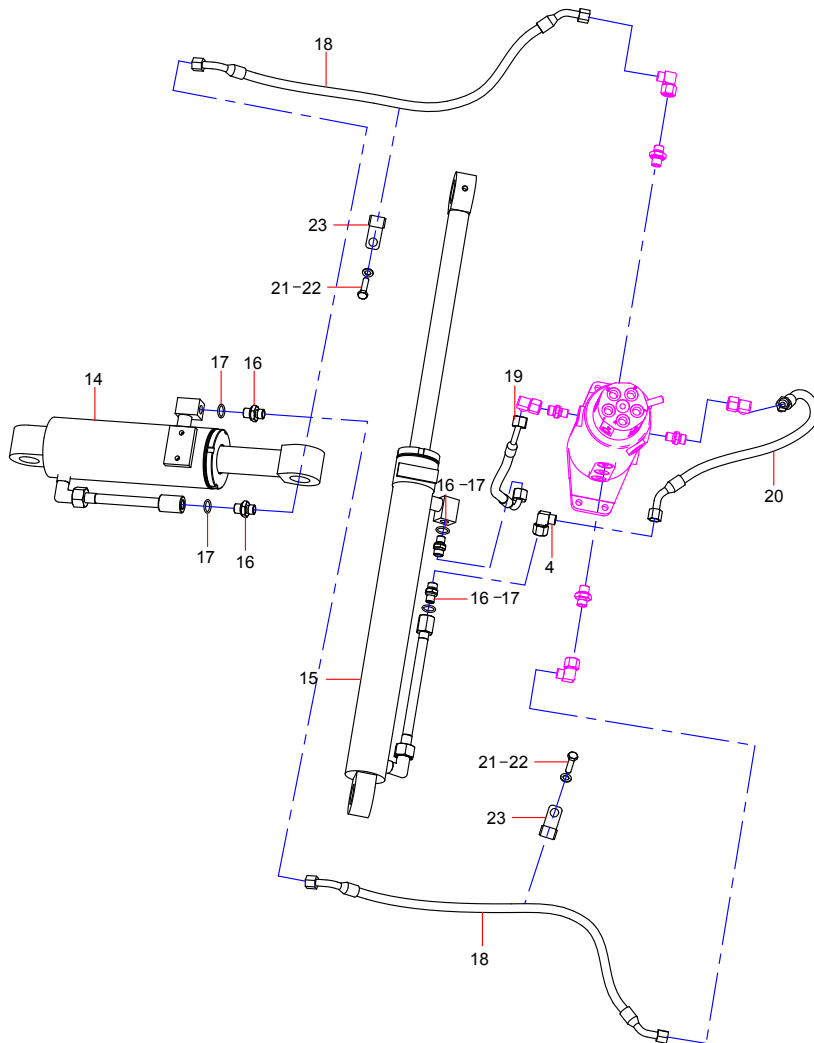


No.	Part No.	Description	Qty	Page number
1	60022417	Center Swivel Joint	1	9-24
2	B210780000036	Connector, Pipe	4	
3	23000531	Stud Ends	3	
4	B210780000418	Fitting, Elbow	5	
5	B210780000172	Fitting	1	
6	B210780000174	Connector, pipe	4	
7	A210111000090	Bolt	4	

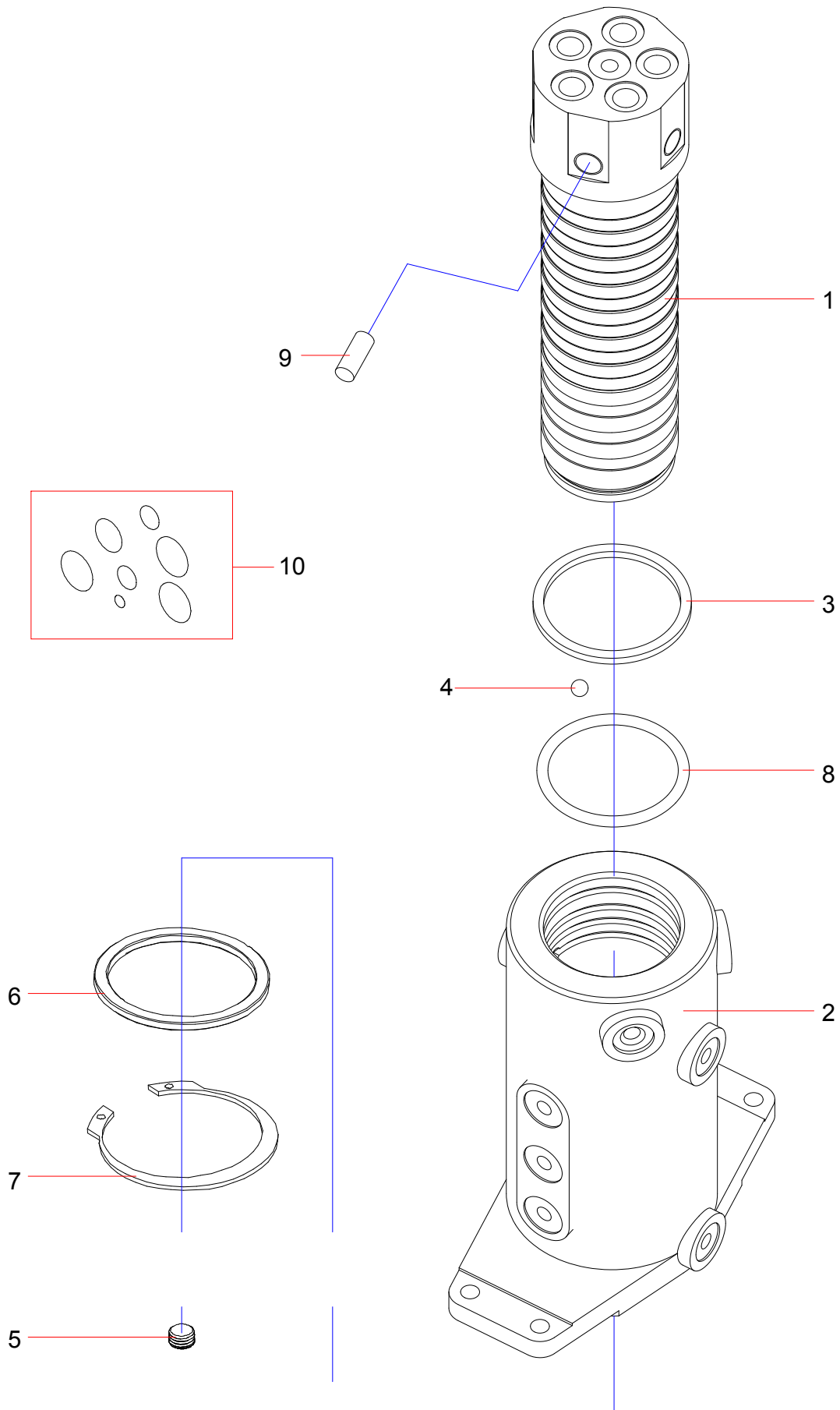




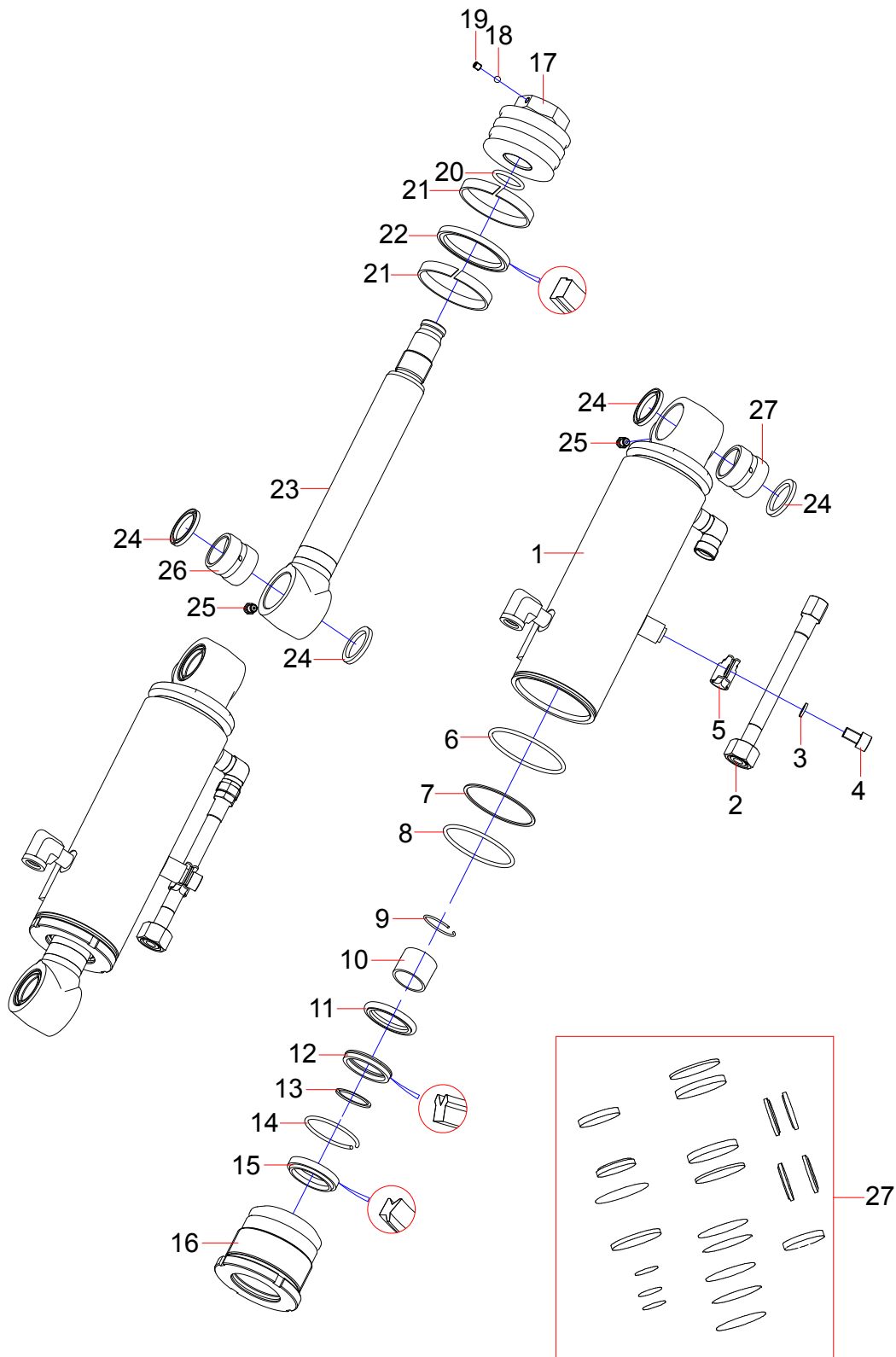
No.	Part No.	Description	Qty	Page number
8	A820205000844	Fitting	2	
9	B230101000047	O-ring	2	
10	11287446	Connector	4	
11	B230101000049	O-ring	4	
12	60227028	Adaptor	2	
13	A210608000097	O-ring	2	
24	60022060	Reducer assembly	2	9-30
25	B230103000464	Rubber hose	4	
26	B230103000982	Hose	2	
27	61030569	Hose	2	



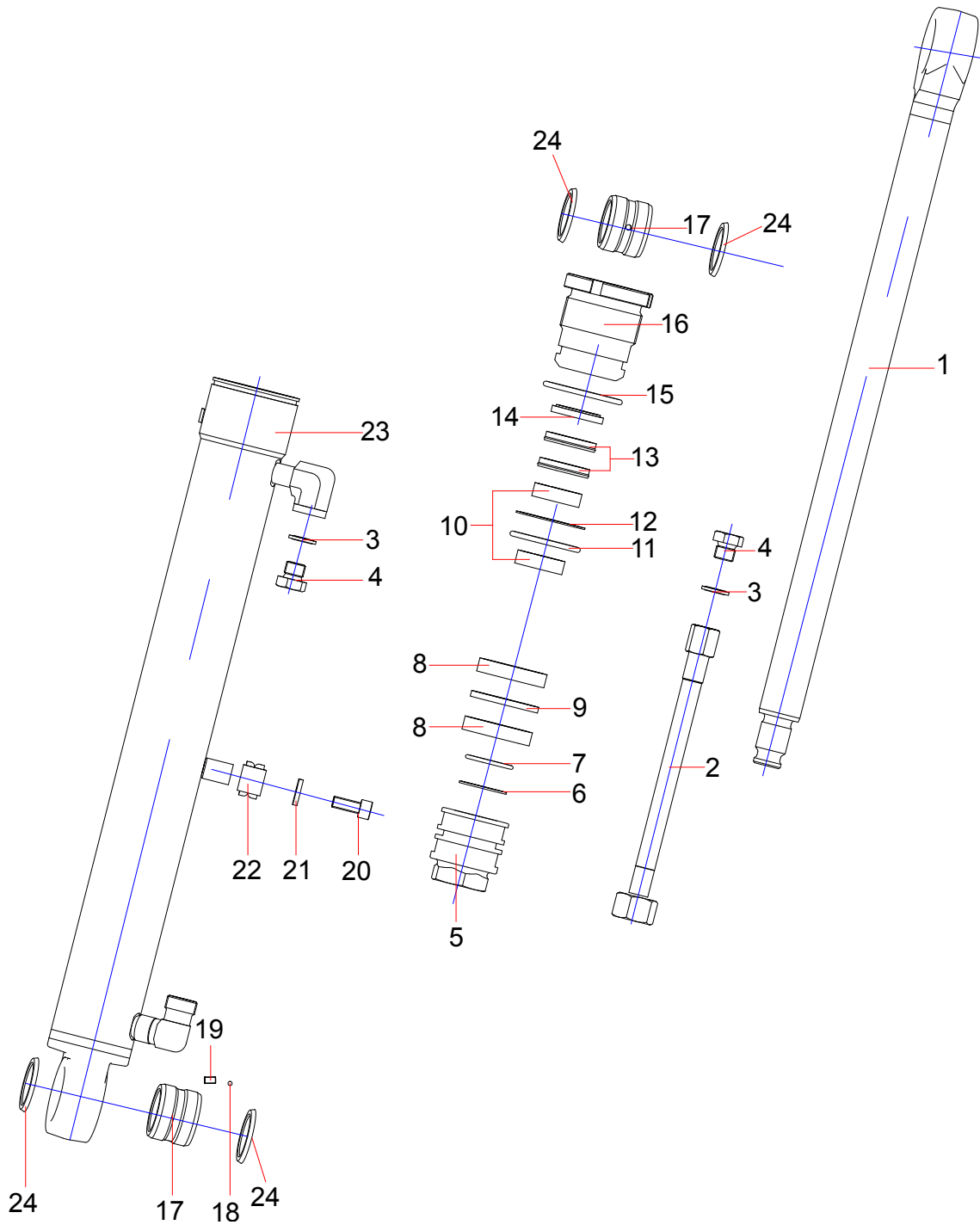
No.	Part No.	Description	Qty	Page number
4	B210780000418	Fitting, Elbow	5	
14	13011010	Bulldozing shovel oil cylinder	1	9-26
15	13782527	Bucket Oil Cylinder	1	9-28
16	A820205001655	Connector	4	
17	A230101000247	O-ring 10.9×2.3(JISB2401)	4	
18	151002160023A	Hose AS	2	
19	60189326	Hose Assembly	1	
20	21032373	Rubber Hose	1	
21	A210111000195	Bolt	2	
22	24000637	Washer	2	
23	60086353	Wire Clamp	2	



No.	Part No.	Description	Qty	Page number
1	60171540	Rotor	1	
2	60171538	Housing-Swing	1	
3	60171545	Rotate sealing	11	
4	A210661000022	Steel Ball $\phi$ 10GB308-89	4	
5	60171541	Plug	4	
6	60171539	Retaining ring	1	
7	60171543	Retaining ring	1	
8	60171544	Seal-O-Ring	1	
9	60171542	Pin	1	
10	60265429	Center Swivel Joint Repairing kit	1	

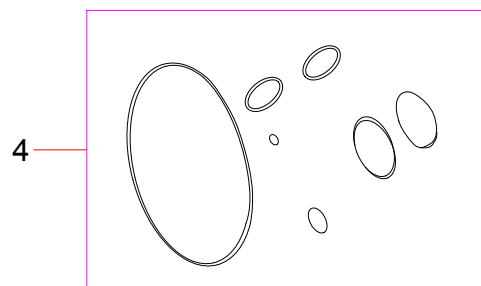
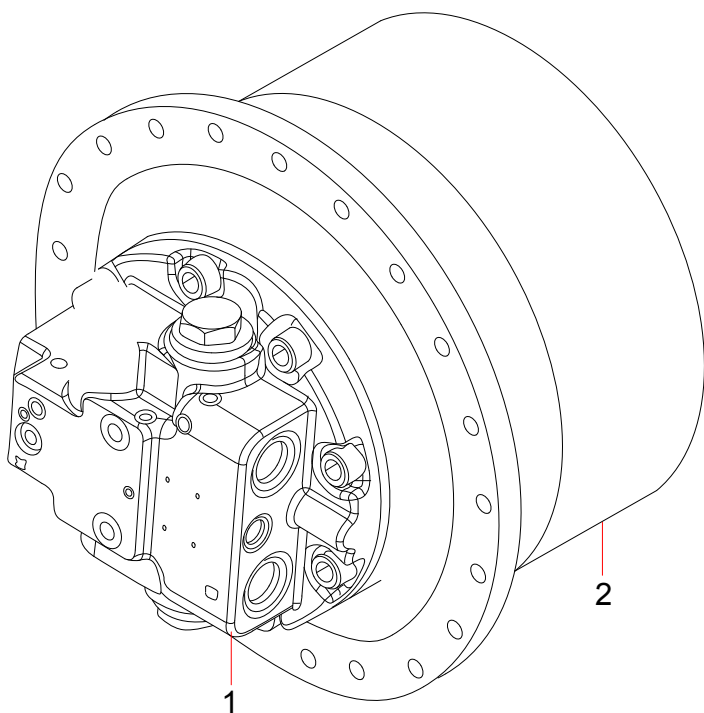
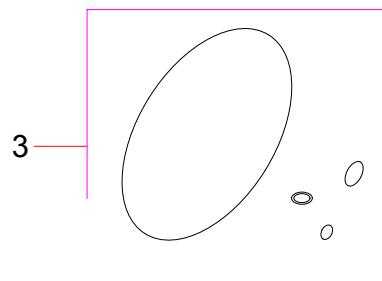


No.	Part No.	Description	Qty	Page number
1	13020799	Cylinder assem.	1	
2	13008312	Cylinder Drum Component	1	
3	A210401000001	Washer	1	
4	A210204000202	Screw	1	
5	13020943	Pipe Clamp	1	
6	A210609000135	O-ring	1	
7	B229900001477	Ring, Retainer	1	
8	A210609000134	O-ring	1	
9	A210417000045	Retainer Ring	1	
10	60035658	Bushing	1	
11	60035789	seal ring	1	
12	60035790	Seal ring	1	
13	60035652	Ring Retaining	1	
14	A210417000107	Retainer Ring	1	
15	60184718	Dust Ring	1	
16	13988940	guide sleeve	1	
17	13988939	Piston	1	
18	A210661000016	Steel Ball	1	
19	A210206000004	Screw	1	
20	A210609000043	O-ring	1	
21	B230101001681	Ring, Wear	2	
22	B230101000868	Seal, KR	1	
23	13388476	piston rod	1	
24	60022526	Dust ring	4	
25	A210804000001	Fitting, Grease	2	
26	11715474	Bush	1	
27	13029096	sealer package	1	

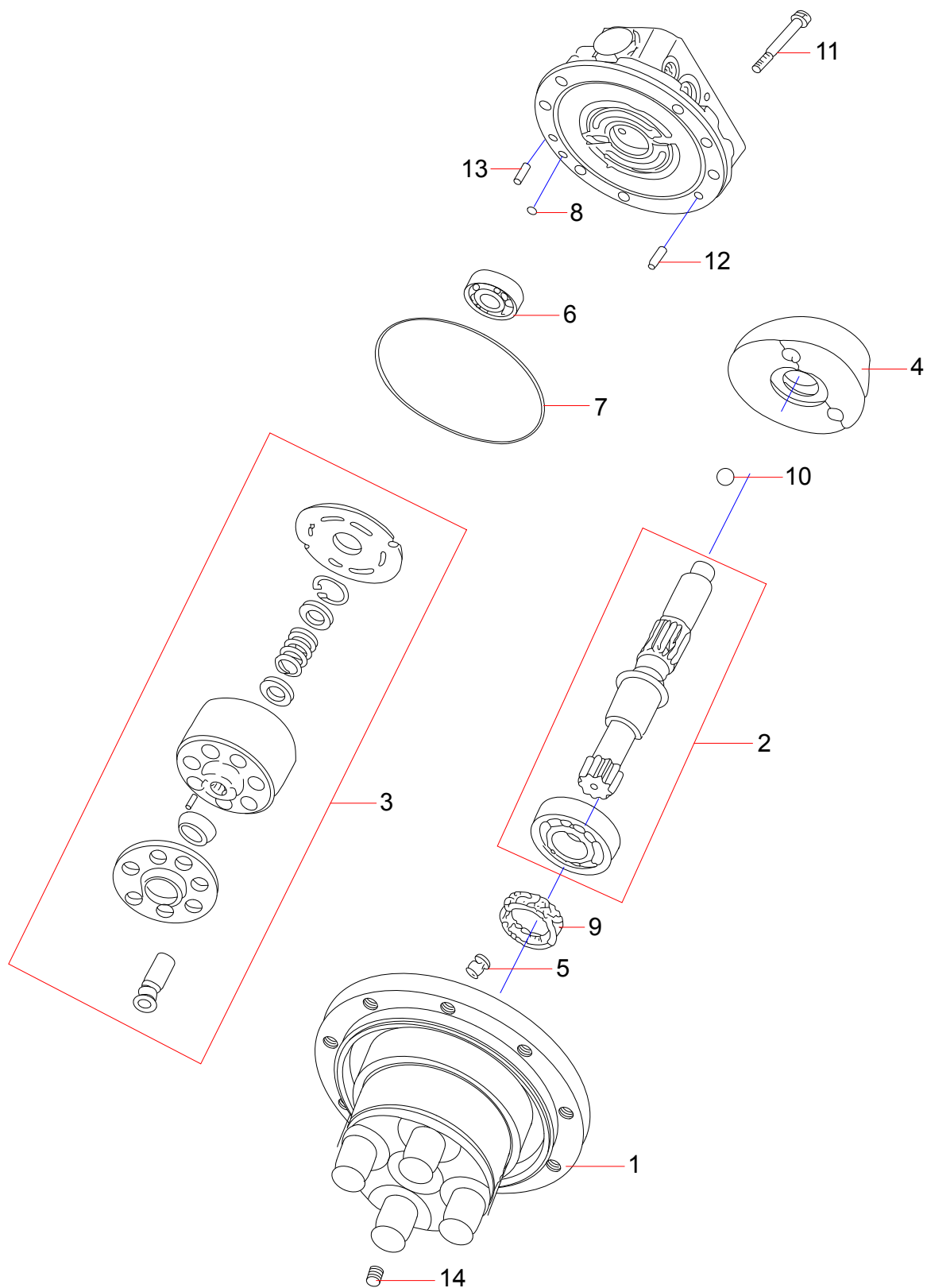




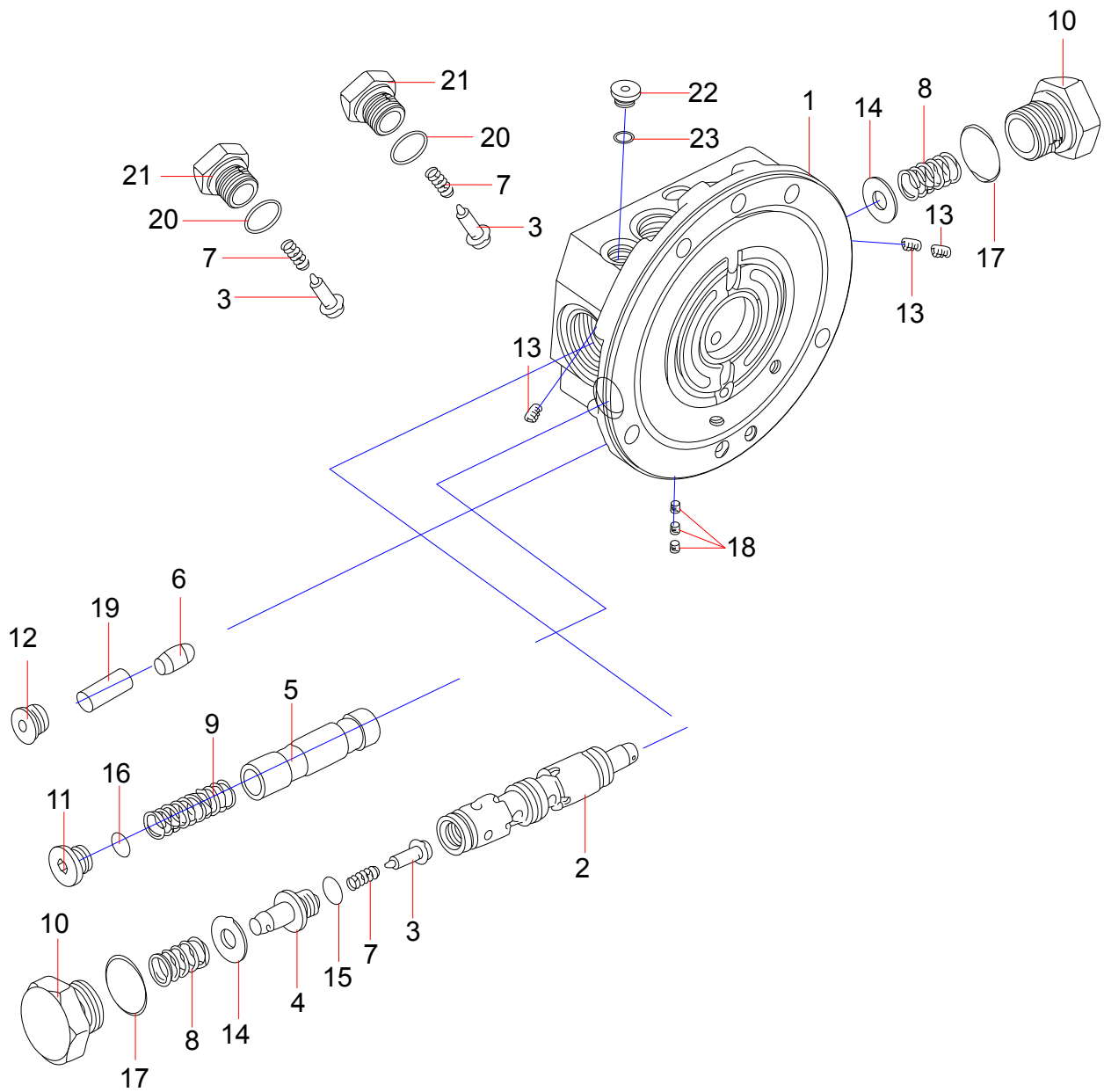
No.	Part No.	Description	Qty	Page number
1	13782532	Piston Rod	1	
2	13008607	Oil Pipe Component	1	
3	A210434000007	Washer	2	
4	A210333000010	Screw Plug	2	
5	13018771	Piston	1	
6	24003725	Retainer Ring	2	
7	A210608000122	O-ring	1	
8	60013716	Ring, Guide	2	
9	60147510	T seal ring	1	
10	60017217	Guide ring	2	
11	A210609000152	O-ring	1	
12	11945707	Ring, retaining	1	
13	60017221	Seal ring	2	
14	60042090	Dust ring	1	
15	A210609000068	O-ring	1	
16	13018772	Guide Sleeve	1	
17	11715474	Bush	2	
18	A210661000015	Steel Ball	1	
19	60068694	Screw	1	
20	A210204000340	Bolt, socket head	1	
21	13469025	washer	1	
22	13008028	Pipe Clamp	1	
23	13019509	Cylinder assem.	1	
24	60022526	Dust ring	4	



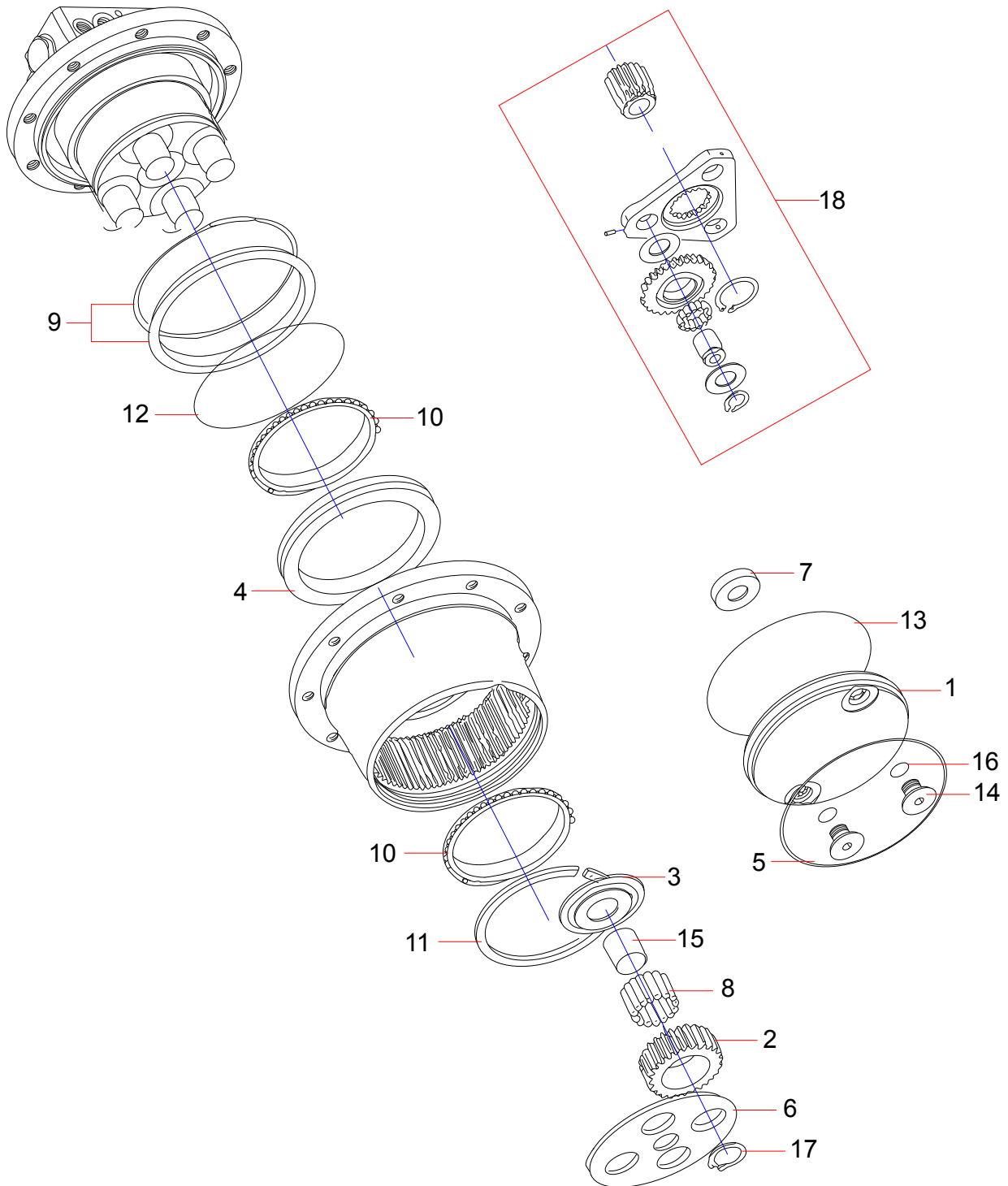
No.	Part No.	Description	Qty	Page number
1	60305404	Hydraulic motor	1	9-32
2	60305393	Reducer	1	9-36
3	60305440	Seal Kit	1	
4	60305439	Seal Kit	1	



No.	Part No.	Description	Qty	Page number
1	60305418	Body	1	
2	60305419	Spool	1	
3	60305420	Check valve	4	
4	60305421	Spring guide	2	
5	60305422	Spool	1	
6	60305423	Spool	1	
7	60305424	Spring V1	4	
8	60305425	Spring V2	2	
9	60305426	Spring V3	1	
10	60305427	Plug	2	
11	60305428	Plug	2	
12	60305429	Plug	2	
13	60305430	Choke	4	
14	60305431	Ring	2	



No.	Part No.	Description	Qty	Page number
1	60305418	Body	1	
2	60305419	Spool	1	
3	60305420	Check valve	4	
4	60305421	Spring guide	2	
5	60305422	Spool	1	
6	60305423	Spool	1	
7	60305424	Spring V1	4	
8	60305425	Spring V2	2	
9	60305426	Spring V3	1	
10	60305427	Plug	2	
11	60305428	Plug	2	
12	60305429	Plug	2	
13	60305430	Choke	4	
14	60305431	Ring	2	
15	60305432	O ring	2	
16	60164380	O RING	2	
17	60164384	O RING	2	
18	60305433	Chock	3	
19	60305434	Pin	2	
20	60305435	Check plug	2	
21	A210608000153	O-ring	2	
22	60164262	PLUG	4	
23	60164379	O RING	1	



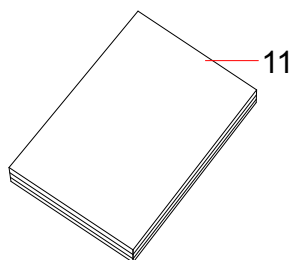
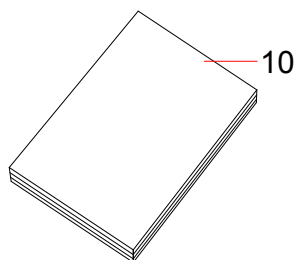
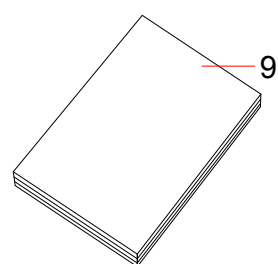
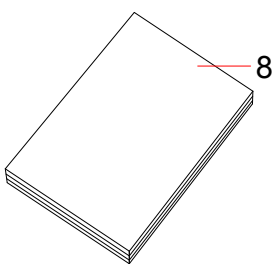
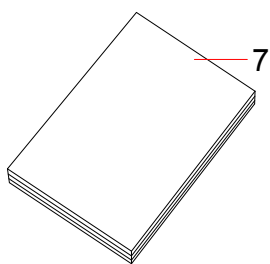
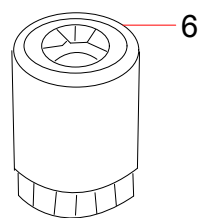
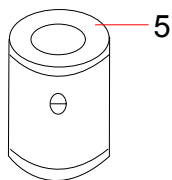
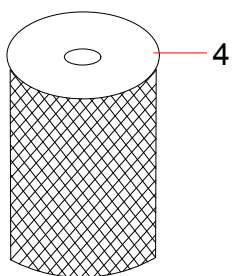
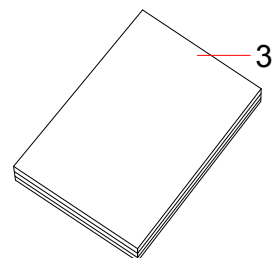
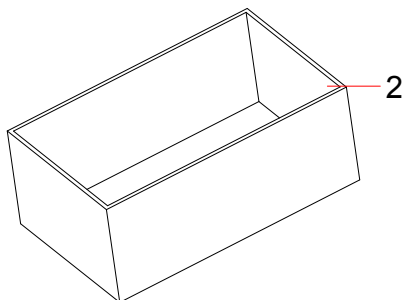
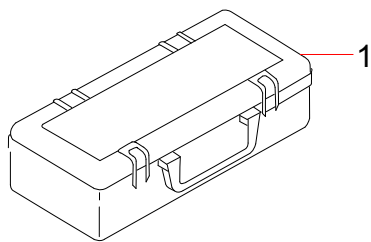


No.	Part No.	Description	Qty	Page number
1	60305394	Cover	1	
2	60305395	B1 Gear	4	
3	60305396	Ring	4	
4	60305397	Seal ring	1	
5	60305398	O snap ring	1	
6	60305399	Thrust plate	1	
7	60216962	SLIDE RING	1	
8	60305400	Needle	96	
9	60305401	Floating seal	1	
10	60305402	Bearing	2	
11	60305403	Snap ring	1	
12	B230101000614	O-ring	1	
13	24001035	O-ring	1	
14	60164261	PLUG	2	
15	60305405	Thrust washer	1	
16	60164380	O RING	3	
17	60305406	Snap ring	2	
18	60305441	Carrier 2 ASSY	1	

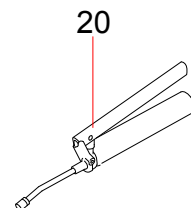
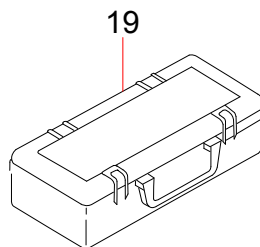
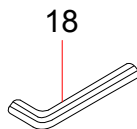
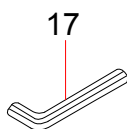
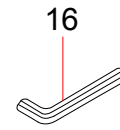
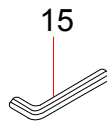
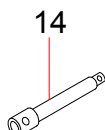
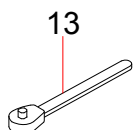
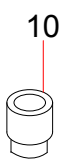
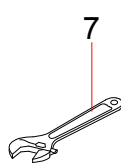
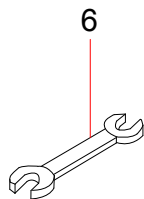
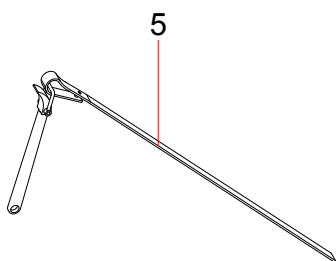
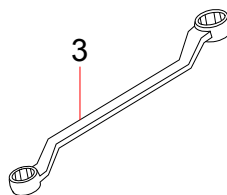
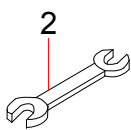
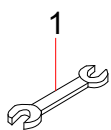
BLANK PAGE

# Group 10

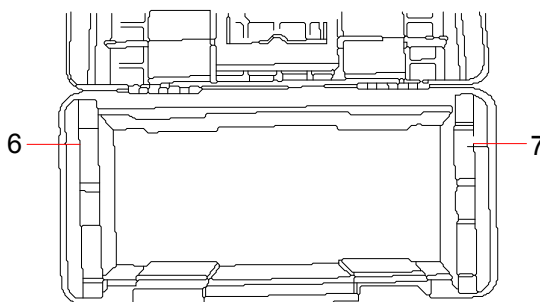
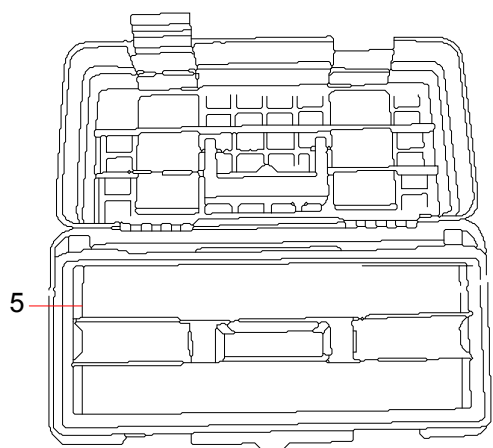
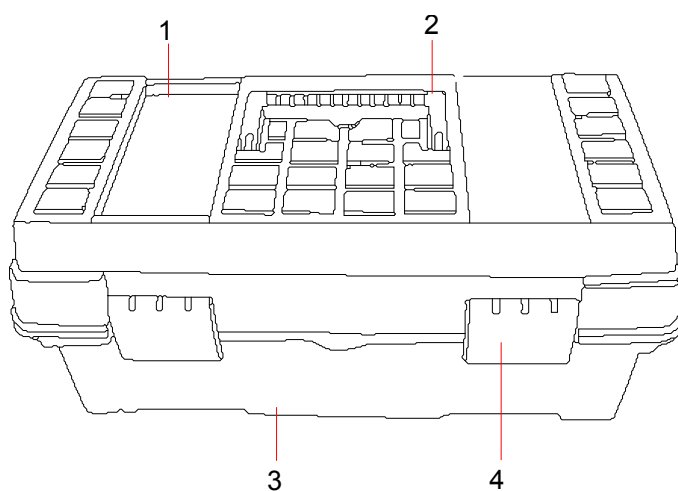
## Accessories(EU)



No.	Part No.	Description	Qty	Page number
1	14042474	Accompanying tools	1	10-4
2	60041997	Accessories Box	1	
3	14529809	SY16C3Y5W Spare parts drawing volume	1	
4	60023849	Primary filter element	1	
5	60027935	oil filter	1	
6	60273107	fuel oil filter	1	
7	11826337	SANY excavator maintenance and guarantee(English)	1	
8	14529997	SY18C3Y5W Maintenance Manual	1	
9	14530001	SY18C3Y5W Operation Manual	1	
10	14530004	SY18C3Y5W Loading Information	1	
11	14529829	SY16C3Y5W Engine parts catalog	1	



No.	Part No.	Description	Qty	Page number
1	A260401030028	Double-ended spanner	1	
2	A260401030007	Spanner, double-ended	1	
3	A260401030100	Wrench, box end	1	
4	60001295	Socket	1	
5	B260401090024	Spanner, belt	1	
6	A260401030005	Spanner, double-ended	1	
7	A260401040004	Spanner, adjustable	1	
8	A260401010025	Socket	1	
9	A260401010063	Socket	1	
10	A260401010027	Socket	1	
11	A260401010051	Socket 24×12.5GB3390.1	1	
12	A260401010029	Socket	1	
13	A260401090010	Wrench ratchet	1	
14	A260401010092	Connecting rod	1	
15	A260401020009	Wrench, allen	1	
16	A260401020010	Wrench, allen	1	
17	A260401020011	Wrench, Allen 8RGB5356	1	
18	A260401020004	Wrench, allen	1	
19	A290000000155	Toolbox, portable	1	10-6
20	B260409000015	High pressure grease gun	1	





No.	Part No.	Description	Qty	Page number
1	60153777	Upper cover	1	
2	60153697	Handle	1	
3	60153693	Latch	2	
4	60153713	Base	1	
5	60153827	Tray	1	
6	60153665	Support, left	1	
7	60153654	Support, right	1	

BLANK PAGE

# Appendix A      Alphabetical Index

accelerator rocker 13101496 .....	7-9
accelerator support 13101499 .....	7-9
Accessories Box 60041997 .....	10-3
Accessories(EU) 14530406 .....	1-3
Accompanying tools 14042474 .....	10-3
Accumulator connector 61016948 .....	6-67
Accumulator decal 13166740 .....	8-5
Accumulator 61016947 .....	6-67
Adapter, relay A820205000944 .....	6-11
Adaptor, Grease A210804000002 .....	2-5, 2-7, 2-9, 2-11, 2-13, 6-99, 9-9
adaptor 13066238 .....	7-17
Adaptor 60227028 .....	9-21
Air Filter Assembly 60017230 .....	7-17
Alarm lamp switch 61020294 .....	3-37
Alarm lamp 60237043 .....	4-3
Anchor Ear 13103541 .....	7-15
Angle sealing strip 60205959 .....	9-13
Antenna 60023704 .....	3-11
ARM 12997893 .....	2-7
Armature 60282453 .....	6-103
B1 Gear 60305395 .....	9-37
back air pipe 14279468 .....	7-17
Back glass 60344161 .....	3-9
Back lock sleeve 60344605 .....	3-29
Back lock 60344602 .....	3-29
back pedal 13603235 .....	3-41
back pedal 13603238 .....	3-43
Ball 61016950 .....	6-67
Base 60153713 .....	10-7
Batterie Switch 60241333 .....	4-3
battery fixed component 12995055 .....	5-3
battery fixed plate 12995053 .....	5-19
Battery 60066402 .....	4-3
be care of steam 13509503 .....	8-3
Bearing bushing 60171610 .....	6-113
Bearing Ring 60184610 .....	2-21
bearing ring 60280431 .....	9-15
bearing 60258166 .....	6-119
Bearing 60305402 .....	9-37
Bearing B221500000299 .....	6-113
Bearing B221500000300 .....	6-113
bend column 13108752 .....	7-13
Block circle 10680534 .....	6-113
Blockhead A820205002539 .....	6-117
blot 60258216 .....	6-105
body assembly 60257619 .....	7-19
body cylinder 60280429 .....	9-15
Body of valve 60171572 .....	6-61
Body of valve 60171574 .....	6-105
Body of valve 60171575 .....	6-105
Body of valve 60171576 .....	6-105
Body of valve 60171577 .....	6-107
Body of valve 60171579 .....	6-65, 6-69
Body-Valve 60171657 .....	6-115
body 60258185 .....	6-121
Body 60282449 .....	6-103
Body 60290357 .....	6-101
Body 60290358 .....	6-71
Body 60305418 .....	9-33, 9-35
Bolt A210111000092 .....	3-39, 7-17
Bolt A210111000202 .....	6-97, 7-15, 9-7
Bolt A210111000204 .....	5-5
Bolt A210111000205 .....	6-5
Bolt M12×25GB5783 dacrotizing 24000292 .....	2-5

Bolt M14×90GB5783 Grade 10.9 A210111000052 .....	6-5
Bolt, socket head 61025254 .....	6-73
Bolt, socket head A210204000340 .....	2-19, 2-23, 9-11, 9-29
Bolt 21005186 .....	6-97
Bolt 60290341 .....	6-101
Bolt A210110000178 .....	9-15
Bolt A210111000012 .....	2-5, 5-5, 6-11, 9-3
Bolt A210111000024 .....	2-27, 5-5, 6-97, 7-9, 7-13
Bolt A210111000026 .....	7-5, 9-7
Bolt A210111000028 .....	3-37
Bolt A210111000032 .....	6-3
Bolt A210111000078 .....	6-17, 7-9
Bolt A210111000079 .....	4-3, 5-13, 7-9
Bolt A210111000080 .....	3-5
Bolt A210111000088 .....	5-13, 7-11
Bolt A210111000089 .....	5-13
Bolt A210111000090 .....	9-19
Bolt A210111000093 .....	6-15
Bolt A210111000095 .....	6-19
Bolt A210111000096 .....	7-9
Bolt A210111000101 .....	9-5
Bolt A210111000103 .....	9-5
Bolt A210111000119 .....	2-27, 9-11
Bolt A210111000127 .....	3-3, 5-3
Bolt A210111000195 .....	9-11, 9-23
Bolt A210111000197 .....	7-13
Bolt A210111000240 .....	6-123
Bolt A210111000270 .....	2-3
Bolt A210111000293 .....	2-15, 4-3, 7-9, 9-11
Bolt A210111000294 .....	2-5, 2-7, 2-9, 2-13, 9-9
Bolt A210111000295 .....	2-3
Bolt A210111000323 .....	5-5, 9-11
Bolt A210111000342 .....	2-15, 3-3, 5-5, 5-7, 6-5, 6-25, 6-83, 6-117, 7-5, 7-9, 9-3
Bolt A210111000343 .....	3-3, 3-5, 5-5, 6-25, 6-97, 6-117, 7-17, 9-11
Bolt A210111000348 .....	6-83, 6-89
Bonnet Lock 60225215 .....	5-13
Boom 13001974 .....	2-5
bracket 14242955 .....	3-5
Buck 12997849 .....	2-13
Bucket body 12997862 .....	2-27
Bucket Oil Cylinder 13010965 .....	2-15
Bucket Oil Cylinder 13011011 .....	6-85
Bucket Oil Cylinder 13764909 .....	2-17
Bucket Oil Cylinder 13782527 .....	9-23
Bucket Oil Cylinder 14064297 .....	2-15
bucket tooth 12997848 .....	2-27
bulldozing shovel main body 12989395 .....	9-17
Bulldozing shovel oil cylinder 13011010 .....	9-23
bulldozing shovel oil cylinder plate 12999617 .....	9-9
bulldozing shovel valve installation plate 13458166 .....	3-3
Bumper Sleeve 11718941 .....	6-109
Bumper Sleeve 13008473 .....	2-21
Bush 11715474 .....	2-19, 2-21, 2-23, 6-109, 9-27, 9-29
Bushing 60035658 .....	9-27
BUSHING 60221102 .....	6-65, 6-69
cab back marking 13738816 .....	8-3
cab base back lower sponge 13703089 .....	3-7
cab base back sponge 13703092 .....	3-7
cab base back sponge 13703218 .....	3-7
cab base front sponge 13703093 .....	3-7
cab base left armbox lower sponge 13703091 .....	3-7
cab base left lower sponge 13703088 .....	3-7
cab base lower sponge 13703086 .....	3-7
cab base right front sponge 13703085 .....	3-7
cab base right lower sponge 13703090 .....	3-7
cab base sponge 13703087 .....	3-7
cab bottom board component 13702967 .....	3-3

cab bottom board pad 13706703 .....	3-3
cab covering parts component 14530287 .....	1-3
cab covering parts subassembly 14530288 .....	5-3
Cab door assembly 61018717 .....	3-15
Cab door up glass 61018718 .....	3-11
cab right front bottom board component 13703066 .....	3-3
Cab's harness 13836439 .....	4-3
Cap 60290377 .....	6-71
Carrier 2 ASSY 60305441 .....	9-37
Carrier 60171564 .....	6-113
Carter seal O-ring 23990449 .....	6-113
Caution plate of bucket rod 10124614 .....	8-3
Center Swivel Joint Repairing kit 60265429 .....	9-25
Center Swivel Joint 60022417 .....	9-19
Check plug 60305435 .....	9-35
Check valve 60171571 .....	6-115
Check valve 60305420 .....	9-33, 9-35
Chock 60305433 .....	9-35
Choke 60305430 .....	9-33, 9-35
cigarette lighter 60248582 .....	3-23
Circlip 60350118 .....	2-21
Circlip 60350119 .....	2-23, 6-109
Clamp assembly 14279453 .....	7-17
Clamp ring 60171561 .....	6-113
Clamp, T-bolt 60021999 .....	7-17
Clamp 12979224 .....	2-15
Clamp 12979225 .....	2-15
Clamp 12979226 .....	2-15
Clamp 13532356 .....	2-15
Clamp 14286753 .....	6-85
Clamp 60083322 .....	4-3
Clamp 60086354 .....	4-3, 7-9
Clamp 60086356 .....	4-3
Clamp 60086357 .....	6-55, 7-5
CLAMP 60202895 .....	7-5
Clamp 60338982 .....	7-5
Clamp A229900001345 .....	7-9, 7-17
cleaning flange cap 13100584 .....	7-11
clip 13034624 .....	6-5
Cluster Fixed Lace 60202078 .....	4-3
coating 13902060 .....	1-3
Coil 61016946 .....	6-67
Combination instrument 61019660 .....	4-3
Cone 61016956 .....	6-67
connect plate 14280148 .....	7-5
Connecting Rod 13002029 .....	2-25
Connecting rod 61026664 .....	6-69
Connecting rod A260401010092 .....	10-5
Connecting Rod Assy SSY004694297 .....	2-9, 2-11
Connection 60290332 .....	6-101
Connector, Pipe B210780000036 .....	6-95, 9-19
Connector, pipe B210780000177 .....	2-17, 6-79
Connector, pipe B210780000979 .....	6-77, 6-79
Connector, pipe B210780000174 .....	6-27, 6-93, 6-95, 9-19
Connector 11287446 .....	6-87, 6-95, 9-21
Connector 12978957 .....	6-81
Connector 12978967 .....	6-81
Connector 12978969 .....	6-81
Connector 12978970 .....	6-81
Connector 12978973 .....	6-79
Connector 12978975 .....	6-79
Connector 12978983 .....	6-79
Connector 12978987 .....	6-81
Connector 12978988 .....	6-79, 6-81
Connector 12978991 .....	6-95
Connector 13603282 .....	6-95
Connector 61026661 .....	6-69

Connector A820205001655 .....	9-23
Control instruction 13507562 .....	8-5
control lever 12985867 .....	3-39
Control piston 60290334 .....	6-101
Control Rod 60290339 .....	6-101
Control Switch Harness 14099976 .....	4-3
cool system 14521694 .....	7-3
Coolant radiator 60257621 .....	7-7
Copper sleeve 60290368 .....	6-63, 6-71
Counter rotating rollers 13507822 .....	8-3
counter weight 13009761 .....	6-3
Counterweight reflective coating 13094087 .....	8-3
Counterweight warning board A820601991049 .....	8-3
counterweight 12964396 .....	6-5
cover 14158506 .....	2-5
cover assembly 60257618 .....	7-19
cover of fuel tank 60304920 .....	7-11
Cover Plate 12996269 .....	9-3
cover plate 14518193 .....	9-3
Cover 60171637 .....	6-105
Cover 60171638 .....	6-105
cover 60258189 .....	6-119
Cover 60305394 .....	9-37
covering parts left lower plate 14287431 .....	5-7
covering parts support 13003719 .....	5-7
Crawler pallet 12996254 .....	9-5
Crawler telescopic and bulldozing shovel decal 13234045 .....	8-3
Cross pin seat 14299940 .....	9-5
Cross recessed pan head tapping screws 60141820 .....	6-61
Cylinder Assem. 13018654 .....	2-21
Cylinder Assem. 13018783 .....	2-19
Cylinder Assem. 13019452 .....	2-23
Cylinder assem. 13019509 .....	9-29
Cylinder assem. 13020799 .....	9-27
Cylinder Assem. 13021419 .....	6-109
cylinder block 60258179 .....	6-119
Cylinder body 60171642 .....	6-115
Cylinder Drum Component 13008312 .....	9-27
damper lock washer 13818808 .....	3-3
damper lower backup plate 13004265 .....	3-3, 5-7
Damper 60226781 .....	3-3
Damper 60226782 .....	5-3
Decal, unlock A820601990927 .....	8-5
decal 14416235 .....	8-5
Differential pressure indicator 60233678 .....	7-17
Door bottom glass 60344164 .....	3-11
Door lock cover 60344849 .....	3-11
Door sealant strip 60344588 .....	3-11
Double-ended spanner A260401030028 .....	10-5
DOWEL PIN ELASTIC 60247574 .....	6-121
DOWEL PIN ELASTIC 60247576 .....	6-121
DOWEL PIN ELASTIC 60247577 .....	6-121
dozer blade assembly SSY004698376 .....	9-9
drawing wire cushion 60292653 .....	3-37
Drive Torque Limiter 60171666 .....	6-119
Driving wheel 60022083 .....	9-7
Dust Cover 60290375 .....	6-71
Dust ring 60022526 .....	2-7, 2-9, 2-11, 2-13, 2-19, 2-21, 2-23, 6-109, 9-9, 9-27, 9-29
Dust Ring 60022527 .....	2-3
Dust ring 60042090 .....	9-29
Dust Ring 60184716 .....	2-21
Dust Ring 60184717 .....	2-19, 2-23, 6-109
Dust Ring 60184718 .....	9-27
dust ring 60280432 .....	9-15
dust-proof net component 13004766 .....	5-9
Electrical assembly drawing 13838131 .....	1-3

Electromagnetic reversal valve 60342181 .....	6-25
Electromagnetic Reversing Valve 60267183 .....	6-77
Electromagnetic valve 61016945 .....	6-67
electronic plate 13698959 .....	4-3
emergency stop switch bracket 13369997 .....	4-3
Emergency Stop Switch 13504946 .....	8-5
Emergency Switch B240200000059 .....	4-3
engine compartment front cover plate inner sponge 13004371 .....	5-3
engine compartment front cover plate 13004372 .....	5-7
engine3TNV80F-SPSK 14.6kW stageV YANMAR 61020117 .....	7-3
excavator cab 60279902 .....	3-3
exhaust system 14521034 .....	7-3
expansion oil cylinder plate 13795643 .....	9-11
Fan warning 13507565 .....	8-3
fan 160802020052A .....	7-5
file case main body 13400544 .....	5-17
file case sealant strip 13400542 .....	5-17
file case 13400543 .....	5-7
filter drainage tube 13303621 .....	7-9
filter net 60304921 .....	7-11
FILTER 60164220 .....	6-115
Fire Extinguisher 60001289 .....	3-25
Fitting, Adapter 24003609 .....	6-29
Fitting, Adapter B210780000141 .....	6-79, 6-97
Fitting, adapter B210780000148 .....	2-15, 2-17
Fitting, Adapter B210780000176 .....	6-9, 6-15, 6-25, 6-29, 6-75
Fitting, Adapter B210780001024 .....	6-91
Fitting, Elbow B210780000024 .....	6-23, 6-29
Fitting, Elbow B210780000418 .....	6-7, 6-11, 6-13, 6-23, 6-25, 6-27, 6-75, 6-77, 6-93, 9-19, 9-23
Fitting, Elbow B210780000636 .....	6-75, 6-87, 6-95
Fitting, Elbow B210780001310 .....	6-79, 6-97
Fitting, Grease A210804000001 .....	2-19, 2-21, 2-23, 6-109, 9-27
Fitting, Tee, L-shape B210780000170 .....	6-11, 6-15, 6-27
Fitting, Tee B210780000015 .....	6-79, 6-81
Fitting, Tee B210780001007 .....	6-79, 6-91
Fitting 21002815 .....	6-7, 6-23
Fitting 21002840 .....	6-85
FITTING 60221096 .....	6-65
Fitting A820205000844 .....	9-21
Fitting B210780000172 .....	9-19
Fitting B210780001045 .....	6-11
Fitting B210780001444 .....	6-21
Fixed loading spot mark 13166446 .....	8-3
Fixed nut 60295059 .....	6-105
fixed plate 12995001 .....	4-3
Fixed plate 60171644 .....	6-59
Fixity of Line 60086355 .....	4-3
flang 12979144 .....	6-117
Flange, Split B210780000696 .....	6-97
flange 13108751 .....	7-13
FLANGE 60221097 .....	6-65, 6-69
Flanging coupling 60224349 .....	7-13
Floating seal 60305401 .....	9-37
FLOW COMPENSATOR MVP LS2 60249497 .....	6-119
flush valve 60258222 .....	6-105
Foot pedal mark 13156069 .....	8-5
FOPS& TOPS Card 14373381 .....	8-5
Forward direction indication A820603000246 .....	8-3
Frame 12979004 .....	6-25
front air pipe 14279465 .....	7-17
Front bottom glass 60344155 .....	3-9
front defroster outlet 60248556 .....	3-27
Front left bearer 13108766 .....	7-13
Front move glass 60344154 .....	3-17
front pedal 13603234 .....	3-41
front pedal 13603237 .....	3-43

Front right bearer 13108759 .....	7-13
Front rubber strip 60344590 .....	3-15
Front window bottom rubber strip 60344593 .....	3-17
Front window frame 60344592 .....	3-17
Front window lock caution board 12052088 .....	8-3
Front window roller wheel 60344594 .....	3-17
fuel oil filter 60273107 .....	10-3
fuel outlet protective sleeve 13526615 .....	5-3
fuel pipe 13101498 .....	7-9
fuel pipe 13101500 .....	7-9
fuel pipe 13101501 .....	7-9
fuel pipe 13101502 .....	7-9
fuel pipe 13204398 .....	7-9
fuel pipe 14279268 .....	7-9
fuel system 14521042 .....	7-3
fuel tank assy 14293595 .....	7-9
fuel tank drainage tube 13473697 .....	7-9
Fuel tank indicator 13507742 .....	8-5
fuel tank 14292672 .....	7-11
Fuse Housing A241300000059 .....	4-3
G1/4(ED)-M14Connector 12877195 .....	6-85
gas spring 60309855 .....	3-33
Gas spring 60344595 .....	3-19
Gear 60171611 .....	6-113
general assembly of cab 14530129 .....	1-3
GlobeValve 60222665 .....	2-17, 6-89
grease fitting 60337293 .....	9-15
guide plate 60258182 .....	6-119
Guide ring 60017217 .....	9-29
Guide ring 60184611 .....	2-19, 2-23, 6-109
Guide ring A880803040036 .....	2-23
guide screw 12995054 .....	5-19
Guide Sleeve 13018772 .....	9-29
guide sleeve 13988940 .....	9-27
Guide Sleeve 14001508 .....	2-21
guide sleeve 14001512 .....	2-23
Guide Sleeve 14001514 .....	6-109
Guide Sleeve 14064296 .....	2-19
hand rail limit 60259923 .....	3-33, 3-37
hand rail 60259927 .....	3-33, 3-37
handing ring 12980766 .....	9-17
handle indoor 60248575 .....	3-11
handle lever 60259925 .....	3-33
Handle, left 12688927 .....	3-39
Handle 60153697 .....	10-7
Handle 60259524 .....	6-65
handle 60259924 .....	3-33
Handle 61026663 .....	6-69
heater assembly SY16 60312888 .....	6-123
High pressure grease gun B260409000015 .....	10-5
High temperature warning 13507584 .....	8-3
hinge axle 13004386 .....	5-15
hinge fixed end 13004376 .....	5-15
hinge revolving end 13004382 .....	5-15
holding valve 60240905 .....	6-75
Hoop A210855000024 .....	7-17
Horn cover 60344596 .....	3-23
Horn 60211509 .....	4-3
Hose AS 151002160023A .....	9-23
Hose AS 151003210050A .....	2-17
Hose AS 60020773 .....	6-97
Hose Assembly 60189326 .....	9-23
Hose Assembly B230103000473 .....	6-85
Hose Assembly B230103001961 .....	6-93
Hose B230103000982 .....	9-21
Hose B230103004570 .....	6-47
Hose clamp 60338984 .....	7-5



hose protective sleeve 13391350 .....	6-85
Hose, rubber B230103005853 .....	2-15
hose 12922619 .....	6-85
Hose 151003210025A .....	6-85
Hose 61030569 .....	9-21
Hose 61030570 .....	6-85
hose A831233055000 .....	6-35
Hose B230103000811 .....	6-99
Hose B230103002268 .....	6-99
Housing-Swing 60171538 .....	9-25
Housing 60171649 .....	6-113
Hydraulic motor 60305404 .....	9-31
Hydraulic oil level mark 13156024 .....	8-3
Hydraulic oil tank indicative board 13272748 .....	8-3
hydraulic valve installation plate 13458165 .....	3-3
idler Bearing 60037205 .....	6-115
Ignition switch 60218598 .....	3-37, 4-3
Inner Ring 13559404 .....	9-13
installation frame 13845264 .....	3-45
installation plate 13471149 .....	3-5
installation plate 60280426 .....	9-15
intake system 14521037 .....	7-3
Joint 60171650 .....	6-119
Joint 61026667 .....	6-69
journey switch 60250079 .....	3-33
Joystick assembly 60290374 .....	6-71
Latch 60153693 .....	10-7
Leading block 12996266 .....	9-5
Leading switch mark 13155987 .....	8-5
Leading wheel 60022088 .....	9-7
Left armrest box assembly 60223376 .....	3-3
left armrest box framework 60292211 .....	3-33
left armrest box left shell 60259922 .....	3-33
left armrest box right shell 60259921 .....	3-33
left armrest box upper cover 60259919 .....	3-33
Left back glass 60344162 .....	3-9
left covering parts component 13004758 .....	5-7
left front bottom board 13886029 .....	5-7
left hood beading 14215926 .....	5-3
Left inner plaque 60344603 .....	3-29
Left Pilot Control Valve Assembly 60242506 .....	6-33
left rear sealing board 13004808 .....	5-7
Left running frame 13795641 .....	9-11
left side beam beading 14215924 .....	5-3
left side beam component 14287469 .....	5-7
left spacing plate 13795620 .....	9-11
left tooth 12997847 .....	2-27
left widen plate 12991176 .....	9-17
Level sensor 60206742 .....	7-11
Lifting capability meter 13838054 .....	8-5
Lifting Mark 14412719 .....	8-5
limit mounting plate 13003634 .....	5-11
Limit Screw 60295058 .....	6-105
linking air pipe 13106224 .....	7-5
linking pipe 13204397 .....	7-5
Liquid Reserve Tank 60115933 .....	7-5
lock catch of door 60248551 .....	3-11
lock component 13004790 .....	5-7
lock handle from outside 60248549 .....	3-11
Lock handle 60344604 .....	3-29
lock of door 60248550 .....	3-11
lock of front window(left) 60248547 .....	3-19
lock of front window(right) 60248548 .....	3-19
Lock pin 14292009 .....	2-3
lock sleeve 13328071 .....	5-13
long hinge component 13004387 .....	5-7
Lower sealing board 12996277 .....	9-3

Lubricating graphic chart 13475295 .....	8-5
Main pipeline 14502781 .....	6-3
main valve frame 13886422 .....	6-83
Main vehicle frame 13795627 .....	9-11
mandrel 60280433 .....	9-15
Mark Diagram of Hook Point 12052087 .....	8-3
mat 60295005 .....	3-37
Mhste Housing 61016944 .....	6-67
micro seat 60282647 .....	7-7
Mirror, rear-view A229900001398 .....	3-13, 3-31
motor grease 13004797 .....	5-7
muffler tube 14279316 .....	7-15
muffler 160803000003A .....	7-15
Multi-port valve repair kit 61012267 .....	6-107
Multiple valve 60319138 .....	6-79
Name Plate 13834946 .....	8-5
Name Plate 13834945 .....	8-5
Nameplate 60171658 .....	6-61
Needle 60171559 .....	6-113
Needle 60305400 .....	9-37
new back lock rubber cover 60328545 .....	3-29
no open flame 13507819 .....	8-3
Noise marker 13146624 .....	8-5
Nut A210307000036 .....	2-3, 2-5, 2-7, 2-9, 2-13, 2-27, 9-9
Nut 23000169 .....	7-9, 7-13
NUT 60247546 .....	6-119
NUT 60247547 .....	6-119
nut 60258227 .....	6-105
Nut 60259205 .....	6-65, 6-69
Nut 60290340 .....	6-101
Nut 61026665 .....	6-69
Nut A210307000012 .....	3-35, 3-37, 6-71, 6-75
Nut A210307000014 .....	5-9
Nut A210307000015 .....	6-63, 6-71
Nut A210307000016 .....	6-89
Nut A210307000017 .....	5-5, 5-19, 6-3
Nut A210307000031 .....	2-27
Nut A210307000055 .....	3-5, 3-39, 7-5, 7-15
O RING 60164379 .....	6-115, 9-35
O RING 60164380 .....	9-35, 9-37
O RING 60164384 .....	9-35
O ring 60258170 .....	6-119
O ring 60258171 .....	6-119
O ring 60258226 .....	6-105
O ring 60290337 .....	6-101
O ring 60305432 .....	9-35
O snap ring 60305398 .....	9-37
O-ring 10.9×2.3(JISB2401) A230101000247 .....	6-85, 9-23
O-Ring A2106090000065 .....	2-23
O-ring A210609000103 .....	6-109
O-RING SEAL OR 2037 70GRA SH.A 60249507 .....	6-119
O-Ring-44.7 B230101000444 .....	6-117
O-ring 21000123 .....	6-101
O-ring 21019042 .....	6-63, 6-71
O-ring 21029124 .....	6-101
O-ring 23002753 .....	6-29
O-ring 24001035 .....	9-37
O-Ring 60162913 .....	6-103
o-ring 60241989 .....	6-105
o-ring 60247553 .....	6-119
O-RING 60259209 .....	6-105
O-Ring 61016949 .....	6-67
O-Ring 61016952 .....	6-67
O-Ring 61016957 .....	6-67
O-ring A210608000007 .....	6-63, 6-71, 6-101
O-ring A210608000020 .....	6-115
O-ring A210608000068 .....	6-97

O-ring A210608000073 .....	6-61
O-ring A210608000086 .....	2-13
O-ring A210608000097 .....	9-21
O-ring A210608000109 .....	2-21
O-ring A210608000122 .....	2-23, 9-29
O-ring A210608000153 .....	9-35
O-ring A210609000043 .....	9-27
O-ring A210609000060 .....	2-23
O-ring A210609000068 .....	2-19, 2-21, 9-29
O-ring A210609000095 .....	6-61
O-ring A210609000118 .....	2-19
O-ring A210609000134 .....	9-27
O-ring A210609000135 .....	9-27
O-ring A210609000152 .....	2-19, 2-21, 9-29
O-ring A210609000164 .....	6-109
O-ring A210609000168 .....	6-109
O-ring A210609000273 .....	7-11
O-ring B230101000036 .....	6-97
O-ring B230101000047 .....	6-7, 6-11, 6-13, 6-23, 9-21
O-ring B230101000049 .....	6-23, 6-63, 6-71, 6-87, 6-95, 9-21
O-Ring B230101000090 .....	6-97, 6-117
O-ring B230101000241 .....	6-103
O-ring B230101000356 .....	6-117, 7-11
O-ring B230101000614 .....	6-117, 9-37
O-ring B230101000638 .....	6-103
O-ring B230101000679 .....	6-101
oil collection 13096364 .....	6-15
Oil cylinder protecting board 13353002 .....	2-5
Oil Cylinder Repair Kit 60266035 .....	6-109
oil filter 60027935 .....	10-3
Oil level label 13340334 .....	8-3
Oil out steel tube 12979036 .....	6-97
Oil Pipe Component 13008607 .....	9-29
Oil radiator 60257622 .....	7-7
Oil return cover 12977018 .....	6-117
Oil Return Filter 60235351 .....	6-117
Oil sign 60240021 .....	6-117
Oil source valve repair kit 61016964 .....	6-67
Oil suction filter A222100000366 .....	6-117
Oil suction steel tube 12979001 .....	6-97
Oil suction tube 12978999 .....	6-97
oil tank 14272548 .....	6-117
oil tank 14272735 .....	6-97
Oil tube component I 13008037 .....	2-21
Oil tube component I 13008598 .....	2-19
Oil tube component II 13008039 .....	2-21
Oil tube component II 13008600 .....	2-19
Oil tube component 13008602 .....	2-23
Oil tube component 13008604 .....	2-23
Oil-water separator drain instruction 13507568 .....	8-3
One way/two way valve 13507780 .....	8-3
Outer Ring 13559405 .....	9-13
OUTLET SECTION 60259211 .....	6-105
pedal assy 13603236 .....	3-39
pedal assy 13603240 .....	3-39
pedal 13603244 .....	3-45
pendulum pedal assy 13603246 .....	3-5
pilot pipeline 13691602 .....	6-3
Pilot valve 60247936 .....	6-21
Pilot valve 60352306 .....	6-33
Pilot-control Valve 60129665 .....	6-11
Pilot-control Valve 60281974 .....	6-17
pin cylinder telescopic 13779991 .....	9-11
Pin rail 60166735 .....	3-25
Pin 60012591 .....	9-13
Pin 60078066 .....	6-115
Pin 60171542 .....	9-25

Pin 60171675 .....	6-59
Pin 60171676 .....	6-59
Pin 60171678 .....	6-115
pin 60258187 .....	6-121
Pin 60290370 .....	6-63, 6-71
Pin 60305434 .....	9-35
Pin A210491000007 .....	5-15
Pin A210491000010 .....	5-11
Pinion Shaft 60171612 .....	6-113
pintle of top thermal insulation sponge 60248586 .....	3-23
Pipe Clamp 13008028 .....	2-19, 2-21, 2-23, 9-29
Pipe Clamp 13020943 .....	9-27
Pipe connector 21002816 .....	6-13
Pipe connector 21002820 .....	6-23
Pipe connector 21002824 .....	6-97
Pipe connector 21007930 .....	6-75
Pipe connector 21011540 .....	6-11
Pipe connector 23904681 .....	6-7, 6-9, 6-11, 6-15, 6-17, 6-19, 6-21, 6-25
Pipe connector 60136966 .....	6-11
Pipe connector 60140964 .....	6-25
Pipe connector 60175301 .....	6-15, 6-21, 6-31
Pipe connector B210780000014 .....	6-9, 6-11, 6-15, 6-19, 6-25
Piston cover 60290336 .....	6-101
Piston GP 60171648 .....	6-119
Piston Rod 13388466 .....	2-21
piston rod 13388476 .....	9-27
Piston Rod 13388482 .....	6-109
Piston Rod 13782532 .....	9-29
Piston Rod 14061792 .....	2-23
Piston Rod 14064299 .....	2-19
Piston Rod 60290338 .....	6-101
Piston Rod 60290367 .....	6-63, 6-71
Piston 13018771 .....	9-29
Piston 13988939 .....	9-27
Piston 14001509 .....	2-21
Piston 14001515 .....	6-109
Piston 14064295 .....	2-19
Piston 14077817 .....	2-23
Piston 60171685 .....	6-115
piston 60258186 .....	6-121
Piston 60290343 .....	6-101
plastic cover of windscreen wiper 60248583 .....	3-21
Plastic seal A229900010008 .....	9-13
Plate 12978995 .....	6-89
Plate 12984969 .....	2-15
Plate 13106220 .....	7-5
PLATE 13208579 .....	6-75
Plate 14286754 .....	6-85
Plate 60171547 .....	6-115
platform clapboard 13004793 .....	5-7
Plug, Threaded 12355722 .....	6-109
Plug 12894151 .....	9-13
Plug 60147943 .....	6-61
PLUG 60164261 .....	9-37
PLUG 60164262 .....	9-35
Plug 60171541 .....	6-59, 9-25
Plug 60171632 .....	6-121
Plug 60171635 .....	6-105
Plug 60171636 .....	6-115
plug 60258188 .....	6-121
plug 60258217 .....	6-107
plug 60258218 .....	6-105
plug 60258228 .....	6-105
plug 60258229 .....	6-107
Plug 60282454 .....	6-103
Plug 60290333 .....	6-101
Plug 60290346 .....	6-101

Plug 60290350 .....	6-101
Plug 60290351 .....	6-101
Plug 60290356 .....	6-101
Plug 60305427 .....	9-33, 9-35
Plug 60305428 .....	9-33, 9-35
Plug 60305429 .....	9-33, 9-35
Plug 61016953 .....	6-67
Plug 61016960 .....	6-67
Plug 61016963 .....	6-67
Plunger AS 60171687 .....	6-65, 6-69
plunger assembly 60171686 .....	6-61
Plunger Motor 60185146 .....	6-111
Poppet 60290345 .....	6-101
Port plate 60171665 .....	6-115
positioning mechanism 14287487 .....	3-3
Power Harness 12988877 .....	4-3
Power line 60193169 .....	4-3
Power sign 13507767 .....	8-5
Power Supply Line 60136387 .....	4-3
Power Supply Line 60136390 .....	4-3
power supply switch bearer 13117005 .....	4-3
power system 14525199 .....	1-3
pressure compensation 60258165 .....	6-119
pressure cover 60282648 .....	7-7
Pressure Relay A240700000548 .....	6-11
Primary filter element 60023849 .....	7-19, 10-3
Proportional Electromagnetic Valve 60281431 .....	6-19
Protective sleeve 11863921 .....	6-3
Protective sleeve 12980767 .....	9-5
Protective sleeve 13036166 .....	6-123
Protective sleeve 60171688 .....	6-59
Protective sleeve A820606030917 .....	9-5
pump Repairing kit 60265430 .....	6-121
Pump 150101060024B .....	6-97
Push rod assembly 60171672 .....	6-59
Radiator 61031809 .....	7-5
Radio 61030659 .....	4-3
Read manual 13507743 .....	8-5
rear bottom seal plate 14417014 .....	5-7
rear hood beading 14215929 .....	5-3
rear hood component 13004786 .....	5-13
rear hood component 13004787 .....	5-7
rear hood left sponge 13209485 .....	5-3
Rear hood marking 13094076 .....	8-3
rear hood middle sponge 13209484 .....	5-3
rear hood right lower sponge 13209487 .....	5-3
rear hood right upper sponge 13209486 .....	5-3
Rear left bearer 13108763 .....	7-13
Rear right bearer 13108758 .....	7-13
Rear side inner plaque 60344598 .....	3-25
rearview 60166748 .....	3-9
Receptacle,Power B241000000022 .....	4-3
recruit water pipe 13106223 .....	7-5
Reducer assembly Repair kit 60265428 .....	6-111
Reducer assembly 60022059 .....	6-87
Reducer assembly 60022060 .....	9-21
Reducer hosing 61016955 .....	6-67
Reducer spool 61016954 .....	6-67
Reducer 60305393 .....	9-31
Reduction Gear 60185147 .....	6-111
Refiller valve 60275930 .....	9-15
Relay 60114652 .....	4-3
Relief valve 60171606 .....	6-115
relief valve 60258240 .....	6-107
Repair kit,handle 61026669 .....	6-69
Repair Kit 150588000006 .....	6-71
Retainer Ring 24003725 .....	2-23, 9-29

Retainer ring 60023919 .....	2-19, 2-23, 6-109
Retainer Ring 60089212 .....	2-21
Retainer ring 60290354 .....	6-101
Retainer Ring A210414000003 .....	6-63, 6-71
Retainer Ring A210414000011 .....	3-41, 3-43, 3-45
Retainer Ring A210414000114 .....	6-115
Retainer Ring A210417000045 .....	9-27
Retainer Ring A210417000107 .....	9-27
Retainer 60282452 .....	6-103
Retaining ring 60171539 .....	9-25
Retaining ring 60171543 .....	9-25
Retaining ring 60171550 .....	6-59
Retaining ring 60171551 .....	6-65, 6-69
Retaining ring 60171552 .....	6-65
Retaining ring 60171553 .....	6-65, 6-69
Retaining ring 60171630 .....	6-115
Retaining Ring 60183946 .....	2-19
revolving frame 14299489 .....	6-3
Right all inner plaque 60344599 .....	3-27
right armrest box framework 60292210 .....	3-37
right armrest box left shell 60259930 .....	3-37
Right armrest box right shell 60259929 .....	3-37
right armrest box upper cover 60259928 .....	3-37
Right armrest boxes assembly 61004019 .....	3-3
Right back inner plaque 60344601 .....	3-27
right control lever 12985868 .....	3-39
Right front inner plaque 60344600 .....	3-27
Right handle 12691132 .....	3-39
right hood beading 14215927 .....	5-3
Right running frame 13795640 .....	9-11
right side beam beading 14215928 .....	5-3
right side beam component 14287437 .....	5-7
right spacing plate 12996282 .....	9-11
right tooth 12997846 .....	2-27
right widen plate 12990925 .....	9-17
Right windows 60344159 .....	3-9
right-hand covering parts component 13004763 .....	5-9
right-hand covering parts component 13004767 .....	5-7
rigid board 13066237 .....	7-17
Ring Retaining 60035652 .....	9-27
Ring, Back-up 10250770 .....	2-23
Ring, Guide 60013716 .....	2-19, 2-21, 9-29
Ring, Retainer 24004188 .....	6-109
Ring, Retainer B229900001477 .....	9-27
Ring, retaining 11945707 .....	2-19, 2-21, 9-29
Ring, seal 10343327 .....	6-113
Ring, Wear A880803040003 .....	6-109
Ring, Wear B230101001681 .....	9-27
Ring 60305396 .....	9-37
Ring 60305431 .....	9-33, 9-35
Rocker composite element 13002023 .....	2-9
rocker switch 60306443 .....	3-37
rocker switch 60306444 .....	3-37
rocker switch 60306445 .....	3-37
Rocker 13002022 .....	2-9
ROLLER_BEARING 60247539 .....	6-119
Rolling bearing A210601000003 .....	6-115
Rotary bearing lubrication decal 14377485 .....	8-5
Rotate sealing 60171545 .....	9-25
rotating shaft 13603239 .....	3-41, 3-43
rotating shaft 13603245 .....	3-45
Rotor 60171540 .....	9-25
rubber flange 60228598 .....	6-65
Rubber hose 21030629 .....	6-85
Rubber Hose 21032373 .....	9-23
Rubber hose 21051095 .....	6-85
Rubber Hose 23001653 .....	6-95

Rubber Hose 23004473 .....	6-53
Rubber Hose 60120208 .....	6-45, 6-51
Rubber Hose 60120209 .....	6-45, 6-51
Rubber Hose 60120211 .....	6-45
Rubber Hose 60120212 .....	6-51
Rubber Hose 60120213 .....	6-45
Rubber Hose 60120214 .....	6-51
Rubber Hose 60120216 .....	6-55
Rubber Hose 60120218 .....	6-55
Rubber Hose 60120220 .....	6-55
Rubber Hose 60120221 .....	6-51, 6-55
Rubber Hose 60120222 .....	6-35
Rubber Hose 60120223 .....	6-37, 6-43
Rubber Hose 60120224 .....	6-37
Rubber Hose 60169726 .....	6-55
Rubber Hose 60227808 .....	6-95
Rubber Hose 60227809 .....	6-95
Rubber Hose 60227811 .....	6-95
Rubber Hose 60227814 .....	6-97
Rubber Hose 60227817 .....	6-37, 6-41
Rubber Hose 60238497 .....	6-43
rubber hose 60240239 .....	6-41
rubber hose 60270117 .....	6-43
Rubber hose 60323298 .....	6-43
rubber hose 60332525 .....	6-41
Rubber Hose 61013101 .....	6-91
Rubber hose A831213035000 .....	6-49
Rubber Hose A831333085800 .....	6-87
Rubber hose B230103000439 .....	2-17
Rubber hose B230103000440 .....	6-91
Rubber hose B230103000464 .....	9-21
Rubber Hose B230103000472 .....	6-87
Rubber Hose B230103000727 .....	6-49
Rubber hose B230103001456 .....	6-47
Rubber Hose B230103001864 .....	6-85
Rubber Hose B230103002720 .....	6-95
Rubber Hose B230103003046 .....	6-39, 6-47
Rubber hose B230103003289 .....	6-95
Rubber hose B230103003690 .....	6-85
Rubber Hose B230103004331 .....	6-95
Rubber hose B230103004593 .....	6-53, 6-93
Rubber hose B230103005076 .....	6-87, 6-95
Rubber hose B230103007616 .....	6-97
rubber protective sleeve component 13613296 .....	3-5
Rubber Sleeve 60238623 .....	6-65, 6-69
rubber track 60022087 .....	9-7
RubberHose 60255796 .....	6-57
run-out footplate 13845262 .....	3-5
running control mechanism 12985863 .....	3-5
Safety exit lable 13166419 .....	8-5
Safety filter element 60023848 .....	7-19
Safety hammer 60052666 .....	3-25
Safety sign - "Beware of fire 12033806 .....	8-5
SANY excavator maintenance and guarantee(English) 11826337 .....	10-3
saucer 60248553 .....	3-25
Screw A210204000354 .....	9-7
Screw m10×40din912grade 12.9 B210299000001 .....	6-119
Screw M6×55GB70.1 Grade 10.9 A210204000218 .....	2-17
Screw plug 10514225 .....	6-117, 7-11
Screw Plug 21023882 .....	2-17
Screw Plug 60082841 .....	6-61
screw plug 60241985 .....	6-105
screw plug 60242337 .....	6-105
Screw Plug A210333000010 .....	9-29
Screw Plug B210780000164 .....	6-25, 6-97
Screw plug B210780000895 .....	6-97
SCREW TCEI 60247545 .....	6-119

SCREW TCEI 60247548 .....	6-119
SCREW TCEI 60247549 .....	6-119
Screw 23000066 .....	9-5, 9-7
screw 60068691 .....	6-113
Screw 60068694 .....	9-29
Screw 60171656 .....	6-59
SCREW 60247552 .....	6-119
SCREW 60249213 .....	6-119
screw 60258167 .....	6-119
screw 60258168 .....	6-119
Screw 60259207 .....	6-65
Screw 60290373 .....	6-63, 6-71
Screw 60290376 .....	6-71
Screw A210204000007 .....	2-3
Screw A210204000116 .....	7-11
Screw A210204000122 .....	6-105
Screw A210204000129 .....	6-21
Screw A210204000130 .....	6-33
Screw A210204000134 .....	6-63, 6-71
Screw A210204000136 .....	6-77
Screw A210204000137 .....	6-89
Screw A210204000140 .....	7-5
Screw A210204000170 .....	6-75
Screw A210204000181 .....	3-31
Screw A210204000202 .....	9-27
Screw A210204000206 .....	6-87
Screw A210204000212 .....	6-119
Screw A210204000215 .....	6-85, 7-13
Screw A210204000220 .....	2-21
Screw A210204000339 .....	9-9
Screw A210206000004 .....	9-27
Screw A210208000025 .....	6-115
Screw A210210000030 .....	3-39
Screw A210214000003 .....	5-17
Screw A880801010041 .....	2-19, 2-21, 2-23, 6-109
Seal kit 13769554 .....	2-23
Seal Kit 60305439 .....	9-31
Seal Kit 60305440 .....	9-31
Seal oil 60171563 .....	6-113
seal ring 13599598 .....	2-19
Seal ring 60000924 .....	2-21
Seal ring 60017221 .....	9-29
seal ring 60035789 .....	9-27
Seal ring 60035790 .....	9-27
seal ring 60280430 .....	9-15
Seal ring 60305397 .....	9-37
Seal Ring 60350051 .....	2-21
Seal Ring 60350052 .....	2-19, 2-23, 6-109
Seal Ring 60350054 .....	2-23
Seal Ring 60350056 .....	6-109
Seal ring B230101000944 .....	2-23, 6-109
Seal Washer 60290352 .....	6-101
Seal-O-Ring 60171544 .....	9-25
Seal, KR B230101000868 .....	9-27
Seal 60258172 .....	6-119
sealer package 13028874 .....	2-21
sealer package 13029096 .....	9-27
sealer package 14071715 .....	2-19
sealing rubber strip of front window 60248532 .....	3-15
sealing sponge 12999700 .....	7-5
sealing sponge 13106217 .....	7-5
sealing sponge 13106218 .....	7-5
sealing sponge 13106228 .....	7-5
sealing sponge 14279713 .....	7-5
sealing sponge 14521291 .....	7-5
Sealing sponge 60353700 .....	7-19
seat assem 13772204 .....	3-3



seat base component sponge 13004844 .....	3-35
seat installation plate 13004843 .....	3-35
Seat safety caution board 13507746 .....	8-5
seat 130903000041A .....	3-35
Seat 60290364 .....	6-63, 6-71
Seat 60290371 .....	6-63, 6-71
Sensor adaptor of air cleaner 60026309 .....	7-17
Setscrew A810502019056 .....	5-7
sewer tube 14278820 .....	7-5
shaft 2 13003657 .....	2-7
shaft 2 14292000 .....	2-3
Shaft Sleeve 12980716 .....	2-7, 2-9, 2-13, 2-25, 9-17
Shaft Sleeve 12980735 .....	2-3
Shaft Sleeve 12980736 .....	2-25
Shaft Sleeve 13849868 .....	6-3
shaft 12980301 .....	2-13
shaft 12980310 .....	2-9
shaft 12980313 .....	2-9
shaft 12980345 .....	2-7, 2-9, 6-3, 9-9
shaft 12980395 .....	2-5, 2-7
shaft 12980748 .....	9-9
shaft 14291981 .....	2-3
shaft 14306567 .....	2-3
shaft 23002615 .....	6-115
shaft 24004285 .....	9-13
Shaft 60171670 .....	6-115
shaft 60258184 .....	6-119
Shock Pad 60260924 .....	7-13
Shoe 60171560 .....	6-115
Shoulder Washer Cylinder Block 60171643 .....	6-119
Slewing Bearing 13559406 .....	9-5
SLIDE RING 60216962 .....	9-37
Sliding Bearing 60350057 .....	2-21
Sliding Bearing 60350058 .....	2-19, 2-23, 6-109
snap ring 60258173 .....	6-119
snap ring 60258174 .....	6-119
Snap ring 60305403 .....	9-37
Snap ring 60305406 .....	9-37
Socket 24×12.5GB3390.1 A260401010051 .....	10-5
Socket 60001295 .....	10-5
Socket A260401010025 .....	10-5
Socket A260401010027 .....	10-5
Socket A260401010029 .....	10-5
Socket A260401010063 .....	10-5
Soffietto Circolare 60221098 .....	6-65, 6-69
soft pipe 13103543 .....	7-17
Solenoid coil 60282451 .....	6-103
Solenoid valve 61025255 .....	6-73
Spacer 13000200 .....	2-3, 2-5, 2-7, 2-9, 2-11, 6-3, 9-9
Spacer 13000222 .....	2-3
Spacer 13000255 .....	2-13
Spacer 61016958 .....	6-67
Spacer 61016962 .....	6-67
Spacer A820102010779 .....	2-3
Spanner, adjustable A260401040004 .....	10-5
Spanner, belt B260401090024 .....	10-5
Spanner, double-ended A260401030005 .....	10-5
Spanner, double-ended A260401030007 .....	10-5
Speaker 60023703 .....	3-11
Spherical separators 60217333 .....	9-13
splined ring 60258176 .....	6-119
Splined Sleeve 60171646 .....	6-115
Split flow gear pump 60166393 .....	6-123
sponge SSY004963837 .....	3-7
Spool Guide 60171597 .....	6-59
Spool 60171582 .....	6-61
Spool 60171583 .....	6-65, 6-69

Spool 60171585 .....	6-105
Spool 60171586 .....	6-105
Spool 60171594 .....	6-105
Spool 60171596 .....	6-107
spool 60258219 .....	6-105
spool 60258220 .....	6-105
Spool 60258233 .....	6-105
spool 60258235 .....	6-105
Spool 60282448 .....	6-103
Spool 60290347 .....	6-101
Spool 60290355 .....	6-101
Spool 60290360 .....	6-63, 6-71
Spool 60305419 .....	9-33, 9-35
Spool 60305422 .....	9-33, 9-35
Spool 60305423 .....	9-33, 9-35
Spool 60305436 .....	6-105
Spool 60305438 .....	6-105
Spool 61012264 .....	6-105
Spool 61012265 .....	6-105
Spool 61012266 .....	6-105
Spring guide 60305421 .....	9-33, 9-35
Spring Pin 60171625 .....	6-115
spring plate 60280427 .....	9-15
Spring seat 60171627 .....	6-105
Spring seat 60171629 .....	6-105
Spring V1 60305424 .....	9-33, 9-35
Spring V2 60305425 .....	9-33, 9-35
Spring V3 60305426 .....	9-33, 9-35
Spring washer 60290361 .....	6-63, 6-71
Spring YA1.2×6×22GB2089-94 A210616000014 .....	6-115
spring 60171024 .....	6-115
Spring 60171613 .....	6-61
Spring 60171614 .....	6-61
Spring 60171615 .....	6-105
Spring 60171616 .....	6-105
Spring 60171619 .....	6-65, 6-69
Spring 60171623 .....	6-119
SPRING 60221100 .....	6-65, 6-69
spring 60258180 .....	6-119
Spring 60258225 .....	6-105
spring 60258230 .....	6-105
spring 60280428 .....	9-15
Spring 60282450 .....	6-103
Spring 60290335 .....	6-101
Spring 60290344 .....	6-101
Spring 60290349 .....	6-101
Spring 60290353 .....	6-101
Spring 60290362 .....	6-63, 6-71
Spring 60290363 .....	6-63, 6-71
Spring 61016951 .....	6-67
Spring 61016959 .....	6-67
Spring 61016961 .....	6-67
Steel Ball φ10GB308-89 A210661000022 .....	9-25
Steel ball 60171567 .....	6-59
Steel Ball 60217334 .....	9-13
Steel Ball A210661000015 .....	2-19, 2-21, 2-23, 9-29
Steel Ball A210661000016 .....	6-109, 9-27
Steel Pipe Assy 12979090 .....	2-15
Steel Pipe Assy 12979092 .....	2-15
Steel Pipe Assy 12979094 .....	2-15
Steel Pipe Assy 12979096 .....	2-15
Steel Pipe Assy 12979098 .....	2-15
Steel-wire retainer ring 60290366 .....	6-63, 6-71
Stud Ends 23000531 .....	6-27, 6-93, 6-95, 9-19
Stud Straight Connector B210780000175 .....	6-9
Stud Straight Connector B210780000823 .....	6-9, 6-15, 6-17, 6-19, 6-21, 6-25
suction hose 13105572 .....	6-97

Support of rearview mirror (1) 60166737 .....	3-13, 3-31
Support of rearview mirror (2) 60166738 .....	3-13, 3-31
Support, left 60153665 .....	10-7
Support, right 60153654 .....	10-7
support 14336264 .....	2-3
swash plate support 60258177 .....	6-119
swash plate support 60258178 .....	6-119
swash plate 60258181 .....	6-119
Swashplate 60171680 .....	6-115
Swing holder 60290372 .....	6-63, 6-71
Swivel Reducing Straight Adapter B210780001391 .....	6-7
SY16 left movable arm marking 13792522 .....	8-3
SY16 right movable arm marking 13792523 .....	8-5
SY16C3Y5W Engine parts catalog 14529829 .....	10-3
SY16C3Y5W Spare parts drawing volume 14529809 .....	10-3
SY18 left bodymarking 13910851 .....	8-3
SY18 right bodymarking 13910856 .....	8-5
SY18C3Y5W Loading Information 14530004 .....	10-3
SY18C3Y5W Maintenance Manual 14529997 .....	10-3
SY18C3Y5W Operation Manual 14530001 .....	10-3
T seal ring 60147510 .....	2-19, 2-21, 9-29
Taper Hole Plug 60235514 .....	6-79
Tensioning device repair kit 60275931 .....	9-15
Tensioning Equipment 60022091 .....	9-7
Terminal Assembly,Battery,Negative 60013321 .....	4-3
Terminal Assembly,Battery,Positive 60013322 .....	4-3
The deflection cylinder decals 14142123 .....	8-5
Thread seat A820199000364 .....	2-5
three-way joint 13699488 .....	6-123
Throat collar A210855000010 .....	6-97
throttle guy assembly 61031627 .....	7-9
throttle handle 60259934 .....	3-37
throttle rod 60259935 .....	3-37
Thrust plate 60171566 .....	6-113, 6-115
Thrust plate 60305399 .....	9-37
Thrust washer 60305405 .....	9-37
Toolbox, portable A290000000155 .....	10-5
Top glass 60344156 .....	3-9
Top sponge 60344597 .....	3-23
TORQUE LIMITER PUMP MVP 60249498 .....	6-119
torque limiter 60258175 .....	6-119
toxic 13507855 .....	8-3
track roller 12934830 .....	9-7
transitional joint 13699569 .....	6-123
Transmission & shock mitigation system 13014703 .....	7-3
Travel Device SSY004609595 .....	1-3
Tray 60153827 .....	10-7
U ring 60290369 .....	6-63, 6-71
underage pipe 13784011 .....	9-11
Universal joint 60171674 .....	6-65
Universal joint 61026666 .....	6-69
up handle 60248577 .....	3-29
up seal plate 14521290 .....	7-5
upper cover anchor 60259920 .....	3-33, 3-37
Upper cover 60153777 .....	10-7
Upper structure assembly (EU cab) 14530403 .....	1-3
upper water pipe 14279343 .....	7-5
vacuator valve 60257620 .....	7-19
Valve block 61025256 .....	6-73
valve installation component 13004851 .....	3-5
valve plate 60258183 .....	6-119
Valve pocket 60290342 .....	6-101
Valve pocket 60290359 .....	6-63, 6-71
Valve, relief 60171604 .....	6-105
Valve, shuttle, tee B220400000169 .....	6-11
Valve A2299000000882 .....	7-9
Vehical Body Harness 13836812 .....	4-3

wall lamp 60248555 .....	3-29
warm air system 13878626 .....	6-3
Washer A210404000003 .....	5-19
Washer A210491000121 .....	2-5, 7-15
washer 11578416 .....	6-59
washer 13469025 .....	2-19, 2-21, 2-23, 9-29
Washer 24000632 .....	2-17, 3-5, 6-77, 7-9, 7-13
Washer 24000633 .....	2-15, 3-3, 3-5, 3-35, 3-39, 5-5, 5-7, 6-5, 6-15, 6-25, 6-83, 6-89, 6-97, 6-117, 6-123, 7-5, 7-9, 7-15, 7-17, 9-3, 9-9, 9-11
Washer 24000637 .....	3-37, 6-11, 6-97, 9-3, 9-11, 9-23
Washer 24000639 .....	2-27, 5-5, 5-15, 6-87, 6-97, 9-5, 9-7, 9-11
Washer 60060546 .....	5-5, 7-13
Washer 60060562 .....	3-39
Washer 60060564 .....	6-17, 6-21, 6-33
Washer 60060565 .....	3-3, 5-5
Washer 60238781 .....	6-5
washer 60258169 .....	6-119
washer 60258223 .....	6-105
Washer 60290348 .....	6-101
Washer 60290365 .....	6-63, 6-71
Washer A210401000001 .....	9-27
Washer A210401000017 .....	7-11
Washer A210404000005 .....	5-11
Washer A210405000004 .....	5-9
Washer A210405000005 .....	7-11
Washer A210405000006 .....	4-3, 5-13, 7-5
Washer A210405000007 .....	4-3, 5-13, 7-11
Washer A210434000007 .....	6-109, 9-29
Washer A210491000120 .....	2-5, 7-5, 7-9, 7-13
water pipe 13763910 .....	6-123
water_out_joint 13055186 .....	7-9
watering pipe 14279427 .....	7-5
wind hook component 13003583 .....	5-11
wind hook installation component 13003635 .....	5-7
wind hook sliding chute 13106122 .....	5-13
windscreen wiper assembly 60248560 .....	3-19
wiper arm 60248561 .....	3-21
wiper motor 60248562 .....	3-21
Wire Clamp 60086353 .....	7-5, 9-23
Work device Tube 13004976 .....	2-5
work device 14529563 .....	1-3
Work Lamp 60143661 .....	4-3
Wrench rachet A260401090010 .....	10-5
Wrench, Allen 8RGB5356 A260401020011 .....	10-5
Wrench, allen A260401020004 .....	10-5
Wrench, allen A260401020009 .....	10-5
Wrench, allen A260401020010 .....	10-5
Wrench, box end A260401030100 .....	10-5

# Appendix B Numerical Index

10124614 Caution plate of bucket rod .....	8-3
10250770 Ring, Back-up .....	2-23
10343327 Ring, seal .....	6-113
10514225 Screw plug .....	6-117, 7-11
10680534 Block circle .....	6-113
11287446 Connector .....	6-87, 6-95, 9-21
11578416 washer .....	6-59
11715474 Bush .....	2-19, 2-21, 2-23, 6-109, 9-27, 9-29
11718941 Bumper Sleeve .....	6-109
11826337 SANY excavator maintenance and guarantee(English) .....	10-3
11863921 Protective sleeve .....	6-3
11945707 Ring, retaining .....	2-19, 2-21, 9-29
12033806 Safety sign - "Beware of fire" .....	8-5
12052087 Mark Diagram of Hook Point .....	8-3
12052088 Front window lock caution board .....	8-3
12355722 Plug, Threaded .....	6-109
12688927 Handle, left .....	3-39
12691132 Right handle .....	3-39
12877195 G1/4(ED)-M14Connector .....	6-85
12894151 Plug .....	9-13
12922619 hose .....	6-85
12934830 track roller .....	9-7
12964396 counterweight .....	6-5
12977018 Oil return cover .....	6-117
12978957 Connector .....	6-81
12978967 Connector .....	6-81
12978969 Connector .....	6-81
12978970 Connector .....	6-81
12978973 Connector .....	6-79
12978975 Connector .....	6-79
12978983 Connector .....	6-79
12978987 Connector .....	6-81
12978988 Connector .....	6-79, 6-81
12978991 Connector .....	6-95
12978995 Plate .....	6-89
12978999 Oil suction tube .....	6-97
12979001 Oil suction steel tube .....	6-97
12979004 Frame .....	6-25
12979036 Oil out steel tube .....	6-97
12979090 Steel Pipe Assy .....	2-15
12979092 Steel Pipe Assy .....	2-15
12979094 Steel Pipe Assy .....	2-15
12979096 Steel Pipe Assy .....	2-15
12979098 Steel Pipe Assy .....	2-15
12979144 flang .....	6-117
12979224 Clamp .....	2-15
12979225 Clamp .....	2-15
12979226 Clamp .....	2-15
12980301 shaft .....	2-13
12980310 shaft .....	2-9
12980313 shaft .....	2-9
12980345 shaft .....	2-7, 2-9, 6-3, 9-9
12980395 shaft .....	2-5, 2-7
12980716 Shaft Sleeve .....	2-7, 2-9, 2-13, 2-25, 9-17
12980735 Shaft Sleeve .....	2-3
12980736 Shaft Sleeve .....	2-25
12980748 shaft .....	9-9
12980766 handing ring .....	9-17
12980767 Protective sleeve .....	9-5
12984969 Plate .....	2-15
12985863 running control mechanism .....	3-5
12985867 control lever .....	3-39

12985868 right control lever .....	3-39
12988877 Power Harness .....	4-3
12989395 bulldozing shovel main body .....	9-17
12990925 right widen plate .....	9-17
12991176 left widen plate .....	9-17
12995001 fixed plate .....	4-3
12995053 battery fixed plate .....	5-19
12995054 guide screw .....	5-19
12995055 battery fixed component .....	5-3
12996254 Crawler pallet .....	9-5
12996266 Leading block .....	9-5
12996269 Cover Plate .....	9-3
12996277 Lower sealing board .....	9-3
12996282 right spacing plate .....	9-11
12997846 right tooth .....	2-27
12997847 left tooth .....	2-27
12997848 bucket tooth .....	2-27
12997849 Buck .....	2-13
12997862 Bucket body .....	2-27
12997893 ARM .....	2-7
12999617 bulldozing shovel oil cylinder plate .....	9-9
12999700 sealing sponge .....	7-5
13000200 Spacer .....	2-3, 2-5, 2-7, 2-9, 2-11, 6-3, 9-9
13000222 Spacer .....	2-3
13000255 Spacer .....	2-13
13001974 Boom .....	2-5
13002022 Rocker .....	2-9
13002023 Rocker composite element .....	2-9
13002029 Connecting Rod .....	2-25
13003583 wind hook component .....	5-11
13003634 limit mounting plate .....	5-11
13003635 wind hook installation component .....	5-7
13003657 shaft 2 .....	2-7
13003719 covering parts support .....	5-7
13004265 damper lower backup plate .....	3-3, 5-7
13004371 engine compartment front cover plate inner sponge .....	5-3
13004372 engine compartment front cover plate .....	5-7
13004376 hinge fixed end .....	5-15
13004382 hinge revolving end .....	5-15
13004386 hinge axle .....	5-15
13004387 long hinge component .....	5-7
13004758 left covering parts component .....	5-7
13004763 right-hand covering parts component .....	5-9
13004766 dust-proof net component .....	5-9
13004767 right-hand covering parts component .....	5-7
13004786 rear hood component .....	5-13
13004787 rear hood component .....	5-7
13004790 lock component .....	5-7
13004793 platform clapboard .....	5-7
13004797 motor grease .....	5-7
13004808 left rear sealing board .....	5-7
13004843 seat installation plate .....	3-35
13004844 seat base component sponge .....	3-35
13004851 valve installation component .....	3-5
13004976 Work device Tube .....	2-5
13008028 Pipe Clamp .....	2-19, 2-21, 2-23, 9-29
13008037 Oil tube component I .....	2-21
13008039 Oil tube component II .....	2-21
13008312 Cylinder Drum Component .....	9-27
13008473 Bumper Sleeve .....	2-21
13008598 Oil tube component I .....	2-19
13008600 Oil tube component II .....	2-19
13008602 Oil tube component .....	2-23
13008604 Oil tube component .....	2-23
13008607 Oil Pipe Component .....	9-29
13009761 counter weight .....	6-3
13010965 Bucket Oil Cylinder .....	2-15

13011010 Bulldozing shovel oil cylinder .....	9-23
13011011 Bucket Oil Cylinder .....	6-85
13014703 Transmission & shock mitigation system .....	7-3
13018654 Cylinder Assem. ....	2-21
13018771 Piston .....	9-29
13018772 Guide Sleeve .....	9-29
13018783 Cylinder Assem. ....	2-19
13019452 Cylinder Assem. ....	2-23
13019509 Cylinder assem. ....	9-29
13020799 Cylinder assem. ....	9-27
13020943 Pipe Clamp .....	9-27
13021419 Cylinder Assem. ....	6-109
13028874 sealer package .....	2-21
13029096 sealer package .....	9-27
13034624 clip .....	6-5
13036166 Protective sleeve .....	6-123
13055186 water_out_joint .....	7-9
13066237 rigid board .....	7-17
13066238 adaptor .....	7-17
130903000041A seat .....	3-35
13094076 Rear hood marking .....	8-3
13094087 Counterweight reflective coating .....	8-3
13096364 oil collection .....	6-15
13100584 cleaning flange cap .....	7-11
13101496 accelerator rocker .....	7-9
13101498 fuel pipe .....	7-9
13101499 accelerator support .....	7-9
13101500 fuel pipe .....	7-9
13101501 fuel pipe .....	7-9
13101502 fuel pipe .....	7-9
13103541 Anchor Ear .....	7-15
13103543 soft pipe .....	7-17
13105572 suction hose .....	6-97
13106122 wind hook sliding chute .....	5-13
13106217 sealing sponge .....	7-5
13106218 sealing sponge .....	7-5
13106220 Plate .....	7-5
13106223 recruit water pipe .....	7-5
13106224 linking air pipe .....	7-5
13106228 sealing sponge .....	7-5
13108751 flange .....	7-13
13108752 bend column .....	7-13
13108758 Rear right bearer .....	7-13
13108759 Front right bearer .....	7-13
13108763 Rear left bearer .....	7-13
13108766 Front left bearer .....	7-13
13117005 power supply switch bearer .....	4-3
13146624 Noise marker .....	8-5
13155987 Leading switch mark .....	8-5
13156024 Hydraulic oil level mark .....	8-3
13156069 Foot pedal mark .....	8-5
13166419 Safety exit lable .....	8-5
13166446 Fixed loading spot mark .....	8-3
13166740 Accumulator decal .....	8-5
13204397 linking pipe .....	7-5
13204398 fuel pipe .....	7-9
13208579 PLATE .....	6-75
13209484 rear hood middle sponge .....	5-3
13209485 rear hood left sponge .....	5-3
13209486 rear hood right upper sponge .....	5-3
13209487 rear hood right lower sponge .....	5-3
13234045 Crawler telescopic and bulldozing shovel decal .....	8-3
13272748 Hydraulic oil tank indicative board .....	8-3
13303621 filter drainage tube .....	7-9
13328071 lock sleeve .....	5-13
13340334 Oil level label .....	8-3
13353002 Oil cylinder protecting board .....	2-5

13369997 emergency stop switch bracket .....	4-3
13388466 Piston Rod .....	2-21
13388476 piston rod .....	9-27
13388482 Piston Rod .....	6-109
13391350 hose protective sleeve .....	6-85
13400542 file case sealant strip .....	5-17
13400543 file case .....	5-7
13400544 file case main body .....	5-17
13458165 hydraulic valve installation plate .....	3-3
13458166 bulldozing shovel valve installation plate .....	3-3
13469025 washer .....	2-19, 2-21, 2-23, 9-29
13471149 installation plate .....	3-5
13473697 fuel tank drainage tube .....	7-9
13475295 Lubricating graphic chart .....	8-5
13504946 Emergency Stop Switch .....	8-5
13507562 Control instruction .....	8-5
13507565 Fan warning .....	8-3
13507568 Oil-water separator drain instruction .....	8-3
13507584 High temperature warning .....	8-3
13507742 Fuel tank indicator .....	8-5
13507743 Read manual .....	8-5
13507746 Seat safety caution board .....	8-5
13507767 Power sign .....	8-5
13507780 One way/two way valve .....	8-3
13507819 no open flame .....	8-3
13507822 Counter rotating rollers .....	8-3
13507855 toxic .....	8-3
13509503 be care of steam .....	8-3
13526615 fuel outlet protective sleeve .....	5-3
13532356 Clamp .....	2-15
13559404 Inner Ring .....	9-13
13559405 Outer Ring .....	9-13
13559406 Slewing Bearing .....	9-5
13599598 seal ring .....	2-19
13603234 front pedal .....	3-41
13603235 back pedal .....	3-41
13603236 pedal assy .....	3-39
13603237 front pedal .....	3-43
13603238 back pedal .....	3-43
13603239 rotating shaft .....	3-41, 3-43
13603240 pedal assy .....	3-39
13603244 pedal .....	3-45
13603245 rotating shaft .....	3-45
13603246 pendulum pedal assy .....	3-5
13603282 Connector .....	6-95
13613296 rubber protective sleeve component .....	3-5
13691602 pilot pipeline .....	6-3
13698959 electronic plate .....	4-3
13699488 three-way joint .....	6-123
13699569 transitional joint .....	6-123
13702967 cab bottom board component .....	3-3
13703066 cab right front bottom board component .....	3-3
13703085 cab base right front sponge .....	3-7
13703086 cab base lower sponge .....	3-7
13703087 cab base sponge .....	3-7
13703088 cab base left lower sponge .....	3-7
13703089 cab base back lower sponge .....	3-7
13703090 cab base right lower sponge .....	3-7
13703091 cab base left armbox lower sponge .....	3-7
13703092 cab base back sponge .....	3-7
13703093 cab base front sponge .....	3-7
13703218 cab base back sponge .....	3-7
13706703 cab bottom board pad .....	3-3
13738816 cab back marking .....	8-3
13763910 water pipe .....	6-123
13764909 Bucket Oil Cylinder .....	2-17
13769554 Seal kit .....	2-23



13772204 seat assem .....	3-3
13779991 pin cylinder telescopic .....	9-11
13782527 Bucket Oil Cylinder .....	9-23
13782532 Piston Rod .....	9-29
13784011 underage pipe .....	9-11
13792522 SY16 left movable arm marking .....	8-3
13792523 SY16 right movable arm marking .....	8-5
13795620 left spacing plate .....	9-11
13795627 Main vehicle frame .....	9-11
13795640 Right running frame .....	9-11
13795641 Left running frame .....	9-11
13795643 expansion oil cylinder plate .....	9-11
13818808 damper lock washer .....	3-3
13834945 Name Plate .....	8-5
13834946 Name Plate .....	8-5
13836439 Cab's harness .....	4-3
13836812 Vehical Body Harness .....	4-3
13838054 Lifting capability meter .....	8-5
13838131 Electrical assembly drawing .....	1-3
13845262 run-out footplate .....	3-5
13845264 installation frame .....	3-45
13849868 Shaft Sleeve .....	6-3
13878626 warm air system .....	6-3
13886029 left front bottom board .....	5-7
13886422 main valve frame .....	6-83
13902060 coating .....	1-3
13910851 SY18 left bodymarking .....	8-3
13910856 SY18 rightt bodymarking .....	8-5
13988939 Piston .....	9-27
13988940 guide sleeve .....	9-27
14001508 Guide Sleeve .....	2-21
14001509 Piston .....	2-21
14001512 guide sleeve .....	2-23
14001514 Guide Sleeve .....	6-109
14001515 Piston .....	6-109
14042474 Accompanying tools .....	10-3
14061792 Piston Rod .....	2-23
14064295 Piston .....	2-19
14064296 Guide Sleeve .....	2-19
14064297 Bucket Oil Cylinder .....	2-15
14064299 Piston Rod .....	2-19
14071715 sealer package .....	2-19
14077817 Piston .....	2-23
14099976 Control Switch Harness .....	4-3
14142123 The deflection cylinder decals .....	8-5
14158506 cover .....	2-5
14215924 left side beam beading .....	5-3
14215926 left hood beading .....	5-3
14215927 right hood beading .....	5-3
14215928 right side beam beading .....	5-3
14215929 rear hood beading .....	5-3
14242955 bracket .....	3-5
14272548 oil tank .....	6-117
14272735 oil tank .....	6-97
14278820 sewer tube .....	7-5
14279268 fuel pipe .....	7-9
14279316 muffler tube .....	7-15
14279343 upper water pipe .....	7-5
14279427 watering pipe .....	7-5
14279453 Clamp assembly .....	7-17
14279465 front air pipe .....	7-17
14279468 back air pipe .....	7-17
14279713 sealing sponge .....	7-5
14280148 connect plate .....	7-5
14286753 Clamp .....	6-85
14286754 Plate .....	6-85
14287431 covering parts left lower plate .....	5-7

14287437 right side beam component .....	5-7
14287469 left side beam component .....	5-7
14287487 positioning mechanism .....	3-3
14291981 shaft .....	2-3
14292000 shaft 2 .....	2-3
14292009 Lock pin .....	2-3
14292672 fuel tank .....	7-11
14293595 fuel tank assy .....	7-9
14299489 revolving frame .....	6-3
14299940 Cross pin seat .....	9-5
14306567 shaft .....	2-3
14336264 support .....	2-3
14373381 FOPS& TOPS Card .....	8-5
14377485 Rotary bearing lubrication decal .....	8-5
14412719 Lifting Mark .....	8-5
14416235 decal .....	8-5
14417014 rear bottom seal plate .....	5-7
14502781 Main pipeline .....	6-3
14518193 cover plate .....	9-3
14521034 exhaust system .....	7-3
14521037 intake system .....	7-3
14521042 fuel system .....	7-3
14521290 up seal plate .....	7-5
14521291 sealing sponge .....	7-5
14521694 cool system .....	7-3
14525199 power system .....	1-3
14529563 work device .....	1-3
14529809 SY16C3Y5W Spare parts drawing volume .....	10-3
14529829 SY16C3Y5W Engine parts catalog .....	10-3
14529997 SY18C3Y5W Maintenance Manual .....	10-3
14530001 SY18C3Y5W Operation Manual .....	10-3
14530004 SY18C3Y5W Loading Information .....	10-3
14530129 general assembly of cab .....	1-3
14530287 cab covering parts component .....	1-3
14530288 cab covering parts subassembly .....	5-3
14530403 Upper structure assembly (EU cab) .....	1-3
14530406 Accessories(EU) .....	1-3
150101060024B Pump .....	6-97
150588000006 Repair Kit .....	6-71
151002160023A Hose AS .....	9-23
151003210025A Hose .....	6-85
151003210050A Hose AS .....	2-17
160802020052A fan .....	7-5
160803000003A muffler .....	7-15
21000123 O-ring .....	6-101
21002815 Fitting .....	6-7, 6-23
21002816 Pipe connector .....	6-13
21002820 Pipe connector .....	6-23
21002824 Pipe connector .....	6-97
21002840 Fitting .....	6-85
21005186 Bolt .....	6-97
21007930 Pipe connector .....	6-75
21011540 Pipe connector .....	6-11
21019042 O-ring .....	6-63, 6-71
21023882 Screw Plug .....	2-17
21029124 O-ring .....	6-101
21030629 Rubber hose .....	6-85
21032373 Rubber Hose .....	9-23
21051095 Rubber hose .....	6-85
23000066 Screw .....	9-5, 9-7
23000169 Nut .....	7-9, 7-13
23000531 Stud Ends .....	6-27, 6-93, 6-95, 9-19
23001653 Rubber Hose .....	6-95
23002615 shaft .....	6-115
23002753 O-ring .....	6-29
23004473 Rubber Hose .....	6-53
23904681 Pipe connector .....	6-7, 6-9, 6-11, 6-15, 6-17, 6-19, 6-21, 6-25

23990449 Carter seal O-ring .....	6-113
24000292 Bolt M12×25GB5783 dacrotizing .....	2-5
24000632 Washer .....	2-17, 3-5, 6-77, 7-9, 7-13
24000633 Washer .....	2-15, 3-3, 3-5, 3-35, 3-39, 5-5, 5-7, 6-5, 6-15, 6-25, 6-83, 6-89, 6-97, 6-117, 6-123, 7-5, 7-9, 7-15, 7-17, 9-3, 9-9, 9-11
24000637 Washer .....	3-37, 6-11, 6-97, 9-3, 9-11, 9-23
24000639 Washer .....	2-27, 5-5, 5-15, 6-87, 6-97, 9-5, 9-7, 9-11
24001035 O-ring .....	9-37
24003609 Fitting, Adapter .....	6-29
24003725 Retainer Ring .....	2-23, 9-29
24004188 Ring, Retainer .....	6-109
24004285 shaft .....	9-13
60000924 Seal ring .....	2-21
60001289 Fire Extinguisher .....	3-25
60001295 Socket .....	10-5
60012591 Pin .....	9-13
60013321 Terminal Assembly,Battery,Negative .....	4-3
60013322 Terminal Assembly,Battery,Positive .....	4-3
60013716 Ring, Guide .....	2-19, 2-21, 9-29
60017217 Guide ring .....	9-29
60017221 Seal ring .....	9-29
60017230 Air Filter Assembly .....	7-17
60020773 Hose AS .....	6-97
60021999 Clamp, T-bolt .....	7-17
60022059 Reducer assembly .....	6-87
60022060 Reducer assembly .....	9-21
60022083 Driving wheel .....	9-7
60022087 rubber track .....	9-7
60022088 Leading wheel .....	9-7
60022091 Tensioning Equipment .....	9-7
60022417 Center Swivel Joint .....	9-19
60022526 Dust ring .....	2-7, 2-9, 2-11, 2-13, 2-19, 2-21, 2-23, 6-109, 9-9, 9-27, 9-29
60022527 Dust Ring .....	2-3
60023703 Speaker .....	3-11
60023704 Antenna .....	3-11
60023848 Safety filter element .....	7-19
60023849 Primary filter element .....	7-19, 10-3
60023919 Retainer ring .....	2-19, 2-23, 6-109
60026309 Sensor adaptor of air cleaner .....	7-17
60027935 oil filter .....	10-3
60035652 Ring Retaining .....	9-27
60035658 Bushing .....	9-27
60035789 seal ring .....	9-27
60035790 Seal ring .....	9-27
60037205 idler Bearing .....	6-115
60041997 Accessories Box .....	10-3
60042090 Dust ring .....	9-29
60052666 Safety hammer .....	3-25
60060546 Washer .....	5-5, 7-13
60060562 Washer .....	3-39
60060564 Washer .....	6-17, 6-21, 6-33
60060565 Washer .....	3-3, 5-5
60066402 Battery .....	4-3
60068691 screw .....	6-113
60068694 Screw .....	9-29
60078066 Pin .....	6-115
60082841 Screw Plug .....	6-61
60083322 Clamp .....	4-3
60086353 Wire Clamp .....	7-5, 9-23
60086354 Clamp .....	4-3, 7-9
60086355 Fixity of Line .....	4-3
60086356 Clamp .....	4-3
60086357 Clamp .....	6-55, 7-5
60089212 Retainer Ring .....	2-21
60114652 Relay .....	4-3

60115933 Liquid Reserve Tank .....	7-5
60120208 Rubber Hose .....	6-45, 6-51
60120209 Rubber Hose .....	6-45, 6-51
60120211 Rubber Hose .....	6-45
60120212 Rubber Hose .....	6-51
60120213 Rubber Hose .....	6-45
60120214 Rubber Hose .....	6-51
60120216 Rubber Hose .....	6-55
60120218 Rubber Hose .....	6-55
60120220 Rubber Hose .....	6-55
60120221 Rubber Hose .....	6-51, 6-55
60120222 Rubber Hose .....	6-35
60120223 Rubber Hose .....	6-37, 6-43
60120224 Rubber Hose .....	6-37
60129665 Pilot-control Valve .....	6-11
60136387 Power Supply Line .....	4-3
60136390 Power Supply Line .....	4-3
60136966 Pipe connector .....	6-11
60140964 Pipe connector .....	6-25
60141820 Cross recessed pan head tapping screws .....	6-61
60143661 Work Lamp .....	4-3
60147510 T seal ring .....	2-19, 2-21, 9-29
60147943 Plug .....	6-61
60153654 Support, right .....	10-7
60153665 Support, left .....	10-7
60153693 Latch .....	10-7
60153697 Handle .....	10-7
60153713 Base .....	10-7
60153777 Upper cover .....	10-7
60153827 Tray .....	10-7
60162913 O-Ring .....	6-103
60164220 FILTER .....	6-115
60164261 PLUG .....	9-37
60164262 PLUG .....	9-35
60164379 O RING .....	6-115, 9-35
60164380 O RING .....	9-35, 9-37
60164384 O RING .....	9-35
60166393 Split flow gear pump .....	6-123
60166735 Pin rail .....	3-25
60166737 Support of rearview mirror (1) .....	3-13, 3-31
60166738 Support of rearview mirror (2) .....	3-13, 3-31
60166748 rearview .....	3-9
60169726 Rubber Hose .....	6-55
60171024 spring .....	6-115
60171538 Housing-Swing .....	9-25
60171539 Retaining ring .....	9-25
60171540 Rotor .....	9-25
60171541 Plug .....	6-59, 9-25
60171542 Pin .....	9-25
60171543 Retaining ring .....	9-25
60171544 Seal-O-Ring .....	9-25
60171545 Rotate sealing .....	9-25
60171547 Plate .....	6-115
60171550 Retaining ring .....	6-59
60171551 Retaining ring .....	6-65, 6-69
60171552 Retaining ring .....	6-65
60171553 Retaining ring .....	6-65, 6-69
60171559 Needle .....	6-113
60171560 Shoe .....	6-115
60171561 Clamp ring .....	6-113
60171563 Seal oil .....	6-113
60171564 Carrier .....	6-113
60171566 Thrust plate .....	6-113, 6-115
60171567 Steel ball .....	6-59
60171571 Check valve .....	6-115
60171572 Body of valve .....	6-61
60171574 Body of valve .....	6-105

60171575 Body of valve .....	6-105
60171576 Body of valve .....	6-105
60171577 Body of valve .....	6-107
60171579 Body of valve .....	6-65, 6-69
60171582 Spool .....	6-61
60171583 Spool .....	6-65, 6-69
60171585 Spool .....	6-105
60171586 Spool .....	6-105
60171594 Spool .....	6-105
60171596 Spool .....	6-107
60171597 Spool Guide .....	6-59
60171604 Valve, relief .....	6-105
60171606 Relief valve .....	6-115
60171610 Bearing bushing .....	6-113
60171611 Gear .....	6-113
60171612 Pinion Shaft .....	6-113
60171613 Spring .....	6-61
60171614 Spring .....	6-61
60171615 Spring .....	6-105
60171616 Spring .....	6-105
60171619 Spring .....	6-65, 6-69
60171623 Spring .....	6-119
60171625 Spring Pin .....	6-115
60171627 Spring seat .....	6-105
60171629 Spring seat .....	6-105
60171630 Retaining ring .....	6-115
60171632 Plug .....	6-121
60171635 Plug .....	6-105
60171636 Plug .....	6-115
60171637 Cover .....	6-105
60171638 Cover .....	6-105
60171642 Cylinder body .....	6-115
60171643 Shoulder Washer Cylinder Block .....	6-119
60171644 Fixed plate .....	6-59
60171646 Splined Sleeve .....	6-115
60171648 Piston GP .....	6-119
60171649 Housing .....	6-113
60171650 Joint .....	6-119
60171656 Screw .....	6-59
60171657 Body-Valve .....	6-115
60171658 Nameplate .....	6-61
60171665 Port plate .....	6-115
60171666 Drive Torque Limiter .....	6-119
60171670 Shaft .....	6-115
60171672 Push rod assembly .....	6-59
60171674 Universal joint .....	6-65
60171675 Pin .....	6-59
60171676 Pin .....	6-59
60171678 Pin .....	6-115
60171680 Swashplate .....	6-115
60171685 Piston .....	6-115
60171686 plunger assembly .....	6-61
60171687 Plunger AS .....	6-65, 6-69
60171688 Protective sleeve .....	6-59
60175301 Pipe connector .....	6-15, 6-21, 6-31
60183946 Retaining Ring .....	2-19
60184610 Bearing Ring .....	2-21
60184611 Guide ring .....	2-19, 2-23, 6-109
60184716 Dust Ring .....	2-21
60184717 Dust Ring .....	2-19, 2-23, 6-109
60184718 Dust Ring .....	9-27
60185146 Plunger Motor .....	6-111
60185147 Reduction Gear .....	6-111
60189326 Hose Assembly .....	9-23
60193169 Power line .....	4-3
60202078 Cluster Fixed Lace .....	4-3
60202895 CLAMP .....	7-5

60205959 Angle sealing strip .....	9-13
60206742 Level sensor .....	7-11
60211509 Horn .....	4-3
60216962 SLIDE RING .....	9-37
60217333 Spherical separators .....	9-13
60217334 Steel Ball .....	9-13
60218598 Ignition switch .....	3-37, 4-3
60221096 FITTING .....	6-65
60221097 FLANGE .....	6-65, 6-69
60221098 Soffietto Circolare .....	6-65, 6-69
60221100 SPRING .....	6-65, 6-69
60221102 BUSHING .....	6-65, 6-69
60222665 GlobeValve .....	2-17, 6-89
60223376 Left armrest box assembly .....	3-3
60224349 Flanging coupling .....	7-13
60225215 Bonnet Lock .....	5-13
60226781 Damper .....	3-3
60226782 Damper .....	5-3
60227028 Adaptor .....	9-21
60227808 Rubber Hose .....	6-95
60227809 Rubber Hose .....	6-95
60227811 Rubber Hose .....	6-95
60227814 Rubber Hose .....	6-97
60227817 Rubber Hose .....	6-37, 6-41
60228598 rubber flange .....	6-65
60233678 Differential pressure indicator .....	7-17
60235351 Oil Return Filter .....	6-117
60235514 Taper Hole Plug .....	6-79
60237043 Alarm lamp .....	4-3
60238497 Rubber Hose .....	6-43
60238623 Rubber Sleeve .....	6-65, 6-69
60238781 Washer .....	6-5
60240021 Oil sign .....	6-117
60240239 rubber hose .....	6-41
60240905 holding valve .....	6-75
60241333 Batterie Switch .....	4-3
60241985 screw plug .....	6-105
60241989 o-ring .....	6-105
60242337 screw plug .....	6-105
60242506 Left Pilot Control Valve Assembly .....	6-33
60247539 ROLLER BEARING .....	6-119
60247545 SCREW TCEI .....	6-119
60247546 NUT .....	6-119
60247547 NUT .....	6-119
60247548 SCREW TCEI .....	6-119
60247549 SCREW TCEI .....	6-119
60247552 SCREW .....	6-119
60247553 o-ring .....	6-119
60247574 DOWEL PIN ELASTIC .....	6-121
60247576 DOWEL PIN ELASTIC .....	6-121
60247577 DOWEL PIN ELASTIC .....	6-121
60247936 Pilot valve .....	6-21
60248532 sealing rubber strip of front window .....	3-15
60248547 lock of front window(left) .....	3-19
60248548 lock of front window(right) .....	3-19
60248549 lock handle from outside .....	3-11
60248550 lock of door .....	3-11
60248551 lock catch of door .....	3-11
60248553 saucer .....	3-25
60248555 wall lamp .....	3-29
60248556 front defroster outlet .....	3-27
60248560 windscreen wiper assembly .....	3-19
60248561 wiper arm .....	3-21
60248562 wiper motor .....	3-21
60248575 handle indoor .....	3-11
60248577 up handle .....	3-29
60248582 cigarette lighter .....	3-23

60248583 plastic cover of windscreen wiper .....	3-21
60248586 pintle of top thermal insulation sponge .....	3-23
60249213 SCREW .....	6-119
60249497 FLOW COMPENSATOR MVP LS2 .....	6-119
60249498 TORQUE LIMITER PUMP MVP .....	6-119
60249507 O-RING SEAL OR 2037 70GRA SHA .....	6-119
60250079 journey switch .....	3-33
60255796 RubberHose .....	6-57
60257618 cover assembly .....	7-19
60257619 body assembly .....	7-19
60257620 vacuator valve .....	7-19
60257621 Coolant radiator .....	7-7
60257622 Oil radiator .....	7-7
60258165 pressure compensation .....	6-119
60258166 bearing .....	6-119
60258167 screw .....	6-119
60258168 screw .....	6-119
60258169 washer .....	6-119
60258170 O ring .....	6-119
60258171 O ring .....	6-119
60258172 Seal .....	6-119
60258173 snap ring .....	6-119
60258174 snap ring .....	6-119
60258175 torque limiter .....	6-119
60258176 splined ring .....	6-119
60258177 swash plate support .....	6-119
60258178 swash plate support .....	6-119
60258179 cylinder block .....	6-119
60258180 spring .....	6-119
60258181 swash plate .....	6-119
60258182 guide plate .....	6-119
60258183 valve plate .....	6-119
60258184 shaft .....	6-119
60258185 body .....	6-121
60258186 piston .....	6-121
60258187 pin .....	6-121
60258188 plug .....	6-121
60258189 cover .....	6-119
60258216 blot .....	6-105
60258217 plug .....	6-107
60258218 plug .....	6-105
60258219 spool .....	6-105
60258220 spool .....	6-105
60258222 flush valve .....	6-105
60258223 washer .....	6-105
60258225 Spring .....	6-105
60258226 O ring .....	6-105
60258227 nut .....	6-105
60258228 plug .....	6-105
60258229 plug .....	6-107
60258230 spring .....	6-105
60258233 Spool .....	6-105
60258235 spool .....	6-105
60258240 relief valve .....	6-107
60259205 Nut .....	6-65, 6-69
60259207 Screw .....	6-65
60259209 O-RING .....	6-105
60259211 OUTLET SECTION .....	6-105
60259524 Handle .....	6-65
60259919 left armrest box upper cover .....	3-33
60259920 upper cover anchor .....	3-33, 3-37
60259921 left armrest box right shell .....	3-33
60259922 left armrest box left shell .....	3-33
60259923 hand rail limit .....	3-33, 3-37
60259924 handle .....	3-33
60259925 handle lever .....	3-33
60259927 hand rail .....	3-33, 3-37

60259928 right armrest box upper cover .....	3-37
60259929 Right armrest box right shell .....	3-37
60259930 right armrest box left shell .....	3-37
60259934 throttle handle .....	3-37
60259935 throttle rod .....	3-37
60260924 Shock Pad .....	7-13
60265428 Reducer assembly Repair kit .....	6-111
60265429 Center Swivel Joint Repairing kit .....	9-25
60265430 pump Repairing kit .....	6-121
60266035 Oil Cylinder Repair Kit .....	6-109
60267183 Electromagnetic Reversing Valve .....	6-77
60270117 rubber hose .....	6-43
60273107 fuel oil filter .....	10-3
60275930 Refiller valve .....	9-15
60275931 Tensioning device repair kit .....	9-15
60279902 excavator cab .....	3-3
60280426 installation plate .....	9-15
60280427 spring plate .....	9-15
60280428 spring .....	9-15
60280429 body cylinder .....	9-15
60280430 seal ring .....	9-15
60280431 bearing ring .....	9-15
60280432 dust ring .....	9-15
60280433 mandrel .....	9-15
60281431 Proportional Electromagnetic Valve .....	6-19
60281974 Pilot-control Valve .....	6-17
60282448 Spool .....	6-103
60282449 Body .....	6-103
60282450 Spring .....	6-103
60282451 Solenoid coil .....	6-103
60282452 Retainer .....	6-103
60282453 Armature .....	6-103
60282454 Plug .....	6-103
60282647 micro seat .....	7-7
60282648 pressure cover .....	7-7
60290332 Connection .....	6-101
60290333 Plug .....	6-101
60290334 Control piston .....	6-101
60290335 Spring .....	6-101
60290336 Piston cover .....	6-101
60290337 O ring .....	6-101
60290338 Piston Rod .....	6-101
60290339 Control Rod .....	6-101
60290340 Nut .....	6-101
60290341 Bolt .....	6-101
60290342 Valve pocket .....	6-101
60290343 Piston .....	6-101
60290344 Spring .....	6-101
60290345 Poppet .....	6-101
60290346 Plug .....	6-101
60290347 Spool .....	6-101
60290348 Washer .....	6-101
60290349 Spring .....	6-101
60290350 Plug .....	6-101
60290351 Plug .....	6-101
60290352 Seal Washer .....	6-101
60290353 Spring .....	6-101
60290354 Retainer ring .....	6-101
60290355 Spool .....	6-101
60290356 Plug .....	6-101
60290357 Body .....	6-101
60290358 Body .....	6-71
60290359 Valve pocket .....	6-63, 6-71
60290360 Spool .....	6-63, 6-71
60290361 Spring washer .....	6-63, 6-71
60290362 Spring .....	6-63, 6-71
60290363 Spring .....	6-63, 6-71



60290364 Seat .....	6-63, 6-71
60290365 Washer .....	6-63, 6-71
60290366 Steel-wire retainer ring .....	6-63, 6-71
60290367 Piston Rod .....	6-63, 6-71
60290368 Copper sleeve .....	6-63, 6-71
60290369 U ring .....	6-63, 6-71
60290370 Pin .....	6-63, 6-71
60290371 Seat .....	6-63, 6-71
60290372 Swing holder .....	6-63, 6-71
60290373 Screw .....	6-63, 6-71
60290374 Joystick assembly .....	6-71
60290375 Dust Cover .....	6-71
60290376 Screw .....	6-71
60290377 Cap .....	6-71
60292210 right armrest box framework .....	3-37
60292211 left armrest box framework .....	3-33
60292653 drawing wire cushion .....	3-37
60295005 mat .....	3-37
60295058 Limit Screw .....	6-105
60295059 Fixed nut .....	6-105
60304920 cover of fuel tank .....	7-11
60304921 filter net .....	7-11
60305393 Reducer .....	9-31
60305394 Cover .....	9-37
60305395 B1 Gear .....	9-37
60305396 Ring .....	9-37
60305397 Seal ring .....	9-37
60305398 O snap ring .....	9-37
60305399 Thrust plate .....	9-37
60305400 Needle .....	9-37
60305401 Floating seal .....	9-37
60305402 Bearing .....	9-37
60305403 Snap ring .....	9-37
60305404 Hydraulic motor .....	9-31
60305405 Thrust washer .....	9-37
60305406 Snap ring .....	9-37
60305418 Body .....	9-33, 9-35
60305419 Spool .....	9-33, 9-35
60305420 Check valve .....	9-33, 9-35
60305421 Spring guide .....	9-33, 9-35
60305422 Spool .....	9-33, 9-35
60305423 Spool .....	9-33, 9-35
60305424 Spring V1 .....	9-33, 9-35
60305425 Spring V2 .....	9-33, 9-35
60305426 Spring V3 .....	9-33, 9-35
60305427 Plug .....	9-33, 9-35
60305428 Plug .....	9-33, 9-35
60305429 Plug .....	9-33, 9-35
60305430 Choke .....	9-33, 9-35
60305431 Ring .....	9-33, 9-35
60305432 O ring .....	9-35
60305433 Chock .....	9-35
60305434 Pin .....	9-35
60305435 Check plug .....	9-35
60305436 Spool .....	6-105
60305438 Spool .....	6-105
60305439 Seal Kit .....	9-31
60305440 Seal Kit .....	9-31
60305441 Carrier 2 ASSY .....	9-37
60306443 rocker switch .....	3-37
60306444 rocker switch .....	3-37
60306445 rocker switch .....	3-37
60309855 gas spring .....	3-33
60312888 heater assembly SY16 .....	6-123
60319138 Multiple valve .....	6-79
60323298 Rubber hose .....	6-43
60328545 new back lock rubber cover .....	3-29

60332525 rubber hose .....	6-41
60337293 grease fitting .....	9-15
60338982 Clamp .....	7-5
60338984 Hose clamp .....	7-5
60342181 Electromagnetic reversal valve .....	6-25
60344154 Front move glass .....	3-17
60344155 Front bottom glass .....	3-9
60344156 Top glass .....	3-9
60344159 Right windows .....	3-9
60344161 Back glass .....	3-9
60344162 Left back glass .....	3-9
60344164 Door bottom glass .....	3-11
60344588 Door sealant strip .....	3-11
60344590 Front rubber strip .....	3-15
60344592 Front window frame .....	3-17
60344593 Front window bottom rubber strip .....	3-17
60344594 Front window roller wheel .....	3-17
60344595 Gas spring .....	3-19
60344596 Horn cover .....	3-23
60344597 Top sponge .....	3-23
60344598 Rear side inner plaque .....	3-25
60344599 Right all inner plaque .....	3-27
60344600 Right front inner plaque .....	3-27
60344601 Right back inner plaque .....	3-27
60344602 Back lock .....	3-29
60344603 Left inner plaque .....	3-29
60344604 Lock handle .....	3-29
60344605 Back lock sleeve .....	3-29
60344849 Door lock cover .....	3-11
60350051 Seal Ring .....	2-21
60350052 Seal Ring .....	2-19, 2-23, 6-109
60350054 Seal Ring .....	2-23
60350056 Seal Ring .....	6-109
60350057 Sliding Bearing .....	2-21
60350058 Sliding Bearing .....	2-19, 2-23, 6-109
60350118 Circlip .....	2-21
60350119 Circlip .....	2-23, 6-109
60352306 Pilot valve .....	6-33
60353700 Sealing sponge .....	7-19
61004019 Right armrest boxes assembly .....	3-3
61012264 Spool .....	6-105
61012265 Spool .....	6-105
61012266 Spool .....	6-105
61012267 Multi-port valve repair kit .....	6-107
61013101 Rubber Hose .....	6-91
61016944 Mhste Housing .....	6-67
61016945 Electromagnetic valve .....	6-67
61016946 Coil .....	6-67
61016947 Accumulator .....	6-67
61016948 Accumulator connector .....	6-67
61016949 O-Ring .....	6-67
61016950 Ball .....	6-67
61016951 Spring .....	6-67
61016952 O-Ring .....	6-67
61016953 Plug .....	6-67
61016954 Reducer spool .....	6-67
61016955 Reducer hosing .....	6-67
61016956 Cone .....	6-67
61016957 O-Ring .....	6-67
61016958 Spacer .....	6-67
61016959 Spring .....	6-67
61016960 Plug .....	6-67
61016961 Spring .....	6-67
61016962 Spacer .....	6-67
61016963 Plug .....	6-67
61016964 Oil source valve repair kit .....	6-67
61018717 Cab door assembly .....	3-15

61018718 Cab door up glass .....	3-11
61019660 Combination instrument .....	4-3
61020117 engine3TNV80F-SPSK 14.6kW stageV YANMAR .....	7-3
61020294 Alarm lamp switch .....	3-37
61025254 Bolt, socket head .....	6-73
61025255 Solenoid valve .....	6-73
61025256 Valve block .....	6-73
61026661 Connector .....	6-69
61026663 Handle .....	6-69
61026664 Connecting rod .....	6-69
61026665 Nut .....	6-69
61026666 Universal joint .....	6-69
61026667 Joint .....	6-69
61026669 Repair kit,handle .....	6-69
61030569 Hose .....	9-21
61030570 Hose .....	6-85
61030659 Radio .....	4-3
61031627 throttle guy assembly .....	7-9
61031809 Radiator .....	7-5
A210110000178 Bolt .....	9-15
A210111000012 Bolt .....	2-5, 5-5, 6-11, 9-3
A210111000024 Bolt .....	2-27, 5-5, 6-97, 7-9, 7-13
A210111000026 Bolt .....	7-5, 9-7
A210111000028 Bolt .....	3-37
A210111000032 Bolt .....	6-3
A210111000052 Bolt M14×90GB5783 Grade 10.9 .....	6-5
A210111000078 Bolt .....	6-17, 7-9
A210111000079 Bolt .....	4-3, 5-13, 7-9
A210111000080 Bolt .....	3-5
A210111000088 Bolt .....	5-13, 7-11
A210111000089 Bolt .....	5-13
A210111000090 Bolt .....	9-19
A210111000092 Bolt .....	3-39, 7-17
A210111000093 Bolt .....	6-15
A210111000095 Bolt .....	6-19
A210111000096 Bolt .....	7-9
A210111000101 Bolt .....	9-5
A210111000103 Bolt .....	9-5
A210111000119 Bolt .....	2-27, 9-11
A210111000127 Bolt .....	3-3, 5-3
A210111000195 Bolt .....	9-11, 9-23
A210111000197 Bolt .....	7-13
A210111000202 Bolt .....	6-97, 7-15, 9-7
A210111000204 Bolt .....	5-5
A210111000205 Bolt .....	6-5
A210111000240 Bolt .....	6-123
A210111000270 Bolt .....	2-3
A210111000293 Bolt .....	2-15, 4-3, 7-9, 9-11
A210111000294 Bolt .....	2-5, 2-7, 2-9, 2-13, 9-9
A210111000295 Bolt .....	2-3
A210111000323 Bolt .....	5-5, 9-11
A210111000342 Bolt .....	2-15, 3-3, 5-5, 5-7, 6-5, 6-25, 6-83, 6-117, 7-5, 7-9, 9-3
A210111000343 Bolt .....	3-3, 3-5, 5-5, 6-25, 6-97, 6-117, 7-17, 9-11
A210111000348 Bolt .....	6-83, 6-89
A210204000007 Screw .....	2-3
A210204000116 Screw .....	7-11
A210204000122 Screw .....	6-105
A210204000129 Screw .....	6-21
A210204000130 Screw .....	6-33
A210204000134 Screw .....	6-63, 6-71
A210204000136 Screw .....	6-77
A210204000137 Screw .....	6-89
A210204000140 Screw .....	7-5
A210204000170 Screw .....	6-75
A210204000181 Screw .....	3-31
A210204000202 Screw .....	9-27
A210204000206 Screw .....	6-87

A210204000212 Screw .....	6-119
A210204000215 Screw .....	6-85, 7-13
A210204000218 Screw M6×55GB70.1 Grade 10.9 .....	2-17
A210204000220 Screw .....	2-21
A210204000339 Screw .....	9-9
A210204000340 Bolt, socket head .....	2-19, 2-23, 9-11, 9-29
A210204000354 Screw .....	9-7
A210206000004 Screw .....	9-27
A210208000025 Screw .....	6-115
A210210000030 Screw .....	3-39
A210214000003 Screw .....	5-17
A210307000012 Nut .....	3-35, 3-37, 6-71, 6-75
A210307000014 Nut .....	5-9
A210307000015 Nut .....	6-63, 6-71
A210307000016 Nut .....	6-89
A210307000017 Nut .....	5-5, 5-19, 6-3
A210307000031 Nut .....	2-27
A210307000036 Nut .....	2-3, 2-5, 2-7, 2-9, 2-13, 2-27, 9-9
A210307000055 Nut .....	3-5, 3-39, 7-5, 7-15
A210333000010 Screw Plug .....	9-29
A210401000001 Washer .....	9-27
A210401000017 Washer .....	7-11
A210404000003 Washer .....	5-19
A210404000005 Washer .....	5-11
A210405000004 Washer .....	5-9
A210405000005 Washer .....	7-11
A210405000006 Washer .....	4-3, 5-13, 7-5
A210405000007 Washer .....	4-3, 5-13, 7-11
A210414000003 Retainer Ring .....	6-63, 6-71
A210414000011 Retainer Ring .....	3-41, 3-43, 3-45
A210414000114 Retainer Ring .....	6-115
A210417000045 Retainer Ring .....	9-27
A210417000107 Retainer Ring .....	9-27
A210434000007 Washer .....	6-109, 9-29
A210491000007 Pin .....	5-15
A210491000010 Pin .....	5-11
A210491000120 Washer .....	2-5, 7-5, 7-9, 7-13
A210491000121 Washer .....	2-5, 7-15
A210601000003 Rolling bearing .....	6-115
A210608000007 O-ring .....	6-63, 6-71, 6-101
A210608000020 O-ring .....	6-115
A210608000068 O-ring .....	6-97
A210608000073 O-ring .....	6-61
A210608000086 O-ring .....	2-13
A210608000097 O-ring .....	9-21
A210608000109 O-ring .....	2-21
A210608000122 O-ring .....	2-23, 9-29
A210608000153 O-ring .....	9-35
A210609000043 O-ring .....	9-27
A210609000060 O-ring .....	2-23
A210609000065 O-Ring .....	2-23
A210609000068 O-ring .....	2-19, 2-21, 9-29
A210609000095 O-ring .....	6-61
A210609000103 O-ring .....	6-109
A210609000118 O-ring .....	2-19
A210609000134 O-ring .....	9-27
A210609000135 O-ring .....	9-27
A210609000152 O-ring .....	2-19, 2-21, 9-29
A210609000164 O-ring .....	6-109
A210609000168 O-ring .....	6-109
A210609000273 O-ring .....	7-11
A210616000014 Spring YA1.2×6×22GB2089-94 .....	6-115
A210661000015 Steel Ball .....	2-19, 2-21, 2-23, 9-29
A210661000016 Steel Ball .....	6-109, 9-27
A210661000022 Steel Ball φ10GB308-89 .....	9-25
A210804000001 Fitting, Grease .....	2-19, 2-21, 2-23, 6-109, 9-27
A210804000002 Adaptor, Grease .....	2-5, 2-7, 2-9, 2-11, 2-13, 6-99, 9-9

A210855000010 Throat collar .....	6-97
A210855000024 Hoop .....	7-17
A222100000366 Oil suction filter .....	6-117
A229900000882 Valve .....	7-9
A229900001345 Clamp .....	7-9, 7-17
A229900001398 Mirror, rear-view .....	3-13, 3-31
A229900010008 Plastic seal .....	9-13
A230101000247 O-ring 10.9×2.3(JISB2401) .....	6-85, 9-23
A240700000548 Pressure Relay .....	6-11
A241300000059 Fuse Housing .....	4-3
A260401010025 Socket .....	10-5
A260401010027 Socket .....	10-5
A260401010029 Socket .....	10-5
A260401010051 Socket 24×12.5GB3390.1 .....	10-5
A260401010063 Socket .....	10-5
A260401010092 Connecting rod .....	10-5
A260401020004 Wrench, allen .....	10-5
A260401020009 Wrench, allen .....	10-5
A260401020010 Wrench, allen .....	10-5
A260401020011 Wrench, Allen 8RGB5356 .....	10-5
A260401030005 Spanner, double-ended .....	10-5
A260401030007 Spanner, double-ended .....	10-5
A260401030028 Double-ended spanner .....	10-5
A260401030100 Wrench, box end .....	10-5
A260401040004 Spanner, adjustable .....	10-5
A260401090010 Wrench ratchet .....	10-5
A2900000000155 Toolbox, portable .....	10-5
A810502019056 Setscrew .....	5-7
A820102010779 Spacer .....	2-3
A820199000364 Thread seat .....	2-5
A820205000844 Fitting .....	9-21
A820205000944 Adapter, relay .....	6-11
A820205001655 Connector .....	9-23
A820205002539 Blockhead .....	6-117
A820601990927 Decal, unlock .....	8-5
A820601991049 Counterweight warning board .....	8-3
A820603000246 Forward direction indication .....	8-3
A820606030917 Protective sleeve .....	9-5
A831213035000 Rubber hose .....	6-49
A831233055000 hose .....	6-35
A831333085800 Rubber Hose .....	6-87
A880801010041 Screw .....	2-19, 2-21, 2-23, 6-109
A880803040003 Ring, Wear .....	6-109
A880803040036 Guide ring .....	2-23
B210299000001 Screw m10×40din912grade 12.9 .....	6-119
B210780000014 Pipe connector .....	6-9, 6-11, 6-15, 6-19, 6-25
B210780000015 Fitting, Tee .....	6-79, 6-81
B210780000024 Fitting, Elbow .....	6-23, 6-29
B210780000036 Connector, Pipe .....	6-95, 9-19
B210780000141 Fitting, Adapter .....	6-79, 6-97
B210780000148 Fitting, adapter .....	2-15, 2-17
B210780000164 Screw Plug .....	6-25, 6-97
B210780000170 Fitting, Tee, L-shape .....	6-11, 6-15, 6-27
B210780000172 Fitting .....	9-19
B210780000174 Connector, pipe .....	6-27, 6-93, 6-95, 9-19
B210780000175 Stud Straight Connector .....	6-9
B210780000176 Fitting, Adapter .....	6-9, 6-15, 6-25, 6-29, 6-75
B210780000177 Connector, pipe .....	2-17, 6-79
B210780000418 Fitting, Elbow .....	6-7, 6-11, 6-13, 6-23, 6-25, 6-27, 6-75, 6-77, 6-93, 9-19, 9-23
B210780000636 Fitting, Elbow .....	6-75, 6-87, 6-95
B210780000696 Flange, Split .....	6-97
B210780000823 Stud Straight Connector .....	6-9, 6-15, 6-17, 6-19, 6-21, 6-25
B210780000895 Screw plug .....	6-97
B210780000979 Connector, pipe .....	6-77, 6-79
B210780001007 Fitting, Tee .....	6-79, 6-91
B210780001024 Fitting, Adapter .....	6-91

B210780001045 Fitting .....	6-11
B210780001310 Fitting, Elbow .....	6-79, 6-97
B210780001391 Swivel Reducing Straight Adapter .....	6-7
B210780001444 Fitting .....	6-21
B220400000169 Valve, shuttle, tee .....	6-11
B221500000299 Bearing .....	6-113
B221500000300 Bearing .....	6-113
B229900001477 Ring, Retainer .....	9-27
B230101000036 O-ring .....	6-97
B230101000047 O-ring .....	6-7, 6-11, 6-13, 6-23, 9-21
B230101000049 O-ring .....	6-23, 6-63, 6-71, 6-87, 6-95, 9-21
B230101000090 O-Ring .....	6-97, 6-117
B230101000241 O-ring .....	6-103
B230101000356 O-ring .....	6-117, 7-11
B230101000444 O-Ring-44.7 .....	6-117
B230101000614 O-ring .....	6-117, 9-37
B230101000638 O-ring .....	6-103
B230101000679 O-ring .....	6-101
B230101000868 Seal, KR .....	9-27
B230101000944 Seal ring .....	2-23, 6-109
B230101001681 Ring, Wear .....	9-27
B230103000439 Rubber hose .....	2-17
B230103000440 Rubber hose .....	6-91
B230103000464 Rubber hose .....	9-21
B230103000472 Rubber Hose .....	6-87
B230103000473 Hose Assembly .....	6-85
B230103000727 Rubber Hose .....	6-49
B230103000811 Hose .....	6-99
B230103000982 Hose .....	9-21
B230103001456 Rubber hose .....	6-47
B230103001864 Rubber Hose .....	6-85
B230103001961 Hose Assembly .....	6-93
B230103002268 Hose .....	6-99
B230103002720 Rubber Hose .....	6-95
B230103003046 Rubber Hose .....	6-39, 6-47
B230103003289 Rubber hose .....	6-95
B230103003690 Rubber hose .....	6-85
B230103004331 Rubber Hose .....	6-95
B230103004570 Hose .....	6-47
B230103004593 Rubber hose .....	6-53, 6-93
B230103005076 Rubber hose .....	6-87, 6-95
B230103005853 Hose, rubber .....	2-15
B230103007616 Rubber hose .....	6-97
B240200000059 Emergency Switch .....	4-3
B241000000022 Receptacle, Power .....	4-3
B260401090024 Spanner, belt .....	10-5
B260409000015 High pressure grease gun .....	10-5
SSY004609595 Travel Device .....	1-3
SSY004694297 Connecting Rod Assy .....	2-9, 2-11
SSY004698376 dozer blade assembly .....	9-9
SSY004963837 sponge .....	3-7



### **Белгород**

Белгородский р-н, п. Новосадовый,  
ул. Перспективная, д.11

### **Волгоград**

Ангарская 178, 2 этаж, каб.6

### **Воронеж**

ул. Дорожная, д. 86

### **Краснодар**

Тахтамукайский район,  
пгт. Яблоновский, ул. Ленина, д.39А, оф.201

### **Липецк**

ул. Ковалева, д 123 В

### **Минеральные Воды**

ул. Советская, д. 55

### **Москва**

ул. Соколово-Мещерская, д.25, офис 304А/Б

### **Республика Крым**

г. Симферополь Московское шоссе, 11-й километр, литД, этаж 1

### **Ростов-на-Дону**

г. Батайск, Восточное шоссе, 6Д

### **Самара**

Московское шоссе 20 км (поселок Мехзавод),  
строение 33, офис 201а

### **Саратов**

1-й Усть-Курдюмский проезд, д. 2