

# Каталог запасных частей

---

**SY65W9K3R**

**Wheeled Hydraulic Excavator**

---

Equipment No. SY0061CA22258



## Overview

This book provides illustrations and parts listings required to properly identify and order replaceable parts on your Sany machine.

If this book becomes damaged, lost or illegible, request a replacement copy from your Sany distributor.

In case you sell this machine, be sure to give this parts book to the new owner.

Improvements in the design may lead to changes in detail which may not be indicated in this book. Always consult your Sany distributor for the latest available information on your equipment or if you have questions regarding information in this book.

## Storing this parts book

This publication applies only to this specific machine and should not be used with any other machines.

Always keep this book available for reference.

## Contact Details

Sany Industrial Park, Economic and Technology Development Zone, Kunshan, Jiangsu, China 215300

Service Hotline: 4008 28 2318

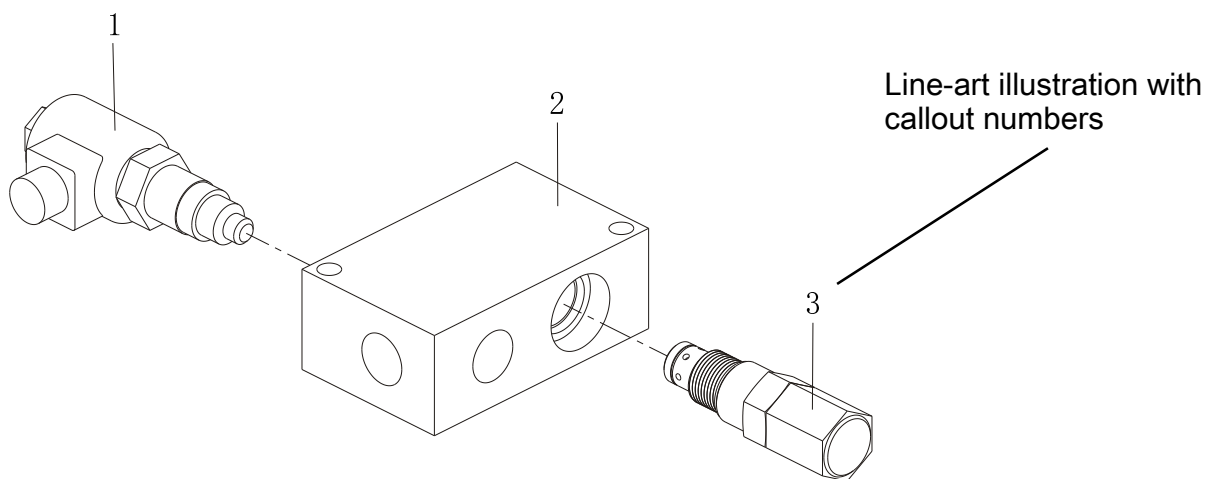
E-mail: [crd@sany.com.cn](mailto:crd@sany.com.cn)

Website: <http://www.sanyglobal.com>

## Sany Group Service Information System

<http://sis.sanygroup.com>

Page header with product name  
and machine model



Page footer with page number, parts code, and parts description

Page header with product name and machine model

Item number that matches callout numbers on previous illustration page

Remarks: for complement information of the part or assembly

Item No.	Part No.	Description	Qty.	Remarks
1	B220401000459	Valve Assembly, Solenoid	1	
2	A820103010415	Change Valve Block, Cooling Oil Motor	1	
3	B220400000083	Relief Valve	1	

Part No.: to be used along with Description to identify the part or assembly

Description: to be used along with Parts No. to identify the part or assembly

Quantity: it indicates the number of each part used in this assembly

Page footer with page number, parts code, and parts description

BLANK PAGE

# Table of Contents

<b>Group 1 SY65W9K3R Wheel Hydraulic excavator body</b> .....	<b>1-1</b>
13390339 SY65W9K3R Wheel Hydraulic excavator body.....	1-2
<b>Group 2 Slewing device</b> .....	<b>2-1</b>
13407895 Slewing device.....	2-2
13404848 hydraulic pilot drawing.....	2-6
60237031 Breather Valve.....	2-22
13410775 Hydraulic Fuel Tank Assy.....	2-24
B229900005731 Reducer assembly.....	2-26
60164190 Hydraulic motor group.....	2-28
60164187 RELIEF VALVE.....	2-30
60255065 REDUCTION GEAR ASSEMBLY.....	2-32
60266025 Reducer assembly repair kit.....	2-34
60249547 Multi-port valve.....	2-36
60317875 slewing groupware.....	2-38
60317874 Bulldozing shovel plate Assembly.....	2-40
60317873 option groupware.....	2-42
60317872 right travel groupware.....	2-44
60317871 left travel groupware.....	2-46
60317870 Arm groupware.....	2-48
60317869 Bucket groupware.....	2-50
60317868 Movable Arm Assembly.....	2-52
60317866 Inlet Section Assy.....	2-54
60259660 2-section gear pump.....	2-56
60262517 Plunger Pump.....	2-58
13404913 Hydraulic Pilot Pipeline.....	2-62
60225750 Pilot-control Valve.....	2-84
10585259 Left Handle Assembly.....	2-86
10585261 Right Handle Assembly.....	2-88
60254635 Steering Unit.....	2-90
60211330 Filter.....	2-92
60258966 check valve group.....	2-94
60258969 pilot valve group.....	2-96
60258968 travel control valve group.....	2-98
13387305 cab assem.....	2-100
60260125 wheel excavator cab.....	2-102
13383996 seat and control cabinet.....	2-124
B229900000265 Mechanical Suspension Driver seat.....	2-126
60282266 excavator right armrest box assembly.....	2-130
60253848 left armrest box assembly.....	2-132
13381909 Bottom board rack.....	2-134
13388025 Covering parts assembly.....	2-136
13517745 bracket assembly.....	2-146
11301628 Right Door Assy.....	2-148
12259581 Assembly of rear hood.....	2-150

11328611 Left Door Assy.....	2-152
13514936 rear-view mirror assembly.....	2-154
13514937 rear-view mirror fixed element.....	2-156
13498075 right lower bearer-rear view mirror.....	2-158
12857167 Right Support Abutment component.....	2-160
12857496 Left Support Abutment component.....	2-162
11463118 general assembly of locker.....	2-164
13402088 power system.....	2-166
13426438 transmission & shock mitigation system.....	2-168
13517475 Exhaust system.....	2-170
12888810 cooling system.....	2-172
60173255 Radiator.....	2-174
13426445 inlet system.....	2-176
13426449 fuel system.....	2-178
13515765 Fuel Tank Assy.....	2-180
60337533 Engine.....	2-182
61008550 Assy crankcase.....	2-186
61008551 Oil pan.....	2-188
61008552 Dipstick and guide.....	2-190
61008553 Cylinder head.....	2-192
61008556 Inlet valve and exhaust valve.....	2-194
61008560 Rocker arm shaft.....	2-196
61008561 Head cover.....	2-198
61008563 Front cover.....	2-200
61008564 Piston and crankshaft.....	2-202
61008576 Camshaft and idle gear shaft.....	2-204
61008577 Flywheel.....	2-206
61008581 Injection pump unit.....	2-208
61008822 Injection pump housing.....	2-210
61008823 Injection pump.....	2-212
61008825 Fuel pump cover.....	2-214
61008826 Fuel camshaft.....	2-216
61008827 Governor.....	2-218
61008828 Fork lever (governor).....	2-220
61008831 Restriction adjusting bolt.....	2-222
61008838 Fuel filter.....	2-224
61008839 Nozzle holder.....	2-226
61008841 Injection pipe.....	2-228
61008842 Fuel pump (electrical).....	2-230
61008843 Alternator.....	2-232
61008844 Alternator (component parts).....	2-234
61008846 Starter.....	2-236
61008847 Starter (component parts).....	2-238
61008848 Stop solenoid.....	2-240
61008850 Oil switch.....	2-242
61008851 Water flange.....	2-244
61008854 Water pump.....	2-246
61008855 Fan.....	2-248
61008856 Inlet manifold.....	2-250
61008857 Exhaust manifold.....	2-252
61008859 Egr, valve.....	2-254

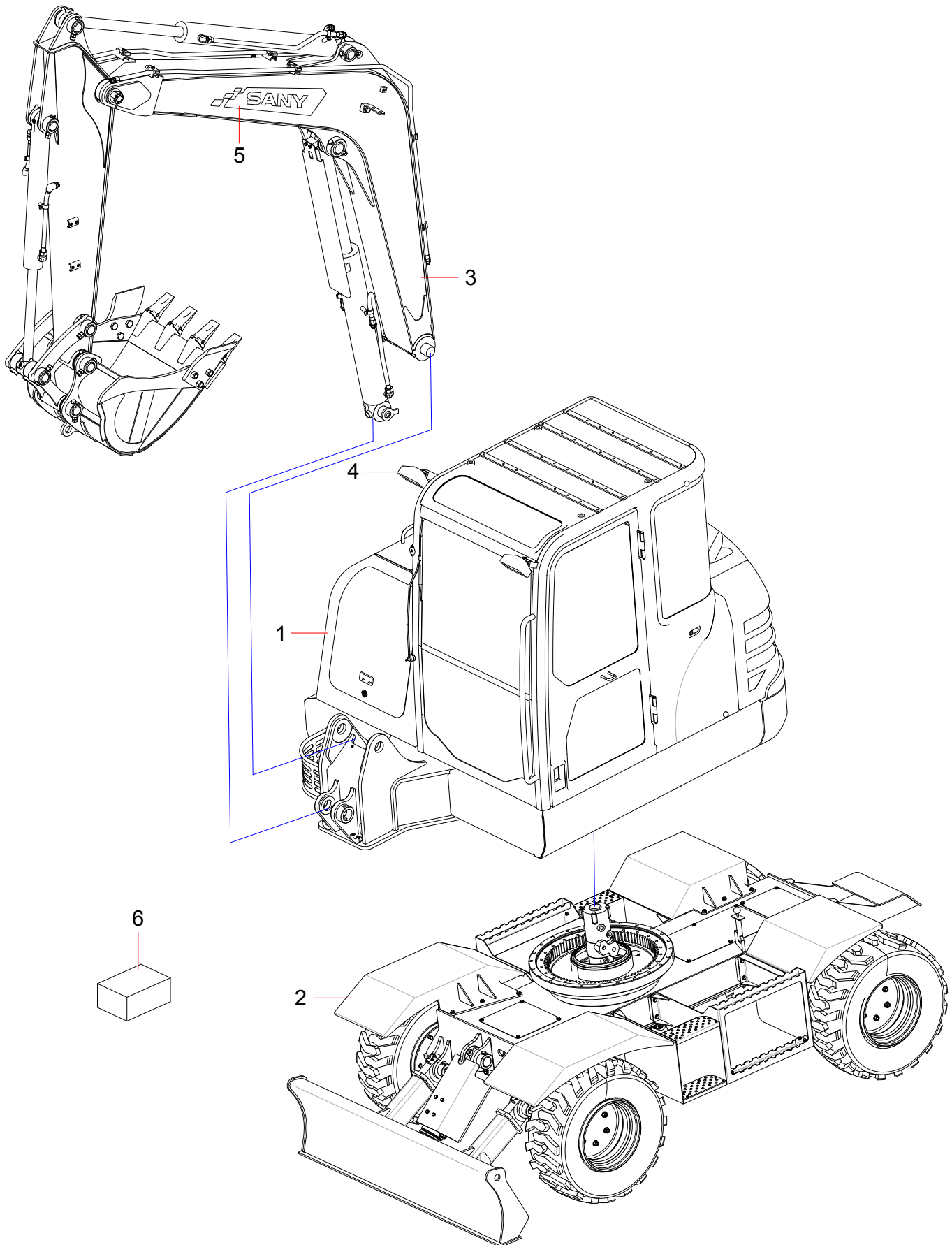


61008861 Egr,radiator.....	2-256
61008862 Turbo charger .....	2-258
61008864 Oil pipe (turbo charger).....	2-260
61008865 Oil cooler.....	2-262
61008866 Glow lamp.....	2-264
61008867 Ecu .....	2-266
61008868 Diesel engine accessories .....	2-268
61008869 Operators manual .....	2-270
61008870 Upper gasket kit [option].....	2-272
61008871 Lower gasket kit [option].....	2-274
13405996 counterweight assembly .....	2-276
12841202 Sealing board assembly .....	2-278
12910031 Air conditioning .....	2-280
60213361 Air-condition Assy .....	2-282
60213356 Evaporator.....	2-284
<b>Group 3 Walking device.....</b>	<b>3-1</b>
13411794 Walking device .....	3-2
60253613 Hydrostatic power shift transmission.....	3-10
SSY004737772 Bulldozing shovel assem .....	3-14
11309667 Slewing Ring .....	3-16
13403779 hydraulic underage drawing .....	3-18
60258967 balanced cylinder valve group.....	3-26
60253891 PlungerMotor .....	3-28
60278482 Center Swivel Joint .....	3-32
13374198 Toolbox .....	3-34
<b>Group 4 Work device.....</b>	<b>4-1</b>
13421651 Work device .....	4-2
14156529 Working device line .....	4-20
60199322 5.5T Arm oil cylinder .....	4-24
60199321 5.5T Boom oil cylinder .....	4-26
60199320 5.5T Bucket oil cylinder .....	4-28
12158004 Bucket .....	4-30
14532482 Connecting Rod.....	4-32
<b>Group 5 SY60W9K3R Electrical System .....</b>	<b>5-1</b>
13408188 SY60W9K3R Electrical System .....	5-2
<b>Group 6 Coating.....</b>	<b>6-1</b>
13411243 Coating.....	6-2
<b>Group 7 Attached accessories .....</b>	<b>7-1</b>
13423946 Attached accessories .....	7-2
14042580 Accompanying tools.....	7-4

BLANK PAGE

# Group 1

## SY65W9K3R Wheel Hydraulic excavator body

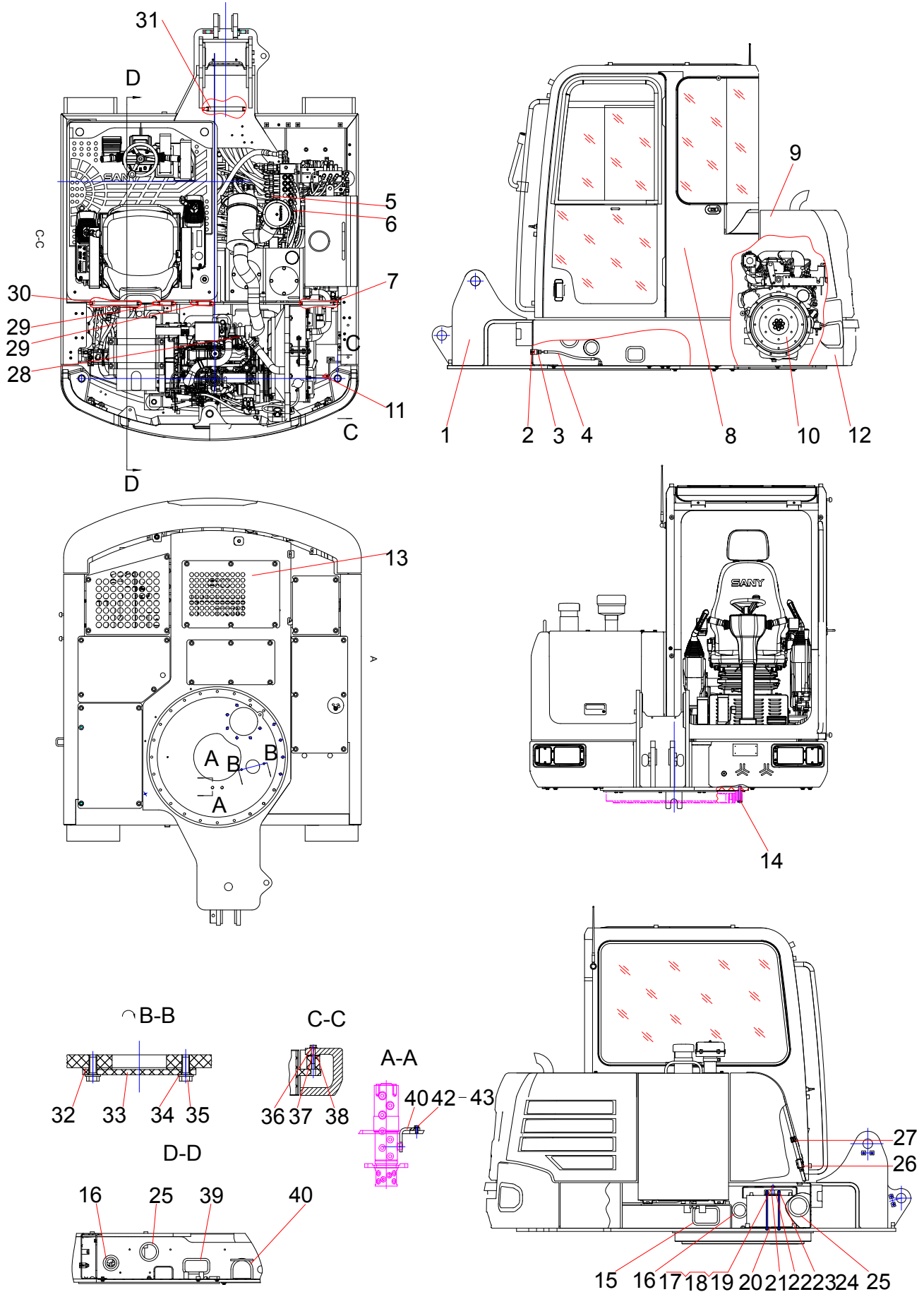


No.	Part No.	Description	Qty	Page number
1	13407895	Slewing device	1	2-2
2	13411794	Walking device	1	3-2
3	13421651	Work device	1	4-2
4	13408188	SY60W9K3R Electrical System	1	5-2
5	13411243	Coating	1	6-2
6	13423946	Attached accessories	1	7-2

BLANK PAGE

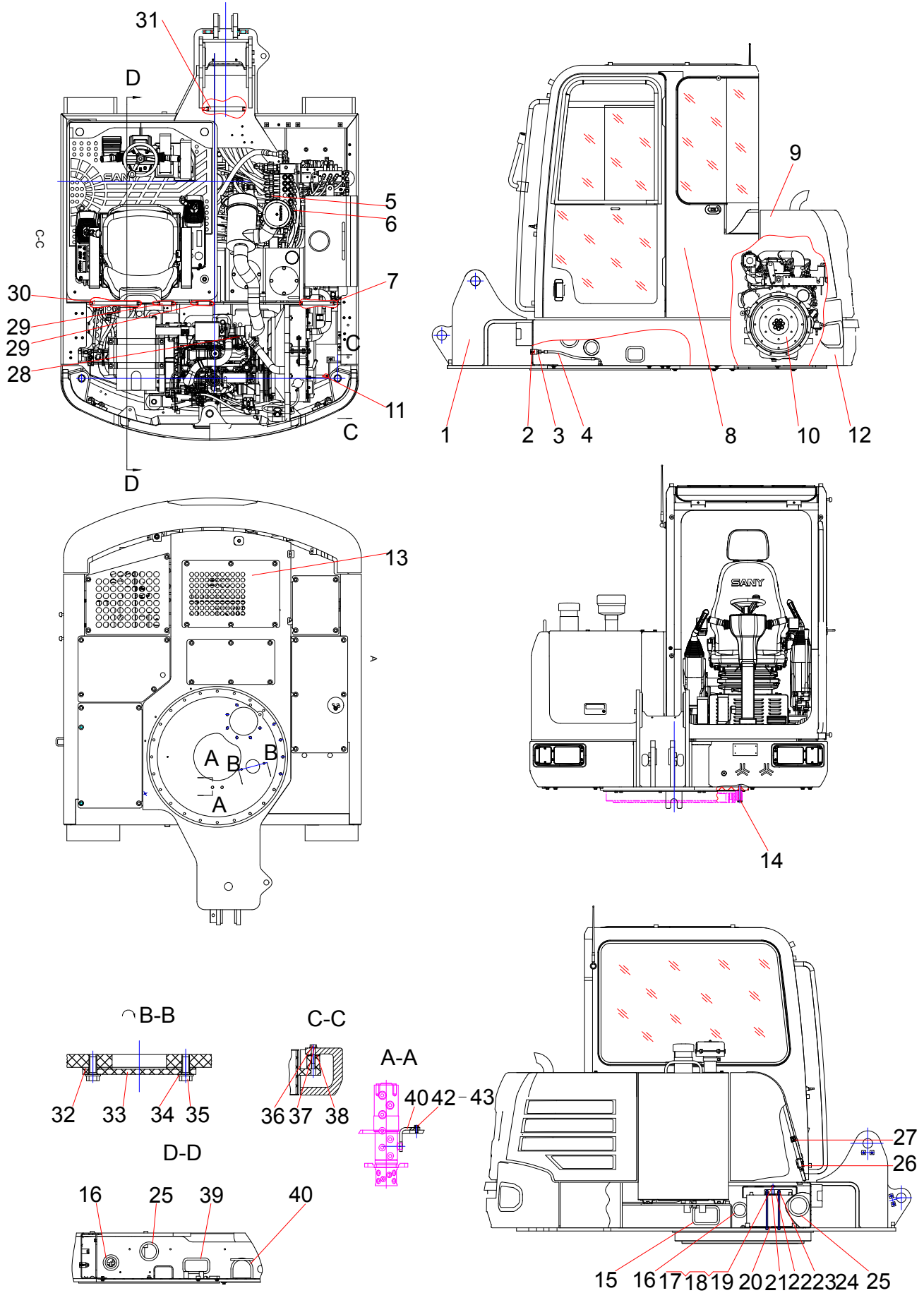
# Group 2

## Slewing device

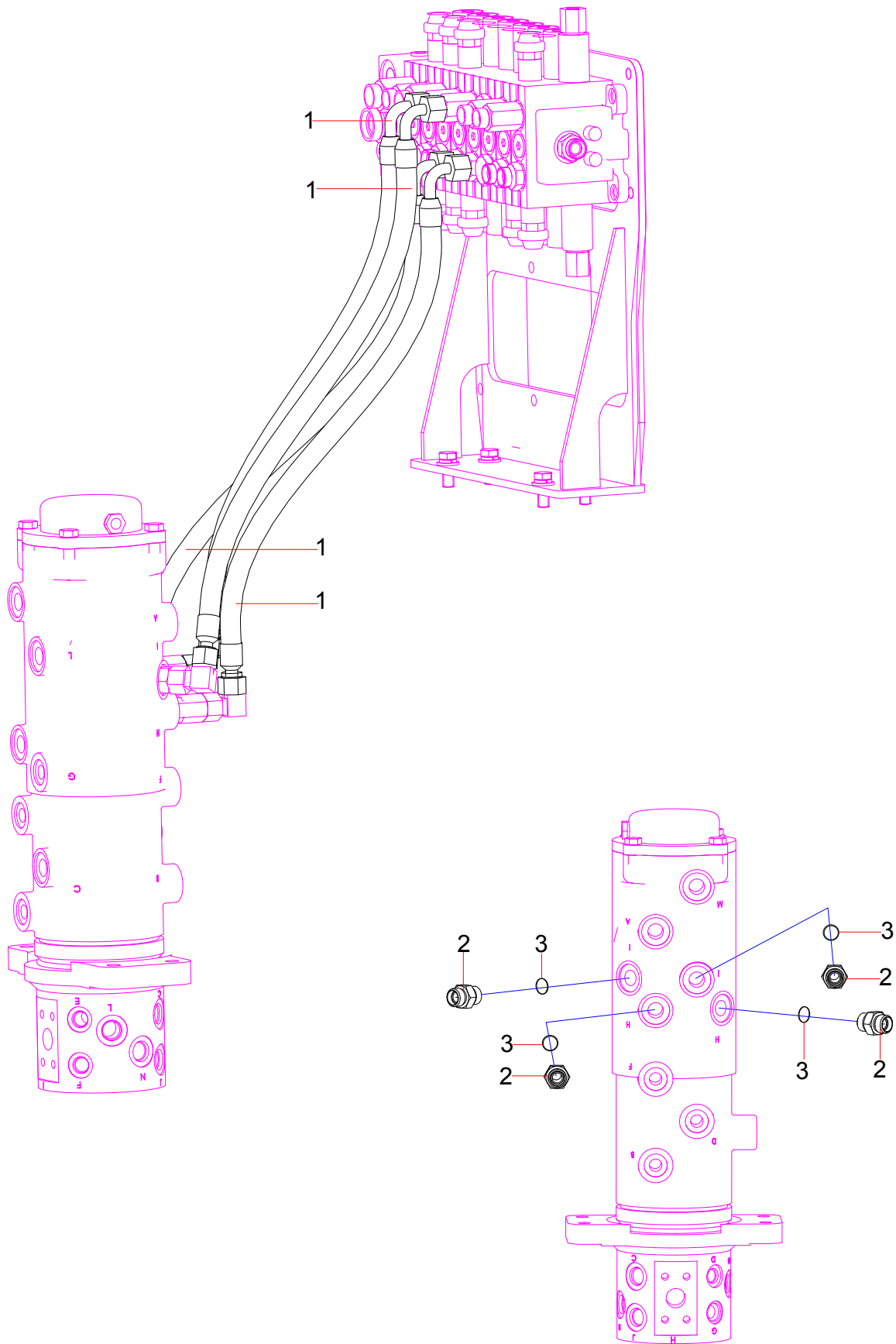




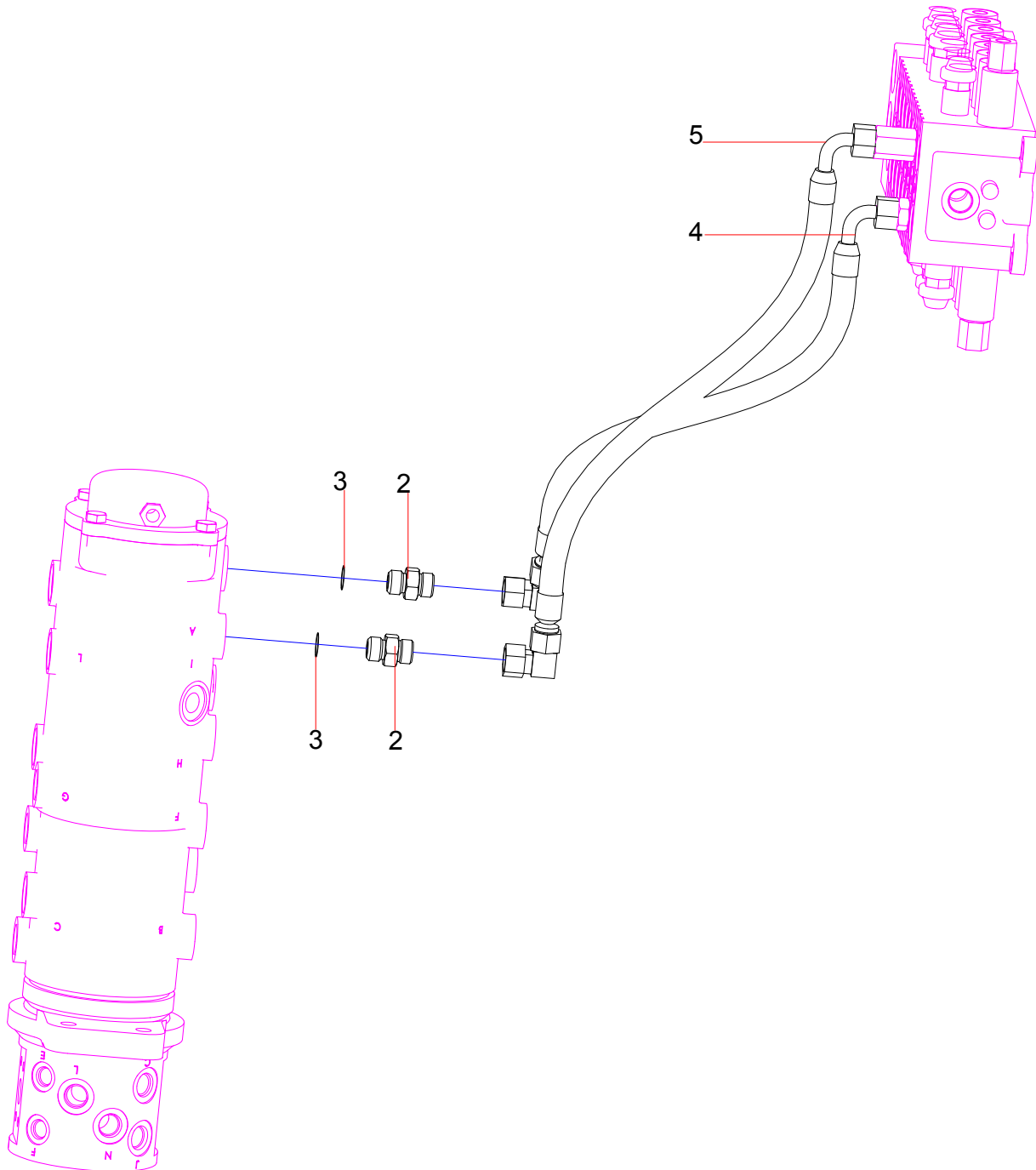
No.	Part No.	Description	Qty	Page number
1	13405846	Revolving Frame	1	
2	A210804000002	Adaptor, Grease	1	
3	A820205000858	Fitting	2	
4	B230103000977	Hose AS	1	
5	13404848	hydraulic pilot drawing	1	2-6
6	13404913	Hydraulic Pilot Pipeline	1	2-62
7	11133779	Protective Sleeve	1	
8	13387305	cab assem	1	2-100
9	13388025	Covering parts assembly	1	2-136
10	13402088	power system	1	2-166
11	11133753	Protective Sleeve	1	
12	13405996	counterweight assembly	1	2-276
13	12841202	Sealing board assembly	1	2-278
14	A311141609016	Bolt	24	
15	10613201	Protective sleeve	1	
16	11225695	Protective sleeve	2	
17	11685533	Battery Cover	1	
18	A210111000092	Bolt	2	
19	60060565	Washer	2	
20	11225713	battery atten	1	
21	10569316	Battery atten	2	
22	11587179	Plate Pressure Pattery	1	
23	A820301015908	Double-threaded Stud	4	
24	24000868	Nut M10GB6170 dacrotizing	8	
25	A820606030918	Protective sleeve	2	
26	12655338	fixed frame	1	
27	12655827	grease gun clip	1	
28	12910031	Air conditioning	1	2-280
29	12158298	Protective Sleeve	2	
30	11225694	Protective sleeve	1	
31	10613200	Protective sleeve	1	
32	A820606030364	Gasket	1	
33	A820101117871	Cover	1	
34	A210111000202	Bolt	2	
35	A210491000121	Washer	4	
36	A210110000239	Bolt	3	
37	A210491000122	Washer	3	
38	A820101327187	shim	15	
39	11225691	Protective sleeve	1	
40	11133805	Protective Sleeve	1	



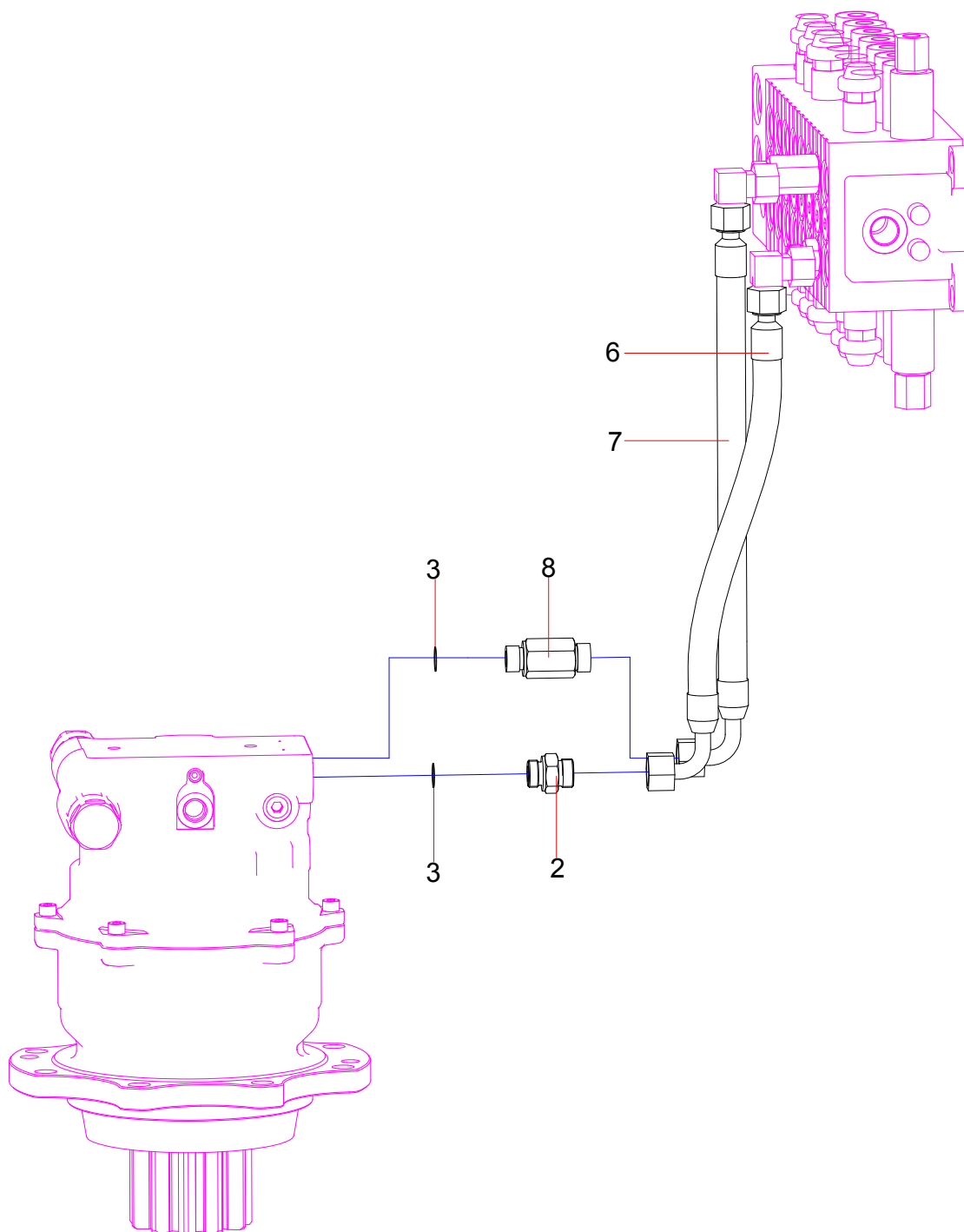
No.	Part No.	Description	Qty	Page number
41	14103713	fixed plate	1	
42	A210111000212	Bolt	2	
43	A210491000118	Washer	2	



No.	Part No.	Description	Qty	Page number
1	B230103000858	Rubber Hose	4	
2	A820205000843	Fitting	10	
3	B230101000090	O-Ring	11	

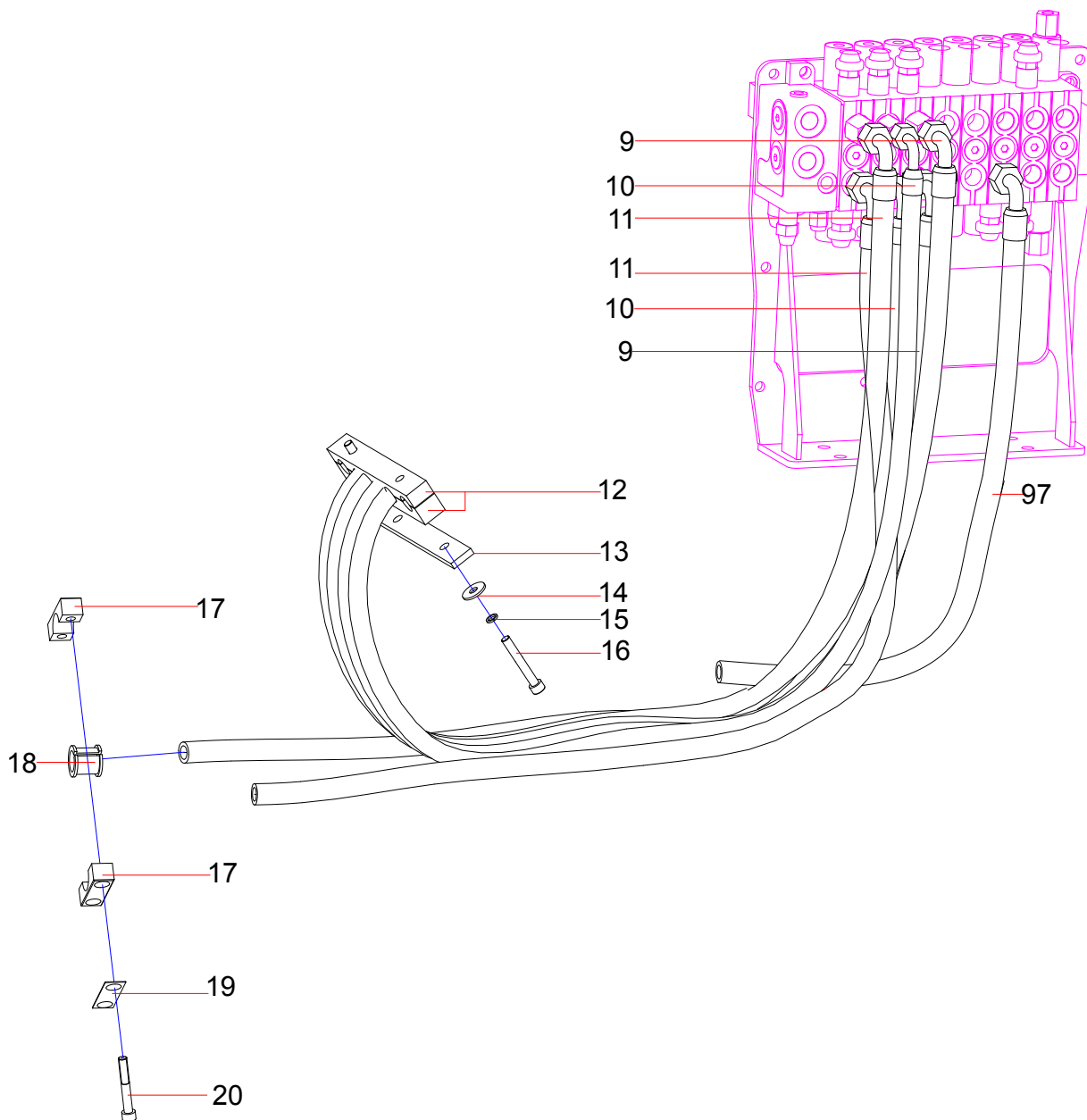


No.	Part No.	Description	Qty	Page number
2	A820205000843	Fitting	10	
3	B230101000090	O-Ring	11	
4	B230103000353	Rubber hose	1	
5	61010380	Rubber Hose	1	

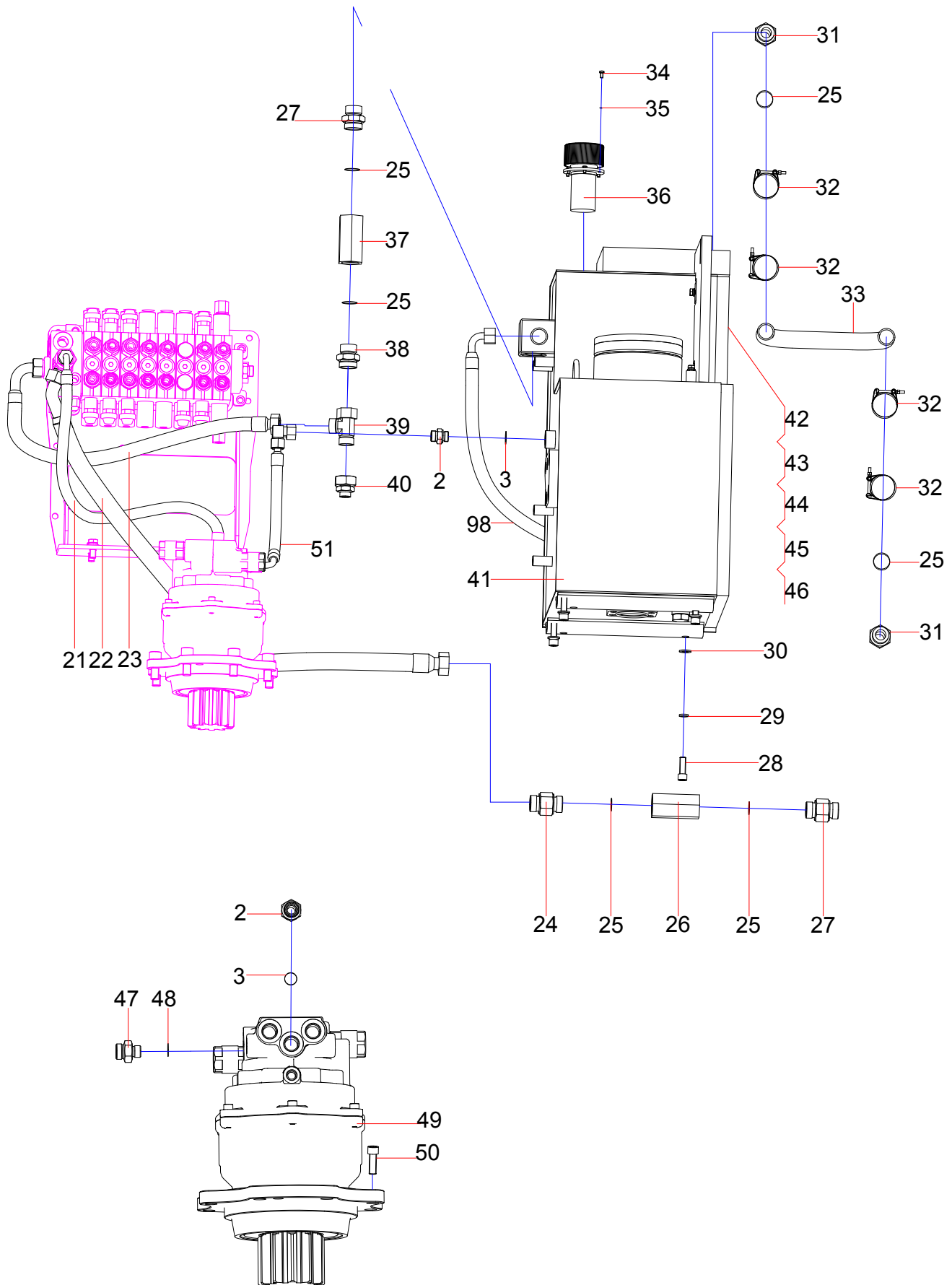




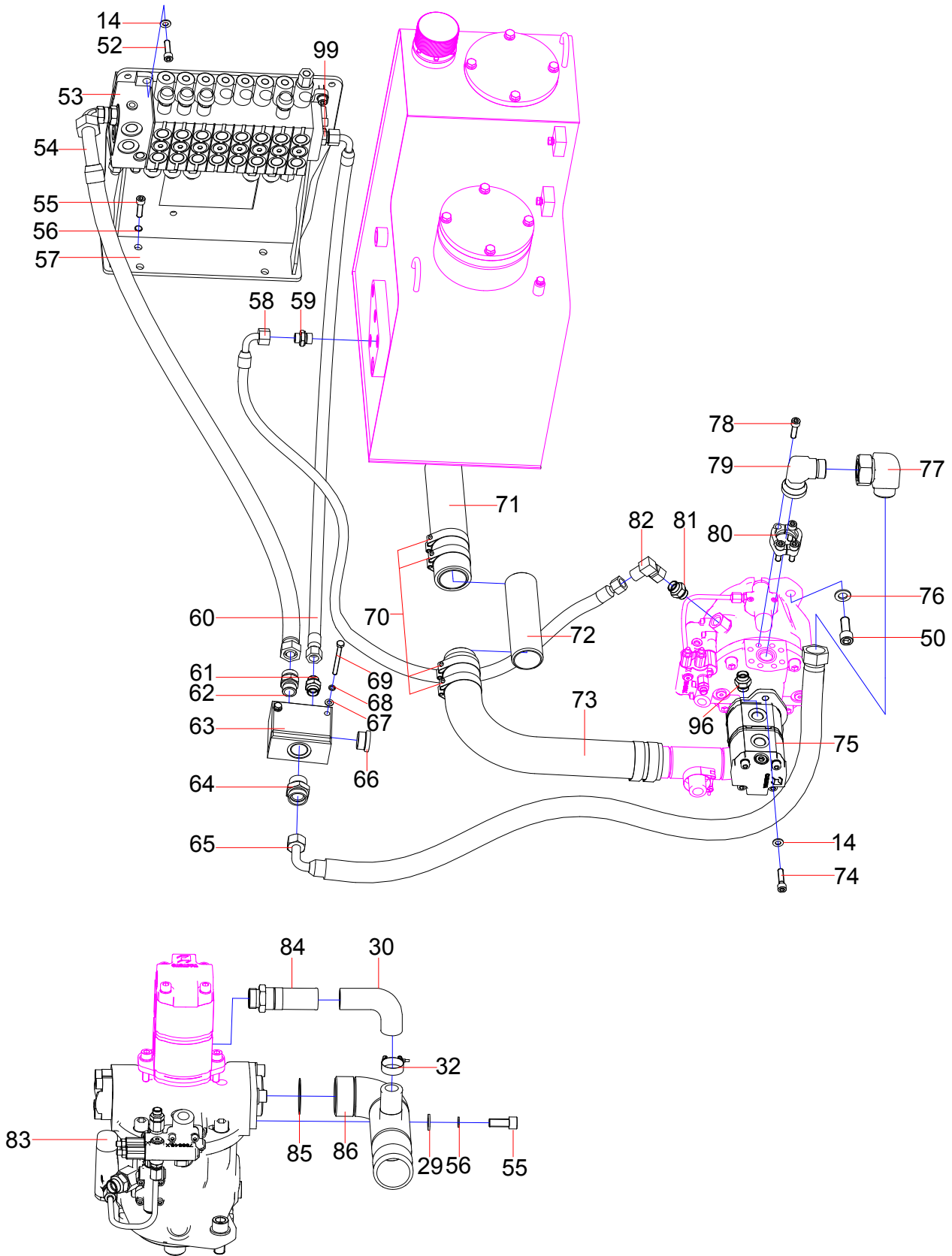
No.	Part No.	Description	Qty	Page number
2	A820205000843	Fitting	10	
3	B230101000090	O-Ring	11	
6	60312194	rubber hose	1	
7	B230103004830	Hose	1	
8	10547806	Connector	1	



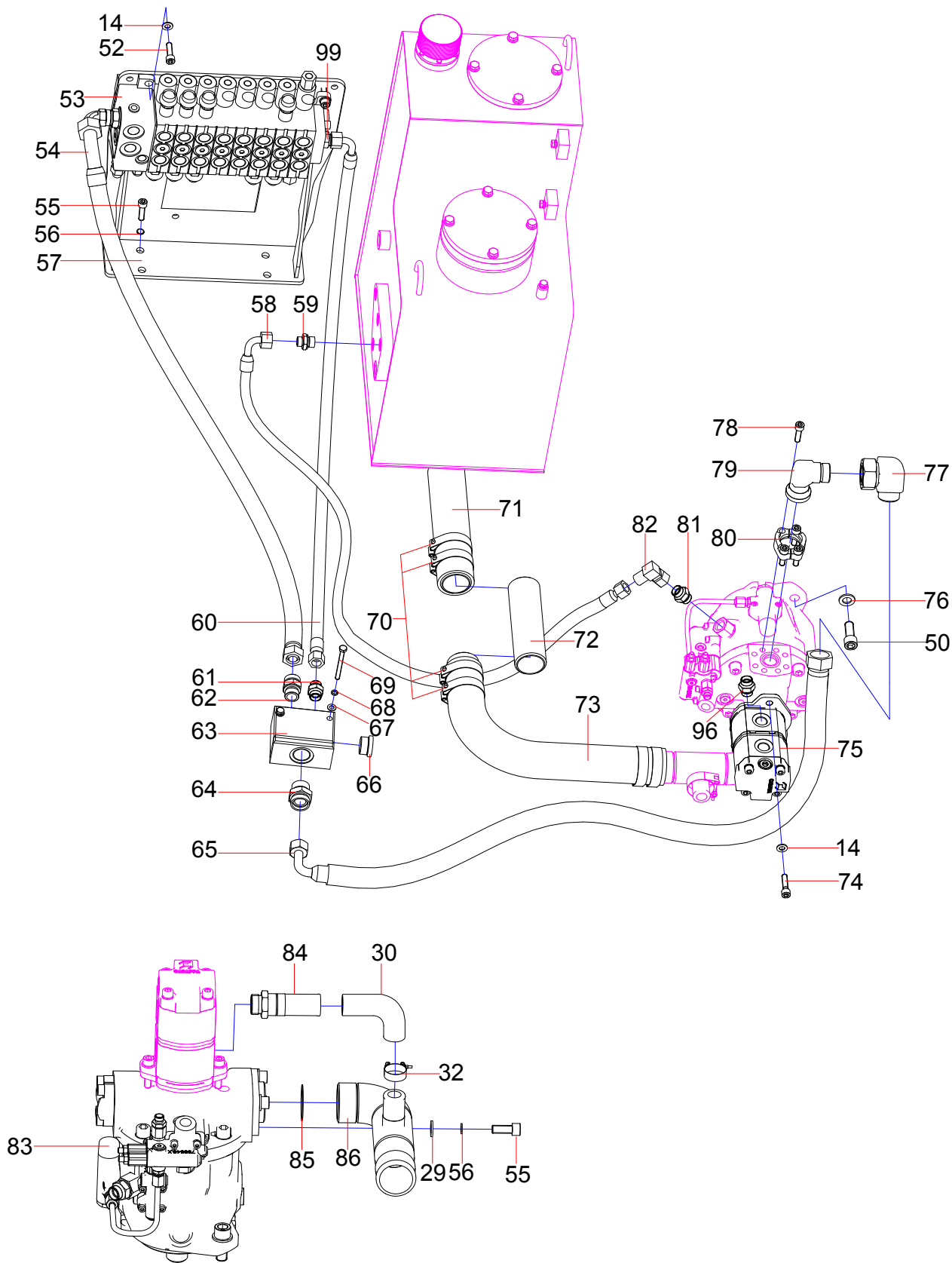
No.	Part No.	Description	Qty	Page number
9	60153885	RubberHose	2	
10	21032354	Rubber Hose	2	
11	60212773	Rubber Hose	2	
12	10541232	Hose tube clamp	2	
13	10541233	Board	1	
14	24000637	Washer	8	
15	24000512	Washer	2	
16	A210204000345	Screw	2	
17	11664307	Mounting block	4	
18	A820202005473	Clamp, pipe, rubber	2	
19	10542627	Board	2	
20	A210204000335	Screw	4	
97	B230103003719	Rubber Hose 2SN12-DKOL-DKOL90-2550	1	



No.	Part No.	Description	Qty	Page number
2	A820205000843	Fitting	10	
3	B230101000090	O-Ring	11	
21	61010379	Rubber Hose	1	
22	60340414	rubber hose	1	
23	B230103001169	Rubber Hose	1	
24	A820205002468	Connector	1	
25	B230101000050	O-ring	7	
26	A220401000334	One-Way Valve	1	
27	A820205002464	Connector	2	
28	A210204000206	Screw	4	
29	24000639	Washer	8	
30	13389704	molding hose	1	
31	12879311	Return Joint	2	
32	60021998	T-type anchor ear	6	
33	12878948	Suction hose	1	
34	60249819	Screw	4	
35	24000632	Washer	4	
36	60237031	Breather Valve	1	2-22
37	60278827	Check Valve	1	
38	A820205002466	G1-M30 Connector	1	
39	B210780000018	Fitting, Tee	1	
40	B210780000070	Fitting, Adapter	1	
41	13410775	Hydraulic Fuel Tank Assy	1	2-24
42	13149492	Sponge I	1	
43	12267308	Sponge I	1	
44	12267399	Sponge II	1	
45	11148288	Sponge II	1	
46	12546522	Sponge II	1	
47	21011029	Pipe connector	1	
48	B230101000049	O-ring	1	
49	B229900005731	Reducer assembly	1	2-26
50	A210204000203	Screw	10	
51	B230103001444	Hose	1	
98	60238672	rubber hose	1	

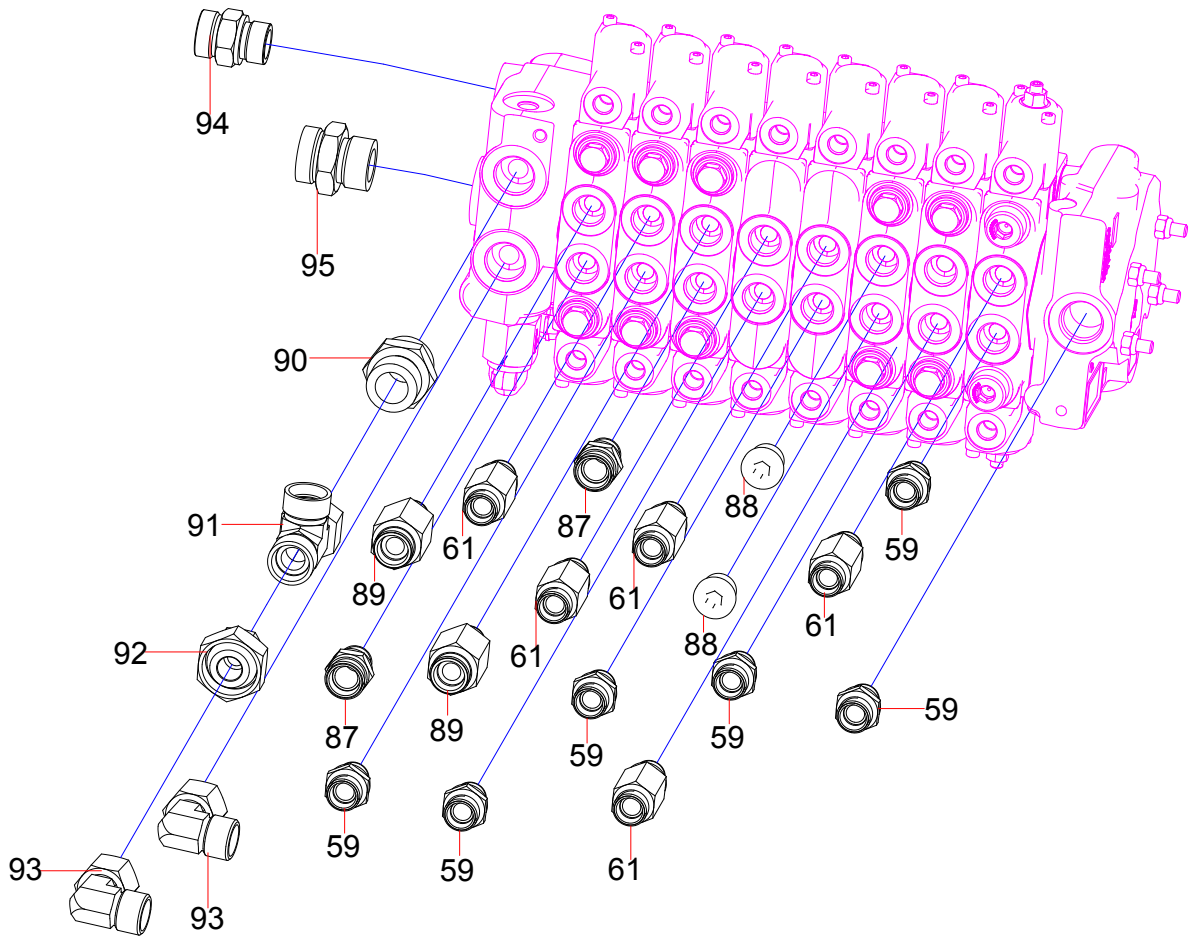


No.	Part No.	Description	Qty	Page number
14	24000637	Washer	8	
29	24000639	Washer	8	
30	13389704	molding hose	1	
32	60021998	T-type anchor ear	6	
50	A210204000203	Screw	10	
52	A210204000215	Screw	5	
53	60249547	Multi-port valve	1	2-36
54	21010011	Hose Assembly	1	
55	A210111000202	Bolt	12	
56	24000513	Washer	12	
57	14016168	Valve rack	1	
58	B230103004802	Hy hose 1SN12-DKOL-DKOL90-1650Q/SY1102	1	
59	11147089	G1/2(ED)-M22-L35 connector	7	
60	B230103001883	Rubber hose	1	
61	11147279	G1/2(ED)-M22-L65 connector	7	
62	B210780001347	Connector, pipe	2	
63	13260586	Oil collection block	1	
64	24001376	Fitting, connector	1	
65	151008210060A	Rubber hose	1	
66	B210780000896	Screw plug	1	
67	24000633	Washer	8	
68	A210401000017	Washer	5	
69	A210111000097	Bolt	2	
70	A229900003104	Clamp	8	
71	12267119	Suction hose	1	
72	12264471	Oil suction adaptor	1	
73	13389111	Suction hose	1	
74	A210204000355	Screw	2	
75	60259660	2-section gear pump	1	2-56
76	A210491000118	Washer	2	
77	B210780001241	Fitting, Elbow	1	
78	A210204000147	Screw	3	
79	A229900002603	Fitting, Elbow, Flange	1	
80	B210780000244	Flange, Split	2	
81	B210780000041	Connector, Pipe	1	
82	B210780000025	Fitting, Elbow	12	
83	60262517	Plunger Pump	1	2-58
84	13725479	suction adapter	1	
85	B230101000366	O-ring	1	
86	13387999	Oil suction steel pipe	1	

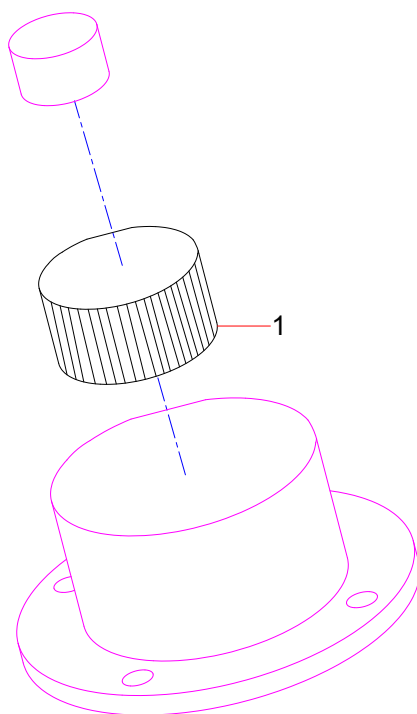




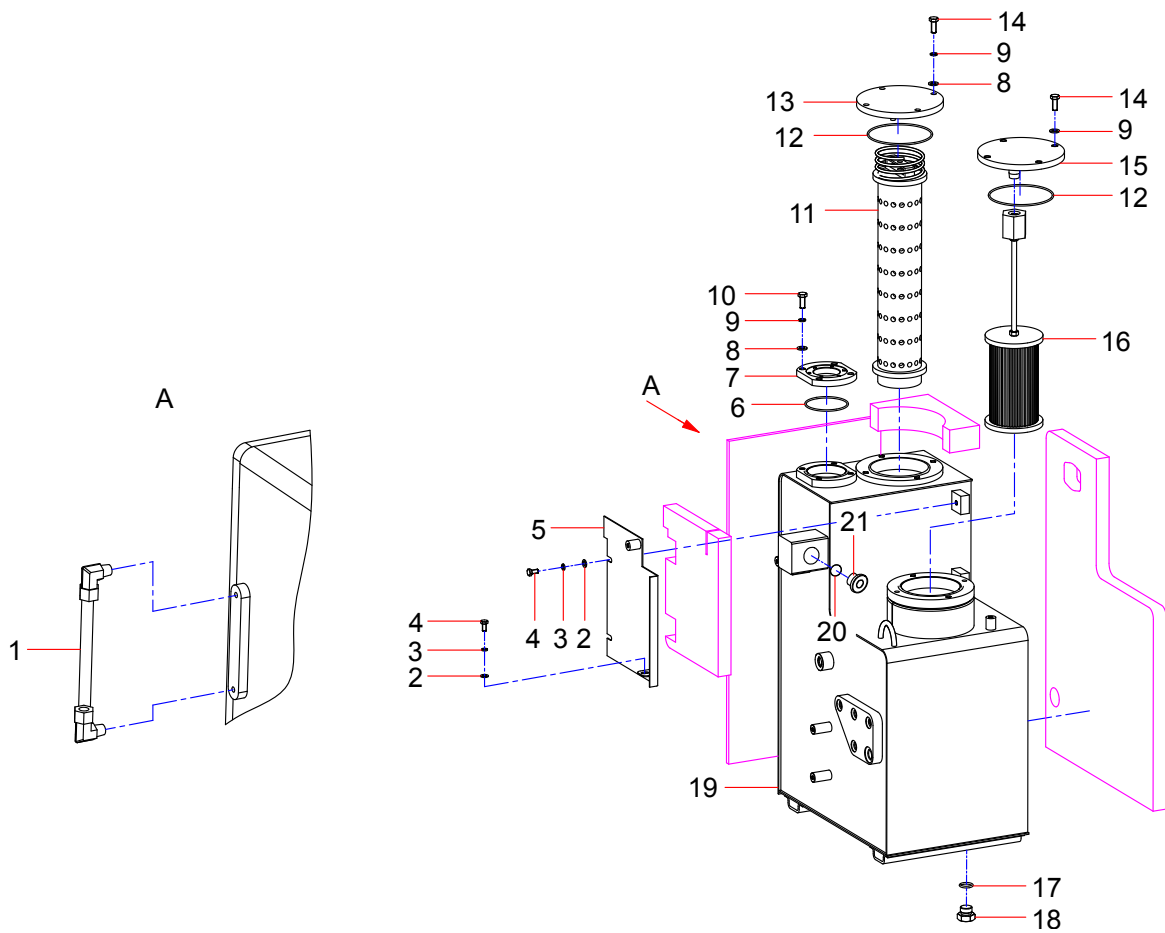
No.	Part No.	Description	Qty	Page number
96	B210780000179	Fitting, Adapter	2	
99	B210780000824	Stud Straight Connector	1	



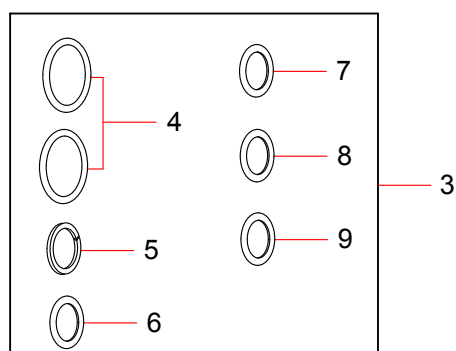
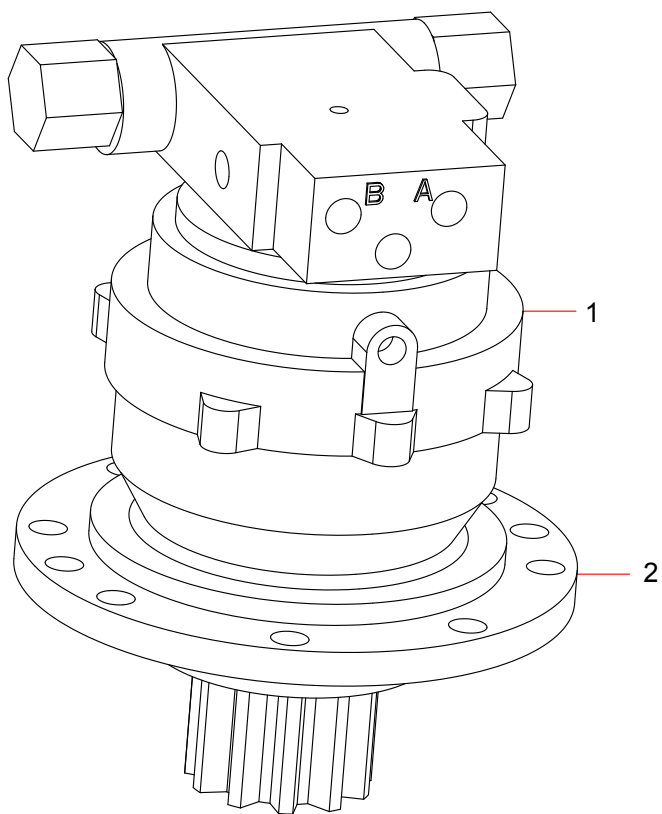
No.	Part No.	Description	Qty	Page number
59	11147089	G1/2(ED)-M22-L35 connector	7	
61	11147279	G1/2(ED)-M22-L65 connector	7	
87	B210780000141	Fitting, Adapter	2	
88	B210780001384	Screw plug	1	
89	11147213	G1/2(ED)-M26-L65 connector	2	
90	B210780000626	Connector, pipe	1	
91	21051021	Fitting, tee, L-shape	1	
92	B210780000629	Reducer Tube Adaptor With Swivel Nut	1	
93	B210780000029	Fitting, Elbow	3	
94	60202196	Pipe connector	1	
95	B210780000421	Fitting, Adapter	1	



No.	Part No.	Description	Qty	Page number
1	60174894	Filter, hydraulic tank breather	1	

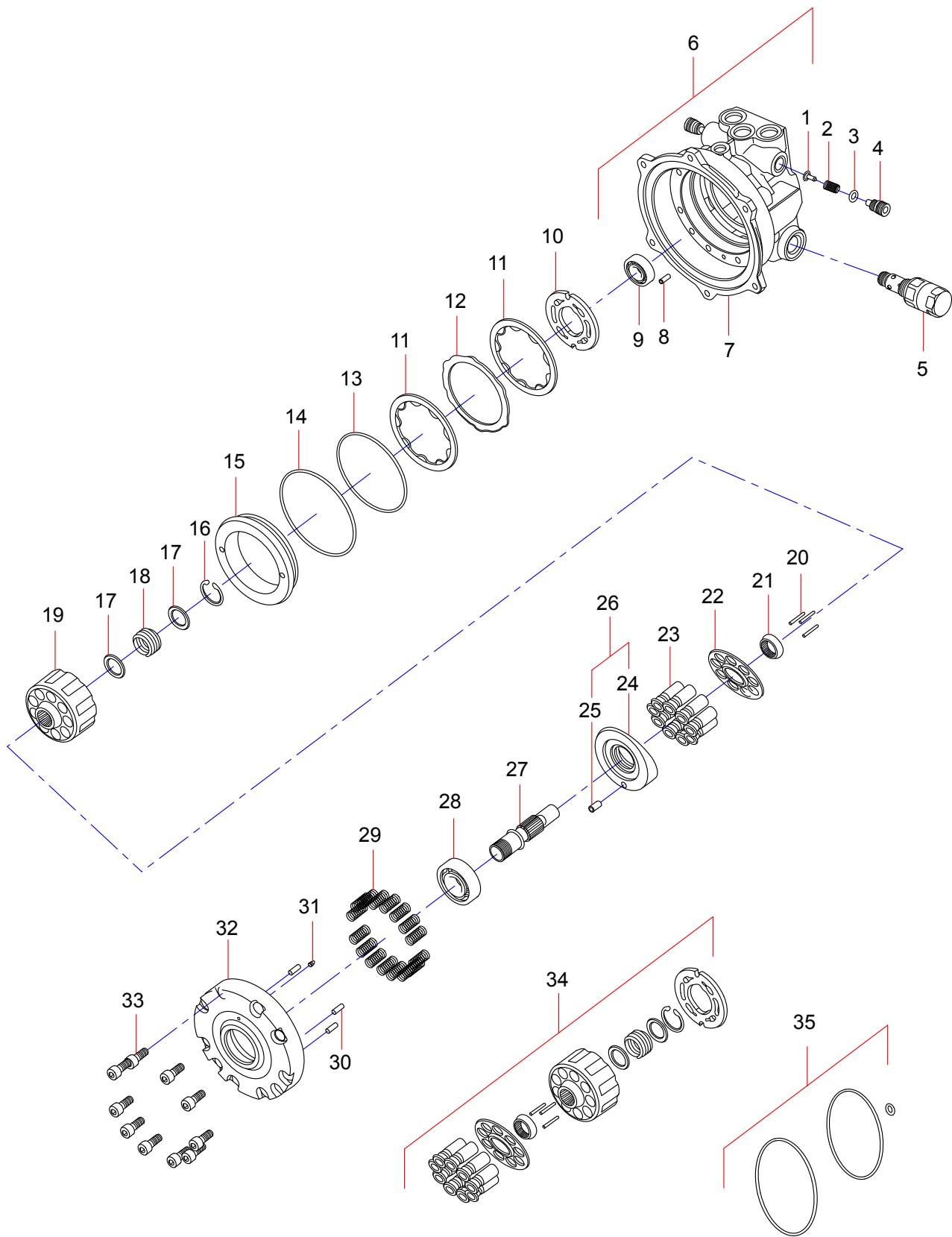


No.	Part No.	Description	Qty	Page number
1	A250100000174	Gauge, sight glass	1	
2	A210111000342	Bolt	3	
3	24000633	Washer	3	
4	24000511	Washer	3	
5	13139288	Middle partition plate	1	
6	B230101000039	O-ring	1	
7	12267004	Flange	1	
8	A210491000120	Washer	8	
9	24000512	Washer	12	
10	23000066	Screw	4	
11	60072195	Oil return filter	1	
12	B230101000614	O-ring	2	
13	A810201011303	Oil return cover	1	
14	A210204000354	Screw	8	
15	10541196	Suction Cover	1	
16	60081613	Oil suction filter	1	
17	B230101000356	O-ring	1	
18	10514225	Screw plug	1	
19	13515651	Hydraulic Fuel Tank	1	
20	B230101000090	O-Ring	1	
21	60118026	Plug	1	

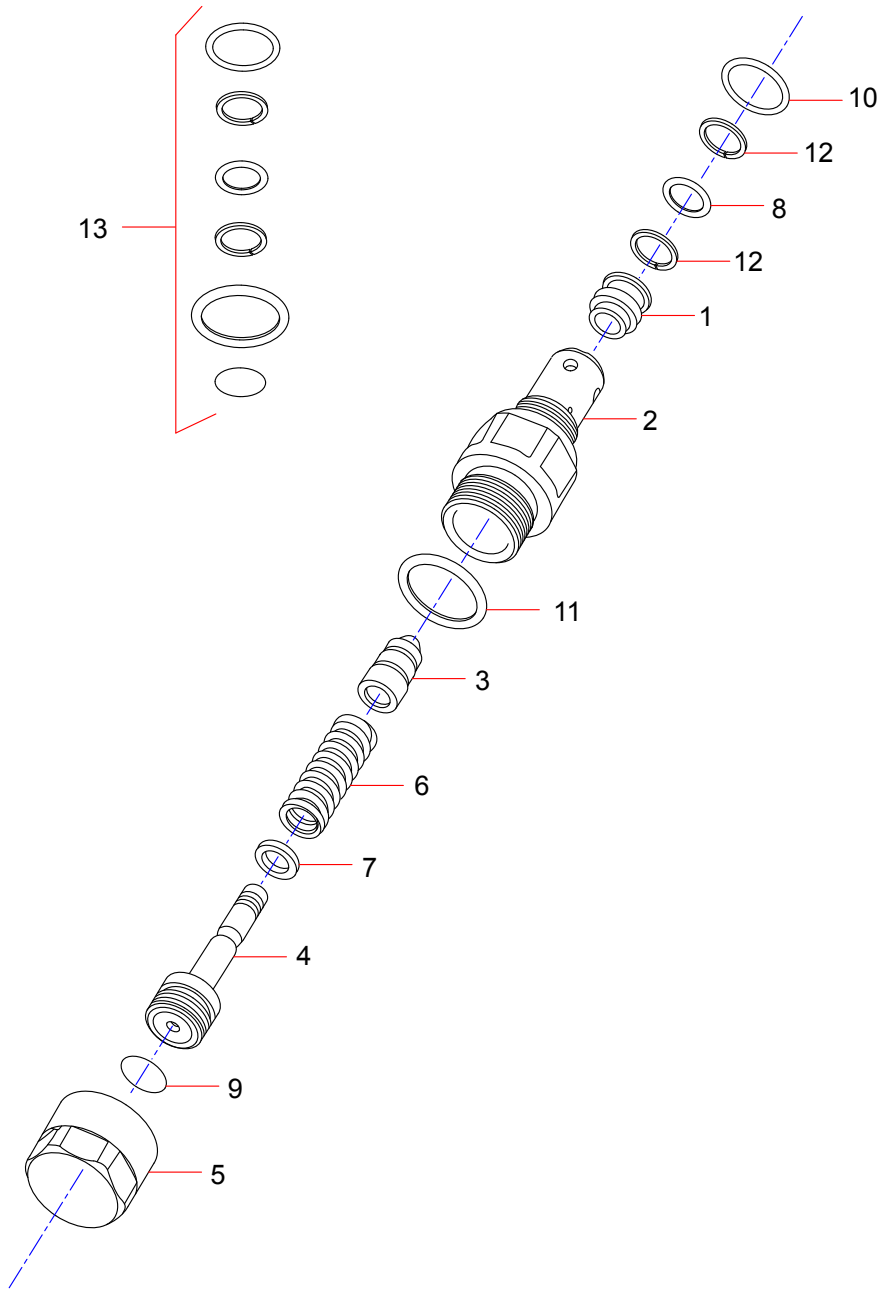




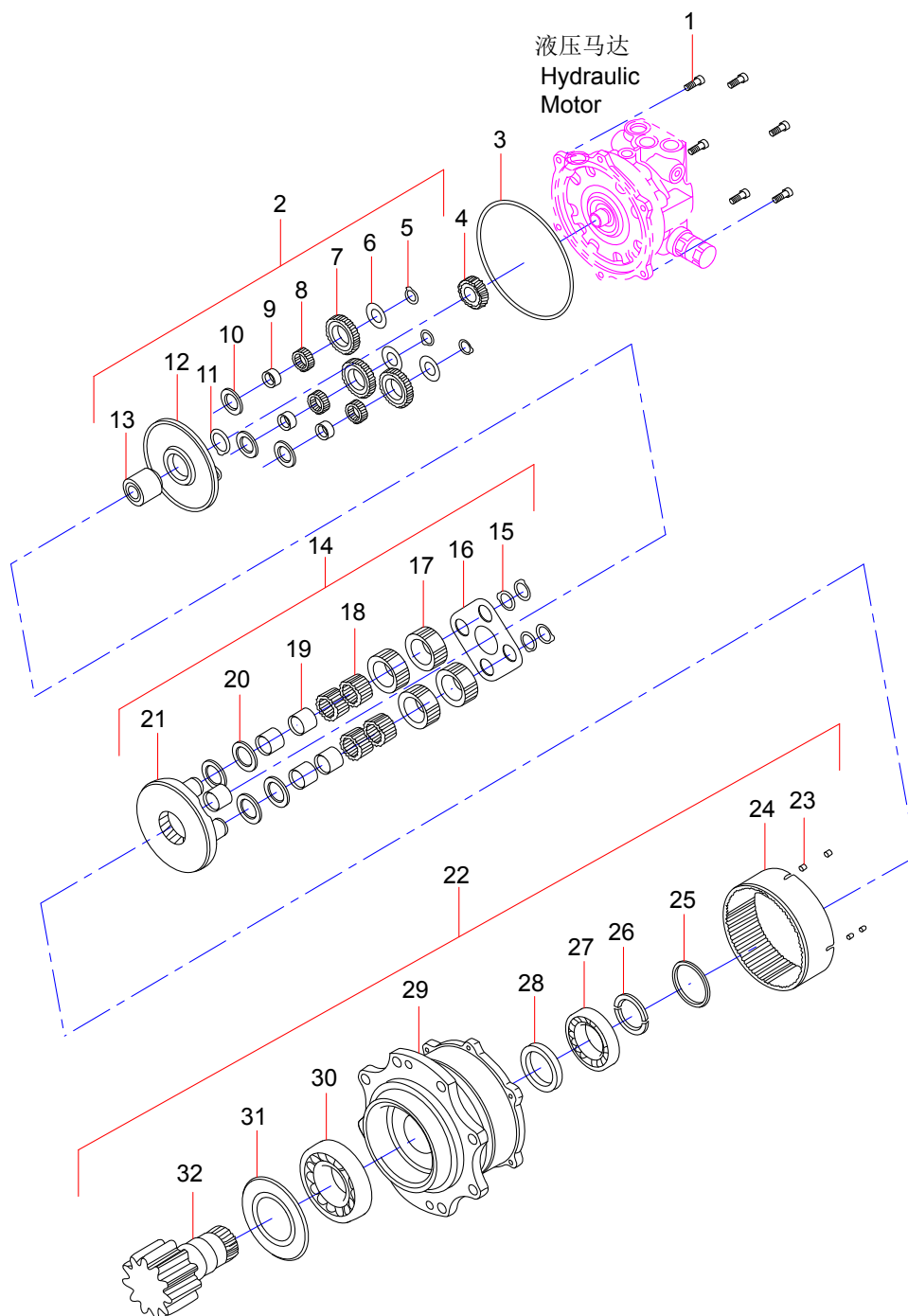
No.	Part No.	Description	Qty	Page number
1	60164190	Hydraulic motor group	1	2-28
2	60255065	REDUCTION GEAR ASSEMBLY	1	2-32
3	60266025	Reducer assembly repair kit	1	2-34
4	60164379	O RING	2	
5	60164377	O RING	1	
6	60164378	O RING	1	
7	60164374	O RING	1	
8	60164393	OIL SEAL	1	
9	60164392	RING SEAL	1	



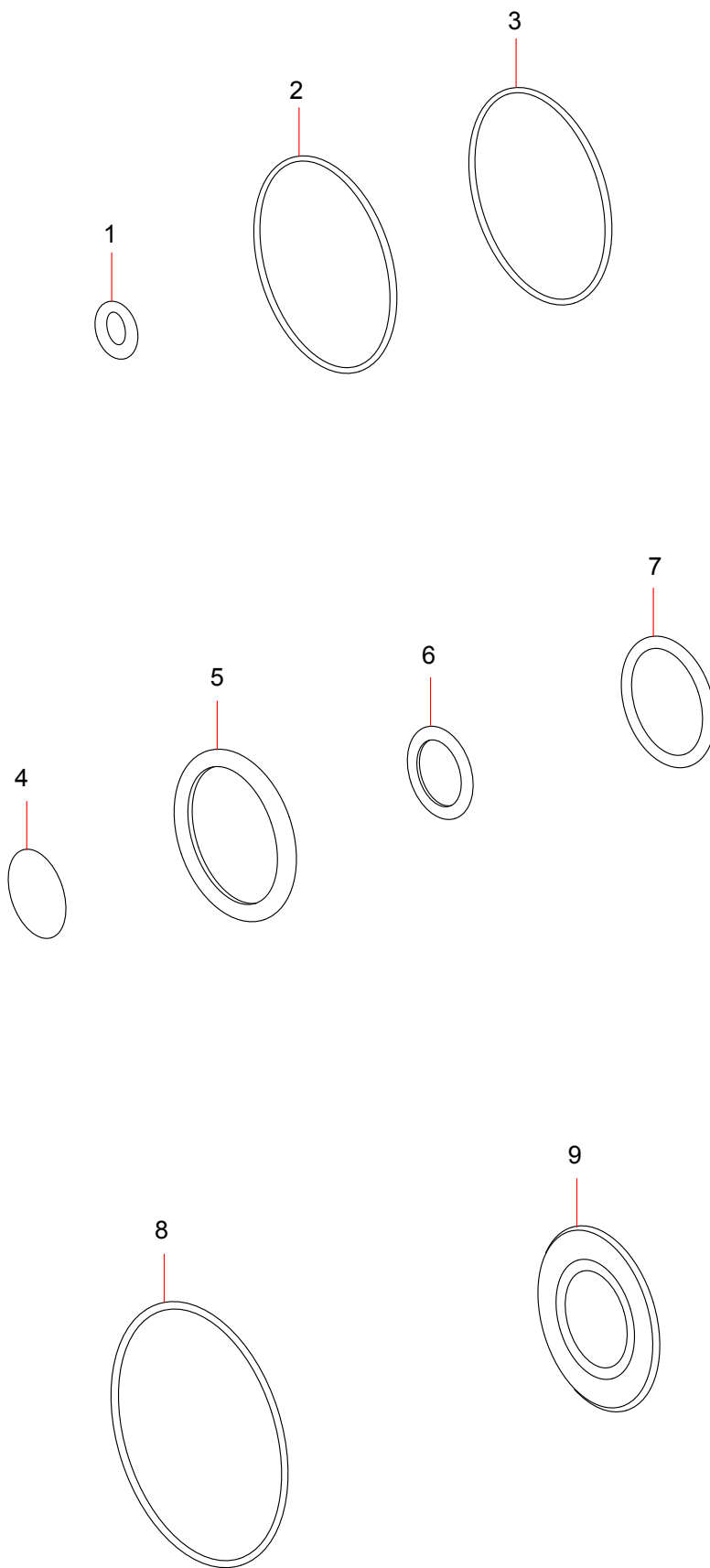
No.	Part No.	Description	Qty	Page number
1	60164173	CHECK VALVE	2	
2	60164234	SPRING	2	
3	60164379	O RING	2	
4	60164268	PLUG	2	
5	60164187	RELIEF VALVE	2	2-30
6	60164224	BODY J KIT SUN ASSY	1	
7	60164223	BODY H	1	
8	60164243	SPRING PIN	1	
9	60164197	BEARING	1	
10	60164317	VALVE PLATE	1	
11	60164164	DISK PLATE	2	
12	60164163	STEEL PLATE	1	
13	60164377	O RING	1	
14	60164378	O RING	1	
15	60164355	BRAKE PISTON	1	
16	60167124	SNAP PING	1	
17	60164253	RETAINER	2	
18	60164222	SPRING C	1	
19	60164157	CYLINDER BARREL	1	
20	60164328	PIN	3	
21	60164320	BARREL HOLDER	1	
22	60164165	SHOE HOLDER	1	
23	60164358	PISTON ASSY	1	
24	60164332	SWASH PLATE	1	
25	60164326	PIN	1	
26	60164333	SWASH PLATE KIT SUN ASSY	1	
27	60164227	SHAFT	1	
28	60164198	BEARING	1	
29	60164232	SPRING B	16	
30	60164322	PIN	3	
31	60164220	FILTER	1	
32	60164335	PLATR S	1	
33	60164376	SCREW	10	
34	60164358	PISTON ASSY	9	
35	60164336	Kit, seal	1	



No.	Part No.	Description	Qty	Page number
1	60164275	SEAT	1	
2	60164176	RETAINER	1	
3	60164183	POPPET	1	
4	60164184	PISTON	1	
5	60164270	CAP	1	
6	60164238	SPRING	1	
7	60164244	SPACER	1	
8	60164380	O RING	1	
9	60164384	O RING	1	
10	60164385	O RING	1	
11	60164381	O RING	1	
12	60164340	BACK UP RING	2	
13	60164225	Kit, seal	1	

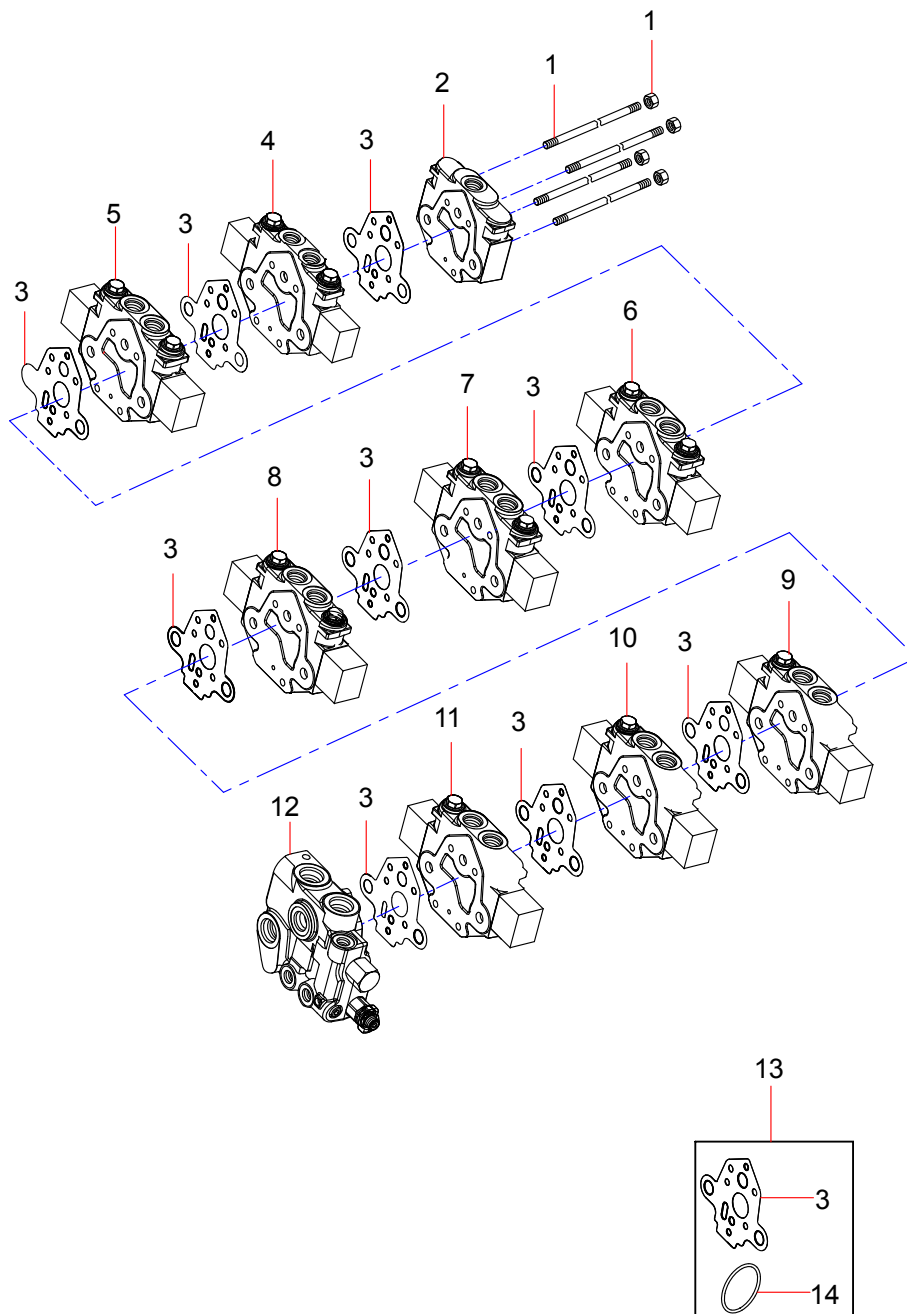


No.	Part No.	Description	Qty	Page number
1	60164310	SCREW	6	
2	60164152	CARRIER 2 KIT	1	
3	60164374	O RING	1	
4	60164213	S2 GEAR	1	
5	60164301	SNAP RING	3	
6	60164256	THRUST WASHER	3	
7	60164207	B2 GEAR	3	
8	60164212	NEEDLE	69	
9	60164396	RING 2	3	
10	60164254	THRUST WASHER	3	
11	60164300	SNAP RING	1	
12	60164146	CARRIER 2	1	
13	60164209	S1 GEAR	1	
14	60164151	CARRIER 1 KIT	1	
15	60167123	SNAP RING	4	
16	60167120	THRUST PLATE	1	
17	60164205	B1 GEAR	4	
18	60164211	NEEDLE	92	
19	60164398	RING 1	4	
20	60164350	THRUST PLATE	4	
21	60164150	CARRIER 1	1	
22	60164214	REDUCTION GEAR SUN ALLY	1	
23	60164327	PIN	4	
24	60164215	A INTERNAL GEAR	1	
25	60164250	RING	1	
26	60164255	THRUST WASHER	2	
27	60164203	BEARING	1	
28	60164393	OIL SEAL	1	
29	60164305	BODY	1	
30	60164202	BEARING	1	
31	60164392	RING SEAL	1	
32	60164330	PINION SHAFT	1	

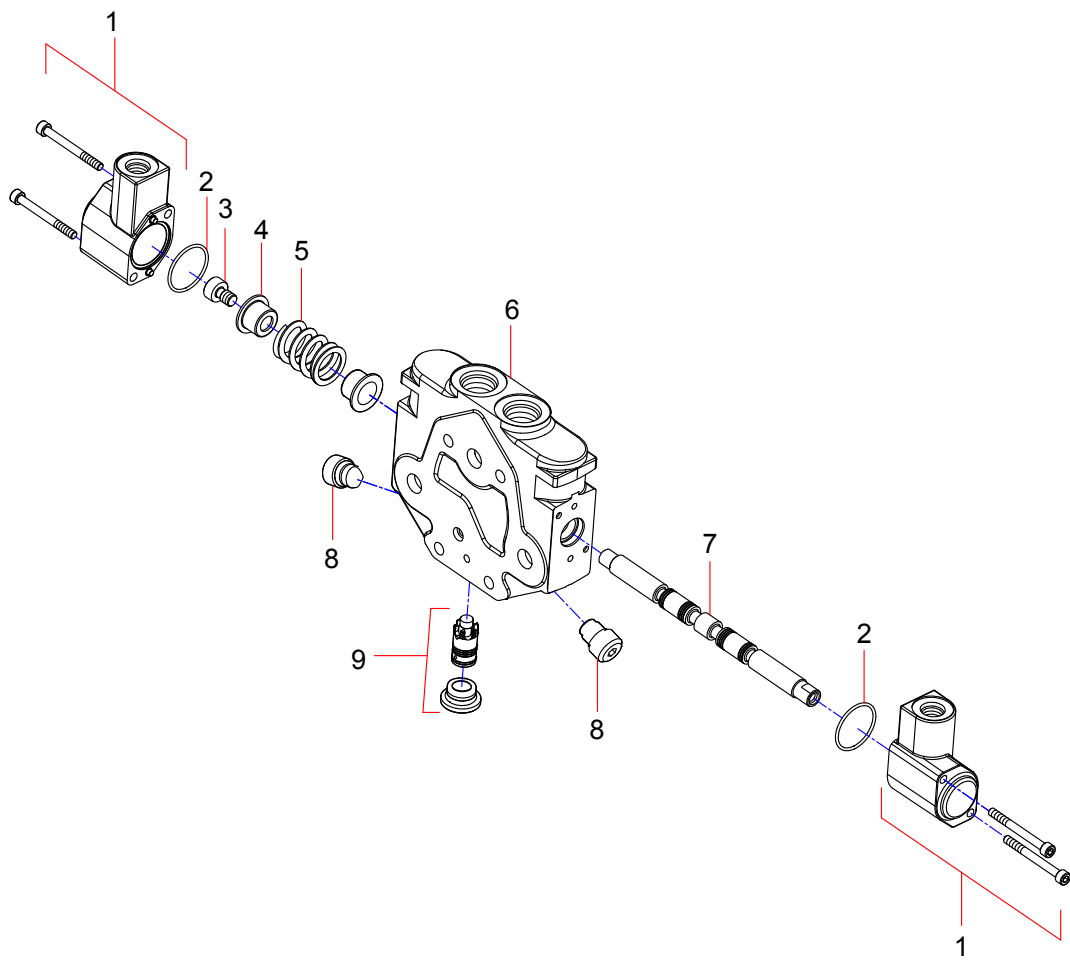




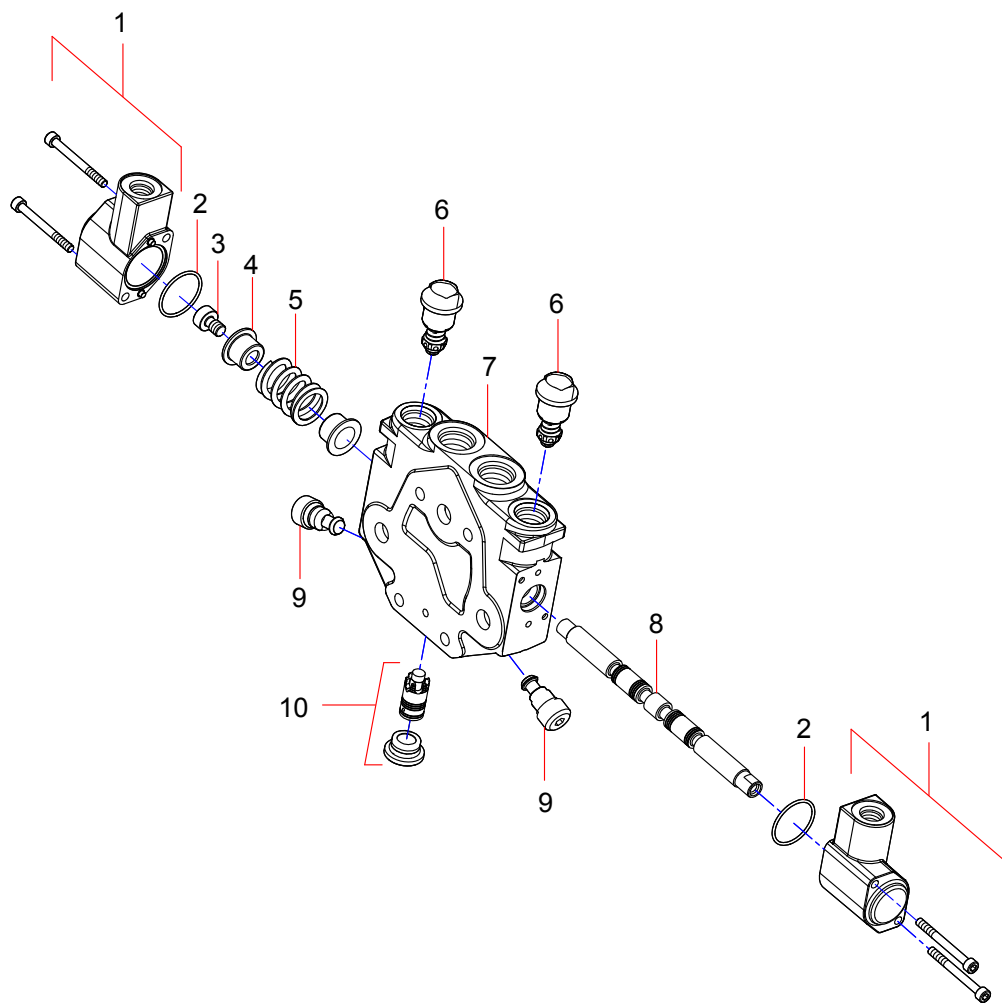
No.	Part No.	Description	Qty	Page number
1	60164379	O RING	2	
2	60164377	O RING	1	
3	60164378	O RING	1	
4	60164384	O RING	1	
5	60164381	O RING	1	
6	60164380	O RING	1	
7	60164385	O RING	1	
8	60164374	O RING	1	
9	60164392	RING SEAL	1	



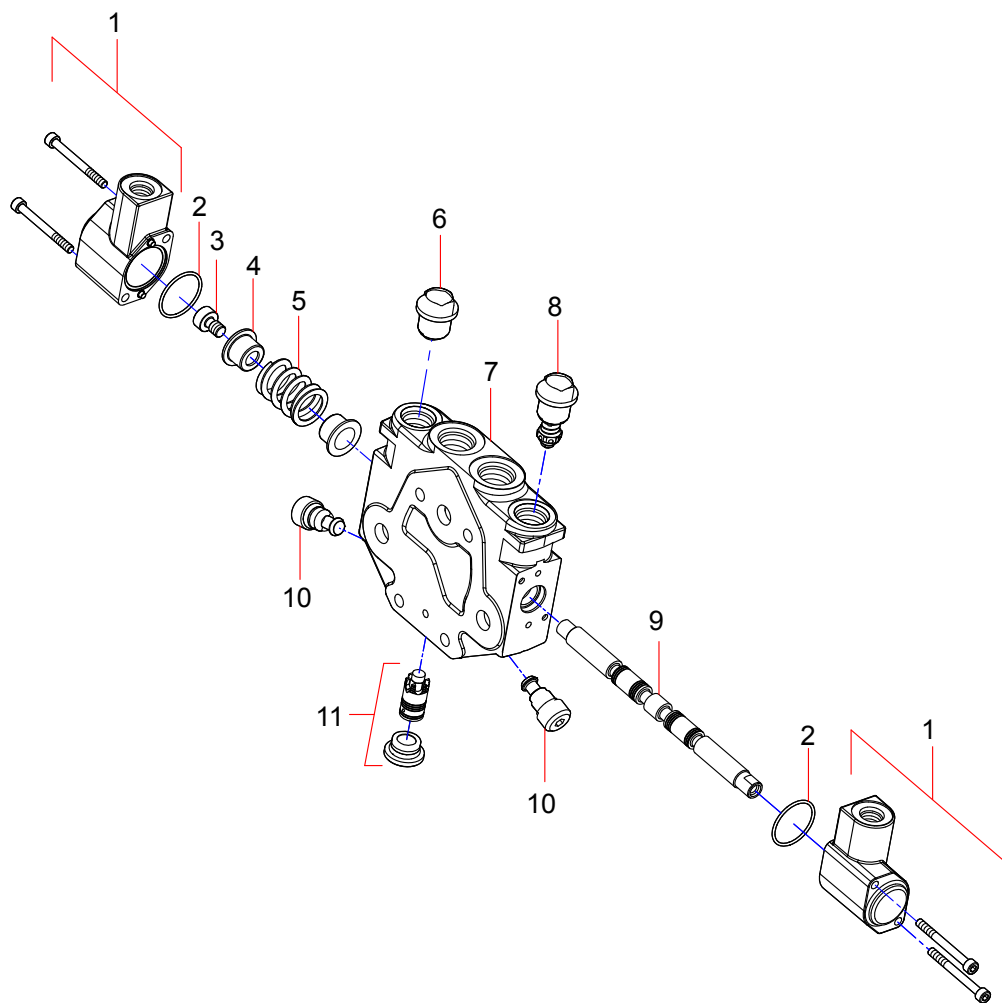
No.	Part No.	Description	Qty	Page number
1	60317877	screw assembly	1	
2	60317876	Final Block	1	
3	60317867	Seal kit between elements	9	
4	60317875	slewing groupware	1	2-38
5	60317874	Bulldozing shovel plate Assembly	1	2-40
6	60317873	option groupware	1	2-42
7	60317872	right travel groupware	1	2-44
8	60317871	left travel groupware	1	2-46
9	60317870	Arm groupware	1	2-48
10	60317869	Bucket groupware	1	2-50
11	60317868	Movable Arm Assembly	1	2-52
12	60317866	Inlet Section Assy	1	2-54
13	60317878	Repair package for main valve	1	
14	60317888	Seal Ring	16	



No.	Part No.	Description	Qty	Page number
1	60317906	End cover	2	
2	60317888	Seal Ring	2	
3	60317911	Lock screw	1	
4	60317910	Spring seat	1	
5	60317909	Spring	1	
6	60317907	Directional valve element	1	
7	60317908	MAIN SPOOL	1	
8	60317894	pressure compensation	1	
9	60317890	One-Way Valve	2	

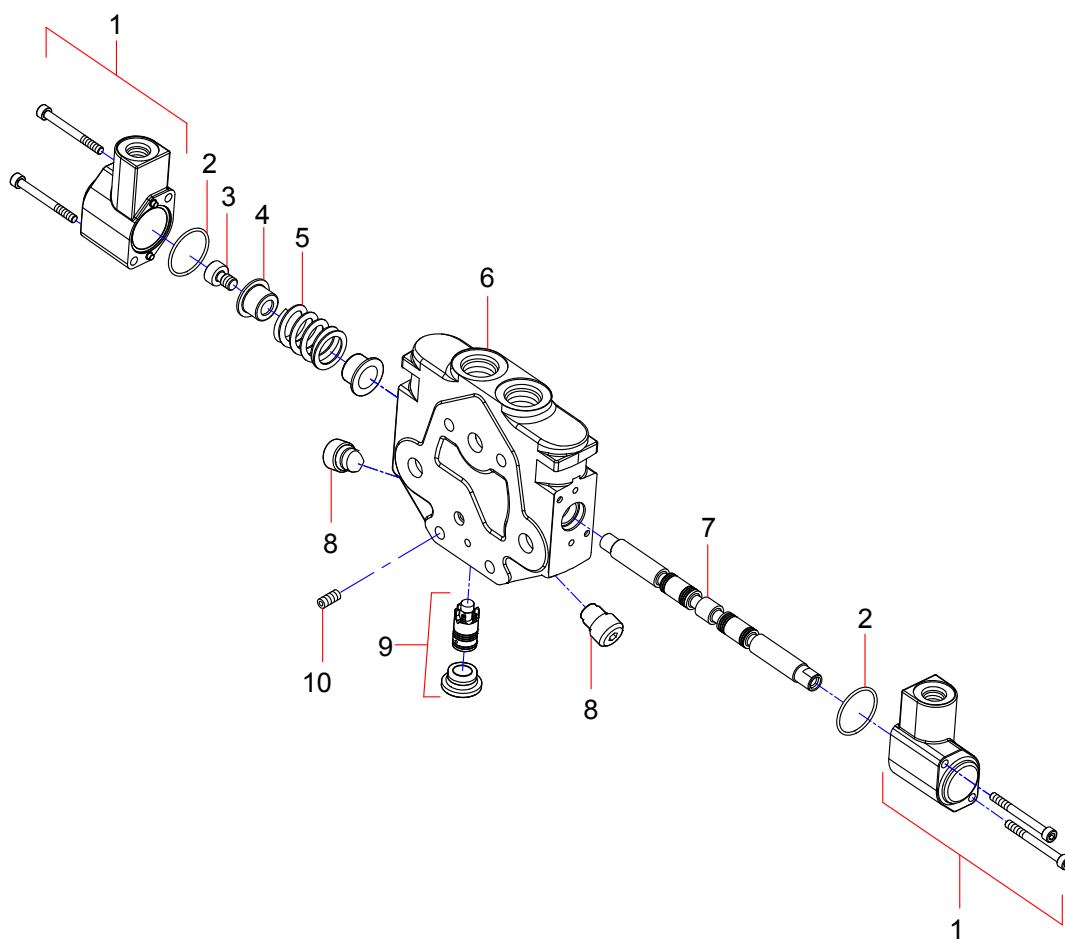


No.	Part No.	Description	Qty	Page number
1	60317887	End cover	2	
2	60317888	Seal Ring	2	
3	60317911	Lock screw	1	
4	60317910	Spring seat	1	
5	60317909	Spring	1	
6	60317889	Secondary Relief Valve	2	
7	60317891	Directional valve element	1	
8	60317905	MAIN SPOOL	1	
9	60317890	One-Way Valve	2	
10	60317894	pressure compensation	1	

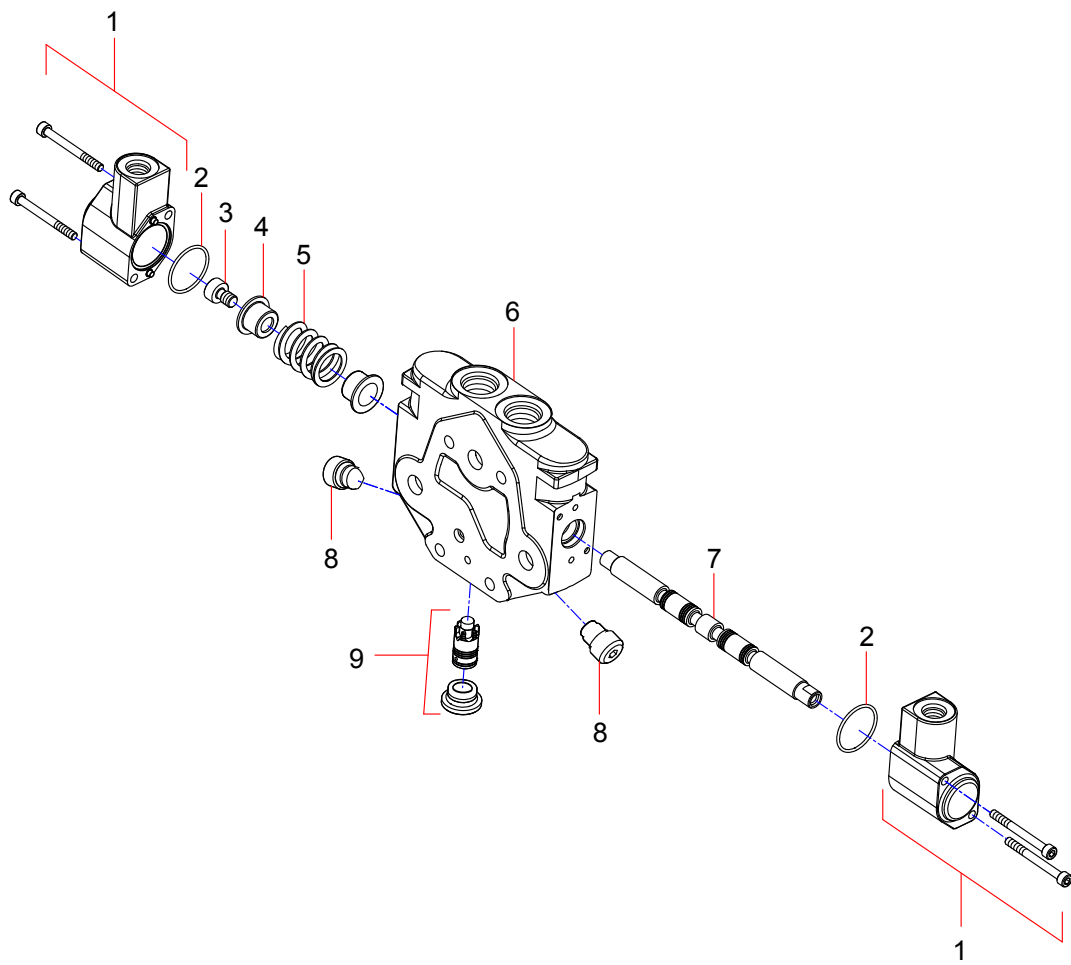




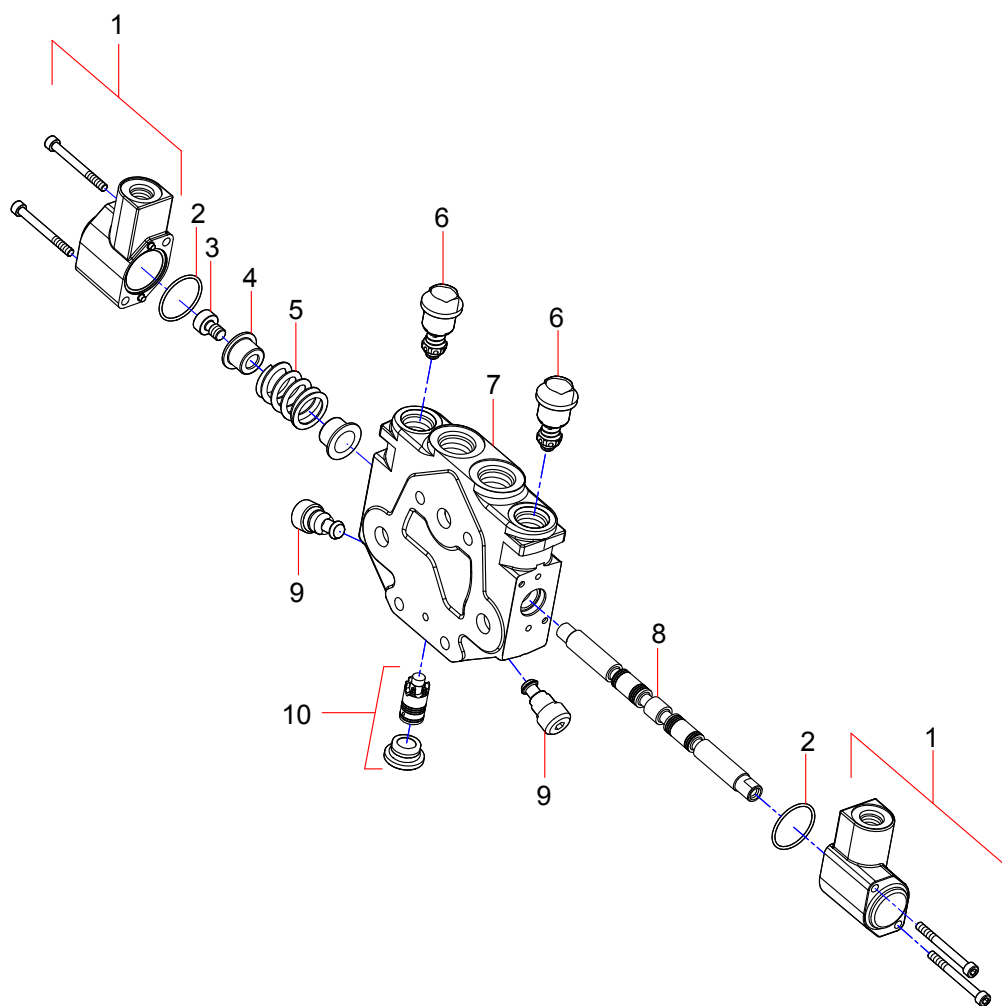
No.	Part No.	Description	Qty	Page number
1	60317887	End cover	2	
2	60317888	Seal Ring	2	
3	60317911	Lock screw	1	
4	60317910	Spring seat	1	
5	60317909	Spring	1	
6	60317902	plug	1	
7	60317891	Directional valve element	1	
8	60317904	secondary Relief Valve	1	
9	60317903	MAIN SPOOL	1	
10	60317890	One-Way Valve	2	
11	60317894	pressure compensation	1	



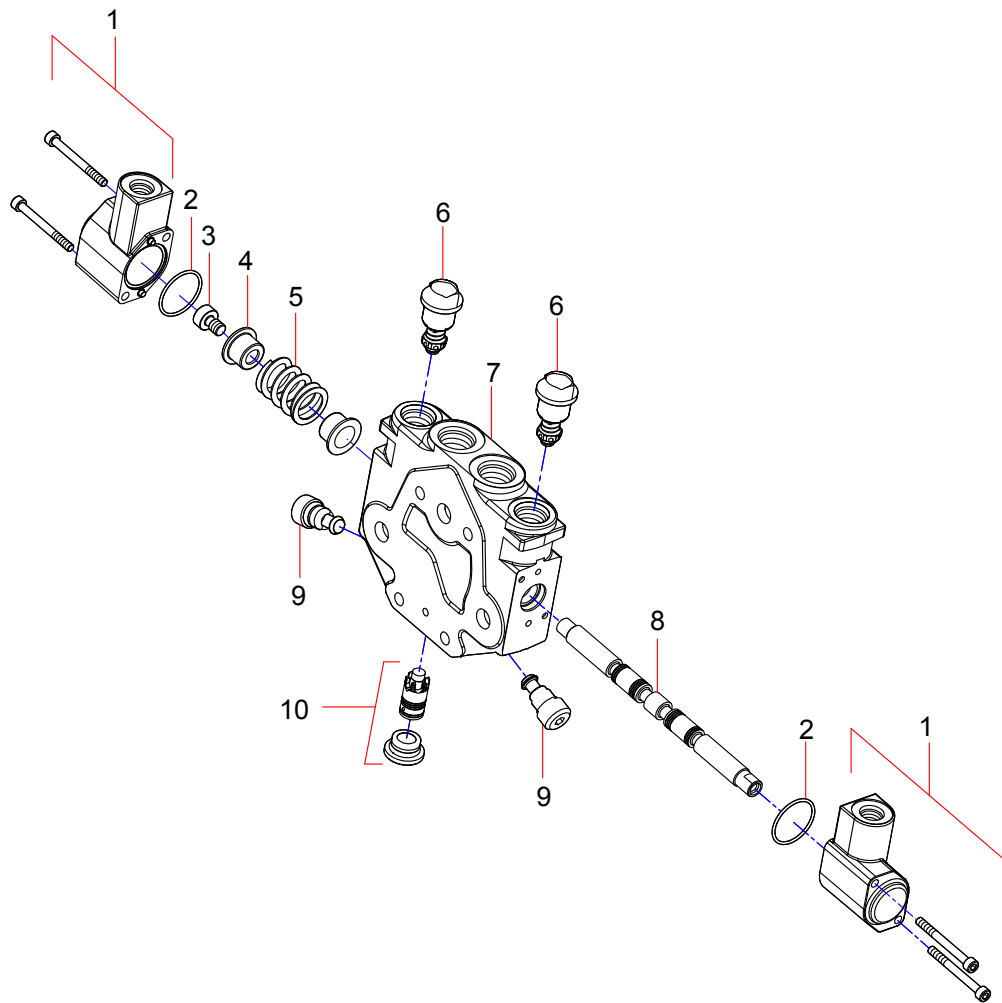
No.	Part No.	Description	Qty	Page number
1	60317887	End cover	2	
2	60317888	Seal Ring	2	
3	60317911	Lock screw	1	
4	60317910	Spring seat	1	
5	60317909	Spring	1	
6	60317899	Travel Valve	1	
7	60317900	Main spool	1	
8	60317898	plug	2	
9	60317894	pressure compensation	1	
10	60317901	Orifice Of Travel Valve	1	



No.	Part No.	Description	Qty	Page number
1	60317887	End cover	2	
2	60317888	Seal Ring	2	
3	60317911	Lock screw	1	
4	60317910	Spring seat	1	
5	60317909	Spring	1	
6	60317899	Travel Valve	1	
7	60317900	Main spool	1	
8	60317898	plug	2	
9	60317894	pressure compensation	1	

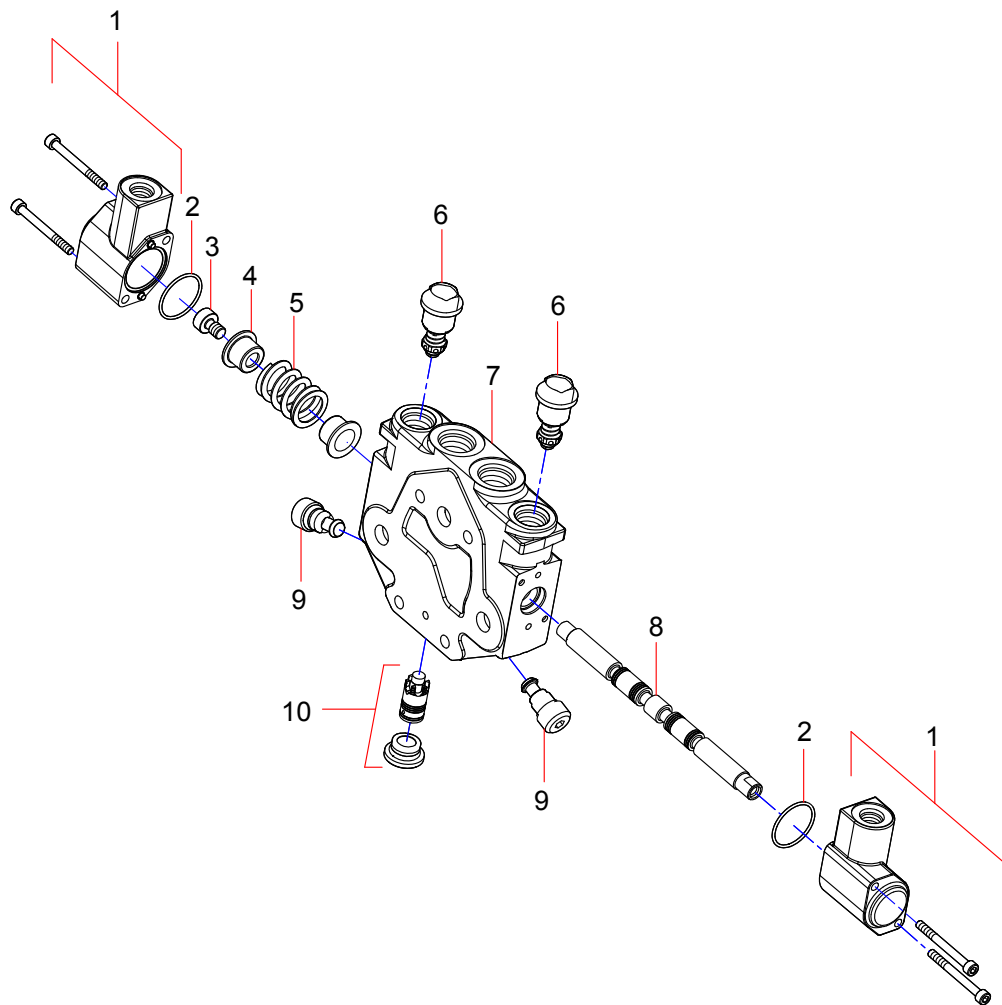


No.	Part No.	Description	Qty	Page number
1	60317887	End cover	2	
2	60317888	Seal Ring	2	
3	60317911	Lock screw	1	
4	60317910	Spring seat	1	
5	60317909	Spring	1	
6	60317889	Secondary Relief Valve	2	
7	60317891	Directional valve element	1	
8	60317897	Main spool	1	
9	60317890	One-Way Valve	2	
10	60317896	pressure compensation	1	

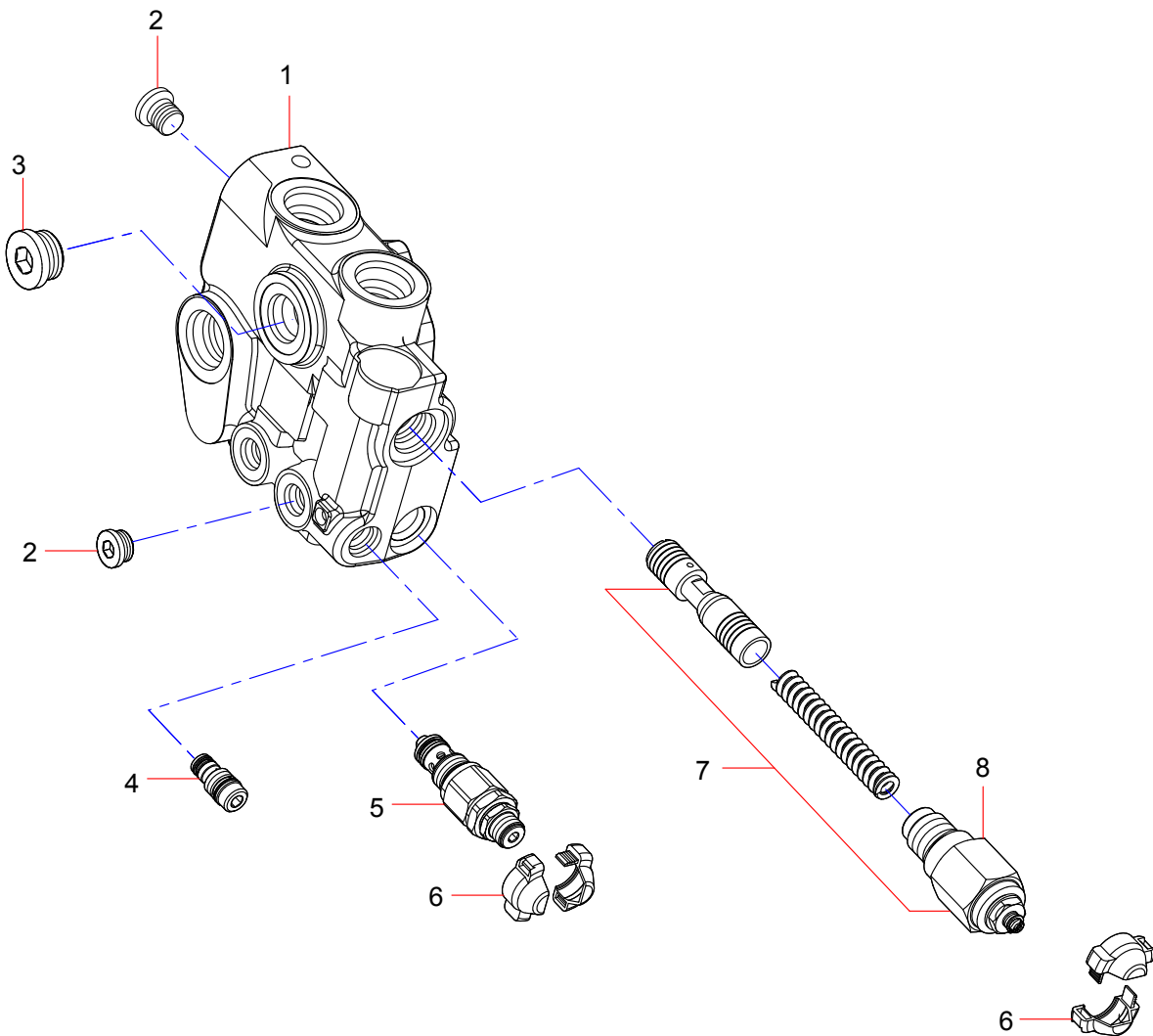




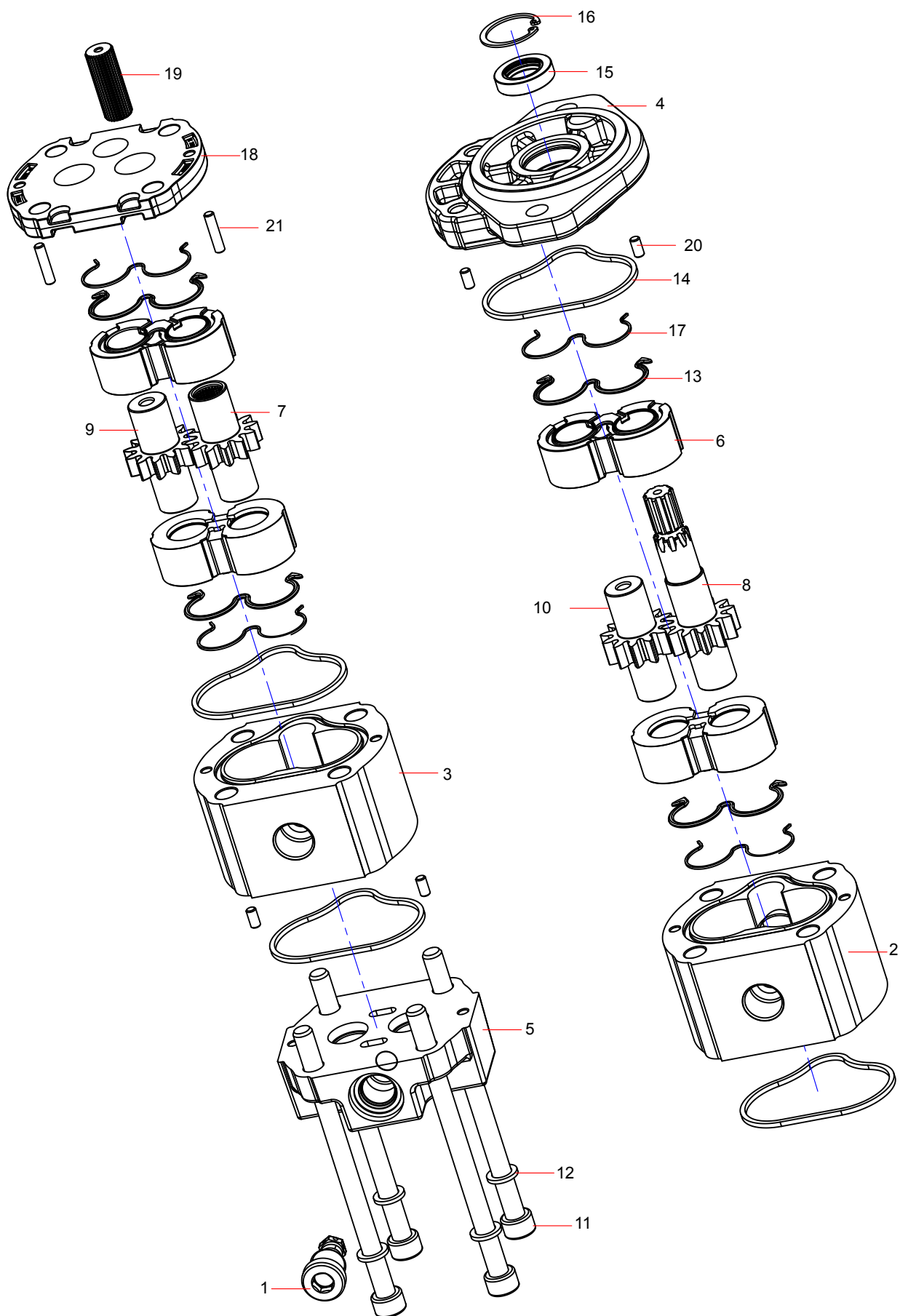
No.	Part No.	Description	Qty	Page number
1	60317887	End cover	2	
2	60317888	Seal Ring	2	
3	60317911	Lock screw	1	
4	60317910	Spring seat	1	
5	60317909	Spring	1	
6	60317889	Secondary Relief Valve	2	
7	60317891	Directional valve element	1	
8	60317895	MAIN SPOOL	1	
9	60317890	One-Way Valve	2	
10	60317894	pressure compensation	1	



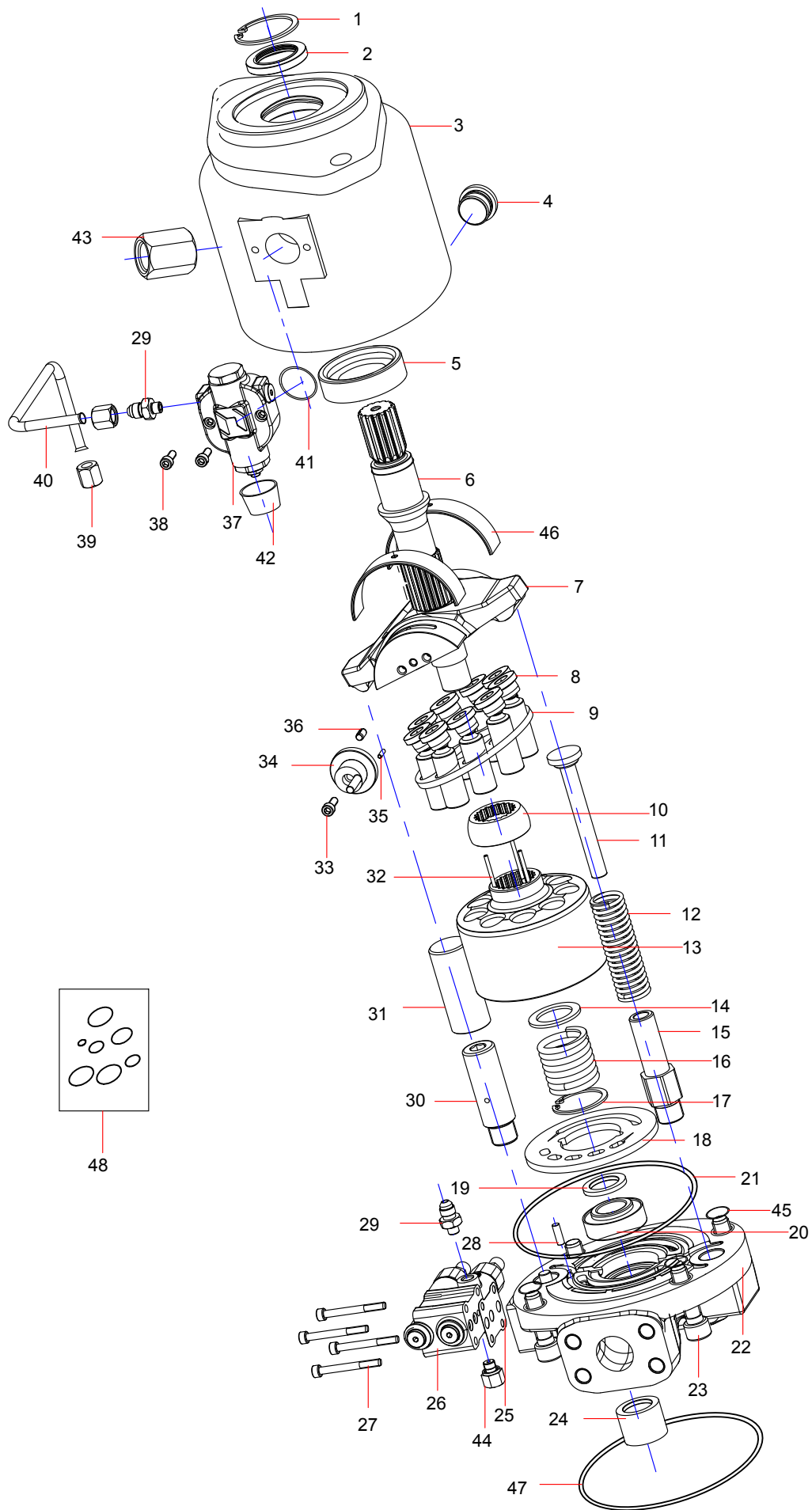
No.	Part No.	Description	Qty	Page number
1	60317887	End cover	2	
2	60317888	Seal Ring	2	
3	60317911	Lock screw	1	
4	60317910	Spring seat	1	
5	60317909	Spring	1	
6	60317889	Secondary Relief Valve	2	
7	60317891	Directional valve element	1	
8	60317893	Main spool	1	
9	60317890	One-Way Valve	2	
10	60317892	pressure compensation	1	



No.	Part No.	Description	Qty	Page number
1	60317879	Directional valve element	1	
2	60317880	plug	2	
3	60317881	plug	1	
4	60317882	Flow regulator	1	
5	60317883	LS Relief Valve	1	
6	60317884	shield	1	
7	60317885	Washing Valve Assy	1	
8	60317886	Washing Valv	1	

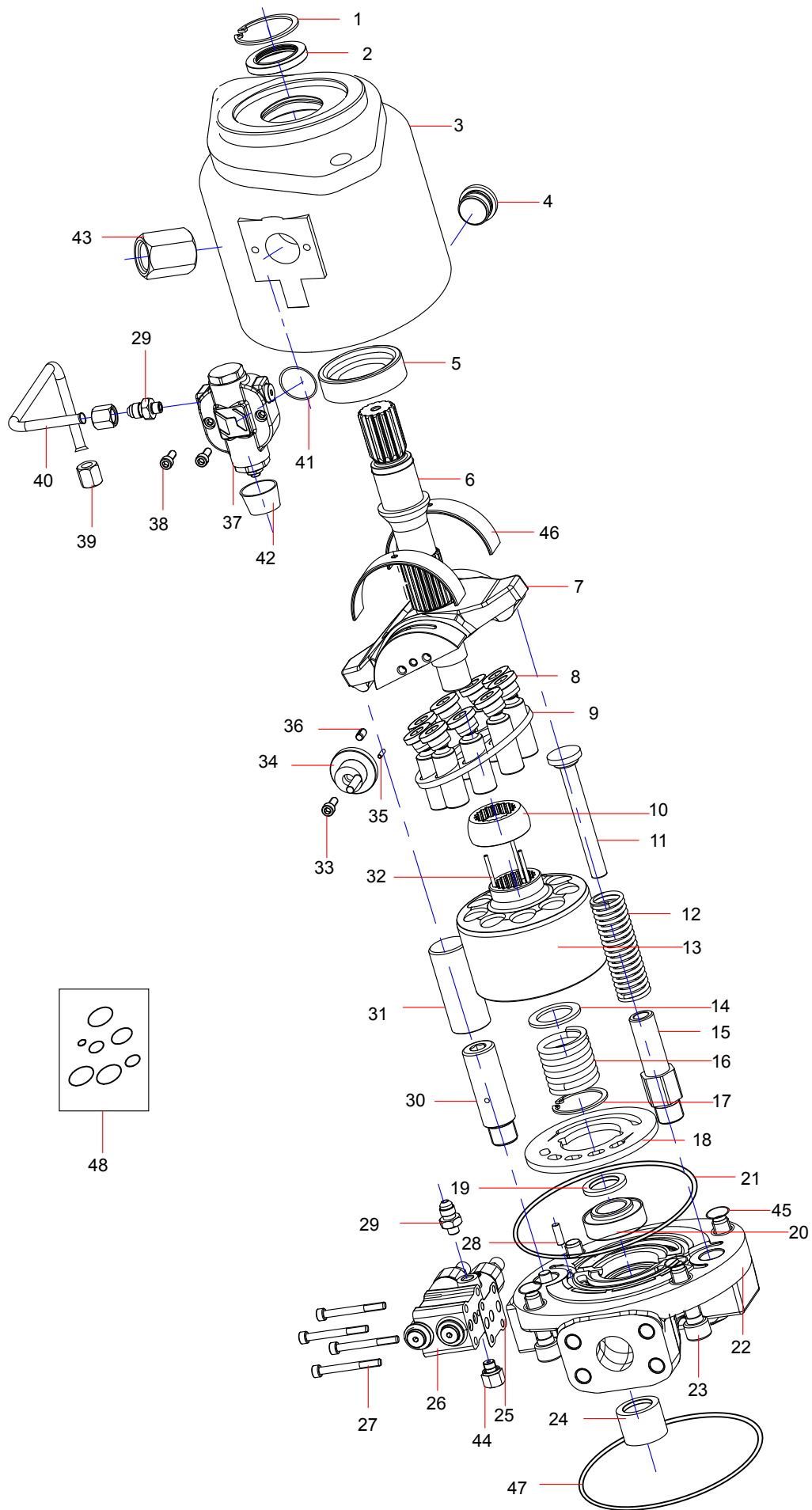


No.	Part No.	Description	Qty	Page number
1	60290734	VALVE PLC	1	
2	60291821	BODY	1	
3	60290736	BODY	1	
4	60290737	FRONT COVER	1	
5	60290738	REAR COVER	1	
6	60291822	THRUST PLATE	4	
7	60290740	DRIVE GEAR	1	
8	60291823	DRIVE SHAFT	1	
9	60290742	DRIVEN GEAR	1	
10	60291824	DRIVEN GEAR	1	
11	60291825	SCREW	4	
12	60290745	WASHER	4	
13	60290746	SEAL	4	
14	60290747	SEAL	4	
15	60290748	Shaft seal	1	
16	60290749	RING	1	
17	60290750	ANTIEXTRUSION	4	
18	60290751	FLANGE	1	
19	60123688	Spline Housing	1	
20	60123735	Pin	4	
21	60290752	DOWEL PIN	2	

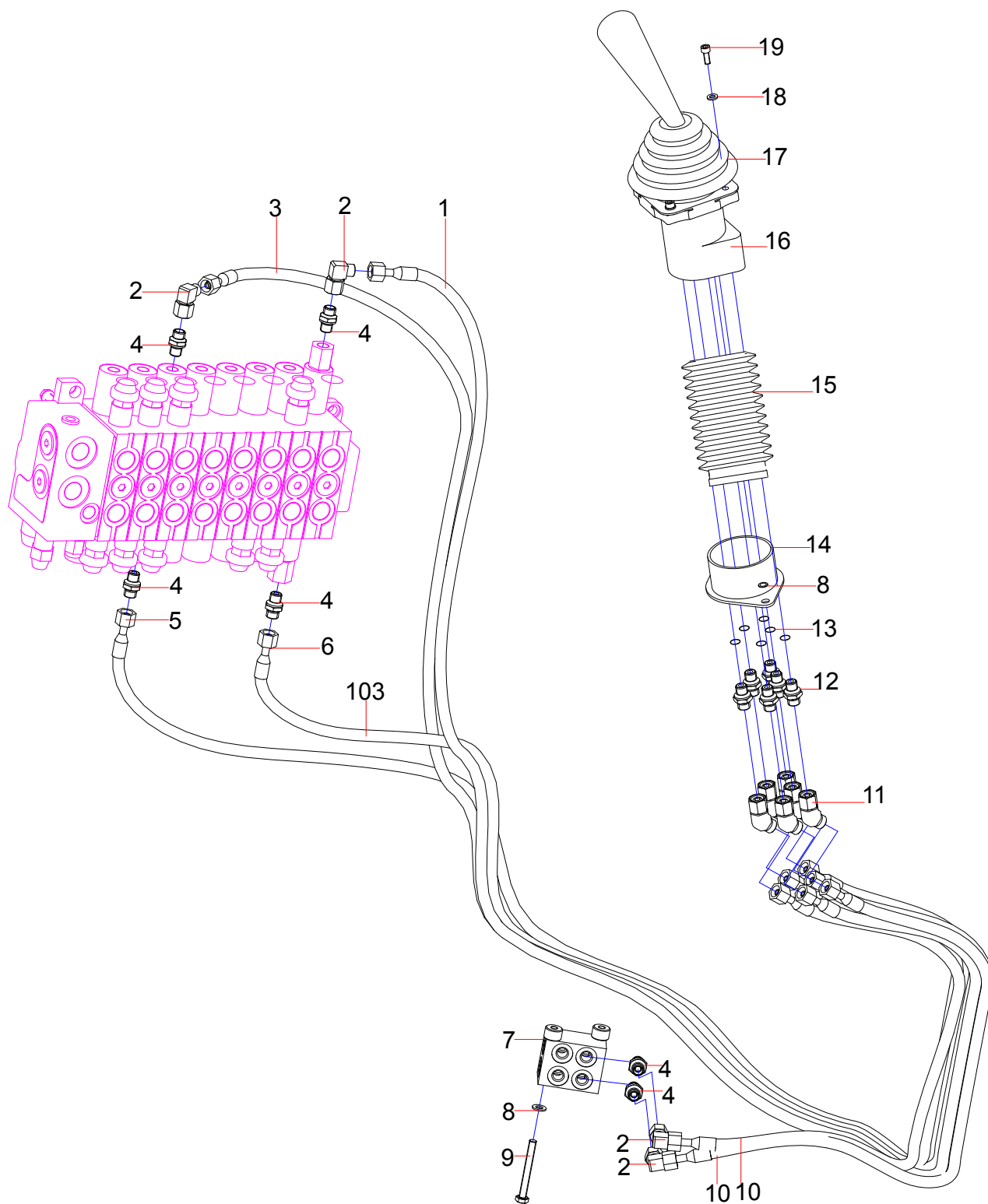




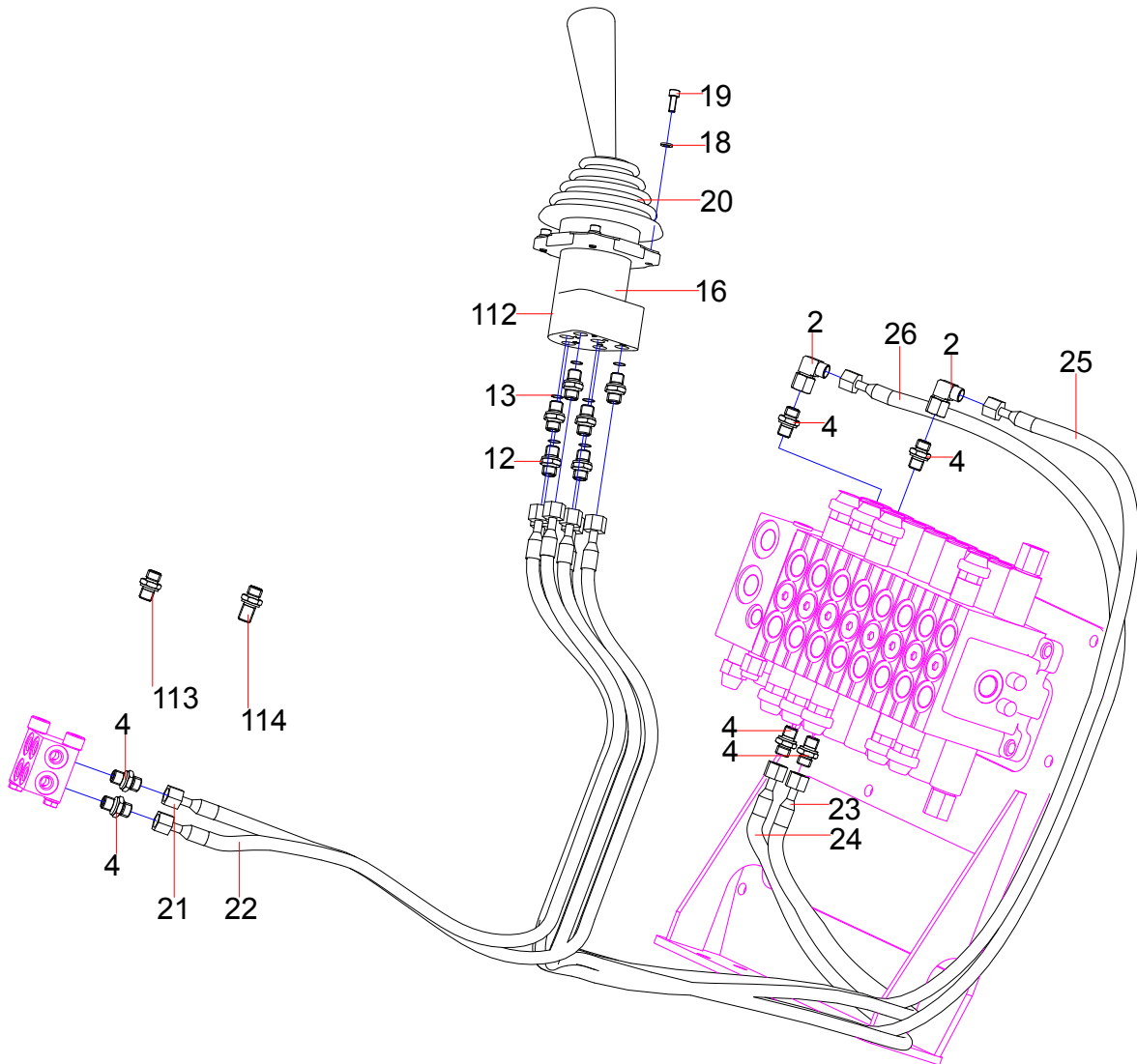
No.	Part No.	Description	Qty	Page number
1	60222987	RETAINING RING	1	
2	60129465	Shaft seal	1	
3	60291745	PUMP HOUSING	1	
4	60222967	LOCKING SCREW	1	
5	60222982	TAPERED-ROLLER BEARING	1	
6	60291748	DRIVE SHAFT	1	
7	60291747	SWASHPLATE	1	
8	60291759	PISTON	9	
9	60291760	RETAINING PLATE	1	
10	60291761	RETAINING BALL	1	
11	60291768	OPPOSED PISTON	1	
12	60291770	SPRING	1	
13	60291762	CYLINDER	1	
14	60291765	BACK-UP PLATE	1	
15	60291769	KOLBENFUEHRUNG	1	
16	60291763	SPRING	1	
17	60291764	SEEGER-V-RING	1	
18	60150773	Control Plate	1	
19	60291750	ADJUSTMENT SHIM	1	
20	60291751	TAPERED-ROLLER BEARING	1	
21	60291753	O-RING	1	
22	60291746	PORT PLATE	1	
23	60291756	SOCKET-HEAD SCREW	4	
24	60291749	SPLINED HUB	1	
25	60291772	GASKET	1	
26	60291771	STEUERVENTIL	1	
27	60291773	SOCKET-HEAD SCREW	4	
28	60291757	CYLINDER PIN	1	
29	60291819	FITTING	2	
30	60291767	PISTON GUIDE	1	
31	60291766	CONTROL PISTON	1	
32	60222997	PRESSURE PIN	3	
33	60291800	SOCKET-HEAD SCREW	1	
34	60291798	FOLLOWER	1	
35	60291803	SLEEVE	1	
36	60291802	SLEEVE	1	
37	60291797	STEUERVENTIL	1	
38	60291801	SOCKET-HEAD SCREW	2	
39	60291820	SPACER	2	
40	60291818	TUBE WITH NUT	1	



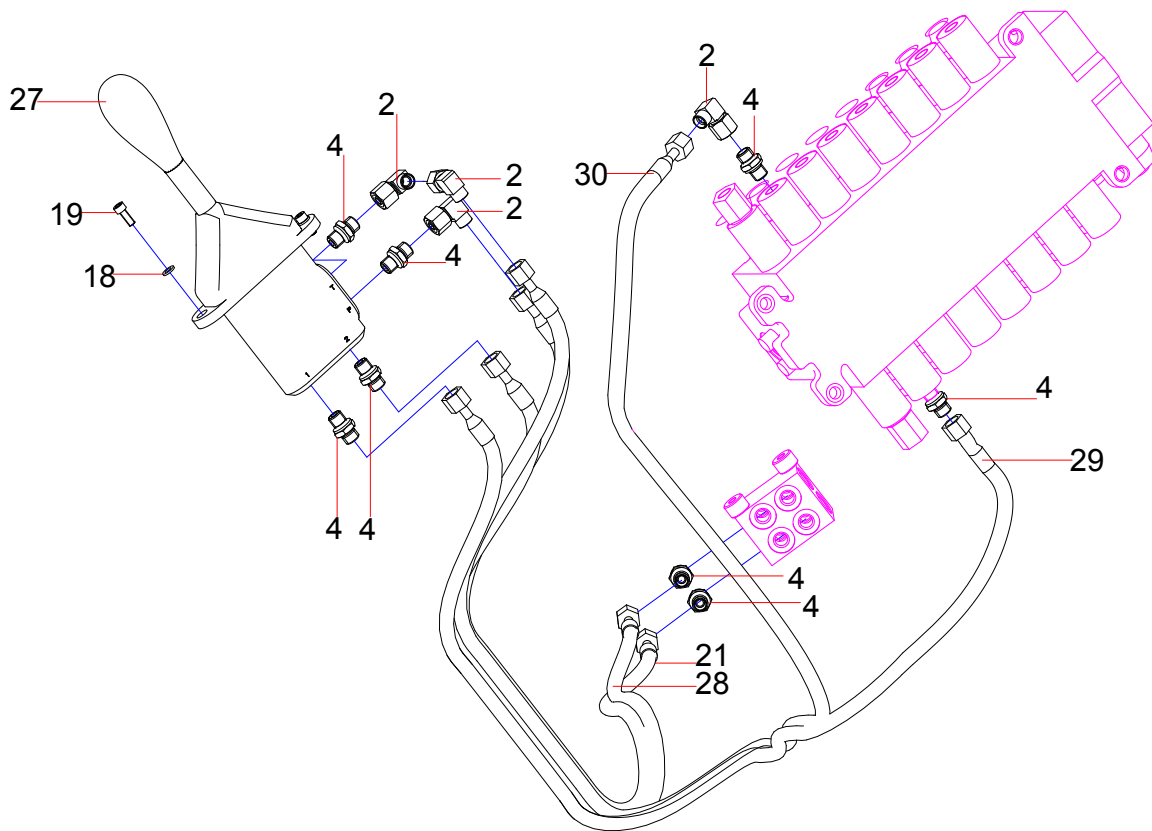
No.	Part No.	Description	Qty	Page number
41	60291799	GASKET	1	
42	60223211	TAMPER PROOF CAP	1	
43	60321167	Adapter	1	
44	60321168	Adapter	1	
45	60291754	O-RING	4	
46	60291752	BEARING-LINER	2	
47	60291755	O-RING	1	
48	60307984	piston pump repair kit	1	



No.	Part No.	Description	Qty	Page number
1	B230103002708	Hose	1	
2	B210780000418	Fitting, Elbow	44	
3	B230103002569	Hose	1	
4	B210780000176	Fitting, Adapter	45	
5	61010374	Rubber Hose	1	
6	B230103008479	Hose assembly	1	
7	12053111	PT Block	1	
8	24000633	Washer	28	
9	60225886	Bolt	2	
10	61010378	Rubber Hose	2	
11	A229900010160	Pipe connector	6	
12	A820205000940	Fitting	13	
13	B230101000047	O-ring	13	
14	11035346	Flange	1	
15	11082048	Corrugated Tube	1	
16	60225750	Pilot-control Valve	2	2-84
17	10585259	Left Handle Assembly	1	2-86
18	60060564	Washer	16	
19	60249819	Screw	14	
103	13391350	hose protective sleeve	1	

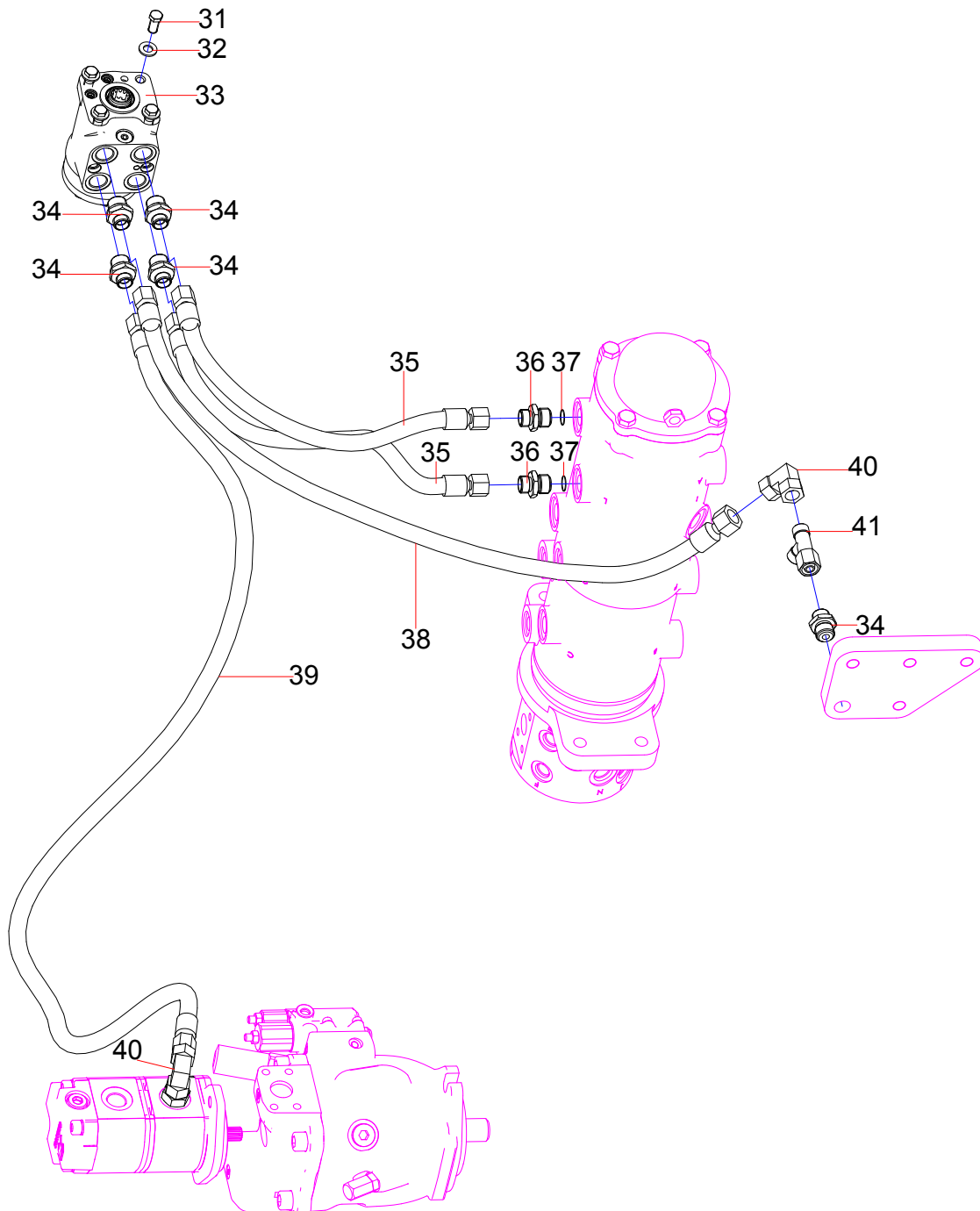


No.	Part No.	Description	Qty	Page number
2	B210780000418	Fitting, Elbow	44	
4	B210780000176	Fitting, Adapter	45	
12	A820205000940	Fitting	13	
13	B230101000047	O-ring	13	
16	60225750	Pilot-control Valve	2	2-84
18	60060564	Washer	16	
19	60249819	Screw	14	
20	10585261	Right Handle Assembly	1	2-88
21	61010377	Rubber Hose	3	
22	61010365	Rubber Hose	3	
23	61010375	Rubber Hose	1	
24	61010376	Rubber Hose	2	
25	61010371	Rubber Hose	1	
26	61010370	Rubber Hose	2	
112	60247936	Pilot valve	1	
113	A820205001771	Screw plug	1	
114	60114798	Pressure Sensor	1	

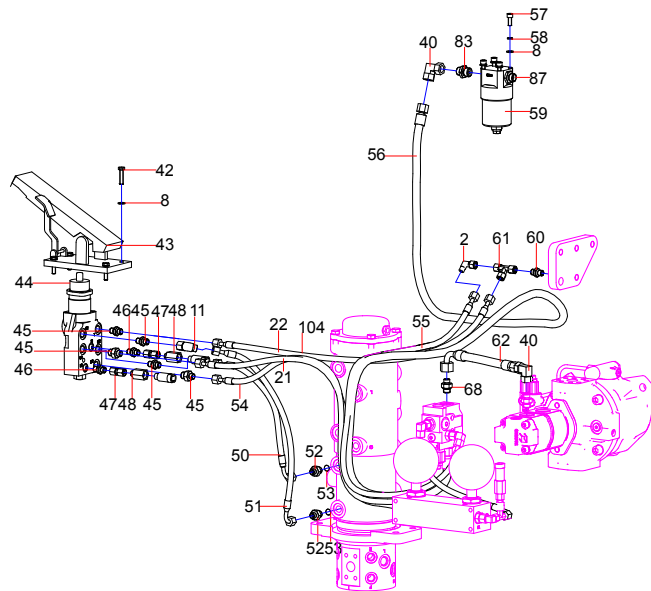




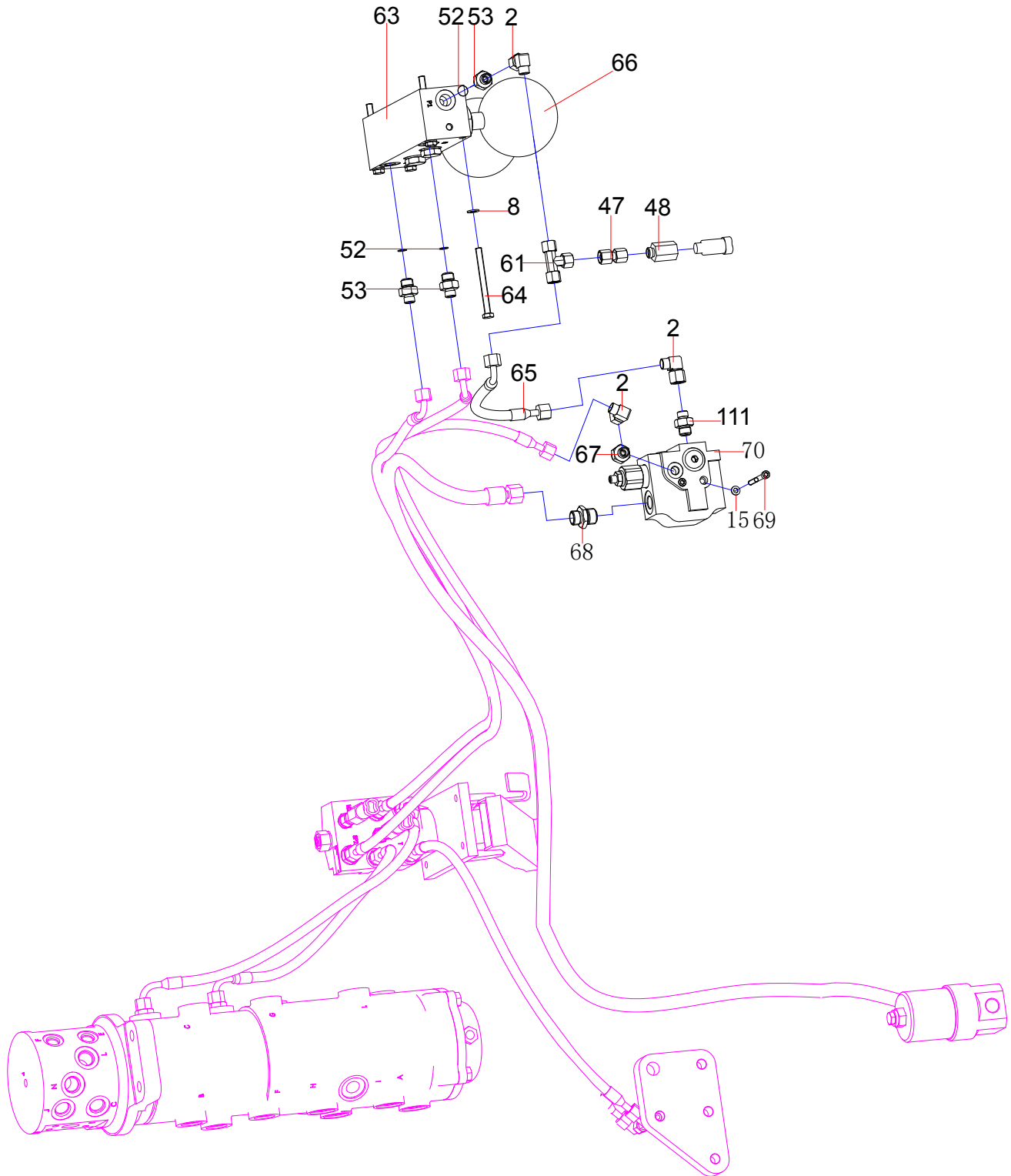
No.	Part No.	Description	Qty	Page number
2	B210780000418	Fitting, Elbow	44	
4	B210780000176	Fitting, Adapter	45	
18	60060564	Washer	16	
19	60249819	Screw	14	
21	61010377	Rubber Hose	3	
27	B220401000848	Pilot-control Valve	1	
28	61010368	Rubber Hose	1	
29	61010373	Rubber Hose	1	
30	61010372	Rubber Hose	2	



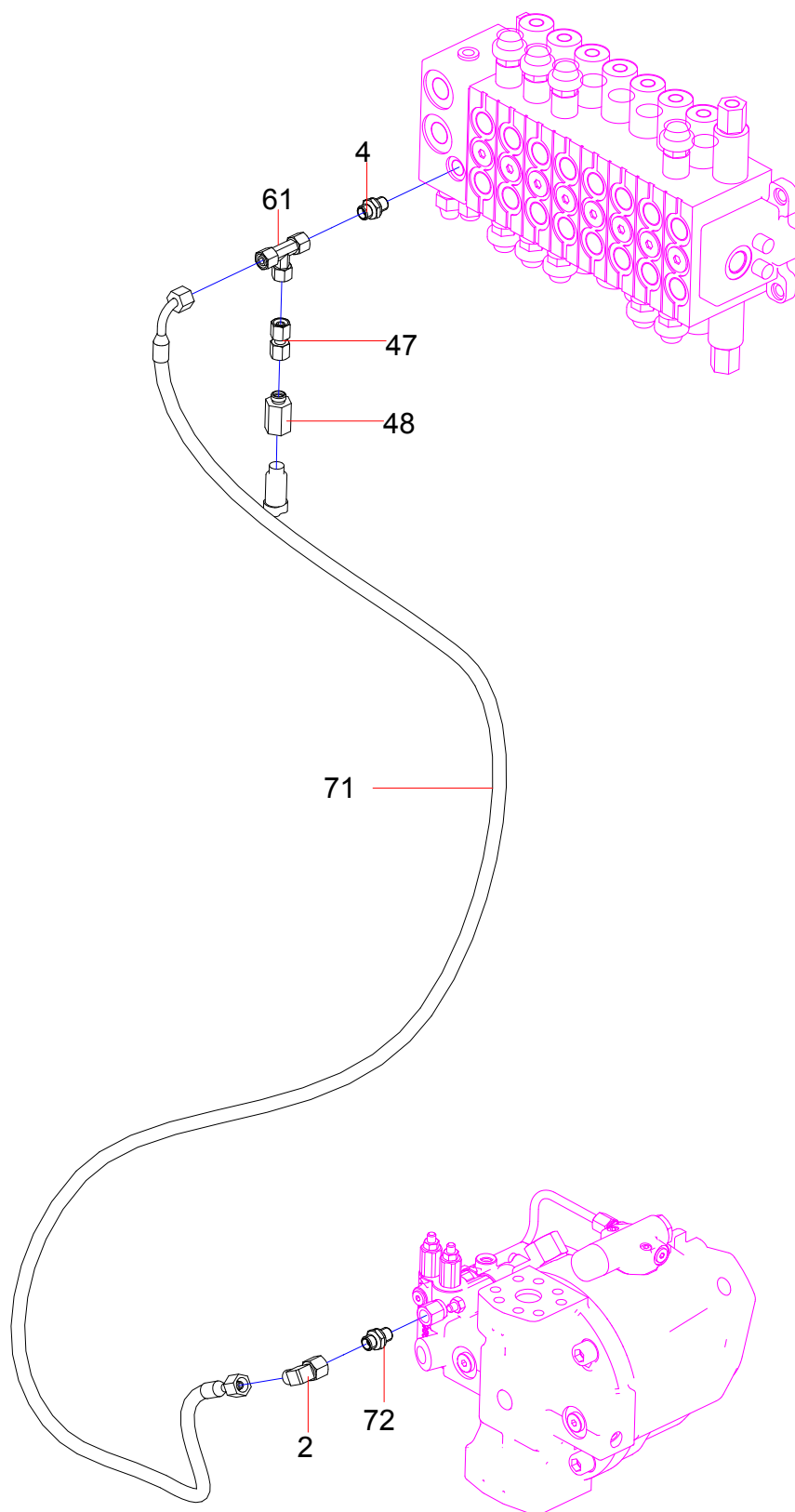
No.	Part No.	Description	Qty	Page number
31	A210204000313	Screw	8	
32	24000637	Washer	16	
33	60254635	SteeringUnit	1	2-90
34	B210780000179	Fitting, Adapter	6	
35	61010367	Rubber Hose	2	
36	10541251	Connector	3	
37	B230101000090	O-Ring	4	
38	B230103001744	Rubber hose	1	
39	B230103000316	Rubber hose	1	
40	B210780000024	Fitting, Elbow	6	
41	B210780000016	Fitting, Tee, L-Shape	1	



No.	Part No.	Description	Qty	Page number
2	B210780000418	Fitting, Elbow	44	
8	24000633	Washer	28	
11	A229900010160	Pipe connector	6	
21	61010377	Rubber Hose	3	
22	61010365	Rubber Hose	3	
40	B210780000024	Fitting, Elbow	6	
42	A210204000347	Screw	6	
43	60251601	brake valve plate	1	
44	60254636	BrakeValve	1	
45	13416536	pipe connector	5	
46	21011543	Stud ends	2	
47	A820205001061	Sensor, pressure	6	
48	B210780001045	Fitting	6	
50	A831213050000	Hose AS	2	
51	21020622	Rubber Hose	1	
52	21002816	Pipe connector	9	
53	B230101000049	O-ring	9	
54	61010369	Rubber Hose	1	
55	61010364	Rubber Hose	1	
56	B230103002290	Tube	1	
57	A210204000220	Screw	4	
58	24000511	Washer	12	
59	60211330	Filter	1	2-92
60	B210780000979	Connector, pipe	7	
61	B210780000170	Fitting, Tee, L-shape	10	
62	B230103002345	Rubber hose	1	
68	B210780000228	Fitting, adapter	2	
83	B210780000180	Connector, Pipe	1	
87	B210780000827	Connector, pipe	1	
104	13391349	hose protective sleeve	1	

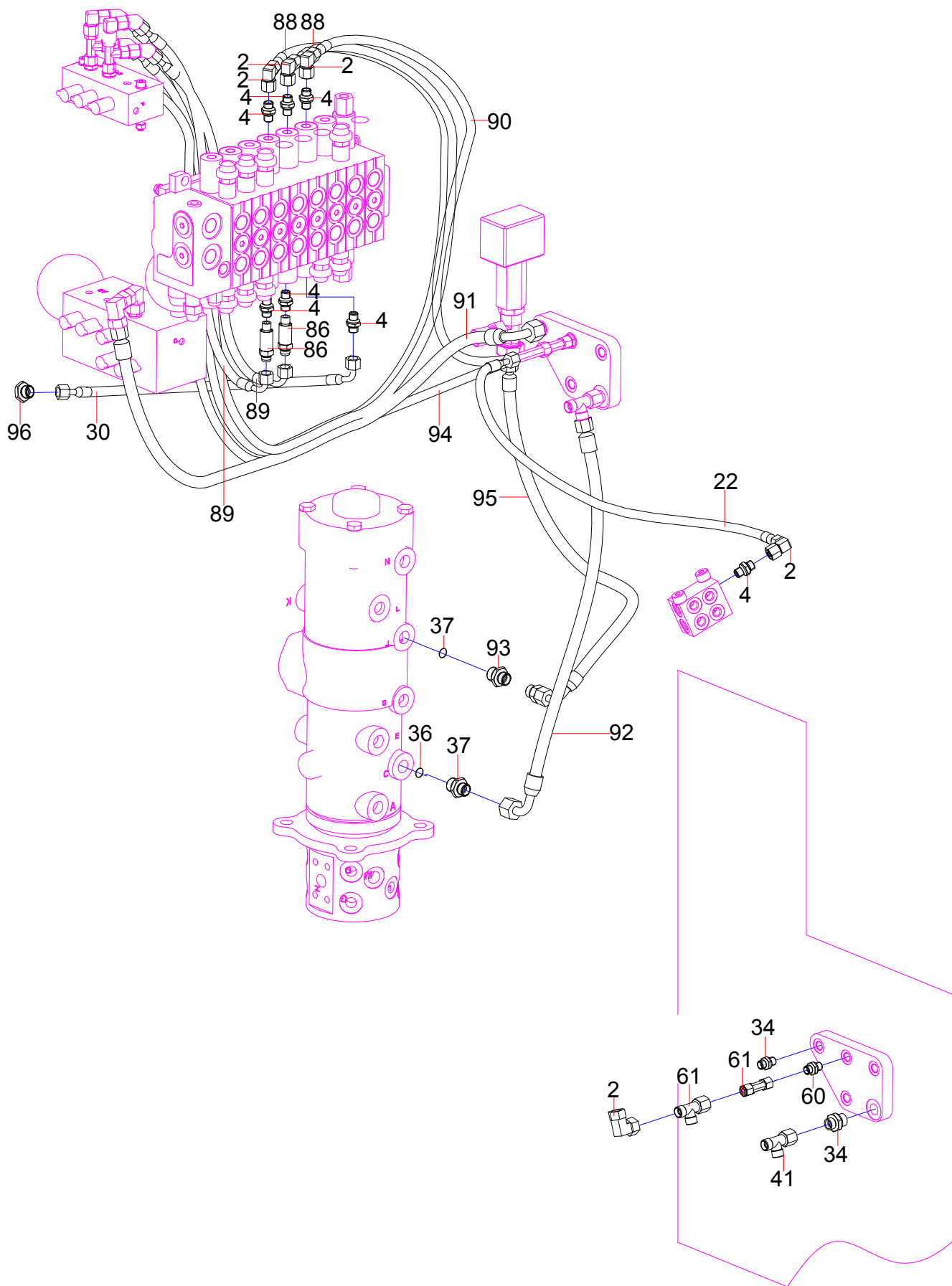


No.	Part No.	Description	Qty	Page number
2	B210780000418	Fitting, Elbow	44	
8	24000633	Washer	28	
15	11082048	Corrugated Tube	1	
47	A820205001061	Sensor, pressure	6	
48	B210780001045	Fitting	6	
52	21002816	Pipe connector	9	
53	B230101000049	O-ring	9	
61	B210780000170	Fitting, Tee, L-shape	10	
63	60258966	check valve group	1	2-94
64	A210111000098	Bolt	2	
65	A831213035000	Rubber hose	1	
66	60259943	accumulator	2	
67	B210780000174	Connector, pipe	1	
68	B210780000228	Fitting, adapter	2	
69	A210204000486	Screw	2	
70	60254039	Prefill valve	1	
111	60098741	Stud straight connector	1	

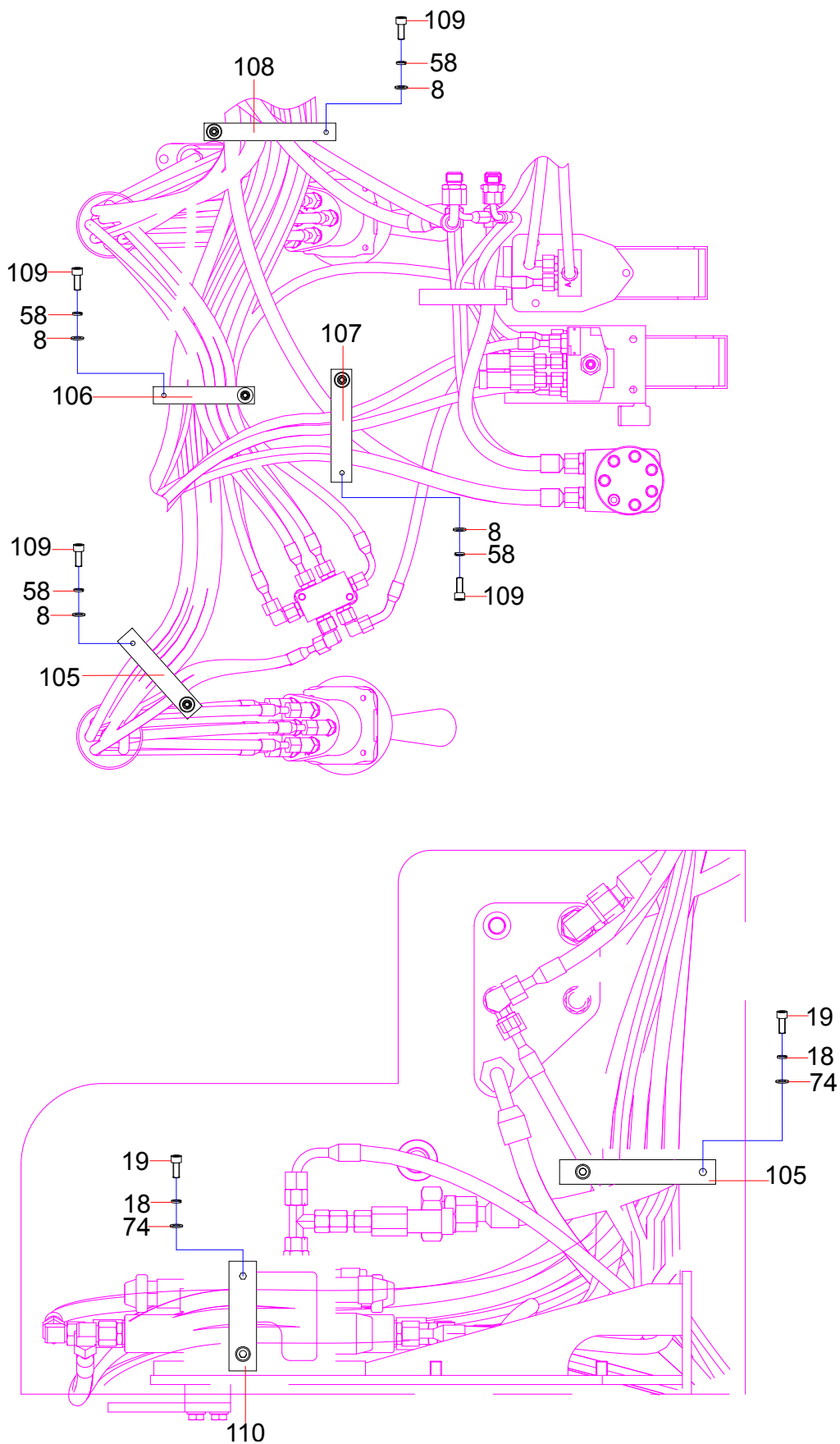




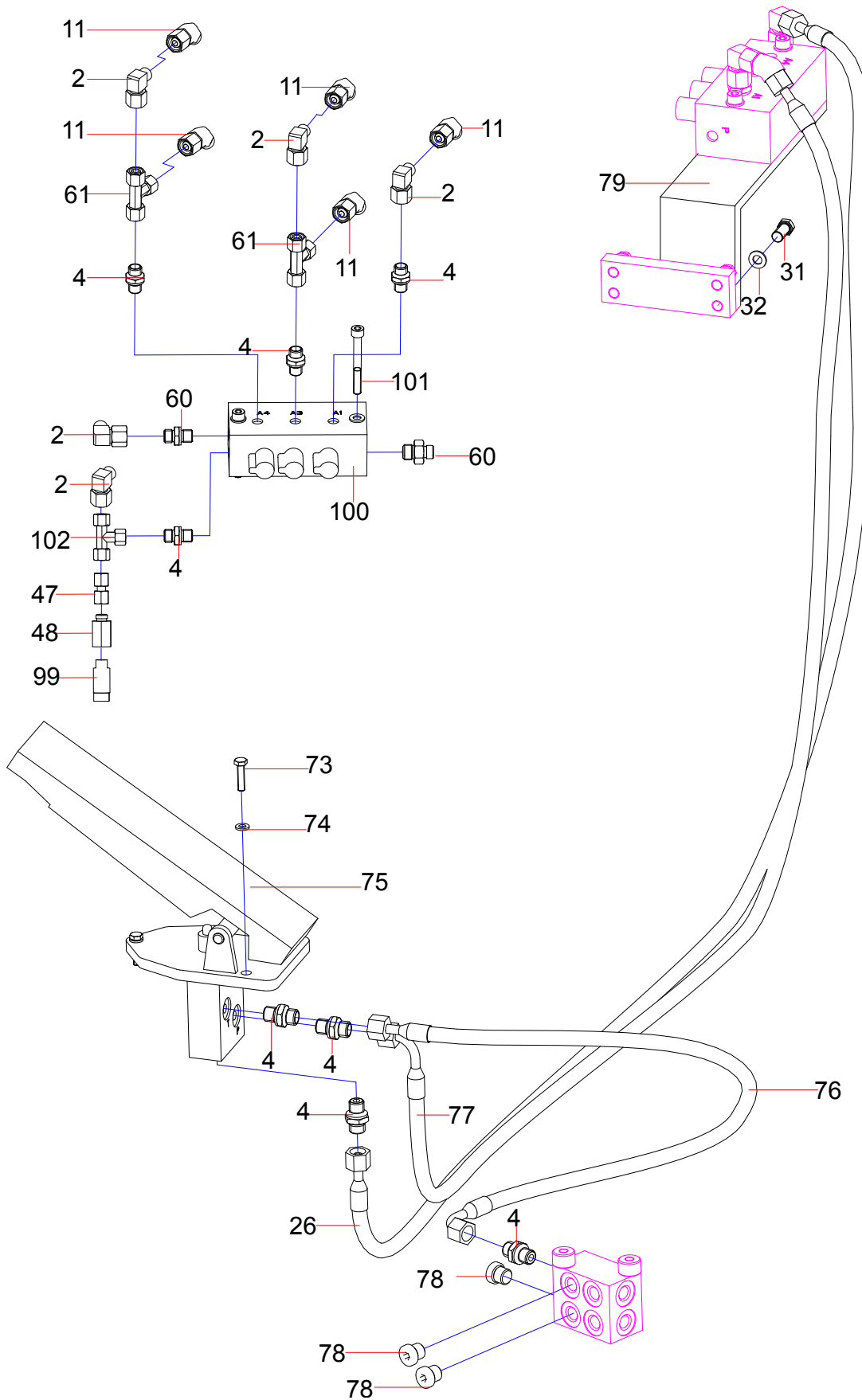
No.	Part No.	Description	Qty	Page number
2	B210780000418	Fitting, Elbow	44	
4	B210780000176	Fitting, Adapter	45	
47	A820205001061	Sensor, pressure	6	
48	B210780001045	Fitting	6	
61	B210780000170	Fitting, Tee, L-shape	10	
71	B230103008533	rubber hose 2SN6-DKOL-DKOL90-2400Q/SY11	1	
72	23000531	Stud Ends	1	



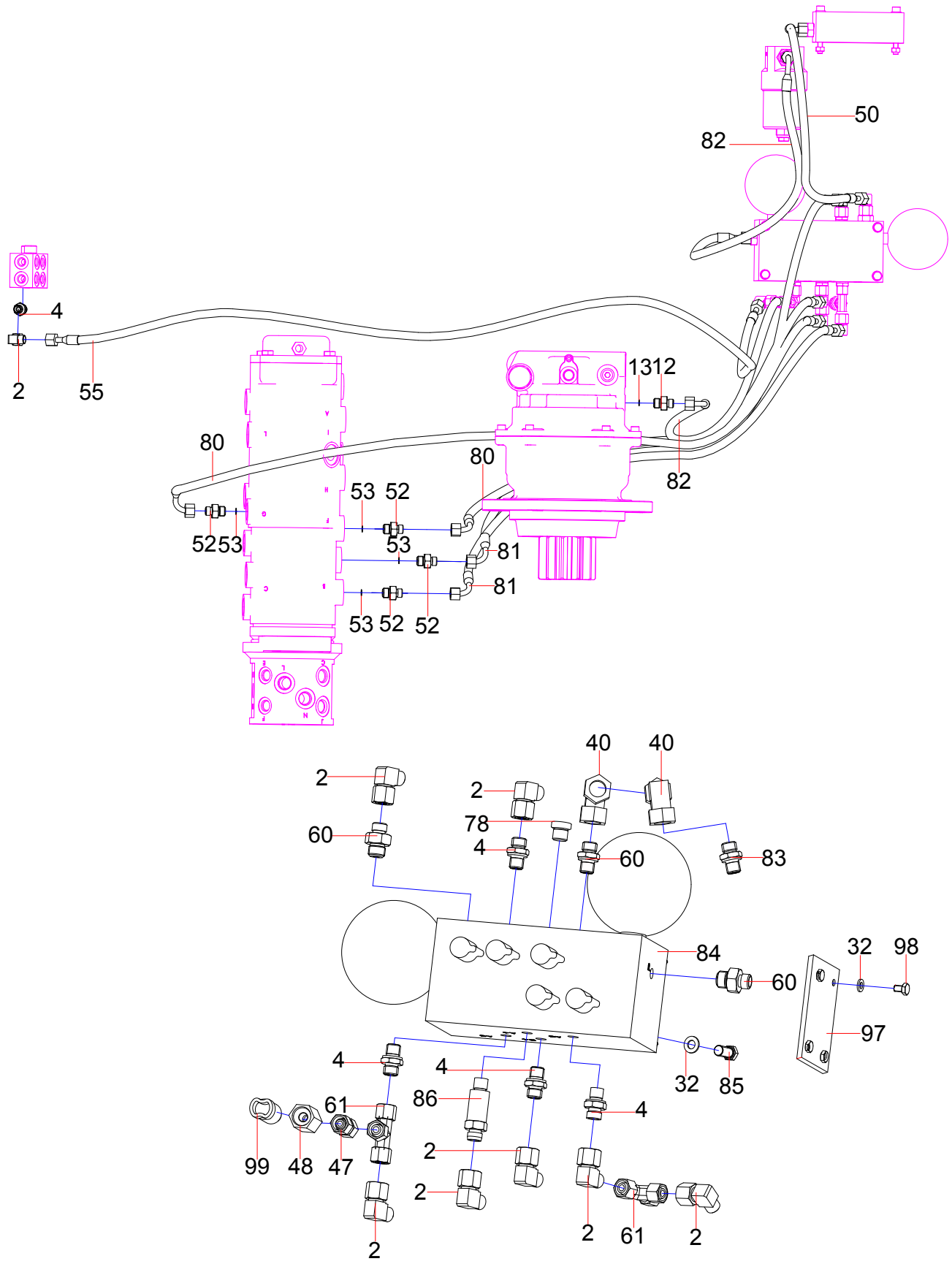
No.	Part No.	Description	Qty	Page number
2	B210780000418	Fitting, Elbow	44	
4	B210780000176	Fitting, Adapter	45	
22	61010365	Rubber Hose	3	
30	61010372	Rubber Hose	2	
34	B210780000179	Fitting, Adapter	6	
36	10541251	Connector	3	
37	B230101000090	O-Ring	4	
41	B210780000016	Fitting, Tee, L-Shape	1	
60	B210780000979	Connector, pipe	7	
61	B210780000170	Fitting, Tee, L-shape	10	
86	12877195	G1/4(ED)-M14Connector	1	
88	60032648	Hose	2	
89	B230103000817	Hose Assembly	2	
90	B230103003277	Hose Assembly	1	
91	B230103004949	Rubber Hose	1	
92	B230103004570	Hose	1	
93	A820205000843	Fitting	1	
94	61010363	Rubber Hose	1	
95	B230103000841	Rubber Hose	1	
96	21002815	Fitting	3	



No.	Part No.	Description	Qty	Page number
8	24000633	Washer	28	
18	60060564	Washer	16	
19	60249819	Screw	14	
58	24000511	Washer	12	
74	24000632	Washer	7	
105	10735444	pipe nip	2	
106	13391347	plate	1	
107	13391346	plate	1	
108	10735452	pipe nip	1	
109	60249817	Screw	12	
110	10735443	Pipe Nip	1	

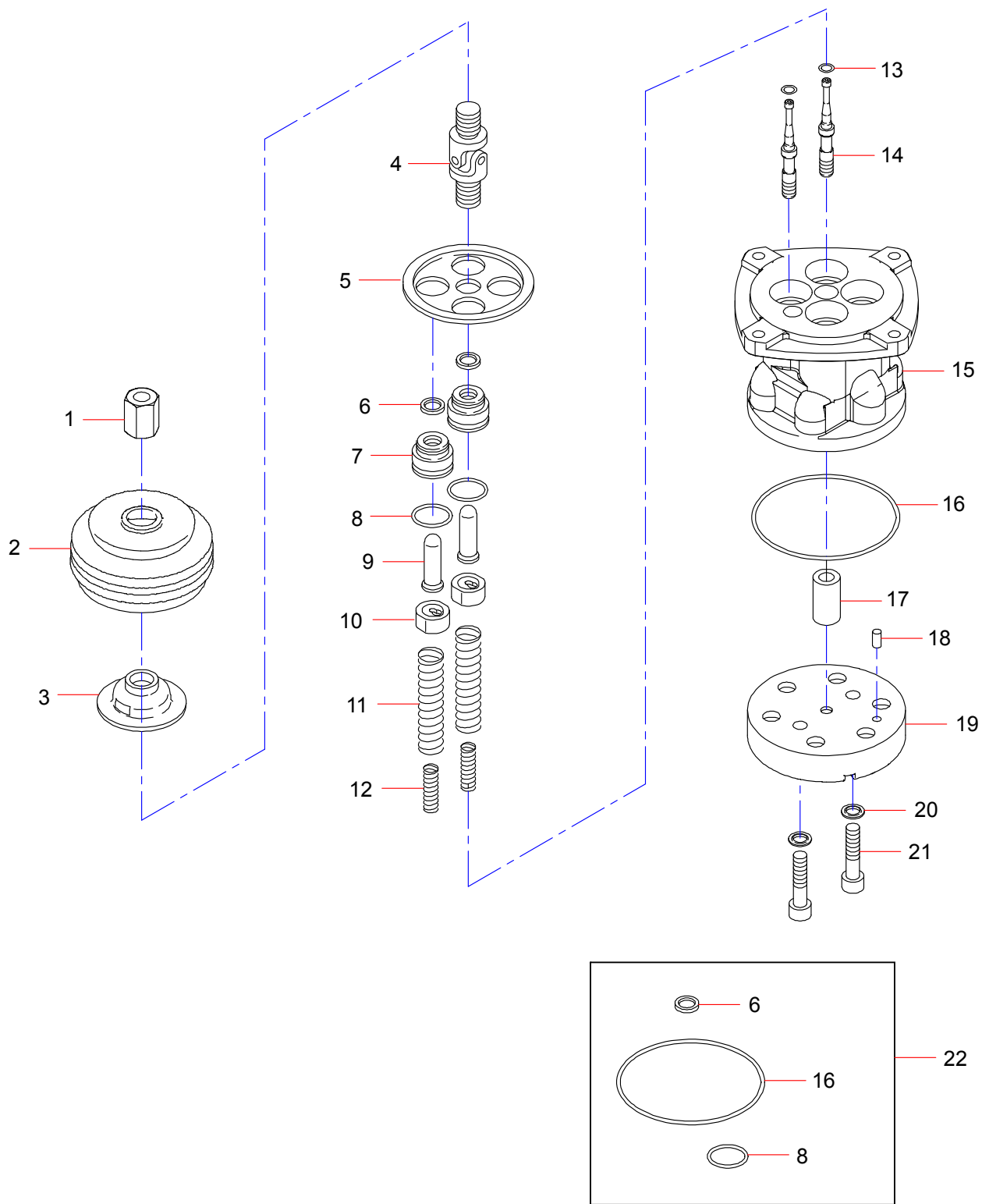


No.	Part No.	Description	Qty	Page number
2	B210780000418	Fitting, Elbow	44	
4	B210780000176	Fitting, Adapter	45	
11	A229900010160	Pipe connector	6	
26	61010370	Rubber Hose	2	
31	A210204000313	Screw	8	
32	24000637	Washer	16	
47	A820205001061	Sensor, pressure	6	
48	B210780001045	Fitting	6	
60	B210780000979	Connector, pipe	7	
61	B210780000170	Fitting, Tee, L-shape	10	
73	24002251	Screw	3	
74	24000632	Washer	7	
75	60251676	pedal valve	1	
76	B230103001359	Hy hose 1SN6-DKOL-DKOL90-1000Q/SY1102	1	
77	21028550	Rubber Hose	1	
78	B210780000164	Screw Plug	5	
79	14016161	electromagnetic valve bracket	1	
99	60114799	Pressure Sensor	2	
100	60258968	travel control valve group	1	2-98
101	A210204000342	Screw	2	
102	B210780000172	Fitting	1	

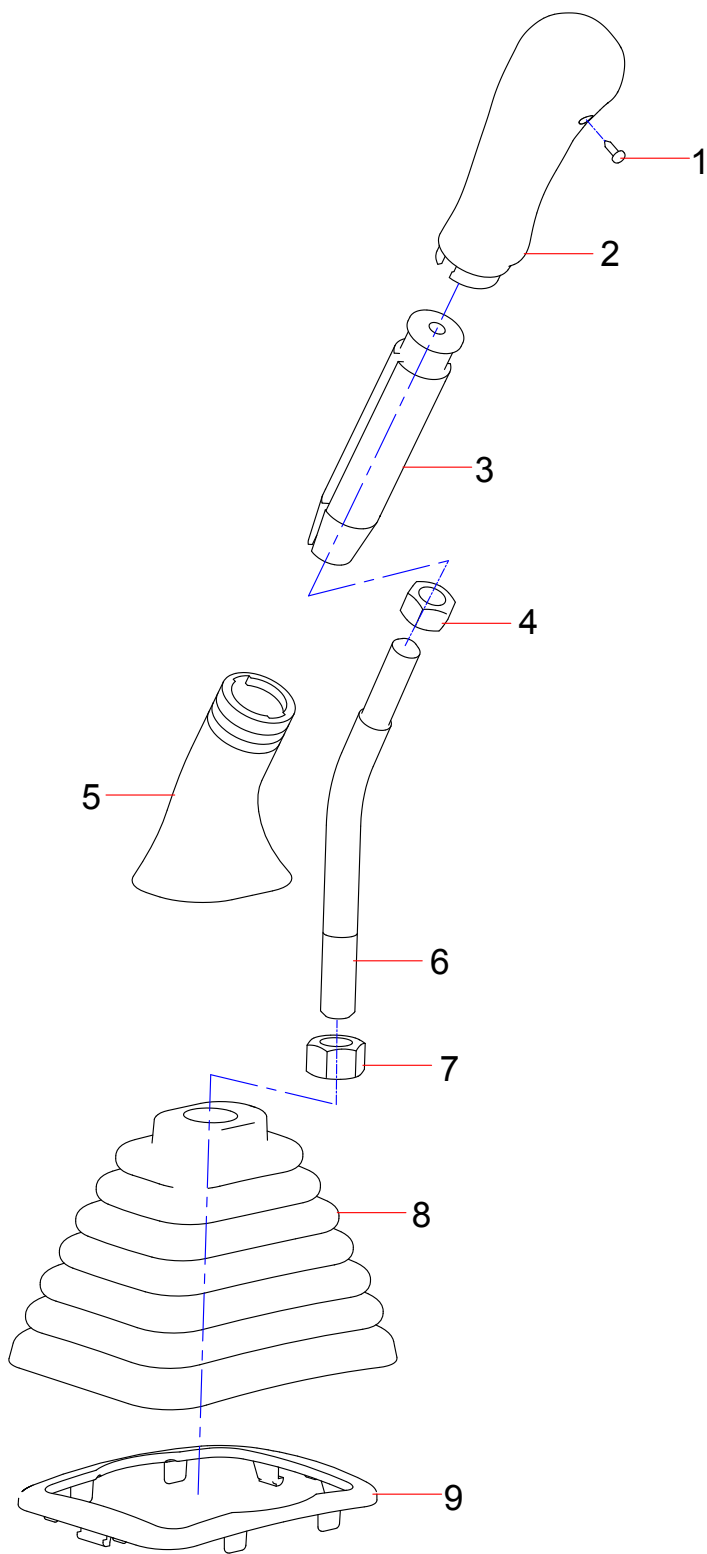




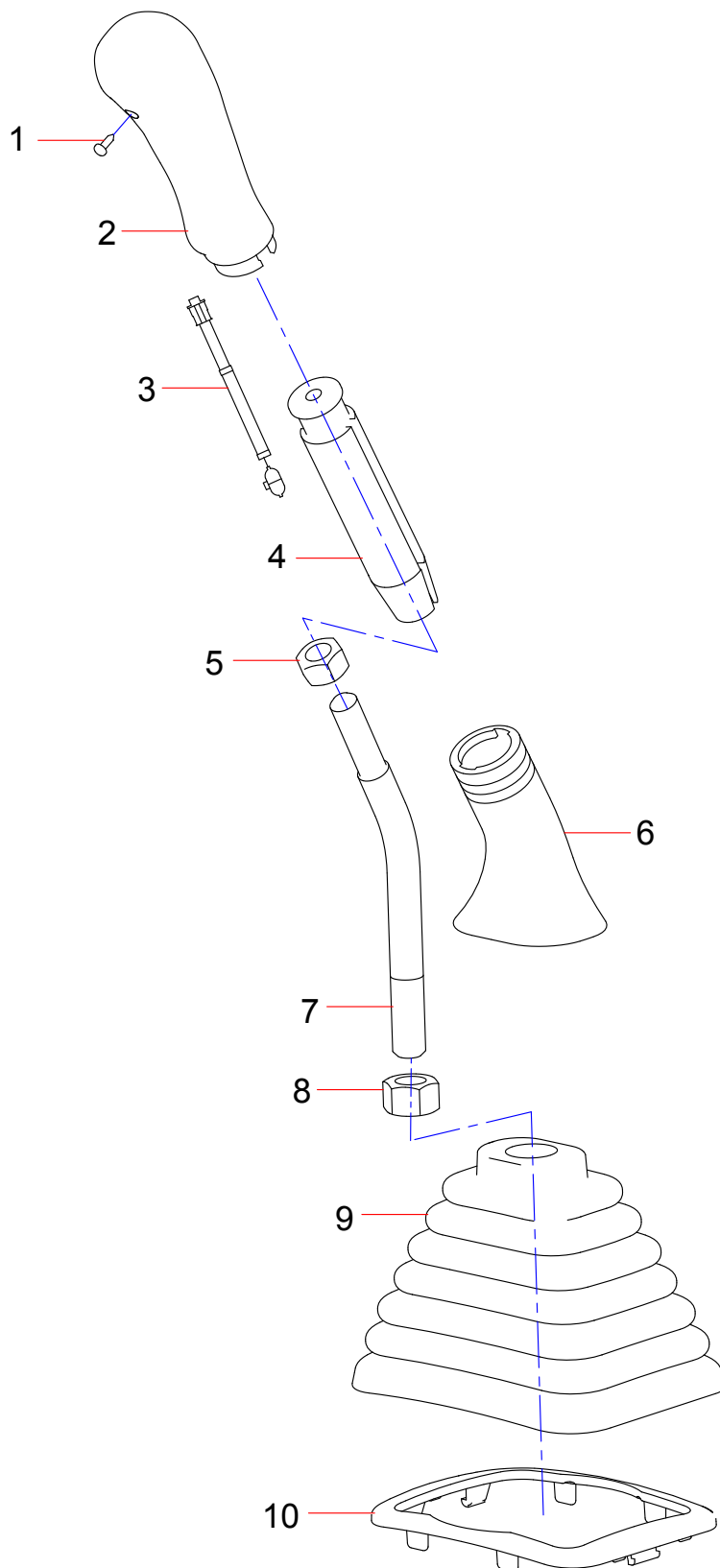
No.	Part No.	Description	Qty	Page number
2	B210780000418	Fitting, Elbow	44	
4	B210780000176	Fitting, Adapter	45	
12	A820205000940	Fitting	13	
13	B230101000047	O-ring	13	
32	24000637	Washer	16	
40	B210780000024	Fitting, Elbow	6	
47	A820205001061	Sensor, pressure	6	
48	B210780001045	Fitting	6	
50	A831213050000	Hose AS	2	
52	21002816	Pipe connector	9	
53	B230101000049	O-ring	9	
55	61010364	Rubber Hose	1	
60	B210780000979	Connector, pipe	7	
61	B210780000170	Fitting, Tee, L-shape	10	
78	B210780000164	Screw Plug	5	
80	61010362	Rubber Hose	2	
81	B230103000876	Rubber hose	2	
82	A831213065000	Hose	2	
83	B210780000180	Connector, Pipe	1	
84	60258969	pilot valve group	1	2-96
85	A210111000012	Bolt	4	
86	12877195	G1/4(ED)-M14Connector	1	
97	14016152	electromagnetic valve bracket	1	
98	A210111000024	Bolt	4	
99	60114799	Pressure Sensor	2	



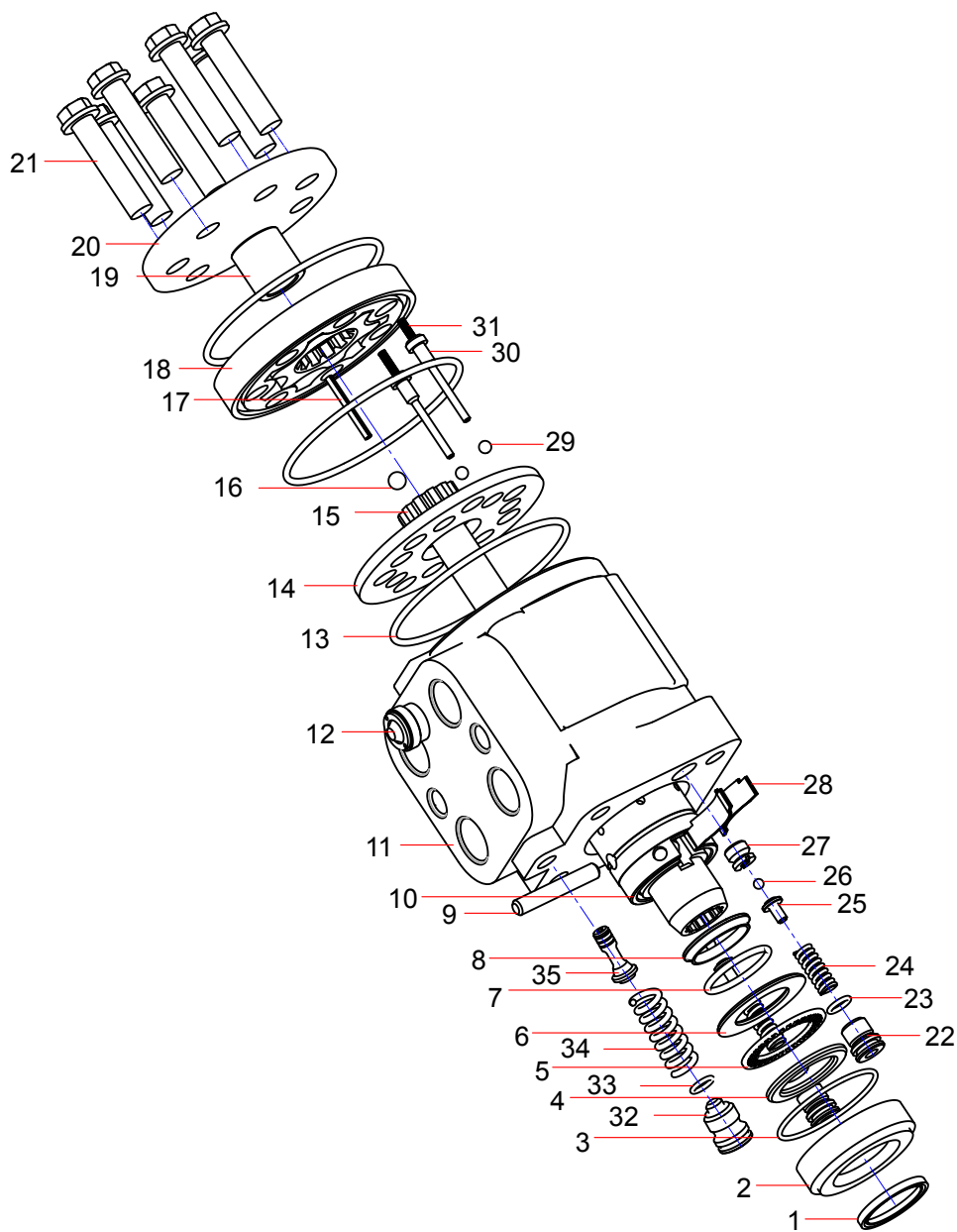
No.	Part No.	Description	Qty	Page number
1	60192530	Nut	1	
2	60192531	Bellows	1	
3	60008809	Plate, circular	1	
4	60008602	Shaft	1	
5	60037936	PLATE	1	
6	60008603	Ring, seal	4	
7	60008595	Plug	4	
8	60038715	O-ring(seal)	4	
9	60235883	Rod Push	4	
10	60235884	Seat Spring	4	
11	60008774	SPRING	4	
12	60235885	Sping	4	
13	60008597	Washer	4	
14	60008760	SPOOL	4	
15	60235882	Casing	1	
16	60008799	O-ring	1	
17	60008806	Bush	1	
18	60038259	SPRING PIN	1	
19	60222385	plate	1	
20	60008598	WASHER seal	2	
21	60008786	Bolt, socket head	2	
22	150588000005	Repair Kit	1	



No.	Part No.	Description	Qty	Page number
1	A210264000022	Screw, self-tapping	1	
2	B229900001613	Joystick , left	1	
3	60116344	Insert, switch	1	
4	A210308000006	Nut	1	
5	A229900006446	Joystick, rubber cover	1	
6	11050165	Handle, grip	1	
7	A210307000025	Nut	1	
8	A229900001028	Joystick, rubber cover	1	
9	A229900001027	Plate	1	

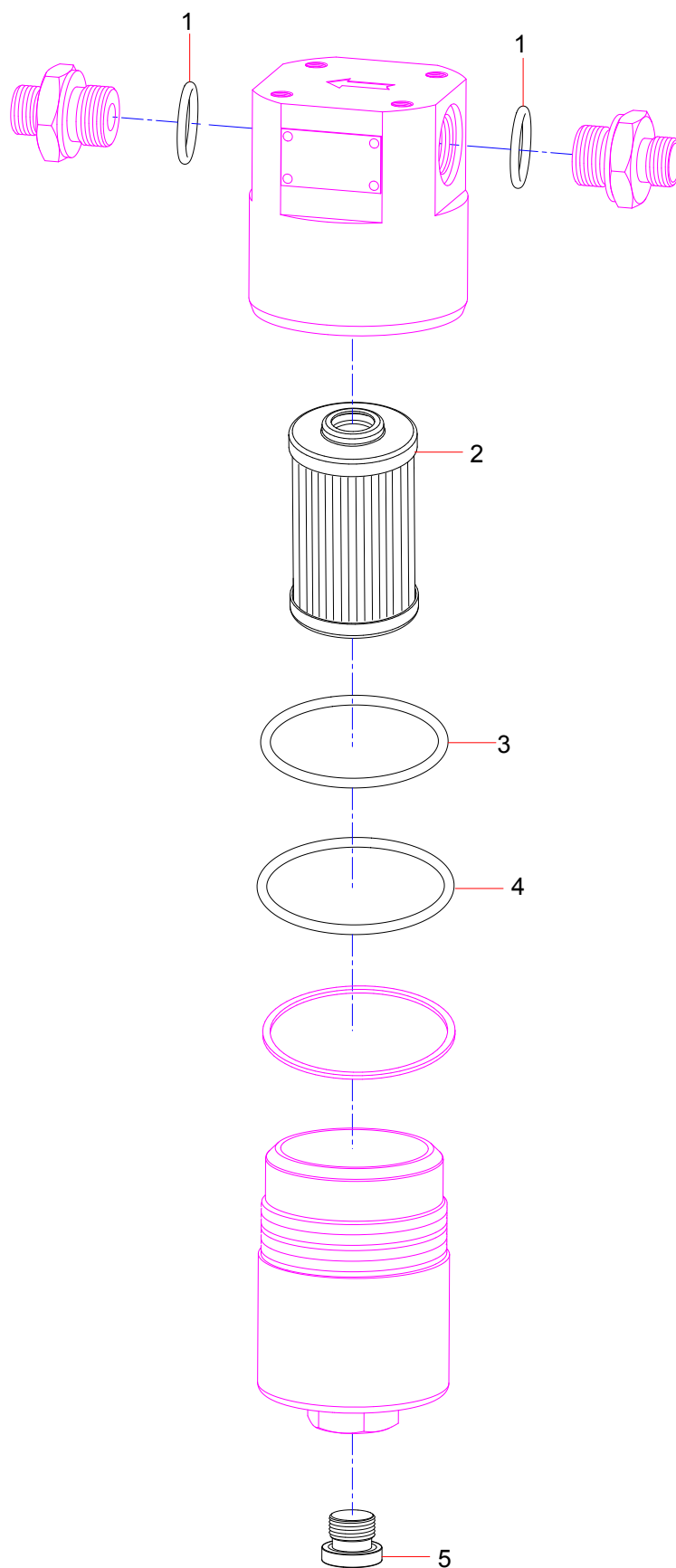


No.	Part No.	Description	Qty	Page number
1	A210264000022	Screw, self-tapping	1	
2	B229900001614	Joystick, right	1	
3	11742013	Horn Switch Harness	1	
4	60116344	Insert, switch	1	
5	A210308000006	Nut	1	
6	A229900006446	Joystick, rubber cover	1	
7	11050165	Handle, grip	1	
8	A210307000025	Nut	1	
9	A229900001028	Joystick, rubber cover	1	
10	A229900001027	Plate	1	

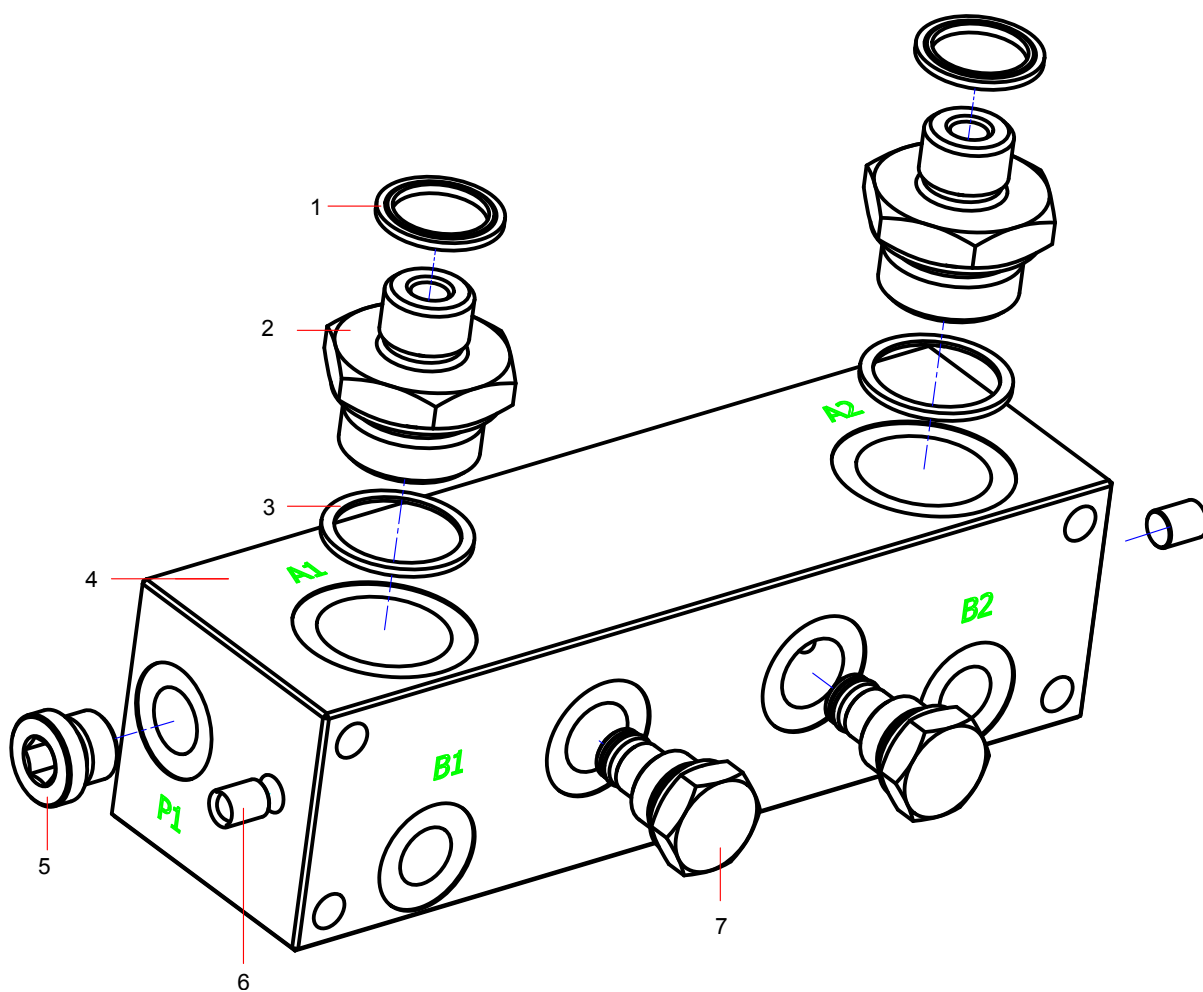




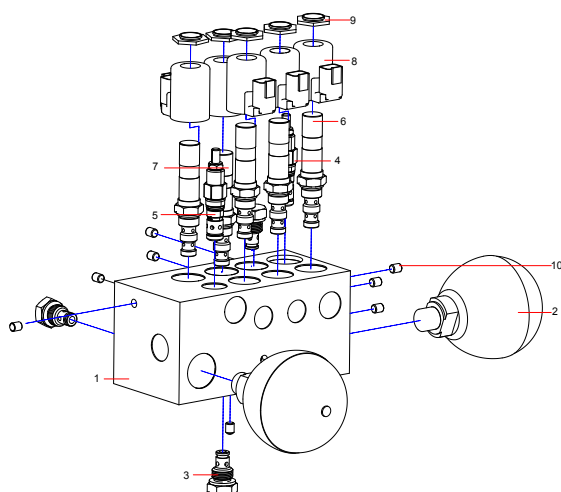
No.	Part No.	Description	Qty	Page number
1	60291859	DAST REALING	1	
2	60291860	COVER	1	
3	60291861	o-ring	1	
4	60291862	RING	1	
5	60291863	BEARING	1	
6	60291864	RING	1	
7	60291865	REALING	1	
8	60291866	REALING	1	
9	60291867	SPOOL	1	
10	60291868	PIN	1	
11	60291869	VALVE BODY	1	
12	60291870	CHECK VALVE	1	
13	60291871	o-ring	3	
14	60291872	FLATE	1	
15	60291873	SHAFT	1	
16	60291874	BALL	1	
17	60291875	PIN	1	
18	60291876	ROTOR	1	
19	60291877	BLOCK	1	
20	60291878	COVER	1	
21	60291879	BOLT	7	
22	60291880	PLUG	2	
23	60291881	o-ring	2	
24	60291882	SPRING	2	
25	60291883	BALL	2	
26	60291884	BALL	2	
27	60291885	VALVE SEAT	2	
28	60291886	SPRING	6	
29	60291887	BALL	2	
30	60291888	PIN	2	
31	60291889	RING	2	
32	60291890	PLUG	1	
33	60291891	o-ring	1	
34	60291892	RING	1	
35	60291893	SPOOL	1	



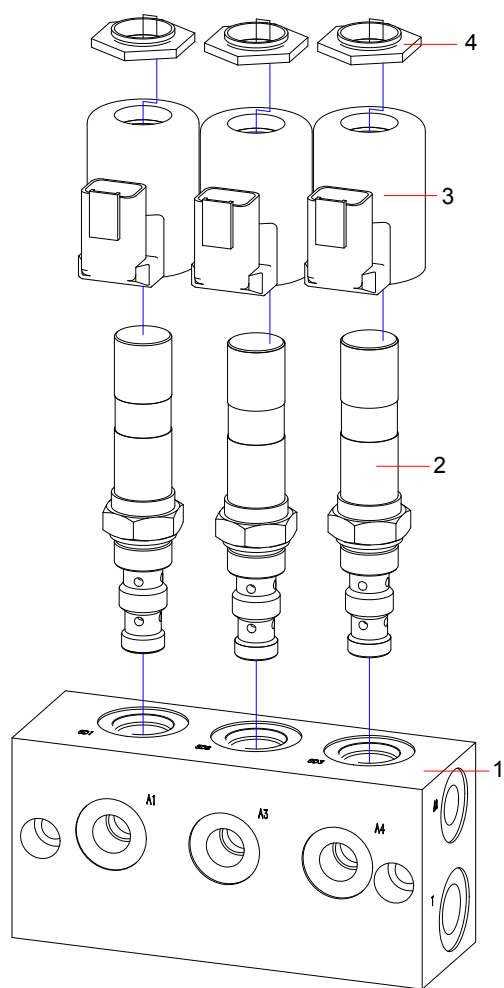
No.	Part No.	Description	Qty	Page number
1	29010015	O-ring	2	
2	A222100000119	Filter, pilot	1	
3	A210609000132	O-ring	1	
4	A210609000133	O-ring	1	
5	B210399000001	Screw plug	1	



No.	Part No.	Description	Qty	Page number
1	60290800	washer	2	
2	60290801	connector	2	
3	60290802	seal washer	2	
4	60290803	block	1	
5	60290804	plug	1	
6	60290805	plug	2	
7	60290806	check valve	2	

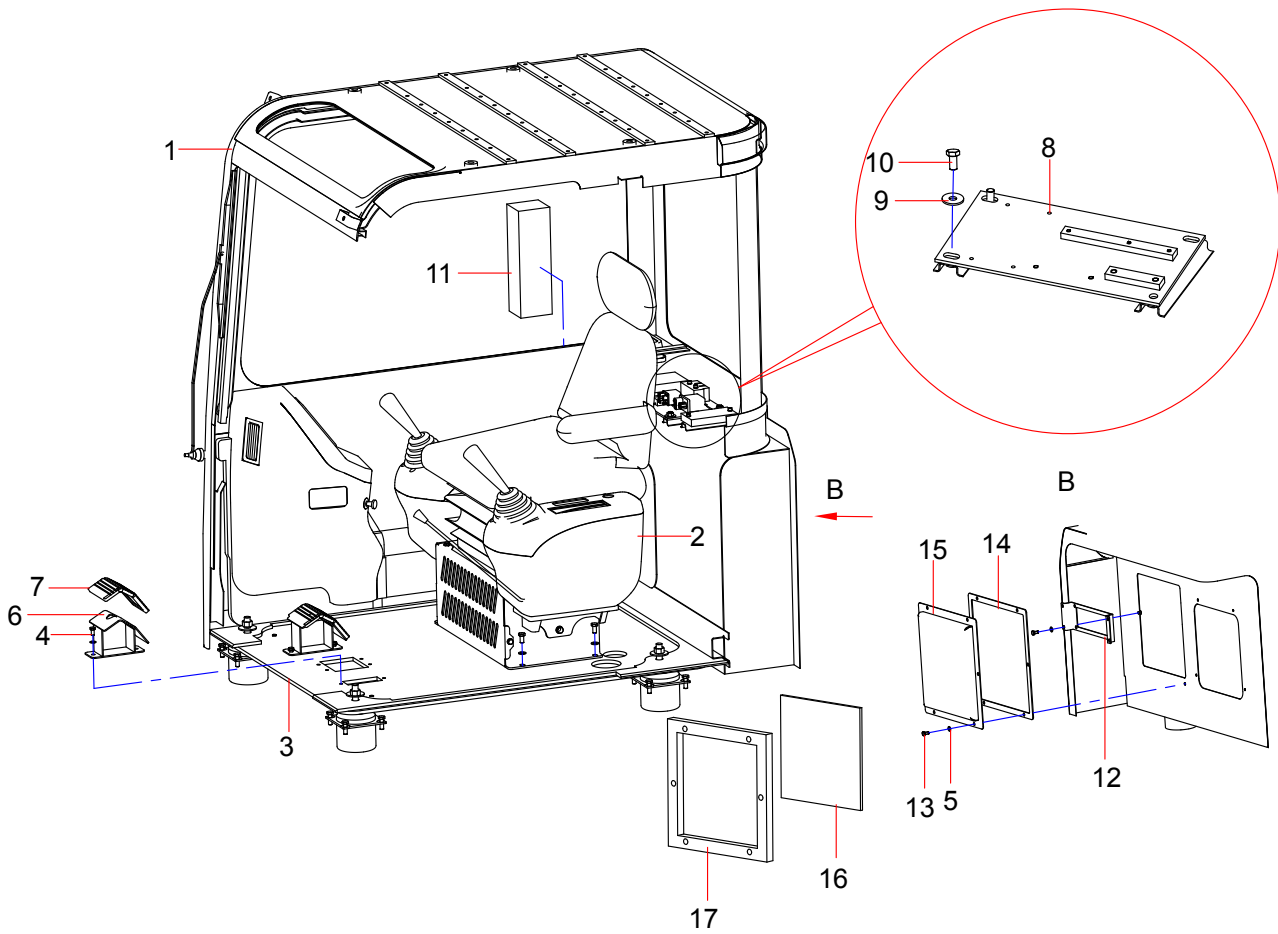


No.	Part No.	Description	Qty	Page number
1	60291933	valve block	1	
2	60291934	accumulator	2	
3	60291935	check valve	3	
4	60291936	pressure reduction valve	1	
5	60291937	overflow valve	1	
6	60291938	electromagnetism valve	4	
7	60291939	electromagnetism valve	1	
8	60291940	loop	5	
9	60291941	locknut	5	
10	60307209	ball plug	10	

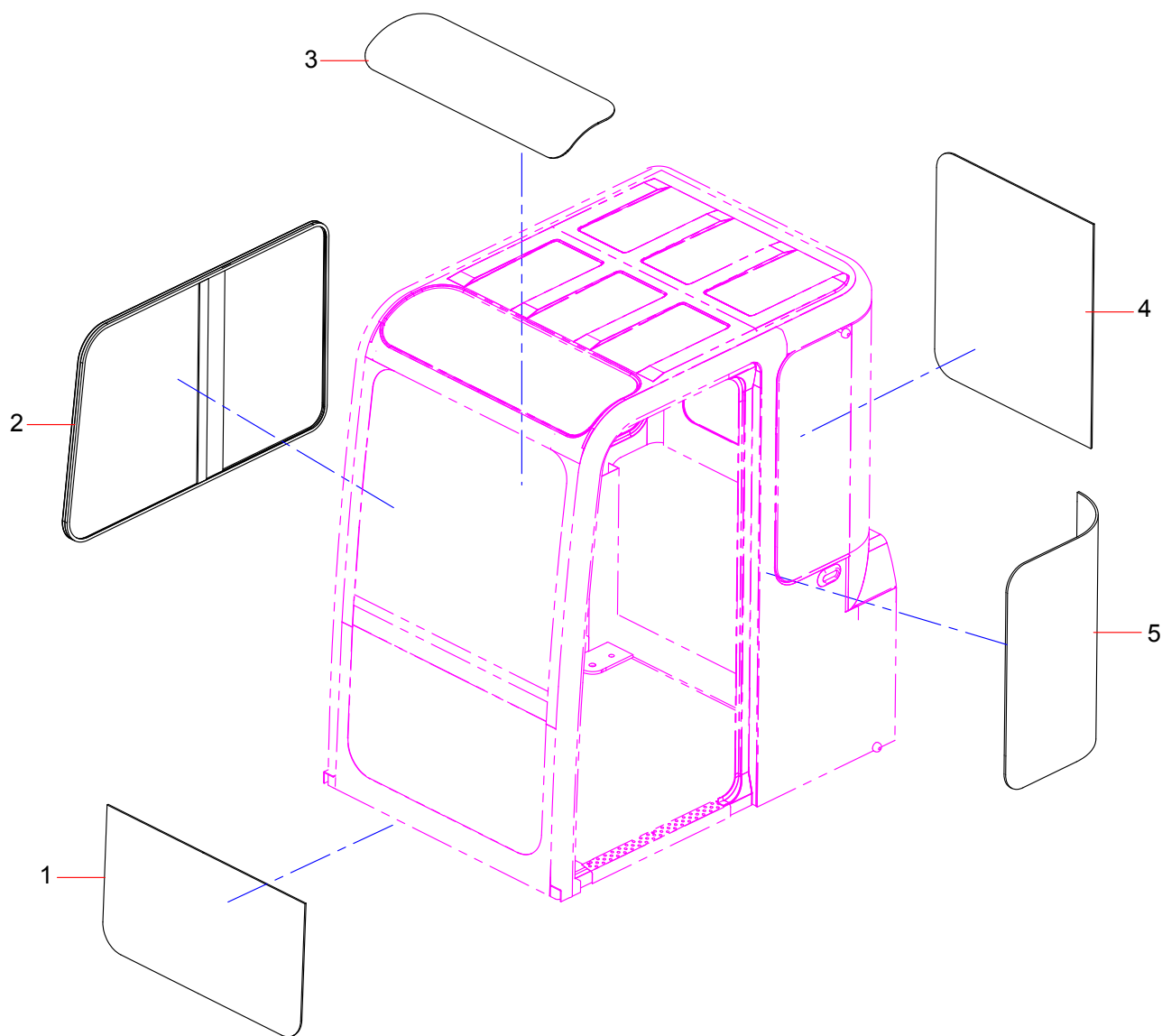




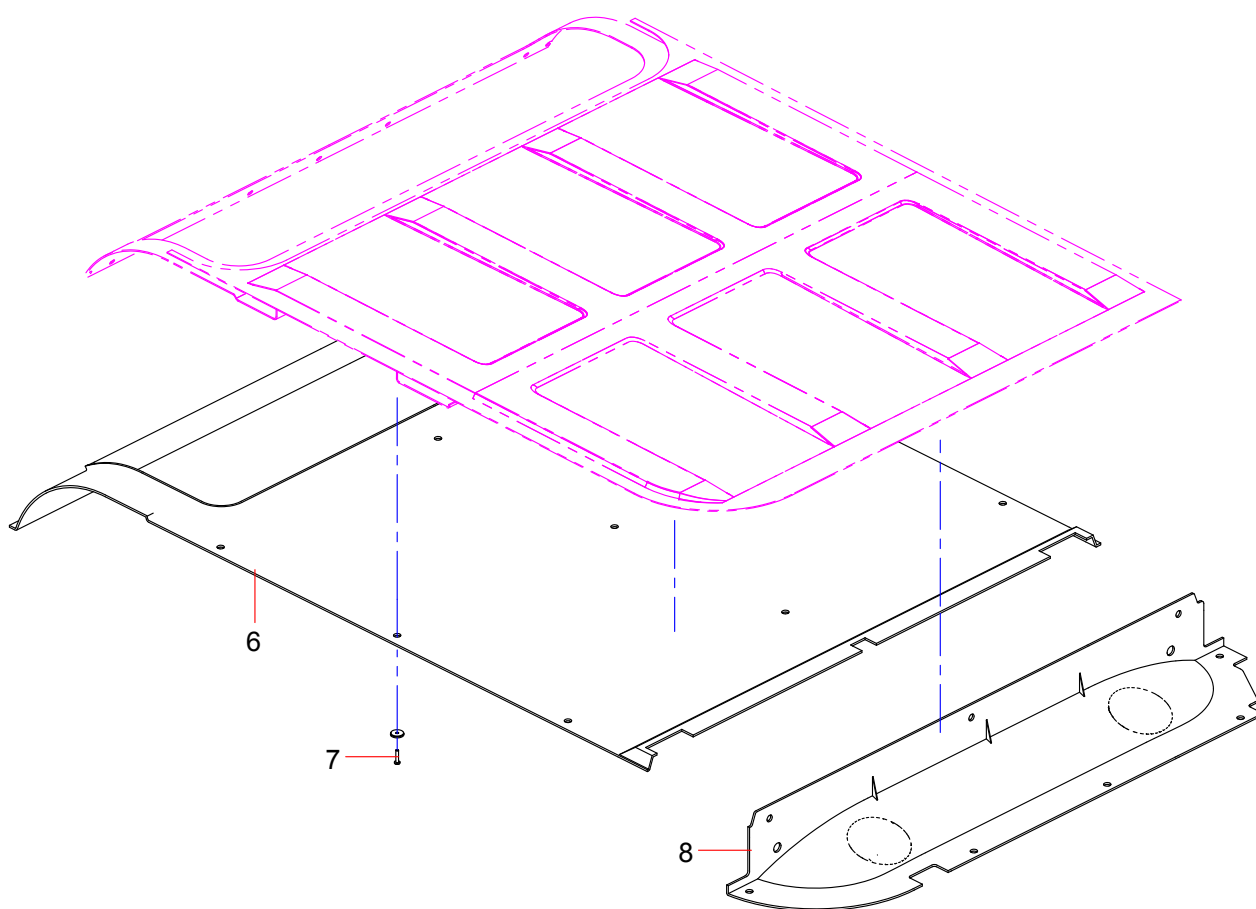
No.	Part No.	Description	Qty	Page number
1	60291929	valve block	1	
2	60291930	electromagnetism valve	3	
3	60291931	loop	3	
4	60291932	locknut	3	



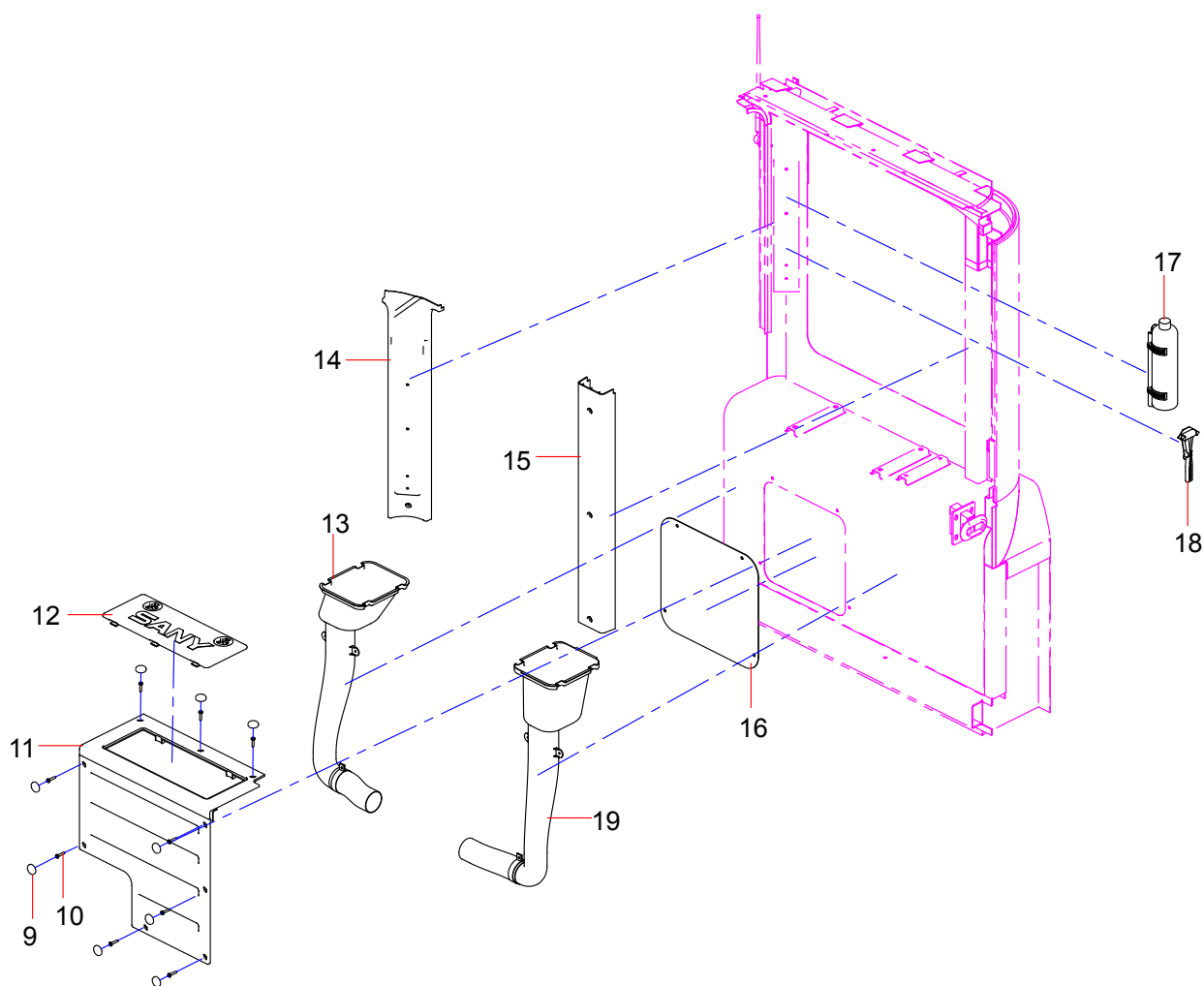
No.	Part No.	Description	Qty	Page number
1	60260125	wheel excavator cab	1	2-102
2	13383996	seat and control cabinet	1	2-124
3	13381909	Bottom board rack	1	2-134
4	A210111000343	Bolt	2	
5	24000633	Washer	16	
6	10539588	Pedal	1	
7	A820606030112	SY200.1A.5-2	1	
8	13821842	wheel installation plate for electrical equipment component	1	
9	60060546	Washer	4	
10	A210111000012	Bolt	4	
11	10714545	Side air duct sponge	1	
12	13387267	control board	1	
13	A210111000342	Bolt	14	
14	13387268	waterproof rubber pad	1	
15	13387271	control protective cover	1	
16	14176224	sponge	1	
17	14140629	base lower sponge	1	



No.	Part No.	Description	Qty	Page number
1	60146562	front lower windshield	1	
2	918080900086	windows	1	
3	60146553	side window glass	1	
4	60146555	rear windshield	1	
5	60146556	door rear glass	1	

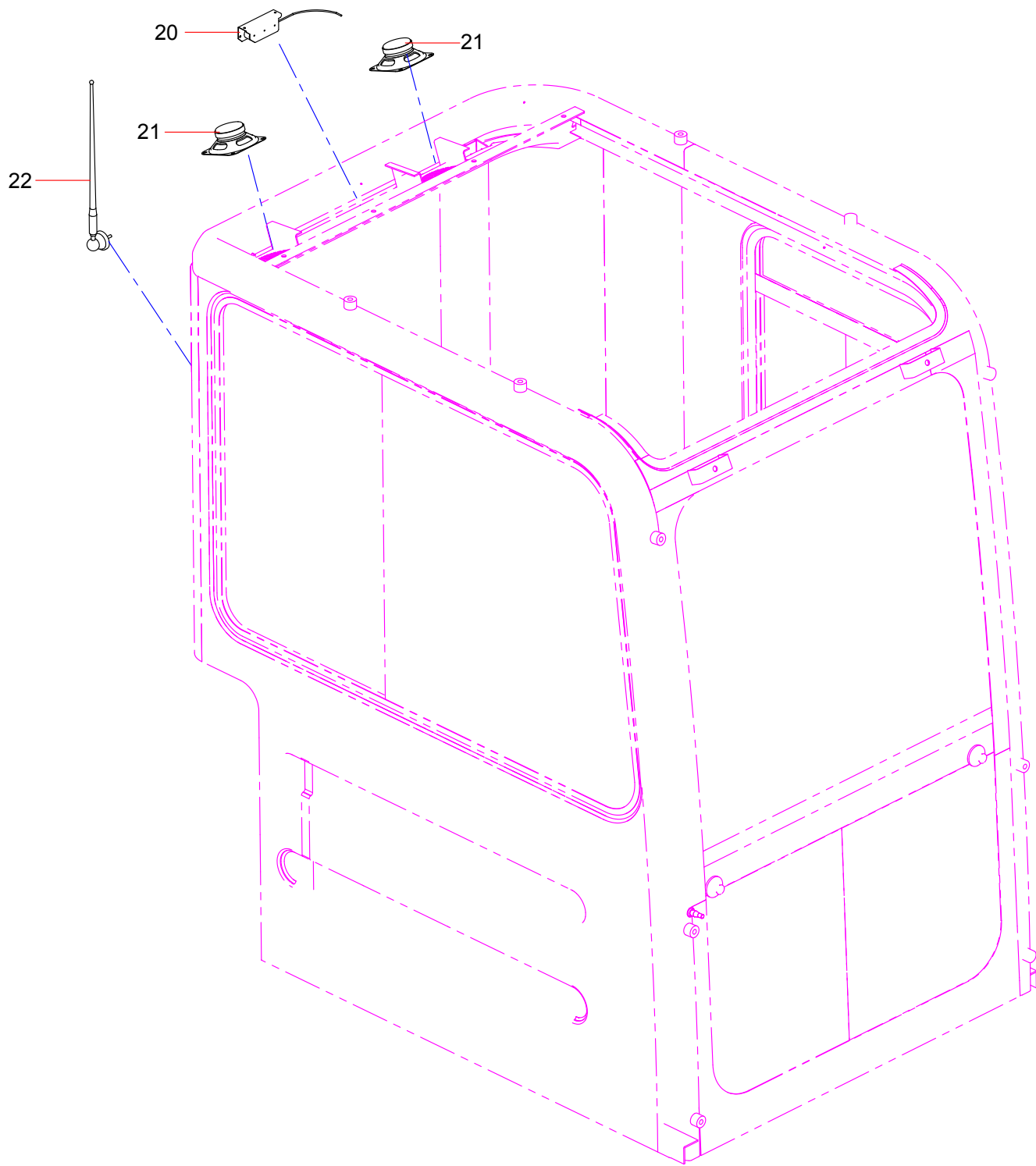


No.	Part No.	Description	Qty	Page number
6	60146533	ceiling trim assy	1	
7	60052639	Bayonet catch of top shed	12	
8	60146540	inner-decorated of cover horn	1	

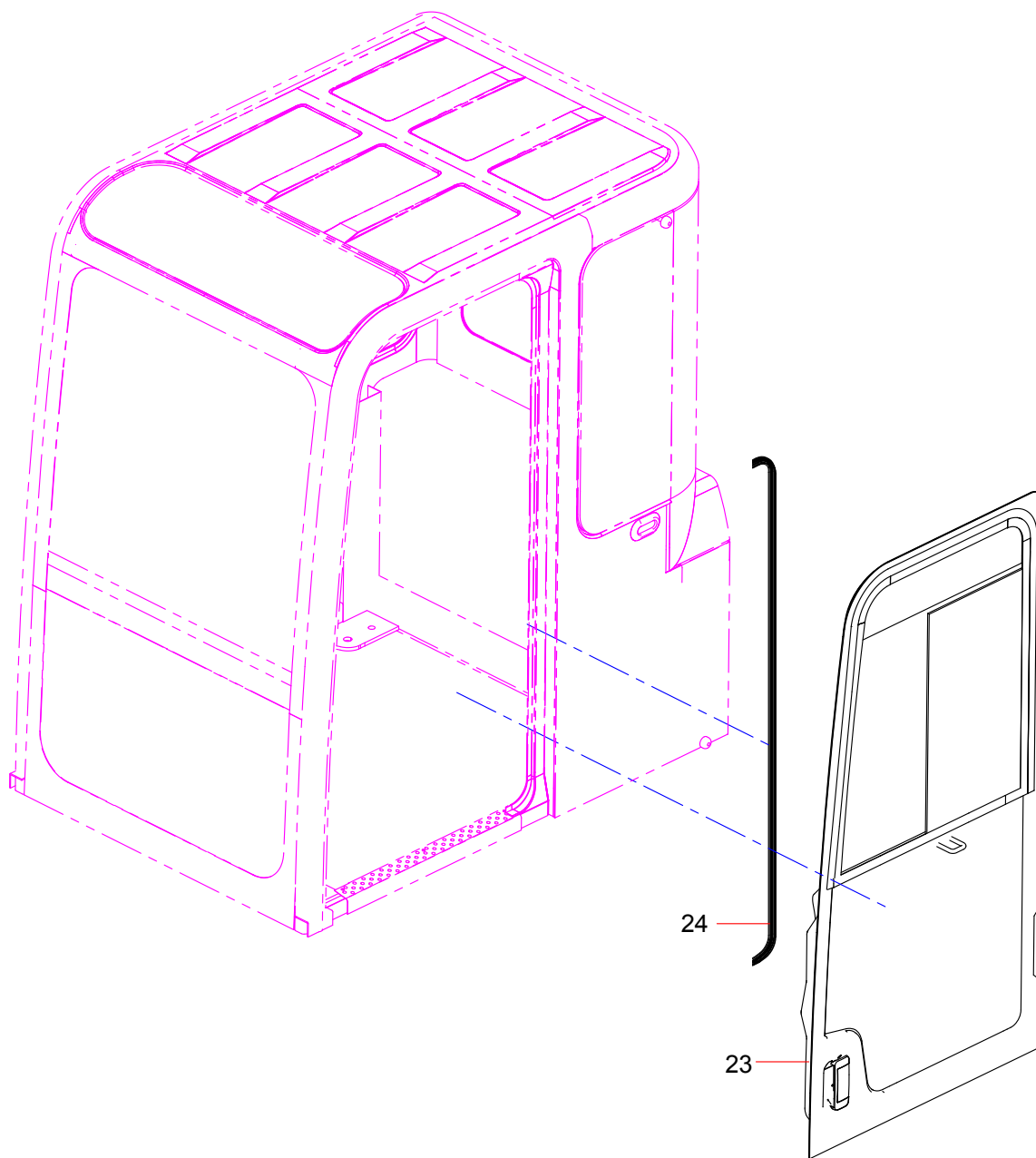




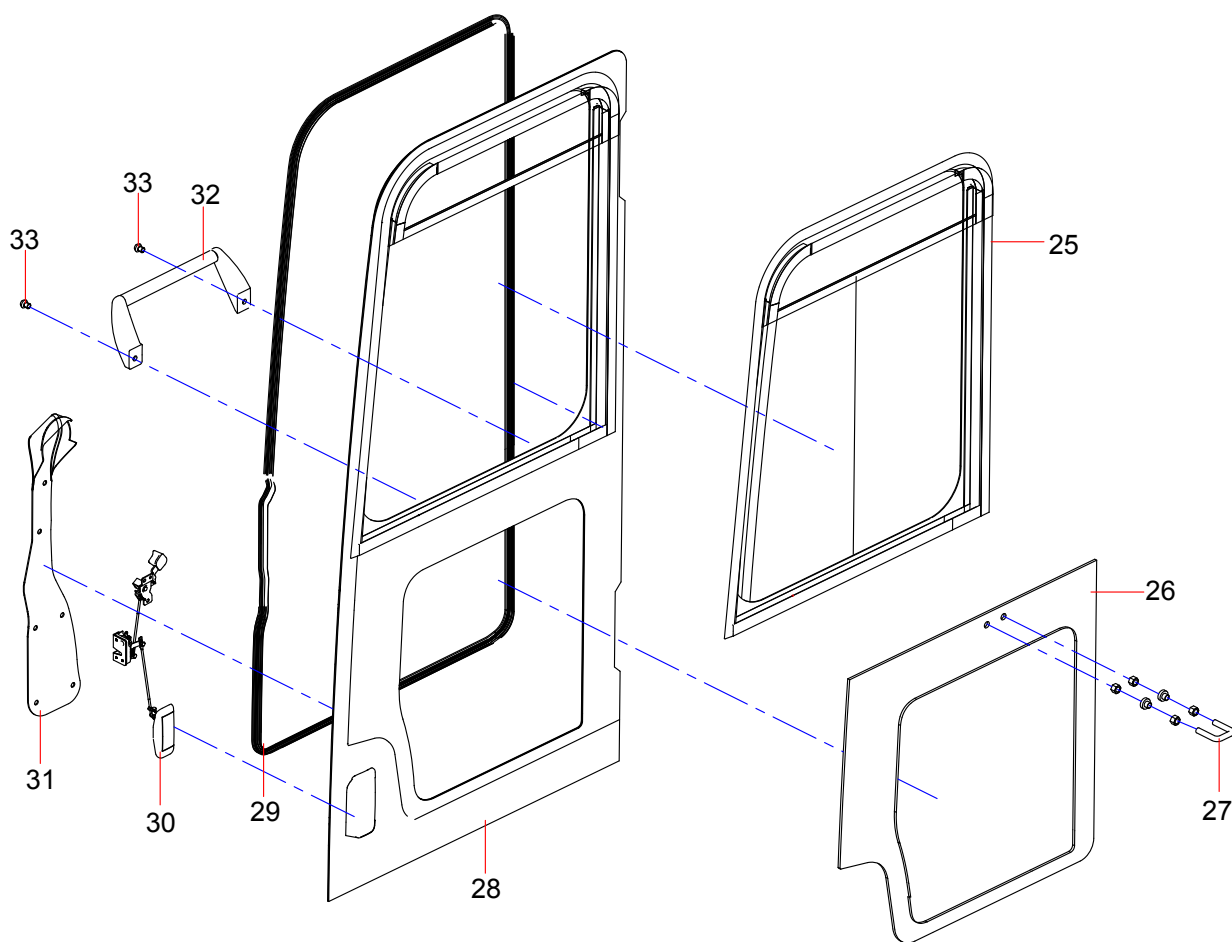
No.	Part No.	Description	Qty	Page number
9	60052641	Screw cap 2	9	
10	24002399	Screw	9	
11	60146539	inner-decorated of lower body of air-con	1	
12	60146538	inner-decorated of upper body of air-con	1	
13	60180786	right rear air duct	1	
14	60146545	inner-decorated of right-hand rear pilla	1	
15	60146534	inner-decorated of rear pillar	1	
16	60180787	Overhaul capping plate	1	
17	60001289	Fire Extinguisher	1	
18	60052666	Safety hammer	1	
19	60180788	left rear air duct	1	



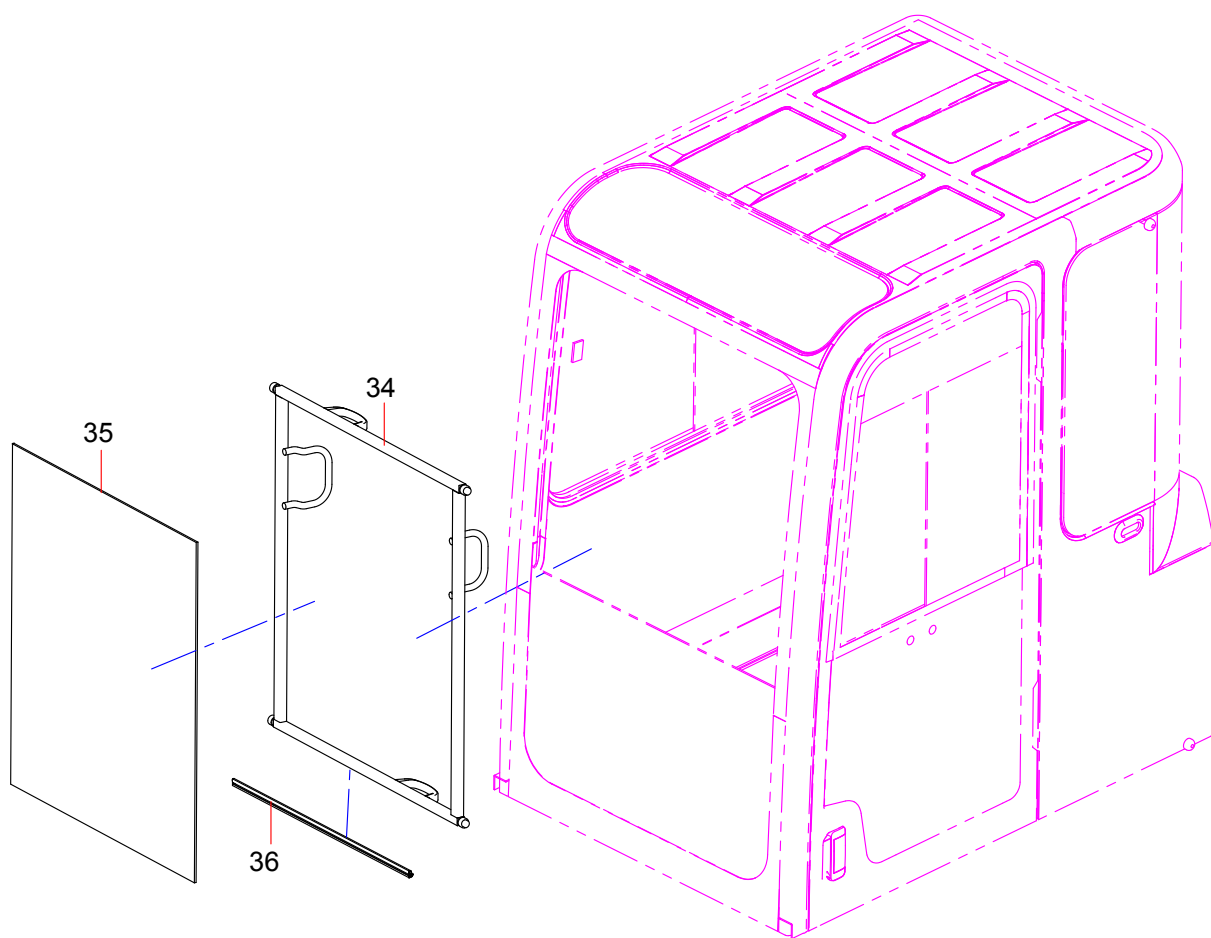
No.	Part No.	Description	Qty	Page number
20	A229900003883	A229900003883	1	
21	60023703	Speaker	2	
22	60023704	Antenna	1	



No.	Part No.	Description	Qty	Page number
23	60180789	Door assembly	1	
24	60180790	door sealant strip	1	

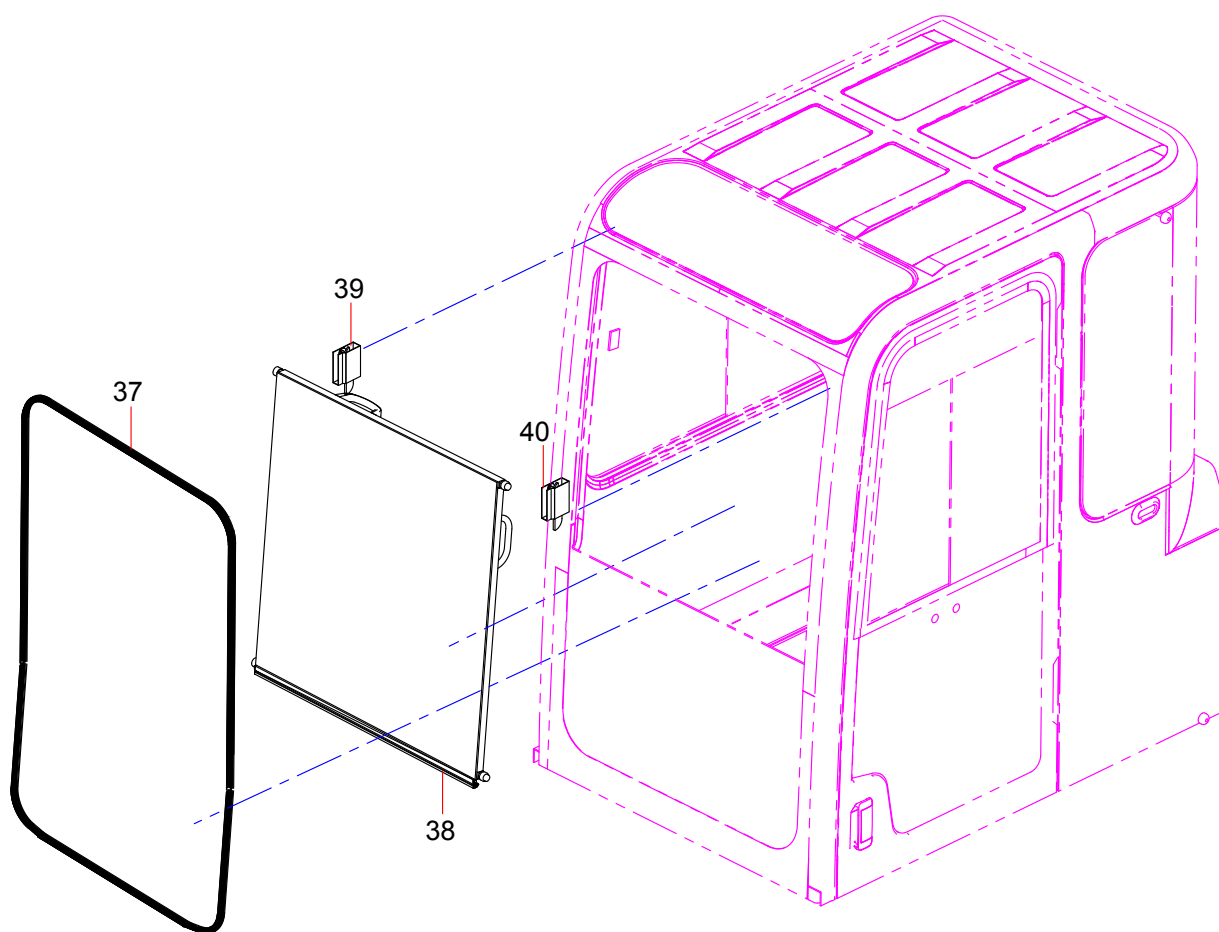


No.	Part No.	Description	Qty	Page number
25	60146537	sliding window assembly of cab door	1	
26	60146559	door lower glass	1	
27	10138053	Latch, Outer, Door	1	
28	60180792	Weldment-Door	1	
29	60180794	door sealant strip	1	
30	60180791	Door lock assembly	1	
31	60146542	Door lock cover plate	1	
32	A229900002860	Door catch 20Y-54-35690	1	
33	A210111000343	Bolt	8	

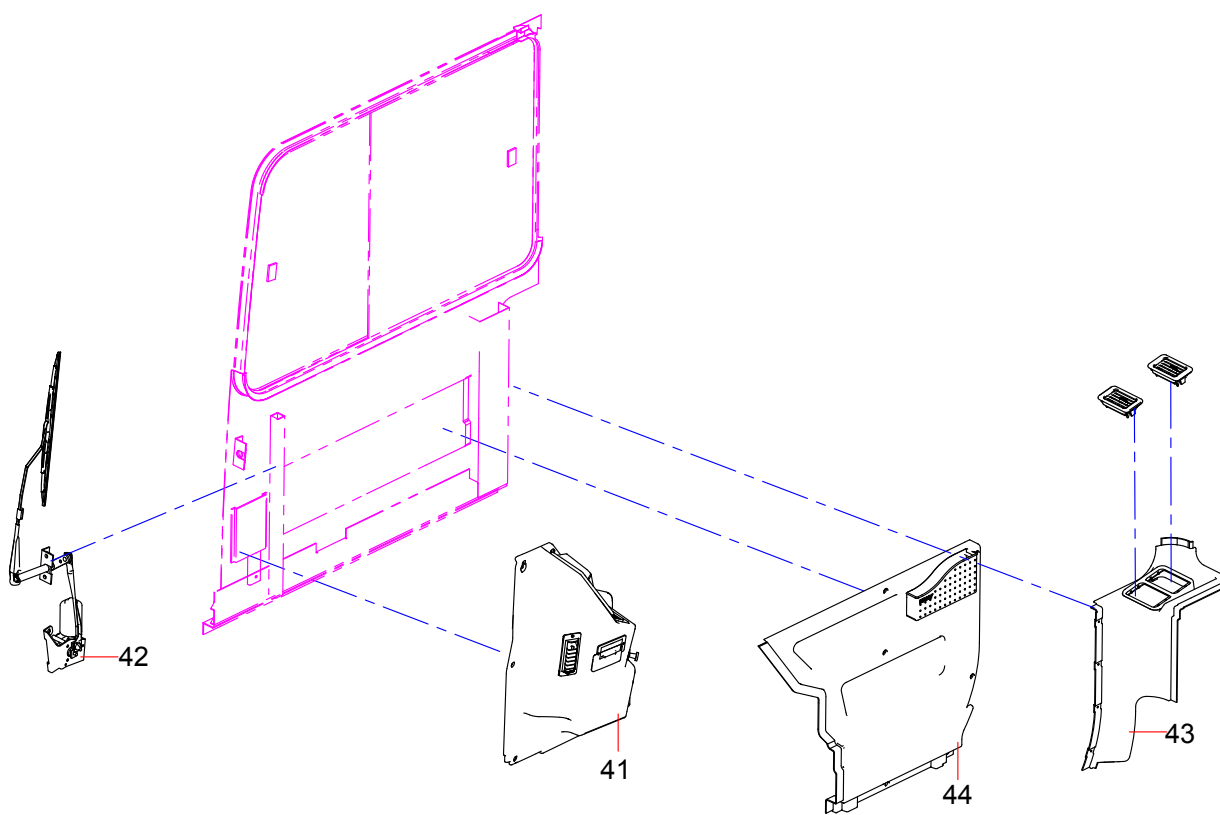




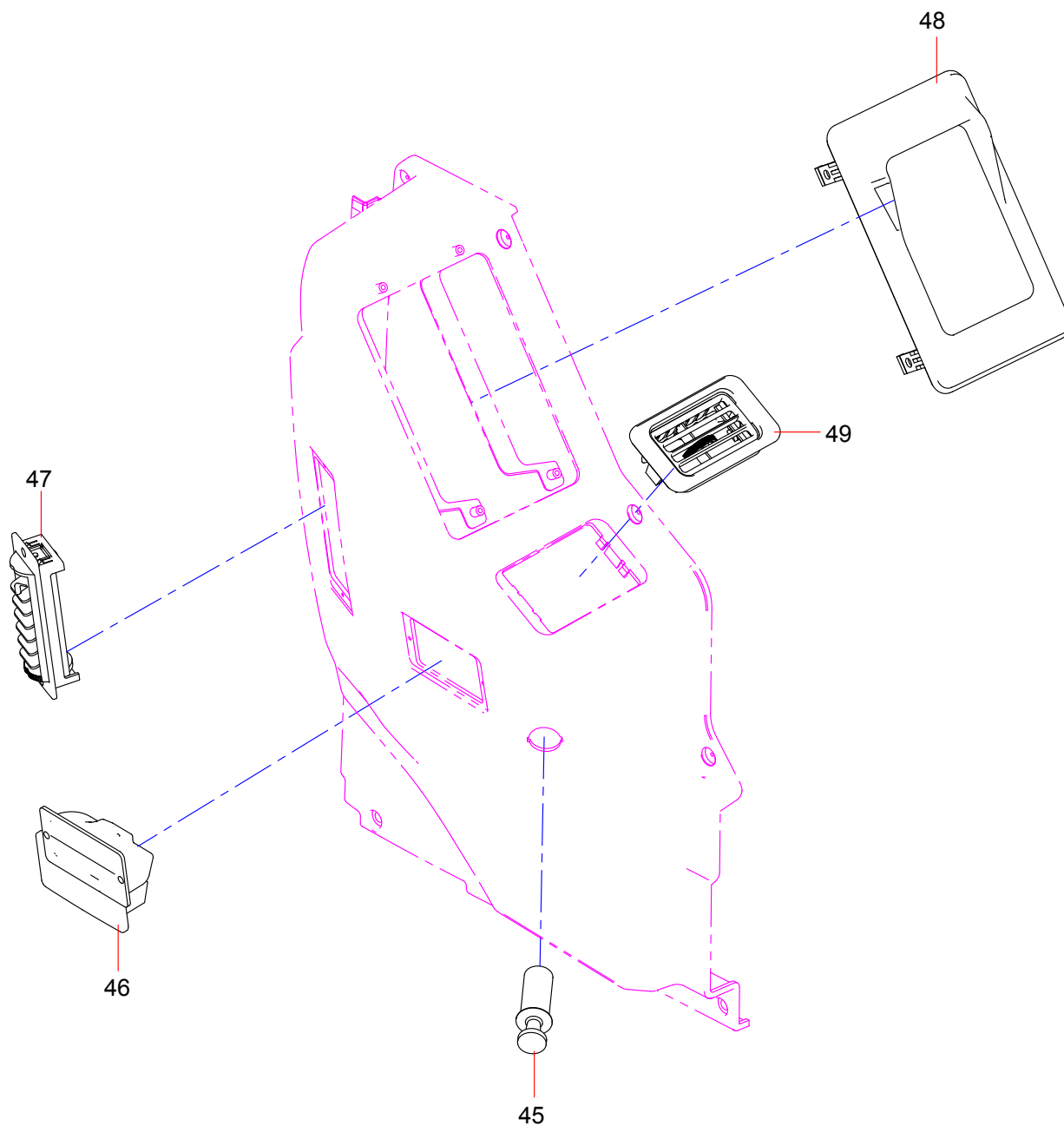
No.	Part No.	Description	Qty	Page number
34	60180795	Weldment AS-Front sliding Window	1	
35	60146560	front upper windshield	1	
36	60180796	Front sliding Window lower Sealant strip	1	



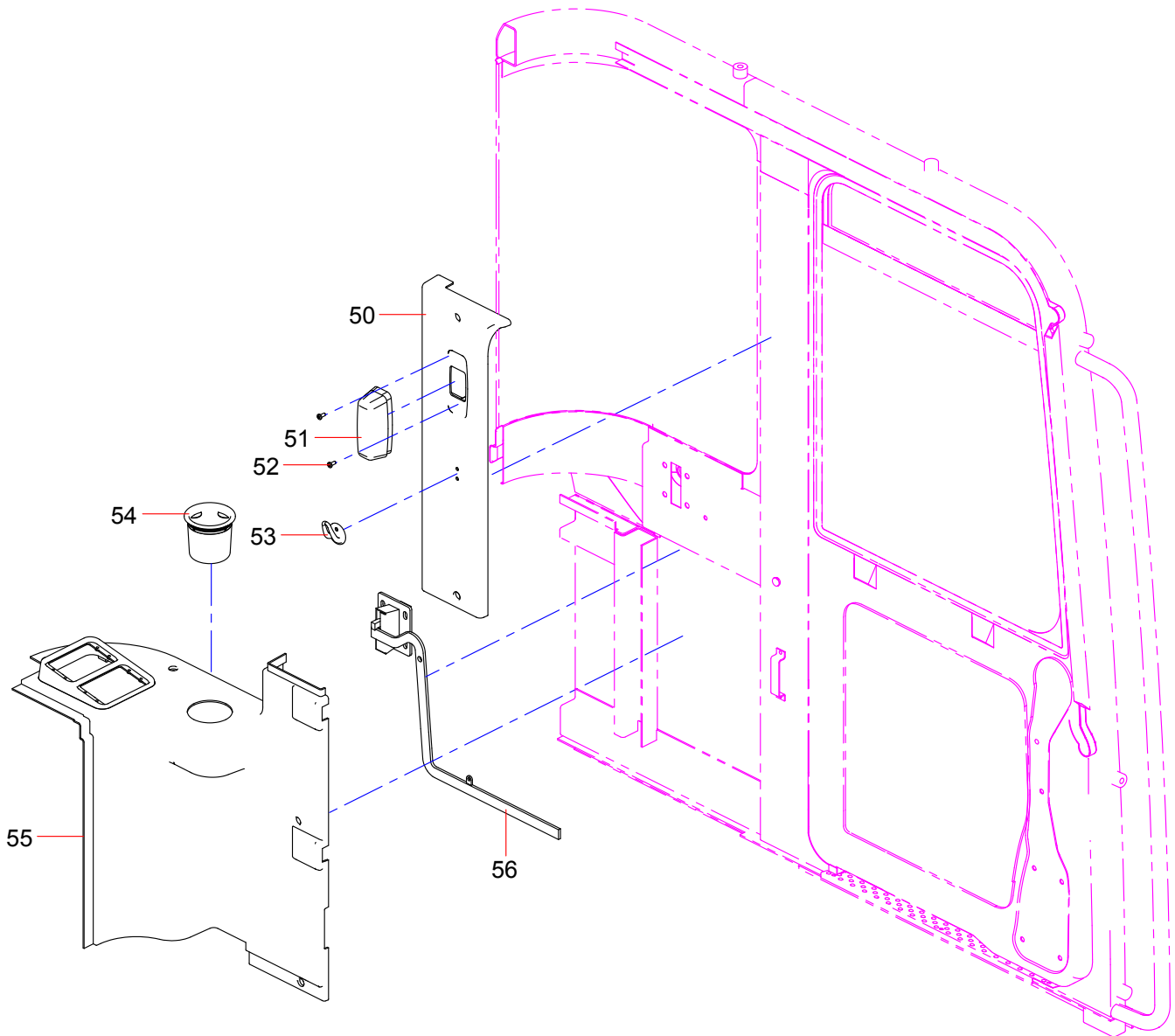
No.	Part No.	Description	Qty	Page number
37	60180797	Front sliding Window outer Sealant strip	1	
38	60180798	Front Sliding Window	1	
39	60180799	Lock-right Front Window	1	
40	60180800	Lock-left Front Window	1	



No.	Part No.	Description	Qty	Page number
41	60282267	bab front control box	1	
42	60264878	windscreen wiper assembly	1	
43	60146546	back inner-decorated of right-hand wall	1	
44	60146547	front inner-decorated of right-hand wall	1	

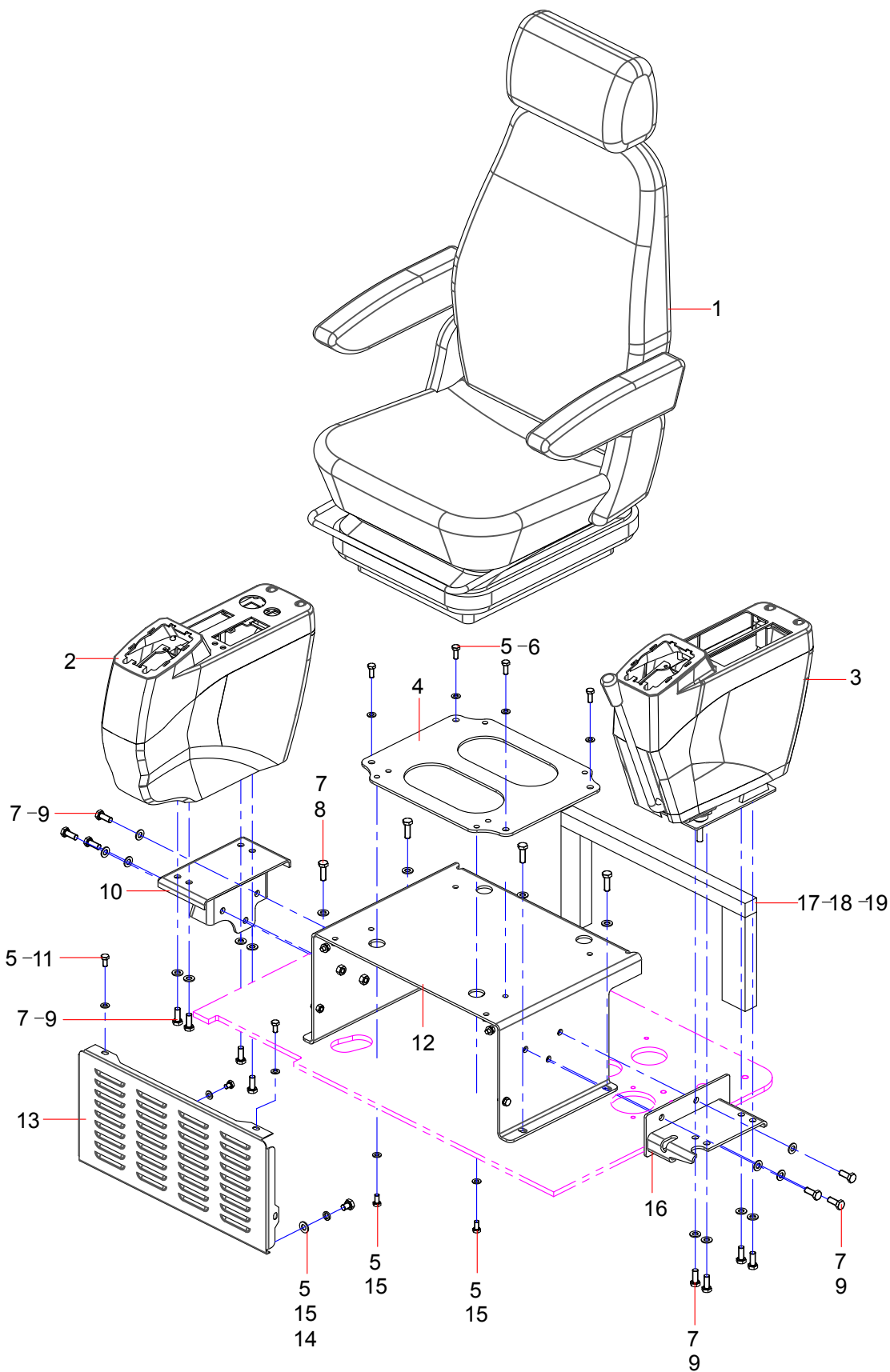


No.	Part No.	Description	Qty	Page number
45	60264881	cigarette lighter	1	
46	60052626	Ashtray	1	
47	60180803	Air outlet of air-conditionerl	1	
48	60146568	Display Screen cover	1	
49	60031109	Rear air outlet grid	5	

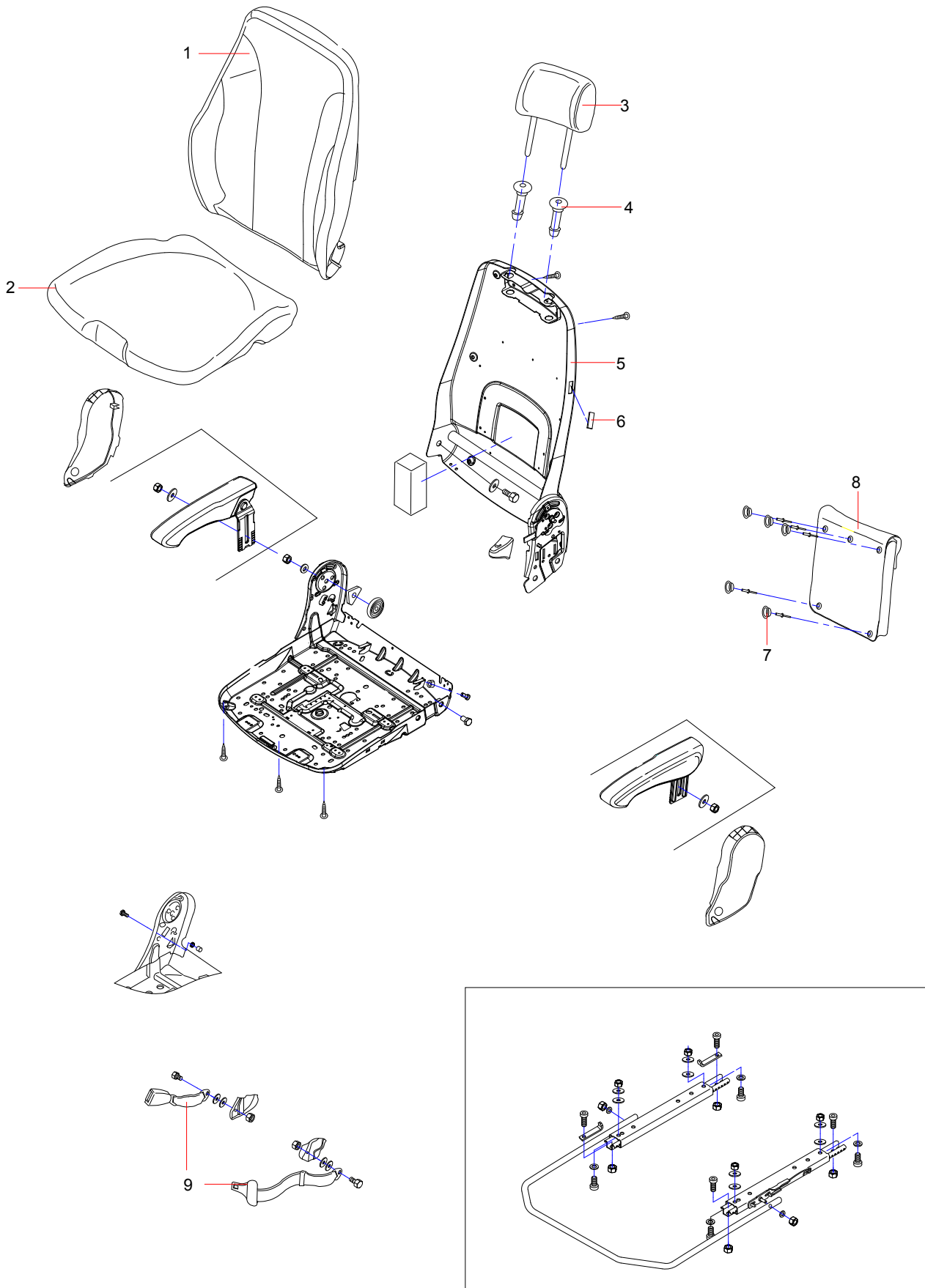




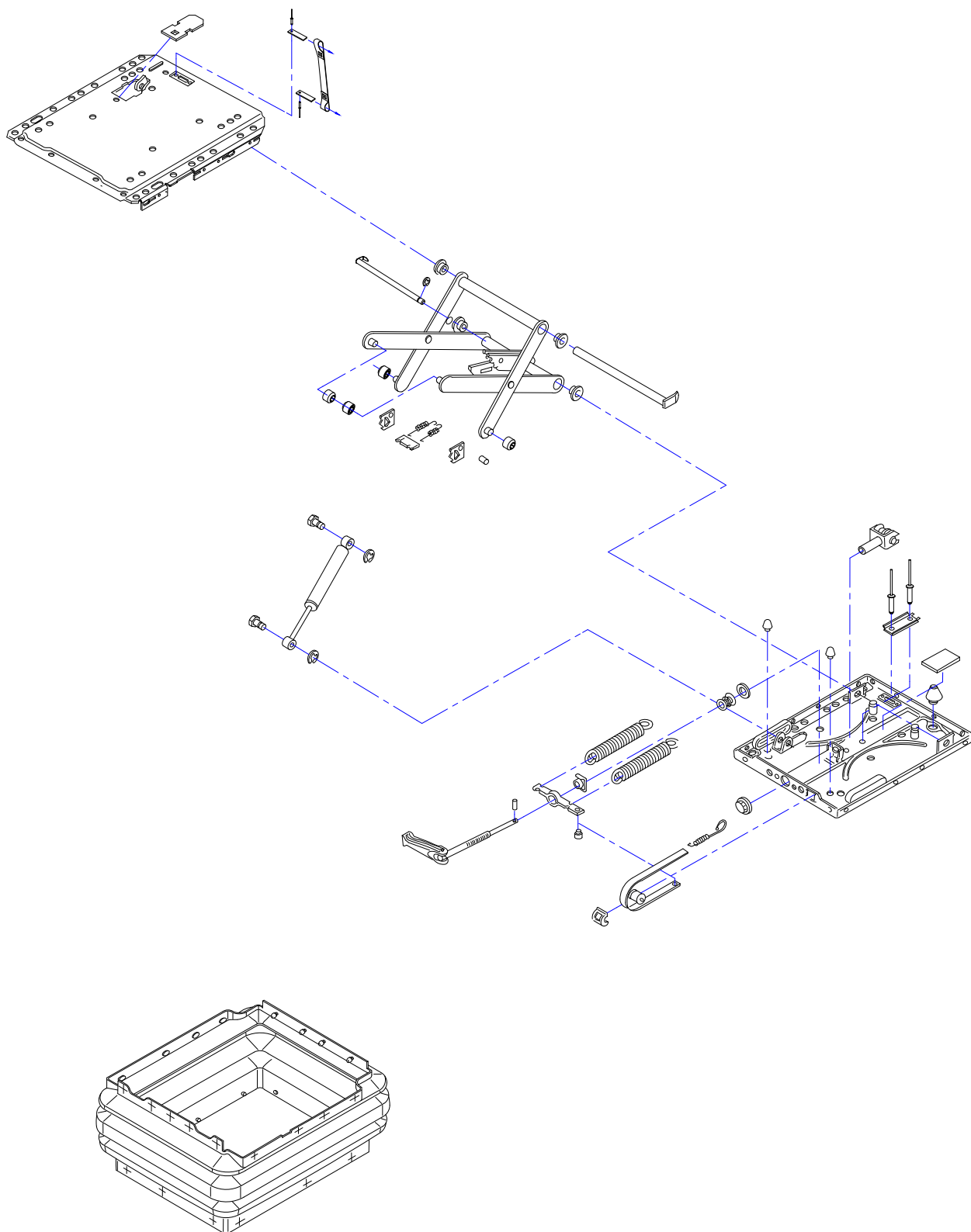
No.	Part No.	Description	Qty	Page number
50	60146541	inner-decorated of door rear pillar	1	
51	60264880	wall lamp	1	
52	A313180502003	Screw	2	
53	60180809	Pin rail	1	
54	60180808	Teacup seat	1	
55	60146551	inner-decorated of left-hand wall panel	1	
56	60052633	Door Anti-Locking Assy.	1	



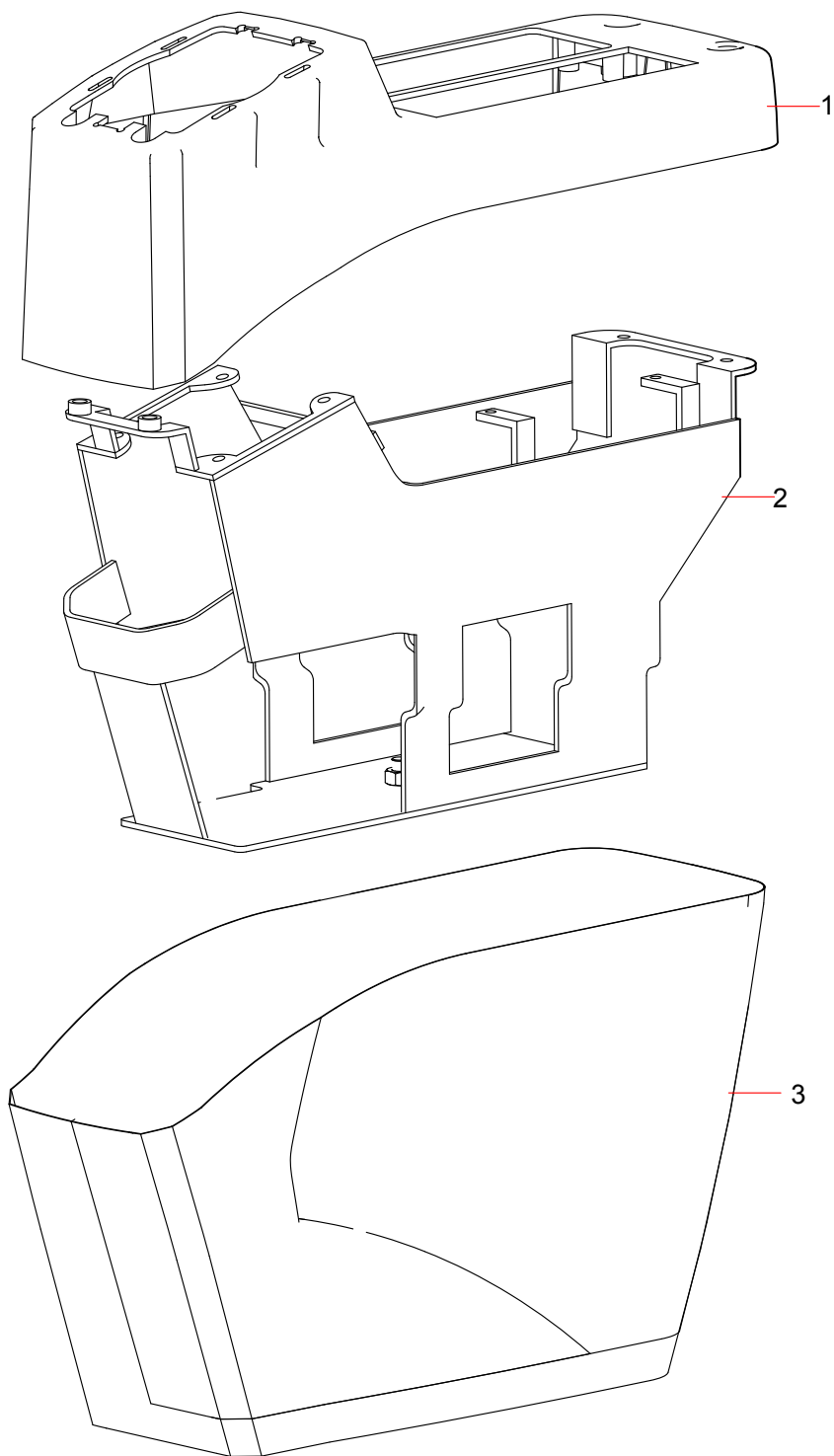
No.	Part No.	Description	Qty	Page number
1	B229900000265	Mechanical Suspension Driver seat	1	2-126
2	60282266	excavator right armrest box assembly	1	2-130
3	60253848	left armrest box assembly	1	2-132
4	A820101343843	Seat connecting	1	
5	24000633	Washer	16	
6	A210111000343	Bolt	4	
7	24000637	Washer	18	
8	A210111000024	Bolt	4	
9	A210111000197	Bolt	14	
10	10539590	Right Control box Support Abutment	1	
11	A210111000342	Bolt	8	
12	13383990	left armrest box base	1	
13	11523058	plate	1	
14	A210111000240	Bolt	4	
15	24000511	Washer	4	
16	13383987	Installation Seat	1	
17	11755709	top sealing sponge	1	
18	11755760	right sealing sponge	1	
19	11755408	left sealing sponge	1	



No.	Part No.	Description	Qty	Page number
1	60153633	Backrest cushion local Fabric gray	1	
2	60153810	Seat cushion local fabric gray	1	
3	60153648	Backrest extension local fabric gray	1	
4	60153704	Bushing	1	
5	60153632	Backrest gs.Scr.	1	
6	60153625	COVER BLACK	1	
7	60153669	BALL F.DRKN.GALV.BLACK	1	
8	60153650	DOCUMENT FOLDER VNL	1	
9	60153695	Seat belt	1	

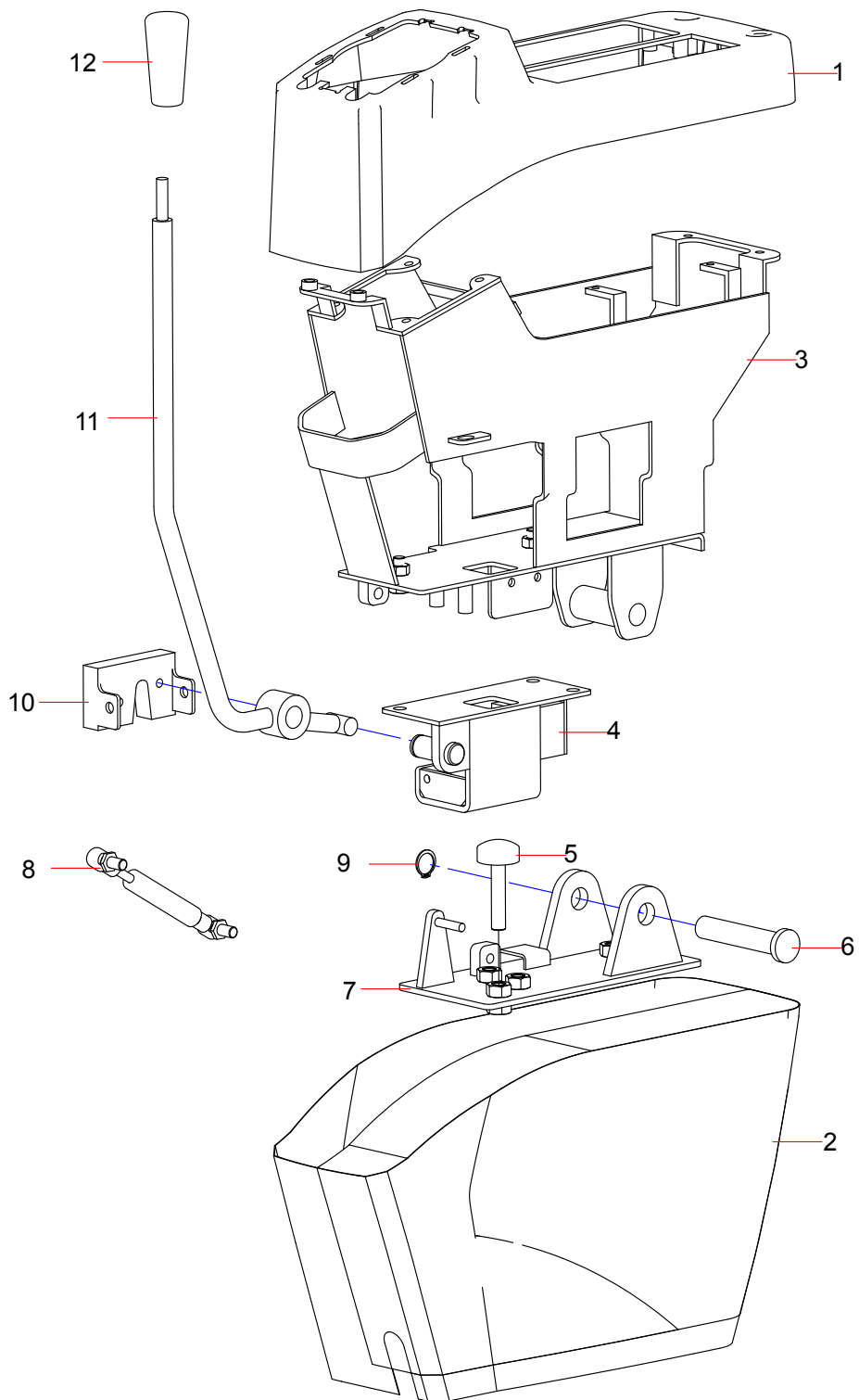


No.	Part No.	Description	Qty	Page number
1	60153633	Backrest cushion local Fabric gray	1	
2	60153810	Seat cushion local fabric gray	1	
3	60153648	Backrest extension local fabric gray	1	
4	60153704	Bushing	1	
5	60153632	Backrest gs.Scr.	1	
6	60153625	COVER BLACK	1	
7	60153669	BALL F.DRKN.GALV.BLACK	1	
8	60153650	DOCUMENT FOLDER VNL	1	
9	60153695	Seat belt	1	

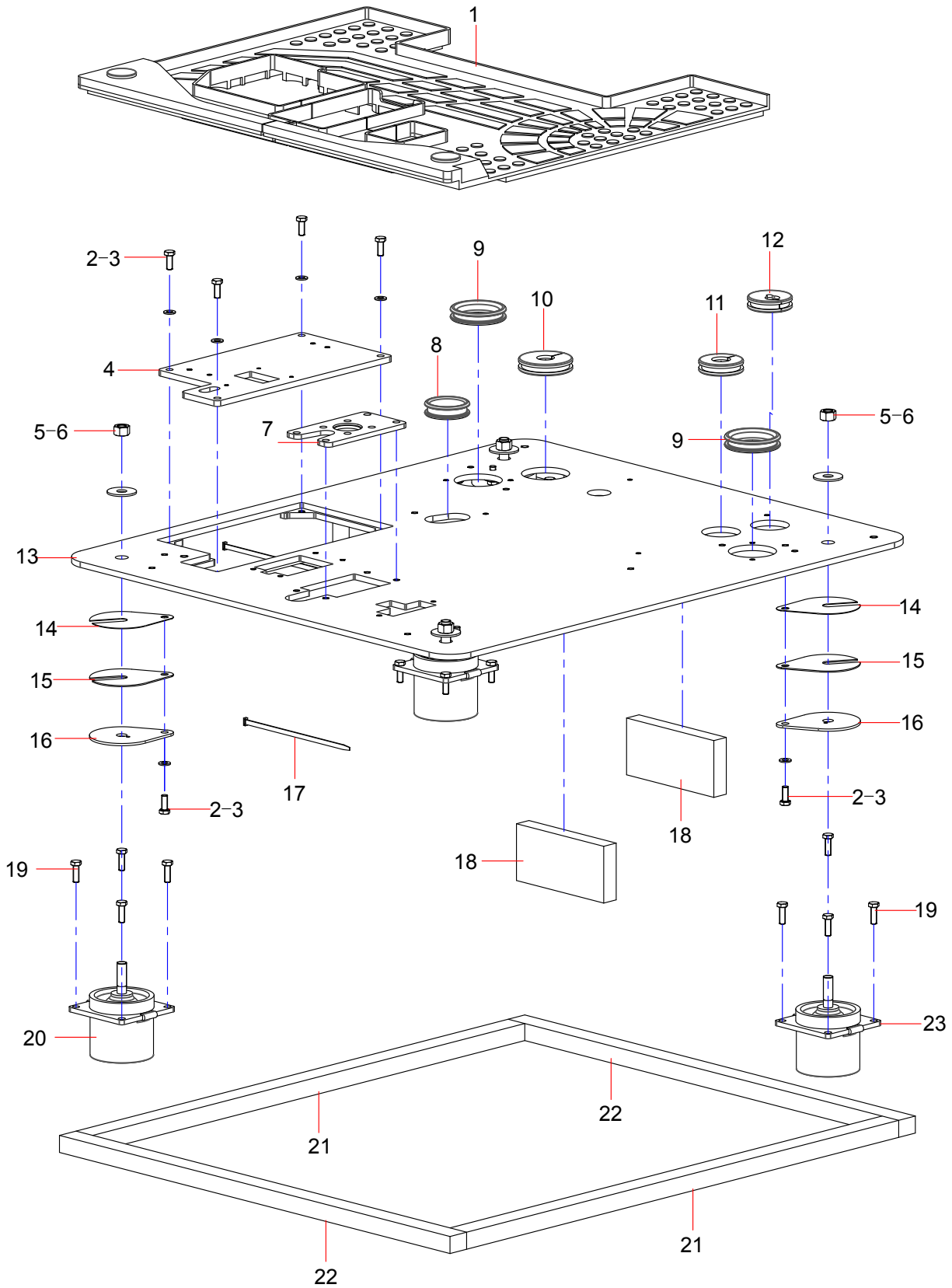




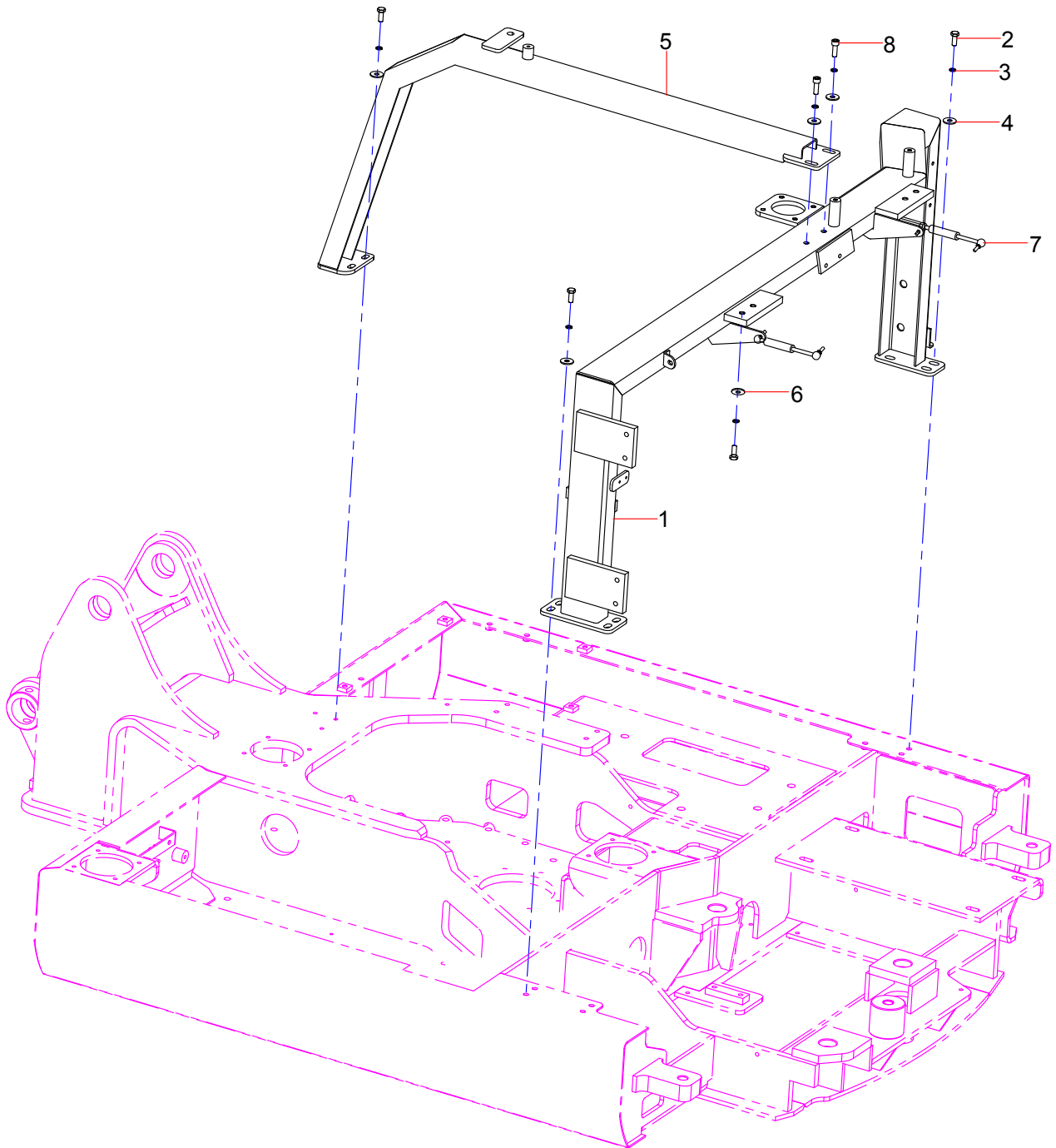
No.	Part No.	Description	Qty	Page number
1	60312829	right armrest box upper cover	1	
2	60312831	framework	1	
3	60312830	right armrest box lower cover	1	



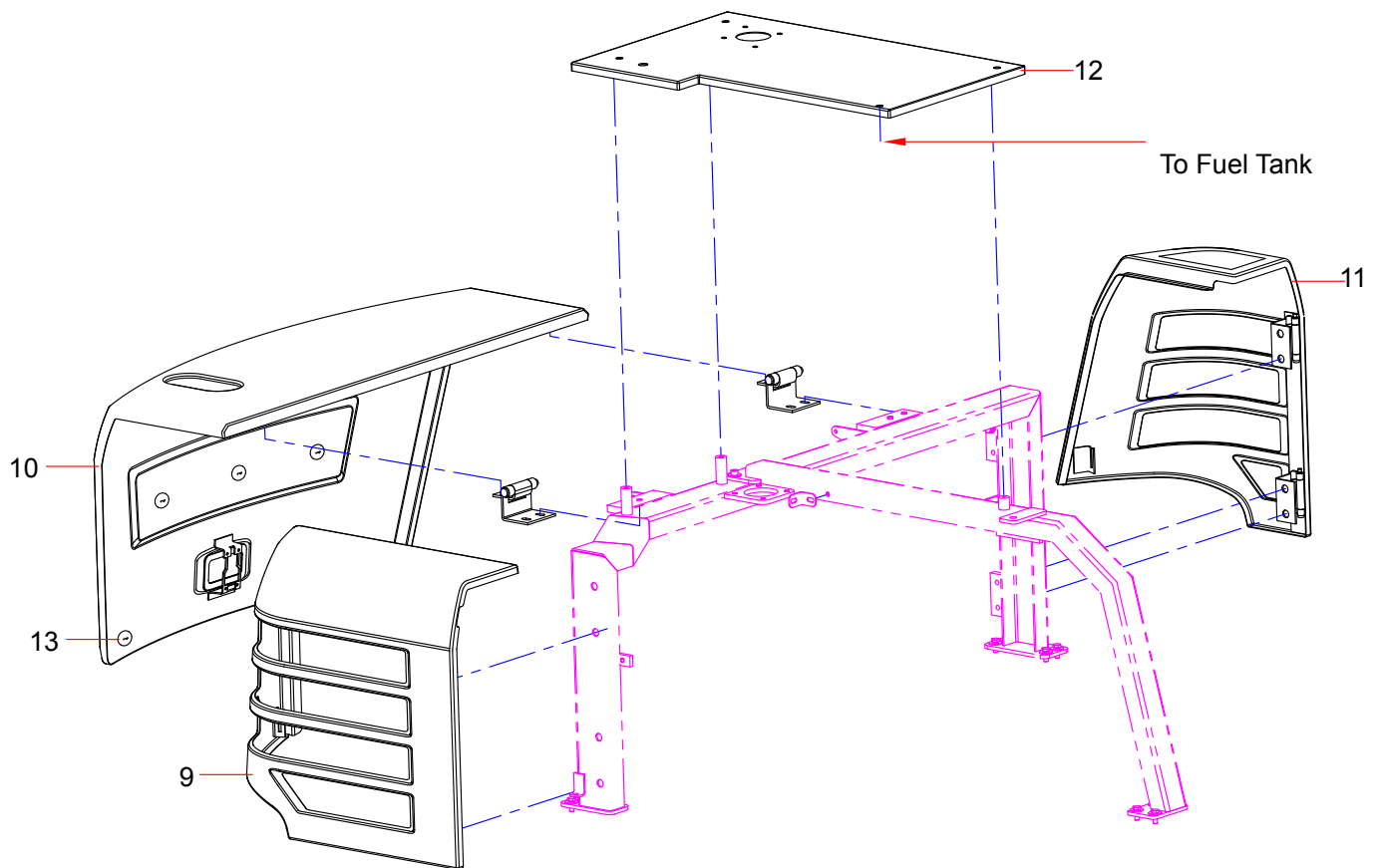
No.	Part No.	Description	Qty	Page number
1	60312819	left armrest box upper cover	1	
2	60312820	left armrest box lower cover	1	
3	60312821	upper framework	1	
4	60312822	lock board	1	
5	A810502019056	Setscrew	1	
6	60312823	rotating shaft	1	
7	60312824	lower framework	1	
8	60312825	Gas spring	1	
9	A210414000003	Retainer Ring	1	
10	60312826	lock	1	
11	60312827	control lever	1	
12	60312828	handle	1	



No.	Part No.	Description	Qty	Page number
1	13374184	Floor Cushion	1	
2	24000637	Washer	8	
3	A210111000197	Bolt	8	
4	13374183	manhole cover	1	
5	60060553	Washer	4	
6	A210307000028	Nut	4	
7	13420976	fixed plate	1	
8	A820606030059	Grommet	1	
9	A820606030056	Grommet	2	
10	14387726	Rubber sleeve	1	
11	14387724	Rubber sleeve	1	
12	14387727	Rubber sleeve	1	
13	13374187	Bottom board	1	
14	A820101210709	gasket	4	
15	A820101210710	gasket	4	
16	A820101117029	Cushion	4	
17	A239900000065	Nylon belting	9	
18	A820699000215	Back sponge	2	
19	A210111000024	Bolt	16	
20	60039790	cab shock absorber	2	
21	13895226	spone	2	
22	13895225	sponge	2	
23	60039791	cab shock absorber	2	

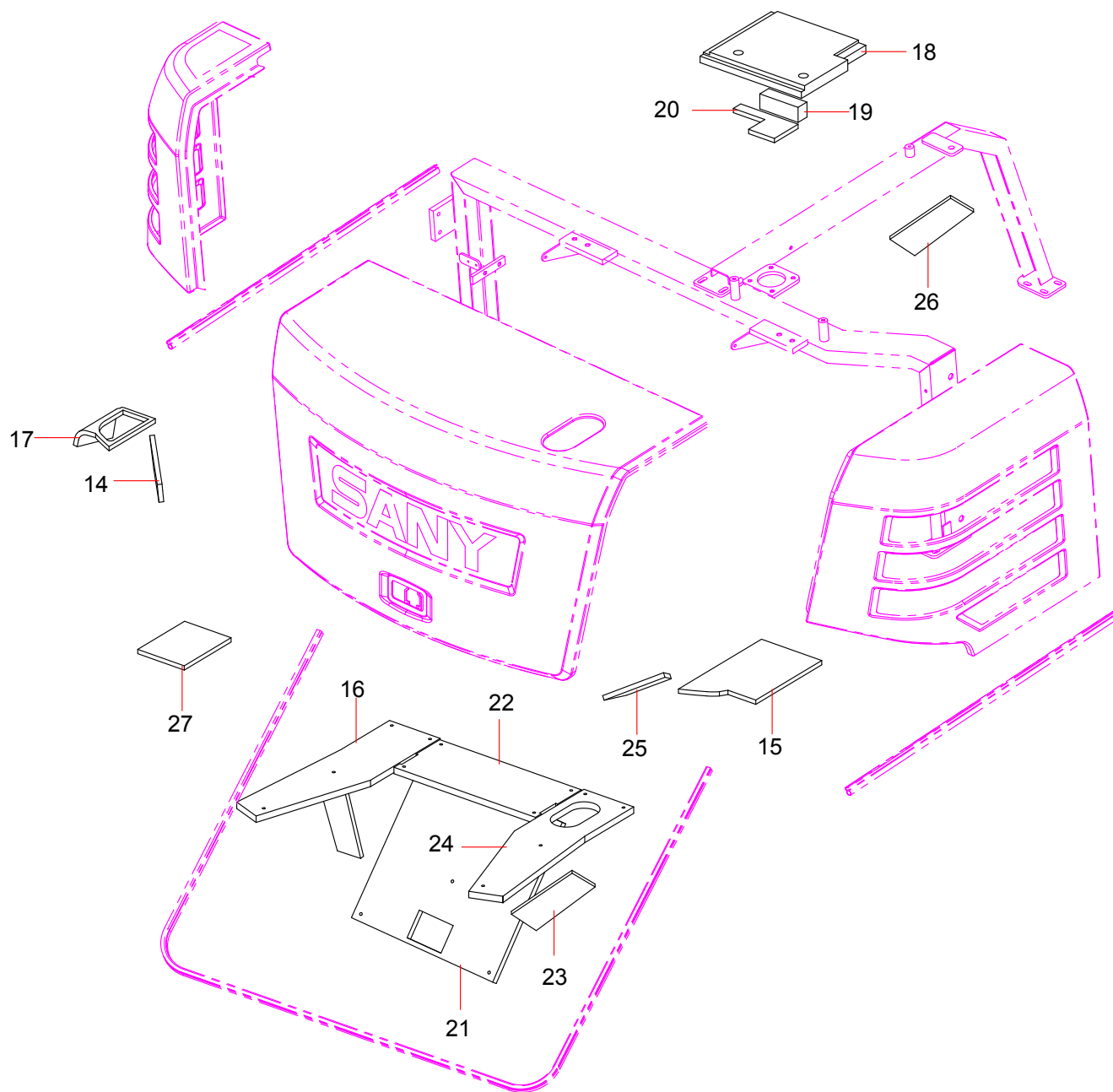


No.	Part No.	Description	Qty	Page number
1	13517745	bracket assembly	1	2-146
2	A210111000197	Bolt	32	
3	24000512	Washer	29	
4	60060546	Washer	16	
5	13208020	Front beam	1	
6	24000637	Washer	22	
7	60078540	Rear hood gas spring	3	
8	A210111000024	Bolt	2	

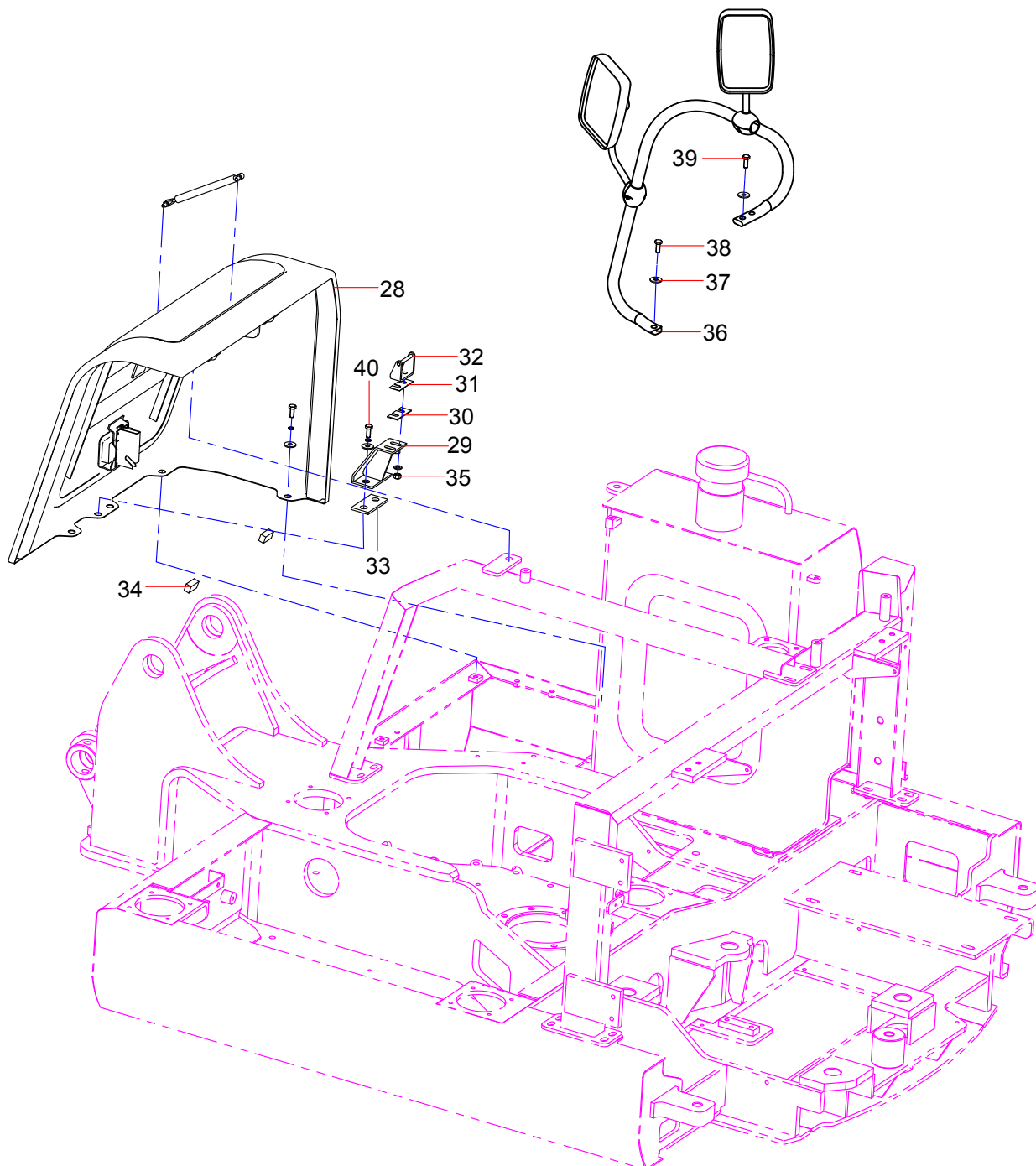




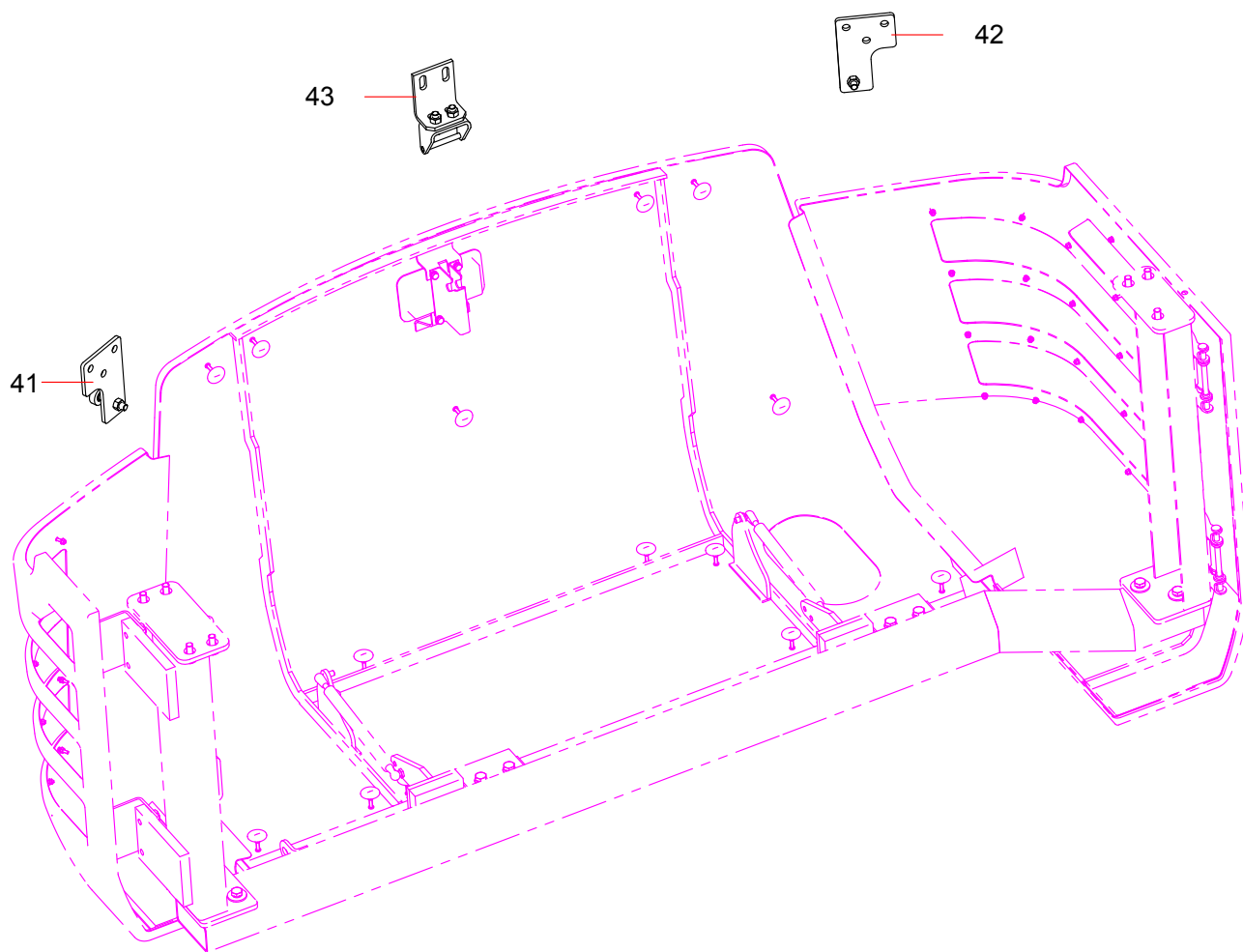
No.	Part No.	Description	Qty	Page number
9	11301628	Right Door Assy.	1	2-148
10	12259581	Assembly of rear hood	1	2-150
11	11328611	Left Door Assy.	1	2-152
12	13208011	Upper Cover Plate	1	
13	11961759	Cramp	17	



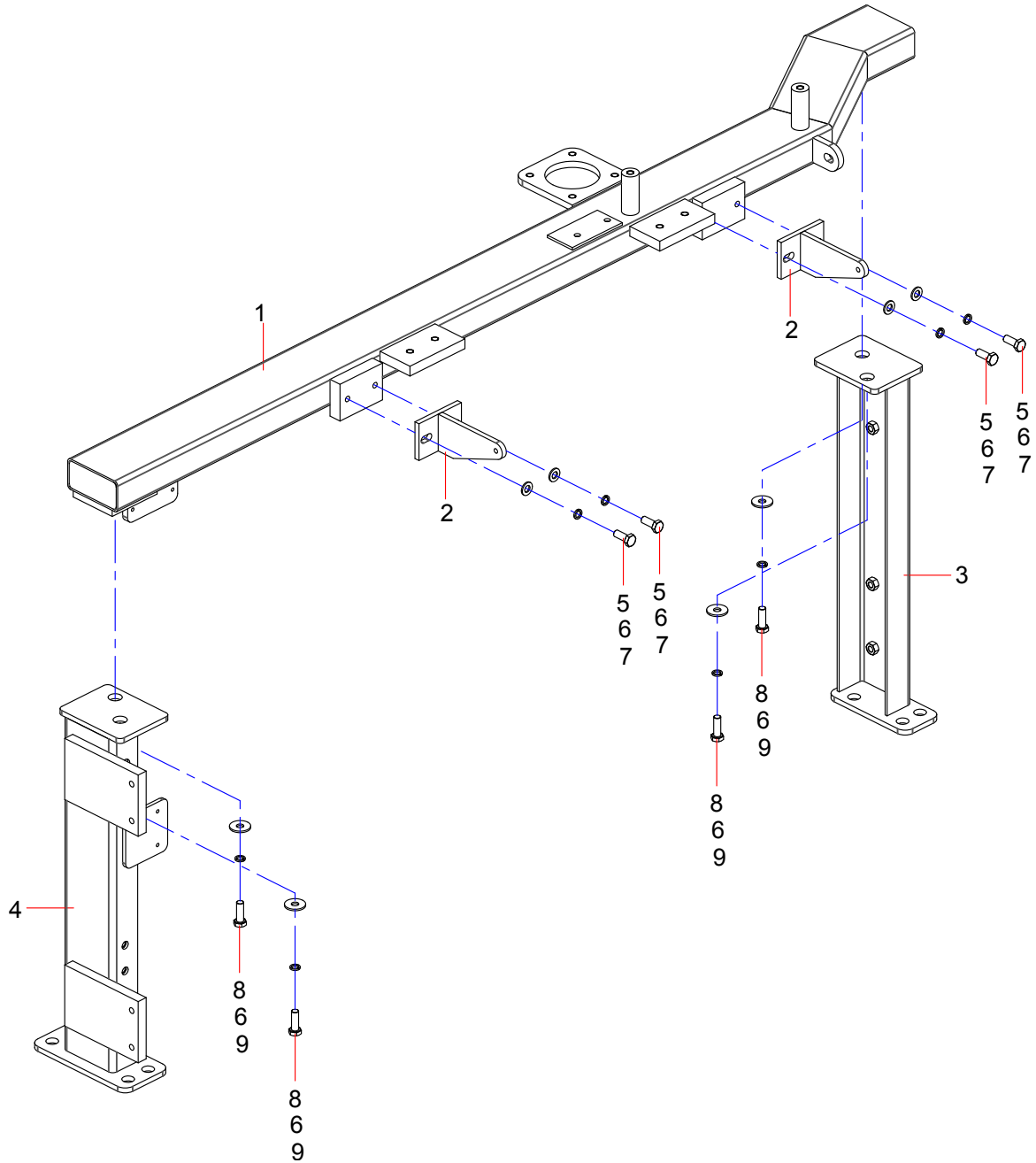
No.	Part No.	Description	Qty	Page number
14	11116149	sponge	1	
15	11116152	sponge	1	
16	11116134	sponge	1	
17	11173414	sponge	1	
18	13208016	Upper sponge	1	
19	10742772	Lower sponge	1	
20	10742773	Central sponge	1	
21	11116396	sponge	1	
22	11239998	sponge	1	
23	11116317	sponge	1	
24	12271571	sponge	1	
25	11116318	sponge	1	
26	12271558	sponge	1	
27	13330010	Sponge I	1	



No.	Part No.	Description	Qty	Page number
28	11303099	Toolbox assembly	1	
29	11636523	Support component	1	
30	11636576	Spacer	1	
31	11636579	Spacer	1	
32	11636615	Locker assembly	1	
33	11748855	plate	1	
34	14499736	Limit sponge	4	
35	A210307000036	Nut	2	
36	13514936	rear-view mirror assembly	1	2-154
37	24000639	Washer	3	
38	A210111000202	Bolt	1	
39	A210111000204	Bolt	2	
40	A210111000026	Bolt	2	

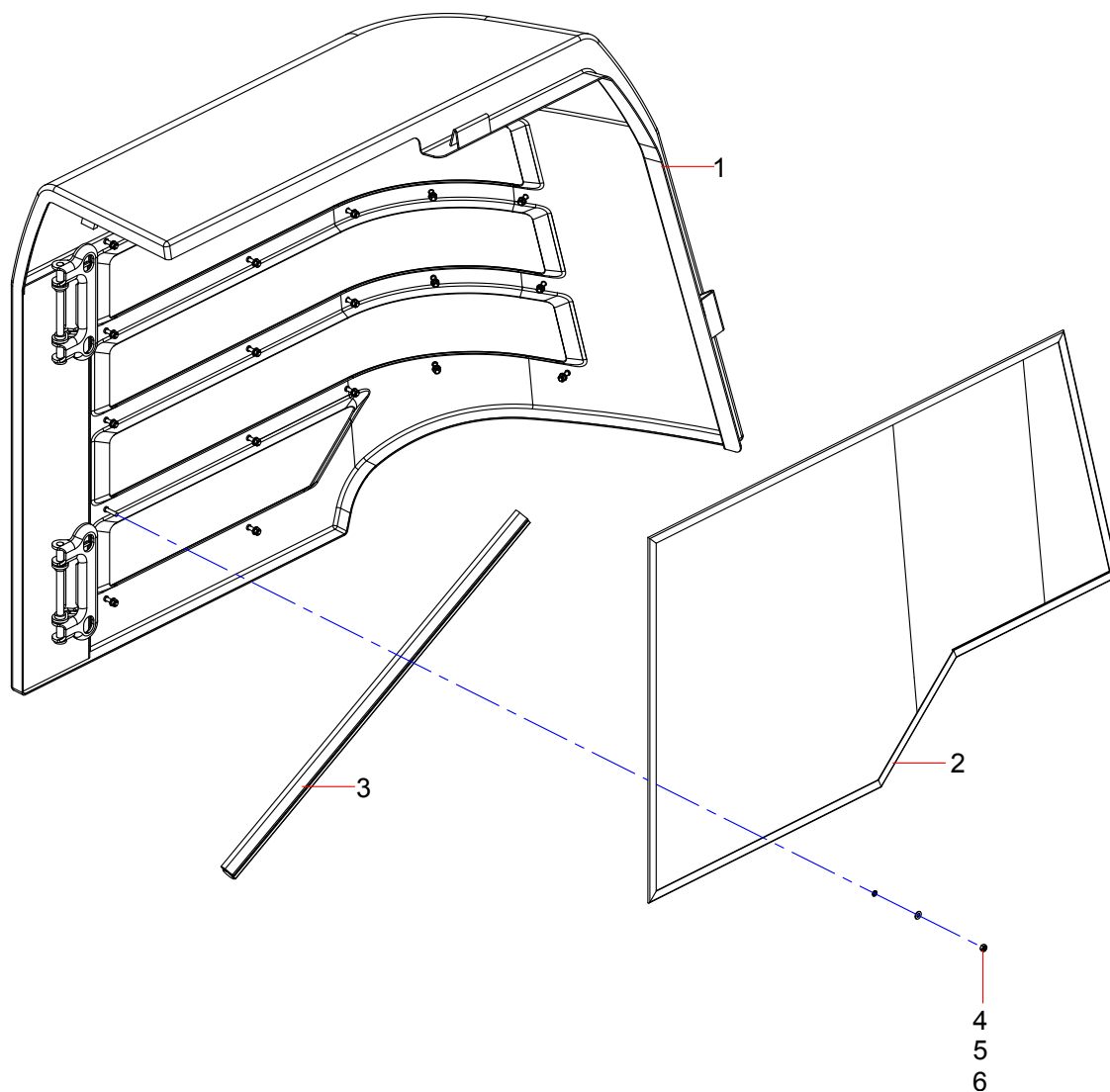


No.	Part No.	Description	Qty	Page number
41	12857167	Right Support Abutment component	1	2-160
42	12857496	Left Support Abutment component	1	2-162
43	11463118	general assembly of locker	1	2-164

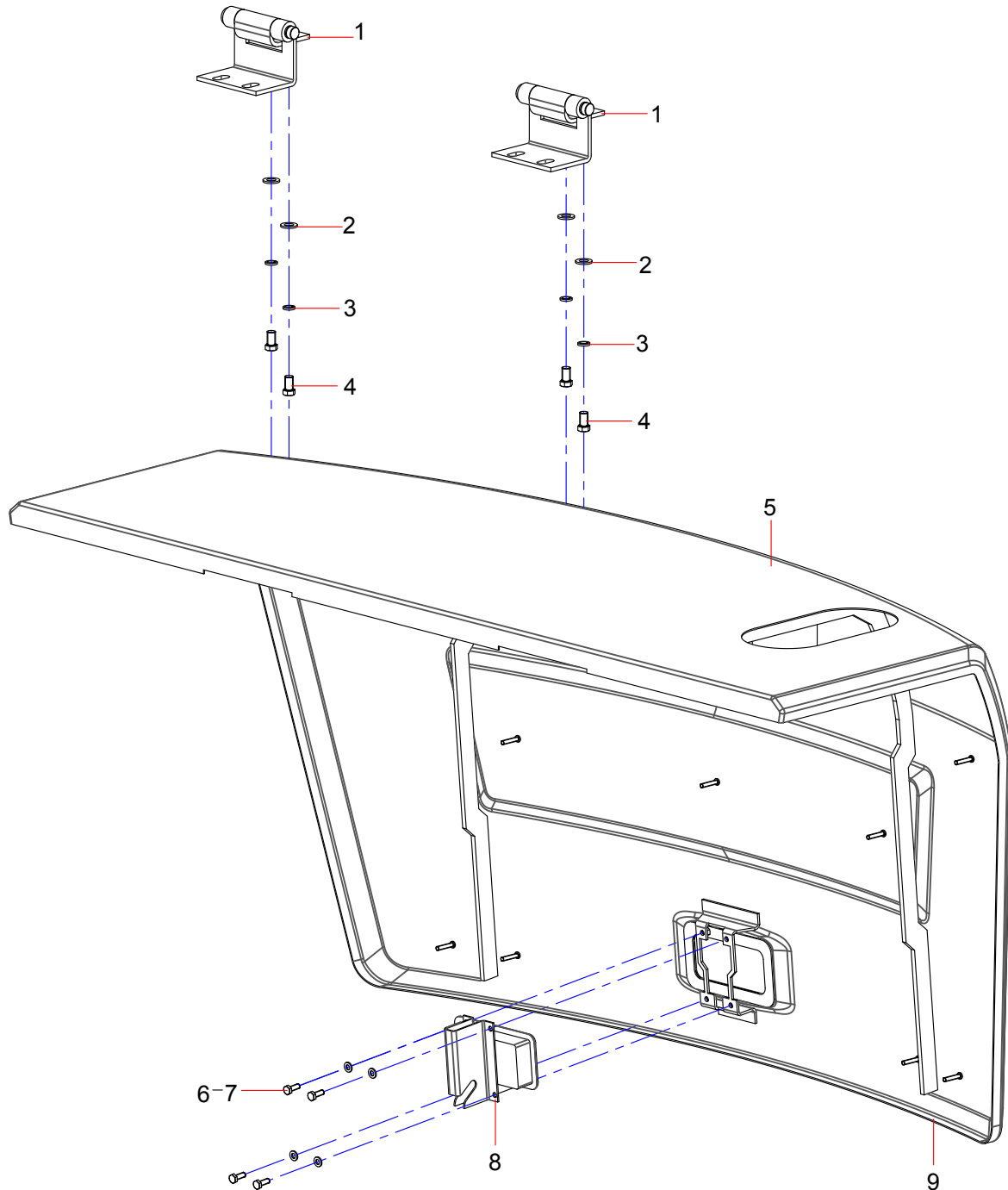




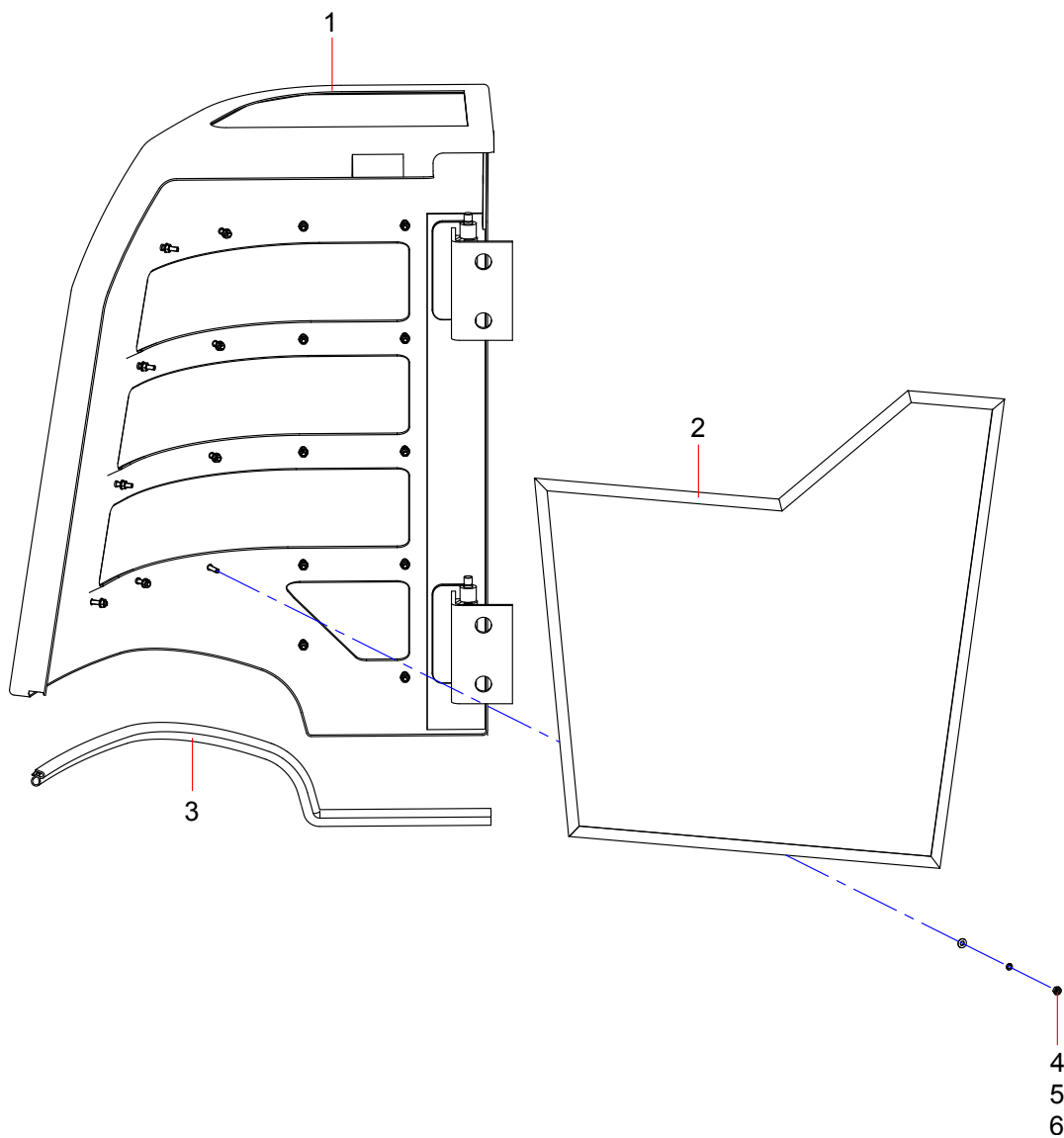
No.	Part No.	Description	Qty	Page number
1	13517744	cross beam assembly	1	
2	11665641	Bracket Component	2	
3	11287738	Assembly of right pillar	1	
4	11315121	Assembly of left pillar	1	
5	24000637	Washer	4	
6	24000512	Washer	8	
7	A210111000024	Bolt	4	
8	60060546	Washer	4	
9	A210111000197	Bolt	4	



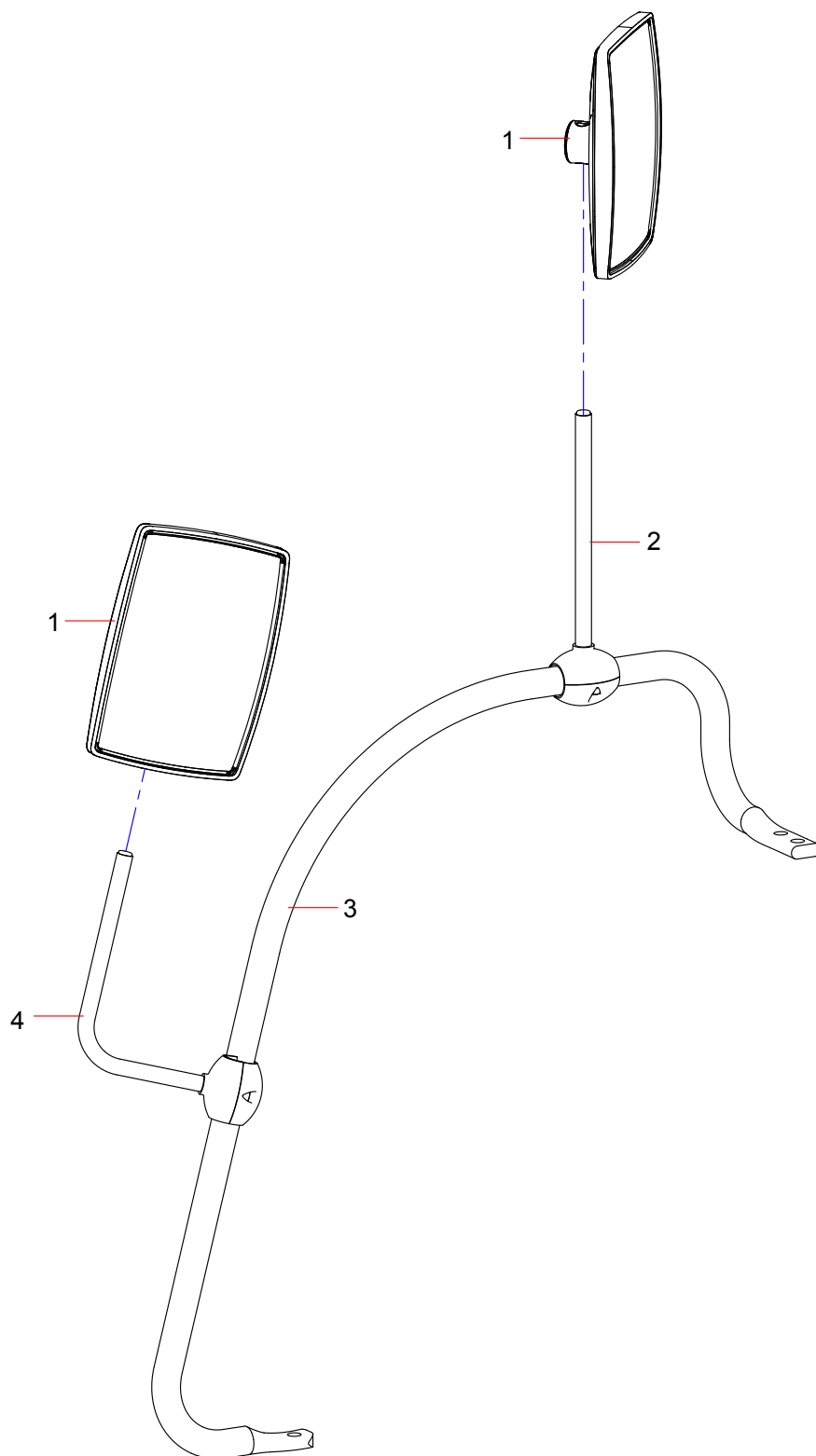
No.	Part No.	Description	Qty	Page number
1	10742969	Right Door Assy.	1	
2	11117678	right door steel lathing combination	1	
3	11116644	sealing strip	1	
4	A210401000013	Washer	22	
5	A210405000004	Washer	22	
6	A210307000014	Nut	22	



No.	Part No.	Description	Qty	Page number
1	10536806	Hinge	2	
2	A210405000011	Washer	5	
3	24000512	Washer	5	
4	A210111000195	Bolt	5	
5	12259580	Assembly of rear hood	1	
6	24000632	Washer	4	
7	A210111000079	Bolt	4	
8	A222200000103	Bonnet Lock	1	
9	11116621	sealing strip	1	

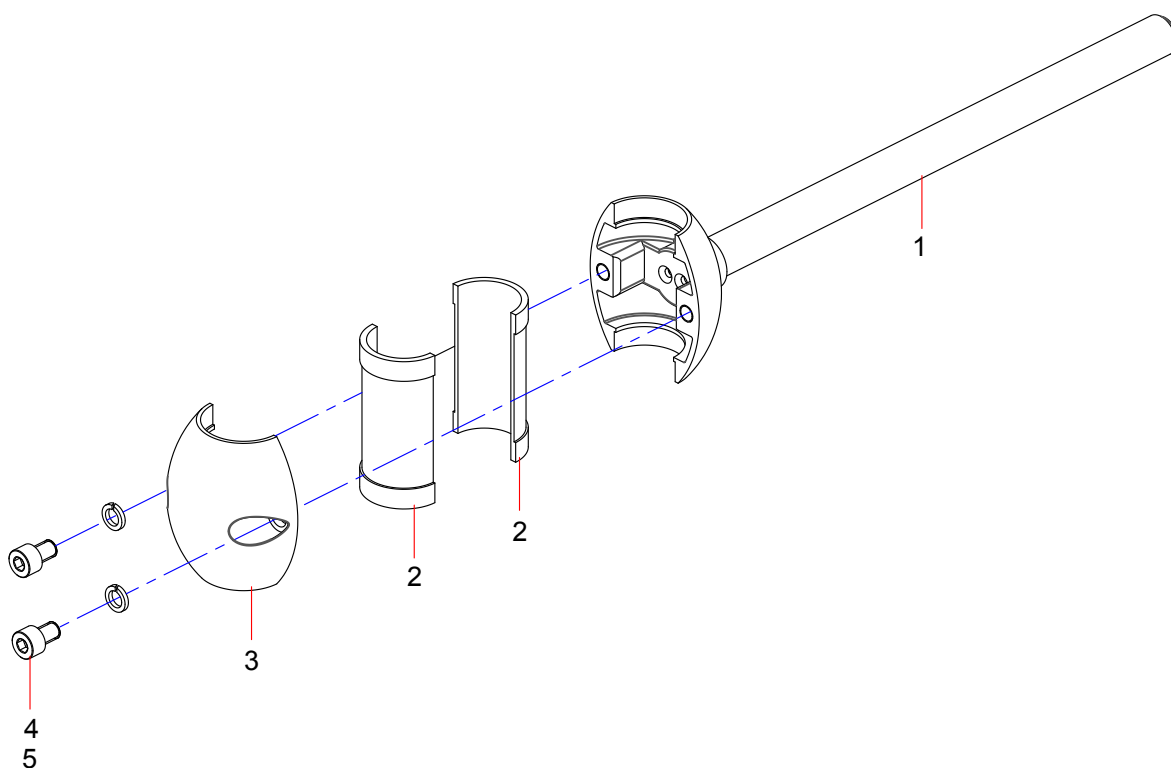


No.	Part No.	Description	Qty	Page number
1	11145854	Left Door Assy.	1	
2	11117710	left door steel lathing	1	
3	11116611	sealing strip	1	
4	A210405000004	Washer	19	
5	A210401000013	Washer	19	
6	A210307000014	Nut	19	

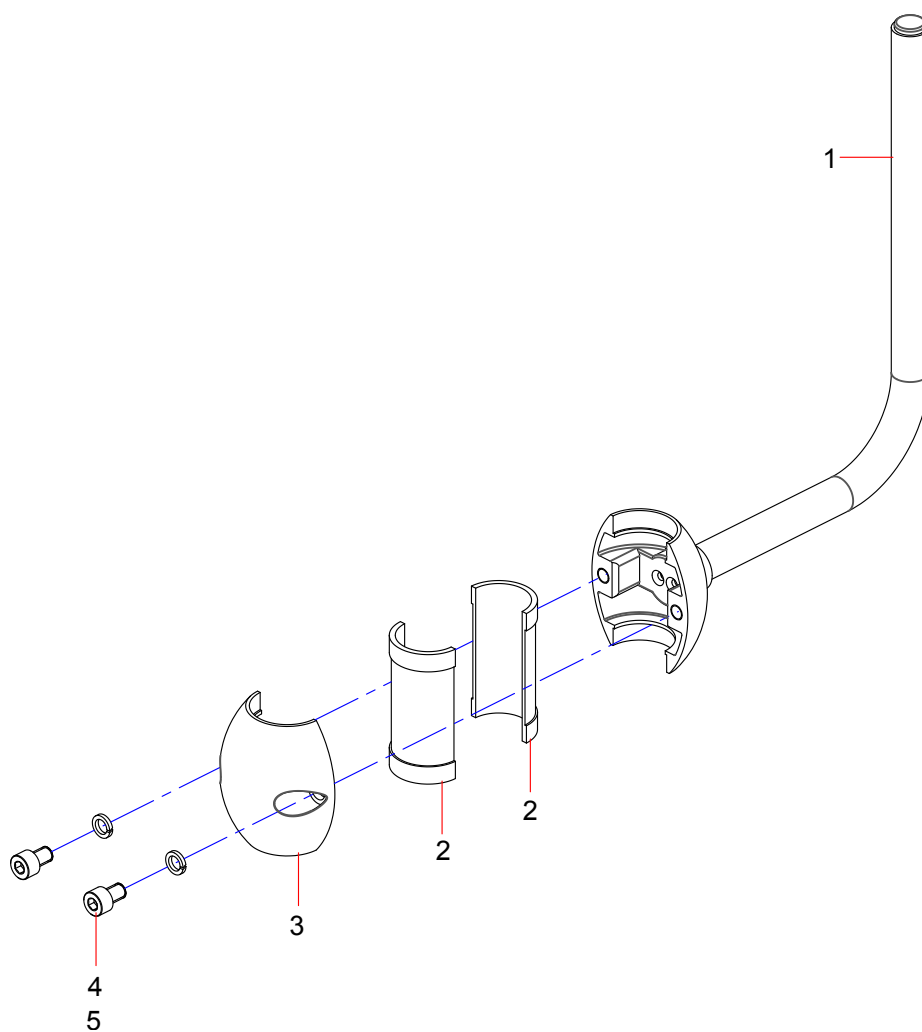




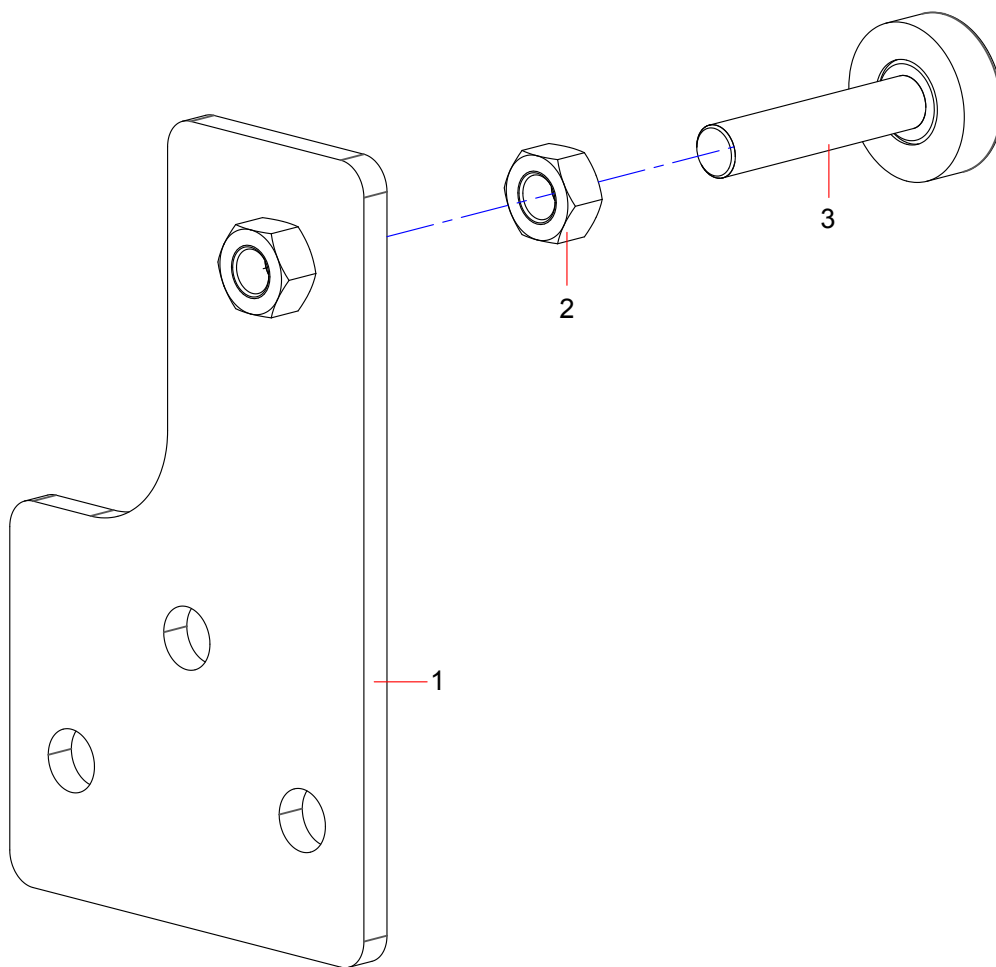
No.	Part No.	Description	Qty	Page number
1	60228208	rearview mirror	2	
2	13514937	rear-view mirror fixed element	1	2-156
3	13514935	rear-view mirror installation frame	1	
4	13498075	right lower bearer-rear view mirror	1	2-158



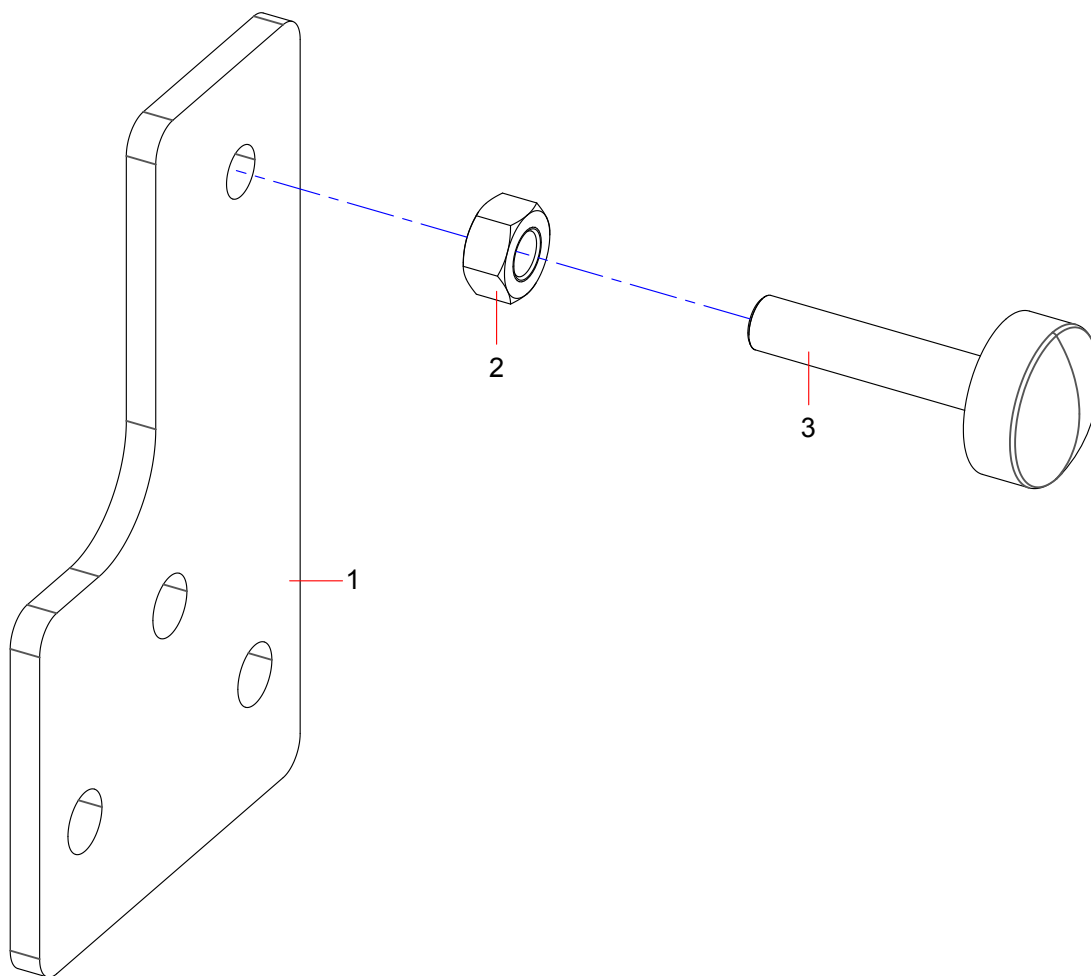
No.	Part No.	Description	Qty	Page number
1	13514938	rear-view mirror upper fixed element	1	
2	12046503	sleeve-34	2	
3	12046504	support cover-rear view mirror	1	
4	24000511	Washer	2	
5	A210204000339	Screw	2	



No.	Part No.	Description	Qty	Page number
1	13498076	right lower welding	1	
2	12046503	sleeve-34	2	
3	12046504	support cover-rear view mirror	1	
4	24000511	Washer	2	
5	A210204000339	Screw	2	

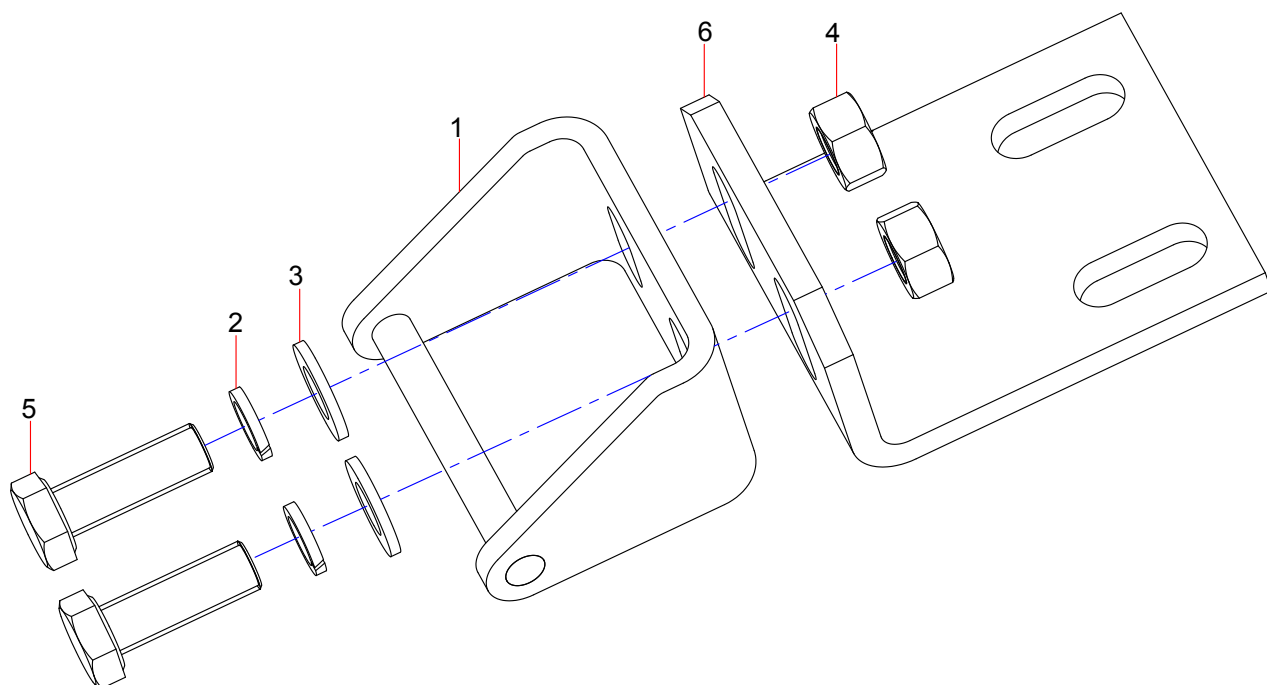


No.	Part No.	Description	Qty	Page number
1	12857039	Left Block Support Abutment component	1	
2	A210307000017	Nut	1	
3	A810502019056	Setscrew	1	

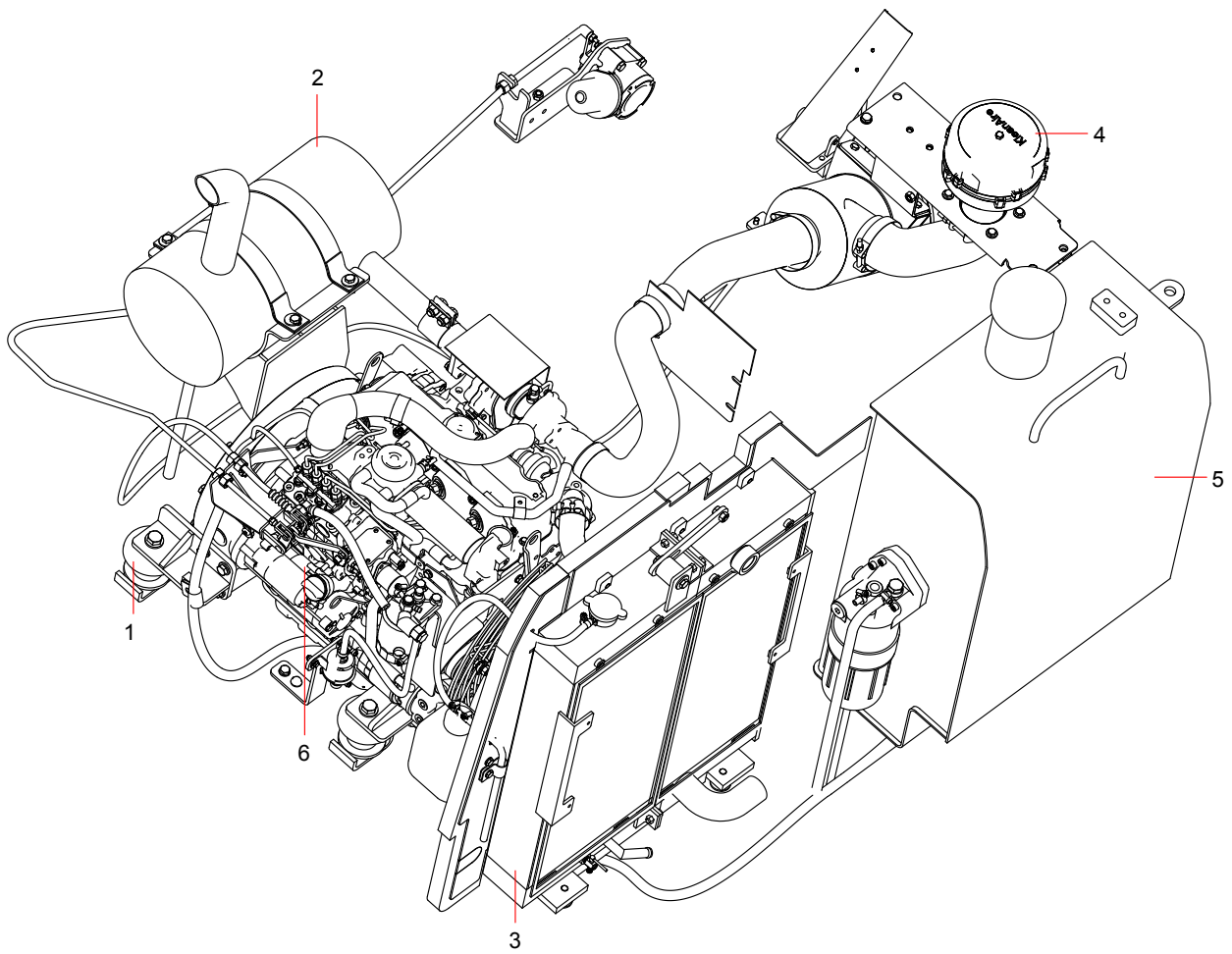




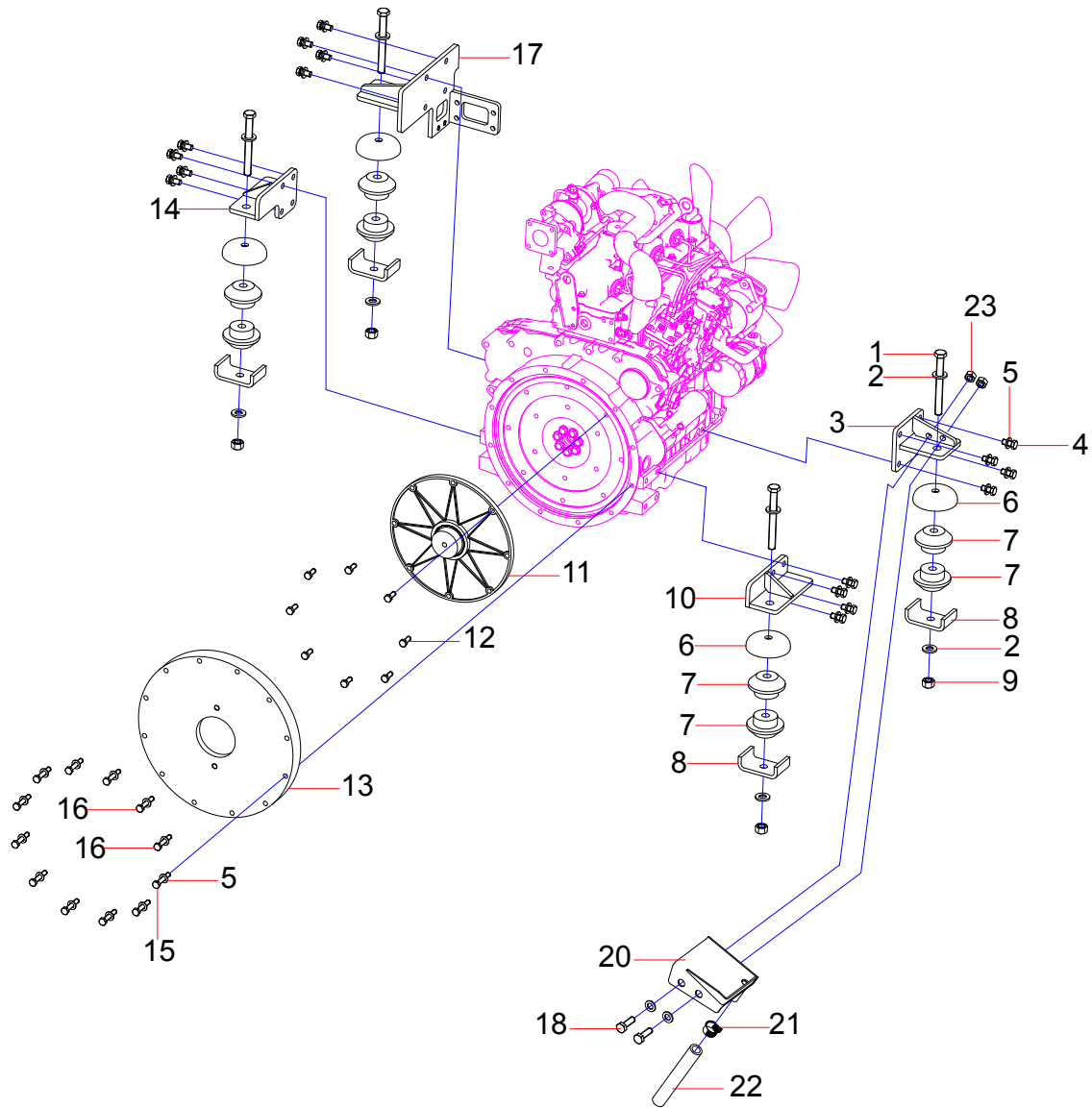
No.	Part No.	Description	Qty	Page number
1	12856254	Block Support Abutment component	1	
2	A210307000017	Nut	1	
3	A810502019056	Setscrew	1	



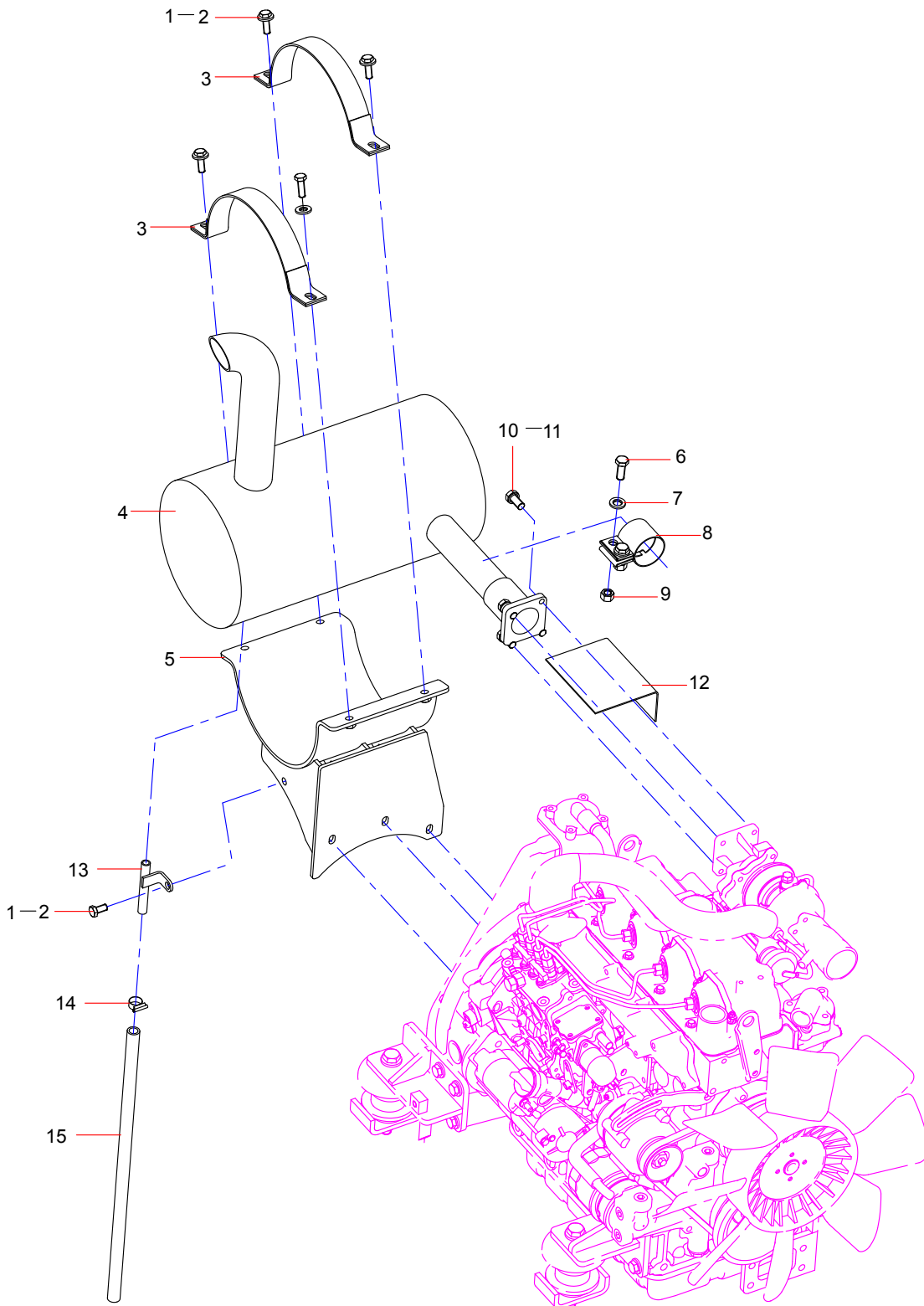
No.	Part No.	Description	Qty	Page number
1	11262199	locker assem	1	
2	24000512	Washer	2	
3	24000637	Washer	2	
4	A210307000036	Nut	2	
5	A210111000024	Bolt	2	
6	11462707	plate	1	



No.	Part No.	Description	Qty	Page number
1	13426438	transmission & shock mitigation system	1	2-168
2	13517475	Exhaust system	1	2-170
3	12888810	cooling system	1	2-172
4	13426445	inlet system	1	2-176
5	13426449	fuel system	1	2-178
6	60337533	Engine	1	2-182

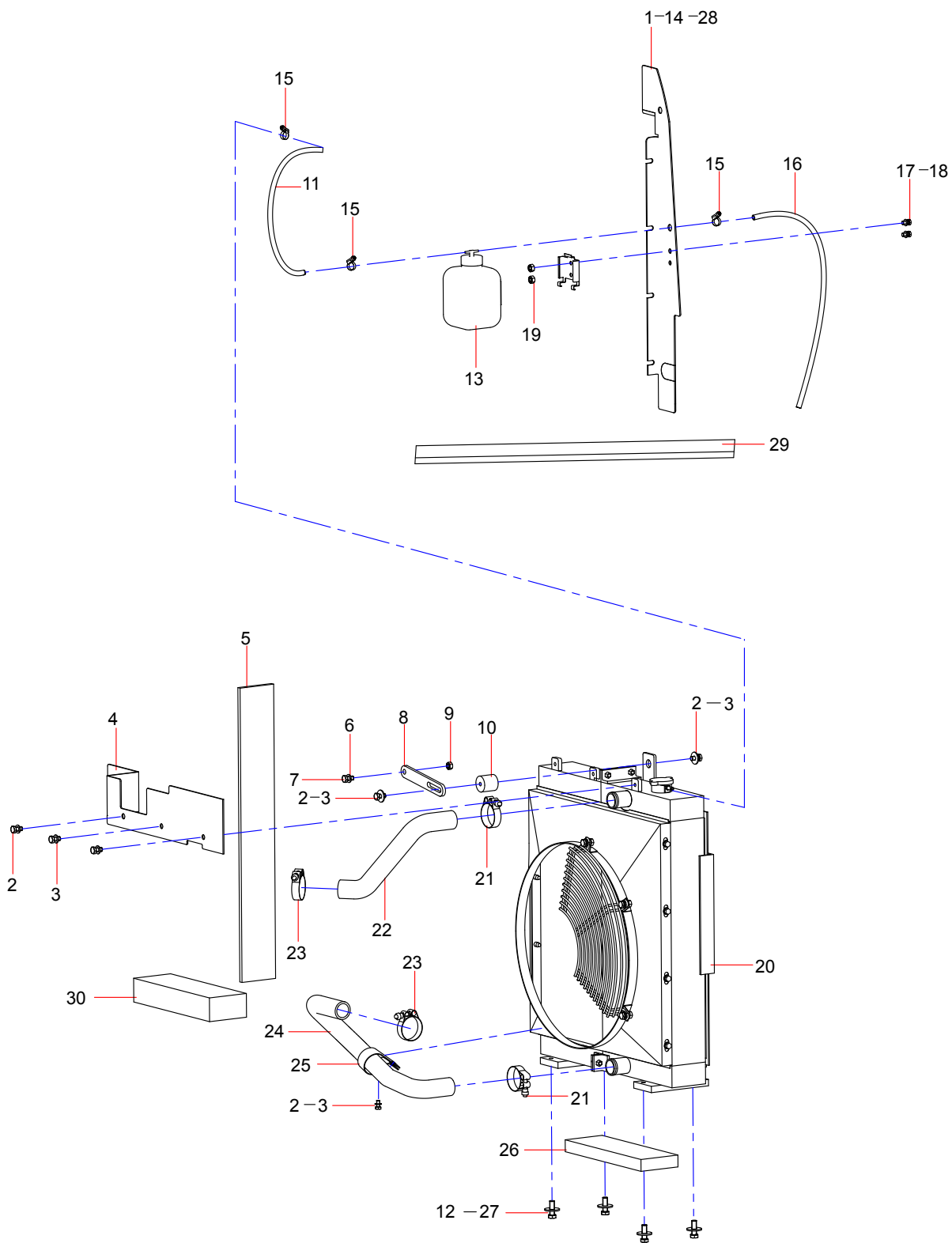


No.	Part No.	Description	Qty	Page number
1	A210111000210	Bolt	4	
2	A210491000118	Washer	8	
3	12265870	right front support leg	1	
4	A210114000124	Bolt M12×1.25×25GB5786 Grade 10.9	16	
5	A210491000120	Washer	28	
6	12727958	mat	4	
7	60212661	Damping pad	8	
8	12810653	damper lower backup plate	4	
9	A210307000028	Nut	4	
10	12272035	right rear support leg	1	
11	60292925	Coupling	1	
12	60122059	Bolt	8	
13	13398073	Connecting disc of flywheel shell	1	
14	12271937	left rear support leg	1	
15	A210113000266	Bolt	9	
16	60212421	bolt	3	
17	12271853	left front support leg	1	
18	A210111000323	Bolt	2	
20	14535302	Gather Oil Pan	1	
21	21053360	Hose ring hoop	1	
22	14538000	Outlet-Oil Pipe	1	
23	A210307000055	Nut	2	

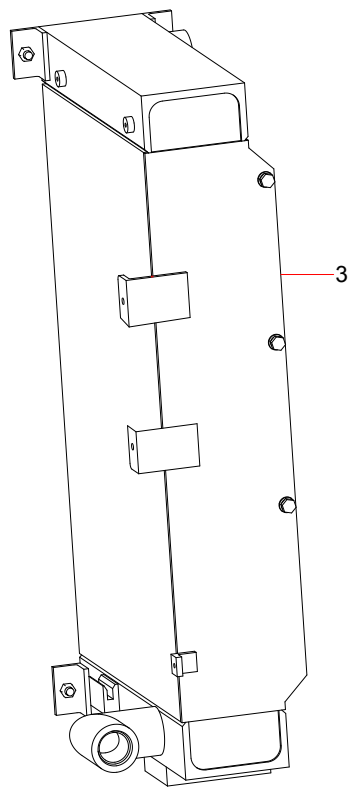
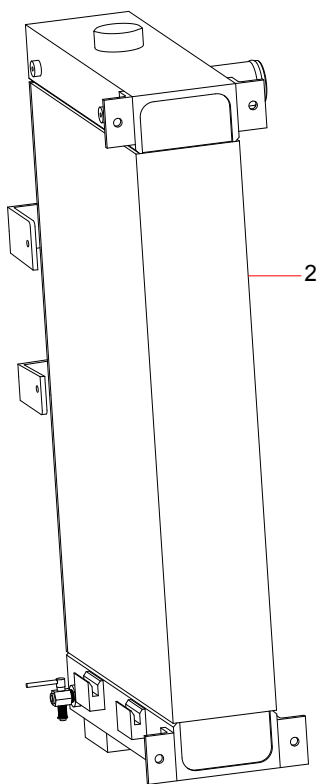




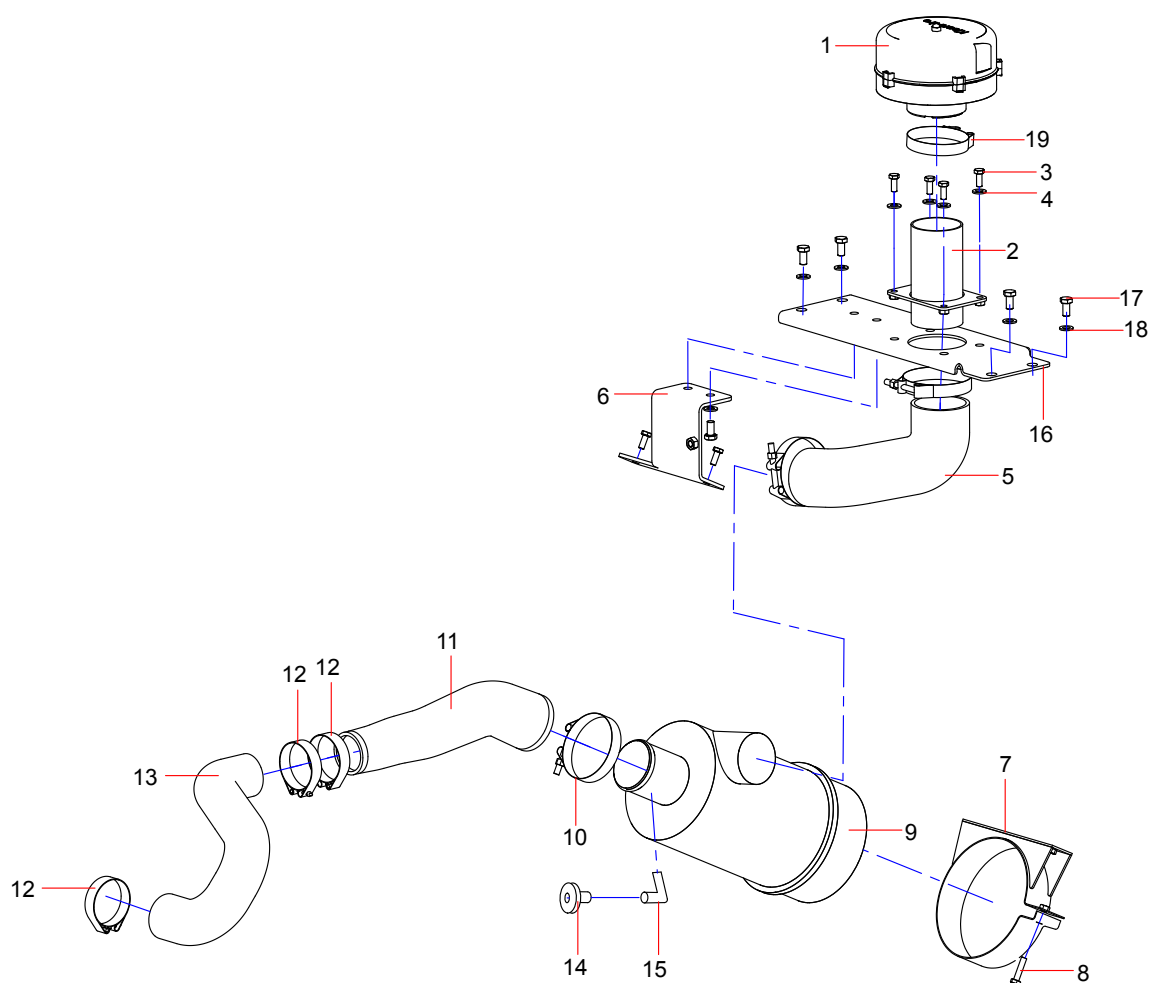
No.	Part No.	Description	Qty	Page number
1	A210111000197	Bolt	5	
2	60060546	Washer	5	
3	10685355	tube of muffler	2	
4	60172021	Muffler	1	
5	13518605	muffler support assembly	1	
6	A210111000202	Bolt	2	
7	A210491000121	Washer	2	
8	12832556	Anchor Ear	1	
9	A210307000031	Nut	2	
10	A210111000323	Bolt	4	
11	24000633	Washer	4	
12	12825670	turbocharger protective cover	1	
13	13519000	Pipe bracket	1	
14	A229900001347	Clamp, Hose	1	
15	12799646	Muffler Water Plastic Tube	1	



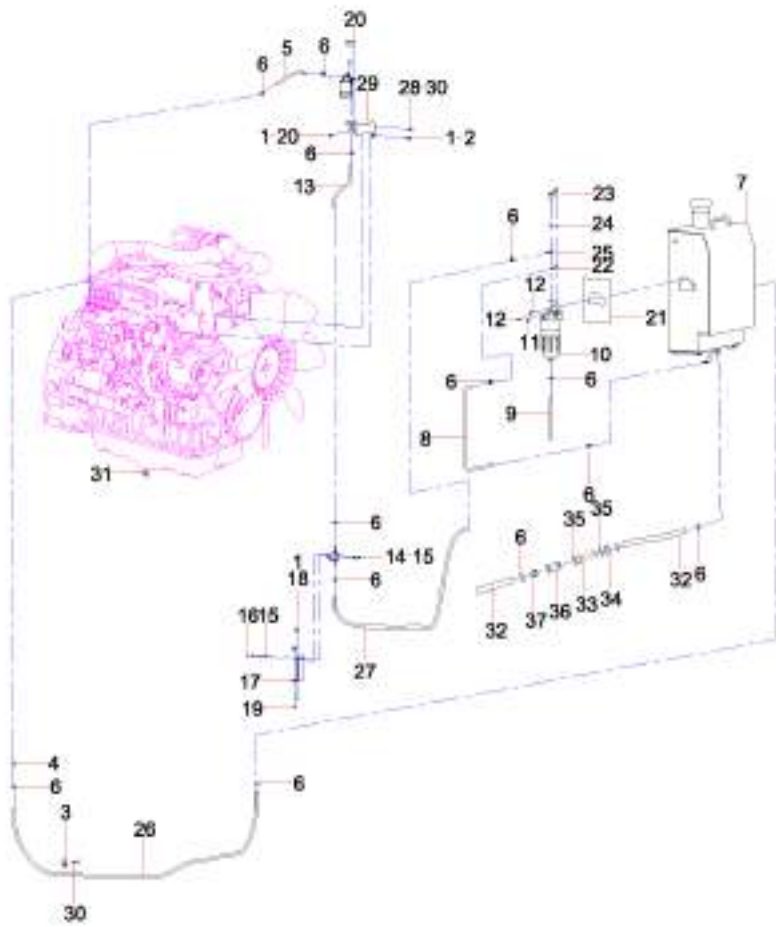
No.	Part No.	Description	Qty	Page number
1	14006983	sponge	1	
2	A210111000012	Bolt	6	
3	A210491000120	Washer	6	
4	12256941	upper Wind insulation board	1	
5	14006981	sponge	1	
6	60060546	Washer	1	
7	A210111000024	Bolt	1	
8	11144760	Coupling Bar	1	
9	A210307000036	Nut	1	
10	A230102000054	Elastic pad of radiator SY60.1.3.3-11	1	
11	11722805	hose	1	
12	A210111000203	Bolt	4	
13	A229900004825	Liquid Reserve Tank	1	
14	12256907	Rear wind insulation board	1	
15	A229900001345	Clamp	3	
16	11722781	hose	1	
17	24000633	Washer	2	
18	A210111000342	Bolt	2	
19	A210307000055	Nut	1	
20	60173255	Radiator	1	2-174
21	60240503	Clamp	2	
22	12254918	Water tank upper Water pipe	1	
23	60240502	Hose clamp	2	
24	12256105	water tank down water pipe	1	
25	60345330	The fixity of line	1	
26	14006974	Sponge	1	
27	60060548	Washer	4	
28	14006982	sponge	1	
29	10539653	Sealing Strip	1	
30	14006980	sealing sponge	2	



No.	Part No.	Description	Qty	Page number
1	60077849	Cover of watering opening	1	
2	60219284	Water radiator	1	
3	60219285	Hydraulic oil radiator	1	

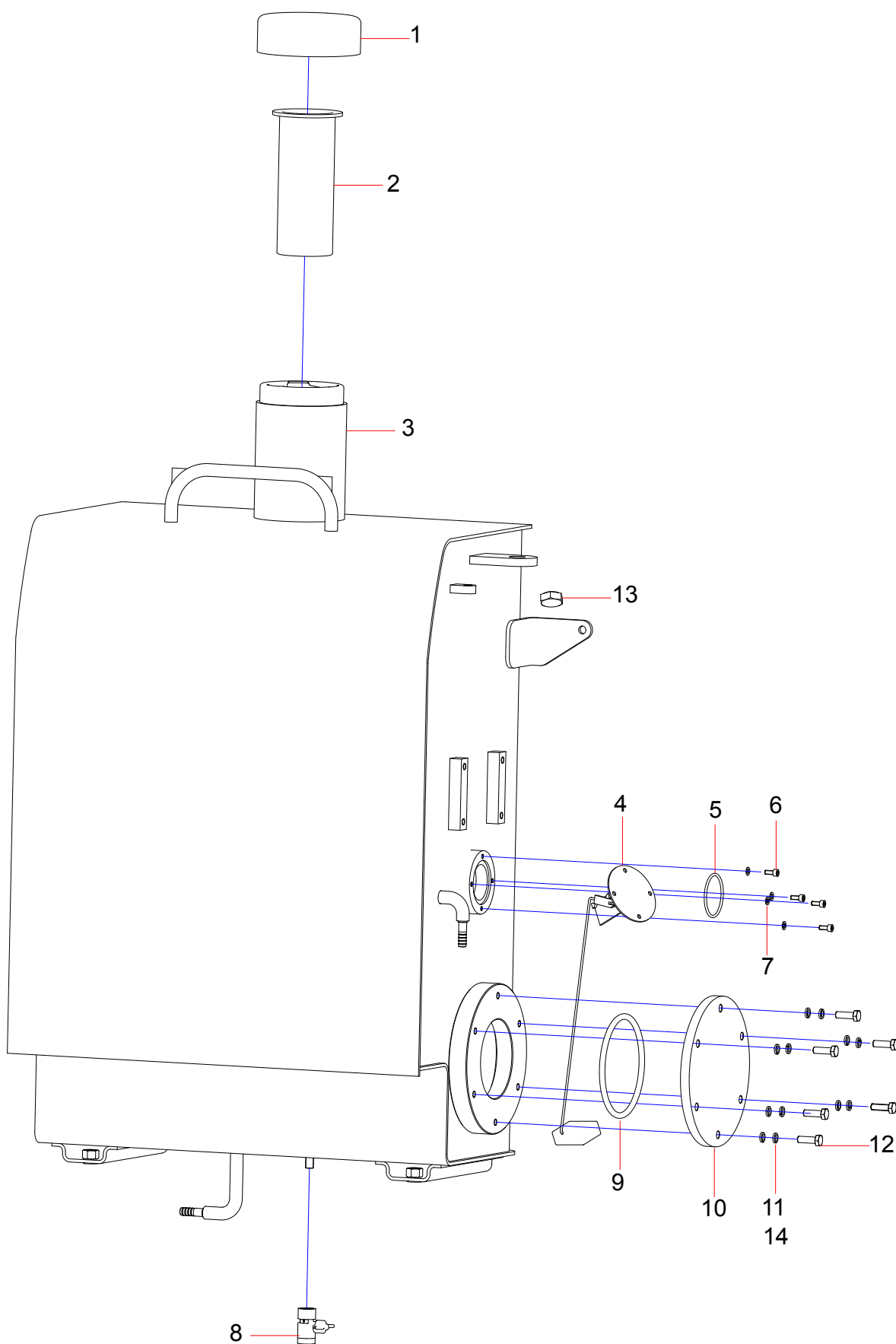


No.	Part No.	Description	Qty	Page number
1	60269356	pre-separation	1	
2	10386841	Steel Tube Flange of Air Pre-Filter	1	
3	A210111000343	Bolt	6	
4	24000633	Washer	7	
5	13073423	air intake rubber hose	1	
6	13073275	air filtering bracke	1	
7	10083933	Clip, air cleaner	1	
8	A210111000092	Bolt	1	
9	60218893	Air cleaner	1	
10	A229900003759	Clamp, T-bolt	3	
11	13073422	air intake rubber hose	1	
12	A229900002031	Clamp	3	
13	13100912	air intake tube	1	
14	60148482	Air cleaner sensor	1	
15	B229900003909	Sensor adaptor of air cleaner	1	
16	13196707	mounting plate for air cleaner	1	
17	A210111000012	Bolt	4	
18	A210491000120	Washer	4	
19	21004569	Clamp, T-Type	1	

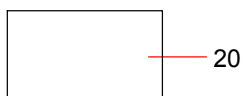
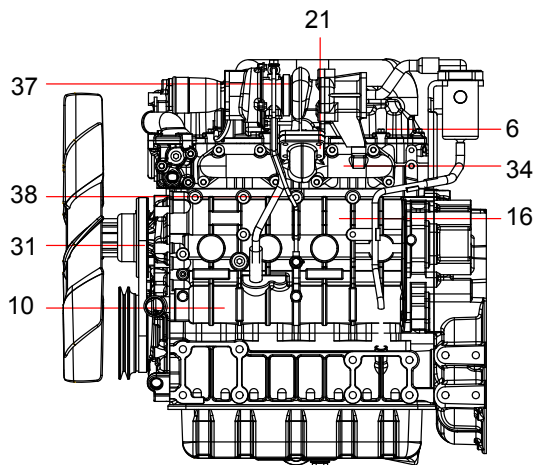
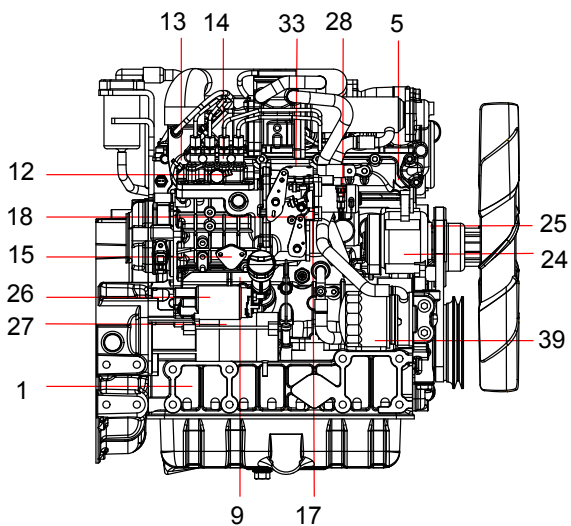
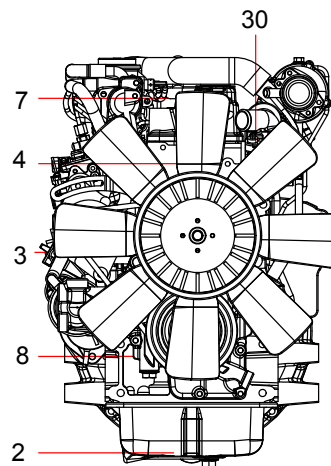
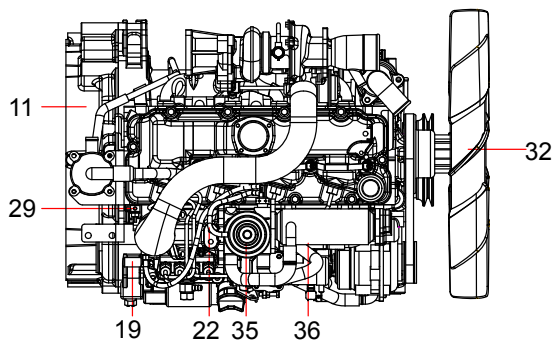




No.	Part No.	Description	Qty	Page number
1	A210491000120	Washer	13	
2	A210204000196	Screw	4	
3	60086354	Clamp	4	
4	12285052	reducer joint 10-5.3	1	
5	12872543	Fuel Pipe	1	
6	21053360	Hose ring hoop	14	
7	13515765	Fuel Tank Assy	1	2-180
8	11312927	Prefilter Sucker	1	
9	10949800	Drainage tube	1	
10	60212877	Diesel oil coarse filter assembly	1	
11	60225886	Bolt	1	
12	A210204000347	Screw	2	
13	12852532	fuel pipe	1	
14	24000632	Washer	5	
15	A210204000131	Screw	2	
16	23000169	Nut	4	
17	12825691	fuel pump bracket	1	
18	21086590	Bolt M10×1.25×30 (GB5786) Grade 10.9	7	
19	A210307000016	Nut	4	
20	A210204000220	Screw	8	
21	11144769	Sponge	1	
22	12252608	Fuel Pipe Joint M16-D10	1	
23	A210199000016	Bolt	2	
24	A210434000008	Washer	4	
25	11343734	Fuel Pipe Joint M16-D8	1	
26	12074671	prefilter sucker	1	
27	12872544	fuel pipe	1	
28	A210111000293	Bolt	1	
29	12827270	diesel fine filter bracket	1	
30	24000633	Washer	5	
31	60348361	Discharge oil	1	
32	13515834	drainage tube	2	
33	11251714	Adapter	1	
34	A210307000028	Nut	1	
35	A210491000118	Washer	2	
36	60046622	Switch, fuel	1	
37	11331654	Adapter	1	



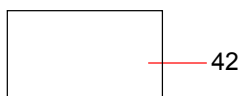
No.	Part No.	Description	Qty	Page number
1	A290000002193	Cover, Lock, Fuel Tank	1	
2	B222100000201	Fuel Filter (Excavator)	1	
3	13515767	Fuel Tank	1	
4	B230101000457	O-ring	1	
5	A210204000129	Screw	4	
6	A210405000006	Washer	4	
7	A210609000352	O-ring	1	
8	11930030	flange	1	
9	A210111000090	Bolt	6	
10	10210082	Screw plug	1	
11	A210401000017	Washer	6	
12	A210405000007	Washer	6	



20



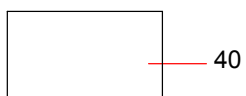
23



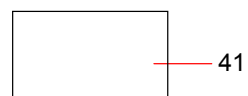
42



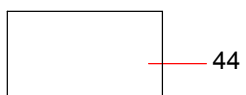
43



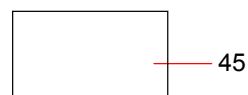
40



41

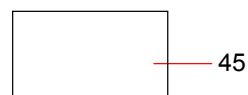
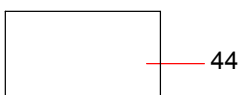
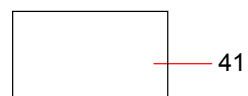
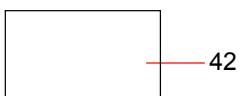
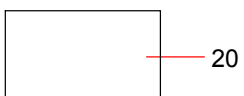
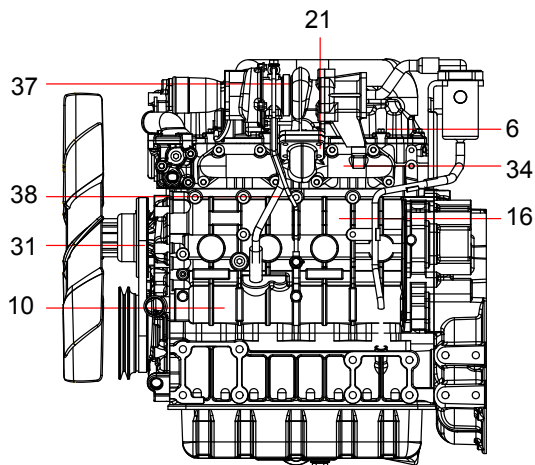
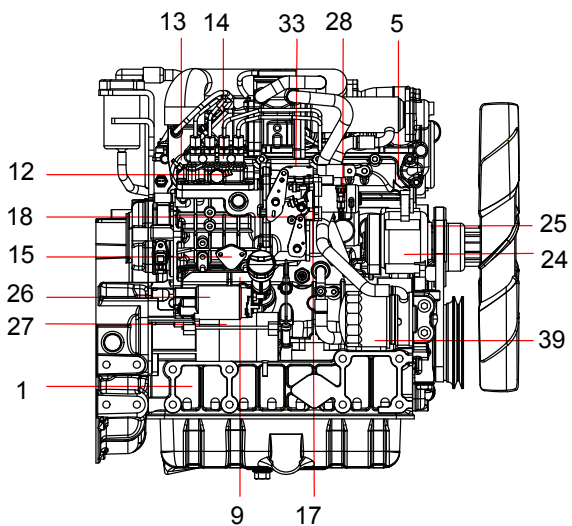
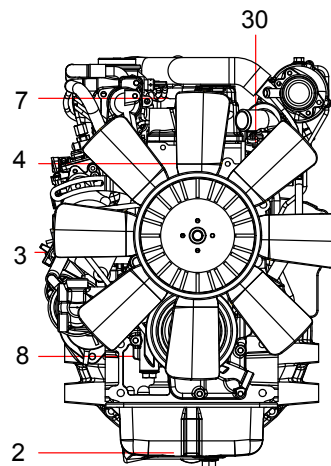
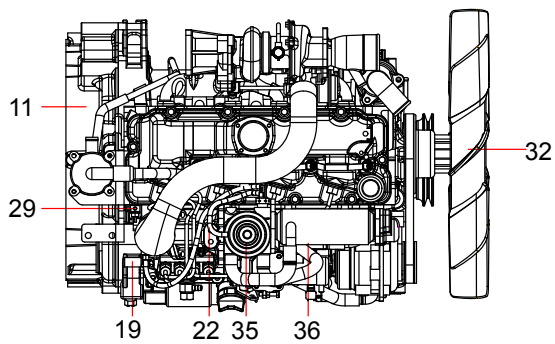


44

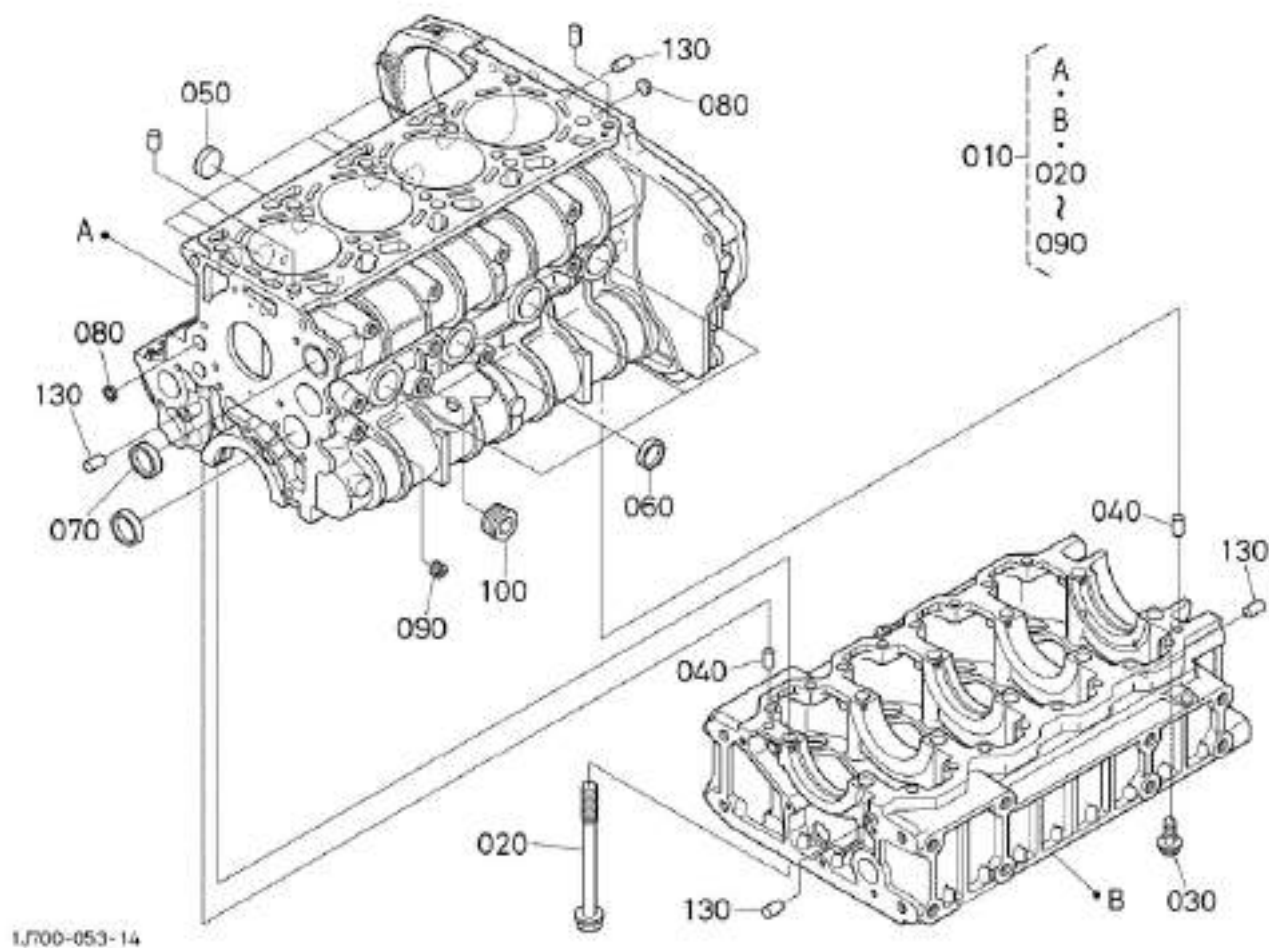


45

No.	Part No.	Description	Qty	Page number
1	61008550	Assy crankcase	1	2-186
2	61008551	Oil pan	1	2-188
3	61008552	Dipstick and guide	1	2-190
4	61008553	Cylinder head	1	2-192
5	61008556	Inlet valve and exhaust valve	1	2-194
6	61008560	Rocker arm shaft	1	2-196
7	61008561	Head cover	1	2-198
8	61008563	Front cover	1	2-200
9	61008564	Piston and crankshaft	1	2-202
10	61008576	Camshaft and idle gear shaft	1	2-204
11	61008577	Flywheel	1	2-206
12	61008581	Injection pump unit	1	2-208
13	61008822	Injection pump housing	1	2-210
14	61008823	Injection pump	1	2-212
15	61008825	Fuel pump cover	1	2-214
16	61008826	Fuel camshaft	1	2-216
17	61008827	Governor	1	2-218
18	61008828	Fork lever (governor)	1	2-220
19	61008831	Restriction adjusting bolt	1	2-222
20	61008838	Fuel filter	1	2-224
21	61008839	Nozzle holder	1	2-226
22	61008841	Injection pipe	1	2-228
23	61008842	Fuel pump (electrical)	1	2-230
24	61008843	Alternator	1	2-232
25	61008844	Alternator (component parts)	1	2-234
26	61008846	Starter	1	2-236
27	61008847	Starter (component parts)	1	2-238
28	61008848	Stop solenoid	1	2-240
29	61008850	Oil switch	1	2-242
30	61008851	Water flange	1	2-244
31	61008854	Water pump	1	2-246
32	61008855	Fan	1	2-248
33	61008856	Inlet manifold	1	2-250
34	61008857	Exhaust manifold	1	2-252
35	61008859	Egr, valve	1	2-254
36	61008861	Egr, radiator	1	2-256
37	61008862	Turbo charger	1	2-258
38	61008864	Oil pipe (turbo charger)	1	2-260
39	61008865	Oil cooler	1	2-262
40	61008866	Glow lamp	1	2-264

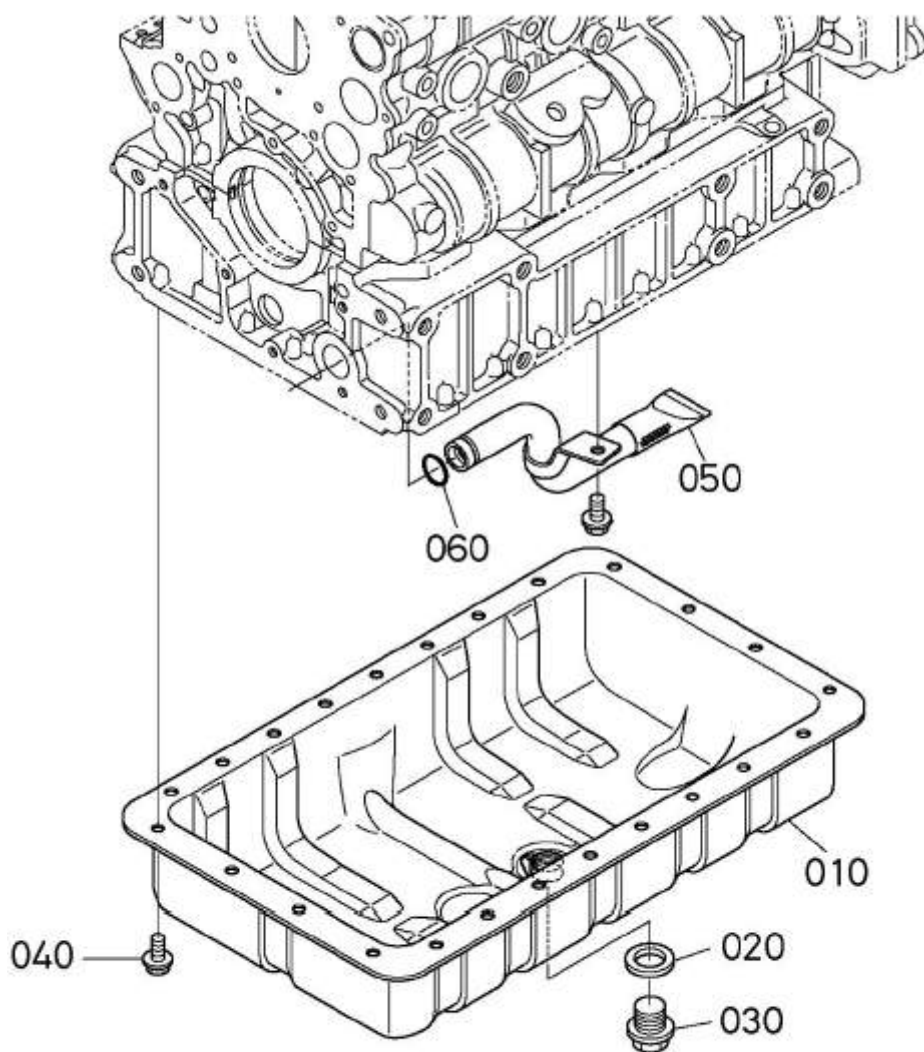


No.	Part No.	Description	Qty	Page number
41	61008867	Ecu	1	2-266
42	61008868	Diesel engine accessories	1	2-268
43	61008869	Operators manual	1	2-270
44	61008870	Upper gasket kit [option]	1	2-272
45	61008871	Lower gasket kit [option]	1	2-274

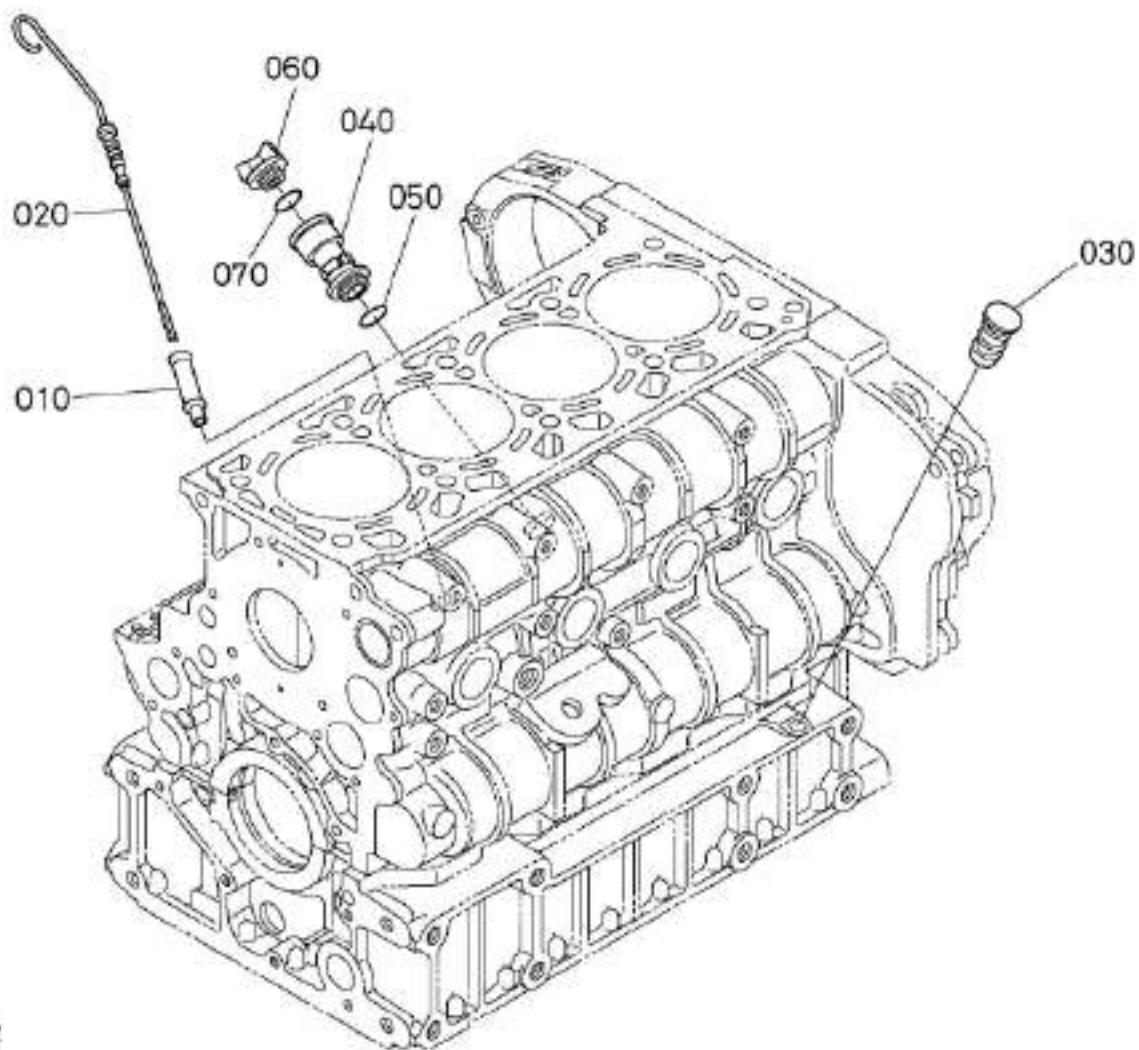




No.	Part No.	Description	Qty	Page number
10	60219445	ASSY CRANKCASE	1	
20	60219446	BOLT,CRANKCASE	10	
30	60219447	BOLT,FLANGE	16	
40	60219448	PIN STRAIGHT	4	
50	60219449	CAP,SEALING	6	
60	60124573	CAP SEALING	4	
70	60124571	CAP SEALING	2	
80	60219450	CAP,SEALING	2	
90	60124321	PLUG	1	
100	60219451	PLUG	1	
130	60219452	PIN STRAIGHT	4	

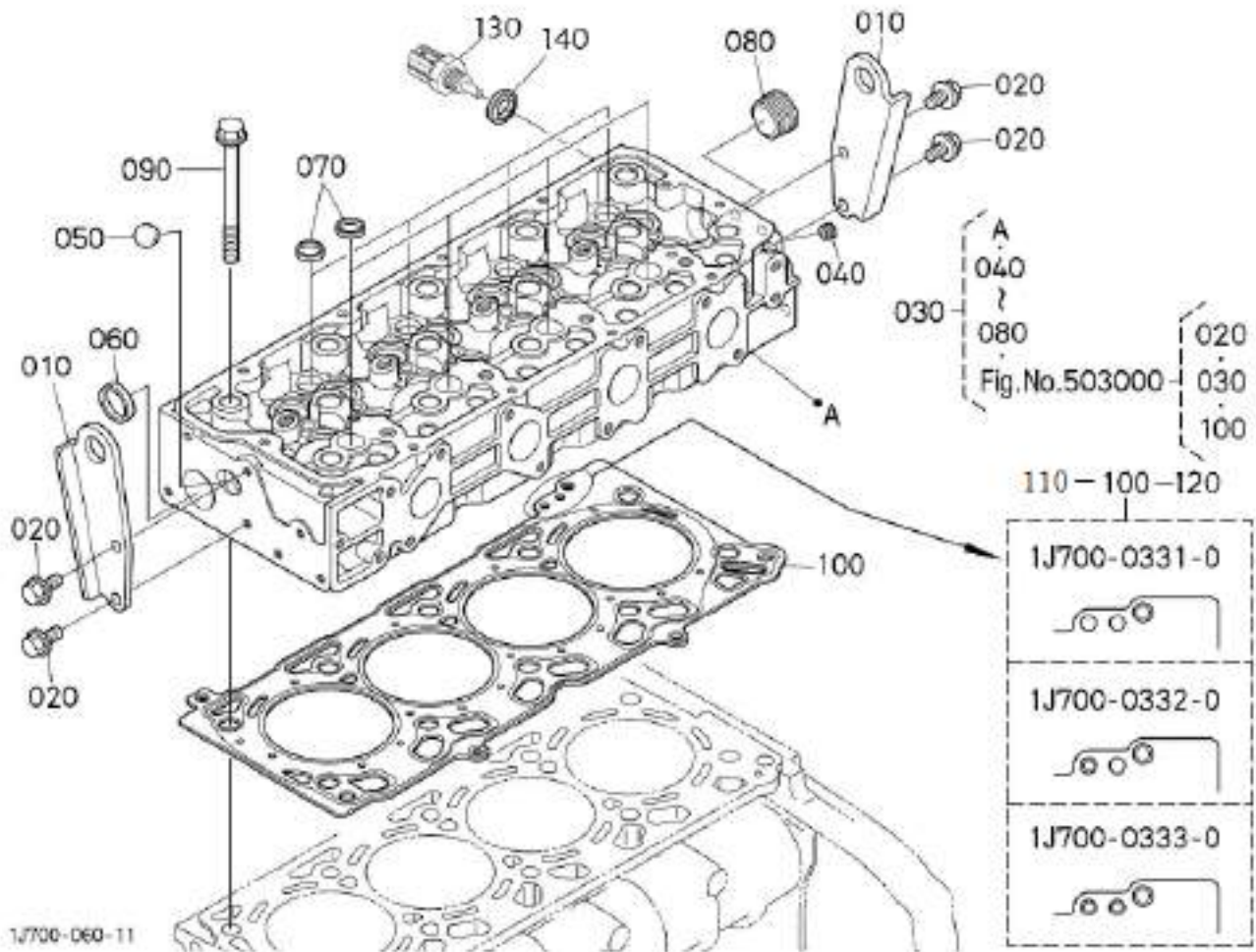


No.	Part No.	Description	Qty	Page number
10	60219453	COMP.OIL PAN	1	
20	60124407	GASKET	1	
30	60124582	PLUG DRAIN	1	
40	60219454	BOLT,FLANGE	25	
50	60219455	FILTER,OIL	1	
60	60219456	O RING	1	

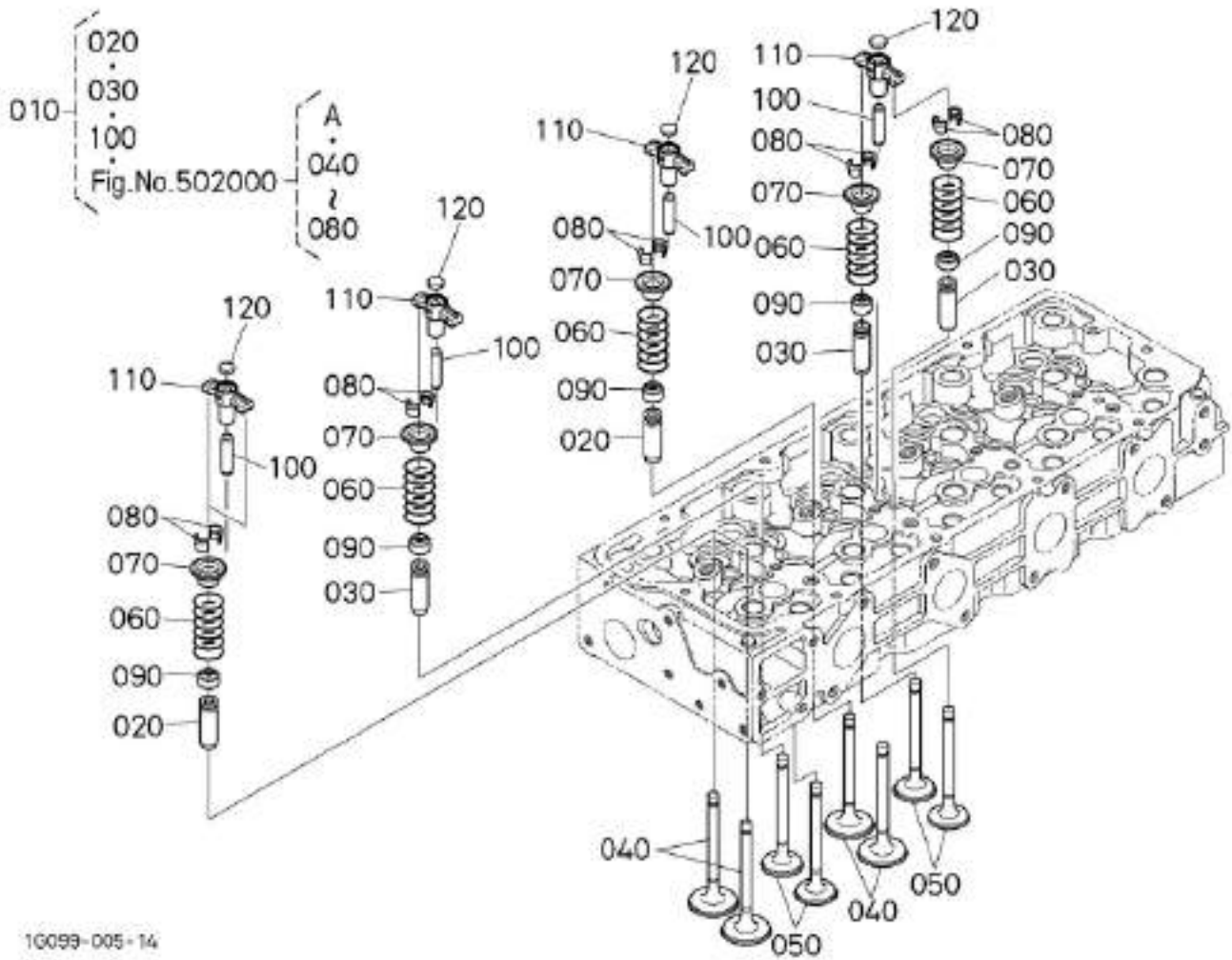


1.712-002-12

No.	Part No.	Description	Qty	Page number
10	60219457	GUIDE,OIL GAUGE	1	
20	60219458	GAUGE,OIL	1	
30	60124506	PLUG OIL GAUGE	1	
40	60219459	FLANGE,OIL FILLER	1	
50	60124688	O RING	1	
60	60124507	PLUG OIL FILLER	1	
70	60219460	O RING	1	

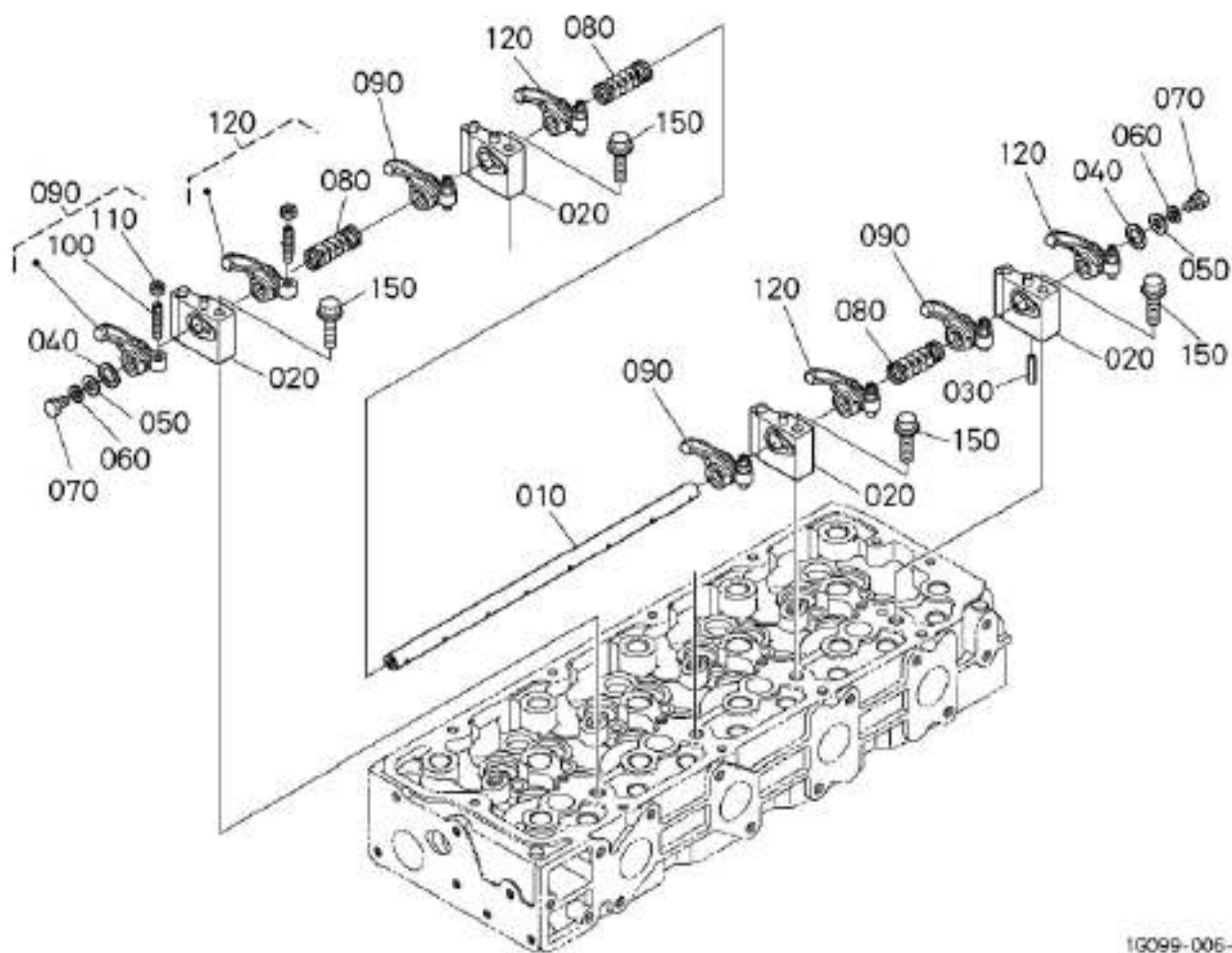


No.	Part No.	Description	Qty	Page number
10	60219461	HOOK,ENGINE	2	
20	60219462	BOLT,FLANGE	4	
30	61008554	Assy cylinder head	1	
40	60124321	PLUG	1	
50	61008555	Ball	1	
60	60124573	CAP SEALING	1	
70	60219464	CAP,SEALING	8	
80	60124328	PLUG	1	
90	60219446	BOLT,CRANKCASE	10	
100	60219465	GASKET,CYLINDER HEAD	1	
110	60219466	GASKET,CYLINDER HEAD	1	
120	60219467	GASKET,CYLINDER HEAD	1	
130	60280778	SENSOR,THERMO	1	
140	60219469	WASHER,SEAL	1	



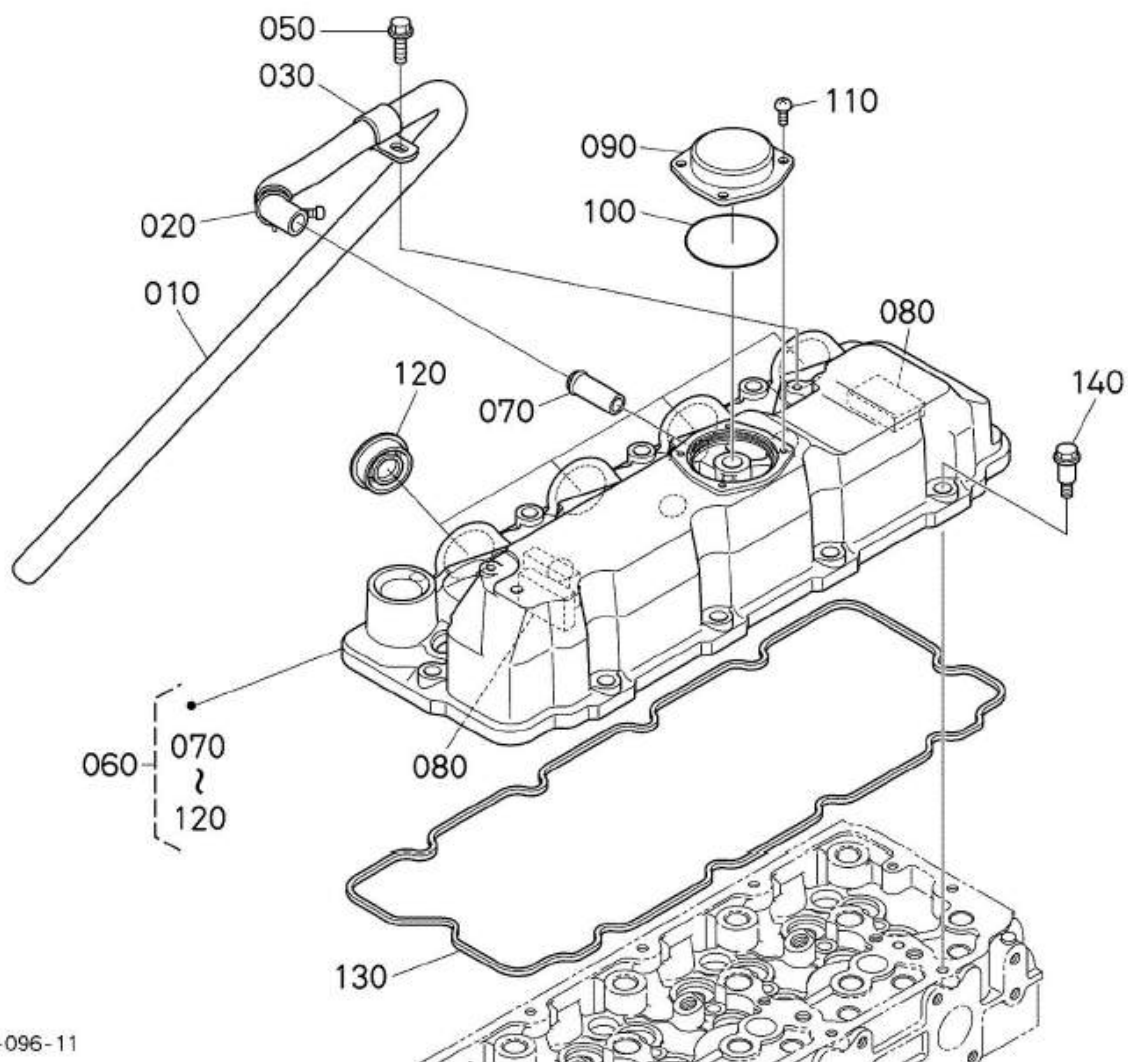


No.	Part No.	Description	Qty	Page number
10	61008554	Assy cylinder head	1	
20	60219470	GUIDE,VALVE,INLET	8	
30	60219471	GUIDE,VALVE,EXHAUST	8	
40	60219472	VALVE,INLET	8	
50	60219473	VALVE,EXHAUST	8	
60	61008557	Spring,valve	16	
70	60219475	RETAINER, VALVE SPRING	16	
80	61008558	Collet, valve spring	16	
90	60219477	SEAL, VALVE STEM	16	
100	60219478	SHAFT,VALVE	8	
110	61008559	Arm,valve brige	8	
120	60219480	PAD	8	



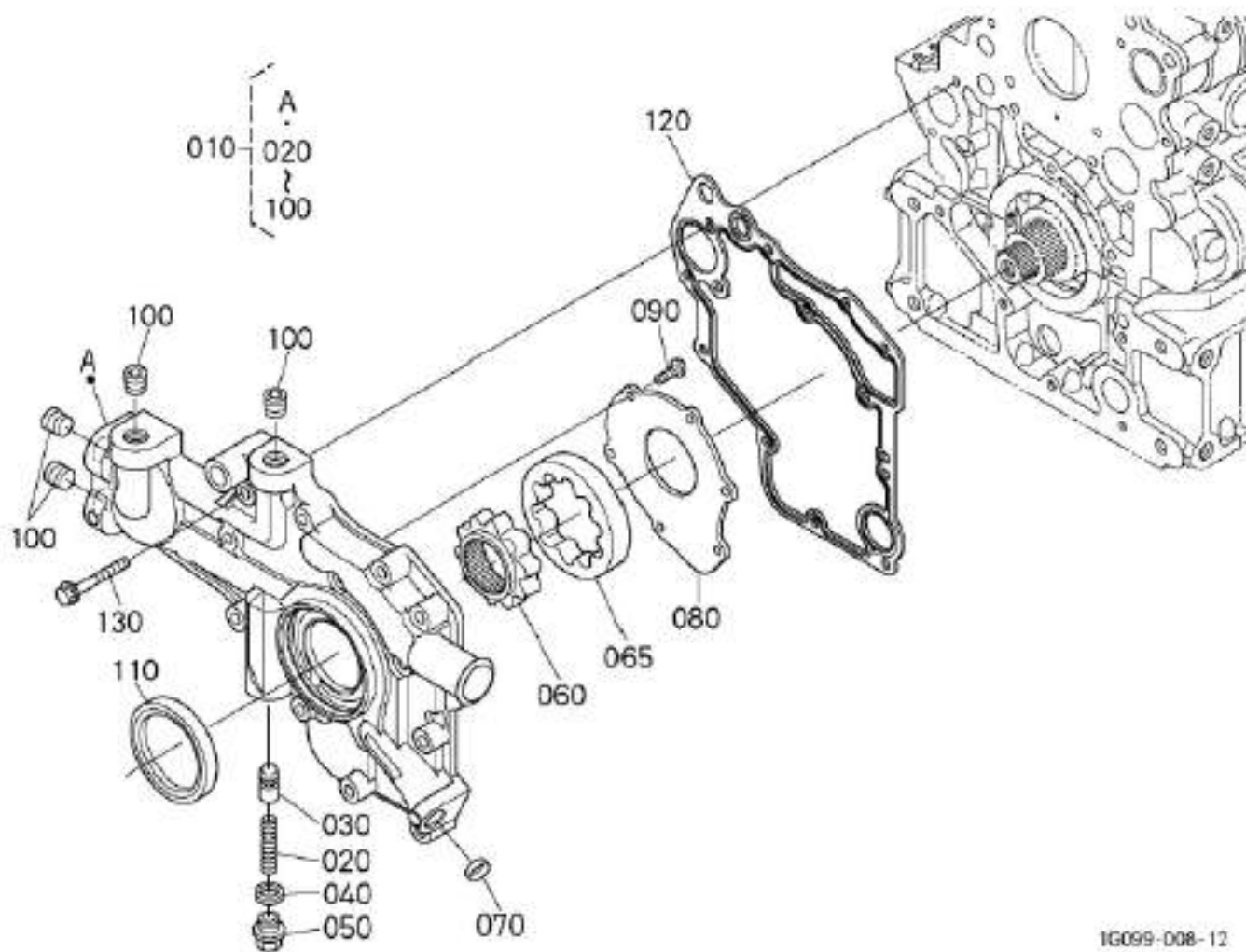
1G099-006-13

No.	Part No.	Description	Qty	Page number
10	60219481	SHAFT,ROCKER ARM	1	
20	60219482	BRACKET,ROCKER ARM	4	
30	60219483	PIN,SPRING	1	
40	60219484	WASHER,R-ARM.SHAFT	2	
50	60219485	WASHER,PLAIN	2	
60	60219486	WASHER,SPRING LOCK	2	
70	60219487	HEX.BOLT	2	
80	60219488	SPRING,ROCKER ARM	3	
90	60219489	ASSY ROCKER ARM,IN.	4	
100	60219490	SCREW,ADJUSTING	8	
110	60219491	NUT	8	
120	60219492	ASSY ROCKER ARM,EXH.	4	
150	60219493	BOLT,FLANGE	4	



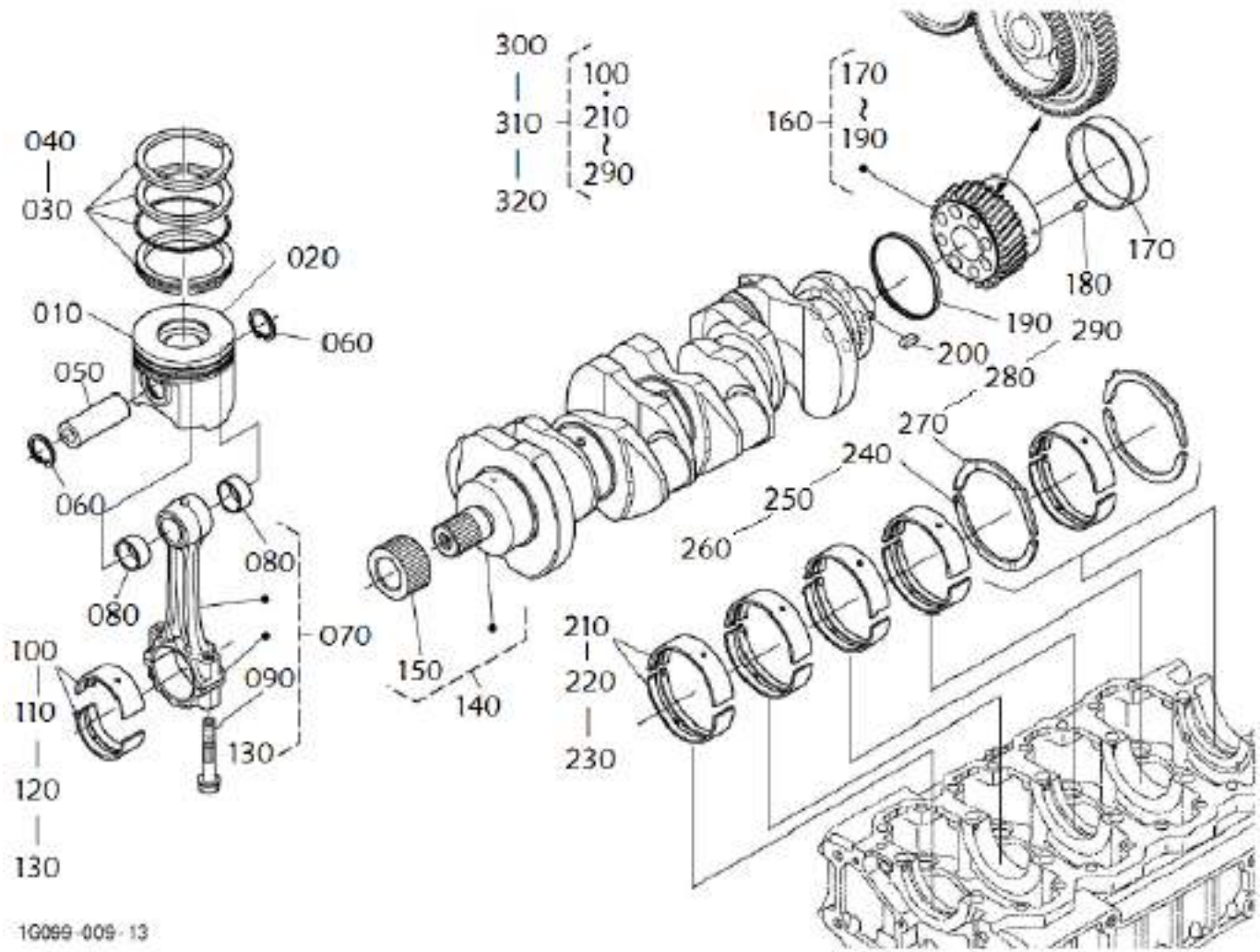
1J700-096-11

No.	Part No.	Description	Qty	Page number
10	60244628	breather pipe	1	
20	60244626	pipe band	1	
30	60219497	CLAMP,BREATHER TUBE	1	
50	60219498	BOLT,FLANGE	1	
60	61008562	Assy cover,cyl.head	1	
70	60124495	PIPE WATER RETURN	1	
80	60219500	ELEMENT,BREATHER	3	
90	60244625	breather cover	1	
100	60244627	O ring	1	
110	60219502	SCREW,PAN HEAD(PHILL	4	
120	60219503	SEAL,INJECTION PIPE	4	
130	60219501	GASKET,HEAD COVER	1	
140	60219504	BOLT	10	



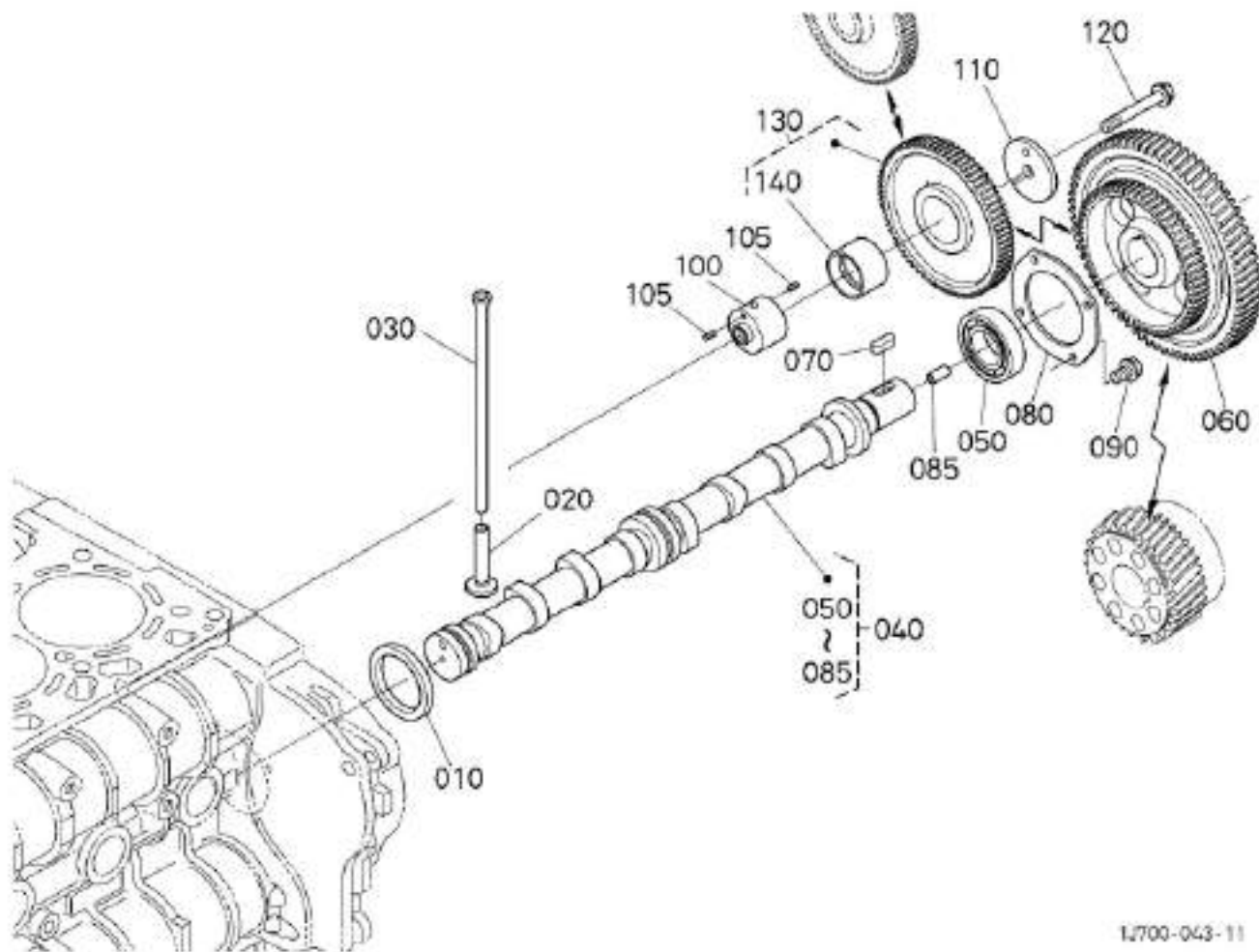
1G099-008-12

No.	Part No.	Description	Qty	Page number
10	60219505	ASSY COVER FRONT	1	
20	60219506	SPRING	1	
30	60219507	VALVE,RELIEF	1	
40	60219508	GASKET	1	
50	60219509	PLUG,DRAIN	1	
60	60219510	ROTOR,INNER	1	
65	60219511	ROTOR,OUTER	1	
70	60219464	CAP,SEALING	1	
80	60219512	COVER,OIL PUMP	1	
90	60219513	SCREW,BINDING PHILLI	6	
100	60219514	PLUG	4	
110	60219515	SEAL,OIL	1	
120	60219516	GASKET,FRONT COVER	1	
130	60219517	BOLT,FLANGE	12	

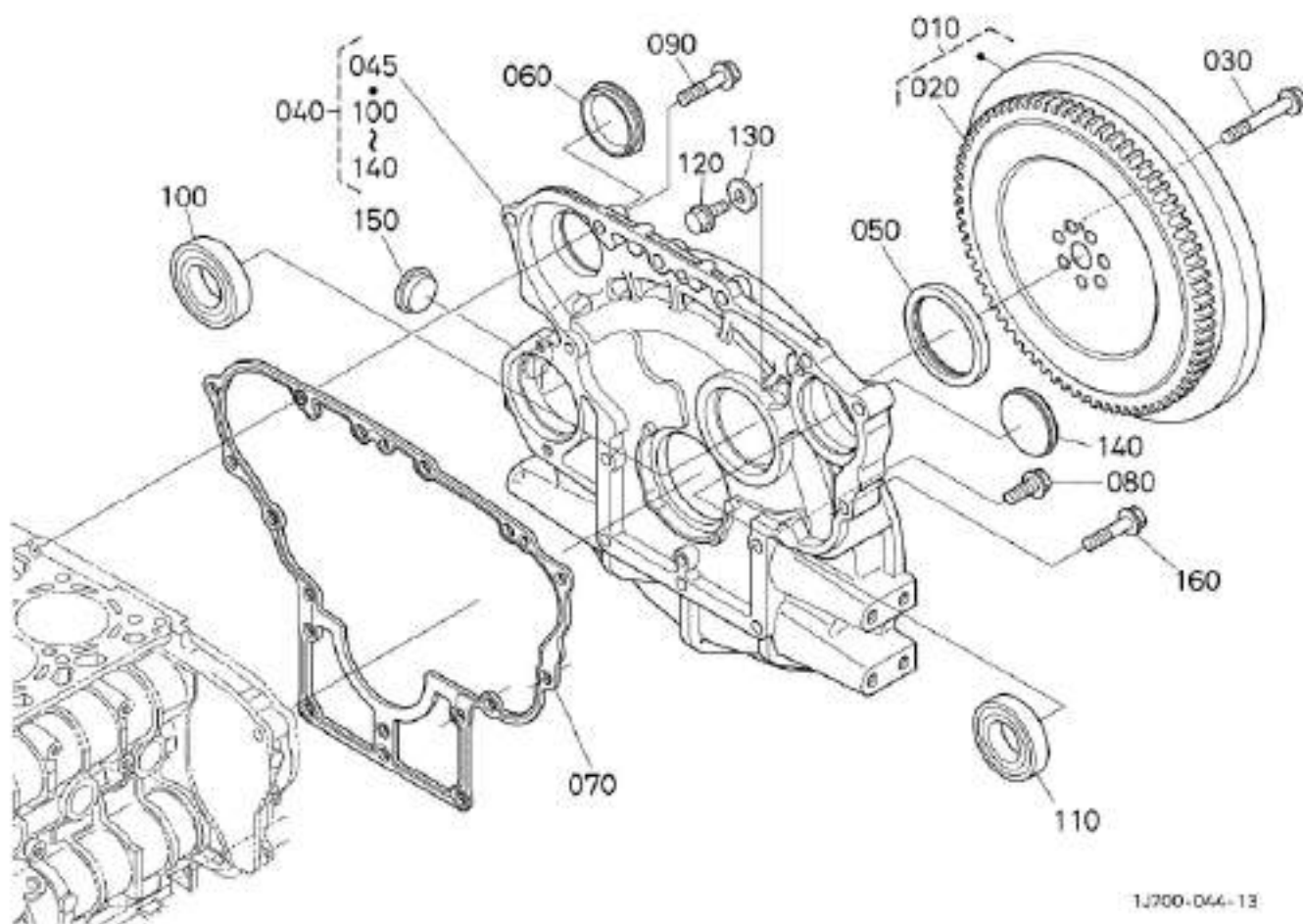




No.	Part No.	Description	Qty	Page number
10	61008565	Piston	4	
20	61008566	Piston	4	
30	60219520	ASSY PISTON RING	4	
40	60219521	ASSY PISTON RING	4	
50	60219522	PIN,PISTON	4	
60	60219523	CIR CLIP	8	
70	60219524	ASSY-ROD,CONNECTING	4	
80	60219525	BUSH,PISTON PIN	8	
90	60219526	BOLT,CONNECTING ROD	8	
100	60219527	METAL,CRANKPIN	4	
110	60219528	METAL,CRANKPIN	4	
120	60219529	METAL,CRANKPIN	4	
130	60219530	METAL,CRANKPIN	4	
140	60219531	COMP.CRANKSHAFT	1	
150	60219532	GEAR,OIL PUMP DRIVE	1	
160	60219533	ASSY-GEAR,CRANKSHAFT	1	
170	60219534	SLEEVE,CRANK GEAR	1	
180	60219535	PIN,STRAIGHT	1	
190	60219536	SEAL,CRANK GEAR	1	
200	60219537	KEY,STRAIGHT	1	
210	60219538	METAL,CRANKSHAFT	5	
220	60219539	METAL,CRANKSHAFT	5	
230	60219540	METAL,CRANKSHAFT	5	
240	61008567	Metal,side	2	
250	61008568	Metal,side	2	
260	61008569	Metal,side	2	
270	61008570	Metal,side	2	
280	61008571	Metal,side	2	
290	61008572	Metal,side	2	
300	61008573	Metal	1	
310	61008574	Metal	1	
320	61008575	Metal	1	

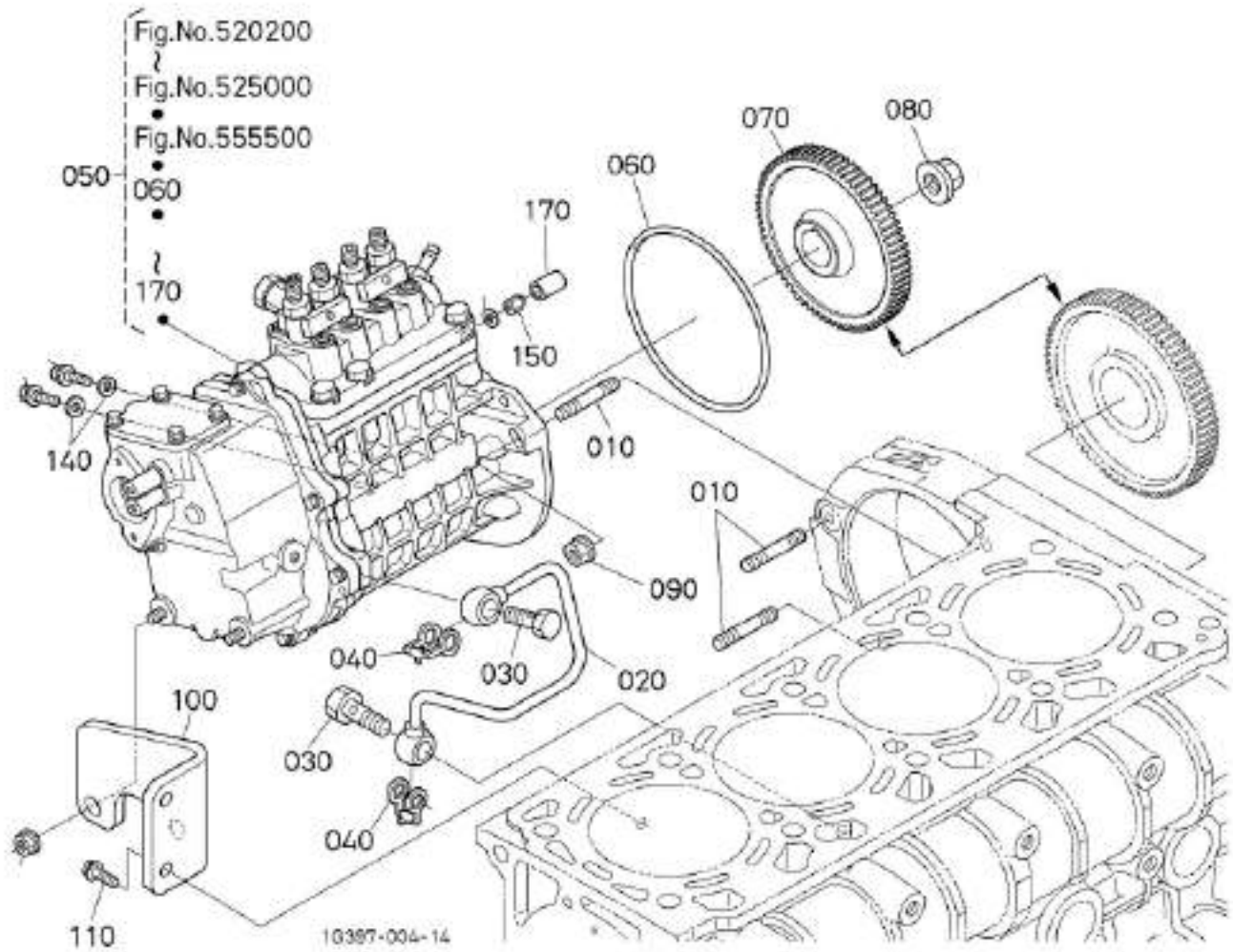


No.	Part No.	Description	Qty	Page number
10	60219549	COVER,CAMSHAFT	1	
20	60219550	TAPPET	8	
30	60219551	PUSH ROD	8	
40	60219552	ASSY CAMSHAFT	1	
50	60219553	BEARING,BALL	1	
60	60219554	GEAR,CAM	1	
70	60219555	KEY,FEATHER	1	
80	60219556	STOPPER,CAMSHAFT	1	
85	60219557	PIN,PIPE	1	
90	60219558	BOLT,FLANGE	4	
100	60219559	SHAFT,IDLE GEAR	1	
105	60219560	PIN,SPRING	2	
110	60219561	COLLAR,IDLE GEAR	1	
120	60219562	BOLT,FLANGE	1	
130	60219563	COMP.GEAR,IDLE	1	
140	60219564	BUSH,IDLE GEAR	1	

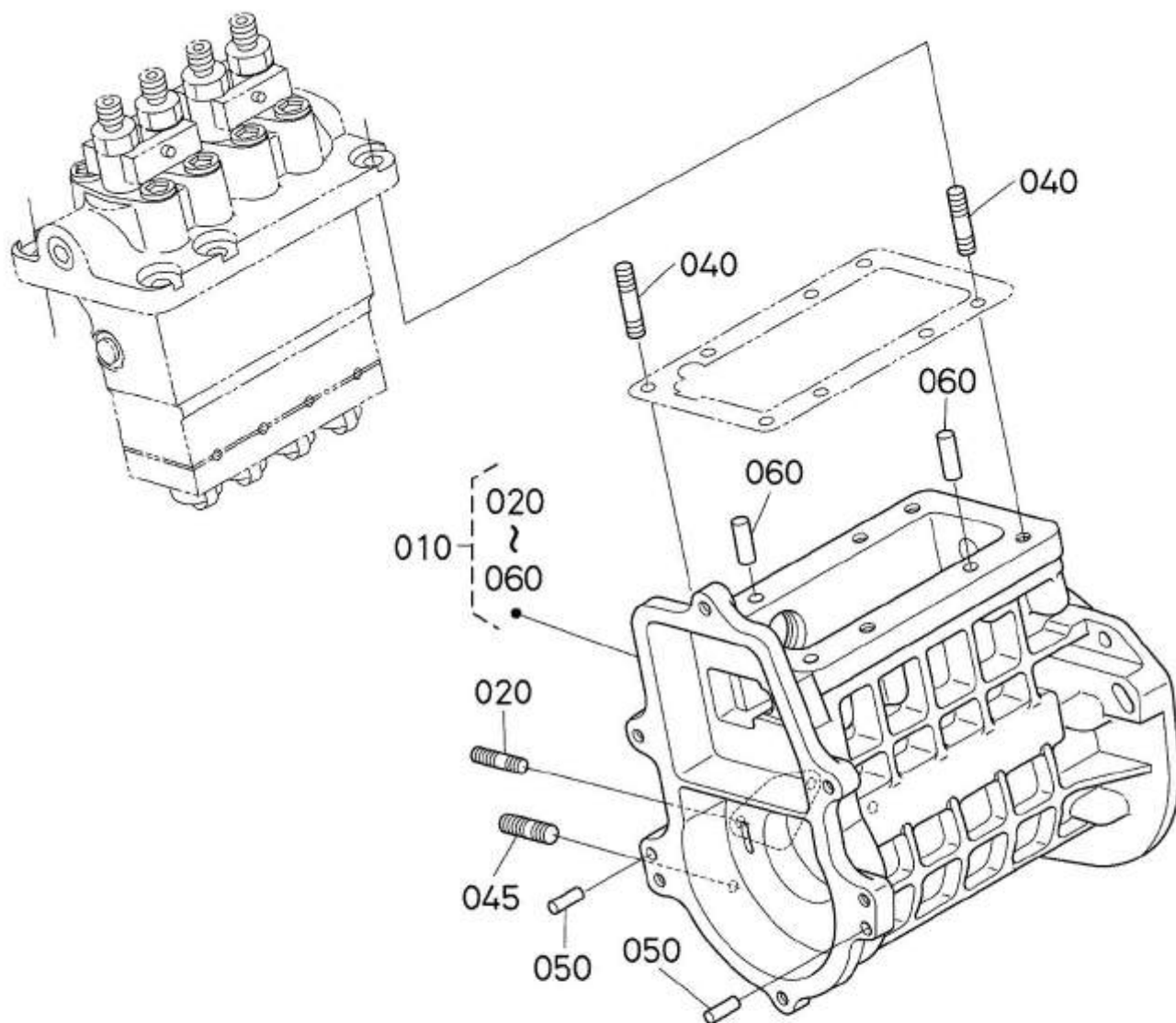


1J700-044-13

No.	Part No.	Description	Qty	Page number
10	60280796	COMP.FLYWHEEL	1	
20	60219566	GEAR,RING	1	
30	60219567	BOLT,FLYWHEEL	7	
40	61008578	Assy housing,f/wheel	1	
45	60280797	ASSY HOUSING,F/WHEEL	1	
50	60219569	SEAL,OIL	1	
60	61008579	Plug	1	
70	60219571	GASKET,HOUSING	1	
80	60219572	BOLT,FLANGE	6	
90	60219573	BOLT,FLANGE	4	
100	60219574	BEARING	1	
110	60219575	BEARING	1	
120	60219576	BOLT,FLANGE	1	
130	60219577	WASHER,PLAIN	1	
140	61008580	Plug	1	
150	60219579	COVER	1	
160	60219580	BOLT,FLANGE	3	



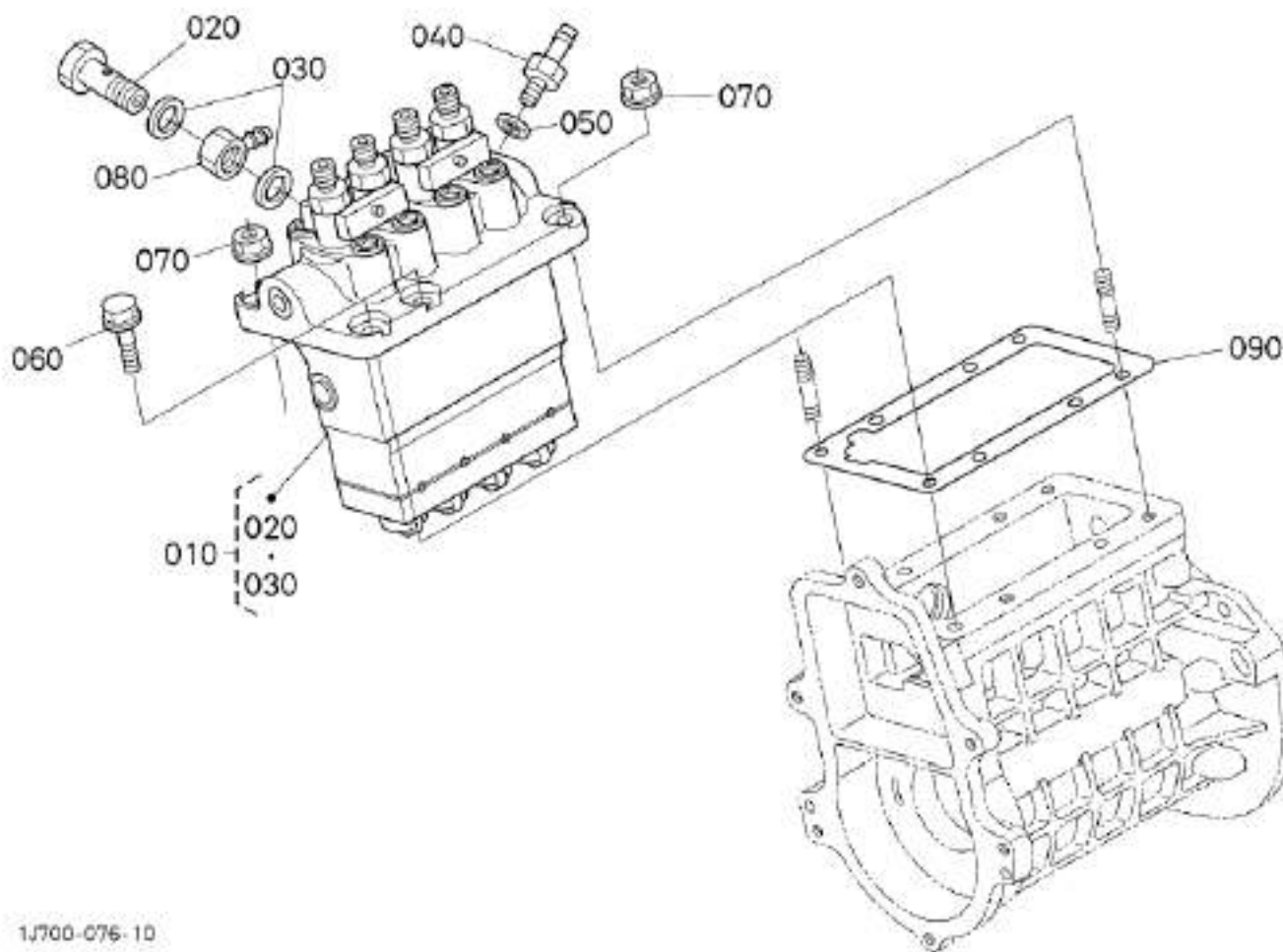
No.	Part No.	Description	Qty	Page number
10	60219581	STUD	3	
20	60219582	COMP.PIPE,IP OIL	1	
30	60219583	BOLT,EYE JOINT	2	
40	60310091	Gasket	2	
50	61008582	Pump,injection,kit	1	
60	60219586	GASKET,INJ.PUMP	1	
70	60219587	GEAR,INJECTION PUMP	1	
80	60219588	NUT,INJ.PUMP GEAR	1	
90	60219589	NUT,FLANGE	5	
100	60219590	BRACKET,INJ.PUMP	1	
110	60219591	BOLT,FLANGE	4	
140	60124399	GASKET	3	
150	60219592	NUT	1	
170	60219593	CAP	1	



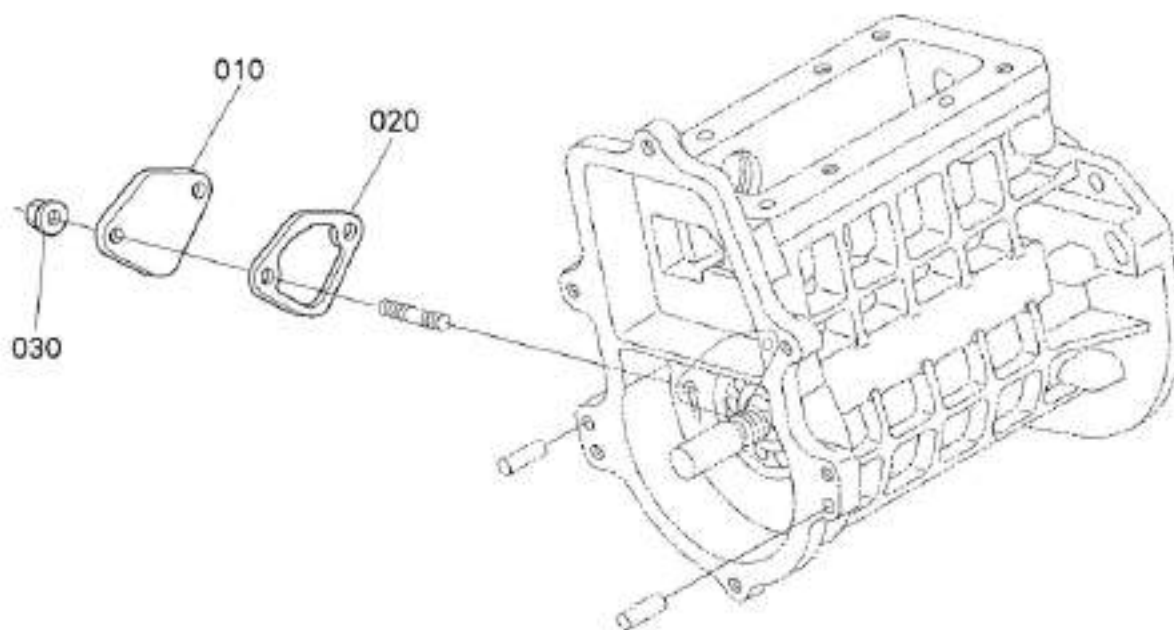
1G099-013-14



No.	Part No.	Description	Qty	Page number
10	60219594	ASSY HOUSING,I/P	1	
20	60124634	STUD	2	
40	60219595	STUD	2	
45	60219596	STUD	2	
50	60219597	PIN,STRAIGHT	2	
60	60219598	PIN,STRAIGHT	2	

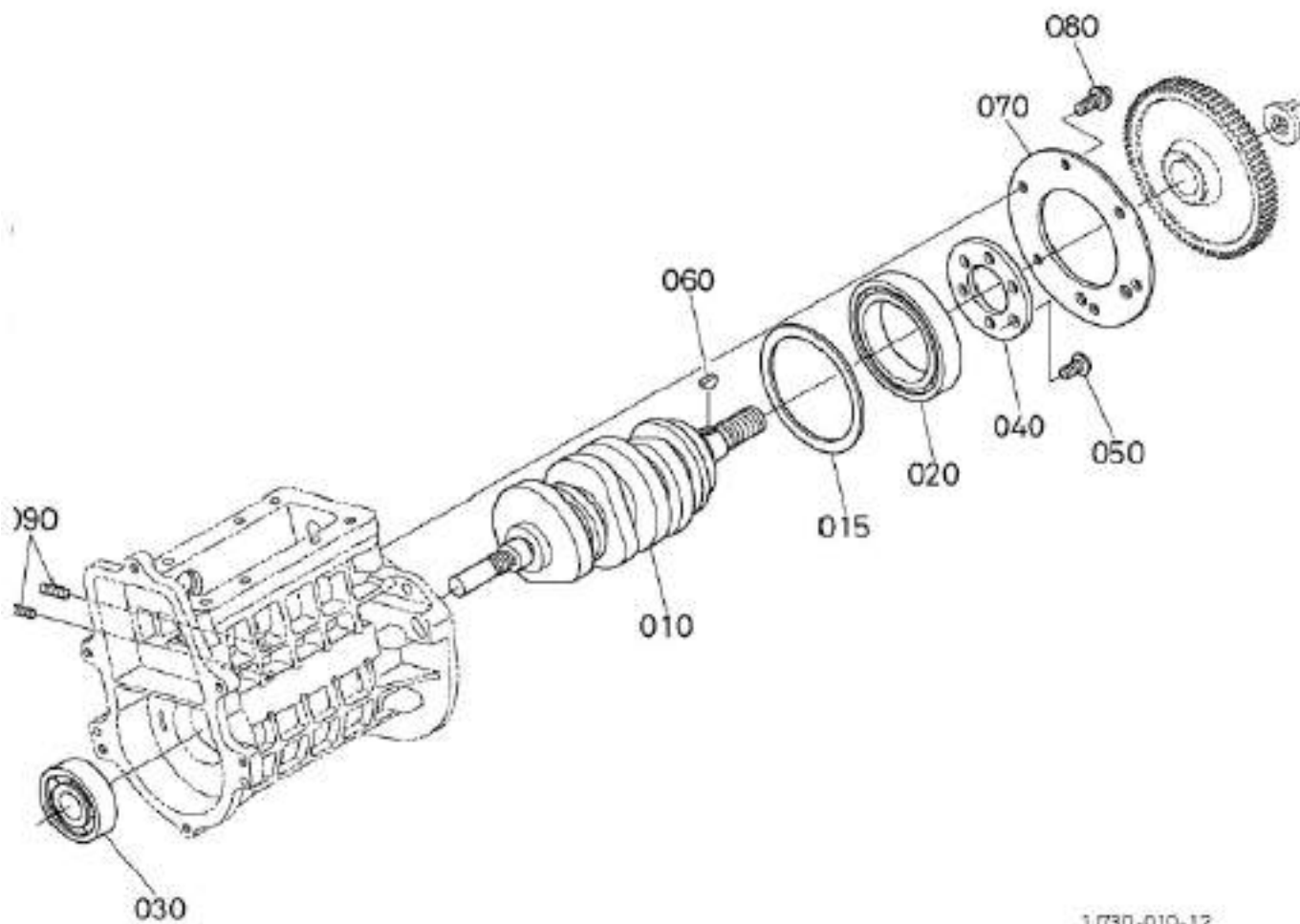


No.	Part No.	Description	Qty	Page number
10	61008824	Assy pump,injection	1	
20	60219600	BOLT,JOINT	1	
30	60219601	GASKET	2	
40	60219602	SCREW,AIR BLEEDER	1	
50	60124399	GASKET	1	
60	60219603	BOLT,FLANGE	4	
70	60219589	NUT,FLANGE	2	
80	60219604	JOINT,EYE	1	
90	60219605	SHIM	1	



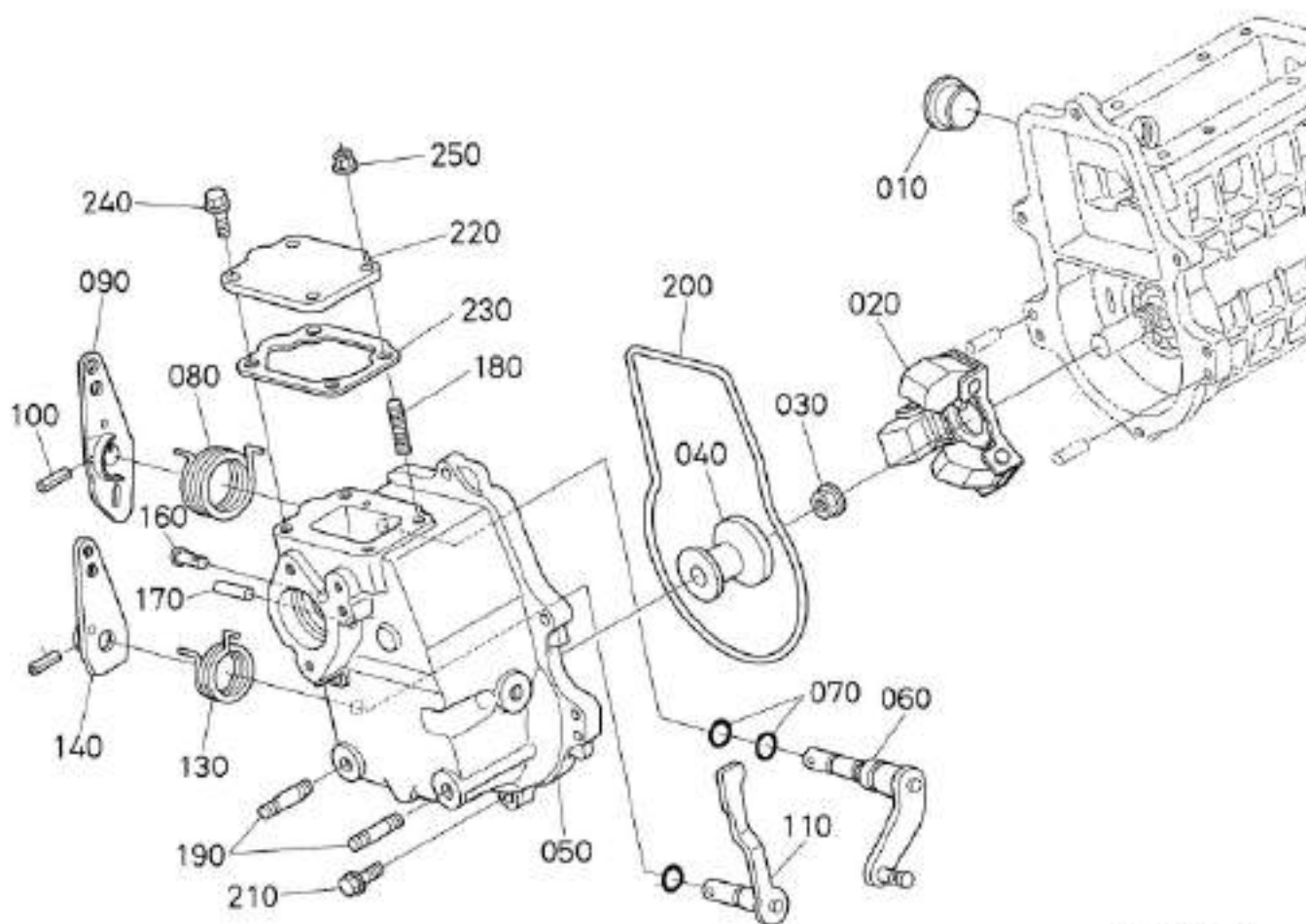
10399-037-10

No.	Part No.	Description	Qty	Page number
10	60124297	COVER	1	
20	60124622	GASKET FUEL PUMP	1	
30	60124462	NUT FLANGE	2	



1J730-010-12

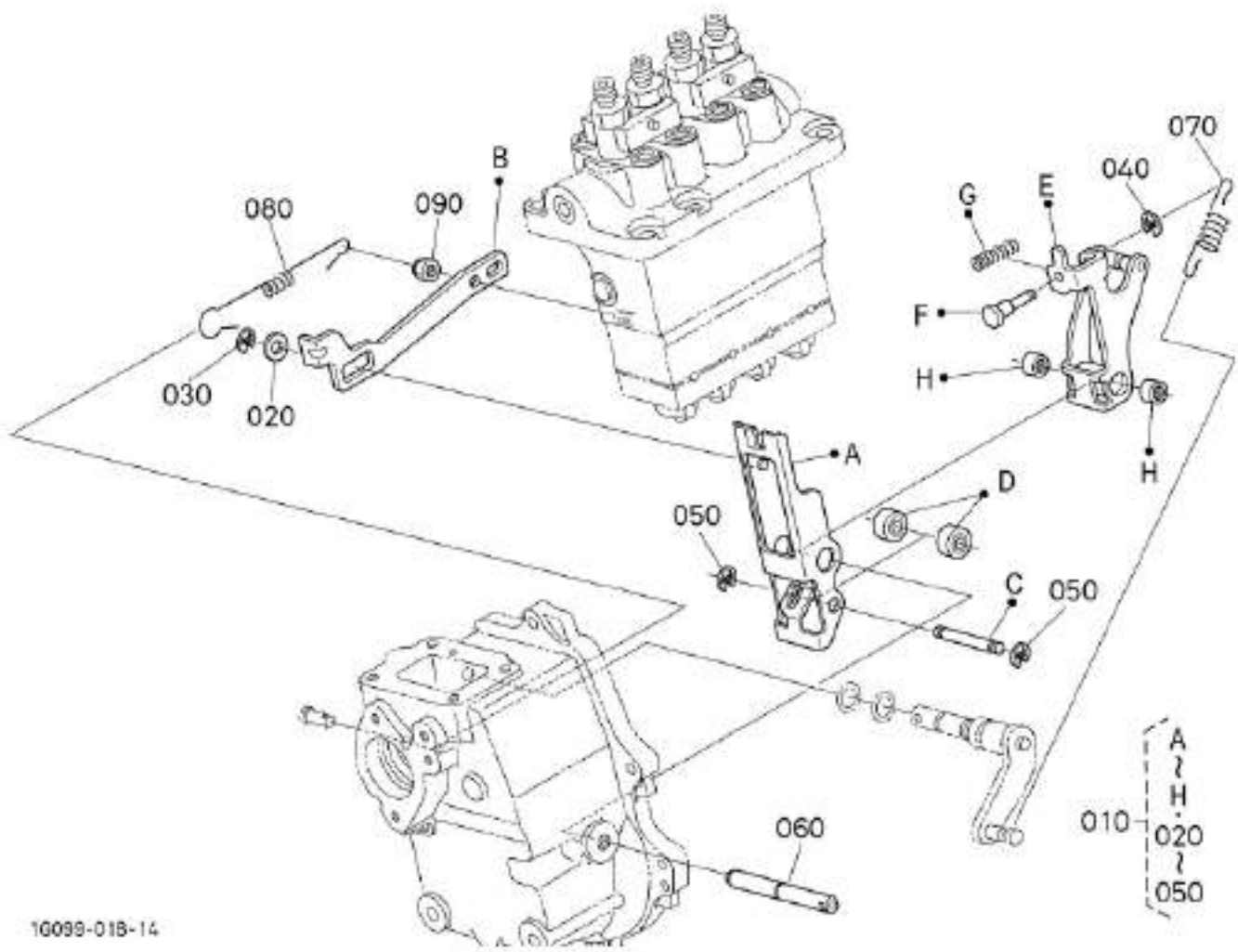
No.	Part No.	Description	Qty	Page number
10	60219606	CAMSHAFT,FUEL	1	
15	60219607	COLLAR,F/CAM BEARING	1	
20	60219608	BEARING,BALL	1	
30	60219609	BEARING,BALL	1	
40	60219610	STOPPER	1	
50	60219611	SCREW,BINDING(PHILLI	6	
60	60219612	KEY,WOODRUFF	1	
70	60219613	STOPPER,FUEL C/SHAFT	1	
80	60219614	BOLT,FLANGE	6	
90	60219615	SCREW,SOCKET HEAD	2	



1J700-009-13

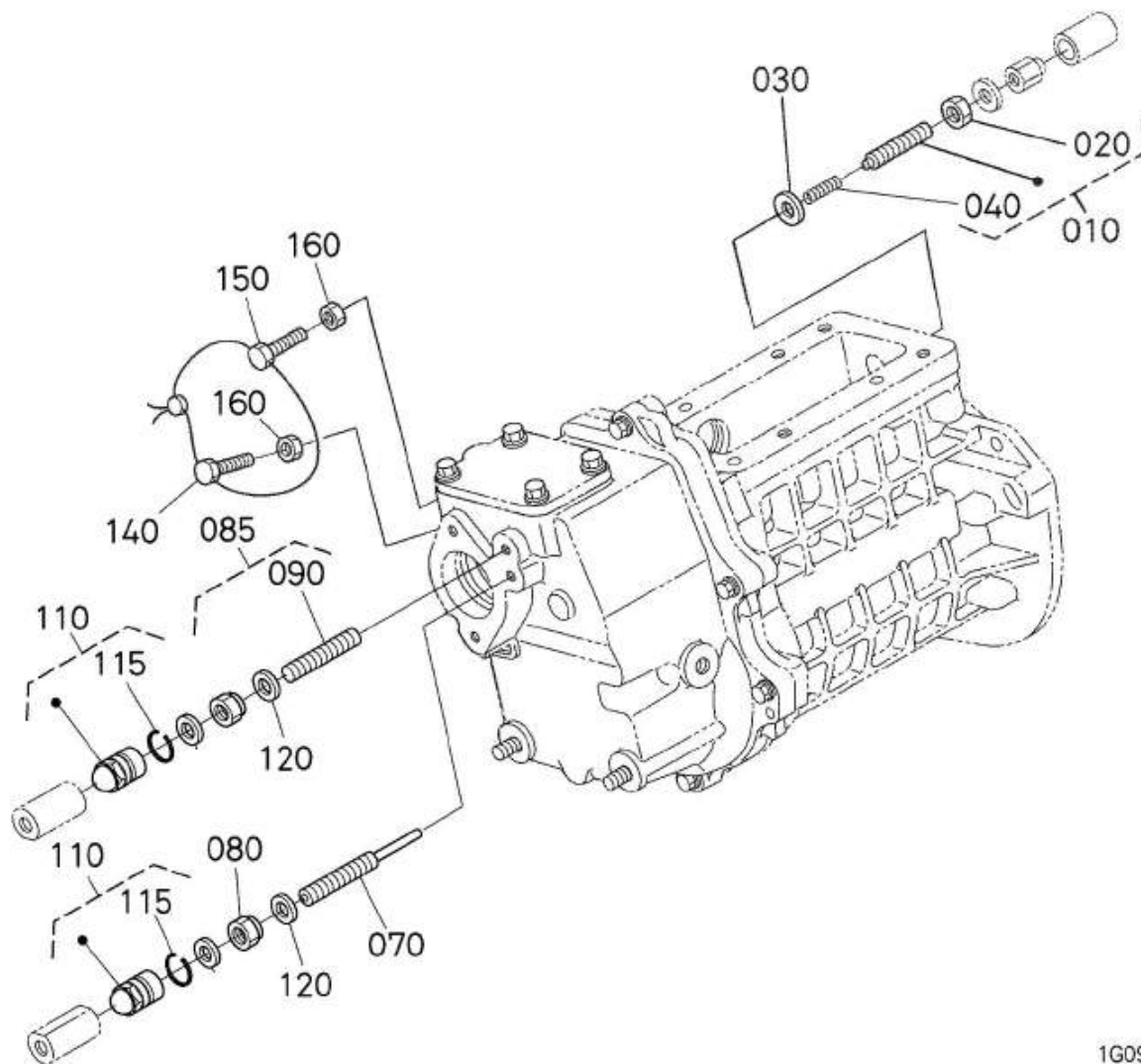


No.	Part No.	Description	Qty	Page number
10	60219616	COVER,GOVERNOR ROD	1	
20	60219617	ASSY WEIGHT,GOVERNOR	1	
30	60219618	NUT,FLANGE	1	
40	60219619	SLEEVE,GOVERNOR	1	
50	60219620	HOUSING,GOVERNOR	1	
60	60219621	ASSY WEIGHT,GOVERNOR	1	
70	60219622	O-RING	3	
80	60219623	SPRING	1	
90	60219624	LEVER,SPEED CONTROL	1	
100	60219625	PIN,SPRING	2	
110	60219626	ASSY WEIGHT,GOVERNOR	1	
130	60219627	SPRING,RETURN	1	
140	60219628	LEVER,ENGINE STOP	1	
160	60219629	PIN,START SPRING	1	
170	60219630	PIN,STRAIGHT	1	
180	60219631	STUD	1	
190	60219632	BOLT,STUD	2	
200	60219633	GASKET,GOV.HOUSING	1	
210	60124464	BOLT FLANGE	6	
220	60219634	COVER,BOOST COM.HOUS	1	
230	60219635	GASKET,PLATE	1	
240	60219614	BOLT,FLANGE	3	
250	60124462	NUT FLANGE	1	



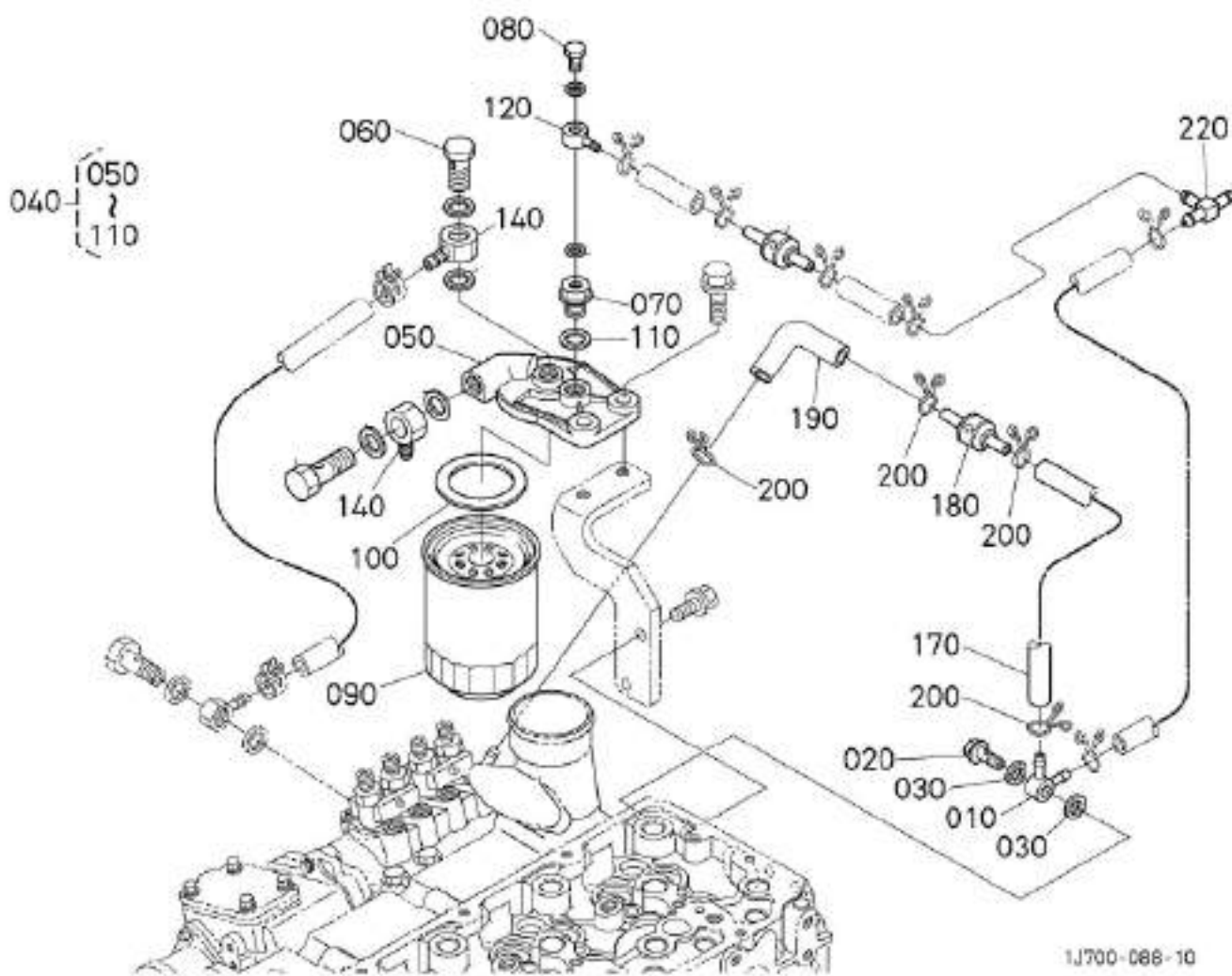
10099-01B-14

No.	Part No.	Description	Qty	Page number
10	61008829	Lever	1	
20	60219637	WASHER,PLAIN	1	
30	60219638	CIR-CLIP,EXTERNAL	1	
40	60219639	CIR CLIP,EXTERNAL	1	
50	60219640	CIR-CLIP,EXTERNAL	2	
60	60280801	SHAFT,FORK LEVER	1	
70	61008830	Spring,governor	1	
80	60219643	SPRING,START	1	
90	60219644	LOCKNUT	1	



1G099-019-18

No.	Part No.	Description	Qty	Page number
10	60219645	ASSY BOLT,ADJUSTMENT	1	
20	60219646	NUT	1	
30	60124399	GASKET	1	
40	60280779	NUT,LOCK	1	
70	60219648	BOLT,ADJUSTING	1	
80	61008832	Nut	2	
85	61008833	Bolt	1	
90	61008834	Bolt,adjustment	1	
110	61008835	Cap nut assy	2	
115	61008836	Cir-clip	2	
120	60124400	GASKET	4	
140	60219649	BOLT,IDLING ADJUST	1	
150	61008837	Bolt	1	
160	60218959	hex nut	2	



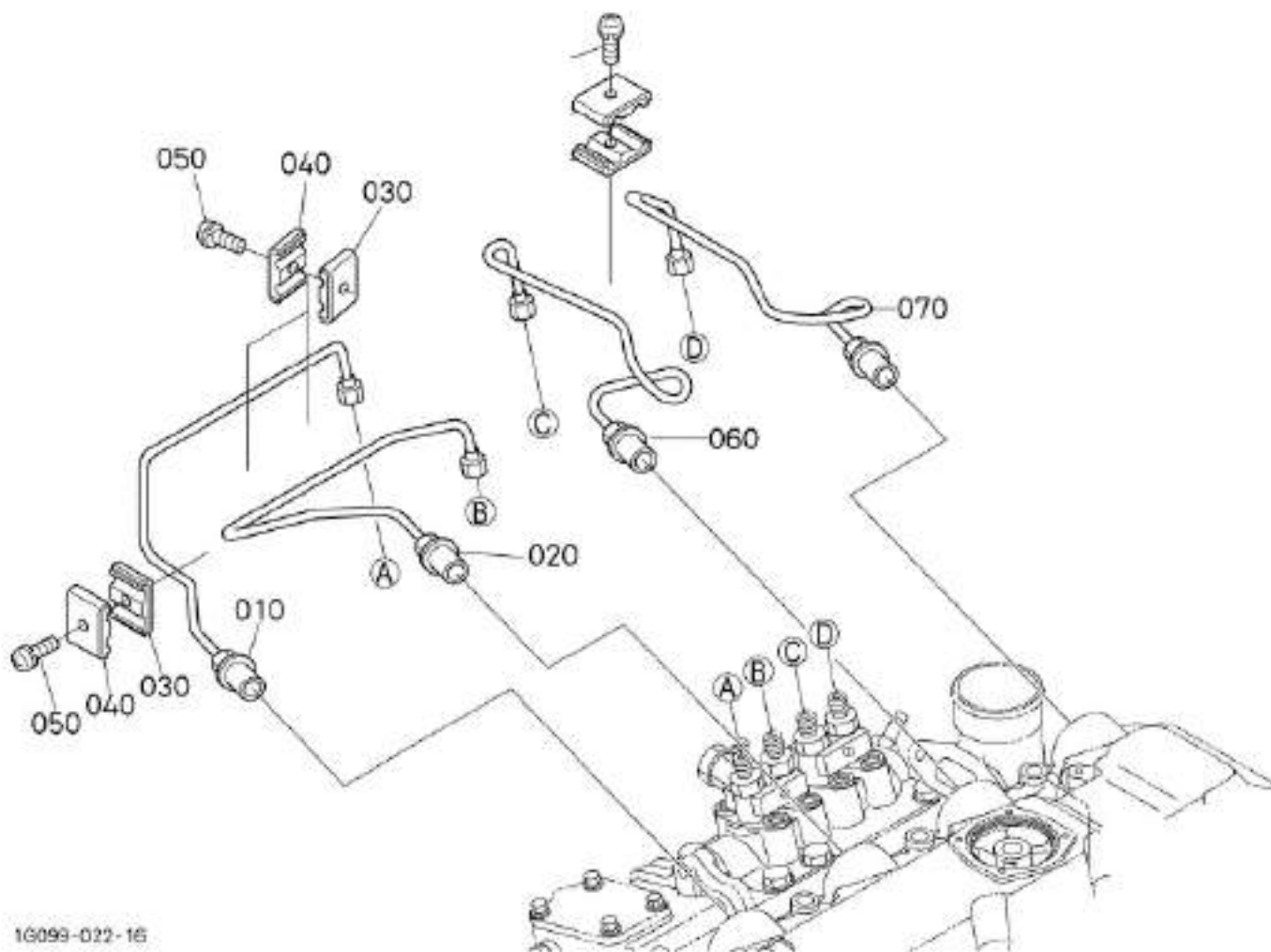
1J700-086-10

No.	Part No.	Description	Qty	Page number
10	60219651	JOINT	1	
20	60219982	BOLT,JOINT	1	
30	60124399	GASKET	4	
40	60220024	ASSY FILTER,FUEL	1	
50	60219965	COVER	1	
60	60219981	BOLT,JOINT	2	
70	60219992	CONNECTOR	1	
80	60219991	CONNECTOR	1	
90	60218971	element fuel filter	1	
100	60219933	GASKET	1	
110	60219932	GASKET	5	
120	60219973	JOINT,PIPE	1	
140	60219100	joint eye	2	
170	60124624	TUBE FUEL	1	
180	60218931	valve fuel check	2	
190	60124623	TUBE FUEL	1	
200	60124482	CLIP PIPE	4	
220	60124390	JOINT T-PIPE	1	



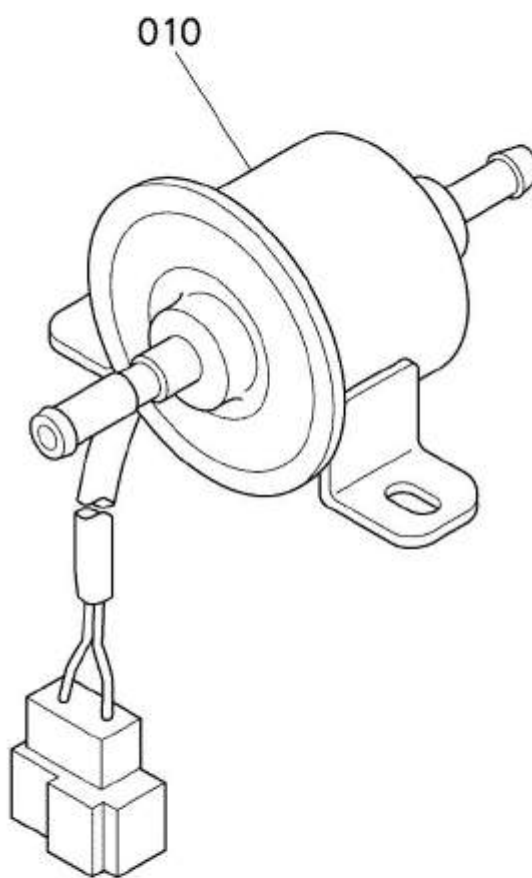


No.	Part No.	Description	Qty	Page number
10	60220050	ASSY PIPE,OVER FLOW	1	
20	60218922	bolt eye joint	5	
30	61008840	Ring	5	
40	60220012	ASSY HOLDER,NOZZLE	4	
50	60219928	O RING	4	
60	60218913	o ring	4	
70	60218914	gasket	4	
80	60220013	ASSY CLAMP,INJECTION	4	
90	60219955	BOLT,FLANGE	4	
100	60220055	GLOW PLUG	4	
110	60220057	SEAL,GLOW PLUG	4	
120	60220056	CORD,GLOW PLUG	1	
130	60124463	NUT FLANGE	4	



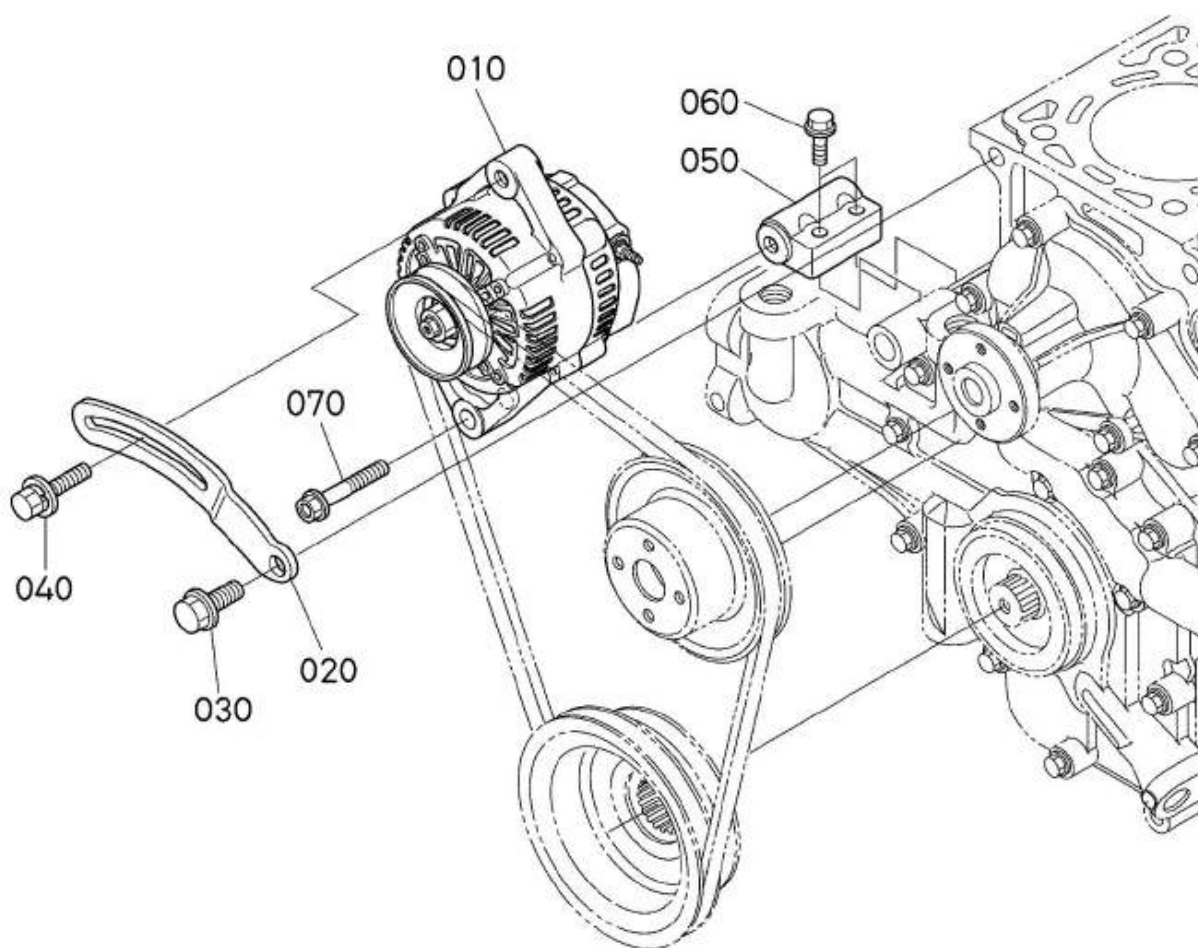
1G093-022-16

No.	Part No.	Description	Qty	Page number
10	60220008	PIPE,INJECTION	1	
20	60220009	PIPE,INJECTION	1	
30	60124483	CLAMP PIPE	4	
40	60124484	CLAMP PIPE	4	
50	60124417	SCREW WITH WASHER	4	
60	60220010	PIPE,INJECTION	1	
70	60220011	PIPE,INJECTION	1	



17553-014-22

No.	Part No.	Description	Qty	Page number
10	60210579	Electrical Fuel Feed Pump	1	



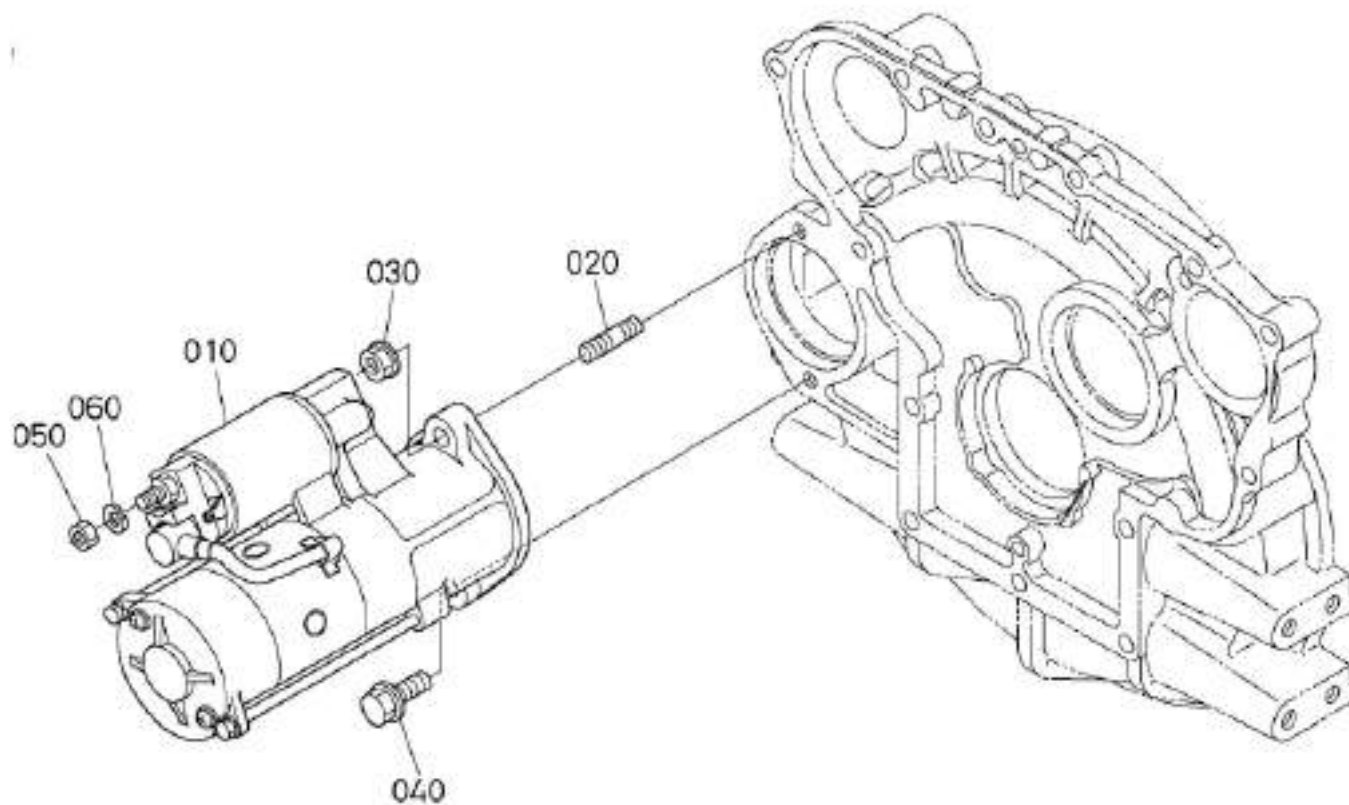
1J701-050-10

No.	Part No.	Description	Qty	Page number
10	60280790	Alternator	1	
20	60219952	STAY,DYNAMO	1	
30	60280791	BOLT,FLANGE	1	
40	60220000	BOLT,W SEMS(LARGE WASHER)	1	
50	60280792	SUPPORT,DYNAMO	1	
60	60219956	BOLT,FLANGE	2	
70	60219958	BOLT,FLANGE	1	

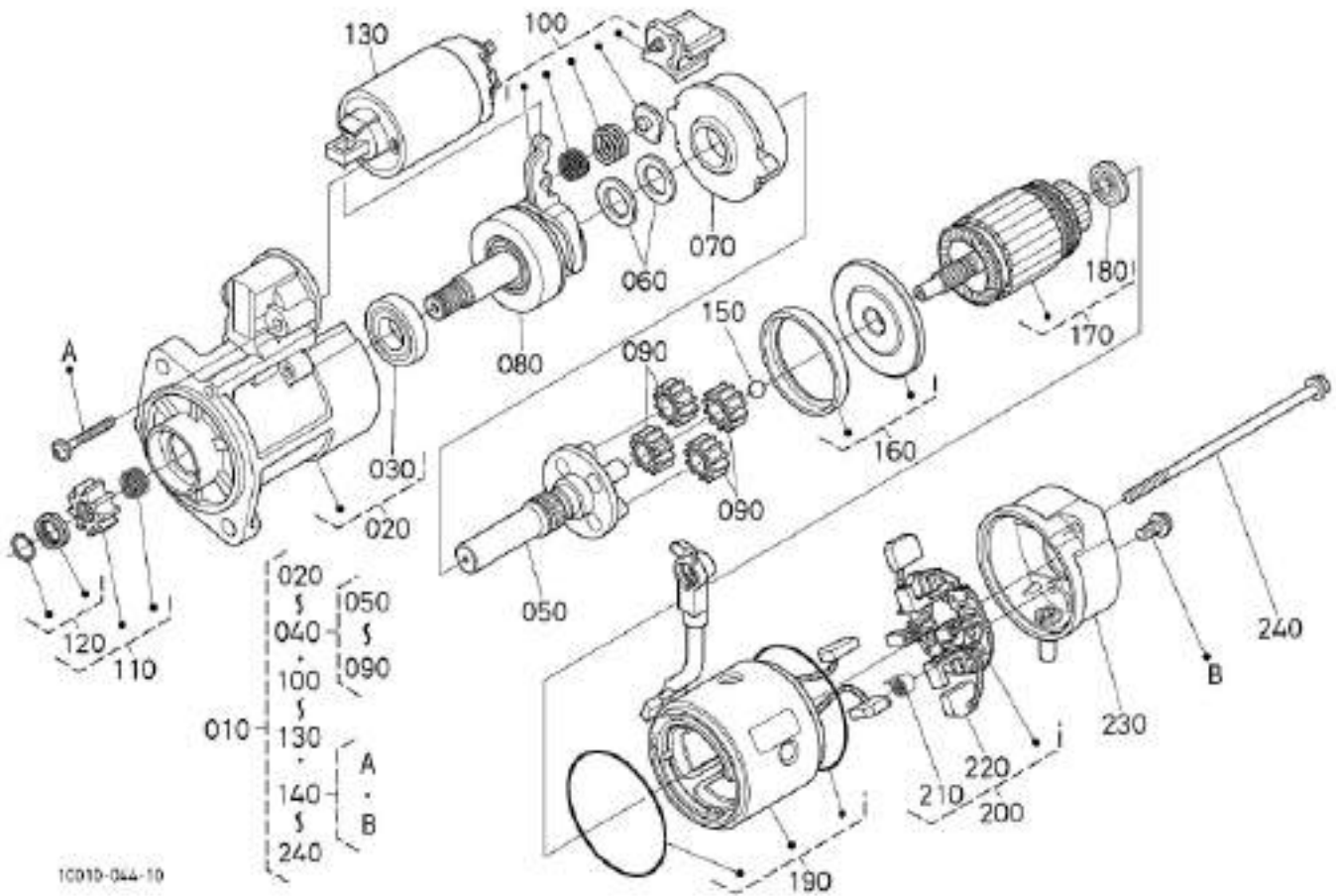




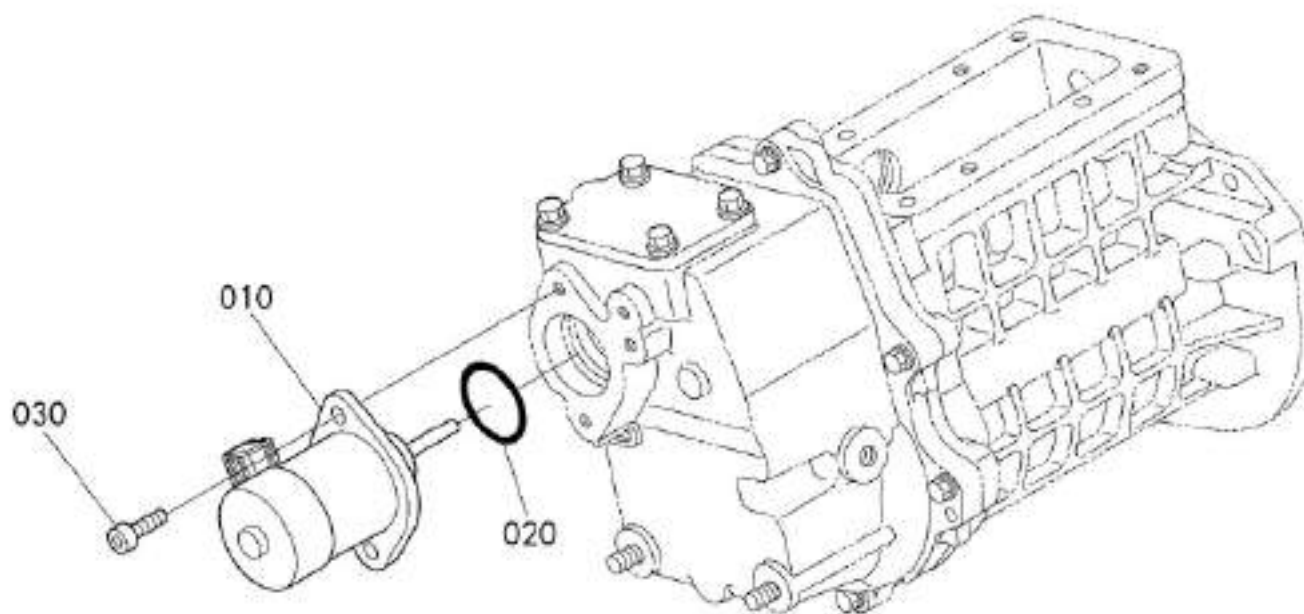
No.	Part No.	Description	Qty	Page number
10	60280790	Alternator	1	
20	60219980	PULLEY,ALTERNATOR	1	
30	60124534	NUT	1	
40	61008845	Holder	1	
50	60280793	BEARING,BALL	1	
60	60124292	PLATE RETAINER	1	
70	60124391	SCREW ROUND HEAD	4	
80	60124490	BOLT THROUGH	2	
90	60220061	ROTOR	1	
100	60124679	COVER BEARING	1	
110	60124355	BEARING BALL	1	
120	60219946	FRAME,END	1	
130	60220058	HOLDER	1	
140	60124431	HOLDER BRUSH	1	
150	60124727	BRUSH	2	
160	60124430	SPRING BRUSH	2	
170	60219944	ASSY REGULATOR	1	
180	60124393	SCREW ROUND HEAD	6	
190	60124394	SCREW ROUND HEAD	1	
200	60124565	BOLT	3	
210	60124392	SCREW ROUND HEAD	2	
220	60124566	BOLT	2	
230	60219945	COVER,END	1	
240	60124523	BUSH INSULATION	1	
250	60124535	NUT	2	
260	60124529	NUT	1	
270	60220044	CLAMP,CORD	1	
280	60124683	COLLAR	1	



No.	Part No.	Description	Qty	Page number
10	60220014	ASSY STARTER	1	
20	60220003	BOLT,STUD	1	
30	60218999	nut flange	1	
40	60219447	BOLT,FLANGE	1	
50	60219997	HEX.NUT	1	
60	60219486	WASHER,SPRING LOCK	1	

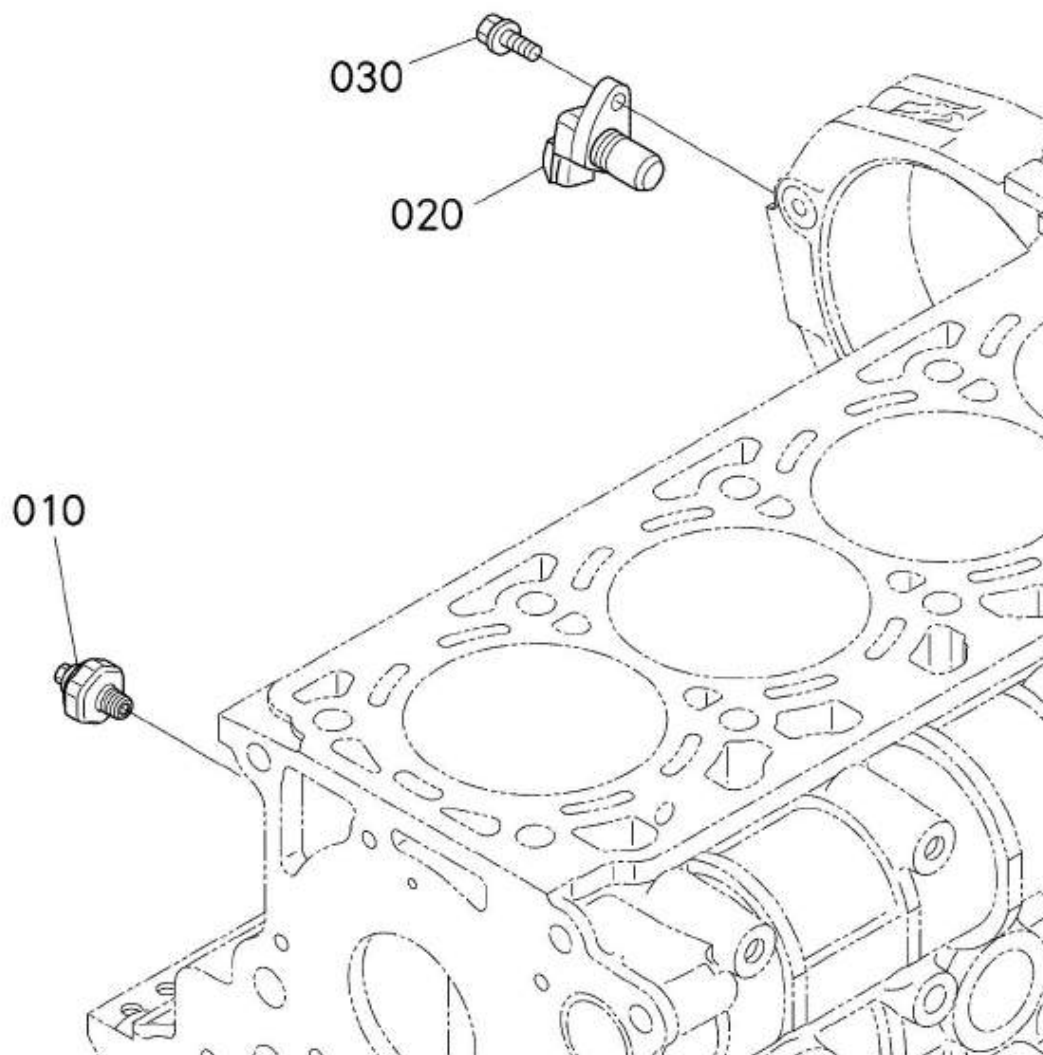


No.	Part No.	Description	Qty	Page number
10	60220014	ASSY STARTER	1	
20	60220015	ASSY BRACKET,FRONT	1	
30	60220060	SET,BEARING	1	
40	60219988	ASSY SHAFT,CLUTCH	1	
50	60219934	ASSY SHAFT,GEAR	1	
60	60218763	set washer	1	
70	60218764	set internal gear	1	
80	60218765	clutch over running	1	
90	60218766	assy gear	4	
100	60219966	ASSY LEVER,SET	1	
110	60219935	SET PINION	1	
120	60218769	set stopper	1	
130	60218770	assy swith magnetic	1	
140	60219967	SET,SCREW	1	
150	60218772	ball	1	
160	60218773	set packing	1	
170	60219937	ASSY ARMATURE	1	
180	60218775	bearing	1	
190	60220062	ASSY YOKE	1	
200	60219940	ASSY HOLDER,BRUSH	1	
210	60219939	BRUSH,SPRING	4	
220	60220033	BRUSH	2	
230	60219975	ASSY BRACKET,REAR	1	
240	60219968	SET,BOLT	1	



1J701-024-11

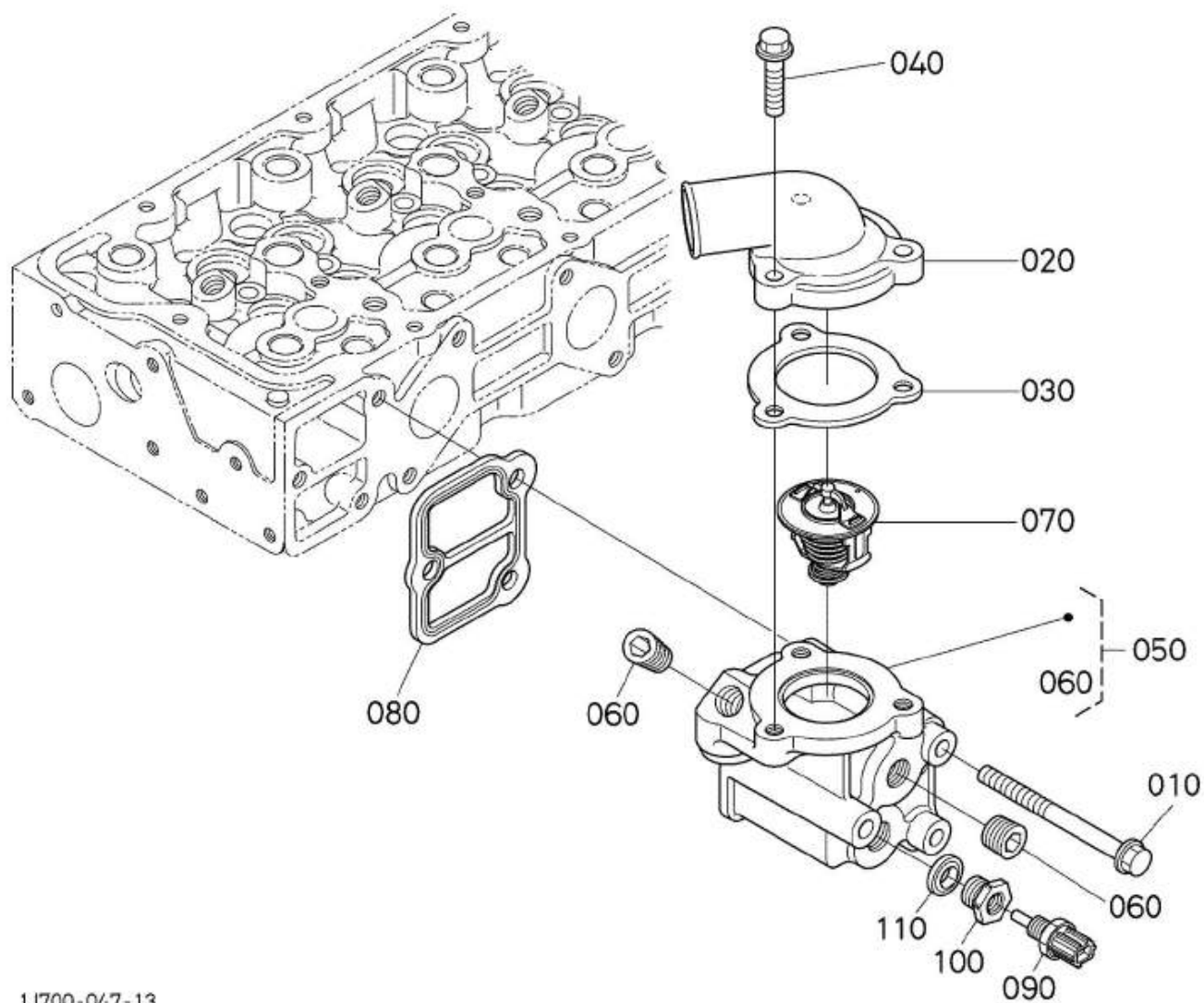
No.	Part No.	Description	Qty	Page number
10	61008849	Assy solenoid	1	
20	60219930	O RING	1	
30	60220005	BOLT,SOCKET HEAD	2	



1J700-036-12

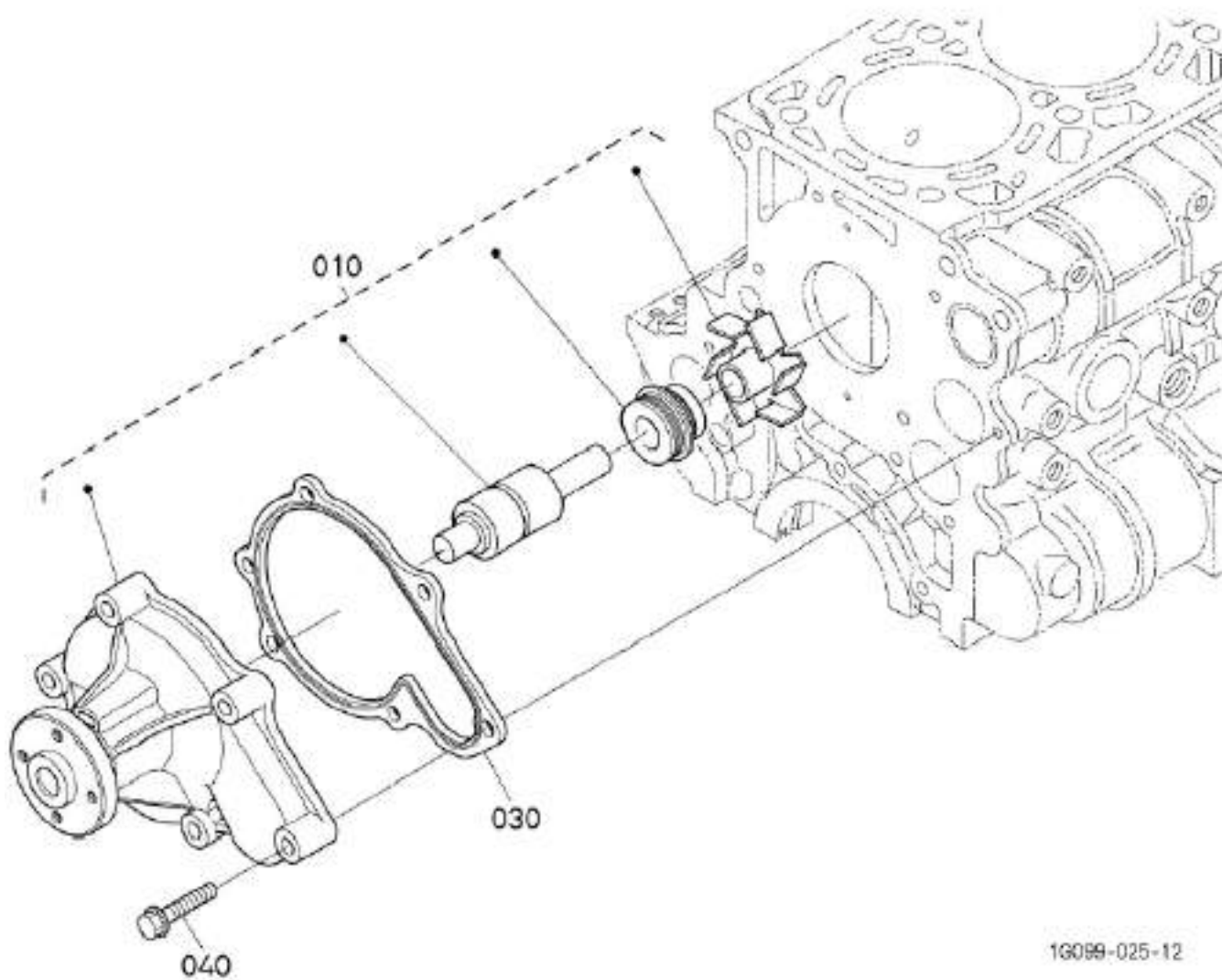


No.	Part No.	Description	Qty	Page number
10	60286411	oil switch	1	
20	60220048	SENSOR,REVOLUTION	1	
30	60218937	bolt flange	1	

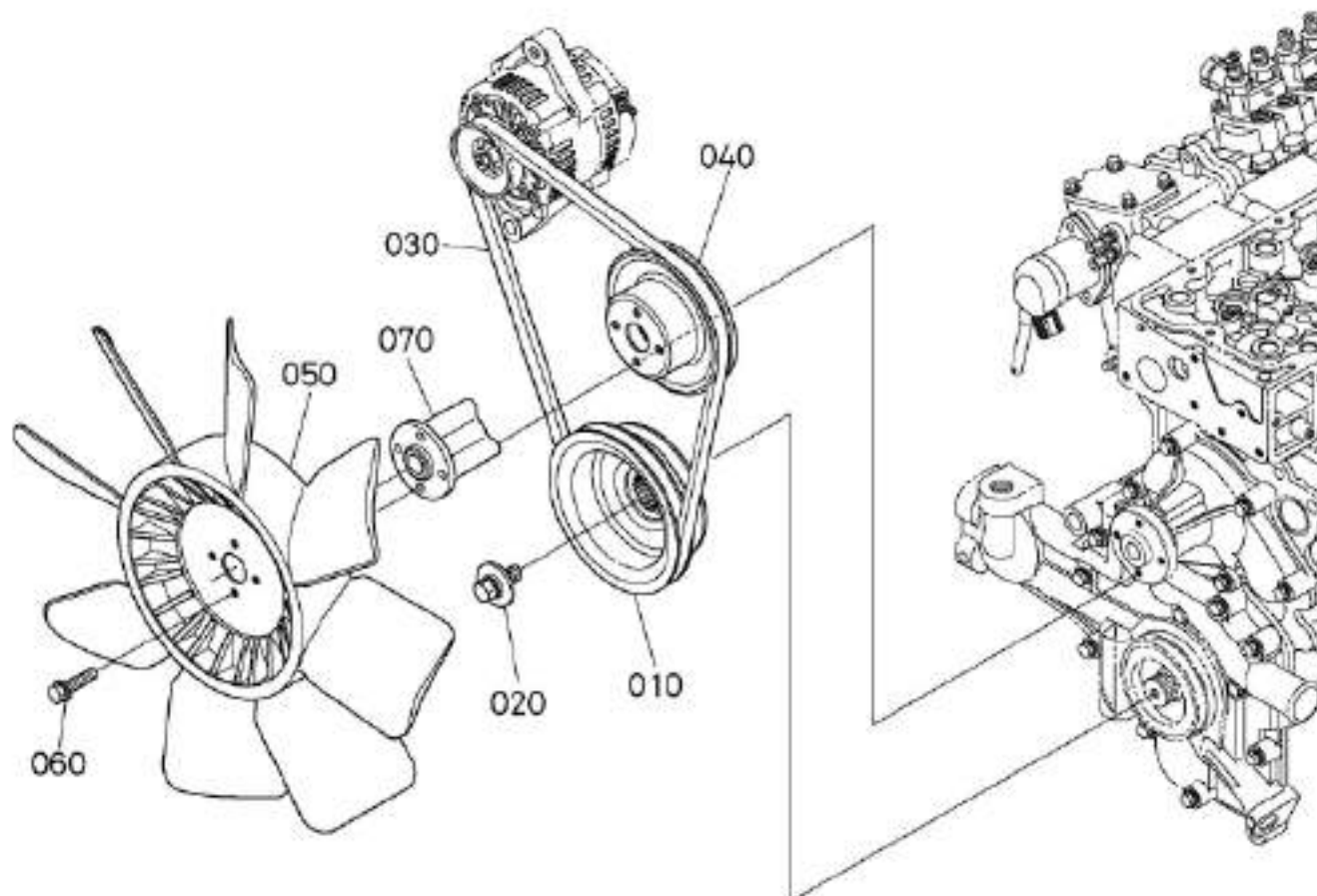


1J700-047-13

No.	Part No.	Description	Qty	Page number
10	60218835	bolt flange	3	
20	60219983	COVER,THERMOSTAT	1	
30	60220004	GASKET	1	
40	60219603	BOLT,FLANGE	3	
50	61008852	Comp.flange,water	1	
60	60219451	PLUG	2	
70	60219984	ASSY THERMOSTAT	1	
80	60220037	GASKET,WATER FLANGE	1	
90	60219468	SENSOR,THERMO	1	
100	61008853	Adapter	1	
110	60218794	washer with rubber	1	

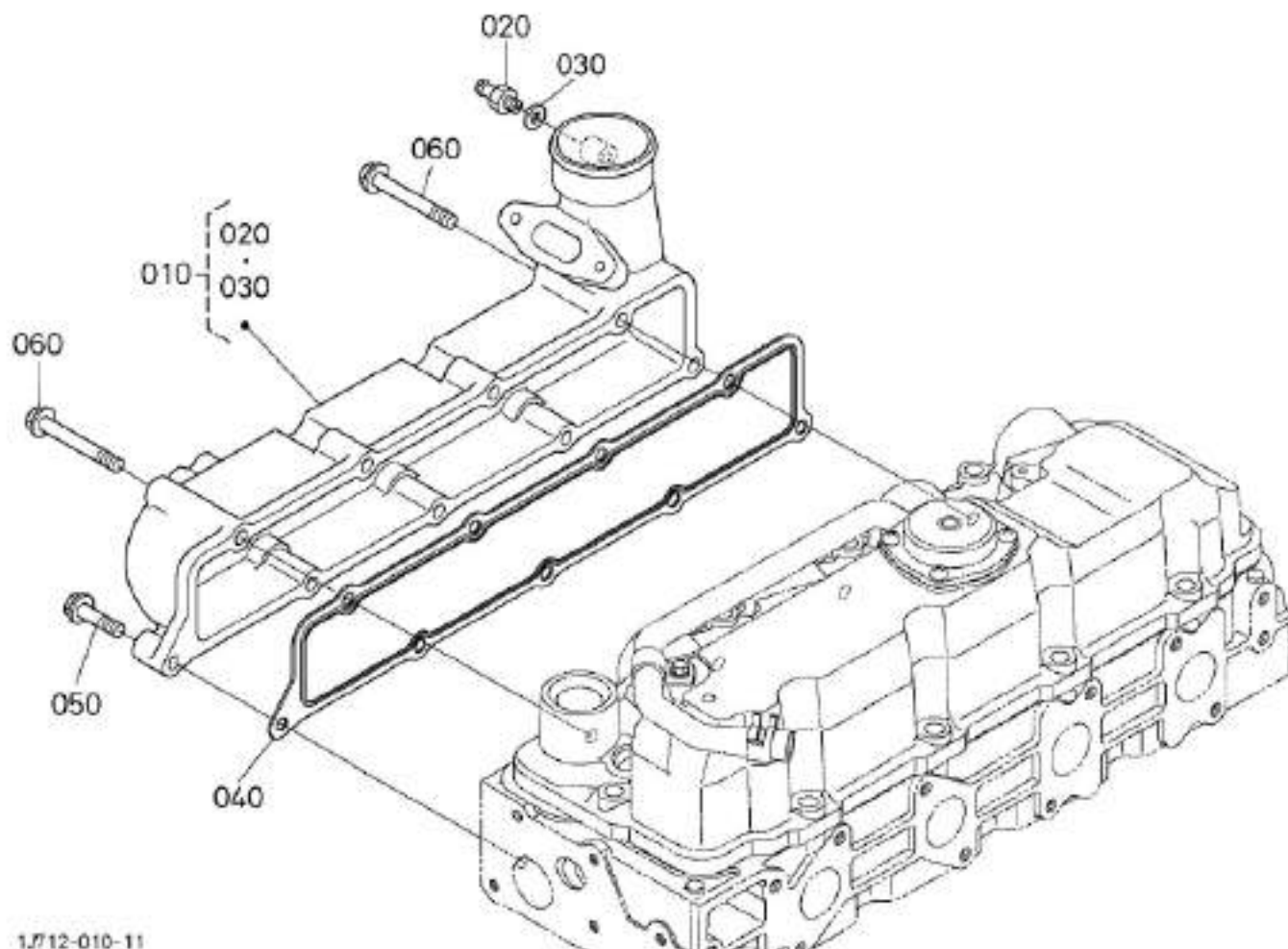


No.	Part No.	Description	Qty	Page number
10	60220036	ASSY PUMP,WATER	1	
20	60220035	GASKET,WATER PUMP	1	
40	60218805	bolt flange	6	



1G247-006-11

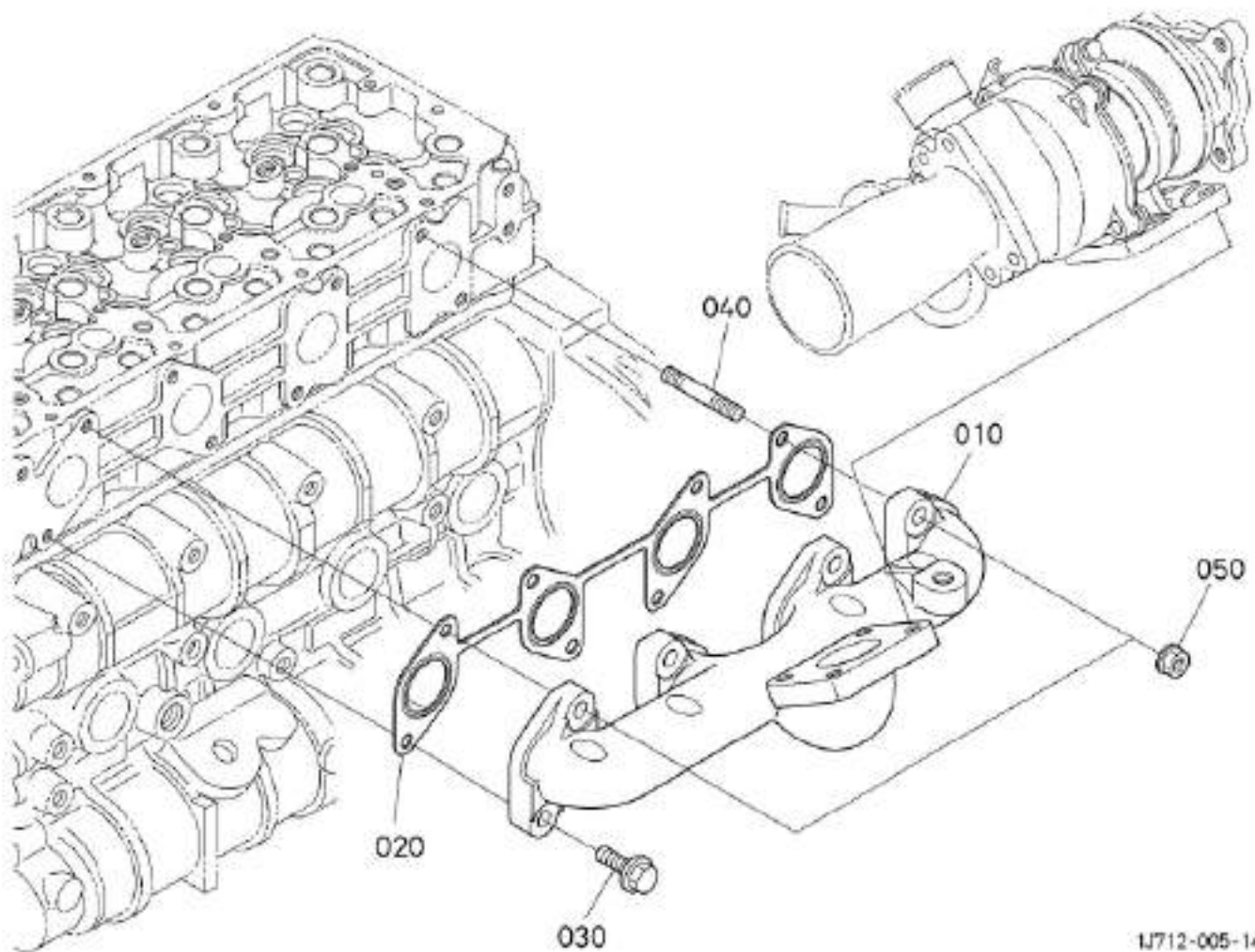
No.	Part No.	Description	Qty	Page number
10	60219962	PULLEY,FAN DRIVE	1	
20	60220001	BOLT	1	
30	60220031	V BELT	1	
40	60219963	PULLEY,FAN	1	
50	60219961	FAN	1	
60	60219954	BOLT,FLANGE	4	
70	60219964	COLLAR,FAN	1	



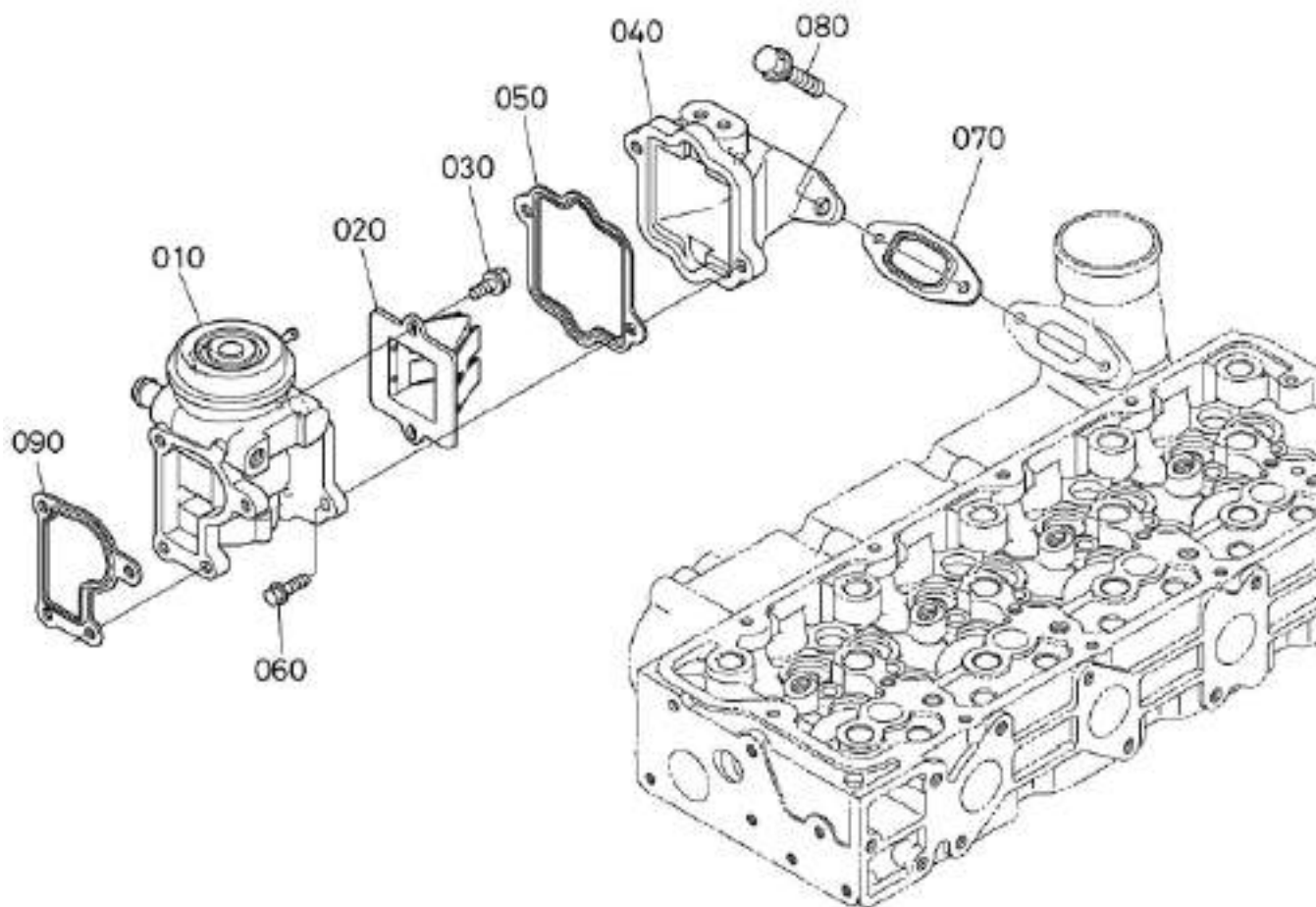
1.7/12-010-11



No.	Part No.	Description	Qty	Page number
10	60244605	assy manifold inlet	1	
20	60124466	SCREW AIR BLEEDER	1	
30	60124400	GASKET	1	
40	60219987	GASKET,IN-MANIFOLD	1	
50	60219056	bolt flange	7	
60	60219955	BOLT,FLANGE	2	

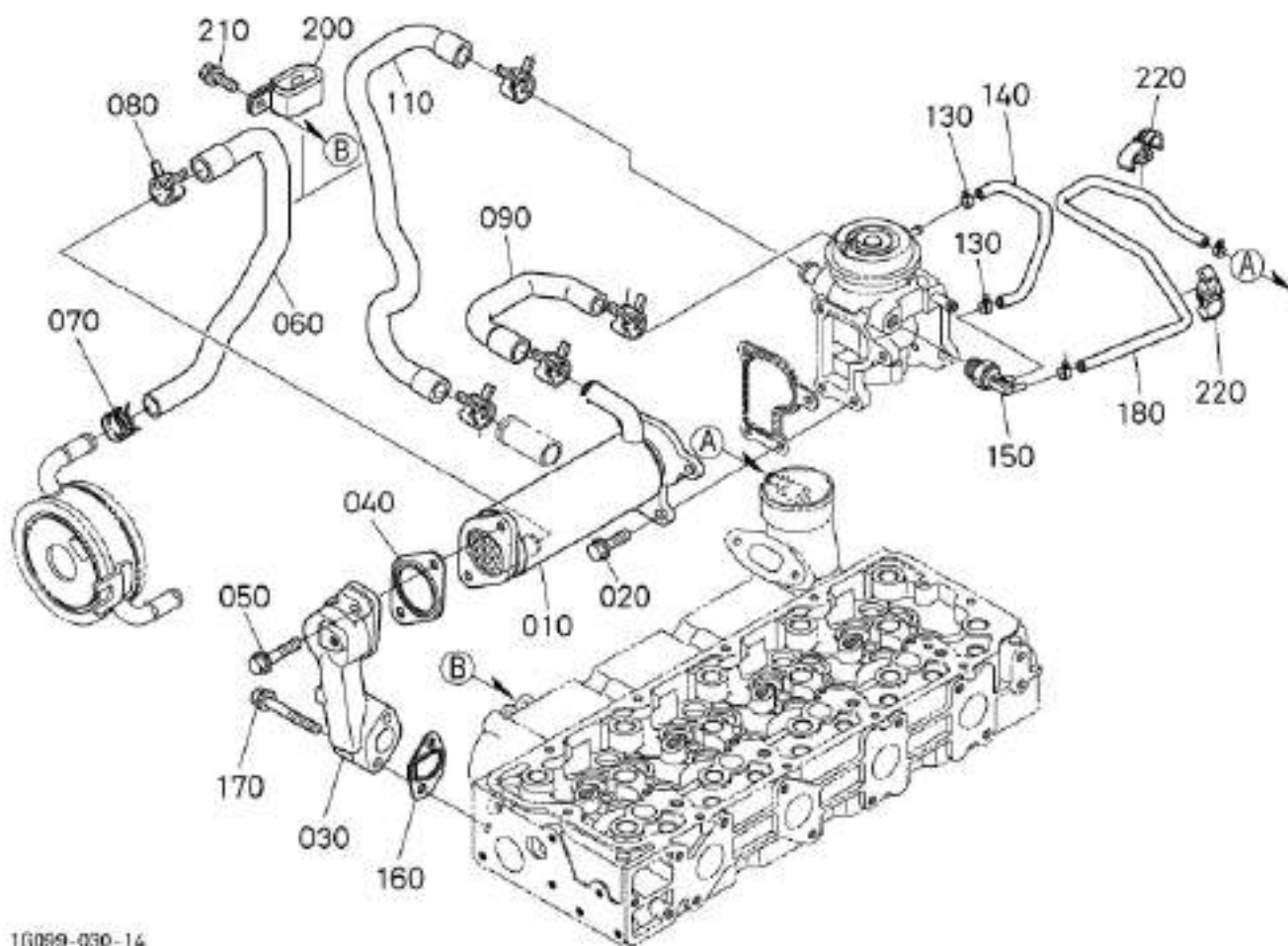


No.	Part No.	Description	Qty	Page number
10	61008858	Manifold	1	
20	60220007	GASKET,EX-MANIFOLD	1	
30	60280788	BOLT,FLANGE	6	
40	60280789	STUD	2	
50	60218843	nut flange	2	



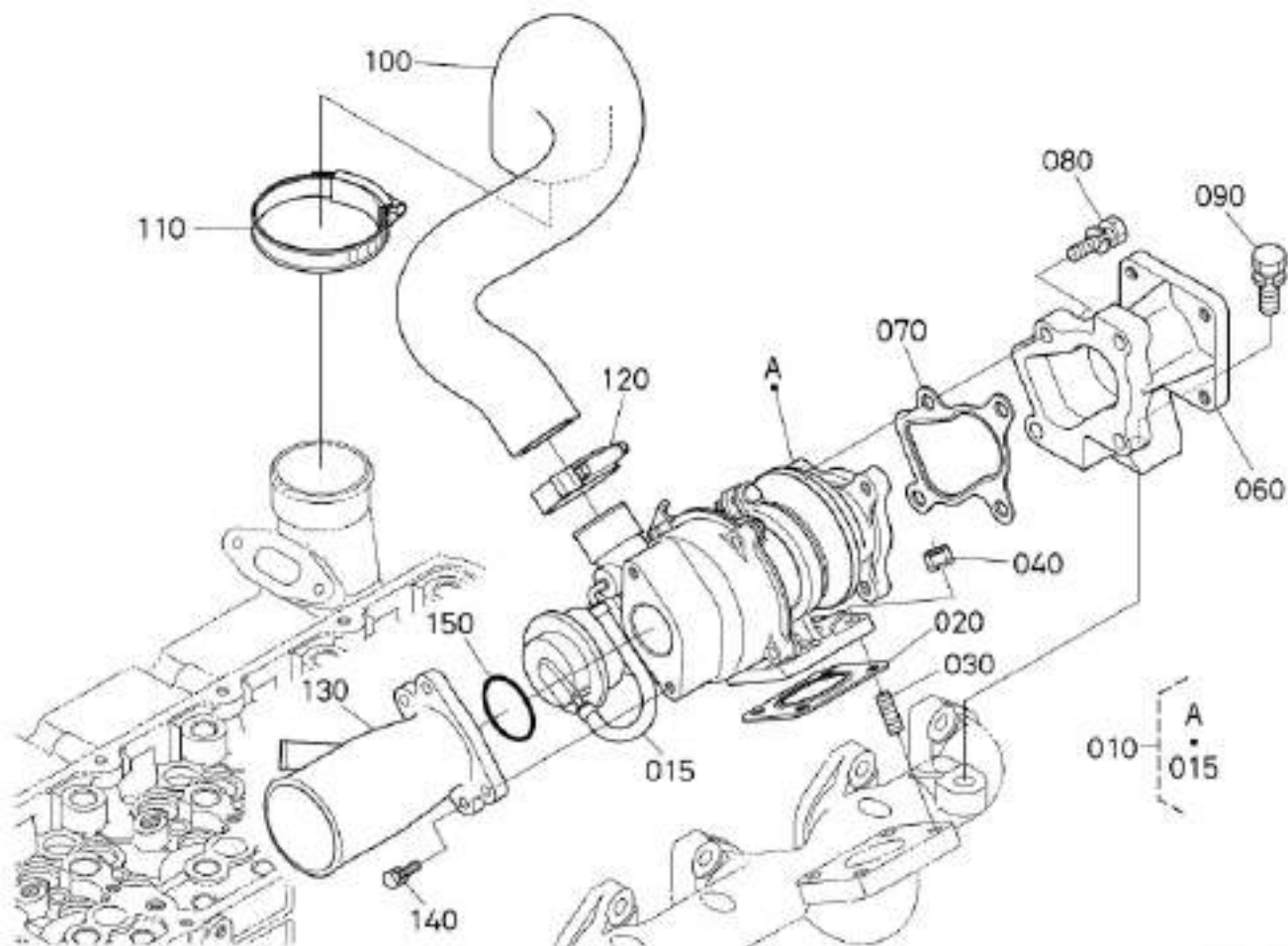
1J700-011-13

No.	Part No.	Description	Qty	Page number
10	61008860	Valve	1	
20	60244607	valve(lead)	1	
30	60219614	BOLT,FLANGE	2	
40	60244608	housing	1	
50	60244609	gasket EGR valve	1	
60	60219603	BOLT,FLANGE	2	
70	60244610	gasket inlet	1	
80	60219959	BOLT,FLANGE	2	
90	60244611	gasket EGR valve	1	



1G099-030-14

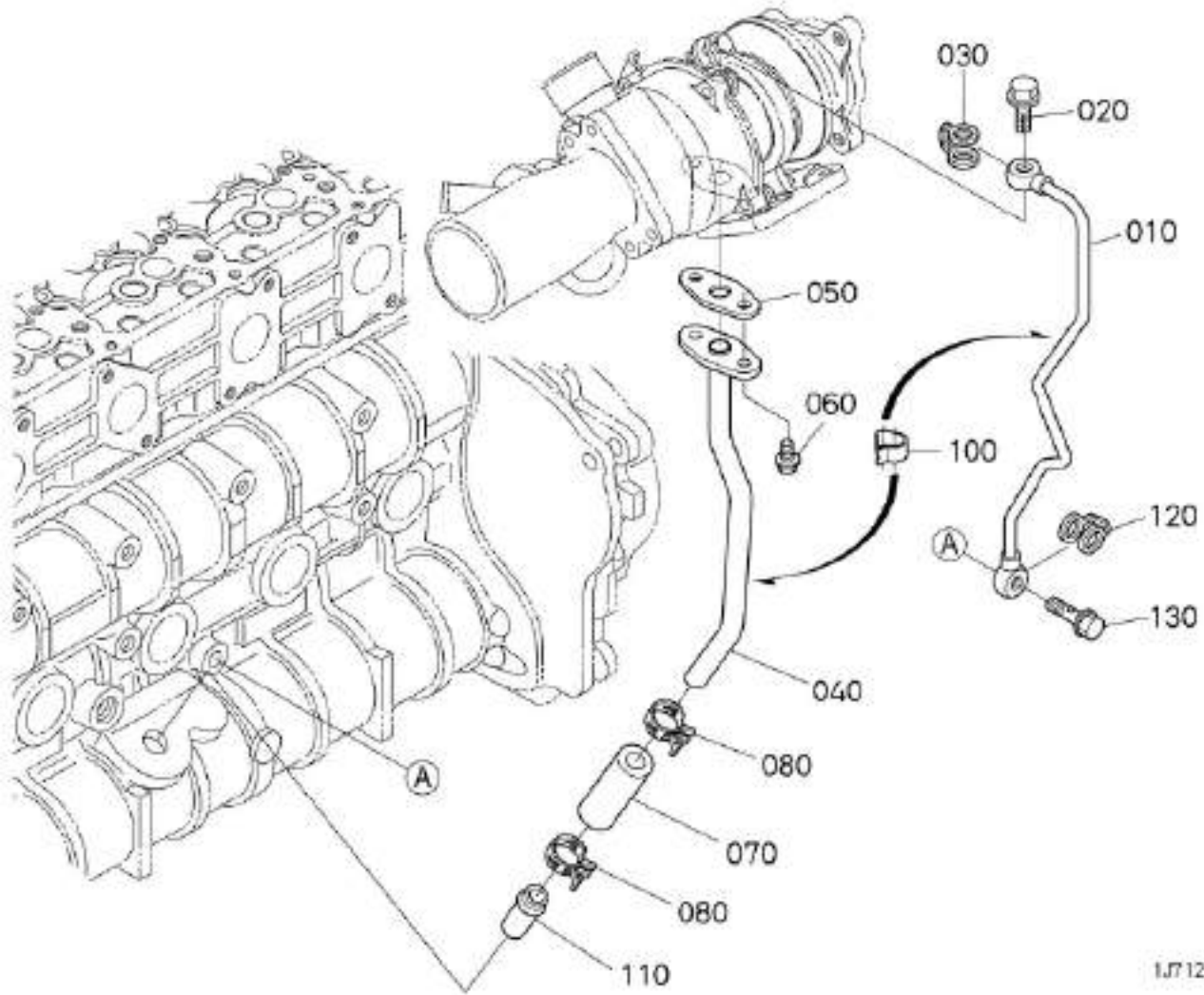
No.	Part No.	Description	Qty	Page number
10	60244612	assy cooler EGR	1	
20	60218830	bolt flange	4	
30	60244613	comp base EGR	1	
40	60244614	gasket EGR cooler	1	
50	60219603	BOLT,FLANGE	2	
60	60277455	PIPE,WATER	1	
70	60219496	BAND,HOSE	1	
80	60220026	CLAMP,HOSE	5	
90	60277456	PIPE,WATER	1	
110	60277457	PIPE,WATER	1	
130	60244618	band(pipe)	4	
140	60244619	pipe boost	1	
150	60244620	valve (thermo)	1	
160	60244621	gasket(EGR base)	1	
170	60218793	bolt flange	2	
180	60244622	pipe boost	1	
200	60244623	clamp hose	1	
210	60219498	BOLT,FLANGE	1	
220	60244624	clamp pipe	2	



1,700-119-10

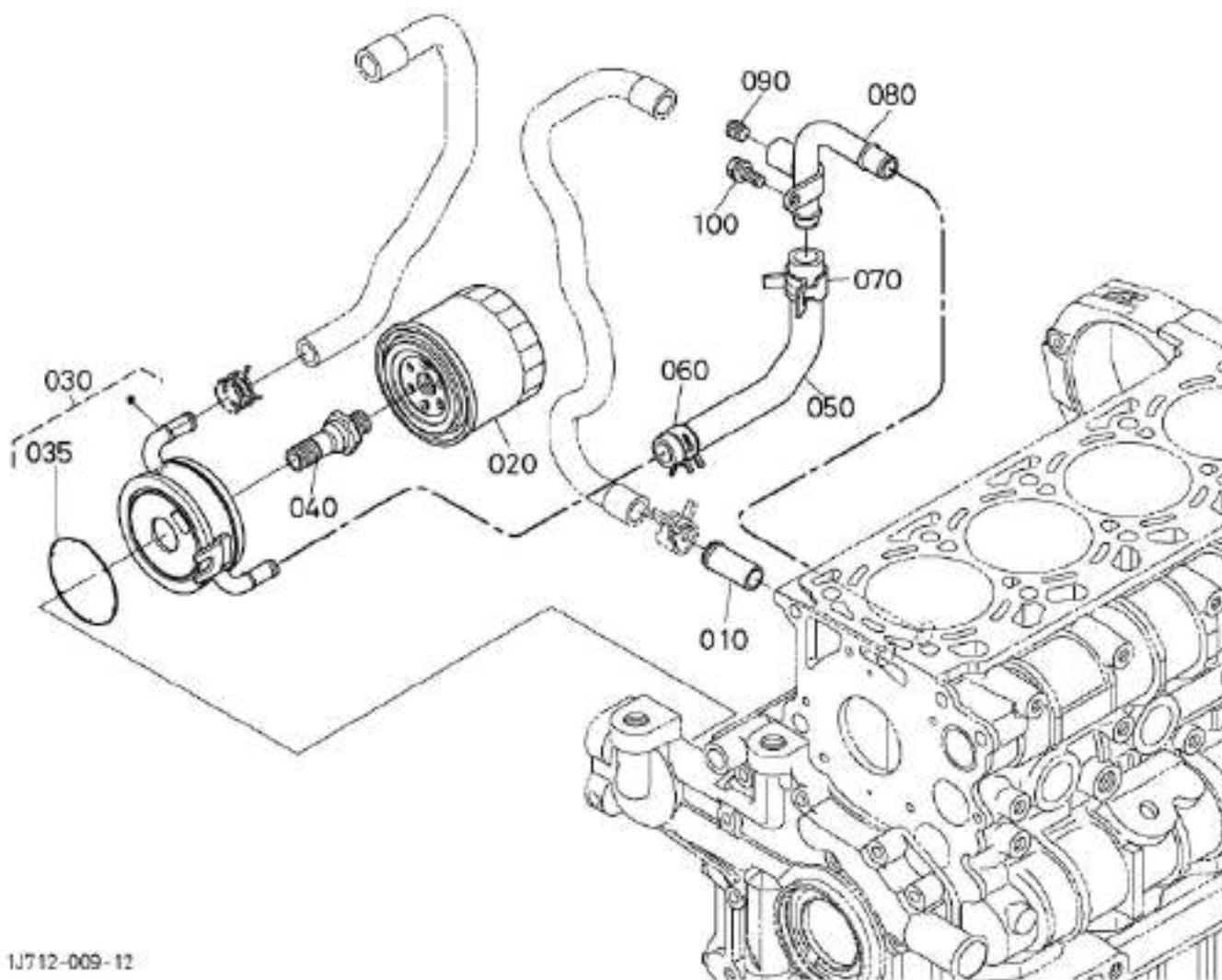


No.	Part No.	Description	Qty	Page number
10	60220043	ASSY TURBO CHARGER	1	
15	60220029	ASSY HOSE	1	
20	60220042	GASKET,TURBO CHARGER	1	
30	60218848	bolt stud	4	
40	60219998	NUT WITH LOCK WASHER	4	
60	60220046	FLANGE,MUFFLER	1	
70	60220047	GASKET,MUFFLER FLAN.	1	
80	60219999	BOLT,SEMS	4	
90	60220002	BOLT	1	
100	60219985	HOSE,INLET	1	
110	60220028	CLIP,HOSE	1	
120	60220027	CLAMP,HOSE	1	
130	61008863	Flange,inlet	1	
140	60124546	BOLT	2	
150	60219927	O RING	1	



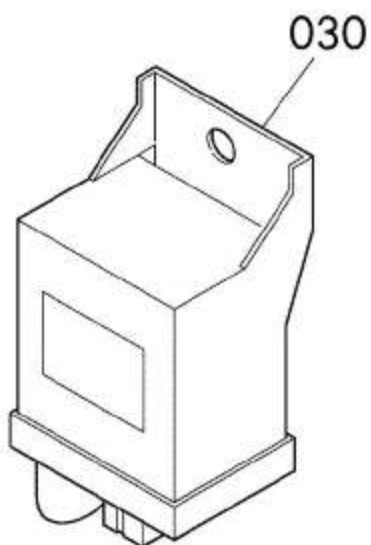
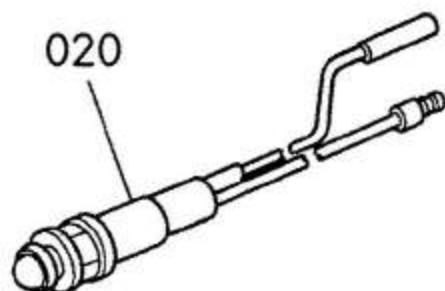
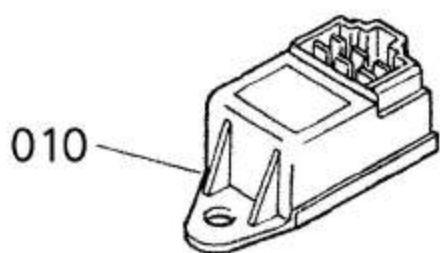
1J712-008-14

No.	Part No.	Description	Qty	Page number
10	60220053	COMP.PIPE,OIL	1	
20	60219976	BOLT,EYE JOINT	1	
30	60218908	gasket	1	
40	60220054	COMP.PIPE,OIL	1	
50	60219943	GASKET	1	
60	60219614	BOLT,FLANGE	2	
70	60220052	TUBE(OIL)	1	
80	60308572	clamp hose	2	
100	60219972	CLAMP,PIPE	1	
110	60124495	PIPE WATER RETURN	1	
120	60218856	gasket	1	
130	60219982	BOLT,JOINT	1	



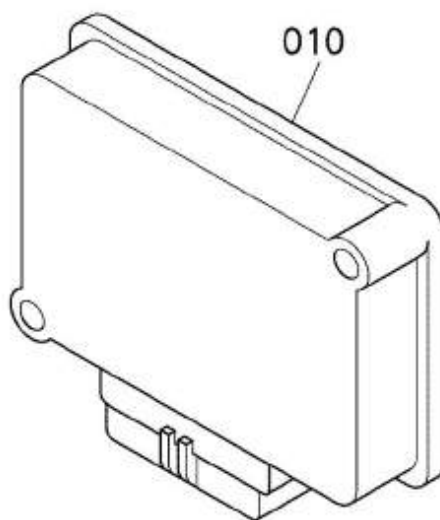
1J712-009-12

No.	Part No.	Description	Qty	Page number
10	60124645	JOINT BREATHER PIPE	1	
20	60141817	Engine oil filter element	1	
30	60219979	ASSY COOLER,OIL	1	
35	60219929	O RING	1	
40	60219989	CONNECTOR	1	
50	60219977	PIPE,OIL COOLER	1	
60	60219496	BAND,HOSE	1	
70	60220026	CLAMP,HOSE	1	
80	60219970	PIPE,DRAIN	1	
90	60220030	PLUG	1	
100	60219558	BOLT,FLANGE	1	



1J700-095-10

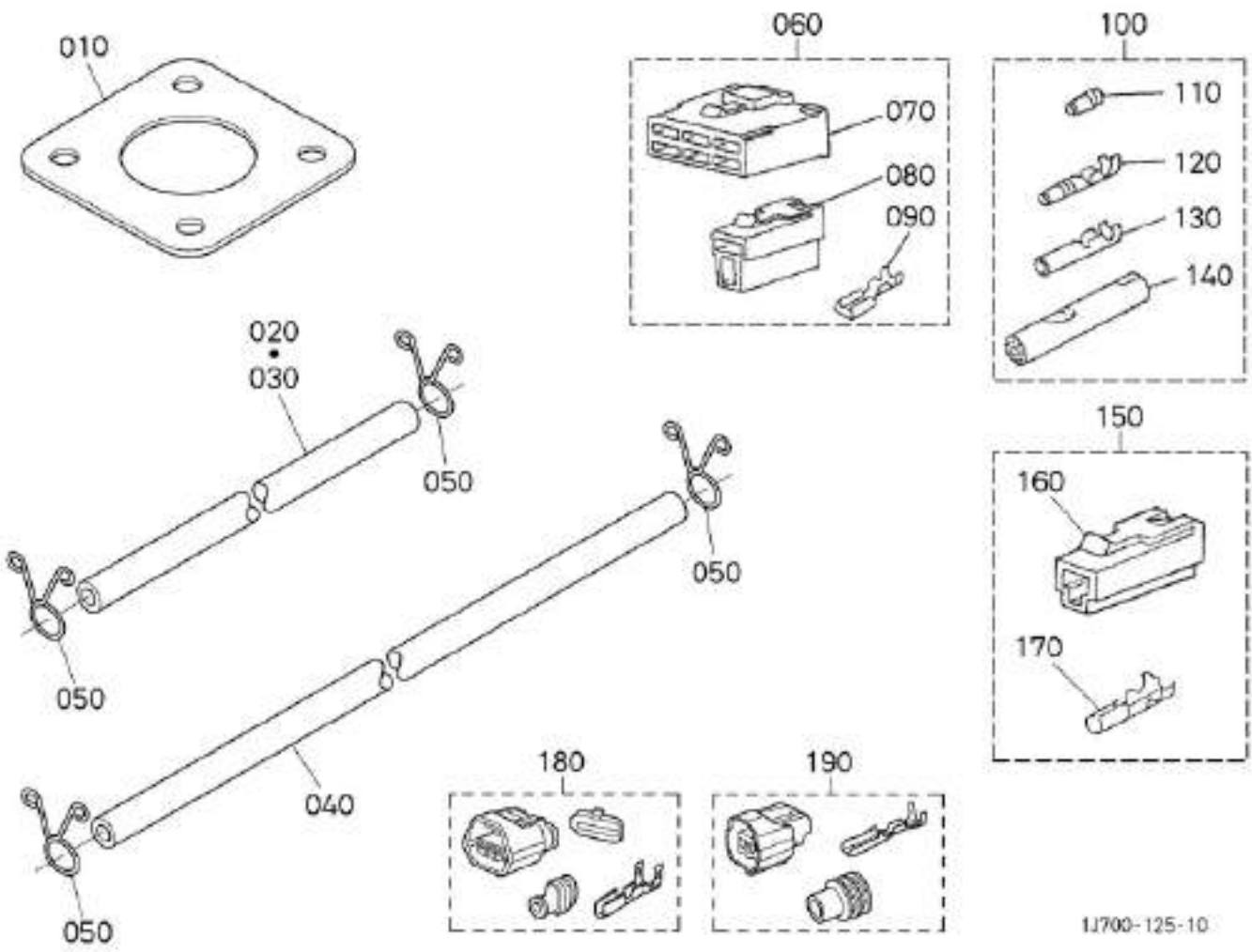
No.	Part No.	Description	Qty	Page number
10	60219938	TIMER(GLOW LAMP)	1	
20	60220059	LAMP,INDICATOR	1	
30	60280795	Controller	1	



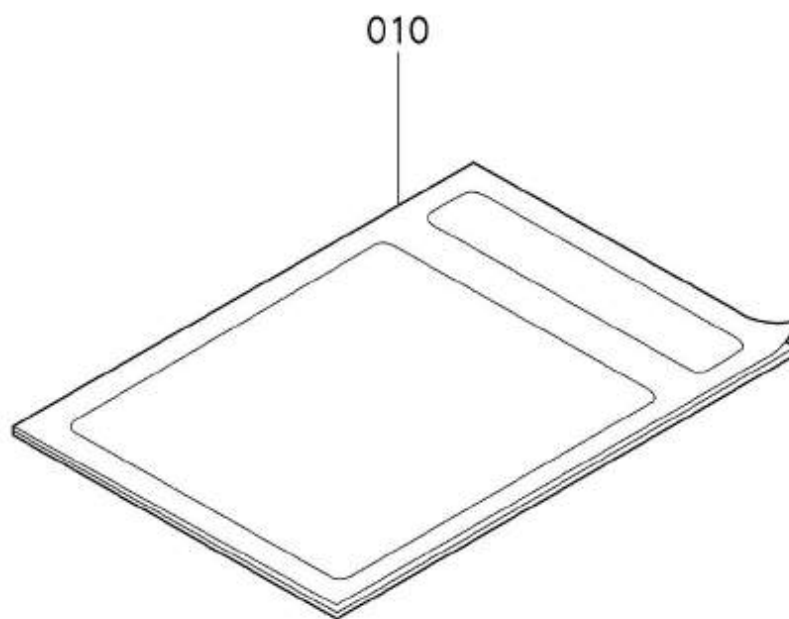
1J700-071-10



No.	Part No.	Description	Qty	Page number
10	61008872	Engine electronic control unit of SY65W	1	

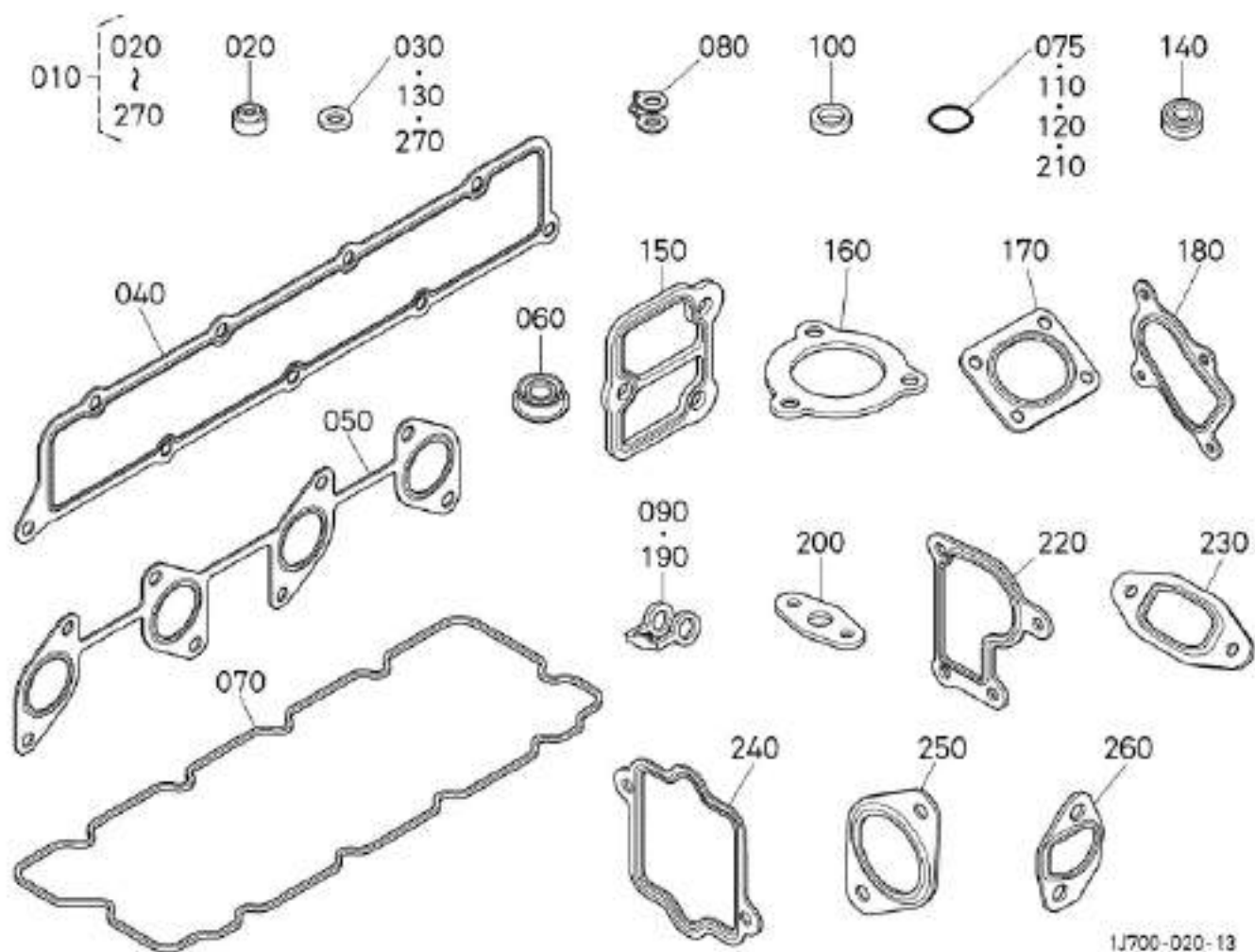


No.	Part No.	Description	Qty	Page number
10	60220045	GASKET,MUFFLER	1	
20	60124623	TUBE FUEL	1	
30	60220017	TUBE,FUEL	2	
40	60218927	tube fuel	1	
50	60124482	CLIP PIPE	8	
60	60219996	ASSY COUPLER	1	
70	60124718	CONNECTOR	1	
80	60219990	CONNECTOR	1	
90	60124713	TERMINAL	7	
100	60219950	ASSY TERMINAL	1	
110	60220040	SLEEVE	1	
120	60219949	TERMINAL	1	
130	60219948	TERMINAL	1	
140	60220039	SLEEVE	1	
150	60219947	TERMINAL	1	
160	60124717	CONNECTOR	1	
170	60124711	TERMINAL	1	
180	60219994	ASSY CONNECTOR	1	
190	60219993	ASSY CONNECTOR	1	

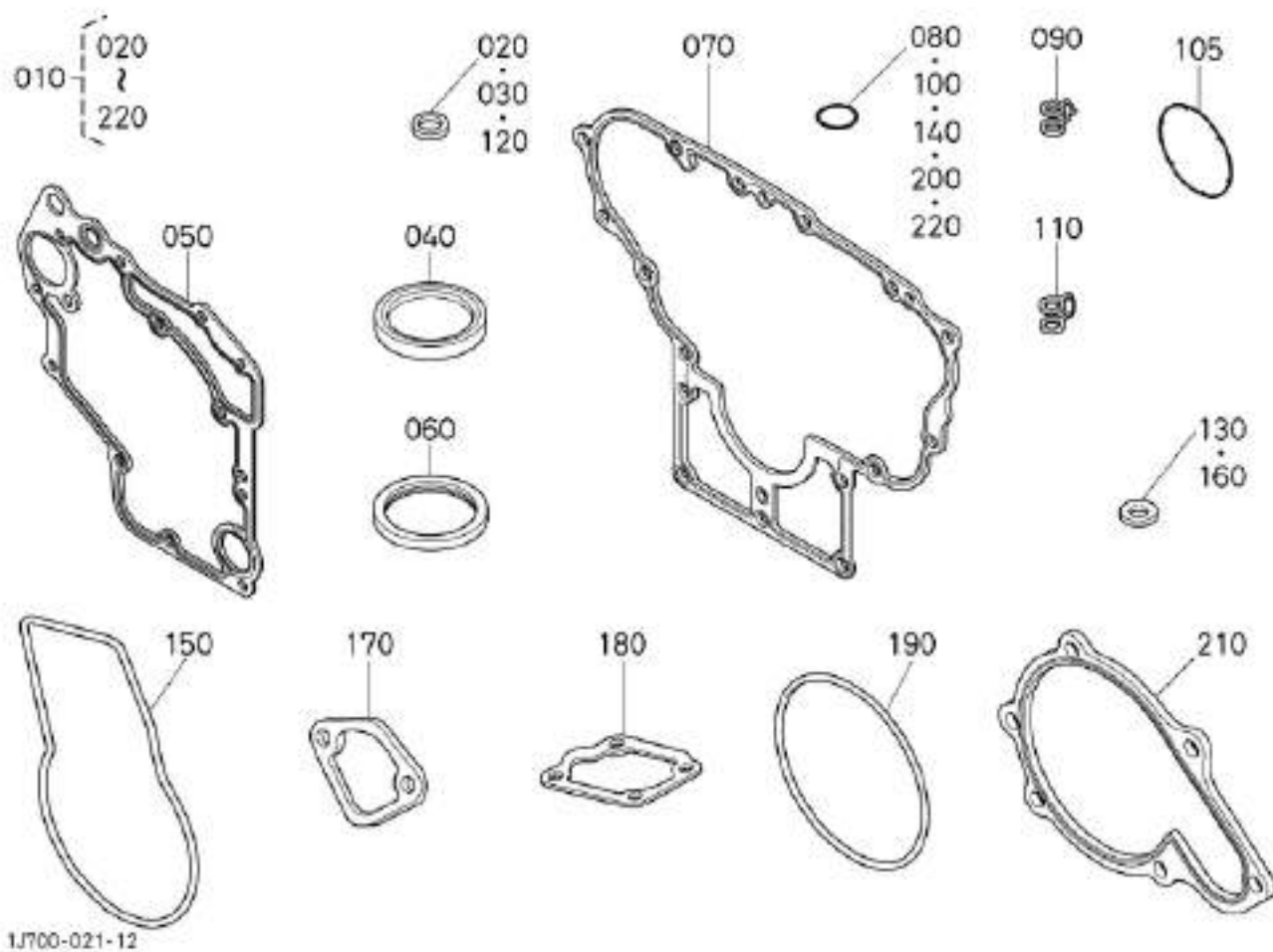


7F482-017-10

No.	Part No.	Description	Qty	Page number
10	60220032	MANUAL,INSTRUCTION	1	

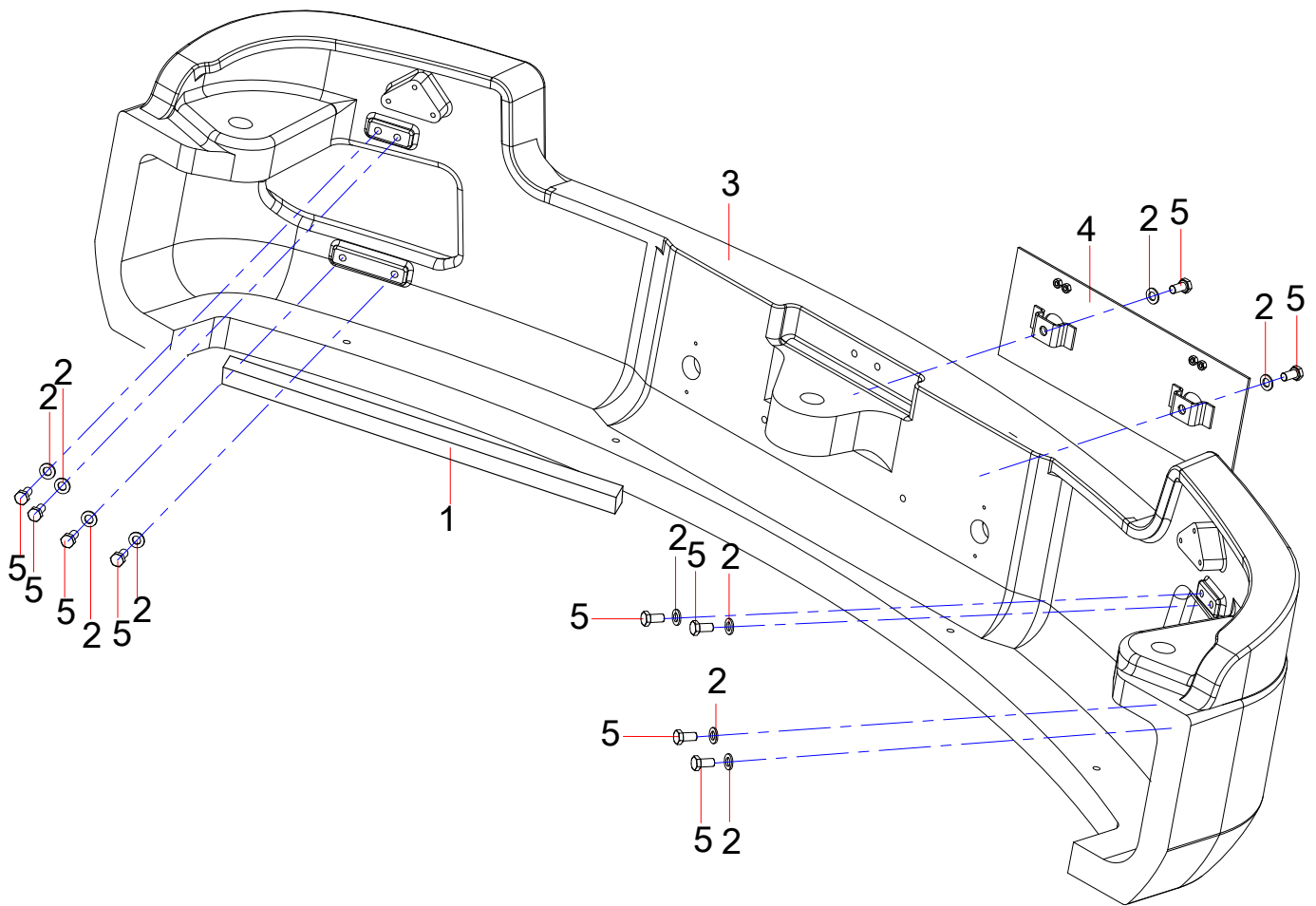


No.	Part No.	Description	Qty	Page number
10	60354231	Kit gasket	1	
20	60219477	SEAL, VALVE STEM	16	
30	60124400	GASKET	1	
40	60219987	GASKET,IN-MANIFOLD	1	
50	60220007	GASKET,EX-MANIFOLD	1	
60	60219503	SEAL,INJECTION PIPE	4	
70	60219501	GASKET,HEAD COVER	1	
75	60124688	O RING	1	
80	60218923	gasket	5	
90	60218926	gasket	1	
100	60354232	Gasket	1	
110	60219928	O RING	4	
120	60218913	o ring	4	
130	60218914	gasket	4	
140	60220057	SEAL,GLOW PLUG	4	
150	60220037	GASKET,WATER FLANGE	2	
160	60220004	GASKET	1	
170	60220042	GASKET,TURBO CHARGER	1	
180	60220047	GASKET,MUFFLER FLAN.	1	
190	60218908	gasket	1	
200	60219943	GASKET	1	
210	60219927	O RING	1	
220	60244611	gasket EGR valve	1	
230	60244610	gasket inlet	1	
240	60244609	gasket EGR valve	1	
250	60244614	gasket EGR cooler	1	
260	60244621	gasket(EGR base)	1	
270	60124399	GASKET	3	

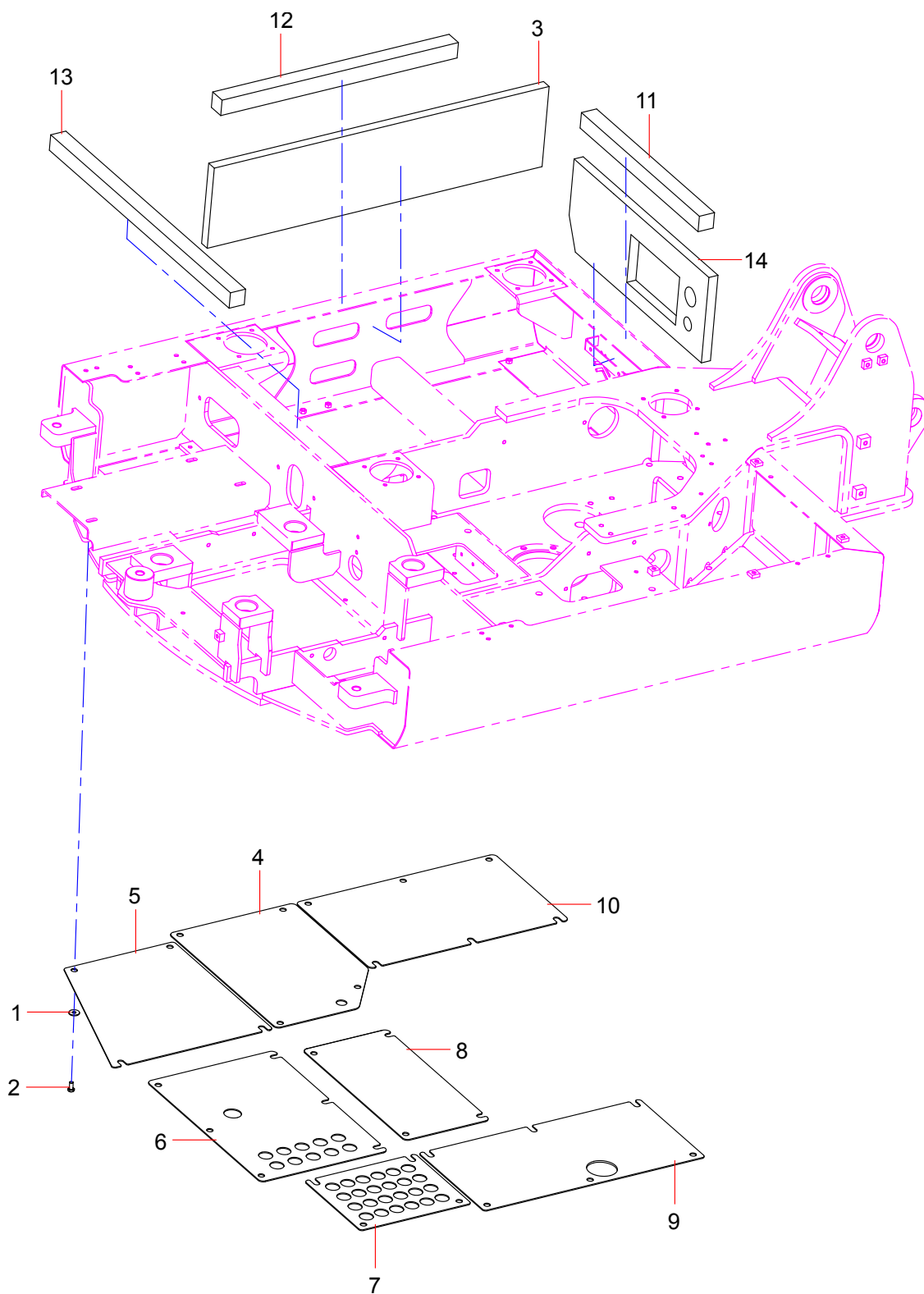




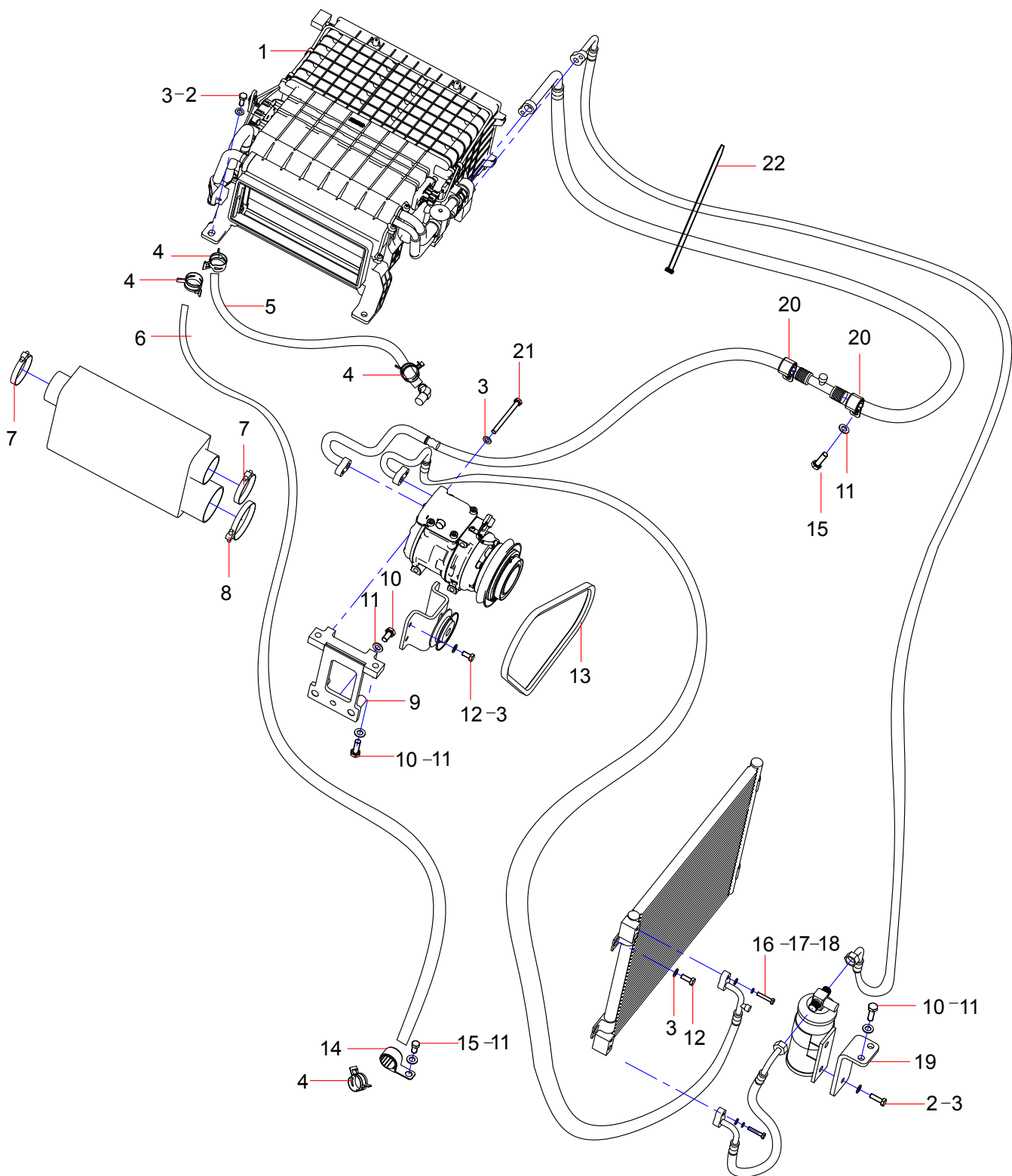
No.	Part No.	Description	Qty	Page number
10	60354233	Kit gasket	1	
20	60124407	GASKET	1	
30	60219508	GASKET	1	
40	60219515	SEAL,OIL	1	
50	60219516	GASKET,FRONT COVER	1	
60	60219569	SEAL,OIL	1	
70	60219571	GASKET,HOUSING	1	
80	60219456	O RING	1	
90	60310091	Gasket	2	
100	60124688	O RING	1	
105	60219929	O RING	1	
110	60218856	gasket	1	
120	60219601	GASKET	2	
130	60124399	GASKET	2	
140	60219622	O-RING	3	
150	60219633	GASKET,GOV.HOUSING	1	
160	60124400	GASKET	4	
170	60124622	GASKET FUEL PUMP	1	
180	60219635	GASKET,PLATE	1	
190	60219586	GASKET,INJ.PUMP	1	
200	60219930	O RING	1	
210	60220035	GASKET,WATER PUMP	1	
220	60354234	O ring	1	



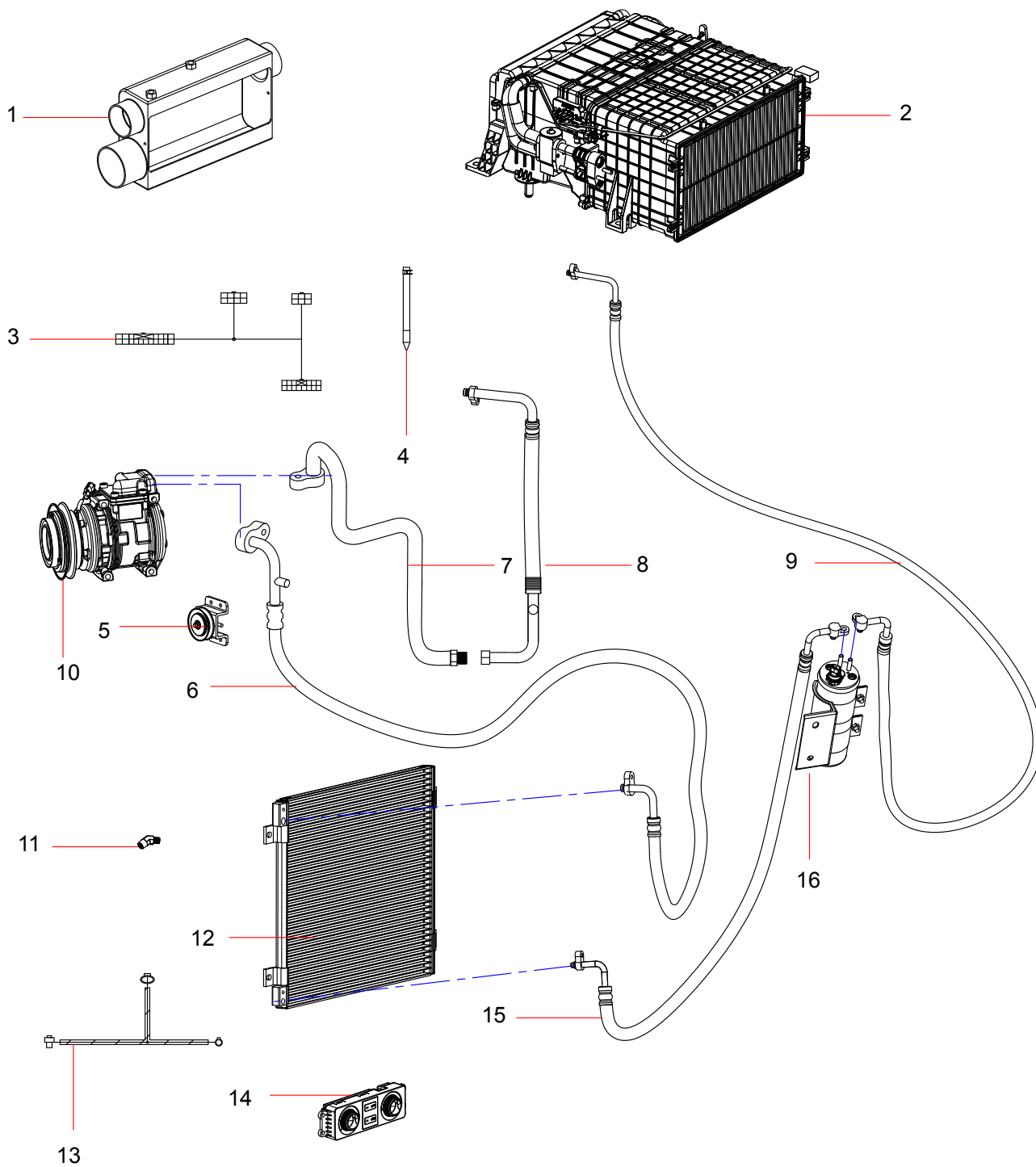
No.	Part No.	Description	Qty	Page number
1	14008486	sponge	1	
2	A210405000011	Washer	10	
3	13388102	counterweight	1	
4	13411574	fix board	1	
5	A210111000011	Bolt	10	



No.	Part No.	Description	Qty	Page number
1	60060546	Washer	34	
2	A210111000197	Bolt	34	
3	10541268	Left Sponge	1	
4	11142073	Sealing board-6	1	
5	12837075	Board	1	
6	13794107	Sealing board-2	1	
7	12837060	Sealing board-4	1	
8	11142068	Sealing board-1	1	
9	11142070	Sealing board-3	1	
10	11142072	Sealing board-5	1	
11	10541179	Front upper sponge	1	
12	10541180	Left Upper sponge	1	
13	10541185	Back sponge	1	
14	12685850	sponge	1	

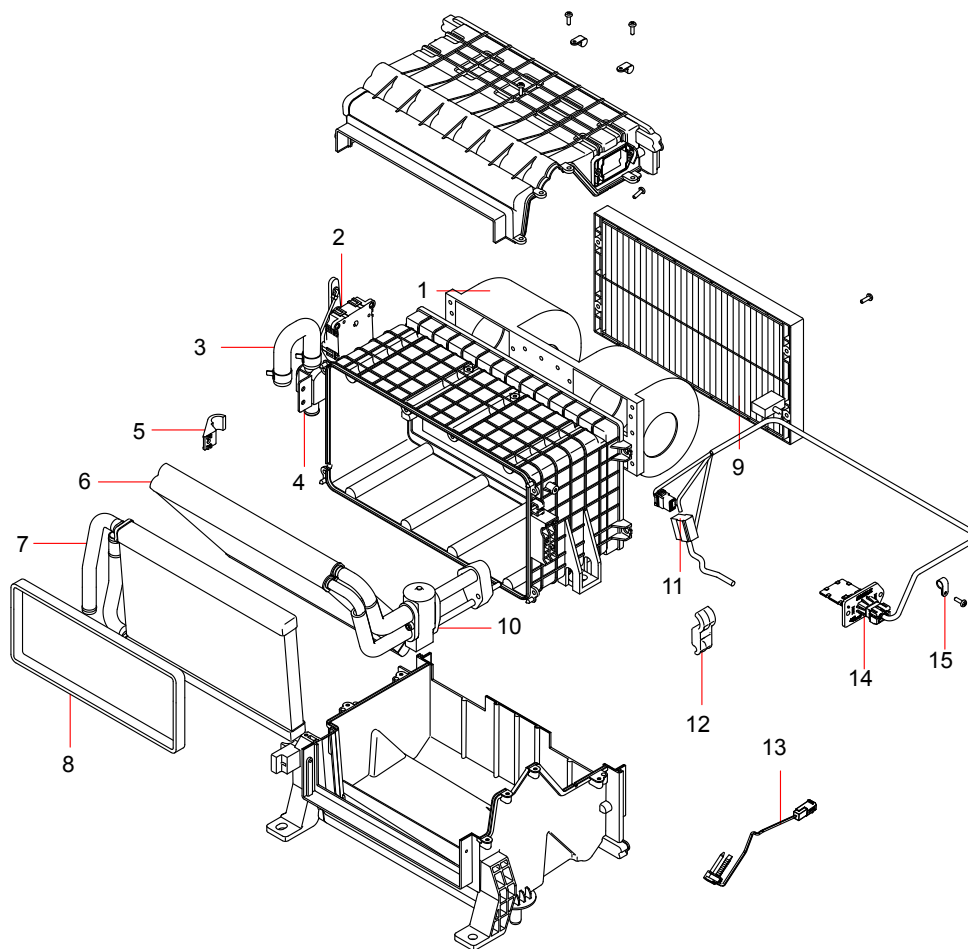


No.	Part No.	Description	Qty	Page number
1	60213361	Air-condition Assy	1	2-282
2	A210111000323	Bolt	6	
3	24000633	Washer	18	
4	60166393	Split flow gear pump	4	
5	11084196	Pipe, cold pipe, air conditioner	1	
6	10448928	Pipe, hot pipe, air conditioner	1	
7	A210855000012	Throat collar	2	
8	A210855000014	Throat Collar	1	
9	12844466	compressor bracket	1	
10	A210111000024	Bolt	5	
11	24000637	Washer	8	
12	A210111000343	Bolt	8	
13	60013968	V-Belt	1	
14	60086356	Clamp	1	
15	A210204000334	Bolt, socket head	3	
16	A210111000082	Bolt	2	
17	60060564	Washer	2	
18	24000632	Washer	2	
19	12879599	Mounting rack for drying bottle	1	
20	60086354	Clamp	2	
21	A210111000098	Bolt	4	
22	A239900000065	Nylon belting	3	





No.	Part No.	Description	Qty	Page number
1	60210925	Duct pienum	1	
2	60213356	Evaporator	2	2-284
3	60210923	Wire harness assy-ext	3	
4	60068273	drainpipe	5	
5	60030552	BRKT ASSY-T/PULLEY MTG	4	
6	60215876	HOSE ASSY-DISCHARGE	14	
7	60238811	HOSE ASSY-SUC-ONE	9	
8	60238812	HOSE ASSY-SUC-TWO	8	
9	60291408	Hose pipe liq no2	7	
10	60013770	Compressor	10	
11	60056554	Hot water adaptor	11	
12	60013771	Condenser	13	
13	60215894	Wire harness assy-ext	12	
14	60213152	CONTROL UNIT	6	
15	60291409	Hose pipe liq no1	15	
16	60242103	RECEIVER DRIER ASSY	16	

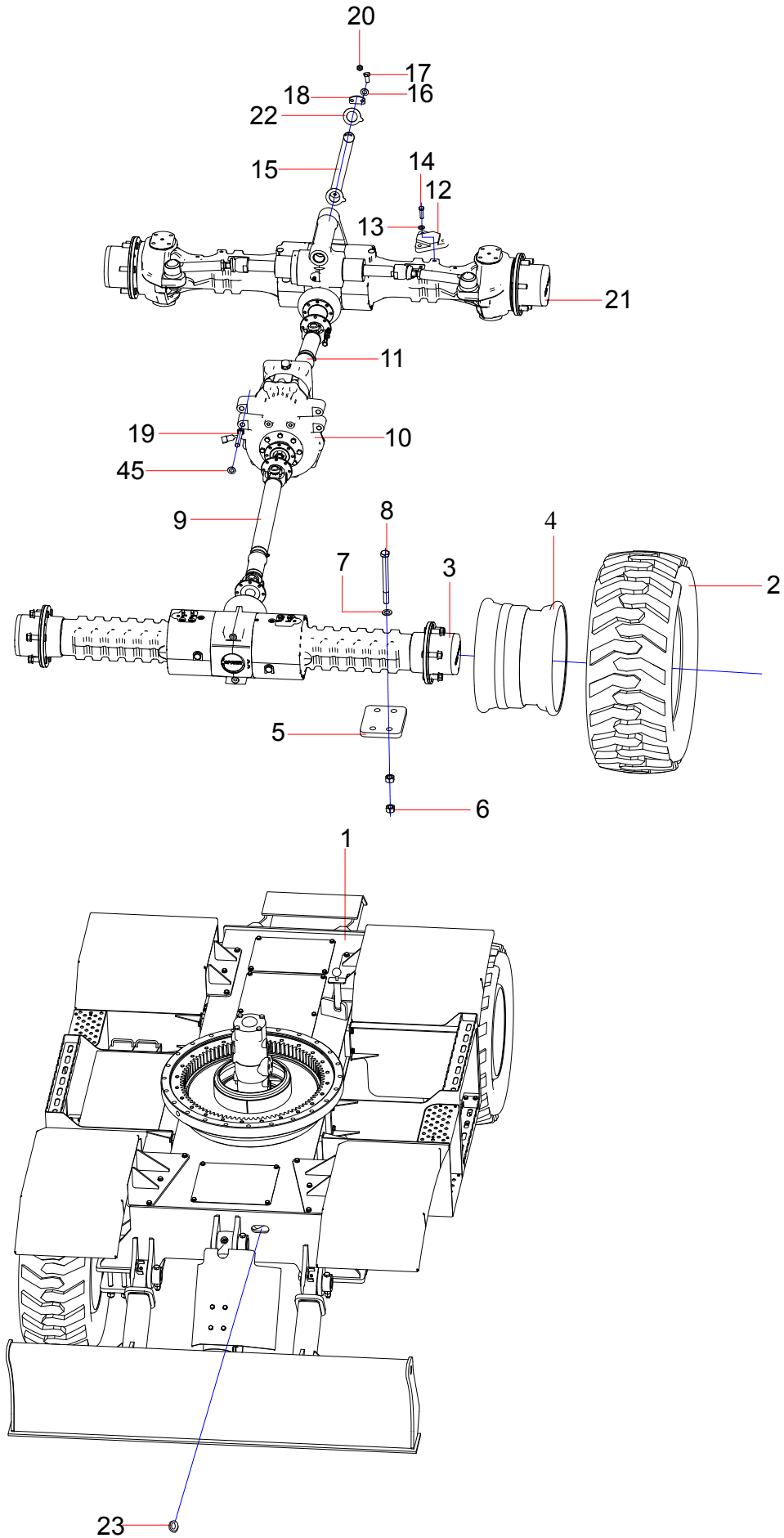


No.	Part No.	Description	Qty	Page number
1	60216322	blower motor assy	1	
2	60215879	actuator assy	1	
3	60215893	hose-hrt in	1	
4	60215892	vavle assy	1	
5	60215885	clip-htr pipe	1	
6	60215882	evaporator assy	1	
7	60215883	Heater core assy	1	
8	60091505	SEAL-DUCT	1	
9	60215889	filter	1	
10	60068270	Expantion valve	1	
11	60210924	WIRE HARNESS ASSY-EXT	1	
12	60215887	clip-evap pipe	1	
13	60190276	SENSOR ASS`Y-EVAP	1	
14	60215891	resistor assy	1	
15	60215890	clip	5	

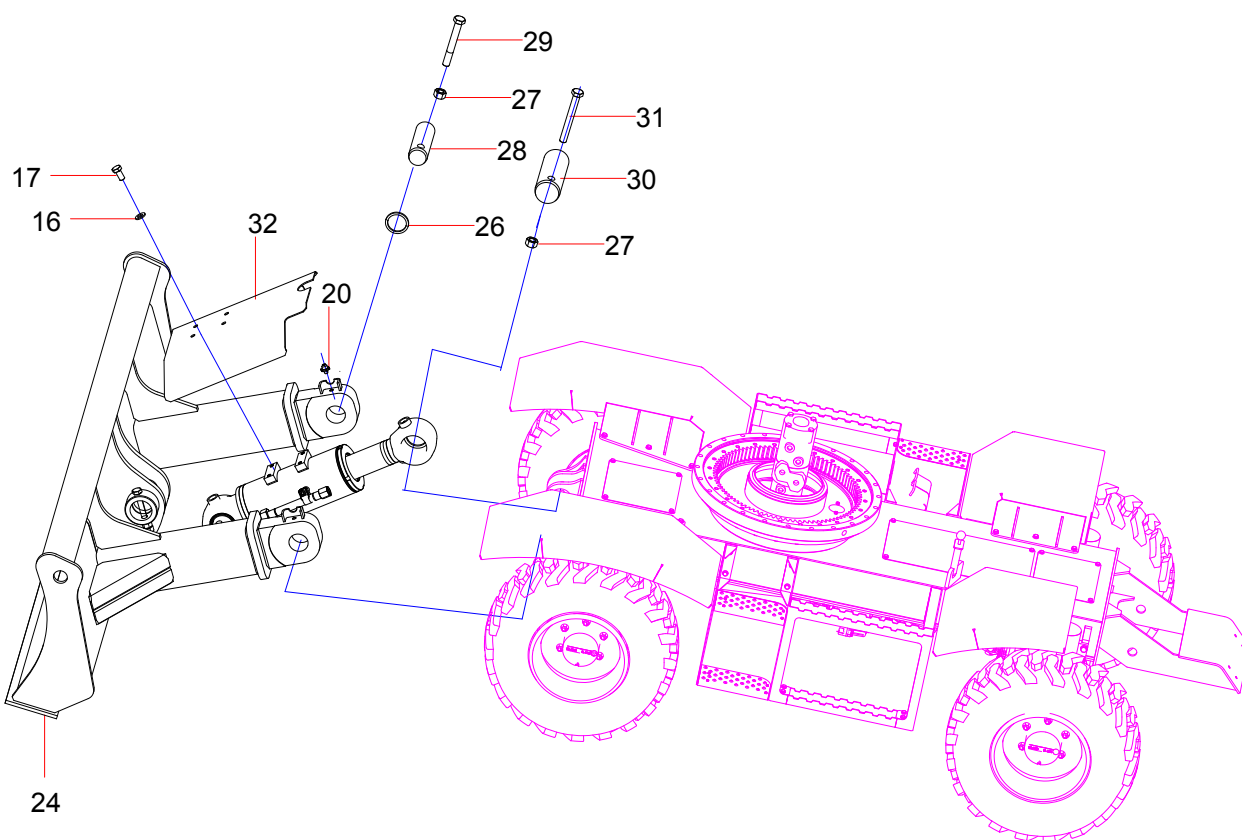
BLANK PAGE

# Group 3

## Walking device

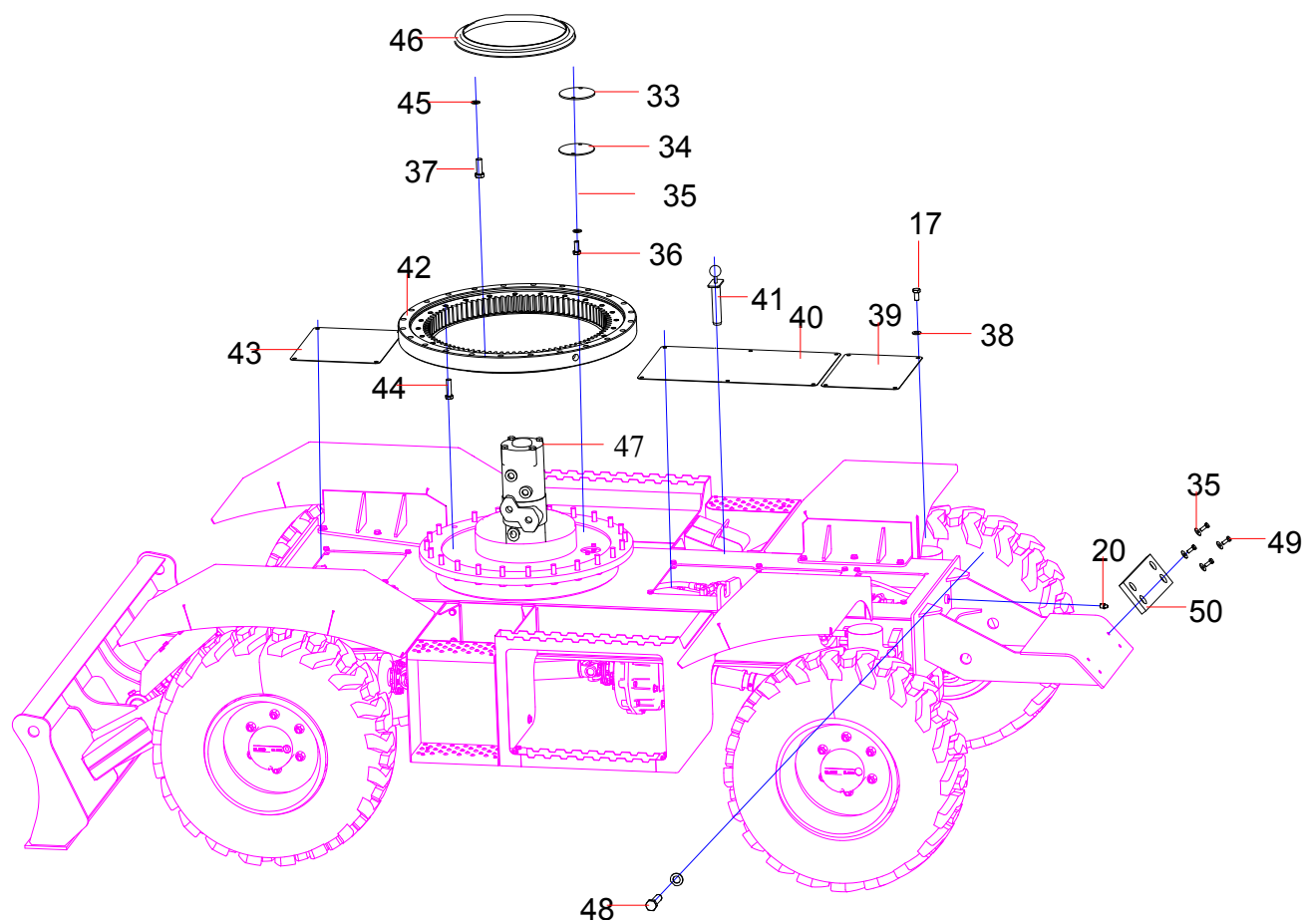


No.	Part No.	Description	Qty	Page number
1	13400695	Main frame	1	
2	60256192	Tyre	4	
3	60253612	Rear axle	1	
4	60256193	Rim	4	
5	13403223	Access board	2	
6	A210307000029	Nut	16	
7	A210406000014	Plain washer	8	
8	A210110000317	Bolt	8	
9	60253615	Transmission shaft	1	
10	60253613	Hydrostatic power shift transmission	1	3-10
11	60253614	Transmission shaft	1	
12	13403225	Supporting plate	2	
13	21001334	Washer	34	
14	24000303	Bolt	6	
15	13377180	shaft	1	
16	21001328	Washer	10	
17	A210111000011	Bolt	12	
18	13409655	Plate	1	
19	A210111000347	Bolt	4	
20	A210804000002	Adaptor, Grease	4	
21	60253611	Front steering drive axle	1	
22	13063804	Spacer	2	
23	11225692	Protective sleeve	3	
45	21001338	Washer	16	

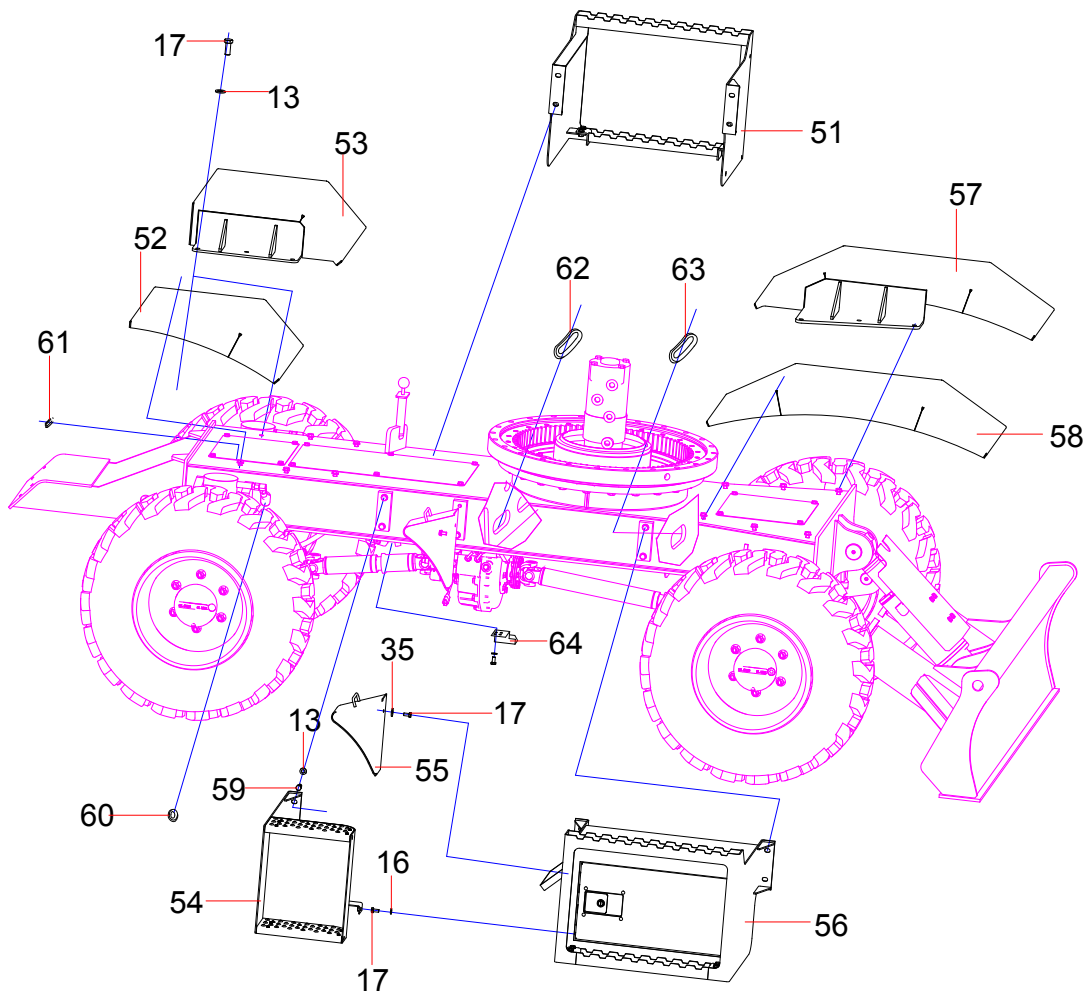




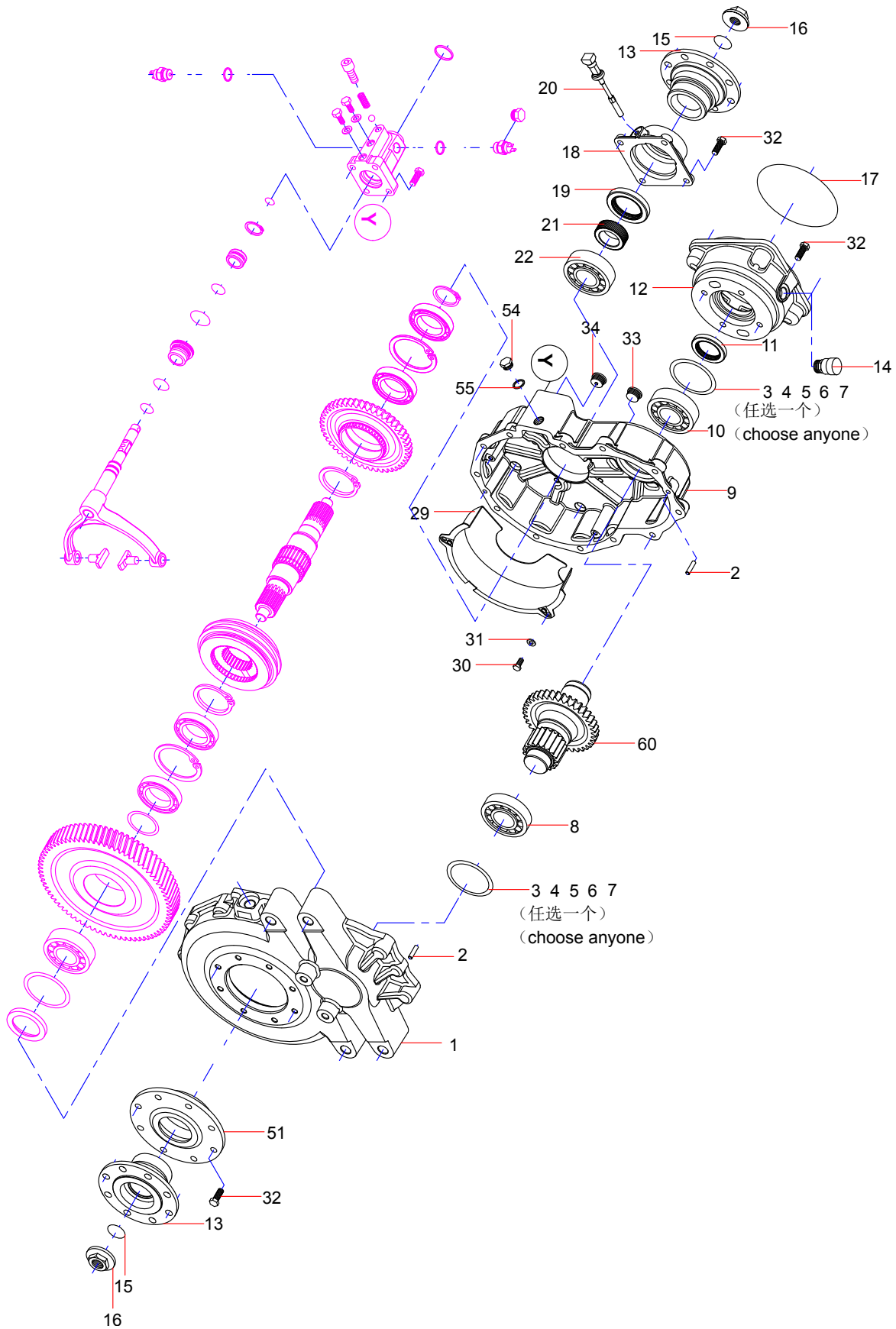
No.	Part No.	Description	Qty	Page number
16	21001328	Washer	10	
17	A210111000011	Bolt	12	
24	SSY004737772	Bulldozing shovel assem	1	3-14
26	A230101000323	seal ring	4	
27	A210307000028	Nut	8	
28	10541977	Lock pin	2	
29	23002093	Bolt	2	
30	10541978	Lock pin	2	
31	21050508	Bolt	2	
32	13395956	Cover board	1	



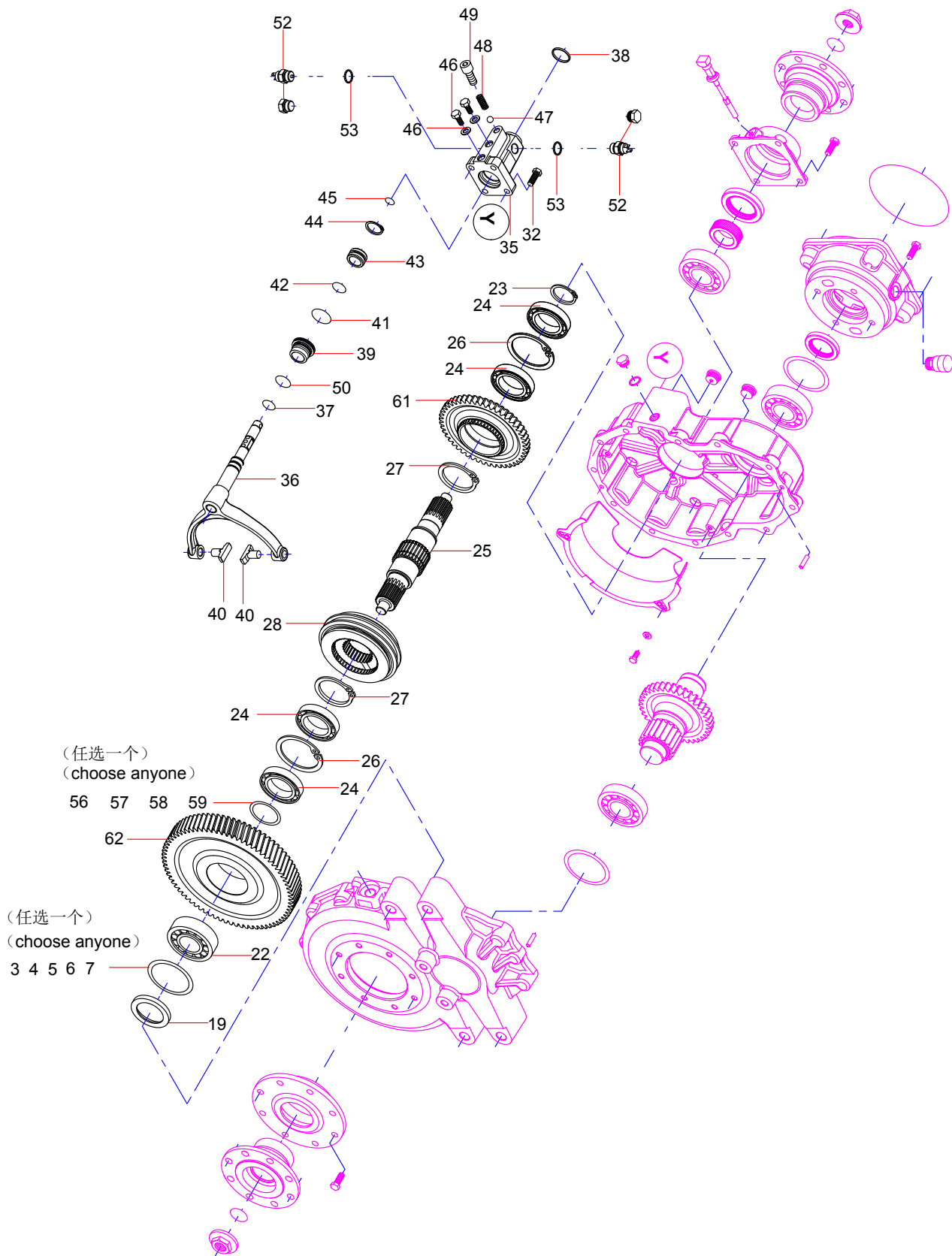
No.	Part No.	Description	Qty	Page number
17	A210111000011	Bolt	12	
20	A210804000002	Adaptor, Grease	4	
33	A820101343429	Shim	1	
34	A820101343428	Cover Plate	1	
35	A210404000003	Washer	6	
36	A210111000089	Bolt	16	
37	A210111000106	Bolt	4	
38	A210405000007	Washer	16	
39	13403255	Access board	1	
40	13403252	Access board	1	
41	13409208	Fixed pin shaft	1	
42	11309667	Slewing Ring	1	3-16
43	13403251	Access board	1	
44	A210111000055	Bolt	24	
45	21001338	Washer	16	
46	13409691	Upper seal ring	1	
47	13403779	hydraulic underage drawing	1	3-18
48	A210111000056	Bolt	8	
49	A210111000197	Bolt	32	
50	13415843	Damplng plate	1	



No.	Part No.	Description	Qty	Page number
13	21001334	Washer	34	
16	21001328	Washer	10	
17	A210111000011	Bolt	12	
35	A210404000003	Washer	6	
51	13374714	Footplate	1	
52	14150206	Mudguard	1	
53	14150240	Mudguard	1	
54	13375357	Footplate	2	
55	13403547	tire cushion block	2	
56	13374198	Toolbox	1	3-34
57	14150311	Mudguard	1	
58	14150268	Mudguard	1	
59	A210111000202	Bolt	28	
60	11133774	Protective Sleeve	4	
61	12085734	Jacket	2	
62	11138562	Rubber retainer	2	
63	11133805	Protective Sleeve	1	
64	13875571	transmission protective plate	1	

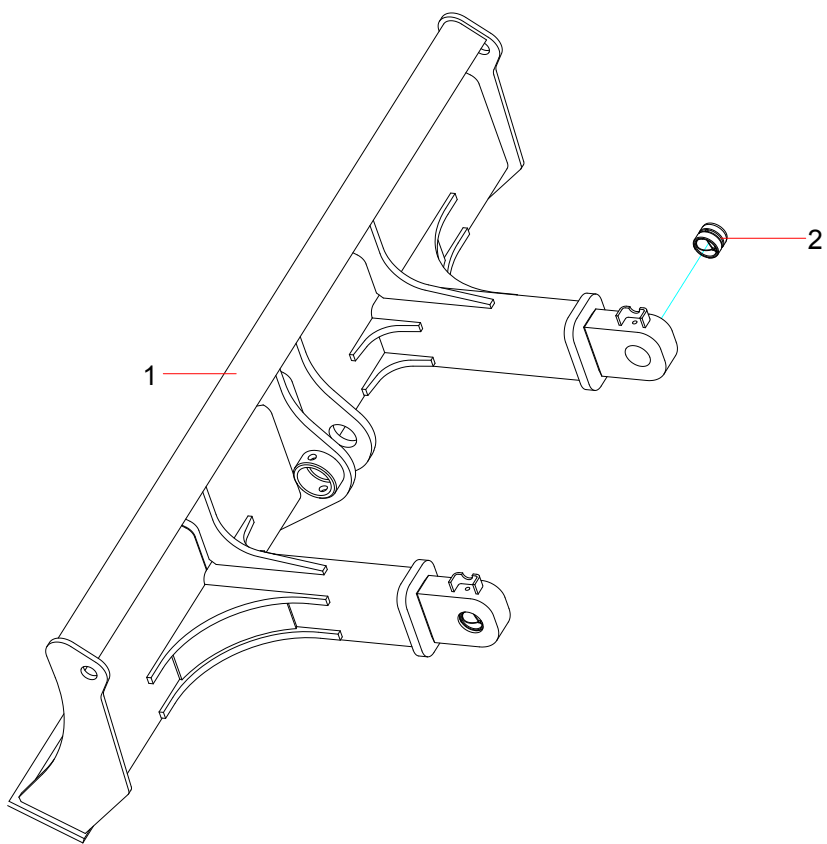


No.	Part No.	Description	Qty	Page number
1	60320619	Housing	1	
2	60320620	Dowel	2	
3	60320621	Shim	1	
4	60320622	Shim	1	
5	60320623	Shim	1	
6	60320624	Shim	1	
7	60320625	Shim	1	
8	60320626	Ball bearing	1	
9	60320627	Cover	1	
10	60320628	Ball bearing	1	
11	60320629	Seal	1	
12	60320630	Cover	1	
13	60320631	Flange	2	
14	60320632	Vent	1	
15	60320633	O - ring	2	
16	60320634	Nut	2	
17	60320635	O - ring	1	
18	60320636	Cover	1	
19	B230101000223	Ring,seal	2	
20	60320637	Electronic sensor	1	
21	60320638	Phonic wheel	1	
22	60320639	Ball bearing	2	
29	60320646	Sheet	1	
30	60320647	Hexagon bolt	2	
31	60320648	Lock washer	2	
32	60320649	Bolt	32	
33	60320650	Plug	1	
34	60320651	Magnetic plug	1	
51	60320668	Cover	1	
54	60320671	Bolt	1	
55	60320672	Washer	1	
60	60320676	Input shaft	1	

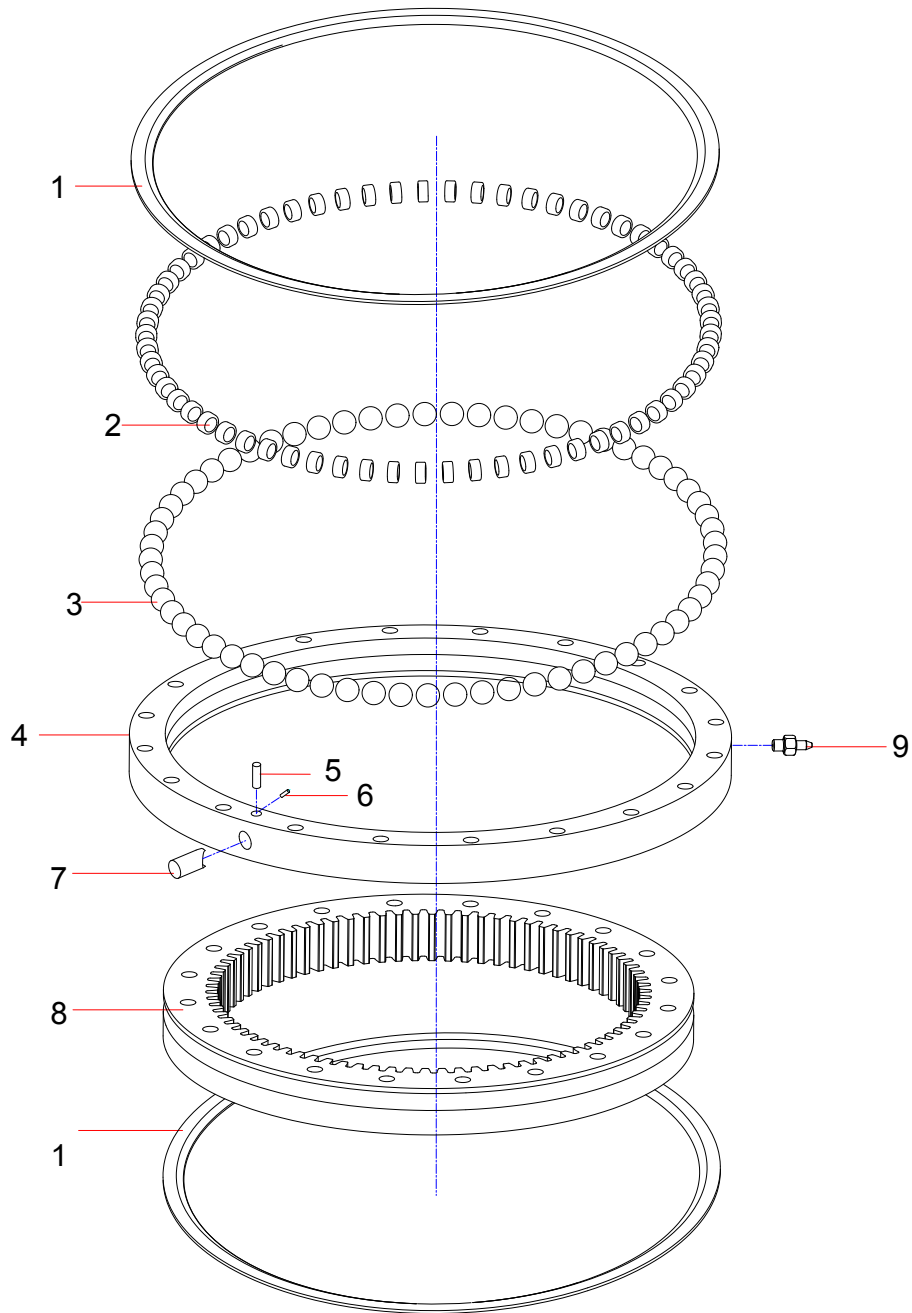




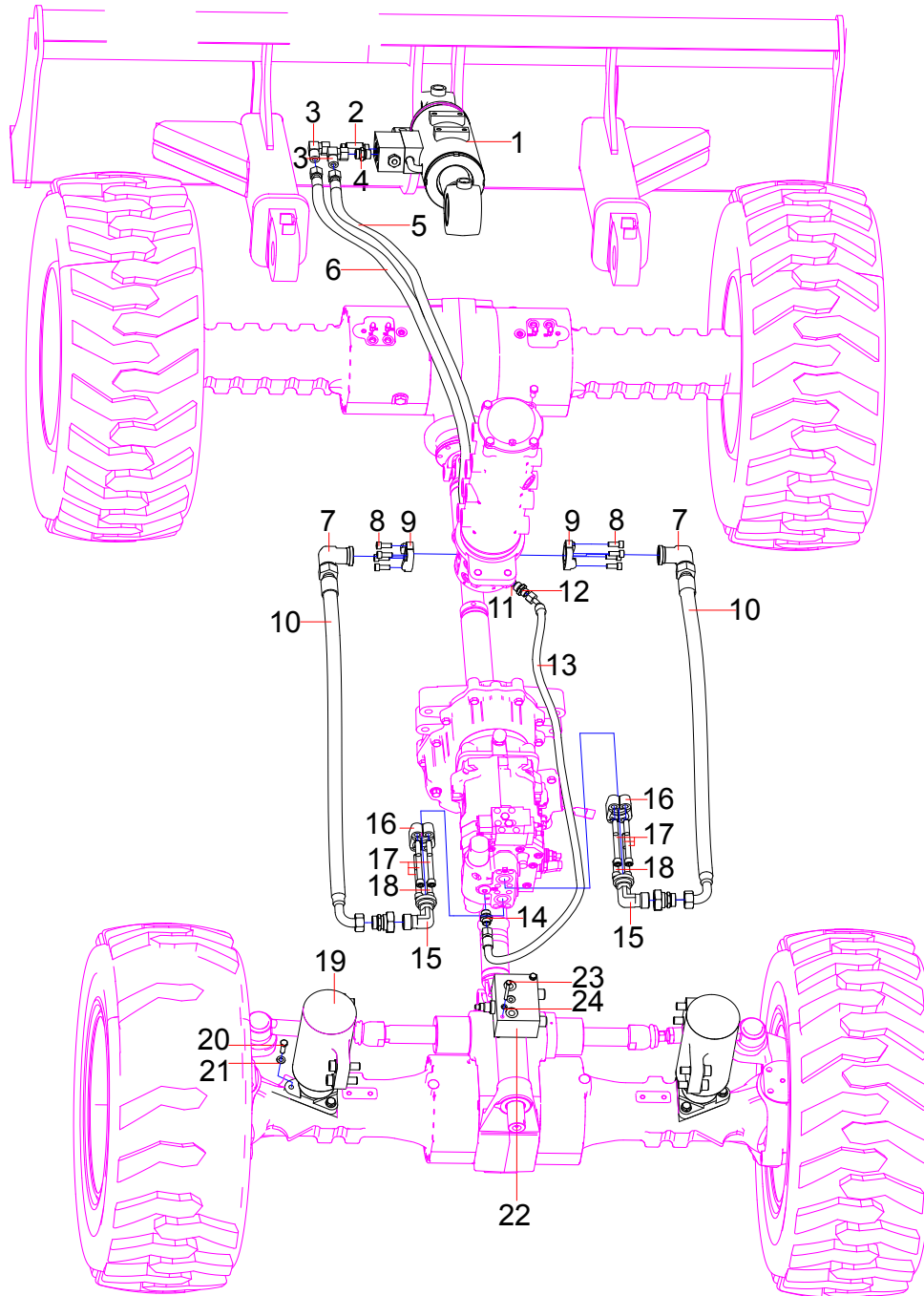
No.	Part No.	Description	Qty	Page number
3	60320621	Shim	1	
4	60320622	Shim	1	
5	60320623	Shim	1	
6	60320624	Shim	1	
7	60320625	Shim	1	
19	B230101000223	Ring,seal	2	
22	60320639	Ball bearing	2	
23	60320640	Circlip	1	
24	60320641	Ball bearing	4	
25	60320642	Output shaft	1	
26	60320643	Circlip	2	
27	60320644	Circlip	2	
28	60320645	Synchronizer	1	
32	60320649	Bolt	32	
35	60320652	Cylinder	1	
36	60320653	Selector shaft	1	
37	60320654	O - ring	1	
38	60320655	Seal	1	
39	60320656	Reduction bushing	1	
40	60320657	Sliding pin	2	
41	60320658	O - ring	1	
42	60320659	O - ring	1	
43	60320660	Piston	1	
44	60320661	Circlip	2	
45	60320662	O - ring	2	
46	60320663	Plug	2	
47	60320664	Detend ball	1	
48	60320665	Spring	1	
49	60320666	Grub bolt	1	
50	60320667	O - Ring	1	
52	60320669	Security switch	2	
53	60320670	Seal washer	1	
56	B230102000023	Spacer	1	
57	B229900000701	Spacer	2	
58	60320673	Shim	3	
59	B229900000702	Spacer	4	
61	60320677	Gear	1	
62	60320678	Gear	1	



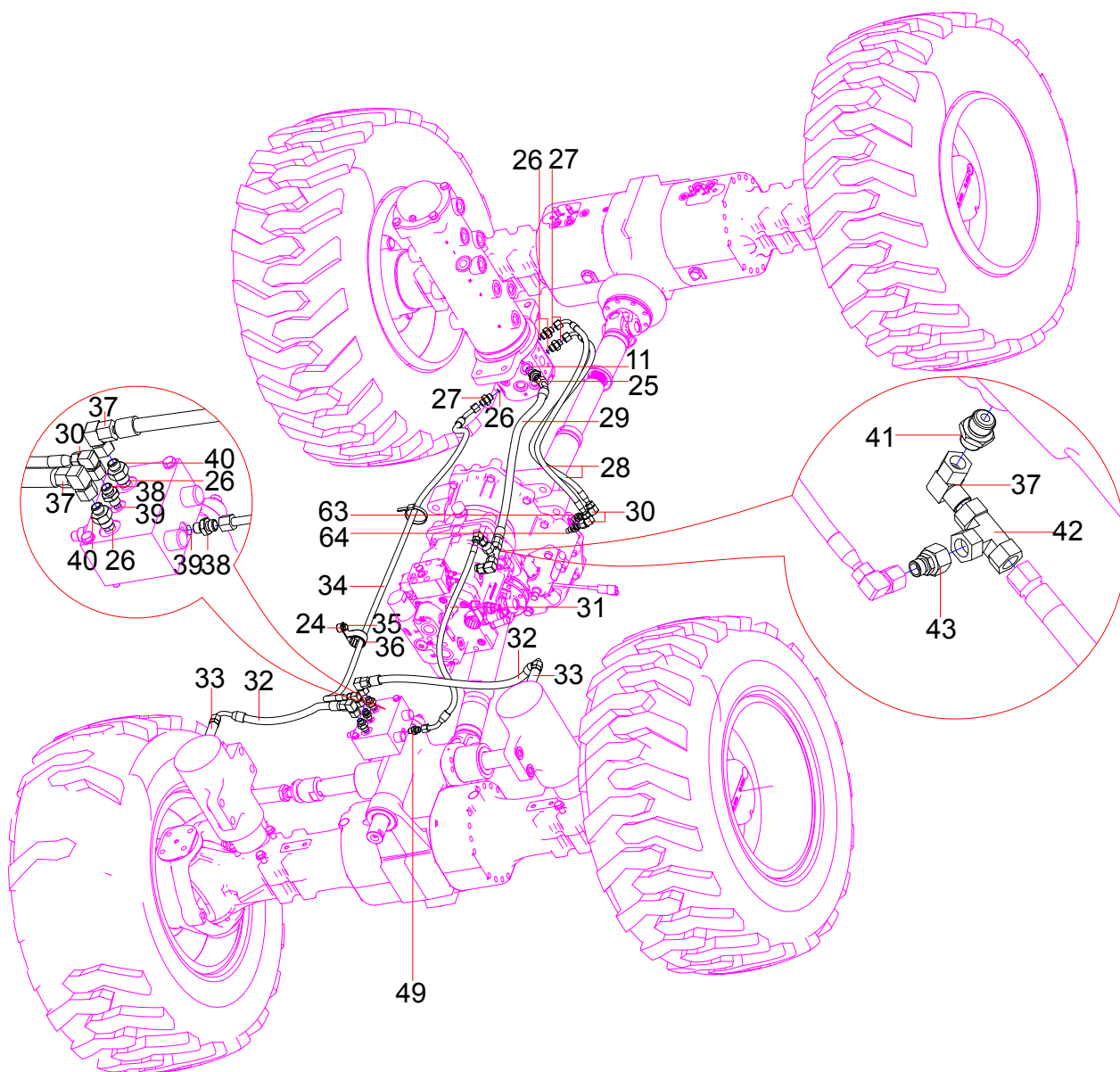
No.	Part No.	Description	Qty	Page number
1	SSY004729739	Bucket	1	
2	A820208000293	Bushing	2	



No.	Part No.	Description	Qty	Page number
1	60199495	Seal strip	2	
2	60041809	Spherical separators	89	
3	60041792	Steel balls	89	
4	11309665	Outside Circle	1	
5	60047540	circular taper pin with inner screw thre	1	
6	60012591	Pin	1	
7	11309666	Plug	1	
8	11309664	Inside Circle	1	
9	A229900010158	Fitting, grease	2	

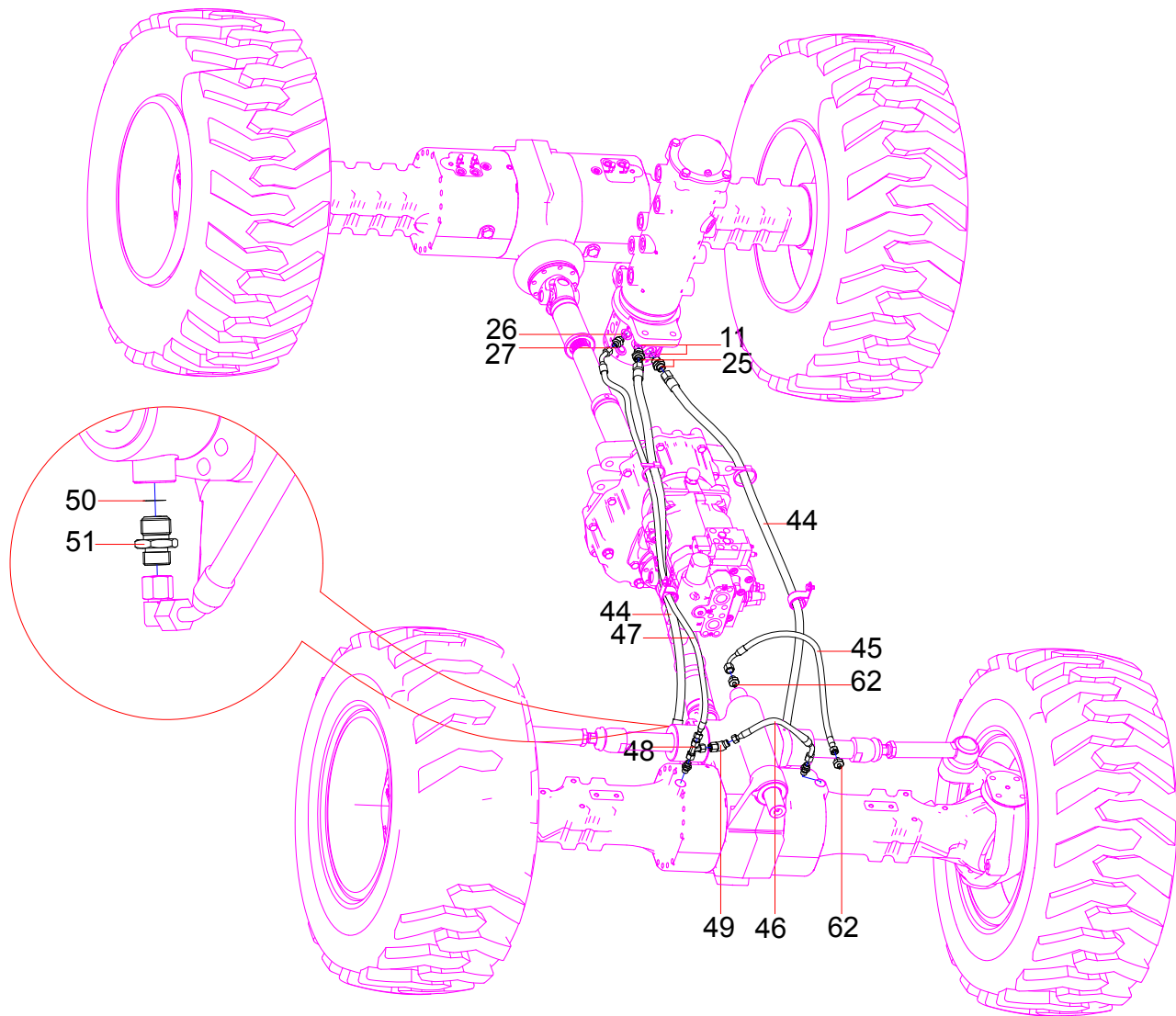


No.	Part No.	Description	Qty	Page number
1	13377345	Bulldozing shovel oil cylinder	1	
2	11147279	G1/2(ED)-M22-L65 connector	1	
3	B210780000025	Fitting, Elbow	2	
4	B210780000043	Connector, Pipe	1	
5	151005160015	Hose	1	
6	151005160014	Hose	1	
7	13430187	joint	2	
8	23000066	Screw	8	
9	B210780000244	Flange, Split	4	
10	60262789	RubberHose	2	
11	B230101000090	O-Ring	6	
12	A820205000843	Fitting	3	
13	60236758	rubber hose	1	
14	B210780000041	Connector, Pipe	1	
15	A229900003381	Fitting, Elbow	2	
16	B210780000004	Flange, Split	4	
17	A210204000455	Screw	6	
18	A210204000338	Screw	2	
19	13376728	Floating Oil Cylinder	2	
20	A210204000312	Screw	8	
21	A210491000118	Washer	8	
22	60258967	balanced cylinder valve group	1	3-26
23	A210108000097	Bolt	2	
24	24000633	Washer	8	

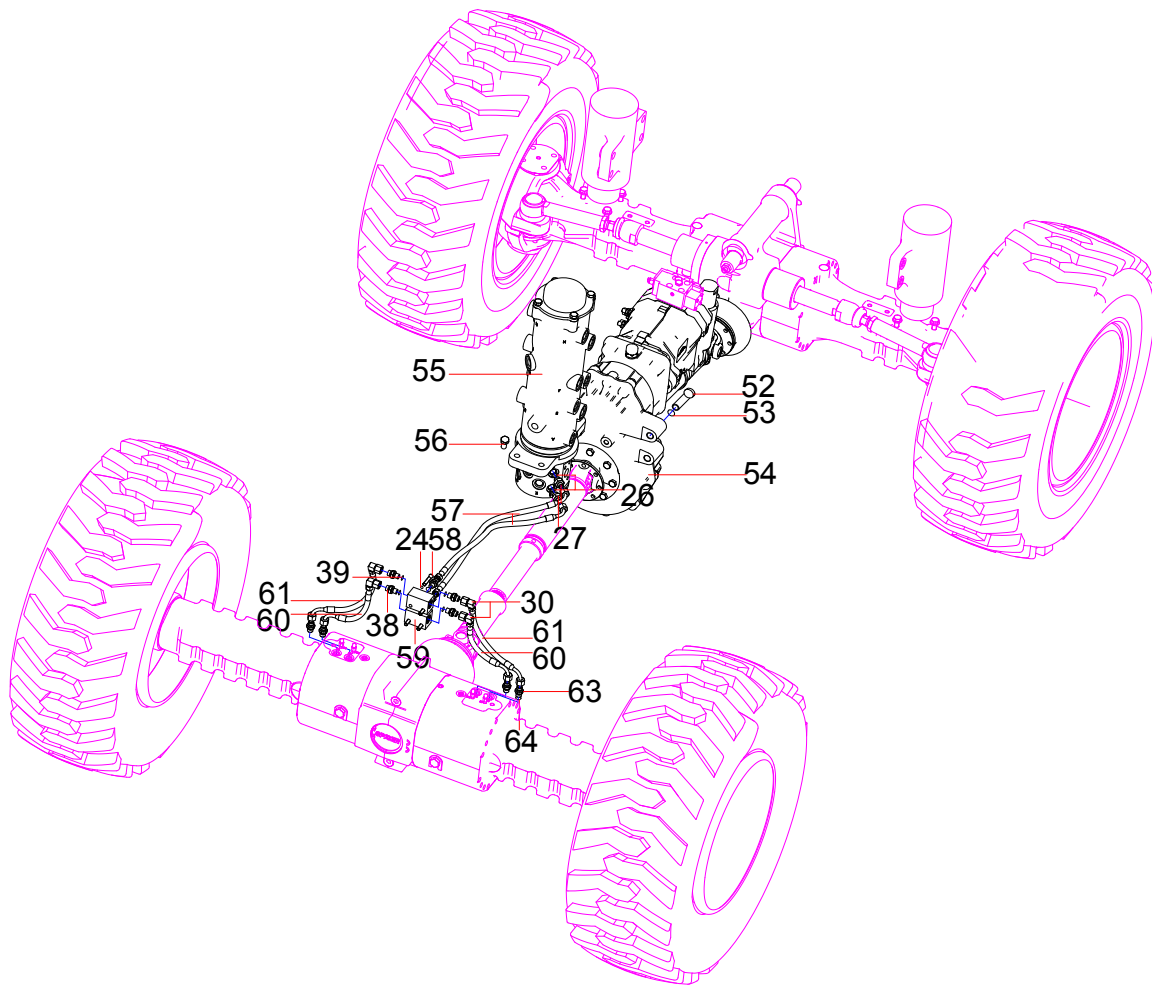




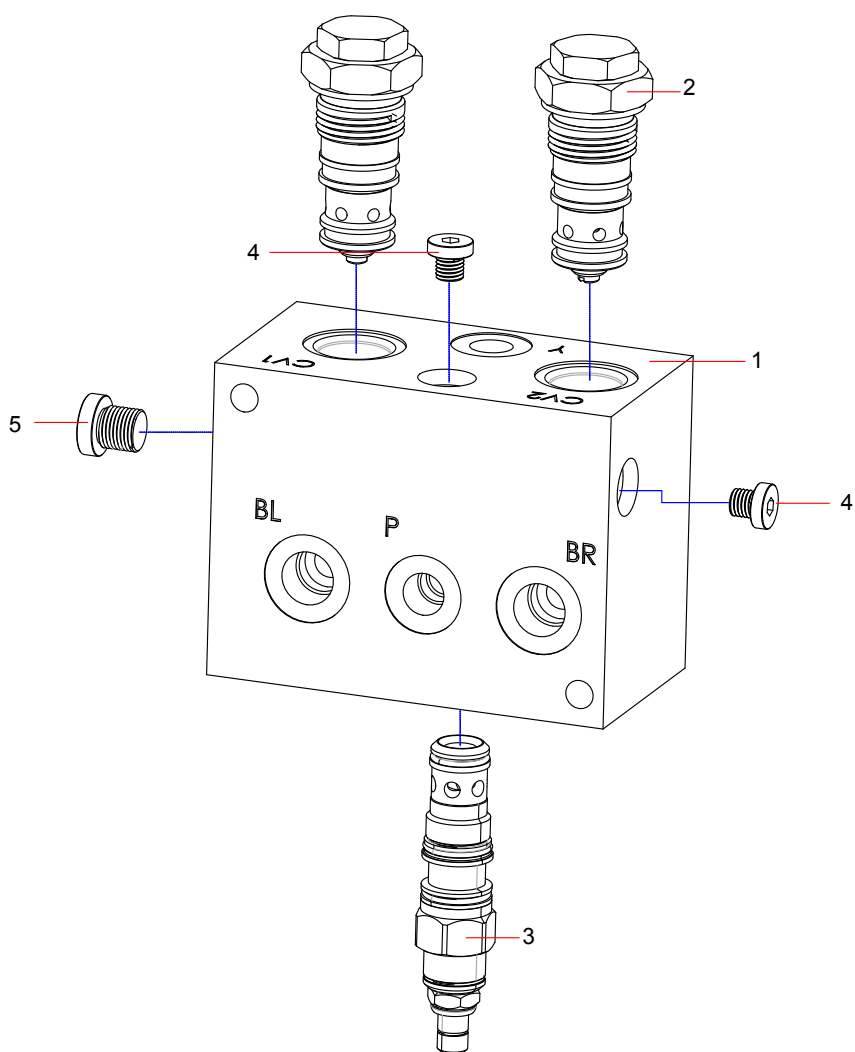
No.	Part No.	Description	Qty	Page number
11	B230101000090	O-Ring	6	
24	24000633	Washer	8	
25	10541251	Connector	3	
26	B230101000049	O-ring	8	
27	21002816	Pipe connector	6	
28	B230103000993	Hose	2	
29	B230103002302	Rubber Hose	1	
30	B210780000418	Fitting, Elbow	7	
31	B230103007052	Hose	1	
32	21033030	Rubber Hose	2	
33	13053044	connector	2	
34	B230103000874	Hose	1	
35	A210111000348	Bolt	2	
36	60086356	Clamp	2	
37	B210780000024	Fitting, Elbow	3	
38	A820205000940	Fitting	8	
39	B230101000047	O-ring	8	
40	A820205000961	Connector	2	
41	B210780000228	Fitting, adapter	1	
42	B210780000016	Fitting, Tee, L-Shape	1	
43	B210780000827	Connector, pipe	1	
49	A229900010160	Pipe connector	2	
63	A820205001655	Connector	8	
64	A230101000247	O-ring 10.9×2.3(JISB2401)	8	



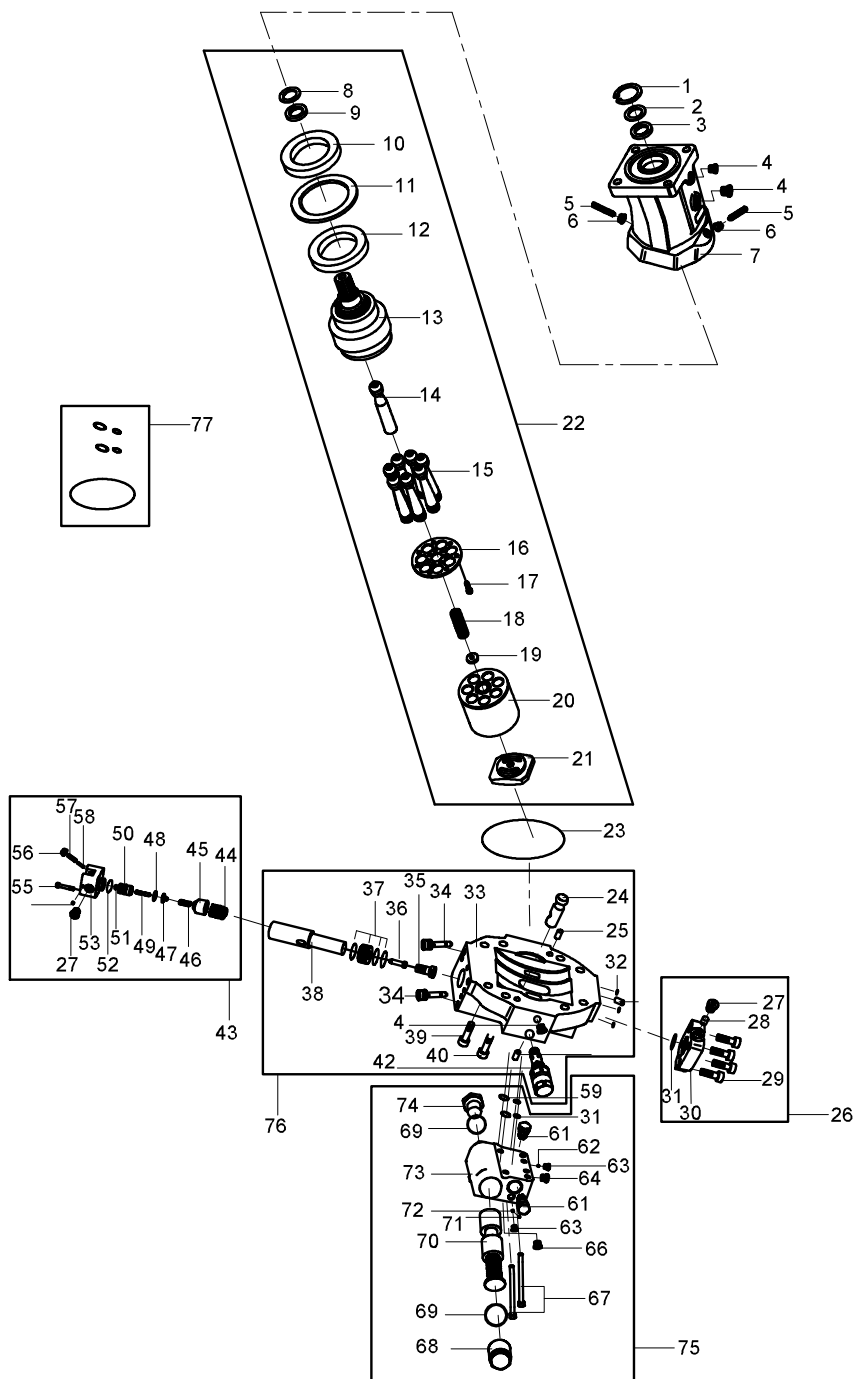
No.	Part No.	Description	Qty	Page number
11	B230101000090	O-Ring	6	
25	10541251	Connector	3	
26	B230101000049	O-ring	8	
27	21002816	Pipe connector	6	
44	B230103006850	Rubber hose	2	
45	A831213065000	Hose	1	
46	B230103007050	Hose	1	
47	B230103000074	Hy hose 1SN6-DKOL-DKOL90-1600Q/SY1102	1	
48	B210780000170	Fitting, Tee, L-shape	1	
49	A229900010160	Pipe connector	2	
50	21020313	O-ring	2	
51	21020777	Fitting, Adapter	2	
62	A820205000858	Fitting	2	



No.	Part No.	Description	Qty	Page number
24	24000633	Washer	8	
26	B230101000049	O-ring	8	
27	21002816	Pipe connector	6	
30	B210780000418	Fitting, Elbow	7	
38	A820205000940	Fitting	8	
39	B230101000047	O-ring	8	
52	A210204000462	Screw	4	
53	A210491000121	Washer	4	
54	60253891	PlungerMotor	1	3-28
55	60278482	Center Swivel Joint	1	3-32
56	A210111000212	Bolt	4	
57	B230103001114	Hose Assembly	2	
58	A210111000095	Bolt	4	
59	13355697	3-way block	2	
60	B230103004133	Hose, rubber	2	
61	A831213035000	Rubber hose	2	
63	A820205001655	Connector	8	
64	A230101000247	O-ring 10.9×2.3(JISB2401)	8	

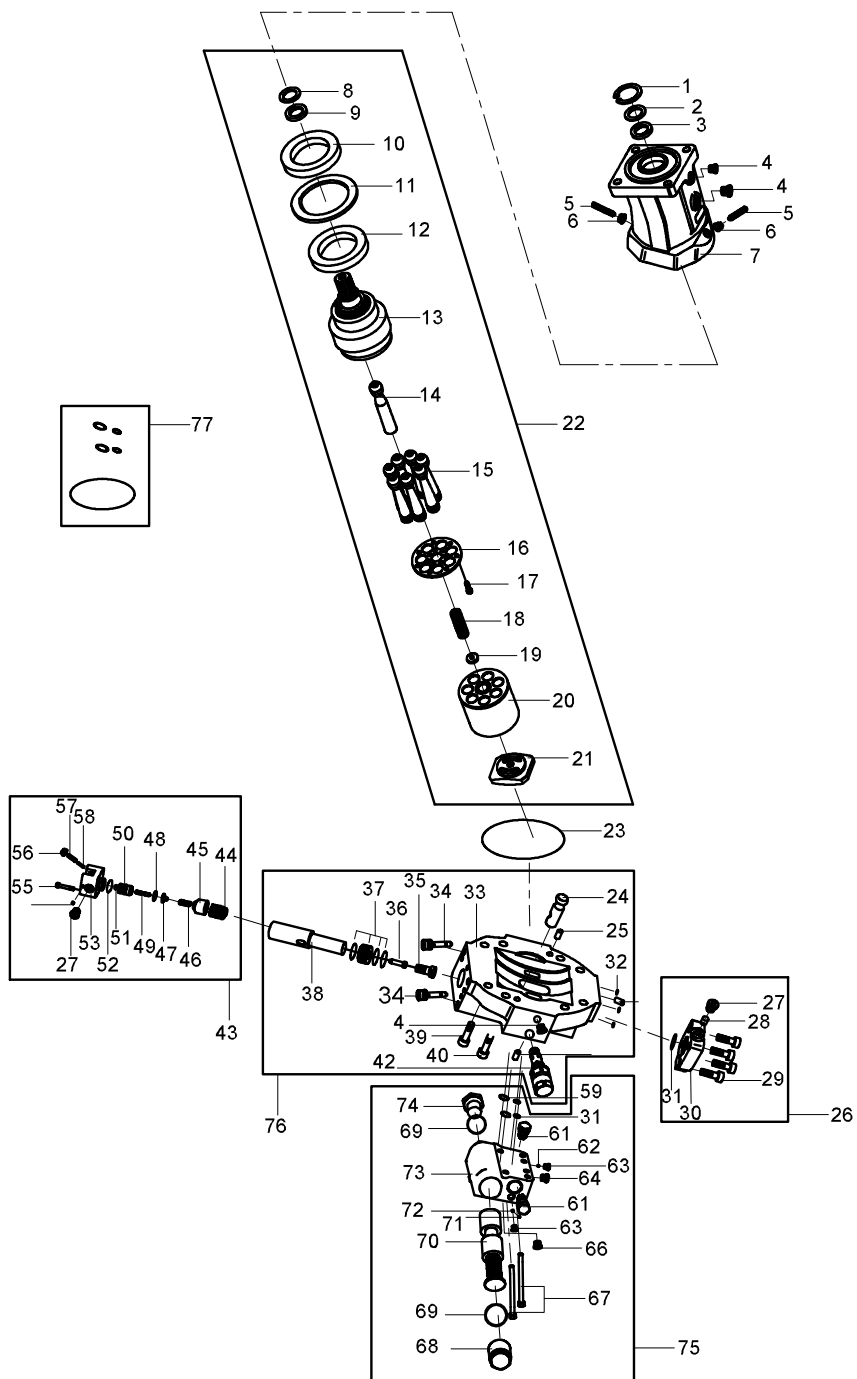


No.	Part No.	Description	Qty	Page number
1	60286672	Block	1	
2	60286673	check valve	2	
3	60286674	relief valve	1	
4	60286675	plug	2	
5	60286676	plug	1	

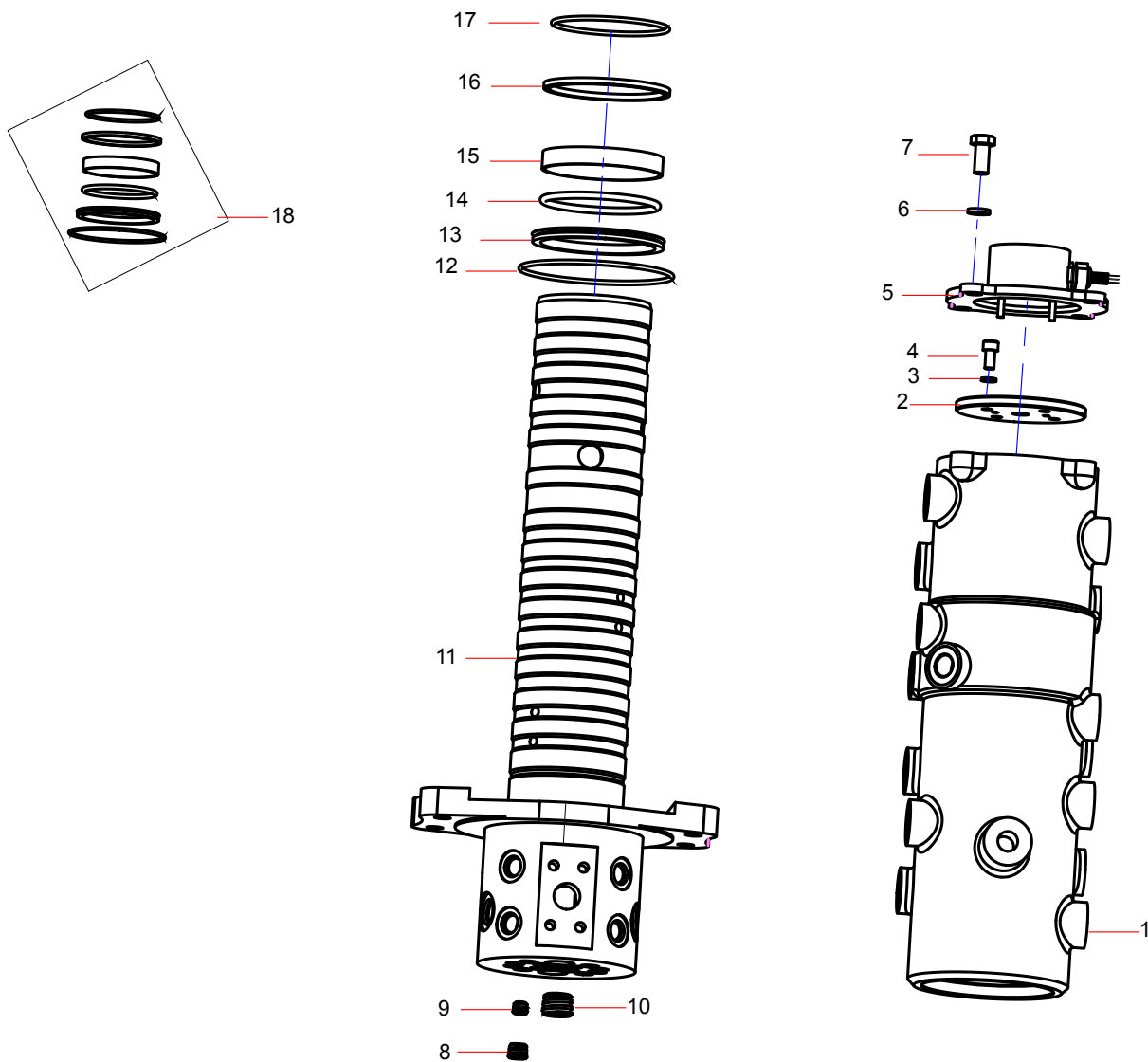




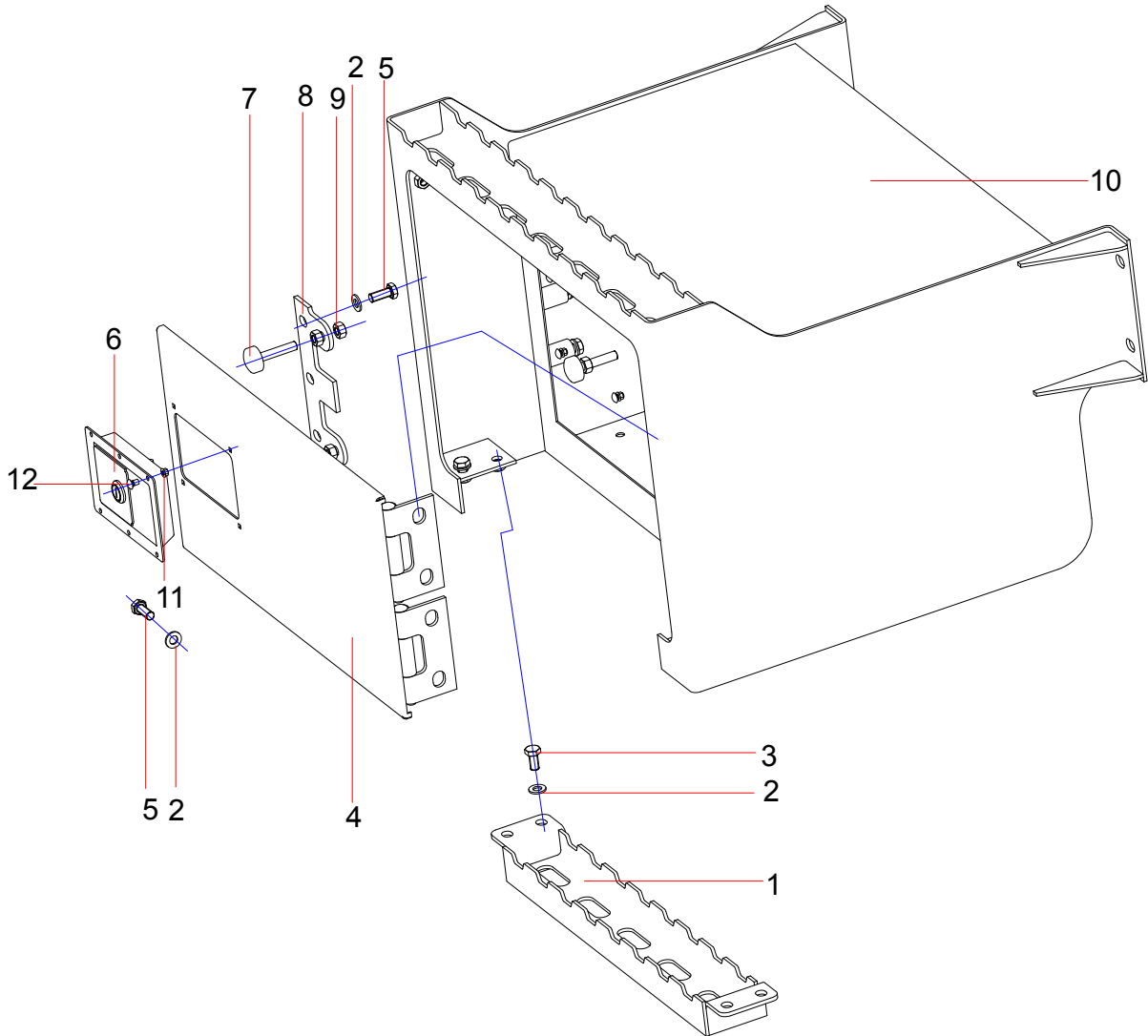
No.	Part No.	Description	Qty	Page number
1	60291722	RETAINING RING	1	
2	60152402	BACK-UP PLATE	1	
3	60202478	shaft seal ring	1	
4	60089920	LOCKING SCREW	3	
5	60089926	THREADED PIN	2	
6	60089960	SEAL LOCK NUT	2	
7	60291721	HOUSING	1	
8	60291724	RETAINING RING	1	
9	60152378	BACK-UP PLATE	1	
10	60123229	Bearing	1	
11	60291723	SHIM	1	
12	60291725	TAPERED-ROLLER BEARING	1	
13	60106562	Output Shaft	1	
14	60291726	CENTER PIN	1	
15	60152227	PISTON WITH PISTON RINGS	7	
16	60152409	RETAINING PLATE	1	
17	60089906	SCREW (COUNTERSUNK)	14	
18	60152110	PRESSURE SPRING	1	
19	60152146	ADJUSTMENT SHIM	1	
20	60152210	CYLINDER KC	1	
21	60152281	CONTROL LENS R	1	
22	60152338	ROTARY GROUP A	1	
23	60202353	O-ring	1	
24	60291731	POSITIONING TRUNNION	1	
25	60089936	CYLINDER PIN	2	
26	60291728	COVER	1	
27	60089918	LOCKING SCREW	3	
28	60290779	THROTTLE SCREW	1	
29	60290781	SOCKET-HEAD SCREW	4	
30	60291739	COVER	1	
31	60202342	O-ring	1	
32	60202341	O-ring	3	
33	60291729	PORT PLATE	1	
34	60290768	PLUG	2	
35	60290767	SOCKET-HEAD SCREW	1	
36	60290765	THREADED PIN	1	
37	60291732	PISTON WITH PISTON RINGS	1	
38	60291730	POSITIONING PISTON	1	
39	60291733	SOCKET-HEAD SCREW	4	
40	60291734	SOCKET-HEAD SCREW	4	



No.	Part No.	Description	Qty	Page number
42	60291735	VALVE	2	
43	60291727	CONTROL PART	1	
44	60152106	PRESSURE SPRING	1	
45	60152128	ADJUSTING BUSHING	1	
46	60152108	PRESSURE SPRING	1	
47	60290772	SPRING COLLAR	1	
48	60207596	retaining ring	1	
49	60291736	CONTROL PISTON	1	
50	60152433	CONTROL BUSH	1	
51	60290777	RETAINING DISC	1	
52	60202356	O-ring	1	
53	60152238	CONTROL HOUSING	1	
55	60291737	SOCKET-HEAD SCREW	4	
56	60205466	seal lock nut	1	
57	60290775	THREADED PIN	1	
58	60291738	CYLINDER PIN	1	
59	60202337	O-ring	2	
61	60291740	VALVE	2	
62	60207589	plug	1	
63	60207576	locking screw	2	
64	60207577	locking screw	1	
66	60089921	LOCKING SCREW	1	
67	60207574	socket-head screw	2	
68	60290785	LOCKING SCREW	1	
69	60202347	O-ring	2	
70	60291741	BRK41-20F06K00D0612	1	
71	60207591	double break-off plug	1	
72	60089839	SHUTTLE VALVE	1	
73	60291742	HOUSING	1	
74	60290786	LOCKING SCREW	1	
75	60291719	BVD20F27S/41B-V06R24D0612S00	1	
76	60291720	CONTROL	1	
77	60307983	piston motor repair kit	1	



No.	Part No.	Description	Qty	Page number
1	60291842	body	1	
2	60291843	plate	1	
3	60291844	washer	4	
4	60291845	bolt	4	
5	60291846	electonic subassembly	1	
6	60291847	washer	4	
7	60291848	bolt	4	
8	60291849	plug	12	
9	60291850	plug	2	
10	60291851	plug	4	
11	60291852	shaft	1	
12	60291853	o-ring	1	
13	60291854	dust ring	1	
14	60291855	o-ring	1	
15	60291856	wear-resistant ring	1	
16	60291857	seal ring	15	
17	60291858	o-ring	1	
18	60307980	center valve repair kit	1	



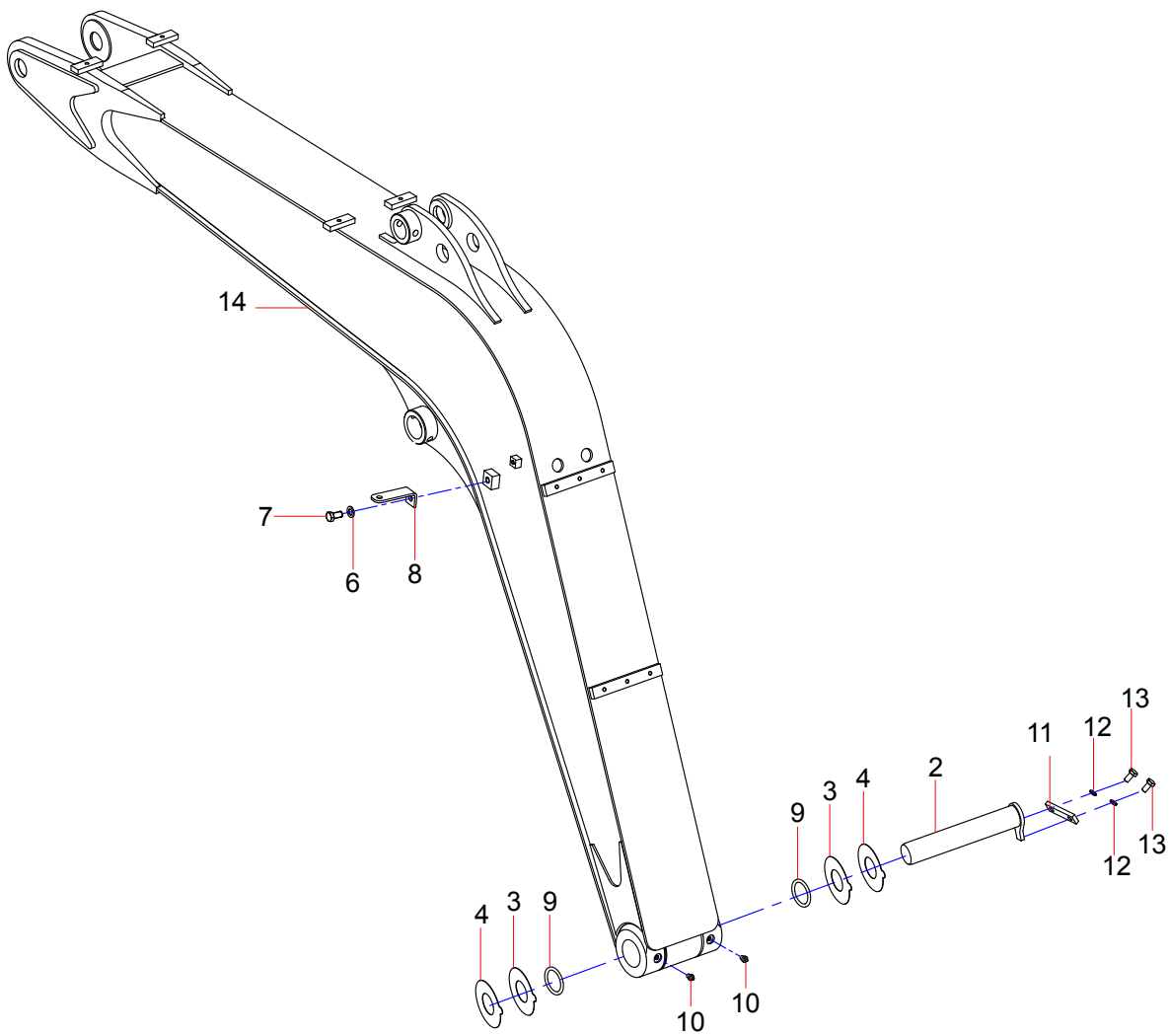
No.	Part No.	Description	Qty	Page number
1	13374196	Footplate	1	
2	24000637	Washer	9	
3	24000272	Bolt M10×20GB5783 dacrotizing	4	
4	13374201	Door of toolbox	1	
5	24000275	Bolt M10×25GB5783 dacrotizing	5	
6	A222200000012	Latch, hood	1	
7	A810502019056	Setscrew	2	
8	13374209	Module of lock tough	1	
9	A210307000017	Nut	2	
10	13374207	Welding part of toolbox	1	
11	11817218	Check nut	4	
12	10911866	Fixed Clamp	4	

BLANK PAGE

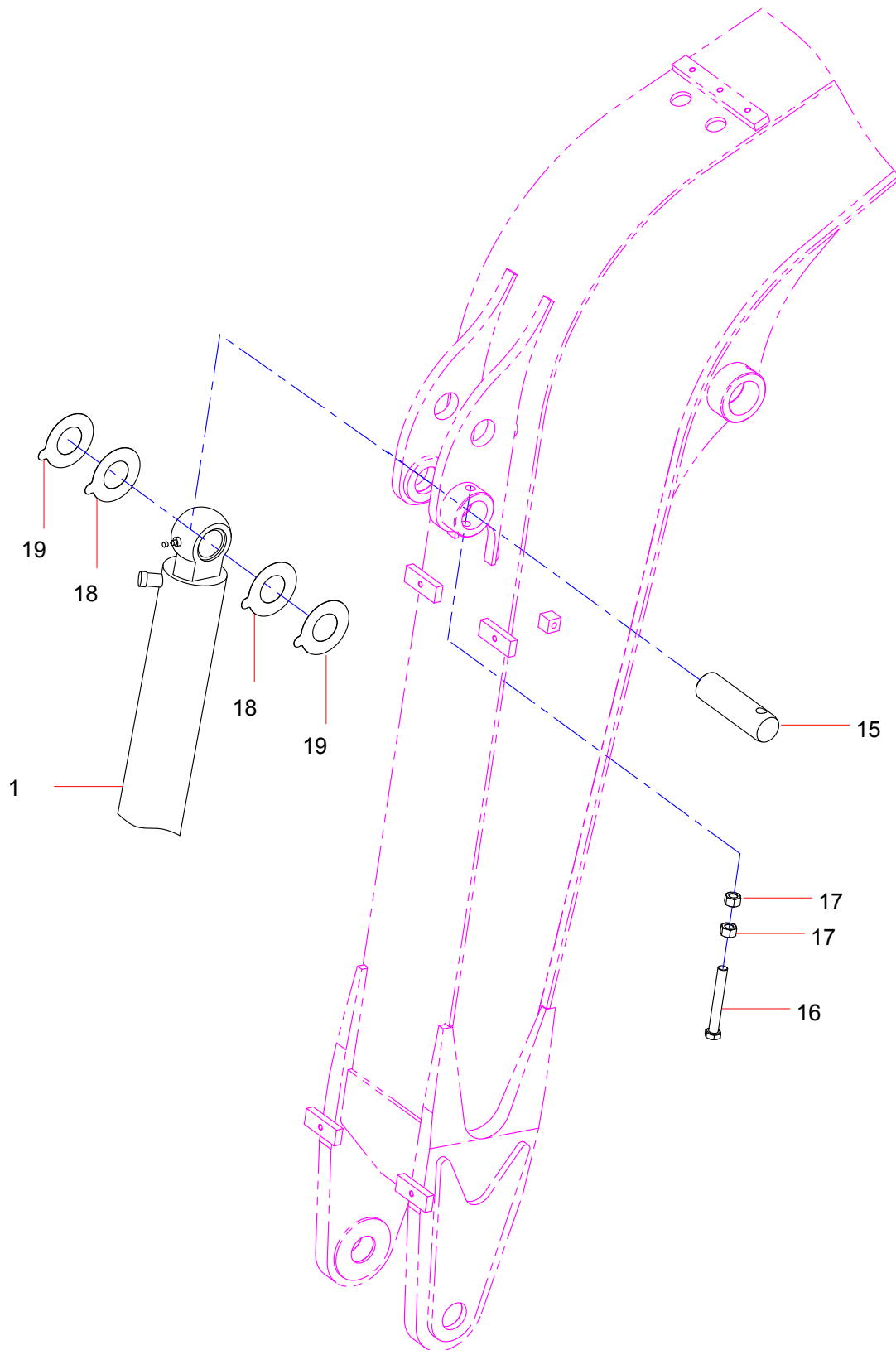


# Group 4

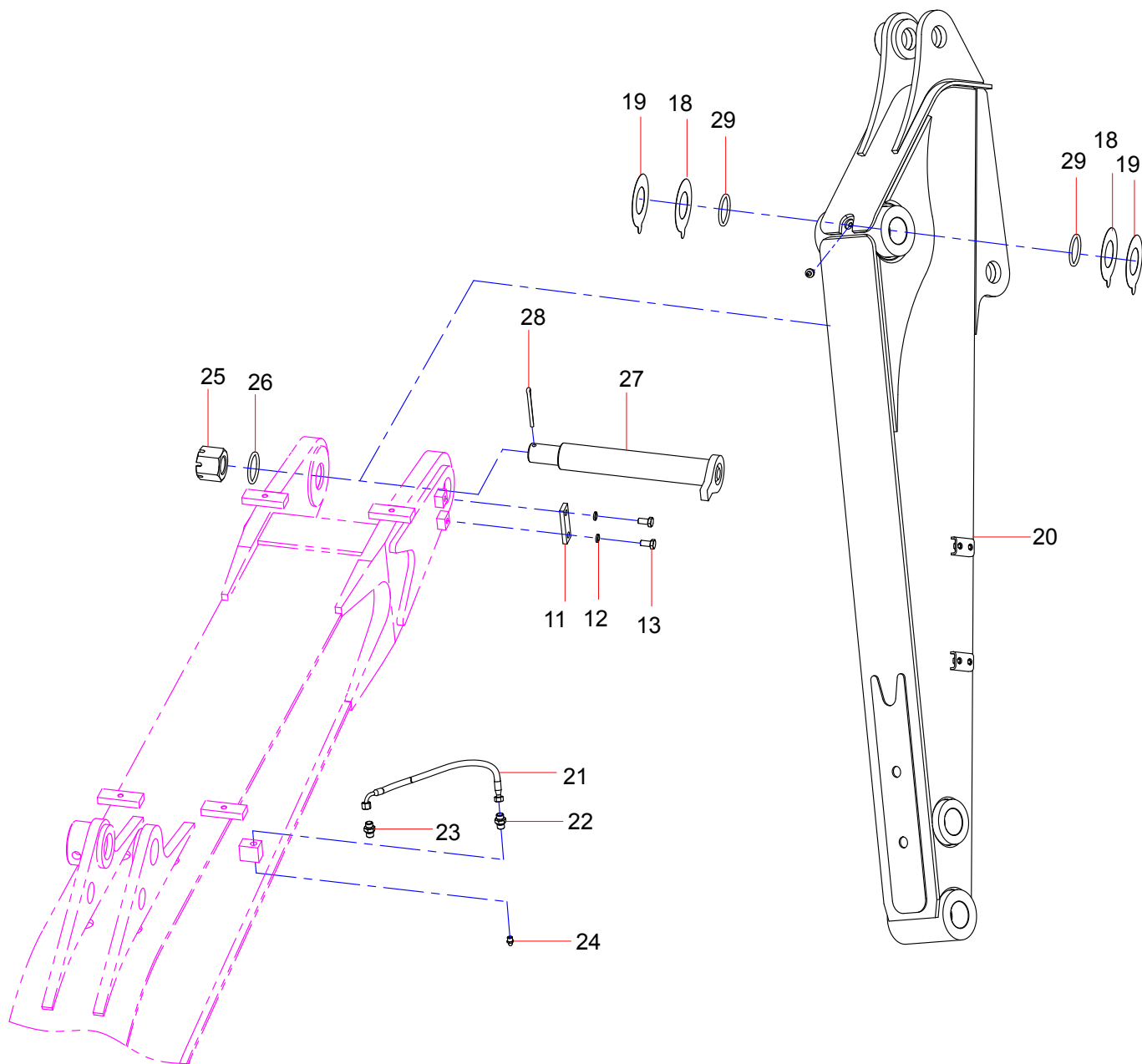
## Work device



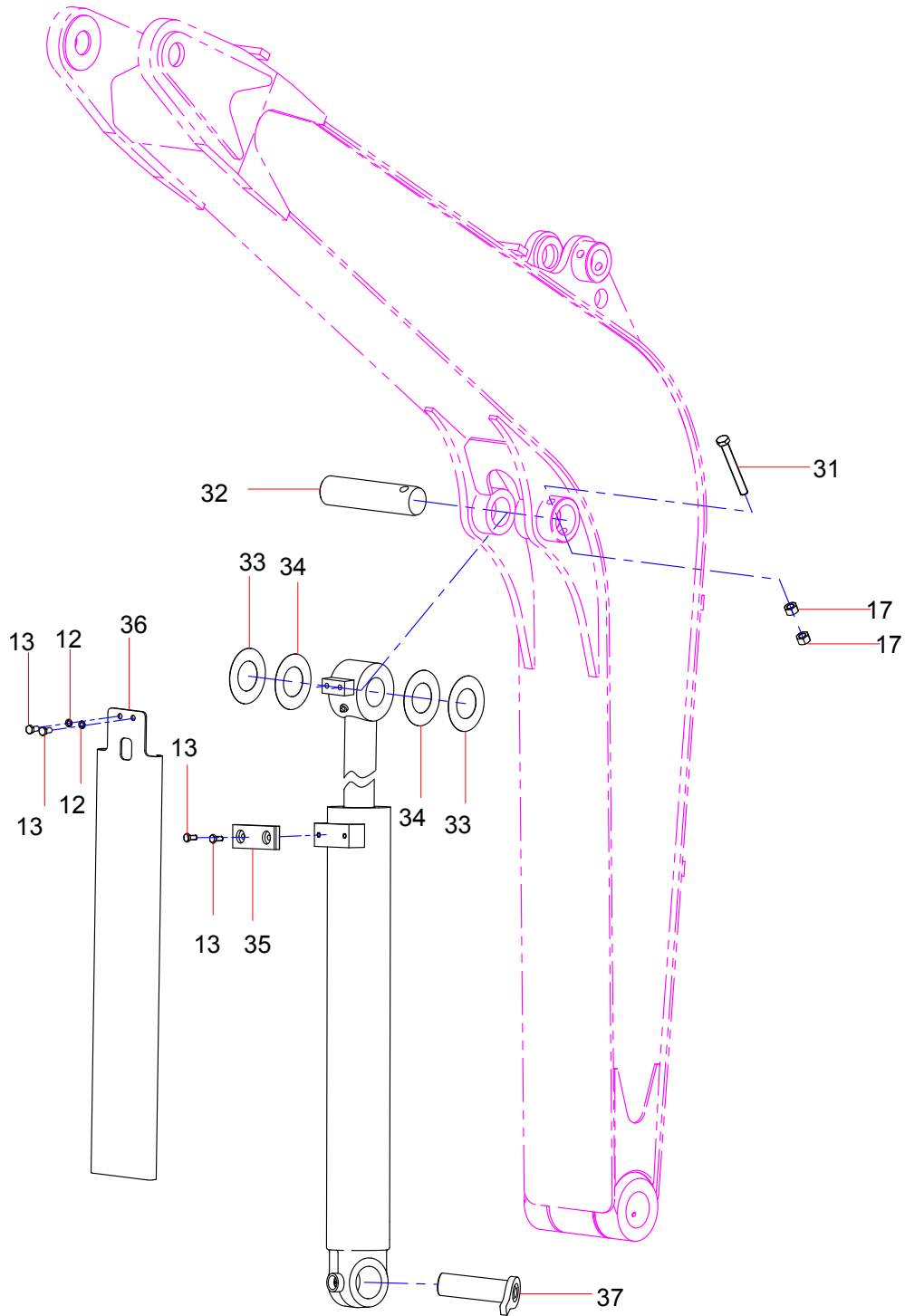
No.	Part No.	Description	Qty	Page number
2	10543251	Brace piece axial pin	1	
3	A820102010779	Spacer	2	
4	A820102010780	Spacer	2	
6	A210491000118	Washer	1	
7	A210111000263	Bolt	1	
8	A820101322531	Bracket, lamp	1	
9	B230101001118	Dust Ring	2	
10	60017380	Butter Nozzle	2	
11	10542627	Board	2	
12	24000512	Washer	6	
13	A210111000012	Bolt	8	
14	SSY004597127	Movable Arm Assembly	1	



No.	Part No.	Description	Qty	Page number
1	14156529	Working device line	1	4-20
15	10542626	Pin	3	
16	23002093	Bolt	7	
17	A210307000028	Nut	16	
18	10574180	Spacer	18	
19	10574179	Spacer	18	

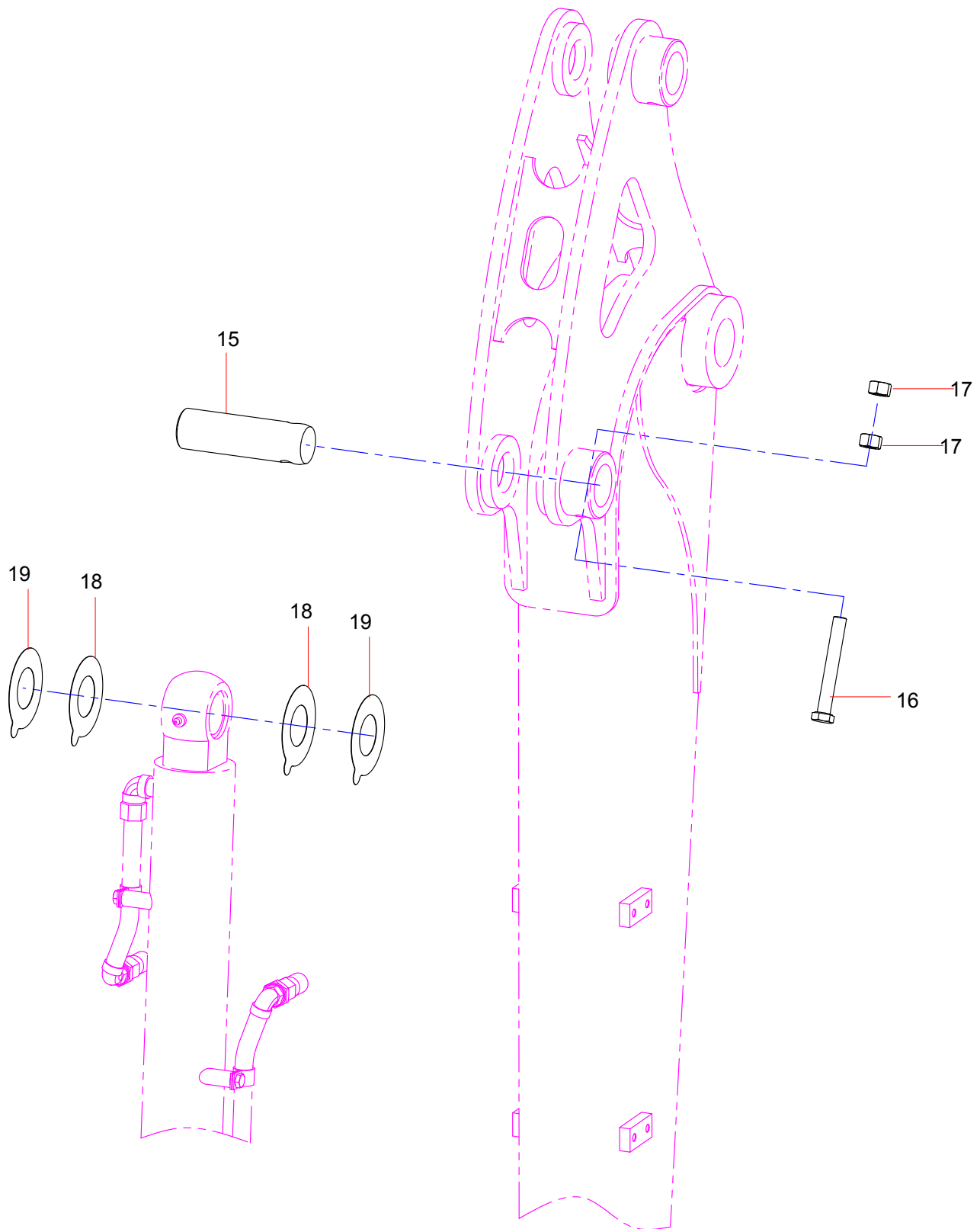


No.	Part No.	Description	Qty	Page number
11	10542627	Board	2	
12	24000512	Washer	6	
13	A210111000012	Bolt	8	
18	10574180	Spacer	18	
19	10574179	Spacer	18	
20	14532476	Bucket Arm	1	
21	B230103000808	Hose	1	
22	23000531	Stud Ends	1	
23	A820205000858	Fitting	1	
24	A210804000002	Adaptor, Grease	7	
25	A210313000042	Nut	1	
26	10574182	Cushion	1	
27	10543252	Roll, pin	1	
28	A210491000021	Pin	1	
29	B230101001119	Dust Ring	12	

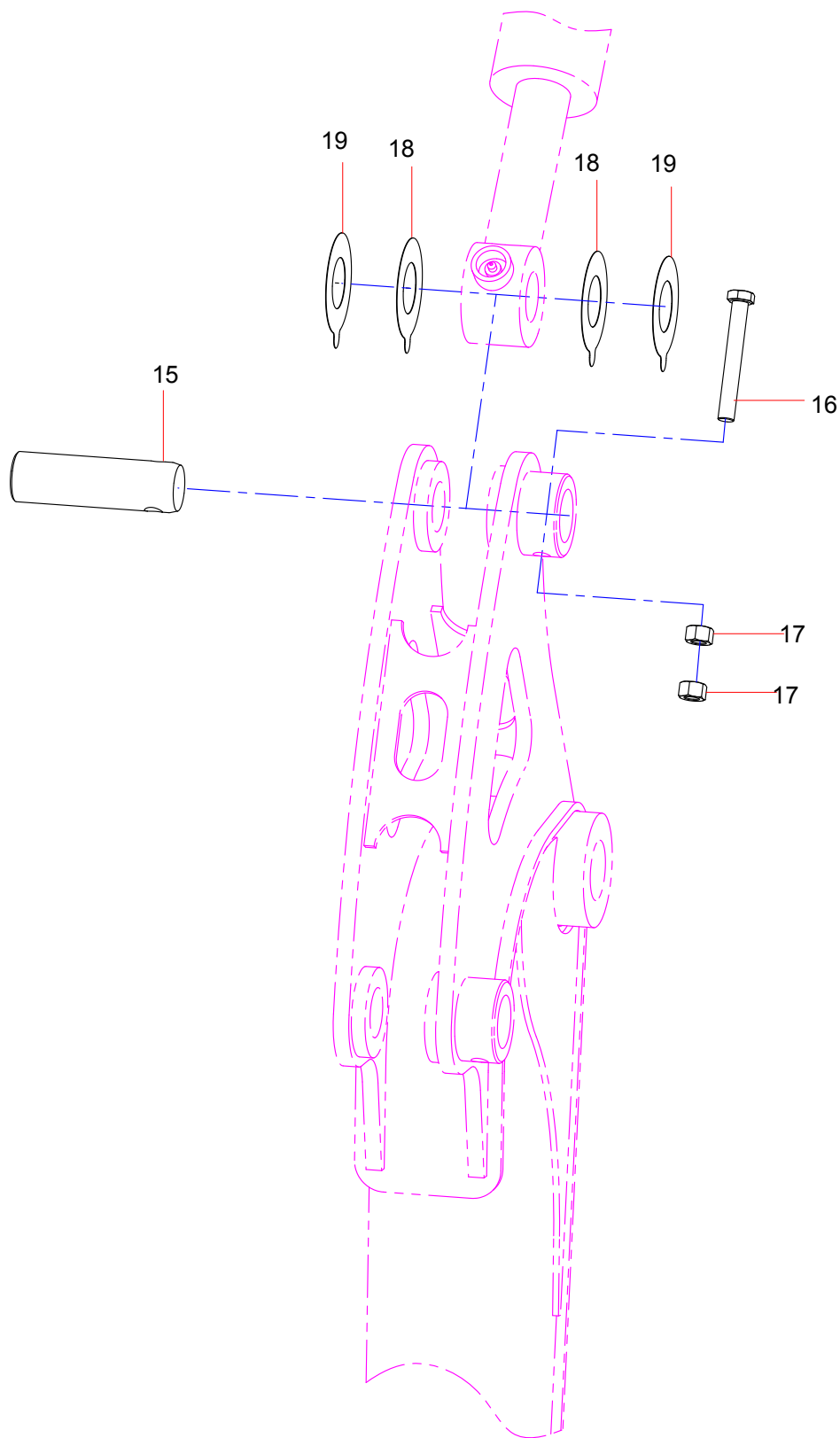




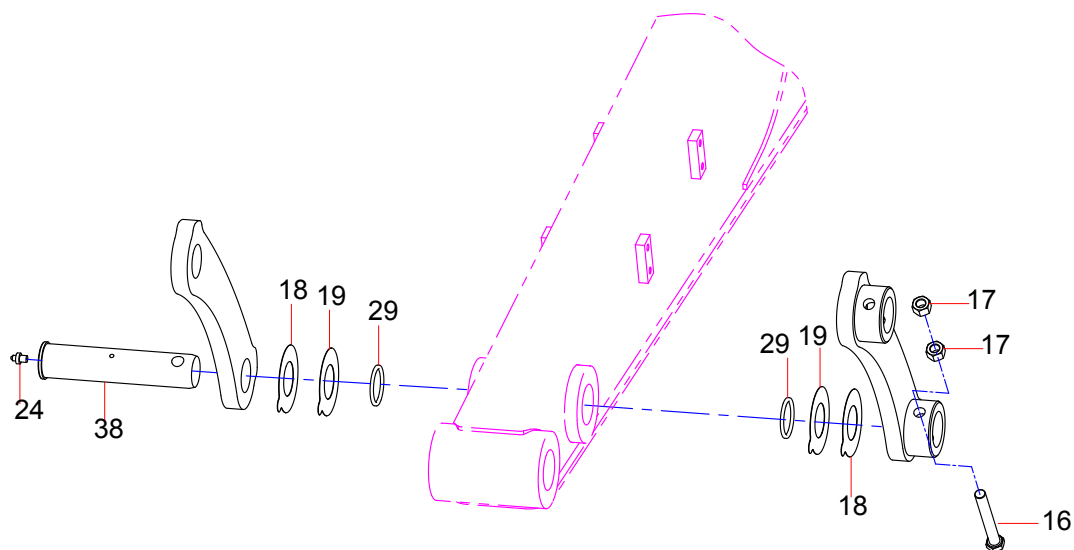
No.	Part No.	Description	Qty	Page number
12	24000512	Washer	6	
13	A210111000012	Bolt	8	
17	A210307000028	Nut	16	
31	A210110000353	Bolt	1	
32	10542625	Pin	1	
33	A810312019062	Shim	4	
34	10167597	Spacer	4	
35	10574187	Rigid board	1	
36	10542628	Oil Cylinder Guard Board	1	
37	11678642	Brace piece axial pin	1	



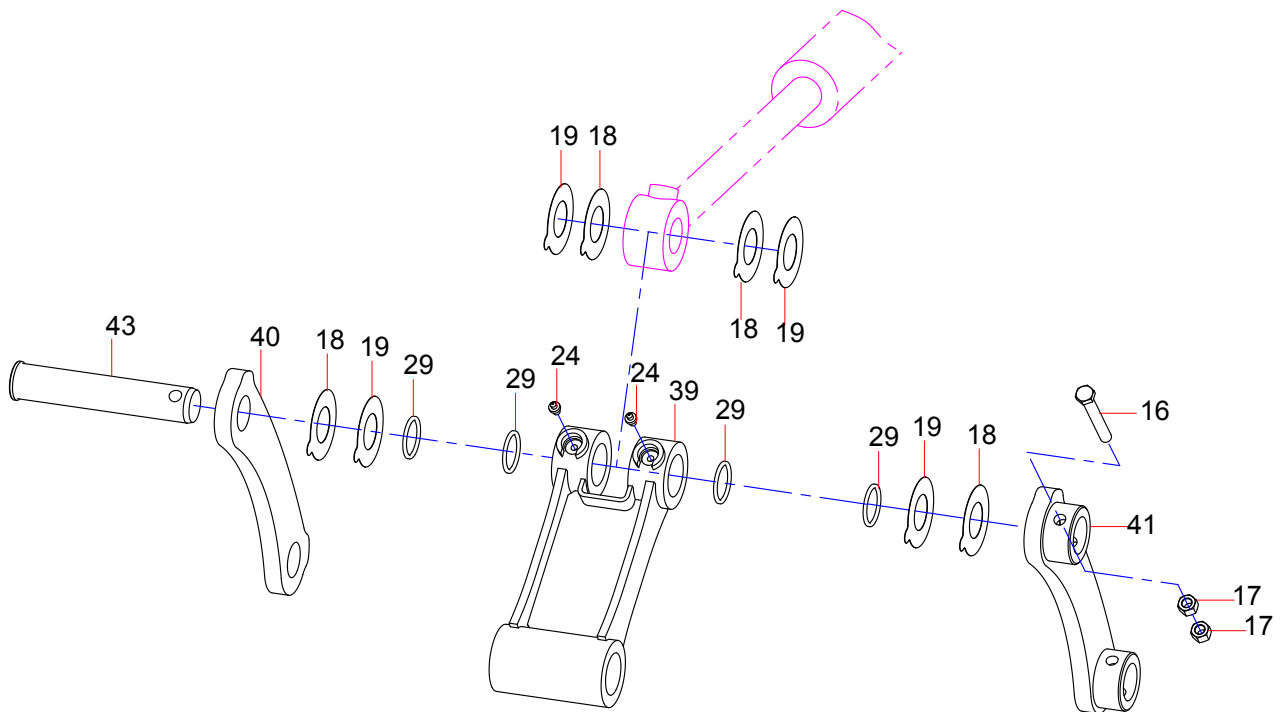
No.	Part No.	Description	Qty	Page number
15	10542626	Pin	3	
16	23002093	Bolt	7	
17	A210307000028	Nut	16	
18	10574180	Spacer	18	
19	10574179	Spacer	18	



No.	Part No.	Description	Qty	Page number
15	10542626	Pin	3	
16	23002093	Bolt	7	
17	A210307000028	Nut	16	
18	10574180	Spacer	18	
19	10574179	Spacer	18	

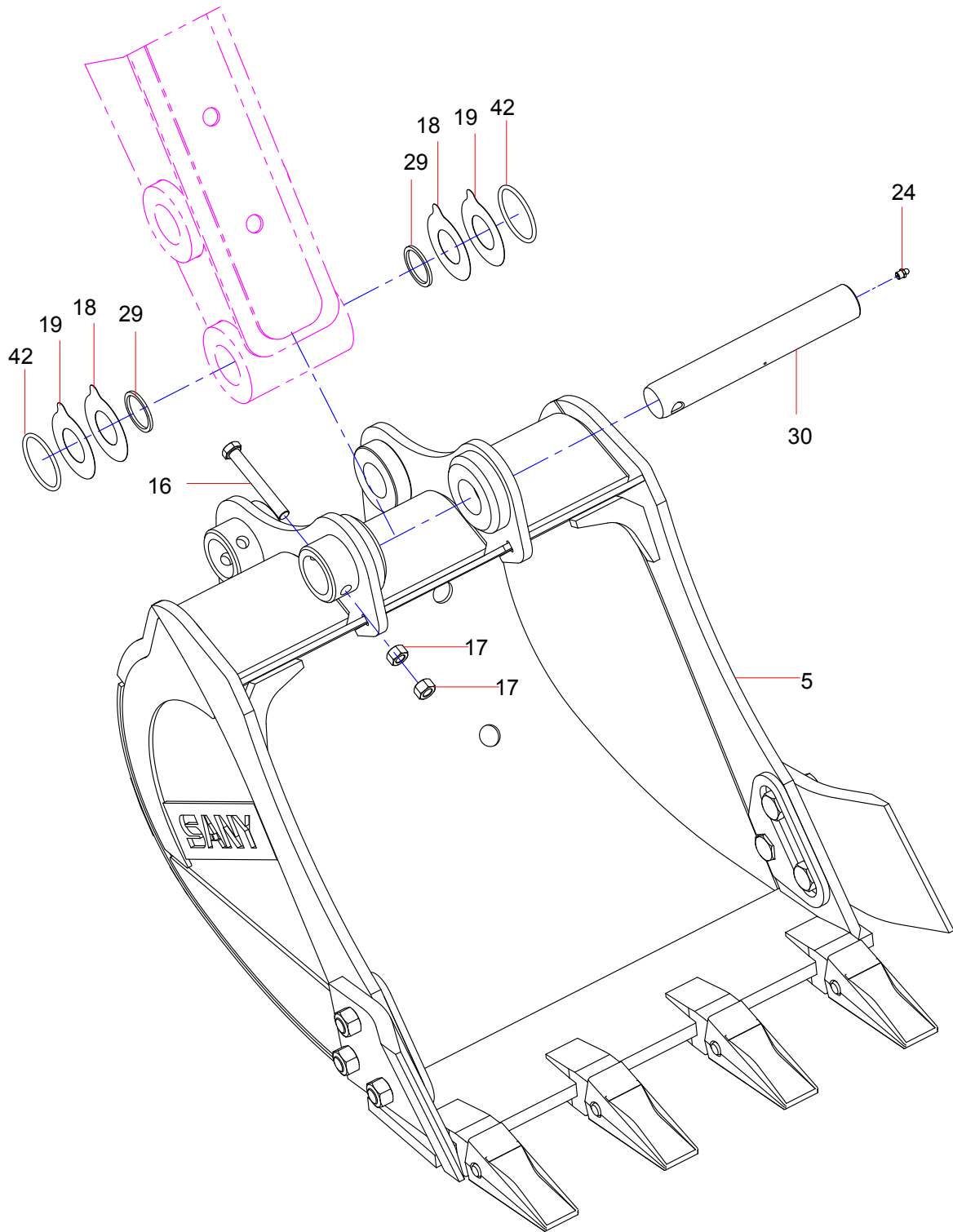


No.	Part No.	Description	Qty	Page number
16	23002093	Bolt	7	
17	A210307000028	Nut	16	
18	10574180	Spacer	18	
19	10574179	Spacer	18	
24	A210804000002	Adaptor, Grease	7	
29	B230101001119	Dust Ring	12	
38	10542630	Pin roll	1	

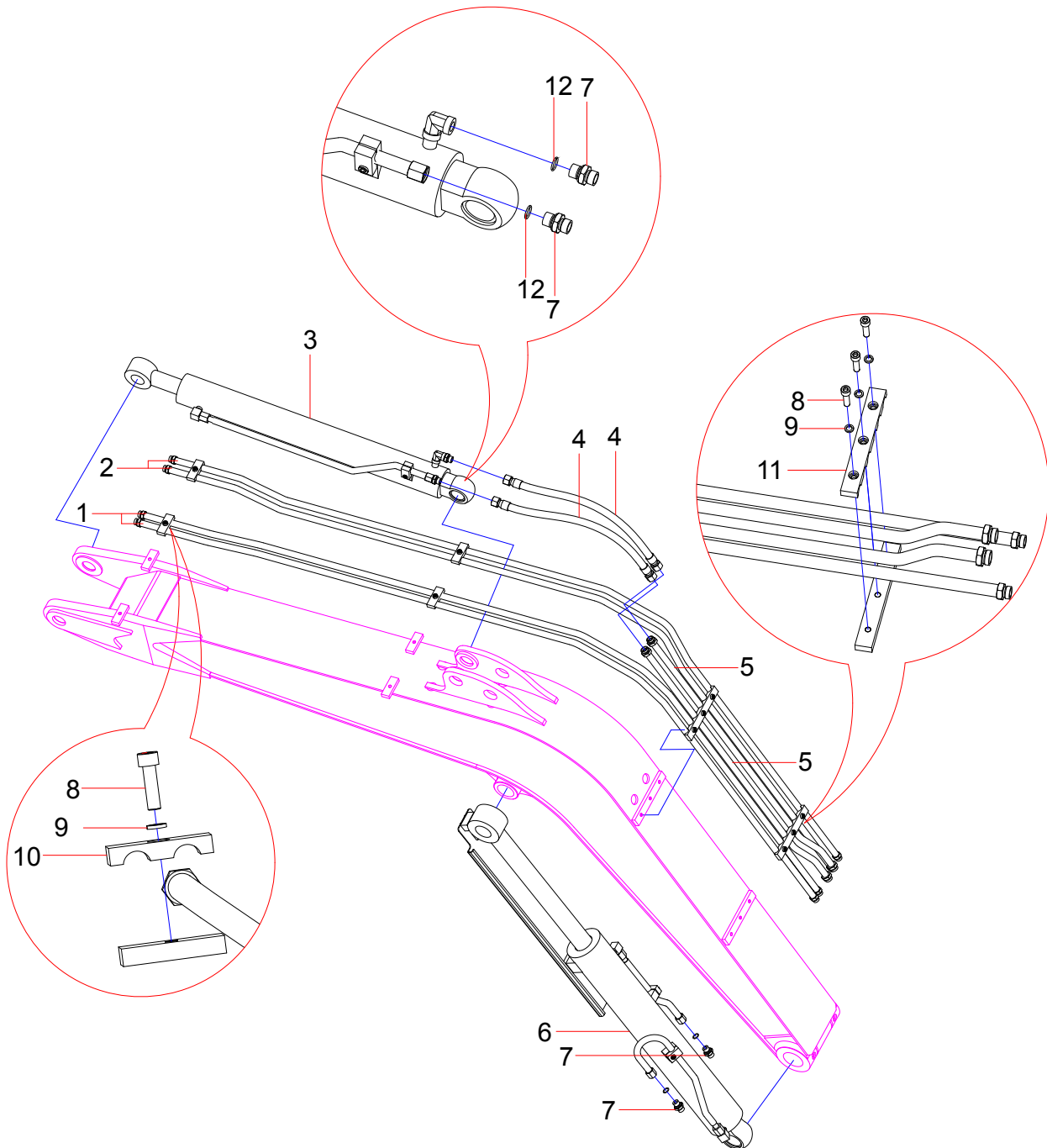




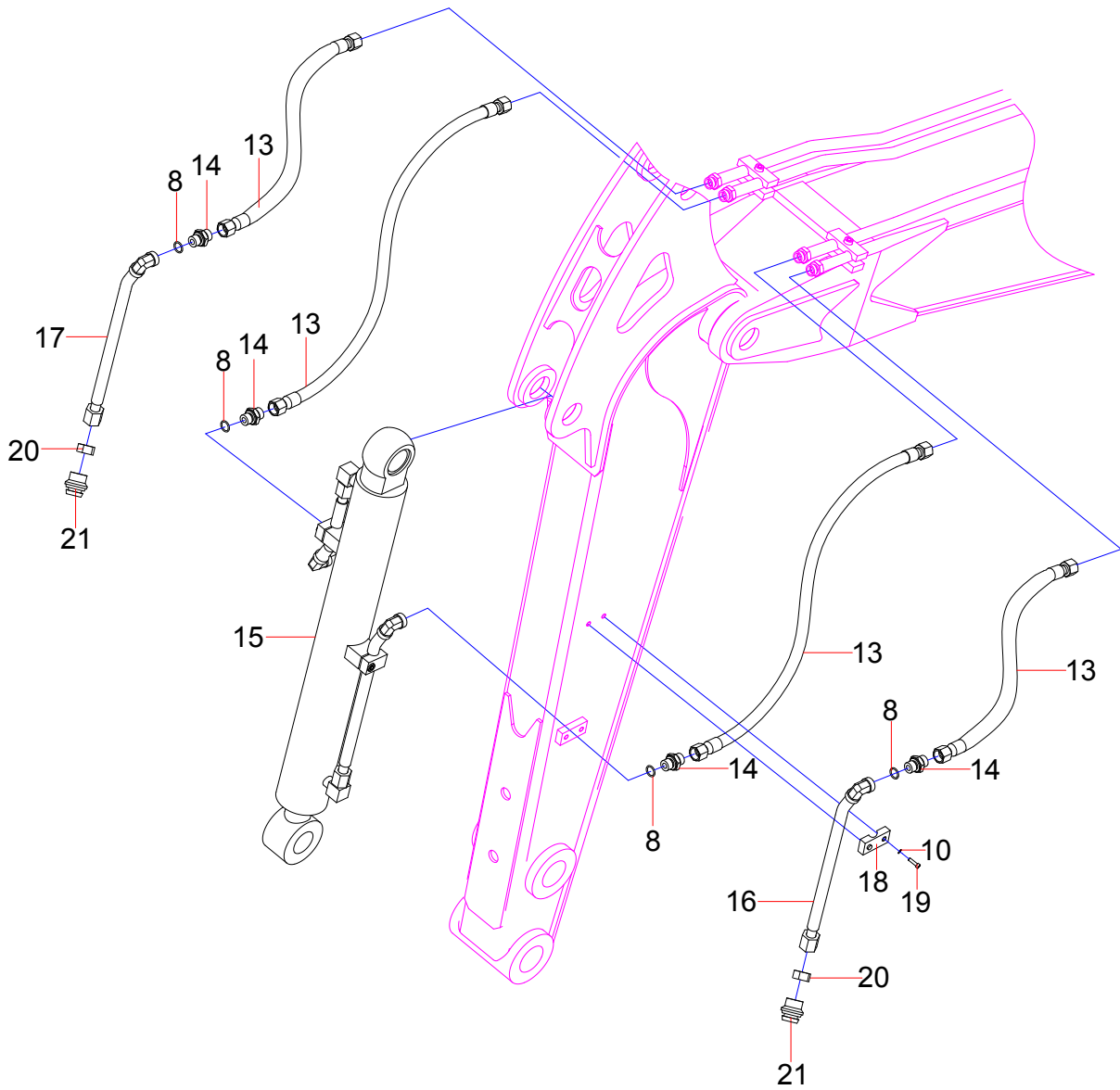
No.	Part No.	Description	Qty	Page number
16	23002093	Bolt	7	
17	A210307000028	Nut	16	
18	10574180	Spacer	18	
19	10574179	Spacer	18	
24	A210804000002	Adaptor, Grease	7	
29	B230101001119	Dust Ring	12	
39	14532482	Connecting Rod	1	4-32
40	10542647	Rocker	1	
41	10543249	Rocker	1	
43	10598011	Pin	1	



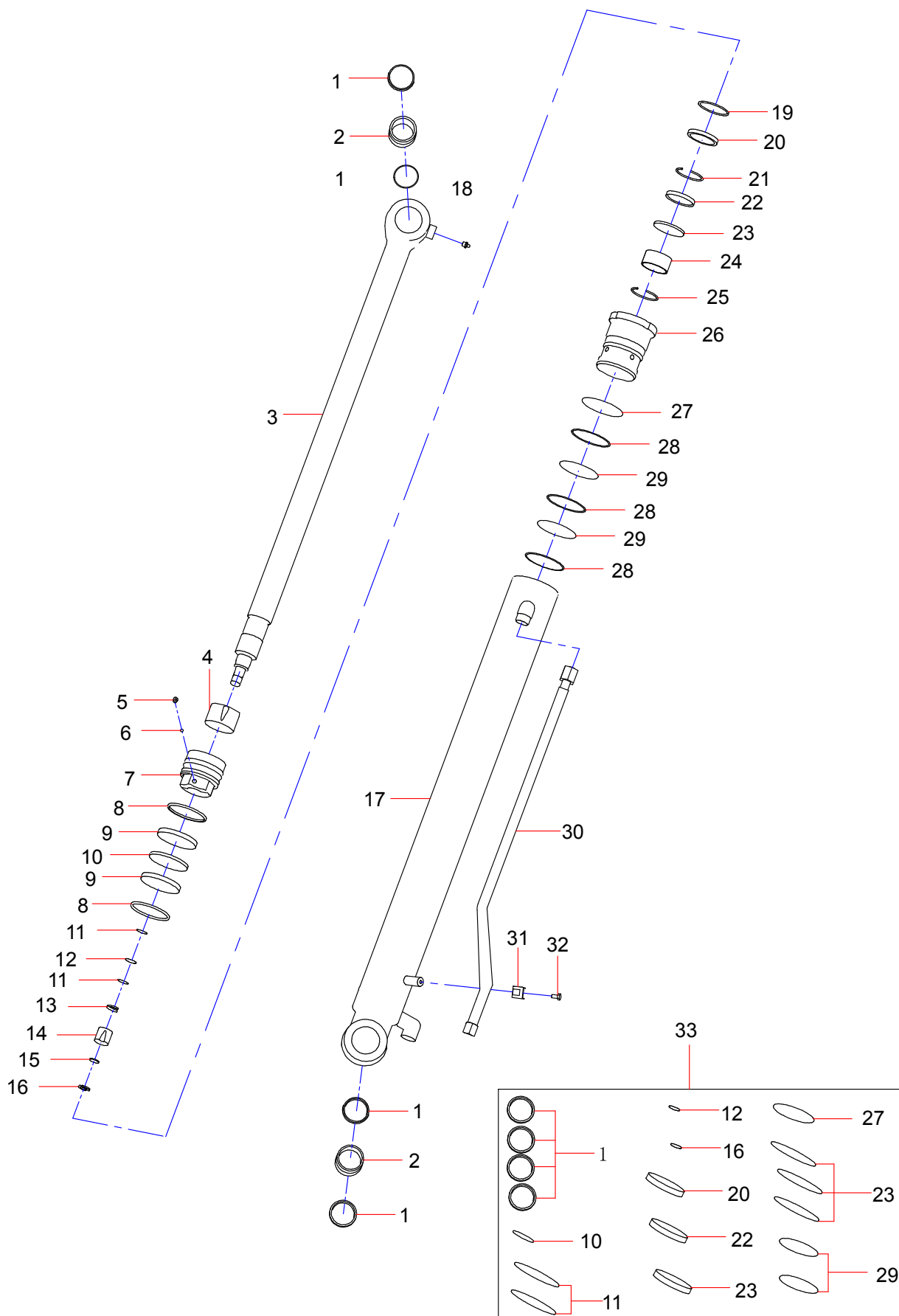
No.	Part No.	Description	Qty	Page number
5	12158004	Bucket	1	4-30
16	23002093	Bolt	7	
17	A210307000028	Nut	16	
18	10574180	Spacer	18	
19	10574179	Spacer	18	
24	A210804000002	Adaptor, Grease	7	
29	B230101001119	Dust Ring	12	
30	10542631	Pin roll	2	
42	A880802010064	O-ring	2	



No.	Part No.	Description	Qty	Page number
1	12945958	Steel Pipe Assy.	2	
2	12945926	Steel Pipe Assy.	2	
3	60199322	5.5T Arm oil cylinder	1	4-24
4	60157614	rubber hose	2	
5	11941185	Steel Pipe Assy.	2	
6	60199321	5.5T Boom oil cylinder	1	4-26
7	21002824	Pipe connector	8	
8	B230101000090	O-Ring	20	
9	A210204000364	Screw	10	
10	24000512	Washer	18	
11	12085732	Upper tube clamp	4	
12	12615672	Upper tube clamp	2	

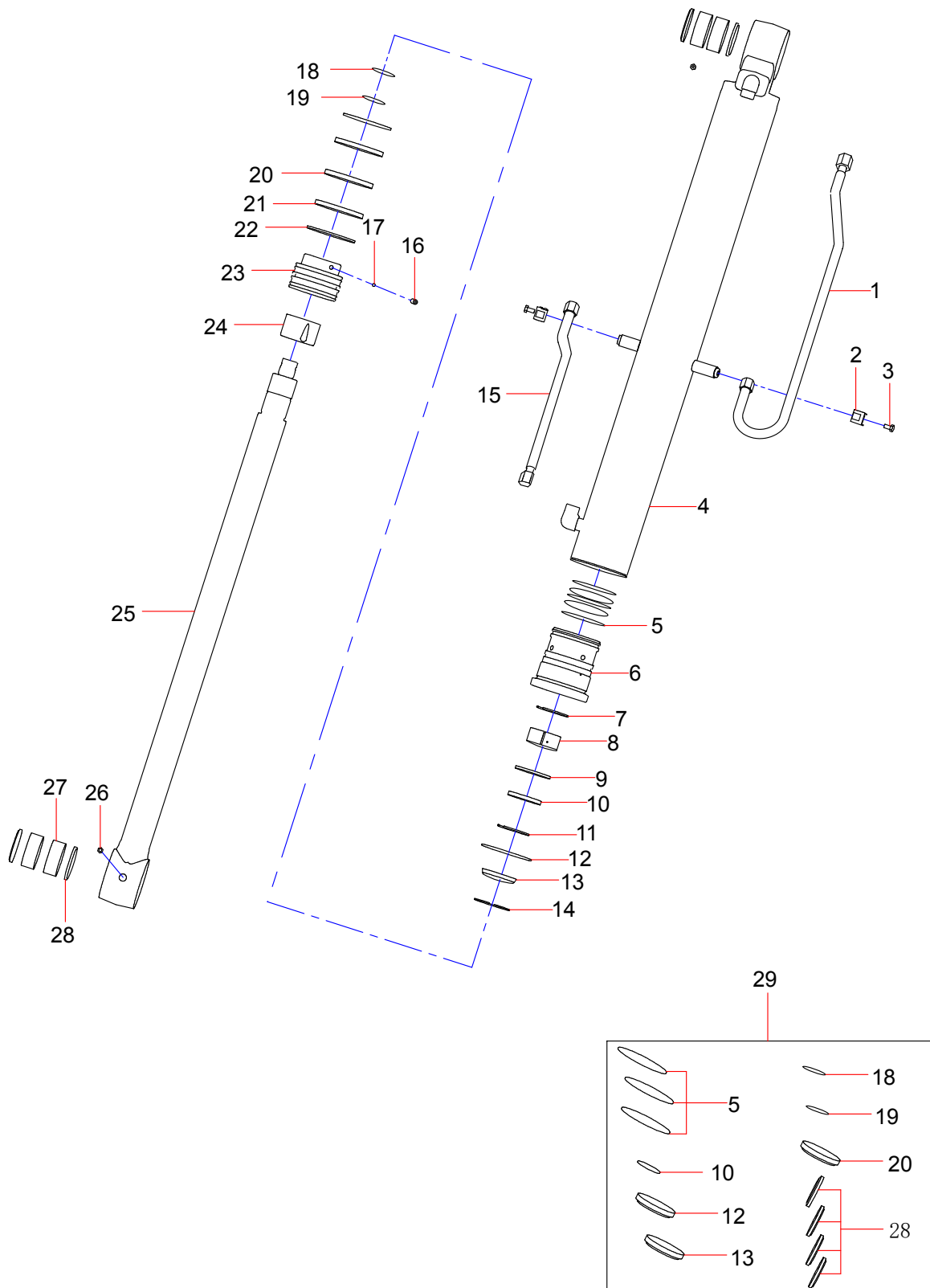


No.	Part No.	Description	Qty	Page number
8	B230101000090	O-Ring	20	
10	24000512	Washer	18	
13	60153883	RubberHose	4	
14	21002822	Fitting	12	
15	60199320	5.5T Bucket oil cylinder	1	4-28
16	11176131	Steel Pipe Assy.	1	
17	11176132	Steel Pipe Assy.	1	
18	11176128	clamp	4	
19	A210204000215	Screw	8	
20	B210334000012	Nut	2	
21	B210780000089	Plug	2	

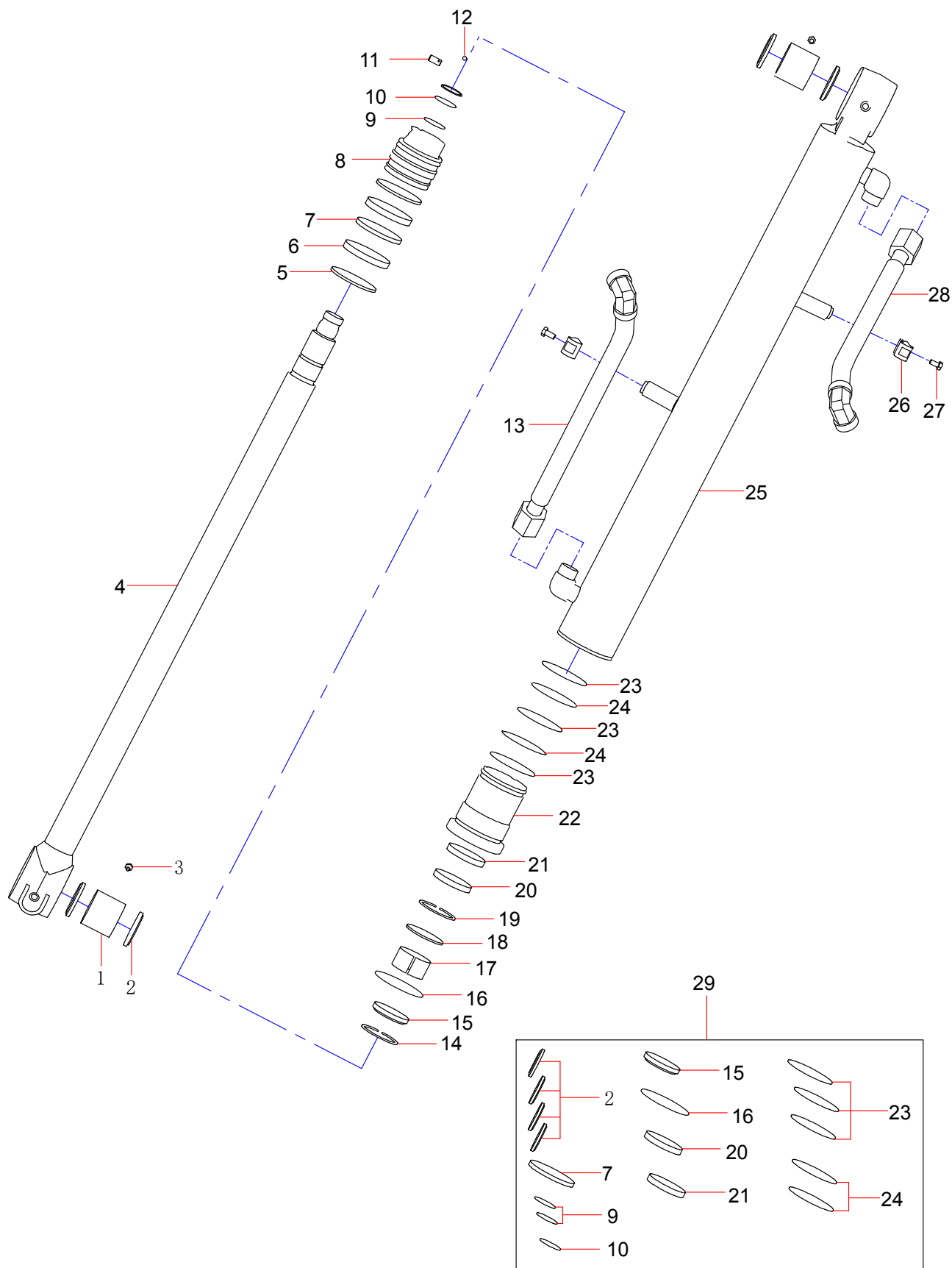




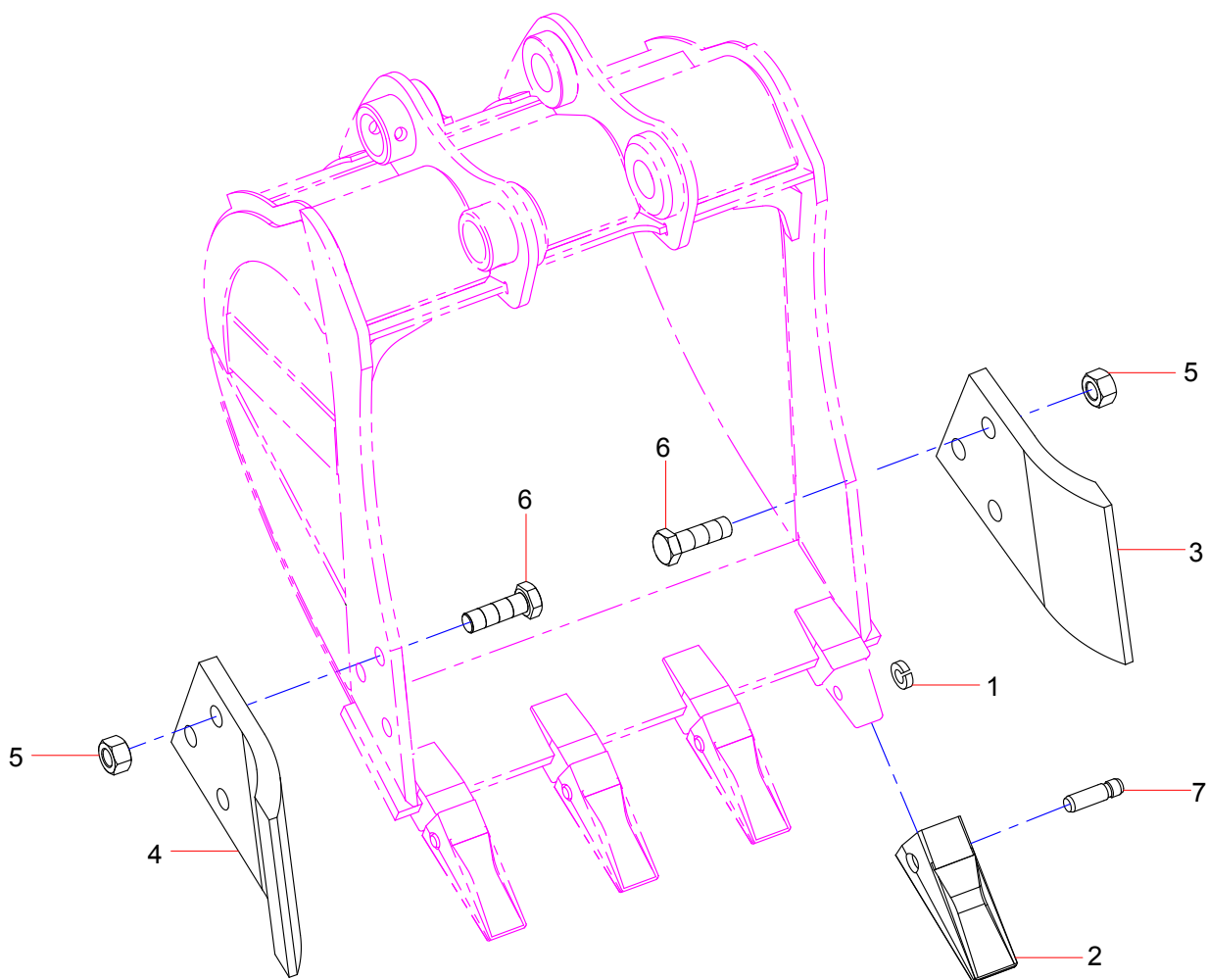
No.	Part No.	Description	Qty	Page number
1	A880808070035	Dust ring	4	
2	60072313	A-shaft sleeve	2	
3	60080505	Piston Rod	1	
4	60080482	Bumper Sleeve	1	
5	A210209000020	Screw M10×16GB80-00	1	
6	60080467	Steel Ball	1	
7	60080491	Piston	1	
8	60080528	Dust contain ring	2	
9	60080416	formed guide ring	2	
10	60080515	Hole seal	1	
11	60080403	Retainer Ring	2	
12	B230101000672	O-ring	1	
13	60080510	Clamp ring	1	
14	60080468	Behind bumper Sleeve	1	
15	60080477	bumper ring	1	
16	60080436	Retainer Ring	1	
17	60080465	cylinder body component	1	
18	A880899010002	Fitting, Grease	1	
19	60080438	Retainer Ring	1	
20	B230101002164	Dust ring	1	
21	60169596	Opening Retainer Ring	1	
22	60184741	Seal Ring	1	
23	B230101002165	Seal ring	1	
24	60080474	Sliding shaft sleeve	1	
25	60080424	Retainer Ring	1	
26	60208565	Guide sleeve	1	
27	A210609000084	O-ring	1	
28	60080410	Retainer Ring	3	
29	A210609000080	O-ring	2	
30	60147154	Steel Pipe Assy	1	
31	60080509	Clip	2	
32	A210108000085	Bolt	1	
33	60208559	Cylinder Repair Kit	1	



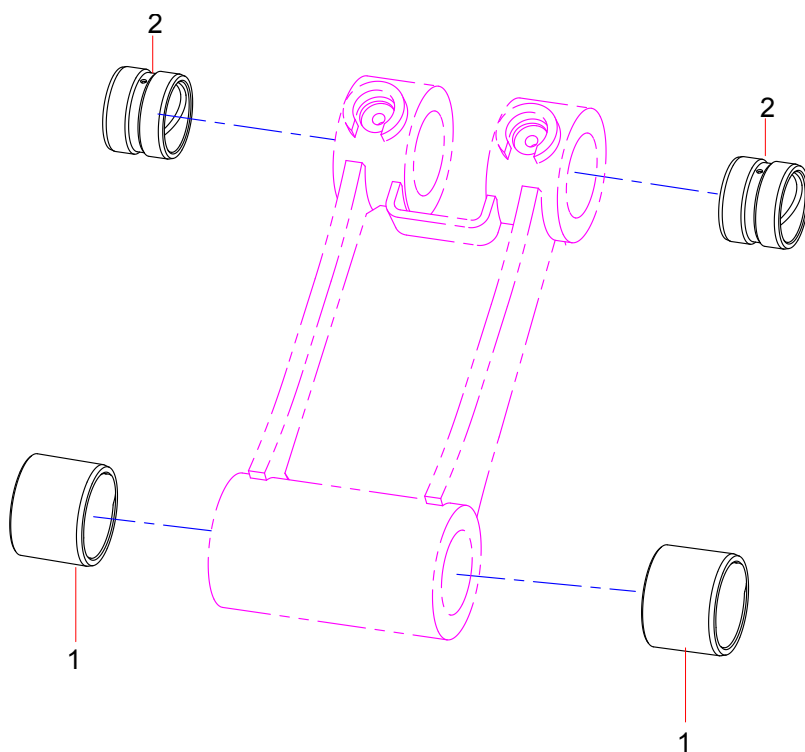
No.	Part No.	Description	Qty	Page number
1	60147158	Steel Pipe Assy	1	
2	60080509	Clip	2	
3	A210108000085	Bolt	1	
4	60164277	CYLINDER BODY	1	
5	60080412	Retainer Ring	3	
6	60208566	Guide sleeve	1	
7	60080425	Retainer Ring	1	
8	60080469	Sliding shaft sleeve	1	
9	A880806030060	Buffering ring	1	
10	60072118	Seal ring	1	
11	60169597	Opening Retainer Ring	1	
12	24001034	O-ring	1	
13	A880808070031	Dust Ring	1	
14	60080432	Retainer Ring	1	
15	60147156	Steel Pipe Assy	1	
16	A210209000015	Screw	1	
17	60080467	Steel Ball	1	
18	B210609000280	O-Ring-34.59×2.62AS568-126	1	
19	60080404	Retainer Ring	1	
20	60080520	Hole seal	1	
21	60080420	formed guide ring	2	
22	60080530	Dust contain ring	2	
23	60164287	PISTON	1	
24	60080486	Bumper Sleeve	1	
25	60164290	PISTON ROD	1	
26	A880899010002	Fitting, Grease	2	
27	60072310	A-shaft sleeve	2	
28	60080454	Dust Ring	4	
29	60208557	Cylinder Repair Kit	1	



No.	Part No.	Description	Qty	Page number
1	60072313	A-shaft sleeve	2	
2	A880808070035	Dust ring	4	
3	A880899010002	Fitting, Grease	2	
4	60080506	Piston Rod	1	
5	60080531	Dust contain ring	2	
6	60080421	formed guide ring	2	
7	60080514	Hole seal	1	
8	60080495	Piston	1	
9	60080403	Retainer Ring	2	
10	A880802010091	O-ring	1	
11	60020647	concaveFastening screw	1	
12	60080467	Steel Ball	1	
13	60147153	Steel Pipe Assy	1	
14	60080433	Retainer Ring	1	
15	B230101002164	Dust ring	1	
16	24001029	O-ring	1	
17	60080474	Sliding shaft sleeve	1	
18	60080424	Retainer Ring	1	
19	60208579	Opening retainer ring	1	
20	60184741	Seal Ring	1	
21	B230101002165	Seal ring	1	
22	60208564	Guide sleeve	1	
23	60080413	Retainer Ring	3	
24	A210608000098	O-ring	2	
25	60080466	cylinder body component	1	
26	60080509	Clip	2	
27	A210108000085	Bolt	1	
28	60147157	Steel Pipe Assy	1	
29	60208554	Cylinder Repair Kit	1	



No.	Part No.	Description	Qty	Page number
1	12076732	Tightening cover	5	
2	12076675	Bucket Tooth	5	
3	132799000058A	Side bucket teeth	1	
4	132799000057A	Side bucket teeth	1	
5	60012073	Nut	6	
6	A210111000301	Bolt	6	
7	12076709	Bucket Tooth Pin	5	





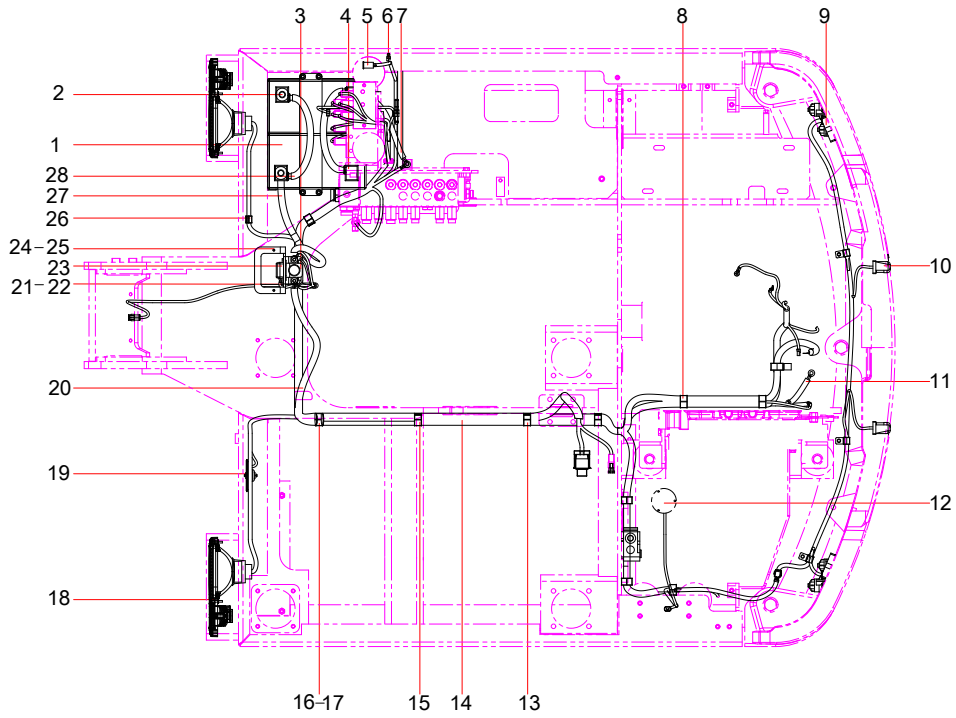
No.	Part No.	Description	Qty	Page number
1	10574181	Bushing	2	
2	10574183	Bushing	2	

BLANK PAGE

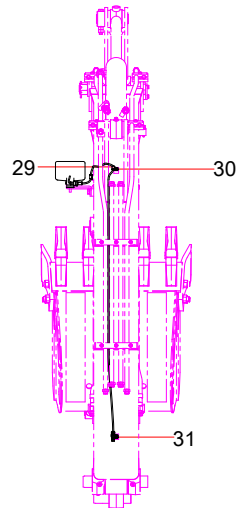
# Group 5

## SY60W9K3R Electrical System

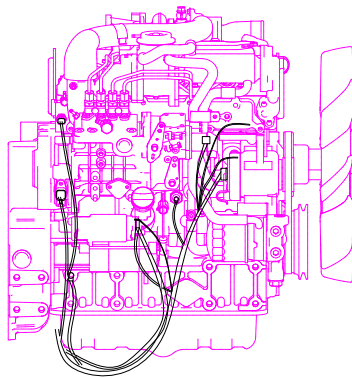
车身电器分装视图



工作装置视图

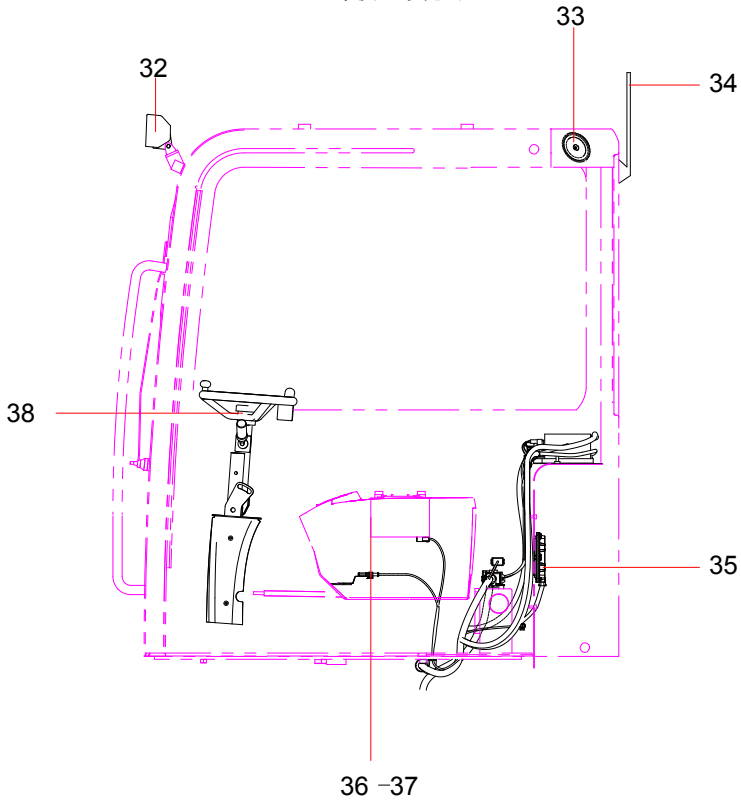


发动机线束走向图

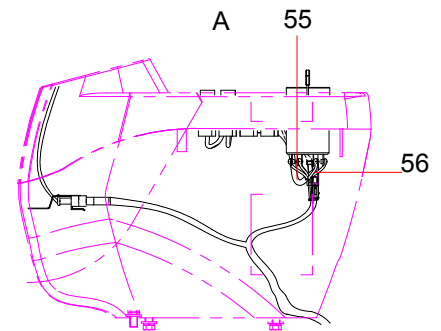


No.	Part No.	Description	Qty	Page number
1	B242200000026	Storage Battery	2	
2	60013322	Terminal Assembly,Battery,Positive	2	
3	60212612	DC contactor	1	
4	60013321	Terminal Assembly,Battery,Negative	2	
5	B241000000022	Receptacle,Power	1	
6	60197034	Cluster Fixed Lace	4	
7	60193172	Power line	1	
8	60086357	Clamp	2	
9	60259481	Working light	1	
10	60259482	Working light	2	
11	60215131	Power Supply Line	1	
12	60217070	Reversing alarm	1	
13	60149606	Clamp	4	
14	14444936	Vehicle Body Harness	1	
15	60083322	Clamp	4	
16	A210111000012	Bolt	10	
17	60060546	Washer	14	
18	60259480	Working light	1	
19	60211509	Horn	2	
20	60193170	Power line	1	
21	A210111000079	Bolt	2	
22	24000632	Washer	16	
23	A241300000059	Fuse Housing	1	
24	12878512	Relay mounting plate	1	
25	12353689	relay protective cover	1	
26	60086354	Clamp	3	
27	60193171	Power line	1	
28	60193169	Power line	2	
29	60086353	Wire Clamp	2	
30	A210111000343	Bolt	2	
31	60041902	90 Degree Metal Mounting Bracket	6	

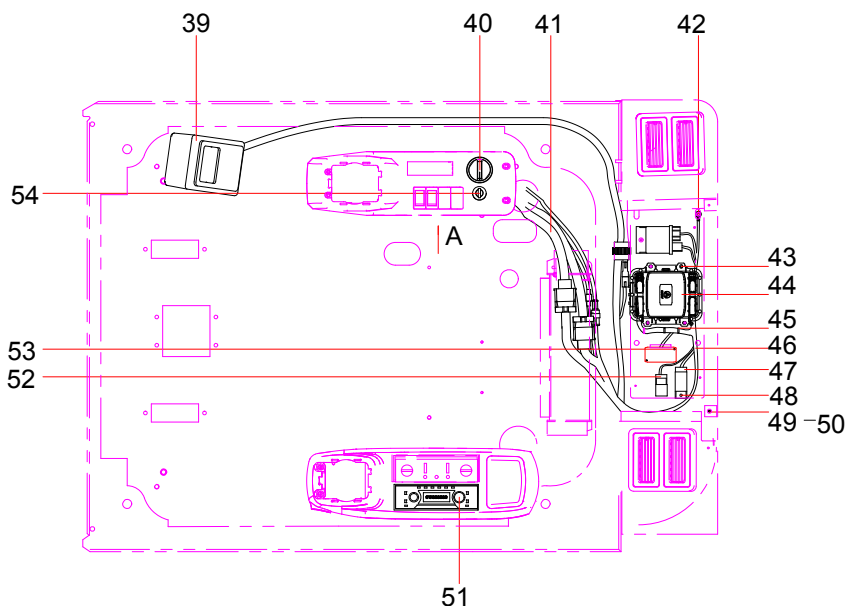
驾驶室侧视图



右扶手箱封装视图



驾驶室内封装视图



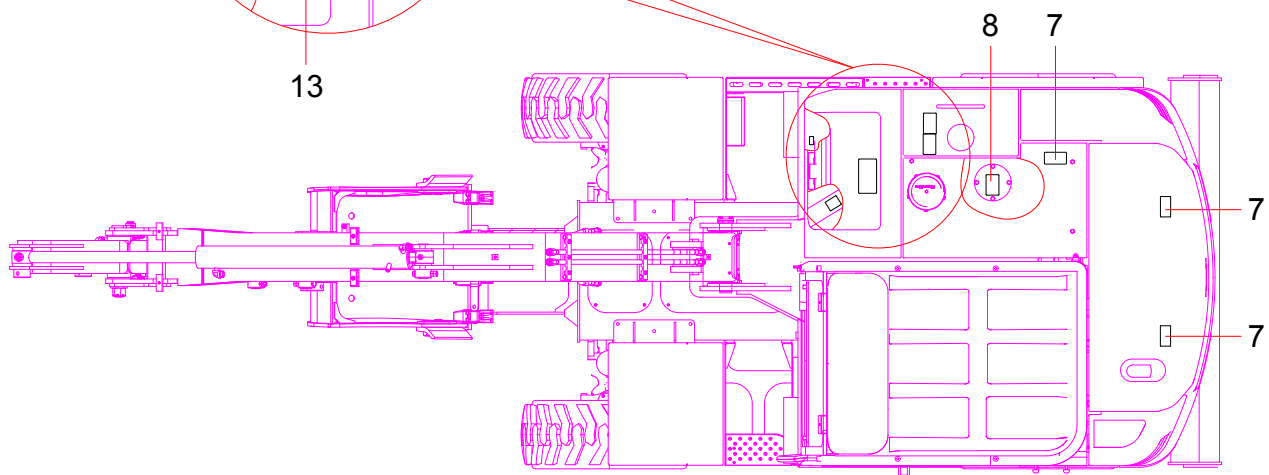
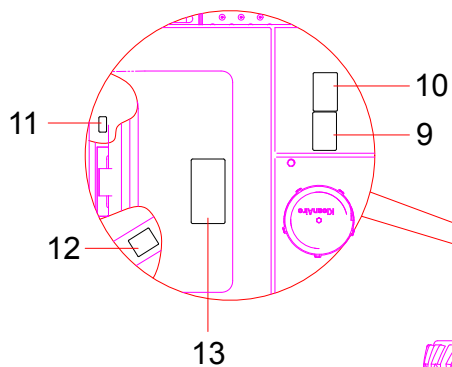
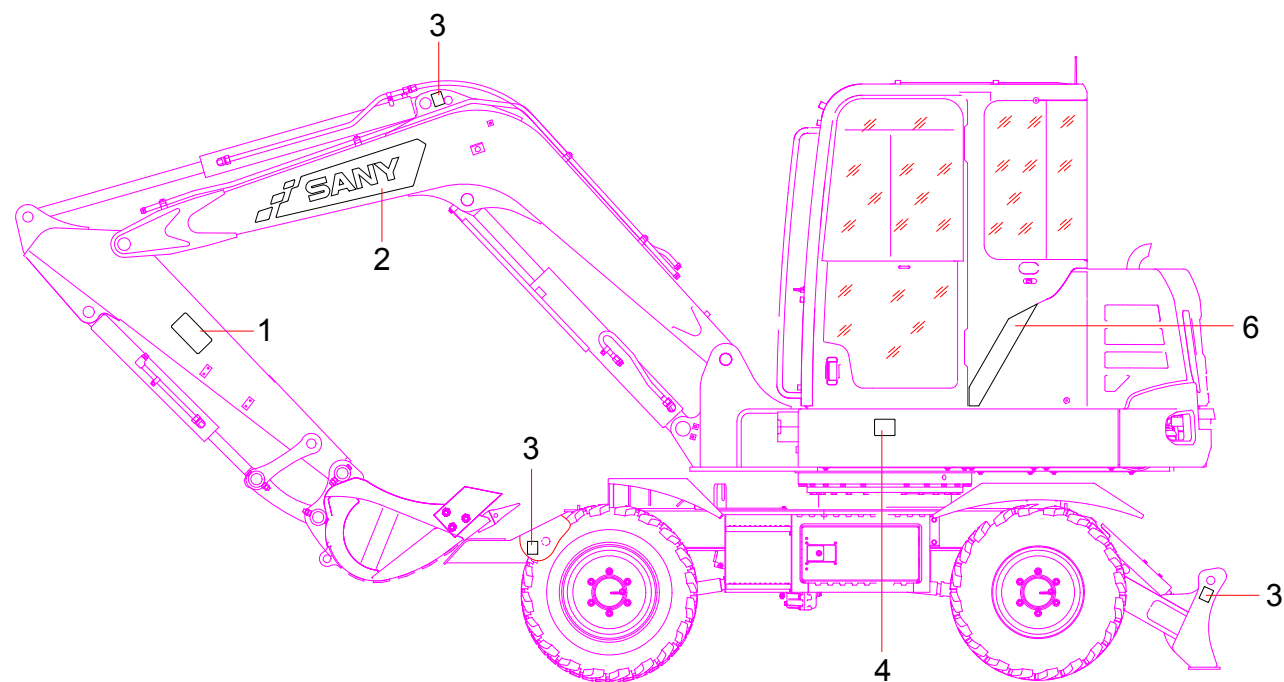
No.	Part No.	Description	Qty	Page number
32	60232826	Lamp,Working	3	
33	60358261	Speaker	1	
34	60023704	Antenna	1	
35	13368144	Sany Encourage Hydraulic Control Unit	1	
36	A210210000002	Screw	2	
37	24000630	Washer	2	
38	60254620	Direction machine assembly	1	
39	14427233	Sany Encourage Control Display	1	
40	60211508	Knob Switch	1	
41	14444920	Bottom wiring harness	1	
42	A210307000036	Nut	4	
43	24002251	Screw	4	
44	12824424	Integrated box	1	
45	60202078	Cluster Fixed Lace	3	
46	14444862	driver's cab harness	1	
47	60034854	Wiper Clearance Relay	1	
48	A210210000030	Screw	3	
49	24000633	Washer	4	
50	A210111000088	Bolt	2	
51	60047845	Radio	1	
52	60306195	flasher relay	1	
53	A210204000217	Screw	10	
54	A241200001217	Key Switch	1	
55	14444865	Control Switch Harness	1	
56	14339321	harness of arm-rest box	1	

BLANK PAGE

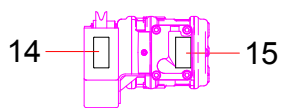


# Group 6

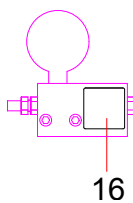
# Coating



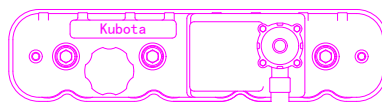
压缩机



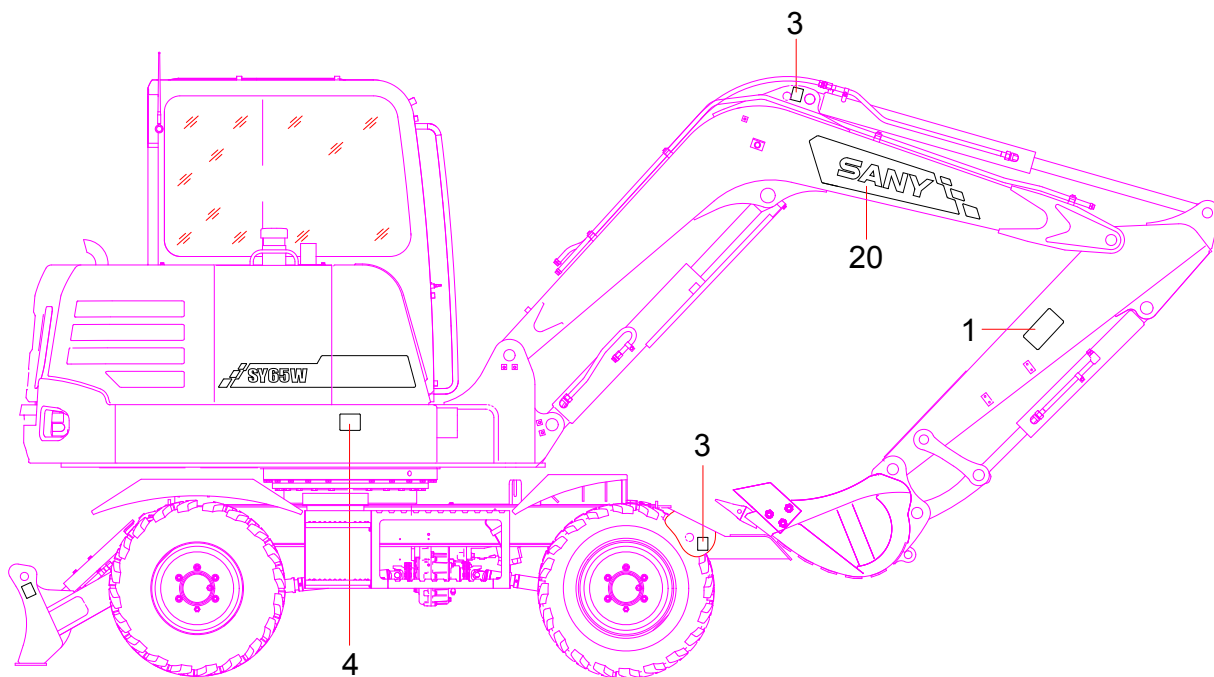
蓄能器



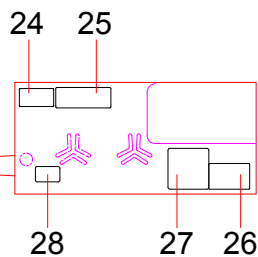
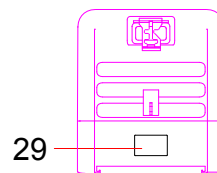
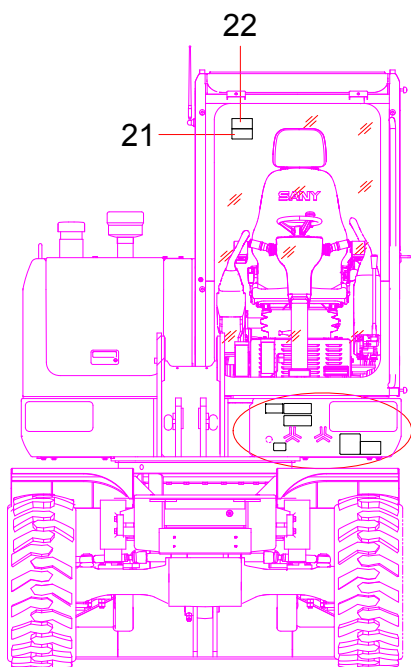
发动机气门盖板



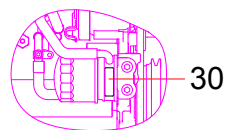
No.	Part No.	Description	Qty	Page number
1	10124614	Caution plate of bucket rod	2	
2	13793111	beam left decal	1	
3	12052087	Mark Diagram of Hook Point	6	
4	12052090	Center-of-gravity mark	2	
6	13792730	cab marking	1	
7	12016795	Caution board of "No Standing"	3	
8	14232291	coating	1	
9	14294773	coating	1	
10	A820601991047	Logo plate of fuel tank	1	
11	13148777	Power sign	1	
12	13946275	Battery power off warning board	1	
13	A820601990926	Decal, warning, fall	2	
14	12496544	Caution board of belt security	1	
15	A820699001284	Decal, instruction, refrigerant change	1	
16	13166740	Accumulator decal	1	



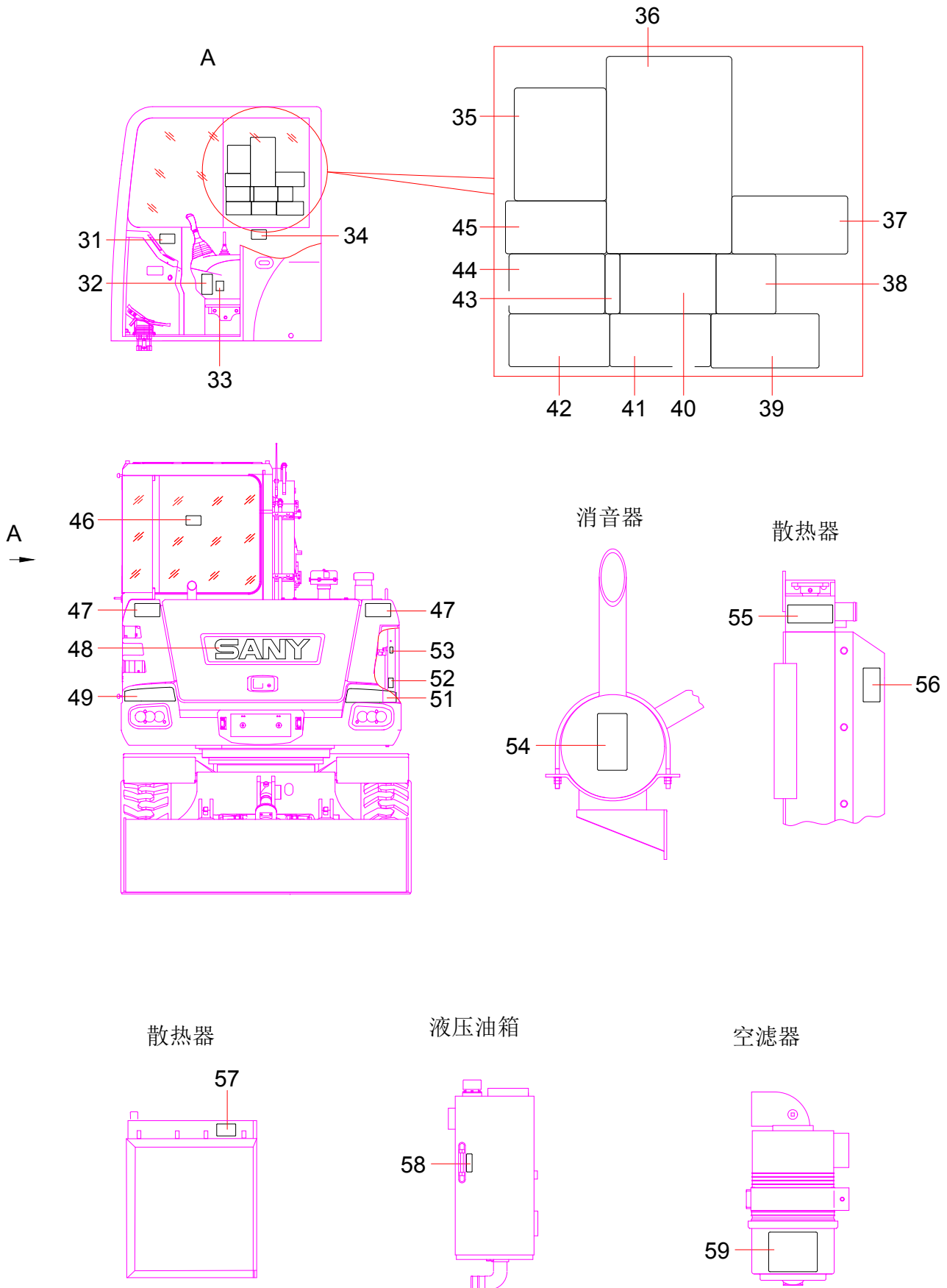
向上打开的前机罩盖



机油滤清



No.	Part No.	Description	Qty	Page number
1	10124614	Caution plate of bucket rod	2	
3	12052087	Mark Diagram of Hook Point	6	
4	12052090	Center-of-gravity mark	2	
20	13793108	beam right decal	1	
21	12080939	Windscreen wiper caution board	1	
22	12052088	Front window lock caution board	1	
24	12540826	Add grease to swing bearing	1	
25	14198079	Hydraulic Wheeled Excavator	1	
26	13411152	Lifting Marking	1	
27	10385320	Noise marker	1	
28	11172196	Revolving gear oil filler mark	1	
29	13946290	Specification of solenoid valve assembly function board	1	
30	13974716	The direction of oil filter bottom	1	



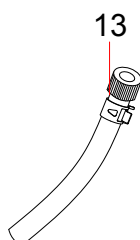
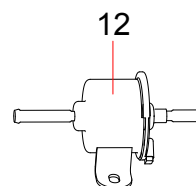
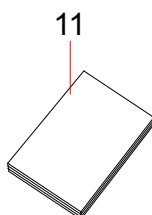
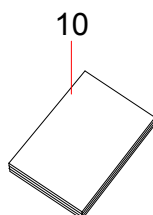
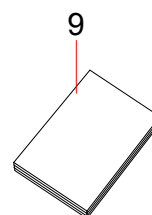
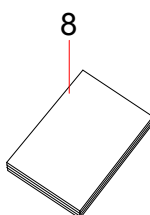
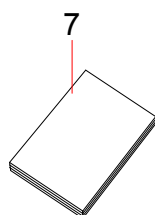
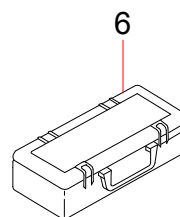
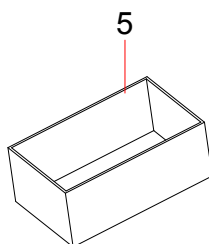
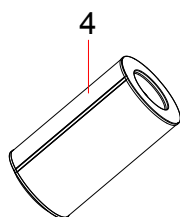
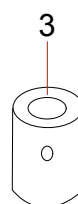
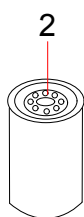
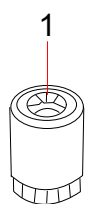
No.	Part No.	Description	Qty	Page number
31	11604972	Caution board of working mode	1	
32	12076696	Caution board of "No handhold"	1	
33	A820601990927	Decal, unlock	1	
34	A820601990967	Decal, instruction, seat adjustment	1	
35	11809799	Suffering Power Of Single Side Forbidden	1	
36	13541716	Lubricating graphic chart	1	
37	13411168	Loading Warning Lable	1	
38	13411151	Sign of Forbidding Tilting Machine When Working	1	
39	12052084	Seat safety caution board	1	
40	A820699001024	Warning sign	1	
41	14465783	high pressure avoid warning signs	1	
42	12496543	Refer to the caution plate of user's guide	1	
43	A820601000014	Control indicating board of bulldozing shovel	1	
44	A820601990961	Decal, instruction, operation	1	
45	12496541	Key Power-down Caution Panel	1	
46	12052089	Security exit nameplate	1	
47	A820601991049	Counterweight warning board	2	
48	12880634	counerweight marking	1	
49	12880533	counterweight left reflective coating	1	
51	12880559	counterweight right reflective coating	1	
52	12648410	fuel cleaner decal	1	
53	13132241	Power supply socket	1	
54	12052083	Warning nameplate for hand burning	1	
55	12496540	Antispray caution plate	1	
56	12052082	Fan tough caution board	1	
57	11992504	Scheduled cleaning radiator nameplate	1	
58	A820601990928	Oil level label	1	

BLANK PAGE

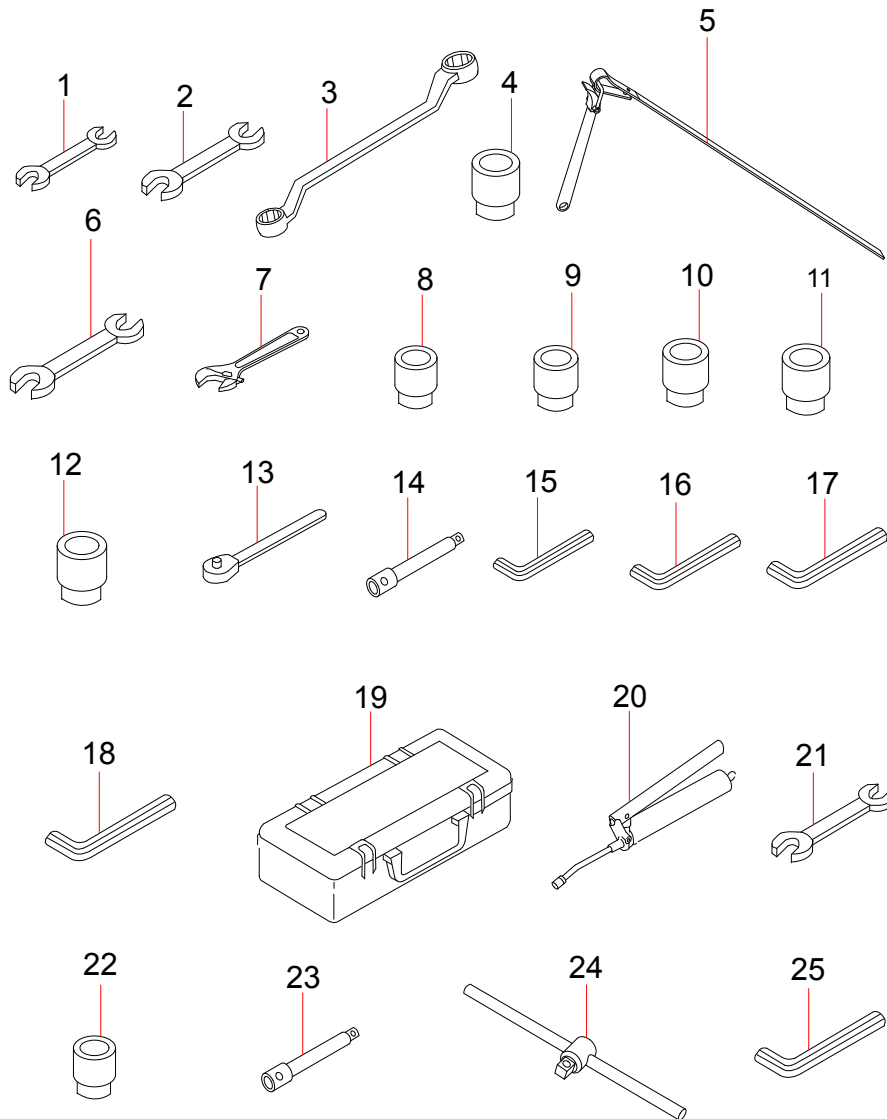


# Group 7

## Attached accessories



No.	Part No.	Description	Qty	Page number
1	11826337	SANY excavator maintenance and guarantee(English)	1	
2	60212325	Operation manual of engine	1	
3	60041997	Accessories Box	1	
4	14042580	Accompanying tools	1	7-4
5	60151839	Diesel cleaner filter core	1	
6	60220063	Diesel Fine Filter Core	1	
7	60220064	Engine oil cleaner element	1	
8	B222100000593	Main cartridge of air cleaner	1	
9	13685248	spare parts drawing volume	1	
10	SSY004575188	Operation and maintenance handbook of excavator	1	
11	13106659	Operator Instruction	1	
12	60276052	fuel pump	1	
13	60348362	Discharge oil	1	



No.	Part No.	Description	Qty	Page number
1	A260401030028	Double-ended spanner	1	
2	A260401030007	Spanner, double-ended	1	
3	A260401030100	Wrench, box end	1	
4	60001295	Socket	1	
5	B260401090024	Spanner, belt	1	
6	A260401030005	Spanner, double-ended	1	
7	A260401040004	Spanner, adjustable	1	
8	A260401010025	Socket	1	
9	A260401010063	Socket	1	
10	A260401010027	Socket	1	
11	A260401010051	Socket 24×12.5GB3390.1	1	
12	A260401010029	Socket	1	
13	A260401090010	Wrench ratchet	1	
14	A260401010092	Connecting rod	1	
15	A260401020009	Wrench, allen	1	
16	A260401020010	Wrench, allen	1	
17	A260401020011	Wrench, Allen 8RGB5356	1	
18	A260401020004	Wrench, allen	1	
19	A290000000155	Toolbox, portable	1	
20	B260409000015	High pressure grease gun	1	
21	A260401030031	Double-ended spanner	1	
22	A260401010062	Socket	1	
23	A260401010021	Extension, socket	1	
24	60001294	T-handle	1	
25	A260401020006	Inner Hex Spanner	1	

BLANK PAGE

# Appendix A      Alphabetical Index

2-section gear pump 60259660 .....	2-17
3-way block 13355697 .....	3-25
5.5T Arm oil cylinder 60199322 .....	4-21
5.5T Boom oil cylinder 60199321 .....	4-21
5.5T Bucket oil cylinder 60199320 .....	4-23
90 Degree Metal Mounting Bracket 60041902 .....	5-3
A INTERNAL GEAR 60164215 .....	2-33
A-shaft sleeve 60072310 .....	4-27
A-shaft sleeve 60072313 .....	4-25, 4-29
A229900003883 A229900003883 .....	2-109
Access board 13403223 .....	3-3
Access board 13403251 .....	3-7
Access board 13403252 .....	3-7
Access board 13403255 .....	3-7
Accessories Box 60041997 .....	7-3
Accompanying tools 14042580 .....	7-3
Accumulator decal 13166740 .....	6-3
accumulator 60259943 .....	2-73
accumulator 60291934 .....	2-97
actuator assy 60215879 .....	2-285
Adapter 11251714 .....	2-179
Adapter 11331654 .....	2-179
Adapter 60321167 .....	2-61
Adapter 60321168 .....	2-61
Adapter 61008853 .....	2-245
Adaptor, Grease A210804000002 .....	2-3, 3-3, 3-7, 4-7, 4-15, 4-17, 4-19
Add grease to swing bearing 12540826 .....	6-5
ADJUSTING BUSHING 60152128 .....	3-31
ADJUSTMENT SHIM 60152146 .....	3-29
ADJUSTMENT SHIM 60291750 .....	2-59
Air cleaner sensor 60148482 .....	2-177
Air cleaner 60218893 .....	2-177
Air conditioning 12910031 .....	2-3
air filtering bracke 13073275 .....	2-177
air intake rubber hose 13073422 .....	2-177
air intake rubber hose 13073423 .....	2-177
air intake tube 13100912 .....	2-177
Air outlet of air-conditionerl 60180803 .....	2-121
Air-condition Assy 60213361 .....	2-281
Alternator (component parts) 61008844 .....	2-183
Alternator 60280790 .....	2-233, 2-235
Alternator 61008843 .....	2-183
Anchor Ear 12832556 .....	2-171
Antenna 60023704 .....	2-109, 5-5
ANTIEXTRUSION 60290750 .....	2-57
Antispray caution plate 12496540 .....	6-7
Arm groupware 60317870 .....	2-37
Arm, valve brige 61008559 .....	2-195
Ashtray 60052626 .....	2-121
Assembly of left pillar 11315121 .....	2-147
Assembly of rear hood 12259580 .....	2-151
Assembly of rear hood 12259581 .....	2-139
Assembly of right pillar 11287738 .....	2-147
ASSY ARMATURE 60219937 .....	2-239
ASSY BOLT,ADJUSTMENT 60219645 .....	2-223
ASSY BRACKET,FRONT 60220015 .....	2-239
ASSY BRACKET,REAR 60219975 .....	2-239
ASSY CAMSHAFT 60219552 .....	2-205
ASSY CLAMP,INJECTION 60220013 .....	2-227
ASSY CONNECTOR 60219993 .....	2-269
ASSY CONNECTOR 60219994 .....	2-269
assy cooler EGR 60244612 .....	2-257

ASSY COOLER,OIL 60219979 .....	2-263
ASSY COUPLER 60219996 .....	2-269
ASSY COVER FRONT 60219505 .....	2-201
Assy cover,cyl.head 61008562 .....	2-199
ASSY CRANKCASE 60219445 .....	2-187
Assy crankcase 61008550 .....	2-183
Assy cylinder head 61008554 .....	2-193, 2-195
ASSY FILTER,FUEL 60220024 .....	2-225
assy gear 60218766 .....	2-239
ASSY HOLDER,BRUSH 60219940 .....	2-239
ASSY HOLDER,NOZZLE 60220012 .....	2-227
ASSY HOSE 60220029 .....	2-259
ASSY HOUSING,F/WHEEL 60280797 .....	2-207
Assy housing,f/wheel 61008578 .....	2-207
ASSY HOUSING,I/P 60219594 .....	2-211
ASSY LEVER,SET 60219966 .....	2-239
assy manifold inlet 60244605 .....	2-251
ASSY PIPE,OVER FLOW 60220050 .....	2-227
ASSY PISTON RING 60219520 .....	2-203
ASSY PISTON RING 60219521 .....	2-203
Assy pump,injection 61008824 .....	2-213
ASSY PUMP,WATER 60220036 .....	2-247
ASSY REGULATOR 60219944 .....	2-235
ASSY ROCKER ARM,EXH. 60219492 .....	2-197
ASSY ROCKER ARM,IN. 60219489 .....	2-197
ASSY SHAFT,CLUTCH 60219988 .....	2-239
ASSY SHAFT,GEAR 60219934 .....	2-239
Assy solenoid 61008849 .....	2-241
ASSY STARTER 60220014 .....	2-237, 2-239
assy swith magnetic 60218770 .....	2-239
ASSY TERMINAL 60219950 .....	2-269
ASSY THERMOSTAT 60219984 .....	2-245
ASSY TURBO CHARGER 60220043 .....	2-259
ASSY WEIGHT,GOVERNOR 60219617 .....	2-219
ASSY WEIGHT,GOVERNOR 60219621 .....	2-219
ASSY WEIGHT,GOVERNOR 60219626 .....	2-219
ASSY YOKE 60220062 .....	2-239
ASSY-GEAR,CRANKSHAFT 60219533 .....	2-203
ASSY-ROD,CONNECTING 60219524 .....	2-203
Attached accessories 13423946 .....	1-3
B1 GEAR 60164205 .....	2-33
B2 GEAR 60164207 .....	2-33
bab front control box 60282267 .....	2-119
back inner-decorated of right-hand wall 60146546 .....	2-119
Back sponge 10541185 .....	2-279
Back sponge A820699000215 .....	2-135
BACK UP RING 60164340 .....	2-31
BACK-UP PLATE 60152378 .....	3-29
BACK-UP PLATE 60152402 .....	3-29
BACK-UP PLATE 60291765 .....	2-59
Backrest cushion local Fabric gray 60153633 .....	2-127, 2-129
Backrest extension local fabric gray 60153648 .....	2-127, 2-129
Backrest gs.Scr. 60153632 .....	2-127, 2-129
balanced cylinder valve group 60258967 .....	3-19
Ball bearing 60320626 .....	3-11
Ball bearing 60320628 .....	3-11
Ball bearing 60320639 .....	3-11, 3-13
Ball bearing 60320641 .....	3-13
BALL F.DRKN.GALV.BLACK 60153669 .....	2-127, 2-129
ball plug 60307209 .....	2-97
ball 60218772 .....	2-239
BALL 60291874 .....	2-91
BALL 60291883 .....	2-91
BALL 60291884 .....	2-91
BALL 60291887 .....	2-91
Ball 61008555 .....	2-193
BAND,HOSE 60219496 .....	2-257, 2-263



band(pipe) 60244618 .....	2-257
BARREL HOLDER 60164320 .....	2-29
base lower sponge 14140629 .....	2-101
Battery atten 10569316 .....	2-3
battery atten 11225713 .....	2-3
Battery Cover 11685533 .....	2-3
Battery power off warning board 13946275 .....	6-3
Bayonet catch of top shed 60052639 .....	2-105
beam left decal 13793111 .....	6-3
beam right decal 13793108 .....	6-5
BEARING BALL 60124355 .....	2-235
BEARING-LINER 60291752 .....	2-61
BEARING,BALL 60219553 .....	2-205
BEARING,BALL 60219608 .....	2-217
BEARING,BALL 60219609 .....	2-217
BEARING,BALL 60280793 .....	2-235
Bearing 60123229 .....	3-29
BEARING 60164197 .....	2-29
BEARING 60164198 .....	2-29
BEARING 60164202 .....	2-33
BEARING 60164203 .....	2-33
bearing 60218775 .....	2-239
BEARING 60219574 .....	2-207
BEARING 60219575 .....	2-207
BEARING 60291863 .....	2-91
Behind bumper Sleeve 60080468 .....	4-25
Bellows 60192531 .....	2-85
Block Support Abutment component 12856254 .....	2-163
Block 60286672 .....	3-27
block 60290803 .....	2-95
BLOCK 60291877 .....	2-91
blower motor assy 60216322 .....	2-285
Board 10541233 .....	2-13
Board 10542627 .....	2-13, 4-3, 4-7
Board 12837075 .....	2-279
BODY H 60164223 .....	2-29
BODY J KIT SUN ASSY 60164224 .....	2-29
BODY 60164305 .....	2-33
BODY 60290736 .....	2-57
BODY 60291821 .....	2-57
body 60291842 .....	3-33
Bolt A210111000092 .....	2-3, 2-177
Bolt A210111000202 .....	2-3, 2-17, 2-143, 2-171, 3-9
Bolt A210111000204 .....	2-143
Bolt A311141609016 .....	2-3
bolt eye joint 60218922 .....	2-227
BOLT FLANGE 60124464 .....	2-219
bolt flange 60218793 .....	2-257
bolt flange 60218805 .....	2-247
bolt flange 60218830 .....	2-257
bolt flange 60218835 .....	2-245
bolt flange 60218937 .....	2-243
bolt flange 60219056 .....	2-251
Bolt M10×1.25×30 (GB5786) Grade 10.9 21086590 .....	2-179
Bolt M10×20GB5783 dacrotizing 24000272 .....	3-35
Bolt M10×25GB5783 dacrotizing 24000275 .....	3-35
Bolt M12×1.25×25GB5786 Grade 10.9 A210114000124 .....	2-169
bolt stud 60218848 .....	2-259
BOLT THROUGH 60124490 .....	2-235
Bolt, socket head 60008786 .....	2-85
Bolt, socket head A210204000334 .....	2-281
BOLT,ADJUSTING 60219648 .....	2-223
Bolt,adjustment 61008834 .....	2-223
BOLT,CONNECTING ROD 60219526 .....	2-203
BOLT,CRANKCASE 60219446 .....	2-187, 2-193
BOLT,EYE JOINT 60219583 .....	2-209
BOLT,EYE JOINT 60219976 .....	2-261

BOLT,FLANGE 60219447	2-187, 2-237
BOLT,FLANGE 60219454	2-189
BOLT,FLANGE 60219462	2-193
BOLT,FLANGE 60219493	2-197
BOLT,FLANGE 60219498	2-199, 2-257
BOLT,FLANGE 60219517	2-201
BOLT,FLANGE 60219558	2-205, 2-263
BOLT,FLANGE 60219562	2-205
BOLT,FLANGE 60219572	2-207
BOLT,FLANGE 60219573	2-207
BOLT,FLANGE 60219576	2-207
BOLT,FLANGE 60219580	2-207
BOLT,FLANGE 60219591	2-209
BOLT,FLANGE 60219603	2-213, 2-245, 2-255, 2-257
BOLT,FLANGE 60219614	2-217, 2-219, 2-255, 2-261
BOLT,FLANGE 60219954	2-249
BOLT,FLANGE 60219955	2-227, 2-251
BOLT,FLANGE 60219956	2-233
BOLT,FLANGE 60219958	2-233
BOLT,FLANGE 60219959	2-255
BOLT,FLANGE 60280788	2-253
BOLT,FLANGE 60280791	2-233
BOLT,FLYWHEEL 60219567	2-207
BOLT,IDLING ADJUST 60219649	2-223
BOLT,JOINT 60219600	2-213
BOLT,JOINT 60219981	2-225
BOLT,JOINT 60219982	2-225, 2-261
BOLT,SEMS 60219999	2-259
BOLT,SOCKET HEAD 60220005	2-241
BOLT,STUD 60219632	2-219
BOLT,STUD 60220003	2-237
BOLT,W SEMS(LARGE WASHER) 60220000	2-233
Bolt 21050508	3-5
Bolt 23002093	3-5, 4-5, 4-11, 4-13, 4-15, 4-17, 4-19
Bolt 24000303	3-3
Bolt 60122059	2-169
BOLT 60124546	2-259
BOLT 60124565	2-235
BOLT 60124566	2-235
bolt 60212421	2-169
BOLT 60219504	2-199
BOLT 60220001	2-249
BOLT 60220002	2-259
Bolt 60225886	2-63, 2-179
bolt 60291845	3-33
bolt 60291848	3-33
BOLT 60291879	2-91
Bolt 60320649	3-11, 3-13
Bolt 60320671	3-11
Bolt 61008833	2-223
Bolt 61008837	2-223
Bolt A210108000085	4-25, 4-27, 4-29
Bolt A210108000097	3-19
Bolt A210110000239	2-3
Bolt A210110000317	3-3
Bolt A210110000353	4-9
Bolt A210111000011	2-277, 3-3, 3-5, 3-7, 3-9
Bolt A210111000012	2-83, 2-101, 2-173, 2-177, 4-3, 4-7, 4-9, 5-3
Bolt A210111000024	2-83, 2-125, 2-135, 2-137, 2-147, 2-165, 2-173, 2-281
Bolt A210111000026	2-143
Bolt A210111000055	3-7
Bolt A210111000056	3-7
Bolt A210111000079	2-151, 5-3
Bolt A210111000082	2-281
Bolt A210111000088	5-5
Bolt A210111000089	3-7
Bolt A210111000090	2-181

Bolt A210111000095 .....	3-25
Bolt A210111000097 .....	2-17
Bolt A210111000098 .....	2-73, 2-281
Bolt A210111000106 .....	3-7
Bolt A210111000195 .....	2-151
Bolt A210111000197 .....	2-125, 2-135, 2-137, 2-147, 2-171, 2-279, 3-7
Bolt A210111000203 .....	2-173
Bolt A210111000210 .....	2-169
Bolt A210111000212 .....	2-5, 3-25
Bolt A210111000240 .....	2-125
Bolt A210111000263 .....	4-3
Bolt A210111000293 .....	2-179
Bolt A210111000301 .....	4-31
Bolt A210111000323 .....	2-169, 2-171, 2-281
Bolt A210111000342 .....	2-25, 2-101, 2-125, 2-173
Bolt A210111000343 .....	2-101, 2-113, 2-125, 2-177, 2-281, 5-3
Bolt A210111000347 .....	3-3
Bolt A210111000348 .....	3-21
Bolt A210113000266 .....	2-169
Bolt A210199000016 .....	2-179
Bonnet Lock A222200000103 .....	2-151
Bottom board rack 13381909 .....	2-101
Bottom board 13374187 .....	2-135
Bottom wiring harness 14444920 .....	5-5
Brace piece axial pin 10543251 .....	4-3
Brace piece axial pin 11678642 .....	4-9
bracket assembly 13517745 .....	2-137
Bracket Component 11665641 .....	2-147
Bracket, lamp A820101322531 .....	4-3
BRACKET,INJ.PUMP 60219590 .....	2-209
BRACKET,ROCKER ARM 60219482 .....	2-197
BRAKE PISTON 60164355 .....	2-29
brake valve plate 60251601 .....	2-71
BrakeValve 60254636 .....	2-71
breather cover 60244625 .....	2-199
breather pipe 60244628 .....	2-199
Breather Valve 60237031 .....	2-15
BRK41-20F06K00D0612 60291741 .....	3-31
BRKT ASSY-T/PULLEY MTG 60030552 .....	2-283
BRUSH,SPRING 60219939 .....	2-239
BRUSH 60124727 .....	2-235
BRUSH 60220033 .....	2-239
Bucket Arm 14532476 .....	4-7
Bucket groupware 60317869 .....	2-37
Bucket Tooth 12076675 .....	4-31
Bucket Tooth Pin 12076709 .....	4-31
Bucket 12158004 .....	4-19
Bucket SSY004729739 .....	3-15
Buffering ring A880806030060 .....	4-27
Bulldozing shovel assem SSY004737772 .....	3-5
Bulldozing shovel oil cylinder 13377345 .....	3-19
Bulldozing shovel plate Assembly 60317874 .....	2-37
bumper ring 60080477 .....	4-25
Bumper Sleeve 60080482 .....	4-25
Bumper Sleeve 60080486 .....	4-27
BUSH INSULATION 60124523 .....	2-235
BUSH,IDLE GEAR 60219564 .....	2-205
BUSH,PISTON PIN 60219525 .....	2-203
Bush 60008806 .....	2-85
Bushing 10574181 .....	4-33
Bushing 10574183 .....	4-33
Bushing 60153704 .....	2-127, 2-129
Bushing A820208000293 .....	3-15
Butter Nozzle 60017380 .....	4-3
BVD20F27S/41B-V06R24D0612S00 60291719 .....	3-31
cab assem 13387305 .....	2-3
cab marking 13792730 .....	6-3

cab shock absorber 60039790 .....	2-135
cab shock absorber 60039791 .....	2-135
Camshaft and idle gear shaft 61008576 .....	2-183
CAMSHAFT,FUEL 60219606 .....	2-217
Cap nut assy 61008835 .....	2-223
CAP SEALING 60124571 .....	2-187
CAP SEALING 60124573 .....	2-187, 2-193
CAP,SEALING 60219449 .....	2-187
CAP,SEALING 60219450 .....	2-187
CAP,SEALING 60219464 .....	2-193, 2-201
CAP 60164270 .....	2-31
CAP 60219593 .....	2-209
CARRIER 1 KIT 60164151 .....	2-33
CARRIER 1 60164150 .....	2-33
CARRIER 2 KIT 60164152 .....	2-33
CARRIER 2 60164146 .....	2-33
Casing 60235882 .....	2-85
Caution board of "No handhold" 12076696 .....	6-7
Caution board of "No Standing" 12016795 .....	6-3
Caution board of belt security 12496544 .....	6-3
Caution board of working mode 11604972 .....	6-7
Caution plate of bucket rod 10124614 .....	6-3, 6-5
ceiling trim assy 60146533 .....	2-105
CENTER PIN 60291726 .....	3-29
Center Swivel Joint 60278482 .....	3-25
center valve repair kit 60307980 .....	3-33
Center-of-gravity mark 12052090 .....	6-3, 6-5
Central sponge 10742773 .....	2-141
Check nut 11817218 .....	3-35
check valve group 60258966 .....	2-73
CHECK VALVE 60164173 .....	2-29
check valve 60286673 .....	3-27
check valve 60290806 .....	2-95
CHECK VALVE 60291870 .....	2-91
check valve 60291935 .....	2-97
CheckValve 60278827 .....	2-15
cigarette lighter 60264881 .....	2-121
CIR CLIP,EXTERNAL 60219639 .....	2-221
CIR CLIP 60219523 .....	2-203
CIR-CLIP,EXTERNAL 60219638 .....	2-221
CIR-CLIP,EXTERNAL 60219640 .....	2-221
Cir-clip 61008836 .....	2-223
Circlip 60320640 .....	3-13
Circlip 60320643 .....	3-13
Circlip 60320644 .....	3-13
Circlip 60320661 .....	3-13
circular taper pin with inner screw thre 60047540 .....	3-17
clamp hose 60244623 .....	2-257
clamp hose 60308572 .....	2-261
CLAMP PIPE 60124483 .....	2-229
CLAMP PIPE 60124484 .....	2-229
clamp pipe 60244624 .....	2-257
Clamp ring 60080510 .....	4-25
Clamp, Hose A229900001347 .....	2-171
Clamp, pipe, rubber A820202005473 .....	2-13
Clamp, T-bolt A229900003759 .....	2-177
Clamp, T-Type 21004569 .....	2-177
CLAMP,BREATHHER TUBE 60219497 .....	2-199
CLAMP,CORD 60220044 .....	2-235
CLAMP,HOSE 60220026 .....	2-257, 2-263
CLAMP,HOSE 60220027 .....	2-259
CLAMP,PIPE 60219972 .....	2-261
clamp 11176128 .....	4-23
Clamp 60083322 .....	5-3
Clamp 60086354 .....	2-179, 2-281, 5-3
Clamp 60086356 .....	2-281, 3-21
Clamp 60086357 .....	5-3

Clamp 60149606 .....	5-3
Clamp 60240503 .....	2-173
Clamp A229900001345 .....	2-173
Clamp A229900002031 .....	2-177
Clamp A229900003104 .....	2-17
CLIP PIPE 60124482 .....	2-225, 2-269
clip-evap pipe 60215887 .....	2-285
clip-htr pipe 60215885 .....	2-285
Clip, air cleaner 10083933 .....	2-177
CLIP,HOSE 60220028 .....	2-259
Clip 60080509 .....	4-25, 4-27, 4-29
clip 60215890 .....	2-285
Cluster Fixed Lace 60197034 .....	5-3
Cluster Fixed Lace 60202078 .....	5-5
clutch over running 60218765 .....	2-239
Coating 13411243 .....	1-3
coating 14232291 .....	6-3
coating 14294773 .....	6-3
COLLAR,F/CAM BEARING 60219607 .....	2-217
COLLAR,FAN 60219964 .....	2-249
COLLAR,IDLE GEAR 60219561 .....	2-205
COLLAR 60124683 .....	2-235
Collet, valve spring 61008558 .....	2-195
comp base EGR 60244613 .....	2-257
COMP.CRANKSHAFT 60219531 .....	2-203
Comp.flange,water 61008852 .....	2-245
COMP.FLYWHEEL 60280796 .....	2-207
COMP.GEAR,IDLE 60219563 .....	2-205
COMP.OIL PAN 60219453 .....	2-189
COMP.PIPE,IP OIL 60219582 .....	2-209
COMP.PIPE,OIL 60220053 .....	2-261
COMP.PIPE,OIL 60220054 .....	2-261
compressor bracket 12844466 .....	2-281
Compressor 60013770 .....	2-283
concaveFastening screw 60020647 .....	4-29
Condenser 60013771 .....	2-283
Connecting disc of flywheel shell 13398073 .....	2-169
Connecting Rod 14532482 .....	4-17
Connecting rod A260401010092 .....	7-5
Connector, Pipe B210780000041 .....	2-17, 3-19
Connector, Pipe B210780000043 .....	3-19
Connector, Pipe B210780000180 .....	2-71, 2-83
Connector, pipe B210780000626 .....	2-21
Connector, pipe B210780000827 .....	2-71, 3-21
Connector, pipe B210780000979 .....	2-71, 2-77, 2-81, 2-83
Connector, pipe B210780001347 .....	2-17
Connector,pipe B210780000174 .....	2-73
Connector 10541251 .....	2-69, 2-77, 3-21, 3-23
Connector 10547806 .....	2-11
connector 13053044 .....	3-21
CONNECTOR 60124717 .....	2-269
CONNECTOR 60124718 .....	2-269
CONNECTOR 60219989 .....	2-263
CONNECTOR 60219990 .....	2-269
CONNECTOR 60219991 .....	2-225
CONNECTOR 60219992 .....	2-225
connector 60290801 .....	2-95
Connector A820205000961 .....	3-21
Connector A820205001655 .....	3-21, 3-25
Connector A820205002464 .....	2-15
Connector A820205002468 .....	2-15
control board 13387267 .....	2-101
CONTROL BUSH 60152433 .....	3-31
CONTROL HOUSING 60152238 .....	3-31
Control indicating board of bulldozing shovel A820601000014 .....	6-7
CONTROL LENS R 60152281 .....	3-29
control lever 60312827 .....	2-133

CONTROL PART 60291727 .....	3-31
CONTROL PISTON 60291736 .....	3-31
CONTROL PISTON 60291766 .....	2-59
Control Plate 60150773 .....	2-59
control protective cover 13387271 .....	2-101
Control Switch Harness 14444865 .....	5-5
CONTROL UNIT 60213152 .....	2-283
CONTROL 60291720 .....	3-31
Controller 60280795 .....	2-265
cooling system 12888810 .....	2-167
CORD,GLOW PLUG 60220056 .....	2-227
Corrugated Tube 11082048 .....	2-63, 2-73
counerweight marking 12880634 .....	6-7
counterweight assembly 13405996 .....	2-3
counterweight left reflective coating 12880533 .....	6-7
counterweight right reflective coating 12880559 .....	6-7
Counterweight warning board A820601991049 .....	6-7
counterweight 13388102 .....	2-277
Coupling Bar 11144760 .....	2-173
Coupling 60292925 .....	2-169
Cover A820101117871 .....	2-3
COVER BEARING 60124679 .....	2-235
COVER BLACK 60153625 .....	2-127, 2-129
Cover board 13395956 .....	3-5
Cover of watering opening 60077849 .....	2-175
Cover Plate A820101343428 .....	3-7
Cover, Lock, Fuel Tank A290000002193 .....	2-181
COVER,BOOST COM.HOUS 60219634 .....	2-219
COVER,CAMSHAFT 60219549 .....	2-205
COVER,END 60219945 .....	2-235
COVER,GOVERNOR ROD 60219616 .....	2-219
COVER,OIL PUMP 60219512 .....	2-201
COVER,THERMOSTAT 60219983 .....	2-245
COVER 60124297 .....	2-215
COVER 60219579 .....	2-207
COVER 60219965 .....	2-225
COVER 60291728 .....	3-29
COVER 60291739 .....	3-29
COVER 60291860 .....	2-91
COVER 60291878 .....	2-91
Cover 60320627 .....	3-11
Cover 60320630 .....	3-11
Cover 60320636 .....	3-11
Cover 60320668 .....	3-11
Covering parts assembly 13388025 .....	2-3
Cramp 11961759 .....	2-139
cross beam assembly 13517744 .....	2-147
Cushion 10574182 .....	4-7
Cushion A820101117029 .....	2-135
CYLINDER BARREL 60164157 .....	2-29
cylinder body component 60080465 .....	4-25
cylinder body component 60080466 .....	4-29
CYLINDER BODY 60164277 .....	4-27
Cylinder head 61008553 .....	2-183
CYLINDER KC 60152210 .....	3-29
CYLINDER PIN 60089936 .....	3-29
CYLINDER PIN 60291738 .....	3-31
CYLINDER PIN 60291757 .....	2-59
Cylinder Repair Kit 60208554 .....	4-29
Cylinder Repair Kit 60208557 .....	4-27
Cylinder Repair Kit 60208559 .....	4-25
CYLINDER 60291762 .....	2-59
Cylinder 60320652 .....	3-13
damper lower backup plate 12810653 .....	2-169
Damping pad 60212661 .....	2-169
Dampling plate 13415843 .....	3-7
DAST REALING 60291859 .....	2-91

DC contactor 60212612 .....	5-3
Decal, instruction, operation A820601990961 .....	6-7
Decal, instruction, refrigerant change A820699001284 .....	6-3
Decal, instruction, seat adjustment A820601990967 .....	6-7
Decal, unlock A820601990927 .....	6-7
Decal, warning, fall A820601990926 .....	6-3
Detend ball 60320664 .....	3-13
Diesel cleaner filter core 60151839 .....	7-3
Diesel engine accessories 61008868 .....	2-185
diesel fine filter bracket 12827270 .....	2-179
Diesel Fine Filter Core 60220063 .....	7-3
Diesel oil coarse filter assembly 60212877 .....	2-179
Dipstick and guide 61008552 .....	2-183
Direction machine assembly 60254620 .....	5-5
Directional valve element 60317879 .....	2-55
Directional valve element 60317891 .....	2-41, 2-43, 2-49, 2-51, 2-53
Directional valve element 60317907 .....	2-39
Discharge oil 60348361 .....	2-179
Discharge oil 60348362 .....	7-3
DISK PLATE 60164164 .....	2-29
Display Screen cover 60146568 .....	2-121
DOCUMENT FOLDER VNL 60153650 .....	2-127, 2-129
Door Anti-Locking Assy. 60052633 .....	2-123
Door assembly 60180789 .....	2-111
Door catch 20Y-54-35690 A229900002860 .....	2-113
Door lock assembly 60180791 .....	2-113
Door lock cover plate 60146542 .....	2-113
door lower glass 60146559 .....	2-113
Door of toolbox 13374201 .....	3-35
door rear glass 60146556 .....	2-103
door sealant stripl 60180790 .....	2-111
door sealant stripll 60180794 .....	2-113
double break-off plug 60207591 .....	3-31
Double-ended spanner A260401030028 .....	7-5
Double-ended spanner A260401030031 .....	7-5
Double-threaded Stud A820301015908 .....	2-3
DOWEL PIN 60290752 .....	2-57
Dowel 60320620 .....	3-11
Drainage tube 10949800 .....	2-179
drainage tube 13515834 .....	2-179
drainpipe 60068273 .....	2-283
DRIVE GEAR 60290740 .....	2-57
DRIVE SHAFT 60291748 .....	2-59
DRIVE SHAFT 60291823 .....	2-57
DRIVEN GEAR 60290742 .....	2-57
DRIVEN GEAR 60291824 .....	2-57
driver's cab harness 14444862 .....	5-5
Duct pienum 60210925 .....	2-283
Dust contain ring 60080528 .....	4-25
Dust contain ring 60080530 .....	4-27
Dust contain ring 60080531 .....	4-29
Dust Ring 60080454 .....	4-27
dust ring 60291854 .....	3-33
Dust Ring A880808070031 .....	4-27
Dust ring A880808070035 .....	4-25, 4-29
Dust Ring B230101001118 .....	4-3
Dust Ring B230101001119 .....	4-7, 4-15, 4-17, 4-19
Dust ring B230101002164 .....	4-25, 4-29
Ecu 61008867 .....	2-185
Egr,radiator 61008861 .....	2-183
Egr,valve 61008859 .....	2-183
Elastic pad of radiator SY60.1.3.3-11 A230102000054 .....	2-173
electonic subassembly 60291846 .....	3-33
Electrical Fuel Feed Pump 60210579 .....	2-231
electromagnetic valve bracket 14016152 .....	2-83
electromagnetic valve bracket 14016161 .....	2-81
electromagnetism valve 60291930 .....	2-99

electromagnetism valve 60291938 .....	2-97
electromagnetism valve 60291939 .....	2-97
Electronic sensor 60320637 .....	3-11
element fuel filter 60218971 .....	2-225
ELEMENT,BREATHER 60219500 .....	2-199
End cover 60317887 .....	2-41, 2-43, 2-45, 2-47, 2-49, 2-51, 2-53
End cover 60317906 .....	2-39
Engine electronic control unit of SY65W 61008872 .....	2-267
Engine oil cleaner element 60220064 .....	7-3
Engine oil filter element 60141817 .....	2-263
Engine 60337533 .....	2-167
evaporator assy 60215882 .....	2-285
Evaporator 60213356 .....	2-283
excavator right armrest box assembly 60282266 .....	2-125
Exhaust manifold 61008857 .....	2-183
Exhaust system 13517475 .....	2-167
Expansion valve 60068270 .....	2-285
Extension, socket A260401010021 .....	7-5
Fan tough caution board 12052082 .....	6-7
FAN 60219961 .....	2-249
Fan 61008855 .....	2-183
Filter, hydraulic tank breather 60174894 .....	2-23
Filter, pilot A222100000119 .....	2-93
FILTER,OIL 60219455 .....	2-189
FILTER 60164220 .....	2-29
Filter 60211330 .....	2-71
filter 60215889 .....	2-285
Final Block 60317876 .....	2-37
Fire Extinguisher 60001289 .....	2-107
Fitting A820205000858 .....	2-3, 3-23, 4-7
Fitting A820205000940 .....	2-63, 2-65, 2-83, 3-21, 3-25
Fitting, Adapter 21020777 .....	3-23
Fitting, Adapter B210780000070 .....	2-15
Fitting, Adapter B210780000141 .....	2-21
Fitting, Adapter B210780000176 .....	2-63, 2-65, 2-67, 2-75, 2-77, 2-81, 2-83
Fitting, Adapter B210780000179 .....	2-19, 2-69, 2-77
Fitting, adapter B210780000228 .....	2-71, 2-73, 3-21
Fitting, Adapter B210780000421 .....	2-21
Fitting, connector 24001376 .....	2-17
Fitting, Elbow, Flange A229900002603 .....	2-17
Fitting, Elbow A229900003381 .....	3-19
Fitting, Elbow B210780000024 .....	2-69, 2-71, 2-83, 3-21
Fitting, Elbow B210780000025 .....	2-17, 3-19
Fitting, Elbow B210780000029 .....	2-21
Fitting, Elbow B210780000418 .....	2-63, 2-65, 2-67, 2-71, 2-73, 2-75, 2-77, 2-81, 2-83, 3-21, 3-25
Fitting, Elbow B210780001241 .....	2-17
Fitting, grease A229900010158 .....	3-17
Fitting, Grease A880899010002 .....	4-25, 4-27, 4-29
Fitting, tee, L-shape 21051021 .....	2-21
Fitting, Tee, L-Shape B210780000016 .....	2-69, 2-77, 3-21
Fitting, Tee, L-shape B210780000170 .....	2-71, 2-73, 2-75, 2-77, 2-81, 2-83, 3-21
23	
Fitting, Tee B210780000018 .....	2-15
Fitting 21002815 .....	2-77
Fitting 21002822 .....	4-23
FITTING 60291819 .....	2-59
Fitting A820205000843 .....	2-7, 2-9, 2-11, 2-15, 2-77, 3-19
Fitting B210780000172 .....	2-81
Fitting B210780001045 .....	2-71, 2-73, 2-75, 2-81, 2-83
fix board 13411574 .....	2-277
Fixed Clamp 10911866 .....	3-35
fixed frame 12655338 .....	2-3
Fixed pin shaft 13409208 .....	3-7
fixed plate 13420976 .....	2-135
fixed plate 14103713 .....	2-5
Flange, Split B210780000004 .....	3-19



Flange, Split B210780000244 .....	2-17, 3-19
Flange,inlet 61008863 .....	2-259
FLANGE,MUFFLER 60220046 .....	2-259
FLANGE,OIL FILLER 60219459 .....	2-191
Flange 11035346 .....	2-63
flange 11930030 .....	2-181
Flange 12267004 .....	2-25
FLANGE 60290751 .....	2-57
Flange 60320631 .....	3-11
flasher relay 60306195 .....	5-5
FLATE 60291872 .....	2-91
Floating Oil Cylinder 13376728 .....	3-19
Floor Cushion 13374184 .....	2-135
Flow regulator 60317882 .....	2-55
Flywheel 61008577 .....	2-183
FOLLOWER 60291798 .....	2-59
Footplate 13374196 .....	3-35
Footplate 13374714 .....	3-9
Footplate 13375357 .....	3-9
Fork lever (governor) 61008828 .....	2-183
formed guide ring 60080416 .....	4-25
formed guide ring 60080420 .....	4-27
formed guide ring 60080421 .....	4-29
FRAME,END 60219946 .....	2-235
framework 60312831 .....	2-131
Front beam 13208020 .....	2-137
FRONT COVER 60290737 .....	2-57
Front cover 61008563 .....	2-183
front inner-decorated of right-hand wall 60146547 .....	2-119
front lower windshield 60146562 .....	2-103
Front sliding Window lower Sealant strip 60180796 .....	2-115
Front sliding Window outer Sealant strip 60180797 .....	2-117
Front Sliding Window 60180798 .....	2-117
Front steering drive axle 60253611 .....	3-3
Front upper sponge 10541179 .....	2-279
front upper windshield 60146560 .....	2-115
Front window lock caution board 12052088 .....	6-5
Fuel camshaft 61008826 .....	2-183
fuel cleaner decal 12648410 .....	6-7
Fuel Filter (Excavator) B222100000201 .....	2-181
Fuel filter 61008838 .....	2-183
Fuel Pipe Joint M16-D10 12252608 .....	2-179
Fuel Pipe Joint M16-D8 11343734 .....	2-179
fuel pipe 12852532 .....	2-179
Fuel Pipe 12872543 .....	2-179
fuel pipe 12872544 .....	2-179
Fuel pump (electrical) 61008842 .....	2-183
fuel pump bracket 12825691 .....	2-179
Fuel pump cover 61008825 .....	2-183
fuel pump 60276052 .....	7-3
fuel system 13426449 .....	2-167
Fuel Tank Assy 13515765 .....	2-179
Fuel Tank 13515767 .....	2-181
Fuse Housing A241300000059 .....	5-3
G1-M30 Connector A820205002466 .....	2-15
G1/2(ED)-M22-L35 connector 11147089 .....	2-17, 2-21
G1/2(ED)-M22-L65 connector 11147279 .....	2-17, 2-21, 3-19
G1/2(ED)-M26-L65 connector 11147213 .....	2-21
G1/4(ED)-M14Connector 12877195 .....	2-77, 2-83
Gas spring 60312825 .....	2-133
Gasket A820606030364 .....	2-3
gasket EGR cooler 60244614 .....	2-257, 2-273
gasket EGR valve 60244609 .....	2-255, 2-273
gasket EGR valve 60244611 .....	2-255, 2-273
GASKET FUEL PUMP 60124622 .....	2-215, 2-275
gasket inlet 60244610 .....	2-255, 2-273
GASKET,CYLINDER HEAD 60219465 .....	2-193

GASKET,CYLINDER HEAD 60219466 .....	2-193
GASKET,CYLINDER HEAD 60219467 .....	2-193
GASKET,EX-MANIFOLD 60220007 .....	2-253, 2-273
GASKET,FRONT COVER 60219516 .....	2-201, 2-275
GASKET,GOV.HOUSING 60219633 .....	2-219, 2-275
GASKET,HEAD COVER 60219501 .....	2-199, 2-273
GASKET,HOUSING 60219571 .....	2-207, 2-275
GASKET,IN-MANIFOLD 60219987 .....	2-251, 2-273
GASKET,INJ.PUMP 60219586 .....	2-209, 2-275
GASKET,MUFFLER FLAN. 60220047 .....	2-259, 2-273
GASKET,MUFFLER 60220045 .....	2-269
GASKET,PLATE 60219635 .....	2-219, 2-275
GASKET,TURBO CHARGER 60220042 .....	2-259, 2-273
GASKET,WATER FLANGE 60220037 .....	2-245, 2-273
GASKET,WATER PUMP 60220035 .....	2-247, 2-275
gasket(EGR base) 60244621 .....	2-257, 2-273
GASKET 60124399 .....	2-209, 2-213, 2-223, 2-225, 2-273, 2-275
GASKET 60124400 .....	2-223, 2-251, 2-273, 2-275
GASKET 60124407 .....	2-189, 2-275
gasket 60218856 .....	2-261, 2-275
gasket 60218908 .....	2-261, 2-273
gasket 60218914 .....	2-227, 2-273
gasket 60218923 .....	2-273
gasket 60218926 .....	2-273
GASKET 60219508 .....	2-201, 2-275
GASKET 60219601 .....	2-213, 2-275
GASKET 60219932 .....	2-225
GASKET 60219933 .....	2-225
GASKET 60219943 .....	2-261, 2-273
GASKET 60220004 .....	2-245, 2-273
GASKET 60291772 .....	2-59
GASKET 60291799 .....	2-61
Gasket 60310091 .....	2-209, 2-275
Gasket 60354232 .....	2-273
gasket A820101210709 .....	2-135
gasket A820101210710 .....	2-135
Gather Oil Pan 14535302 .....	2-169
Gauge, sight glass A250100000174 .....	2-25
GAUGE,OIL 60219458 .....	2-191
GEAR,CAM 60219554 .....	2-205
GEAR,INJECTION PUMP 60219587 .....	2-209
GEAR,OIL PUMP DRIVE 60219532 .....	2-203
GEAR,RING 60219566 .....	2-207
Gear 60320677 .....	3-13
Gear 60320678 .....	3-13
general assembly of locker 11463118 .....	2-145
Glow lamp 61008866 .....	2-183
GLOW PLUG 60220055 .....	2-227
Governor 61008827 .....	2-183
grease gun clip 12655827 .....	2-3
Grommet A820606030056 .....	2-135
Grommet A820606030059 .....	2-135
Grub bolt 60320666 .....	3-13
Guide sleeve 60208564 .....	4-29
Guide sleeve 60208565 .....	4-25
Guide sleeve 60208566 .....	4-27
GUIDE,OIL GAUGE 60219457 .....	2-191
GUIDE,VALVE,EXHAUST 60219471 .....	2-195
GUIDE,VALVE,INLET 60219470 .....	2-195
Handle, grip 11050165 .....	2-87, 2-89
handle 60312828 .....	2-133
harness of arm-rest box 14339321 .....	5-5
Head cover 61008561 .....	2-183
Heater core assy 60215883 .....	2-285
hex nut 60218959 .....	2-223
HEX.BOLT 60219487 .....	2-197
HEX.NUT 60219997 .....	2-237

Hexagon bolt 60320647 .....	3-11
high pressure avoid warning signs 14465783 .....	6-7
High pressure grease gun B260409000015 .....	7-5
Hinge 10536806 .....	2-151
HOLDER BRUSH 60124431 .....	2-235
HOLDER 60220058 .....	2-235
Holder 61008845 .....	2-235
Hole seal 60080514 .....	4-29
Hole seal 60080515 .....	4-25
Hole seal 60080520 .....	4-27
HOOK_ENGINE 60219461 .....	2-193
Horn Switch Harness 11742013 .....	2-89
Horn 60211509 .....	5-3
Hose AS A831213050000 .....	2-71, 2-83
Hose AS B230103000977 .....	2-3
Hose Assembly 21010011 .....	2-17
Hose Assembly B230103000817 .....	2-77
Hose Assembly B230103001114 .....	3-25
Hose Assembly B230103003277 .....	2-77
Hose assembly B230103008479 .....	2-63
HOSE ASSY-DISCHARGE 60215876 .....	2-283
HOSE ASSY-SUC-ONE 60238811 .....	2-283
HOSE ASSY-SUC-TWO 60238812 .....	2-283
Hose B230103000808 .....	4-7
Hose B230103000874 .....	3-21
Hose B230103000993 .....	3-21
Hose B230103001444 .....	2-15
Hose B230103004570 .....	2-77
Hose B230103004830 .....	2-11
Hose clamp 60240502 .....	2-173
Hose pipe liq no1 60291409 .....	2-283
Hose pipe liq no2 60291408 .....	2-283
hose protective sleeve 13391349 .....	2-71
hose protective sleeve 13391350 .....	2-63
Hose ring hoop 21053360 .....	2-169, 2-179
Hose tube clamp 10541232 .....	2-13
hose-hrt in 60215893 .....	2-285
Hose, rubber B230103004133 .....	3-25
HOSE,INLET 60219985 .....	2-259
hose 11722781 .....	2-173
hose 11722805 .....	2-173
Hose 151005160014 .....	3-19
Hose 151005160015 .....	3-19
Hose 60032648 .....	2-77
Hose A831213065000 .....	2-83, 3-23
Hose B230103002569 .....	2-63
Hose B230103002708 .....	2-63
Hose B230103007050 .....	3-23
Hose B230103007052 .....	3-21
Hot water adaptor 60056554 .....	2-283
HOUSING,GOVERNOR 60219620 .....	2-219
housing 60244608 .....	2-255
HOUSING 60291721 .....	3-29
HOUSING 60291742 .....	3-31
Housing 60320619 .....	3-11
Hy hose 1SN12-DKOL-DKOL90-1650Q/SY1102 B230103004802 .....	2-17
Hy hose 1SN6-DKOL-DKOL90-1000Q/SY1102 B230103001359 .....	2-81
Hy hose 1SN6-DKOL-DKOL90-1600Q/SY1102 B230103000074 .....	3-23
Hydraulic Fuel Tank Assy 13410775 .....	2-15
Hydraulic Fuel Tank 13515651 .....	2-25
Hydraulic oil radiator 60219285 .....	2-175
hydraulic pilot drawing 13404848 .....	2-3
Hydraulic Pilot Pipeline 13404913 .....	2-3
hydraulic underage drawing 13403779 .....	3-7
Hydraulic Wheeled Excavator 14198079 .....	6-5
Hydraultc motor group 60164190 .....	2-27
Hydrostatic power shift transmission 60253613 .....	3-3

Injection pipe 61008841 .....	2-183
Injection pump housing 61008822 .....	2-183
Injection pump unit 61008581 .....	2-183
Injection pump 61008823 .....	2-183
Inlet manifold 61008856 .....	2-183
Inlet Section Assy 60317866 .....	2-37
inlet system 13426445 .....	2-167
Inlet valve and exhaust valve 61008556 .....	2-183
Inner Hex Spanner A260401020006 .....	7-5
inner-decorated of cover horn 60146540 .....	2-105
inner-decorated of door rear pillar 60146541 .....	2-123
inner-decorated of left-hand wall panel 60146551 .....	2-123
inner-decorated of lower body of air-con 60146539 .....	2-107
inner-decorated of rear pillar 60146534 .....	2-107
inner-decorated of right-hand rear pilla 60146545 .....	2-107
inner-decorated of upper body of air-con 60146538 .....	2-107
Input shaft 60320676 .....	3-11
Insert, switch 60116344 .....	2-87, 2-89
Inside Circle 11309664 .....	3-17
Installation Seat 13383987 .....	2-125
Integrated box 12824424 .....	5-5
Jacket 12085734 .....	3-9
JOINT BREATHER PIPE 60124645 .....	2-263
joint eye 60219100 .....	2-225
JOINT T-PIPE 60124390 .....	2-225
JOINT,EYE 60219604 .....	2-213
JOINT,PIPE 60219973 .....	2-225
joint 13430187 .....	3-19
JOINT 60219651 .....	2-225
Joystick , left B229900001613 .....	2-87
Joystick, right B229900001614 .....	2-89
Joystick, rubber cover A229900001028 .....	2-87, 2-89
Joystick, rubber cover A229900006446 .....	2-87, 2-89
Key Power-down Caution Panel 12496541 .....	6-7
Key Switch A241200001217 .....	5-5
KEY,FEATHER 60219555 .....	2-205
KEY,STRAIGHT 60219537 .....	2-203
KEY,WOODRUFF 60219612 .....	2-217
Kit gasket 60354231 .....	2-273
Kit gasket 60354233 .....	2-275
Kit, seal 60164225 .....	2-31
Kit, seal 60164336 .....	2-29
Knob Switch 60211508 .....	5-5
KOLBENFUEHRUNG 60291769 .....	2-59
LAMP,INDICATOR 60220059 .....	2-265
Lamp,Working 60232826 .....	5-5
Latch, hood A222200000012 .....	3-35
Latch, Outer, Door 10138053 .....	2-113
left armrest box assembly 60253848 .....	2-125
left armrest box base 13383990 .....	2-125
left armrest box lower cover 60312820 .....	2-133
left armrest box upper cover 60312819 .....	2-133
Left Block Support Abutment component 12857039 .....	2-161
Left Door Assy. 11145854 .....	2-153
Left Door Assy. 11328611 .....	2-139
left door steel lathing 11117710 .....	2-153
left front support leg 12271853 .....	2-169
Left Handle Assembly 10585259 .....	2-63
left rear air duct 60180788 .....	2-107
left rear support leg 12271937 .....	2-169
left sealing sponge 11755408 .....	2-125
Left Sponge 10541268 .....	2-279
Left Support Abutment component 12857496 .....	2-145
left travel groupware 60317871 .....	2-37
Left Upper sponge 10541180 .....	2-279
LEVER,ENGINE STOP 60219628 .....	2-219
LEVER,SPEED CONTROL 60219624 .....	2-219

Lever 61008829 .....	2-221
Lifting Marking 13411152 .....	6-5
Limit sponge 14499736 .....	2-143
Liquid Reserve Tank A229900004825 .....	2-173
Loading Warning Lable 13411168 .....	6-7
lock board 60312822 .....	2-133
Lock pin 10541977 .....	3-5
Lock pin 10541978 .....	3-5
Lock screw 60317911 .....	2-39, 2-41, 2-43, 2-45, 2-47, 2-49, 2-51, 2-53
Lock washer 60320648 .....	3-11
Lock-left Front Window 60180800 .....	2-117
Lock-right Front Window 60180799 .....	2-117
lock 60312826 .....	2-133
locker assem 11262199 .....	2-165
Locker assembly 11636615 .....	2-143
LOCKING SCREW 60089918 .....	3-29
LOCKING SCREW 60089920 .....	3-29
LOCKING SCREW 60089921 .....	3-31
locking screw 60207576 .....	3-31
locking screw 60207577 .....	3-31
LOCKING SCREW 60222967 .....	2-59
LOCKING SCREW 60290785 .....	3-31
LOCKING SCREW 60290786 .....	3-31
LOCKNUT 60219644 .....	2-221
locknut 60291932 .....	2-99
locknut 60291941 .....	2-97
Logo plate of fuel tank A820601991047 .....	6-3
loop 60291931 .....	2-99
loop 60291940 .....	2-97
lower framework 60312824 .....	2-133
Lower gasket kit [option] 61008871 .....	2-185
Lower sponge 10742772 .....	2-141
LS Relief Valve 60317883 .....	2-55
Lubricating graphic chart 13541716 .....	6-7
Magnetic plug 60320651 .....	3-11
Main cartridge of air cleaner B222100000593 .....	7-3
Main frame 13400695 .....	3-3
Main spool 60317893 .....	2-53
MAIN SPOOL 60317895 .....	2-51
Main spool 60317897 .....	2-49
Main spool 60317900 .....	2-45, 2-47
MAIN SPOOL 60317903 .....	2-43
MAIN SPOOL 60317905 .....	2-41
MAIN SPOOL 60317908 .....	2-39
manhole cover 13374183 .....	2-135
Manifold 61008858 .....	2-253
MANUAL,INSTRUCTION 60220032 .....	2-271
Mark Diagram of Hook Point 12052087 .....	6-3, 6-5
mat 12727958 .....	2-169
Mechanical Suspension Driver seat B229900000265 .....	2-125
METAL,CRANKPIN 60219527 .....	2-203
METAL,CRANKPIN 60219528 .....	2-203
METAL,CRANKPIN 60219529 .....	2-203
METAL,CRANKPIN 60219530 .....	2-203
METAL,CRANKSHAFT 60219538 .....	2-203
METAL,CRANKSHAFT 60219539 .....	2-203
METAL,CRANKSHAFT 60219540 .....	2-203
Metal,side 61008567 .....	2-203
Metal,side 61008568 .....	2-203
Metal,side 61008569 .....	2-203
Metal,side 61008570 .....	2-203
Metal,side 61008571 .....	2-203
Metal,side 61008572 .....	2-203
Metal 61008573 .....	2-203
Metal 61008574 .....	2-203
Metal 61008575 .....	2-203
Middle partition plate 13139288 .....	2-25

Module of lock tough 13374209 .....	3-35
molding hose 13389704 .....	2-15, 2-17
Mounting block 11664307 .....	2-13
mounting plate for air cleaner 13196707 .....	2-177
Mounting rack for drying bottle 12879599 .....	2-281
Movable Arm Assembly 60317868 .....	2-37
Movable Arm Assembly SSY004597127 .....	4-3
Mudguard 14150206 .....	3-9
Mudguard 14150240 .....	3-9
Mudguard 14150268 .....	3-9
Mudguard 14150311 .....	3-9
muffler support assembly 13518605 .....	2-171
Muffler Water Plastic Tube 12799646 .....	2-171
Muffler 60172021 .....	2-171
Multi-port valve 60249547 .....	2-17
NEEDLE 60164211 .....	2-33
NEEDLE 60164212 .....	2-33
Noise marker 10385320 .....	6-5
Nozzle holder 61008839 .....	2-183
Nut A210307000036 .....	2-143, 2-165, 2-173, 5-5
NUT FLANGE 60124462 .....	2-215, 2-219
NUT FLANGE 60124463 .....	2-227
nut flange 60218843 .....	2-253
nut flange 60218999 .....	2-237
Nut M10GB6170 dacrotizing 24000868 .....	2-3
NUT WITH LOCK WASHER 60219998 .....	2-259
NUT,FLANGE 60219589 .....	2-209, 2-213
NUT,FLANGE 60219618 .....	2-219
NUT,INJ.PUMP GEAR 60219588 .....	2-209
NUT,LOCK 60280779 .....	2-223
Nut 23000169 .....	2-179
Nut 60012073 .....	4-31
NUT 60124529 .....	2-235
NUT 60124534 .....	2-235
NUT 60124535 .....	2-235
Nut 60192530 .....	2-85
NUT 60219491 .....	2-197
NUT 60219592 .....	2-209
NUT 60219646 .....	2-223
Nut 60320634 .....	3-11
Nut 61008832 .....	2-223
Nut A210307000014 .....	2-149, 2-153
Nut A210307000016 .....	2-179
Nut A210307000017 .....	2-161, 2-163, 3-35
Nut A210307000025 .....	2-87, 2-89
Nut A210307000028 .....	2-135, 2-169, 2-179, 3-5, 4-5, 4-9, 4-11, 4-13, 4-15, 4-17, 4-19
Nut A210307000029 .....	3-3
Nut A210307000031 .....	2-171
Nut A210307000055 .....	2-169, 2-173
Nut A210308000006 .....	2-87, 2-89
Nut A210313000042 .....	4-7
Nut B210334000012 .....	4-23
Nylon belting A239900000065 .....	2-135, 2-281
O - ring 60320633 .....	3-11
O - ring 60320635 .....	3-11
O - ring 60320654 .....	3-13
O - ring 60320658 .....	3-13
O - ring 60320659 .....	3-13
O - ring 60320662 .....	3-13
O - Ring 60320667 .....	3-13
O RING 60124688 .....	2-191, 2-273, 2-275
O RING 60164374 .....	2-27, 2-33, 2-35
O RING 60164377 .....	2-27, 2-29, 2-35
O RING 60164378 .....	2-27, 2-29, 2-35
O RING 60164379 .....	2-27, 2-29, 2-35
O RING 60164380 .....	2-31, 2-35

O RING 60164381 .....	2-31, 2-35
O RING 60164384 .....	2-31, 2-35
O RING 60164385 .....	2-31, 2-35
o ring 60218913 .....	2-227, 2-273
O RING 60219456 .....	2-189, 2-275
O RING 60219460 .....	2-191
O RING 60219927 .....	2-259, 2-273
O RING 60219928 .....	2-227, 2-273
O RING 60219929 .....	2-263, 2-275
O RING 60219930 .....	2-241, 2-275
O ring 60244627 .....	2-199
O ring 60354234 .....	2-275
O-ring 10.9×2.3(JISB2401) A230101000247 .....	3-21, 3-25
O-Ring-34.59×2.62AS568-126 B210609000280 .....	4-27
O-ring(seal) 60038715 .....	2-85
O-ring 21020313 .....	3-23
O-ring 24001029 .....	4-29
O-ring 24001034 .....	4-27
O-ring 29010015 .....	2-93
O-ring 60008799 .....	2-85
O-ring 60202337 .....	3-31
O-ring 60202341 .....	3-29
O-ring 60202342 .....	3-29
O-ring 60202347 .....	3-31
O-ring 60202353 .....	3-29
O-ring 60202356 .....	3-31
O-RING 60219622 .....	2-219, 2-275
O-RING 60291753 .....	2-59
O-RING 60291754 .....	2-61
O-RING 60291755 .....	2-61
o-ring 60291853 .....	3-33
o-ring 60291855 .....	3-33
o-ring 60291858 .....	3-33
o-ring 60291861 .....	2-91
o-ring 60291871 .....	2-91
o-ring 60291881 .....	2-91
o-ring 60291891 .....	2-91
O-ring A210608000098 .....	4-29
O-ring A210609000080 .....	4-25
O-ring A210609000084 .....	4-25
O-ring A210609000132 .....	2-93
O-ring A210609000133 .....	2-93
O-ring A210609000352 .....	2-181
O-ring A880802010064 .....	4-19
O-ring A880802010091 .....	4-29
O-ring B230101000039 .....	2-25
O-ring B230101000047 .....	2-63, 2-65, 2-83, 3-21, 3-25
O-ring B230101000049 .....	2-15, 2-71, 2-73, 2-83, 3-21, 3-23, 3-25
O-ring B230101000050 .....	2-15
O-Ring B230101000090 .....	2-7, 2-9, 2-11, 2-15, 2-25, 2-69, 2-77, 3-19, 3-21, 3-23, 4-21, 4-23
O-ring B230101000356 .....	2-25
O-ring B230101000366 .....	2-17
O-ring B230101000457 .....	2-181
O-ring B230101000614 .....	2-25
O-ring B230101000672 .....	4-25
Oil collection block 13260586 .....	2-17
Oil cooler 61008865 .....	2-183
Oil Cylinder Guard Board 10542628 .....	4-9
Oil level label A820601990928 .....	6-7
Oil pan 61008551 .....	2-183
Oil pipe (turbo charger) 61008864 .....	2-183
Oil return cover A810201011303 .....	2-25
Oil return filter 60072195 .....	2-25
OIL SEAL 60164393 .....	2-27, 2-33
Oil suction adaptor 12264471 .....	2-17
Oil suction filter 60081613 .....	2-25

Oil suction steel pipe 13387999 .....	2-17
oil switch 60286411 .....	2-243
Oil switch 61008850 .....	2-183
One-Way Valve 60317890 .....	2-39, 2-41, 2-43, 2-49, 2-51, 2-53
One-Way Valve A220401000334 .....	2-15
Opening Retainer Ring 60169596 .....	4-25
Opening Retainer Ring 60169597 .....	4-27
Opening retainer ring 60208579 .....	4-29
Operation and maintenance handbook of excavator SSY004575188 .....	7-3
Operation manual of engine 60212325 .....	7-3
Operator Instruction 13106659 .....	7-3
Operators manual 61008869 .....	2-185
OPPOSED PISTON 60291768 .....	2-59
option groupware 60317873 .....	2-37
Orifice Of Travel Valve 60317901 .....	2-45
Outlet-Oil Pipe 14538000 .....	2-169
Output Shaft 60106562 .....	3-29
Output shaft 60320642 .....	3-13
Outside Circle 11309665 .....	3-17
overflow valve 60291937 .....	2-97
Overhaul capping plate 60180787 .....	2-107
PAD 60219480 .....	2-195
pedal valve 60251676 .....	2-81
Pedal 10539588 .....	2-101
Phonic wheel 60320638 .....	3-11
pilot valve group 60258969 .....	2-83
Pilot valve 60247936 .....	2-65
Pilot-control Valve 60225750 .....	2-63, 2-65
Pilot-control Valve B220401000848 .....	2-67
Pin rail 60180809 .....	2-123
Pin roll 10542630 .....	4-15
Pin roll 10542631 .....	4-19
PIN STRAIGHT 60219448 .....	2-187
PIN STRAIGHT 60219452 .....	2-187
PIN,PIPE 60219557 .....	2-205
PIN,PISTON 60219522 .....	2-203
PIN,SPRING 60219483 .....	2-197
PIN,SPRING 60219560 .....	2-205
PIN,SPRING 60219625 .....	2-219
PIN,START SPRING 60219629 .....	2-219
PIN,STRAIGHT 60219535 .....	2-203
PIN,STRAIGHT 60219597 .....	2-211
PIN,STRAIGHT 60219598 .....	2-211
PIN,STRAIGHT 60219630 .....	2-219
Pin 10542625 .....	4-9
Pin 10542626 .....	4-5, 4-11, 4-13
Pin 10598011 .....	4-17
Pin 60012591 .....	3-17
Pin 60123735 .....	2-57
PIN 60164322 .....	2-29
PIN 60164326 .....	2-29
PIN 60164327 .....	2-33
PIN 60164328 .....	2-29
PIN 60291868 .....	2-91
PIN 60291875 .....	2-91
PIN 60291888 .....	2-91
Pin A210491000021 .....	4-7
PINION SHAFT 60164330 .....	2-33
pipe band 60244626 .....	2-199
pipe boost 60244619 .....	2-257
pipe boost 60244622 .....	2-257
Pipe bracket 13519000 .....	2-171
pipe connector 13416536 .....	2-71
Pipe connector 21002816 .....	2-71, 2-73, 2-83, 3-21, 3-23, 3-25
Pipe connector 21002824 .....	4-21
Pipe connector 21011029 .....	2-15
Pipe connector 60202196 .....	2-21



Pipe connector A229900010160 .....	2-63, 2-71, 2-81, 3-21, 3-23
Pipe Nip 10735443 .....	2-79
pipe nip 10735444 .....	2-79
pipe nip 10735452 .....	2-79
PIPE WATER RETURN 60124495 .....	2-199, 2-261
Pipe, cold pipe, air conditioner 11084196 .....	2-281
Pipe, hot pipe, air conditioner 10448928 .....	2-281
PIPE,DRAIN 60219970 .....	2-263
PIPE,INJECTION 60220008 .....	2-229
PIPE,INJECTION 60220009 .....	2-229
PIPE,INJECTION 60220010 .....	2-229
PIPE,INJECTION 60220011 .....	2-229
PIPE,OIL COOLER 60219977 .....	2-263
PIPE,WATER 60277455 .....	2-257
PIPE,WATER 60277456 .....	2-257
PIPE,WATER 60277457 .....	2-257
Piston and crankshaft 61008564 .....	2-183
PISTON ASSY 60164358 .....	2-29
PISTON GUIDE 60291767 .....	2-59
piston motor repair kit 60307983 .....	3-31
piston pump repair kit 60307984 .....	2-61
Piston Rod 60080505 .....	4-25
Piston Rod 60080506 .....	4-29
PISTON ROD 60164290 .....	4-27
PISTON WITH PISTON RINGS 60152227 .....	3-29
PISTON WITH PISTON RINGS 60291732 .....	3-29
Piston 60080491 .....	4-25
Piston 60080495 .....	4-29
PISTON 60164184 .....	2-31
PISTON 60164287 .....	4-27
PISTON 60291759 .....	2-59
Piston 60320660 .....	3-13
Piston 61008565 .....	2-203
Piston 61008566 .....	2-203
Plain washer A210406000014 .....	3-3
Plate Pressure Pattery 11587179 .....	2-3
PLATE RETAINER 60124292 .....	2-235
Plate, circular 60008809 .....	2-85
plate 11462707 .....	2-165
plate 11523058 .....	2-125
plate 11748855 .....	2-143
plate 13391346 .....	2-79
plate 13391347 .....	2-79
Plate 13409655 .....	3-3
PLATE 60037936 .....	2-85
plate 60222385 .....	2-85
plate 60291843 .....	3-33
Plate A229900001027 .....	2-87, 2-89
PLATR S 60164335 .....	2-29
PLUG DRAIN 60124582 .....	2-189
PLUG OIL FILLER 60124507 .....	2-191
PLUG OIL GAUGE 60124506 .....	2-191
PLUG,DRAIN 60219509 .....	2-201
Plug 11309666 .....	3-17
Plug 60008595 .....	2-85
Plug 60118026 .....	2-25
PLUG 60124321 .....	2-187, 2-193
PLUG 60124328 .....	2-193
PLUG 60164268 .....	2-29
plug 60207589 .....	3-31
PLUG 60219451 .....	2-187, 2-245
PLUG 60219514 .....	2-201
PLUG 60220030 .....	2-263
plug 60286675 .....	3-27
plug 60286676 .....	3-27
PLUG 60290768 .....	3-29
plug 60290804 .....	2-95

plug 60290805 .....	2-95
plug 60291849 .....	3-33
plug 60291850 .....	3-33
plug 60291851 .....	3-33
PLUG 60291880 .....	2-91
PLUG 60291890 .....	2-91
plug 60317880 .....	2-55
plug 60317881 .....	2-55
plug 60317898 .....	2-45, 2-47
plug 60317902 .....	2-43
Plug 60320650 .....	3-11
Plug 60320663 .....	3-13
Plug 61008579 .....	2-207
Plug 61008580 .....	2-207
Plug B210780000089 .....	4-23
PlungerMotor 60253891 .....	3-25
PlungerPump 60262517 .....	2-17
POPPET 60164183 .....	2-31
PORT PLATE 60291729 .....	3-29
PORT PLATE 60291746 .....	2-59
POSITIONING PISTON 60291730 .....	3-29
POSITIONING TRUNNION 60291731 .....	3-29
Power line 60193169 .....	5-3
Power line 60193170 .....	5-3
Power line 60193171 .....	5-3
Power line 60193172 .....	5-3
Power sign 13148777 .....	6-3
Power Supply Line 60215131 .....	5-3
Power supply socket 13132241 .....	6-7
power system 13402088 .....	2-3
pre-separation 60269356 .....	2-177
Prefill valve 60254039 .....	2-73
Prefilter Sucker 11312927 .....	2-179
prefilter sucker 12074671 .....	2-179
pressure compensation 60317892 .....	2-53
pressure compensation 60317894 .....	2-39, 2-41, 2-43, 2-45, 2-47, 2-51
pressure compensation 60317896 .....	2-49
PRESSURE PIN 60222997 .....	2-59
pressure reduction valve 60291936 .....	2-97
Pressure Sensor 60114798 .....	2-65
Pressure Sensor 60114799 .....	2-81, 2-83
PRESSURE SPRING 60152106 .....	3-31
PRESSURE SPRING 60152108 .....	3-31
PRESSURE SPRING 60152110 .....	3-29
Protective Sleeve 12158298 .....	2-3
Protective sleeve 10613200 .....	2-3
Protective sleeve 10613201 .....	2-3
Protective Sleeve 11133753 .....	2-3
Protective Sleeve 11133774 .....	3-9
Protective Sleeve 11133779 .....	2-3
Protective Sleeve 11133805 .....	2-3, 3-9
Protective sleeve 11225691 .....	2-3
Protective sleeve 11225692 .....	3-3
Protective sleeve 11225694 .....	2-3
Protective sleeve 11225695 .....	2-3
Protective sleeve A820606030918 .....	2-3
PT Block 12053111 .....	2-63
PULLEY,ALTERNATOR 60219980 .....	2-235
PULLEY,FAN DRIVE 60219962 .....	2-249
PULLEY,FAN 60219963 .....	2-249
PUMP HOUSING 60291745 .....	2-59
Pump,injection,kit 61008582 .....	2-209
PUSH ROD 60219551 .....	2-205
Radiator 60173255 .....	2-173
Radio 60047845 .....	5-5
REALING 60291865 .....	2-91
REALING 60291866 .....	2-91

Rear air outlet grid 60031109 .....	2-121
Rear axle 60253612 .....	3-3
REAR COVER 60290738 .....	2-57
Rear hood gas spring 60078540 .....	2-137
Rear wind insulation board 12256907 .....	2-173
rear windshield 60146555 .....	2-103
rear-view mirror assembly 13514936 .....	2-143
rear-view mirror fixed element 13514937 .....	2-155
rear-view mirror installation frame 13514935 .....	2-155
rear-view mirror upper fixed element 13514938 .....	2-157
rearview mirror 60228208 .....	2-155
RECEIVER DRIER ASSY 60242103 .....	2-283
Receptacle,Power B24100000022 .....	5-3
Reducer assembly repair kit 60266025 .....	2-27
Reducer assembly B229900005731 .....	2-15
reducer joint 10-5.3 12285052 .....	2-179
Reducer Tube Adaptor With Swivel Nut B210780000629 .....	2-21
Reduction bushing 60320656 .....	3-13
REDUCTION GEAR ASSEMBLY 60255065 .....	2-27
REDUCTION GEAR SUN ALLY 60164214 .....	2-33
Refer to the caution plate of user's guide 12496543 .....	6-7
Relay mounting plate 12878512 .....	5-3
relay protective cover 12353689 .....	5-3
RELIEF VALVE 60164187 .....	2-29
relief valve 60286674 .....	3-27
Repair Kit 150588000005 .....	2-85
Repair package for main valve 60317878 .....	2-37
resistor assy 60215891 .....	2-285
Restriction adjusting bolt 61008831 .....	2-183
Retainer Ring 60080403 .....	4-25, 4-29
Retainer Ring 60080404 .....	4-27
Retainer Ring 60080410 .....	4-25
Retainer Ring 60080412 .....	4-27
Retainer Ring 60080413 .....	4-29
Retainer Ring 60080424 .....	4-25, 4-29
Retainer Ring 60080425 .....	4-27
Retainer Ring 60080432 .....	4-27
Retainer Ring 60080433 .....	4-29
Retainer Ring 60080436 .....	4-25
Retainer Ring 60080438 .....	4-25
Retainer Ring A210414000003 .....	2-133
RETAINER, VALVE SPRING 60219475 .....	2-195
RETAINER 60164176 .....	2-31
RETAINER 60164253 .....	2-29
RETAINING BALL 60291761 .....	2-59
RETAINING DISC 60290777 .....	3-31
RETAINING PLATE 60152409 .....	3-29
RETAINING PLATE 60291760 .....	2-59
retaining ring 60207596 .....	3-31
RETAINING RING 60222987 .....	2-59
RETAINING RING 60291722 .....	3-29
RETAINING RING 60291724 .....	3-29
Return Joint 12879311 .....	2-15
Reversing alarm 60217070 .....	5-3
Revolving Frame 13405846 .....	2-3
Revolving gear oil filler mark 11172196 .....	6-5
right armrest box lower cover 60312830 .....	2-131
right armrest box upper cover 60312829 .....	2-131
Right Control box Support Abutment 10539590 .....	2-125
Right Door Assy. 10742969 .....	2-149
Right Door Assy. 11301628 .....	2-139
right door steel lathing combination 11117678 .....	2-149
right front support leg 12265870 .....	2-169
Right Handle Assembly 10585261 .....	2-65
right lower bearer-rear view mirror 13498075 .....	2-155
right lower welding 13498076 .....	2-159
right rear air duct 60180786 .....	2-107

right rear support leg 12272035 .....	2-169
right sealing sponge 11755760 .....	2-125
Right Support Abutment component 12857167 .....	2-145
right travel groupware 60317872 .....	2-37
Rigid board 10574187 .....	4-9
Rim 60256193 .....	3-3
RING 1 60164398 .....	2-33
RING 2 60164396 .....	2-33
RING SEAL 60164392 .....	2-27, 2-33, 2-35
Ring, seal 60008603 .....	2-85
Ring, seal B230101000223 .....	3-11, 3-13
RING 60164250 .....	2-33
RING 60290749 .....	2-57
RING 60291862 .....	2-91
RING 60291864 .....	2-91
RING 60291889 .....	2-91
RING 60291892 .....	2-91
Ring 61008840 .....	2-227
Rocker arm shaft 61008560 .....	2-183
Rocker 10542647 .....	4-17
Rocker 10543249 .....	4-17
Rod Push 60235883 .....	2-85
Roll, pin 10543252 .....	4-7
ROTARY GROUP A 60152338 .....	3-29
rotating shaft 60312823 .....	2-133
ROTOR, INNER 60219510 .....	2-201
ROTOR, OUTER 60219511 .....	2-201
ROTOR 60220061 .....	2-235
ROTOR 60291876 .....	2-91
Rubber Hose 2SN12-DKOL-DKOL90-2550 B230103003719 .....	2-13
rubber hose 2SN6-DKOL-DKOL90-2400Q/SY11 B230103008533 .....	2-75
Rubber hose 151008210060A .....	2-17
Rubber Hose 21020622 .....	2-71
Rubber Hose 21028550 .....	2-81
Rubber Hose 21032354 .....	2-13
Rubber Hose 21033030 .....	3-21
rubber hose 60157614 .....	4-21
Rubber Hose 60212773 .....	2-13
rubber hose 60236758 .....	3-19
rubber hose 60238672 .....	2-15
rubber hose 60312194 .....	2-11
rubber hose 60340414 .....	2-15
Rubber Hose 61010362 .....	2-83
Rubber Hose 61010363 .....	2-77
Rubber Hose 61010364 .....	2-71, 2-83
Rubber Hose 61010365 .....	2-65, 2-71, 2-77
Rubber Hose 61010367 .....	2-69
Rubber Hose 61010368 .....	2-67
Rubber Hose 61010369 .....	2-71
Rubber Hose 61010370 .....	2-65, 2-81
Rubber Hose 61010371 .....	2-65
Rubber Hose 61010372 .....	2-67, 2-77
Rubber Hose 61010373 .....	2-67
Rubber Hose 61010374 .....	2-63
Rubber Hose 61010375 .....	2-65
Rubber Hose 61010376 .....	2-65
Rubber Hose 61010377 .....	2-65, 2-67, 2-71
Rubber Hose 61010378 .....	2-63
Rubber Hose 61010379 .....	2-15
Rubber Hose 61010380 .....	2-9
Rubber hose A831213035000 .....	2-73, 3-25
Rubber hose B230103000316 .....	2-69
Rubber hose B230103000353 .....	2-9
Rubber Hose B230103000841 .....	2-77
Rubber Hose B230103000858 .....	2-7
Rubber hose B230103000876 .....	2-83
Rubber Hose B230103001169 .....	2-15

Rubber hose B230103001744 .....	2-69
Rubber hose B230103001883 .....	2-17
Rubber Hose B230103002302 .....	3-21
Rubber hose B230103002345 .....	2-71
Rubber Hose B230103004949 .....	2-77
Rubber hose B230103006850 .....	3-23
Rubber retainer 11138562 .....	3-9
Rubber sleeve 14387724 .....	2-135
Rubber sleeve 14387726 .....	2-135
Rubber sleeve 14387727 .....	2-135
RubberHose 60153883 .....	4-23
RubberHose 60153885 .....	2-13
RubberHose 60262789 .....	3-19
S1 GEAR 60164209 .....	2-33
S2 GEAR 60164213 .....	2-33
Safety hammer 60052666 .....	2-107
Sany Encourage Control Display 14427233 .....	5-5
Sany Encourage Hydraulic Control Unit 13368144 .....	5-5
SANY excavator maintenance and guarantee(English) 11826337 .....	7-3
Scheduled cleaning radiator nameplate 11992504 .....	6-7
SCREW (COUNTERSUNK) 60089906 .....	3-29
Screw A210204000345 .....	2-13
Screw A210204000354 .....	2-25
Screw A210204000486 .....	2-73
SCREW AIR BLEEDER 60124466 .....	2-251
screw assembly 60317877 .....	2-37
Screw cap 2 60052641 .....	2-107
Screw M10×16GB80-00 A210209000020 .....	4-25
Screw plug 10210082 .....	2-181
Screw plug 10514225 .....	2-25
Screw plug A820205001771 .....	2-65
Screw plug B210399000001 .....	2-93
Screw Plug B210780000164 .....	2-81, 2-83
Screw plug B210780000896 .....	2-17
Screw plug B210780001384 .....	2-21
SCREW ROUND HEAD 60124391 .....	2-235
SCREW ROUND HEAD 60124392 .....	2-235
SCREW ROUND HEAD 60124393 .....	2-235
SCREW ROUND HEAD 60124394 .....	2-235
SCREW WITH WASHER 60124417 .....	2-229
Screw, self-tapping A210264000022 .....	2-87, 2-89
SCREW,ADJUSTING 60219490 .....	2-197
SCREW,AIR BLEEDER 60219602 .....	2-213
SCREW,BINDING PHILLI 60219513 .....	2-201
SCREW,BINDING(PHILLI 60219611 .....	2-217
SCREW,PAN HEAD(PHILL 60219502 .....	2-199
SCREW,SOCKET HEAD 60219615 .....	2-217
Screw 23000066 .....	2-25, 3-19
Screw 24002251 .....	2-81, 5-5
Screw 24002399 .....	2-107
SCREW 60164310 .....	2-33
SCREW 60164376 .....	2-29
Screw 60249817 .....	2-79
Screw 60249819 .....	2-15, 2-63, 2-65, 2-67, 2-79
SCREW 60291825 .....	2-57
Screw A210204000129 .....	2-181
Screw A210204000131 .....	2-179
Screw A210204000147 .....	2-17
Screw A210204000196 .....	2-179
Screw A210204000203 .....	2-15, 2-17
Screw A210204000206 .....	2-15
Screw A210204000215 .....	2-17, 4-23
Screw A210204000217 .....	5-5
Screw A210204000220 .....	2-71, 2-179
Screw A210204000312 .....	3-19
Screw A210204000313 .....	2-69, 2-81
Screw A210204000335 .....	2-13

Screw A210204000338 .....	3-19
Screw A210204000339 .....	2-157, 2-159
Screw A210204000342 .....	2-81
Screw A210204000347 .....	2-71, 2-179
Screw A210204000355 .....	2-17
Screw A210204000364 .....	4-21
Screw A210204000455 .....	3-19
Screw A210204000462 .....	3-25
Screw A210209000015 .....	4-27
Screw A210210000002 .....	5-5
Screw A210210000030 .....	5-5
Screw A313180502003 .....	2-123
Seal kit between elements 60317867 .....	2-37
SEAL LOCK NUT 60089960 .....	3-29
seal lock nut 60205466 .....	3-31
Seal ring 60072118 .....	4-27
Seal Ring 60184741 .....	4-25, 4-29
seal ring 60291857 .....	3-33
Seal Ring 60317888 .....	2-37, 2-39, 2-41, 2-43, 2-45, 2-47, 2-49, 2-51, 2-53
seal ring A230101000323 .....	3-5
Seal ring B230101002165 .....	4-25, 4-29
Seal strip 60199495 .....	3-17
seal washer 60290802 .....	2-95
Seal washer 60320670 .....	3-13
SEAL-DUCT 60091505 .....	2-285
SEAL, VALVE STEM 60219477 .....	2-195, 2-273
SEAL, CRANK GEAR 60219536 .....	2-203
SEAL, GLOW PLUG 60220057 .....	2-227, 2-273
SEAL, INJECTION PIPE 60219503 .....	2-199, 2-273
SEAL, OIL 60219515 .....	2-201, 2-275
SEAL, OIL 60219569 .....	2-207, 2-275
SEAL 60290746 .....	2-57
SEAL 60290747 .....	2-57
Seal 60320629 .....	3-11
Seal 60320655 .....	3-13
Sealing board assembly 12841202 .....	2-3
Sealing board-1 11142068 .....	2-279
Sealing board-2 13794107 .....	2-279
Sealing board-3 11142070 .....	2-279
Sealing board-4 12837060 .....	2-279
Sealing board-5 11142072 .....	2-279
Sealing board-6 11142073 .....	2-279
sealing sponge 14006980 .....	2-173
Sealing Strip 10539653 .....	2-173
sealing strip 11116611 .....	2-153
sealing strip 11116621 .....	2-151
sealing strip 11116644 .....	2-149
seat and control cabinet 13383996 .....	2-101
Seat belt 60153695 .....	2-127, 2-129
Seat connecting A820101343843 .....	2-125
Seat cushion local fabric gray 60153810 .....	2-127, 2-129
Seat safety caution board 12052084 .....	6-7
Seat Spring 60235884 .....	2-85
SEAT 60164275 .....	2-31
Secondary Relief Valve 60317889 .....	2-41, 2-49, 2-51, 2-53
secondary Relief Valve 60317904 .....	2-43
Security exit nameplate 12052089 .....	6-7
Security switch 60320669 .....	3-13
SEEGER-V-RING 60291764 .....	2-59
Selector shaft 60320653 .....	3-13
Sensor adaptor of air cleaner B229900003909 .....	2-177
SENSOR ASS`Y-EVAP 60190276 .....	2-285
Sensor, pressure A820205001061 .....	2-71, 2-73, 2-75, 2-81, 2-83
SENSOR, REVOLUTION 60220048 .....	2-243
SENSOR, THERMO 60219468 .....	2-245
SENSOR, THERMO 60280778 .....	2-193
set internal gear 60218764 .....	2-239

set packing 60218773 .....	2-239
SET PINION 60219935 .....	2-239
set stopper 60218769 .....	2-239
set washer 60218763 .....	2-239
SET, BEARING 60220060 .....	2-239
SET, BOLT 60219968 .....	2-239
SET, SCREW 60219967 .....	2-239
Setscrew A810502019056 .....	2-133, 2-161, 2-163, 3-35
shaft seal ring 60202478 .....	3-29
Shaft seal 60129465 .....	2-59
Shaft seal 60290748 .....	2-57
SHAFT, FORK LEVER 60280801 .....	2-221
SHAFT, IDLE GEAR 60219559 .....	2-205
SHAFT, ROCKER ARM 60219481 .....	2-197
SHAFT, VALVE 60219478 .....	2-195
shaft 13377180 .....	3-3
Shaft 60008602 .....	2-85
SHAFT 60164227 .....	2-29
shaft 60291852 .....	3-33
SHAFT 60291873 .....	2-91
Sheet 60320646 .....	3-11
shield 60317884 .....	2-55
SHIM 60219605 .....	2-213
SHIM 60291723 .....	3-29
Shim 60320621 .....	3-11, 3-13
Shim 60320622 .....	3-11, 3-13
Shim 60320623 .....	3-11, 3-13
Shim 60320624 .....	3-11, 3-13
Shim 60320625 .....	3-11, 3-13
Shim 60320673 .....	3-13
Shim A810312019062 .....	4-9
shim A820101327187 .....	2-3
Shim A820101343429 .....	3-7
SHOE HOLDER 60164165 .....	2-29
SHUTTLE VALVE 60089839 .....	3-31
Side air duct sponge 10714545 .....	2-101
Side bucket teeth 132799000057A .....	4-31
Side bucket teeth 132799000058A .....	4-31
side window glass 60146553 .....	2-103
Sign of Forbidding Tilting Machine When Working 13411151 .....	6-7
sleeve-34 12046503 .....	2-157, 2-159
SLEEVE, CRANK GEAR 60219534 .....	2-203
SLEEVE, GOVERNOR 60219619 .....	2-219
SLEEVE 60220039 .....	2-269
SLEEVE 60220040 .....	2-269
SLEEVE 60291802 .....	2-59
SLEEVE 60291803 .....	2-59
Slewing device 13407895 .....	1-3
slewing groupware 60317875 .....	2-37
Slewing Ring 11309667 .....	3-7
Sliding pin 60320657 .....	3-13
Sliding shaft sleeve 60080469 .....	4-27
Sliding shaft sleeve 60080474 .....	4-25, 4-29
sliding window assembly of cab door 60146537 .....	2-113
SNAP PING 60167124 .....	2-29
SNAP RING 60164300 .....	2-33
SNAP RING 60164301 .....	2-33
SNAP RING 60167123 .....	2-33
Socket 24×12.5GB3390.1 A260401010051 .....	7-5
socket-head screw 60207574 .....	3-31
SOCKET-HEAD SCREW 60290767 .....	3-29
SOCKET-HEAD SCREW 60290781 .....	3-29
SOCKET-HEAD SCREW 60291733 .....	3-29
SOCKET-HEAD SCREW 60291734 .....	3-29
SOCKET-HEAD SCREW 60291737 .....	3-31
SOCKET-HEAD SCREW 60291756 .....	2-59
SOCKET-HEAD SCREW 60291773 .....	2-59

SOCKET-HEAD SCREW 60291800 .....	2-59
SOCKET-HEAD SCREW 60291801 .....	2-59
Socket 60001295 .....	7-5
Socket A260401010025 .....	7-5
Socket A260401010027 .....	7-5
Socket A260401010029 .....	7-5
Socket A260401010062 .....	7-5
Socket A260401010063 .....	7-5
Spacer 10167597 .....	4-9
Spacer 10574179 .....	4-5, 4-7, 4-11, 4-13, 4-15, 4-17, 4-19
Spacer 10574180 .....	4-5, 4-7, 4-11, 4-13, 4-15, 4-17, 4-19
Spacer 11636576 .....	2-143
Spacer 11636579 .....	2-143
Spacer 13063804 .....	3-3
SPACER 60164244 .....	2-31
SPACER 60291820 .....	2-59
Spacer A820102010779 .....	4-3
Spacer A820102010780 .....	4-3
Spacer B229900000701 .....	3-13
Spacer B229900000702 .....	3-13
Spacer B230102000023 .....	3-13
Spanner, adjustable A260401040004 .....	7-5
Spanner, belt B260401090024 .....	7-5
Spanner, double-ended A260401030005 .....	7-5
Spanner, double-ended A260401030007 .....	7-5
spare parts drawing volume 13685248 .....	7-3
Speaker 60023703 .....	2-109
Speaker 60358261 .....	5-5
Specification of solenoid valve assembly function board 13946290 .....	6-5
Spherical separators 60041809 .....	3-17
Sping 60235885 .....	2-85
Spline Housing 60123688 .....	2-57
SPLINED HUB 60291749 .....	2-59
Split flow gear pump 60166393 .....	2-281
spones 13895226 .....	2-135
Sponge I 12267308 .....	2-15
Sponge I 13149492 .....	2-15
Sponge I 13330010 .....	2-141
Sponge II 11148288 .....	2-15
Sponge II 12267399 .....	2-15
Sponge II 12546522 .....	2-15
sponge 11116134 .....	2-141
sponge 11116149 .....	2-141
sponge 11116152 .....	2-141
sponge 11116317 .....	2-141
sponge 11116318 .....	2-141
sponge 11116396 .....	2-141
Sponge 11144769 .....	2-179
sponge 11173414 .....	2-141
sponge 11239998 .....	2-141
sponge 12271558 .....	2-141
sponge 12271571 .....	2-141
sponge 12685850 .....	2-279
sponge 13895225 .....	2-135
Sponge 14006974 .....	2-173
sponge 14006981 .....	2-173
sponge 14006982 .....	2-173
sponge 14006983 .....	2-173
sponge 14008486 .....	2-277
sponge 14176224 .....	2-101
SPOOL 60008760 .....	2-85
SPOOL 60291867 .....	2-91
SPOOL 60291893 .....	2-91
SPRING B 60164232 .....	2-29
SPRING BRUSH 60124430 .....	2-235
SPRING C 60164222 .....	2-29
SPRING COLLAR 60290772 .....	3-31



SPRING PIN 60038259 .....	2-85
SPRING PIN 60164243 .....	2-29
Spring seat 60317910 .....	2-39, 2-41, 2-43, 2-45, 2-47, 2-49, 2-51, 2-53
Spring,governor 61008830 .....	2-221
SPRING,RETURN 60219627 .....	2-219
SPRING,ROCKER ARM 60219488 .....	2-197
SPRING,START 60219643 .....	2-221
Spring,valve 61008557 .....	2-195
SPRING 60008774 .....	2-85
SPRING 60164234 .....	2-29
SPRING 60164238 .....	2-31
SPRING 60219506 .....	2-201
SPRING 60219623 .....	2-219
SPRING 60291763 .....	2-59
SPRING 60291770 .....	2-59
SPRING 60291882 .....	2-91
SPRING 60291886 .....	2-91
Spring 60317909 .....	2-39, 2-41, 2-43, 2-45, 2-47, 2-49, 2-51, 2-53
Spring 60320665 .....	3-13
Starter (component parts) 61008847 .....	2-183
Starter 61008846 .....	2-183
STAY,DYNAMO 60219952 .....	2-233
Steel Ball 60080467 .....	4-25, 4-27, 4-29
Steel balls 60041792 .....	3-17
Steel Pipe Assy. 11176131 .....	4-23
Steel Pipe Assy. 11176132 .....	4-23
Steel Pipe Assy. 11941185 .....	4-21
Steel Pipe Assy. 12945926 .....	4-21
Steel Pipe Assy. 12945958 .....	4-21
Steel Pipe Assy 60147153 .....	4-29
Steel Pipe Assy 60147154 .....	4-25
Steel Pipe Assy 60147156 .....	4-27
Steel Pipe Assy 60147157 .....	4-29
Steel Pipe Assy 60147158 .....	4-27
STEEL PLATE 60164163 .....	2-29
Steel Tube Flange of Air Pre-Filter 10386841 .....	2-177
SteeringUnit 60254635 .....	2-69
STEUERVENTIL 60291771 .....	2-59
STEUERVENTIL 60291797 .....	2-59
Stop solenoid 61008848 .....	2-183
STOPPER,CAMSHAFT 60219556 .....	2-205
STOPPER,FUEL C/SHAFT 60219613 .....	2-217
STOPPER 60219610 .....	2-217
Storage Battery B242200000026 .....	5-3
Stud ends 21011543 .....	2-71
Stud Ends 23000531 .....	2-75, 4-7
Stud straight connector 60098741 .....	2-73
Stud Straight Connector B210780000824 .....	2-19
STUD 60124634 .....	2-211
STUD 60219581 .....	2-209
STUD 60219595 .....	2-211
STUD 60219596 .....	2-211
STUD 60219631 .....	2-219
STUD 60280789 .....	2-253
suction adapter 13725479 .....	2-17
Suction Cover 10541196 .....	2-25
Suction hose 12267119 .....	2-17
Suction hose 12878948 .....	2-15
Suction hose 13389111 .....	2-17
Suffering Power Of Single Side Forbidden 11809799 .....	6-7
Support component 11636523 .....	2-143
support cover-rear view mirror 12046504 .....	2-157, 2-159
SUPPORT,DYNAMO 60280792 .....	2-233
Supporting plate 13403225 .....	3-3
SWASH PLATE KIT SUN ASSY 60164333 .....	2-29
SWASH PLATE 60164332 .....	2-29
SWASHPLATE 60291747 .....	2-59

Switch, fuel 60046622 .....	2-179
SY200.1A.5-2 A820606030112 .....	2-101
SY60W9K3R Electrical System 13408188 .....	1-3
Synchronizer 60320645 .....	3-13
T-handle 60001294 .....	7-5
T-type anchor ear 60021998 .....	2-15, 2-17
TAMPER PROOF CAP 60223211 .....	2-61
TAPERED-ROLLER BEARING 60222982 .....	2-59
TAPERED-ROLLER BEARING 60291725 .....	3-29
TAPERED-ROLLER BEARING 60291751 .....	2-59
TAPPET 60219550 .....	2-205
Teacup seat 60180808 .....	2-123
Terminal Assembly,Battery,Negative 60013321 .....	5-3
Terminal Assembly,Battery,Positive 60013322 .....	5-3
TERMINAL 60124711 .....	2-269
TERMINAL 60124713 .....	2-269
TERMINAL 60219947 .....	2-269
TERMINAL 60219948 .....	2-269
TERMINAL 60219949 .....	2-269
The direction of oil filter bottom 13974716 .....	6-5
The fixity of line 60345330 .....	2-173
THREADED PIN 60089926 .....	3-29
THREADED PIN 60290765 .....	3-29
THREADED PIN 60290775 .....	3-31
Throat collar A210855000012 .....	2-281
Throat Collar A210855000014 .....	2-281
THROTTLE SCREW 60290779 .....	3-29
THRUST PLATE 60164350 .....	2-33
THRUST PLATE 60167120 .....	2-33
THRUST PLATE 60291822 .....	2-57
THRUST WASHER 60164254 .....	2-33
THRUST WASHER 60164255 .....	2-33
THRUST WASHER 60164256 .....	2-33
Tightening cover 12076732 .....	4-31
TIMER(GLOW LAMP) 60219938 .....	2-265
tire cushion block 13403547 .....	3-9
Toolbox assembly 11303099 .....	2-143
Toolbox, portable A290000000155 .....	7-5
Toolbox 13374198 .....	3-9
top sealing sponge 11755709 .....	2-125
transmission & shock mitigation system 13426438 .....	2-167
transmission protective plate 13875571 .....	3-9
Transmission shaft 60253614 .....	3-3
Transmission shaft 60253615 .....	3-3
travel control valve group 60258968 .....	2-81
Travel Valve 60317899 .....	2-45, 2-47
TUBE FUEL 60124623 .....	2-225, 2-269
TUBE FUEL 60124624 .....	2-225
tube fuel 60218927 .....	2-269
tube of muffler 10685355 .....	2-171
TUBE WITH NUT 60291818 .....	2-59
TUBE,FUEL 60220017 .....	2-269
TUBE(OIL) 60220052 .....	2-261
Tube B230103002290 .....	2-71
Turbo charger 61008862 .....	2-183
turbocharger protective cover 12825670 .....	2-171
Tyre 60256192 .....	3-3
Upper Cover Plate 13208011 .....	2-139
upper framework 60312821 .....	2-133
Upper gasket kit [option] 61008870 .....	2-185
Upper seal ring 13409691 .....	3-7
Upper sponge 13208016 .....	2-141
Upper tube clamp 12085732 .....	4-21
Upper tube clamp 12615672 .....	4-21
upper Wind insulation board 12256941 .....	2-173
V BELT 60220031 .....	2-249
V-Belt 60013968 .....	2-281

valve (thermo) 60244620 .....	2-257
valve block 60291929 .....	2-99
valve block 60291933 .....	2-97
VALVE BODY 60291869 .....	2-91
valve fuel check 60218931 .....	2-225
VALVE PLATE 60164317 .....	2-29
VALVE PLC 60290734 .....	2-57
Valve rack 14016168 .....	2-17
VALVE SEAT 60291885 .....	2-91
VALVE,EXHAUST 60219473 .....	2-195
VALVE,INLET 60219472 .....	2-195
VALVE,RELIEF 60219507 .....	2-201
valve(lead) 60244607 .....	2-255
VALVE 60291735 .....	3-31
VALVE 60291740 .....	3-31
Valve 61008860 .....	2-255
vavle assy 60215892 .....	2-285
Vehicle Body Harness 14444936 .....	5-3
Vent 60320632 .....	3-11
Walking device 13411794 .....	1-3
wall lamp 60264880 .....	2-123
Warning nameplate for hand burning 12052083 .....	6-7
Warning sign A820699001024 .....	6-7
Washer 60060553 .....	2-135
Washer A210404000003 .....	3-7, 3-9
Washer A210491000118 .....	2-5, 2-17, 2-169, 2-179, 3-19, 4-3
Washer A210491000121 .....	2-3, 2-171, 3-25
WASHER seal 60008598 .....	2-85
washer with rubber 60218794 .....	2-245
WASHER,PLAIN 60219485 .....	2-197
WASHER,PLAIN 60219577 .....	2-207
WASHER,PLAIN 60219637 .....	2-221
WASHER,R-ARM.SHAFT 60219484 .....	2-197
WASHER,SEAL 60219469 .....	2-193
WASHER,SPRING LOCK 60219486 .....	2-197, 2-237
Washer 21001328 .....	3-3, 3-5, 3-9
Washer 21001334 .....	3-3, 3-9
Washer 21001338 .....	3-3, 3-7
Washer 24000511 .....	2-25, 2-71, 2-79, 2-125, 2-157, 2-159
Washer 24000512 .....	2-13, 2-25, 2-137, 2-147, 2-151, 2-165, 4-3, 4-7, 4-9, 4-21, 4-23
Washer 24000513 .....	2-17
Washer 24000630 .....	5-5
Washer 24000632 .....	2-15, 2-79, 2-81, 2-151, 2-179, 2-281, 5-3
Washer 24000633 .....	2-17, 2-25, 2-63, 2-71, 2-73, 2-79, 2-101, 2-125, 2-171, 2- 173, 2-177, 2-179, 2-281, 3-19, 3-21, 3-25, 5-5
Washer 24000637 .....	2-13, 2-17, 2-69, 2-81, 2-83, 2-125, 2-135, 2-137, 2-147, 2-165, 2-281, 3-35
Washer 24000639 .....	2-15, 2-17, 2-143
Washer 60008597 .....	2-85
Washer 60060546 .....	2-101, 2-137, 2-147, 2-171, 2-173, 2-279, 5-3
Washer 60060548 .....	2-173
Washer 60060564 .....	2-63, 2-65, 2-67, 2-79, 2-281
Washer 60060565 .....	2-3
WASHER 60290745 .....	2-57
washer 60290800 .....	2-95
washer 60291844 .....	3-33
washer 60291847 .....	3-33
Washer 60320672 .....	3-11
Washer A210401000013 .....	2-149, 2-153
Washer A210401000017 .....	2-17, 2-181
Washer A210405000004 .....	2-149, 2-153
Washer A210405000006 .....	2-181
Washer A210405000007 .....	2-181, 3-7
Washer A210405000011 .....	2-151, 2-277
Washer A210434000008 .....	2-179
Washer A210491000120 .....	2-25, 2-169, 2-173, 2-177, 2-179

Washer A210491000122 .....	2-3
Washing Valv 60317886 .....	2-55
Washing Valve Assy 60317885 .....	2-55
Water flange 61008851 .....	2-183
Water pump 61008854 .....	2-183
Water radiator 60219284 .....	2-175
water tank down water pipe 12256105 .....	2-173
Water tank upper Water pipe 12254918 .....	2-173
waterproof rubber pad 13387268 .....	2-101
wear-resistant ring 60291856 .....	3-33
Welding part of toolbox 13374207 .....	3-35
Weldment AS-Front sliding Window 60180795 .....	2-115
Weldment-Door 60180792 .....	2-113
wheel excavator cab 60260125 .....	2-101
wheel installation plate for electrical equipment component 13821842 .....	2-101
windows 918080900086 .....	2-103
windscreen wiper assembly 60264878 .....	2-119
Windscreen wiper caution board 12080939 .....	6-5
Wiper Clearance Relay 60034854 .....	5-5
Wire Clamp 60086353 .....	5-3
Wire harness assy-ext 60210923 .....	2-283
WIRE HARNESS ASSY-EXT 60210924 .....	2-285
Wire harness assy-ext 60215894 .....	2-283
Work device 13421651 .....	1-3
Working device line 14156529 .....	4-5
Working light 60259480 .....	5-3
Working light 60259481 .....	5-3
Working light 60259482 .....	5-3
Wrench rachet A260401090010 .....	7-5
Wrench, Allen 8RGB5356 A260401020011 .....	7-5
Wrench, allen A260401020004 .....	7-5
Wrench, allen A260401020009 .....	7-5
Wrench, allen A260401020010 .....	7-5
Wrench, box end A260401030100 .....	7-5

# Appendix B Numerical Index

10083933 Clip, air cleaner .....	2-177
10124614 Caution plate of bucket rod .....	6-3, 6-5
10138053 Latch, Outer, Door .....	2-113
10167597 Spacer .....	4-9
10210082 Screw plug .....	2-181
10385320 Noise marker .....	6-5
10386841 Steel Tube Flange of Air Pre-Filter .....	2-177
10448928 Pipe, hot pipe, air conditioner .....	2-281
10514225 Screw plug .....	2-25
10536806 Hinge .....	2-151
10539588 Pedal .....	2-101
10539590 Right Control box Support Abutment .....	2-125
10539653 Sealing Strip .....	2-173
10541179 Front upper sponge .....	2-279
10541180 Left Upper sponge .....	2-279
10541185 Back sponge .....	2-279
10541196 Suction Cover .....	2-25
10541232 Hose tube clamp .....	2-13
10541233 Board .....	2-13
10541251 Connector .....	2-69, 2-77, 3-21, 3-23
10541268 Left Sponge .....	2-279
10541977 Lock pin .....	3-5
10541978 Lock pin .....	3-5
10542625 Pin .....	4-9
10542626 Pin .....	4-5, 4-11, 4-13
10542627 Board .....	2-13, 4-3, 4-7
10542628 Oil Cylinder Guard Board .....	4-9
10542630 Pin roll .....	4-15
10542631 Pin roll .....	4-19
10542647 Rocker .....	4-17
10543249 Rocker .....	4-17
10543251 Brace piece axial pin .....	4-3
10543252 Roll, pin .....	4-7
10547806 Connector .....	2-11
10569316 Battery atten .....	2-3
10574179 Spacer .....	4-5, 4-7, 4-11, 4-13, 4-15, 4-17, 4-19
10574180 Spacer .....	4-5, 4-7, 4-11, 4-13, 4-15, 4-17, 4-19
10574181 Bushing .....	4-33
10574182 Cushion .....	4-7
10574183 Bushing .....	4-33
10574187 Rigid board .....	4-9
10585259 Left Handle Assembly .....	2-63
10585261 Right Handle Assembly .....	2-65
10598011 Pin .....	4-17
10613200 Protective sleeve .....	2-3
10613201 Protective sleeve .....	2-3
10685355 tube of muffler .....	2-171
10714545 Side air duct sponge .....	2-101
10735443 Pipe Nip .....	2-79
10735444 pipe nip .....	2-79
10735452 pipe nip .....	2-79
10742772 Lower sponge .....	2-141
10742773 Central sponge .....	2-141
10742969 Right Door Assy. ....	2-149
10911866 Fixed Clamp .....	3-35
10949800 Drainage tube .....	2-179
11035346 Flange .....	2-63
11050165 Handle, grip .....	2-87, 2-89
11082048 Corrugated Tube .....	2-63, 2-73
11084196 Pipe, cold pipe, air conditioner .....	2-281
11116134 sponge .....	2-141
11116149 sponge .....	2-141

11116152 sponge .....	2-141
11116317 sponge .....	2-141
11116318 sponge .....	2-141
11116396 sponge .....	2-141
11116611 sealing strip .....	2-153
11116621 sealing strip .....	2-151
11116644 sealing strip .....	2-149
11117678 right door steel lathing combination .....	2-149
11117710 left door steel lathing .....	2-153
11133753 Protective Sleeve .....	2-3
11133774 Protective Sleeve .....	3-9
11133779 Protective Sleeve .....	2-3
11133805 Protective Sleeve .....	2-3, 3-9
11138562 Rubber retainer .....	3-9
11142068 Sealing board-1 .....	2-279
11142070 Sealing board-3 .....	2-279
11142072 Sealing board-5 .....	2-279
11142073 Sealing board-6 .....	2-279
11144760 Coupling Bar .....	2-173
11144769 Sponge .....	2-179
11145854 Left Door Assy. ....	2-153
11147089 G1/2(ED)-M22-L35 connector .....	2-17, 2-21
11147213 G1/2(ED)-M26-L65 connector .....	2-21
11147279 G1/2(ED)-M22-L65 connector .....	2-17, 2-21, 3-19
11148288 Sponge II .....	2-15
11172196 Revolving gear oil filler mark .....	6-5
11173414 sponge .....	2-141
11176128 clamp .....	4-23
11176131 Steel Pipe Assy. ....	4-23
11176132 Steel Pipe Assy. ....	4-23
11225691 Protective sleeve .....	2-3
11225692 Protective sleeve .....	3-3
11225694 Protective sleeve .....	2-3
11225695 Protective sleeve .....	2-3
11225713 battery atten .....	2-3
11239998 sponge .....	2-141
11251714 Adapter .....	2-179
11262199 locker assem .....	2-165
11287738 Assembly of right pillar .....	2-147
11301628 Right Door Assy. ....	2-139
11303099 Toolbox assembly .....	2-143
11309664 Inside Circle .....	3-17
11309665 Outside Circle .....	3-17
11309666 Plug .....	3-17
11309667 Slewing Ring .....	3-7
11312927 Prefilter Sucker .....	2-179
11315121 Assembly of left pillar .....	2-147
11328611 Left Door Assy. ....	2-139
11331654 Adapter .....	2-179
11343734 Fuel Pipe Joint M16-D8 .....	2-179
11462707 plate .....	2-165
11463118 general assembly of locker .....	2-145
11523058 plate .....	2-125
11587179 Plate Pressure Pattery .....	2-3
11604972 Caution board of working mode .....	6-7
11636523 Support component .....	2-143
11636576 Spacer .....	2-143
11636579 Spacer .....	2-143
11636615 Locker assembly .....	2-143
11664307 Mounting block .....	2-13
11665641 Bracket Component .....	2-147
11678642 Brace piece axial pin .....	4-9
11685533 Battery Cover .....	2-3
11722781 hose .....	2-173
11722805 hose .....	2-173
11742013 Horn Switch Harness .....	2-89
11748855 plate .....	2-143

11755408 left sealing sponge .....	2-125
11755709 top sealing sponge .....	2-125
11755760 right sealing sponge .....	2-125
11809799 Suffering Power Of Single Side Forbidden .....	6-7
11817218 Check nut .....	3-35
11826337 SANY excavator maintenance and guarantee(English) .....	7-3
11930030 flange .....	2-181
11941185 Steel Pipe Assy. ....	4-21
11961759 Cramp .....	2-139
11992504 Scheduled cleaning radiator nameplate .....	6-7
12016795 Caution board of "No Standing" .....	6-3
12046503 sleeve-34 .....	2-157, 2-159
12046504 support cover-rear view mirror .....	2-157, 2-159
12052082 Fan tough caution board .....	6-7
12052083 Warning nameplate for hand burning .....	6-7
12052084 Seat safety caution board .....	6-7
12052087 Mark Diagram of Hook Point .....	6-3, 6-5
12052088 Front window lock caution board .....	6-5
12052089 Security exit nameplate .....	6-7
12052090 Center-of-gravity mark .....	6-3, 6-5
12053111 PT Block .....	2-63
12074671 prefilter sucker .....	2-179
12076675 Bucket Tooth .....	4-31
12076696 Caution board of "No handhold" .....	6-7
12076709 Bucket Tooth Pin .....	4-31
12076732 Tightening cover .....	4-31
12080939 Windscreen wiper caution board .....	6-5
12085732 Upper tube clamp .....	4-21
12085734 Jacket .....	3-9
12158004 Bucket .....	4-19
12158298 Protective Sleeve .....	2-3
12252608 Fuel Pipe Joint M16-D10 .....	2-179
12254918 Water tank upper Water pipe .....	2-173
12256105 water tank down water pipe .....	2-173
12256907 Rear wind insulation board .....	2-173
12256941 upper Wind insulation board .....	2-173
12259580 Assembly of rear hood .....	2-151
12259581 Assembly of rear hood .....	2-139
12264471 Oil suction adaptor .....	2-17
12265870 right front support leg .....	2-169
12267004 Flange .....	2-25
12267119 Suction hose .....	2-17
12267308 Sponge I .....	2-15
12267399 Sponge II .....	2-15
12271558 sponge .....	2-141
12271571 sponge .....	2-141
12271853 left front support leg .....	2-169
12271937 left rear support leg .....	2-169
12272035 right rear support leg .....	2-169
12285052 reducer joint 10-5.3 .....	2-179
12353689 relay protective cover .....	5-3
12496540 Antispray caution plate .....	6-7
12496541 Key Power-down Caution Panel .....	6-7
12496543 Refer to the caution plate of user's guide .....	6-7
12496544 Caution board of belt security .....	6-3
12540826 Add grease to swing bearing .....	6-5
12546522 Sponge II .....	2-15
12615672 Upper tube clamp .....	4-21
12648410 fuel cleaner decal .....	6-7
12655338 fixed frame .....	2-3
12655827 grease gun clip .....	2-3
12685850 sponge .....	2-279
12727958 mat .....	2-169
12799646 Muffler Water Plastic Tube .....	2-171
12810653 damper lower backup plate .....	2-169
12824424 Integrated box .....	5-5
12825670 turbocharger protective cover .....	2-171

12825691 fuel pump bracket .....	2-179
12827270 diesel fine filter bracket .....	2-179
12832556 Anchor Ear .....	2-171
12837060 Sealing board-4 .....	2-279
12837075 Board .....	2-279
12841202 Sealing board assembly .....	2-3
12844466 compressor bracket .....	2-281
12852532 fuel pipe .....	2-179
12856254 Block Support Abutment component .....	2-163
12857039 Left Block Support Abutment component .....	2-161
12857167 Right Support Abutment component .....	2-145
12857496 Left Support Abutment component .....	2-145
12872543 Fuel Pipe .....	2-179
12872544 fuel pipe .....	2-179
12877195 G1/4(ED)-M14Connector .....	2-77, 2-83
12878512 Relay mounting plate .....	5-3
12878948 Suction hose .....	2-15
12879311 Return Joint .....	2-15
12879599 Mounting rack for drying bottle .....	2-281
12880533 counterweight left reflective coating .....	6-7
12880559 counterweight right reflective coating .....	6-7
12880634 counterweight marking .....	6-7
12888810 cooling system .....	2-167
12910031 Air conditioning .....	2-3
12945926 Steel Pipe Assy. ....	4-21
12945958 Steel Pipe Assy. ....	4-21
13053044 connector .....	3-21
13063804 Spacer .....	3-3
13073275 air filtering bracke .....	2-177
13073422 air intake rubber hose .....	2-177
13073423 air intake rubber hose .....	2-177
13100912 air intake tube .....	2-177
13106659 Operator Instruction .....	7-3
13132241 Power supply socket .....	6-7
13139288 Middle partition plate .....	2-25
13148777 Power sign .....	6-3
13149492 Sponge I .....	2-15
13166740 Accumulator decal .....	6-3
13196707 mounting plate for air cleaner .....	2-177
13208011 Upper Cover Plate .....	2-139
13208016 Upper sponge .....	2-141
13208020 Front beam .....	2-137
13260586 Oil collection block .....	2-17
132799000057A Side bucket teeth .....	4-31
132799000058A Side bucket teeth .....	4-31
13330010 Sponge I .....	2-141
13355697 3-way block .....	3-25
13368144 Sany Encourage Hydraulic Control Unit .....	5-5
13374183 manhole cover .....	2-135
13374184 Floor Cushion .....	2-135
13374187 Bottom board .....	2-135
13374196 Footplate .....	3-35
13374198 Toolbox .....	3-9
13374201 Door of toolbox .....	3-35
13374207 Welding part of toolbox .....	3-35
13374209 Module of lock tough .....	3-35
13374714 Footplate .....	3-9
13375357 Footplate .....	3-9
13376728 Floating Oil Cylinder .....	3-19
13377180 shaft .....	3-3
13377345 Bulldozing shovel oil cylinder .....	3-19
13381909 Bottom board rack .....	2-101
13383987 Installation Seat .....	2-125
13383990 left armrest box base .....	2-125
13383996 seat and control cabinet .....	2-101
13387267 control board .....	2-101
13387268 waterproof rubber pad .....	2-101



13387271 control protective cover .....	2-101
13387305 cab assem .....	2-3
13387999 Oil suction steel pipe .....	2-17
13388025 Covering parts assembly .....	2-3
13388102 counterweight .....	2-277
13389111 Suction hose .....	2-17
13389704 molding hose .....	2-15, 2-17
13391346 plate .....	2-79
13391347 plate .....	2-79
13391349 hose protective sleeve .....	2-71
13391350 hose protective sleeve .....	2-63
13395956 Cover board .....	3-5
13398073 Connecting disc of flywheel shell .....	2-169
13400695 Main frame .....	3-3
13402088 power system .....	2-3
13403223 Access board .....	3-3
13403225 Supporting plate .....	3-3
13403251 Access board .....	3-7
13403252 Access board .....	3-7
13403255 Access board .....	3-7
13403547 tire cushion block .....	3-9
13403779 hydraulic underage drawing .....	3-7
13404848 hydraulic pilot drawing .....	2-3
13404913 Hydraulic Pilot Pipeline .....	2-3
13405846 Revolving Frame .....	2-3
13405996 counterweight assembly .....	2-3
13407895 Slewing device .....	1-3
13408188 SY60W9K3R Electrical System .....	1-3
13409208 Fixed pin shaft .....	3-7
13409655 Plate .....	3-3
13409691 Upper seal ring .....	3-7
13410775 Hydraulic Fuel Tank Assy .....	2-15
13411151 Sign of Forbidding Tilting Machine When Working .....	6-7
13411152 Lifting Marking .....	6-5
13411168 Loading Warning Lable .....	6-7
13411243 Coating .....	1-3
13411574 fix board .....	2-277
13411794 Walking device .....	1-3
13415843 Dampling plate .....	3-7
13416536 pipe connector .....	2-71
13420976 fixed plate .....	2-135
13421651 Work device .....	1-3
13423946 Attached accessories .....	1-3
13426438 transmission & shock mitigation system .....	2-167
13426445 inlet system .....	2-167
13426449 fuel system .....	2-167
13430187 joint .....	3-19
13498075 right lower bearer-rear view mirror .....	2-155
13498076 right lower welding .....	2-159
13514935 rear-view mirror installation frame .....	2-155
13514936 rear-view mirror assembly .....	2-143
13514937 rear-view mirror fixed element .....	2-155
13514938 rear-view mirror upper fixed element .....	2-157
13515651 Hydraulic Fuel Tank .....	2-25
13515765 Fuel Tank Assy .....	2-179
13515767 Fuel Tank .....	2-181
13515834 drainage tube .....	2-179
13517475 Exhaust system .....	2-167
13517744 cross beam assembly .....	2-147
13517745 bracket assembly .....	2-137
13518605 muffler support assembly .....	2-171
13519000 Pipe bracket .....	2-171
13541716 Lubricating graphic chart .....	6-7
13685248 spare parts drawing volume .....	7-3
13725479 suction adapter .....	2-17
13792730 cab marking .....	6-3
13793108 beam right decal .....	6-5

13793111 beam left decal .....	6-3
13794107 Sealing board-2 .....	2-279
13821842 wheel installation plate for electrical equipment component .....	2-101
13875571 transmission protective plate .....	3-9
13895225 sponge .....	2-135
13895226 spone .....	2-135
13946275 Battery power off warning board .....	6-3
13946290 Specification of solenoid valve assembly function board .....	6-5
13974716 The direction of oil filter bottom .....	6-5
14006974 Sponge .....	2-173
14006980 sealing sponge .....	2-173
14006981 sponge .....	2-173
14006982 sponge .....	2-173
14006983 sponge .....	2-173
14008486 sponge .....	2-277
14016152 electromagnetic valve bracket .....	2-83
14016161 electromagnetic valve bracket .....	2-81
14016168 Valve rack .....	2-17
14042580 Accompanying tools .....	7-3
14103713 fixed plate .....	2-5
14140629 base lower sponge .....	2-101
14150206 Mudguard .....	3-9
14150240 Mudguard .....	3-9
14150268 Mudguard .....	3-9
14150311 Mudguard .....	3-9
14156529 Working device line .....	4-5
14176224 sponge .....	2-101
14198079 Hydraulic Wheeled Excavator .....	6-5
14232291 coating .....	6-3
14294773 coating .....	6-3
14339321 harness of arm-rest box .....	5-5
14387724 Rubber sleeve .....	2-135
14387726 Rubber sleeve .....	2-135
14387727 Rubber sleeve .....	2-135
14427233 Sany Encourage Control Display .....	5-5
14444862 driver's cab harness .....	5-5
14444865 Control Switch Harness .....	5-5
14444920 Bottom wiring harness .....	5-5
14444936 Vehicle Body Harness .....	5-3
14465783 high pressure avoid warning signs .....	6-7
14499736 Limit sponge .....	2-143
14532476 Bucket Arm .....	4-7
14532482 Connecting Rod .....	4-17
14535302 Gather Oil Pan .....	2-169
14538000 Outlet-Oil Pipe .....	2-169
150588000005 Repair Kit .....	2-85
151005160014 Hose .....	3-19
151005160015 Hose .....	3-19
151008210060A Rubber hose .....	2-17
21001328 Washer .....	3-3, 3-5, 3-9
21001334 Washer .....	3-3, 3-9
21001338 Washer .....	3-3, 3-7
21002815 Fitting .....	2-77
21002816 Pipe connector .....	2-71, 2-73, 2-83, 3-21, 3-23, 3-25
21002822 Fitting .....	4-23
21002824 Pipe connector .....	4-21
21004569 Clamp, T-Type .....	2-177
21010011 Hose Assembly .....	2-17
21011029 Pipe connector .....	2-15
21011543 Stud ends .....	2-71
21020313 O-ring .....	3-23
21020622 Rubber Hose .....	2-71
21020777 Fitting, Adapter .....	3-23
21028550 Rubber Hose .....	2-81
21032354 Rubber Hose .....	2-13
21033030 Rubber Hose .....	3-21
21050508 Bolt .....	3-5

21051021 Fitting, tee, L-shape .....	2-21
21053360 Hose ring hoop .....	2-169, 2-179
21086590 Bolt M10×1.25×30 (GB5786) Grade 10.9 .....	2-179
23000066 Screw .....	2-25, 3-19
23000169 Nut .....	2-179
23000531 Stud Ends .....	2-75, 4-7
23002093 Bolt .....	3-5, 4-5, 4-11, 4-13, 4-15, 4-17, 4-19
24000272 Bolt M10×20GB5783 dacrotizing .....	3-35
24000275 Bolt M10×25GB5783 dacrotizing .....	3-35
24000303 Bolt .....	3-3
24000511 Washer .....	2-25, 2-71, 2-79, 2-125, 2-157, 2-159
24000512 Washer .....	2-13, 2-25, 2-137, 2-147, 2-151, 2-165, 4-3, 4-7, 4-9, 4-21, 4-23
24000513 Washer .....	2-17
24000630 Washer .....	5-5
24000632 Washer .....	2-15, 2-79, 2-81, 2-151, 2-179, 2-281, 5-3
24000633 Washer .....	2-17, 2-25, 2-63, 2-71, 2-73, 2-79, 2-101, 2-125, 2-171, 2- 173, 2-177, 2-179, 2-281, 3-19, 3-21, 3-25, 5-5
24000637 Washer .....	2-13, 2-17, 2-69, 2-81, 2-83, 2-125, 2-135, 2-137, 2-147, 2-165, 2-281, 3-35
24000639 Washer .....	2-15, 2-17, 2-143
24000868 Nut M10GB6170 dacrotizing .....	2-3
24001029 O-ring .....	4-29
24001034 O-ring .....	4-27
24001376 Fitting, connector .....	2-17
24002251 Screw .....	2-81, 5-5
24002399 Screw .....	2-107
29010015 O-ring .....	2-93
60001289 Fire Extinguisher .....	2-107
60001294 T-handle .....	7-5
60001295 Socket .....	7-5
60008595 Plug .....	2-85
60008597 Washer .....	2-85
60008598 WASHER seal .....	2-85
60008602 Shaft .....	2-85
60008603 Ring, seal .....	2-85
60008760 SPOOL .....	2-85
60008774 SPRING .....	2-85
60008786 Bolt, socket head .....	2-85
60008799 O-ring .....	2-85
60008806 Bush .....	2-85
60008809 Plate, circular .....	2-85
60012073 Nut .....	4-31
60012591 Pin .....	3-17
60013321 Terminal Assembly,Battery,Negative .....	5-3
60013322 Terminal Assembly,Battery,Positive .....	5-3
60013770 Compressor .....	2-283
60013771 Condenser .....	2-283
60013968 V-Belt .....	2-281
60017380 Butter Nozzle .....	4-3
60020647 concaveFastening screw .....	4-29
60021998 T-type anchor ear .....	2-15, 2-17
60023703 Speaker .....	2-109
60023704 Antenna .....	2-109, 5-5
60030552 BRKT ASSY-T/PULLEY MTG .....	2-283
60031109 Rear air outlet grid .....	2-121
60032648 Hose .....	2-77
60034854 Wiper Clearance Relay .....	5-5
60037936 PLATE .....	2-85
60038259 SPRING PIN .....	2-85
60038715 O-ring(seal) .....	2-85
60039790 cab shock absorber .....	2-135
60039791 cab shock absorber .....	2-135
60041792 Steel balls .....	3-17
60041809 Spherical separators .....	3-17
60041902 90 Degree Metal Mounting Bracket .....	5-3
60041997 Accessories Box .....	7-3

60046622 Switch, fuel .....	2-179
60047540 circular taper pin with inner screw thre .....	3-17
60047845 Radio .....	5-5
60052626 Ashtray .....	2-121
60052633 Door Anti-Locking Assy. ....	2-123
60052639 Bayonet catch of top shed .....	2-105
60052641 Screw cap 2 .....	2-107
60052666 Safety hammer .....	2-107
60056554 Hot water adaptor .....	2-283
60060546 Washer .....	2-101, 2-137, 2-147, 2-171, 2-173, 2-279, 5-3
60060548 Washer .....	2-173
60060553 Washer .....	2-135
60060564 Washer .....	2-63, 2-65, 2-67, 2-79, 2-281
60060565 Washer .....	2-3
60068270 Expantion valve .....	2-285
60068273 drainpipe .....	2-283
60072118 Seal ring .....	4-27
60072195 Oil return filter .....	2-25
60072310 A-shaft sleeve .....	4-27
60072313 A-shaft sleeve .....	4-25, 4-29
60077849 Cover of watering opening .....	2-175
60078540 Rear hood gas spring .....	2-137
60080403 Retainer Ring .....	4-25, 4-29
60080404 Retainer Ring .....	4-27
60080410 Retainer Ring .....	4-25
60080412 Retainer Ring .....	4-27
60080413 Retainer Ring .....	4-29
60080416 formed guide ring .....	4-25
60080420 formed guide ring .....	4-27
60080421 formed guide ring .....	4-29
60080424 Retainer Ring .....	4-25, 4-29
60080425 Retainer Ring .....	4-27
60080432 Retainer Ring .....	4-27
60080433 Retainer Ring .....	4-29
60080436 Retainer Ring .....	4-25
60080438 Retainer Ring .....	4-25
60080454 Dust Ring .....	4-27
60080465 cylinder body component .....	4-25
60080466 cylinder body component .....	4-29
60080467 Steel Ball .....	4-25, 4-27, 4-29
60080468 Behind bumper Sleeve .....	4-25
60080469 Sliding shaft sleeve .....	4-27
60080474 Sliding shaft sleeve .....	4-25, 4-29
60080477 bumper ring .....	4-25
60080482 Bumper Sleeve .....	4-25
60080486 Bumper Sleeve .....	4-27
60080491 Piston .....	4-25
60080495 Piston .....	4-29
60080505 Piston Rod .....	4-25
60080506 Piston Rod .....	4-29
60080509 Clip .....	4-25, 4-27, 4-29
60080510 Clamp ring .....	4-25
60080514 Hole seal .....	4-29
60080515 Hole seal .....	4-25
60080520 Hole seal .....	4-27
60080528 Dust contain ring .....	4-25
60080530 Dust contain ring .....	4-27
60080531 Dust contain ring .....	4-29
60081613 Oil suction filter .....	2-25
60083322 Clamp .....	5-3
60086353 Wire Clamp .....	5-3
60086354 Clamp .....	2-179, 2-281, 5-3
60086356 Clamp .....	2-281, 3-21
60086357 Clamp .....	5-3
60089839 SHUTTLE VALVE .....	3-31
60089906 SCREW (COUNTERSUNK) .....	3-29
60089918 LOCKING SCREW .....	3-29

60089920 LOCKING SCREW .....	3-29
60089921 LOCKING SCREW .....	3-31
60089926 THREADED PIN .....	3-29
60089936 CYLINDER PIN .....	3-29
60089960 SEAL LOCK NUT .....	3-29
60091505 SEAL-DUCT .....	2-285
60098741 Stud straight connector .....	2-73
60106562 Output Shaft .....	3-29
60114798 Pressure Sensor .....	2-65
60114799 Pressure Sensor .....	2-81, 2-83
60116344 Insert, switch .....	2-87, 2-89
60118026 Plug .....	2-25
60122059 Bolt .....	2-169
60123229 Bearing .....	3-29
60123688 Spline Housing .....	2-57
60123735 Pin .....	2-57
60124292 PLATE RETAINER .....	2-235
60124297 COVER .....	2-215
60124321 PLUG .....	2-187, 2-193
60124328 PLUG .....	2-193
60124355 BEARING BALL .....	2-235
60124390 JOINT T-PIPE .....	2-225
60124391 SCREW ROUND HEAD .....	2-235
60124392 SCREW ROUND HEAD .....	2-235
60124393 SCREW ROUND HEAD .....	2-235
60124394 SCREW ROUND HEAD .....	2-235
60124399 GASKET .....	2-209, 2-213, 2-223, 2-225, 2-273, 2-275
60124400 GASKET .....	2-223, 2-251, 2-273, 2-275
60124407 GASKET .....	2-189, 2-275
60124417 SCREW WITH WASHER .....	2-229
60124430 SPRING BRUSH .....	2-235
60124431 HOLDER BRUSH .....	2-235
60124462 NUT FLANGE .....	2-215, 2-219
60124463 NUT FLANGE .....	2-227
60124464 BOLT FLANGE .....	2-219
60124466 SCREW AIR BLEEDER .....	2-251
60124482 CLIP PIPE .....	2-225, 2-269
60124483 CLAMP PIPE .....	2-229
60124484 CLAMP PIPE .....	2-229
60124490 BOLT THROUGH .....	2-235
60124495 PIPE WATER RETURN .....	2-199, 2-261
60124506 PLUG OIL GAUGE .....	2-191
60124507 PLUG OIL FILLER .....	2-191
60124523 BUSH INSULATION .....	2-235
60124529 NUT .....	2-235
60124534 NUT .....	2-235
60124535 NUT .....	2-235
60124546 BOLT .....	2-259
60124565 BOLT .....	2-235
60124566 BOLT .....	2-235
60124571 CAP SEALING .....	2-187
60124573 CAP SEALING .....	2-187, 2-193
60124582 PLUG DRAIN .....	2-189
60124622 GASKET FUEL PUMP .....	2-215, 2-275
60124623 TUBE FUEL .....	2-225, 2-269
60124624 TUBE FUEL .....	2-225
60124634 STUD .....	2-211
60124645 JOINT BREATHER PIPE .....	2-263
60124679 COVER BEARING .....	2-235
60124683 COLLAR .....	2-235
60124688 O RING .....	2-191, 2-273, 2-275
60124711 TERMINAL .....	2-269
60124713 TERMINAL .....	2-269
60124717 CONNECTOR .....	2-269
60124718 CONNECTOR .....	2-269
60124727 BRUSH .....	2-235
60129465 Shaft seal .....	2-59

60141817 Engine oil filter element .....	2-263
60146533 ceiling trim assy .....	2-105
60146534 inner-decorated of rear pillar .....	2-107
60146537 sliding window assembly of cab door .....	2-113
60146538 inner-decorated of upper body of air-con .....	2-107
60146539 inner-decorated of lower body of air-con .....	2-107
60146540 inner-decorated of cover horn .....	2-105
60146541 inner-decorated of door rear pillar .....	2-123
60146542 Door lock cover plate .....	2-113
60146545 inner-decorated of right-hand rear pilla .....	2-107
60146546 back inner-decorated of right-hand wall .....	2-119
60146547 front inner-decorated of right-hand wall .....	2-119
60146551 inner-decorated of left-hand wall panel .....	2-123
60146553 side window glass .....	2-103
60146555 rear windshield .....	2-103
60146556 door rear glass .....	2-103
60146559 door lower glass .....	2-113
60146560 front upper windshield .....	2-115
60146562 front lower windshield .....	2-103
60146568 Display Screen cover .....	2-121
60147153 Steel Pipe Assy .....	4-29
60147154 Steel Pipe Assy .....	4-25
60147156 Steel Pipe Assy .....	4-27
60147157 Steel Pipe Assy .....	4-29
60147158 Steel Pipe Assy .....	4-27
60148482 Air cleaner sensor .....	2-177
60149606 Clamp .....	5-3
60150773 Control Plate .....	2-59
60151839 Diesel cleaner filter core .....	7-3
60152106 PRESSURE SPRING .....	3-31
60152108 PRESSURE SPRING .....	3-31
60152110 PRESSURE SPRING .....	3-29
60152128 ADJUSTING BUSHING .....	3-31
60152146 ADJUSTMENT SHIM .....	3-29
60152210 CYLINDER KC .....	3-29
60152227 PISTON WITH PISTON RINGS .....	3-29
60152238 CONTROL HOUSING .....	3-31
60152281 CONTROL LENS R .....	3-29
60152338 ROTARY GROUP A .....	3-29
60152378 BACK-UP PLATE .....	3-29
60152402 BACK-UP PLATE .....	3-29
60152409 RETAINING PLATE .....	3-29
60152433 CONTROL BUSH .....	3-31
60153625 COVER BLACK .....	2-127, 2-129
60153632 Backrest gs.Scr. ....	2-127, 2-129
60153633 Backrest cushion local Fabric gray .....	2-127, 2-129
60153648 Backrest extension local fabric gray .....	2-127, 2-129
60153650 DOCUMENT FOLDER VNL .....	2-127, 2-129
60153669 BALL F.DRKN.GALV.BLACK .....	2-127, 2-129
60153695 Seat belt .....	2-127, 2-129
60153704 Bushing .....	2-127, 2-129
60153810 Seat cushion local fabric gray .....	2-127, 2-129
60153883 RubberHose .....	4-23
60153885 RubberHose .....	2-13
60157614 rubber hose .....	4-21
60164146 CARRIER 2 .....	2-33
60164150 CARRIER 1 .....	2-33
60164151 CARRIER 1 KIT .....	2-33
60164152 CARRIER 2 KIT .....	2-33
60164157 CYLINDER BARREL .....	2-29
60164163 STEEL PLATE .....	2-29
60164164 DISK PLATE .....	2-29
60164165 SHOE HOLDER .....	2-29
60164173 CHECK VALVE .....	2-29
60164176 RETAINER .....	2-31
60164183 POPPET .....	2-31
60164184 PISTON .....	2-31

60164187 RELIEF VALVE .....	2-29
60164190 Hydraulic motor group .....	2-27
60164197 BEARING .....	2-29
60164198 BEARING .....	2-29
60164202 BEARING .....	2-33
60164203 BEARING .....	2-33
60164205 B1 GEAR .....	2-33
60164207 B2 GEAR .....	2-33
60164209 S1 GEAR .....	2-33
60164211 NEEDLE .....	2-33
60164212 NEEDLE .....	2-33
60164213 S2 GEAR .....	2-33
60164214 REDUCTION GEAR SUN ALLY .....	2-33
60164215 A INTERNAL GEAR .....	2-33
60164220 FILTER .....	2-29
60164222 SPRING C .....	2-29
60164223 BODY H .....	2-29
60164224 BODY J KIT SUN ASSY .....	2-29
60164225 Kit, seal .....	2-31
60164227 SHAFT .....	2-29
60164232 SPRING B .....	2-29
60164234 SPRING .....	2-29
60164238 SPRING .....	2-31
60164243 SPRING PIN .....	2-29
60164244 SPACER .....	2-31
60164250 RING .....	2-33
60164253 RETAINER .....	2-29
60164254 THRUST WASHER .....	2-33
60164255 THRUST WASHER .....	2-33
60164256 THRUST WASHER .....	2-33
60164268 PLUG .....	2-29
60164270 CAP .....	2-31
60164275 SEAT .....	2-31
60164277 CYLINDER BODY .....	4-27
60164287 PISTON .....	4-27
60164290 PISTON ROD .....	4-27
60164300 SNAP RING .....	2-33
60164301 SNAP RING .....	2-33
60164305 BODY .....	2-33
60164310 SCREW .....	2-33
60164317 VALVE PLATE .....	2-29
60164320 BARREL HOLDER .....	2-29
60164322 PIN .....	2-29
60164326 PIN .....	2-29
60164327 PIN .....	2-33
60164328 PIN .....	2-29
60164330 PINION SHAFT .....	2-33
60164332 SWASH PLATE .....	2-29
60164333 SWASH PLATE KIT SUN ASSY .....	2-29
60164335 PLATR S .....	2-29
60164336 Kit, seal .....	2-29
60164340 BACK UP RING .....	2-31
60164350 THRUST PLATE .....	2-33
60164355 BRAKE PISTON .....	2-29
60164358 PISTON ASSY .....	2-29
60164374 O RING .....	2-27, 2-33, 2-35
60164376 SCREW .....	2-29
60164377 O RING .....	2-27, 2-29, 2-35
60164378 O RING .....	2-27, 2-29, 2-35
60164379 O RING .....	2-27, 2-29, 2-35
60164380 O RING .....	2-31, 2-35
60164381 O RING .....	2-31, 2-35
60164384 O RING .....	2-31, 2-35
60164385 O RING .....	2-31, 2-35
60164392 RING SEAL .....	2-27, 2-33, 2-35
60164393 OIL SEAL .....	2-27, 2-33
60164396 RING 2 .....	2-33

60164398 RING 1 .....	2-33
60166393 Split flow gear pump .....	2-281
60167120 THRUST PLATE .....	2-33
60167123 SNAP RING .....	2-33
60167124 SNAP PING .....	2-29
60169596 Opening Retainer Ring .....	4-25
60169597 Opening Retainer Ring .....	4-27
60172021 Muffler .....	2-171
60173255 Radiator .....	2-173
60174894 Filter, hydraulic tank breather .....	2-23
60180786 right rear air duct .....	2-107
60180787 Overhaul capping plate .....	2-107
60180788 left rear air duct .....	2-107
60180789 Door assembly .....	2-111
60180790 door sealant stripl .....	2-111
60180791 Door lock assembly .....	2-113
60180792 Weldment-Door .....	2-113
60180794 door sealant stripll .....	2-113
60180795 Weldment AS-Front sliding Window .....	2-115
60180796 Front sliding Window lower Sealant strip .....	2-115
60180797 Front sliding Window outer Sealant strip .....	2-117
60180798 Front Sliding Window .....	2-117
60180799 Lock-right Front Window .....	2-117
60180800 Lock-left Front Window .....	2-117
60180803 Air outlet of air-conditionerl .....	2-121
60180808 Teacup seat .....	2-123
60180809 Pin rail .....	2-123
60184741 Seal Ring .....	4-25, 4-29
60190276 SENSOR ASS`Y-EVAP .....	2-285
60192530 Nut .....	2-85
60192531 Bellows .....	2-85
60193169 Power line .....	5-3
60193170 Power line .....	5-3
60193171 Power line .....	5-3
60193172 Power line .....	5-3
60197034 Cluster Fixed Lace .....	5-3
60199320 5.5T Bucket oil cylinder .....	4-23
60199321 5.5T Boom oil cylinder .....	4-21
60199322 5.5T Arm oil cylinder .....	4-21
60199495 Seal strip .....	3-17
60202078 Cluster Fixed Lace .....	5-5
60202196 Pipe connector .....	2-21
60202337 O-ring .....	3-31
60202341 O-ring .....	3-29
60202342 O-ring .....	3-29
60202347 O-ring .....	3-31
60202353 O-ring .....	3-29
60202356 O-ring .....	3-31
60202478 shaft seal ring .....	3-29
60205466 seal lock nut .....	3-31
60207574 socket-head screw .....	3-31
60207576 locking screw .....	3-31
60207577 locking screw .....	3-31
60207589 plug .....	3-31
60207591 double break-off plug .....	3-31
60207596 retaining ring .....	3-31
60208554 Cylinder Repair Kit .....	4-29
60208557 Cylinder Repair Kit .....	4-27
60208559 Cylinder Repair Kit .....	4-25
60208564 Guide sleeve .....	4-29
60208565 Guide sleeve .....	4-25
60208566 Guide sleeve .....	4-27
60208579 Opening retainer ring .....	4-29
60210579 Electrical Fuel Feed Pump .....	2-231
60210923 Wire harness assy-ext .....	2-283
60210924 WIRE HARNESS ASSY-EXT .....	2-285
60210925 Duct pienum .....	2-283



60211330 Filter .....	2-71
60211508 Knob Switch .....	5-5
60211509 Horn .....	5-3
60212325 Operation manual of engine .....	7-3
60212421 bolt .....	2-169
60212612 DC contactor .....	5-3
60212661 Damping pad .....	2-169
60212773 Rubber Hose .....	2-13
60212877 Diesel oil coarse filter assembly .....	2-179
60213152 CONTROL UNIT .....	2-283
60213356 Evaporator .....	2-283
60213361 Air-condition Assy .....	2-281
60215131 Power Supply Line .....	5-3
60215876 HOSE ASSY-DISCHARGE .....	2-283
60215879 actuator assy .....	2-285
60215882 evaporator assy .....	2-285
60215883 Heater core assy .....	2-285
60215885 clip-htr pipe .....	2-285
60215887 clip-evap pipe .....	2-285
60215889 filter .....	2-285
60215890 clip .....	2-285
60215891 resistor assy .....	2-285
60215892 vavle assy .....	2-285
60215893 hose-hrt in .....	2-285
60215894 Wire harness assy-ext .....	2-283
60216322 blower motor assy .....	2-285
60217070 Reversing alarm .....	5-3
60218763 set washer .....	2-239
60218764 set internal gear .....	2-239
60218765 clutch over running .....	2-239
60218766 assy gear .....	2-239
60218769 set stopper .....	2-239
60218770 assy swith magnetic .....	2-239
60218772 ball .....	2-239
60218773 set packing .....	2-239
60218775 bearing .....	2-239
60218793 bolt flange .....	2-257
60218794 washer with rubber .....	2-245
60218805 bolt flange .....	2-247
60218830 bolt flange .....	2-257
60218835 bolt flange .....	2-245
60218843 nut flange .....	2-253
60218848 bolt stud .....	2-259
60218856 gasket .....	2-261, 2-275
60218893 Air cleaner .....	2-177
60218908 gasket .....	2-261, 2-273
60218913 o ring .....	2-227, 2-273
60218914 gasket .....	2-227, 2-273
60218922 bolt eye joint .....	2-227
60218923 gasket .....	2-273
60218926 gasket .....	2-273
60218927 tube fuel .....	2-269
60218931 valve fuel check .....	2-225
60218937 bolt flange .....	2-243
60218959 hex nut .....	2-223
60218971 element fuel filter .....	2-225
60218999 nut flange .....	2-237
60219056 bolt flange .....	2-251
60219100 joint eye .....	2-225
60219284 Water radiator .....	2-175
60219285 Hydraulic oil radiator .....	2-175
60219445 ASSY CRANKCASE .....	2-187
60219446 BOLT,CRANKCASE .....	2-187, 2-193
60219447 BOLT,FLANGE .....	2-187, 2-237
60219448 PIN STRAIGHT .....	2-187
60219449 CAP,SEALING .....	2-187
60219450 CAP,SEALING .....	2-187

60219451 PLUG .....	2-187, 2-245
60219452 PIN STRAIGHT .....	2-187
60219453 COMP.OIL PAN .....	2-189
60219454 BOLT,FLANGE .....	2-189
60219455 FILTER,OIL .....	2-189
60219456 O RING .....	2-189, 2-275
60219457 GUIDE,OIL GAUGE .....	2-191
60219458 GAUGE,OIL .....	2-191
60219459 FLANGE,OIL FILLER .....	2-191
60219460 O RING .....	2-191
60219461 HOOK,ENGINE .....	2-193
60219462 BOLT,FLANGE .....	2-193
60219464 CAP,SEALING .....	2-193, 2-201
60219465 GASKET,CYLINDER HEAD .....	2-193
60219466 GASKET,CYLINDER HEAD .....	2-193
60219467 GASKET,CYLINDER HEAD .....	2-193
60219468 SENSOR,THERMO .....	2-245
60219469 WASHER,SEAL .....	2-193
60219470 GUIDE, VALVE,INLET .....	2-195
60219471 GUIDE, VALVE,EXHAUST .....	2-195
60219472 VALVE,INLET .....	2-195
60219473 VALVE,EXHAUST .....	2-195
60219475 RETAINER, VALVE SPRING .....	2-195
60219477 SEAL, VALVE STEM .....	2-195, 2-273
60219478 SHAFT, VALVE .....	2-195
60219480 PAD .....	2-195
60219481 SHAFT,ROCKER ARM .....	2-197
60219482 BRACKET,ROCKER ARM .....	2-197
60219483 PIN,SPRING .....	2-197
60219484 WASHER,R-ARM.SHAFT .....	2-197
60219485 WASHER,PLAIN .....	2-197
60219486 WASHER,SPRING LOCK .....	2-197, 2-237
60219487 HEX.BOLT .....	2-197
60219488 SPRING,ROCKER ARM .....	2-197
60219489 ASSY ROCKER ARM,IN. ....	2-197
60219490 SCREW,ADJUSTING .....	2-197
60219491 NUT .....	2-197
60219492 ASSY ROCKER ARM,EXH. ....	2-197
60219493 BOLT,FLANGE .....	2-197
60219496 BAND,HOSE .....	2-257, 2-263
60219497 CLAMP,BREATHHER TUBE .....	2-199
60219498 BOLT,FLANGE .....	2-199, 2-257
60219500 ELEMENT,BREATHHER .....	2-199
60219501 GASKET,HEAD COVER .....	2-199, 2-273
60219502 SCREW,PAN HEAD(PHILL) .....	2-199
60219503 SEAL,INJECTION PIPE .....	2-199, 2-273
60219504 BOLT .....	2-199
60219505 ASSY COVER FRONT .....	2-201
60219506 SPRING .....	2-201
60219507 VALVE,RELIEF .....	2-201
60219508 GASKET .....	2-201, 2-275
60219509 PLUG,DRAIN .....	2-201
60219510 ROTOR,INNER .....	2-201
60219511 ROTOR,OUTER .....	2-201
60219512 COVER,OIL PUMP .....	2-201
60219513 SCREW,BINDING PHILLI .....	2-201
60219514 PLUG .....	2-201
60219515 SEAL,OIL .....	2-201, 2-275
60219516 GASKET,FRONT COVER .....	2-201, 2-275
60219517 BOLT,FLANGE .....	2-201
60219520 ASSY PISTON RING .....	2-203
60219521 ASSY PISTON RING .....	2-203
60219522 PIN,PISTON .....	2-203
60219523 CIR CLIP .....	2-203
60219524 ASSY-ROD,CONNECTING .....	2-203
60219525 BUSH,PISTON PIN .....	2-203
60219526 BOLT,CONNECTING ROD .....	2-203

60219527 METAL,CRANKPIN .....	2-203
60219528 METAL,CRANKPIN .....	2-203
60219529 METAL,CRANKPIN .....	2-203
60219530 METAL,CRANKPIN .....	2-203
60219531 COMP.CRANKSHAFT .....	2-203
60219532 GEAR,OIL PUMP DRIVE .....	2-203
60219533 ASSY-GEAR,CRANKSHAFT .....	2-203
60219534 SLEEVE,CRANK GEAR .....	2-203
60219535 PIN,STRAIGHT .....	2-203
60219536 SEAL,CRANK GEAR .....	2-203
60219537 KEY,STRAIGHT .....	2-203
60219538 METAL,CRANKSHAFT .....	2-203
60219539 METAL,CRANKSHAFT .....	2-203
60219540 METAL,CRANKSHAFT .....	2-203
60219549 COVER,CAMSHAFT .....	2-205
60219550 TAPPET .....	2-205
60219551 PUSH ROD .....	2-205
60219552 ASSY CAMSHAFT .....	2-205
60219553 BEARING,BALL .....	2-205
60219554 GEAR,CAM .....	2-205
60219555 KEY,FEATHER .....	2-205
60219556 STOPPER,CAMSHAFT .....	2-205
60219557 PIN,PIPE .....	2-205
60219558 BOLT,FLANGE .....	2-205, 2-263
60219559 SHAFT,IDLE GEAR .....	2-205
60219560 PIN,SPRING .....	2-205
60219561 COLLAR,IDLE GEAR .....	2-205
60219562 BOLT,FLANGE .....	2-205
60219563 COMP.GEAR,IDLE .....	2-205
60219564 BUSH,IDLE GEAR .....	2-205
60219566 GEAR,RING .....	2-207
60219567 BOLT,FLYWHEEL .....	2-207
60219569 SEAL,OIL .....	2-207, 2-275
60219571 GASKET,HOUSING .....	2-207, 2-275
60219572 BOLT,FLANGE .....	2-207
60219573 BOLT,FLANGE .....	2-207
60219574 BEARING .....	2-207
60219575 BEARING .....	2-207
60219576 BOLT,FLANGE .....	2-207
60219577 WASHER,PLAIN .....	2-207
60219579 COVER .....	2-207
60219580 BOLT,FLANGE .....	2-207
60219581 STUD .....	2-209
60219582 COMP.PIPE,IP OIL .....	2-209
60219583 BOLT,EYE JOINT .....	2-209
60219586 GASKET,INJ.PUMP .....	2-209, 2-275
60219587 GEAR,INJECTION PUMP .....	2-209
60219588 NUT,INJ.PUMP GEAR .....	2-209
60219589 NUT,FLANGE .....	2-209, 2-213
60219590 BRACKET,INJ.PUMP .....	2-209
60219591 BOLT,FLANGE .....	2-209
60219592 NUT .....	2-209
60219593 CAP .....	2-209
60219594 ASSY HOUSING,I/P .....	2-211
60219595 STUD .....	2-211
60219596 STUD .....	2-211
60219597 PIN,STRAIGHT .....	2-211
60219598 PIN,STRAIGHT .....	2-211
60219600 BOLT,JOINT .....	2-213
60219601 GASKET .....	2-213, 2-275
60219602 SCREW,AIR BLEEDER .....	2-213
60219603 BOLT,FLANGE .....	2-213, 2-245, 2-255, 2-257
60219604 JOINT,EYE .....	2-213
60219605 SHIM .....	2-213
60219606 CAMSHAFT,FUEL .....	2-217
60219607 COLLAR,F/CAM BEARING .....	2-217
60219608 BEARING,BALL .....	2-217

60219609 BEARING,BALL .....	2-217
60219610 STOPPER .....	2-217
60219611 SCREW,BINDING(PHILLI .....	2-217
60219612 KEY,WOODRUFF .....	2-217
60219613 STOPPER,FUEL C/SHAFT .....	2-217
60219614 BOLT,FLANGE .....	2-217, 2-219, 2-255, 2-261
60219615 SCREW,SOCKET HEAD .....	2-217
60219616 COVER,GOVERNOR ROD .....	2-219
60219617 ASSY WEIGHT,GOVERNOR .....	2-219
60219618 NUT,FLANGE .....	2-219
60219619 SLEEVE,GOVERNOR .....	2-219
60219620 HOUSING,GOVERNOR .....	2-219
60219621 ASSY WEIGHT,GOVERNOR .....	2-219
60219622 O-RING .....	2-219, 2-275
60219623 SPRING .....	2-219
60219624 LEVER,SPEED CONTROL .....	2-219
60219625 PIN,SPRING .....	2-219
60219626 ASSY WEIGHT,GOVERNOR .....	2-219
60219627 SPRING,RETURN .....	2-219
60219628 LEVER,ENGINE STOP .....	2-219
60219629 PIN,START SPRING .....	2-219
60219630 PIN,STRAIGHT .....	2-219
60219631 STUD .....	2-219
60219632 BOLT,STUD .....	2-219
60219633 GASKET,GOV.HOUSING .....	2-219, 2-275
60219634 COVER,BOOST COM.HOUS .....	2-219
60219635 GASKET,PLATE .....	2-219, 2-275
60219637 WASHER,PLAIN .....	2-221
60219638 CIR-CLIP,EXTERNAL .....	2-221
60219639 CIR CLIP,EXTERNAL .....	2-221
60219640 CIR-CLIP,EXTERNAL .....	2-221
60219643 SPRING,START .....	2-221
60219644 LOCKNUT .....	2-221
60219645 ASSY BOLT,ADJUSTMENT .....	2-223
60219646 NUT .....	2-223
60219648 BOLT,ADJUSTING .....	2-223
60219649 BOLT,IDLING ADJUST .....	2-223
60219651 JOINT .....	2-225
60219927 O RING .....	2-259, 2-273
60219928 O RING .....	2-227, 2-273
60219929 O RING .....	2-263, 2-275
60219930 O RING .....	2-241, 2-275
60219932 GASKET .....	2-225
60219933 GASKET .....	2-225
60219934 ASSY SHAFT,GEAR .....	2-239
60219935 SET PINION .....	2-239
60219937 ASSY ARMATURE .....	2-239
60219938 TIMER(GLOW LAMP) .....	2-265
60219939 BRUSH,SPRING .....	2-239
60219940 ASSY HOLDER,BRUSH .....	2-239
60219943 GASKET .....	2-261, 2-273
60219944 ASSY REGULATOR .....	2-235
60219945 COVER,END .....	2-235
60219946 FRAME,END .....	2-235
60219947 TERMINAL .....	2-269
60219948 TERMINAL .....	2-269
60219949 TERMINAL .....	2-269
60219950 ASSY TERMINAL .....	2-269
60219952 STAY,DYNAMO .....	2-233
60219954 BOLT,FLANGE .....	2-249
60219955 BOLT,FLANGE .....	2-227, 2-251
60219956 BOLT,FLANGE .....	2-233
60219958 BOLT,FLANGE .....	2-233
60219959 BOLT,FLANGE .....	2-255
60219961 FAN .....	2-249
60219962 PULLEY,FAN DRIVE .....	2-249
60219963 PULLEY,FAN .....	2-249

60219964 COLLAR,FAN .....	2-249
60219965 COVER .....	2-225
60219966 ASSY LEVER,SET .....	2-239
60219967 SET,SCREW .....	2-239
60219968 SET,BOLT .....	2-239
60219970 PIPE,DRAIN .....	2-263
60219972 CLAMP,PIPE .....	2-261
60219973 JOINT,PIPE .....	2-225
60219975 ASSY BRACKET,REAR .....	2-239
60219976 BOLT,EYE JOINT .....	2-261
60219977 PIPE,OIL COOLER .....	2-263
60219979 ASSY COOLER,OIL .....	2-263
60219980 PULLEY,ALTERNATOR .....	2-235
60219981 BOLT,JOINT .....	2-225
60219982 BOLT,JOINT .....	2-225, 2-261
60219983 COVER,THERMOSTAT .....	2-245
60219984 ASSY THERMOSTAT .....	2-245
60219985 HOSE,INLET .....	2-259
60219987 GASKET,IN-MANIFOLD .....	2-251, 2-273
60219988 ASSY SHAFT,CLUTCH .....	2-239
60219989 CONNECTOR .....	2-263
60219990 CONNECTOR .....	2-269
60219991 CONNECTOR .....	2-225
60219992 CONNECTOR .....	2-225
60219993 ASSY CONNECTOR .....	2-269
60219994 ASSY CONNECTOR .....	2-269
60219996 ASSY COUPLER .....	2-269
60219997 HEX,NUT .....	2-237
60219998 NUT WITH LOCK WASHER .....	2-259
60219999 BOLT,SEMS .....	2-259
60220000 BOLT,W SEMS(LARGE WASHER) .....	2-233
60220001 BOLT .....	2-249
60220002 BOLT .....	2-259
60220003 BOLT,STUD .....	2-237
60220004 GASKET .....	2-245, 2-273
60220005 BOLT,SOCKET HEAD .....	2-241
60220007 GASKET,EX-MANIFOLD .....	2-253, 2-273
60220008 PIPE,INJECTION .....	2-229
60220009 PIPE,INJECTION .....	2-229
60220010 PIPE,INJECTION .....	2-229
60220011 PIPE,INJECTION .....	2-229
60220012 ASSY HOLDER,NOZZLE .....	2-227
60220013 ASSY CLAMP,INJECTION .....	2-227
60220014 ASSY STARTER .....	2-237, 2-239
60220015 ASSY BRACKET,FRONT .....	2-239
60220017 TUBE,FUEL .....	2-269
60220024 ASSY FILTER,FUEL .....	2-225
60220026 CLAMP,HOSE .....	2-257, 2-263
60220027 CLAMP,HOSE .....	2-259
60220028 CLIP,HOSE .....	2-259
60220029 ASSY HOSE .....	2-259
60220030 PLUG .....	2-263
60220031 V BELT .....	2-249
60220032 MANUAL,INSTRUCTION .....	2-271
60220033 BRUSH .....	2-239
60220035 GASKET,WATER PUMP .....	2-247, 2-275
60220036 ASSY PUMP,WATER .....	2-247
60220037 GASKET,WATER FLANGE .....	2-245, 2-273
60220039 SLEEVE .....	2-269
60220040 SLEEVE .....	2-269
60220042 GASKET,TURBO CHARGER .....	2-259, 2-273
60220043 ASSY TURBO CHARGER .....	2-259
60220044 CLAMP,CORD .....	2-235
60220045 GASKET,MUFFLER .....	2-269
60220046 FLANGE,MUFFLER .....	2-259
60220047 GASKET,MUFFLER FLAN. ....	2-259, 2-273
60220048 SENSOR,REVOLUTION .....	2-243

60220050 ASSY PIPE,OVER FLOW .....	2-227
60220052 TUBE(OIL) .....	2-261
60220053 COMP.PIPE,OIL .....	2-261
60220054 COMP.PIPE,OIL .....	2-261
60220055 GLOW PLUG .....	2-227
60220056 CORD,GLOW PLUG .....	2-227
60220057 SEAL,GLOW PLUG .....	2-227, 2-273
60220058 HOLDER .....	2-235
60220059 LAMP,INDICATOR .....	2-265
60220060 SET,BEARING .....	2-239
60220061 ROTOR .....	2-235
60220062 ASSY YOKE .....	2-239
60220063 Diesel Fine Filter Core .....	7-3
60220064 Engine oil cleaner element .....	7-3
60222385 plate .....	2-85
60222967 LOCKING SCREW .....	2-59
60222982 TAPERED-ROLLER BEARING .....	2-59
60222987 RETAINING RING .....	2-59
60222997 PRESSURE PIN .....	2-59
60223211 TAMPER PROOF CAP .....	2-61
60225750 Pilot-control Valve .....	2-63, 2-65
60225886 Bolt .....	2-63, 2-179
60228208 rearview mirror .....	2-155
60232826 Lamp,Working .....	5-5
60235882 Casing .....	2-85
60235883 Rod Push .....	2-85
60235884 Seat Spring .....	2-85
60235885 Sping .....	2-85
60236758 rubber hose .....	3-19
60237031 Breather Valve .....	2-15
60238672 rubber hose .....	2-15
60238811 HOSE ASSY-SUC-ONE .....	2-283
60238812 HOSE ASSY-SUC-TWO .....	2-283
60240502 Hose clamp .....	2-173
60240503 Clamp .....	2-173
60242103 RECEIVER DRIER ASSY .....	2-283
60244605 assy manifold inlet .....	2-251
60244607 valve(lead) .....	2-255
60244608 housing .....	2-255
60244609 gasket EGR valve .....	2-255, 2-273
60244610 gasket inlet .....	2-255, 2-273
60244611 gasket EGR valve .....	2-255, 2-273
60244612 assy cooler EGR .....	2-257
60244613 comp base EGR .....	2-257
60244614 gasket EGR cooler .....	2-257, 2-273
60244618 band(pipe) .....	2-257
60244619 pipe boost .....	2-257
60244620 valve (thermo) .....	2-257
60244621 gasket(EGR base) .....	2-257, 2-273
60244622 pipe boost .....	2-257
60244623 clamp hose .....	2-257
60244624 clamp pipe .....	2-257
60244625 breather cover .....	2-199
60244626 pipe band .....	2-199
60244627 O ring .....	2-199
60244628 breather pipe .....	2-199
60247936 Pilot valve .....	2-65
60249547 Multi-port valve .....	2-17
60249817 Screw .....	2-79
60249819 Screw .....	2-15, 2-63, 2-65, 2-67, 2-79
60251601 brake valve plate .....	2-71
60251676 pedal valve .....	2-81
60253611 Front steering drive axle .....	3-3
60253612 Rear axle .....	3-3
60253613 Hydrostatic power shift transmission .....	3-3
60253614 Transmission shaft .....	3-3
60253615 Transmission shaft .....	3-3

60253848 left armrest box assembly .....	2-125
60253891 PlungerMotor .....	3-25
60254039 Prefill valve .....	2-73
60254620 Direction machine assembly .....	5-5
60254635 SteeringUnit .....	2-69
60254636 BrakeValve .....	2-71
60255065 REDUCTION GEAR ASSEMBLY .....	2-27
60256192 Tyre .....	3-3
60256193 Rim .....	3-3
60258966 check valve group .....	2-73
60258967 balanced cylinder valve group .....	3-19
60258968 travel control valve group .....	2-81
60258969 pilot valve group .....	2-83
60259480 Working light .....	5-3
60259481 Working light .....	5-3
60259482 Working light .....	5-3
60259660 2-section gear pump .....	2-17
60259943 accumulator .....	2-73
60260125 wheel excavator cab .....	2-101
60262517 PlungerPump .....	2-17
60262789 RubberHose .....	3-19
60264878 windscreen wiper assembly .....	2-119
60264880 wall lamp .....	2-123
60264881 cigarette lighter .....	2-121
60266025 Reducer assembly repair kit .....	2-27
60269356 pre-separation .....	2-177
60276052 fuel pump .....	7-3
60277455 PIPE, WATER .....	2-257
60277456 PIPE, WATER .....	2-257
60277457 PIPE, WATER .....	2-257
60278482 Center Swivel Joint .....	3-25
60278827 CheckValve .....	2-15
60280778 SENSOR, THERMO .....	2-193
60280779 NUT, LOCK .....	2-223
60280788 BOLT, FLANGE .....	2-253
60280789 STUD .....	2-253
60280790 Alternator .....	2-233, 2-235
60280791 BOLT, FLANGE .....	2-233
60280792 SUPPORT, DYNAMO .....	2-233
60280793 BEARING, BALL .....	2-235
60280795 Controller .....	2-265
60280796 COMP. FLYWHEEL .....	2-207
60280797 ASSY HOUSING, F/WHEEL .....	2-207
60280801 SHAFT, FORK LEVER .....	2-221
60282266 excavator right armrest box assembly .....	2-125
60282267 bab front control box .....	2-119
60286411 oil switch .....	2-243
60286672 Block .....	3-27
60286673 check valve .....	3-27
60286674 relief valve .....	3-27
60286675 plug .....	3-27
60286676 plug .....	3-27
60290734 VALVE PLC .....	2-57
60290736 BODY .....	2-57
60290737 FRONT COVER .....	2-57
60290738 REAR COVER .....	2-57
60290740 DRIVE GEAR .....	2-57
60290742 DRIVEN GEAR .....	2-57
60290745 WASHER .....	2-57
60290746 SEAL .....	2-57
60290747 SEAL .....	2-57
60290748 Shaft seal .....	2-57
60290749 RING .....	2-57
60290750 ANTIEXTRUSION .....	2-57
60290751 FLANGE .....	2-57
60290752 DOWEL PIN .....	2-57
60290765 THREADED PIN .....	3-29

60290767 SOCKET-HEAD SCREW .....	3-29
60290768 PLUG .....	3-29
60290772 SPRING COLLAR .....	3-31
60290775 THREADED PIN .....	3-31
60290777 RETAINING DISC .....	3-31
60290779 THROTTLE SCREW .....	3-29
60290781 SOCKET-HEAD SCREW .....	3-29
60290785 LOCKING SCREW .....	3-31
60290786 LOCKING SCREW .....	3-31
60290800 washer .....	2-95
60290801 connector .....	2-95
60290802 seal washer .....	2-95
60290803 block .....	2-95
60290804 plug .....	2-95
60290805 plug .....	2-95
60290806 check valve .....	2-95
60291408 Hose pipe liq no2 .....	2-283
60291409 Hose pipe liq no1 .....	2-283
60291719 BVD20F27S/41B-V06R24D0612S00 .....	3-31
60291720 CONTROL .....	3-31
60291721 HOUSING .....	3-29
60291722 RETAINING RING .....	3-29
60291723 SHIM .....	3-29
60291724 RETAINING RING .....	3-29
60291725 TAPERED-ROLLER BEARING .....	3-29
60291726 CENTER PIN .....	3-29
60291727 CONTROL PART .....	3-31
60291728 COVER .....	3-29
60291729 PORT PLATE .....	3-29
60291730 POSITIONING PISTON .....	3-29
60291731 POSITIONING TRUNNION .....	3-29
60291732 PISTON WITH PISTON RINGS .....	3-29
60291733 SOCKET-HEAD SCREW .....	3-29
60291734 SOCKET-HEAD SCREW .....	3-29
60291735 VALVE .....	3-31
60291736 CONTROL PISTON .....	3-31
60291737 SOCKET-HEAD SCREW .....	3-31
60291738 CYLINDER PIN .....	3-31
60291739 COVER .....	3-29
60291740 VALVE .....	3-31
60291741 BRK41-20F06K00D0612 .....	3-31
60291742 HOUSING .....	3-31
60291745 PUMP HOUSING .....	2-59
60291746 PORT PLATE .....	2-59
60291747 SWASHPLATE .....	2-59
60291748 DRIVE SHAFT .....	2-59
60291749 SPLINED HUB .....	2-59
60291750 ADJUSTMENT SHIM .....	2-59
60291751 TAPERED-ROLLER BEARING .....	2-59
60291752 BEARING-LINER .....	2-61
60291753 O-RING .....	2-59
60291754 O-RING .....	2-61
60291755 O-RING .....	2-61
60291756 SOCKET-HEAD SCREW .....	2-59
60291757 CYLINDER PIN .....	2-59
60291759 PISTON .....	2-59
60291760 RETAINING PLATE .....	2-59
60291761 RETAINING BALL .....	2-59
60291762 CYLINDER .....	2-59
60291763 SPRING .....	2-59
60291764 SEEGER-V-RING .....	2-59
60291765 BACK-UP PLATE .....	2-59
60291766 CONTROL PISTON .....	2-59
60291767 PISTON GUIDE .....	2-59
60291768 OPPOSED PISTON .....	2-59
60291769 KOLBENFUEHRUNG .....	2-59
60291770 SPRING .....	2-59



60291771 STEUERVENTIL .....	2-59
60291772 GASKET .....	2-59
60291773 SOCKET-HEAD SCREW .....	2-59
60291797 STEUERVENTIL .....	2-59
60291798 FOLLOWER .....	2-59
60291799 GASKET .....	2-61
60291800 SOCKET-HEAD SCREW .....	2-59
60291801 SOCKET-HEAD SCREW .....	2-59
60291802 SLEEVE .....	2-59
60291803 SLEEVE .....	2-59
60291818 TUBE WITH NUT .....	2-59
60291819 FITTING .....	2-59
60291820 SPACER .....	2-59
60291821 BODY .....	2-57
60291822 THRUST PLATE .....	2-57
60291823 DRIVE SHAFT .....	2-57
60291824 DRIVEN GEAR .....	2-57
60291825 SCREW .....	2-57
60291842 body .....	3-33
60291843 plate .....	3-33
60291844 washer .....	3-33
60291845 bolt .....	3-33
60291846 electronic subassembly .....	3-33
60291847 washer .....	3-33
60291848 bolt .....	3-33
60291849 plug .....	3-33
60291850 plug .....	3-33
60291851 plug .....	3-33
60291852 shaft .....	3-33
60291853 o-ring .....	3-33
60291854 dust ring .....	3-33
60291855 o-ring .....	3-33
60291856 wear-resistant ring .....	3-33
60291857 seal ring .....	3-33
60291858 o-ring .....	3-33
60291859 DAST REALING .....	2-91
60291860 COVER .....	2-91
60291861 o-ring .....	2-91
60291862 RING .....	2-91
60291863 BEARING .....	2-91
60291864 RING .....	2-91
60291865 REALING .....	2-91
60291866 REALING .....	2-91
60291867 SPOOL .....	2-91
60291868 PIN .....	2-91
60291869 VALVE BODY .....	2-91
60291870 CHECK VALVE .....	2-91
60291871 o-ring .....	2-91
60291872 FLATE .....	2-91
60291873 SHAFT .....	2-91
60291874 BALL .....	2-91
60291875 PIN .....	2-91
60291876 ROTOR .....	2-91
60291877 BLOCK .....	2-91
60291878 COVER .....	2-91
60291879 BOLT .....	2-91
60291880 PLUG .....	2-91
60291881 o-ring .....	2-91
60291882 SPRING .....	2-91
60291883 BALL .....	2-91
60291884 BALL .....	2-91
60291885 VALVE SEAT .....	2-91
60291886 SPRING .....	2-91
60291887 BALL .....	2-91
60291888 PIN .....	2-91
60291889 RING .....	2-91
60291890 PLUG .....	2-91

60291891 o-ring .....	2-91
60291892 RING .....	2-91
60291893 SPOOL .....	2-91
60291929 valve block .....	2-99
60291930 electromagnetism valve .....	2-99
60291931 loop .....	2-99
60291932 locknut .....	2-99
60291933 valve block .....	2-97
60291934 accumulator .....	2-97
60291935 check valve .....	2-97
60291936 pressure reduction valve .....	2-97
60291937 overflow valve .....	2-97
60291938 electromagnetism valve .....	2-97
60291939 electromagnetism valve .....	2-97
60291940 loop .....	2-97
60291941 locknut .....	2-97
60292925 Coupling .....	2-169
60306195 flasher relay .....	5-5
60307209 ball plug .....	2-97
60307980 center valve repair kit .....	3-33
60307983 piston motor repair kit .....	3-31
60307984 piston pump repair kit .....	2-61
60308572 clamp hose .....	2-261
60310091 Gasket .....	2-209, 2-275
60312194 rubber hose .....	2-11
60312819 left armrest box upper cover .....	2-133
60312820 left armrest box lower cover .....	2-133
60312821 upper framework .....	2-133
60312822 lock board .....	2-133
60312823 rotating shaft .....	2-133
60312824 lower framework .....	2-133
60312825 Gas spring .....	2-133
60312826 lock .....	2-133
60312827 control lever .....	2-133
60312828 handle .....	2-133
60312829 right armrest box upper cover .....	2-131
60312830 right armrest box lower cover .....	2-131
60312831 framework .....	2-131
60317866 Inlet Section Assy .....	2-37
60317867 Seal kit between elements .....	2-37
60317868 Movable Arm Assembly .....	2-37
60317869 Bucket groupware .....	2-37
60317870 Arm groupware .....	2-37
60317871 left travel groupware .....	2-37
60317872 right travel groupware .....	2-37
60317873 option groupware .....	2-37
60317874 Bulldozing shovel plate Assembly .....	2-37
60317875 slewing groupware .....	2-37
60317876 Final Block .....	2-37
60317877 screw assembly .....	2-37
60317878 Repair package for main valve .....	2-37
60317879 Directional valve element .....	2-55
60317880 plug .....	2-55
60317881 plug .....	2-55
60317882 Flow regulator .....	2-55
60317883 LS Relief Valve .....	2-55
60317884 shield .....	2-55
60317885 Washing Valve Assy .....	2-55
60317886 Washing Valv .....	2-55
60317887 End cover .....	2-41, 2-43, 2-45, 2-47, 2-49, 2-51, 2-53
60317888 Seal Ring .....	2-37, 2-39, 2-41, 2-43, 2-45, 2-47, 2-49, 2-51, 2-53
60317889 Secondary Relief Valve .....	2-41, 2-49, 2-51, 2-53
60317890 One-Way Valve .....	2-39, 2-41, 2-43, 2-49, 2-51, 2-53
60317891 Directional valve element .....	2-41, 2-43, 2-49, 2-51, 2-53
60317892 pressure compensation .....	2-53
60317893 Main spool .....	2-53
60317894 pressure compensation .....	2-39, 2-41, 2-43, 2-45, 2-47, 2-51

60317895 MAIN SPOOL .....	2-51
60317896 pressure compensation .....	2-49
60317897 Main spool .....	2-49
60317898 plug .....	2-45, 2-47
60317899 Travel Valve .....	2-45, 2-47
60317900 Main spool .....	2-45, 2-47
60317901 Orifice Of Travel Valve .....	2-45
60317902 plug .....	2-43
60317903 MAIN SPOOL .....	2-43
60317904 secondary Relief Valve .....	2-43
60317905 MAIN SPOOL .....	2-41
60317906 End cover .....	2-39
60317907 Directional valve element .....	2-39
60317908 MAIN SPOOL .....	2-39
60317909 Spring .....	2-39, 2-41, 2-43, 2-45, 2-47, 2-49, 2-51, 2-53
60317910 Spring seat .....	2-39, 2-41, 2-43, 2-45, 2-47, 2-49, 2-51, 2-53
60317911 Lock screw .....	2-39, 2-41, 2-43, 2-45, 2-47, 2-49, 2-51, 2-53
60320619 Housing .....	3-11
60320620 Dowel .....	3-11
60320621 Shim .....	3-11, 3-13
60320622 Shim .....	3-11, 3-13
60320623 Shim .....	3-11, 3-13
60320624 Shim .....	3-11, 3-13
60320625 Shim .....	3-11, 3-13
60320626 Ball bearing .....	3-11
60320627 Cover .....	3-11
60320628 Ball bearing .....	3-11
60320629 Seal .....	3-11
60320630 Cover .....	3-11
60320631 Flange .....	3-11
60320632 Vent .....	3-11
60320633 O - ring .....	3-11
60320634 Nut .....	3-11
60320635 O - ring .....	3-11
60320636 Cover .....	3-11
60320637 Electronic sensor .....	3-11
60320638 Phonic wheel .....	3-11
60320639 Ball bearing .....	3-11, 3-13
60320640 Circlip .....	3-13
60320641 Ball bearing .....	3-13
60320642 Output shaft .....	3-13
60320643 Circlip .....	3-13
60320644 Circlip .....	3-13
60320645 Synchronizer .....	3-13
60320646 Sheet .....	3-11
60320647 Hexagon bolt .....	3-11
60320648 Lock washer .....	3-11
60320649 Bolt .....	3-11, 3-13
60320650 Plug .....	3-11
60320651 Magnetic plug .....	3-11
60320652 Cylinder .....	3-13
60320653 Selector shaft .....	3-13
60320654 O - ring .....	3-13
60320655 Seal .....	3-13
60320656 Reduction bushing .....	3-13
60320657 Sliding pin .....	3-13
60320658 O - ring .....	3-13
60320659 O - ring .....	3-13
60320660 Piston .....	3-13
60320661 Circlip .....	3-13
60320662 O - ring .....	3-13
60320663 Plug .....	3-13
60320664 Detend ball .....	3-13
60320665 Spring .....	3-13
60320666 Grub bolt .....	3-13
60320667 O - Ring .....	3-13
60320668 Cover .....	3-11

60320669 Security switch .....	3-13
60320670 Seal washer .....	3-13
60320671 Bolt .....	3-11
60320672 Washer .....	3-11
60320673 Shim .....	3-13
60320676 Input shaft .....	3-11
60320677 Gear .....	3-13
60320678 Gear .....	3-13
60321167 Adapter .....	2-61
60321168 Adapter .....	2-61
60337533 Engine .....	2-167
60340414 rubber hose .....	2-15
60345330 The fixity of line .....	2-173
60348361 Discharge oil .....	2-179
60348362 Discharge oil .....	7-3
60354231 Kit gasket .....	2-273
60354232 Gasket .....	2-273
60354233 Kit gasket .....	2-275
60354234 O ring .....	2-275
60358261 Speaker .....	5-5
61008550 Assy crankcase .....	2-183
61008551 Oil pan .....	2-183
61008552 Dipstick and guide .....	2-183
61008553 Cylinder head .....	2-183
61008554 Assy cylinder head .....	2-193, 2-195
61008555 Ball .....	2-193
61008556 Inlet valve and exhaust valve .....	2-183
61008557 Spring, valve .....	2-195
61008558 Collet, valve spring .....	2-195
61008559 Arm, valve brige .....	2-195
61008560 Rocker arm shaft .....	2-183
61008561 Head cover .....	2-183
61008562 Assy cover, cyl. head .....	2-199
61008563 Front cover .....	2-183
61008564 Piston and crankshaft .....	2-183
61008565 Piston .....	2-203
61008566 Piston .....	2-203
61008567 Metal, side .....	2-203
61008568 Metal, side .....	2-203
61008569 Metal, side .....	2-203
61008570 Metal, side .....	2-203
61008571 Metal, side .....	2-203
61008572 Metal, side .....	2-203
61008573 Metal .....	2-203
61008574 Metal .....	2-203
61008575 Metal .....	2-203
61008576 Camshaft and idle gear shaft .....	2-183
61008577 Flywheel .....	2-183
61008578 Assy housing, f/wheel .....	2-207
61008579 Plug .....	2-207
61008580 Plug .....	2-207
61008581 Injection pump unit .....	2-183
61008582 Pump, injection, kit .....	2-209
61008822 Injection pump housing .....	2-183
61008823 Injection pump .....	2-183
61008824 Assy pump, injection .....	2-213
61008825 Fuel pump cover .....	2-183
61008826 Fuel camshaft .....	2-183
61008827 Governor .....	2-183
61008828 Fork lever (governor) .....	2-183
61008829 Lever .....	2-221
61008830 Spring, governor .....	2-221
61008831 Restriction adjusting bolt .....	2-183
61008832 Nut .....	2-223
61008833 Bolt .....	2-223
61008834 Bolt, adjustment .....	2-223
61008835 Cap nut assy .....	2-223

61008836 Cir-clip .....	2-223
61008837 Bolt .....	2-223
61008838 Fuel filter .....	2-183
61008839 Nozzle holder .....	2-183
61008840 Ring .....	2-227
61008841 Injection pipe .....	2-183
61008842 Fuel pump (electrical) .....	2-183
61008843 Alternator .....	2-183
61008844 Alternator (component parts) .....	2-183
61008845 Holder .....	2-235
61008846 Starter .....	2-183
61008847 Starter (component parts) .....	2-183
61008848 Stop solenoid .....	2-183
61008849 Assy solenoid .....	2-241
61008850 Oil switch .....	2-183
61008851 Water flange .....	2-183
61008852 Comp.flange,water .....	2-245
61008853 Adapter .....	2-245
61008854 Water pump .....	2-183
61008855 Fan .....	2-183
61008856 Inlet manifold .....	2-183
61008857 Exhaust manifold .....	2-183
61008858 Manifold .....	2-253
61008859 Egr, valve .....	2-183
61008860 Valve .....	2-255
61008861 Egr,radiator .....	2-183
61008862 Turbo charger .....	2-183
61008863 Flange,inlet .....	2-259
61008864 Oil pipe (turbo charger) .....	2-183
61008865 Oil cooler .....	2-183
61008866 Glow lamp .....	2-183
61008867 Ecu .....	2-185
61008868 Diesel engine accessories .....	2-185
61008869 Operators manual .....	2-185
61008870 Upper gasket kit [option] .....	2-185
61008871 Lower gasket kit [option] .....	2-185
61008872 Engine electronic control unit of SY65W .....	2-267
61010362 Rubber Hose .....	2-83
61010363 Rubber Hose .....	2-77
61010364 Rubber Hose .....	2-71, 2-83
61010365 Rubber Hose .....	2-65, 2-71, 2-77
61010367 Rubber Hose .....	2-69
61010368 Rubber Hose .....	2-67
61010369 Rubber Hose .....	2-71
61010370 Rubber Hose .....	2-65, 2-81
61010371 Rubber Hose .....	2-65
61010372 Rubber Hose .....	2-67, 2-77
61010373 Rubber Hose .....	2-67
61010374 Rubber Hose .....	2-63
61010375 Rubber Hose .....	2-65
61010376 Rubber Hose .....	2-65
61010377 Rubber Hose .....	2-65, 2-67, 2-71
61010378 Rubber Hose .....	2-63
61010379 Rubber Hose .....	2-15
61010380 Rubber Hose .....	2-9
918080900086 windows .....	2-103
A210108000085 Bolt .....	4-25, 4-27, 4-29
A210108000097 Bolt .....	3-19
A210110000239 Bolt .....	2-3
A210110000317 Bolt .....	3-3
A210110000353 Bolt .....	4-9
A210111000011 Bolt .....	2-277, 3-3, 3-5, 3-7, 3-9
A210111000012 Bolt .....	2-83, 2-101, 2-173, 2-177, 4-3, 4-7, 4-9, 5-3
A210111000024 Bolt .....	2-83, 2-125, 2-135, 2-137, 2-147, 2-165, 2-173, 2-281
A210111000026 Bolt .....	2-143
A210111000055 Bolt .....	3-7
A210111000056 Bolt .....	3-7

A210111000079 Bolt	2-151, 5-3
A210111000082 Bolt	2-281
A210111000088 Bolt	5-5
A210111000089 Bolt	3-7
A210111000090 Bolt	2-181
A210111000092 Bolt	2-3, 2-177
A210111000095 Bolt	3-25
A210111000097 Bolt	2-17
A210111000098 Bolt	2-73, 2-281
A210111000106 Bolt	3-7
A210111000195 Bolt	2-151
A210111000197 Bolt	2-125, 2-135, 2-137, 2-147, 2-171, 2-279, 3-7
A210111000202 Bolt	2-3, 2-17, 2-143, 2-171, 3-9
A210111000203 Bolt	2-173
A210111000204 Bolt	2-143
A210111000210 Bolt	2-169
A210111000212 Bolt	2-5, 3-25
A210111000240 Bolt	2-125
A210111000263 Bolt	4-3
A210111000293 Bolt	2-179
A210111000301 Bolt	4-31
A210111000323 Bolt	2-169, 2-171, 2-281
A210111000342 Bolt	2-25, 2-101, 2-125, 2-173
A210111000343 Bolt	2-101, 2-113, 2-125, 2-177, 2-281, 5-3
A210111000347 Bolt	3-3
A210111000348 Bolt	3-21
A210113000266 Bolt	2-169
A210114000124 Bolt M12×1.25×25GB5786 Grade 10.9	2-169
A210199000016 Bolt	2-179
A210204000129 Screw	2-181
A210204000131 Screw	2-179
A210204000147 Screw	2-17
A210204000196 Screw	2-179
A210204000203 Screw	2-15, 2-17
A210204000206 Screw	2-15
A210204000215 Screw	2-17, 4-23
A210204000217 Screw	5-5
A210204000220 Screw	2-71, 2-179
A210204000312 Screw	3-19
A210204000313 Screw	2-69, 2-81
A210204000334 Bolt, socket head	2-281
A210204000335 Screw	2-13
A210204000338 Screw	3-19
A210204000339 Screw	2-157, 2-159
A210204000342 Screw	2-81
A210204000345 Screw	2-13
A210204000347 Screw	2-71, 2-179
A210204000354 Screw	2-25
A210204000355 Screw	2-17
A210204000364 Screw	4-21
A210204000455 Screw	3-19
A210204000462 Screw	3-25
A210204000486 Screw	2-73
A210209000015 Screw	4-27
A210209000020 Screw M10×16GB80-00	4-25
A210210000002 Screw	5-5
A210210000030 Screw	5-5
A210264000022 Screw, self-tapping	2-87, 2-89
A210307000014 Nut	2-149, 2-153
A210307000016 Nut	2-179
A210307000017 Nut	2-161, 2-163, 3-35
A210307000025 Nut	2-87, 2-89
A210307000028 Nut	2-135, 2-169, 2-179, 3-5, 4-5, 4-9, 4-11, 4-13, 4-15, 4-17, 4-19
A210307000029 Nut	3-3
A210307000031 Nut	2-171
A210307000036 Nut	2-143, 2-165, 2-173, 5-5

A210307000055 Nut .....	2-169, 2-173
A210308000006 Nut .....	2-87, 2-89
A210313000042 Nut .....	4-7
A210401000013 Washer .....	2-149, 2-153
A210401000017 Washer .....	2-17, 2-181
A210404000003 Washer .....	3-7, 3-9
A210405000004 Washer .....	2-149, 2-153
A210405000006 Washer .....	2-181
A210405000007 Washer .....	2-181, 3-7
A210405000011 Washer .....	2-151, 2-277
A210406000014 Plain washer .....	3-3
A210414000003 Retainer Ring .....	2-133
A210434000008 Washer .....	2-179
A210491000021 Pin .....	4-7
A210491000118 Washer .....	2-5, 2-17, 2-169, 2-179, 3-19, 4-3
A210491000120 Washer .....	2-25, 2-169, 2-173, 2-177, 2-179
A210491000121 Washer .....	2-3, 2-171, 3-25
A210491000122 Washer .....	2-3
A210608000098 O-ring .....	4-29
A210609000080 O-ring .....	4-25
A210609000084 O-ring .....	4-25
A210609000132 O-ring .....	2-93
A210609000133 O-ring .....	2-93
A210609000352 O-ring .....	2-181
A210804000002 Adaptor, Grease .....	2-3, 3-3, 3-7, 4-7, 4-15, 4-17, 4-19
A210855000012 Throat collar .....	2-281
A210855000014 Throat Collar .....	2-281
A220401000334 One-Way Valve .....	2-15
A222100000119 Filter, pilot .....	2-93
A222200000012 Latch, hood .....	3-35
A222200000103 Bonnet Lock .....	2-151
A229900001027 Plate .....	2-87, 2-89
A229900001028 Joystick, rubber cover .....	2-87, 2-89
A229900001345 Clamp .....	2-173
A229900001347 Clamp, Hose .....	2-171
A229900002031 Clamp .....	2-177
A229900002603 Fitting, Elbow, Flange .....	2-17
A229900002860 Door catch 20Y-54-35690 .....	2-113
A229900003104 Clamp .....	2-17
A229900003381 Fitting, Elbow .....	3-19
A229900003759 Clamp, T-bolt .....	2-177
A229900003883 A229900003883 .....	2-109
A229900004825 Liquid Reserve Tank .....	2-173
A229900006446 Joystick, rubber cover .....	2-87, 2-89
A229900010158 Fitting, grease .....	3-17
A229900010160 Pipe connector .....	2-63, 2-71, 2-81, 3-21, 3-23
A230101000247 O-ring 10.9×2.3(JISB2401) .....	3-21, 3-25
A230101000323 seal ring .....	3-5
A230102000054 Elastic pad of radiator SY60.1.3.3-11 .....	2-173
A2399000000065 Nylon belting .....	2-135, 2-281
A241200001217 Key Switch .....	5-5
A241300000059 Fuse Housing .....	5-3
A250100000174 Gauge, sight glass .....	2-25
A260401010021 Extension, socket .....	7-5
A260401010025 Socket .....	7-5
A260401010027 Socket .....	7-5
A260401010029 Socket .....	7-5
A260401010051 Socket 24×12.5GB3390.1 .....	7-5
A260401010062 Socket .....	7-5
A260401010063 Socket .....	7-5
A260401010092 Connecting rod .....	7-5
A260401020004 Wrench, allen .....	7-5
A260401020006 Inner Hex Spanner .....	7-5
A260401020009 Wrench, allen .....	7-5
A260401020010 Wrench, allen .....	7-5
A260401020011 Wrench, Allen 8RGB5356 .....	7-5
A260401030005 Spanner, double-ended .....	7-5

A260401030007 Spanner, double-ended .....	7-5
A260401030028 Double-ended spanner .....	7-5
A260401030031 Double-ended spanner .....	7-5
A260401030100 Wrench, box end .....	7-5
A260401040004 Spanner, adjustable .....	7-5
A260401090010 Wrench ratchet .....	7-5
A290000000155 Toolbox, portable .....	7-5
A290000002193 Cover, Lock, Fuel Tank .....	2-181
A311141609016 Bolt .....	2-3
A313180502003 Screw .....	2-123
A810201011303 Oil return cover .....	2-25
A810312019062 Shim .....	4-9
A810502019056 Setscrew .....	2-133, 2-161, 2-163, 3-35
A820101117029 Cushion .....	2-135
A820101117871 Cover .....	2-3
A820101210709 gasket .....	2-135
A820101210710 gasket .....	2-135
A820101322531 Bracket, lamp .....	4-3
A820101327187 shim .....	2-3
A820101343428 Cover Plate .....	3-7
A820101343429 Shim .....	3-7
A820101343843 Seat connecting .....	2-125
A820102010779 Spacer .....	4-3
A820102010780 Spacer .....	4-3
A820202005473 Clamp, pipe, rubber .....	2-13
A820205000843 Fitting .....	2-7, 2-9, 2-11, 2-15, 2-77, 3-19
A820205000858 Fitting .....	2-3, 3-23, 4-7
A820205000940 Fitting .....	2-63, 2-65, 2-83, 3-21, 3-25
A820205000961 Connector .....	3-21
A820205001061 Sensor, pressure .....	2-71, 2-73, 2-75, 2-81, 2-83
A820205001655 Connector .....	3-21, 3-25
A820205001771 Screw plug .....	2-65
A820205002464 Connector .....	2-15
A820205002466 G1-M30 Connector .....	2-15
A820205002468 Connector .....	2-15
A820208000293 Bushing .....	3-15
A820301015908 Double-threaded Stud .....	2-3
A820601000014 Control indicating board of bulldozing shovel .....	6-7
A820601990926 Decal, warning, fall .....	6-3
A820601990927 Decal, unlock .....	6-7
A820601990928 Oil level label .....	6-7
A820601990961 Decal, instruction, operation .....	6-7
A820601990967 Decal, instruction, seat adjustment .....	6-7
A820601991047 Logo plate of fuel tank .....	6-3
A820601991049 Counterweight warning board .....	6-7
A820606030056 Grommet .....	2-135
A820606030059 Grommet .....	2-135
A820606030112 SY200.1A.5-2 .....	2-101
A820606030364 Gasket .....	2-3
A820606030918 Protective sleeve .....	2-3
A820699000215 Back sponge .....	2-135
A820699001024 Warning sign .....	6-7
A820699001284 Decal, instruction, refrigerant change .....	6-3
A831213035000 Rubber hose .....	2-73, 3-25
A831213050000 Hose AS .....	2-71, 2-83
A831213065000 Hose .....	2-83, 3-23
A880802010064 O-ring .....	4-19
A880802010091 O-ring .....	4-29
A880806030060 Buffering ring .....	4-27
A880808070031 Dust Ring .....	4-27
A880808070035 Dust ring .....	4-25, 4-29
A880899010002 Fitting, Grease .....	4-25, 4-27, 4-29
B210334000012 Nut .....	4-23
B210399000001 Screw plug .....	2-93
B210609000280 O-Ring-34.59×2.62AS568-126 .....	4-27
B210780000004 Flange, Split .....	3-19
B210780000016 Fitting, Tee, L-Shape .....	2-69, 2-77, 3-21



B210780000018 Fitting, Tee .....	2-15
B210780000024 Fitting, Elbow .....	2-69, 2-71, 2-83, 3-21
B210780000025 Fitting, Elbow .....	2-17, 3-19
B210780000029 Fitting, Elbow .....	2-21
B210780000041 Connector, Pipe .....	2-17, 3-19
B210780000043 Connector, Pipe .....	3-19
B210780000070 Fitting, Adapter .....	2-15
B210780000089 Plug .....	4-23
B210780000141 Fitting, Adapter .....	2-21
B210780000164 Screw Plug .....	2-81, 2-83
B210780000170 Fitting, Tee, L-shape .....	2-71, 2-73, 2-75, 2-77, 2-81, 2-83, 3-23
	23
B210780000172 Fitting .....	2-81
B210780000174 Connector, pipe .....	2-73
B210780000176 Fitting, Adapter .....	2-63, 2-65, 2-67, 2-75, 2-77, 2-81, 2-83
B210780000179 Fitting, Adapter .....	2-19, 2-69, 2-77
B210780000180 Connector, Pipe .....	2-71, 2-83
B210780000228 Fitting, adapter .....	2-71, 2-73, 3-21
B210780000244 Flange, Split .....	2-17, 3-19
B210780000418 Fitting, Elbow .....	2-63, 2-65, 2-67, 2-71, 2-73, 2-75, 2-77, 2-81, 2-83, 3-21, 3-25
B210780000421 Fitting, Adapter .....	2-21
B210780000626 Connector, pipe .....	2-21
B210780000629 Reducer Tube Adaptor With Swivel Nut .....	2-21
B210780000824 Stud Straight Connector .....	2-19
B210780000827 Connector, pipe .....	2-71, 3-21
B210780000896 Screw plug .....	2-17
B210780000979 Connector, pipe .....	2-71, 2-77, 2-81, 2-83
B210780001045 Fitting .....	2-71, 2-73, 2-75, 2-81, 2-83
B210780001241 Fitting, Elbow .....	2-17
B210780001347 Connector, pipe .....	2-17
B210780001384 Screw plug .....	2-21
B220401000848 Pilot-control Valve .....	2-67
B222100000201 Fuel Filter (Excavator) .....	2-181
B222100000593 Main cartridge of air cleaner .....	7-3
B229900000265 Mechanical Suspension Driver seat .....	2-125
B229900000701 Spacer .....	3-13
B229900000702 Spacer .....	3-13
B229900001613 Joystick , left .....	2-87
B229900001614 Joystick, right .....	2-89
B229900003909 Sensor adaptor of air cleaner .....	2-177
B229900005731 Reducer assembly .....	2-15
B230101000039 O-ring .....	2-25
B230101000047 O-ring .....	2-63, 2-65, 2-83, 3-21, 3-25
B230101000049 O-ring .....	2-15, 2-71, 2-73, 2-83, 3-21, 3-23, 3-25
B230101000050 O-ring .....	2-15
B230101000090 O-Ring .....	2-7, 2-9, 2-11, 2-15, 2-25, 2-69, 2-77, 3-19, 3-21, 3-23, 4-21, 4-23
B230101000223 Ring, seal .....	3-11, 3-13
B230101000356 O-ring .....	2-25
B230101000366 O-ring .....	2-17
B230101000457 O-ring .....	2-181
B230101000614 O-ring .....	2-25
B230101000672 O-ring .....	4-25
B230101001118 Dust Ring .....	4-3
B230101001119 Dust Ring .....	4-7, 4-15, 4-17, 4-19
B230101002164 Dust ring .....	4-25, 4-29
B230101002165 Seal ring .....	4-25, 4-29
B230102000023 Spacer .....	3-13
B230103000074 Hy hose 1SN6-DKOL-DKOL90-1600Q/SY1102 .....	3-23
B230103000316 Rubber hose .....	2-69
B230103000353 Rubber hose .....	2-9
B230103000808 Hose .....	4-7
B230103000817 Hose Assembly .....	2-77
B230103000841 Rubber Hose .....	2-77
B230103000858 Rubber Hose .....	2-7
B230103000874 Hose .....	3-21

B230103000876 Rubber hose .....	2-83
B230103000977 Hose AS .....	2-3
B230103000993 Hose .....	3-21
B230103001114 Hose Assembly .....	3-25
B230103001169 Rubber Hose .....	2-15
B230103001359 Hy hose 1SN6-DKOL-DKOL90-1000Q/SY1102 .....	2-81
B230103001444 Hose .....	2-15
B230103001744 Rubber hose .....	2-69
B230103001883 Rubber hose .....	2-17
B230103002290 Tube .....	2-71
B230103002302 Rubber Hose .....	3-21
B230103002345 Rubber hose .....	2-71
B230103002569 Hose .....	2-63
B230103002708 Hose .....	2-63
B230103003277 Hose Assembly .....	2-77
B230103003719 Rubber Hose 2SN12-DKOL-DKOL90-2550 .....	2-13
B230103004133 Hose, rubber .....	3-25
B230103004570 Hose .....	2-77
B230103004802 Hy hose 1SN12-DKOL-DKOL90-1650Q/SY1102 .....	2-17
B230103004830 Hose .....	2-11
B230103004949 Rubber Hose .....	2-77
B230103006850 Rubber hose .....	3-23
B230103007050 Hose .....	3-23
B230103007052 Hose .....	3-21
B230103008479 Hose assembly .....	2-63
B230103008533 rubber hose 2SN6-DKOL-DKOL90-2400Q/SY11 .....	2-75
B241000000022 Receptacle,Power .....	5-3
B242200000026 Storage Battery .....	5-3
B260401090024 Spanner, belt .....	7-5
B260409000015 High pressure grease gun .....	7-5
SSY004575188 Operation and maintenance handbook of excavator .....	7-3
SSY004597127 Movable Arm Assembly .....	4-3
SSY004729739 Bucket .....	3-15
SSY004737772 Bulldozing shovel assem .....	3-5



### **Белгород**

Белгородский р-н, п. Новосадовый,  
ул. Перспективная, д.11

### **Волгоград**

Ангарская 178, 2 этаж, каб.6

### **Воронеж**

ул. Дорожная, д. 86

### **Краснодар**

Тахтамукайский район,  
пгт. Яблоновский, ул. Ленина, д.39А, оф.201

### **Липецк**

ул. Ковалева, д 123 В

### **Минеральные Воды**

ул. Советская, д. 55

### **Москва**

ул. Соколово-Мещерская, д.25, офис 304А/Б

### **Республика Крым**

г. Симферополь Московское шоссе, 11-й километр, литД, этаж 1

### **Ростов-на-Дону**

г. Батайск, Восточное шоссе, 6Д

### **Самара**

Московское шоссе 20 км (поселок Мехзавод),  
строение 33, офис 201а

### **Саратов**

1-й Усть-Курдюмский проезд, д. 2